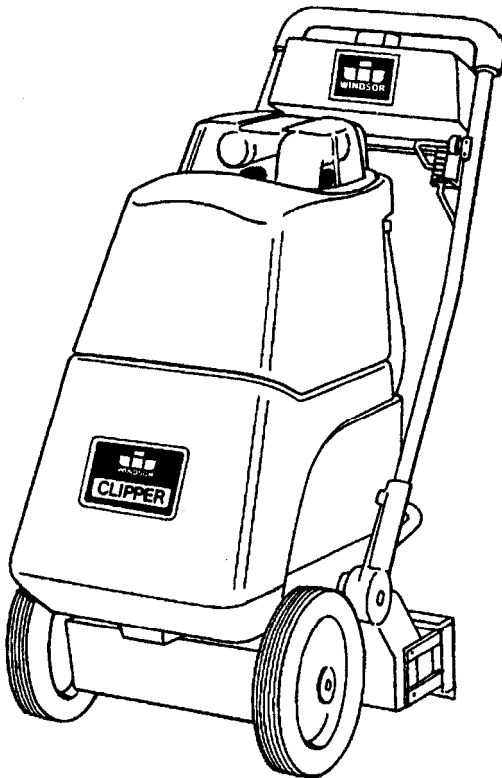


CLIPPER

CARPET EXTRACTOR



Owner's Guide



**MODELS: CLP
CLP-J**

Contents:

2. *Safety Instructions*
3. *Grounding Instructions*
4. *Operating the Extractor*
5. *Operations & Maintenance*
6. *Service*
7. *Wiring Diagrams*
8. *Vac and Pump Assembly*
10. *Brush Housing & Drive Assembly*
11. *Handle w/ Controls Assembly*
14. *Tank Assembly*
- *Warranty*

QUEST ... for Continuous Improvement.
Windsor's Quality Management System is Certified ISO 9001.



IMPORTANT SAFETY INSTRUCTIONS

When using an electrical appliance, basic precaution must always be followed, including the following:

READ ALL INSTRUCTIONS BEFORE USING THIS MACHINE.

This machine is for commercial use.



WARNING: To reduce the risk of fire, electric shock, or injury:

1. **Do not** operate without filters (dry or wet) in place.
2. **Use** only as described in this manual. Use only manufacturer's recommended attachments.
3. **Use** indoors only. **Do not** use outdoors and do not expose to rain.
4. Machine can cause a fire when operating near flammable vapors or materials. **Do not** operate this machine near flammable fluids, dust or vapors.
5. **Do not** pick up flammable fluids, dust or vapors.
6. **Do not** vacuum anything that is burning or smoking, such as cigarettes, matches, or hot ashes.
7. **Do not** handle the plug or machine with wet hands.
8. **Do not** leave the machine unattended. Unplug machine from outlet when in use and before servicing.
9. **Do not** leave the machine unattended. Unplug machine from outlet when not in use and before servicing.
10. **Do not** unplug machine by pulling on cord. To unplug, grasp the plug, not the cord.
11. **Do not** use with damaged cord or plug. Follow all instructions in this manual concerning grounding the machine.
12. If the machine is **not working properly**, has been dropped, damaged, left outdoors, or cropped into water, return it to an Authorized service center.
13. **Do not** pull or carry by cord, use cord as a handle, close a door on cord, or pull cord around sharp edges or corners.
14. **Do not** pull/run machine over cord. **Keep** cord away from heated surfaces.
15. **Do not** allow to be used as a toy. **Close attention** is necessary when used by or near children.
16. **Do not** operate machine with any openings blocked. Keep openings free of debris that may reduce airflow.
17. **Keep** hair, loose clothing, fingers, and all parts of the body away from openings and moving parts.
18. **Use** extra caution when cleaning on stairs,
19. **Do not** use machine as a step.
20. Connect to a **properly** grounded outlet. See Grounding Instructions.
21. **Maintenance and repairs must be done by qualified personnel.**
22. Rotating fan blades inside the cover. Before opening cover, switch off machine. Wait until the fan/brush stops completely or dust and debris may be ejected.

SAVE THESE INSTRUCTIONS

INSPECTION

Carefully unpack and inspect your extractor for shipping damage. Each unit is operated and thoroughly inspected before shipping, and any damage is the responsibility of the carrier, who should be notified immediately.

ELECTRICAL

This extractor operates on a standard 15 amp 115 volt AC circuit. * Voltages below 105 volts or above 125 volts could cause serious damage to motors. Wiring diagram is mounted inside handle control panel of machine. * Special voltage models available.



WARNING: To avoid electric shock:

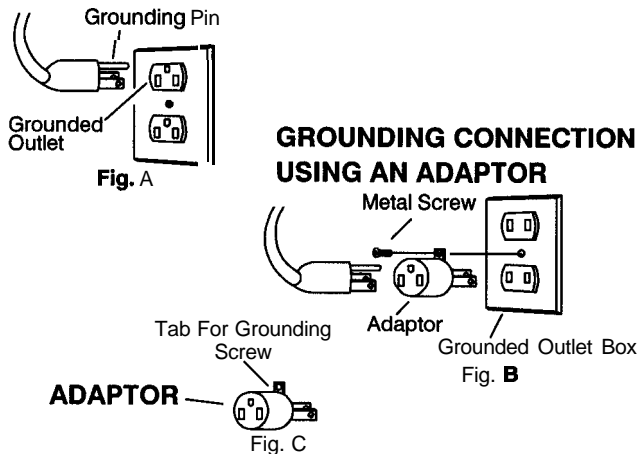
1. Use indoors only.
2. To reduce risk of fire, do not use volatile substances.
3. Use only cleaners intended for carpet application.

GROUNDING INSTRUCTIONS:

This appliance must be grounded. If it should malfunction or break down, grounding provides a path of least resistance for electric current to reduce the risk of electric shock. This appliance is equipped with a cord having an equipment-grounding conductor and grounding plug. The plug must be inserted into an appropriate outlet that is properly installed and grounded in accordance with all local codes and ordinances.

This appliance is for use on a nominal 120-volt circuit, and has a grounded plug that looks like the plug in "Fig. A". A temporary adaptor that looks like the adaptor in "Fig. C" may be used to connect this plug to a 2-pole receptacle as shown in "Fig. B", if a properly grounded outlet is not available. The temporary adaptor should be used only until a properly grounded outlet (Fig. A) can be installed by a qualified electrician. The green colored rigid ear, lug, or the like extending from the adaptor must be connected to a permanent ground such as a properly grounded outlet box cover. Whenever the adaptor is used, it must be held in place by a metal screw.

PROPER GROUNDING CONNECTION



NOTE: In Canada, the use of a temporary adaptor is not permitted by the Canadian Electrical Code

NOTE: Au Canada, l'utilisation d'un adaptateur temporaire n'est pas autorisée par le Code canadien de l'électricité.

EXTENSION CORDS

If an extension cord is used, the wire size must be at least one size larger than the power cord on the machine: The machine is equipped with a 25 ft. 16/3 power cord. **Do not exceed the 50 ft. cord limit.**

WARNING: Improper connection of the equipment-grounding conductor can result in a risk of electric shock. Check with a qualified electrician or service person if you are in doubt as to whether the outlet is properly grounded. Do not modify the plug provided with the appliance - if it will not fit the outlet, have a proper outlet installed by a qualified electrician.

FILLING THE CLIPPER

1. Remove clear dome from upper tank. Do **not** remove the two vacuum hoses. *NOTE: Dome can be set securely between handle uprights when the handle is in operating position.*
2. Lift upper recovery tank from machine and set aside.
3. Use a clean bucket to fill solution tank with hot water. Add a non foaming concentrate for use in hot water extractors at the proportions noted on the container. *NOTE: If powdered soap is used, premix with hot water before filling solution tank.*
4. Reinstall recovery tank and dome. Make sure hoses are snug in the dome.

CAUTION:

To avoid possible distortion of polyethylene solution/recovery tanks, **DO NOT USE WATER TEMPERATURE THAT EXCEEDS 140° F (60° C).**

NOTE: Make sure dome is seated correctly to ensure proper vacuum seal.

CHEMICALS

CAUTION:

Use only the suitable chemicals listed below. Using incompatible chemicals will damage the machine. Damages of this type are not covered under warranty. Carefully read ingredients on manufacturer's label before using any product in this machine.

SUITABLE CHEMICALS

Alkalis
Clorox II Bleach*
Defoaming Agents
Detergents
Hydroxides
Oxygen Bleaches
Soaps
Sta- Puf Fabric Softener*
Vinegar
White Monday Bleach*

INCOMPATIBLE CHEMICALS

Aldehydes
Aromatic Hydrocarbons
Butyls
Carbon Tetrachloride
Clorox*
Chlorinated Bleaches
Chlorinated Hydrocarbons
D-Limonene
Lysol*
Methyls (MEK)
Perchloroethylene(perc)
Phenols
Trichloroethylene

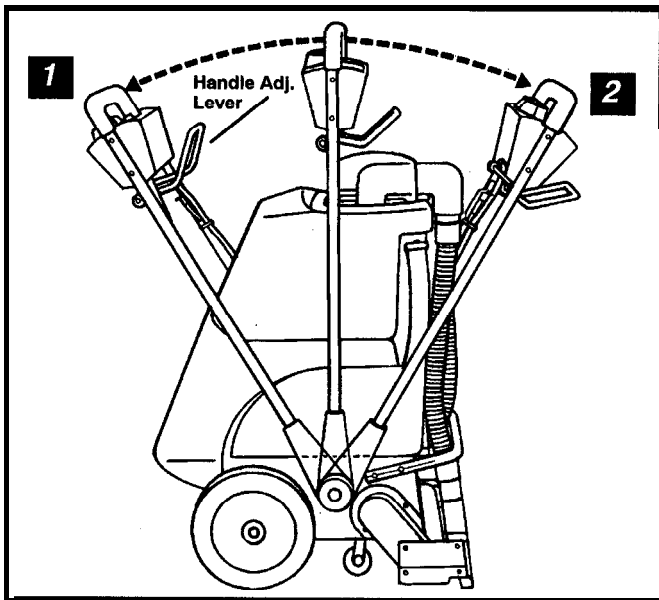
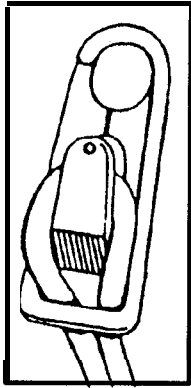
* Registered Trademark

OPERATING THE CLIPPER

NOTE: Vacuum the carpet and make sure it is cleared of surface debris before cleaning with the CLIPPER.

NOTE: Attach strain relief/cord retainer to the power cord.

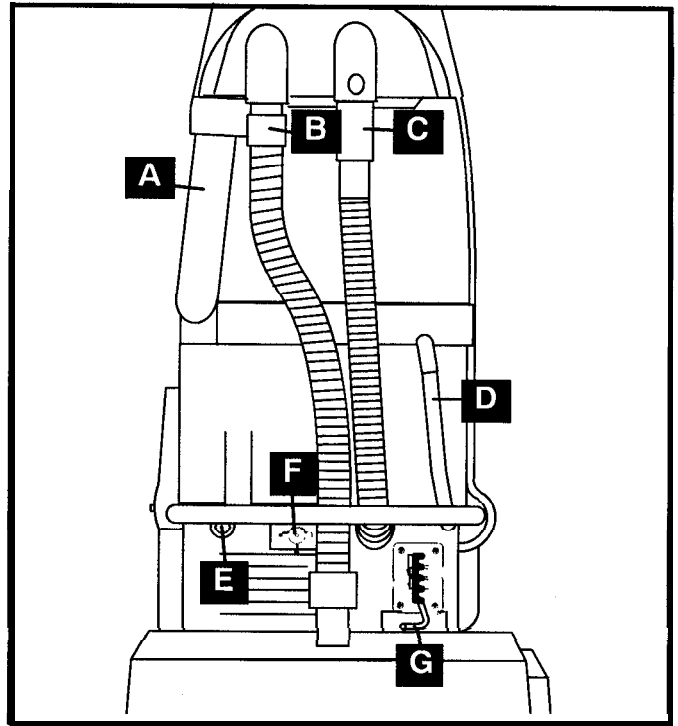
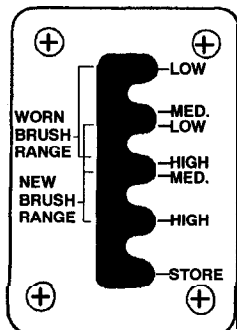
1. Make a loop in power cord approximately 12" from twist lock receptacle end.
2. Slide cord loop through slot in retainer arm. Pull slack cord back through slot to secure. Attach retainer to handle.
3. The CLIPPER can be operated in either direction. For smaller areas operate the machine by pulling rearward. **1**



For larger unobstructed areas, reverse the handle and use the machine's brush assisted propelling motion. **1**

4. Adjust brush to proper cleaning position by using lever located at lower back of the motor housing. Start at No. 1 "new brush" (black) position. If more carpet pile agitation is desired, lower brush setting one position at a time. (Fig. 1)

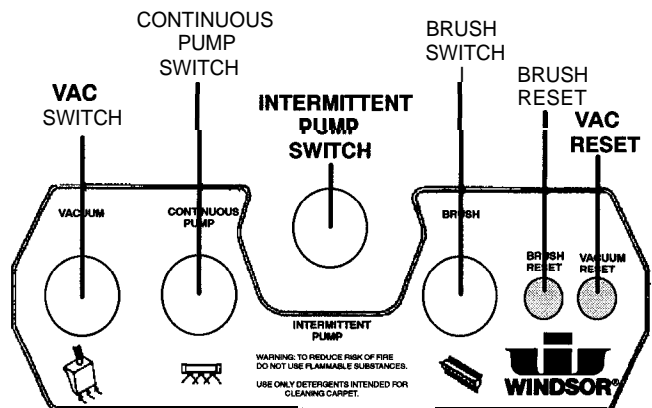
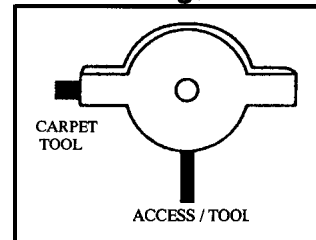
Fig. 1



- A Recovery tank drain hose
- B Vacuum recovery hose
- C Vacuum hose
- D Solution tank drain hose
- E Auxiliary tool outlet nipple
- F Solution directional
- G Brush height adjustment lever

5. Check to be sure solution directional valve is set on "Carpet Spray" position. (Fig. 3)

Fig. 3



OPERATING THE CLIPPER (Cont.)

NOTE:

1. Starting the machine with dry brush resting on the carpet may trip brush circuit breaker.
2. The vacuum motor is also protected by a circuit breaker. The breaker will only trip under conditions of abuse or faulty vac motor.
7. Dispense solution by using either the “**Continuous Flow**” switch for large, open areas or the “**Intermittent Solution**” button for cleaning in smaller, more confined areas. Walking backwards, move the machine over the area to be cleaned. The machine’s brush assistance should allow the unit to be moved
8. As you work, check to see if there is a foam build up in the recovery bucket, If there is, turn the machine off and add the recommended amount of defoaming compound to the recovery tank. **Never put defoamer in solution tank!**

WARNING: An overflow of foam into the vacuum intake can damage the vac motor. Always be aware of the waste water level in the recovery tank. When is about three-quarters full, turn off the machine, remove the dome and lift off the recovery tank to empty. The tank has a convenient carrying handle grip on the underside.

9. When the machine runs out of cleaning solution (this can be easily detected by streaking and incomplete cleaning of the carpet, or by looking at spray manifold from side of machine) turn off the machine, remove the dome and recovery bucket, and re-fill the clean solution tank. Replace the recovery tank and dome. Turn the machine back on and continue cleaning.
10. Ventilate area after carpet has been cleaned. Keep children and pets away and do not walk on carpet until it is thoroughly dry.

OPERATING THE CLIPPER WITH ACCESSORY TOOLS

The CLIPPER is easily adapted for use with the following Windsor accessory tools: **DHT-UPH3-SW-SFW-SW/PRO**

1. Turn solution valve to “**Accessory Tool**” position.
2. Remove recovery hose from dome and insert vacuum hose for accessory tool in its place.
3. Attach solution hose from accessory tool to brass solution nipple on lower back of chassis.
4. Make sure that solution tank has cleaning solution and that recovery tank and dome are in place and ready for operation.
5. Switch on CLIPPER’s **Vacuum and Continuous switches only**. Use accessory tools as with standard extractor.

WARNING: Do not switch on brush switch when operating the machine with accessory tools. Carpet damage may occur.

6. Make sure that the solution valve is returned to the “**Carpet Spray**” position before using the machine again for self-contained carpet cleaning.

NOTE: In the following instructions all letter designations, IE: **A** will be shown in the upcoming graphical examples in this guide.

MAINTENANCE INSTRUCTIONS FOR CLIPPER

WARNING: Remove machine power cord from electrical source before making any adjustments or repairs to the machine. **Only qualified maintenance personnel are to perform repairs.**

To adjust handle locking lever

1. Loosen lock nut **A**. Disconnect ball joint **B** and adjust control cable as needed. (Page 9)

VAC SHOE

1. Remove allen screws **C** holding parallel arms. Repair or replace vac shoe or spacers as needed.

NOTE: When reinstalling vac shoe, make sure the wave washers are floating and not pinched between parallel arm spacers and vac shoe casting.

BRUSH ASSEMBLY / BEARING

1. Remove belt guard **D** and “ROLL belt off motor pulley.
2. Tilt machine back on handle and remove brush pulley guard.
3. Remove shaft retaining screws **E** and washers from each end of brush shaft. Replace brush or bearings as required.

TRANSPORT WHEELS

1. Remove screw and hub cap **F** and slide wheel off axle.. Before reinstalling wheel, clean axle and apply light coating of silicone lubricant.

SUPPORT ROLLER

1. Tilt machine back on handle. Loosen lock nuts on each end of roller axle **G** and remove roller assembly. Repair as required. Before reinstalling, clean axle and apply a light coating of silicone lubricant.

SWITCH CONTROL PANEL

1. Remove screws holding rear ABS panel. **H** Repair or replace switches as required.

CAUTION: When replacing switches, make sure wire leads are connected to proper terminals. Refer to wiring diagram located on back panel (or owners manual) for assistance.

TO ACCESS VAC, PUMP AND BRUSH MOTOR

1. Remove solution from both tanks.
2. Remove dome and recovery tank.
3. Tilt machine back on handle and remove (4) nuts **I** holding solution tank to base.
4. Return machine to upright position. Raise tank and remove solution inlet hose from tank and lay tank aside..

VAC MOTOR

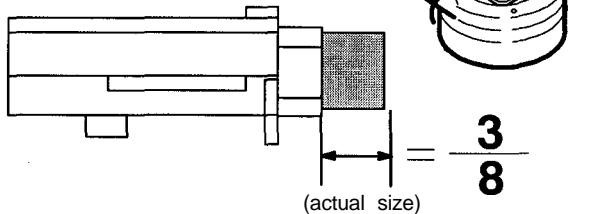
1. Remove vacuum and exhaust hoses from vac motor.
2. Tilt machine back on handle. Remove (2) bolts holding vac motor **J** mounting bracket to base. Return machine to upright position. Disconnect wire leads and remove vac motor

VAC MOTOR (cont.)

- To inspect motor brushes, remove brush holder assembly. Brushes should be replaced when worn to 3/8 inch or after about 750 operating hours. After second brush replacement, the armature commutator should be checked for pitting and concentricity. Vac motors can be repaired but such repairs should be made by a qualified motor repair shop.

WARNING:

The green ground wire must attach the motor to the power cord for safe operation. See wiring diagram.



PUMP ASSEMBLY

- Disconnect pump motor leads. Remove (4) screws holding pump to chassis **K**. Disconnect solution hoses from pump head and lift out pump. Refer to pump drawing for replacement parts.

CAUTION: When replacing hosebarbs on pump head- DO NOT OVERTIGHTEN- as this could crack intake and exhaust ports in the pump head.

WARNING: The internal solution hoses are encased in an outer hose to protect the electrical component parts in the unlikely event a solution hose should rupture. Replace hoses exactly as originally supplied.

SOLUTION VALVE

- Remove recovery and solution tanks.
- Remove auxiliary solution outlet nipple.
- Remove solution valve lever..
- Remove (2) screws holding valve clamp to chassis. **L**
- Lift out valve asm, and disconnect solution hoses. Repair as required.

VAC EXHAUST MUFFLER

- Remove exhaust hose from muffler elbow.
- Tilt machine back on handle. Remove exhaust deflector and hex retaining nut **M** from PVC muffler. Repair or replace as required.

MANIFOLD ASSEMBLY

- Remove pump from chassis to access solution outlet hose..
- Remove hose from hosebarb on manifold.
- Tilt machine back on handle. Remove (2) screws holding manifold to chassis **N**. Remove manifold and repair as required.

SPRAY JETS

- To prevent clogged jets due to alkaline build-up, the spray system should be flushed with 1 to 2 gallons of clean hot water at the end of each day. The machine is equipped with "Quick Change" jets that can be easily removed for cleaning. To remove - push jet in and rotate 1/4 turn. Wash jets and blow dry. Do not use pins or wire to remove obstruction as this will change spray pattern. **O**

BRUSH DRIVE MOTOR

- Remove exhaust hose from vac motor.
- Disconnect motor lead wires.
- Move brush adjustment lever to **lowest** position and tilt machine back on handle.
- Remove (4) motor retaining bolts **P**
- Return machine to upright position and lift out motor. Repair or replace as required.

NOTE: When reinstalling motor, make sure motor pulley is in line with brush pulley. Use straight edge for alignment if needed. After assembly run machine on carpet to check for belt slippage - move rearward to tighten belt.

DAILY / REGULAR MAINTENANCE.

- Empty unused cleaning solution using clear plastic hose located on lower back of solution tank.
- Inspect and clean filter screen in solution tank.
- Flush pumping system with 1 or 2 gallons of clean, hot water.
- After each use, rinse tank with fresh water. Periodically inspect the recovery tank and decontaminate if necessary, using a Hospital Grade Virucide or a 1-10 bleach to water solution. Waste water should be disposed of properly.

Rinse recovery tank with clean water.

- Check for and remove any lint or debris around brush and vac shoe.
- Check spray jets and clean solenoid valve if required.

NOTE: Always store machine with brush in "Store" position.

PERIODIC MAINTENANCE

Twice a month, flush a white vinegar solution (One quart vinegar to two gallons of water) or anti-browning solution (mixed as directed) through the extractor. This will prevent build-up of alkaline residue in the system.

If spray jets become clogged, remove the spray tips, wash them thoroughly, and blow dry.

NOTE: Do not use pins, wire, etc. to clean nozzles as this could destroy spray pattern.

If spray jets drip after the pump is turned off, solenoid valve may need to be cleaned.

Apply silicone lubricant to solution nipple.

Periodically inspect all hoses, electrical cables, filters and connections on your machine. Frayed or cracked hoses should be repaired or replaced to eliminate vacuum or solution pressure loss. Because the electrical cable must be well insulated and cable connector screws kept tight, If the cable insulation is broken or frayed, repair or replace it immediately. Don't take chances with electrical fire or shock.

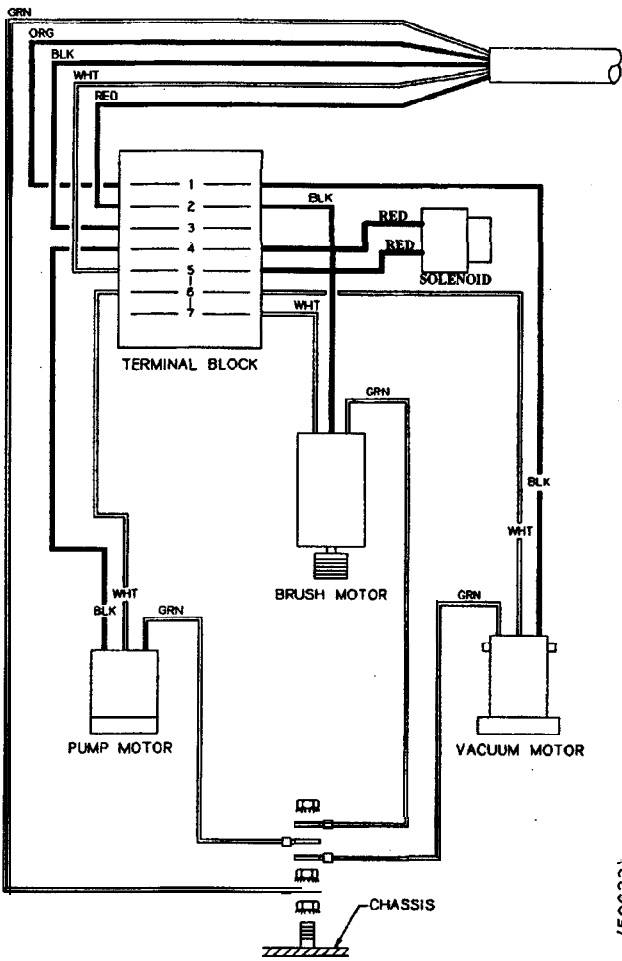
PROTECT FROM FREEZING

If it becomes necessary to store in temperatures that could drop below 40 F, the pumping system, hoses and valves must be protected from freezing with a methyl hydrate window washer antifreeze solution. Do **not** use ethylene glycol or cooling system antifreezes.

- Add a gallon or two of window washer antifreeze to the supply tank, turn on pump switch and spray until the antifreeze solution fills the solution lines.
- Drain out the leftover antifreeze from the supply tank. Always allow the unit to reach room temperatures before filling with hot water or operating.

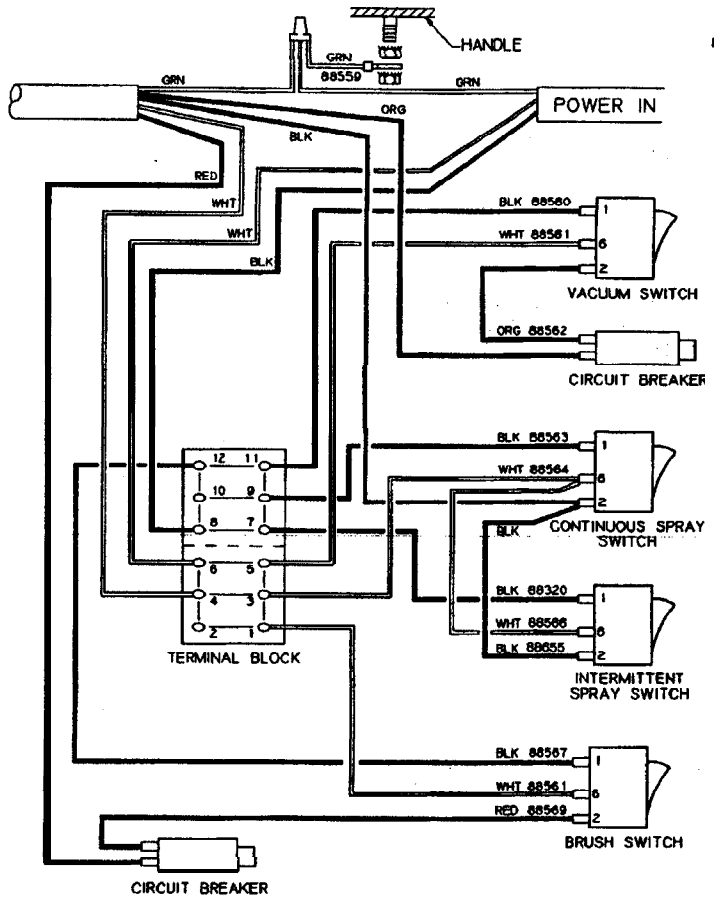
110/115 Volt Wiring Diagram

CONTROL PANEL →



(50623)

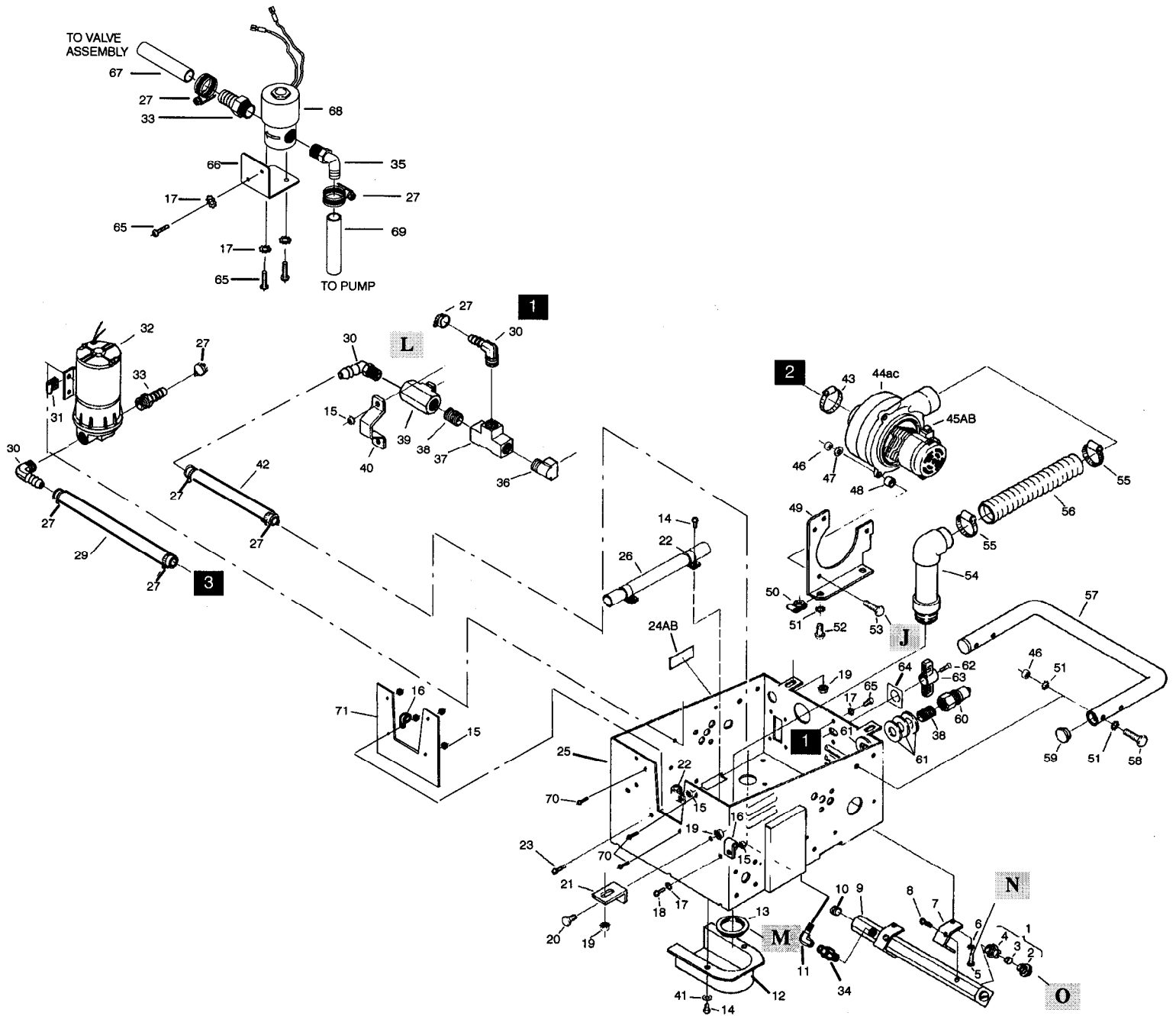
← CHASSIS



SWITCH
REAR VIEW

1	
2	
6	

VAC & PUMP ASSEMBLY





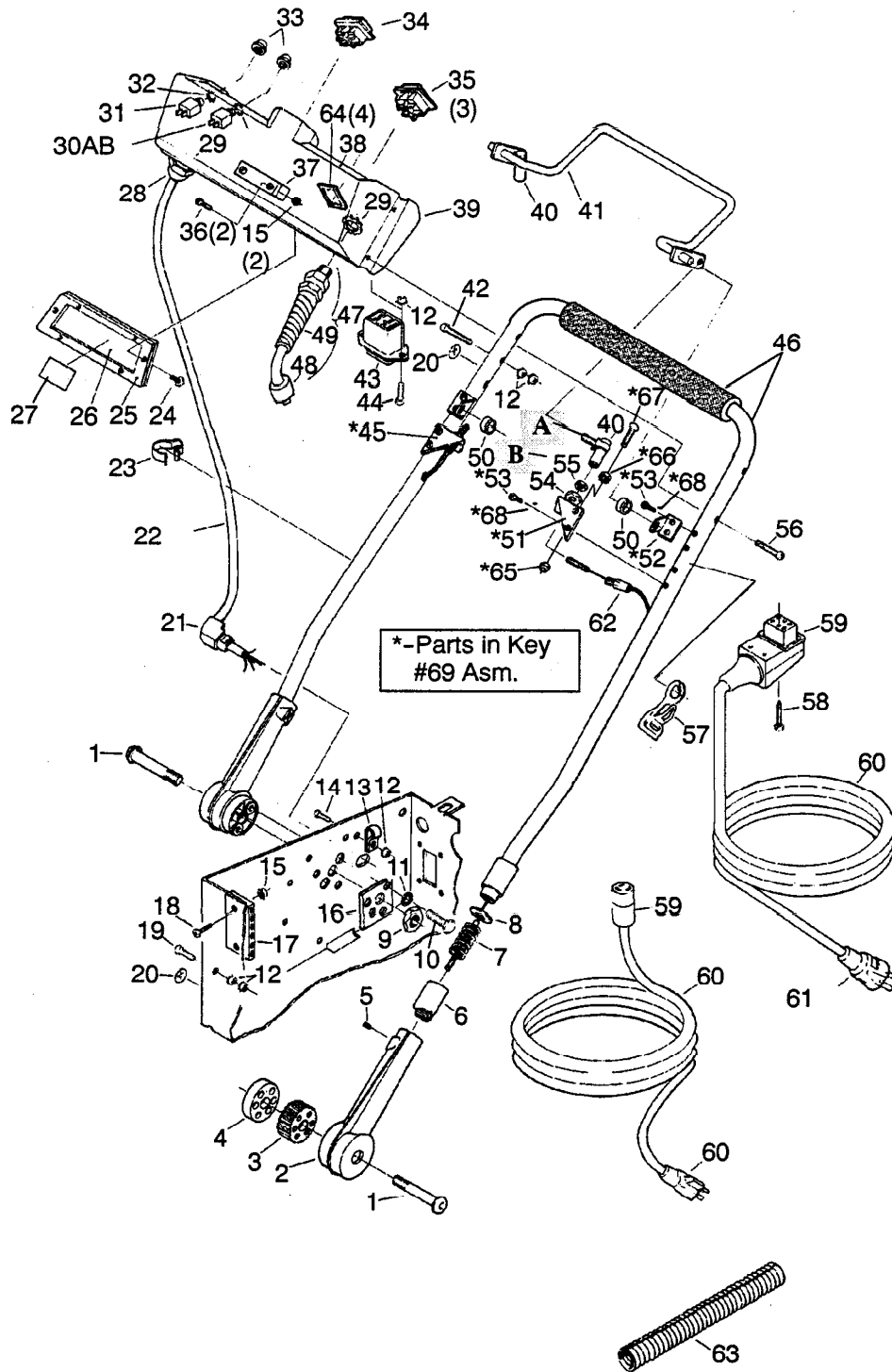
VAC & PUMP ASSEMBLY Parts List

Ref	Part No.	Qty	Description	Serial No.		Notes
				From	To	
1	44055		Jet Asm, Brass MiniQuick			
2	44061		Jet 11003, MiniQuick			
3	44051		Jet Seal, MiniQuick			
4	44052		Jet Body, MiniQuick			
5	70085		Scr, 1/4-20 x 1/2 PHMS			
6	87025		Washer, 1/4 Star ss			
7	14523		Bracket, Manifold			
8	70114		Scr, #10 x 3/4 Polyfast			
9	54094		Manifold, Inj. Mold - ABS			
10	66095		Plug, 1/8 NPT Slotted			
11	40038		Hosebarb, 1/4 MPT x 3/8" 45 d			
12	29135		Deflector, Vac Exhaust			
13	57039		Nut, 1.5 NPT Flange			
14	70323		Scr, #10-32 x 1/4 PHTF			
15	57104		Nut, #10-32 x w/ Star Washer			
16	20004		Clamp, 1/4 Plastic Cable			
17	87016		Washer, #10 Star			
18	70088		Scr, #10-32 x 1/2 PHMS			
19	57105		Nut, 1/4-20 w/ Star Washer			
20	70020		Scr, 1/4-20 x 1/2 HHMS			
21	14644		Bracket, Tank Mounting			
22	20008		Clamp, 5/8 Nylon			
23	70066		Scr, 10-32 x 3/4 PPHMS SS			
24A	50178		Label, Protect From Freezing			
24B	50556		Label, Protect/Freezing JAPAN			
25	34179		Frame, CLP			
26	39364		Hose, 1/2 ID Clear x 10"			
27	20042		Clamp, 3/8 Hose			
28			OPEN			
29	39241		Hose, 1/2 Wire bound x 10"	442941		
30	40042		Hosebarb, 1/4 MPT x 1/2 90D	442941		
31	57081		Nut, 10-32 Captive J			
32	65154		Pump, 115V 50 psi			
33	40014		Hosebarb, 1/4 MPT x 3/8			
34	04008		Adapter, 1/4 MPT x 1/4 FPT Brass			
35	40033		Hosebarb, 1/4 MPT x 3/8 90D			
36	31016		Elbow, 1/4 NPT Street			
37	78156		Tee, 1/4 FPT			
38	56014		Nipple, 1/4 Close			
39	84056		Valve, 1/4 FPT Bal			
40	14454		Bracket, Valve			
41	87018		Washer, #10 x 9/16 OD			
42	39280		Hose, 3/8" Rubber x 8"			
43	20063		Clamp, 1.75 Worm Gear			
44A	53134		Vac Motor, 115V 5.7 3 stage			
44C	53183		Vac Motor, 100V 5.7 3 stage			
45A	14445		Brush Set, 115V 5.7 3 stage			
45E	14680		Brush Set, 100V 5.7 HP Vac motor			
46	57047		Nut, 1/4-20 Nylock			
47	87013		Washer, 1/4 ID x 5/8 OD			
48	73215		Spacer, 3/8 OD x 1/4 lg. nylon			
49	14642		Bracket, Vac Motor Mounting			
50	57087		Nut, 1/4-20 Captive J			
51	87025		Washer, 1/4 Star			
52	70011		Scr, 1/4-20 x 5/8 PHMS			
53	70249		Scr, 1/4-20 x 1.25 HHCS pltd			
54	54070		Muffler, Vac Exhaust			
55	20046		Clamp, 2.25 Hose			
56	39231		Hose, Vac Exhaust			
57	38087		Handle, Front Lift			
58	70010		Scr, 1/4-20 x 1 1/2 HHCS			
59	66016		Plug, 7/8 Dress			
60	56012		Nipple, 1/4 FPT QD			
61	87015		Washer, 9/16 ID x 1.06 OD			
62	70091		Scr, 10-24 x 1/2 FHMS			
63	48028		Knob, Yellow Ball Valve			
64	50302		Label, Valve Position			
65	70162		Scr, 10-32 x 3/8 PHMS			
66	140206		Bracket Solenoid			
67	39028		Hose, 3/8 Rubber X 13"			
68	84098		Valve Asm., 115V Solenoid			
69	39487		Hose, 3/8" Rubber X 3"			
70	70088		Scr, 10-32 x 5/8 PPHMS			
71	62753		Plate, Guard CLP Frame			

BRUSH HOUSING & DRIVE ASSEMBLY
Parts List

Ref	Qty.	Part No.	Description	Serial No.		Notes:
				From	To	
1		85028	Vac Shoe			
3		89061	Weight, Vac Shoe			
4		87008	Washer, 1/4 ID x 1.25 OD			
5		87016	Washer, #10 Star			
6		70088	Scr. 10-32 x 1/2 PHMS			
8		41109	Housing, Brush			
9		70562	Scr, 1/4-20 x 5/8 FHCS DL			
10		36043	Guard, Brush Pulley			
11		70434	Scr, 6-32 x 3/8 PHTF			
12		73207	Spacer, Brush			
13		09019	Bearing Brush			
14		03033	Axle, Brush			
15		14219	Brush w/ Pulley			
16		70177	Scr, 10-32 x 1/2 FHMS			
17		36054	Guard, Thread			
18		87074	Washer, 3/8 ID x .010 Wave			
19		05016	Arm, Vac Shoe Parallel			
20		73181	Spacer			
21		70190	Scr, 1/4-20 x 1/2 BHCS			
23		41236	Hubcap, 5/8" Shaft			
24		89114	Wheel, 10"	441539	-	
25		73403	Spacer, Wheel Axle			
26		03073	Axle Asm, Main Wheel			
27		62219	Plate, Deflector			
28		87026	Washer, #6 Star			
29		70309	Scr, 6-32 x 1/4 HHST -F-			
30		62397	Plate, Roller Adjustment			
31		70363	Scr, 10-32 x 3/8 PHTR			
32		57123	Nut, 1/4-20 Captive			
33		87025	Washer, 1/4 Star			
34		70011	Scr, 1/4-20 x 5/8 HHMS			
35A		53093	Motor, Brush 115V			
35B		53154	Motor, Brush 230V			
35C		53165	Motor, Brush 250V			
35D		53173	Motor, Brush 100V			
37		70074	Set Scr, #10-32 x 1/4 KCP			
38		64022	Pulley, Poly-V Belt			
39		11015	Belt, Brush Drive			
40		36044	Guard, Belt			
42		87018	Washer, #10 x 9/16OC			
43		70018	Scr, 1/4-20 x 1 HHMS			
44		73178	Spacer, Roller Bracket			
45		14641	Bracket, Roller			
46		87030	Washer, 3/8ID x 3/4OD Nyl			
47		87013	Washer, 1/4ID x 5/8OD			
48		57047	Nut, 1/4-20 Lock			
49		66073	Pin, 1/16 x 3/4 Cotter			
50		51042	Lever, Roller Adjustment			
51		73040	Spring, Roller Adjustment			
52		34179	Frame, Main			
53		57116	Nut, 6-32 w/ Star Washer			
54		36050	Gusset, Belt Guard			
55		70056	Scr, 6-32 x 1/2 PHMS			
56		70189	Scr, 1/4-20 x 5/16 PHMS			
57		67082	Roller			
58		03027	Axle, Roller			
59		57085	Nut, 3/8-16 Hex Jam			
60		57022	Nut, 3/8-16 Lock			
61		70020	Scr, 1/4-20 x 1/2 HHMS			
62		70015	Scr, 1/4-20 x 3/4 HHMS			
63		70057	Scr, 1/4-20 x 1 PPHMS SS			
64A		88924	Wire Asm, 230/250V Motor			
64B		88551	Wire, 19" grn 18GA 115V			
64C		88552	Wire, 16" wht 18GA 115V			
64D		88553	Wire, 18" blk 18GA 115V			
65		87161	Washer, #6 Flat SAE Pltd			
66		35234	Gasket, CLP Frame Top			

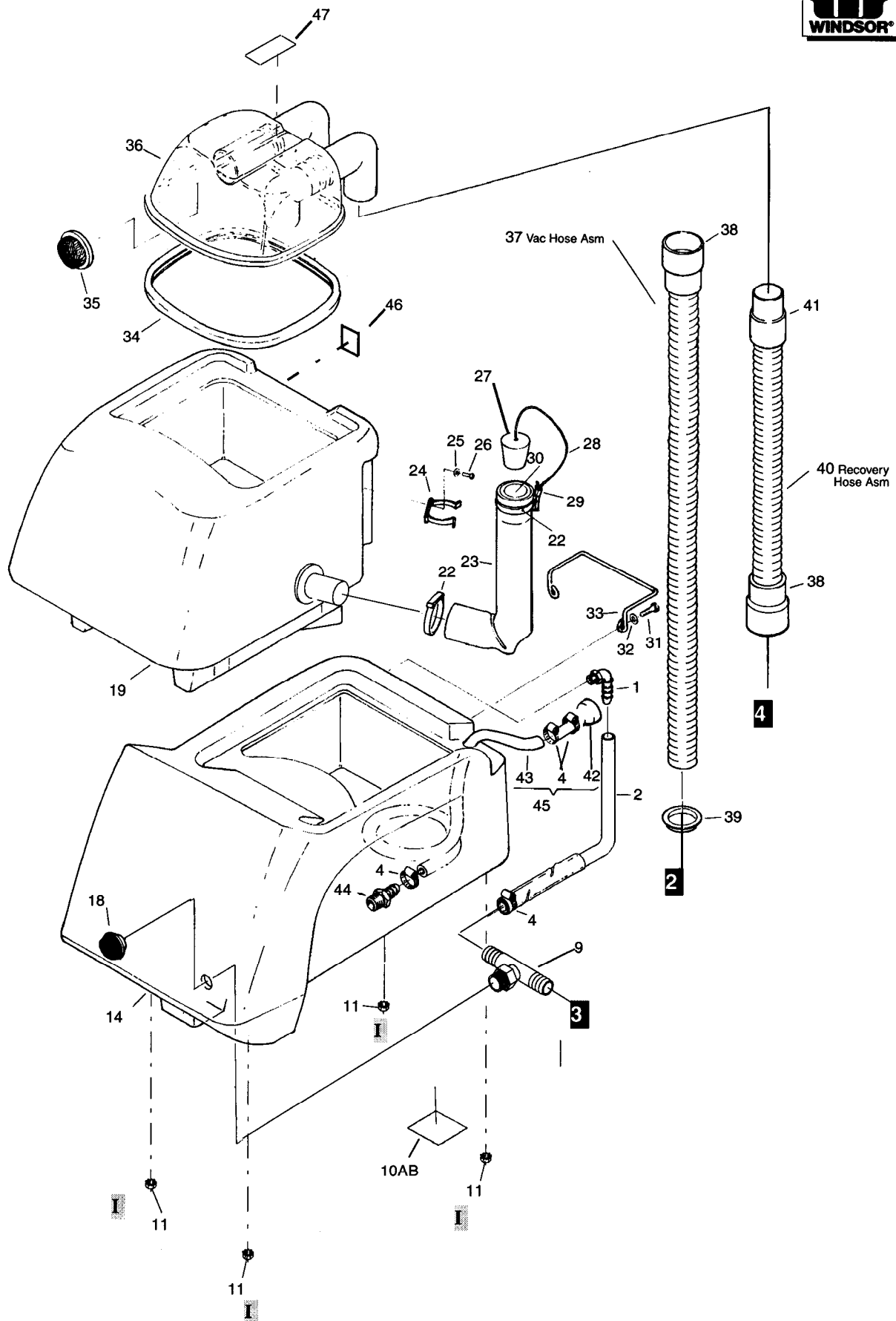
HANDLE CONTROLS ASSEMBLY



HANDLE w/ CONTROLS ASSEMBLY Parts List

Ref	Qty.	Part No.	Description	KEY		PART NO.	DESCRIPTION
				Serial No.	Notes:		
				From	To		
1		70362	Scr, 1/2-13 x 3 BHCS				
2		41181	Housing, Handle Pivot				
3		36081	Gear, Handle Pivot				
4		73399	Spacer, Handle Pivot				
5		70330	Scr, 5/16-18 x 1/2 Set KCP				
6		51078	Lock, Handle Position				
7		73307	Spring, Lock				
8		87086	Washer, M10 x 30				
9		57153	Nut, 1/2-13 Thin Lock				
10		70258	Scr, 5/16-18 x 1.5 HHCS				
11		87067	Washer, 5/16 Int Star				
12		57104	Nut, 10-32 w/Star Washer				
13		20035	Clamp, 7/16 Dia Nylon				
14		70088	Scr, 10-32 x 1/2 PHMS				
15		57106	Nut, 8-32 w/Star Washer				
16		62270	Plate, Backup				
17		14640	Terminal Block, 120V				
18		70374	Scr, 8-32 x 7/8 PHMS Nyl.				
19		70066	Scr, 10-32 x 3/4 PHMS				
20		50279	Label, Ground Symbol				
21		73197	Strain Relief, 90 Degree				
22		88558	Wire Asm, 115V CLP				
23		27371	Clip, Power Cord				
24		70243	Scr, 8-32 x 1/2 PHMS Nyl.				
25		35097	Gasket, Control Panel				
26		62269	Plate, Control Panel Access				
27		50506	Label, 115V Panel Wiring				
28		73195	Strain Relief, 1/2 NPT				
29		57040	Nut, 1/2 NPT Conduit				
30A		14832	Brkr, 6A Circuit (115V Brush)				
30B		14312	Brkr, 7A Circuit (100V Brush)				
31		14700	Brkr, 15A Circuit (115V Vac)				
32		87024	Washer, 3/8 Star				
33		14942	Boot, 3/8 Circuit Breaker				
34		72068	Switch, 115V SPST MOM				
35		72067	Switch, 115V SPDT Rocker				
36		70248	Scr, 8-32 x 1.0 PHMS Nyl.				
37		14022	Terminal Block, 115/230V 6-6				
38		50449	Label, Control Panel				
39		61213	Panel, Control 115V				
40		14643	Ball Joint, 10-32				
41		38161	Handle, Adjustment				
42		70092	Scr, 10-32 x 1.5 PHMS				
43		26032	Receptacle, 230V				
44		70211	Scr, 10-32 x 3/4 PH Nyl.				
45		14613	Brkt, Cable Mounting R.H.				
46		36104	Grip, Clipper Handle x 17"				
47		23506	Cord Asm, 14/3 x 22' YLW				
48		26015	Cord End, Male T/L 115V				
49		73200	Strain Relief, 1/2 NPT Flex				
50		73402	Spacer, Adjustment Handle				
51		14657	Brkt, Cable Mounting R.H.				
52		14612	Brkt, Handle Adjustment				
53		70361	Scr, 10-32 x 1/2 PHTR Pit				
54		57148	Nut, 1/4-28 Jam				
55		57014	Nut, 10-32 Hex				
56		70253	Scr, 10-32 x 1.25 PHMS				
57		73169	Strain Relief, Cord Hook				
58		70198	Scr, #10 x 3/4 PHMS				
59		26009	Cord End, FEM T/L 115V				
60		23086	Cord Asm, 14/3 x 50' 115V				
61		26006	Cord End, 125V 15A NEMA				
62		27361	Cable, CLP Adjust				
63		29149	Conduit, 230V Brush Mtr Wire				
64		27376	Retainer, Clip Switch				
65		57047	Nut, 1/4-20 nyl self-lock				
66		57105	Nut, 1/4-20 hex w/star washer				
67		70459	Scr, 1/4-20 x 2.25 flat carriage				
68		87016	Washer, #10 lock ext. star SS				
69		38257	Handle Asm, CLP				

TANK ASSEMBLY





TANK ASSEMBLY Parts List

Ref Part No.	Qty	Description	Serial N o .		Notes:
			From	To	
1	40027	Hosebarb, 3/8 MPT x 112 90D			
2	39360	Hose, Drain w/sol'n level			
3	-	Open			
4	20072	Clamp, 318 Hose			
5	40042	Hosebarb, 114 MPT x 1/2 90D			
6	04008	Adapter, 1/4 MPT x 1/2 90D			
7	78156	Tee, 114 FPT			
8	40033	Hosebarb, 114 MPT x 318 90D			
9	40068	Hosebarb, 3/8 NPT x 1/2 Tee	442941		
10A	50623	Label, Chassis Wiring 115V			
10B	50676	Label, Chassis Wiring 230V			
11	57105	Nut, 1/4-20 w/Star Washer			
12	-	Open			
13	-	Open			
14	75247	Tank, CLP Solution	442941		
15	-	Open			
16	-	Open			
17	-	Open			
18	73864	Strainer, 3/8 NPT x 60 Mesh	442941		
19	75145	Tank, Recovery			
20	-	OPEN			
21	-	OPEN			
22	20002	Clamp, 2" Nylon Ratchet			
23	39353	Hose, 1.5 x 12" Drain			
24	14520	Clip, Drain Hose			
25	87017	Washer, #8 Flat			
26	70052	Scr, 8-32 x 3/8 PHMS			
27	66152	Plug, Drain Hose			
28	99807	Cord, 1/8 x 12"			
29	34017	Ferrule			
30	40019	Hosebarb, 1.5 MCHD	442941		
31	70011	Scr, 1/4-20 x 5/8 HHMS			
32	87013	Washer, 1/4 Flat			
33	14630	Bracket, Hose Retainer			
34	35060	Gasket, Dome			
35	34140	Filter, Vac Intake 10 Mesh			
36	28034	Dome			
37	39358	Hose Asm, 1.5 Vac x 34" w/cuff			
38	27354	Cuff, Blue SIC Vac Hose			
39	14042	Bushing, 1.63 Snap			
40	39359	Hose Asm, 1.5 Vac x 26" w/cuff s			
41	27079	Cuff, 1.5 White Hose			
42	04071	Adapter, Faucet			
43	39367	Hose, 3/8 Nylobraid x 60"			
44	40023	Hosebarb, 1/2 MPT x 3/8			
45	02130	Fill Hose Asm (#4,42,43,44)			
46	50776	Label, For Safety			
47	50775	Label, Explosion Warning			



LIMITED WARRANTY

Windsor Industries, Inc. warrants new machines against defects in material and workmanship under normal use and service to the original purchaser. The warranty period is subject to the conditions stated below.

3 YEARS FOR PARTS AND 1 YEAR FOR SERVICE LABOR

Exceptions: Rotationally molded polyethylene tanks carry a 6 year parts and 1 year service labor warranty. **VERSAMATIC**® models carry a 3 year warranty on brush motors, vacuum motors, and belts, and a 1 year service labor warranty. **SENSOR**™ models carry a 2 year warranty on vacuum motors and belts, and a 1 year service labor warranty. Extractor brush motors, pump motors, pc boards and electronics, **vac** motors (other than **VERSAMATIC**™ and **SENSOR**™), pumps, and **FLEXSOL**™ diaphragms, all **RADIUS**™, all **ACCESS**™ and **TITAN**™¹ carry a 1 year parts and service labor warranty. Propane equipment has a 1 year parts and service warranty. The **Onan**® engines have a 3 year manufacturers' warranty. The **Honda**® engines have a 2 year manufacturers' warranty. The engine warranty is administered through the engine manufacturer and must be repaired at an authorized service center.

Normal wear items including, but not limited to, belts, brushes, capacitors, carbon brushes, casters, clutches, cords, filters, finishes, gaskets, hoses, light bulbs, rectifiers, switches, squeegees, bearings, pulleys, relays, actuating cables, tires and wheels will be warranted for manufacturing defects for 90 days from the purchase date.

The warranty commences on the purchase date by the original end user from an authorized Windsor Agent, subject to proof of purchase. The Machine Registration Card must be completed and returned immediately at the time of purchase. If proof of purchase cannot be identified, the warranty start date is 90 days after date of sale to an authorized Windsor distributor. Parts replaced or repaired under warranty are guaranteed for the remainder of the original warranty period.

90 DAY WARRANTY EXTENSION AVAILABLE

Upon receipt of the Machine Registration Card, Windsor will extend the warranty period an additional 90 days from the purchase date. Does not include items warranted 90 days for manufacturing defects.

STATED WARRANTIES ARE IN LIEU OF ALL OTHER WARRANTIES, EXPRESSED OR IMPLIED.

Any statutory implied warranties, including any warranty of merchantability or fitness for a particular purpose, are expressly limited to the duration of this written warranty. Windsor will not be liable for any other damages, including but not limited to indirect or special consequential damages arising out of or in connection with the furnishing; performance, use or inability to use the machine. This remedy shall be the exclusive remedy of the buyer.

This warranty shall not apply to: 1. **damage** in transit; 2. **misuse** or abuse (including the use of incompatible or corrosive chemicals or overloading of capacity); 3. failure due to lack of proper maintenance and care (including cleaning); 4. **any** design alterations performed by an organization not authorized or specified by Windsor; 5. **batteries** and chargers. 6. high pressure washing. 7. **electrical** components exposed to moisture.

If difficulty develops during the warranty period, contact the authorized Windsor Agent from whom the product was purchased. Windsor, Inc. may elect to require the return of components to validate a claim. Any defective part to be returned must be shipped freight pre-paid to an authorized Windsor Distributor/Service Center or to the Windsor factory.

USE OF PARTS NOT APPROVED BY WINDSOR, INC. WILL VOID ALL WARRANTIES.

This warranty is valid only for all products sold after July 1, 1995. A product sold before that date shall be covered by the limited Warranty in effect at the date of sale to the original purchaser.



WINDSOR INDUSTRIES, INC., 1351 W. Stanford Ave., Englewood, CO 80110 USA
Phone: 303-762-1800 Fax: 303-762-0817 Internet: www.windsorind.com