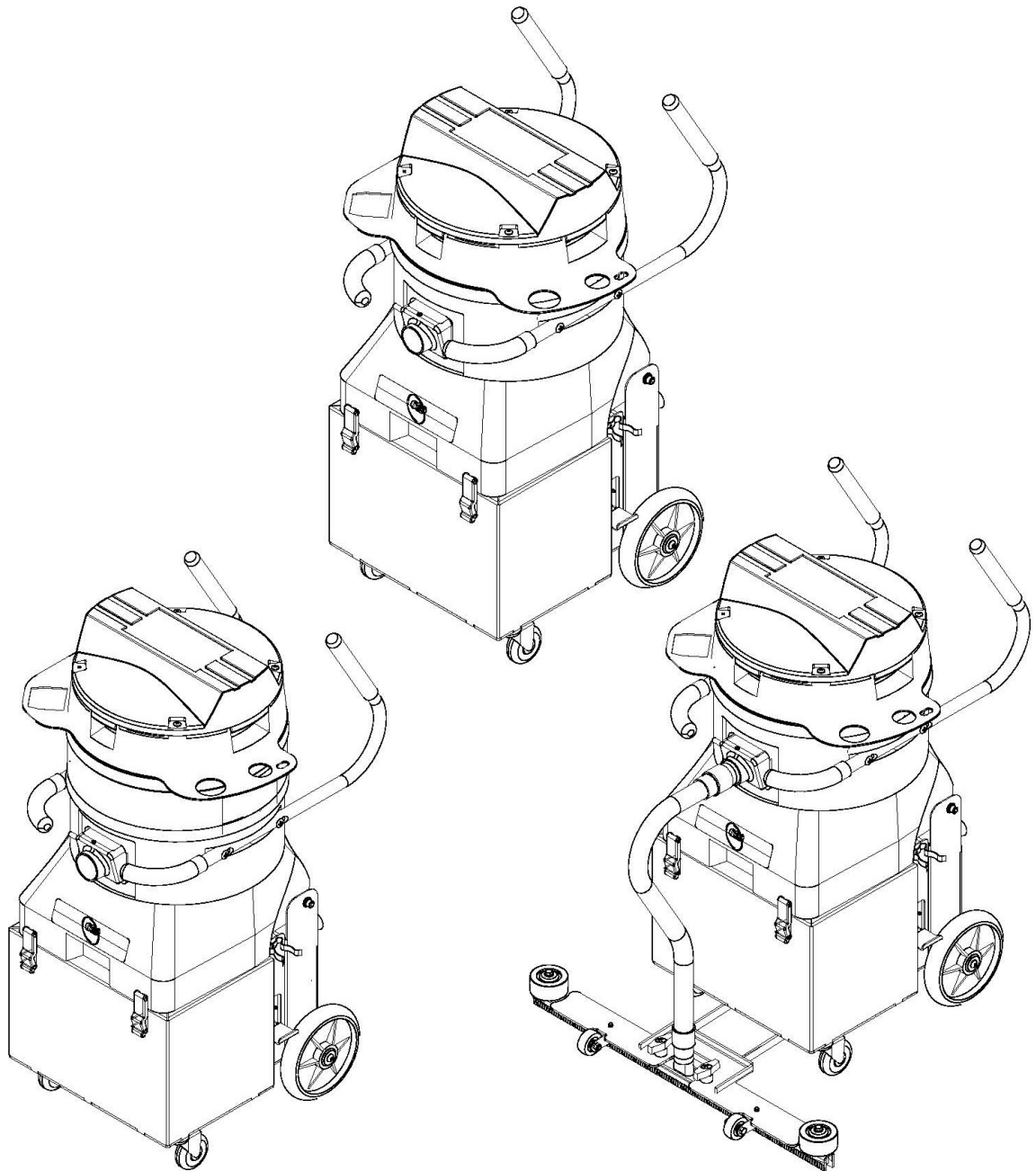
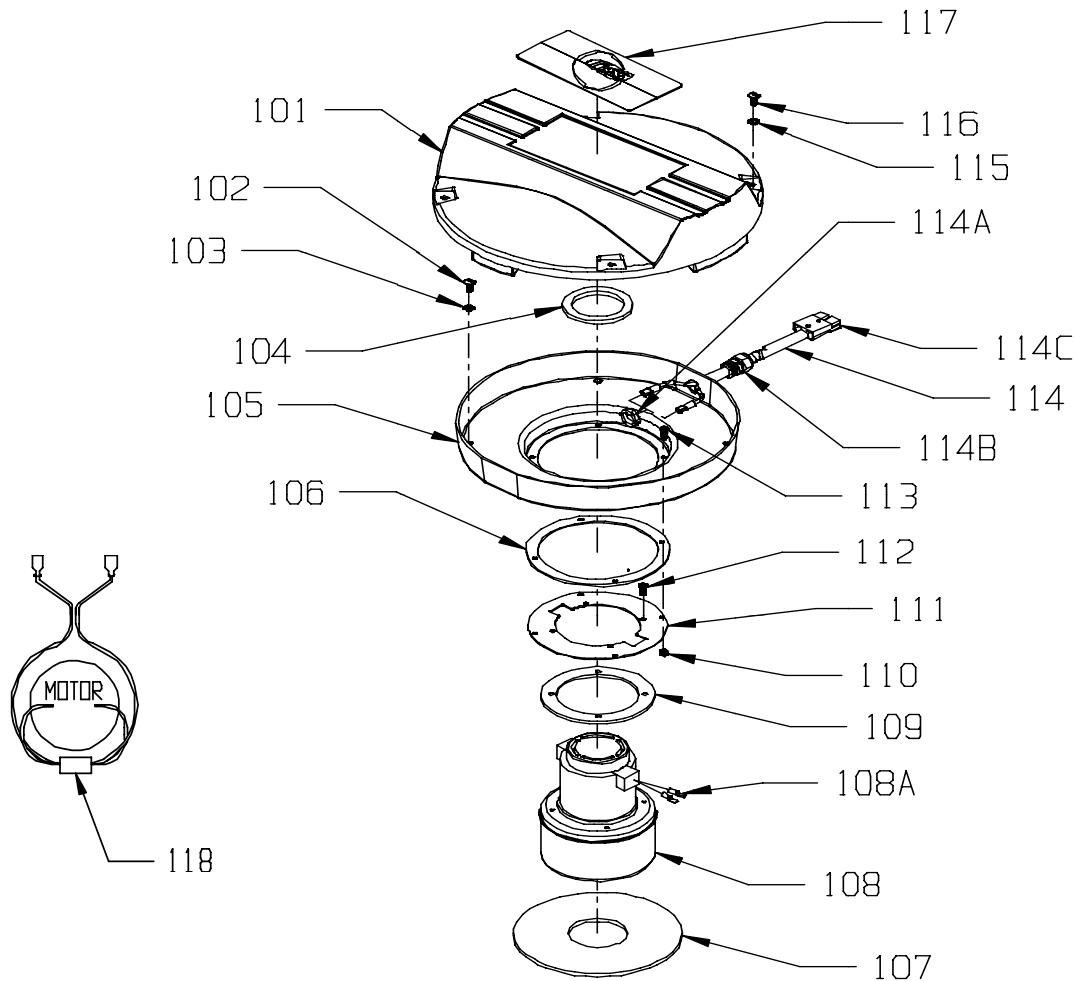


PARTS LIST
COLT 800 PB
COLT 800 PB HEPA

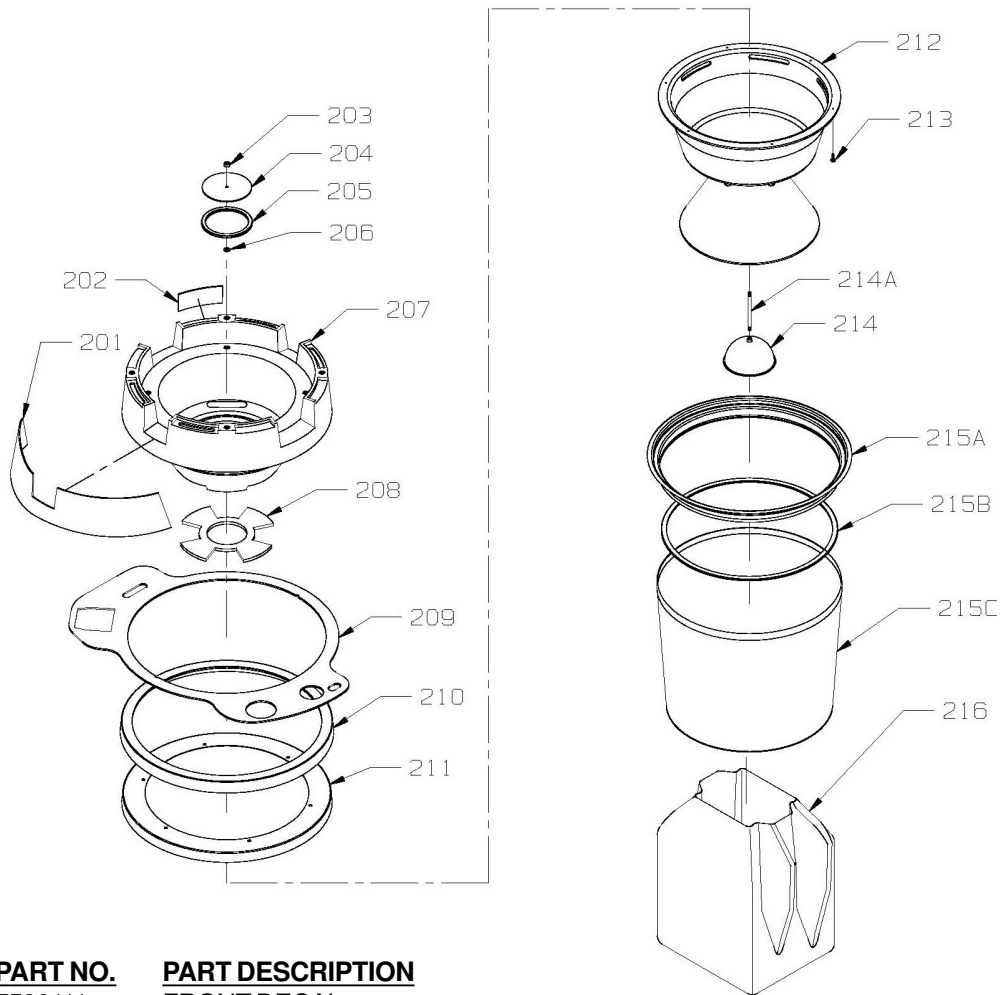


MOTOR / LID



<u>ITEM</u>	<u>PART NO.</u>	<u>PART DESCRIPTION</u>	<u>QTY.</u>
101	7590081	TOP COVER	1
102	9121040B	1/4-20 X 5/8 ROUND HEAD PHILLIPS MACHINE SCREW - PACK OF 5	4
103	9120970B	1/4 EXTERNAL STAR LOCK WASHER - PACK OF 10	4
104	0294341B	TOP MOTOR SEAL	1
105	7590581	AIR SEPARATOR	1
106	0799201B	GASKET	1
107	0891221B	LOWER SEAL GASKET	1
108	7590099	VAC MOTOR - 24 VOLT WITH TERMINALS INCLUDES:	1
	2397571B	CARBON BRUSHES	2
108A	7591221	MALE TERMINAL - 16-14 GAGE	2
109	4690101B	MOTOR SEAL	1
110	9120350B	10-24 HEX NUT WITH NYLOK INSERT - PACK OF 10	4
111	7590011	AIR SEPARATOR ADAPTOR	1
112	7591551	#10-32 X 3/4 PAN HEAD PHILLIPS SHEET METAL SCREW - PACK OF 1	4
113	9120420B	#10-24 X 5/8 ROUND HEAD PHILLIPS MACHINE SCREW - PACK OF 10	4
114	7590101	MOTOR CORD - INCLUDES:	1
114A	0891131B	STRAIN RELIEF NUT	1
114B	3190381B	STRAIN RELIEF	1
114C	2391901B	ANDERSON CONNECTOR	1
115	9120970B	1/4 EXTERNAL STAR LOCK WASHER - PACK OF 10	4
116	9121020B	1/4-20 X 1 TRUSS HEAD PHILLIPS MACHINE SCREW - PACK OF 5	4
117	0892401B	NSS LOGO DECAL - 3 3/4" X 8"	1
118	6991271	EMI SUPPRESSOR	1

NON - HEPA POWER HEAD

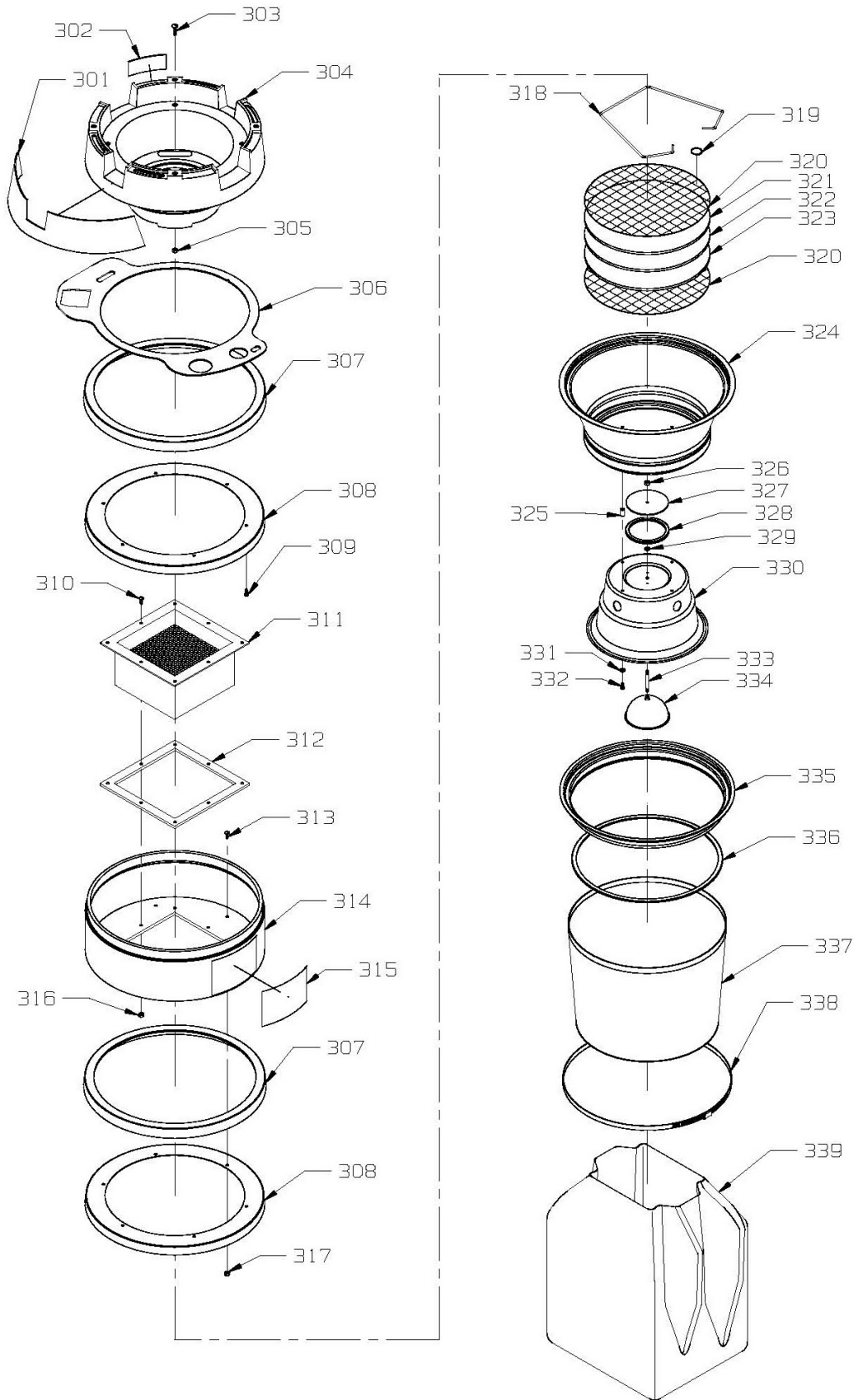


ITEM	PART NO.	PART DESCRIPTION	QTY.
201	7590111	FRONT DECAL	1
202	7590121	NAME IDENTIFIER DECAL - COLT 800 PB	1
203	9120350B	#10-24 HEX NUT WITH NYLOK INSERT - PACK OF 10	1
204	0691271B	FLOAT DISC	1
205	0691261B	FLOAT DISC GASKET	1
206	9120370B	7/32 I.D. X 1/2 O.D. X .032/.065 THICK FLAT WASHER (#10) - PACK OF 10	1
207	0891011B	FLOAT SUPPORT	1
208	0891071B	FLOAT STAND GASKET	1
209	7590161	TOOL TRAY	1
210	0891061B	LID GASKET	1
211	0891053B	LID GASKET SUPPORT	1
212	0891021B	FLOAT STAND	1
213	7591551	#10-32 X 3/4 PAN HEAD SHEET METAL SCREW - PACK OF 10	6
	0690319B	FLOAT AND STEM ASSEMBLY - INCLUDES:	1
214	0690311B	FLOAT	1
214A	0690811B	FLOAT STEM	1
	0891939B	DYNEL FILTER ASSEMBLY - INCLUDES:	1
215A	0690341B	BAG RING ONLY	1
215B	0691751B	BAG GASKET	1
215C	0691911B	DYNEL BAG - CLOTH	1
	0891949B	BLUE FILTER BAG ASSEMBLY - OPTIONAL - INCLUDES:	1
215A	0690341B	BAG RING ONLY	1
215B	0691751B	BAG GASKET	1
215C	0691921B	BLUE CLOTH FILTER BAG	1
216	0892171B	PAPER BAG - OPTIONAL	1

HEPA POWER HEAD

ITEM	PART NO.	PART DESCRIPTION	QTY.
301	7590111	FRONT DECAL	1
302	7590151	NAME IDENTIFIER DECAL - COLT HEPA 800 PB	1
303	9121020B	1/4-20 X 1 TRUSS HEAD PHILLIPS MACHINE SCREW - PACK OF 5	1
304	0891011B	FLOAT SUPPORT	1
305	9120890B	1/4-20 HEX NUT WITH NYLOK INSERT - THIN - PACK OF 5	1
306	7590161	TOOL TRAY	1
307	0891061B	LID GASKET	2
308	0891053B	LID GASKET SUPPORT	2
309	7591551	#10-32 X 3/4 PAN HEAD SHEET METAL SCREW - PACK OF 10	6
310	9120635B	#10-24 X 7/8 PAN HEAD PHILLIPS MACHINE SCREW - PACK OF 10	8
311	0891291B	HEPA FILTER	1
312	0891281B	HEPA FILTER GASKET	1
313	9120520B	#10-24 X 5/8 TRUSS HEAD PHILLIPS MACHINE SCREW - PACK OF 10	6
314	0891321B	HEPA FILTER STAND	1
315	0892421B	HEPA FILTER STAND DECAL KIT	1
316	9120360B	#10-24 HEX NUT WITH STAR LOCK WASHER - PACK OF 10	8
317	9120360B	#10-24 HEX NUT WITH STAR LOCK WASHER - PACK OF 10	6
318	0691241B	WIRE RETAINING FORM	1
319	2392561B	CIRCLE COTTER - #CC-7	1
320	0691231B	SCREEN	2
321	0891191B	UPPER FILTER DISC	1
322	0691221B	FILTER - 80 PORE	1
323	0891181B	LOWER FILTER DISC	1
324	0691199B	MICRO FILTER SUPPORT	1
325	0691422B	SPACER	4
326	9120350B	#10-24 HEX NUT WITH NYLOK INSERT - PACK OF 10	1
327	0691271B	FLOAT DISC	1
328	0691261B	FLOAT DISC GASKET	1
329	9120370B	7/32 I.D. X 1/2 O.D. X .032/.065 THICK FLAT WASHER (#10) - PACK OF 10	1
330	0691209B	MICRO FILTER MOTOR STAND ASSEMBLY	1
331	9120495B	#10 INTERNAL STAR LOCK WASHER - PACK OF 10	4
332	9120780B	#10-32 X 1 1/4 ROUND HEAD SLOT MACHINE SCREW - PACK OF 5	4
333	0691431B	FLOAT STEM	1
334	0690311B	FLOAT	1
335	0690341B	BAG RING ONLY	1
336	0691751B	BAG GASKET	1
337	0892161B	MICRO FILTER BAG	1
338	0690222B	BAND CLAMP - FILTER BAG	1
339	0892171B	PAPER BAG	1

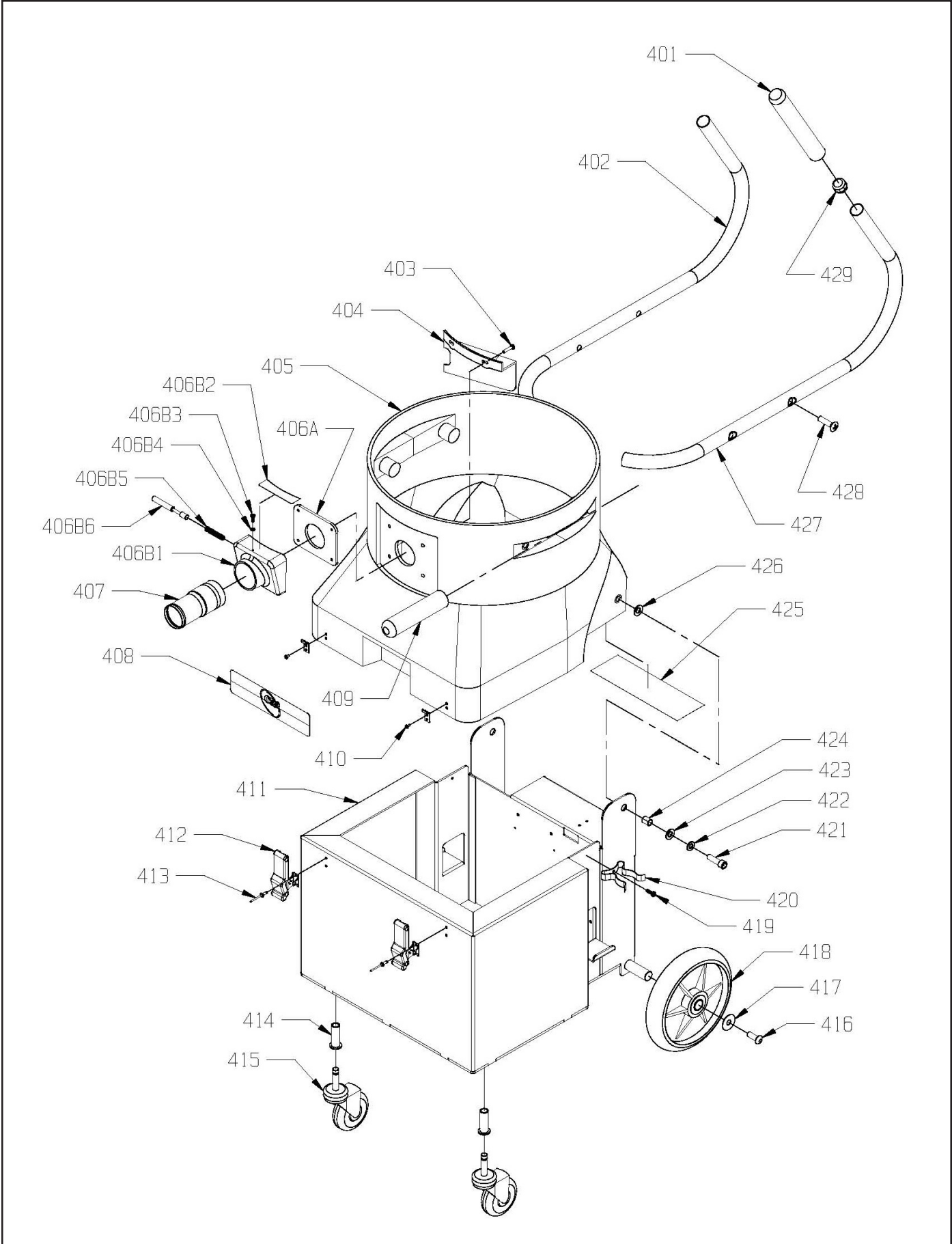
HEPA POWER HEAD



CONTAINER AND BASE

ITEM	PART NO.	PART DESCRIPTION	QTY.
401	1391961B	HANDLE GRIP	2
402	7591531	TANK HANDLE - RIGHT	1
403	9120630B	10-24 X 7/8 PAN HEAD THREAD CUTTING SCREW - PACK OF 2	4
404	0297101B	INTAKE BAFFLE	1
405	7590021	8 GALLON TANK	1
	0297029B	INTAKE ASSEMBLY AND GASKET - INCLUDES:	1
406A	4690531B	INTAKE GASKET	1
406B	0297019	INTAKE ASSEMBLY - INCLUDES:	1
406B1	0297015B	INTAKE ONLY	1
406B2	0892441B	BAG INSTRUCTION LABEL	1
406B3	9120230B	#8-32 X 1/2 PAN HEAD PHILLIPS MACHINE SCREW - PACK OF 10	1
406B4	9120200B	#8 SPLIT LOCK WASHER - PACK OF 10	1
406B5	0299261B	PLUNGER SPRING	1
406B6	0299271B	PLUNGER PIN	1
407	2590801B	HOSE COUPLING	1
408	4792321B	FRONT DECAL - 2 X 8	1
409	7591601	HANDLE GRIP	2
410	7591611	#6-32 X 1/4 PAN HEAD PHILLIPS MACHINE SCREW	4
411	7590031	BASE WELDMENT	1
412	6491171B	SOFT DRAW LATCH WITH KEEPER	2
413	9120319B	5/32 DIAMETER X 3/8 LONG POP RIVET - PACK OF 5	4
414	1392491B	PLASTIC SOCKET INSERT	2
415	1392481B	STEM CASTER	2
416	9122117B	3/8-16 X 1 BUTTON HEAD CAP SCREW - PACK OF 2	2
417	7591581	.406 I.D. X 1 1/4 O.D. X .04 THICK FLAT WASHER	2
418	7590271	8" WHEEL	2
419	9120420B	10-24 X 5/8 ROUND HEAD PHILLIPS MACHINE SCREW - PACK OF 10	2
420	7591231	TOOL CLIP	2
421	9122320B	3/8-16 X 1 1/4 SOCKET HEAD CAP SCREW - PACK OF 2	2
422	9122100B	3/8 SPLIT LOCK WASHER - PACK OF 10	2
423	9122180B	13/32 I.D. X 13/16 O.D. X .051/.080 THICK FLAT WASHER (3/8) - PACK OF 10	2
424	0290971B	SPACER	2
425	7590131	BATTERY WARNING DECAL	1
426	9122180B	13/32 I.D. X 13/16 O.D. X .051/.080 THICK FLAT WASHER (3/8) - PACK OF 10	2
427	7591541	TANK HANDLE - LEFT	1
428	9122060B	3/8-16 X 1 1/4 OVAL HEAD PHILLIPS MACHINE SCREW - PACK OF 1	4
429	0690761B	PLUG BUTTON	2

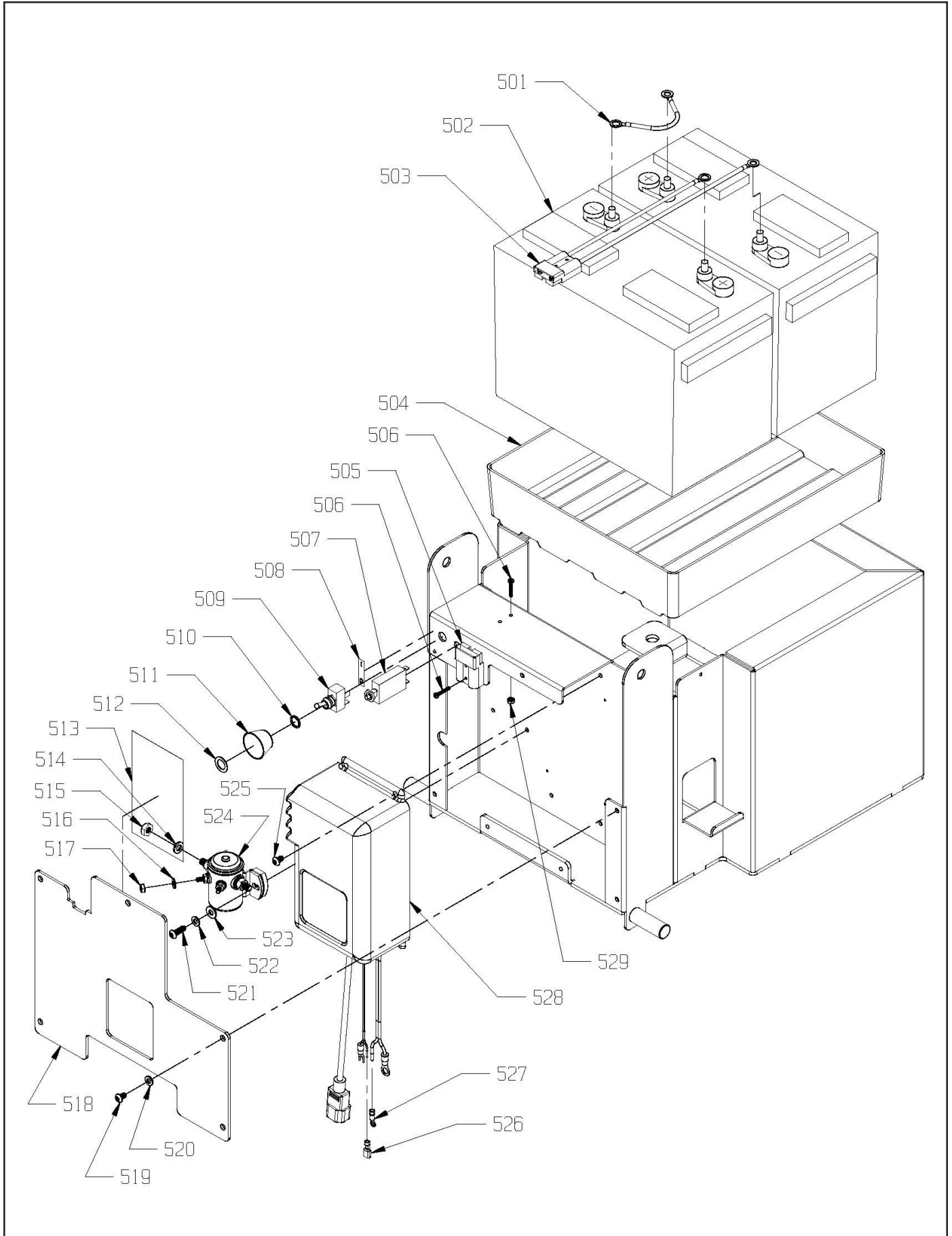
CONTAINER AND BASE



INTERNAL ASSEMBLY

<u>ITEM</u>	<u>PART NO.</u>	<u>PART DESCRIPTION</u>	<u>QTY.</u>
501	1393331B	BATTERY JUMPER	1
502	2392111B	12V BATTERY	2
503	7590931	ANDERSON TO BATTERY WIRE ASSEMBLY - INCLUDES:	1
	2391901B	ANDERSON CONNECTOR	1
504	1390291B	BATTERY TRAY	1
505	7590061	WIRING HARNESS	1
506	9120090B	6-32 X 7/8 PAN HEAD PHILLIPS MACHINE SCREW - PACK OF 10	4
507	2694121B	CIRCUIT BREAKER	1
508	7591131	ON/OFF DECAL	1
509	4491101B	TOGGLE SWITCH	1
510	1090981B	SWITCH GUARD SPACER	1
511	1091051B	SWITCH GUARD	1
512	9122465B	.516 I.D. X 11/16 O.D. X .027/.030 THICK FLAT WASHER - PACK OF 2	1
513	7591141	WIRING DIAGRAM DECAL	1
514	9121520B	5/16 SPLIT LOCK WASHER - PACK OF 10	2
515	7591591	5/16-24 HEX JAM NUT	2
516	9120370B	7/32 I.D. X 1/2 O.D. X .032/.065 THICK FLAT WASHER (#10) - PACK OF 10	2
517	9120690B	10-32 HEX NUT WITH STAR LOCK WASHER - PACK OF 10	2
518	7590071	CHARGER COVER PLATE	1
519	7591561	1/4-20 X 3/8 BUTTON HEAD CAP SCREW - PACK OF 1	5
520	9120880B	1/4 SPLIT LOCK WASHER - PACK OF 10	5
521	7591571	1/4-20 X 3/4 BUTTON HEAD CAP SCREW - PACK OF 1	2
522	9120880B	1/4 SPLIT LOCK WASHER - PACK OF 10	2
523	9120930B	9/32 I.D. X 5/8 O.D. X .051/.808 THICK FLAT WASHER (1/4) - PACK OF 10	2
524	7590261	24 VOLT CONTACTOR	1
525	7591561	1/4-20 X 3/8 BUTTON HEAD CAP SCREW	4
526	5092781B	FEMALE TERMINAL, 1/4"	1
527	0298981B	#10 RING TERMINAL, 14-16 GAGE	1
528	1392191B	120 VOLT ON BOARD BATTERY CHARGER	1
528	1392251B	240 VOLT ON BOARD BATTERY CHARGER	1
529	9120020B	6-32 HEX NUT WITH STAR LOCK WASHER - PACK OF 10	2
	6495701B	120 VOLT BATTERY CHARGER CORD (NOT SHOWN)	1

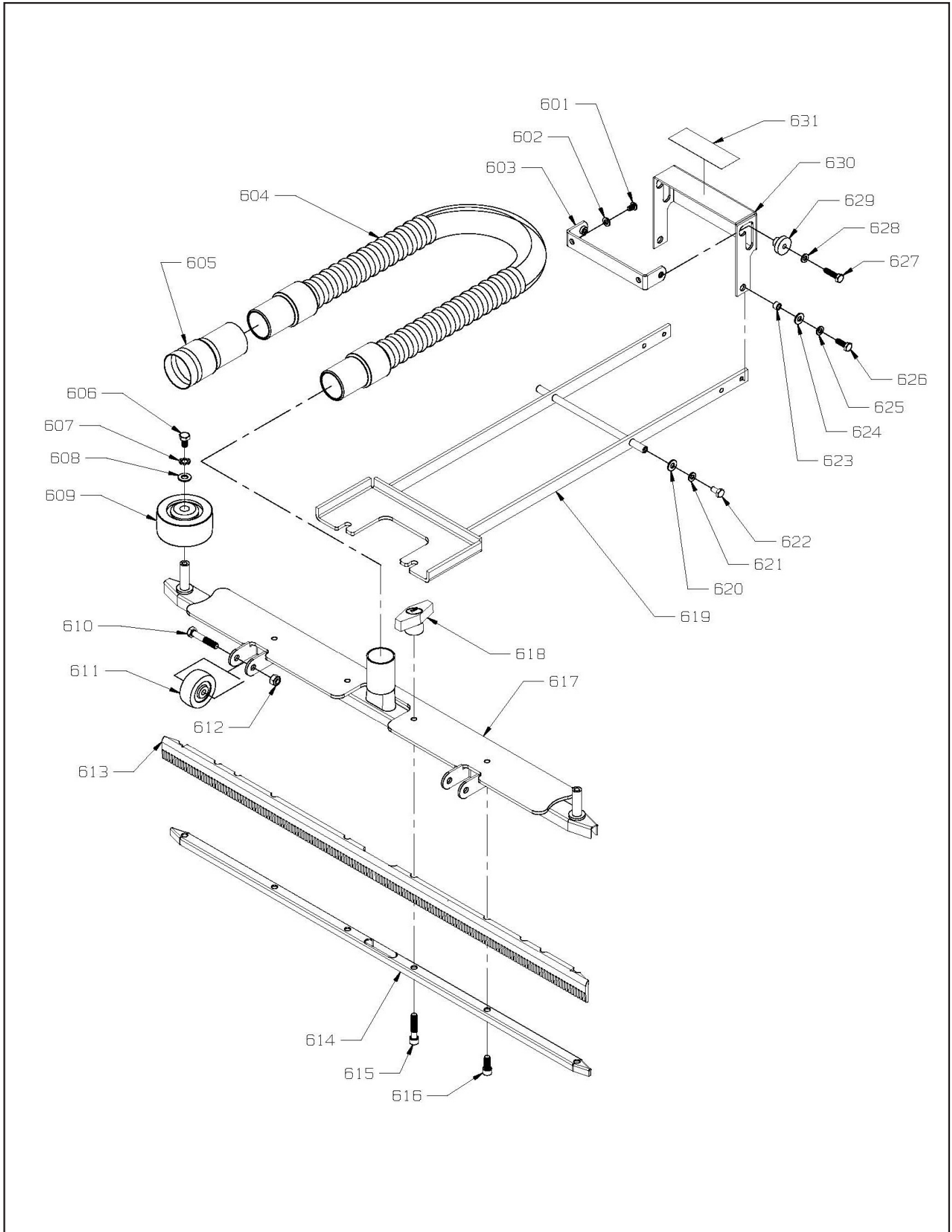
INTERNAL ASSEMBLY



FRONT MOUNT SQUEEGEE ASSEMBLY - 7591319

<u>ITEM</u>	<u>PART NO.</u>	<u>PART DESCRIPTION</u>	<u>QTY.</u>
601	7591571	1/4-20 X 3/8 BUTTON HEAD CAP SCREW	2
602	9120880B	1/4 SPLIT LOCK WASHER - PACK OF 10	2
603	7590681	PIVOT REAR BRACKET	1
604	7590721	32" HOSE WITH CUFFS	1
605	2590801B	HOSE COUPLING 1 1/2"	1
606	9121560B	5/16-18 X 1/2 HEX BOLT - PACK OF 5	2
607	9121410B	5/16 EXTERNAL STAR LOCK WASHER - PACK OF 10	2
608	9121390B	11/32 I.D. X 11/16 O.D. X .051/.080 THICK FLAT WASHER (5/16) - PACK OF 10	2
609	2790281B	3" BUMPER WHEEL	2
610	9121760B	5/16-18 X 1 3/4 HEX BOLT - PACK OF 2	2
611	3096741B	WHEEL - BUMPER - SMALL GRAY	2
612	9121450B	5/16-18 HEX NUT WITH NYLOK INSERT - PACK OF 5	2
613	2791061B	32" REPLACEMENT SQUEEGEE BLADES - PAIR OF 2	1
614	2692523B	INNER CHANNEL	1
615	9121920B	5/16-18 X 1 1/2 SOCKET HEAD CAP SCREW - PACK OF 2	2
616	9121880B	5/16-18 X 3/4 SOCKET HEAD CAP SCREW - PACK OF 2	4
617	2692523B	OUTER CHANNEL	1
618	3392971B	T-KNOB	2
619	7590041	SQUEEGEE LIFT ARM	1
620	9120930B	9/32 I.D. X 5/8 O.D. X .051/.080 THICK FLAT WASHER (1/4) - PACK OF 10	2
621	9120880B	1/4 SPLIT LOCK WASHER - PACK OF 10	2
622	9121170B	1/4-20 X 1/2 HEX BOLT - PACK OF 10	2
623	2791281B	BUSHING SPACER	2
624	9120930B	9/32 I.D. X 5/8 O.D. X .051/.080 THICK FLAT WASHER (1/4) - PACK OF 10	2
625	9120880B	1/4 SPLIT LOCK WASHER - PACK OF 10	2
626	9121250B	1/4-20 X 3/4 HEX BOLT WITH NYLON PATCH - PACK OF 10	2
627	9121270B	1/4-20 X 1 HEX BOLT - PACK OF 10	2
628	9120880B	1/4 SPLIT LOCK WASHER - PACK OF 10	2
629	4495351B	SPACER GUIDE	2
630	7590691	FOOT PEDAL WITH LATCH	1
631	7590711	SQUEEGEE OPERATION DECAL	1

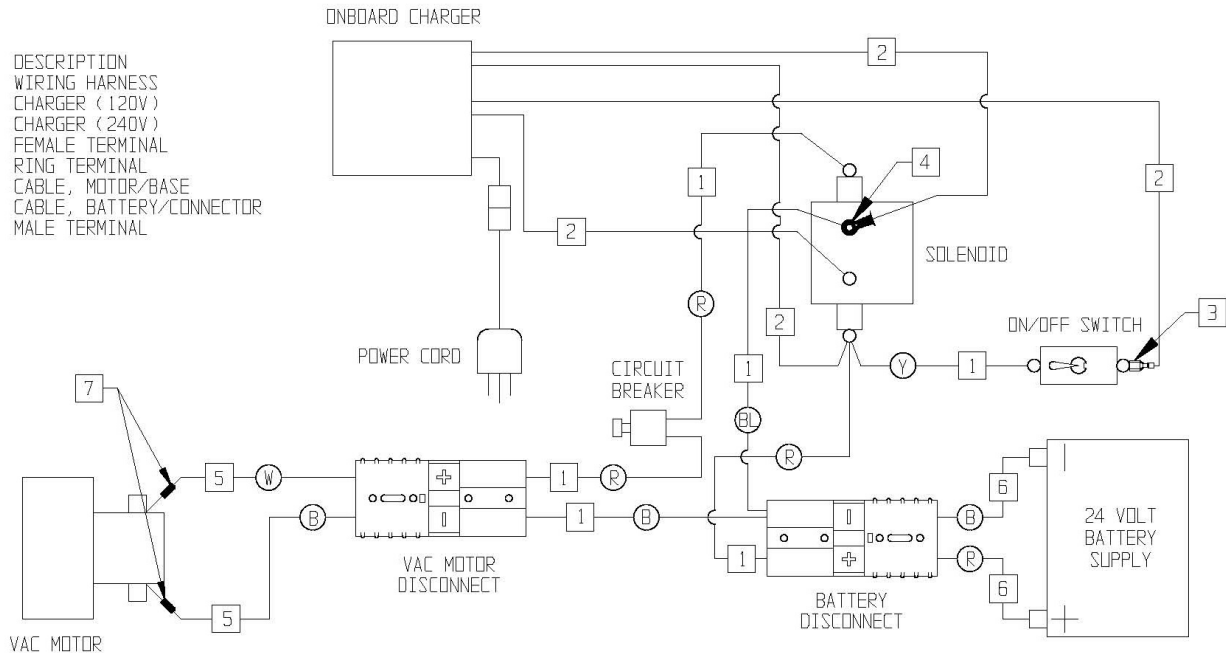
FRONT MOUNT SQUEEGEE ASSEMBLY



WIRING DIAGRAM

ITEM	P/N	DESCRIPTION
1	7590061	WIRING HARNESS
2	1392191B	CHARGER (120V)
	1392251B	CHARGER (240V)
3	5092781B	FEMALE TERMINAL
4	0298981B	RING TERMINAL
5	7590101	CABLE, MOTOR/BASE
6	7590931	CABLE, BATTERY/CONNECTOR
7	7591221	MALE TERMINAL

B=BLACK
R=RED
W=WHITE
Y=YELLOW
BL=BLUE



ACCESSORIES



PART NO.

- 0891939B
- 0891949B
- 7591319
- 7591309
- 2595101B
- 3092311B
- 7591161
- 1094981
- 7591631
- 7591649
- 2595101B
- 3092179B
- 3092311B
- 7591161
- 1094981
- 7591272
- 7591621
- 7591679
- 7590421
- 7591701

PART DESCRIPTION

- DYNEL FILTER BAG ASSEMBLY
- BLUE FILTER BAG ASSEMBLY
- FRONT MOUNT SQUEEGEE KIT - ITEMS 601-631 PAGE 10 & 11
- GENERAL PURPOSE TOOL KIT - INCLUDES:
 - 10 FT SUPER FLEX HOSE WITH SWIVEL CUFF
 - CREVICE TOOL
 - COMBINATION FLOOR TOOL
 - TELESCOPIC WAND
 - 16" SQUEEGEE TOOL WITH WHEELS
- RETAIL STORE TOOL KIT - INCLUDES:
 - 10 FT SUPER FLEX HOSE WITH SWIVEL CUFF
 - 14" URETHANE SQUEEGEE TOOL
 - CREVICE TOOL
 - COMBINATION FLOOR TOOL
 - TELESCOPIC WAND
 - WAND EXTENSION
 - 15" BRISTLE FLOOR TOOL WITH WHEELS
- HEPA FILTER KIT - INCLUDES:
 - ITEMS 302, 303, 305, 307-326, 331-333, 336-340 PAGES 4 & 5
 - INTAKE BAFFLE
- BATTERY BRUSH FLOOR TOOL W/ BATTERY AND CHARGER



NSS ® Enterprises, Inc.

3115 Frenchmens Road, Toledo, Ohio 43607
PHONE (419) 531-2121 FAX (419) 531-3761

NSS ® Enterprises, Inc. European Distribution Centre
Unit II, Pinfold Trading Estate * 55 Nottingham Road
STAPLEFORD, NOTTINGHAM NG9 8AD ENGLAND U.K.
PHONE: (44) 0115 939 1568 * FAX: (44) 0115 949 0615