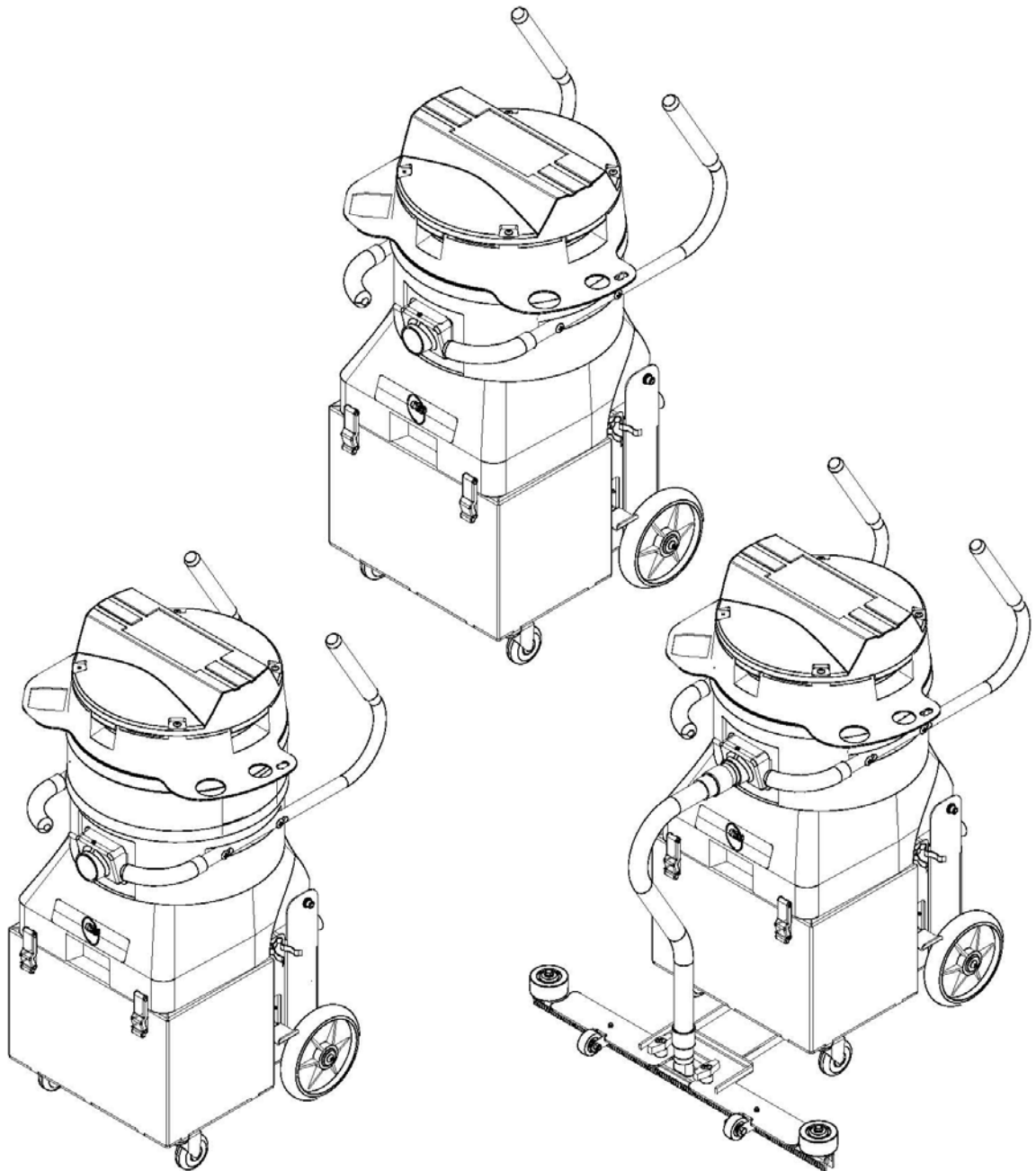
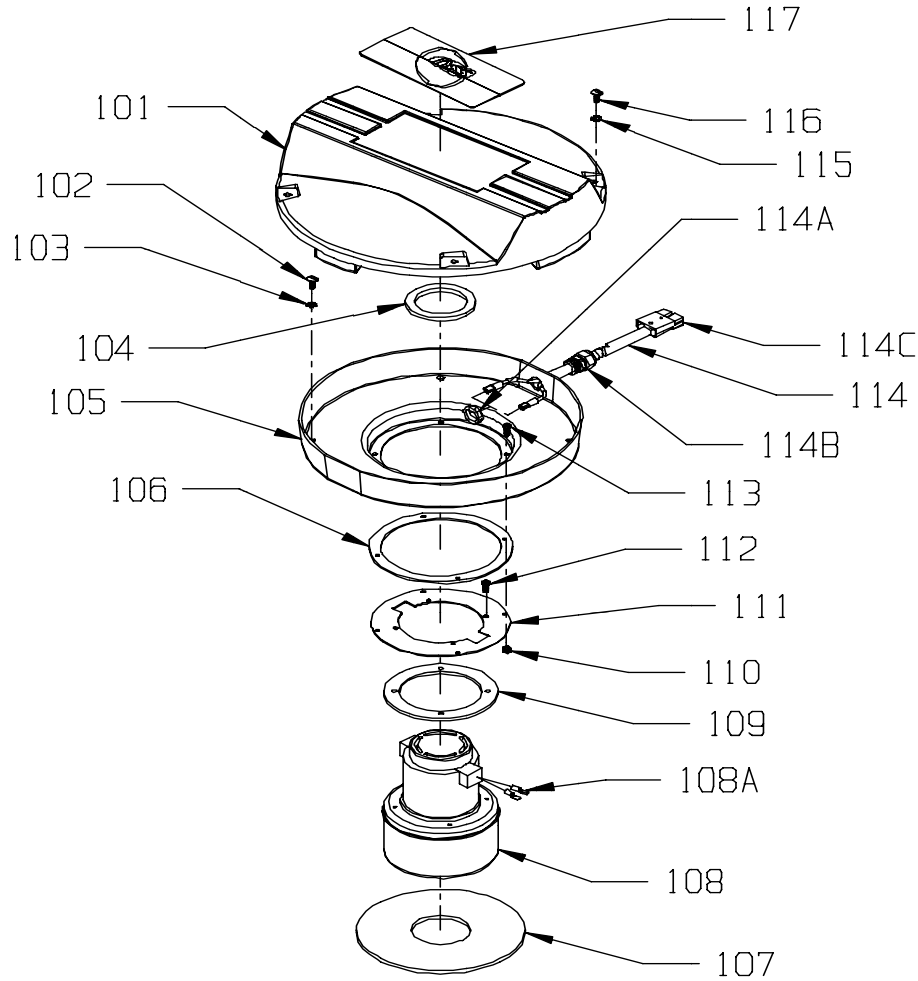


PARTS LIST
COLT 800 PB
COLT 800 PB HEPA

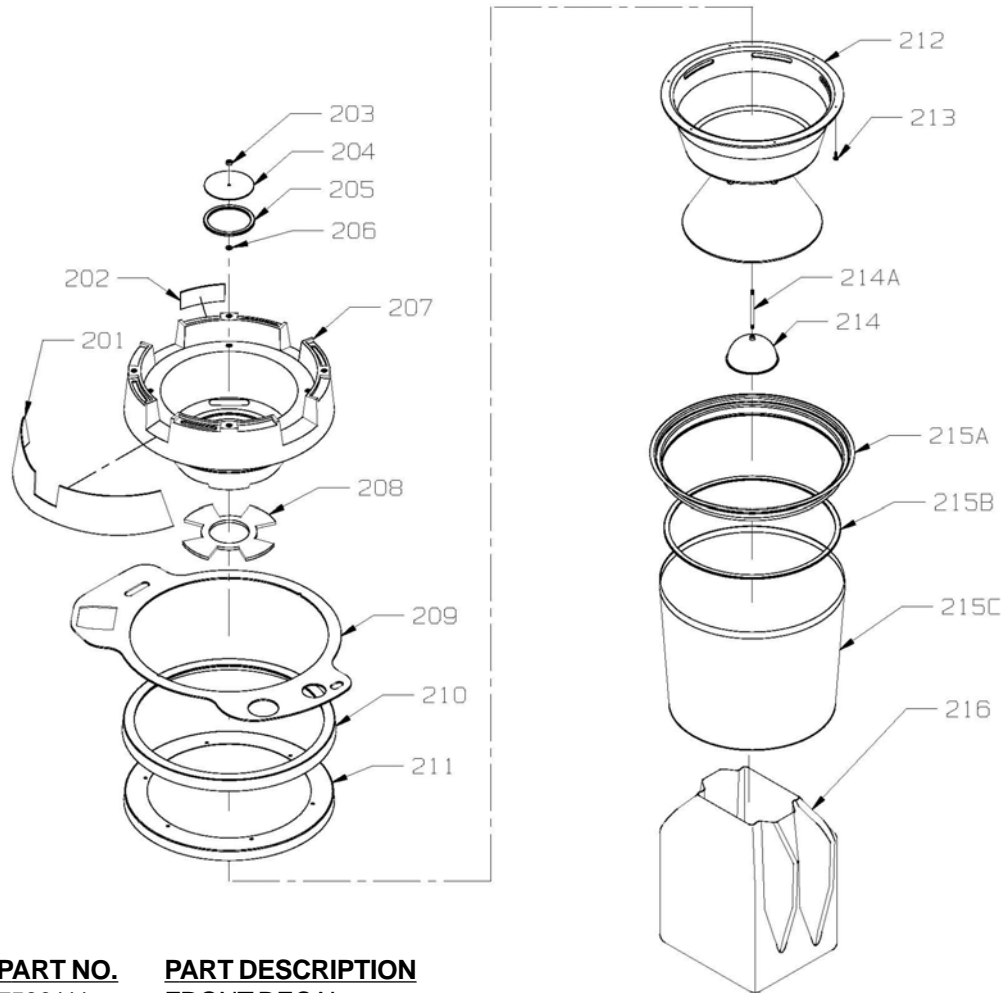


MOTOR / LID



<u>ITEM</u>	<u>PART NO.</u>	<u>PART DESCRIPTION</u>	<u>QTY.</u>
101	7590081	TOP COVER	1
102	9121040B	1/4-20 X 5/8 ROUND HEAD PHILLIPS MACHINE SCREW - PACK OF 5	4
103	9120970B	1/4 EXTERNAL STAR LOCK WASHER - PACK OF 10	4
104	0294341B	TOP MOTOR SEAL	1
105	7590581	AIR SEPARATOR	1
106	0799201B	GASKET	1
107	0891221B	LOWER SEAL GASKET	1
108	7590099	VAC MOTOR - 24 VOLT WITH TERMINALS INCLUDES:	1
	2397571B	CARBON BRUSHES	2
108A	7591221	MALE TERMINAL - 16-14 GAGE	2
109	4690101B	MOTOR SEAL	1
110	9120350B	10-24 HEX NUT WITH NYLOK INSERT - PACK OF 10	4
111	7590011	AIR SEPARATOR ADAPTOR	1
112	7591551	#10-32 X 3/4 PAN HEAD PHILLIPS SHEET METAL SCREW - PACK OF 1	4
113	9120420B	#10-24 X 5/8 ROUND HEAD PHILLIPS MACHINE SCREW - PACK OF 10	4
114	7590101	MOTOR CORD - INCLUDES:	1
114A	0891131B	STRAIN RELIEF NUT	1
114B	3190381B	STRAIN RELIEF	1
114C	2391901B	ANDERSON CONNECTOR	1
115	9120970B	1/4 EXTERNAL STAR LOCK WASHER - PACK OF 10	4
116	9121020B	1/4-20 X 1 TRUSS HEAD PHILLIPS MACHINE SCREW - PACK OF 5	4
117	0892401B	NSS LOGO DECAL - 3 3/4" X 8"	1

NON - HEPA POWER HEAD

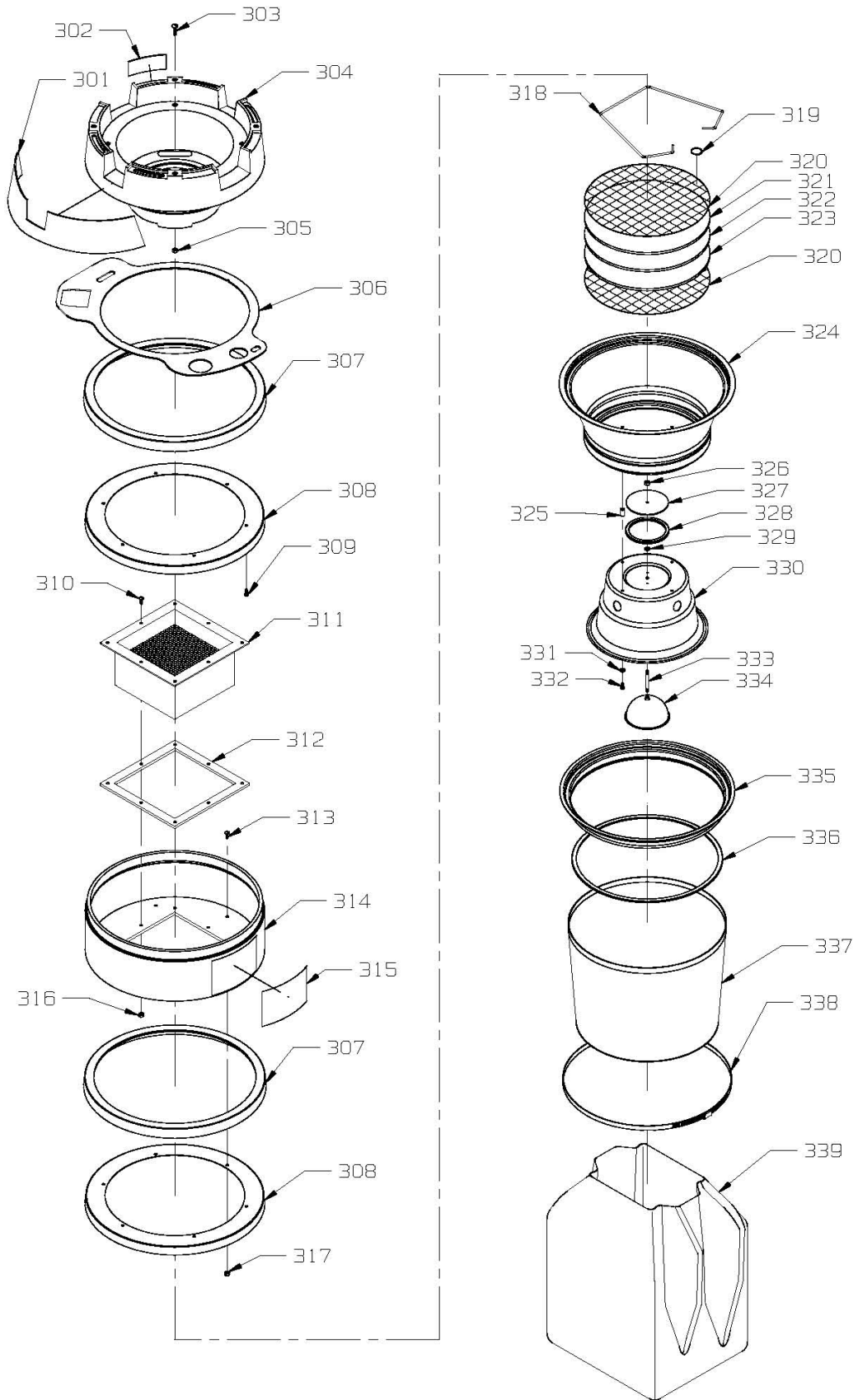


ITEM	PART NO.	PART DESCRIPTION	QTY.
201	7590111	FRONT DECAL	1
202	7590121	NAME IDENTIFIER DECAL - COLT 800 PB	1
203	9120350B	#10-24 HEX NUT WITH NYLOK INSERT - PACK OF 10	1
204	0691271B	FLOAT DISC	1
205	0691261B	FLOAT DISC GASKET	1
206	9120370B	7/32 I.D. X 1/2 O.D. X .032/.065 THICK FLAT WASHER (#10) - PACK OF 10	1
207	0891011B	FLOAT SUPPORT	1
208	0891071B	FLOAT STAND GASKET	1
209	7590161	TOOL TRAY	1
210	0891061B	LID GASKET	1
211	0891053B	LID GASKET SUPPORT	1
212	0891021B	FLOAT STAND	1
213	7591551	#10-32 X 3/4 PAN HEAD SHEET METAL SCREW - PACK OF 10	6
	0690319B	FLOAT AND STEM ASSEMBLY - INCLUDES:	1
214	0690311B	FLOAT	1
214A	0690811B	FLOAT STEM	1
	0891939B	DYNEL FILTER ASSEMBLY - INCLUDES:	1
215A	0690341B	BAG RING ONLY	1
215B	0691751B	BAG GASKET	1
215C	0691911B	DYNEL BAG - CLOTH	1
	0891949B	BLUE FILTER BAG ASSEMBLY - OPTIONAL - INCLUDES:	1
215A	0690341B	BAG RING ONLY	1
215B	0691751B	BAG GASKET	1
215C	0691921B	BLUE CLOTH FILTER BAG	1
216	0892171B	PAPER BAG - OPTIONAL	1

HEPA POWER HEAD

<u>ITEM</u>	<u>PART NO.</u>	<u>PART DESCRIPTION</u>	<u>QTY.</u>
301	7590111	FRONT DECAL	1
302	7590151	NAME IDENTIFIER DECAL - COLT HEPA 800 PB	1
303	9121020B	1/4-20 X 1 TRUSS HEAD PHILLIPS MACHINE SCREW - PACK OF 5	1
304	0891011B	FLOAT SUPPORT	1
305	9120890B	1/4-20 HEX NUT WITH NYLOK INSERT - THIN - PACK OF 5	1
306	7590161	TOOL TRAY	1
307	0891061B	LID GASKET	2
308	0891053B	LID GASKET SUPPORT	2
309	7591551	#10-32 X 3/4 PAN HEAD SHEET METAL SCREW - PACK OF 10	6
310	9120635B	#10-24 X 7/8 PAN HEAD PHILLIPS MACHINE SCREW - PACK OF 10	8
311	0891291B	HEPA FILTER	1
312	0891281B	HEPA FILTER GASKET	1
313	9120520B	#10-24 X 5/8 TRUSS HEAD PHILLIPS MACHINE SCREW - PACK OF 10	6
314	0891321B	HEPA FILTER STAND	1
315	0892421B	HEPA FILTER STAND DECAL KIT	1
316	9120360B	#10-24 HEX NUT WITH STAR LOCK WASHER - PACK OF 10	8
317	9120360B	#10-24 HEX NUT WITH STAR LOCK WASHER - PACK OF 10	6
318	0691241B	WIRE RETAINING FORM	1
319	2392561B	CIRCLE COTTER - #CC-7	1
320	0691231B	SCREEN	2
321	0891191B	UPPER FILTER DISC	1
322	0691221B	FILTER - 80 PORE	1
323	0891181B	LOWER FILTER DISC	1
324	0691199B	MICRO FILTER SUPPORT	1
325	0691422B	SPACER	4
326	9120350B	#10-24 HEX NUT WITH NYLOK INSERT - PACK OF 10	1
327	0691271B	FLOAT DISC	1
328	0691261B	FLOAT DISC GASKET	1
329	9120370B	7/32 I.D. X 1/2 O.D. X .032/.065 THICK FLAT WASHER (#10) - PACK OF 10	1
330	0691209B	MICRO FILTER MOTOR STAND ASSEMBLY	1
331	9120495B	#10 INTERNAL STAR LOCK WASHER - PACK OF 10	4
332	9120780B	#10-32 X 1 1/4 ROUND HEAD SLOT MACHINE SCREW - PACK OF 5	4
333	0691431B	FLOAT STEM	1
334	0690311B	FLOAT	1
335	0690341B	BAG RING ONLY	1
336	0691751B	BAG GASKET	1
337	0892161B	MICRO FILTER BAG	1
338	0690222B	BAND CLAMP - FILTER BAG	1
339	0892171B	PAPER BAG	1

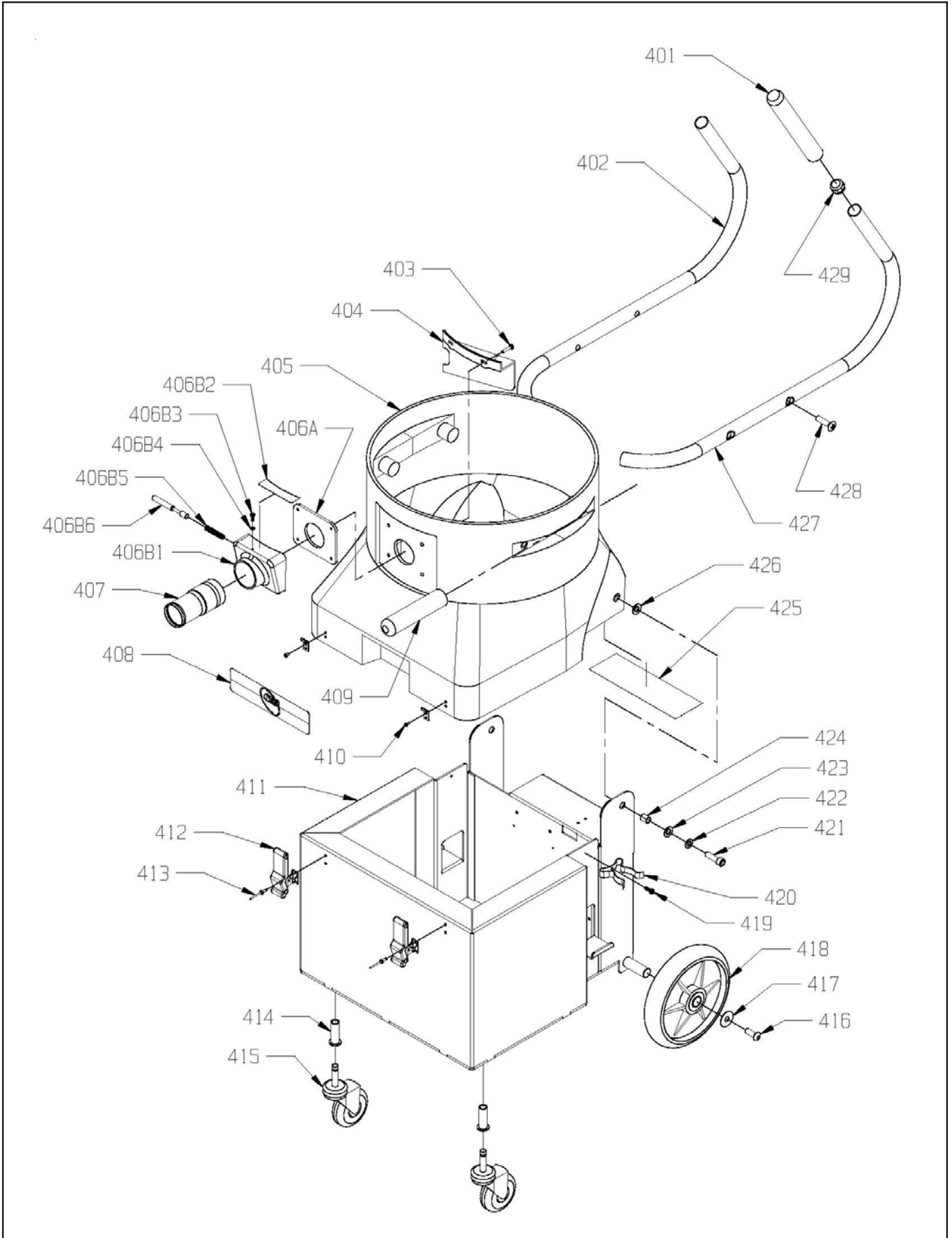
HEPA POWER HEAD



CONTAINER AND BASE

ITEM	PART NO.	PART DESCRIPTION	QTY.
401	1391961B	HANDLE GRIP	2
402	7591531	TANK HANDLE - RIGHT	1
403	9120630B	10-24 X 7/8 PAN HEAD THREAD CUTTING SCREW - PACK OF 2	4
404	0297101B	INTAKE BAFFLE	1
405	7590021	8 GALLON TANK	1
	0297029B	INTAKE ASSEMBLY AND GASKET - INCLUDES:	1
406A	4690531B	INTAKE GASKET	1
406B	0297019	INTAKE ASSEMBLY - INCLUDES:	1
406B1	0297015B	INTAKE ONLY	1
406B2	0892441B	BAG INSTRUCTION LABEL	1
406B3	9120230B	#8-32 X 1/2 PAN HEAD PHILLIPS MACHINE SCREW - PACK OF 10	1
406B4	9120200B	#8 SPLIT LOCK WASHER - PACK OF 10	1
406B5	0299261B	PLUNGER SPRING	1
406B6	0299271B	PLUNGER PIN	1
407	2590801B	HOSE COUPLING	1
408	4792321B	FRONT DECAL - 2 X 8	1
409	7591601	HANDLE GRIP	2
410	7591611	#6-32 X 1/4 PAN HEAD PHILLIPS MACHINE SCREW	4
411	7590031	BASE WELDMENT	1
412	6491171B	SOFT DRAW LATCH WITH KEEPER	2
413	9120319B	5/32 DIAMETER X 3/8 LONG POP RIVET - PACK OF 5	4
414	1392491B	PLASTIC SOCKET INSERT	2
415	1392481B	STEM CASTER	2
416	9122117B	3/8-16 X 1 BUTTON HEAD CAP SCREW - PACK OF 2	2
417	7591581	.406 I.D. X 1 1/4 O.D. X .04 THICK FLAT WASHER	2
418	7590271	8" WHEEL	2
419	9120420B	10-24 X 5/8 ROUND HEAD PHILLIPS MACHINE SCREW - PACK OF 10	2
420	7591231	TOOL CLIP	2
421	9122320B	3/8-16 X 1 1/4 SOCKET HEAD CAP SCREW - PACK OF 2	2
422	9122100B	3/8 SPLIT LOCK WASHER - PACK OF 10	2
423	9122180B	13/32 I.D. X 13/16 O.D. X .051/.080 THICK FLAT WASHER (3/8) - PACK OF 10	2
424	0290971B	SPACER	2
425	7590131	BATTERY WARNING DECAL	1
426	9122180B	13/32 I.D. X 13/16 O.D. X .051/.080 THICK FLAT WASHER (3/8) - PACK OF 10	2
427	7591541	TANK HANDLE - LEFT	1
428	9122060B	3/8-16 X 1 1/4 OVAL HEAD PHILLIPS MACHINE SCREW - PACK OF 1	4
429	0690761B	PLUG BUTTON	2

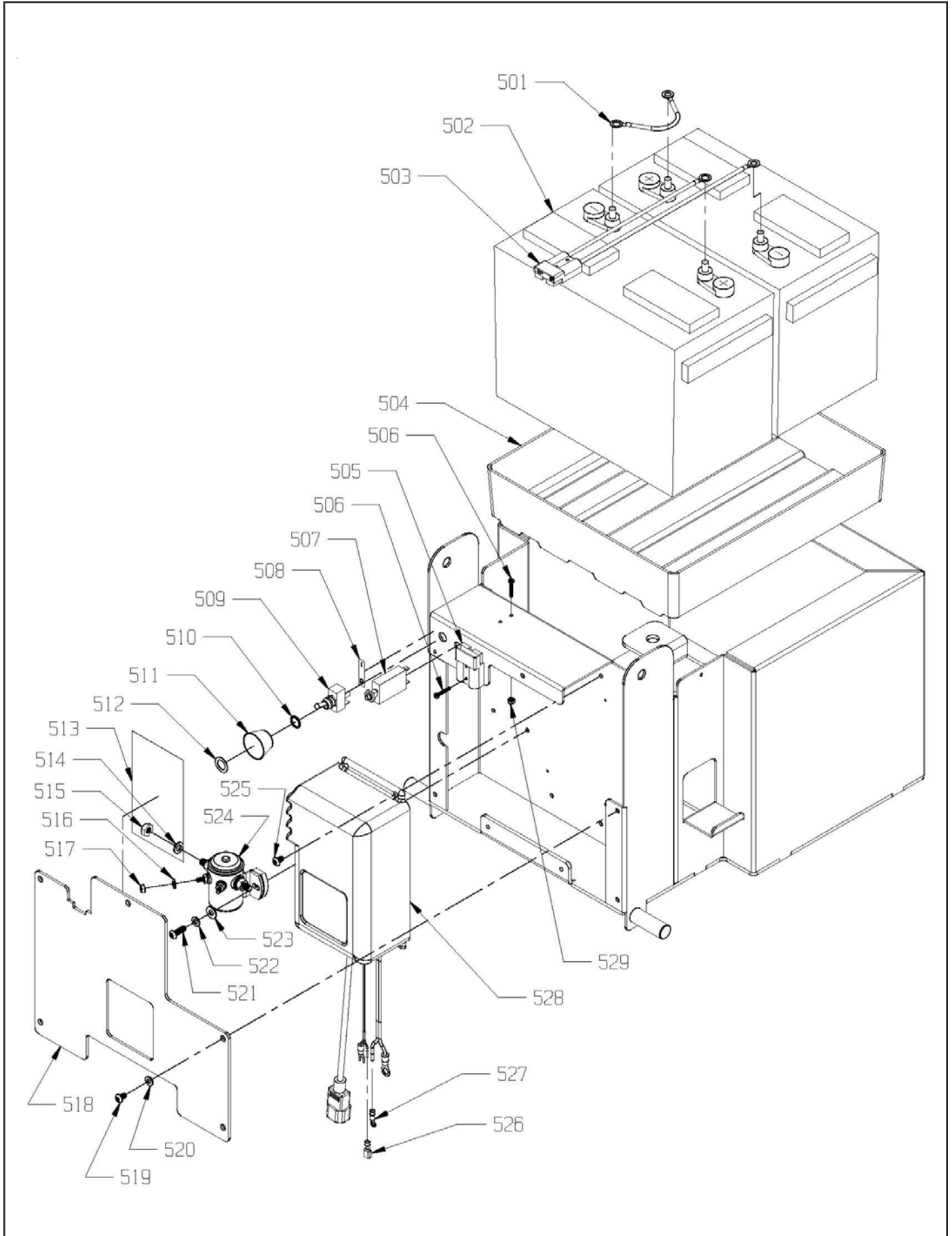
CONTAINER AND BASE



INTERNAL ASSEMBLY

<u>ITEM</u>	<u>PART NO.</u>	<u>PART DESCRIPTION</u>	<u>QTY.</u>
501	1393331B	BATTERY JUMPER	1
502	2392111B	12V BATTERY	2
503	7590931	ANDERSON TO BATTERY WIRE ASSEMBLY - INCLUDES:	1
	2391901B	ANDERSON CONNECTOR	1
504	1390291B	BATTERY TRAY	1
505	7590061	WIRING HARNESS	1
506	9120090B	6-32 X 7/8 PAN HEAD PHILLIPS MACHINE SCREW - PACK OF 10	4
507	2694121B	CIRCUIT BREAKER	1
508	7591131	ON/OFF DECAL	1
509	4491101B	TOGGLE SWITCH	1
510	1090981B	SWITCH GUARD SPACER	1
511	1091051B	SWITCH GUARD	1
512	9122465B	.516 I.D. X 11/16 O.D. X .027/.030 THICK FLAT WASHER - PACK OF 2	1
513	7591141	WIRING DIAGRAM DECAL	1
514	9121520B	5/16 SPLIT LOCK WASHER - PACK OF 10	2
515	7591591	5/16-24 HEX JAM NUT	2
516	9120370B	7/32 I.D. X 1/2 O.D. X .032/.065 THICK FLAT WASHER (#10) - PACK OF 10	2
517	9120690B	10-32 HEX NUT WITH STAR LOCK WASHER - PACK OF 10	2
518	7590071	CHARGER COVER PLATE	1
519	7591561	1/4-20 X 3/8 BUTTON HEAD CAP SCREW - PACK OF 1	5
520	9120880B	1/4 SPLIT LOCK WASHER - PACK OF 10	5
521	7591571	1/4-20 X 3/4 BUTTON HEAD CAP SCREW - PACK OF 1	2
522	9120880B	1/4 SPLIT LOCK WASHER - PACK OF 10	2
523	9120930B	9/32 I.D. X 5/8 O.D. X .051/.808 THICK FLAT WASHER (1/4) - PACK OF 10	2
524	7590261	24 VOLT CONTACTOR	1
525	7591561	1/4-20 X 3/8 BUTTON HEAD CAP SCREW	4
526	5092781B	FEMALE TERMINAL, 1/4"	1
527	0298981B	#10 RING TERMINAL, 14-16 GAGE	1
528	1392191B	120 VOLT ON BOARD BATTERY CHARGER	1
528	1392251B	240 VOLT ON BOARD BATTERY CHARGER	1
529	9120020B	6-32 HEX NUT WITH STAR LOCK WASHER - PACK OF 10	2
	6495701B	120 VOLT BATTERY CHARGER CORD (NOT SHOWN)	1
	6495711B	240 VOLT BATTERY CHARGER CORD (NOT SHOWN)	1

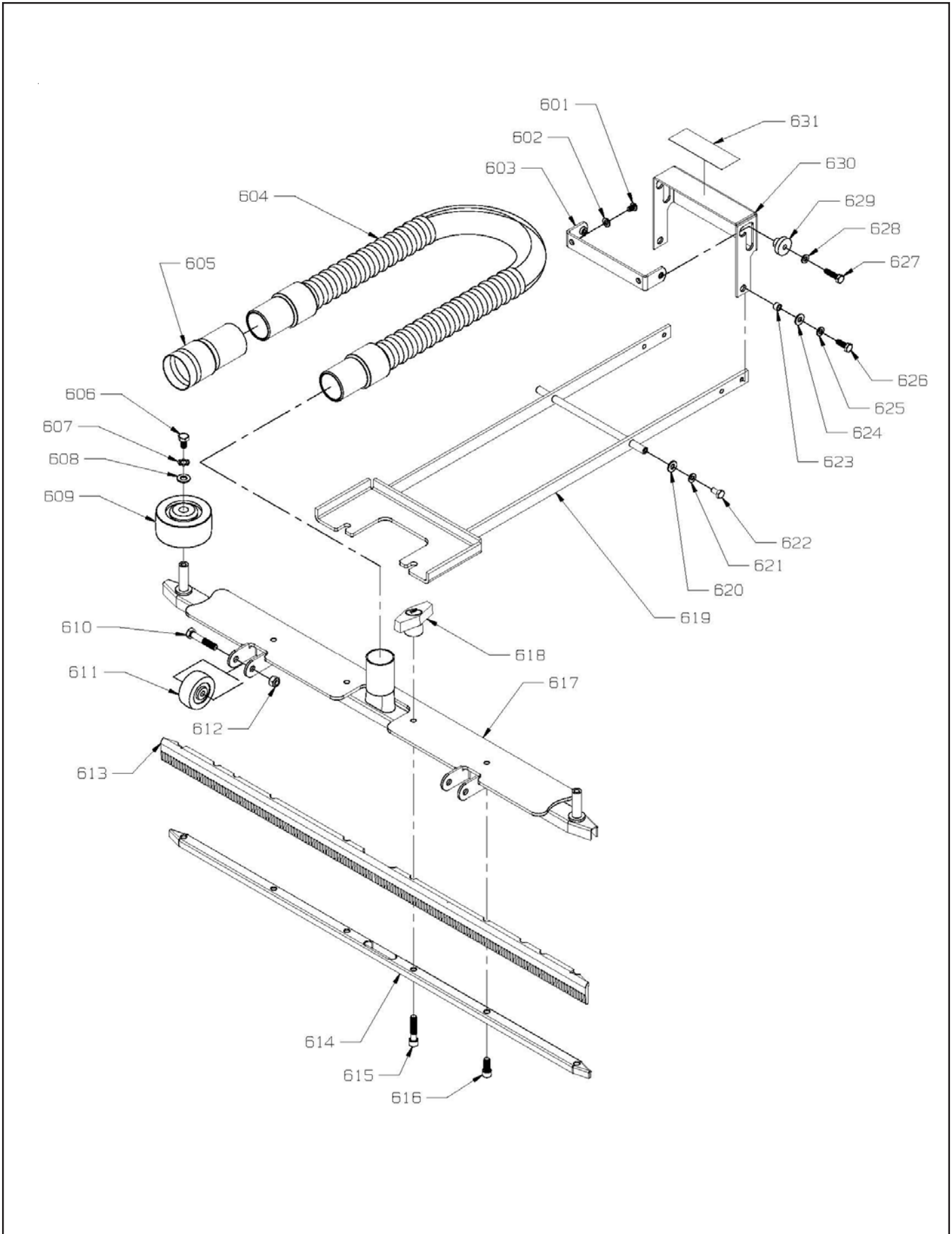
INTERNAL ASSEMBLY



FRONT MOUNT SQUEEGEE ASSEMBLY - 7591319

<u>ITEM</u>	<u>PART NO.</u>	<u>PART DESCRIPTION</u>	<u>QTY.</u>
601	7591571	1/4-20 X 3/8 BUTTON HEAD CAP SCREW	2
602	9120880B	1/4 SPLIT LOCK WASHER - PACK OF 10	2
603	7590681	PIVOT REAR BRACKET	1
604	7590721	32" HOSE WITH CUFFS	1
605	2590801B	HOSE COUPLING 1 1/2"	1
606	9121560B	5/16-18 X 1/2 HEX BOLT - PACK OF 5	2
607	9121410B	5/16 EXTERNAL STAR LOCK WASHER - PACK OF 10	2
608	9121390B	11/32 I.D. X 11/16 O.D. X .051/.080 THICK FLAT WASHER (5/16) - PACK OF 10	2
609	2790281B	3" BUMPER WHEEL	2
610	9121760B	5/16-18 X 1 3/4 HEX BOLT - PACK OF 2	2
611	3096741B	WHEEL - BUMPER - SMALL GRAY	2
612	9121450B	5/16-18 HEX NUT WITH NYLOK INSERT - PACK OF 5	2
613	2791061B	32" REPLACEMENT SQUEEGEE BLADES - PAIR OF 2	1
614	2692523B	INNER CHANNEL	1
615	9121920B	5/16-18 X 1 1/2 SOCKET HEAD CAP SCREW - PACK OF 2	2
616	9121880B	5/16-18 X 3/4 SOCKET HEAD CAP SCREW - PACK OF 2	2
617	2692523B	OUTER CHANNEL	1
618	3392971B	T-KNOB	2
619	7590041	SQUEEGEE LIFT ARM	1
620	9120930B	9/32 I.D. X 5/8 O.D. X .051/.080 THICK FLAT WASHER (1/4) - PACK OF 10	2
621	9120880B	1/4 SPLIT LOCK WASHER - PACK OF 10	2
622	9121170B	1/4-20 X 1/2 HEX BOLT - PACK OF 10	2
623	2791281B	BUSHING SPACER	2
624	9120930B	9/32 I.D. X 5/8 O.D. X .051/.080 THICK FLAT WASHER (1/4) - PACK OF 10	2
625	9120880B	1/4 SPLIT LOCK WASHER - PACK OF 10	2
626	9121250B	1/4-20 X 3/4 HEX BOLT WITH NYLON PATCH - PACK OF 10	2
627	9121270B	1/4-20 X 1 HEX BOLT - PACK OF 10	2
628	9120880B	1/4 SPLIT LOCK WASHER - PACK OF 10	2
629	4495351B	SPACER GUIDE	2
630	7590691	FOOT PEDAL WITH LATCH	1
631	7590711	SQUEEGEE OPERATION DECAL	1

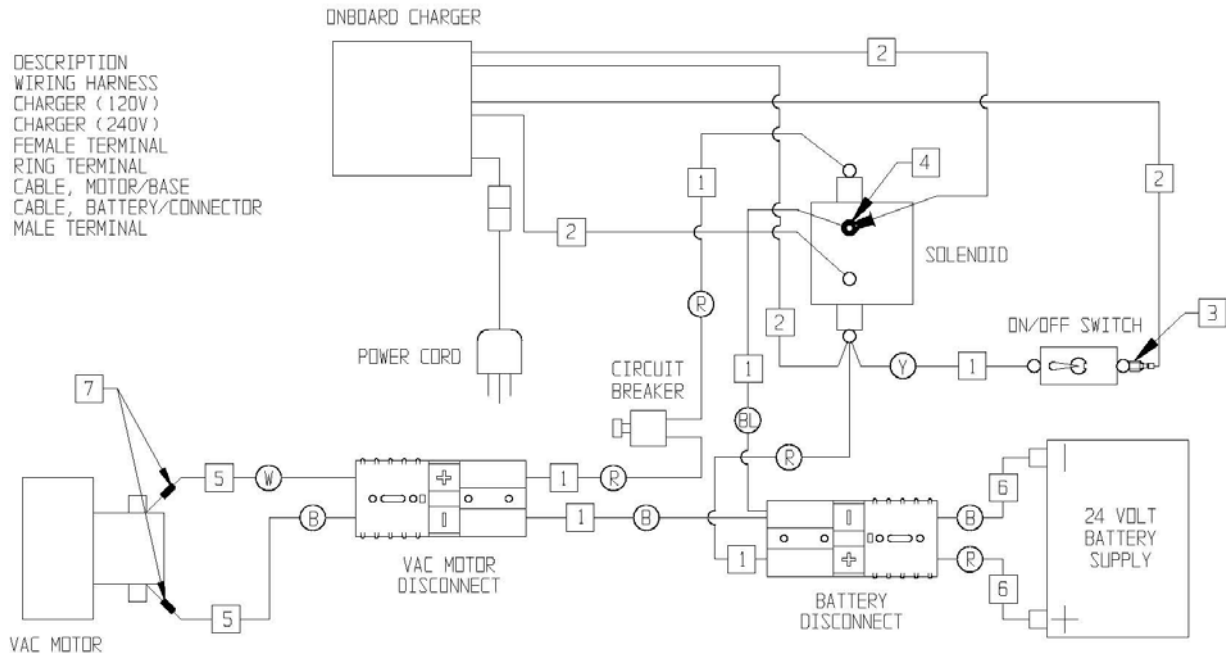
FRONT MOUNT SQUEEGEE ASSEMBLY



WIRING DIAGRAM

ITEM	P/N	DESCRIPTION
1	7590061	WIRING HARNESS
2	1392191B	CHARGER (120V)
	1392251B	CHARGER (240V)
3	5092781B	FEMALE TERMINAL
4	0298981B	RING TERMINAL
5	7590101	CABLE, MOTOR/BASE
6	7590931	CABLE, BATTERY/CONNECTOR
7	7591221	MALE TERMINAL

B=BLACK
R=RED
W=WHITE
Y=YELLOW
BL=BLUE



ACCESSORIES



PART NO.

0891939B
0891949B
7591319
7591309
2595101B
3092311B
7591161
7591171
7591631
7591649
2595101B
3092179B
3092311B
7591161
7591171
7591272
7591621
7591679

7590421
7591701

PART DESCRIPTION

DYNEL FILTER BAG ASSEMBLY
BLUE FILTER BAG ASSEMBLY
FRONT MOUNT SQUEEGEE KIT - ITEMS 601-631 PAGE 10 & 11
GENERAL PURPOSE TOOL KIT - INCLUDES:
10 FT SUPER FLEX HOSE WITH SWIVEL CUFF
CREVICE TOOL
COMBINATION FLOOR TOOL
TELESCOPIC WAND
16" SQUEEGEE TOOL WITH WHEELS
RETAIL STORE TOOL KIT - INCLUDES:
10 FT SUPER FLEX HOSE WITH SWIVEL CUFF
14" URETHANE SQUEEGEE TOOL
CREVICE TOOL
COMBINATION FLOOR TOOL
TELESCOPIC WAND
WAND EXTENSION
15" BRISTLE FLOOR TOOL WITH WHEELS
HEPA FILTER KIT - INCLUDES:
ITEMS 302, 303, 305, 307-326, 331-333, 336-340 PAGES 4 & 5
INTAKE BAFFLE
BATTERY BRUSH FLOOR TOOL W/ BATTERY AND CHARGER



NSS® Enterprises, Inc.

3115 Frenchmens Road, Toledo, Ohio 43607
PHONE (419) 531-2121 FAX (419) 531-3761

NSS® Enterprises, Inc. European Distribution Centre
Unit II, Pinfold Trading Estate * 55 Nottingham Road
STAPLEFORD, NOTTINGHAM NG9 8AD ENGLAND U.K.
PHONE: (44) 0115 939 1568 * FAX: (44) 0115 949 0615