

# COLT HEPA 1250S - 1450P WET/DRY VACUUM

## IMPORTANT SAFETY INSTRUCTIONS



READ AND UNDERSTAND ALL INSTRUCTIONS  
BEFORE OPERATING OR SERVICING MACHINE



THIS MACHINE IS INTENDED FOR COMMERCIAL USE ONLY

### DANGER!

Failure to Observe These Instructions Can Cause Fire, Electrical Burn,  
Shock or Electrocution To Machine Operator or By-Standers.

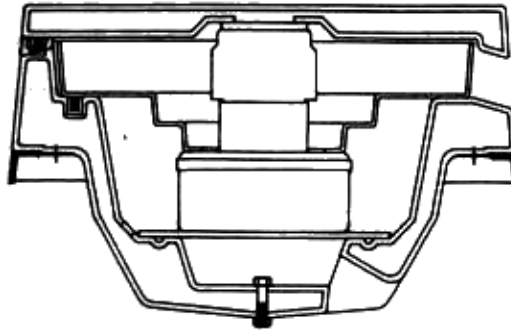
- When using an electrical appliance, basic precautions should always be followed, including the following:
- **NEVER** attempt to operate machine unless you have been trained in its operation.
- **NEVER** allow an untrained person to operate this machine.
- Use this machine **ONLY** as described in this manual. Use only manufacturers recommended attachments.
- **NEVER** operate machine with a damaged, broken, cut, abraded, or taped cord or plug.
- **ALWAYS** connect machine to a properly grounded electrical outlet. See the following pages for grounding instructions and wiring diagram.
- **NEVER** leave machine unattended when plugged in. Unplug machine from electrical outlet when not in use and before attempting repairs or maintenance.
- **ALWAYS** turn machine OFF before unplugging from electrical outlet.
- **NEVER** operate machine in the presence of flammable or combustible liquids, such as gasoline, fumes or dusts.
- **NEVER** attempt to pick up flammable or combustible liquids, such as gasoline, fumes or dusts.
- **NEVER** handle machine, cord or plug with wet hands.
- **NEVER** drop or insert any object into any machine opening.
- **ALWAYS** keep face, fingers, hair or any body part, or loose clothing away from any machine opening or moving part.
- **NEVER** pick up anything that is burning or smoking, such as cigarettes, matches or hot ashes.
- **ALWAYS** use extreme care when cleaning on stairs or when machine is placed on stairs.
- **NEVER** operate machine if it is not working properly, if it has been dropped, damaged, exposed to weather, or dropped into water. Return machine to service center for examination and repair.
- **NEVER** operate machine with any air opening blocked. Keep all air openings free of dust, lint, hair and the like.
- **NEVER** operate machine without dustbag and/or filters in place.
- **DO NOT** pull or carry machine by electrical supply cord, use cord as a handle, close door on cord, pull cord around sharp edges or corners, expose to heated surfaces, or set heavy or sharp objects on cord.
- **NEVER** disconnect plug by pulling on cord. To disconnect from outlet, grasp the plug, not the cord.
- **DO NOT** allow to be used as a toy. Close attention is necessary when used by or near children.
- **DO NOT** expose to rain—STORE INDOORS.

## SAVE THESE INSTRUCTIONS

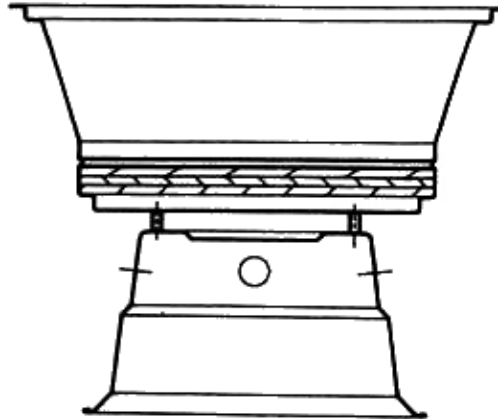


# MICRO FILTER MACHINE ASSEMBLY

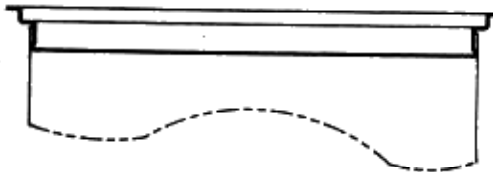
#08-0-082-2 Colt HEPA Powerhead—115 Volt  
#08-0-082-3 Colt HEPA Powerhead—240 Volt  
Use only with Micro Filter or  
HEPA filter Assemblies.



#08-9-219-9 Micro Filter Assy., Ready to Install  
#08-9-218-9 Micro Filter Assy., Factory Installed  
Includes Micro Filter Bag Assy. and  
one paper bag.



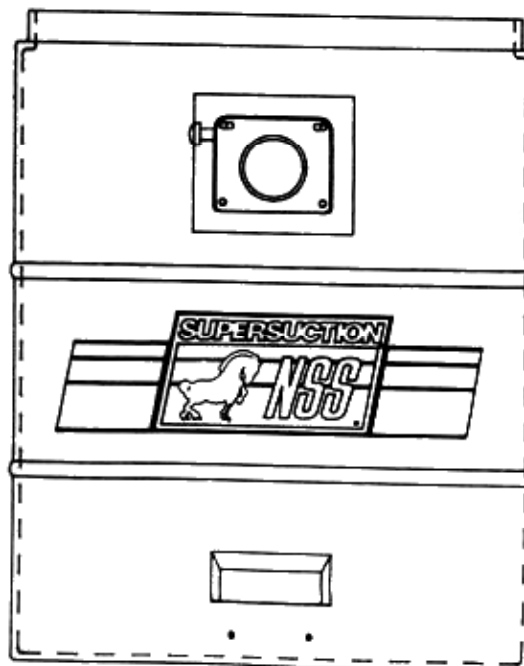
#08-9-216-1 Micro Filter Bag Only, Synthetic



#08-9-217-1 Paper Filter Bag  
(Remove for wet pickup)

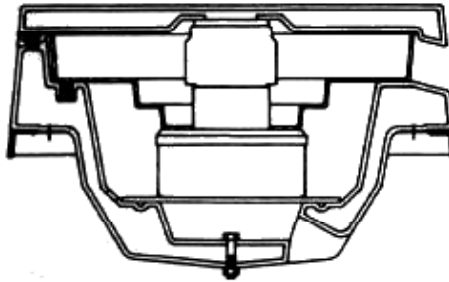


#08-9-150-9 1450 Poly Tank  
#08-9-154-9 1250 Stainless Steel Tank

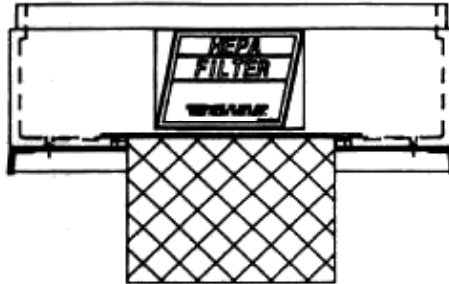


# HEPA FILTER MACHINE ASSEMBLY

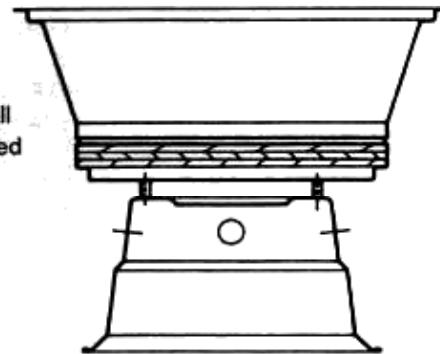
#08-0-0822 Colt HEPA Powerhead—115 Volt  
#08-0-0823 Colt HEPA Powerhead—240 Volt  
Use only with Micro Filter or  
HEPA Filter Assemblies.



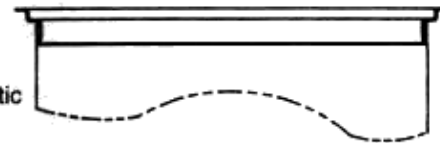
#08-9-190-9 Micro Filter Mount Assembly



#08-9-219-9 Micro Filter Assy., Ready to Install  
#08-9-218-9 Micro Filter Assy., Factory Installed  
Includes Micro Filter Bag Assy. and  
one paper bag.



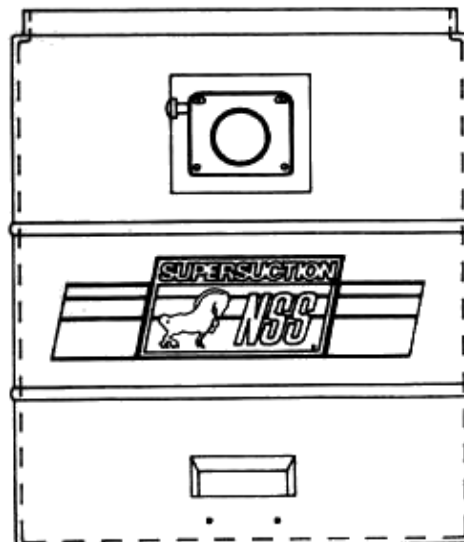
#08-9-216-1 Micro Filter Bag Only, Synthetic



#08-9-217-1 Paper Filter Bag  
(Remove for wet pick up)



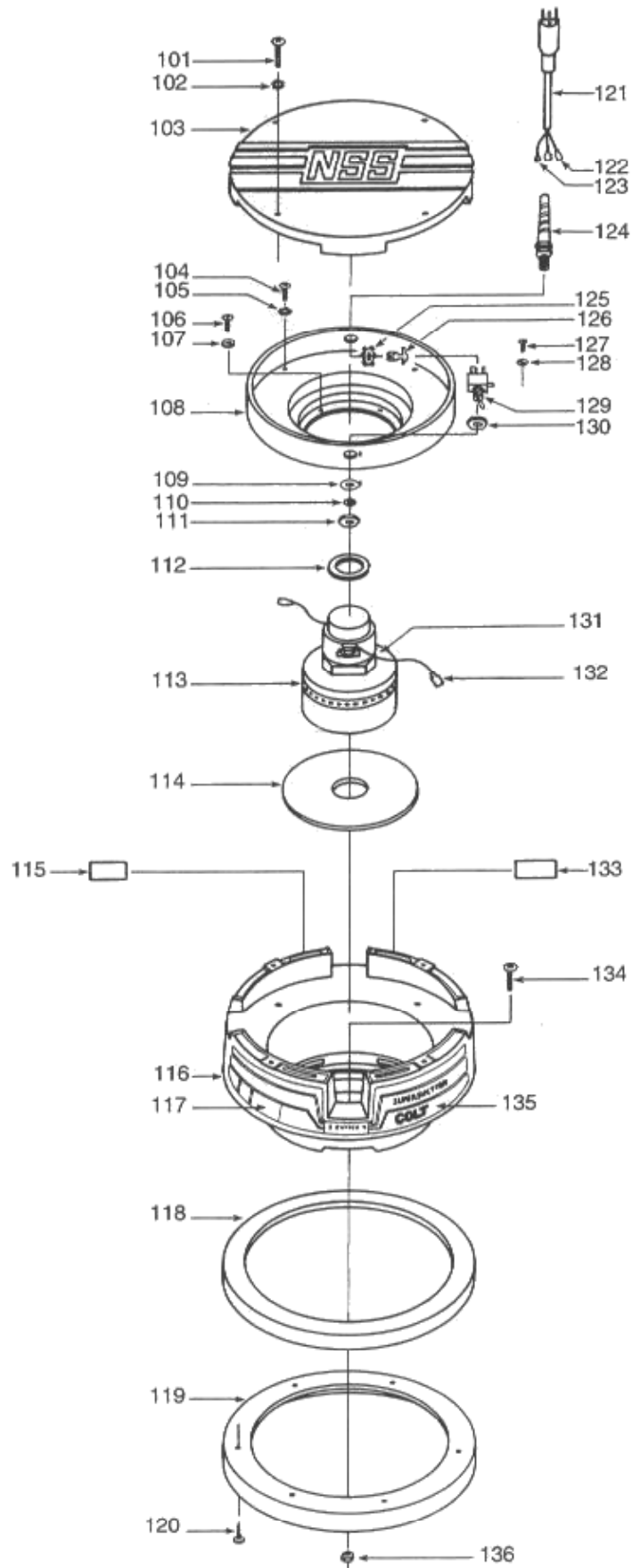
#08-9-150-9 1450 Poly Tank  
#08-9-154-9 1250 Stainless Tank



**COLT HEPA 1250S - 1450P POWERHEAD**  
**FOR USE WITH HEPA FILTER ASSEMBLY AND MICRO FILTER ASSEMBLY**  
**08-0-082-2 115 VOLT**  
**08-0-082-3 240 VOLT**

<u>Item No.</u>	<u>Part No.</u>	<u>Description</u>	<u>Qty.</u>
101	91-2-102-0	1/4-20 X 1 TRUSS HEAD PHILLIPS MACHINE SCREW	4
102	91-2-097-0	1/4 EXTERNAL TOOTH LOCK WASHER	4
103	08-9-120-1	TOP COVER	1
104	91-2-104-0	1/4-20 X 5/8 ROUND HEAD PHILLIPS MACHINE SCREW	4
105	91-2-097-0	1/4 EXTERNAL TOOTH LOCK WASHER	4
106	91-2-061-0	10-24 X 5/8 PAN HEAD PHILLIPS THREAD CUTTING SCREW	4
107	91-2-033-0	#10 EXTERNAL TOOTH LOCK WASHER	4
108	08-9-121-1	AIR SEPARATOR	1
109	46-9-162-1	SWITCH LOCK RING	1
110	06-9-185-1	SWITCH LOCK WASHER	1
111	07-9-894-1	9/16 HEX NUT, SMALL	1
112	02-9-434-1	TOP MOTOR SEAL, NEOPRENE	1
113	02-9-643-9	VACUUM MOTOR ASSEMBLY, 115 VOLT	1
	02-9-645-9	VACUUM MOTOR ASSEMBLY, 230 VOLT	1
	02-9-933-1	CARBON BRUSH, 115 VOLT (NOT SHOWN)	2
114	08-9-122-1	LOWER SEAL GASKET	1
115	01-9-077-1	WARNING LABEL	1
116	08-9-101-1	LID, MOTOR AND FLOAT SUPPORT	1
117	08-9-125-1	MICRO FILTER STAND LABEL	1
118	08-9-106-1	LID GASKET	1
119	08-9-105-3	LID GASKET SUPPORT	1
120	91-2-079-0	10 X 5/8 PAN HEAD SHEET METAL SCREW	6
121	02-9-962-1	POWER CORD 35 FOOT, 18 - 3	1
122	49-9-136-1	FULLY INSULATED FEMALE TERMINAL	2
123	02-9-898-1	#10 RING TERMINAL	1
124	02-9-953-1	CORD STRAIN RELIEF	1
125	08-9-113-1	STRAIN RELIEF NUT (PLASTIC)	1
126	02-9-966-1	STRAIN RELIEF CORD CLAMP	1
127	91-2-059-0	10-24 X 3/8 PAN HEAD PHILLIPS THREAD CUTTING SCREW	1
128	91-2-032-0	#10 SPLIT LOCK WASHER	1
129	08-9-114-1	TOGGLE SWITCH	1
	08-9-214-1	TOGGLE SWITCH INSULATOR	1
130	07-9-882-1	5/8 HEX NUT, LARGE	1
131	46-9-010-1	VAC MOTOR FLOAT GASKET	1
132	49-9-136-1	FULLY INSULATED FEMALE TERMINAL	2
133	01-9-078-1	GROUNDING LABEL	1
134	91-2-102-0	1/4-20 X 1 TRUSS HEAD PHILLIPS MACHINE SCREW	1
135	08-9-123-1	COLT IDENTIFICATION LABEL	1
136	91-2-090-0	1/4-20 NYLON INSERT LOCK NUT	1

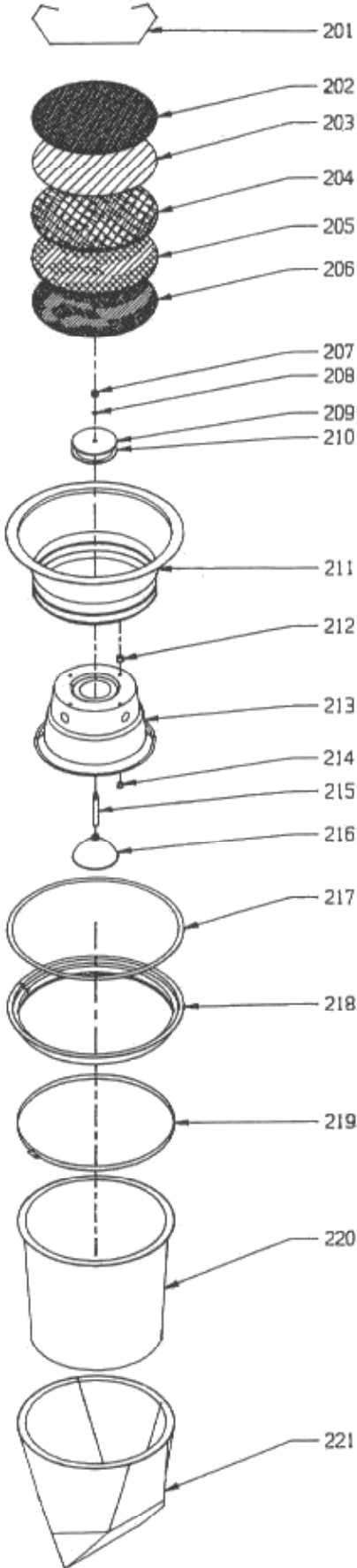
# COLT HEPA 1250S - 1450P POWERHEAD



**MICRO FILTER ASSEMBLY  
08-9-219-9 READY TO INSTALL  
08-9-218-9 FACTORY INSTALLED**

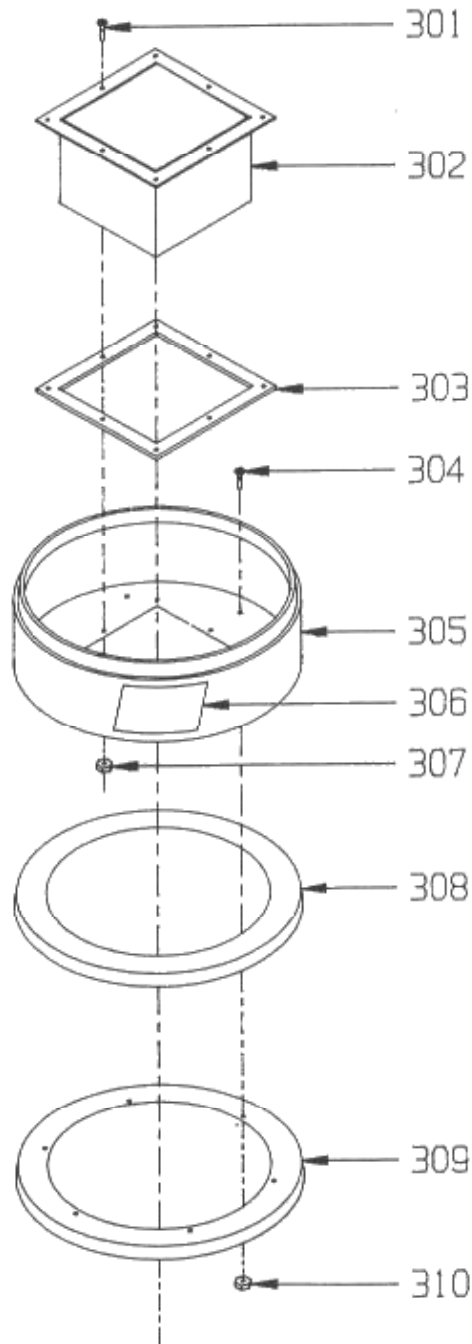
<u>Item No.</u>	<u>Part No.</u>	<u>Description</u>	<u>Qty.</u>
201	06-9-124-1	RETAINING WIRE	1
202	06-9-123-1	SCREEN	1
	23-9-256-1	SCREEN PULL RING (NOT SHOWN)	1
203	08-9-119-1	UPPER FILTER DISC - FIBER	1
204	06-9-122-1	FINE FILTER, 80 PORE	1
205	08-9-118-1	LOWER FILTER DISC	1
206	06-9-123-1	SCREEN	1
207	91-2-035-0	10-24 NYLON INSERT LOCK NUT	1
208	02-9-123-1	BRASS WASHER	1
209	06-9-127-1	FLOAT DISC	1
210	06-9-126-1	FLOAT DISC GASKET	1
211	06-9-119-9	MICRO FILTER SUPPORT	1
212	06-9-142-2	SPACER	4
213	06-9-120-9	MICRO FILTER MOTOR STAND ASSEMBLY	1
214	91-2-078-0	10-32 X 1 1/4 ROUND SLOT MACHINE SCREW	4
215	06-9-143-1	FLOAT STEM	1
216	06-9-031-1	FLOAT ONLY	1
	06-9-031-9	FLOAT WITH STEM	1
217	06-9-175-1	BAG RING GASKET	1
218	06-9-034-1	BAG RING	1
	06-9-177-9	BAG RING WITH GASKET	1
219	06-9-022-2	BAND CLAMP	1
220	08-9-216-1	MICRO FILTER BAG, SYNTHETIC	1
221	08-9-217-1	PAPER FILTER BAG	1

# MICRO FILTER ASSEMBLY



# HEPA FILTER ASSEMBLY

08-9-190-9 Ready To Install

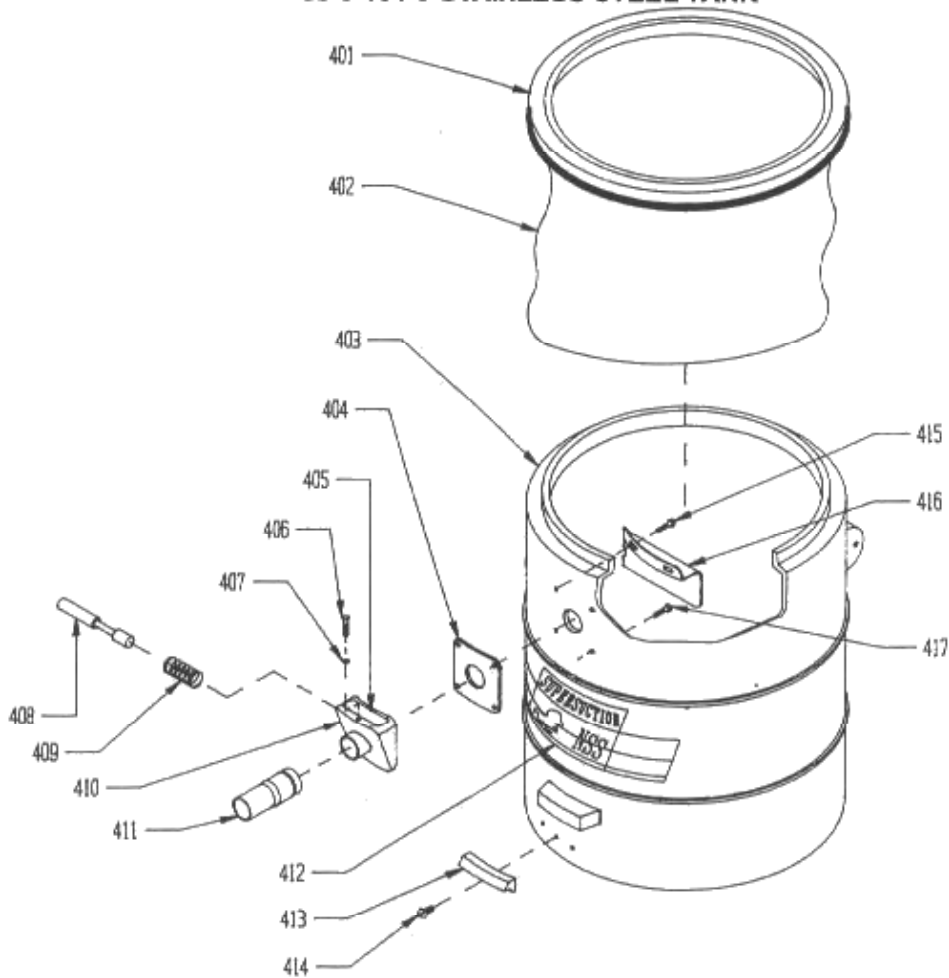


Item No.	Part No.	Description	Qty.
301	91-2-053-0	10-24 X 7/8 TRUSS HEAD PHILLIPS MACHINE SCREW	8
302	08-9-129-1	HEPA FILTER	1
303	08-9-128-1	HEPA FILTER GASKET	1
304	91-2-052-0	10-24 X 5/8 TRUSS HEAD PHILLIPS MACHINE SCREW	6
305	08-9-132-1	HEPA FILTER STAND	1
306	08-9-127-1	LABEL - HEPA FILTER STAND	1
307	91-2-036-0	10-24 K LOCK NUT	8
308	08-9-106-1	LID GASKET	1
309	08-9-105-3	LID GASKET SUPPORT	1
310	91-2-036-0	10-24 K LOCK NUT	6



# COLT HEPA 1250S - 1450P TANK ASSEMBLY

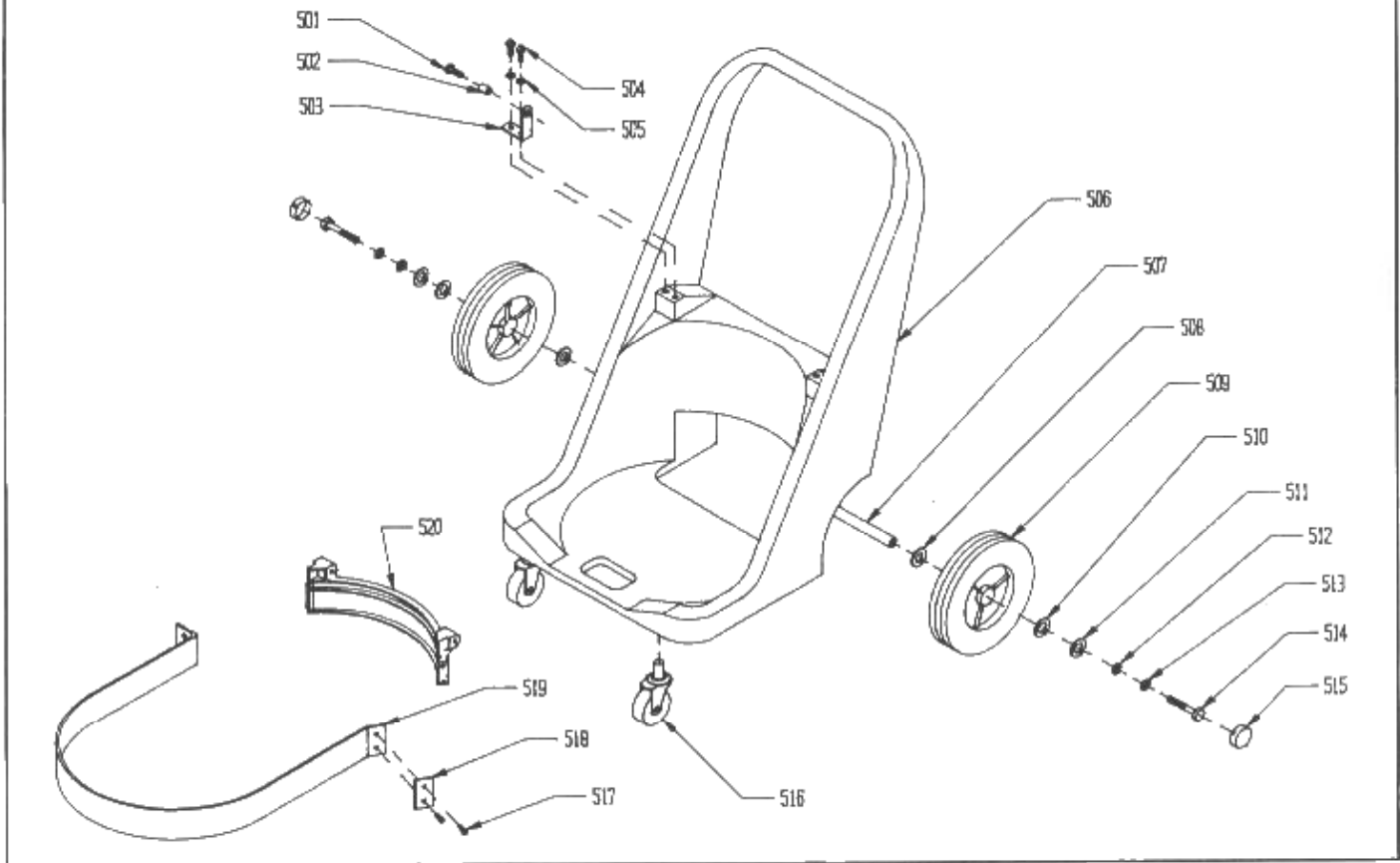
08-9-150-9 POLY TANK  
08-9-154-9 STAINLESS STEEL TANK



<u>Item No.</u>	<u>Part No.</u>	<u>Description</u>	<u>Qty.</u>
401	06-9-175-1	BAG RING GASKET	1
402	08-9-216-1	MICRO FILTER BAG ONLY, SYNTHETIC	1
403	08-9-150-1	1450 POLY CONTAINER ONLY	1
	06-9-037-3	STAINLESS STEEL CONTAINER ONLY	1
404	46-9-053-1	INTAKE GASKET	1
405	08-9-124-1	BAG INSTRUCTION LABEL	1
406	91-2-023-0	8-32 X 1/2 PAN HEAD PHILLIPS MACHINE SCREW	1
407	91-2-020-0	#8 SPLIT LOCK WASHER	1
408	02-9-927-1	PLUNGER PIN	1
409	02-9-926-1	PLUNGER SPRING	1
410	02-9-701-5	INTAKE ONLY, POLISHED	1
	02-9-700-9	INTAKE ASSEMBLY (INCLUDES ITEMS 4 - 10)	1
411	25-9-080-1	1 1/2" HOSE COUPLING, STANDARD	1
	25-9-090-1	2" HOSE COUPLING, OPTIONAL	1
		(NOT INCLUDED WITH TANK ASSEMBLY)	
412	02-9-217-1	LABEL - TANK NSS	1
413	07-9-868-5	CONTAINER LIFT HANDLE (POLY TANK ONLY)	1
414	91-2-054-0	10-24 X 1/2 FLAT HEAD PHILLIPS MACHINE SCREW	3
		(POLY TANK ONLY)	
415	91-2-063-0	10-24 X 7/8 PAN HEAD PHILLIPS THREAD CUTTING SCREW	2
416	02-9-710-1	INTAKE BAFFLE	1
417	91-2-063-0	10-24 X 7/8 PAN HEAD PHILLIPS THREAD CUTTING SCREW	2

# COLT HEPA 1250S - 1450P

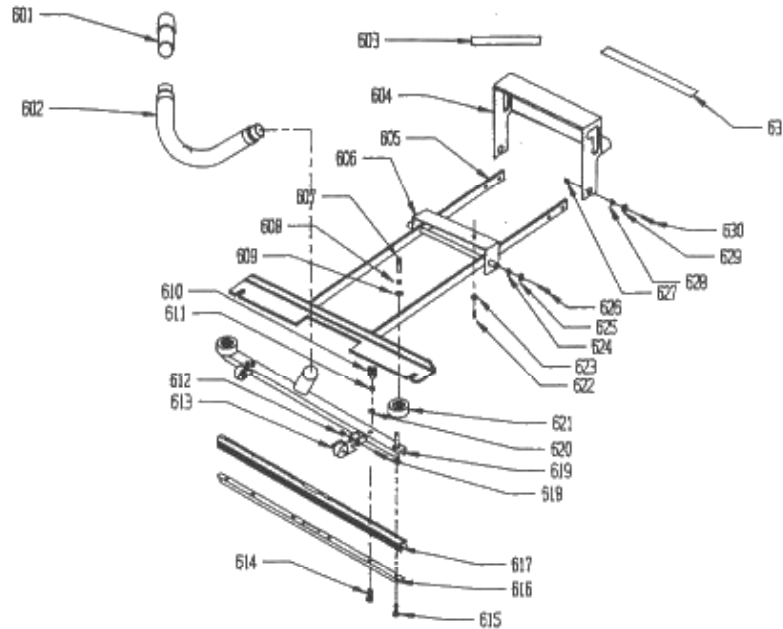
## 08-9-160-9 TIP DISPOSE BASE ASSEMBLY



<u>Item No.</u>	<u>Part No.</u>	<u>Description</u>	<u>Qty.</u>
501	91-2-204-0	3/8-16 X 1 ROUND HEAD PHILLIPS MACHINE SCREW	2
502	02-9-097-1	PIVOT SPACER	2
503	08-9-162-3	PIVOT BRACKET	2
504	91-2-109-0	1/4-20 X 1/2 TRUSS HEAD PHILLIPS MACHINE SCREW	4
505	91-2-088-0	1/4 SPLIT LOCK WASHER	1
506	08-9-160-1	TIP DISPOSE BASE, POLY	1
507	08-9-161-1	AXLE, TIP DISPOSE BASE	1
508	53-9-081-1	NYLATRON AXLE WASHER	2
509	05-9-926-1	10" WHEEL - WHITE PLASTIC	2
510	53-9-081-1	NYLATRON AXLE WASHER	2
511	10-9-987-1	FLAT WASHER	2
512	91-2-093-0	1/4 SAE FLAT WASHER	2
513	91-2-088-0	1/4 SPLIT LOCK WASHER	2
514	91-2-121-0	1/4-20 X 5/8 HEX HEAD BOLT	2
515	05-9-931-1	HUBCAP - BLACK PLASTIC	2
516	02-9-049-1	CASTER	2
517	91-2-125-0	1/4-20 X 3/4 HEX HEAD BOLT (STAINLESS STEEL TANK ONLY)	4
518	06-9-053-2	BAND CLAMP PLATE (STAINLESS STEEL TANK ONLY)	1
519	06-9-052-2	TANK BAND CLAMP (STAINLESS STEEL TANK ONLY)	1
520	06-9-032-5	HINGE BRACKET (STAINLESS STEEL TANK ONLY)	1

# COLT HEPA 1250S - 1450P

## 30-9-825-9 FRONT MOUNT SQUEEGE ASSEMBLY (OPTIONAL)

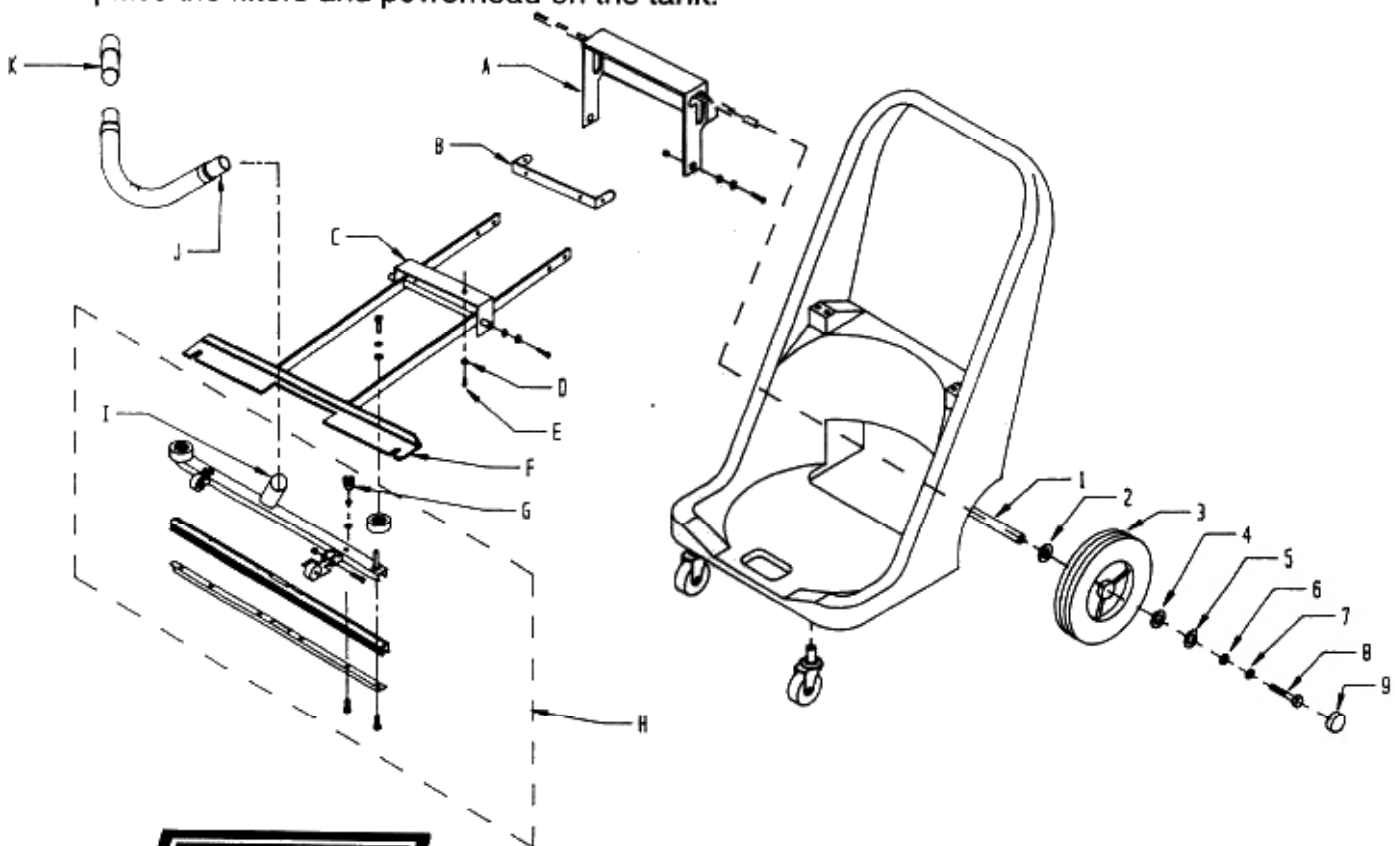


<u>Item No.</u>	<u>Part No.</u>	<u>Description</u>	<u>Qty.</u>
601	25-9-080-1	1 1/2" HOSE COUPLING	1
602	08-9-175-1	FRONT MOUNT SQUEEGE HOSE WITH END CUFFS	1
	25-9-960-1	REPLACEMENT CUFF - PLASTIC HOSE 1 25/32	1
	25-9-961-1	REPLACEMENT CUFF - PLASTIC HOSE 1 1/2	1
603	08-9-174-1	PUSH TO LOWER, DECAL	1
604	08-9-170-3	FOOT PEDAL WITH LATCH	1
605	08-9-172-3	MOUNTING PLATE	1
606	08-9-171-3	LOWER PIVOT BRACKET	1
607	91-2-156-0	5/16-18 X 1/2 HEX HEAD BOLT	2
608	91-2-141-0	5/16 EXTERNAL TOOTH LOCK WASHER	2
609	91-2-139-0	5/16 SAE FLAT WASHER	2
610	27-9-100-2	SQUEEGEE KNOB	2
611	91-2-142-0	5/16-18 HEX NUT	2
612	91-2-145-0	5/16-18 NYLON INSERT LOCK NUT	2
613	30-9-674-1	SQUEEGE ROLLER WHEEL, GRAY	2
614	91-2-192-0	5/16-18 X 1 1/2 SOCKET HEAD CAP SCREW	2
615	91-2-188-0	5/16-18 X 3/4 SOCKET HEAD CAP SCREW	2
616	23-9-128-3	SQUEEGE INNER CHANNEL	1
617	23-9-126-1	SQUEEGEE BLADE, 2 PIECE SET	1
618	91-2-176-0	5/16-18 X 1 3/4 HEX HEAD BOLT	2
619	23-9-127-3	SQUEEGE OUTER CHANNEL	1
620	91-2-141-0	5/16 EXTERNAL TOOTH LOCK WASHER	2
621	27-9-028-1	SQUEEGEE BUMPER WHEEL, BLACK	2
622	91-2-117-0	1/4-20 X 1/2 HEX HEAD BOLT	2
623	91-2-088-0	1/4 SPLIT LOCK WASHER	2
624	91-2-093-0	1/4 SAE FLAT WASHER	2
625	91-2-088-0	1/4 SPLIT LOCK WASHER	2
626	91-2-117-0	1/4-20 X 1/2 HEX HEAD BOLT	2
627	27-9-128-6	SPACER BUSHING	2
628	91-2-093-0	1/4 SAE FLAT WASHER	2
629	91-2-088-0	1/4 SPLIT LOCK WASHER	2
630	91-2-125-0	1/4-20 X 3/4 HEX HEAD BOLT	2
631	08-9-173-1	PRESS TO RAISE, DECAL	1
	23-9-234-9	SQUEEGE ASSEMBLY (INCLUDES ITEMS 610 - 621)	

# FRONT MOUNT SQUEEGEE ASSEMBLY

## INSTALLATION INSTRUCTIONS—COLT HEPA 1250S - 1450P

1. Turn the unit OFF, remove the powerhead and filters from the tank.
2. Empty all of the recovered material from the tank. Turn the base and container assembly upside down.
3. Remove the rear pivot bracket (B) from the foot pedal (A), and discard it.
4. Mount the lower pivot bracket (C), to the bottom of the base with two (2) split lock washers (D), and two (2) 1/4-20 x 1/2 hex head bolts (E).
5. Remove one of the rear wheels and the washers from one side of the axle, be sure to note the position of the washers.
6. Slide the axle approximately 3/4 of the way out from the base. Position the foot pedal at the rear of the base. Slide the axle through the foot pedal and back in to the base.
7. Reassemble the wheel and the washers on the axle in the following manor:
  1. Axle
  2. Nylatron axle washer
  3. 10" Wheel
  4. Nylatron axle washer
  5. Large flat washer
  6. 1/4 Flat washer
  7. 1/4 Split lock washer
  8. 1/4-20 x 3/8 Hex bolt
  9. Hubcap
8. Turn the base and container assembly right side up.
9. Attach the squeegee assembly (H) to the mounting plate (F) with the knobs provided (G).  
**NOTE:** The gray squeegee wheels must face away from the base.
11. Slide the hose cuff (J) of one end of the squeegee hose into the squeegee tube (I), and the other end into the hose coupling (K). Insert the hose coupling into the tank intake.
12. Replace the filters and powerhead on the tank.



**THE NATIONAL SUPER SERVICE COMPANY**

3115 FRENCHMENS ROAD, TOLEDO, OHIO 43607-2958

PHONE (419) 531-2121 • FAX (419) 531-3761