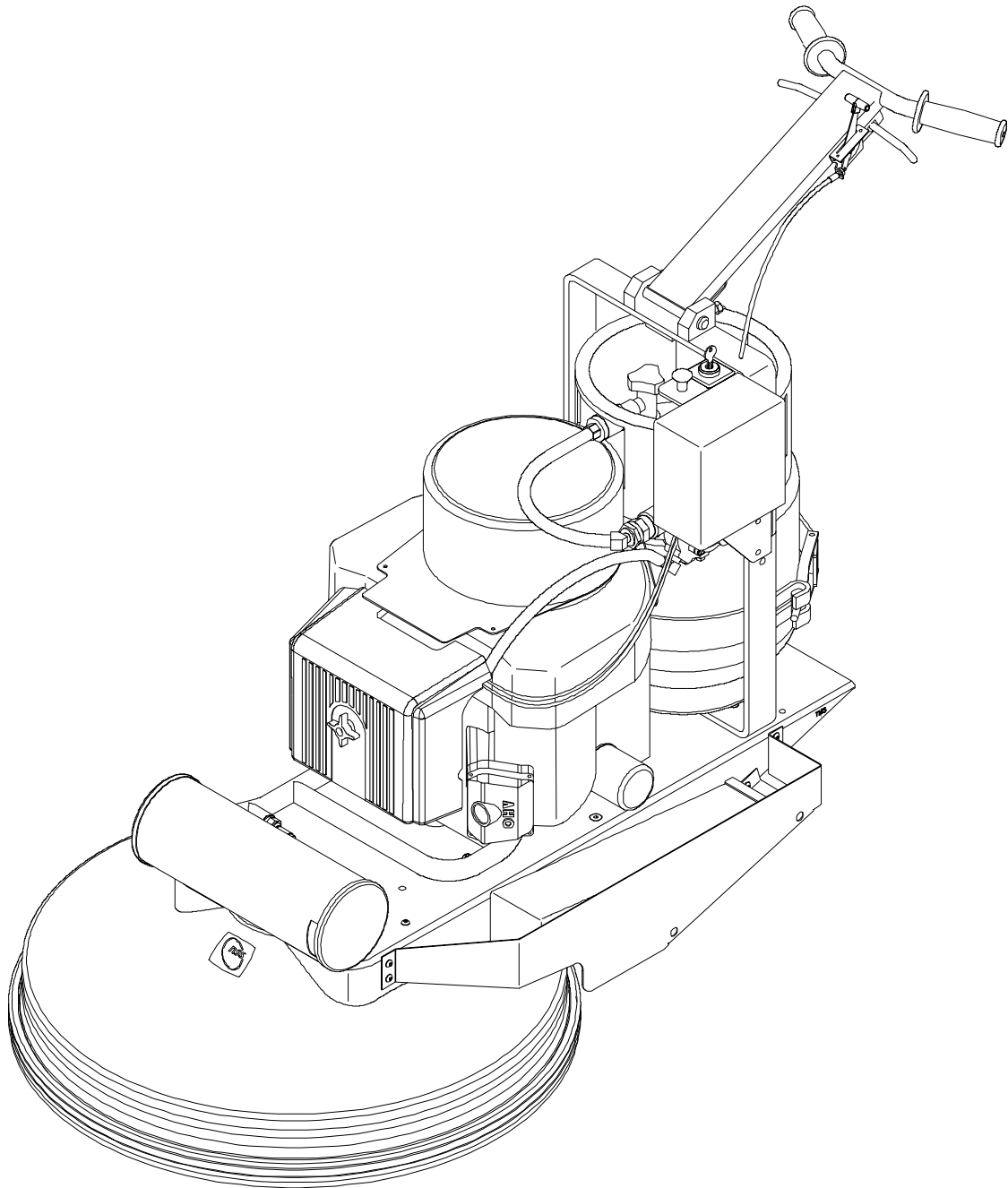


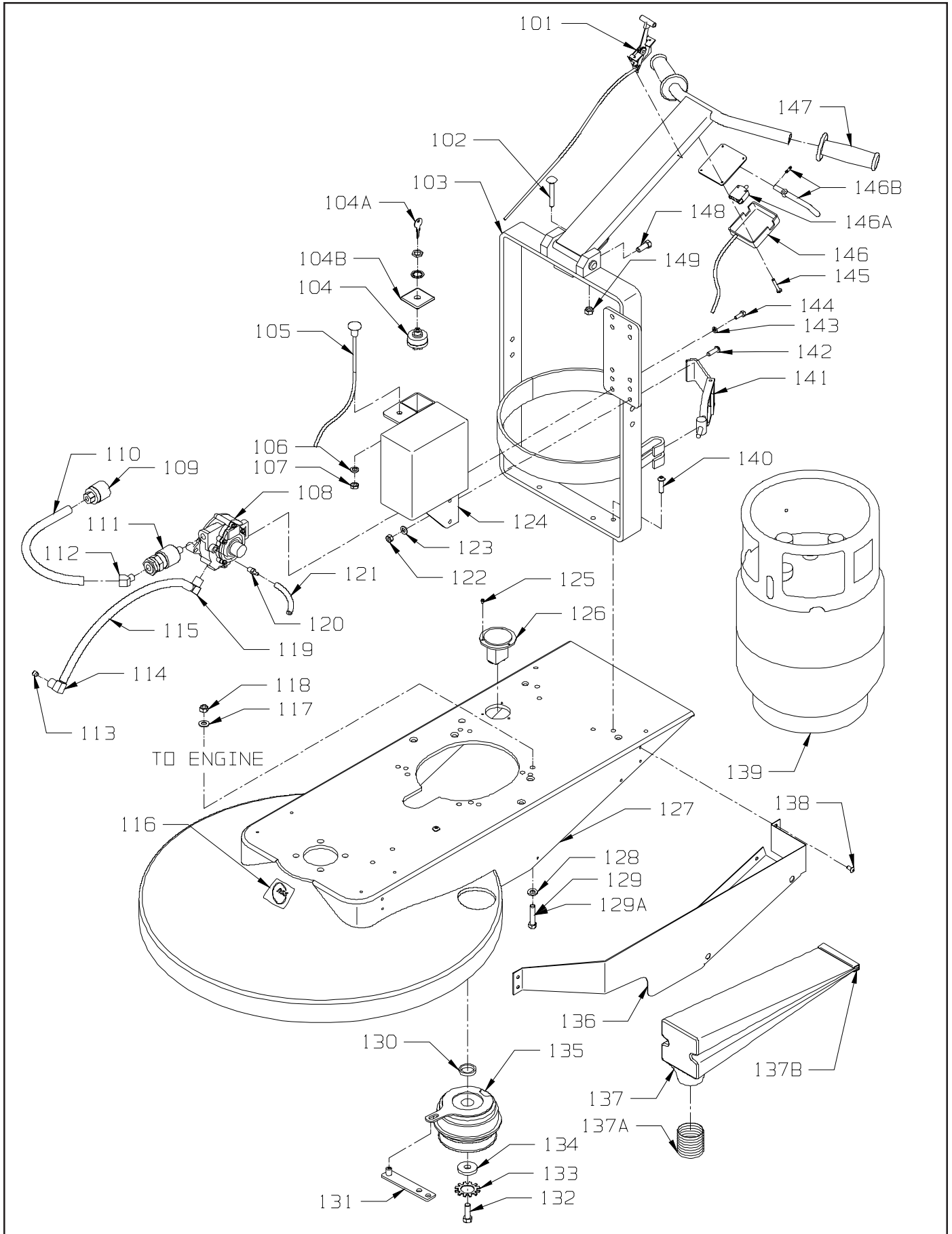
PARTS LIST
COMMANDER 20 VAC-TRAC
COMMANDER 27 VAC-TRAC
FH 541V



UPPER ASSEMBLY

<u>ITEM</u>	<u>PART NO.</u>	<u>DESCRIPTION</u>	<u>QTY.</u>
101	6190481	THROTTLE CABLE FOR MODELS WITH ADDITIONAL CHOKE CABLE	1
101	6190751	THROTTLE CABLE FOR MODELS WITH OUT ADDITIONAL CHOKE CABLE	1
N/S	-----	#8 X 1/2 WASHER HEAD THREAD CUTTING SCREW FOR THROTTLE CABLE	2
102	6190921	3/8-16 X 2 1/2 CARRIAGE BOLT	1
103	6190501	HANDLE	1
104	6190411	KEY SWITCH COMPLETE - INCLUDES:	1
104A	6190511	REPLACEMENT KEY	1
104B	6190421	KEY SWITCH HOUSING	1
105	6190521	CHOKE CABLE	1
106	9122100	3/8 SPLIT LOCK WASHER - PACK OF 10	1
107	9121990	3/8-16 HEX JAM NUT - PACK OF 10	1
108	6190441	REGULATOR	1
109	6190471	QUICK COUPLING	1
110	6190461	HOSE LP TANK TO REGULATOR	1
111	6190451	FUEL LOCK WITH FILTER - 12 VOLT	1
112	6590171	45° STREET ELBOW 1/4	1
113	6191411	FUEL VENTURE (BRASS PLUG 1/8 - #32)	1
114	6190731	3/8 HOSE X 1/4 MP ELBOW	1
115	6190531	HOSE - 3 FOOT - FUEL	1
116	7690931	DECAL - NSS LOGO	1
117	6190151	5/16 FLAT WASHER	2
118	9121450	5/16-18 HEX NUT WITH NY-LOK INSERT - PACK OF 5	2
119	6190541	90° BRASS ELBOW - 3/8 NPT X 5/16 HOSE	1
120	6190551	FITTING 1/4 BARB X 1/4 NPT	1
121	6190561	HOSE - 3 FOOT - VAC	1
122	9121450	5/16-18 HEX NUT WITH NY-LOK INSERT - PACK OF 5	5
123	6190161	5/16 SAE WASHER	5
124	6190401	BATTERY BOX	1
	6190331	BATTERY - 12 VOLT (NOT SHOWN)	1
125	2391751	1/8 X 5/8 DOME HEAD POP RIVET - STEEL	3
126	6190321	HOUR METER	1
127	6191511	DECK - 20" - VAC-TRAC	1
127	6190031	DECK - 27" - VAC-TRAC	1
128	9121390	11/32 I.D. X 11/16 O.D. X .051/.080 THICK FLAT WASHER (5/16) - PACK OF 10	4
129	9121760	5/16-18 X 1 3/4 HEX BOLT - 3 PLACES - PACK OF 2	3
129	9121800	5/16-18 X 2 HEX BOLT - 1 PLACE - PACK OF 2	1
130	6190571	CLUTCH SPACER	1
131	6190581	CLUTCH ARM HOLDER	1
132	6190931	7/16-20 X 1 HEX BOLT	1
133	6190781	7/16 EXTERNAL STAR LOCK WASHER	1
134	6190591	CLUTCH WASHER	1
135	6190201	ELECTRIC CLUTCH	1
136	6191551	BAG TRAY 20" - VAC-TRAC	1
136	6190041	BAG TRAY 27" - VAC-TRAC	1
137	6190051	BAG - INCLUDES:	1
137A	6190061	2" I. D. HOSE	1
137B	6190741	BAG CLAMP ONLY	1
138	6190941	1/4-20 X 1/2 BUTTON HEAD CAP SCREW	6
139	6190381	LP TANK	1
140	6190951	5/16-18 X 1 1/4 BUTTON HEAD CAP SCREW	4
141	6590111	CLAMP - TANK	1
142	6190961	5/16-18 X 1 BUTTON HEAD CAP SCREW	2
143	9120880	1/4 SPLIT LOCK WASHER - PACK OF 10	2
144	9121210	1/4-20 X 5/8 HEX BOLT - PACK OF 10	2
145	6190911	8 X 1 1/2 HEX HEAD SELF TAPPING SCREW	3
146	6190631	CLUTCH SWITCH ASSEMBLY - COMPLETE - INCLUDES:	1
146A	6190711	SWITCH (CLUTCH)	1
146B	6190721	ARM AND SPRING	2
147	3392901	HANDLE GRIP	2
148	9122260	3/8-16 X 1 HEX BOLT - GRADE 8 - PACK OF 2	2
149	9122140	3/8-16 HEX NUT WITH NY-LOK INSERT - PACK OF 5	1

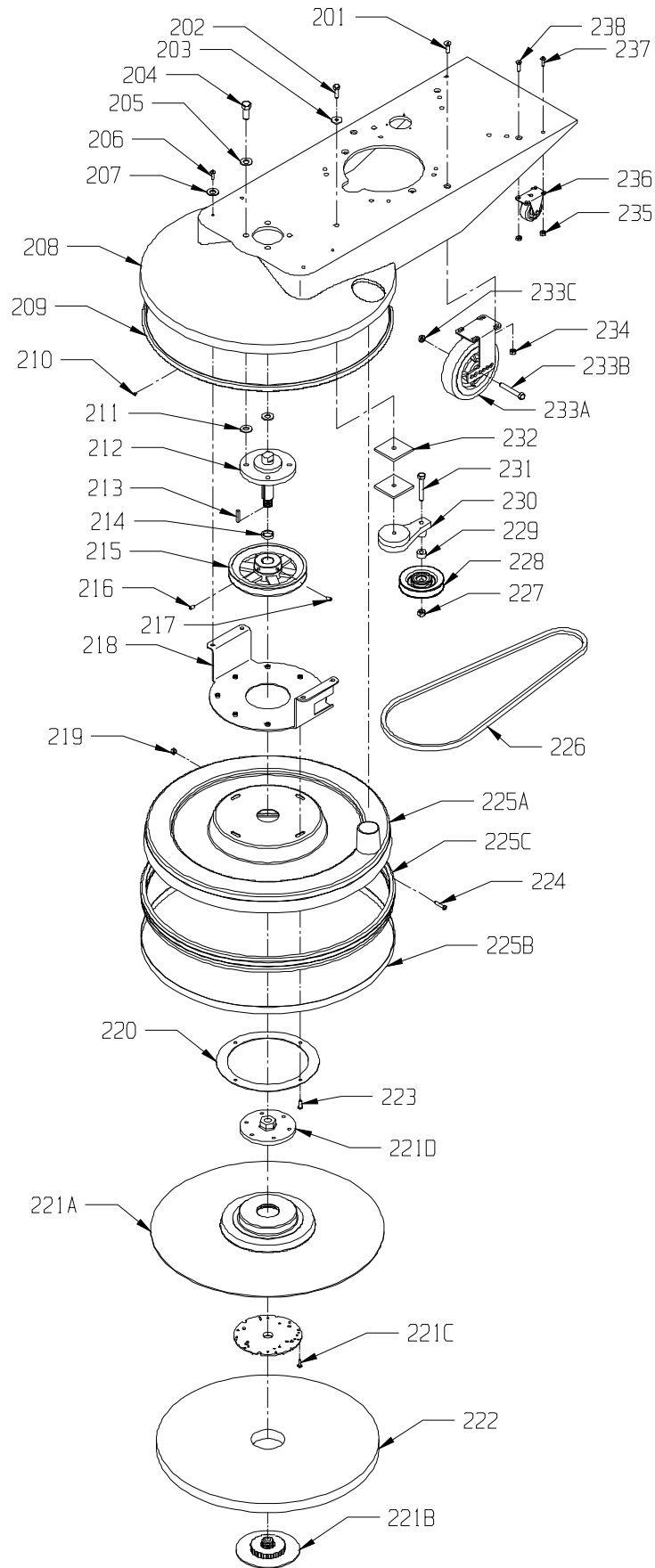
UPPER ASSEMBLY



LOWER ASSEMBLY 20"

<u>ITEM</u>	<u>PART NO.</u>	<u>DESCRIPTION</u>	<u>QTY.</u>
201	6190971	5/16-18 X 1 FLAT HEAD SOCKET CAP SCREW	4
202	9122075	3/8-16 X 1 1/2 HEX HEAD BOLT - PACK OF 2	1
203	9122110	3/8 I.D. X 1 1/2 O.D. FENDER WASHER - PACK OF 10	1
204	6190801	7/16-20 X 1 1/4 HEX BOLT	4
205	6190811	7/16 SAE FLAT WASHER	4
206	6190991	1/4-20 X 3/4 BUTTON HEAD CAP SCREW	4
207	6190821	# 8 SAE FLAT WASHER	4
208	6191511	DECK - 20" - VAC-TRAC	1
209	6190641	BUMPER MOLDING	1
210	2391751	1/8 X 5/8 DOME HEAD POP RIVET	7
211	6190811	7/16 SAE FLAT WASHER	1
212	6190701	FRONT BEARING AND SHAFT ASSEMBLY - 20" - VAC-TRAC - INCLUDES:	1
212A	6190651	FRONT BEARING HOUSING	1
212B	6190691	DRIVEN SHAFT - 20" - VAC-TRAC	1
212C	6190671	SNAP RING	2
212D	6190681	205pp BEARING	2
213	6190981	1/4 SQUARE X 1 1/4 LONG KEY	1
214	6191741	PAD DRIVER SPACER - 1/4	1
215	6191701	PULLEY 7.0 - 20" - VAC-TRAC	1
216	9121380	5/16-18 X 3/8 SET SCREW - KNURL POINT - PACK OF 2	1
217	6190831	5/16-18 X 1/2 SET SCREW FULL DOG	1
218	6190021	FLEXIWALL SHIELD MOUNT	1
219	9120660	10-32 HEX NUT WITH NY-LOK INSERT - PACK OF 10	1
220	6191541	FLEXIWALL SHIELD MOUNTING RING - 20" - VAC-TRAC	1
221	6191731	20" PAD DRIVER COMPLETE - INCLUDES:	1
221A	6191721	PAD DRIVER 20"	1
221B	6190251	CENTER LOCK PAD HOLDER - BLACK	1
221C	9120450	10-24 X 1 ROUND HEAD PHILLIPS MACHINE SCREW - PACK OF 10	3
221D	6190261	FLANGE	1
222	-----	PAD - FOR INFORMATION SEE ACCESSORIES PAGE	1
223	6190941	1/4-20 X 1/2 BUTTON HEAD CAP SCREW	4
224	6190171	10-32 X 1 1/2 PAN HEAD PHILLIPS MACHINE SCREW - VAC-TRAC	1
225	6191531	FLEXIWALL SHIELD ASSEMBLY - 20" - VAC-TRAC	1
225A	6191521	FLEXIWALL SHIELD ONLY 20"	1
225B	6490732	BUMPER STRAP ONLY 20"	1
225C	6490191	BUMPER BRUSH ONLY 20"	1
226	6190861	BELT BX-43 - 20" VAC-TRAC	1
227	9122140	3/8-16 HEX NUT WITH NY-LOK INSERT - PACK OF 5	1
228	6190301	PULLEY - IDLER	1
229	6190871	SHOULDER BUSHING - #1232	1
230	6190311	TENSIONER ARM	1
231	9122080	3/8-16 X 2 1/2 HEX BOLT - PACK OF 1	1
232	6190601	TENSIONER ARM SPACER	2
233	6190271	6" X 1 1/2" WHEEL WITH BRACKET - FOR 20" VAC-TRAC - INCLUDES:	2
233A	6190281	WHEEL ONLY	2
233B	6190611	WHEEL AXLE BOLT	2
233C	9121990	3/8-16 HEX JAM NUT - PACK OF 10	2
233D	6190621	WHEEL BEARING KIT	2
234	9121450	5/16-18 HEX NUT WITH NY-LOK INSERT - PACK OF 5	4
235	9120900	1/4-20 HEX NUT WITH NY-LOK INSERT - PACK OF 10	4
236	6190291	2" CASTER WITH GRAY WHEELS	2
237	6190991	1/4-20 X 3/4 BUTTON HEAD CAP SCREW	2
238	6191001	1/4-20 X 3/4 FLAT HEAD SOCKET CAP SCREW	2

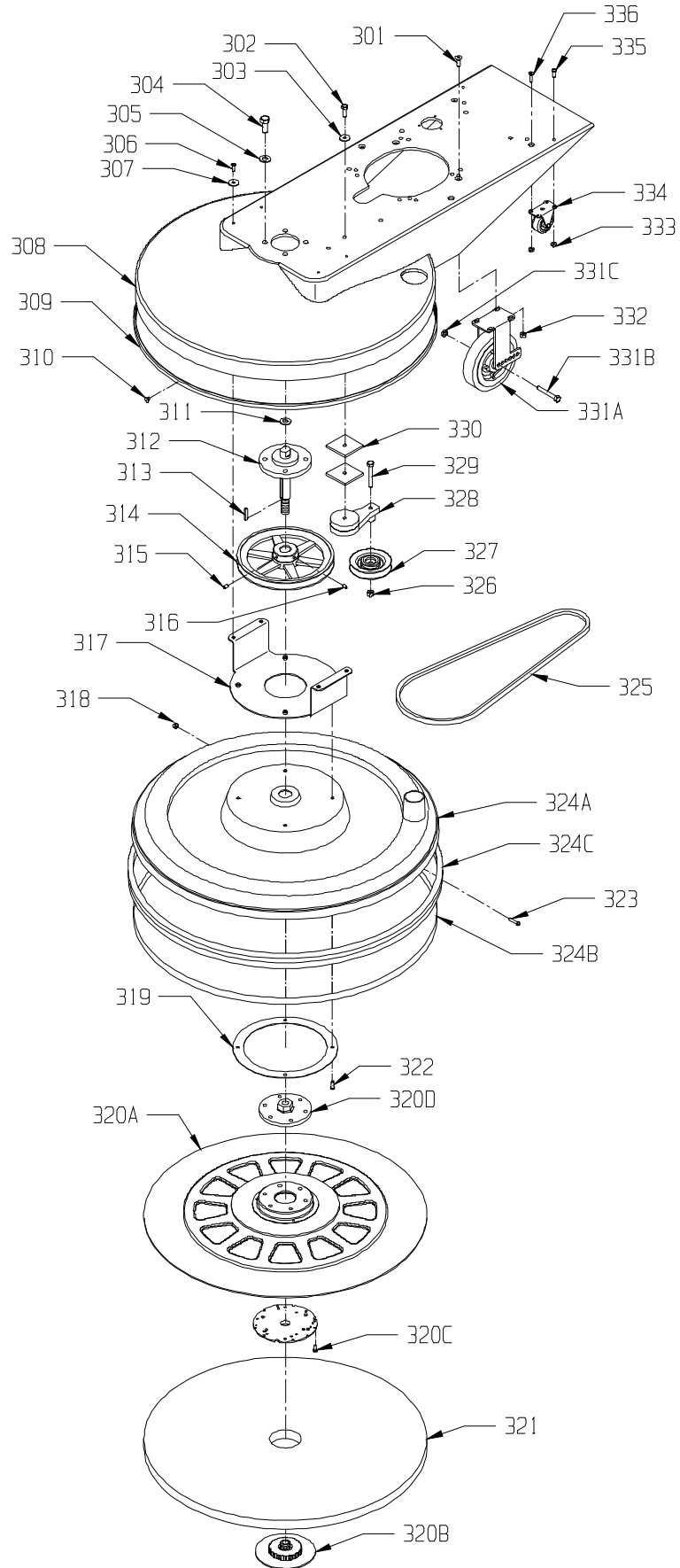
LOWER ASSEMBLY 20"



LOWER ASSEMBLY 27"

ITEM	PART NO.	DESCRIPTION	QTY.
301	6190971	5/16-18 X 1 FLAT HEAD SOCKET CAP SCREW	4
302	9122075	3/8-16 X 1 1/2 HEX HEAD BOLT - PACK OF 2	1
303	9122110	3/8 I.D. X 1 1/2 O.D. FENDER WASHER - PACK OF 10	1
304	6190801	7/16-20 X 1 1/4 HEX BOLT	4
305	6190811	7/16 SAE FLAT WASHER	4
306	6190841	1/4-20 X 1 BUTTON HEAD CAP SCREW	4
307	6190821	#8 SAE FLAT WASHER	4
308	6190031	DECK - 27" - VAC-TRAC	1
309	6190641	BUMPER MOLDING	1
310	2391751	1/8 X 5/8 DOME HEAD POP RIVET	7
311	6190811	7/16 SAE FLAT WASHER	1
312	6190111	FRONT BEARING AND SHAFT ASSEMBLY - 27" - VAC-TRAC - INCLUDES:	1
312A	6190651	FRONT BEARING HOUSING	1
312B	6190121	DRIVEN SHAFT - 27" - VAC-TRAC	1
312C	6190671	SNAP RING	2
312D	6190681	205pp BEARING	2
313	6190981	1/4 SQUARE X 1 1/4 LONG KEY	1
314	6190181	PULLEY 9.4 - 27" - VAC-TRAC	1
315	9121380	5/16-18 X 3/8 SET SCREW - KNURL POINT - PACK OF 2	1
316	6190831	5/16-18 X 1/2 SET SCREW FULL DOG	1
317	6190021	FLEXIWALL SHIELD MOUNT	1
318	9120660	10-32 HEX NUT WITH NY-LOK INSERT - PACK OF 10	1
319	6190081	FLEXIWALL SHIELD MOUNTING RING - 27" - VAC-TRAC	1
320	6190241	27" PAD DRIVER COMPLETE - INCLUDES:	1
320A	6190231	PAD DRIVER 27"	1
320B	6190251	CENTER LOCK PAD HOLDER - BLACK	1
320C	6190851	10-24 X 1 ROUND HEAD PHILLIPS MACHINE SCREW	3
320D	6190261	FLANGE	1
321	-----	PAD - FOR INFORMATION SEE ACCESSORIES PAGE	1
322	6190841	1/4-20 X 1 BUTTON HEAD CAP SCREW	4
323	6190171	10-32 X 1 1/2 ROUND HEAD PHILLIPS MACHINE SCREW - VAC-TRAC	1
334	6190019	FLEXIWALL SHIELD ASSEMBLY - 27" - VAC-TRAC - INCLUDES:	1
325A	6190011	FLEXIWALL SHIELD ONLY 27"	1
324B	6592552	BUMPER STRAP ONLY 27"	1
324C	6592531	BUMPER BRUSH ONLY 27"	1
325	6190191	BELT BX-55	1
326	9122140	3/8-16 HEX NUT WITH NY-LOK INSERT - PACK OF 5	1
327	6190301	PULLEY - IDLER	1
328	6190311	TENSIONER ARM	1
329	6190791	3/8-16 X 2 1/4 HEX BOLT	1
328	6190601	TENSIONER ARM SPACER	2
329	6190131	6" X 1 1/2" WHEEL WITH BRACKET - FOR 27" VAC-TRAC - INCLUDES:	2
329A	6190281	WHEEL ONLY	2
329B	6190611	WHEEL AXLE BOLT	2
329C	9121990	3/8-16 HEX JAM NUT - PACK OF 10	2
329D	6190621	WHEEL BEARING KIT	2
330	9121450	5/16-18 HEX NUT WITH NY-LOK INSERT - PACK OF 5	4
331	9120900	1/4-20 HEX NUT WITH NY-LOK INSERT - PACK OF 10	4
332	6190291	2" CASTER WITH GRAY WHEELS	2
333	6190991	1/4-20 X 3/4 BUTTON HEAD CAP SCREW	2
334	6191001	1/4-20 X 3/4 FLAT HEAD SOCKET CAP SCREW	2

LOWER ASSEMBLY 27"

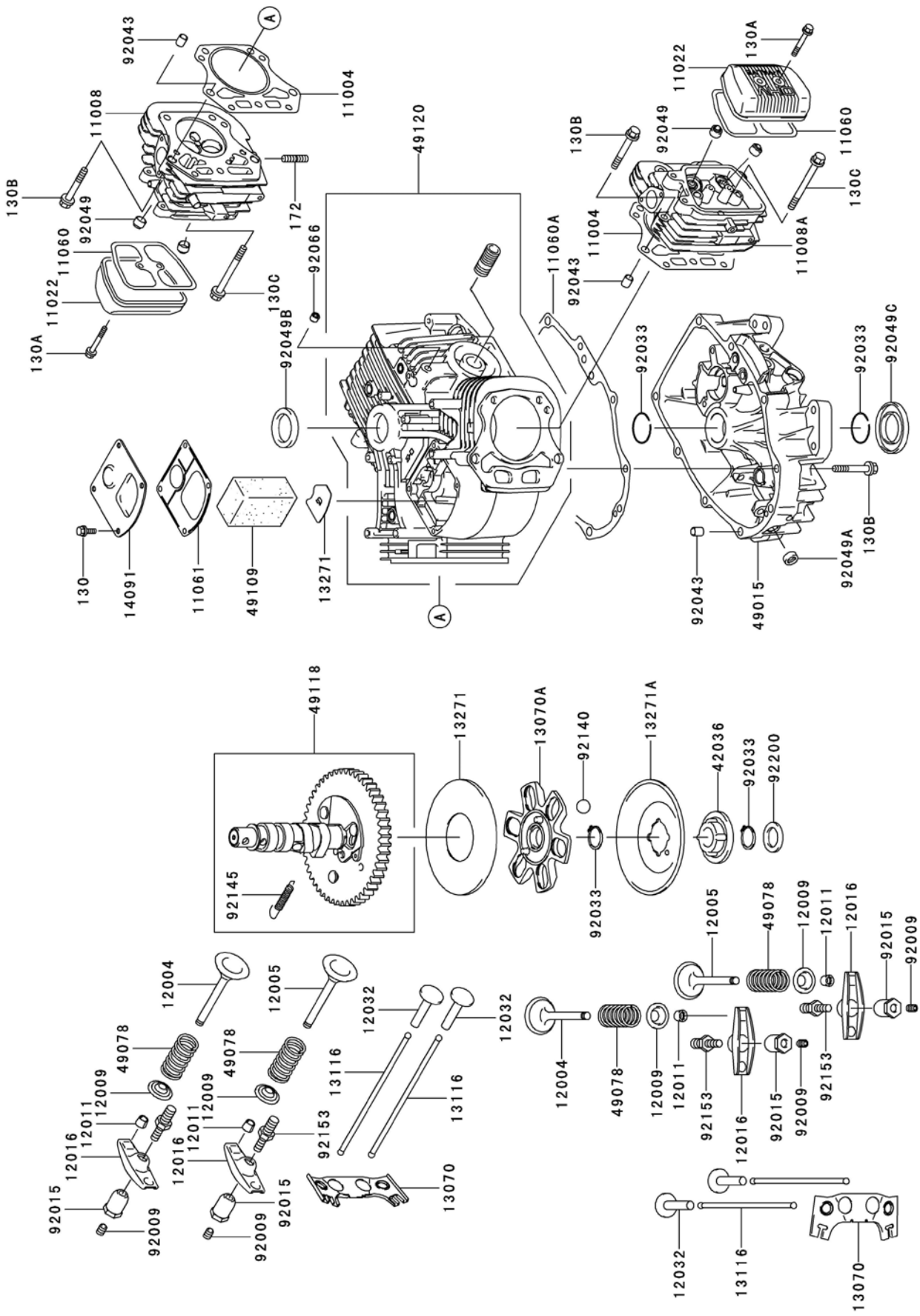


CYLINDER / VALVE ASSEMBLY

<u>ITEM</u>	<u>PART NO.</u>	<u>DESCRIPTION</u>	<u>QTY.</u>
11008	6194151	HEAD - COMPLETE - CYLINDER # 1 - INCLUDES:	1
	6191441	CYLINDER HEAD ONLY - CYLINDER #1	1
130B	6193161	M8 X 50 BOLT - FLANGED	17
130C	6193171	M8 X 75 BOLT - FLANGED	2
172	6193181	M8 X 18 BOLT - STUD	4
11004	6193771	GASKET - HEAD	2
11060	6191311	GASKET - ROCKER CASE	2
12004	6193551	VALVE - INTAKE	2
12005	6193561	VALVE - EXHAUST	1
12009	6193571	RETAINER - VALVE SPRING	4
12011	6193581	COLLET	8
12016	6193591	ARM - ROCKER	4
13070	6193611	GUIDE	2
49078	6193671	SPRING - ENGINE VALVE	4
92009	6193691	SCREW	4
92015	6193701	NUT	4
92049	6193101	SEAL - OIL - 6 X 11 X 10.2	4
92153	6194141	BOLT	4
11008A	6194161	HEAD - COMPLETE - CYLINDER # 2 - INCLUDES:	1
	6191451	CYLINDER HEAD ONLY #2	1
130B	6193161	M8 X 50 BOLT - FLANGED	17
130C	6193171	M8 X 75 BOLT - FLANGED	2
172	6193181	M8 X 18 BOLT - STUD	4
11004	6193771	GASKET - HEAD	2
11060	6191311	GASKET - ROCKER CASE	2
12004	6193551	VALVE - INTAKE	2
12005	6193561	VALVE - EXHAUST	1
12009	6193571	RETAINER - VALVE SPRING	4
12011	6193581	COLLET	8
12016	6193591	ARM - ROCKER	4
13070	6193611	GUIDE	2
49078	6193671	SPRING - ENGINE VALVE	4
92009	6193691	SCREW	4
92015	6193701	NUT	4
92049	6193101	SEAL - OIL - 6 X 11 X 10.2	4
92153	6194141	BOLT	4
130	6192581	M6 X 12 BOLT - FLANGED	4
130A	6193151	M6 X 40 BOLT - FLANGED	4
11022	6193011	CASE - ROCKER	2
11060A	6193021	GASKET - CRANK CASE COVER	1
11061	6193191	BREATHER GASKET	1
12032	6193601	TAPPET	4
13070A	6193621	GUIDE	1
13116	6193631	ROD - PUSH	4
13271	6193651	PLATE - CAM SHAFT	1
13271	6193871	PLATE - CRANK CASE	1
13271A	6193891	PLATE - GOVERNOR	1
14091	6193901	COVER	1
42036	6193661	SLEEVE	1
49015	6193941	COVER - CRANK CASE	1
49109	6193061	ELEMENT - BREATHER	1
49118	6193991	CAMSHAFT COMPLETE - INCLUDES:	1
92145	6193731	SPRING	1
49120	6194001	CRANK CASE - COMPLETE	1
92033	6193711	RING - SNAP - CAM SHAFT	2
92033	6193081	RING - SNAP - CRANK CASE	2
92043	6193091	PIN	6
92066	6194081	PLUG	1
92049A	6193131	SEAL - OIL - 8 X 14 X 5	1
92049B	6193111	SEAL - OIL - 35 X 48 X 8	1
92049C	6193121	SEAL - OIL - 35 X 62 X 8	1
92140	6193721	BALL	6
92200	6193751	WASHER	1

VALVE CAM CASE

CYLINDER CRANK CASE



CONTROL EQUIPMENT

<u>ITEM</u>	<u>PART NO.</u>	<u>DESCRIPTION</u>	<u>QTY.</u>
49113	6192761	PANEL - COMPLETE - CONTROL - INCLUDES:	1
130	6192581	M6 X 12 BOLT - FLANGED	2
92009	6194061	M4 X 35 SCREW	1
92150	6192801	M5 X 18 BOLT	2
92170	6192821	CLAMP	2
92145A	6194091	SPRING	1
92145B	6192791	SPRING	1
214	6192831	M4 X 8 PAN HEAD SCREW	2
311	6192841	M6 HEX NUT	1
411	6192851	M6 WASHER - PLAIN	1
13107	6193851	SHAFT	1
13271	6192711	PLATE	1
16169	6193921	LINK - CHOKE	1
16171	6192731	LINK	1
39129	6192741	SPRING - GOVERNOR	1
49103	6193981	ARM - GOVERNOR	1
92145	6192781	SPRING	1
92153	6194111	M6 X 35 BOLT	1

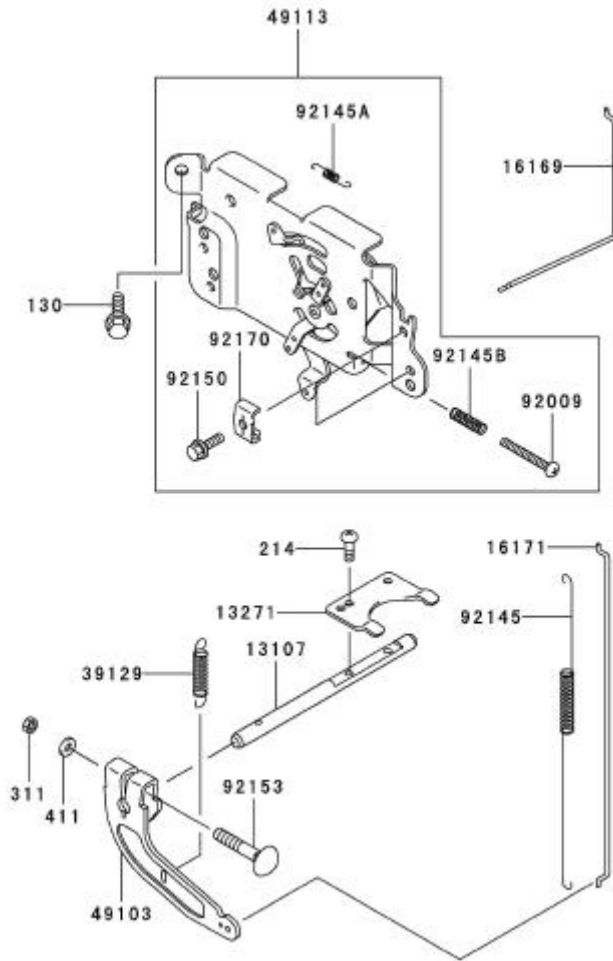
COOLING EQUIPMENT

<u>ITEM</u>	<u>PART NO.</u>	<u>DESCRIPTION</u>	<u>QTY.</u>
130	6192581	M6 X 12 BOLT - FLANGED	2
130A	6192951	M6 X 16 BOLT - FLANGED	1
130B	6192971	M6 X 25 BOLT - FLANGED	2
130C	6192981	M8 X 16 BOLT - FLANGED	1
311	6192841	M6 HEX NUT	2
13270	6192861	PLATE	1
49089	6192881	SHROUD - ENGINE	1
49089A	6193961	SHROUD - ENGINE	1
49089B	6193971	SHROUD - ENGINE	1
59041	6194021	FAN	1
59066	6192911	HOUSING - FAN	1
92004	6192921	STUD	2
92153	6194121	BOLT	3
92153A	6194131	BOLT	1

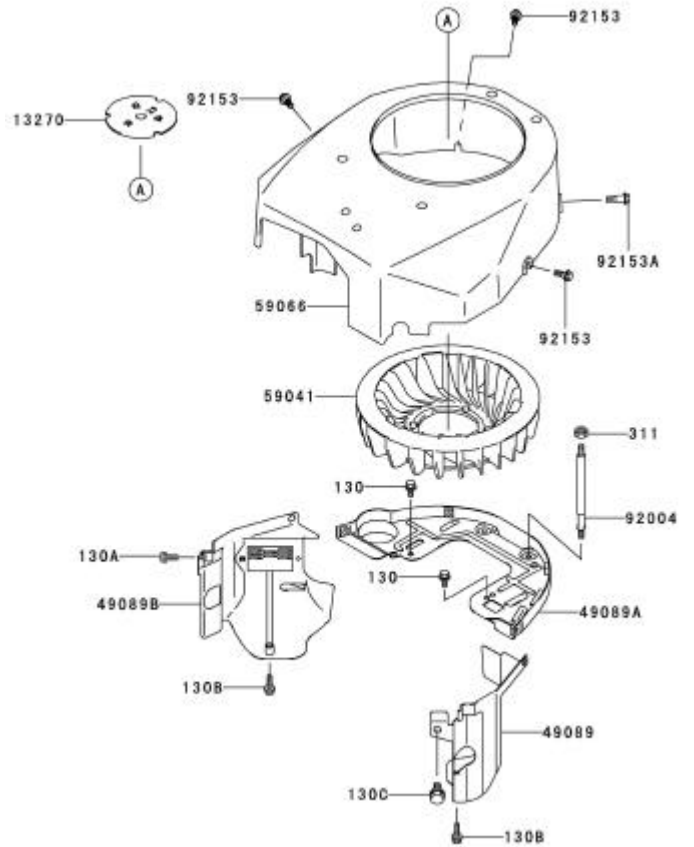
FUEL LOAD BLOCK - CARBURETOR

<u>ITEM</u>	<u>PART NO.</u>	<u>DESCRIPTION</u>	<u>QTY.</u>
130	6192641	M6 X 35 BOLT - FLANGED	4
11061	6193791	GASKET - INSULATOR	2
11061D	6192661	GASKET	2
16073	6193911	INSULATOR	1
59076	6192651	MANIFOLD INTAKE	1
1	6192671	CARBURETOR ASSEMBLY	1
2	6191111	FUEL LOAD BLOCK	1
3	6191101	1/4 RUBBER CAP	1
4	6191431	INSULATOR - INTAKE	1
5	6192681	VACUUM TUBE	1
6	6191351	GASKET - INSULATOR - INTAKE VACUUM	1
7	6191081	M-6 X 130 STUD	1
8	6192691	1/8 BRASS PLUG	1
9	6192701	3/8 HOSE X 1/4 MP ELBOW	1
10	6191201	GASKET AIR FILTER	1

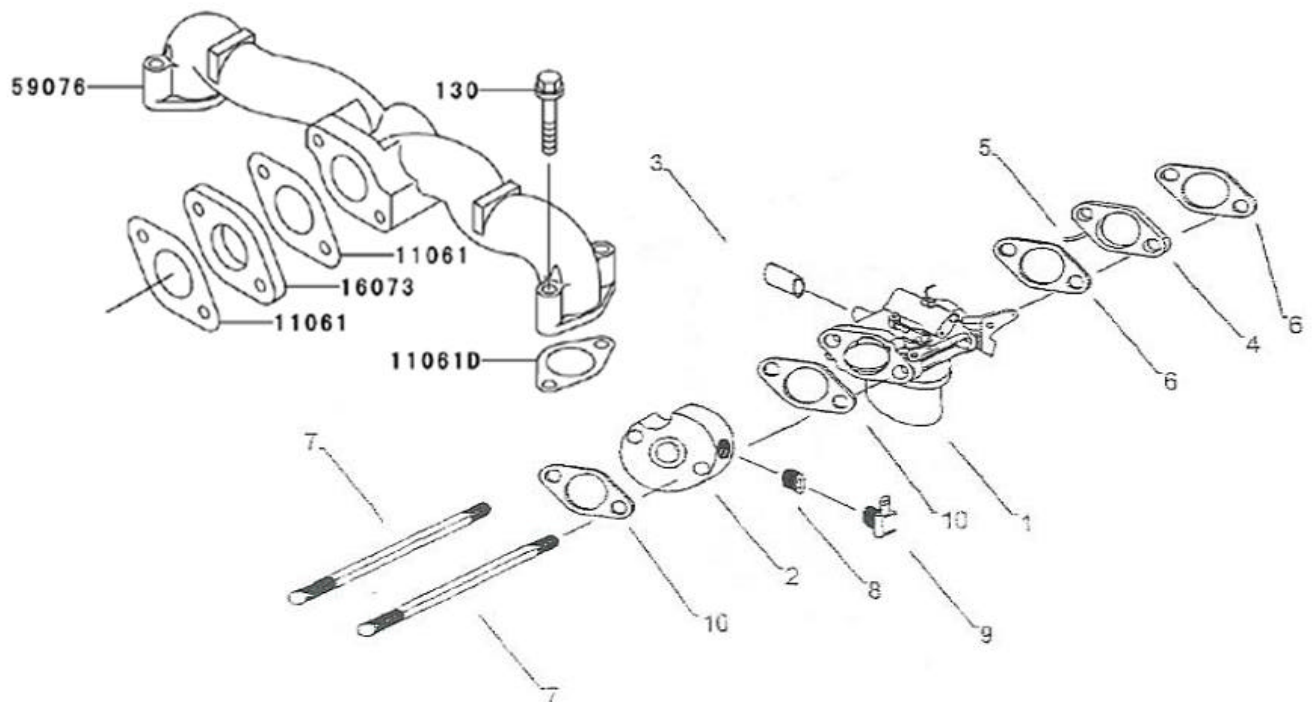
CONTROL EQUIPMENT



COOLING EQUIPMENT



FUEL LOAD BLOCK - CARBURETOR



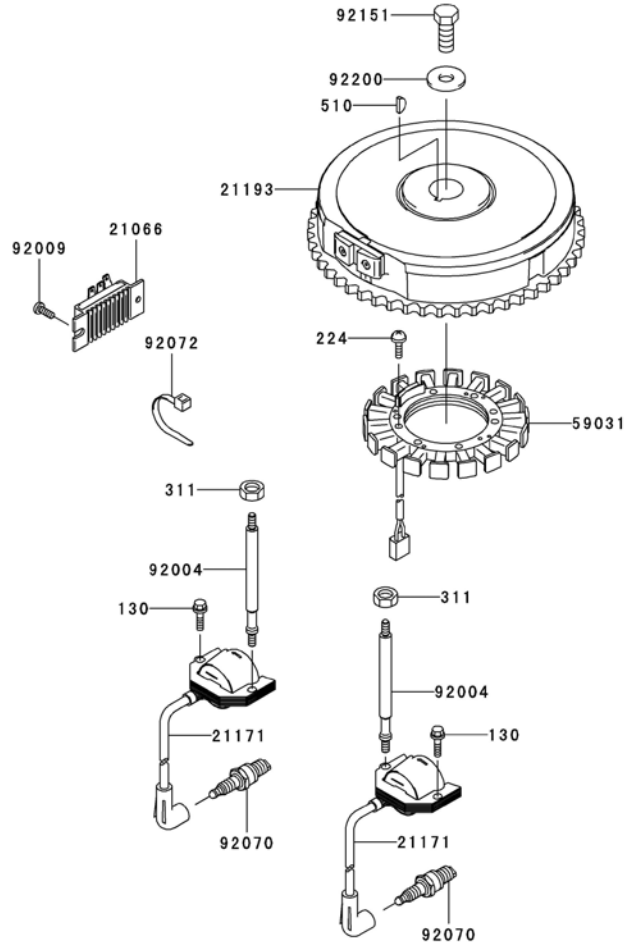
ELECTRIC EQUIPMENT

<u>ITEM</u>	<u>PART NO.</u>	<u>DESCRIPTION</u>	<u>QTY.</u>
130	6192961	M6 X 20 BOLT - FLANGED	2
224	6193291	M5 X 20 PAN HEAD SCREW	4
311	6192841	M6 HEX NUT	2
510	6193301	WOODRUFF KEY	1
21066	6191391	VOLTAGE REGULATOR	1
21171	6191381	COIL-ASSEMBLY-IGNITION	2
21193	6193211	FLYWHEEL ASSEMBLY	1
59031	6191401	COIL-CHARGING SYSTEM	1
92004	6193231	STUD	2
92009	6193241	SCREW	1
92070	6191251	SPARK PLUG	2
92072	6193261	BAND	2
92151	6193271	M12 X 30 BOLT	1
92200	6193281	WASHER	1

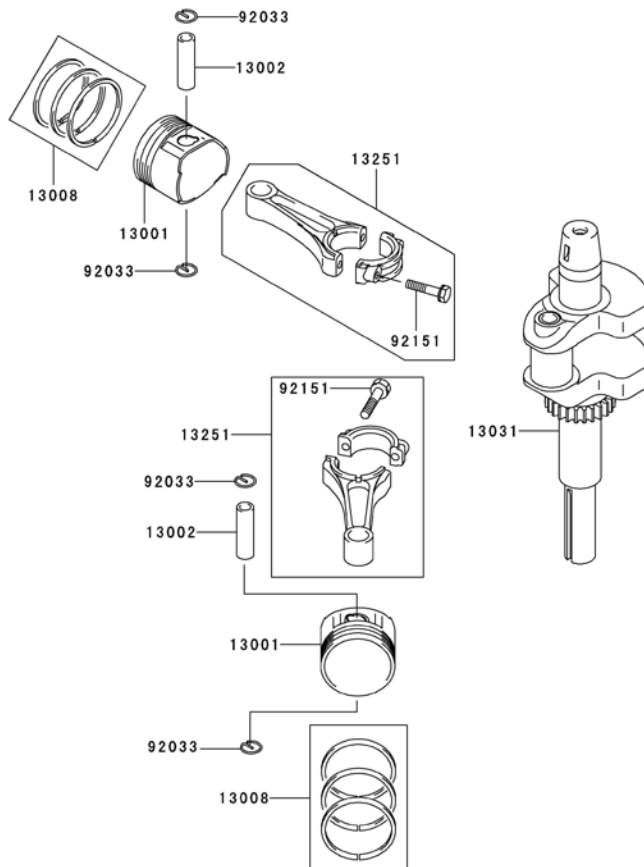
PISTON / CRANK SHAFT

<u>ITEM</u>	<u>PART NO.</u>	<u>DESCRIPTION</u>	<u>QTY.</u>
13001	6193811	PISTON - ENGINE	2
13002	6193461	PIN - PISTON	2
13008	6193821	RING - SET - PISTON	2
13031	6193831	CRANK SHAFT COMPLETE	1
13251	6193861	ROD ASSEMBLY - CONNECTING - INCLUDES:	2
92151	6194101	M6 X 35 BOLT	4
92033	6194071	RING - SNAP	4

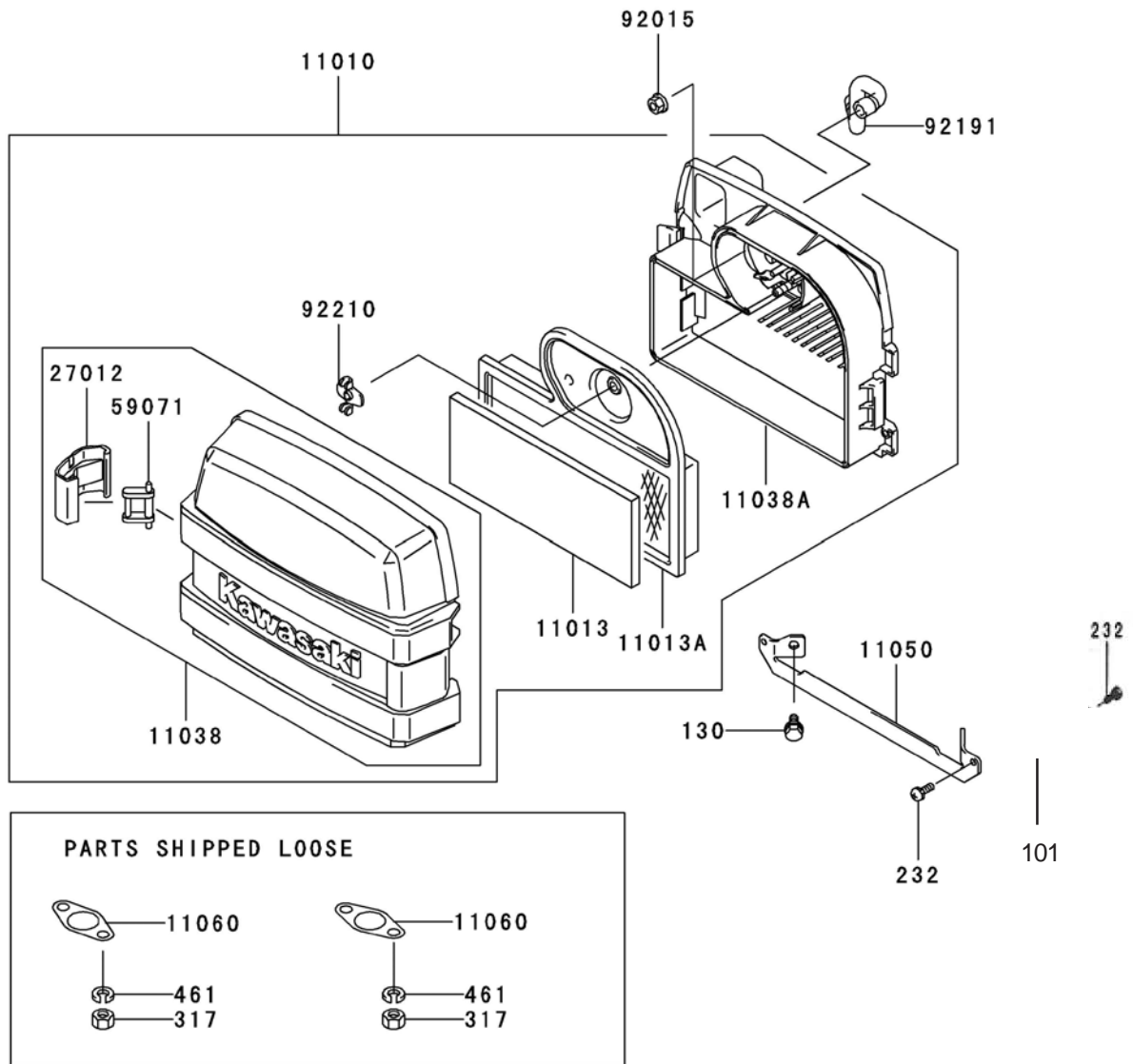
ELECTRIC EQUIPMENT



PISTON / CRANK SHAFT

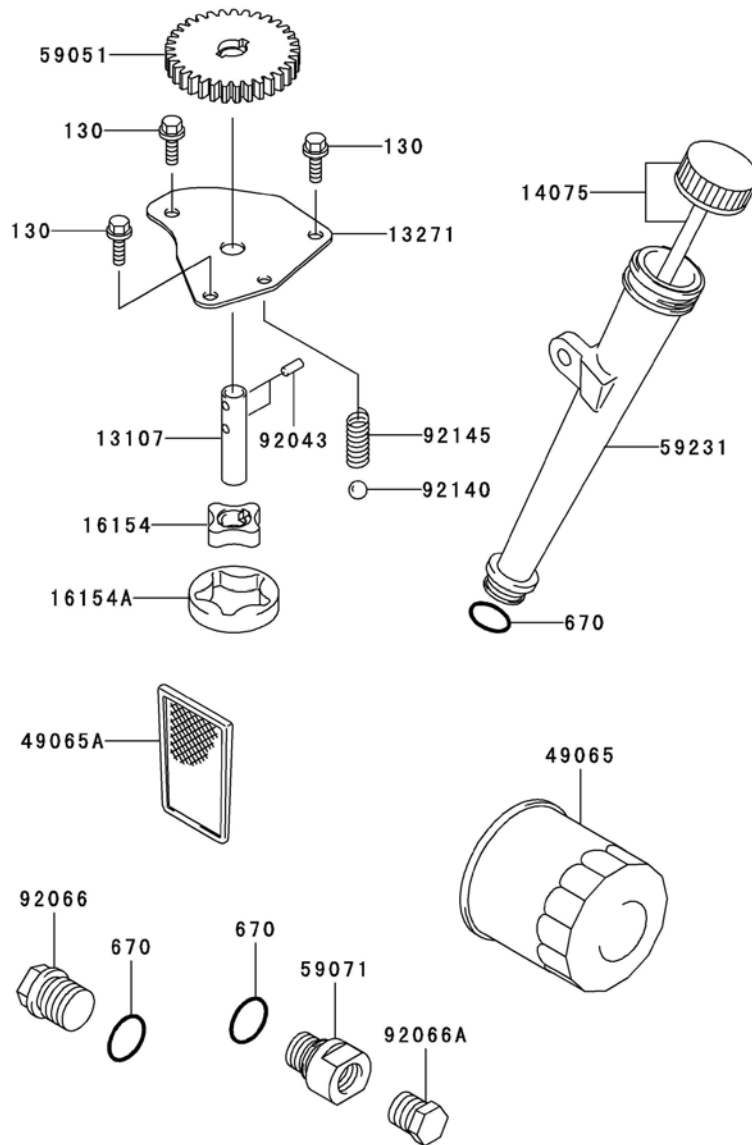


AIR FILTER



<u>ITEM</u>	<u>PART NO.</u>	<u>DESCRIPTION</u>	<u>QTY.</u>
11010	6193761	FILTER ASSEMBLY COMPLETE - INCLUDES:	1
11038	6191321	CASE - ASSEMBLY - AIR FILTER - INCLUDES:	1
27012	6191331	HOOK - AIR FILTER	2
59071	6194041	JOINT	2
11013	6191221	ELEMENT - AIR FILTER	1
11013A	6191231	ELEMENT - AIR FILTER	1
11038A	6193781	CASE - ASSEMBLY - AIR FILTER	1
92015	6192591	M11 NUT	2
92191	6192531	TUBE	1
92210	6192541	NUT	1
130	6192581	M6 X 12 BOLT - FLANGED	2
232	6192571	M5 X 14 SCREW - PAN HEAD	2
317	6192631	M8 NUT - HEX - SMALL	4
461	6192621	M8 WASHER - SPRING	4
11050	6192561	BRACKET	1
11060	6191361	GASKET - EXHAUST MANIFOLD	2

LUBRICATION EQUIPMENT

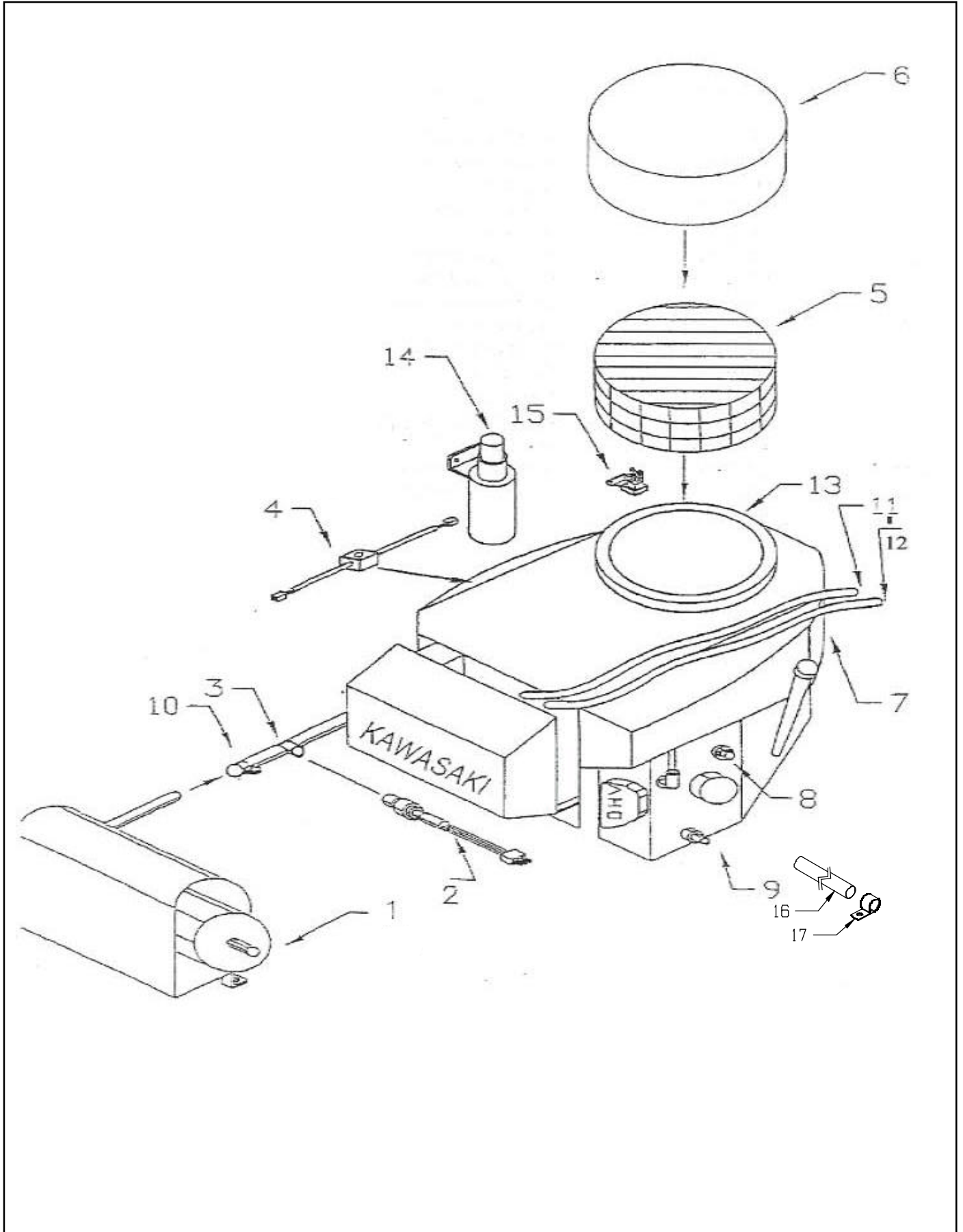


<u>ITEM</u>	<u>PART NO.</u>	<u>DESCRIPTION</u>	<u>QTY.</u>
130	6192581	M6 X 12 BOLT - FLANGED	3
670	6193441	"O" RING	3
13107	6193841	SHAFT - OIL PUMP	1
13271	6193881	PLATE	1
14075	6191371	DIPSTICK - CAP ASSEMBLY	1
16154	6193331	ROTOR - PUMP IN	1
16154A	6193341	ROTOR - PUMP OUT	1
49065	6191241	FILTER - OIL	1
49065A	6193951	FILTER - OIL	1
59051	6194031	GEAR - SPUR	1
59071	6193371	JOINT	1
59231	6194051	FILLER	1
92043	6193391	PIN	2
92066	6193401	PLUG	1
92066A	6193411	PLUG	1
92140	6193421	BALL	1
92145	6193431	SPRING	1

SHUT DOWN SYSTEM

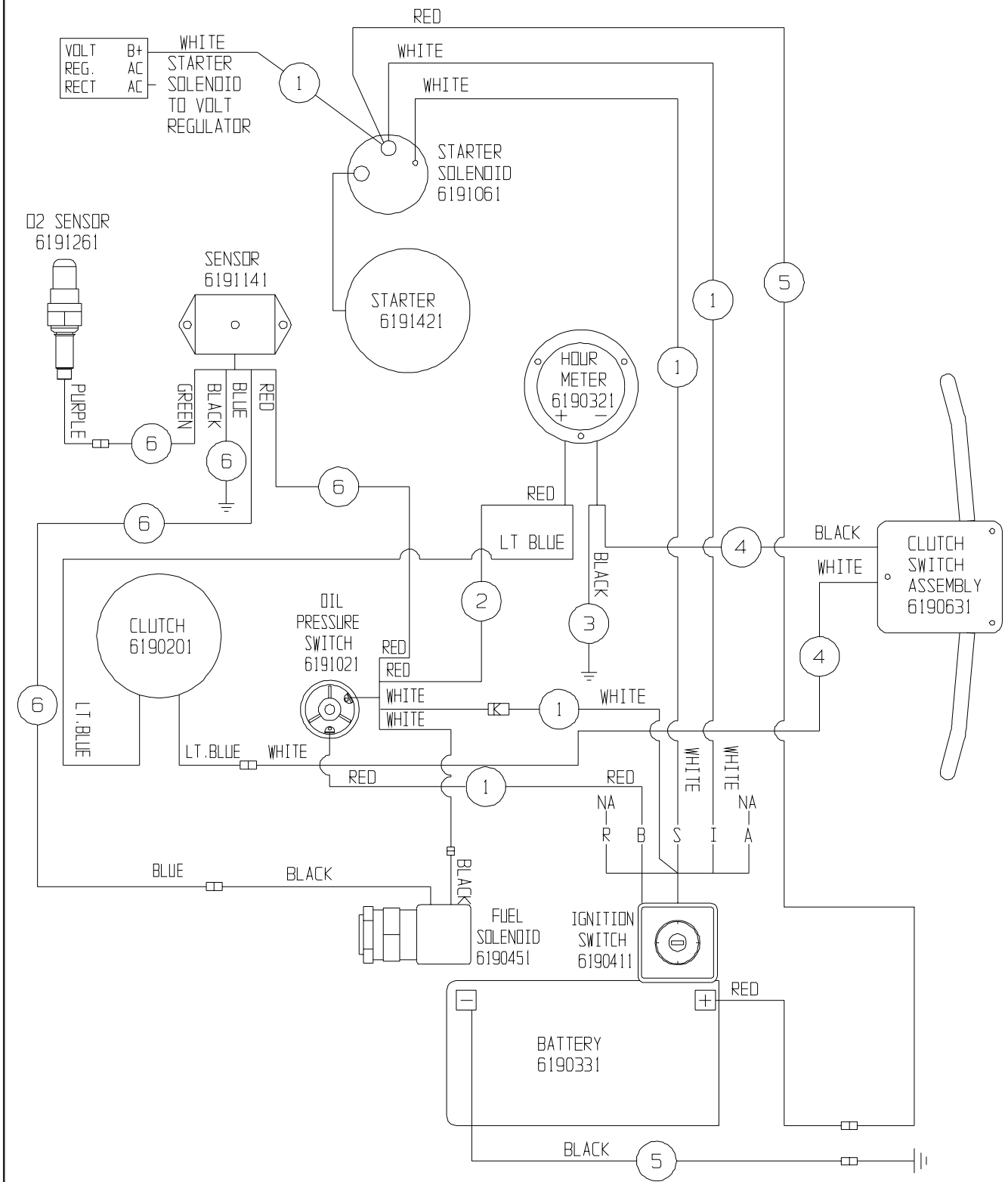
<u>ITEM</u>	<u>PART NO.</u>	<u>DESCRIPTION</u>	<u>QTY.</u>
1	6191011	MUFFLER - KAWASAKI	1
2	6191261	OXYGEN SENSOR	1
3	6191211	EXHAUST MANIFOLD - INCLUDES:	1
3A	6191361	MANIFOLD GASKET	2
4	6191141	AUTOMATIC SHUTDOWN SYSTEM - COMMANDER	1
5	6191051	AIR PRECLEANER SUPPORT - KAWASAKI	1
6	6191041	AIR PRECLEANER - FOAM COOLING AIR FILTER	1
7	6191191	CONVERTED ENGINE - KAWASAKI	1
8	6191021	OIL PRESSURE SWITCH - COMMANDER	1
9	6192121	OIL DRAIN VALVE - COMMANDER	1
10	6191121	MUFFLER CLAMP - COMMANDER	1
11	6190531	HOSE 3 FOOT FUEL	1
12	6190561	HOSE 3 FOOT VAC	1
13	6191131	RECOIL FILTER SUPPORT GASKET	1
14	6191421	STARTER-KAWASAKI 17 HP	1
15	6191061	STARTER SOLENOID - KAWASAKI	1
16	8791180	OIL DRAIN HOSE	12"
17	2395761	OIL DRAIN HOSE CLAMP	1

SHUT DOWN SYSTEM



WIRING DIAGRAM

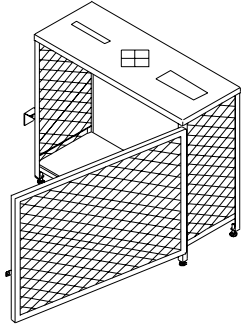
- 1 - 6191031 - WIRING HARNESS
- 2 - 6191171 - HOUR METER WIRE
- 3 - 6191151 - GROUND WIRE
- 4 - 6190881 - CLUTCH WIRE
- 5 - 6191161 - BATTERY CONNECTION COMPLETE
- 6 - 6191141 - SENSOR



ACCESSORIES



PART NO.	PART DESCRIPTION
NOTE:	ALL PADS COME 5 PADS PER CASE
7992051	20" LITE BLUE POLISH / BURNISH PAD - FOR SOFT FINISH
7992061	20" LITE HAIR BURNISH PAD - FOR ALL FINISHES
7992081	20" ULTRA HAIR HARD FINISH PAD - FOR HARD FINISH
7992091	20" ULTIMATE HAIR PAD - HARD FINISH AGGRESSIVE BURNISHING
7992751	27" LITE BLUE POLISH / BURNISH PAD - FOR SOFT FINISH
7992761	27" LITE HAIR BURNISH PAD - FOR ALL FINISHES
7992781	27" ULTRA HAIR HARD FINISH PAD - FOR HARD FINISH
7992791	27" ULTIMATE HAIR PAD - HARD FINISH AGGRESSIVE BURNISHING



6590801 L.P. TANK STORAGE CAGE



NSS ® Enterprises, Inc.

3115 Frenchmens Road, Toledo, Ohio 43607
PHONE (419) 531-2121 FAX (419) 531-3761

NSS ® Enterprises, Inc. European Distribution Centre
Unit II, Pinfold Trading Estate * 55 Nottingham Road
STAPLEFORD, NOTTINGHAM NG9 8AD ENGLAND U.K.
PHONE: (44) 0115 939 1568 * FAX: (44) 0115 949 0615