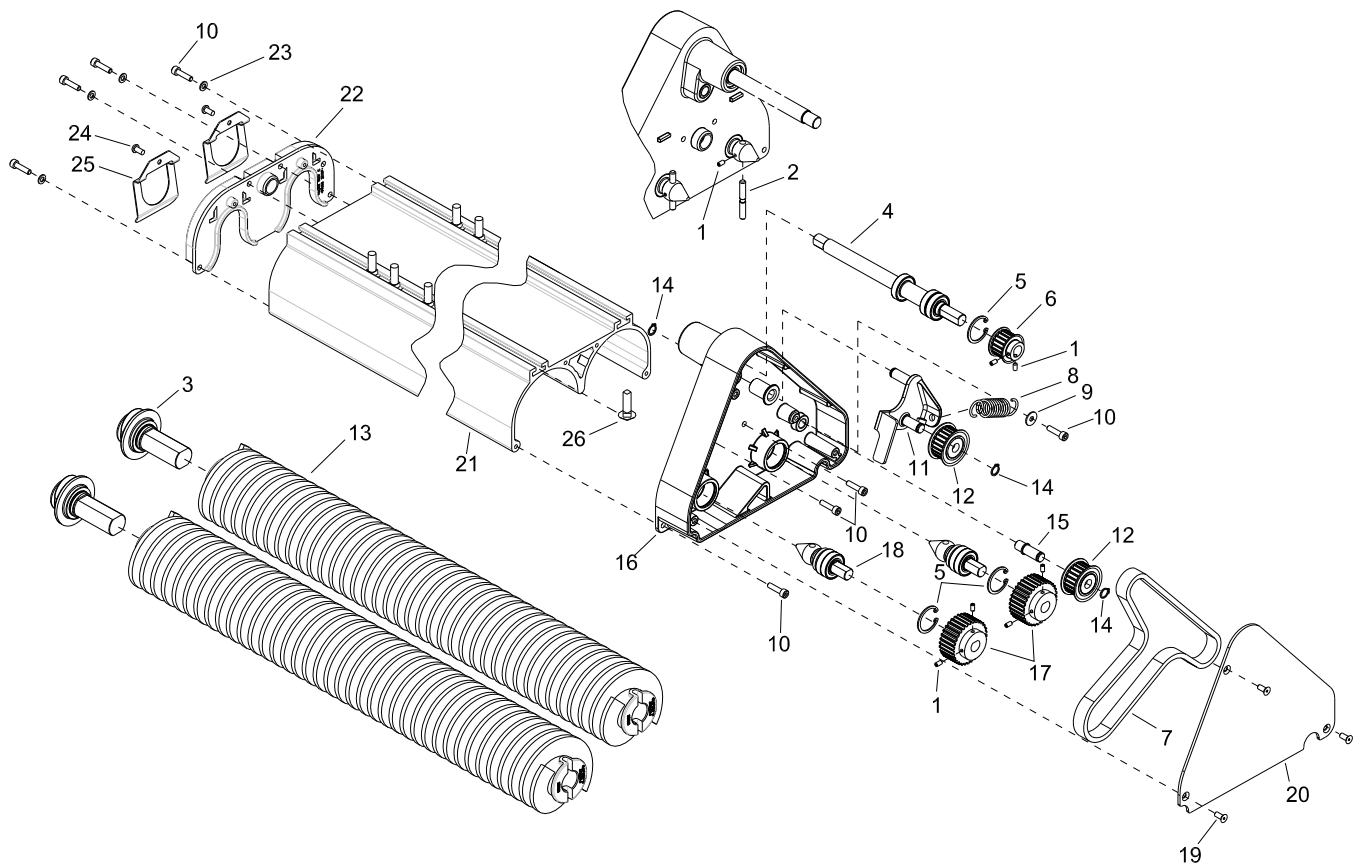


# ***PARTS LIST***

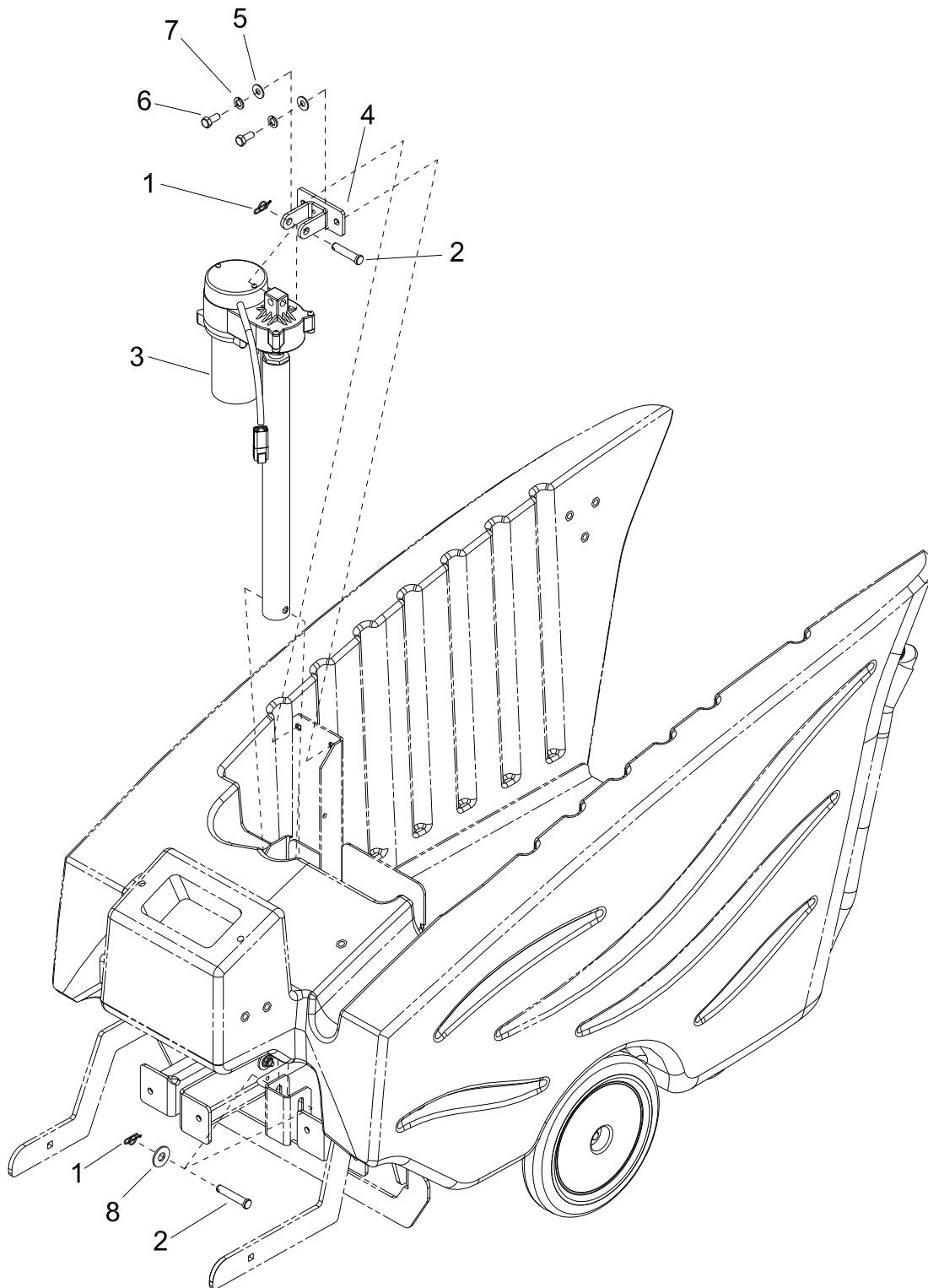
# BRUSH DECK



**BRUSH DECK**

REF	PART NO.	PRV NO.	QTY	DESCRIPTION	SERIAL NO. FROM	NOTES:
1	86223780	70896	8	SCR, M4X8, SET, ISO4029,CP,BLK		
2	86224170	730410	2	SHAFT, 6.2MM BRUSH DRIVE		
3	86012800	-	2	SHAFT ASM, BRUSH END CAP		
4	86224110	730389	1	SHAFT, MOTOR JACK 20"		
5	86223520	67598	3	RING, 28MM INT SNAP PHOSPHATE		
6	86223310	64116	1	PULLEY, 5MM HTD, 18T, 12.7 ID		
7	86215250	11049	1	BELT, 2S 5MM HTD, 15W, 128T		
8	86224660	730393	1	SPRING, TENSIONER		
9	86173330	87513	1	WASHER, M5 FLAT, ISO7093 SS		
10	86014990	-	4	SCR, M5X20, SHCS ISO4762, SS		
11	86215870	140914	1	BRKT, TENSIONER ARM		
12	86012780	-	2	PULLEY ASM, 5MM HTD 22T		
13	86230680	12531	2	BRUSH, EXTRACTOR 20"		
14	86223490	67468	3	RING, 10MM EXT SNAP, DIN 471		
15	86224130	730394	1	SHAFT, TENSIONER		
16	86219380	41546	1	HOUSING, BRUSH DRIVE		
17	86223320	64117	2	PULLEY, 32T, 5MM HTD		
18	86012790	-	2	SHAFT ASM, BRUSH DRIVE		
19	86172970	70911	4	SCR, M5X12, PHLP FHMS, ISO7046, SS		
20	86222870	620103	1	PLATE, BRUSH DRIVE COVER		
21	86217790	32059	1	EXTRUSION, DUAL BRUSH 20"		
22	86219390	41548	1	HOUSING, BRUSH CLIP		
23	86173350	87515	4	WASHER, M5, FLAT, ISO7089,SS		
24	86172980	70912	2	SCR, KA50X10, PT OHS, WN14112, PLTD		
25	86224630	730380	2	SPRING, BRUSH CLIP		
26	86277130	70795	10	SCR, 5/16-18 X 1.00 CARRIAGE SS		

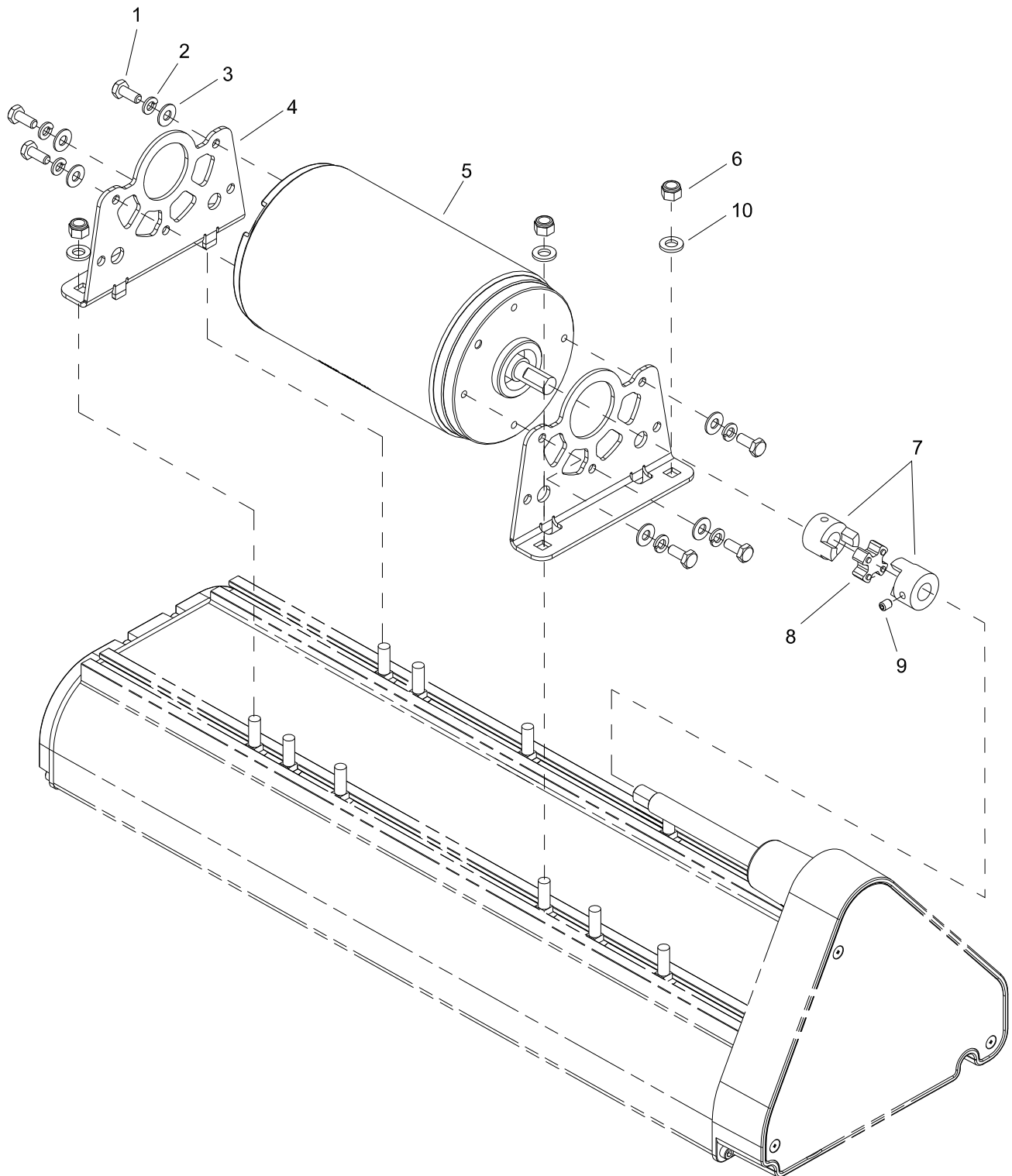
# BRUSH DECK ACTUATOR



## **BRUSH DECK ACTUATOR**

REF	PART NO.	PRV NO.	QTY	DESCRIPTION	SERIAL NO. FROM	NOTES:
1	86008670	80606	2	COTTER, 3/8 RING		
2	86248970	81406	2	PIN, CLEVIS 3/8 X 2.00 PLTD		
3	86011800	-	1	ACTUATOR, 36 VDC 2.75 STROKE		
4	86091930	141037	1	BRKT, ACTUATOR MOUNT		
5	86010670	87029	2	WASHER, 5/16 FLAT SS		
6	86276780	70728	2	SCR, 5/16-18 X 3/4 HHCS SS		
7	86279130	87083	2	WASHER, 5/16 SPLIT LOCK PLTD		
8	86278910	87003	1	WASHER, 3/8 ID X 7/8 OD SS		

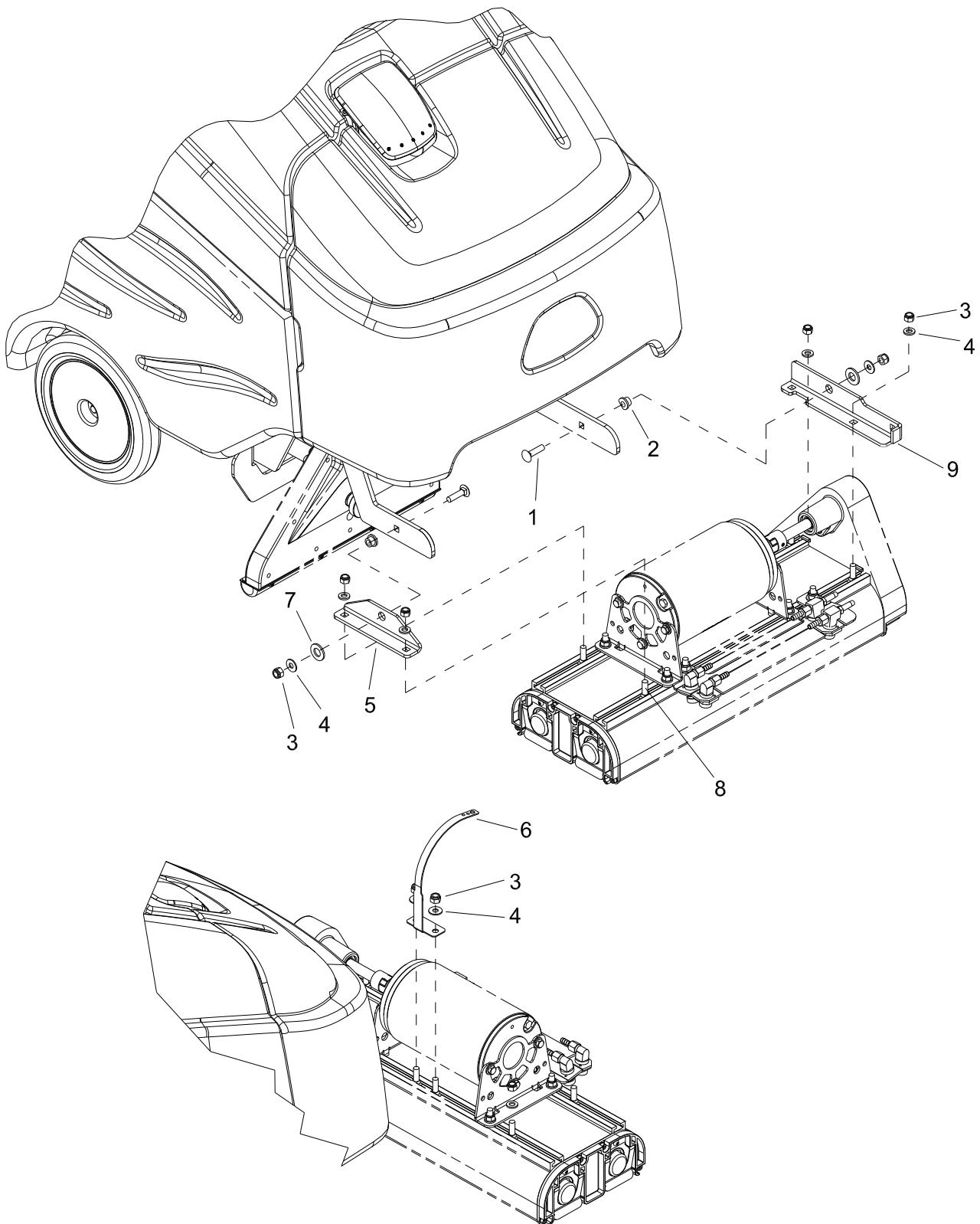
# BRUSH DECK MOTOR



## BRUSH DECK MOTOR

REF	PART NO.	PRV NO.	QTY	DESCRIPTION	SERIAL NO. FROM	NOTES:
1	86273750	70011	6	SCR, 1/4-20 X 5/8 HHCS SS		
2	86173340	87514	6	WASHER, SPLIT LOCK, 1/4 SS		
3	86010630	87013	6	WASHER, 1/4 ID X 5/8 OD SS		
4	86215880	140929	2	BRKT, MOTOR MOUNT		
5	86222130	53275	1	MOTOR, 36VDC		
-	86001360	140394	-	BRUSH SET, CCL MOTORS		
6	86222290	57308	4	NUT, 5/16-18 HEX NYLOCK SS		
7	86217250	22105	2	COUPLER, 1/2" JAW		
8	86217260	22106	1	COUPLER, SPIDER		
9	86172960	70910	2	SCR, SET, M6X8, SH, ISO4029,SS		
10	86225790	87504	4	WASHER, 5/16 X .63 SS		

# BRUSH DECK MOUNTING

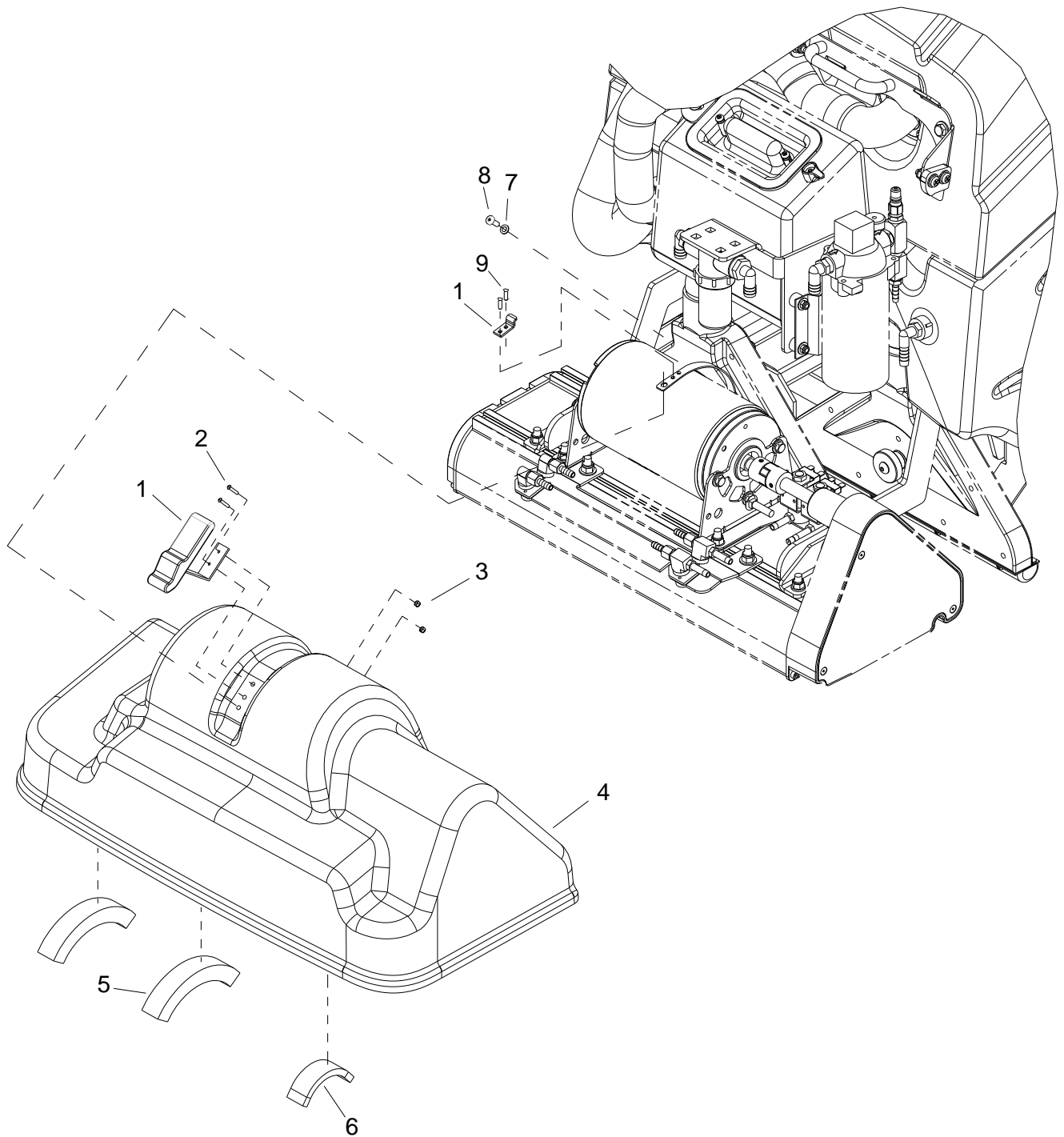




## **BRUSH DECK MOUNTING**

REF	PART NO.	PRV NO.	QTY	DESCRIPTION	SERIAL NO. FROM	NOTES:
1	86277030	70780	2	SCR, 5/16-18 X 1.25 CARRIAGE SS		
2	86228990	09153	2	BEARING, FLNGD, .314ID X .502OD		
3	86270830	57023	8	NUT, 5/16-18 HEX NYLOCK SS		
4	86010670	87029	8	WASHER, 5/16 FLAT SS		
5	86071800	141001	1	BRKT, BRUSH DECK PIVOT		
6	86088110	730443	1	STRAP, SHROUD LATCH		
7	86259420	87232	2	WASHER, THRUST .51 ID X 1 OD		
8	86277130	70795	2	SCR, 5/16-18X1.00 CARIAGE SS		
9	86296180	-	1	BRKT, BRUSH DECK PIVOT, LEFT		

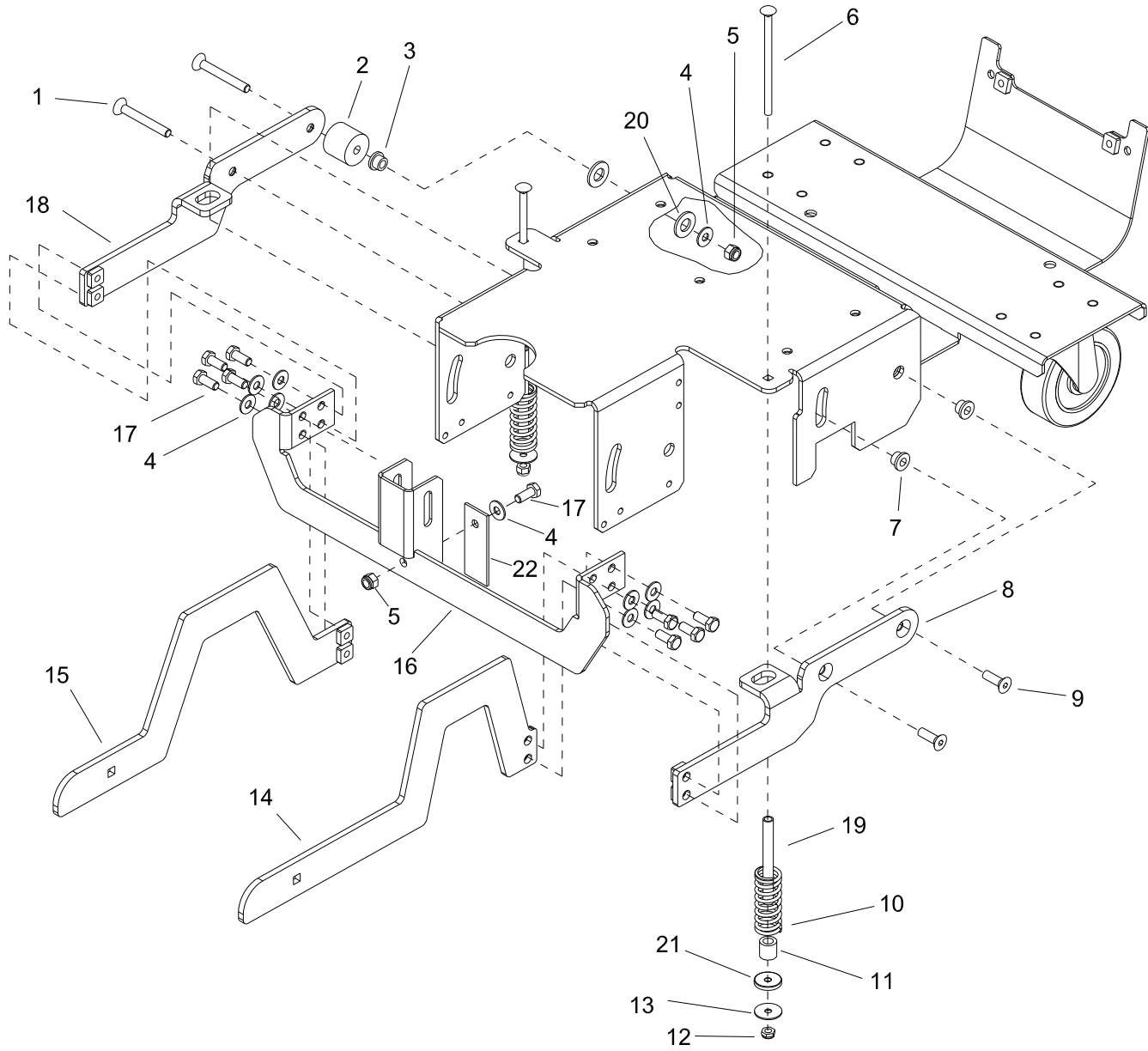
# BRUSH DECK SHROUD



## **BRUSH DECK SHROUD**

REF	PART NO.	PRV NO.	QTY	DESCRIPTION	SERIAL NO. FROM	NOTES:
1	86161800	46-802531	1	LATCH, CONCEALED KEEPER		(2 PART)
2	86273950	70056	2	SCR, 6-32 X 1/2 PPHMS SS		
3	86270920	57049	2	NUT, 6-32 NUT NYLOCK SS		
4	86062320	270156	1	COVER, DECK		
5	86012190	-	2	FOAM SPACER, SHROUD, 5/16 T		
6	86012200	-	1	FOAM SPACER, SHROUD, 3/4 TS		
7	86279190	87095	1	WASHER, #10 FLAT PLTD		
8	86274520	70233	1	SCR, #10 X 3/8 PH HI-LO PLT		
9	86006400	67380	2	RIVET, 5.32 OF X 1/8 GRIP		

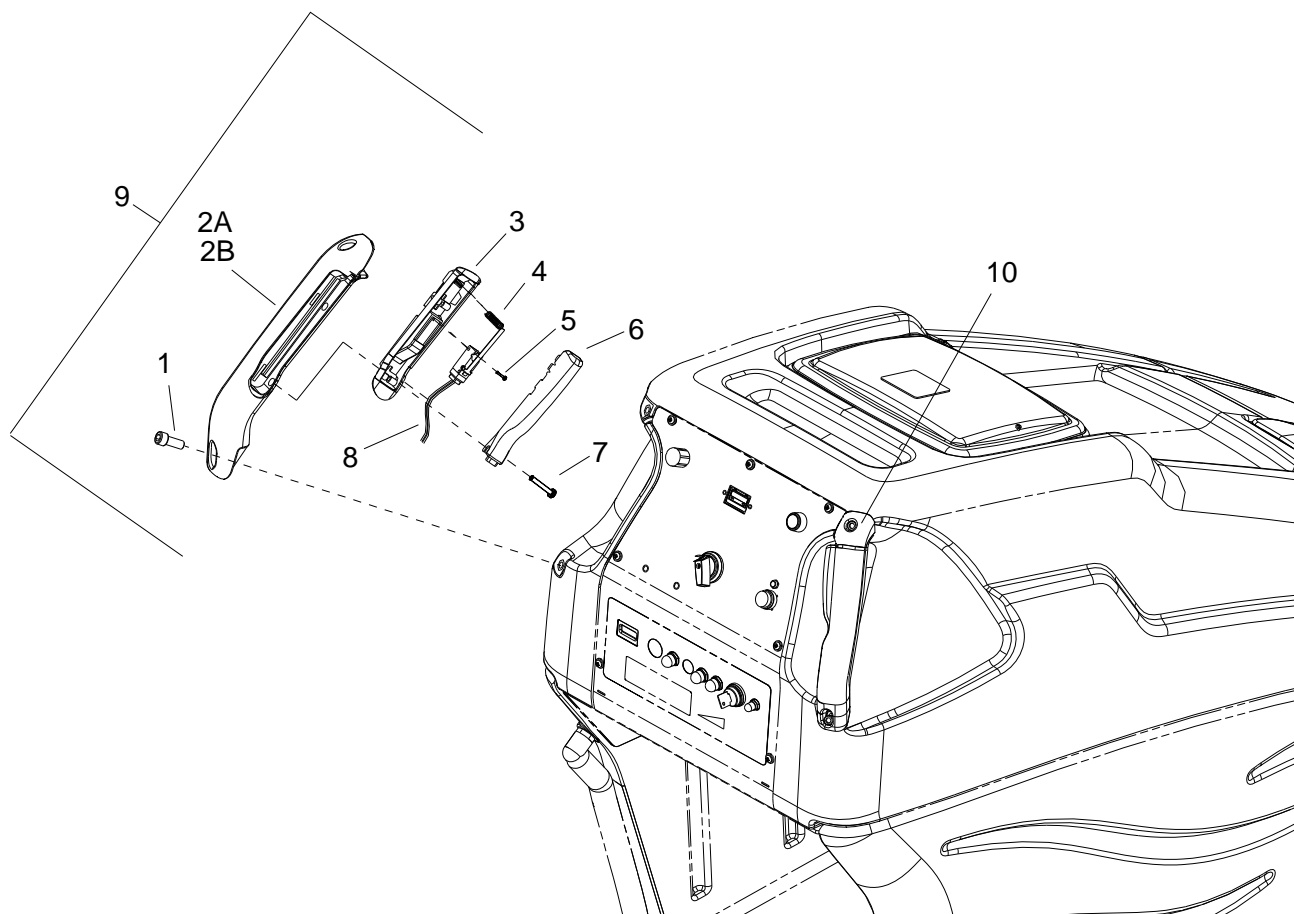
# BRUSH DECK LIFT



**BRUSH DECK LIFT**

REF	PART NO.	PRV NO.	QTY	DESCRIPTION	SERIAL NO. FROM	NOTES:
1	86276750	70722	2	SCR, 5/16-18 X 2.5 FHSC SS		
2	86298850	-	2	SPACER, .74 OD X .391 ID X 1.0 L NYL		
3	86229000	09124	2	BEARING FLG .377 ID X .502 OD X .500		
4	86010670	87029	13	WASHER, 5/16 FLAT SS		
5	86270830	57023	5	NUT, 5/16-18 HEX NYLOCK SS		
6	86012900	-	2	SCR, 1/4-20 X 4.5" CARRIAGE SS		
7	86228990	09153	2	BEARING, FLNGD, .314ID X .502OD		
8	86297770	-	1	LIFT RAM LEFT, REAR		
9	86290700	-	2	SCR, 5/16-18 X 1.0 FHCS SS		
10	86013010	-	2	SPRING, COMP .97D X 2.5L X .12W		
11	86231280	14400	2	BUSHING, .377ID X .627OD X .63		
12	86271870	57290	2	NUT, 1/4-20 HEX NYLOCK THIN SS		
13	86010810	87191	8	WASHER, 1/4" ID X 1.0 OD,FLAT SS		
14	86297790	-	1	LIFT ARM LEFT, FRONT		
15	86297780	-	1	LIFT ARM RIGHT, FRONT		
16	86297800	-	1	BRKT, ACTUATOR LIFT		
17	86276780	70728	9	SCR, 5/16-18 X 3/4 HHCS SS		
18	86297760	-	1	LIFT ARM RIGHT, REAR		
19	86088420	71154	2	SUPPORT, COUNTERBALANCE		
20	86259420	87232	6	WASHER, THRUST .51ID X 1 OD		
21	86259400	87205	1	WASHER, THRUST.51ID X1 ODBRO		
22	86256130	730402	1	STRAP, STATIC, .2T X 1W X 3L		

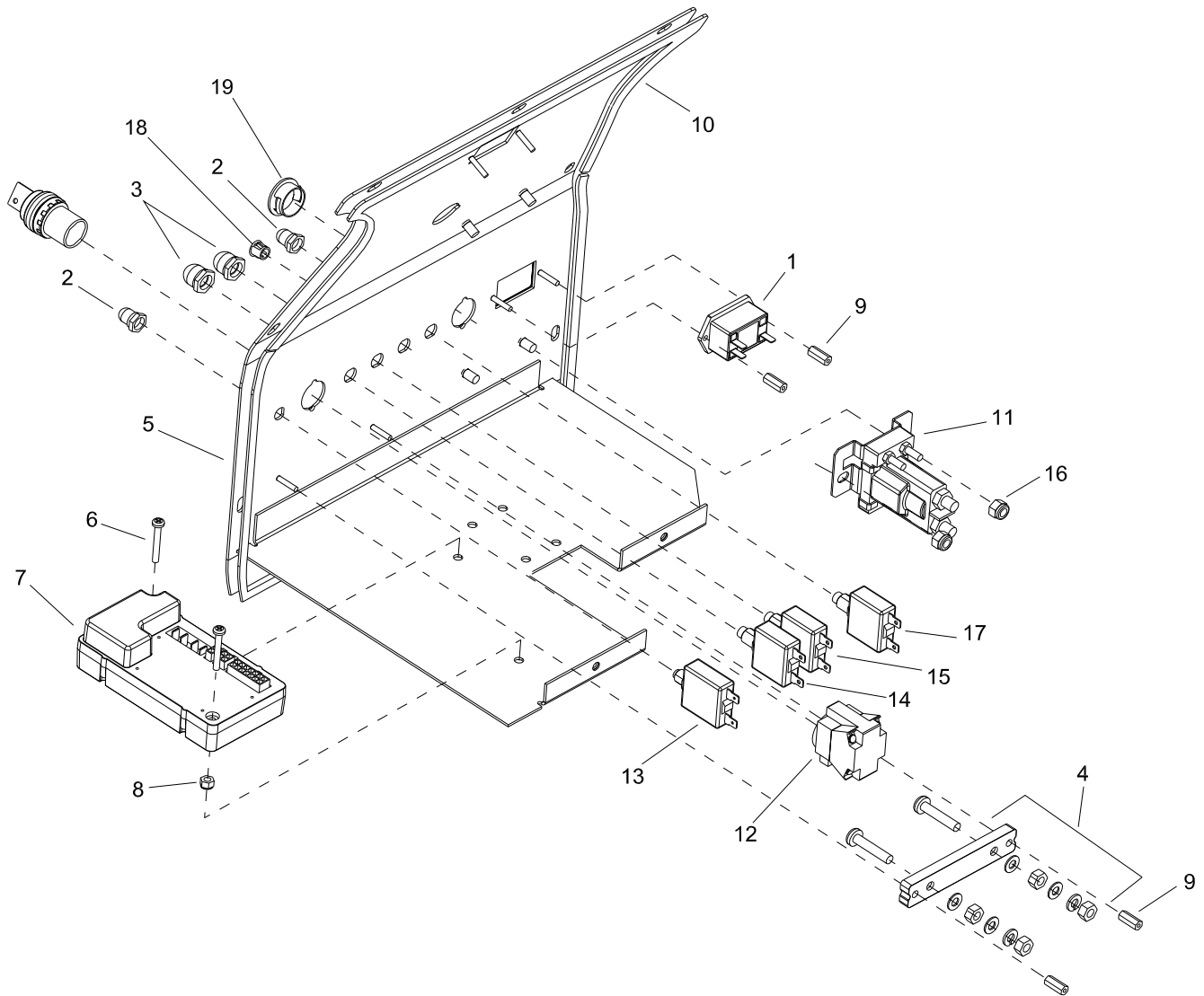
# CONTROL HANDLE



## CONTROL HANDLE

REF	PART NO.	PRV NO.	QTY	DESCRIPTION	SERIAL NO. FROM	NOTES:
1	86277050	70782	4	SCR, 5/16-18 X 3/4 SHCS SS		
2A	86238730	38307	1	HANDLE, LEFT		
2B	86238740	38308	1	HANDLE, RIGHT		
3	86240990	41431	2	HOUSING, BUTTON		
4	86254920	730153	2	SPRING, COMP .24OD X 1.25X.018		
5	86277070	70784	2	SCR, 4-40 X 5/8 PPHMS		
6	86231480	140504	2	BUTTON, PROPEL		
7	86277060	70783	4	SCR, 8.32 X 7/8 PHTC TYPE 23		
8	86257230	730125	2	SWITCH, SPST MOM NO W/LEVER		
9	86004120	38312	-	PROPEL HANDLE ASM LEFT		
10	86004130	38313	-	PROPEL HANDLE ASM RIGHT		

# CONTROL PANEL-LOWER-BASIC

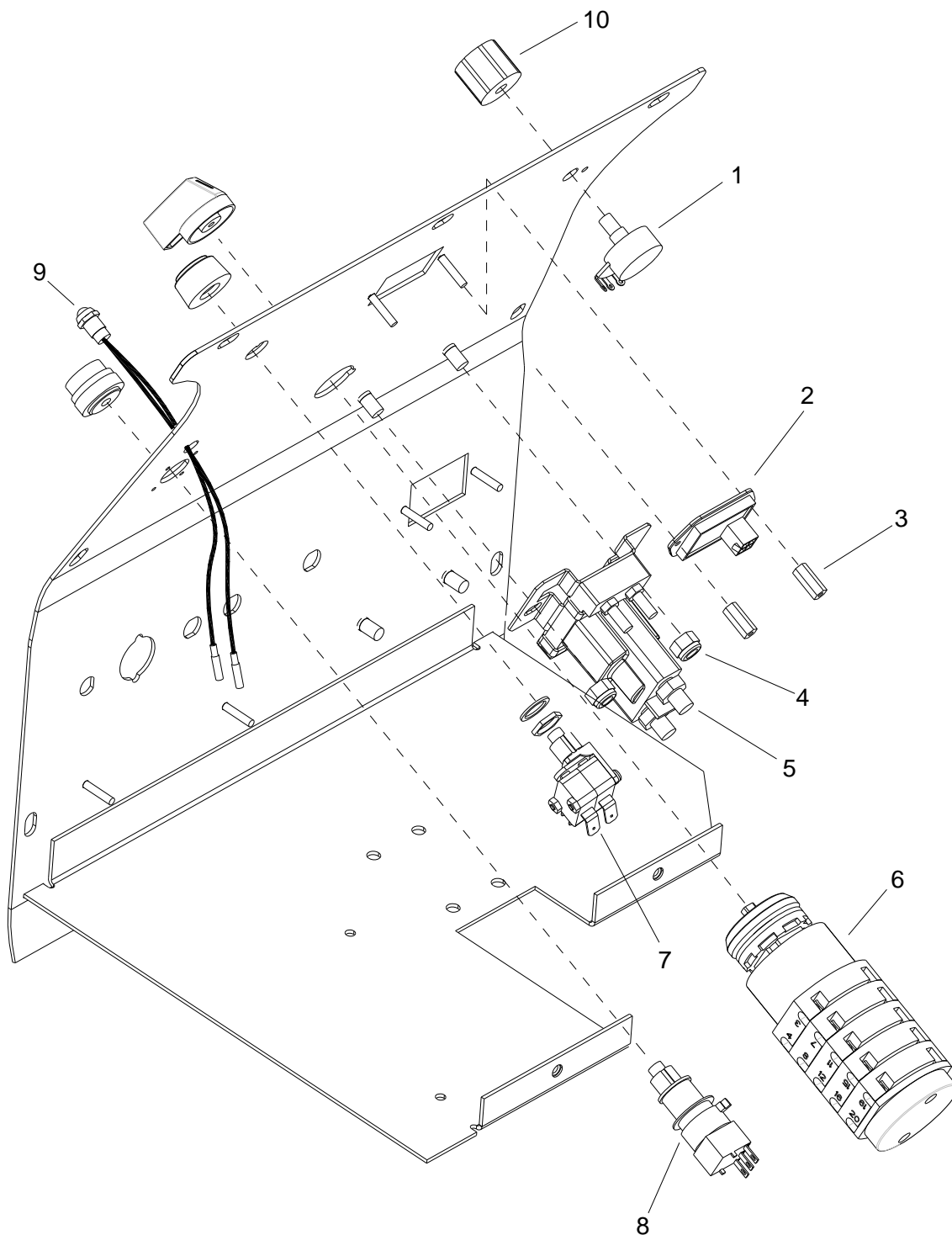




## CONTROL PANEL – LOWER-BASIC

REF	PART NO.	PRV NO.	QTY	DESCRIPTION	SERIAL NO. FROM	NOTES:
1	86005530	54154	1	METER, 12-48 VDC LED HOUR		
2	86002010	14942	2	BOOT, 3/8 CIRCUIT BREAKER		
3	86008900	80845	2	BOOT, SEAL-PUSH BUTTON 7/16-28		
4	86229770	140805	1	BLOCK, SHUNT MOUNT		
5	86295570	-	1	PANEL, CONTROL		
6	86273880	70030	2	SCR, 8-32 X 1.25 PPHMS		
7	86012910	-	1	CONTROLLER, I DRIVE		
8	86270850	57026	2	NUT, 8-32 HEX NYLOCK SS		
9	86255900	73538	4	STANDOFF, 6-32 X 5/8 HEX NYL		
10	86237900	35278	3	GASKET, .125 X .37W X 23L		
11	86251360	67166	1	RELAY, 36VDC 100A		
12	86007190	72161	1	SWITCH KEY DPST		
13	86002000	14717	1	BREAKER, 3 AMP		
14	86001920	14607	1	BREAKER, 25A VDC CIRCUIT		
15	86001910	14606	1	BREAKER, 30A 50VDC CIRCUIT		
16	86005810	57245	2	NUT, 1/4-20 HEX NYLOCK SS		
17	86230080	141044	1	BREAKER, 22A 250VAC, 50VDC		
18	86250210	66873	1	PLUG, DOME, .375"		
19	86250160	66321	1	PLUG, .875"		

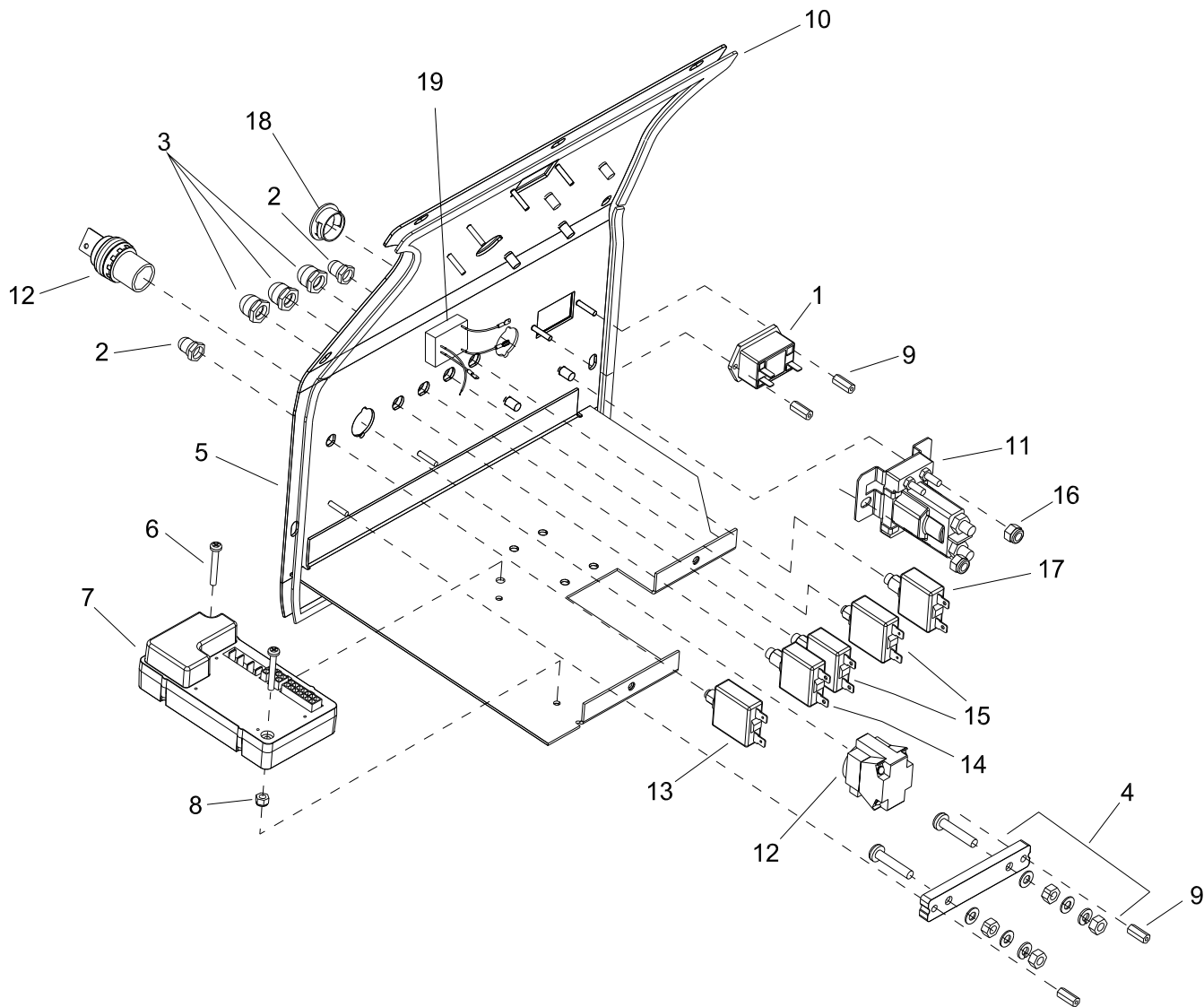
# CONTROL PANEL – UPPER - BASIC



## CONTROL PANEL – UPPER- BASIC

REF	PART NO.	PRV NO.	QTY	DESCRIPTION	SERIAL NO. FROM	NOTES:
1	86006310	66335	1	POTENTIOMETER, 50 K OHMS		
2	86012670	-	1	METER. BATTERY, PG TRUE CHARGE		
3	86255900	73538	2	STANDOFF, 3-32 X 5/8 HEX NYL		
4	86005810	57245	2	NUT, 1/4-20 HEX NYLOCK SS		
5	86251360	67166	1	RELAY, 36VDC 100A		
6	86014690	-	1	SWITCH, ROTARY CAM		
7	86257180	72207	1	SWITCH, MOMENTARY, DPDT, WHITE		
8	86257150	72197	1	SWITCH, SPDT P-BUTTON		
9	86026010	82522	1	LIGHT ASM, INDICATOR		
10	86242110	48088	1	KNOB, .90 OD X .25 COLLET		

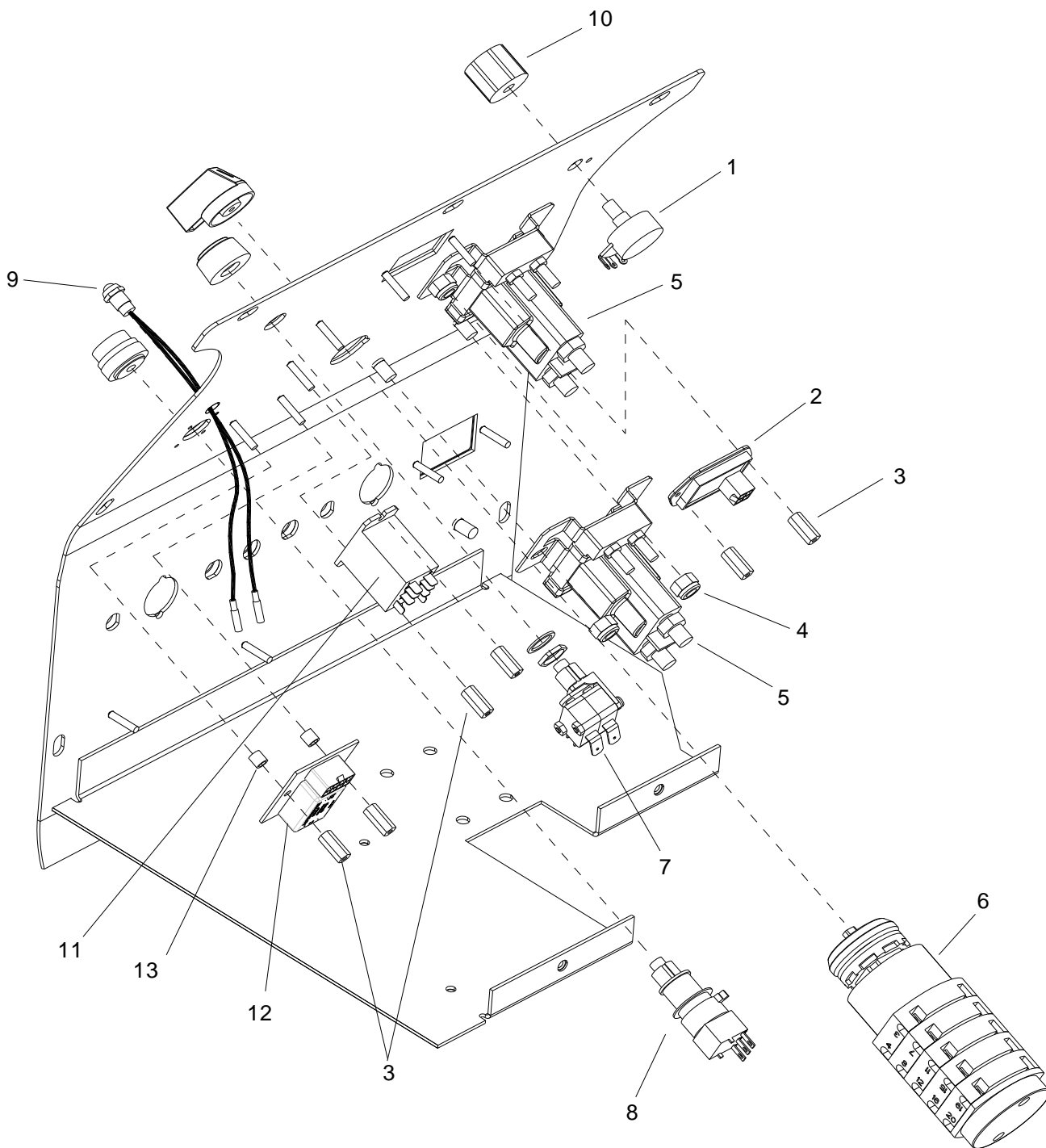
# CONTROL PANEL – LOWER - DELUXE



## CONTROL PANEL – LOWER - DELUXE

REF	PART NO.	PRV NO.	QTY	DESCRIPTION	SERIAL NO. FROM	NOTES:
1	86005530	54154	1	METER, 12-48 VDC LED HOUR		
2	86002010	14942	2	BOOT, 3/8 CIRCUIT BREAKER		
3	86008900	80845	3	BOOT, SEAL-PUSH BUTTON 7/16-28		
4	86229770	140805	1	BLOCK, SHUNT MOUNT		
5	86295570	-	1	PANEL, CONTROL		
6	86273880	70030	2	SCR, 8-32 X 1.25 PPHMS		
7	86012910	-	1	CONTROLLER, I DRIVE		
8	86270850	57026	2	NUT, 8-32 HEX NYLOCK SS		
9	86255900	73538	4	STANDOFF, 6-32 X 5/8 HEX NYL		
10	86237900	35278	3	GASKET, .125 X .37W X 23L		
11	86251360	67166	1	RELAY, 36VDC 100A		
12	86007190	72161	1	SWITCH KEY DPST		
13	86002000	14717	1	BREAKER, 3 AMP		
14	86001920	14607	1	BREAKER, 25A VDC CIRCUIT		
15	86001910	14606	2	BREAKER, 30A 50VDC CIRCUIT		
16	86005810	57245	2	NUT, 1/4-20 HEX NYLOCK SS		
17	86230080	141044	1	BREAKER, 22A 250VAC, 50VDC		
18	86250160	66321	1	PLUG, .875"		
19	8629100	-	1	ASM, DC CONVERTER		

# CONTROL PANEL - UPPER - DELUXE

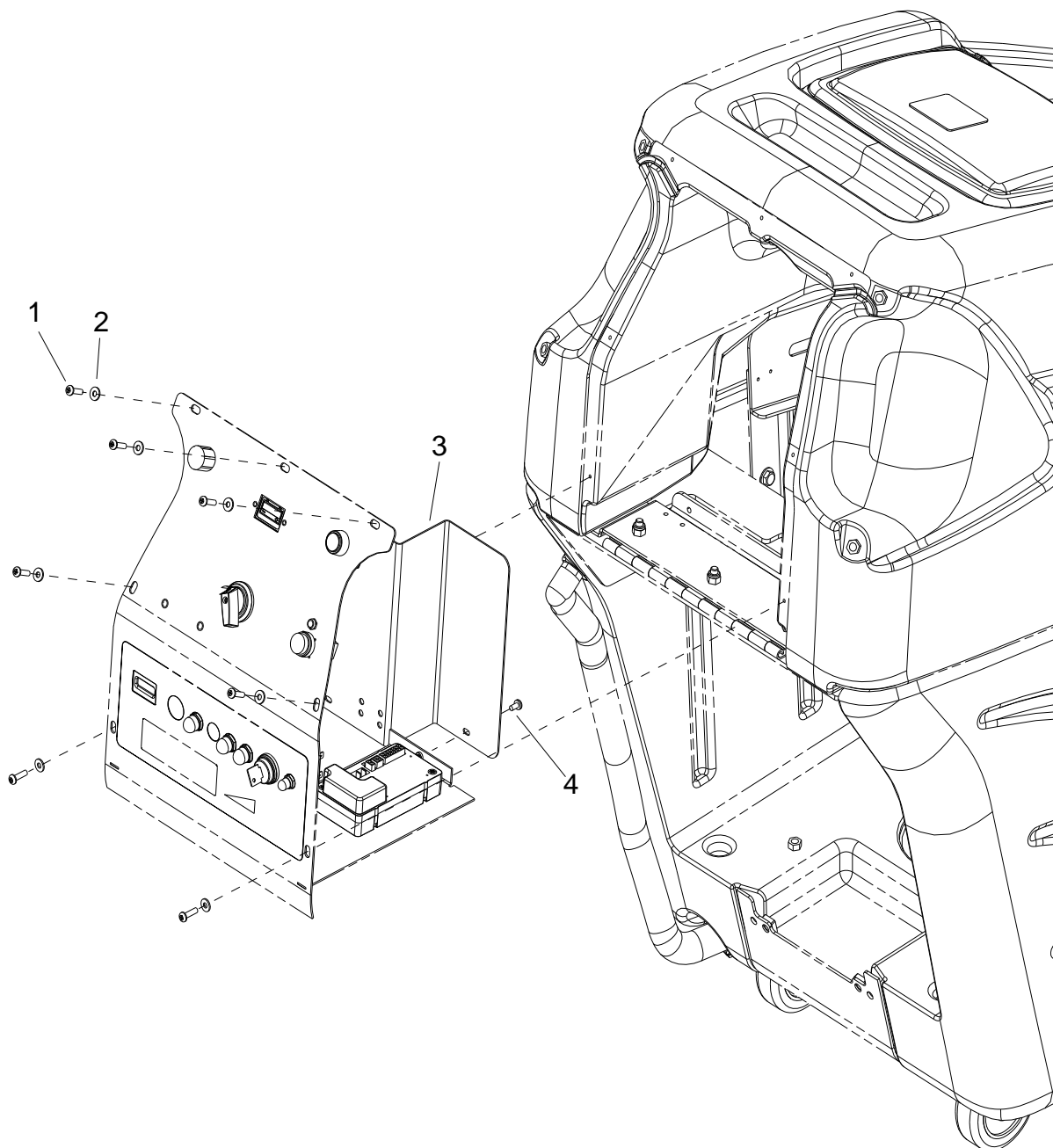


## CONTROL PANEL - UPPER - DELUXE

REF	PART NO.	PRV NO.	QTY	DESCRIPTION	SERIAL NO. FROM	NOTES:
1	86006310	66335	1	POTENTIOMETER, 50 K OHMS		
2	86012670	-	1	METER. BATTERY, PG TRUE CHARGE		
3	86255900	73538	6	STANDOFF, 3-32 X 5/8 HEX NYL		
4	86005810	57245	4	NUT, 1/4-20 HEX NYLOCK SS		
5	86251360	67166	2	RELAY, 36VDC 100A		
6	86014690	-	1	SWITCH, ROTARY CAM, 4 POS		
7	86257180	72207	1	SWITCH, MOMENTARY, DPDT, WHITE		
8	86257150	72197	1	SWITCH, SPDT P-BUTTON		
9	86026010	82522	1	LIGHT ASM, INDICATOR		
10	86242110	48088	1	KNOB, .90 OD X .25 COLLET		
11	86251410	67506	1	RELAY, 15A 36V MINI		
12	86300140	-	1	ASM, DC CONV.	**	WAS 86296100
13	86254640	82810	2	SPACER, .25 OD X .171 ID X .25		

\*\* CALL MANUFACTURER FOR SERIAL NUMBER.

# CONTROL PANEL MOUNTING

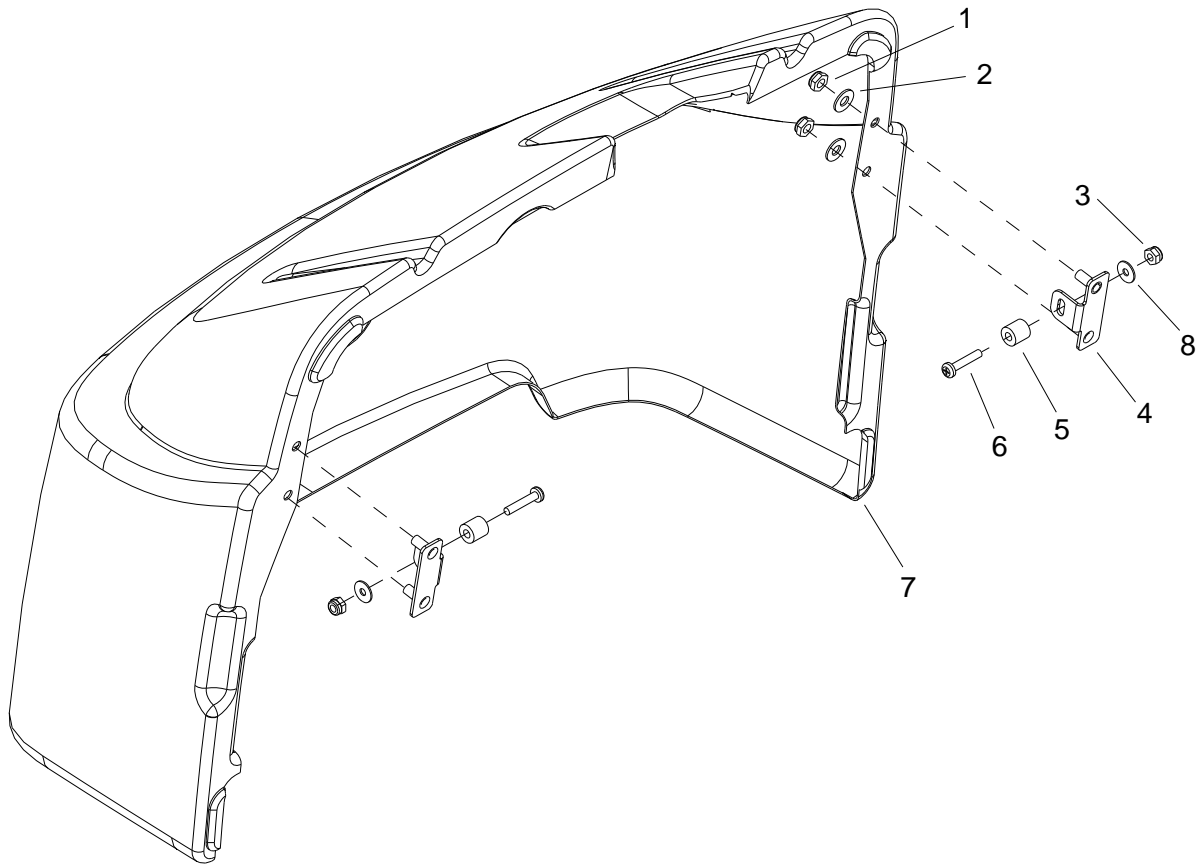




## **CONTROL PANEL MOUNTING**

REF	PART NO.	PRV NO.	QTY	DESCRIPTION	SERIAL NO. FROM	NOTES:
1	86276290	70626	7	SCR, #10 X 3/4 PPHST HI-LO BLK		
2	86294250	-	7	WASHER, .19 ID X .5 X .09TK BLK		
3	86072110	141056	1	BRKT, BACK, CONTROL PANEL		
4	86274290	70162	2	SCR, 10-32 X 3/8 PPHMS SS		

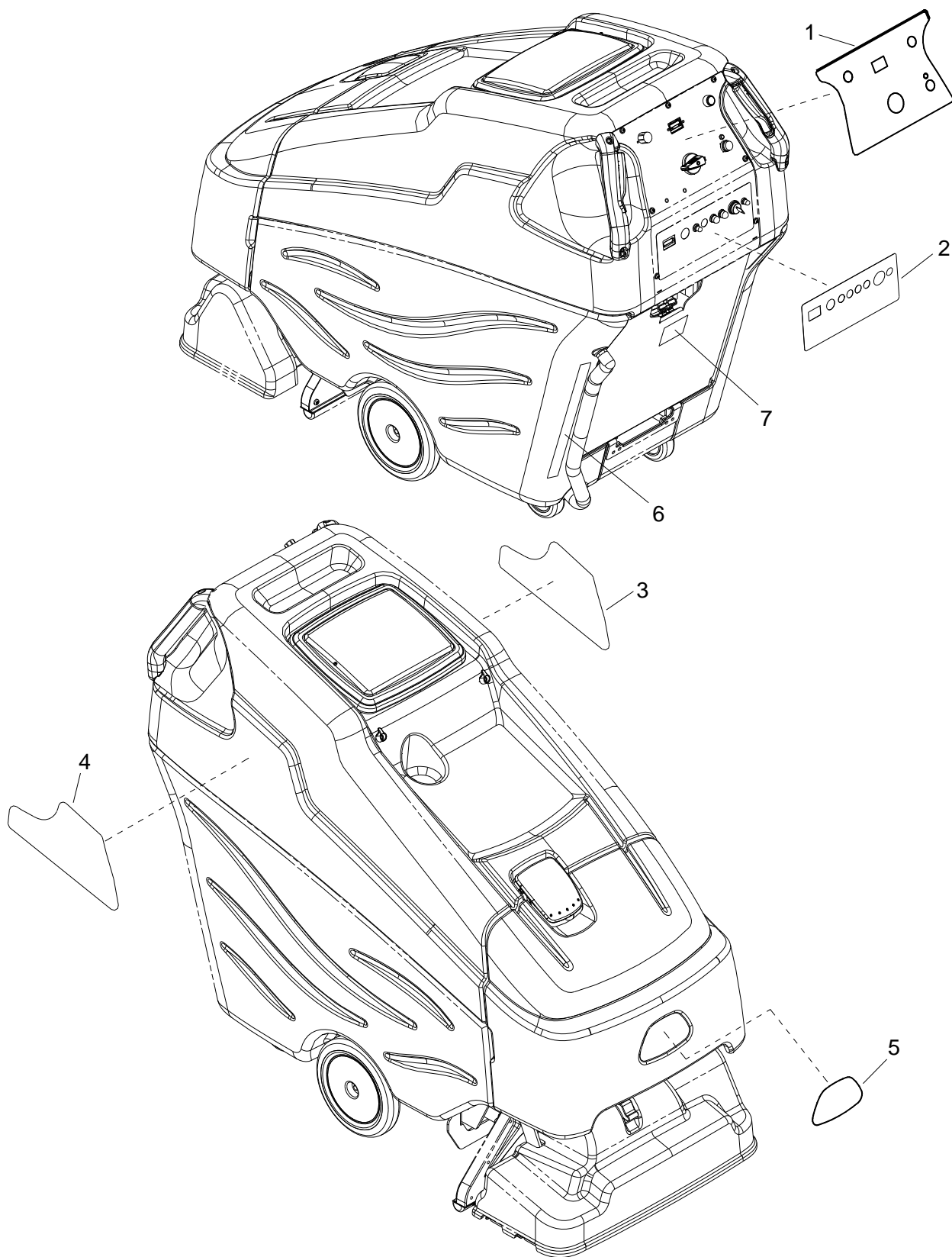
# COVER - FRONT



**COVER - FRONT**

REF	PART NO.	PRV NO.	QTY	DESCRIPTION	SERIAL NO. FROM	NOTES:
1	86271870	57290	4	NUT, 1/4-20 HEX NYLOCK THIN SS		
2	86010630	87013	4	WASHER, 1/4 ID X 5/8 OD SS		
3	86270990	57090	2	NUT, 10-32 HEX NYLOCK SS		
4	86290740	-	2	BRKT, FRONT LATCH		
5	86278390	73866	2	SPACER, 1/2" OD X .219 ID X 1/2"		
6	86006830	70386	2	SCR, 10-32 X 1.0 PPHMS		
7	86062330	270168	1	COVER, FRONT, 20 IN		
8	86010650	87018	2	WASHER, #10 X 9/16 OD		

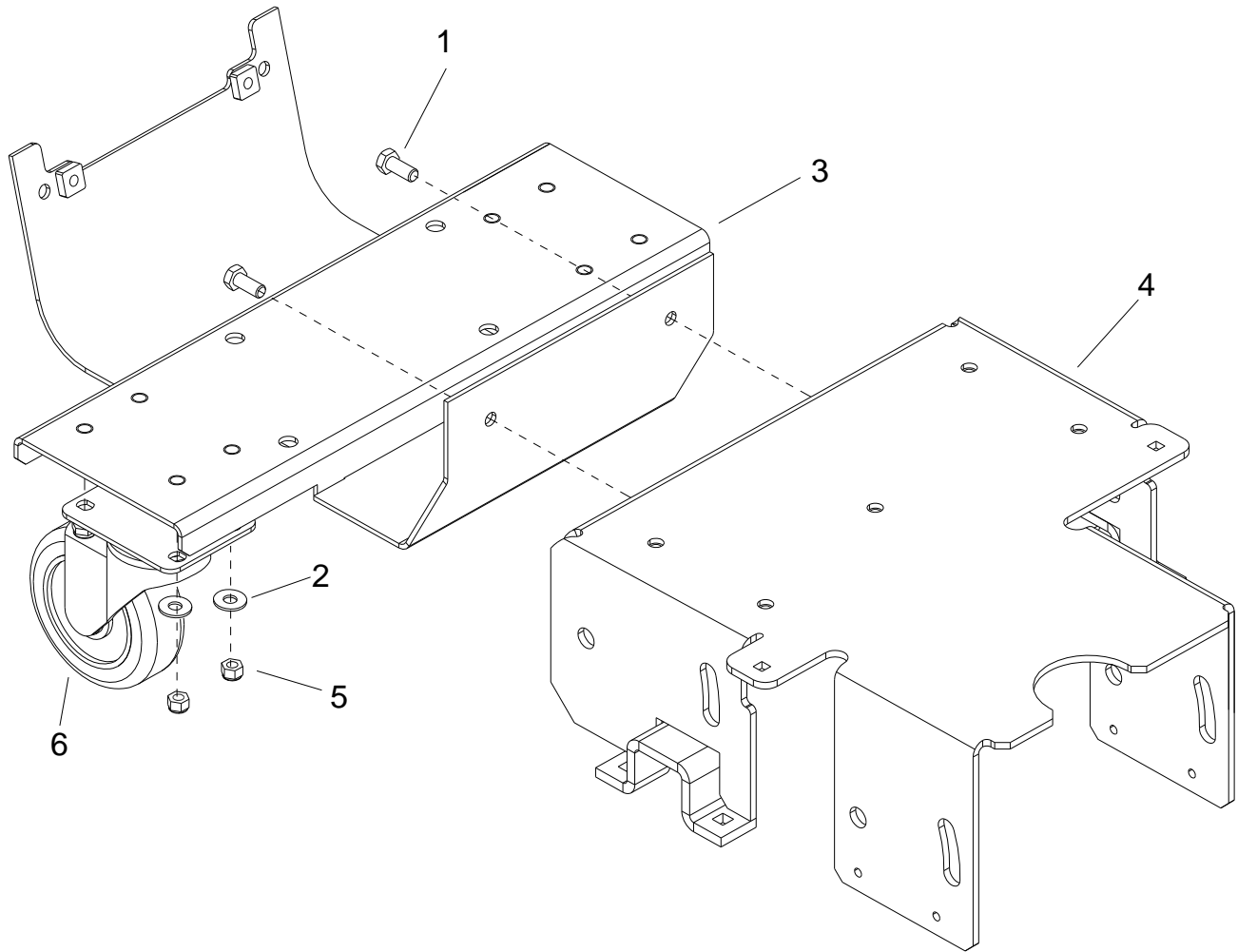
# DECAL



**DECAL**

REF	PART NO.	PRV NO.	QTY	DESCRIPTION	SERIAL NO. FROM	NOTES:
1	86013270	-	1	LABEL, BASIC CONTROL		
2	86013310	-	1	LABEL, EXTRACTORS, BREAKERS		
3	86013670	-	1	LABEL, COMMODORE, LEFT		
4	86013680	-	1	LABEL, COMMODORE RIGHT		
5	86004970	50990	1	LABEL, WINDSOR LOGO DOMED		
6	86013320	-	1	LABEL, SOL FILL, 20 GAL		
7	86014330	-	1	LABEL, CHARGER CONNECTION		

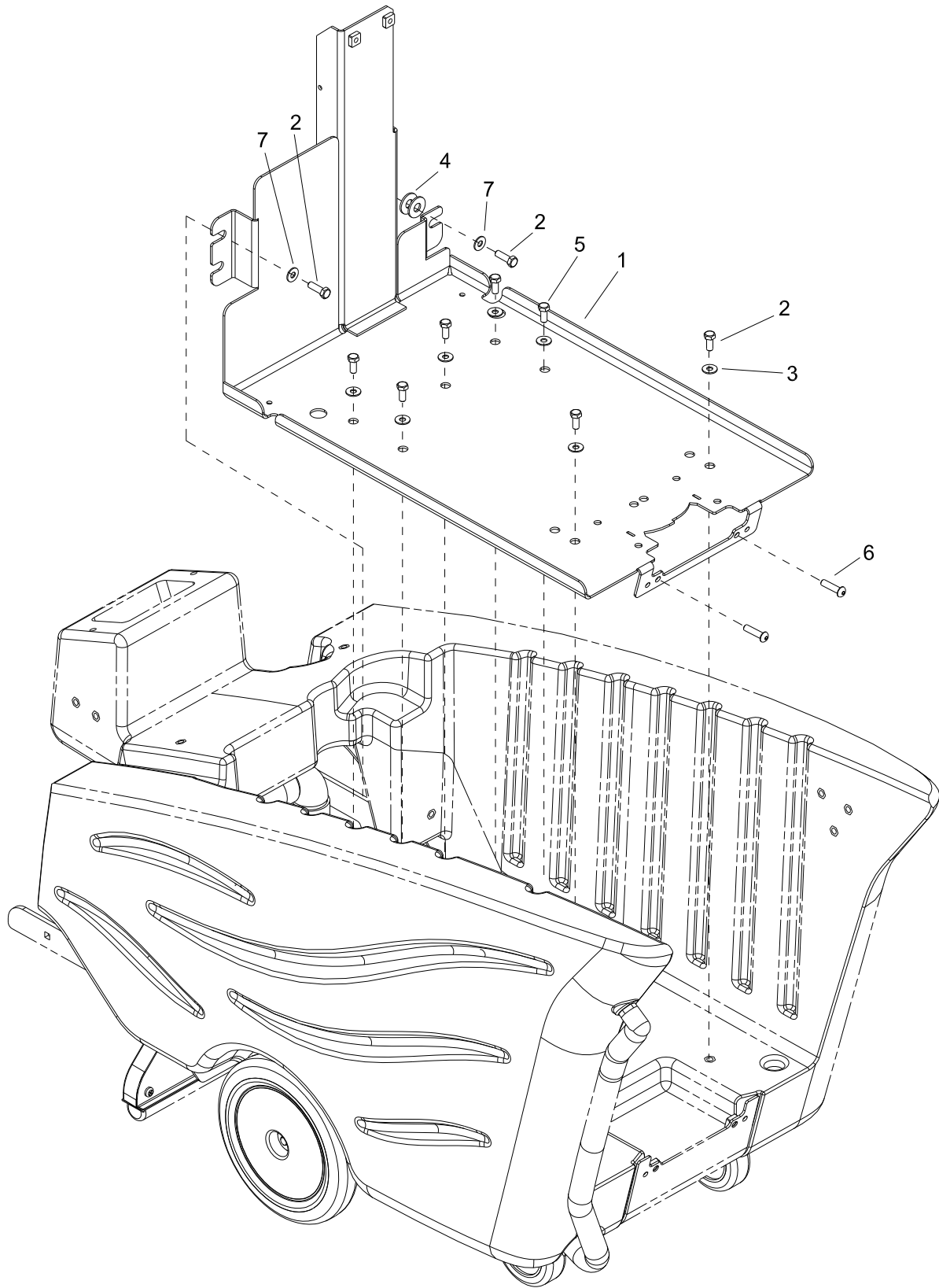
# FRAME-LOWER



**FRAME-LOWER**

REF	PART NO.	PRV NO.	QTY	DESCRIPTION	SERIAL NO. FROM	NOTES:
1	86276780	70728	2	Kärcher SCR, 5-16-18 X 3/4 HHCS SS		
2	86010670	87029	8	WASHER, 5/16 FLAT SS		
3	86091950	141053	1	BRKT, FRAME, CASTER MNT		
4	86092570	34473	1	FRAME, TRANSAXLE MTG		
5	86271840	57285	8	NUT, 5/16-18 HEX NYLOCK THIN SS		
6	86293740	-	2	CASTER, 4" SWIVEL, 300# CPCTY		

# FRAME-UPPER

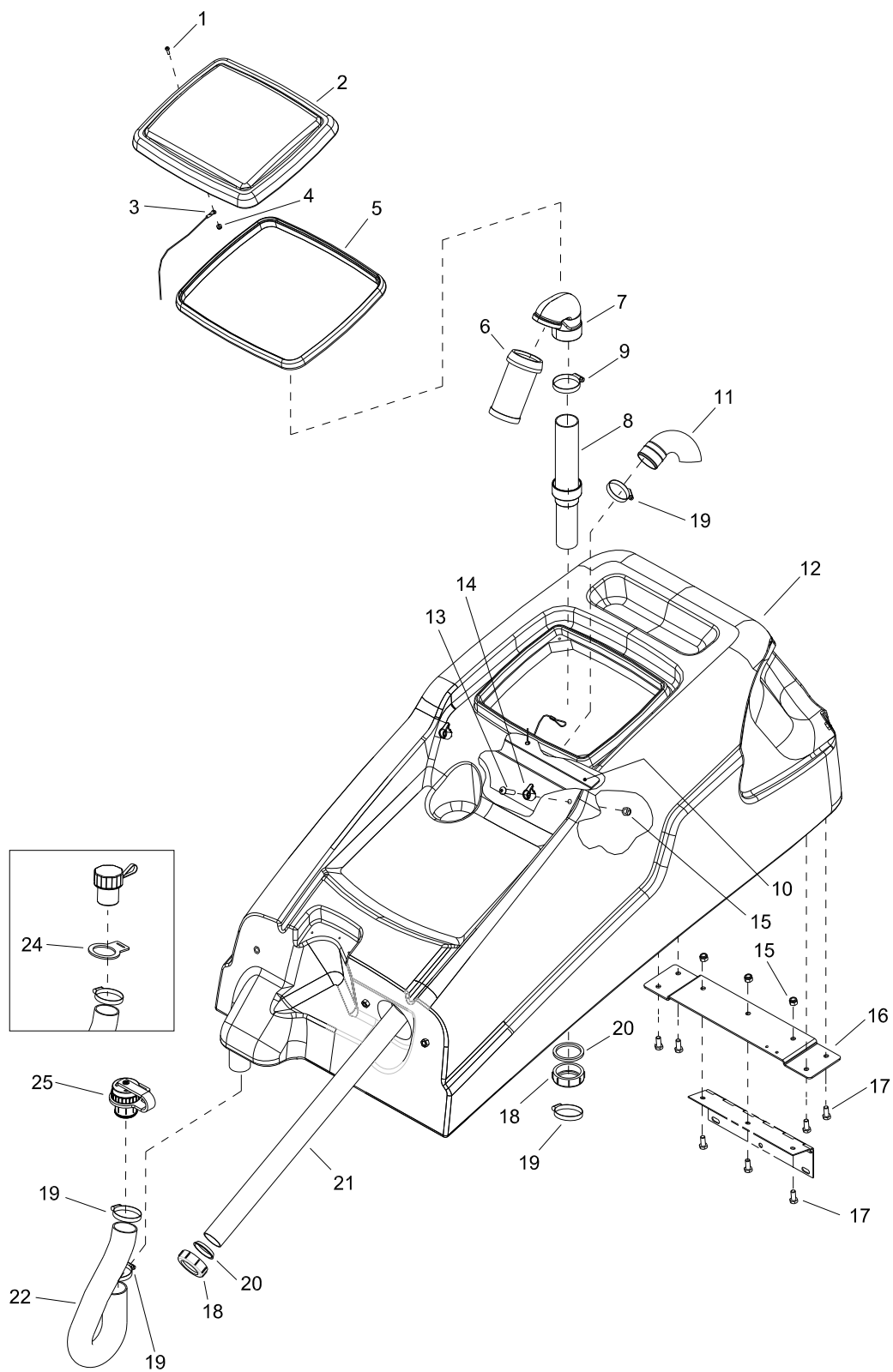




**FRAME - UPPER**

REF	PART NO.	PRV NO.	QTY	DESCRIPTION	SERIAL NO. FROM	NOTES:
1	86012890	-	1	WELDMENT, FRAME MAIN		
2	86276780	70728	4	SCR, 5/16-18 X 3/4 HHCS SS		
3	86010670	87029	7	WASHER, 5/16 FLAT SS		
4	86279580	87183	2	WASHER, 1/2 X 1" X 1/8" NYLON		
5	86276490	70670	5	SCR, 5/16-18 X 5/8 HHCS SS		
6	86277460	70847	2	SCR, 5/16-18 X 5/8 BSHCS SS		
7	86279630	87212	2	WASHER, .344IDX1.13ODX.09T PLT		

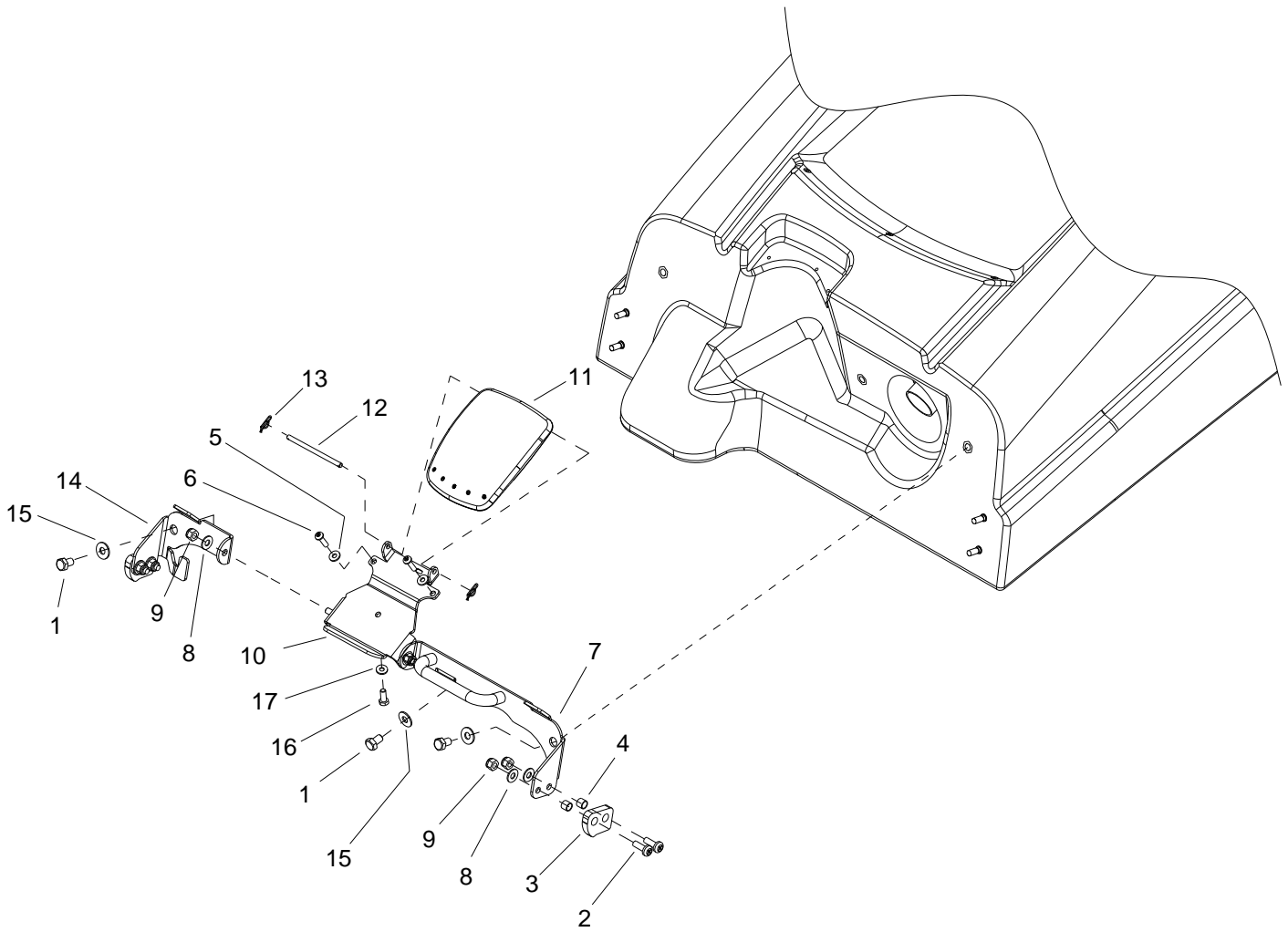
# RECOVERY TANK



## RECOVERY TANK

REF	PART NO.	PRV NO.	QTY	DESCRIPTION	SERIAL NO. FROM	NOTES:
1	86274220	70134	1	SCR, 6-32 X 5/8 PPHMS SS		
2	86003340	28062	1	DOME, 13 X 11		
3	86246080	51368	1	LANYARD, 18.0 W/LOOP & EYE		
4	86014810	-	1	NUT, 6-32 ACORN SS		
5	86004010	35274	1	GASKET, DOME EDGE		
6	86199840	090-12A	1	FLOAT SCREEN CAGE ASSY		
7	86227120	04095	1	ADAPTER, FLOAT 30 DEG		
8	86293240	-	1	TUBE ASM, RECOVERY FLOAT		
9	86002380	20046	1	CLAMP, 2.25" WORM GEAR		
10	86012150	-	1	BRKT, TANK STIFFEN		
11	86240130	39560	1	HOSE, P-TRAP 45 DEG		
12	86292740	-	1	TANK RECOVERY, TRIMMED		
13	86290830	-	2	SCR, 5/16-18 X 1.25 SHCS SS		
14	86238460	36259	2	HOOK, STRAP		
15	86270830	57023	5	NUT, 5/16-18 HEX NYLOCK SS		
16	86013350	-	1	BRKT, RECOVERY HINGE		
17	86276490	70670	7	SCR, 5/16-18 X 5/8 HHCS SS		
18	86005660	57033	2	NUT, 1.5 SLIP JOINT		
19	86002400	20064	4	CLAMP, 2.0" WORM GEAR X .312w		
20	86237650	35219	2	GASKET, 1 1/2 COMPRESSION		
21	86089630	78490	1	TUBE, 1.5 PVC X 24.0		
22	86004260	39472	1	HOSE, 1.5 X 24.0 DRAIN		
23	OPEN	-	-	-		
24	86246070	51352	1	LANYARD, DRAIN HOSE		
25	86328980	-	1	DRAIN CAP ASSEMBLY		

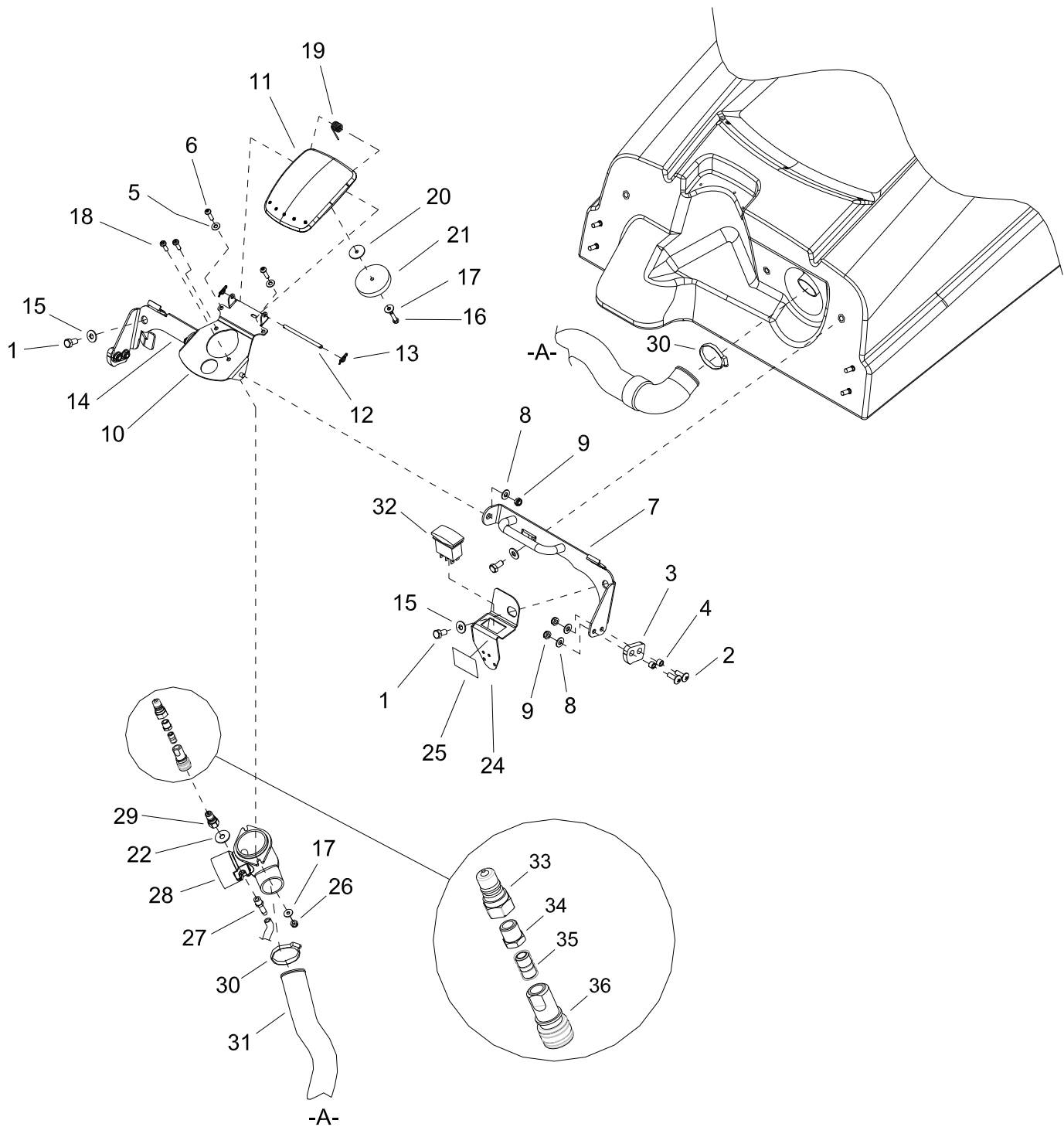
# RECOVERY TANK HANDLE - BASIC



## RECOVERY TANK HANDLE - BASIC

REF	PART NO.	PRV NO.	QTY	DESCRIPTION	SERIAL NO. FROM	NOTES:
1	86276490	70670	3	SCR, 5/16-18 X 5/8 HHCS SS		
2	86277640	70893	4	SCR, 1/4-20 X 3/4 PTHMS SS		
3	86290730	-	2	LATCH, FRONT COVER		
4	86226740	73215	4	SPACER, 3/8 X .265 X 1/4 NYL		
5	86010800	87189	2	WASHER, .21D X .500 BLK SS		
6	86276290	70626	2	SCR, #10 X 3/4 PPHST HI-LO BLK		
7	86011930	-	1	ASSEMBLY, BRKT, FRONT, LEFT		
8	86010630	87013	6	WASHER, 1/4 ID X 5/8 OD SS		
9	86271870	57290	6	NUT, 1/4-20 HEX NYLOCK THIN SS		
10	86013990	-	1	BRKT, COVER		
11	86217470	270800	1	COVER, ACCESSORY PORT		
12	86222620	66891	1	PIN, 5MM DIA X 85MM L		
13	86008650	80604	2	COTTER, 1/4" RING		
14	86291800	-	1	ASSEMBLY, BRKT, FRONT, RIGHT		
15	86010670	87029	3	WASHER, 5/16 FLAT SS		
16	86290850	-	1	SCR, M5 X 20 HHMS SS		
17	86010650	87018	1	WASHER, #10 X 9/16 OD		

# RECOVERY TANK HANDLE – DELUXE

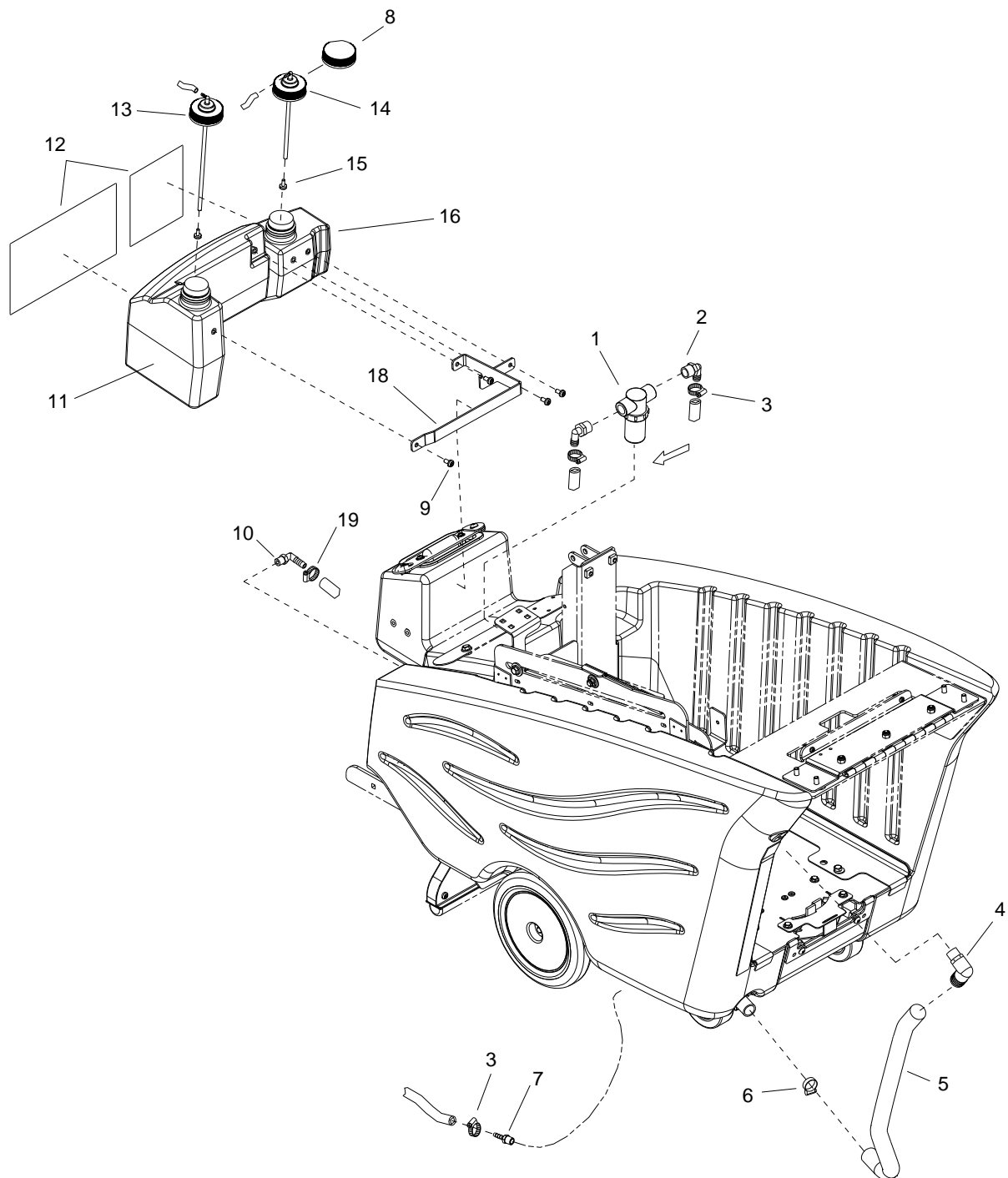


## RECOVERY TANK HANDLE - DELUXE

REF	PART NO.	PRV NO.	QTY	DESCRIPTION	SERIAL NO. FROM	NOTES:
1	86276490	70670	3	SCR, 5/16-18 X 5/8 HHCS SS		
2	86277640	70893	4	SCR, 1/4-20 X 3/4 PTHMS SS		
3	86290730	-	2	LATCH, FRONT COVER		
4	86226740	73215	4	SPACER, 3/8 X .265 X 1/4 NYL		
5	86010800	87189	2	WASHER, .21D X .500 BLK SS		
6	86276290	70626	2	SCR, #10 X 3/4 PPHST HI-LO BLK		
7	86011930	-	1	ASSEMBLY, BRKT, FRONT, LEFT		
8	86010630	87013	6	WASHER, 1/4 ID X 5/8 OD SS		
9	86271870	57290	6	NUT, 1/4-20 HEX NYLOCK THIN SS		
10	86294880	-	1	BRKT, ACC PORT COVER		
11	86217470	270800	1	COVER, ACCESSORY PORT		
12	86222620	66891	1	PIN, 5MM DIA X 85MM L		
13	86008650	80604	2	COTTER, 1/4" RING		
14	86291800	-	1	ASSEMBLY, BRKT, FRONT, RIGHT		
15	86010670	87029	3	WASHER, 5/16 FLAT SS		
16	86290850	-	1	SCR, M5 X 20 HHMS SS		
17	86010650	87018	3	WASHER, #10 X 9/16 OD		
18	86275470	70484	2	SCR, 10-32 X 5/8 PPHMS SS		
19	86224770	739989	1	SPRING, TORSION		
20	86279170	87093	1	WASHER, #10 X 1.0 FLAT		
21	86295160	-	1	GASKET, ACCESSORY PORT COVER		
22	86278910	87003	1	WASHER, 3/8 ID X 7/8 OD SS		
23	OPEN	-	-	-		
24	86293920	-	1	BRKT, PRIMER SWITCH		
25	86295720	-	1	LABEL, PRIMING		
26	86270990	57090	2	NUT, 10.32 HEX NYLOCK SS		
27	86197520	40011	1	HOSEBARB, 1/8MPT X 14 DL		
28	86217270	22110	1	COUPLER, ACC PORT VACUUM		
29	86200820	270-11A	1	NIPPLE, 1/8FPT QD MALE BRASS		
30	86002400	20064	2	CLAMP, 2.0" WORM GEAR X .312W		
31	86240120	39559	1	HOSE ASM, 1.5 BLK VAC X 5.0		
32	86007210	72165	1	SWITCH, DPDT 3-POSITION ROCKER		
33	86005580	56012	1	NIPPLE, 1/4 FPT QD	*(1,2,3,4)	
34	86197300	14079	1	BUSHING, 1/8 FPT X 1/4 MPT HEX	*(1,2,3,4)	
35	86247720	56032	1	NIPPLE, 1/8 CLOSE	*(1,2,3,4)	
36	86200810	270-11	1	NIPPLE, 1/8 FPT QD FEM BRASS	*(1,2,3,4)	

\* SEE SERIAL NUMBER PAGE.

# SOLUTION - CHEMICAL TANKS - DELUXE

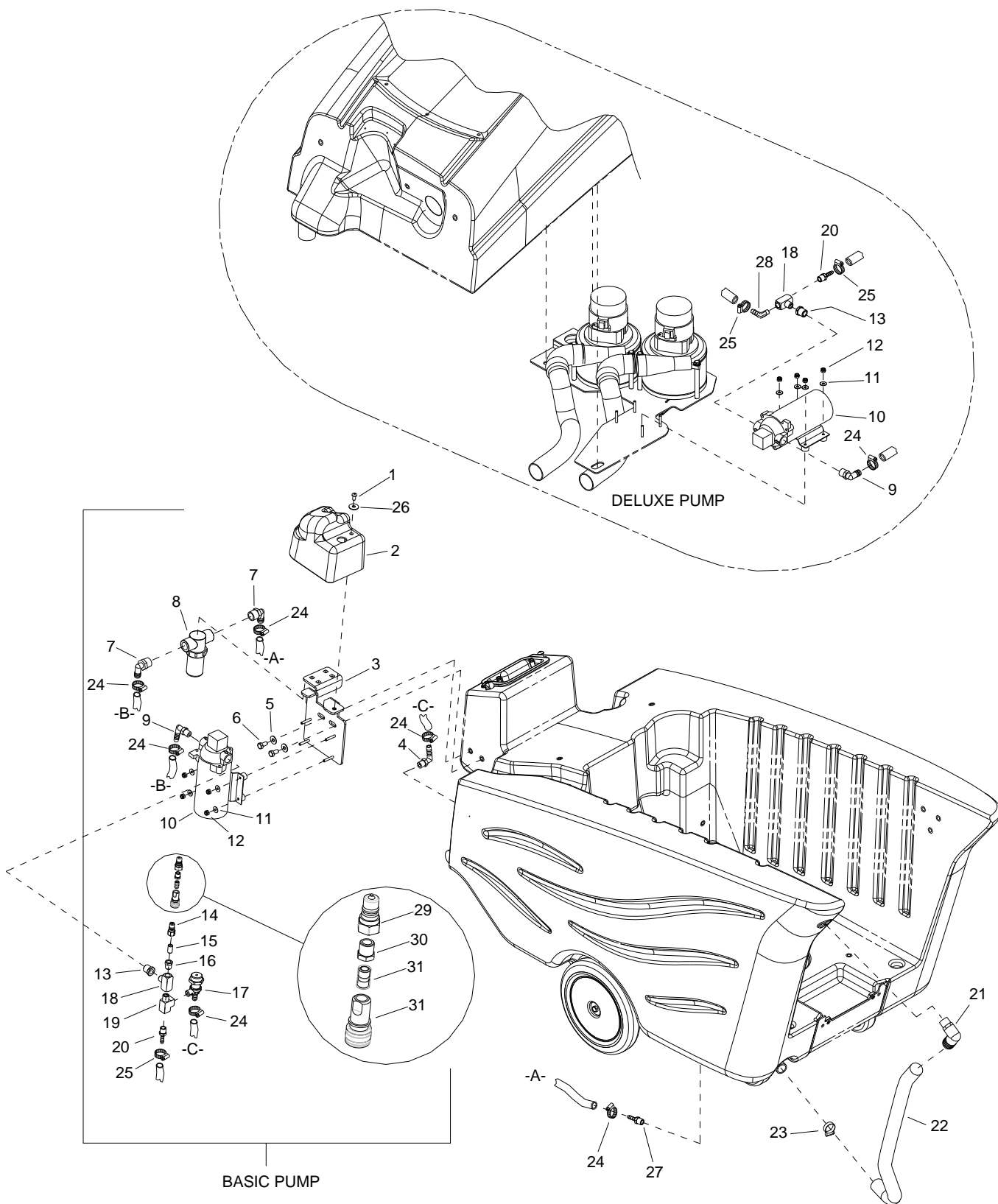




## SOLUTION - CHEMICAL TANKS - DELUXE

REF	PART NO.	PRV NO.	QTY	DESCRIPTION	SERIAL NO. FROM	NOTES:
1	86012760	-	1	STRAINER, 1/2 FPT, 80 MESH		
2	86001530	40039	2	HOSEBARB, 1/2MPT X 1/2 HOSE 90		
3	86233150	20042	3	CLAMP, 3/8 HOSE (D-SLOT)		
4	86197980	40055	1	HOSEBARB, 1/2 MPT X 1.0 90D NY		
5	86011360	-	1	HOSE, 1.0 ID X 1/8W X 21 CLR		
6	86233110	20018	1	CLAMP, 1.0' WORM GEAR		
7	86197910	40022	1	HOSEBARB, 1/2MPT X 1/2 POLY DL		
8	86295280	-	2	CAP, STORAGE		
9	86274400	70194	4	SCR, 1/4-20 X 5/8 BHCS		
10	86297610	-	1	HOSEBARB, 1/4 MPT X 1/4 9D NYL		
11	86019510	75492	1	TANK, INTERIM CHEMICAL		
12	86295710	-	1	LABEL, CHEMICAL TANKS		
13	86293960	-	1	CAP, DISPENSING, 8.00 TUBE		
14	86295310	-	1	CAP, DISPENSING, 6.50 TUBE		
15	86236570	34448	2	FOOT FILTER		
16	86088670	75493	1	TANK, EXTRACT CHEMICAL		
17	OPEN	-	-	-		
18	86294860	-	1	BRKT, CHEMICAL TANKS		
19	86233090	20016	1	CLAMP, 1/4 ID HOSE		

# SOLUTION PUMP

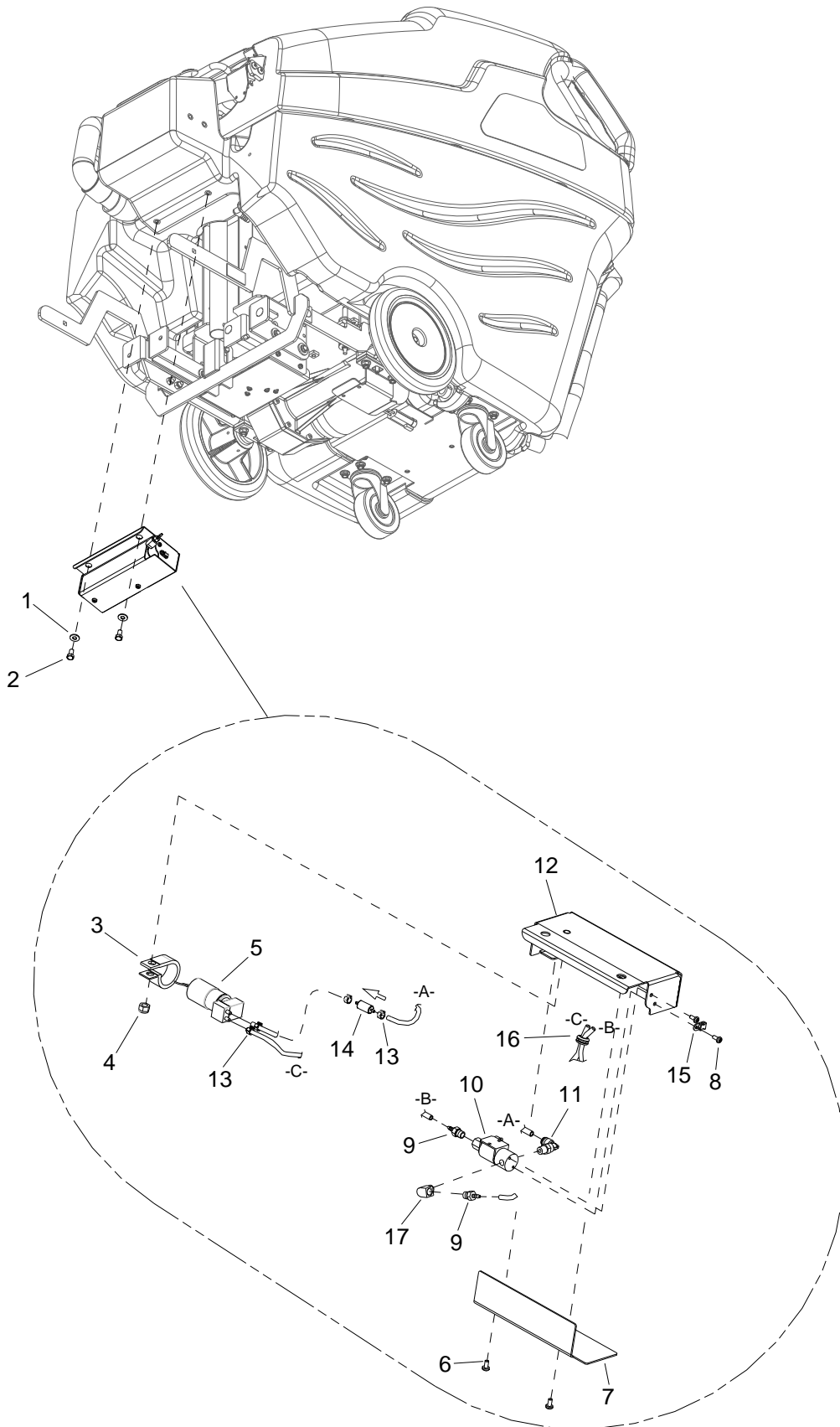


## SOLUTION PUMP

REF	PART NO.	PRV NO.	QTY	DESCRIPTION	SERIAL NO. FROM	NOTES:
1	86006580	70085	1	SCR, 1/4-20 X 1/2 PPHMS SS DL		
2	86292230	-	1	COVER, PUMP		
3	86012690	-	1	BRKT, PUMP MTG		
4	86240500	40095	1	HOSEBARB, 1/4MPT X 3/8 90D NYL		
5	86010670	87029	2	WASHER, 5/16 FLAT SS		
6	86276490	70670	2	SCR, 5/16-18 X 5/8 HHCS SS		
7	86001530	40039	2	HOSEBARB, 1/2MPT X 1/2 HOSE 90		
8	86012760	-	1	STRAINER, 1/2 FPT, 80 MESH		
-	86005870	59021	-	O-RING, FILTER SEAL RON-VIK		
-	86136800	73839	-	SCREEN, 80 MESH STRAINER DEEP		
9	86197940	40027	1	HOSEBARB, 3/8MPTX1/2 90D DL		
10	86006100	65176	1	PUMP ASM, 36V ACCESSORY		
11	86010650	87018	4	WASHER, #10 X 9/16 OD		
12	86270990	57090	4	NUT, 10-32 HEX NYLOCK SS		
13	86197290	14076	1	BUSHING, 3/8 MPT X 1/4 FPT HEX		
14	86200820	270-11A	1	NIPPLE, 1/8NPT QD MALE BRASS		
15	86247720	56032	1	NIPPLE, 1/8 CLOSE		
16	86197300	14079	1	BUSHING, 1/8 FPT X 1/4 MPT HEX		
17	86290000	-	1	VALVE, BYPASS, 125 PSI ADJ		
18	86197730	78024	1	TEE, 1/4 BRANCH		
19	86197760	78308	1	TEE, 1/4 STREET		
20	86197500	40009	1	HOSEBARB, 1/4MPT X 1/4 DL		
21	86197980	40055	1	HOSEBARB, 1/2 MPT X 1.0 90D NU		
22	86011360	-	1	HOSE, 1.0 ID X 1/8W X 21 CLR		
23	86233110	20018	1	CLAMP, 1.0" WORM GEAR		
24	86233150	20042	7	CLAMP, 3/8 HOSE (D-SLOT)		
25	86233090	20016	2	CLAMP, 1/4 ID HOSE		
26	86010630	87013	1	WASHER, 1/4 ID X 5/8 OD SS		
27	86197910	40022	1	HOSEBARB, 1/2MPTX1/2POLY DL		
28	86240360	40065	1	HOSEBARB, 1/4 MPT X 1/4 9D DL		
29	86005580	56012	1	NIPPLE, 1/4 FPT QD	*(1,2,3,4)	
30	86197300	14079	1	BUSHING, 1/8 FPT X 1/4 MPT HEX	*(1,2,3,4)	
31	86247720	56032	1	NIPPLE, 1/8 CLOSE	*(1,2,3,4)	
32	86200810	270-11	1	NIPPLE, 1/8 FPT QD FEM BRASS	*(1,2,3,4)	

\* SEE SERIAL NUMBER PAGE.

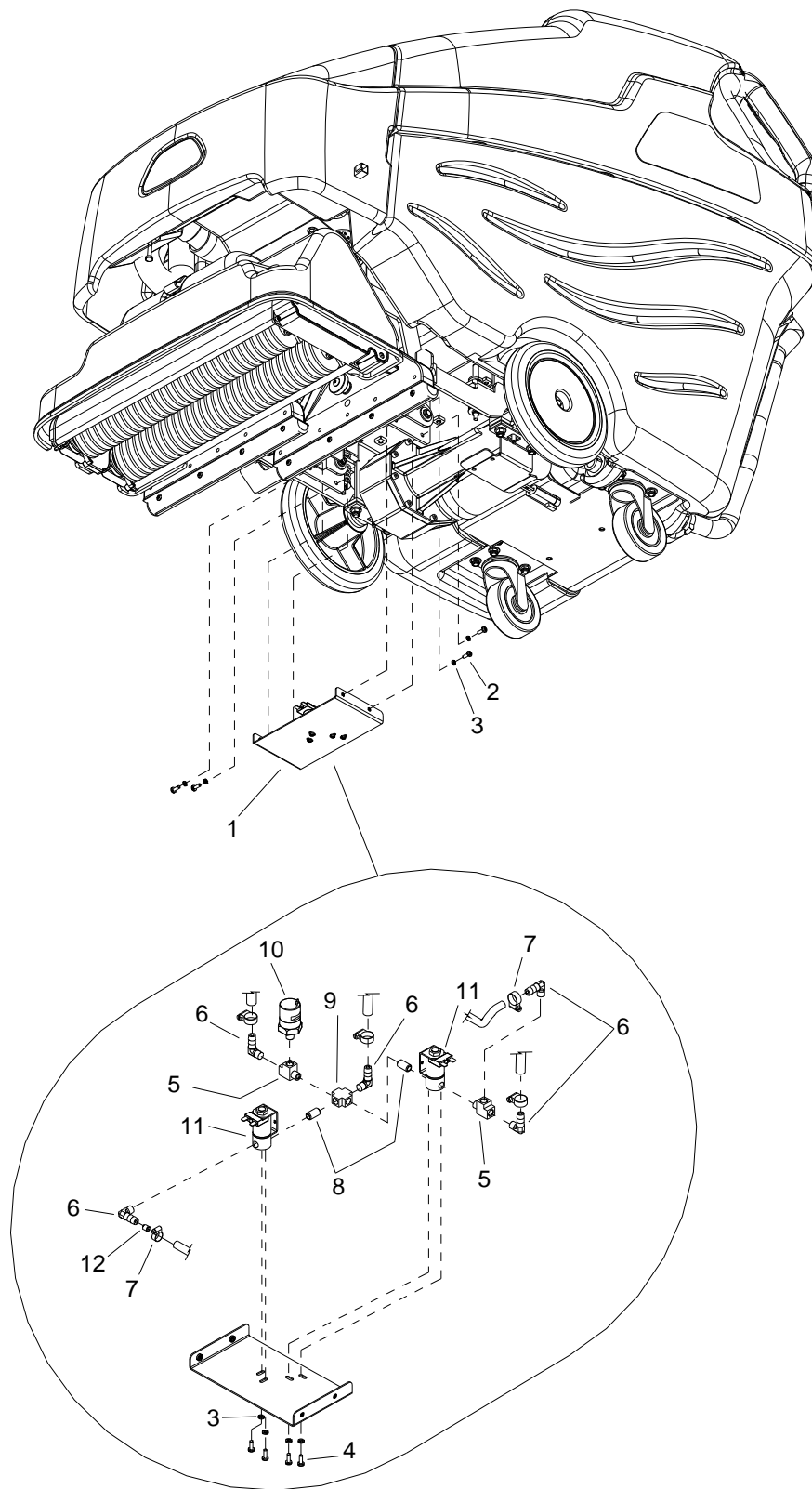
# SOLUTION – CHEMICAL PUMP - DELUXE



## SOLUTION – CHEMICAL PUMP - DELUXE

REF	PART NO.	PRV NO.	QTY	DESCRIPTION	SERIAL NO. FROM	NOTES:
1	86010670	87029	2	WASHER, 5/16 FLAT SS		
2	86276490	70670	2	SCR, 5/16-18 X 5/8 HHCS SS		
3	86295370	-	1	CLAMP, 1-1/4 P CUSHIONED		
4	86270830	57023	1	NUT, 5/16-18 HEX NYLOCK SS		
5	86297820	-	1	PUMP ASM, CHEMICAL 36VDC		
6	86274290	70162	2	SCR, 10-32 X 3/8 PPHMS SS		
7	86293970	-	1	BRKT, COVER		
8	86006520	70052	2	SCR, 8-32 X 3/8 PPHMS SS		
9	86295810	-	2	HOSEBARB, 1/8 MPT X 1/8		
10	86293720	-	1	VALVE, 3-WAY, 36 VDC		
11	86295290	-	1	ELBOW, SWIVEL, 6MM QC X 1/8 MPT		
12	86293880	-	1	BRKT, CHEMICAL PUMP		
13	86297460	-	4	CLAMP, 1/4" NYLON RATCHET		
14	86298040	-	1	FILTER, INLINE, 1/8 HOSEBARB		
15	86264860	05153	1	ANCHOR, CABLE TIE #8 MOUNT		
16	86238490	81388	1	GROMMET 3/8 ID X 1/8 GROOVE		
17	86197400	31022	1	ELBOW, 1/8 NPT STREET		

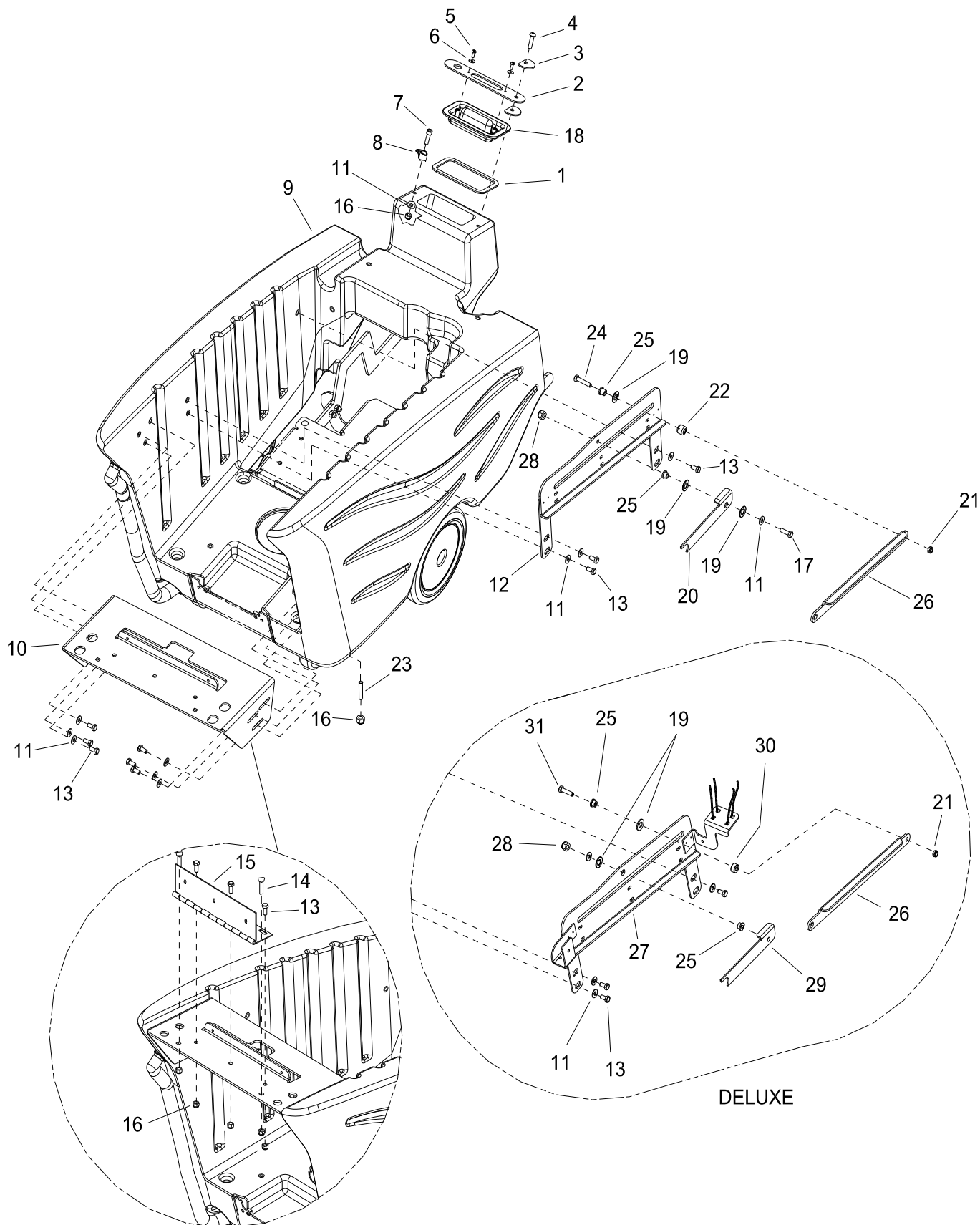
# SOLUTION –CHEMICAL VALVES – DELUXE



## **SOLUTION – CHEMICAL VALVES - DELUXE**

REF	PART NO.	PRV NO.	QTY	DESCRIPTION	SERIAL NO. FROM	NOTES:
1	86295260	-	1	BRACKET, SOLUTION BYPASS		
2	86273980	70066	4	SCR, 10-32 X 3/4 PPHMS SS		
3	86010650	87018	8	WASHER, #10 X 9/16 OD		
4	86005620	70052	4	SCR, 8-32 X 3/8 PPHMS SS		
5	86197750	78161	2	TEE, 1/8 NPT STREET RUN		
6	86240610	44104	5	HOSEBARB, 1/8MPT X 1/4H 90D		
7	86233090	20016	5	CLAMP, 1/4 ID HOSE		
8	86247720	56032	2	NIPPLE, 1/8 CLOSE		
9	86295650	-	1	CROSS, 1/8 NPT		
10	86297830	-	1	SWITCH ASM, PRESSURE		
11	86013030	-	2	VALVE, 36VDC SOLENOID, 1/8 FPT		
12	86295550	-	1	ORIFICE, SOLUTION BYPASS		

# SOLUTION TANK

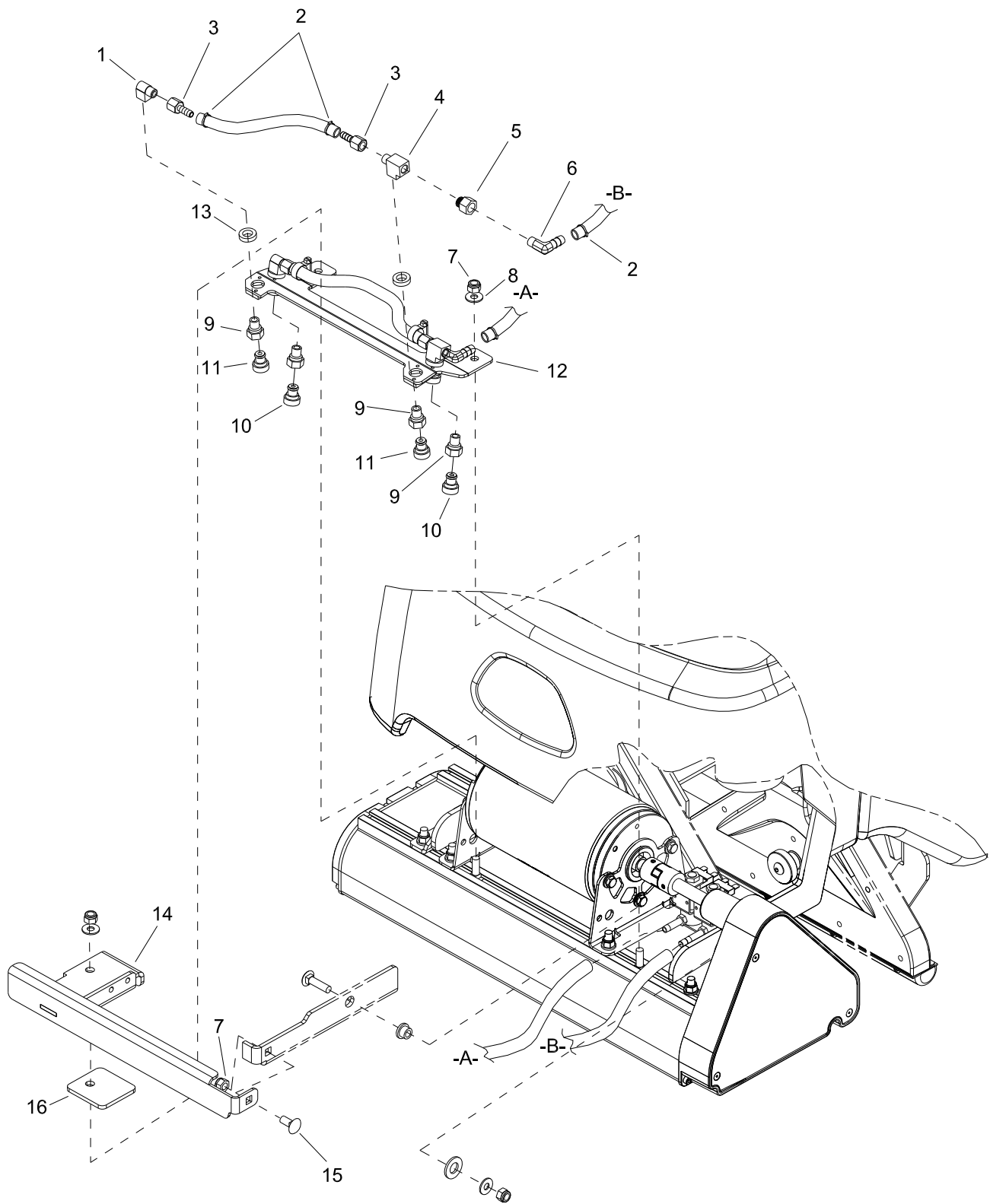




## SOLUTION TANK

REF	PART NO.	PRV NO.	QTY	DESCRIPTION	SERIAL NO. FROM	NOTES:
1	86011820	-	1	GASKET, INLET CAP		
2	86011810	-	1	RETAINER, INLET CAP		
3	86290370	-	2	WASHER D, .346 ID X .105T		
4	86276760	70724	1	SCR, 5/16-18 X 1.25 BSHCS SS		
5	86006860	70403	2	SCR, #10 X 1/2 PPHST TYPE B SS		
6	86010650	87018	2	WASHER, #10 X 6/16 OD		
7	86290830	-	1	SCR, 5/16-18 X 1.25 SHCS SS		
8	86238460	36259	1	HOOK, STRAP		
9	86292730	-	1	TANK SOLUTION, TRIMMED		
10	86072200	141069	1	BRKT, SOLUTION HINGE		
11	86010670	87029	12	WASHER, 5/16 FLAT SS		
12	86013700	-	1	WELDMENT, LIFT SLIDE		
13	86276490	70670	12	SCR, 5/16-18 X 5/8 HHCS SS		
14	86276070	70593	2	SCR, 5/16-18 X 3/4 CARRIAGE SS		
15	86239630	41429	1	HINGE, COVER TO TANK		
16	86270830	57023	9	NUT, 5/16-18 HEX NYLOCK SS		
17	86006560	70083	1	SCR, 5/16-18 X 1 HHCS SS NP		
18	86217540	279994	1	COVER, SOLUTION TANK		
19	86259410	87206	3	WASHER, THRUST .51 ID X 1ODX.063		
20	86290190	-	1	BRKT, PROP ROD CATCH		
21	86271840	57285	1	NUT, 5/16-18 HEX NYLOCK THIN SS		
22	86259910	89265	1	WHEEL, BATTERY TRAY		
23	86276380	70639	2	SCR, 5/16-18 X 1.25 SSSCU		
24	86274720	70264	1	SCR, 5/16-18 X 1.5 HHCS SS		
25	86228990	09153	2	BEARING, FLNGD, .314ID X .502OD		
26	86011630	-	1	PLATE, PROP ROD		
27	86011490	-	1	WELDMENT, LIFT SLIDE, STRAINER		
28	86197040	57264	1	NUT, 5/16-18 HEX ACORN PLTD		
29	86295730	-	1	BRKT, PROP ROD CATCH		
30	86293700	-	1	SPACER, .75 X .322 ID X .38L		
31	86007020	70673	1	SCR, 5/16-18 X 1.25 HHCS SS NP		

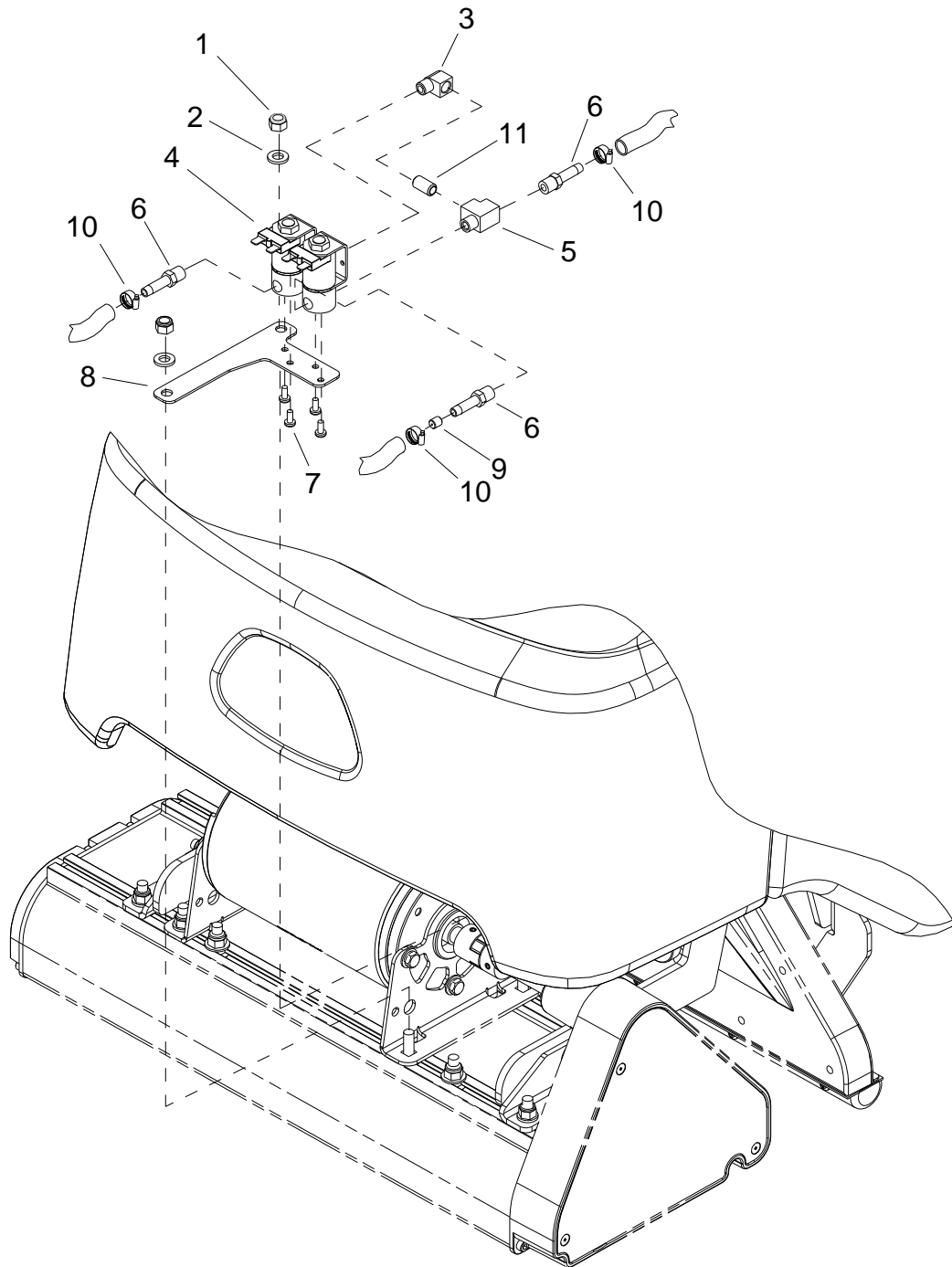
# SPRAY JETS



## SPRAY JETS

REF	PART NO.	PRV NO.	QTY	DESCRIPTION	SERIAL NO. FROM	NOTES:
1	86197400	31022	2	ELBOW, 1/8NPT STREET		
2	86233090	20016	6	CLAMP, 1/4 ID HOSE		
3	86197640	40064	4	HOSEBARB, 1/8" FPT X 1/4"		
4	86197750	78161	2	TEE, 1/8 NPT STREET RUN		
5	86227200	04007	1	ADPTR 1/8MPTX1/8FPT BS AD		
6	86240610	44104	2	HOSEBARB, 1/8MPT X 1/4H 90D		
7	86270830	57023	3	NUT, 5/16-18 HEX NYLOCK SS		
8	86010670	87029	2	WASHER, 5/16 FLAT SS		
9	86004570	44067	4	JET BODY		
10	86013200	-	2	JET, MINI PROMAX 11004		
11	86012550	-	2	JET, PROMAX 11001		
12	86091880	141019	1	BRKT, JET, DUAL		
13	86010820	87192	4	WASHER, 7/16 X 3/4 X .19 RUBBER		
14	86296310	-	1	BRACKET, BUMPER ASSY		
15	86276070	70593	1	SCR, 5/16-19 X 3/4 CARRIAGE SS		
16	86297030	-	1	PLATE, BUMPER SPACER		

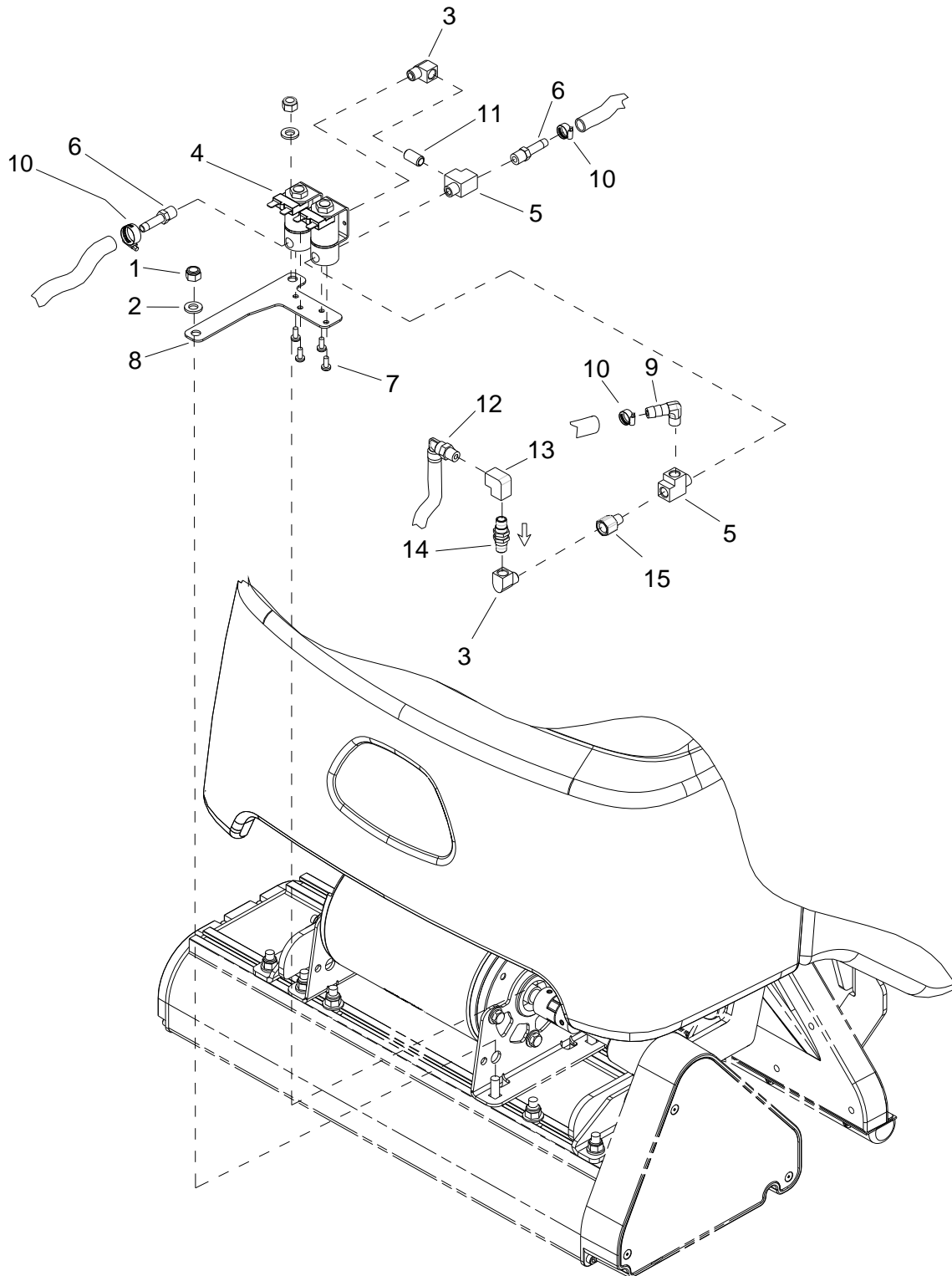
# SPRAY JET VALVES - BASIC



## SPRAY JET VALVES - BASIC

REF	PART NO.	PRV NO.	QTY	DESCRIPTION	SERIAL NO. FROM	NOTES:
1	86270830	57023	2	NUT, 5/16-18 HEX NYLOCK SS		
2	86010670	87029	2	WASHER, 5/16 FLAT SS		
3	86197400	31022	1	ELBOW, 1/8NPT STREET		
4	86013030	-	2	VALVE, 36VDC SOLENOID, 1/8 FPT		
5	86197750	78161	1	TEE, 1/8 NPT STREET RUN		
6	86197520	40011	3	HOSEBARB, 1/8MPT X 1/4 DL		
7	86006520	70052	4	SCR, 8-32 X 3/8 PPHMS SS		
8	86013070	-	1	BRACKET, DUO VALVE MOUNT		
9	86014250	-	1	ORIFICE, .052 ID, .281 OD		
10	86233090	20016	3	CLAMP, 1/4 ID HOSE		
11	86247720	56032	1	NIPPLE, 1/8 CLOSE		

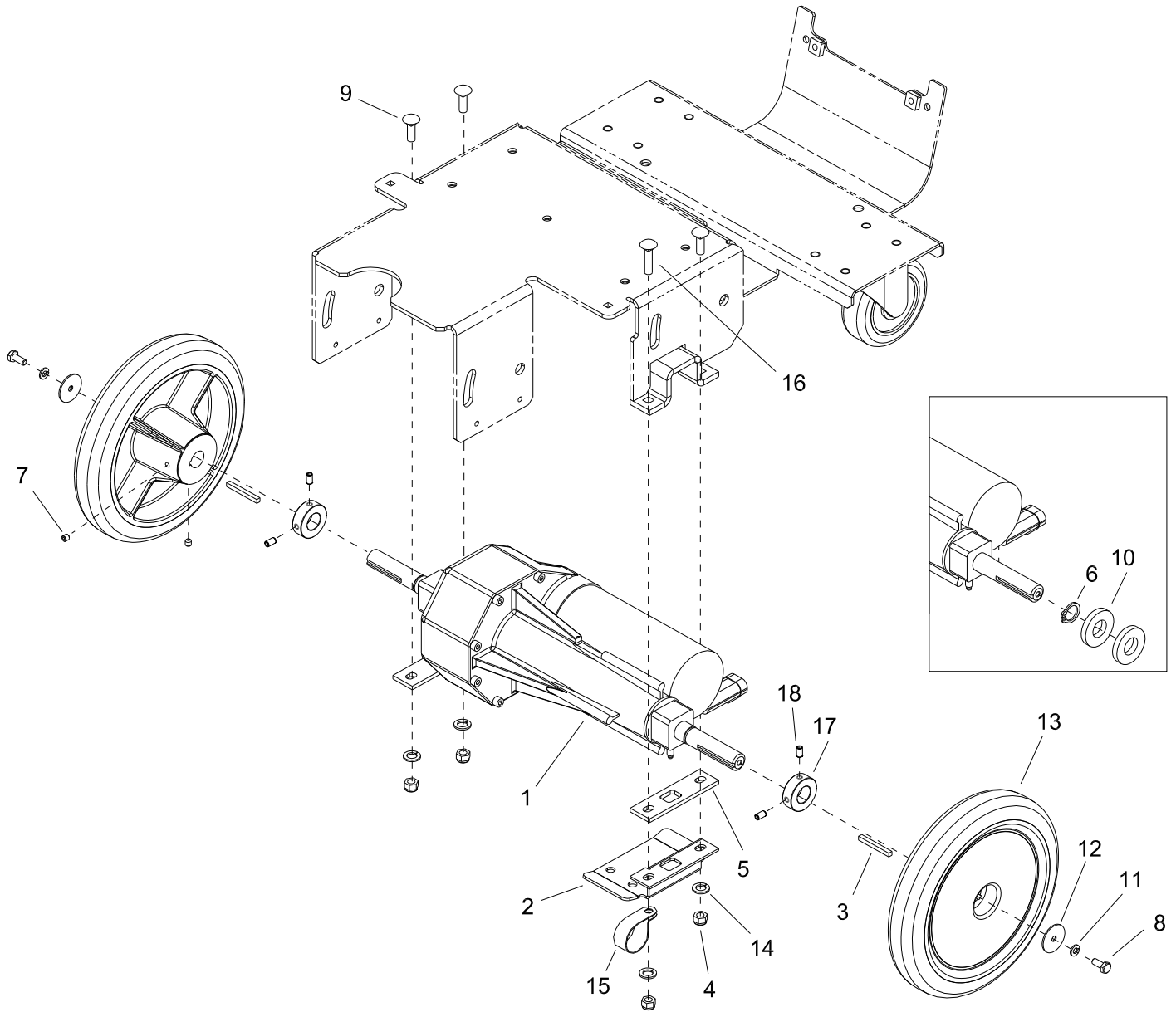
# SPRAY JET VALVES - DELUXE



## SPRAY JET VALVES – DELUXE

REF	PART NO.	PRV NO.	QTY	DESCRIPTION	SERIAL NO. FROM	NOTES:
1	86270830	57023	2	NUT, 5/16-18 HEX NYLOCK SS		
2	86010670	87029	2	WASHER, 5/16 FLAT SS		
3	86197400	31022	2	ELBOW, 1/8NPT STREET		
4	86013030	-	2	VALVE, 36VDC SOLENOID, 1/8 FPT		
5	86197750	78161	2	TEE, 1/8 NPT STREET RUN		
6	86197520	40011	2	HOSEBARB, 1/8MPT X 1/4 DL		
7	86006520	70052	4	SCR, 8-32 X 3/8 PPHMS SS		
8	86013070	-	1	BRACKET, DUO VALVE MOUNT		
9	86240610	44104	1	HOSEBARB, 1/8 MPT X 1/4 HOSE 90D		
10	86233090	20016	3	CLAMP, 1/4 ID HOSE		
11	86247720	56032	1	NIPPLE, 1/8 CLOSE		
12	86295290	-	1	ELBOW, SWIVEL, 6MM QC C 1/8 MPT		
13	86296220	-	1	ELBOW, 1/8 FPT		
14	86295300	-	1	VALVE, CHECK, 1/8 MPT		
15	86227200	04007	1	ADPTR 1/8MPTX1/8FPT BS AD		

# WHEEL AND DRIVE ASSEMBLY





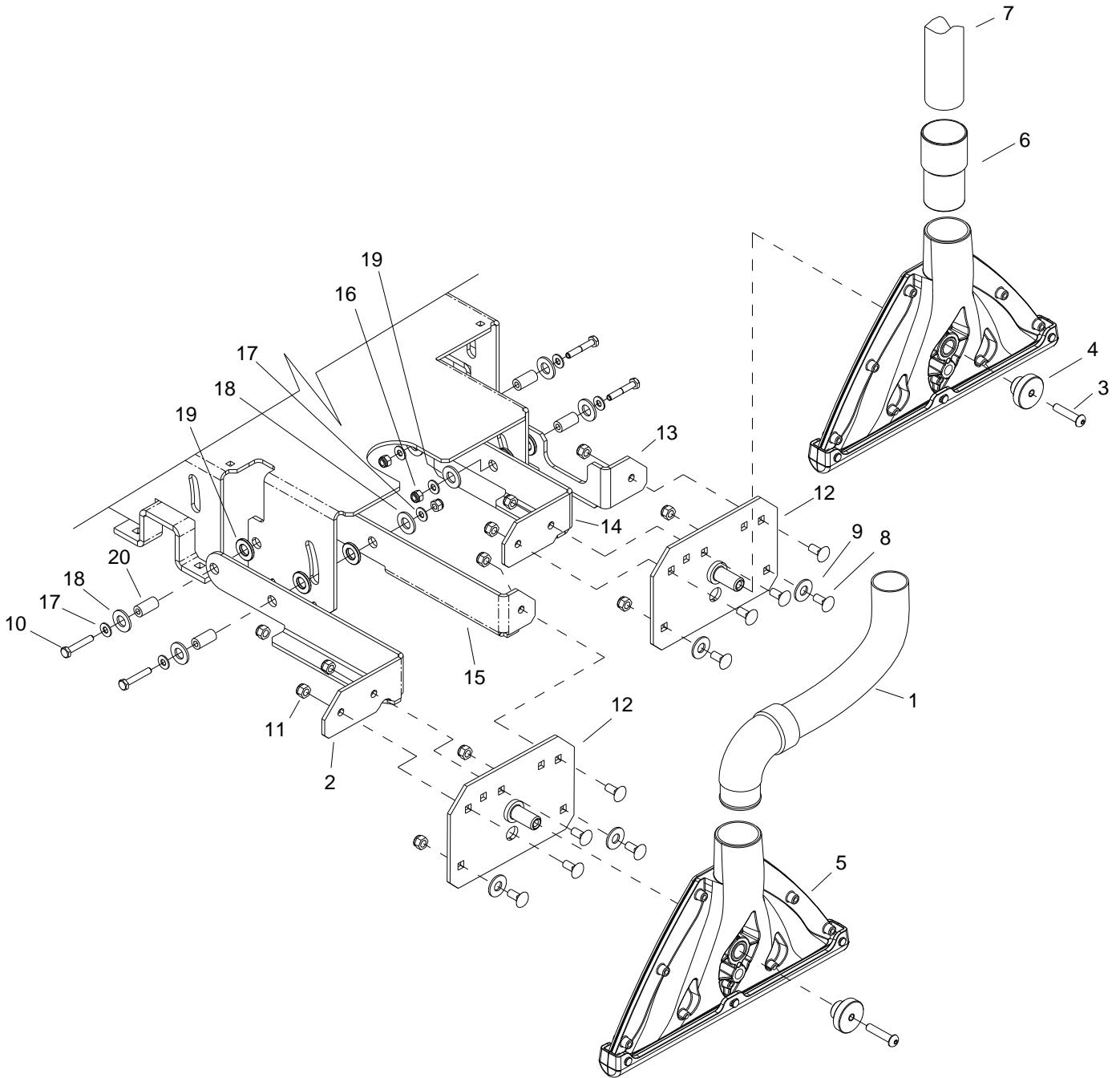
## WHEEL AND DRIVE ASSEMBLY

REF	PART NO.	PRV NO.	QTY	DESCRIPTION	SERIAL NO. FROM	NOTES:
1	86315130	-	1	TRANSAXLE, 36VDC	*(7)	
-	86288820	140592	-	BRUSH SET, TRANSAXLE 78434 CCL		
2	86072100	141055	1	BRKT, CABLE GUARD		
3	86270440	48008	2	KEY, 3/16 X 1.75		
4	86270830	57023	4	NUT, 5/16-18 HEX NYLOCK SS		
5	86079600	620138	2	PLATE, TRANSAXLE CONNECTION		
6	86008710	80623	2	RING, 3/4" EXT SNAP H-D		
7	86277930	70119	8	SET SCR, 1/4-20 X 3/8 KCP DL		
8	86273750	70011	2	SCR, 1/4-20 X 5/8 HHCS SS NP		
9	86277130	70795	3	SCR, 5/16-18 X 1.00 CARRIAGE SS		
10	86279640	87213	4	WASHER, .781D X 1.63 OD X .25T		
11	86010780	87162	2	WASHER, 1/4 SPLIT LOCK PLTD		
12	86278940	87008	2	WASHER, 1/4 ID X 1-1/4 OD PLTD		
13	86226040	89278	2	WHEEL, 9X1.6, .75IN BORE		
14	86010670	87029	4	WASHER, 5/16 FLAT SS		
15	86177040	03-000149	1	CLAMP, CABLE 1-1/4 ID 5/16 BLT		
16	86277030	70780	1	SCR, 5/16-18 X 1.25 CARRIAGE SS		
17	86316850	-	2	COLLAR SET, .50W X .754 ID		
18	86277930	-	4	SET SCR, 1/4-20 X 3/8 KCP D		

\*SEE SERIAL NUMBER PAGE.

\*\*CALL MANUFACTURER FOR SERIAL NUMBER.

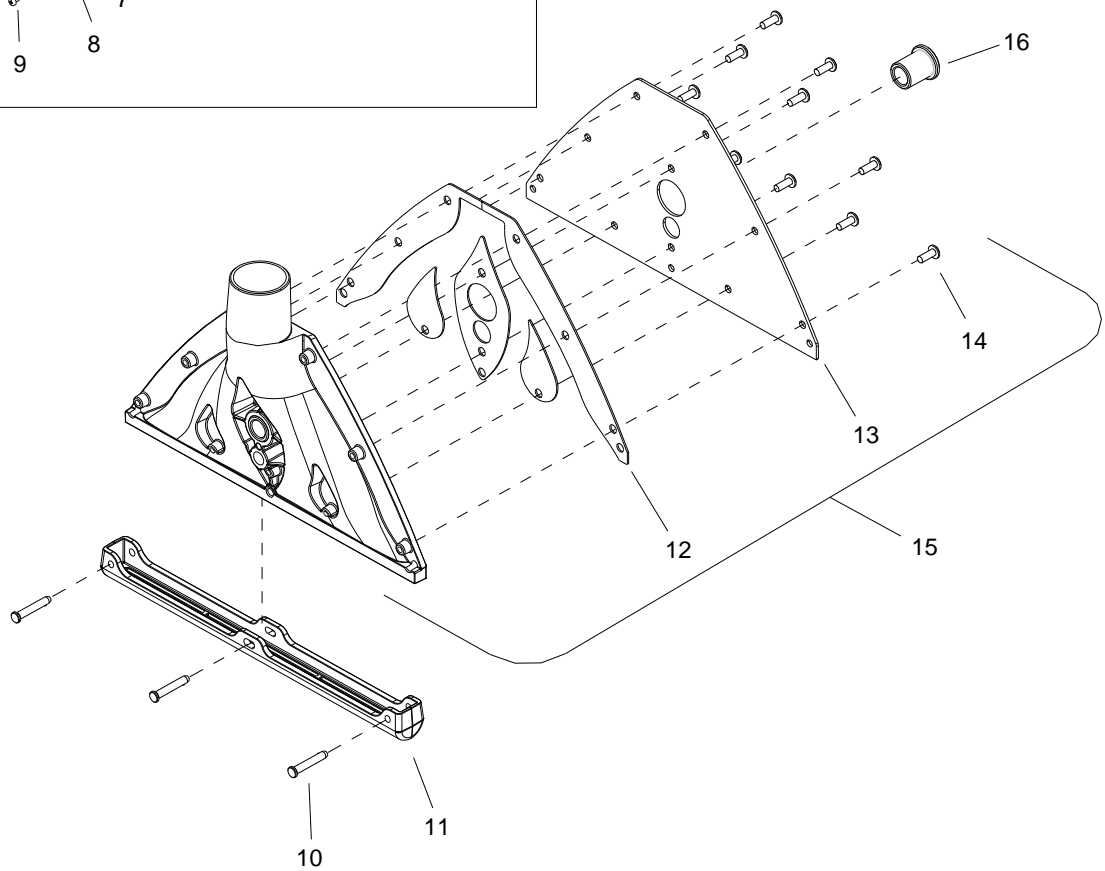
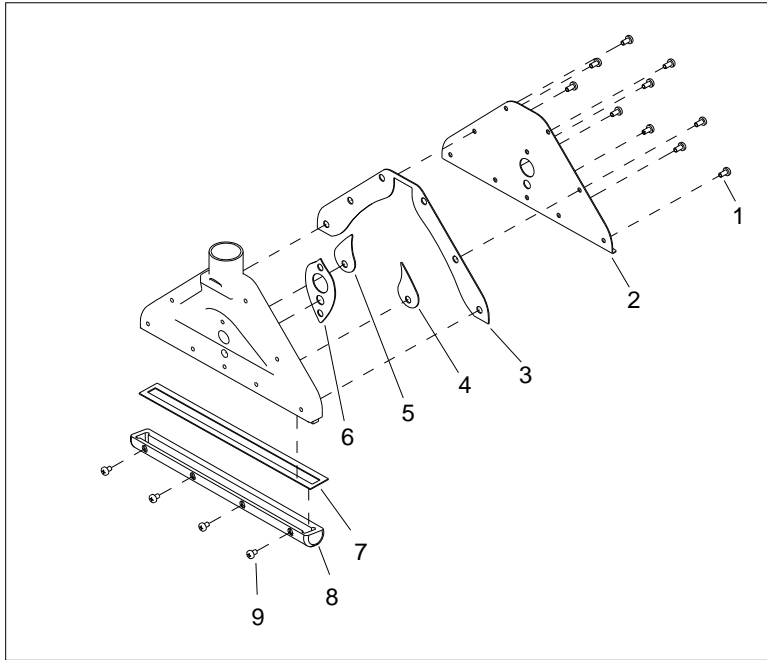
# VACUUM SHOE



**VACUUM SHOE**

REF	PART NO.	PRV NO.	QTY	DESCRIPTION	SERIAL NO. FROM	NOTES:
1	86219150	39739	1	HOSE ASM, 1.5 BLK VAC X 30"		
2	86071990	141027	1	BRKT, VAC LIFT, RGT, OUTER		
3	86276650	70707	2	SCR, 5/16-18 X 1.5 BSHCS SS		
4	86219690	48080	2	KNOB, 1.5 OD X 5/16-18		
5	86296540	-	2	VAC SHOE, 13 IN W/WIPER		
6	86003010	27759	1	CUFF, HOSE 1.5 BLK A 2161		
7	86001480	39315	1	HOSE, 1.5 BLK VAC X 28"		
8	86276070	70593	10	SCR, 5/16-18 X 3/4 CARRIAGE SS		
9	86010770	87143	4	WSHR, 7/16IDX1DX.08 FLT SS		
10	86273740	70010	4	SCR, 1/4-20 X 1.5 HHCS		
11	86270830	57023	10	NUT, 5/16-18 HEX NYLOCK SS		
12	86093610	620134	2	PLATE, VACUUM MTG		
13	86072020	141030	1	BRKT, VAC LIFT, LFT, OUTER		
14	86072010	141029	1	BRKT, VAC LIFT, LFT, INNER		
15	86072000	141028	1	BRKT, VAC LIFT, RGT, INNER		
16	86271870	57290	4	NUT, 1/4-20 HEX NYLOCK THIN SS		
17	86010630	87013	8	WSHR, 1/4 ID X 5/8 OD SS		
18	86259420	87232	8	WSHR, THRUST .51IDX1 ODBRO		
19	86259400	87205	8	WASHER, THRUST.51IDX1 ODBRO		
20	86228920	09140	4	BEARING, .252 ID X .503 OD X 1.0		

# VACUUM SHOE



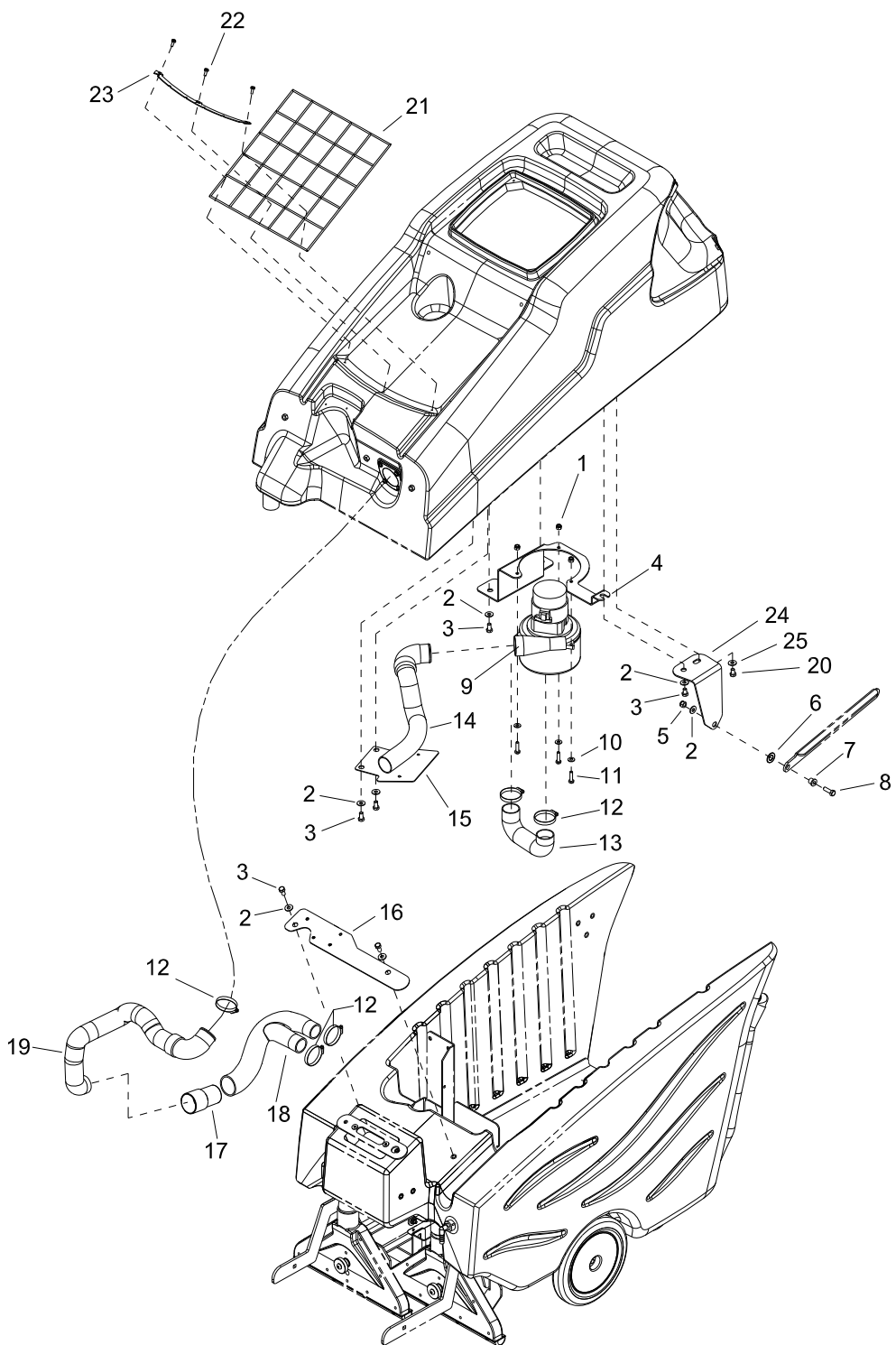
## VACUUM SHOE

REF	PART NO.	PRV NO.	QTY	DESCRIPTION	SERIAL NO. FROM	NOTES:
1	86006580	70085	10	SCR, 1/4-20 X 1/2 PPHMS SS		
2	86075450	27246	1	COVER, VAC SHOE		
3	86237910	35279	1	GASKET, VAC SHOE OUTER		
4	86237920	35280	1	GASKET, 5.0 OD X 2.0 ID X .50T		
5	86237930	35281	1	GASKET, VAC SHOE RIGHT		
6	86237940	35282	1	GASKET, VAC SHOE CENTER		
7	86237950	35283	1	GASKET, VAC SHOE WIPER		
8	86259980	85012	1	WIPER, VAC SHOE		
9	86275950	70568	4	SCR, 10-24 X 3/8 TORX SS		
10	86293190	-	3	PIN, CLEVIS	*(5,6)	
11	86296520	-	1	WIPER, W/GASKET	*(5,6)	
12	86310750	-	1	ASSEMBLY, GASKETS, VAC SHOE	*(5,6)	
13	86296410	-	1	PLATE, VACSHOE	*(5,6)	
14	86302700	-	10	SCR, M6 X 16 PH, SS	*(5,6)	
15	86296550	-	1	VACSHOE, 13 IN	*(5,6)	
16	86296350	-	1	BUSHING, BRONZE, PM, 15.93 ID		

\* SEE SERIAL NUMBER PAGE

**NOTE:** Two vacuum shoe assemblies per machine.

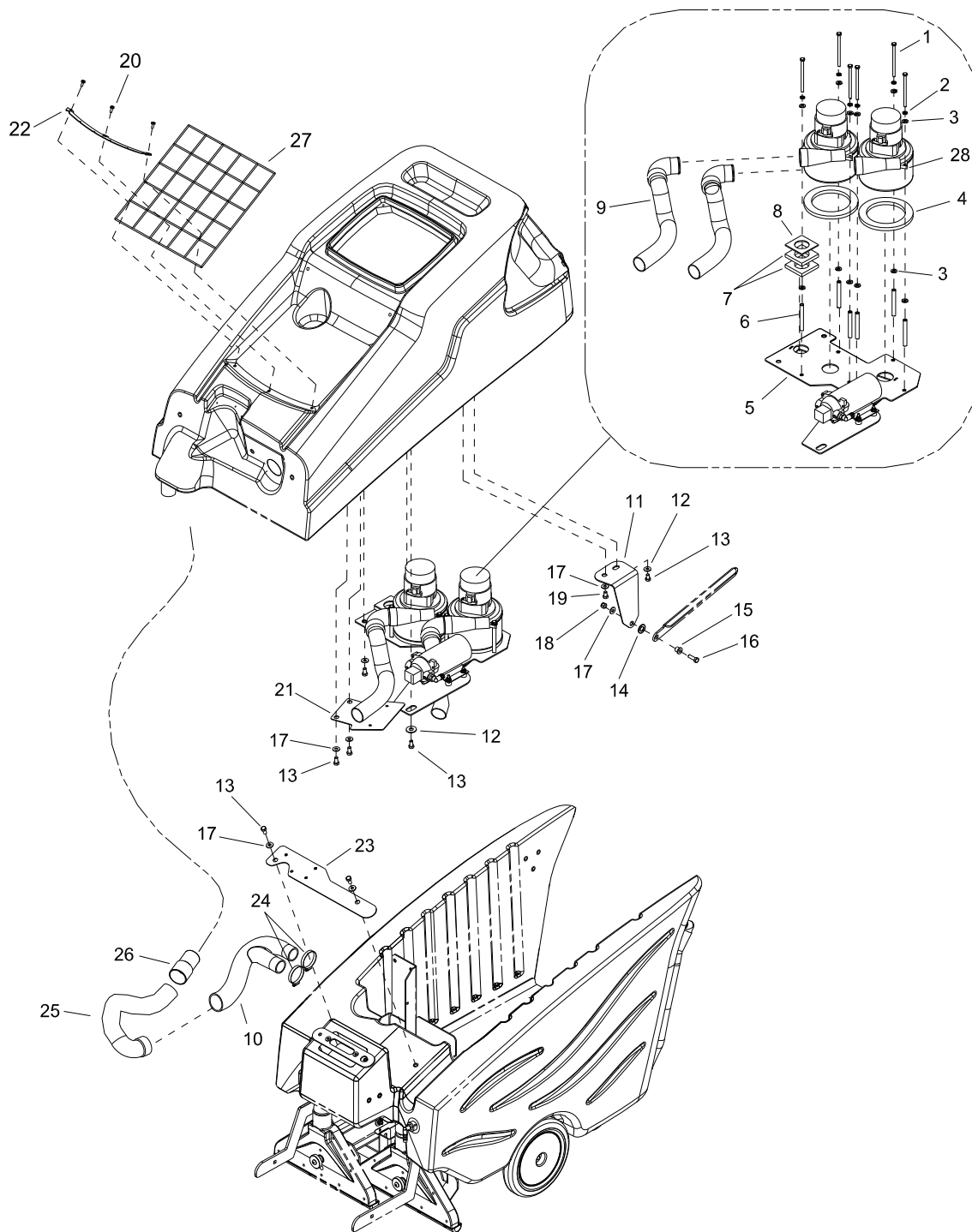
# VACUUM-BASIC



## VACUUM - BASIC

REF	PART NO.	PRV NO.	QTY	DESCRIPTION	SERIAL NO. FROM	NOTES:
1	86005810	57245	3	NUT, 1/4-20 HEX NYLOCK SS		
2	86010670	87029	8	WASHER, 5/16 FLAT SS		
3	86276490	70670	7	SCR, 5/16-18 X 5/8 HHCS SS		
4	86014640	-	1	BRKT, VAC MOTOR		
-	86135310	140686	-	BRUSH SET 24/36V VAC		
5	86270830	57023	1	NUT, 5/16-18 HEX NYLOCK SS		
6	86259410	87206	1	WASHER, THRUST .51 ID X 1 OD .063		
7	86228840	09124	1	BEARING, FLANGED .314 ID X .502 OD		
8	86006560	70083	1	SCR, 5/16-18 X 1 HHCS SS		
9	86005450	53799	1	VAC MOTOR ASM, 36VDC 3 STAGE		
-	86135310	140686	-	BRUSH SET, 24/36V VAC		
10	86010630	87013	3	WASHER, 1/4 ID X 5/8 OD SS		
11	86273810	70018	3	SCR, 1/4-20 X 1 HHCS SS		
12	86002400	20064	5	CLAMP, 2.0" WORM GEAR X .312W		
13	86012870	-	1	HOSE, 1.5 BLK VAC X 11"		
14	86004420	39609	1	HOSE ASM, 1.5 BLK VAC X 14		
15	86071890	141014	1	BRKT, VACUUM EXHAUST		
16	86071880	141013	1	BRKT, VACUUM JUNCTION		
17	86003010	27759	1	CUFF, HOSE 1.5" BLK A 2161		
18	86075330	22111	1	COUPLER, VACUUM		
19	86004370	39547	1	HOSE ASM, 1.5 BLK VAC X 21		
20	86277040	70781	1	SCR, 5/16-18 X 1/2 HHCS SS NP		
21	86292630	-	1	NET, CARGO		
22	86006950	70532	3	SCR, 10-32 X 1/2 PPHMS BLK NP		
23	86292640	-	1	BRKT, CARGO NET		
24	86011640	-	1	BRKT, PROP ROD PIVOT		
25	86279630	87212	1	WASHER, .344IDX1.13ODX.09T PLT		

# VACUUM - DELUXE

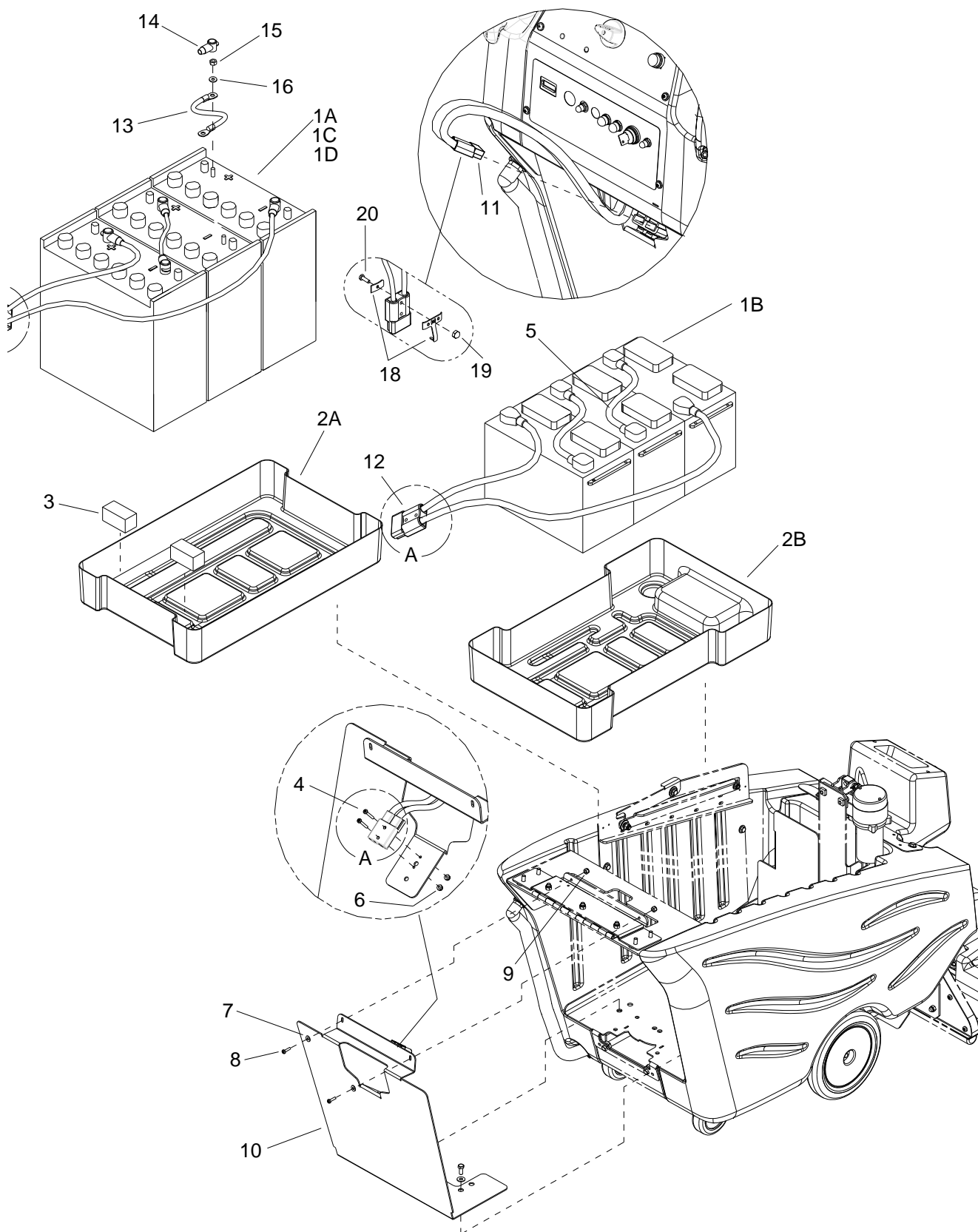




**VACUUM-DELUXE**

REF	PART NO.	PRV NO.	QTY	DESCRIPTION	SERIAL NO. FROM	NOTES:
1	86276720	70718	6	SCR, 1/4-20 X 4.25 HHCS GR5 PLTD		
2	86010780	87162	6	WASHER, 1/4 SPLIT LOCK PLTD		
3	86010630	87013	12	WASHER, 1/4 ID X 5/8 OD SS		
4	86003760	35166	2	GASKET, VAC MTR		
5	86011670	-	1	BRKT, VACUUM, PUMP		
6	86011760	-	6	SPACER, .38OD X .058W X 3.2L		
7	86011830	-	2	GASKET, VAC PLATE		
8	86014470	-	1	PLATE, VACUUM CONTAINMENT		
9	86004420	39609	2	HOSE ASM, 1.5 BLK VAC X 14		
10	86075330	22111	1	COUPLER, VACUUM		
11	86011640	-	1	BRKT, PROP ROD PIVOT		
12	86279630	87212	1	WASHER, .344ID X 1.13OD X .09T PLT		
13	86276490	70670	7	SCR, 5/16-18 X 5/8 HHCS SS		
14	86259410	87206	1	WASHER, #6 LOCK EXT STAR SS		
15	86228840	09124	1	BEARING, FLANGED .314ID X .502OD		
16	86006560	70083	1	SCR, 5/16-18 X 1 HHCS SS NP		
17	86010670	87029	8	WASHER, 5/16 FLAT SS		
18	86270830	57023	1	NUT, 5/16-18 HEX NYLOCK SS		
19	86277040	70781	1	SCR, 5/16-18 X 1/2 HHCS SS NP		
20	86006950	70532	3	SCR, 10-32 X 1/2 PPHMS BLK NP		
21	86071890	141014	1	BRKT, VACUUM EXHAUST		
22	86292640	-	1	BRKT, CARGO NET		
23	86306460	-	1	BRKT, VACUUM JUNCTION C		
24	86002400	20064	2	CLAMP, 2.0" WORM GEAR X .312W		
25	86297600	-	1	HOSE ASM, 1.50 BLK VAC X 6.5		
26	86003010	27759	1	CUFF, HOSE 1.5" BLK A 2161		
27	86292630	-	1	NET, CARGO		
28	86258480	53177	2	VAC MOTOR, 36V 5.7 3ST TD		
-	86135310	140686	-	BRUSH SET, 24/36V VDC		

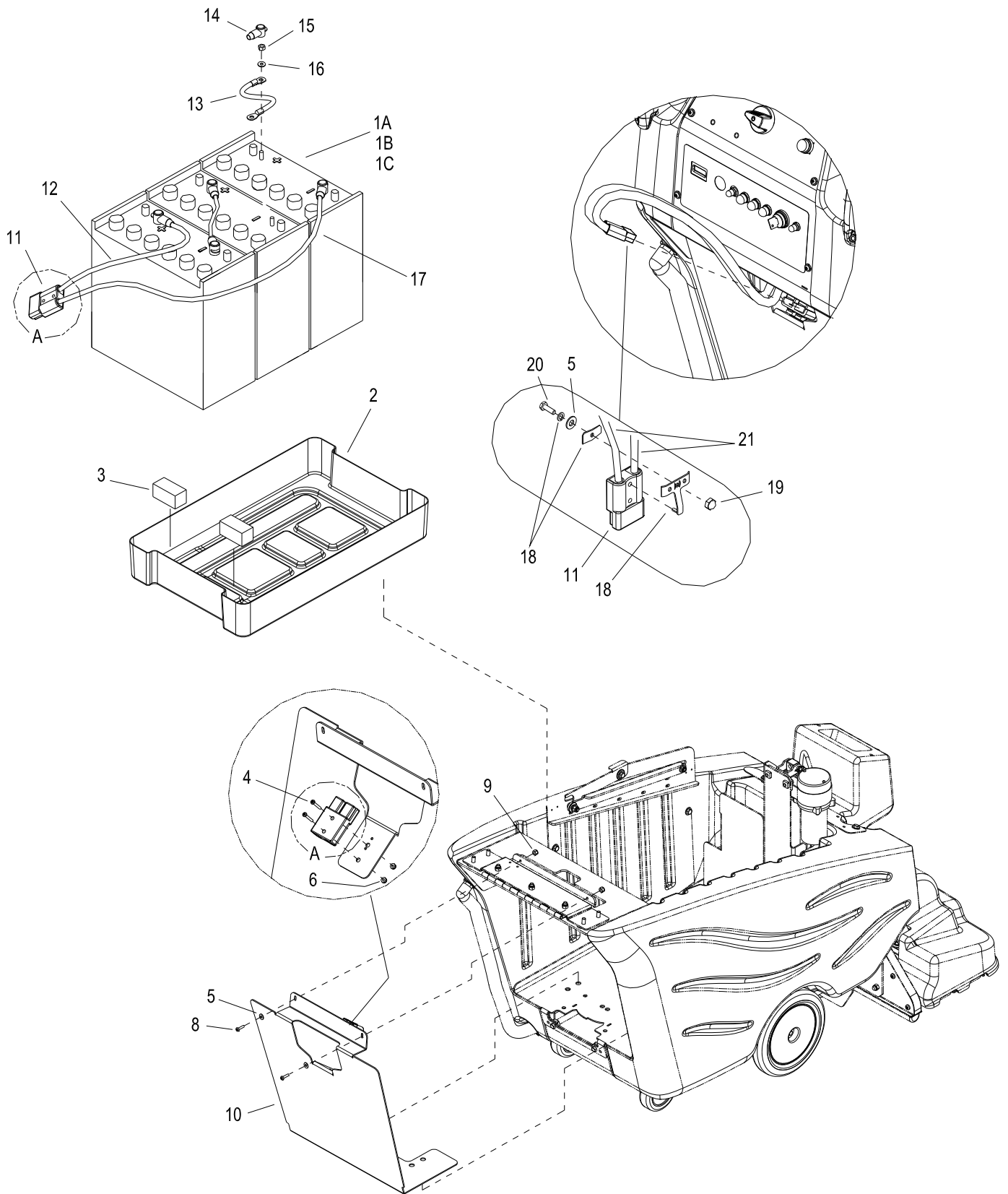
# WIRING-BATTERY-BASIC



## WIRING- BATTERY-BASIC

REF	PART NO.	PRV NO.	QTY	DESCRIPTION	SERIAL NO. FROM	NOTES:
1A	86228410	10023	3	BATTERY, 12V, 205AH		
1B	86228400	10021	3	BATTERY, 12V, 130AH		
1C	86283410	10030	3	BATTERY, 12V, 225AH		
1D	86228430	10032	3	BATTERY, 12V AGM 198AH		
2A	86014360	-	1	TRAY BATTERY LINER		
2B	86014380	-	1	TRAY BATTERY LINER		
3	86229740	140417	2	BLOCK, 3.0 X 3.5 X 4 FOAM		
4	86274710	70261	2	SCR, 6.32 X 1.0 PPHMS		
5	86002510	23125	2	CABLE ASM, BAT. JUMPER X 15"		
6	86270920	57049	2	NUT, 6-32 HEX NYLOCK SS		
7	86010650	87018	2	WASHER, #10 X 9/16 OD		
8	86273980	70066	2	SCR, 10-32 X 3/4 PPHMS		
9	86270990	57090	2	NUT, 10-32 HEX NYLOCK SS		
10	86013740	-	1	PLATE, BACK, BATTERY		
11	86014840	-	2	WIRE ASM, 27.5 6G RNGXC.TERM		
12	86013060	-	1	BATT. CBL, ASM 2X24, 50A 6GA		
13	86260200	80872	2	WIRE 4X1425BK 3/8RINGX3/8RING		
14	86008920	80889	6	BOOT, RUBBER TERM. ISOLATOR		
15	86271910	57295	6	NUT, 5/16-18 FLEXLOCK		
16	86010670	87029	6	WASHER, 5/16 FLAT SS		
17	OPEN	-	-	-		
18	86256260	73595	1	STRAIN RELIEF, BATTERY CABLE		
19	86014810	-	1	NUT, 6-32 ACORN SS		
20	86273950	70056	1	SCR, 6-32 X 1/2 PPHMS		
-	86012860	-	1	CHARGER 36V 21A 115V C50		NOT SHOWN FOR WET CELL BATTERIES
-	86293010	-	1	CHARGER, 36V 21A AGM C50		NOT SHOWN FOR AGM BATTERIES
-	86260370	880153	1	WIRE ASM, CHARGER ADAPTER		CONNECTOR SB50 TO SB175 ADAPTER

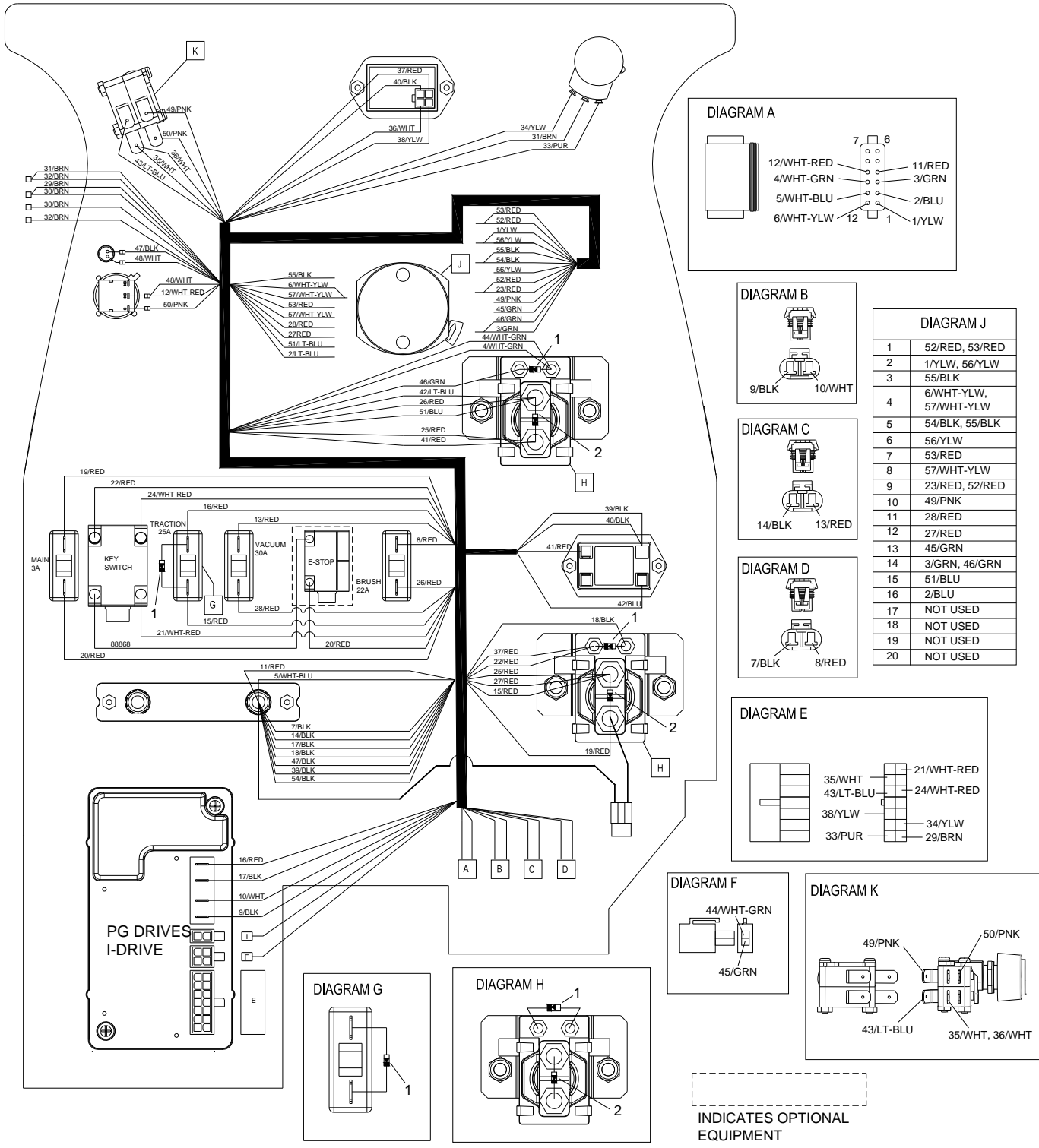
# WIRING-BATTERY-DELUXE



## WIRING- BATTERY-DELUXE

REF	PART NO.	PRV NO.	QTY	DESCRIPTION	SERIAL NO. FROM	NOTES:
1A	86228410	10023	3	BATTERY, 12V, 195AH		
1B	86283410	10030	3	BATTERY, 12V, 215AH		
1C	86228430	10032	3	BATTERY, 12V AGM 198AH		
2	86088800	78945	1	TRAY, BATTERY LINER		
3	86229740	140417	2	BLOCK, 3.0 X 3.5 X 4.0		
4	86275870	70556	2	SCR, 1/4-20 X 1.5 PPHMS SS		
5	86010650	87018	3	WASHER, #10 X 9/16 OD		
6	86005810	57245	2	NUT, 1/4-20 HEX NYLOCK SS		
7	OPEN	-	-	-		
8	86273980	70066	2	SCR, 10-32 X 3/4 PPHMS		
9	86270990	57090	2	NUT, 10-32 HEX NYLOCK SS		
10	86013740	-	1	PLATE, BACK, BATTERY		
11	86008760	80682	2	CONN, 175 DCA GRY W/O TERMS		
12	86260610	880836	1	WIRE, 4X25RD CTERM X 3/8RING		
13	86260200	80872	2	WIRE 4X1425BK 3/8RINGX3/8RING		
14	86008920	80889	6	BOOT, RUBBER TERM. ISOLATOR		
15	86271910	57295	6	NUT, 5/16-18 FLEXLOCK		
16	86010670	87029	6	WASHER, 5/16 FLAT SS		
17	86260230	80876	1	WIRE, 4X30 BLK CTERM X 3/8RING		
18	86233360	28038	1	CLAMP, CABLE KIT SY 945		
19	86270890	57034	1	NUT, ACORN 10-32		
20	86273980	70066	1	SCR, 10-32 X 3/4 PPHMS		
21	86260320	82688	2	WIRE, 4X40BK CTERM X 5/16 RING		
-	86284090	02456	1	CHARGER 36V 20A 115V C175		NOT SHOWN FOR WET CELL BATTERIES
-	86000150	02264	1	CHARGER, 36V 21A AGM C175		NOT SHOWN FOR AGM BATTERIES

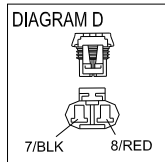
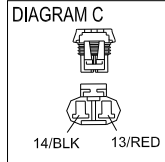
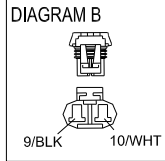
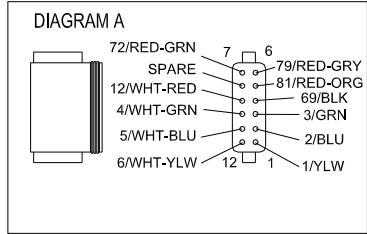
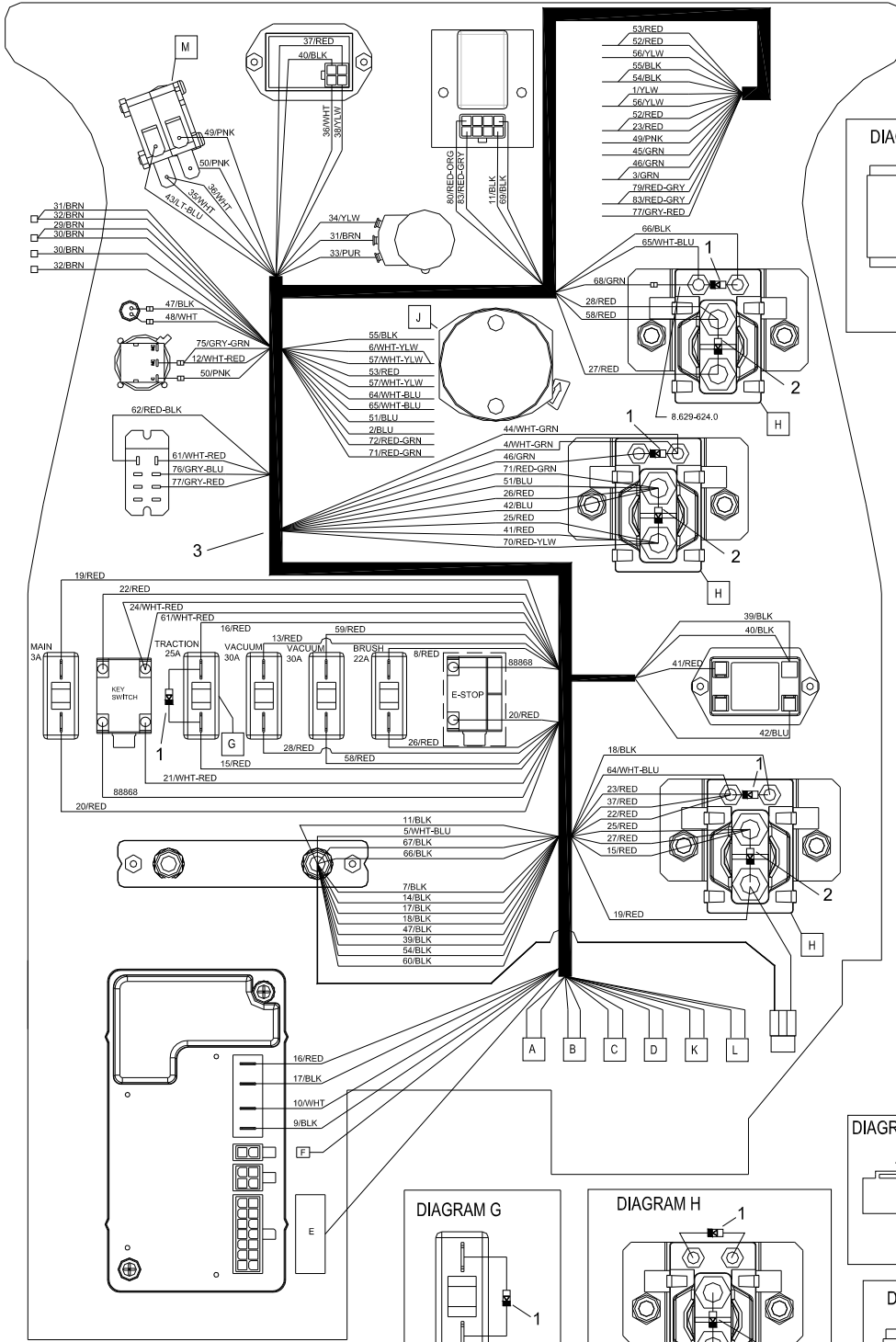
# WIRING-CONTROL PANEL-BASIC



## WIRING-CONTROL PANEL-BASIC

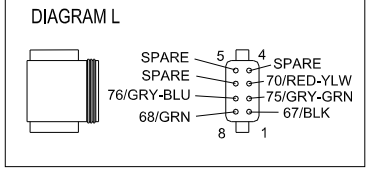
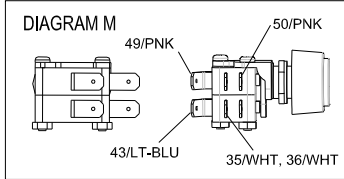
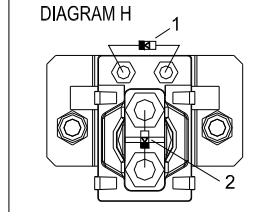
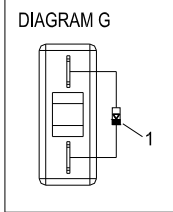
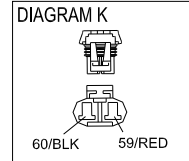
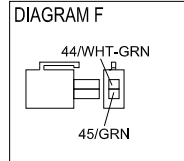
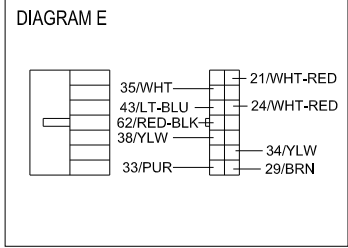
REF	PART NO.	PRV NO.	QTY	DESCRIPTION	SERIAL NO. FROM	NOTES:
1	86261210	29204	3	DIODE ASM, 76008 X 76008		
2	86261250	29273	2	DIODE ASM, FAST RECOVERY		
3	86013210	-	1	HARNESS BASIC EXTRACTOR PANEL		

# WIRING - CONTROL PANEL - DELUXE



**DIAGRAM J**

1	52/RED, 53/RED
2	56/YLW
3	55/BLK
4	6/WHT-YLW, 57/WHT-YLW
5	54/BLK, 55/BLK
6	1/YLW, 56/YLW
7	53/RED
8	57/WHT-YLW
9	23/RED, 52/RED
10	49/PNK
11	64/WHT-BLU
12	65/WHT-BLU
13	45/GRN
14	3/GRN, 46/GRN
15	51/BLU
16	2/BLU
17	79/RED-GRY, 83/RED-GRY (P/N 8.629-610.0)
18	77/GRY-RED
19	72/RED-GRN
20	71/RED-GRN



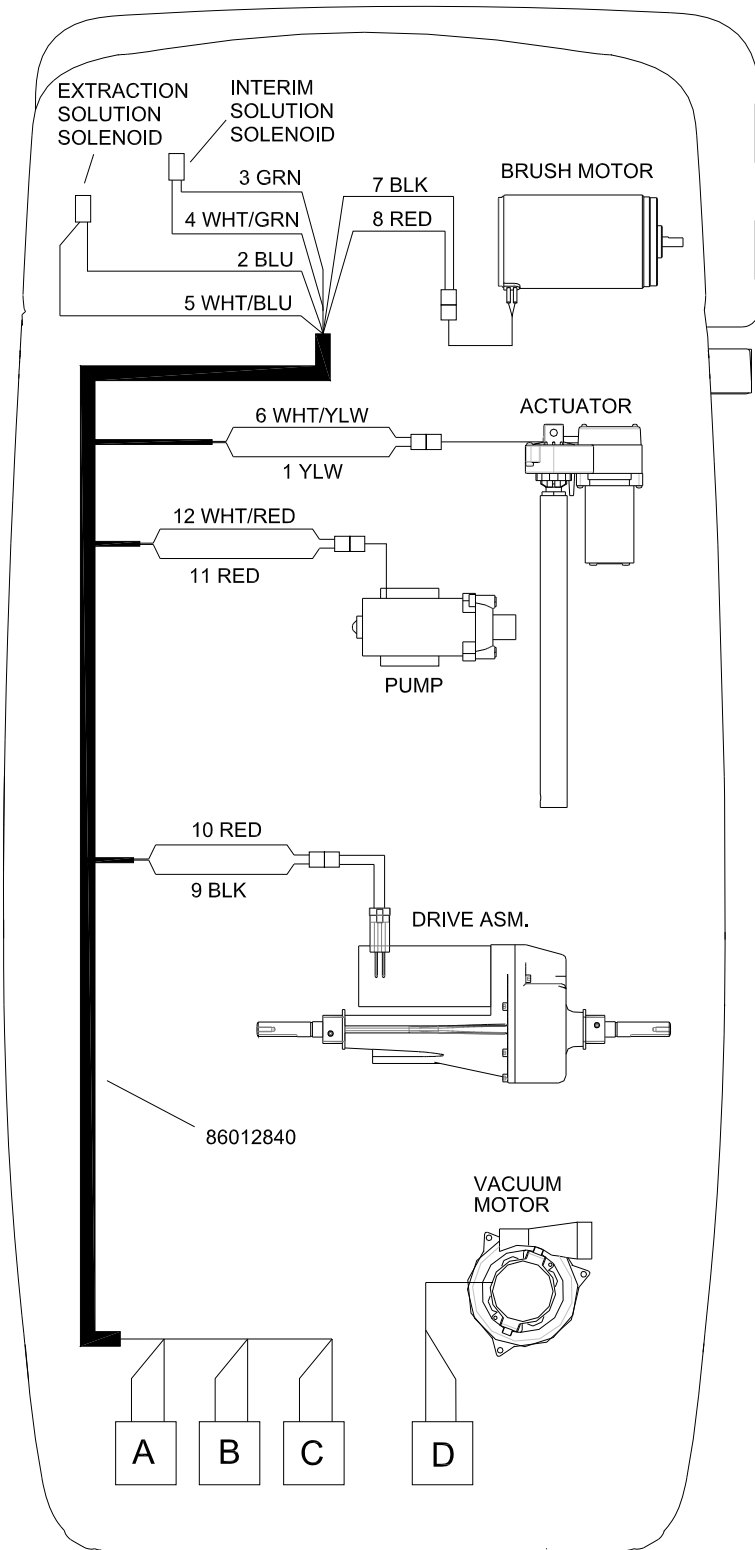
INDICATES OPTIONAL EQUIPMENT



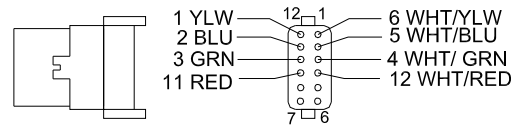
## **WIRING-CONTROL PANEL- DELUXE**

REF	PART NO.	PRV NO.	QTY	DESCRIPTION	SERIAL NO. FROM	NOTES:
1	86261210	29204	4	DIODE ASM, 76008 X 76008		
2	86261250	29273	3	DIODE ASM, FAST RECOVERY		
3	86295170	-	1	HARNESS, DELUXE EXTRACT PANEL		

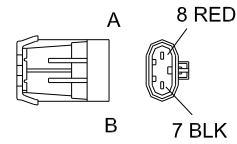
# WIRING – MAIN HARNESS-BASIC



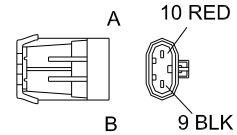
**DIAGRAM A**



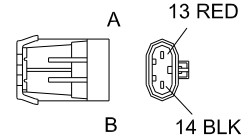
**DIAGRAM B**



**DIAGRAM C**



**DIAGRAM D**



# WIRING MAIN HARNESS-DELUXE

86295000

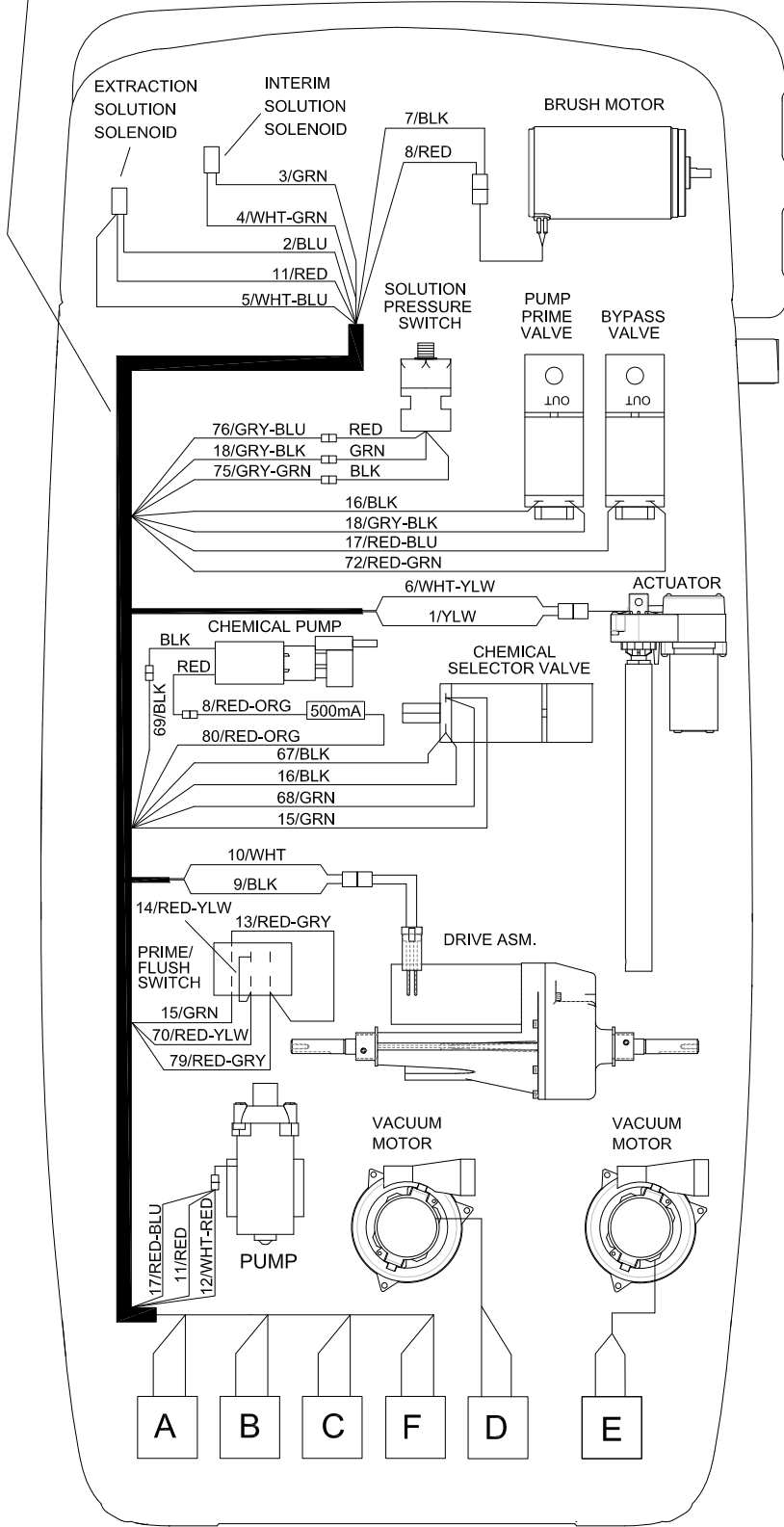


DIAGRAM A

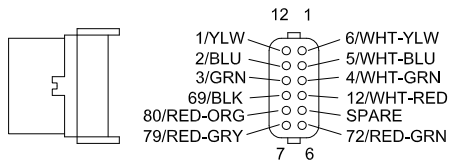


DIAGRAM B

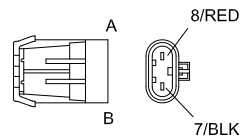


DIAGRAM C

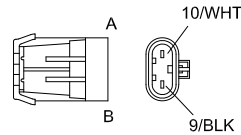


DIAGRAM D

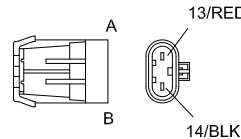


DIAGRAM E

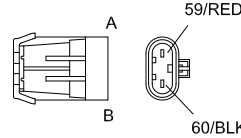
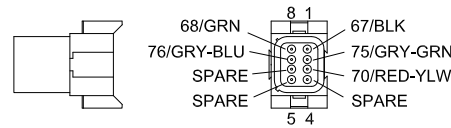
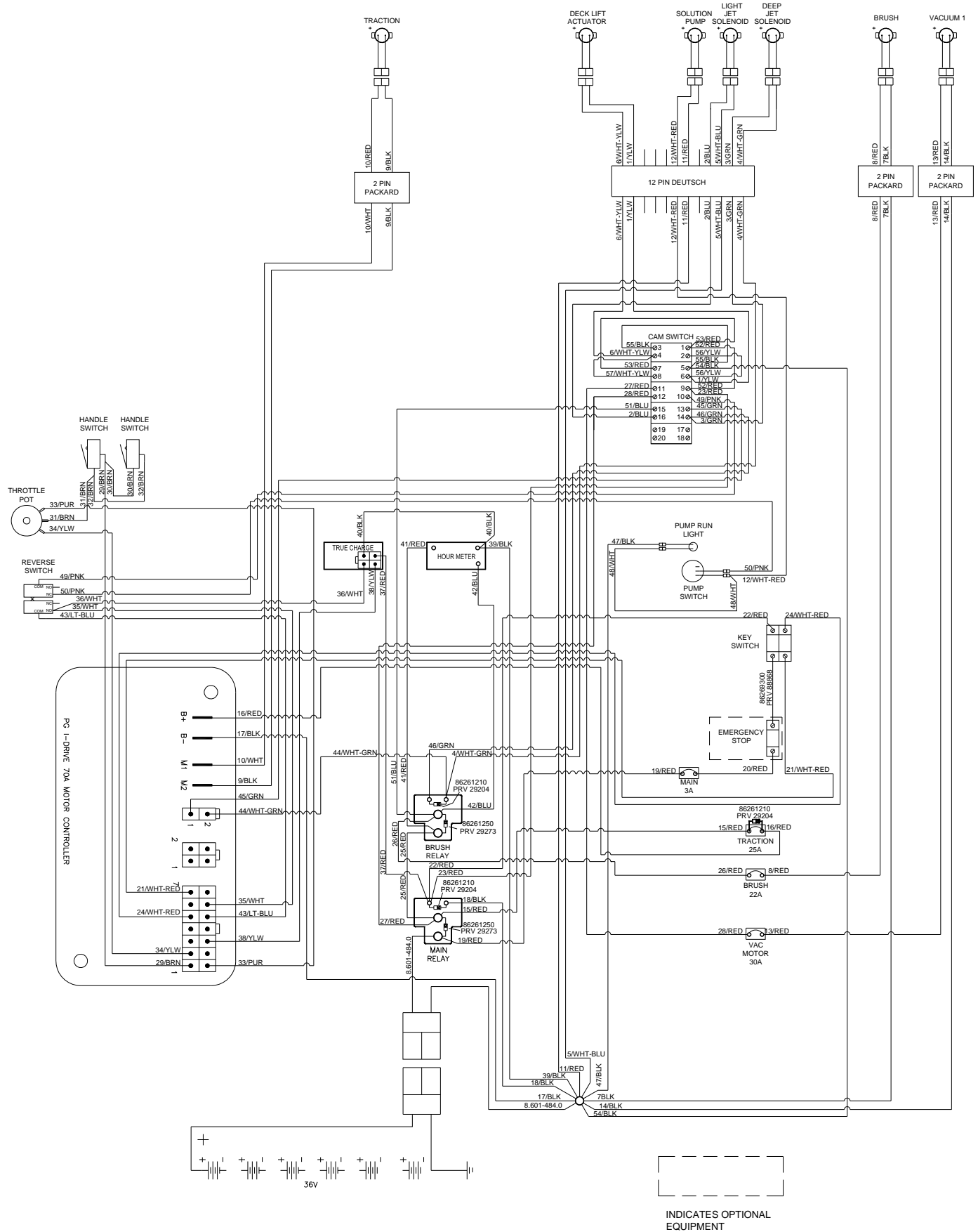


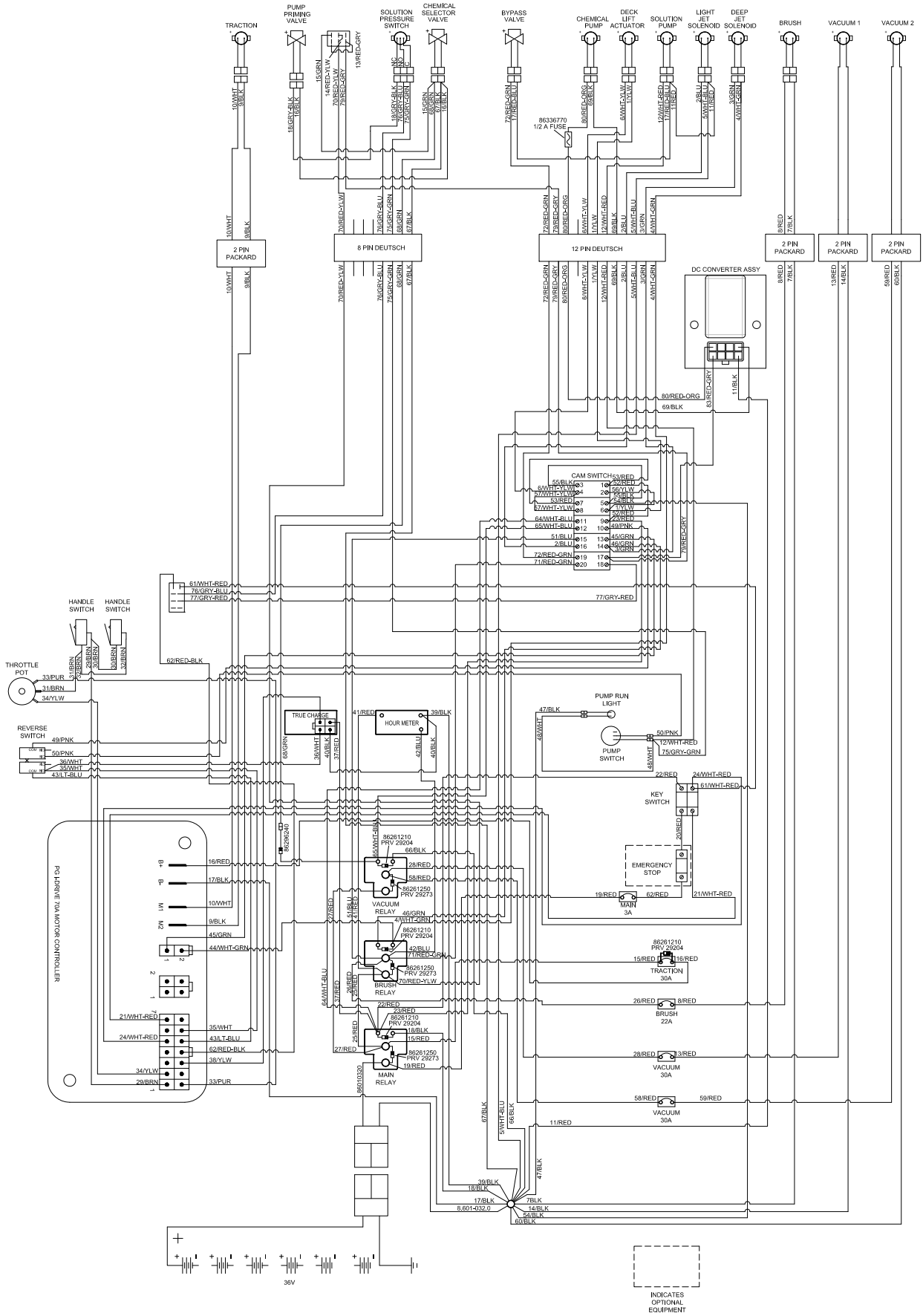
DIAGRAM F



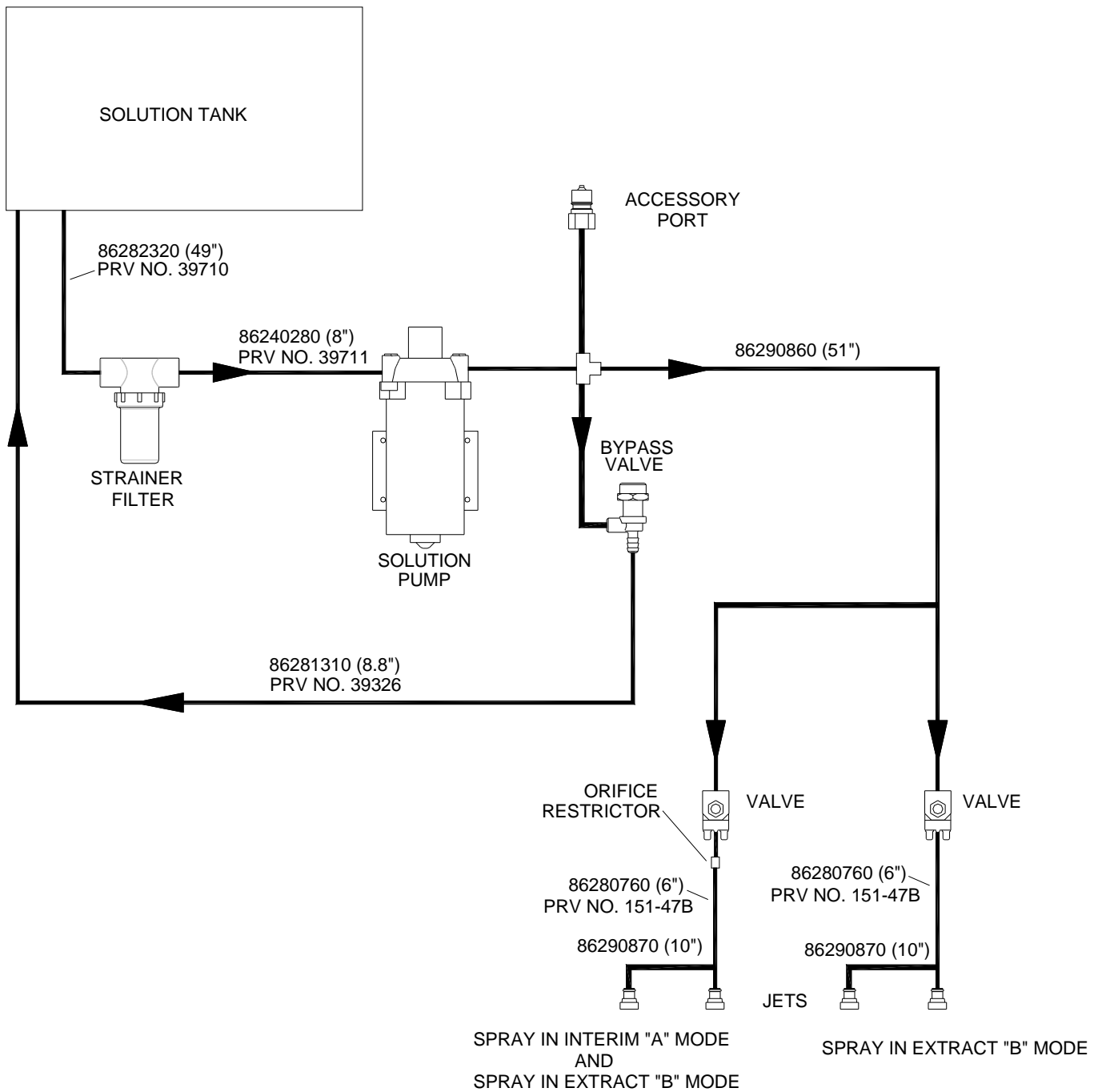
# WIRING DIAGRAM – BASIC



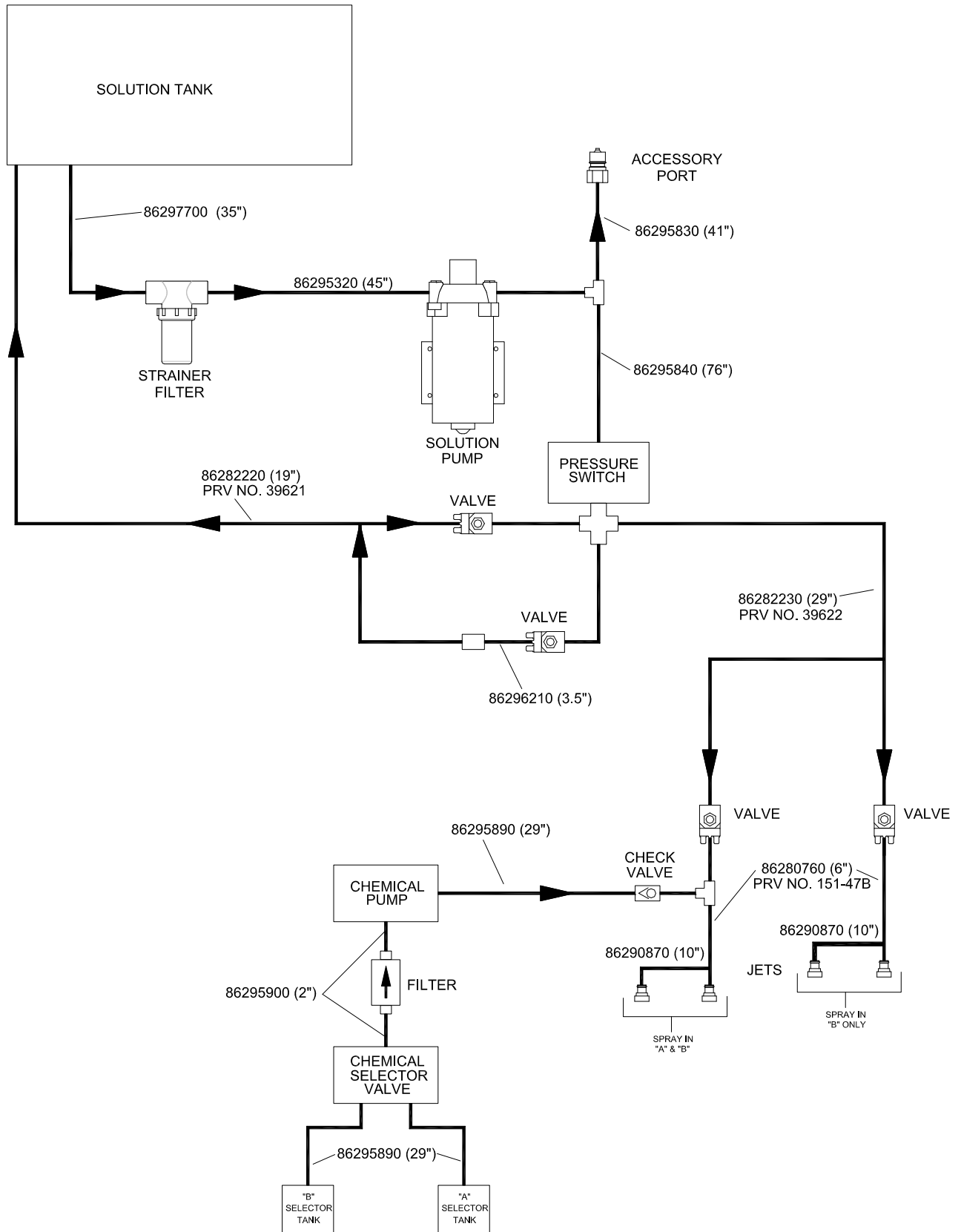
# WIRING DIAGRAM - DELUXE



# HOSE DIAGRAM-BASIC



# HOSE DIAGRAM - DELUXE



## SUGGESTED SPARE PARTS

PART NO.	PRV NO.	DESCRIPTION	SERIAL NO. FROM	NOTES:
86002000	14717	BREAKER, 3 AMP		
86001920	14607	BREAKER, 25A VDC CIRCUIT		
86001910	14606	BREAKER, 30A 50VDC CIRCUIT		
86230680	12531	BRUSH, EXTRACTOR 20		
86251360	67166	RELAY, 36VDC 100A		
86007190	72161	SWITCH KEY DPST		
86014690	-	SWITCH, ROTARY CAM, 4 POS		
86199840	090-12A	FLOAT SCREEN CAGE ASSY		
86013030	-	VALVE, 36VDC SOLENOID, 1/8 FPT		
86012550	-	JET, PROMAX 11001		
86013200	-	JET, MINI PROMAX 11004		
86004570	44067	JET BODY, MINI PROMAX BODY		
86215250	11049	BELT, 2S 5MM HTD, 15W, 128T		
86224630	730380	SPRING, BRUSH CLIP		
86217260	22106	COUPLER, SPIDER		
86230080	141044	BREAKER, 22A 250VAC, 50VDC		
86257180	72207	SWITCH, MOMENTARY, DPDT, WHITE		
86257150	72197	SWITCH, SPDT P-BUTTON		
86006310	66335	POTENTIOMETER, 50K OHMS		
86004010	35274	GASKET, DOME EDGE		
86004440	39717	CAP, DRAIN HOSE		
86012760	-	STRAINER, 1/2 FPT, 80 MESH		
86005870	59021	O-RING, FILTER SEAL RON-VIK		
86296520	-	WIPER, 13 IN W/GASKET		
86261210	29204	DIODE ASM, 76008 X 76008		
86003410	29215	DIODE ASM, 76075 X 76075		
86296100	-	ASM, DC CONVERTER		DELUXE ONLY
86007180	72160	SWITCH E-STOP		DELUXE ONLY
86251410	67506	RELAY 15 AMP 36V MIN.		DELUXE ONLY
86217270	22110	COUPLER ACC PORT VACUUM		DELUXE ONLY
86295160	-	GASKET ACC PORT COVER		DELUXE ONLY
86295310	-	CAP DISPENSING, 6.5 TUBE		DELUXE ONLY
86295330	-	CAP, DISPENSING, 9.50 TUBE		
86236590	34448	FOOT FILTER		DELUXE ONLY
86295280	-	CAP STORAGE		DELUXE ONLY
86293720	-	VALVE 3-WAY 36VDC		DELUXE ONLY
86295290	-	ELBOW SWIVEL, 6MM QCX1/8 NPT		DELUXE ONLY
86297830	-	SWITCH ASM PRESSURE		DELUXE ONLY
86295300	-	VALVE CHECK, 1/8 MPT		DELUXE ONLY
86011830	-	GASKET VAC PLATE		DELUXE ONLY

## ACCESSORIES

PART NO.	PRV NO.	DESCRIPTION	NOTES:
86292800	-	JET, MINI PROMAX 11003	
86002460	22026	COUPLER, 1.5 VAC HOSE	
86000750	04086	ADAPTER, 1/8 TO 1/4 QUICK DISCONNECT, SOLUTION	



**COMMODORE**  
**DUO**

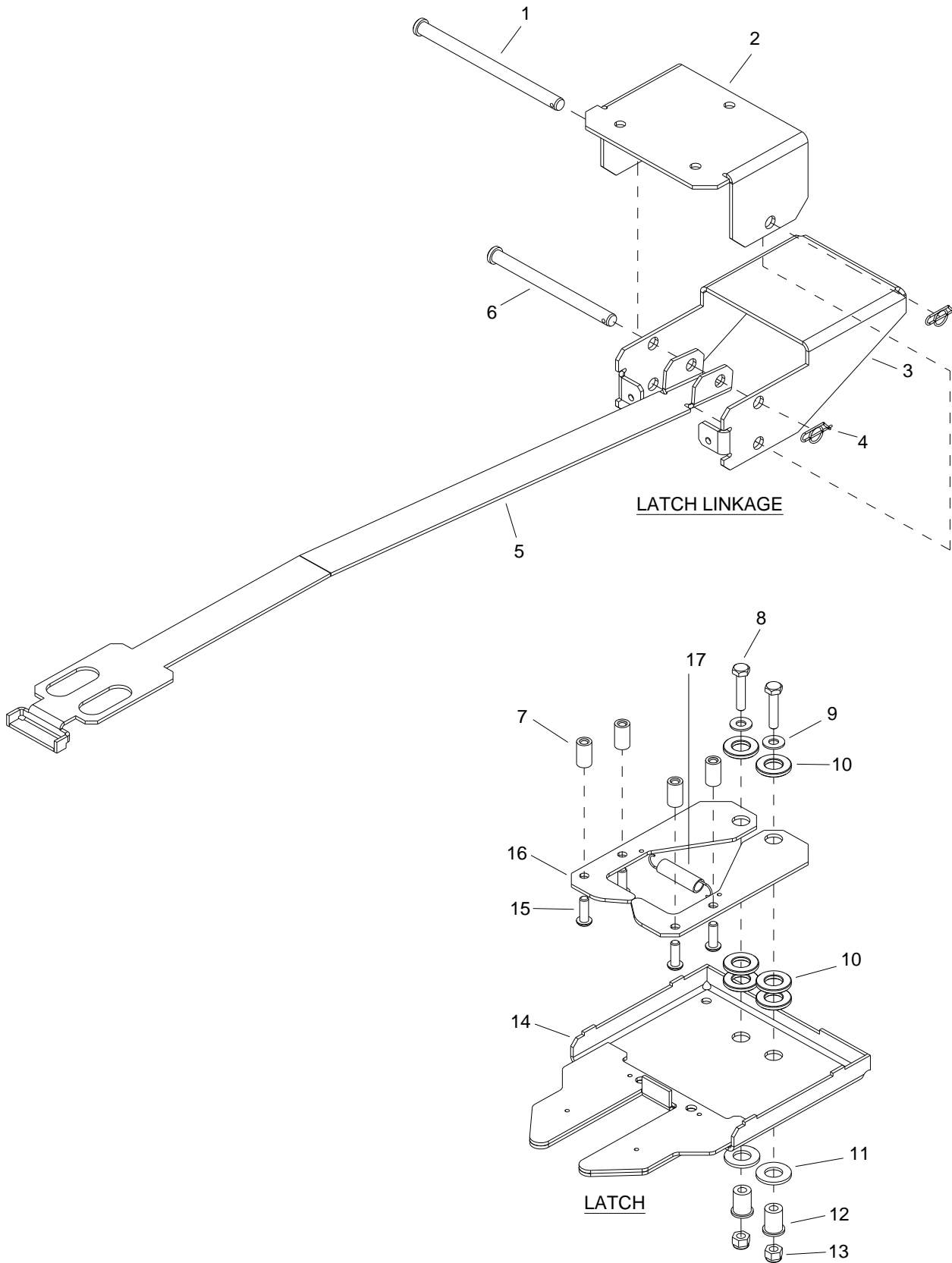
# **OPTIONS**



## BATTERY CART

SREF	PART NO.	PRV NO.	QTY	DESCRIPTION	SERIAL NO.	NOTES:
1	86270830	57023	29	NUT, 5/16-18 HEX NYLOCK SS		
2	86010670	87029	6	WASHER, 5/16 FLAT SS		
3	86228840	09124	5	BEARING, FLANGED .314 ID X .502 OD		
4	86259410	87206	1	WASHER, THRUST .51 ID X 1 OD X .063		
5	86068490	140019	1	BRKT, TRAY CATCH		
6	86259400	87205	13	WASHER, THRUST .51 ID X 1 OD BRP		
7	86277470	70848	1	SCR, 5/16-18 X1.5 CARRIAGE SS		
8	86007020	70673	5	SCR, 5/16-18 X 1.25 HHCS SS NP		
9	86004070	36196	2	GRIP, POLISHER HANDLE		
10	86076600	38318	2	HANDLE, BATTERY CART		
11	86276650	70707	4	SCR, 5/16-18 X 1.5 BSHCS SS		
12	86276950	70772	3	SCR, 1/4-20 X 3/4 CARRIAGE SS		
13	86078890	620020	4	PLATE, CASTER SPACER		
14	86232590	18032	2	CASTER, 4" HARD RUBBER RIGID		
15	86199430	040-03	2	CASTER SWIVEL 4" 250# CPCTY		
16	86005810	57245	7	NUT, 1/4-20 HEX NYLOCK SS		
17	86276070	70593	16	SCR, 5/16-18 X 3/4 CARRIAGE SS		
18	86276330	70634	4	SCR, 1/4-20 X 1.25 CARRIAGE BZ		
19	86292880		1	HOUSING, BATTERY CART		
20	86254290	730338	2	SPACER, 10OD X .343 ID, .5 LG		
21	86006930	70514	2	SCR, 5/16-18 X 1.00 BSHCS SS		
22	86255060	73426	1	SPRING, EXT .43D X 2.50L X .047W		

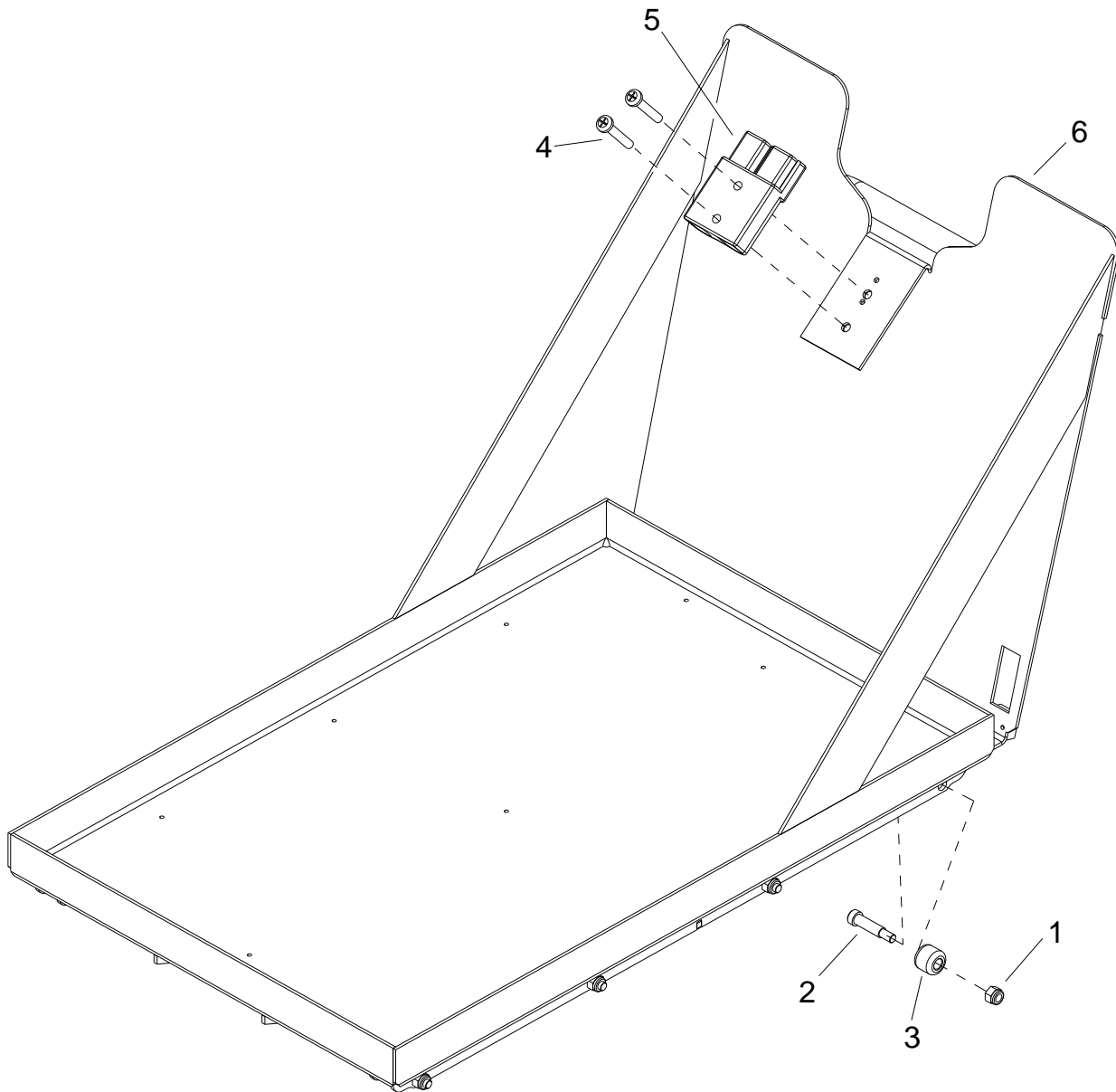
# BATTERY CART – LATCH AND LATCH LINKAGE



## **BATTERY CART- LATCH AND LATCH LINKAGE**

REF	PART NO.	PRV NO.	QTY	DESCRIPTION	SERIAL NO. FROM	NOTES:
1	86008860	80808	1	PIN, CLEVIS 3/8 X 5.5 PLTD		
2	86292870	-	1	BRKT, PEDAL, BATTERY CART		
3	86292860	-	1	PEDAL, BATTERY CART		
4	86008670	80606	2	COTTER, 3/8" RING		
5	86292850	-	1	LINKAGE, LATCH, BATTERY CART		
6	86249060	82061	1	PIN, CLEVIS 3/8 X 4.63 PLTD		
7	86298200	-	4	STANDOFF, .43 OD, 1/4-20 X .75 L		
8	86273820	70019	2	SCR, 1/4-20 X 1.25 HHCS SS		
9	86010630	87013	2	WASHER, 1/4 ID X 5/8 OD SS		
10	86259400	87205	6	WASHER, THRUST .51 ID X 1 OD BRO		
11	86259420	87232	2	WASHER, THRUST .51 ID X 1 OD BRO		
12	86228900	09138	2	BEARING FLANGED, .252 ID X .503 OD		
13	86005810	57245	2	NUT, 1/4-20 HEX NYLOCK SS		
14	86011270	-	1	COVER, LATCH, BATTERY CART		
15	86275460	70481	4	SCR, 1/4-20 X 3/4 BHCS BLK		
16	86292980	-	2	LATCH, BATTERY CART		
17	86255060	73426	1	SPRING, EXT .43D X 2.50L X .047W		

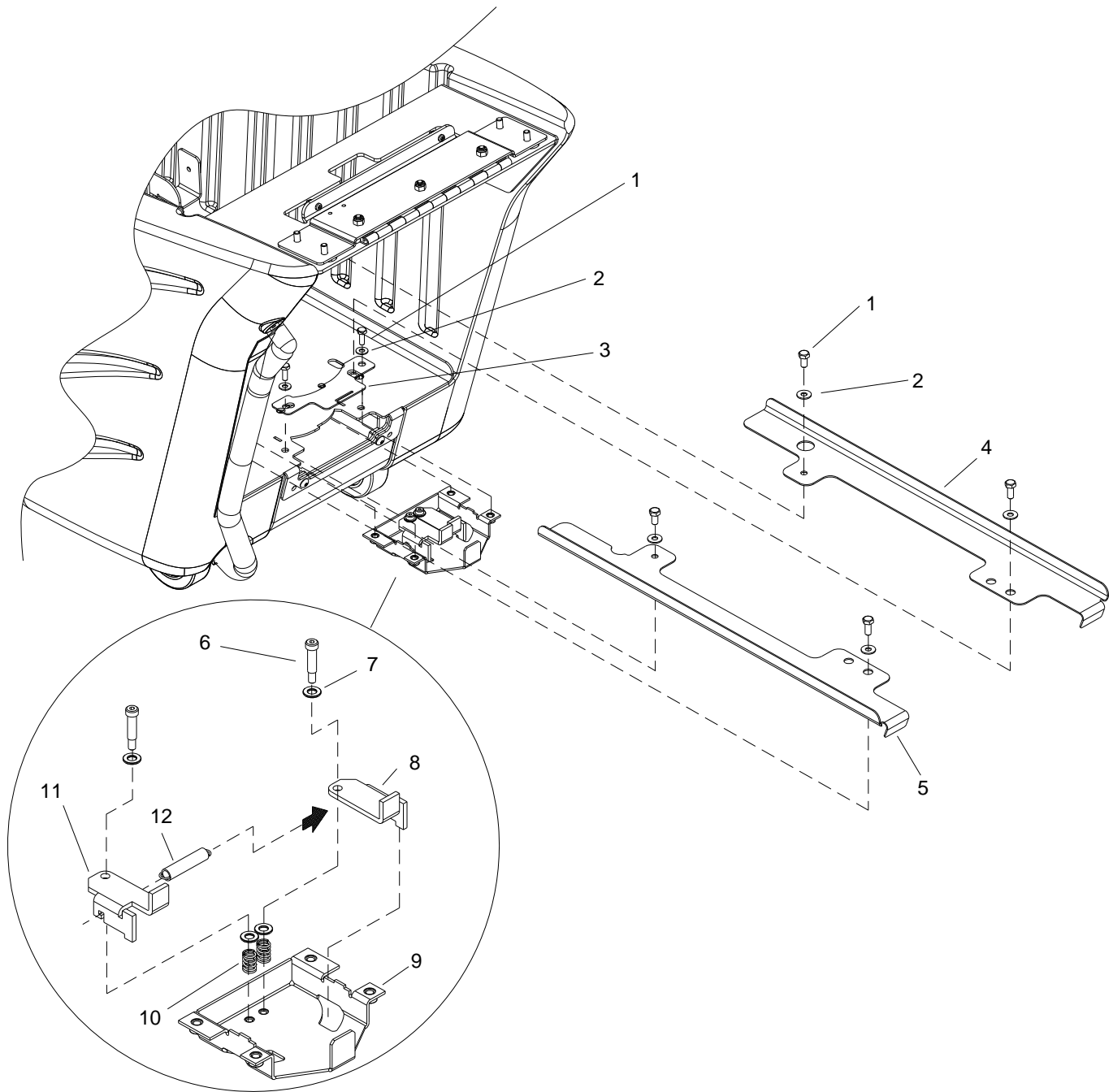
# BATTERY CART – TRAY



**BATTERY CART- TRAY**

REF	PART NO.	PRV NO.	QTY	DESCRIPTION	SERIAL NO. FROM	NOTES:
1	86005810	57245	10	NUT, 1/4-20 HEX NYLOCK SS		
2	86278150	70117	8	SHOULDER BOLT, 5/16 OD X 1.0 L		
3	86281060	89265	8	WHEEL, BATTERY TRAY		
4	86275870	70556	2	SCR, 1/4-20 X 1.5" PPHMS SS		
5	86008760	80682	1	CONN, 175 DCS GRY W/O TERMS		
6	86011530	-	1	BATTERY TRAY, WELDMENT		

# BATTERY EXCHANGE OPTION

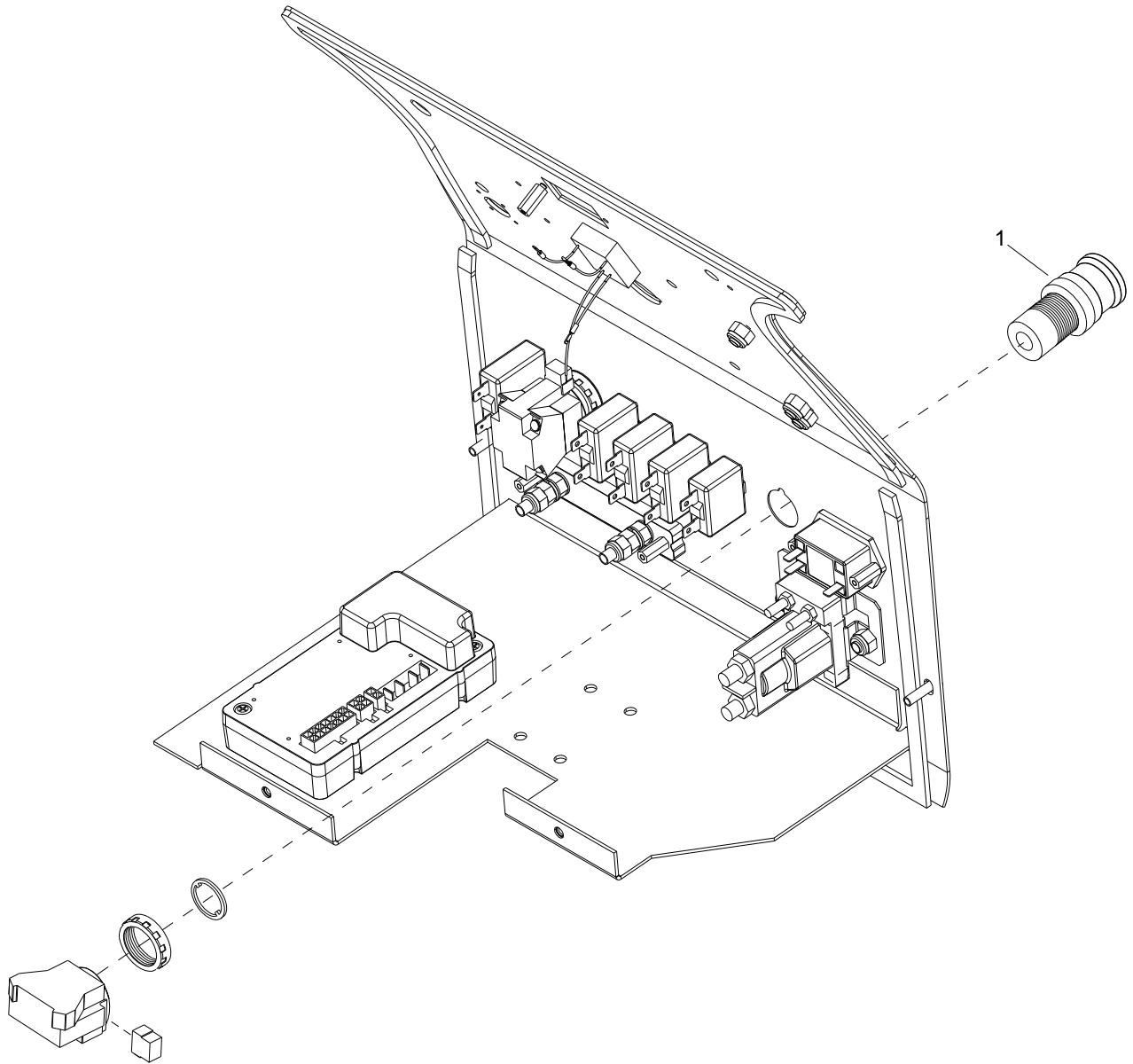




## BATTERY EXCHANGE OPTION

REF	PART NO.	PRV NO.	QTY	DESCRIPTION	SERIAL NO. FROM	NOTES:
1	86276780	70728	8	SCR, 5/16-18 X 3/4 HHCS SS		
2	86010670	87029	8	WASHER, 5/16 FLAT SS		
3	86290220	-	1	PLATE, OPTION, CART LATCH		
4	86011300	-	1	GUIDE, BATTERY TRAY, RIGHT		
5	86011280	-	1	GUIDE, BATTERY TRAY, LEFT		
6	86278150	70117	2	SHOULDER BOLT, 5/16 OD X 1.0 L		
7	86290510	-	4	WASHER, THRUST .315 ID X .63 T		
8	86292830	-	1	LATCH, TRAY STOP, RIGHT		
9	86292820	-	1	COVER, LATCH, CART		
10	86290500	-	2	SPRING, COMP .48OD .88L .063W		
11	86292840	-	1	LATCH, TRAY STOP, LEFT		
12	86226780	73044	1	SPRING, EXT .44D X 2.25L X .054W		

# EMERGENCY STOP-OPTION



## **EMERGENCY STOP - OPTION**

REF	PART NO.	PRV NO.	QTY	DESCRIPTION	SERIAL NO. FROM	NOTES:
1	86007180	72160	1	SWITCH, EMERGENCY STOP		
2	86299300	88868	1	WIRE, 16" RED/18 STRIPX STRIP		NOT SHOWN

## **SERIAL NUMBERS**

REF. NO.	MODEL: SERIAL #:
1	COMDU: 10086120000081
2	COMXDU: 10086140000105
3	COMDUX: 10086160000001
4	COMXDUX: 10086180000013
5	COMDU: 10086120000126
6	COMXDU: 10086140000168
7	COMDU: 10086120000140, COMXDU 10086140000195