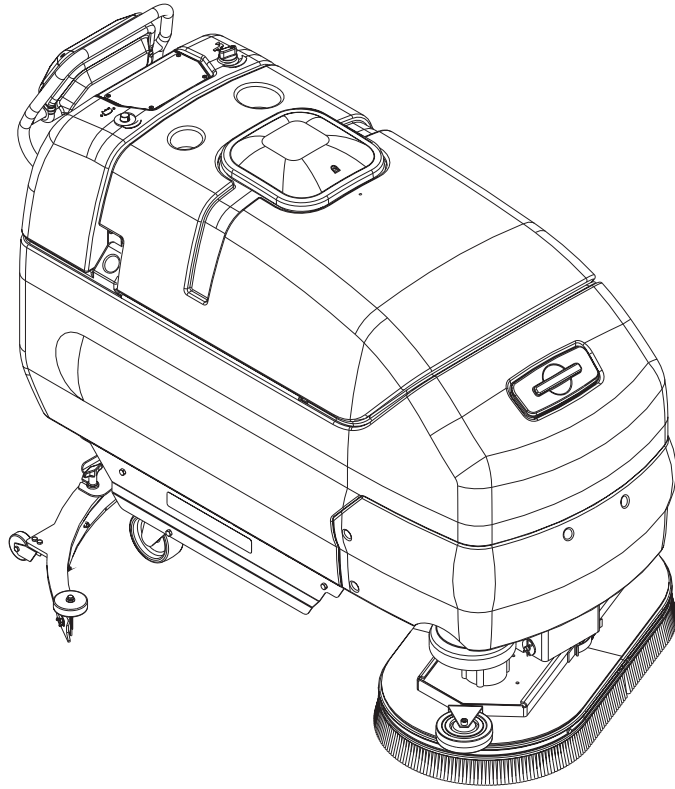


# ConvertaMAX™ 34

---

# I-MAX™ 34HD



## PARTS LIST

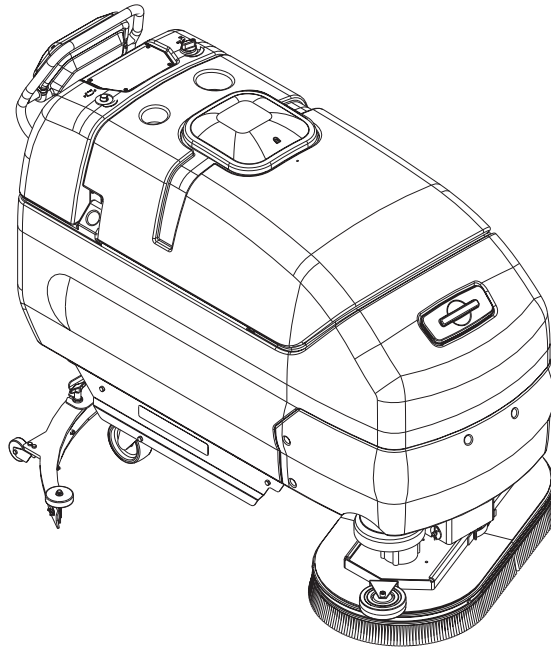
**Advance MODELS 56396019, 56396020**

ConvertaMAX 34 after SN1593243 / I-MAX 34HD after SN1593245



**Advance**  
*by Nilfisk-Advance*

3/02 revised 10/03 FORM NO. 56042430

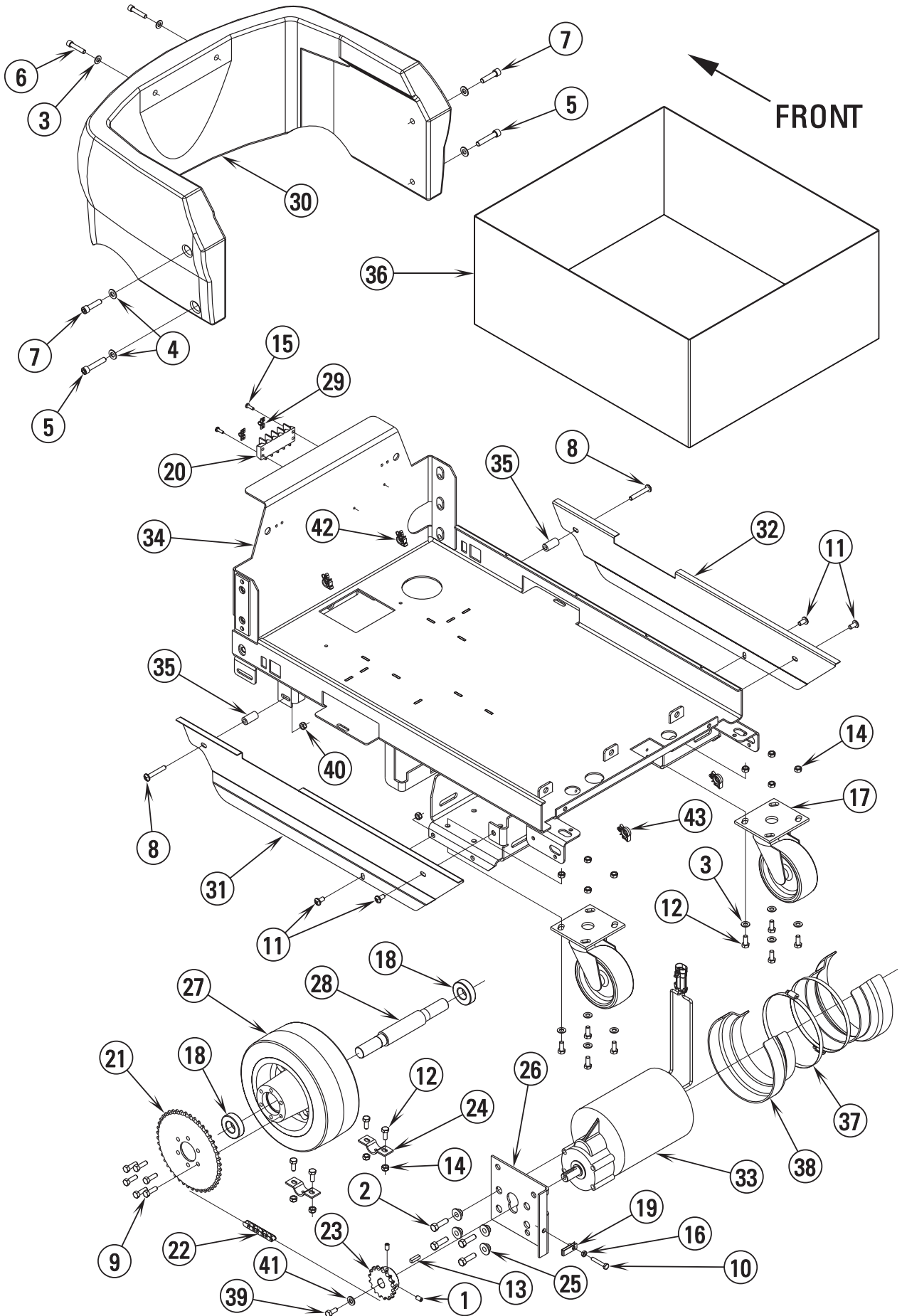


DESCRIPTION	PAGE
CONVERTAMAX™ 34 CHASSIS SYTEM .....	2-3
I-MAX™ 34HD CHASSIS SYTEM .....	4-5
CONTROL HANDLE SYSTEM .....	6-7
HANDLE PADDLE ASSEMBLY .....	8-9
SCRUB SYSTEM .....	10-11
SKIRT ASSEMBLIES .....	12-13
SOLUTION SYSTEM .....	14-15
RECOVERY SYSTEM .....	16-17
SQUEEGEE SYSTEM .....	18-19
SQUEEGEE ASSEMBLY .....	20-21
DECAL SYSTEM .....	22-23
WIRING DIAGRAM .....	24-25
PARKING BRAKE KIT .....	26-27
HIGH TOWER ROLLER BUMPER KIT .....	28-29

### WHEN ORDERING PARTS

- \* Use the 8 digit numbers from the "Ref. No." columns in this parts list.
- \* Specify the model and serial number of the machine.
- \* Use the space below to record the model and serial number for future reference.

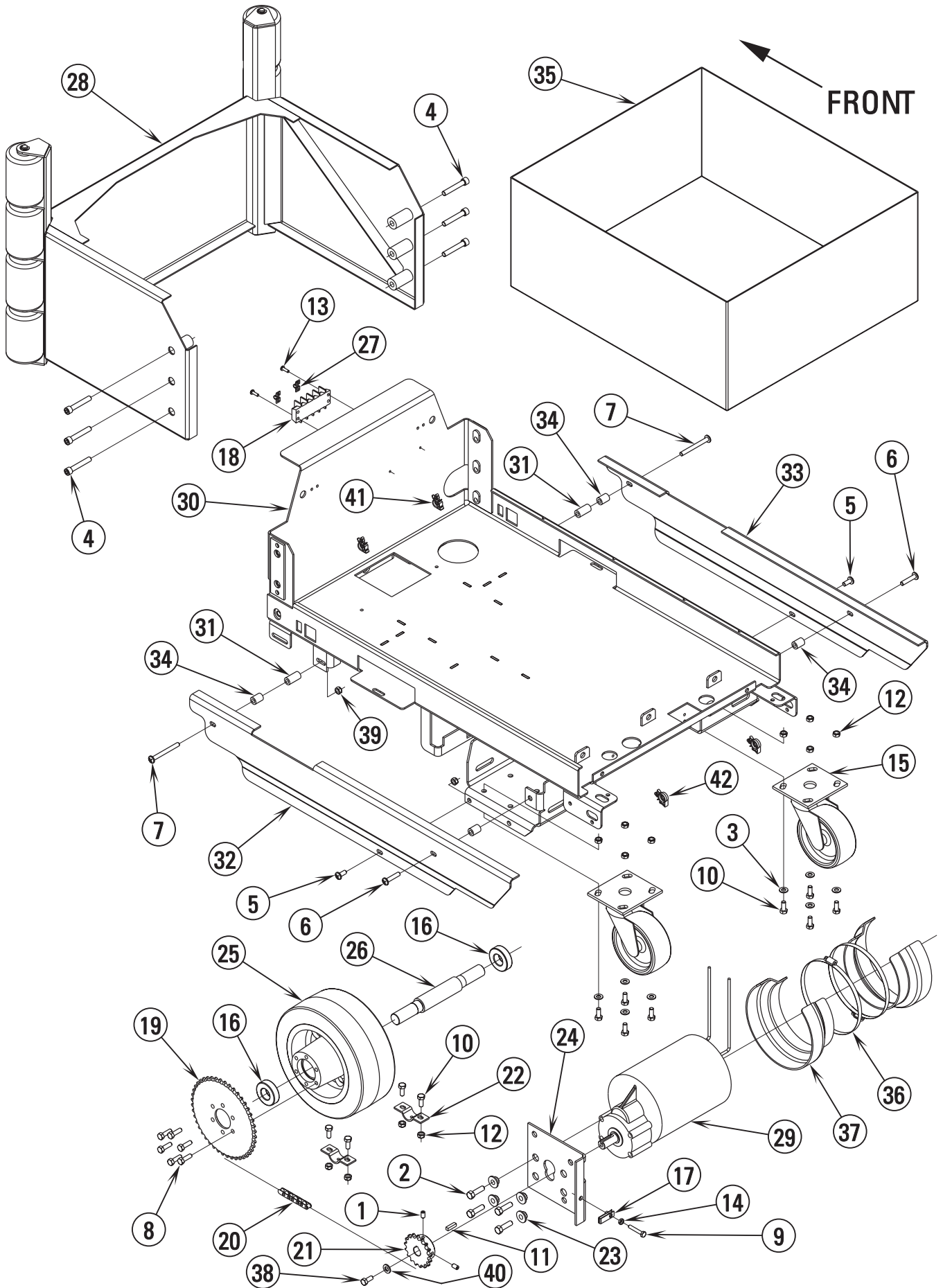
Model \_\_\_\_\_ Serial No. \_\_\_\_\_



02-3	<b>ConvertaMAX™ CHASSIS SYSTEM</b>		
02-11	<b>ConvertaMAX™ 34 / I-MAX™ 34HD</b>		<b>3</b>

Item	Ref. No.	Qty	Description
1	56001826	2	Scr, Soc Set Loc 5/16-18 x .50
2	56001858	4	Scr, Hex Hd 3/8-16 x 1.25
3	56001939	10	Wsh, Fit SAE 5/16
4	56002063	4	Wsh, Fit SAE 3/8
5	56002133	2	Scr, Soc Hd 3/8-16 x 2.00
6	56002201	2	Scr, Soc Hd 5/16-18 x 1.50
7	56002316	2	Scr, Soc Hd 3/8-16 x 1.50
8	56003613	2	Scr, Pan Phil 5/16-18 x 2.00
9	56003073	6	Scr, Hex Hd Loc 5/16-18 x 1.00
10	56003125	1	Scr, Hex Thd to Hd SS 1/4-20 x 1.50
11	56003003	4	Scr, Pan Phil 5/16-18 x .62
12	56003179	12	Scr Hex Thd to Hd M8-1.25 x 20MM
13	56003244	1	Key, Sq .25 x 0.94
14	56003389	12	Nut, Hex Nyl Loc M8-1.25
15	56009042	2	Scr, Pan Phil Thd Form 10-24 x .62
16	56009087	1	Nut, Hex Jam 1/4-20
17	56440450	2	Caster, Swivel
**	56440451	2	Caster, Swivel Neoprene
**	56391315	2	Caster, Spring Load
18	56479430	2	Bearing, Ball
19	56009289	1	Nut, U Multi-Thread 1/4-20
20	56026111	1	Term. Block, 4 Term. 50 Amp
21	56396022	1	Sprocket
22	56396033	1	Chain, Roller
23	56396034	1	Sprocket, H40B17
24	56396039	2	Clamp, Axle
25	56396048	4	Bushing
26	56396267	1	Bracket, Tension-Traction Drive
27	56396350	1	Wheel 10.00 x 4.00
28	56396351	1	Axle
29	56397184	2	Plate, Jumper
30	56397221	1	Cover, Front
31	56397281	1	Skirt, LH
32	56397282	1	Skirt, RH
33	56397316	1	Motor / Gear Unit Assembly 36V
34	56397501	1	Upper Chassis Weldment
35	56397522	2	Spacer, Phenolic
36	56397548	1	Box, Batteries
37	56355488	2	Clamp, Hose SAE #96
38	56397112	2	Shroud, Motor
39	56002667	1	Scr, Hex Hd 5/16-18 x .75
40	56002701	4	Nut, Hex Nyl Loc 5/16-18
41	56009214	1	Wsh, Fit .406 x .750 x .090
42	56386407	2	Clip, Conduit
43	56900756	2	Clip, Conduit
**	56396322	1	High Tower Roller Bumper Kit
**	56396323	1	Parking Brake Kit

\*\* = Not Included (optional)



02-3	<b>I-MAX™ 34HD CHASSIS SYSTEM</b>		
02-11	<b>ConvertaMAX™ 34 / I-MAX™ 34HD</b>		<b>5</b>

Item	Ref. No.	Qty	Description
1	56001826	2	Scr, Soc Set Loc 5/16-18 x .50
2	56001858	4	Scr, Hex Hd 3/8-16 x 1.25
3	56001939	8	Wsh, Flt SAE 5/16
4	56002134	6	Scr, Soc Hd 3/8-16 x 2.25
5	56002793	2	Scr, Pan Phil 5/16-18 x .75
6	56002968	2	Scr, Pan Phil 5/16-18 x 1.50
7	56003011	2	Scr, Pan Phil 5/16-18 x 3.00
8	56003073	6	Scr, Hex Hd Loc 5/16-18 x 1.00
9	56003125	1	Scr, Hex Thd to Hd SS 1/4-20 x 1.50
10	56003179	12	Scr Hex Thd to Hd M8-1.25 x 20MM
11	56003244	1	Key, Sq .25 x 0.94
12	56003389	12	Nut, Hex Nyl Loc M8-1.25
13	56009042	2	Scr, Pan Phil Thd Form 10-24 x .62
14	56009087	1	Nut, Hex Jam 1/4-20
15	56440450	2	Caster, Swivel
**	56440451	2	Caster, Swivel Neoprene
**	56391315	2	Caster, Spring Load
16	56479430	2	Bearing, Ball
17	56009289	1	Nut, U Multi-Thread 1/4-20
18	56026111	1	Term. Block, 4 Term. 50 Amp
19	56396022	1	Sprocket
20	56396033	1	Chain, Roller
21	56396034	1	Sprocket, H40B17
22	56396039	2	Clamp, Axle
23	56396048	4	Bushing
24	56396267	1	Bracket, Tension-Traction Drive
25	56396350	1	Wheel 10.00 x 4.00
26	56396351	1	Axle
27	56397184	2	Plate, Jumper
28	56397239	1	Assembly, Bumper Industrial
29	56397316	1	Motor / Gear Unit Assembly 36V
30	56397501	1	Upper Chassis Weldment
31	56397522	2	Spacer, Phenolic
32	56397545	1	Panel, Left
33	56397546	1	Panel, Right
34	56397547	4	Spacer, Alum
35	56397548	1	Box, Batteries
36	56355488	2	Clamp, Hose SAE #96
37	56397112	2	Shroud, Motor
38	56002667	1	Scr, Hex Hd 5/16-18 x .75
39	56002701	4	Nut, Hex Nyl Loc 5/16-18
40	56009214	1	Wsh, Flt .406 x .750 x .090
41	56386407	2	Clip, Conduit
42	56900756	2	Clip, Conduit
**	56397368	1	Industrial Side Panel Kit
**	56396323	1	Parking Brake Kit

\*\* = Not Included (optional)

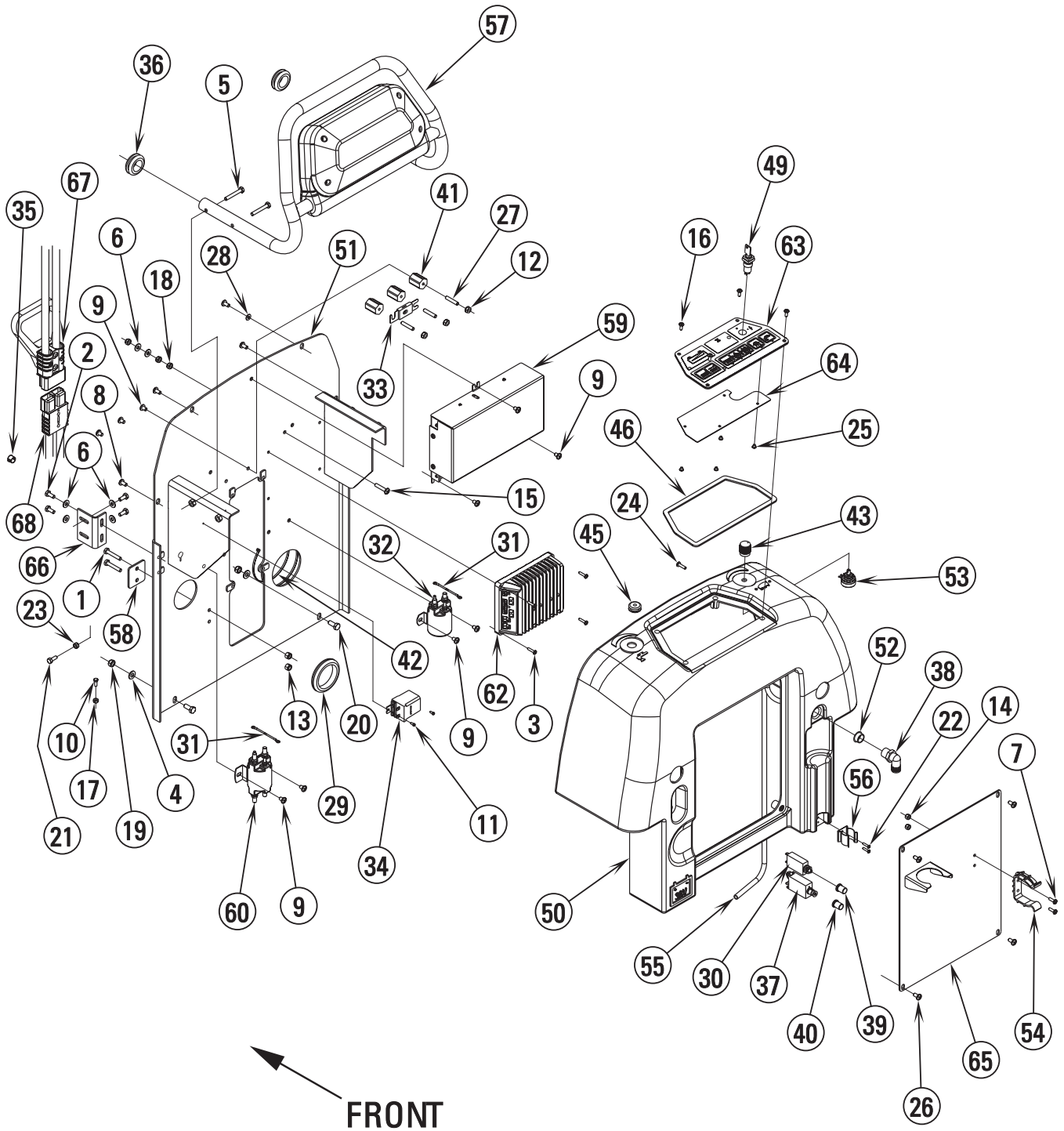
# CONTROL HANDLE SYSTEM

02-3

6

## ConvertaMAX™ 34 / I-MAX™ 34HD

03-4



02-3

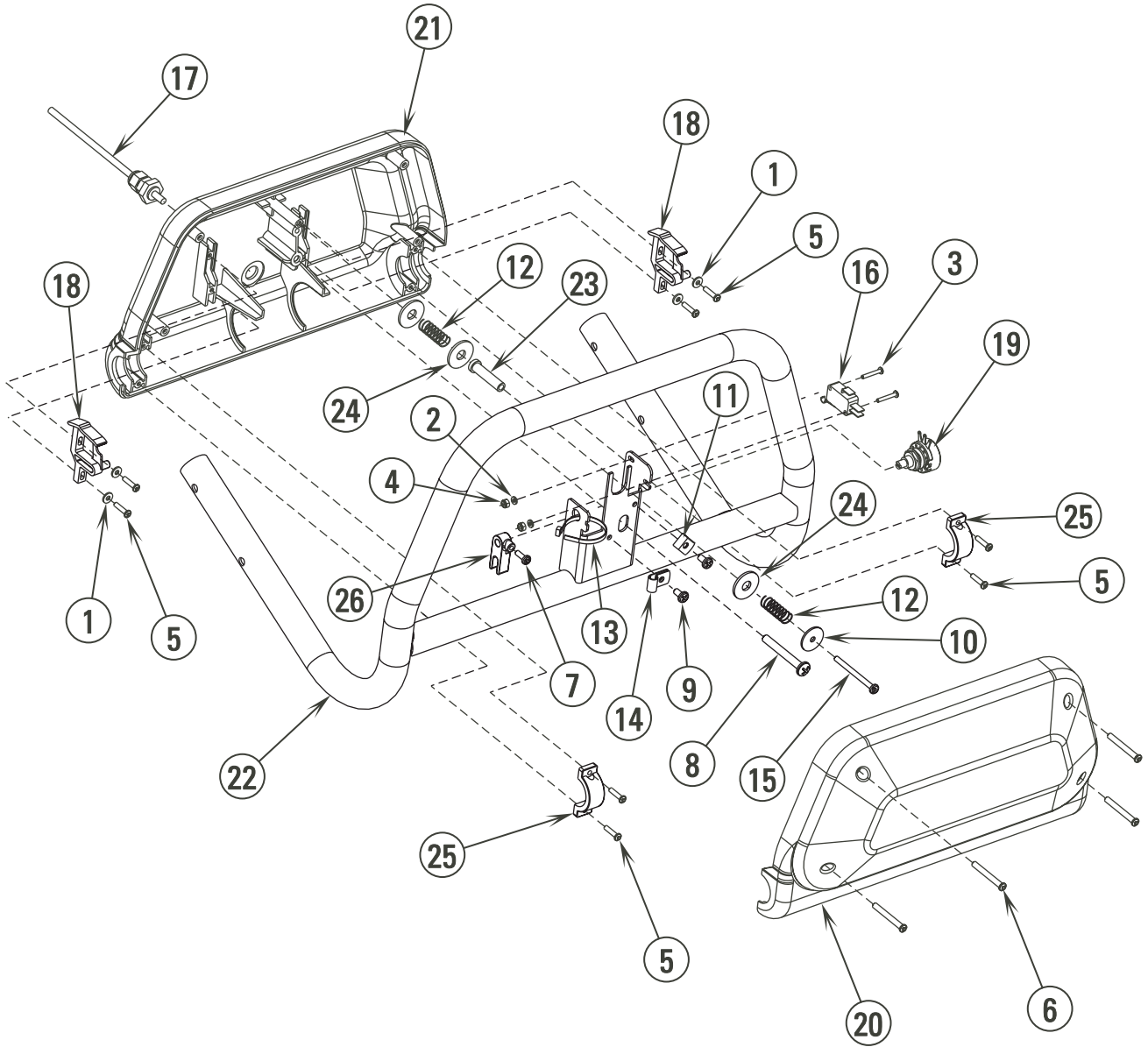
**CONTROL HANDLE SYSTEM**

03-4

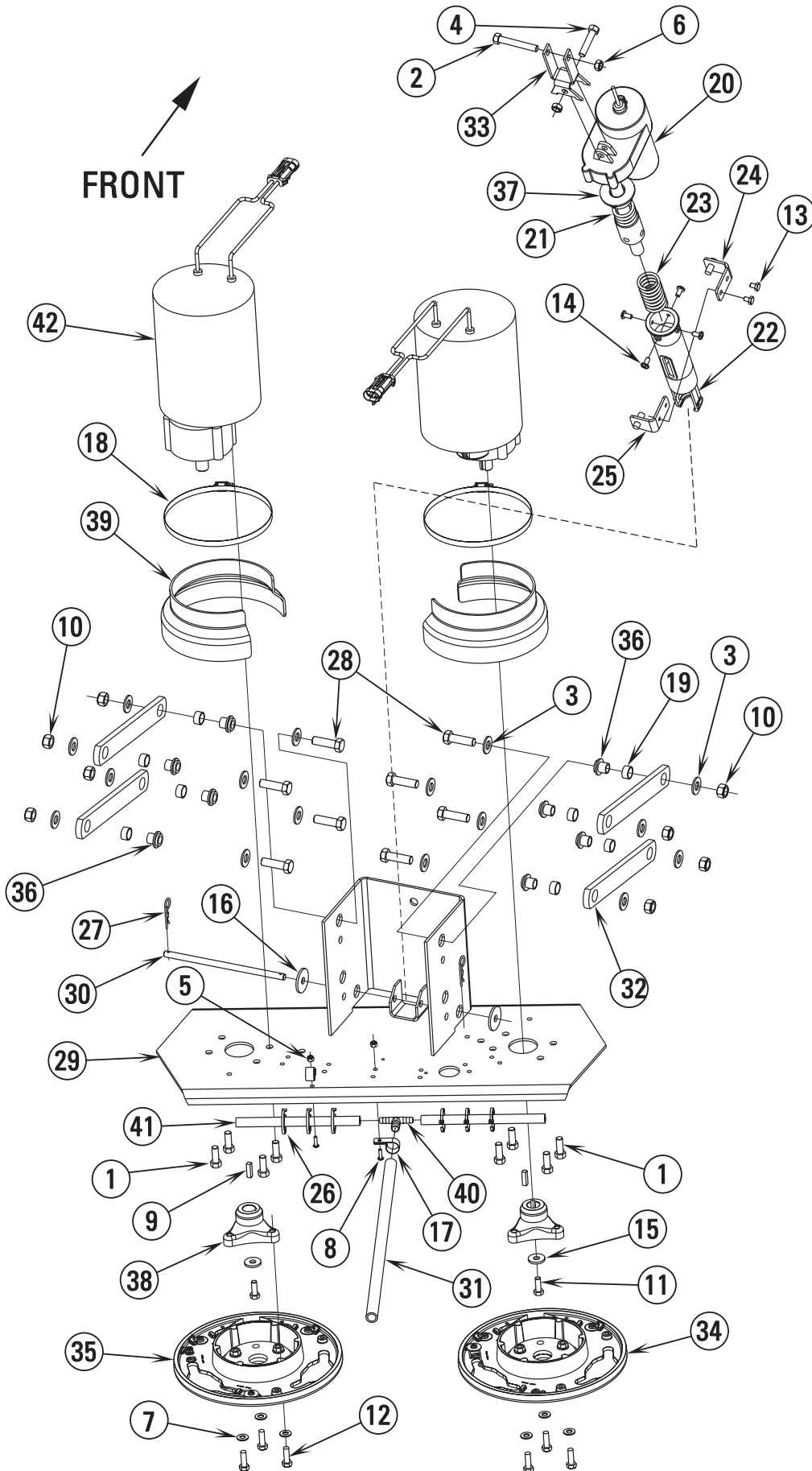
**ConvertaMAX™ 34 / I-MAX™ 34HD****7**

Item	Ref. No.	Qty	Description	Item	Ref. No.	Qty	Description
1	56001833	2	Scr, Hex Hd 1/4-20 x 1.50	42	56478523	2	Tie, Cable
2	56001836	8	Scr, Hex Hd 1/4-20 x .62	43	56056596	1	Knob
3	56001860	4	Scr, Pan Phil 8-32 x .75	44			<b>Intentionally Omitted</b>
4	56001939	2	Wsh, Fit SAE 5/16	45	56396149	1	Grommet
5	56001967	4	Scr, Hex Hd 1/4-20 x 1.75	46	56396151	1	Gasket
6	56002098	10	Wsh, Fit SAE 1/4	47			<b>Intentionally Omitted</b>
7	56002124	2	Scr, Pan Phil 10-24 x .62	48			<b>Intentionally Omitted</b>
8	56002145	4	Scr, Pan Phil 1/4-20 x .50	49	56396188	1	Switch, Key
9	56002462	10	Scr, Pan Phil 1/4-20 x .38	*	56396189	A/R	Replacement Key
10	56002503	1	Scr, Hex Hd 10-24 x .50	50	56397515	1	Cover, Rear
11	56002539	2	Scr, Pan Phil Thd Form 6-32 x .31	51	56397538	1	Weldment, Electrical Panel
12	56002561	3	Nut, Hex W/SHPRF 1/4-20	52	56900041	1	Plug, Cap
13	56002708	2	Nut, Hex Nyl Loc 1/4-20	53	56396197	1	Potentiometer, 100K ( <b>Speed Control</b> )
14	56002768	2	Nut, Hex Nyl Loc 10-24	54	56396199	1	Clamp, Plastic
15	56002825	1	Scr, Pan Phil 1/4-20 x 1.25	55	56396204	1	Hose, PVC 1/4 x 3/8 x 48
16	56002831	4	Scr, Pan Phil Blk 10-24 x .50	56	56396252	1	Clip, Spring
17	56002832	1	Nut, Hex Nyl Loc-Thin 10-24	57	56396321	1	Paddle, Handle Assy <b>(see associated pages)</b>
18	56002840	3	Nut, Hex Nyl Loc-Thin 1/4-20	58	56397189	1	Spacer
19	56002851	2	Nut, Hex Nyl Loc-Thin SS 5/16-18	59	56397211	1	Control Box Assy
20	56002956	2	Scr, Hex Hd Loc 5/16-18 x .75	60	56397250	1	Solenoid, SPDT 36V ( <b>Brush Motor</b> )
21	56003174	1	Scr, Hex Thd to Hd M6-1.0 x 16MM	61			<b>Intentionally Omitted</b>
22	56003197	2	Scr, Pan Phil Plastite 6-18 x .62	62	56397252	1	Controller, 36V
23	56003403	1	Nut, Hex Nyl Loc M6-1.00	63	56397259	1	Display Panel Assembly
24	56009005	1	Scr, Pan Phil SS Type B 10-16 x .75	64	56397260	1	Display PCB Assy
25	56009055	4	Scr, Pan Phil 8-32 x .19	65	56397283	1	Weldment, Panel Rear <b>TSBUS2002-830</b>
26	56009069	4	Scr, Pan Phil Loc 1/4-20 x .50	66	56397291	2	Bracket
27	56009203	3	Stud, 1/4-20	67	56398000	1	Connector Assembly 4 AWG <b>TSBUS2003-841</b>
28	56009205	1	Wsh, Fit SS #10	68	56398001	1	Connector Assembly 1 AWG
29	56262531	1	Grommet	*	56396183	1	Main Harness
30	56387316	1	Circuit Breaker, 10 Amp ( <b>Control Circuit</b> )				
31	56389265	2	Rectifier				
32	56395450	1	Contactora, 36V ( <b>Vac Motor</b> )				* = Not Shown
33	56412089	1	Fuse, 150 Amp				
34	56416157	1	Relay, SPST ( <b>Brush Remove</b> )				
35	56323560	1	Plug, Cap				
36	56418199	2	Grommet				
37	56452193	1	Circuit Breaker, 40 Amp ( <b>Wheel Drive</b> )				
38	56456802	1	Barb, 90 Elbow 11/16 x 3/4NPT				
39	56459367	1	Boot, Reset Button				
40	56459368	1	Boot, Reset Button				
41	56469858	3	Electrical Mount				





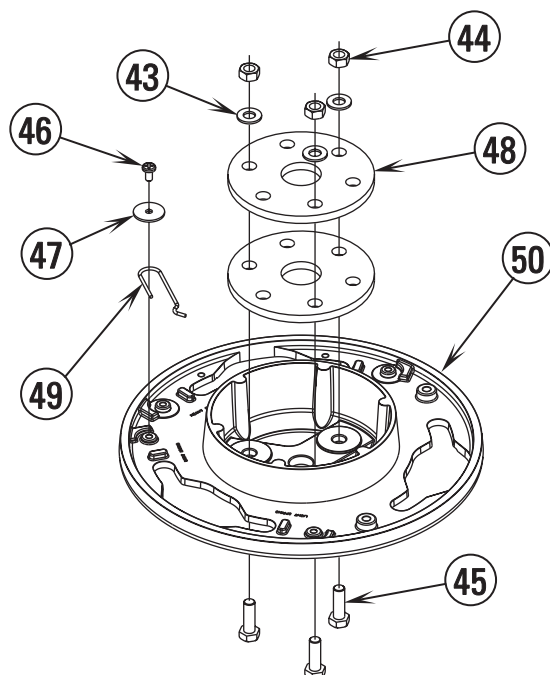
Item	Ref. No.	Qty	Description
	56396321	1	Paddle, Handle Assembly (#1-26)
1	56002006	4	Wsh, Fit SAE #6
2	56002431	2	Wsh, Fit SAE #4
3	56002713	2	Scr, Pan Phil 4-40 x .75
4	56002838	2	Nut, Hex Nyl Loc 4-40
5	56003197	8	Scr, Pan Phil Plastite 6-18 x .62
6	56003199	4	Scr, Pan Phil Plastite 8-15 x 1.50
7	56003354	1	Scr, Pan Phil M4 x 12
8	56003527	1	Scr, Pan Phil Plastite 1/4-10 x 2.00
9	56009030	2	Scr, Pan Phil Thd Form 10-24 x .38
10	56009096	1	Wsh, Fit .193 x .875 x .060
11	56220507	1	Clamp, P
12	56325654	2	Spring, Compression
13	56478246	1	Tie, Cable
14	56481890	1	Clamp, P
15	56009287	1	Scr, Pan Phil Type B 8 x 2.00
16	56263174	1	Switch, Snap SPDT (Squeegee Reverse)
17	56396234	1	Harness Assembly
18	56397015	2	Cam Controller
19	56397029	1	Potentiometer, 5K
20	56397030	1	Paddle, Front Molded
21	56397031	1	Paddle, Back Molded
22	56397034	1	Weldment, Handle
23	56397109	1	Sleeve
24	56397170	3	Washer, Plastic
25	56397171	2	Clamp
26	56397172	1	Potentiometer Fork

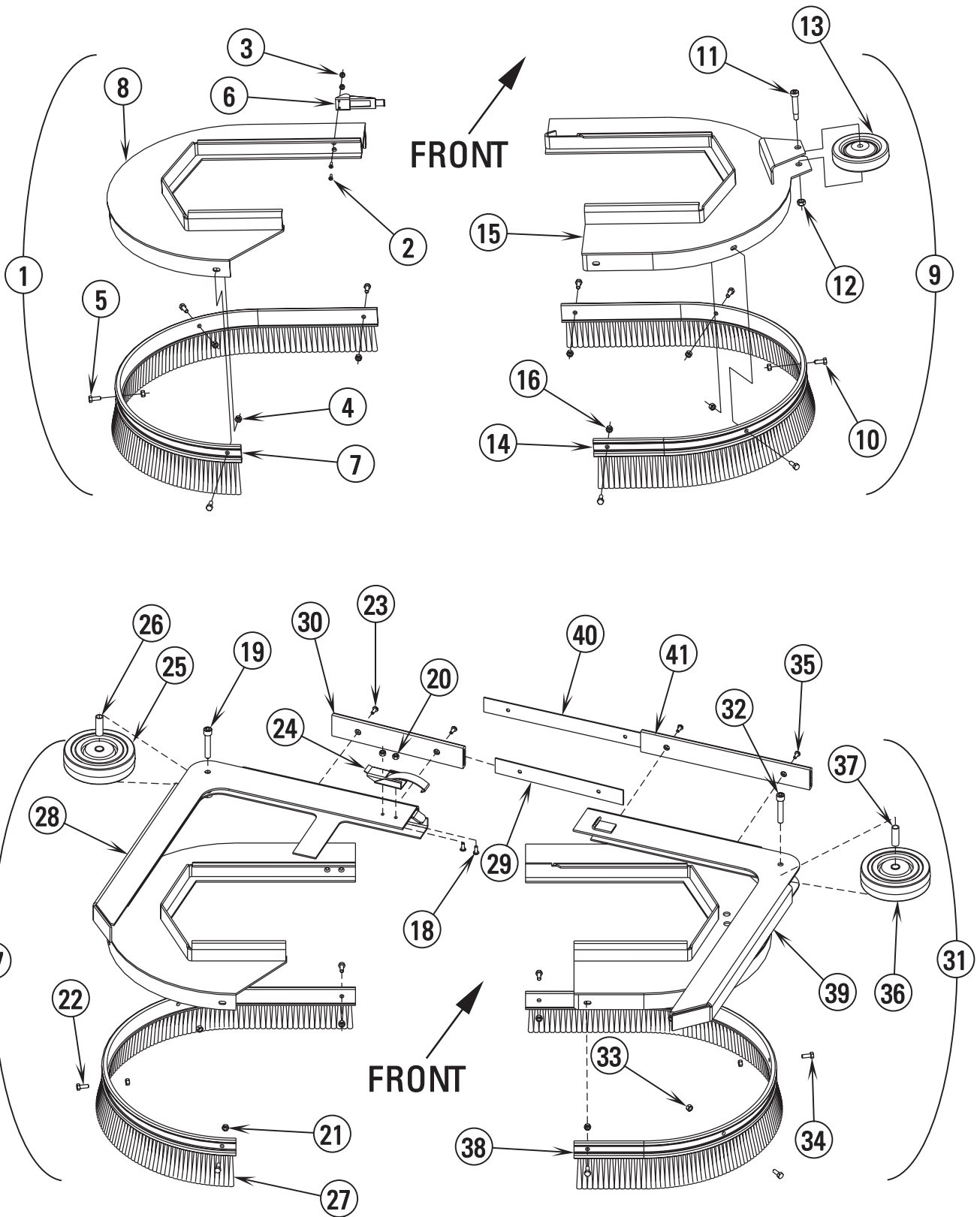


Item	Ref. No.	Qty	Description	Item	Ref. No.	Qty	Description
1	56002947	8	Scr, Hex Hd Loc 3/8-16 x 1.00	38	56314031	2	Hub, Drive
2	56001873	1	Scr, Hex Hd 3/8-16 x 2.50	39	56397112	2	Shroud, Motor
3	56001879	16	Wsh, Flt SAE 1/2	40	56397300	1	Tee, Barb
4	56002684	1	Scr, Hex Hd 3/8-16 x 1.75	41	56397301	2	Hose, PVC
5	56002808	2	Nut, Hex Nyl Loc 8-32	42	56635645	2	Motor & Gear Assy, 36VDC, .75HP <b>(ConvertaMAX™ 34)</b>
6	56002841	2	Nut, Hex Nyl Loc-Thin 3/8-16		56397296	2	Motor & Gear Assy, 36VDC, 1.0HP <b>(I-MAX™ 34HD)</b>
7	56002938	6	Wsh, Flt SAE SS 5/16	*	56397090	1	Bearing B.E.
8	56003001	2	Scr, Pan Phil SS 8-32 x .62	*	56397135	1	Bearing F.E.
9	56003244	2	Key, Sq .25 x .94	*	56397048	1	Brush Board Assy, W/Springs & Brushes
10	56003312	8	Nut, Hex Nyl Loc M12-1.75	*	56397138	4	Brush Spring
11	56003335	2	Scr, Hex Loc SS 5/16-18 x .88	*	56039276	4	Brush Assy.
12	56003477	6	Scr, Hex Loc SS M8-1.00 x 25mm	43	56002938	3	Wsh, Flt SAE SS 5/16
13	56009019	2	Scr, Hex Thd Form 1/4-20 x .38	44	56003405	3	Nut, Hex Nyl Loc SS M8 x 1.25
14	56009062	4	Scr, Pan Phil Thd Form 1/4-20 x .50	45	56003436	3	Scr, Hex Hd SS 8-1.25 x 25MM
15	56009107	2	Wsh, Flt SS .378 x 1.00 x .12	46	56009030	1	Scr, Pan Phil Thd Form 10-24 x .38
16	56009242	2	Wsh, Flt .406 x 1.50 x .125	47	56009096	1	Wsh, Flt .193 x .875 x .060
17	56328064	2	Clamp, P	48	56407053	2	Thermoid Disk
18	56355488	2	Clamp, Hose SAE #96	49	56397081	1	Spring Retainer
19	56370878	8	Bearing, Sleeve	50	56314030	1	Brush Holder
20	56393303	1	Actuator, Motor	**	56505780	2	Pad Holder
*	56470433	1	Carbon Brush Set	**	56505781	2	MagnaGrit Brush
*	56393790	2	Limit Switch	**	56505782	2	DynaGrit Brush
*	56388520	1	Plastic Drive Nut	**	56505783	2	AgLite Grit Brush
21	56412071	1	Compression Spring	**	56505784	2	Prolene Brush
22	56412262	1	Housing, Spring	**	56505785	2	ProLite Brush
23	56420018	1	Compression Spring	**	56505786	2	Union Mix Brush
24	56420019	1	Nut Retainer	**	56505787	2	MidGrit Brush
25	56420020	1	Nut Retainer	**	56505788	2	MidLite Brush
26	56478246	6	Tie, Cable	**	56182058	2	Lock Collar, Snap
27	56003120	2	Pin, Cotter Hair .0915 x .375	**	56393567	2	Lock Collar, Thrd
28	56003637	8	Scr, Hex M12-1.75 x 40mm				
29	56035078	1	Weldment, Brush Head				
30	56056474	1	Shaft, Steel				
31	56172099	1	Hose, PVC Clear				
32	56396045	4	Arm				
33	56396066	1	Yoke, Actuator				
34	56396080	1	Lug, Counterclockwise (#43-50)				
35	56396081	1	Lug, Clockwise (#43-50)				
36	56396196	8	Bushing				
37	56396268	1	Spring Housing Guide				

\* = Not Shown

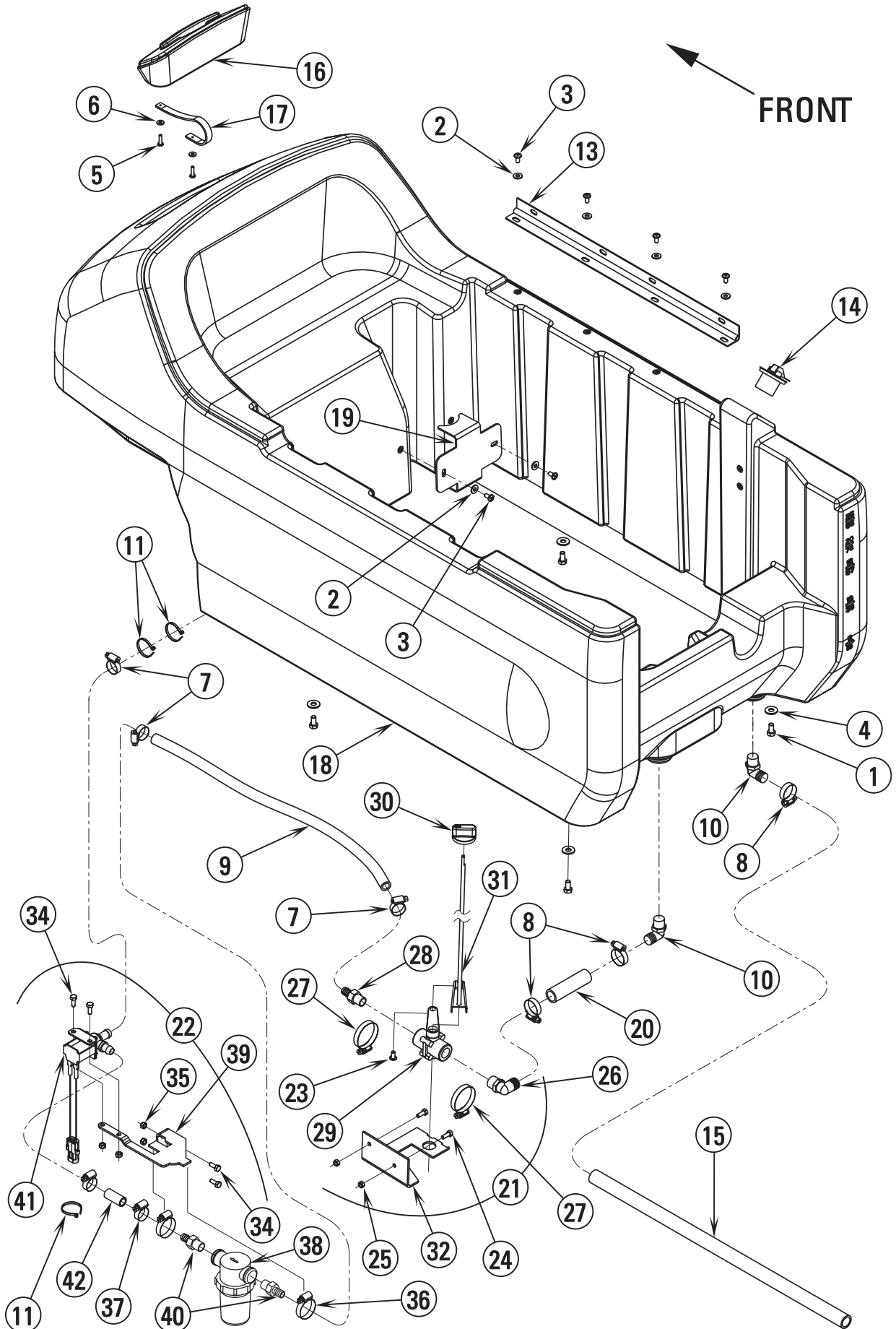
\*\* = Not Included (optional)





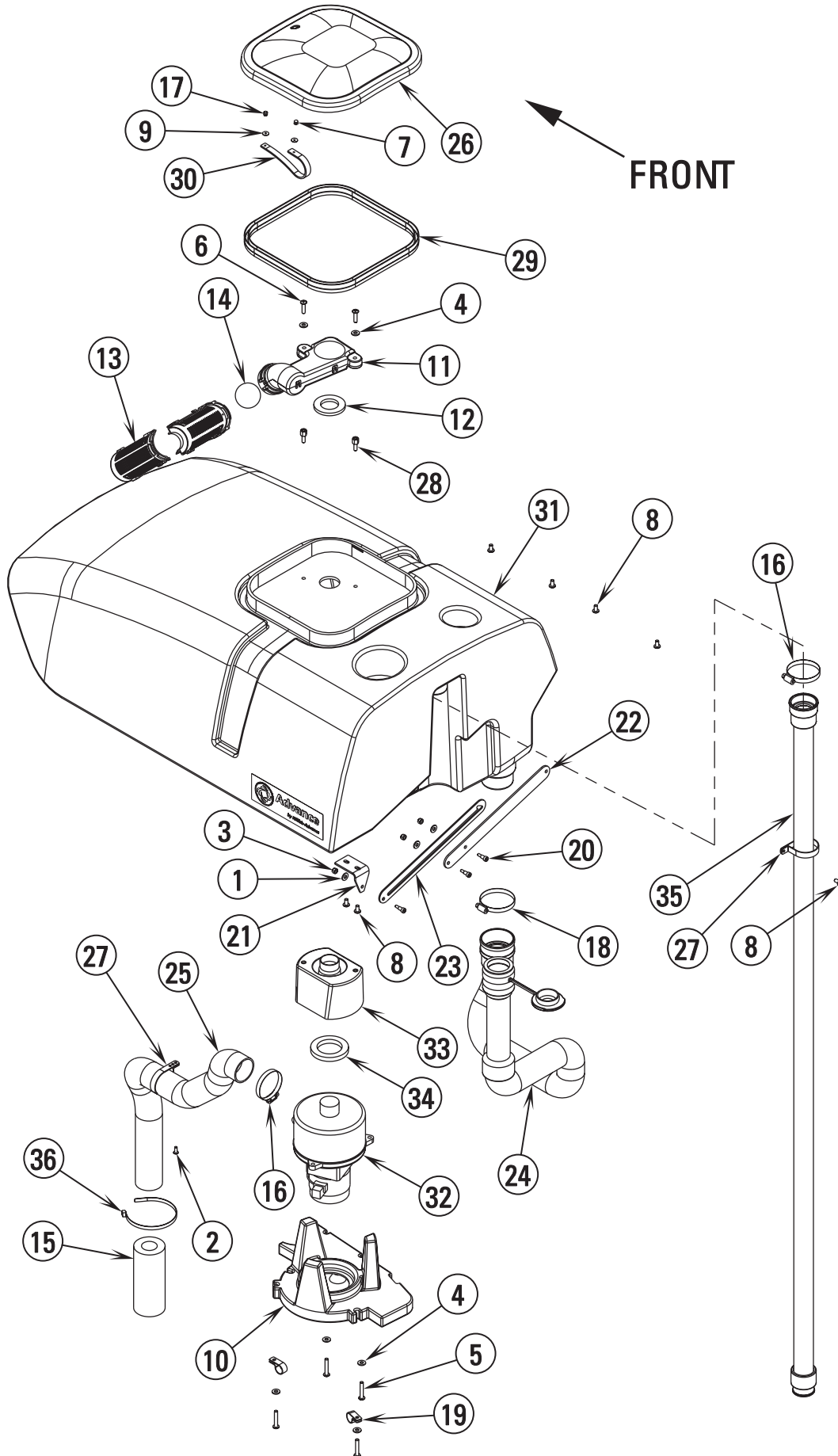
Item	Ref. No.	Qty	Description
1	56397543	1	Assembly, Brush Guard Left (#2-8 / ConvertaMAX™ 34)
2	56002816	2	Scr, Flt Phil 6-32 x .50
3	56002907	2	Nut, Hex Nyl Loc SS 6-32 x .50
4	56003426	4	Nut, Hex Nyl Loc SS M6-1.0
5	56003431	4	Scr, Hex Hd SS M6-1.0 x 16mm
6	56471191	1	Latch Assembly
7	56396089	1	Skirt, Bristle, Left
8	56397531	1	Weldment, Brush Cover Left
9	56397544	1	Assembly, Brush Guard Right (#10-16 / ConvertaMAX™ 34)
10	56003431	5	Scr, Hex Hd SS M6-1.0 x 16mm
11	56002625	1	Scr, Soc Shd .38 x 1.50 x 5/16-18
12	56002701	1	Nut, Hex Nyl Loc 5/16-18
13	56228102	1	Wheel
14	56396090	1	Skirt, Bristle, Right
15	56397536	1	Weldment, Brush Cover, Right
16	56003426	5	Nut, Hex Nyl Loc SS M6 x 1.0
**	56397080	1	Rubber Blade Kit (All models)
17	56397269	1	Assembly, Brush Cover, Left (#18-30 / I-MAX™ 34HD)
18	56001993	2	Scr, Pan Phil 10-24 x .50
19	56002133	1	Scr, Soc Hd 3/8-16 x 2.00
20	56002768	2	Nut, Hex Nyl Loc 10-24
21	56003426	4	Nut, Hex Nyl Loc SS M6-1.0
22	56003431	4	Scr, Hex Hd SS M6-1.0 x 16mm
23	56009082	2	Scr, Pan Phil Thd Form-Blk 10-24 x .50
24	56054306	1	Clamp, Toggle Latch
25	56161691	1	Wheel, Black
26	56056684	1	Spacer, Steel
27	56396089	1	Skirt, Bristle, Left
28	56397270	1	Weld't, Brush Cover, Left HD
29	56397277	1	Strap
30	56397278	1	Bumper
31	56397267	1	Assembly, Brush Cover, Right (#32-41 / I-MAX™ 34HD)
32	56002133	1	Scr, Soc Hd 3/8-16 x 2.00
33	56003426	5	Nut, Hex Nyl Loc SS M6-1.0
34	56003431	5	Scr, Hex Hd SS M6-1.0 x 16mm
35	56009082	2	Scr, Pan Phil Thd Form-Blk 10-24 x .50
36	56161691	1	Wheel, Black
37	56056684	1	Spacer, Steel
38	56396090	1	Skirt, Bristle, Right
39	56397268	1	Weld't, Brush Cover, Right HD
40	56397277	1	Strap
41	56397278	1	Bumper
**	56397080	1	Rubber Blade Kit (All models)

\*\* = Optional



Item	Ref. No.	Qty	Description
1	56002035	4	Scr, Hex Hd 5/16-18 x .62
2	56002098	6	Wsh, Flt SAE 1/4
3	56002145	6	Scr, Pan Phil 1/4-20 x .50
4	56002220	4	Wsh, Flt STD 5/16
5	56009005	2	Scr, Pan Phil SS Type B 10-16 x .75
6	56009205	2	Wsh, Flt SS #10
7	56219932	3	Clamp, Hose SAE #6
8	56244969	3	Clamp, Hose SAE #12
9	56324249	1	Hose, Spiral .50
10	56456802	2	Barb, 90 Elbow 11/16 x 3/4NPT
11	56478246	3	Tie, Cable
12	56051836	1	Hook <b>(Not Shown)</b>
13	56056291	1	Hinge
14	56057852	1	Plug, Expansion
15	56261265	1	Hose, .75 Clear PVC, 25.00
16	56397021	1	Lid, Solution
17	56397167	1	Strap, Retaining
18	56397220	1	Tank, Solution
19	56397287	1	Bracket
20	56397540	1	Hose, .75 ID
21	56397524	1	Water Valve Assembly <b>(items 23-32)</b>
22	56397533	1	Assembly, Filter 36V LC <b>(items 34-42) TSBUS2003-835</b>
	56397214	1	Assembly, Filter 36V <b>(#34-42) TSBUS2003-835</b>
23	56003119	1	Scr, Pan Phil SS 1/4-20 x .50
24	56003174	2	Scr Hex Thd to Hd M6-1.0 x 16MM
25	56003403	2	Nut, Hex Nyl Loc M6-1.00
26	56244985	1	Barb, 90 Elbow 3/4 x 1/2 NPT
27	56329145	2	Clamp, Hose SAE #24
28	56412184	1	Barb, Adapter 1/2 x 1/2 NPT
29	56057830	1	Valve, Ball
30	56396201	1	Knob
31	56396310	1	Flow Valve Weld't
32	56397526	1	Bracket, Valve
34	56003174	4	Scr, Hex Thd to Hd M6-1.0 x 16MM
35	56003403	4	Nut, Hex Nyl Loc M6-1.00
36	56131601	2	Clamp, Hose SAE #16
37	56219932	2	Clamp, Hose SAE #6
38	56260905	1	Strainer <b>TSBUS2003-835</b>
	56412173	1	Solution Filter <b>TSBUS2003-835</b>
39	56396068	1	Filter Bracket
40	56397145	2	Barb, Hose Female <b>TSBUS2003-835</b>
	56412184	2	Barb, Adapter 1/2 x 1/2NPT <b>TSBUS2003-835</b>
41	56397215	1	Solenoid Valve Assy. 36V
42	56396330	1	Hose, PVC Clear <b>TSBUS2003-835</b>
	56397217	1	Hose, PVC Clear <b>TSBUS2003-835</b>

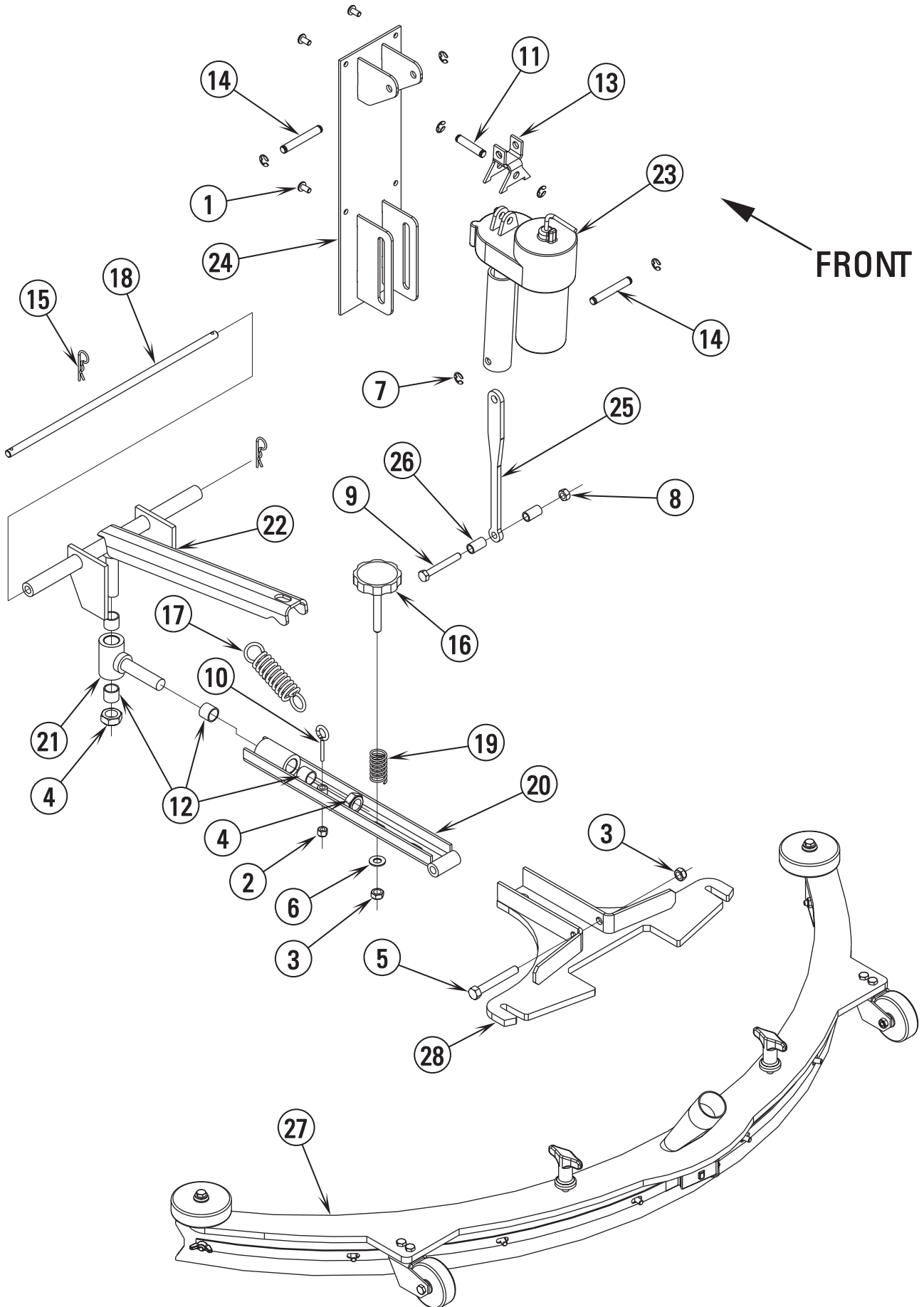




Item	Ref. No.	Qty	Description
1	56002098	3	Wsh, Flt SAE 1/4
2	56001993	1	Scr, Pan Phil 10-24 x .50
3	56002768	3	Nut, Hex Nyl Loc 10-24
4	56002859	6	Wsh, Flt SAE SS 1/4
5	56002905	4	Scr, Pan Phil SS 1/4-20 x 1.50
6	56003067	2	Scr, Pan Phil SS 1/4-20 x 1.00
7	56003293	1	Rivet, Pop A/S .125 x .38/.50
8	56002145	7	Scr, Pan Phil 1/4-20 x .50
9	56009098	2	Wsh, Flt SS .125 x .50 x .036
10	56302141	1	Vac Motor Duct
11	56302142	1	Float Duct
12	56302165	1	Gasket
13	56324497	2	Cage, Float
14	56391690	1	Ball, Float
15	56391807	1	Foam, Acoustical
16	56440213	2	Clamp, Hose SAE #32
17	56003642	1	Rivet, Pop .50 x .62 <b>NOTE 1</b>
18	56456797	1	Clamp, Hose SAE #36
19	56486112	2	Clamp P
20	56003537	3	Scr, Soc Shd .25 x .38 x 10-24
21	56057504	1	Bracket, Steel
22	56057505	1	Bar
23	56057508	1	Bar, Steel
24	56396031	1	Drain Hose
25	56397040	1	Vacuum Exhaust Hose
26	56397045	1	Lid
27	56397095	2	Clamp, Hose
28	56397096	2	Spacer, Bolt
29	56397151	1	Gasket
30	56397167	1	Strap, Retaining
31	56396225	1	Tank, Recovery
32	56397228	1	Motor, Vac 36VDC
*	56212223	1	Carbon Brush Set
33	56397303	1	Spacer, Vac Motor
34	56397307	1	Gasket, Vac
35	56396287	1	Vac Hose 1.50 Assy
36	56477613	1	Tie, Cable

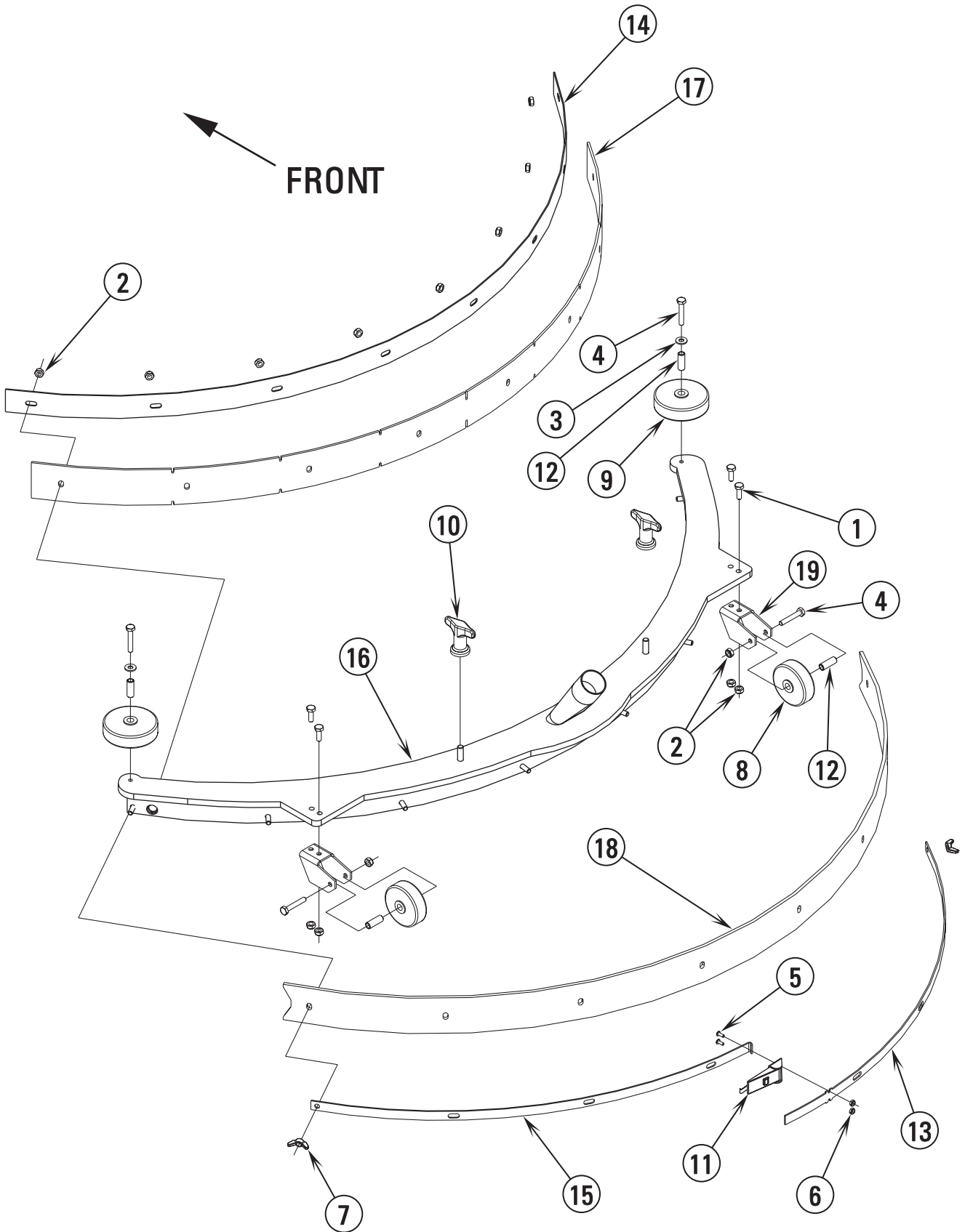
\* = Not Shown

**NOTE 1:** Fill rivet with 409 Super Bonder Gel after installing.



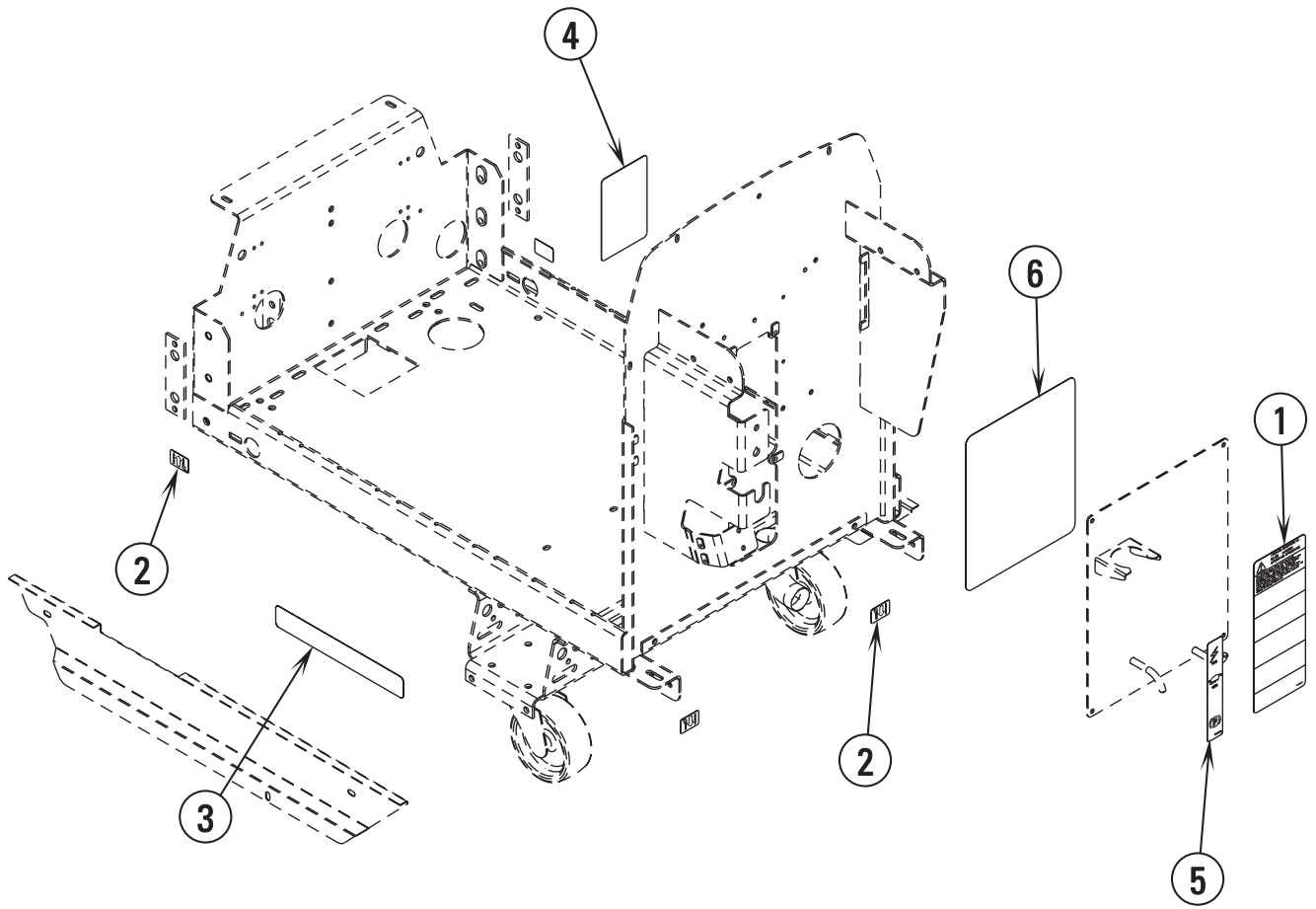
Item	Ref. No.	Qty	Description
1	56002145	4	Scr, Pan Phil 1/4-20 x .50
2	56002708	1	Nut, Hex Nyl Loc 1/4-20
3	56002852	2	Nut, Hex Nyl Loc-Thin SS 3/8-16
4	56002855	2	Nut, Hex Nyl Loc-Thin SS 5/8-11
5	56002903	1	Scr, Hex Hd SS 3/8-16 x 2.75
6	56002910	1	Wsh, Flt SAE SS 3/8
7	56003262	6	Ring, Ret Ext Type E 0.38 Dia
8	56003405	1	Nut, Hex Nyl Loc SS M8 x 1.25
9	56003464	1	Scr, Hex Hd SS M8-1.25 x 60MM
10	56009220	1	Bolt, Eye 1/4-20 x 1.38
11	56104760	1	Pin
12	56367389	4	Bearing, Sleeve
13	56392454	1	Yoke, Actuator
14	56412088	2	Pin
15	56003120	2	Pin, Cotter Hair .0915 x .375
16	56035163	1	Assembly, Knob, Adjustment
17	56051136	1	Spring, Ext
18	56056371	1	Shaft .375 x 14.62
19	56056585	1	Compression Spring
20	56396076	1	Squeegee Bar Weld't
21	56396085	1	Squeegee Pivot Weld't
22	56397093	1	Squeegee Lift Weld't
23	56397230	1	Actuator, Motor 36V
*	56470433	1	Carbon Brush Set
*	56393790	2	Limit Switch
24	56397279	1	Weldment, Actuator Mount
25	56397285	1	Link
26	56397286	2	Spacer
27	56397349	1	Squeegee Assembly ( <b>ConvertaMAX™ 34</b> ) (see associated pages)
	56397227	1	34 Squeegee Assembly ( <b>I-MAX™ 34HD</b> ) (see associated pages)
28	56397356	1	Mounting Plate Weldment

\* = Not Shown



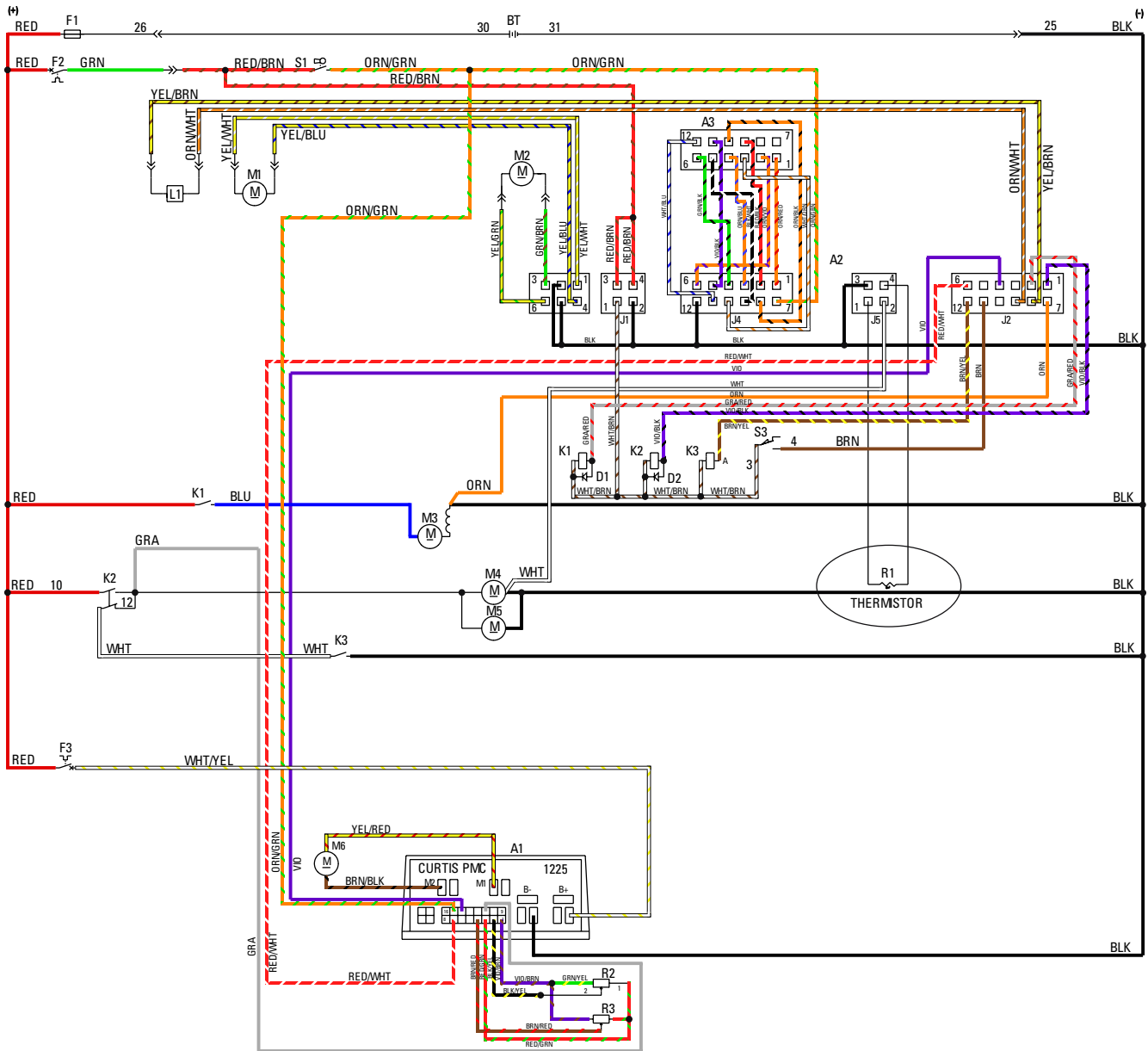
Item	Ref. No.	Qty	Description
1	56002807	4	Scr, Hex Hd SS 1/4-20 x .75
2	56002850	14	Nut, Hex Nyl Loc-Thin SS 1/4-20
3	56002859	2	Wsh, Fit SAE SS 1/4
4	56002901	4	Scr, Hex Hd SS 1/4-20 x 1.50
5	56002909	2	Scr, Pan Phil SS 6-32 x .38
6	56002964	2	Nut, Hex Nyl Loc-Thin SS 6-32
7	56009048	2	Nut, Wing Loc 1/4-20
8	56324350	2	Wheel
9	56324499	2	Wheel 3.00
10	56370711	2	Nut, Thumb
11	56471194	1	Latch Assembly
12	56471220	4	Bushing .25 x .37 x 1.0
13	56397353	1	Strap, Rear
14	56397354	1	Strap, Front
15	56397355	1	Strap, Rear
16	56397359	1	Squeegee Tool Weldment
17	56397362	1	Blade, Front ( <b>ConvertaMAX™ 34</b> )
	56397089	1	Blade, Front ( <b>I-MAX™ 34HD</b> )
18	56397363	1	Blade, Rear ( <b>ConvertaMAX™ 34</b> )
	56397091	1	Blade, Rear ( <b>I-MAX™ 34HD</b> )
19	56409656	2	Bracket, Wheel
**	56397094	1	Blade Kit (Gum) (contains one 56397363 & 56397362)
**	56397106	1	Blade Kit (Linatex) (contains one 56397091 & 56397089)
**	56397147	1	Blade, Front-Tile Gum
**	56397148	1	Blade, Front-Tile Linatex
**	56397595	1	Blade, Kit – Oil Resistant

\*\* = Optional



Item	Ref. No.	Qty	Description
1	56014601	1	Decal, Caution
2	56015370	4	Decal, Tie Down
3	56016410	2	Decal, 34 Commercial ( <b>ConvertaMAX™ 34</b> )
	56016412	2	Decal, 34 Industrial ( <b>I-MAX™ 34HD</b> )
4	56016413	1	Decal, Battery Wiring
5	56016451	1	Decal, Circuit Breaker
6	56016320	1	Decal, Electrical Schematic





Item	Ref. No.	Qty	Description
A1	56397252	1	Controller, 36V
A2	56397211	1	Control Assy
A3	56397259	1	Display Panel Assembly
BT	N/A		Battery (36V system)
D1	56389265	1	Diode
D2	56389265	1	Diode
F1	56412089	1	Fuse, 150 Amp
F2	56387316	1	Circuit Breaker 10 Amp <b>(Control Circuit)</b>
F3	56452193	1	Circuit Breaker 40 Amp <b>(Wheel Drive)</b>
K1	56395450	1	Contacto, 36 VDC <b>(Vac Motor)</b>
K2	56397250	1	Contacto, 36V, SPDT <b>(Brush Motor)</b>
K3	56416157	1	Relay, SPST, 36V <b>(Brush Remove)</b>
L1	56397215	1	Solenoid Valve
M1	56393303	1	Actuator, Motor <b>(Brush Lift)</b>
*	56470433	1	Carbon Brush Set
*	56393790	2	Limit Switch
*	56388520	1	Plastic Drive Nut
M2	56397230	1	Actuator, Motor <b>(Squeegee Lift)</b>
*	56470433	1	Carbon Brush Set
*	56393790	2	Limit Switch
M3	56397228	1	Motor, Vac 36VDC
*	56212223	1	Carbon Brush Set
M4	56635645	1	Motor & Gear Assy, 36VDC, .75HP <b>(Brush Drive / ConvertaMAX™ 34)</b>
	56397296	1	Motor & Gear Assy, 36VDC, 1.0HP <b>(Brush Drive / I-MAX™ 34HD)</b>
M5	56635645	1	Motor & Gear Assy, 36VDC, .75HP <b>(Brush Drive / ConvertaMAX™ 34)</b>
	56397296	1	Motor & Gear Assy, 36VDC, 1.0HP <b>(Brush Drive / I-MAX™ 34HD)</b>
M6	56397316	1	Motor & Gear Assy, 36VDC, .75HP <b>(Wheel Drive)</b>
R1		1	Thermistor <b>(part of Cable Assy 56397297)</b>
R2	56397029	1	Potentiometer, 5K <b>(Forward / Reverse)</b>
R3	56396197	1	Potentiometer, 100K <b>(Speed Control)</b>
S1	56396188	1	Switch, Key
*	56396189	A/R	Replacement Key
S3	56263174	1	Switch, Snap SPDT <b>(Squeegee Reverse)</b>
10	56396194	1	Cable Assembly 4 AWG
12	56396193	1	Cable Assembly 4 AWG
*	56396234	1	Harness, Handle Wiring
*	56396183	1	Harness, Main Wiring
*	56372673	12	Boot, Battery Post
*	56456460	4	Cable Assembly <b>(Battery Cable)</b>
*	56416445	2	Cable Assembly <b>(Battery Cable)</b>
*	56398000	1	Connector Assembly <b>(TSBUS2003-841) (Connects to Batteries)</b>
*	56398001	1	Connector Assembly <b>(Connects to Machine)</b>
***	56397090	1	Bearing B.E.
***	56397135	1	Bearing F.E.
***	56397048	1	Brush Board Assy, W/Springs & Brushes
***	56397138	4	Brush Spring
***	56039276	4	Brush Assy

\* = Not Shown

\*\*\* = Replacement Parts for 56635645 & 56397296

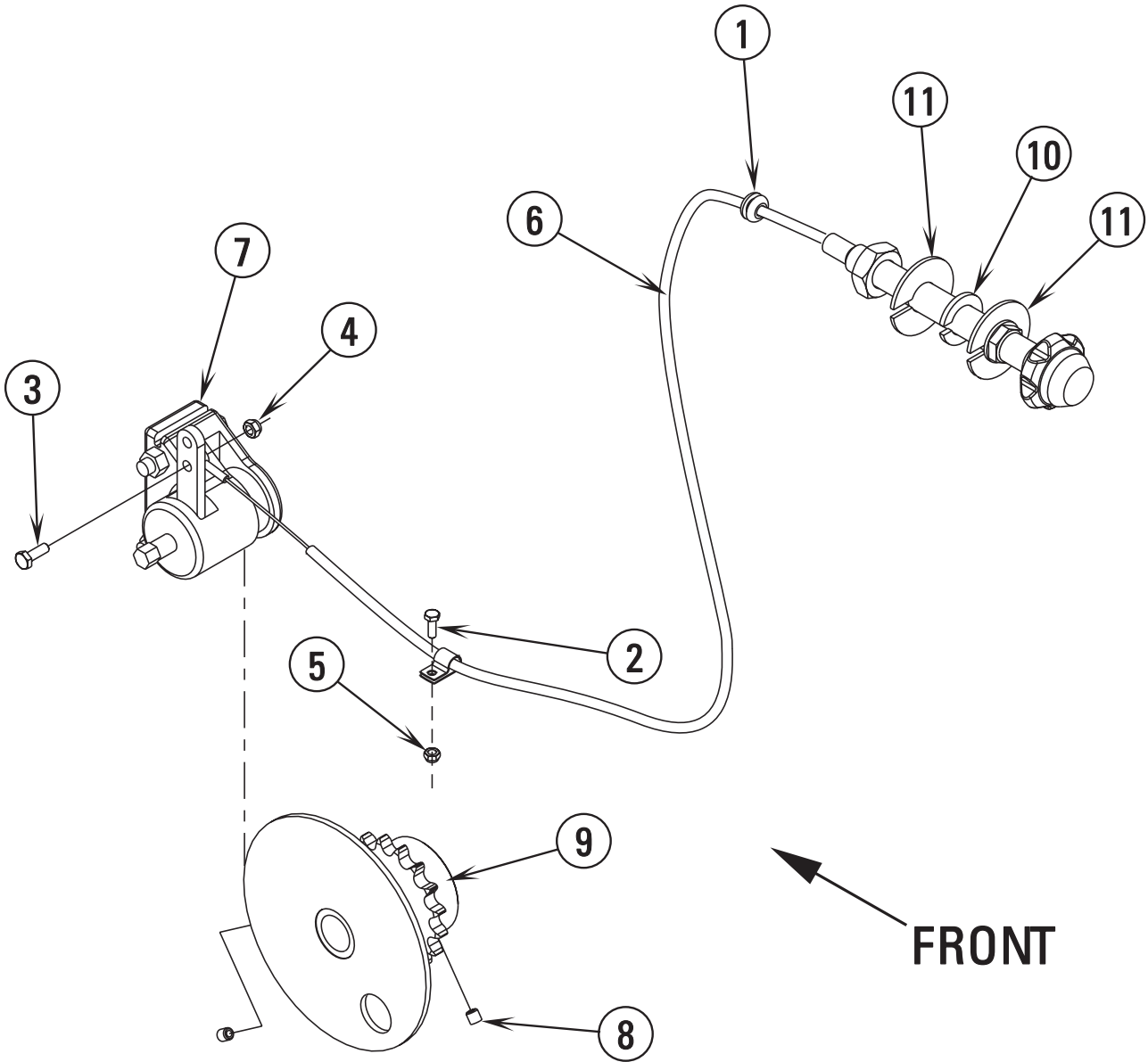
PARKING BRAKE KIT

02-3

26

ConvertaMAX™ 34 / I-MAX™ 34HD

02-11



02-3

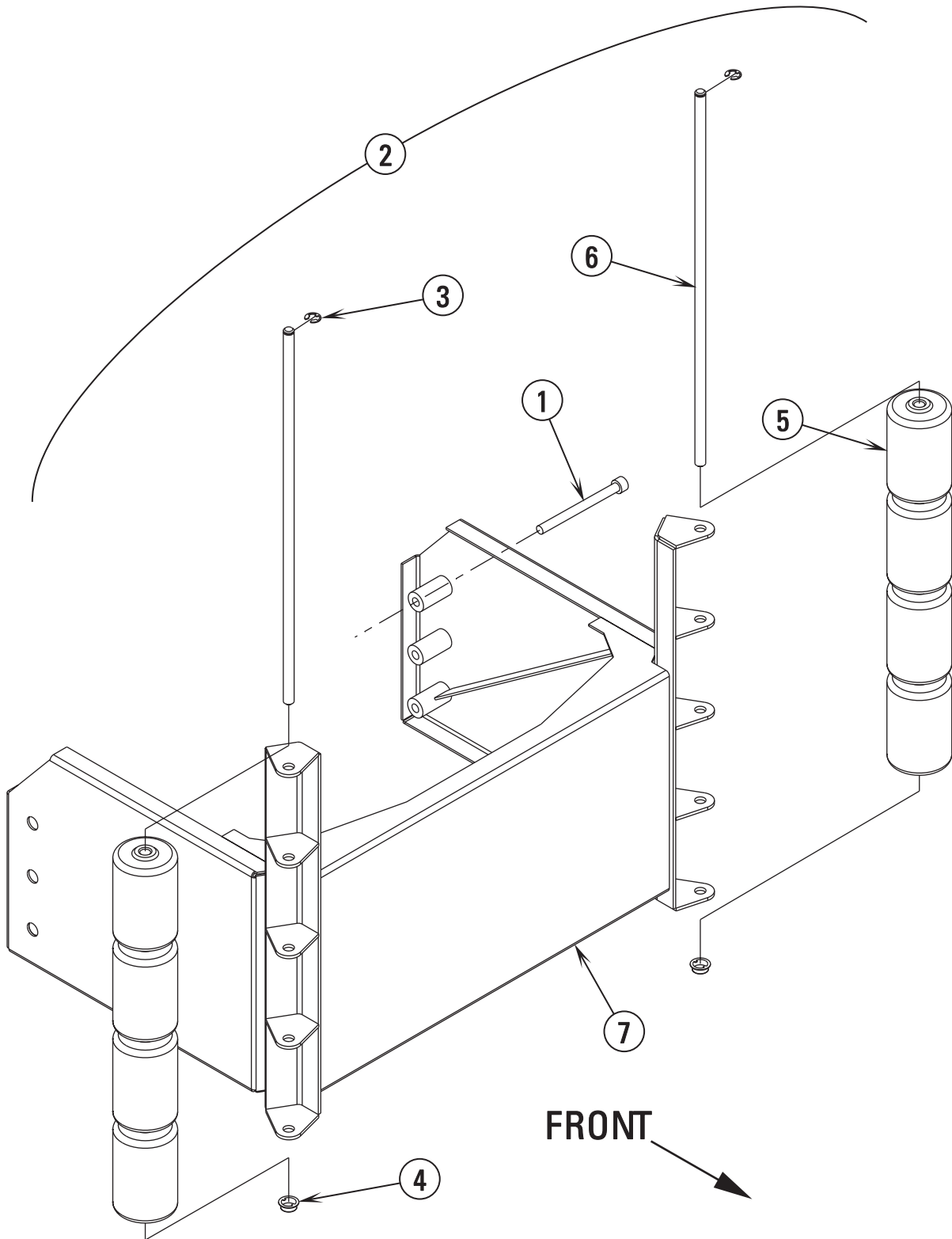
**PARKING BRAKE KIT**

02-11

**ConvertaMAX™ 34 / I-MAX™ 34HD****27**

Item	Ref. No.	Qty	Description
	56396323	1	Kit, Parking Brake
1	56321559	1	Grommet
2	56002503	1	Scr, Hex Hd 10-24 x .50
3	56003358	1	Scr, Hex M6-1.00 x 25mm
4	56003403	1	Nut, Hex Nyl Loc M6-1.00
5	56002768	1	Nut, Hex Nyl Loc 10-24
6	56056323	1	Cable, Brake Assembly
7	56056245	1	Brake, Mechanical Caliper
8	56001826	2	Scr, Soc Set Loc 5/16-18 x .50
9	56396036	1	Sprocket Weldment
10	56396329	1	Plate, Brake Align
11	56396328	2	Plate, Brake Mount
*	56040768	1	Instruction Sheet

\* = Not Shown



02-3

**HIGH TOWER ROLLER BUMPER KIT**

02-11

**ConvertaMAX™ 34 / I-MAX™ 34HD****29**

Item	Ref. No.	Qty	Description
	56396322	1	Kit, Industrial Bumper
1	56002134	6	Scr, Soc Hd 3/8-16 x 2.25
2	56397239	1	Assembly, Industrial Bumper (#3-7)
3	56003264	2	Ring, Ret Ext Type E .50 Dia
4	56009097	2	Nut, Push Cap 1/2
5	56392102	8	Roller
6	56392809	2	Rod
7	56397245	1	Industrial Bumper Weldment
*	56040767	1	Instruction Sheet

\* = Not Shown



Nilfisk-Advance, Inc.  
14600 21st Avenue North  
Plymouth, MN, 55447-3408  
[www.nilfisk-advance.com](http://www.nilfisk-advance.com)  
Phone: 800-989-2235  
Fax: 800-989-6566  
©2002 Nilfisk-Advance, Inc.,  
Plymouth, MN 55447-3408  
Printed in the U.S.A.