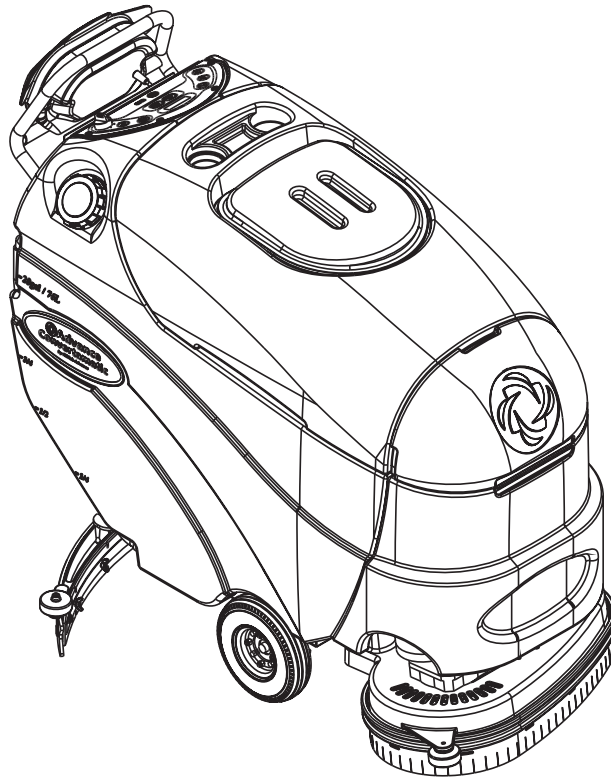


Convertamatic™ 24D, 26D, 28D

Convertamatic™ 24C, 26C, 28C



Parts List

Advance Models 56315000(24D-C), 56315001(26D), 56315002(28D),
56315003(24C-C), 56315004(28D-C), 56315005(28C-C),
56315006(X24D-C), 56315007(X24C-C), 56315008(26D-C),
56315009(X26D-C), 56315010(26C-C), 56315011(X26C-C),
56315012(X28D-C), 56315013(X28C-C)



Advance

by Nilfisk-Advance

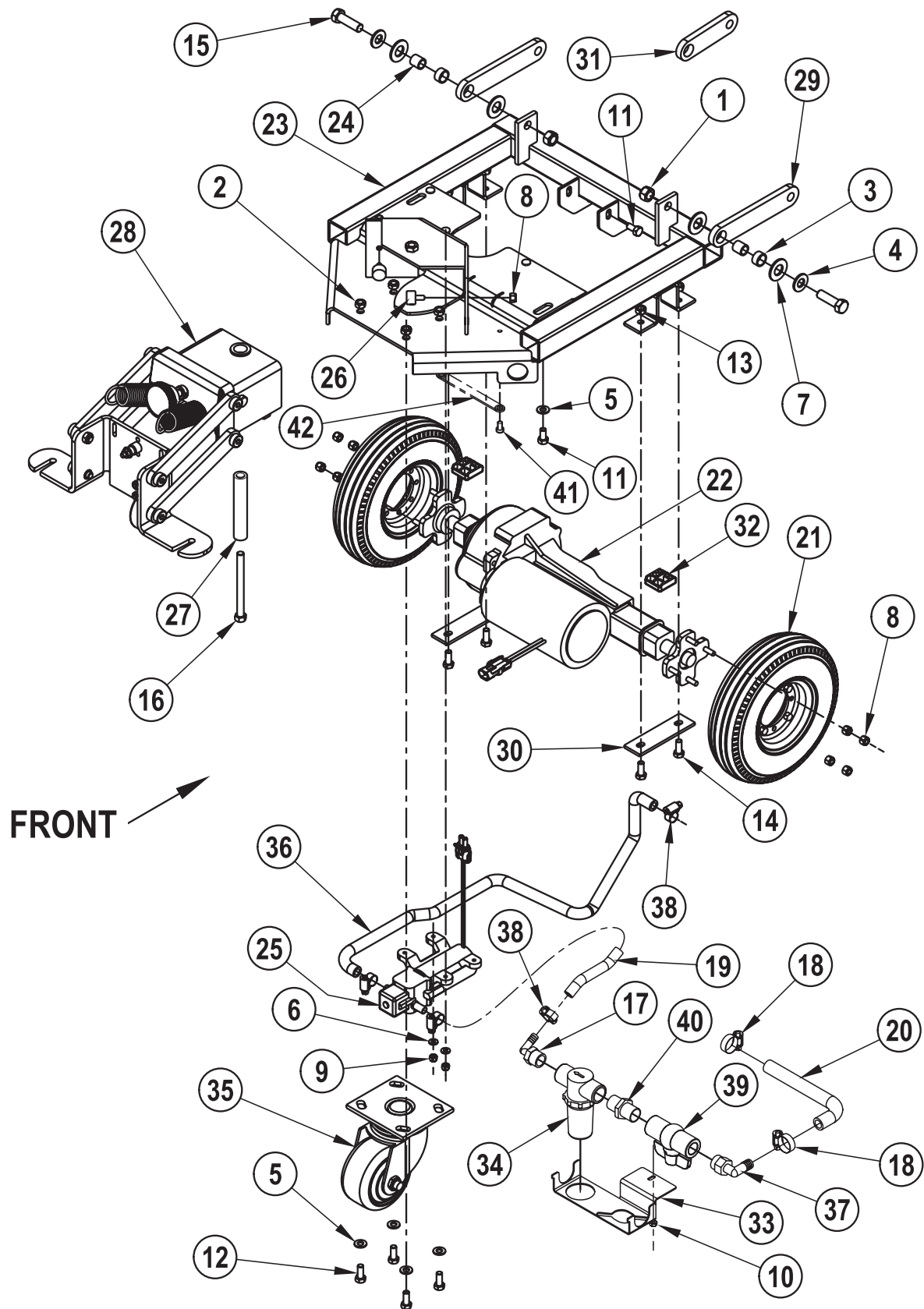
11/04 revised 7/05 FORM NO. 56042451

DESCRIPTION	PAGE
Chassis System	2-3
Squeegee Linkage Assembly	4-5
Decal System.....	6-7
Recovery System.....	8-9
Scrub System-Disk	10-11
Scrub System-Cylindrical.....	12-13
Solution System / Electrical-1	14-15
Solution System / Electrical-2	16-17
Chemical Assembly (AXP Models Only)	18-19
Paddle Assembly	20-21
Squeegee Assembly	22-23
Wiring Diagram	24-25
Optional Kits & Accessories.....	26
Brush Selector Guide-Disk	27
Brush Selector Guide-Cylindrical	28
Extended Scrub Kit.....	30-31
Squeegee Wand Kit.....	32-33
Optional Deck Kits	34-36

WHEN ORDERING PARTS

- * Use the 8 digit numbers from the "Ref. No." columns in this parts list.
- * Specify the model and serial number of the machine.
- * Use the space below to record the model and serial number for future reference.

Model _____ Serial No. _____



04-11

CHASSIS SYSTEM

05-4

Convertamatic™ 24C, 24D, 26C, 26D, 28C, 28D**3**

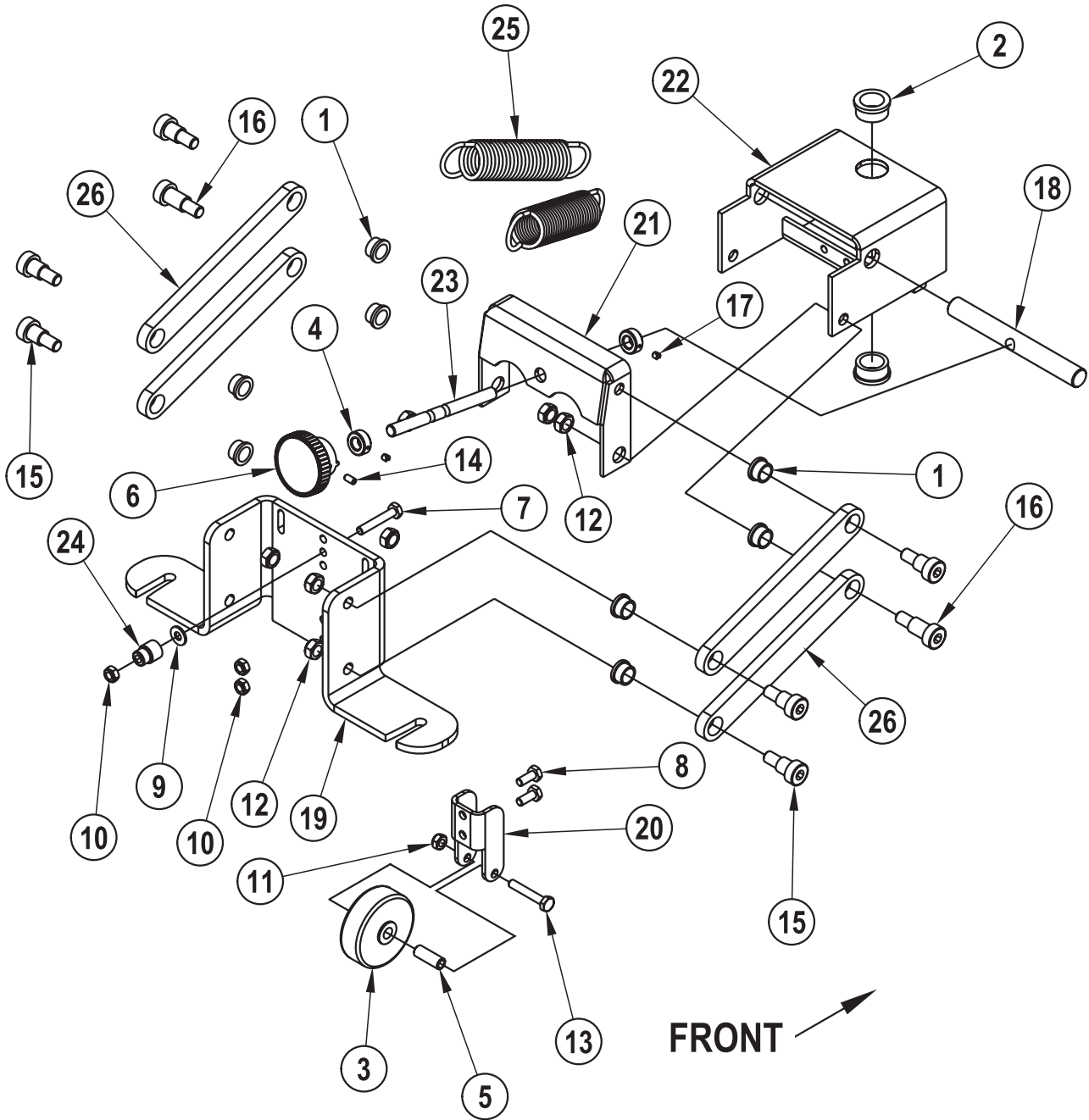
Item	Ref. No.	Qty	Description
1	56003312	2	Nut, Hex Nyl Loc M12-1.75
2	56003389	4	Nut, Hex Nyl Loc M8-1.25
3	56370878	2	Bearing, Sleeve
4	56001879	2	Wsh, Flt SAE 1/2
5	56001939	6	Wsh, Flt SAE 5/16
6	56001954	2	Wsh, Flt SAE #10
7	56002022	4	Wsh, Flt SAE 5/8
8	56002708	10	Nut, Hex Nyl Loc 1/4-20
9	56002768	2	Nut, Hex Nyl Loc 10-24
10	56002832	1	Nut, Hex Nyl Loc-Thin 10-24
11	56002988	3	Scr, Hex Hd SS 5/16-18x.62
12	56003179	4	Scr, Hex Thd To Hd M8-1.25x20mm
13	56003405	4	Nut, Hex Nyl Loc SS M8x1.25
14	56003435	4	Scr, Hex Hd SS 8-1.25x20mm
15	56003637	2	Scr, Hex M12-1.75x40mm
16	56009241	1	Scr, Hex Hd 3/8-16x4.25
17	56900033	1	Barb, 90 Elbow 3/8 X 1/2 Npt
18	56219932	2	Clamp, Hose SAE #6
19	56379107	1	Hose, Pvc .375
20	56262180	1	Hose, Spiral .500
21	56315050	2	Wheel, Pneumatic
22	56315062	1	Transaxle, 24v (M1)
*	56315377	1	Motor
*	56315378	4	Carbon Brush
*	56315379	2	Neoprene Mounting Sleeve
23	56315076	1	Weldment, Chassis TSBUS2005-895
24	56315080	2	Bushing
25	56315108	1	Pump, 24vdc (M7)
26	56315111	2	Cylindrical Mount
27	56315154	1	Bushing, Spacer
28	56315165	1	Assembly, Squeegee Linkage
29	56315179	2	Linkage Arm
30	56315234	2	Plate
31	56315239	1	Linkage Arm,
32	56315258	2	Shim
33	56315260	1	Bracket, Filter Mount
34	56315296	1	Solution Filter
35	56365555	1	Caster Swivel 4.0x2.0
36	56391802	1	Hose, Spiral .375
37	56409152	1	Barb, 90 Elbow 1/2 X 1/2npt
38	56756364	4	Clamp, Hose SAE #4
39	56315607	1	Ball Valve
40	56412182	1	Nipple, Hex 3/4-14
41	56009051	1	Scr, Pan Phil Thd Form 8-32 x .38
42	56467544	1	Chain

SQUEEGEE LINKAGE ASSEMBLY

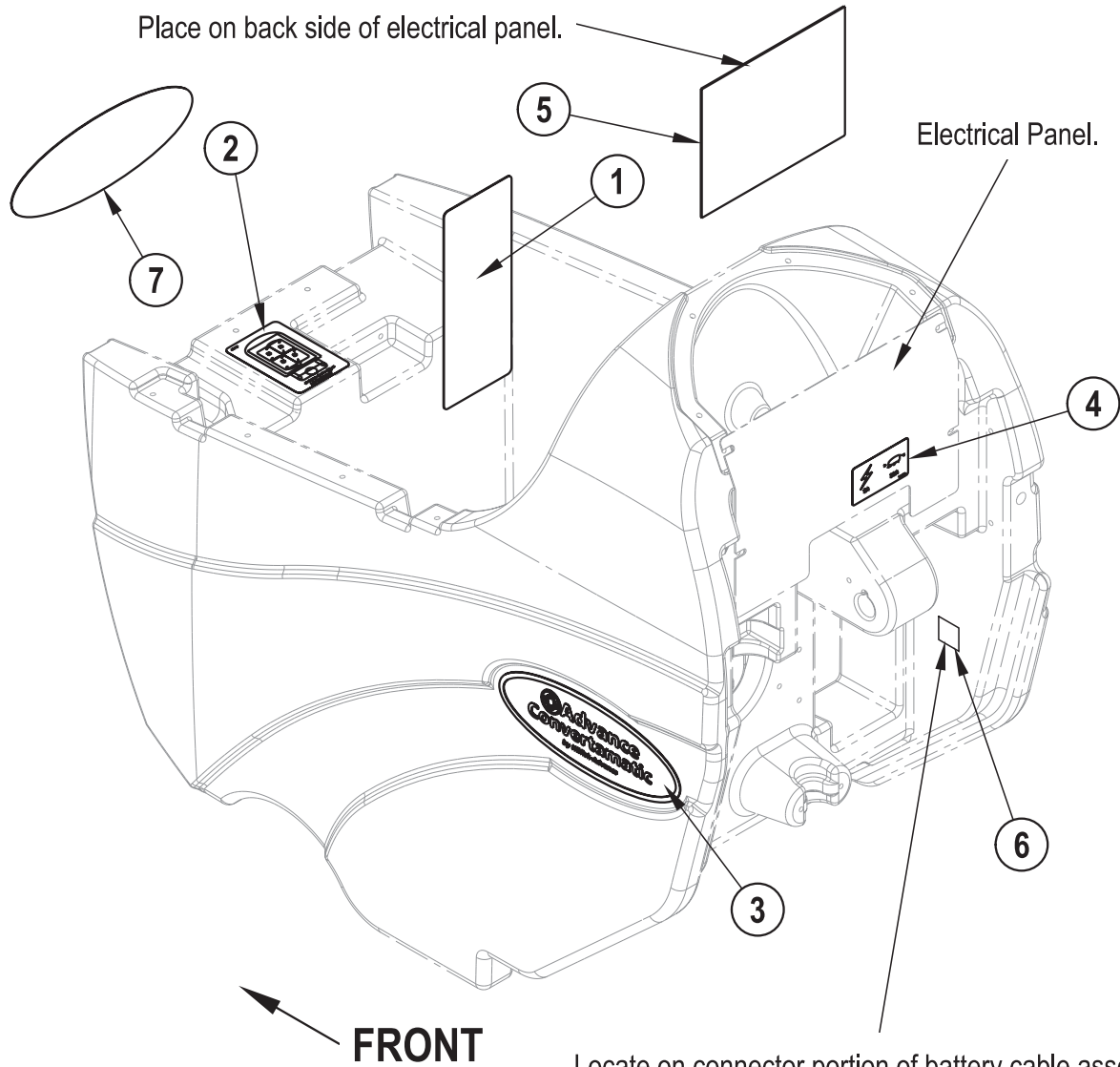
04-11

4

Convertamatic™ 24C, 24D, 26C, 26D, 28C, 28D



Item	Ref. No.	Qty	Description
	56315165	1	Squeegee Linkage Assembly
1	56185264	8	Bearing, Flange
2	56250414	2	Bearing, Flange
3	56324350	1	Wheel
4	56331076	2	Collar
5	56471220	1	Bushing
6	56475480	1	Knob
7	56001833	1	Scr, Hex Hd 1/4-20x1.50
8	56001836	2	Scr, Hex Hd 1/4-20x.62
9	56002098	1	Wsh, Flt SAE 1/4
10	56002840	3	Nut, Hex Nyl Loc-Thin 1/4-20
11	56002850	1	Nut, Hex Nyl Loc-Thin SS 1/4-20
12	56002852	8	Nut, Hex Nyl Loc-Thin SS 3/8-16
13	56002901	1	Scr, Hex Hd SS 1/4-20x1.50
14	56003123	1	Scr, Soc Set 10-24x.38
15	56003682	6	Scr, Soc Shd .50 X .50 X 3/8-16
16	56003692	2	Scr, Soc Shd .50 X .75 X 3/8-16
17	56009084	2	Scr, Soc Set Loc 10-24x.19
18	56315082	1	Pin
19	56315151	1	Bracket, Squeegee Mount
20	56315153	1	Bracket, Wheel
21	56315180	1	Bracket, Squeegee Level
22	56315196	1	Weldment, Squeegee
23	56315240	1	Rod, Adjustment
24	56315245	1	Bushing, Squeegee Cable
25	56315295	2	Spring, Extension
26	56315338	4	Linkage Arm



Locate on connector portion of battery cable assembly that is connected to the batteries.

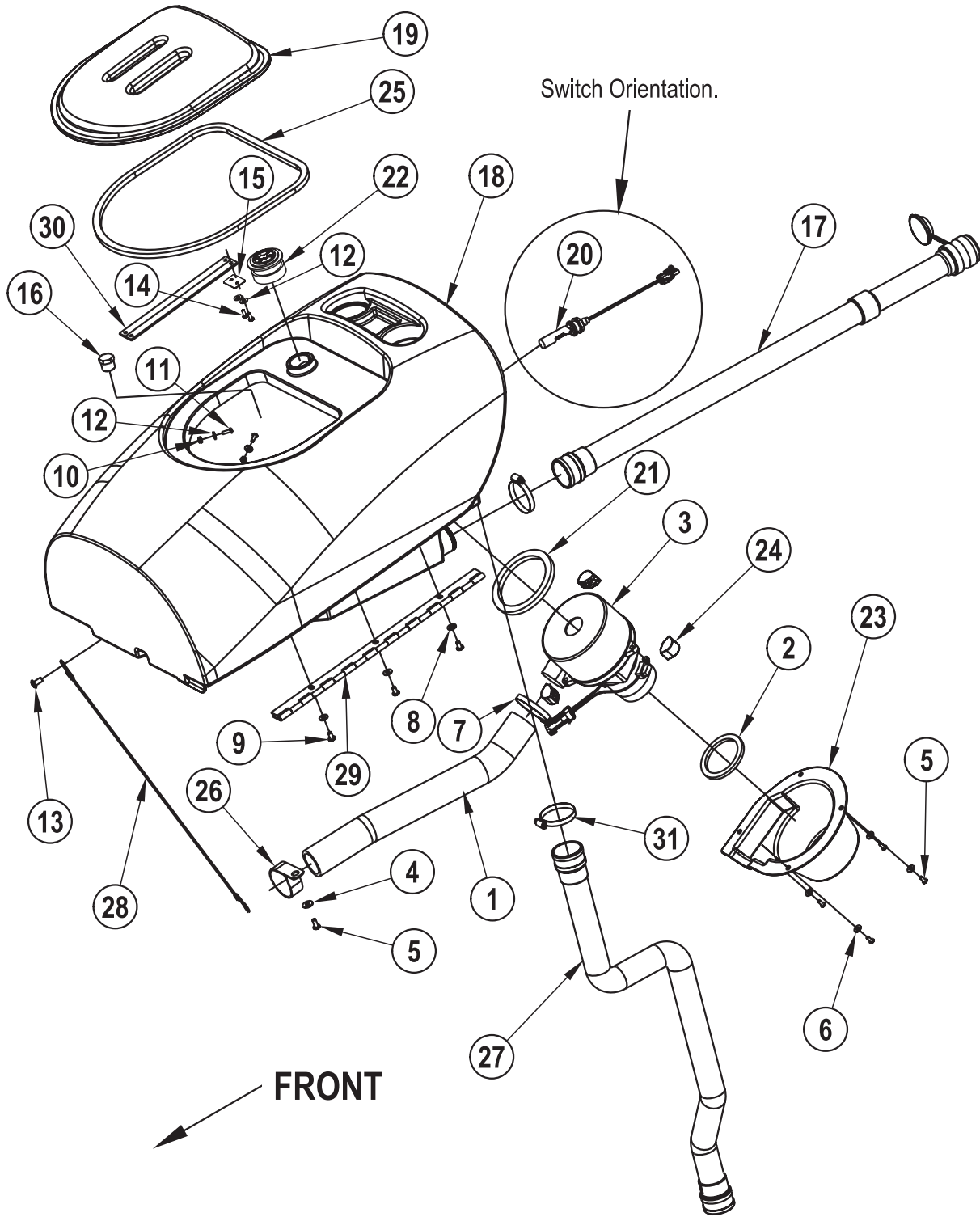
04-11

DECAL SYSTEM

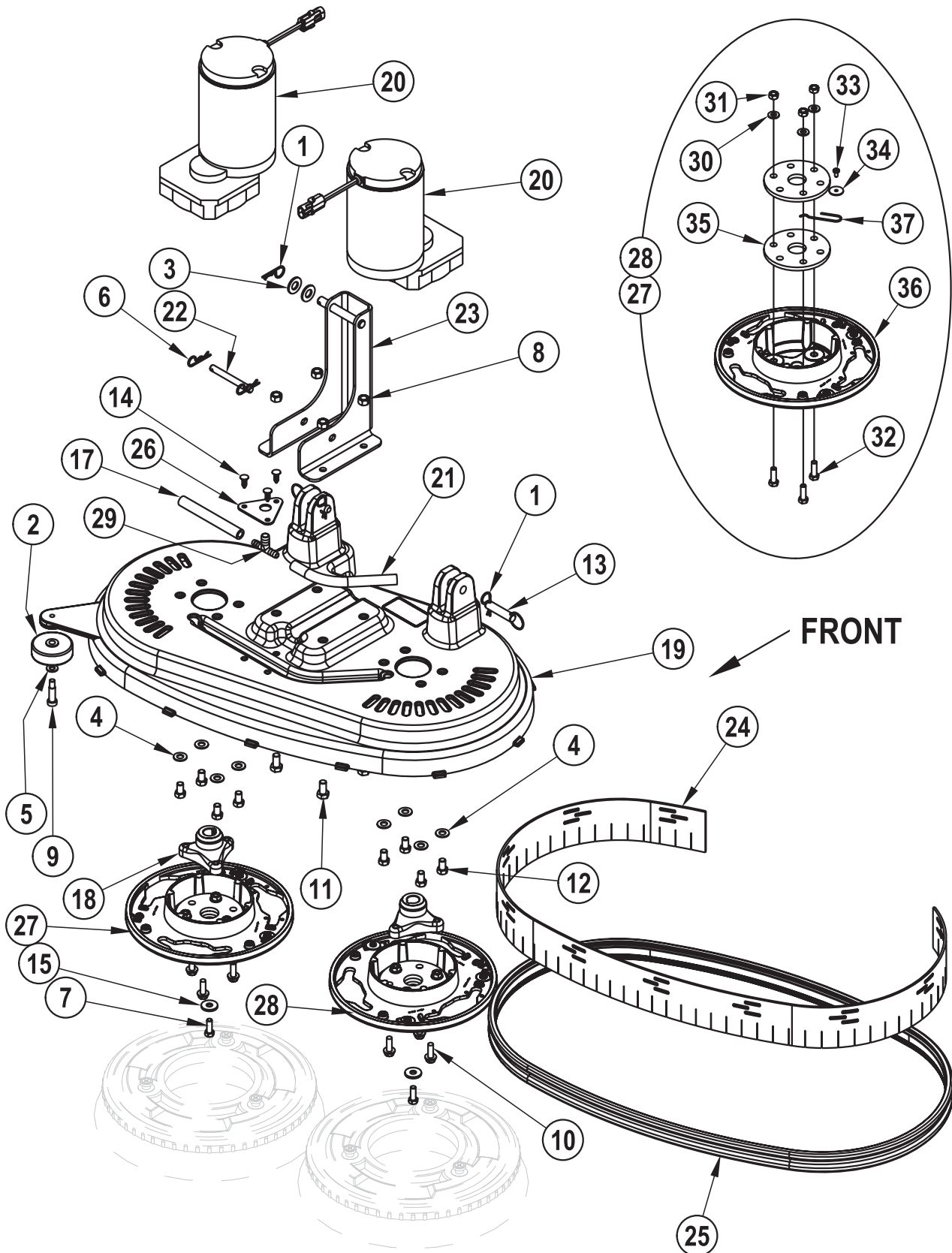
Convertamatic™ 24C, 24D, 26C, 26D, 28C, 28D

7

Item	Ref. No.	Qty	Description
1	56014601	1	Decal, Caution
2	56016688	1	Decal, Battery Wiring
3	56016689	2	Decal, Convertamatic
4	56016690	1	Decal, Circuit Breaker
5	56016691	1	Decal, Ladder Diagram
6	56054192	1	Decal, Charger
7	56016349	1	Decal, AXP



Item	Ref. No.	Qty	Description
1	56315375	1	Foam, Acoustical
2	56412154	1	Gasket, Vacuum Duct
3	56412218	1	Motor, Vac 24vdc (M4)
*	56397098	1	Carbon Brush set of 2
4	56001906	1	Wsh, Flt STD 1/4
5	56001993	5	Scr, Pan Phil 10-24x.50
6	56002053	4	Wsh, Flt STD #10
7	56477613	2	Tie, Cable
8	56002098	3	Wsh, Flt SAE 1/4
9	56002145	3	Scr, Pan Phil 1/4-20x.50
10	56002849	2	Nut, Hex Nyl Loc-Thin SS 10-24
11	56002896	2	Scr, Pan Phil SS 10-24x.62
12	56002919	4	Wsh, Flt STD SS #10
13	56003003	1	Scr, Pan Phil 5/16-18x.62
14	56003633	2	Scr, Pan Phil SS Type B 10-16x.50
15	56315346	1	Plate
16	56305464	1	Plug, 3/4 Hex Pipe
17	56397142	1	Drain Hose
18	56315088	1	Tank, Recovery
19	56315093	1	Cover, Recovery Tank
20	56315096	1	Switch, Electromagnetic (S4)
21	56315098	1	Gasket
22	56315099	1	Screen, Fan Inlet
23	56315102	1	Shroud, Vac Motor
24	56315141	3	Mount, Vibration
25	56315220	1	Gasket, Recovery Lid
26	56315257	1	Clamp, P
27	56315268	1	Vac Hose Assy.
28	56315272	1	Cable Assy
29	56315293	1	Hinge
30	56315303	2	Retaining, Strap
31	56440213	2	Clamp, Hose SAE #32



04-11

SCRUB SYSTEM - DISK

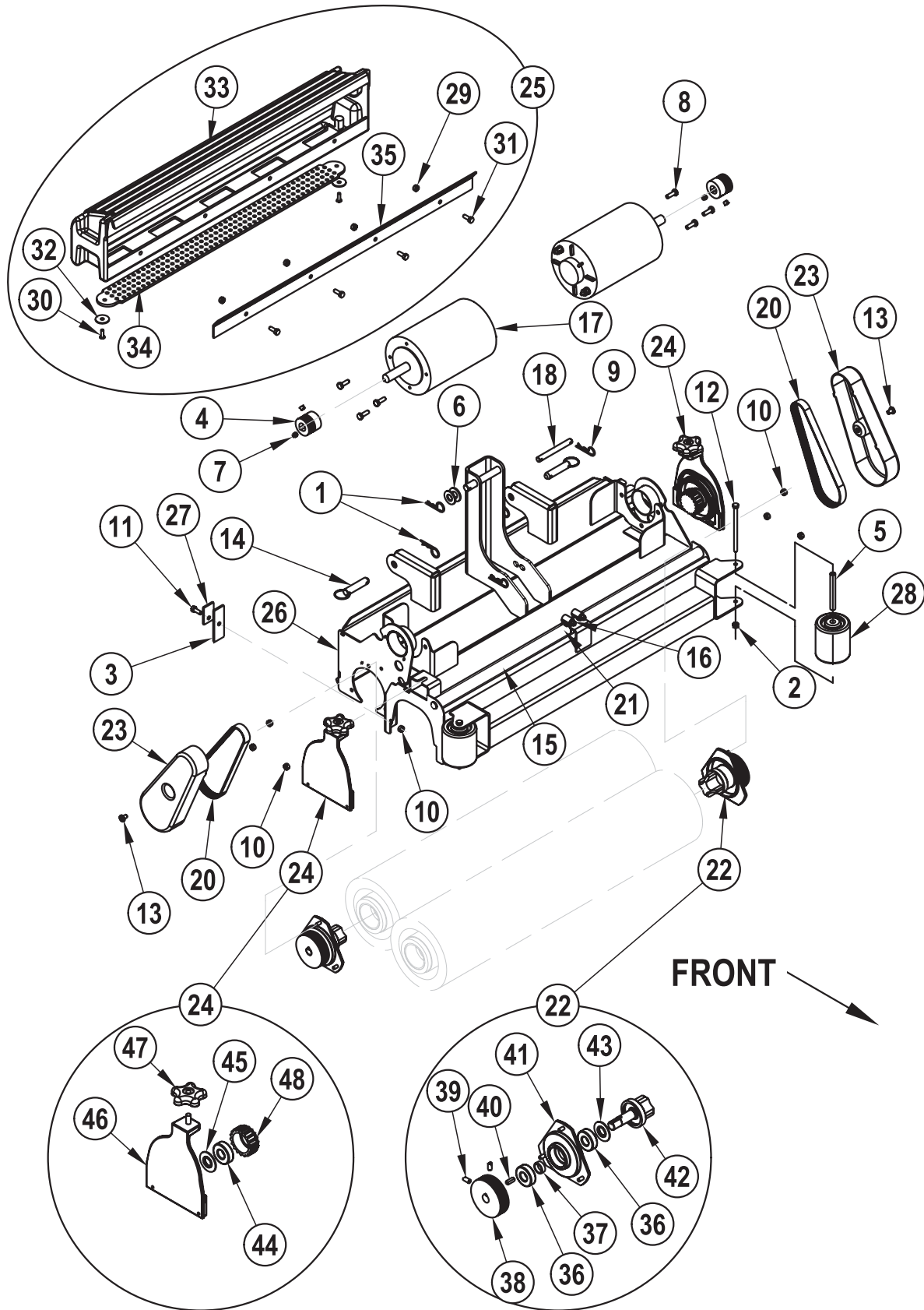
05-03

Convertamatic™ 24C, 24D, 26C, 26D, 28C, 28D

11

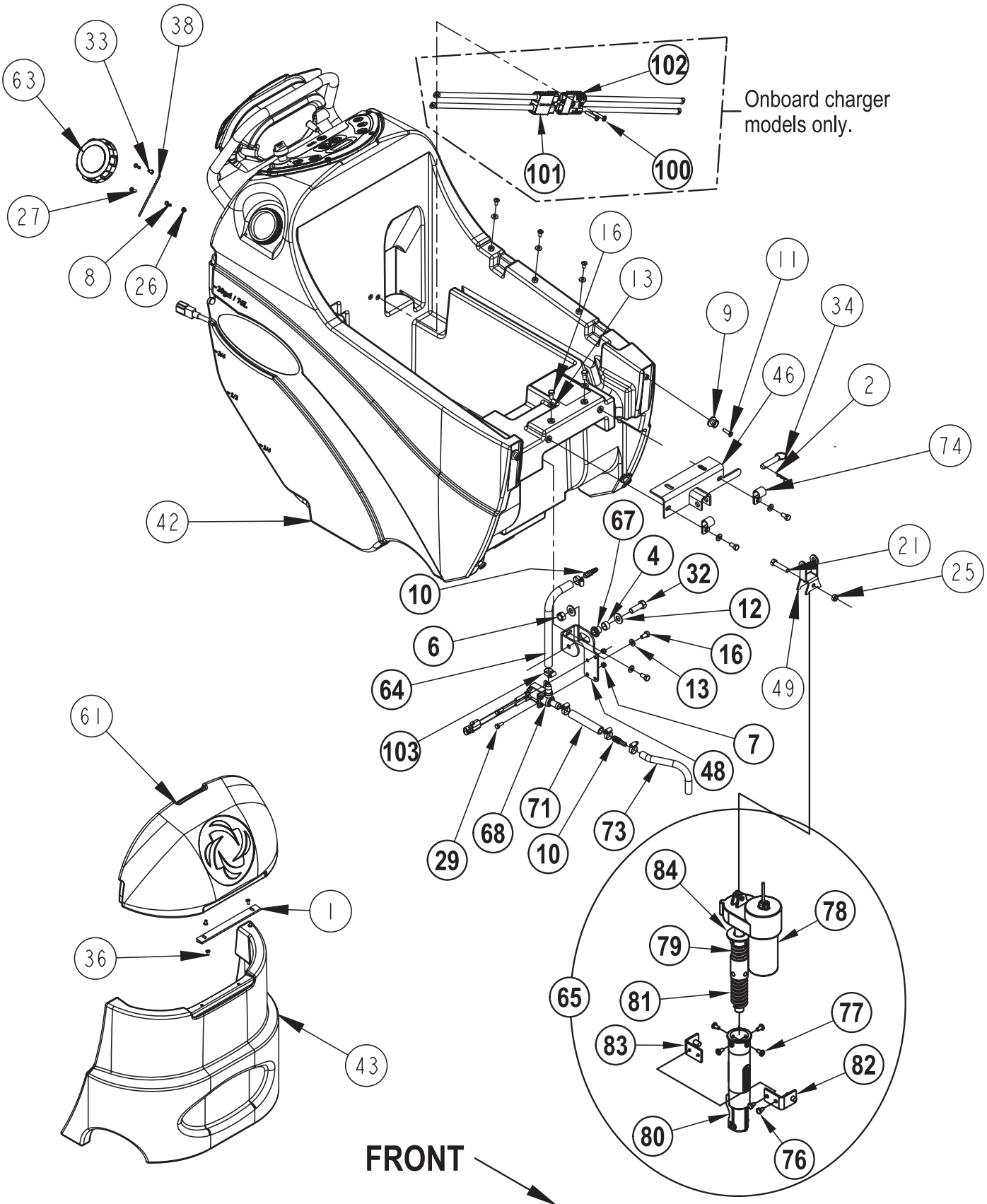
Item	Ref. No.	Qty	Description
1	56002959	3	Pin, Cotter Hair
2	56324350	1	Wheel
3	56001879	2	Wsh, Flt SAE 1/2
4	56002910	8	Wsh, Flt SAE SS 3/8
5	56002938	7	Wsh, Flt SAE SS 5/16
6	56003120	2	Pin, Cotter Hair .0915 X .375
7	56003335	2	Scr Hex Loc SS 5/16-18 X .88
8	56003438	4	Nut, Hex Nyl Loc SS M10x1.5
9	56003472	1	Scr, Soc Shd .38 X 1.00 X 5/16-18
10	56003477	6	Scr, Hex Loc SS M8-1x25mm
11	56003533	4	Scr, Hex Hd SS M10-1.5x20mm
12	56003674	8	Scr Hex Loc SS 3/8-24 X .62
13	56003679	2	Pin, Ring .50 X 1.63
14	56003693	3	Rivet, Nylon Tree Push-In (.218)
15	56009107	2	Wsh, Flt SS .378 X 1.000 X .120
17	56257534	1	Hose, Pvc .375
18	56314031	2	Hub, Drive
19	56315053	1	Scrub Deck , Disc, Cast, (28")
	56315054	1	Scrub Deck , Disc, Cast, (26")
	56315055	1	Scrub Deck , Disc, Cast, (24")
20	56315056	2	Asm, Motor And Gear Unit, .42hp (M2 / M3)
*	56315376	4	Carbon Brush
*	56397138	4	Brush Spring
21	56315060	1	Hose, Pvc .375
22	56315161	1	Pin
23	56315198	1	Weldment, Actuator Bracket
24	56315275	1	Skirt, Rubber (26")
	56315274	1	Skirt, Rubber (24" & 28")
25	56315318	1	Bumper, Extruded (28")
	56315277	1	Bumper, Extruded (26")
	56315276	1	Bumper, Extruded (24")
26	56315339	1	Bracket
27	56396080	1	Lug, Counterclockwise (30-37)
28	56396081	1	Lug, Clockwise (30-37)
29	56315335	1	Tee, Barb (28")
*	56249280	1	Tee, Barb (24" & 26")
30	56002938	3	Wsh, Flt SAE SS 5/16
31	56003405	3	Nut, Hex Nyl Loc SS M8-1.25
32	56003436	3	Scr, Hex Hd SS M8-1.25 x 25mm
33	56009030	1	Scr, Pan Phil Thd Form 10-24 x .38
34	56009096	1	Wsh, Flt .193 x .875 x .060
35	56407053	2	Thermoid Disk
36	56314030	1	Brush Holder
37	56397081	1	Spring Retainer

* = Not Shown



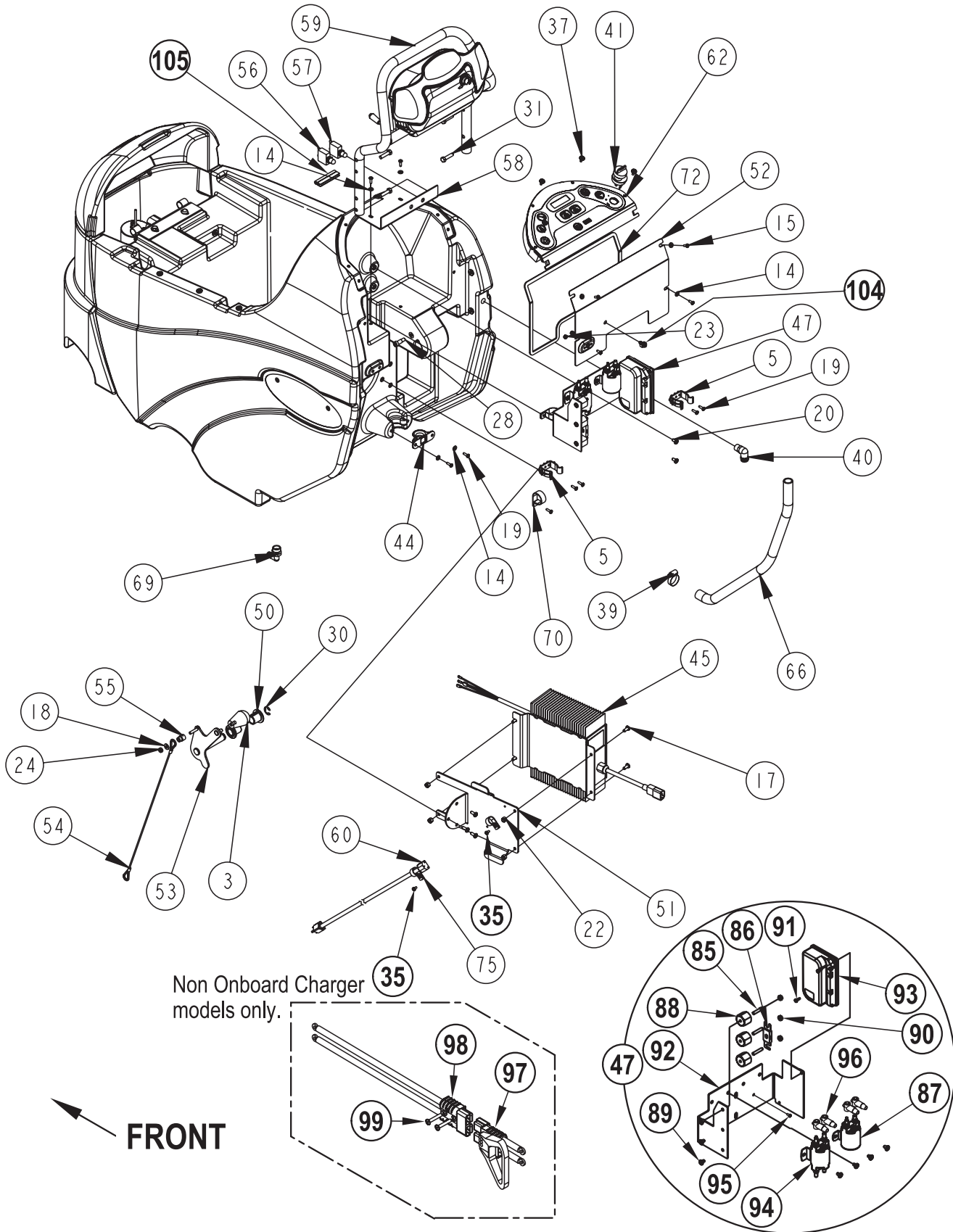
Item	Ref. No.	Qty	Description
1	56002959	3	Pin, Cotter Hair
2	56003403	2	Nut, Hex Nyl Loc M6-1.00
3	56407391	2	Blade
4	56407433	2	Sheave, Poly-V
5	56412176	2	Bushing
6	56001879	6	Wsh, Flt SAE 1/2
7	56002086	4	Scr, Soc Set Loc 5/16-18x.25
8	56002948	6	Scr, Hex Hd Loc 1/4-20x.75
9	56003120	2	Pin, Cotter Hair .0915 X .375
10	56003426	8	Nut, Hex Nyl Loc SS M6x1.0
11	56003431	2	Scr, Hex Hd SS M6-1.0x16mm
12	56003492	2	Scr, Hex M6-1.0x95mm
13	56003603	2	Scr, Pan Phil Thd Form 1/4-20x.38
14	56003679	2	Pin, Ring .50 X 1.63
15	56315355	2	Manifold, PVC (28")
	56315354	2	Manifold, PVC (26")
	56315353	2	Manifold, PVC (24")
16	56219932	2	Clamp, Hose SAE #6
17	56315061	2	Motor, 24 Vdc, .5 Hp, 1800 RPM (M2 / M3)
*	56412287	1	Brush / Spring Kit
18	56315161	1	Pin
19	56315320	2	Harness, Brush
20	56315321	2	Belt, Auto Tension
21	56315335	1	Tee, Barb
22	56315408	2	Drive End Assy (#36-43)
23	56315445	2	Cover, Belt
24	56315448	2	Idler End Assy (#44-48)
25	56315459	1	Hopper Assembly (28" / #29-35)
	56315453	1	Hopper Assembly (26" / #29-35)
	56315403	1	Hopper Assembly (24" / #29-35)
26	56315470	1	Housing, Weld't (28")
	56315469	1	Housing, Weld't (26")
	56315468	1	Housing, Weld't (24")
27	56410214	2	Strap
28	56412459	2	Wheel
29	56003426	4	Nut, Hex Nyl Loc SS M6-1.00
30	56002896	2	Scr, Pan Phil SS 10-24 x .62
31	56003431	4	Scr, Hex Hd SS M6-1.00 x 16mm
32	56009060	2	Wsh, Flt SS .260 x 1.00 x .074
33	56315460	1	Hopper (28")
	56315454	1	Hopper (26")
	56315401	1	Hopper (24")
34	56315464	1	Hopper Screen (28")
	56315462	1	Hopper Screen (26")
	56315319	1	Hopper Screen (24")
35	56315467	1	Hopper Bracket (28")
	56315466	1	Hopper Bracket (26")
	56315465	1	Hopper Bracket (24")
36	56106070	2	Bearing, Ball
37	56407389	1	Spacer
38	56407442	1	Sheave, Poly-V
39	56002119	2	Scr, Soc Set Loc 1/4-20 x .50
40	56003237	1	Key, Sq. .19 x .62
41	56315405	1	Bearing Plate
42	56407557	1	Spindle
43	56407558	1	Washer, Bearing
44	56106070	1	Bearing, Ball
45	56407558	1	Washer, Bearing
46	56315447	1	Idler Bearing Plate
47	56396254	1	Knob
48	56407551	1	Hub

* = Not Shown



04-11	SOLUTION SYSTEM / ELECTRICAL-1		
05-02	Convertamatic™ 24C, 24D, 26C, 26D, 28C, 28D		15

Item	Ref. No.	Qty	Description
1	56315285	1	Hinge
2	56002959	1	Pin, Cotter Hair
4	56370878	1	Bearing, Sleeve
6	56003312	1	Nut, Hex Nyl Loc M12-1.75
7	56003403	2	Nut, Hex Nyl Loc M6-1.00
8	56311057	2	Coupler, Chain
9	56365777	4	Lug, Brush Driver
10	56418669	2	Reducer, Barb
11	56001832	4	Scr, Flt Phil 1/4-20x1.00
12	56001879	2	Wsh, Flt SAE 1/2
13	56001939	6	Wsh, Flt SAE 5/16
16	56002035	6	Scr, Hex Hd 5/16-18x.62
21	56002684	1	Scr, Hex Hd 3/8-16x1.75
25	56002841	1	Nut, Hex Nyl Loc-Thin 3/8-16
26	56002849	1	Nut, Hex Nyl Loc-Thin SS 10-24
27	56002894	1	Scr, Pan Phil SS 10-24x.75
29	56003174	2	Scr Hex Thd To Hd M6-1.0x16mm
32	56003415	1	Scr, Hex M12-1.75x35mm
33	56003633	1	Scr, Pan Phil SS Type B 10-16x.50
34	56003679	1	Pin, Ring .50 X 1.63
36	56009139	4	Scr, Pan Phil Loc 10-24x.38
38	56212242	1	Chain
42	56315089	1	Tank, Solution
43	56315104	1	Nose Cone, 24-26 Commercial
46	56315130	1	Weldment, Actuator Mount
48	56315186	1	Bracket, Linkage Pivot
49	56315191	1	Yoke, Actuator
61	56315284	1	Cover, Chemical Bottle
63	56315517	1	Cap, Raw
64	56387302	1	Spiral, Hose X .500
65	56396049	1	Lift Actuator Assembly (76-84)
67	56315380	1	Bushing
68	56397203	1	Solenoid Valve Assy. (L1)
71	56412276	1	Hose, Spiral .500
73	56456830	1	Spiral, Hose X .375
74	56469380	2	Clamp, P
76	56009019	2	Scr, Hex Thd Form 1/4-20 X .38
77	56009062	4	Scr, Pan Phil Thd Form 1/4-20 X .50
78	56393303	1	Actuator, Motor (M5)
79	56412071	1	Compression Spring
80	56412262	1	Housing, Spring
81	56420018	1	Compression Spring
82	56420019	1	Nut Retainer
83	56420020	1	Nut Retainer
84	56396268	1	Spring Housing Guide
100	56002786	2	Scr, Pan Phil 1/4-20 x 1.50 (onboard charger only)
101	56397188	1	Connector Assy (connected to batteries / onboard charger only)
102	56397187	1	Connector Assy (connected to machine / onboard charger only)
103	56219932	5	Clamp, Hose SAE #6

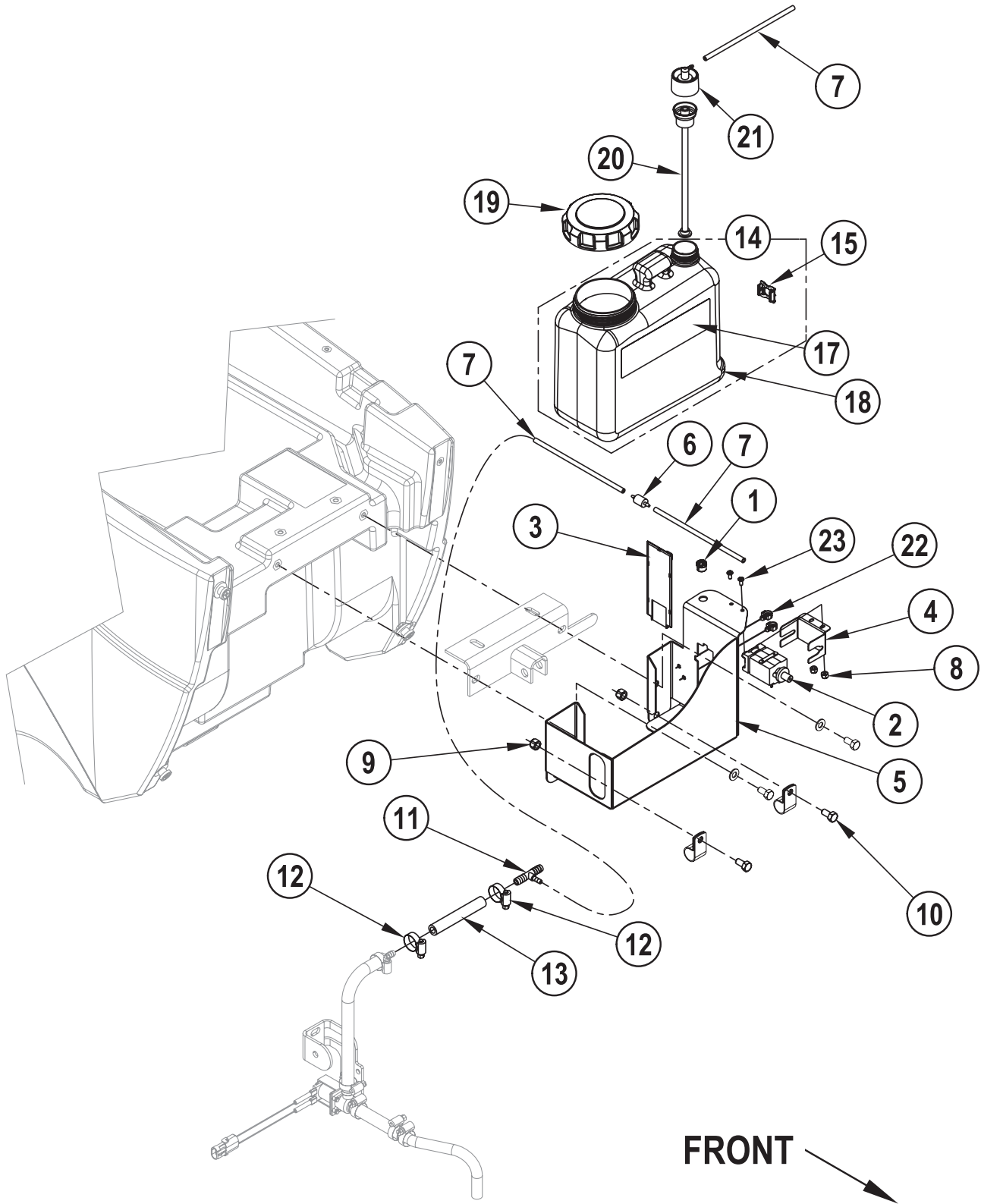


Item	Ref. No.	Qty	Description
3	56364527	1	Knob
5	56407361	2	Clamp, Plastic
14	56001954	8	Wsh, Flt SAE #10
15	56001993	4	Scr, Pan Phil 10-24x.50
17	56002066	7	Scr, Pan Phil 1/4-20x.62 (Onboard Charger Only)
18	56002098	4	Wsh, Flt SAE 1/4
19	56002124	14	Scr, Pan Phil 10-24x.62
20	56002145	5	Scr, Pan Phil 1/4-20x.50
22	56002708	4	Nut, Hex Nyl Loc 1/4-20 (Onboard Charger Only)
23	56002832	2	Nut, Hex Nyl Loc-Thin 10-24
24	56002840	1	Nut, Hex Nyl Loc-Thin 1/4-20
28	56002962	1	Scr, Soc Shd .38 X .62 X 5/16-18
30	56003266	1	Ring, Ret Ext Type E 0.75 Dia
31	56002094	4	Scr, Hex Hd 5/16-18x1.50
35	56009030	2	Scr, Pan Phil Thd Form 10-24x.38 (Onboard Charger Only)
37	56009206	4	Scr, Truss Phil-Blk 10-24x.50
39	56244969	1	Clamp, Hose SAE #12
40	56264442	1	Barb, 90 Elbow 3/4 X 3/8npt
41	56303553	1	Key Switch Assembly
*	56303526	A/R	Set of 2 Replacement Keys
44	56315121	1	Guide, Cable
45	56315124	1	Charger, On-Board 24v
47	56315162	1	Assembly, Electrical Box (85-96) TSBUS2005-897
50	56315193	2	Bushing, Flange
51	56315206	1	Bracket, Charger (Onboard Charger Only)
52	56315222	1	Panel, Electrical
53	56315236	1	Weldment, Squeegee Lift
54	56315243	1	Cable Assy
55	56315245	1	Bushing, Squeegee Cable
56	56315255	1	Circuit Breaker, 5 Amp
57	56315256	1	Circuit Breaker, 30 Amp
58	56315259	1	Plate, Circuit Breaker
59	56315266	1	Assembly, Paddle TSBUS2005-898
60	56315270	1	Charger Cord, Us (Onboard Charger Only)
62	56315297	1	Control Panel Assy (A1) NOTE #1
	56315577	1	Control Panel Assy (A1) NOTE #2
66	56396143	1	Hose, Pvc
69	56409152	1	Barb, 90 Elbow 1/2 X 1/2npt
70	56410166	2	Clamp, P
72	56412285	1	Gasket, Elect. Cover
75	56486112	2	Clamp, P (Onboard Charger Only)
85	56009203	3	Stud, 1/4-20
86	56412089	1	Fuse, 150 Amp (F1)
87	56412179	1	Contacto, 24 Vdc (K2 / Vac Motor)
88	56469858	3	Standoff, Insulated
89	56002462	7	Scr, Pan Phil 1/4-20x.38
90	56002561	3	Nut, Hex W/ Shprf 1/4-20
91	56009031	2	Scr, Pan Phil Thd Form 8-32x.50
92	56315182	1	Panel, Electrical
93	56315294	1	Speed Control (A2)
94	56397088	1	Contacto, 24v Spdt (K1 / Brush Motor)
95	56009051	1	Scr, Pan Phil Thd Form 8-32 x .38
96	56409538	4	Insulator, Terminal
97	56315345	1	Connector Assy (connected to batteries / non onboard charger only)
98	56397187	1	Connector Assy (connected to machine / non onboard charger only)
99	56002825	2	Scr, Pan Phil 1/4-20 x 1.25 (non onboard charger only)
104	56315382	1	Clip, Conduit
105	56315532	1	Gasket

NOTE #1: Order this control panel assy if you have the "Old Pump" voltage reading across the solution pump (M7) leads.

NOTE #2: Order this control panel assy if you have the "New Pump" voltage reading across the solution pump (M7) leads.

	Voltage
Regular Scrub	
Old Pump	7
New Pump	9.56
Heavy Scrub	
Old Pump	11.3
New Pump	13.7
Extreme Scrub	
Old Pump	17
New Pump	19.24



04-11

CHEMICAL ASSEMBLY (AXP MODELS ONLY)

05-6

Convertamatic™ 24C, 24D, 26C, 26D, 28C, 28D

19

Item	Ref. No.	Qty	Description
	56315501	1	Chemical Tank Assy (1-8 & 22-23)
1	56003699	1	Bushing, 1/4 ID Snub
2	56315241	1	Pump, Chemical
3	56315340	1	Circuit Board Assy
4	56315476	1	Bracket, Chemical Pump
5	56315515	1	Bracket, Tank Mounting
6	56315522	1	Check Valve, 1/8 Barb, 125PSI
7	56315524	3	Hose, Chemical Resistant, 7"
8	56002877	2	Nut, Hex Nyl Loc SS 8-32
9	56002701	2	Nut, Hex Nyl Loc 5/16-18
10	56002035	2	Scr, Hex Hd 5/16-18 x .62
11	56315265	1	Tee, Barb
12	56219932	2	Clamp, Hose SAE #6
13	56412187	1	Hose, .38 Spiral
14	56315502	1	Chemical Bottle As (15-18)
15	56315511	1	Indicator Assy
17	56315513	1	Decal, Blank
18	56315500	1	Chemical Tank
19	56315517	1	Cap
20	56315527	1	Insert, Dry Break
21	56315523	1	Cap, Dry Break, 1/8 Barb, 90°
22	56315382	2	Clip, Conduit
23	56003018	2	Scr, Pan Phil SS 8-32 x .38

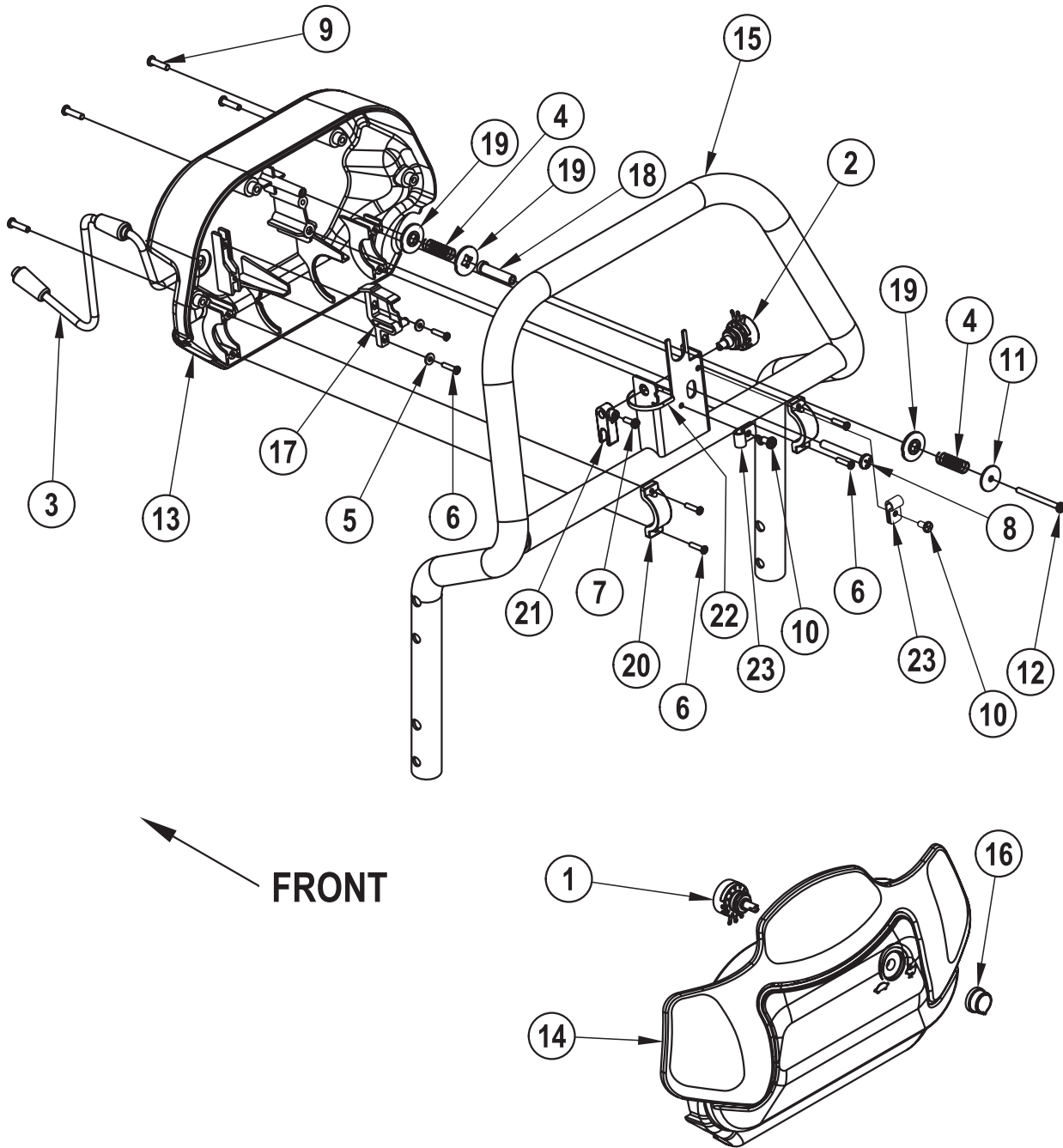
PADDLE ASSEMBLY

04-11

20

Convertamatic™ 24C, 24D, 26C, 26D, 28C, 28D

05-5



04-11	PADDLE ASSEMBLY		
05-5	Convertamatic™ 24C, 24D, 26C, 26D, 28C, 28D		21

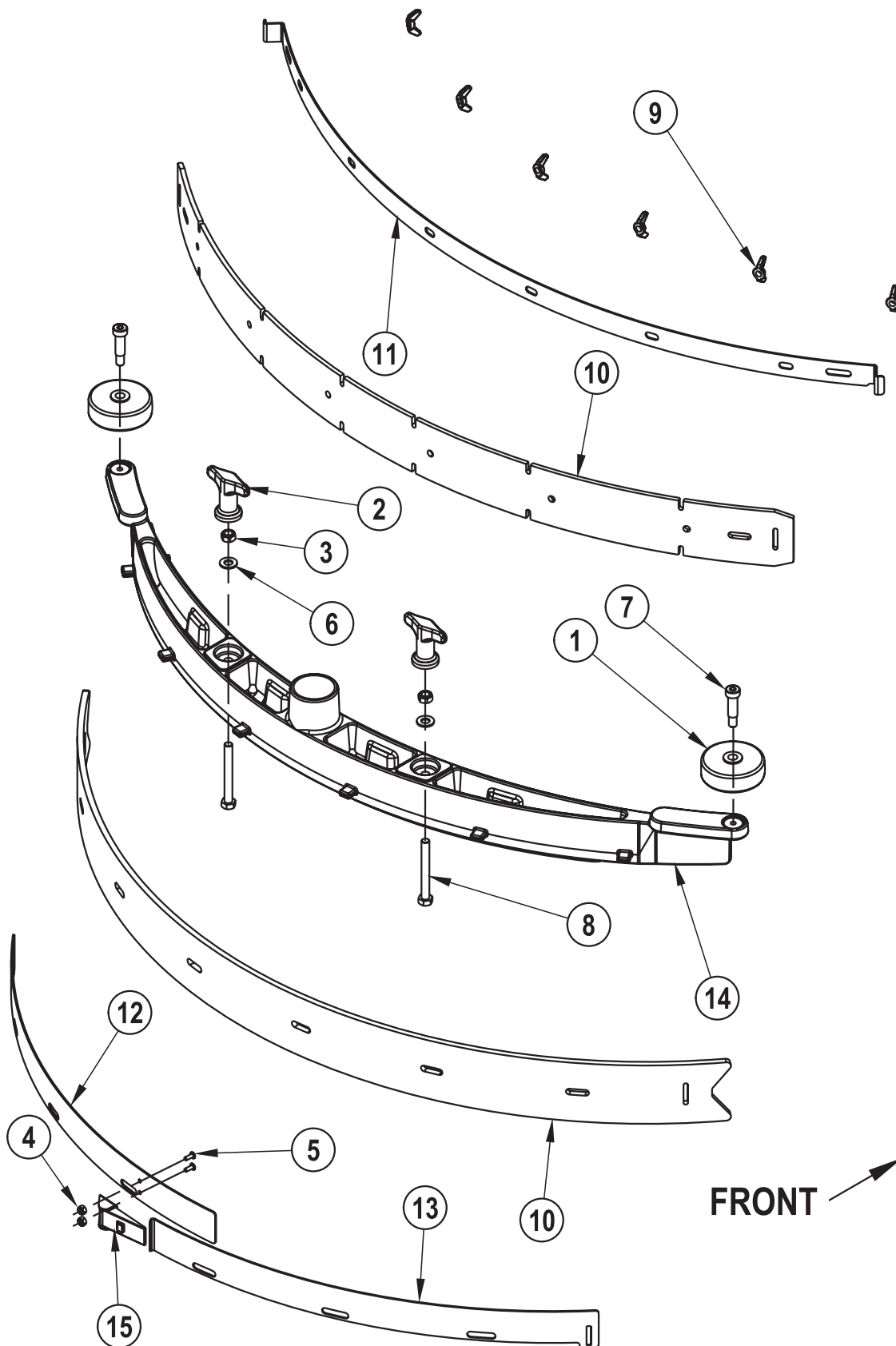
Item	Ref. No.	Qty	Description
	56315266	1	Assembly, Paddle TSBUS2005-898
1	56396197	1	Potentiometer, 100k (R2)
2	56397029	1	Potentiometer, 5k (R1)
3	56315231	1	Harness, Handle
4	56325654	2	Spring, Compression
5	56002006	2	Wsh, Flt SAE #6
6	56003197	6	Scr, Pan Phil Plastite 6-18x.62
7	56003354	1	Scr, Pan Phil M4 X 12
8	56003527	1	Scr, Pan Phil Plastite 1/4-10x2.00
9	56003545	4	Scr, Pan Phil Plastite 8-10x.75
10	56009030	2	Scr, Pan Phil Thd Form 10-24x.38
11	56009096	1	Wsh, Flt .193 X .875 X .060
12	56009287	1	Scr, Pan Phil Type B 8x2.00
13	56315229	1	Paddle, Back Cover
14	56315230	1	Paddle, Front Cover
15	56315251	1	Weldment, Handle Bar
16	56315280	1	Knob
17	56397015	1	Cam Controller
18	56397109	1	Sleeve
19	56397170	3	Washer, Plastic
20	56397171	2	Clamp
21	56397172	1	Potentiometer Fork
22	56478246	1	Tie, Cable
23	56481890	2	Clamp, P

SQUEEGEE ASSEMBLY

04-11

22

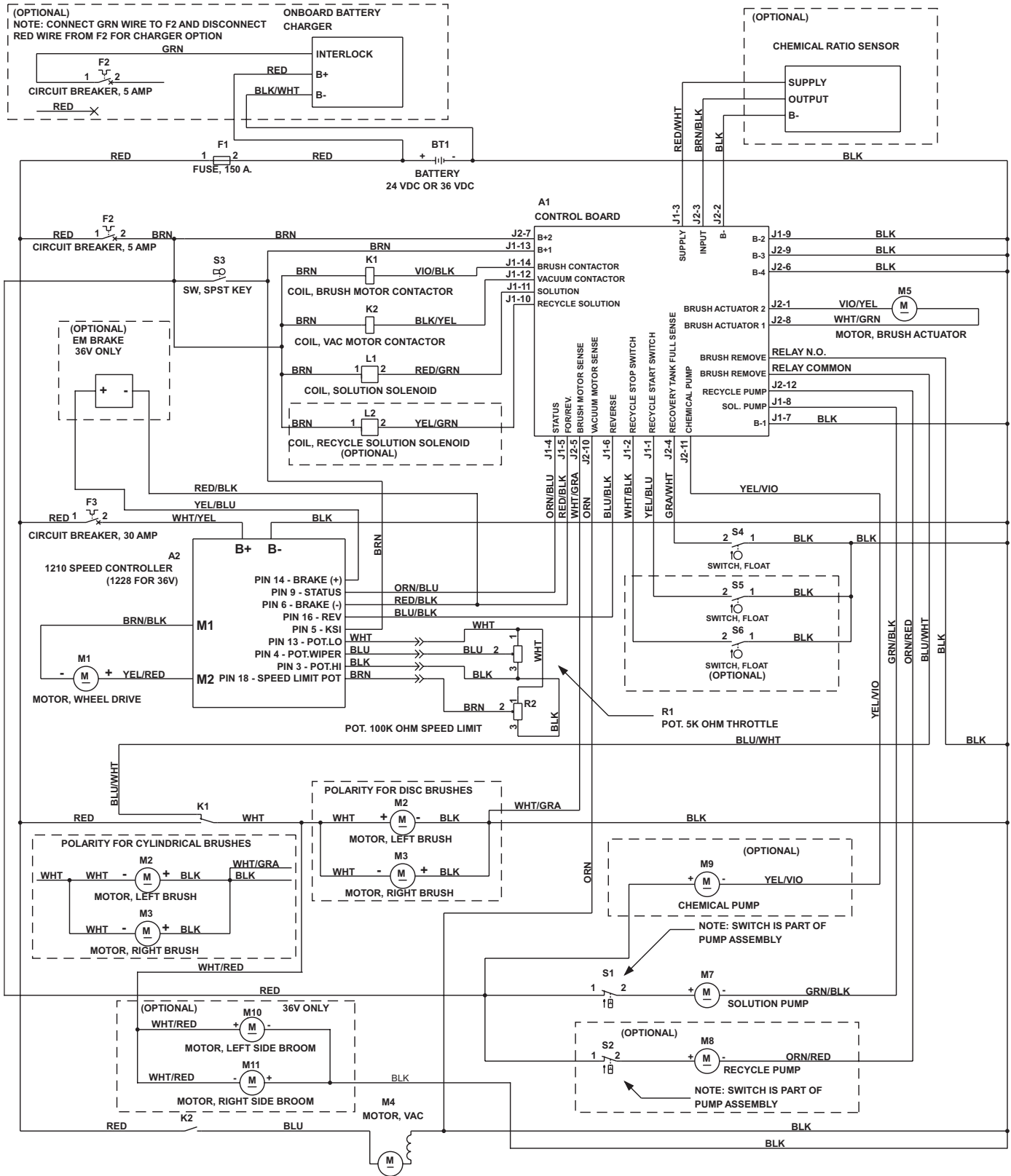
Convertamatic™ 24C, 24D, 26C, 26D, 28C, 28D



Item	Ref. No.	Qty	Description
	56315291	1	Squeegee Assembly (24")
	56315290	1	Squeegee Assembly (26" & 28")
1	56324350	2	Wheel
2	56370711	2	Nut, Thumb
3	56002851	2	Nut, Hex Nyl Loc-Thin SS 5/16-18
4	56002907	2	Nut, Hex Nyl Loc SS 6-32
5	56002909	2	Scr, Pan Phil SS 6-32x.38
6	56002938	2	Wsh, Flt SAE SS 5/16
7	56003472	2	Scr, Soc Shd .38 X 1.00 X 5/16-18
8	56003666	2	Scr, Hex Hd SS 5/16-18x2.75
9	56009111	6	Nut, Wing SS 1/4-20
10	56314347	1	Squeegee Blade kit (24") NOTE #1
	56314348	1	Squeegee Blade kit (26" & 28") NOTE #1
11	56314028	1	Strap, Front (24")
	56314322	1	Strap, Front (26" & 28")
12	56314026	1	Strap, Left Rear (24")
	56314323	1	Strap, Left Rear (26" & 28")
13	56314027	1	Strap, Right Rear (24")
	56314324	1	Strap, Right Rear (26" & 28")
14	56314271	1	Squeegee Tool, Cast (24")
	56314325	1	Squeegee Tool, Cast (26" & 28")
15	56471194	1	Latch Assembly
24" Squeegee Blade Kits			
**	56315347	1	Kit, Gum Rubber Squeegee Blade NOTE #1
**	56315351	1	Kit, Linatex Squeegee Blade NOTE #1
**	56314305	1	Kit, Neoprene Squeegee Blade NOTE #1
26" & 28" Squeegee Blade Kits			
**	56315348	1	Kit, Gum Rubber Squeegee Blade NOTE #1
**	56315352	1	Kit, Linatex Squeegee Blade NOTE #1
**	56314062	1	Kit, Neoprene Squeegee Blade NOTE #1

** = Optional, Not Included

NOTE #1: All squeegee blade kits include both front and rear squeegee blades.



Item	Ref. No.	Qty	Description
A1	56315297	1	Control Panel Assy (A1) NOTE #1
	56315577	1	Control Panel Assy (A1) NOTE #2
A2	56315294	1	Speed Control
BT1	NA	4	Battery
F1	56412089	1	Fuse, 150 Amp
F2	56315255	1	Circuit Breaker, 5 Amp
F3	56315256	1	Circuit Breaker, 30 Amp
K1	56397088	1	Contactora, Brush Motor
K2	56412179	1	Contactora, Vac Motor
L1	56397203	1	Solenoid, Solution
L2	56397203	1	Solenoid, Recycle Solution (Optional)
M1	56315062	1	Transaxle, 24v
*	56315377	1	Motor
*	56315378	4	Carbon Brush
*	56315379	2	Neoprene Mounting Sleeve
M2	56315056	1	Motor, Left Brush (Disk)
*	56315376	4	Carbon Brush
*	56397138	4	Brush Spring
	56315061	1	Motor, Left Brush (Cylindrical)
*	56412287	1	Brush / Spring Kit
M3	56315056	1	Motor, Right Brush (Disk)
*	56315376	4	Carbon Brush
*	56397138	4	Brush Spring
	56315061	1	Motor, Left Brush (Cylindrical)
*	56412287	1	Brush / Spring Kit
M4	56412218	1	Motor, Vac
*	56397098	1	Carbon Brush Set of 2
M5	56393303	1	Motor, Brush Actuator
M6	56315241	1	Pump, Chemical (Optional)
M7	56315108	1	Pump, Solution
M8	56315132	1	Pump, Recycle (Optional)
R1	56397029	1	Potentiometer, 5K Ohm, Throttle
R2	56396197	1	Potentiometer, 100K Ohm, Speed Limit
S1	NA	1	Part of M7
S2	NA	1	Part of M8
S3	56303553	1	Switch, Key
*	56303526	A/R	Set of 2 Replacement Keys
S4	56315096	1	Switch, Float
S5	56315096	1	Switch, Float (Optional / Recycle Start)
S6	56315096	1	Switch, Float (Optional / Recycle Stop)
*	56315124	1	Charger, Onboard 24V (Onboard Charger Models Only)
*	56315340	1	Chemical Ratio Sensor (Chemical Models Only)
*	56315249	1	Harness, Main
*	56416445	3	Cable Assy 4 AWG (Battery Cables)
*	56372673	8	Boot, Battery Post
*	56478523	2	Tie, Cable
*	56478246	9	Tie, Cable
*	56314119	1	Spacer, Battery

* = Not Shown

NOTE #1: Order this control panel assy if you have the "Old Pump" voltage reading across the solution pump (M7) leads.

NOTE #2: Order this control panel assy if you have the "New Pump" voltage reading across the solution pump (M7) leads.

	Voltage
Regular Scrub	
Old Pump	7
New Pump	9.56
Heavy Scrub	
Old Pump	11.3
New Pump	13.7
Extreme Scrub	
Old Pump	17
New Pump	19.24

OPTIONAL KITS AND ACCESSORIES

04-11

26

Convertamatic™ 24C, 24D, 26C, 26D, 28C, 28D

05-02

Ref. No. Qty Description

Optional Kits

- ** 56315168 1 Extended Scrub Kit
- ** 56315312 1 Squeegee Wand Kit
- ** 56315322 A/R Kit, 24" Disk Deck Assy
- ** 56315323 A/R Kit, 26" Disk Deck Assy
- ** 56315324 A/R Kit, 27" Disk Deck Assy
- ** 56315325 A/R Kit, 24" Cyl Deck Assy
- ** 56315326 A/R Kit, 26" Cyl Deck Assy
- ** 56315327 A/R Kit, 27" Cyl Deck Assy

24" Squeegee Blade Kits

- ** 56315347 1 Kit, Gum Rubber Squeegee Blade **NOTE #1**
- ** 56315351 1 Kit, Linatex Squeegee Blade **NOTE #1**
- ** 56314305 1 Kit, Neoprene Squeegee Blade **NOTE #1**

26" & 28" Squeegee Blade Kits

- ** 56315348 1 Kit, Gum Rubber Squeegee Blade **NOTE #1**
- ** 56315352 1 Kit, Linatex Squeegee Blade **NOTE #1**
- ** 56314062 1 Kit, Neoprene Squeegee Blade **NOTE #1**

Accessories

- ** 56315316 A/R Tote Bag
- ** 56397453 6 Indicator, Battery Level (**1 per battery**)
- ** 56409441 A/R Programmer, 1307 User
- ** 56409823 A/R Programmer Cable

Optional Batteries

- ** 56206987 4 Battery, 6V 180AH Gel
- ** 56206117 4 Battery, 6V 195AH Wet
- ** 56206079 4 Battery, 6V 235AH Wet

Optional Battery Chargers

- ** 56388109 A/R Charger, 24V 25A 110V

** = Optional, Not Included

NOTE #1: All squeegee blade kits include both front and rear squeegee blades.

We provide brushes and pad holders that will give you the best possible performance between machine and floor. Following are descriptions of the materials and their applications.

Union Mix:	Medium grade natural fibers for polishing finished floors with standard-speed equipment. Recommended for use in place of white pads.
ProLite:	Bristles are made from light-duty polypropylene for general scrubbing when you do not want to scratch or remove finish from the floor. Recommended for use in place of red pads.
Prolene:	Polypropylene material for medium-duty scrubbing on concrete, terrazzo and vinyl floor tile. Recommended for use in place of green or blue pads.
Magna Grit:	For extreme heavy-duty scrubbing or stripping of floors. This brush has extra large diameter silicon carbide grit impregnated synthetic bristles. Recommended for use in place of black pads.
Dyna Grit:	For aggressive, heavy-duty scrubbing or stripping of floors. Recommended for use in place of brown pads.
MidLite Grit:	For general purpose scrubbing of sealed or unsealed concrete, stone, terrazzo, quarry tile and other resilient hard floor surfaces. Recommended for use in place of green or blue pads.
MidGrit:	For general purpose scrubbing when you need a lighter action for sealed or unsealed concrete, stone, terrazzo, quarry tile and other resilient hard floor surfaces. Recommended for use in place of green or blue pads.
AgLite Grit:	For light scrubbing when used wet; buffing or polishing when used dry on urethane coated, sealed concrete or other resilient hard surface floors. Recommended for use in place of red or white pads.
Short Trim	
Pad Holder:	Made with a structural foam block and center ring for correct pad centering. It has a "shower feed" design for getting solution to the floor.

24" BRUSHES

56505750 - Short Trim Pad Holder
 56505751 - MagnaGrit
 56505752 - DynaGrit
 56505753 - AgLite
 56505754 - Prolene
 56505755 - ProLite
 56505756 - Union Mix
 56505757 - MidGrit
 56505758 - MidLite Grit

26" BRUSHES

56505760 - Short Trim Pad Holder
 56505761 - MagnaGrit
 56505762 - DynaGrit
 56505763 - AgLite
 56505764 - Prolene
 56505765 - ProLite
 56505766 - Union Mix
 56505767 - MidGrit
 56505768 - MidLite Grit

28" BRUSHES

56505800 - Short Trim Pad Holder
 56505801 - MagnaGrit
 56505802 - DynaGrit
 56505803 - AgLite
 56505804 - Prolene
 56505805 - ProLite
 56505806 - Union Mix
 56505807 - MidGrit
 56505808 - MidLite Grit

DISC BRUSH APPLICATION GUIDE (SUGGESTION ONLY)

Application	46 Grit	80 Grit	180 Grit	240 Grit	500 Grit	Prolene	Prolite	Union Mix
Stripping:								
Concrete	X	X						
Terrazzo	X	X						
Ceramic/Quarry tile		X						
Vinyl tile		X						
General Scrubbing:								
Concrete	X	X	X	X		X		
Terrazzo			X	X	X	X		
Ceramic/Quarry tile			X	X	X	X		
Marble					X		X	
Vinyl tile			X		X	X		
Raised-rubber tile					X		X	
Polishing:								
Raised Disc Tile								X
Marble								X
Vinyl tile								X

We provide brushes and pad holders that will give you the best possible performance between machine and floor. Following are descriptions of the materials and their applications.

- 46 Grit Brush: Most aggressive grit brush. Used primarily to clean heavy buildup on concrete floors in factories, or for heavy stripping of finish.
- 80 Grit Brush: Medium aggressive grit brush. Good all-around brush for medium to heavy buildup removal. Can also be used for general stripping operations.
- 180 Grit Brush: Least aggressive grit brush. Used for daily cleaning of hard-finished floors.
- Polypropylene Brush: Standard equipment brush. Low cost, yet effective in cleaning many common floor surfaces.
- Stiff Nylon Brush: Cleaning action similar to polypropylene. More durable and wear-resistant than polypropylene.
- Soft Nylon Brush: Least aggressive brush available. Used on soft-finish floors where a more aggressive brush would leave scratch marks, or in applications requiring very light cleaning.

24" BRUSHES

56314389 - Soft Nylon
 56314390 - Hard Nylon
 56314391 - Prolene
 56314392 - 180 Grit
 56314393 - 80 Grit
 56314394 - 46 Grit

26" BRUSHES

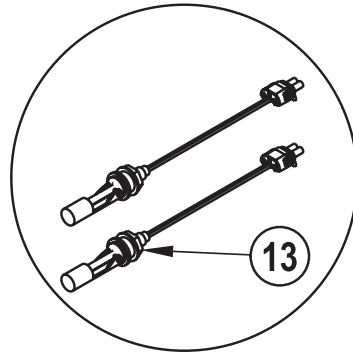
56314383 - Soft Nylon
 56314384 - Hard Nylon
 56314385 - Prolene
 56314386 - 180 Grit
 56314387 - 80 Grit
 56314388 - 46 Grit

28" BRUSHES

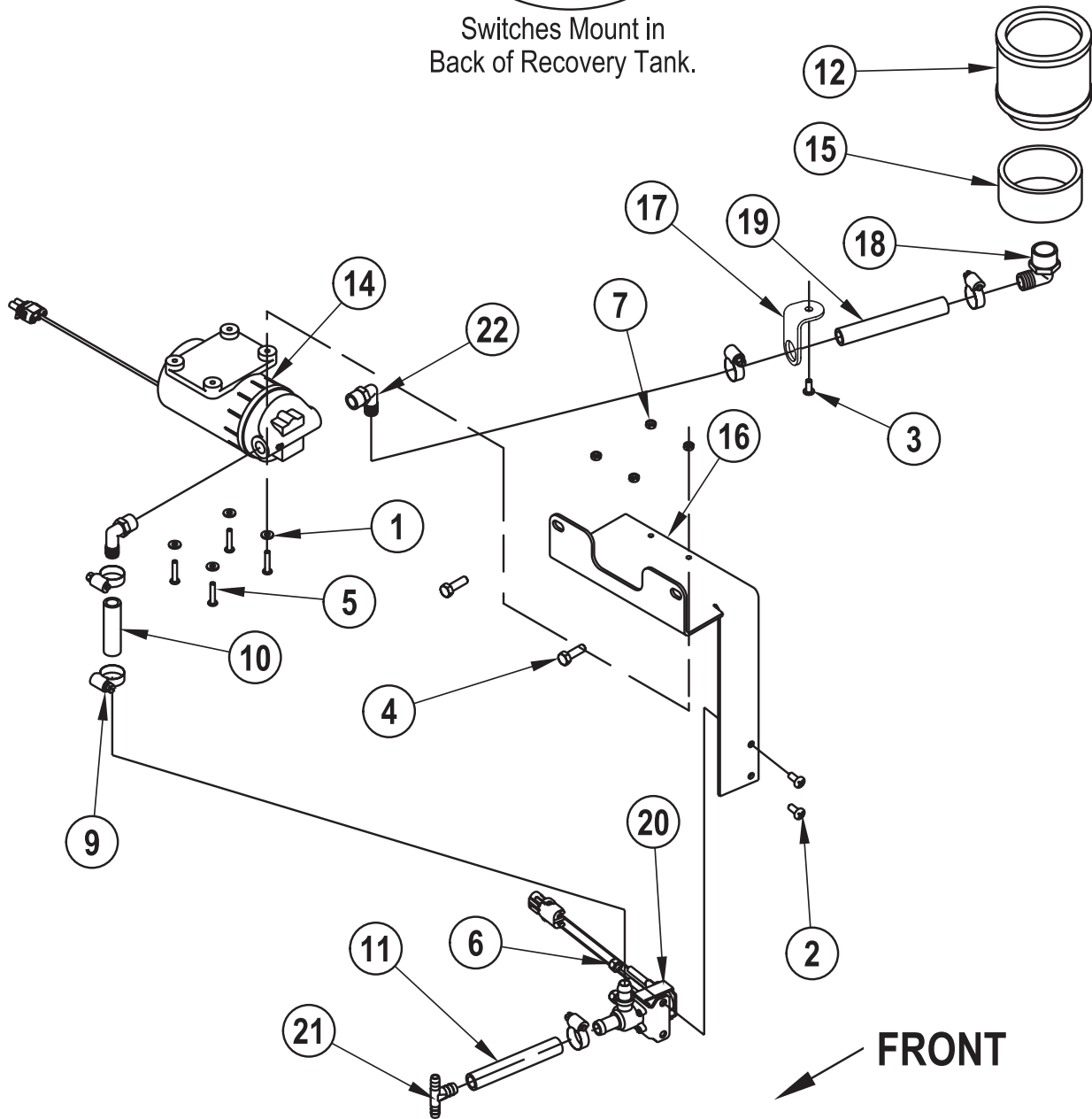
56412191 - Soft Nylon
 56412192 - Hard Nylon
 56412046 - Prolene
 56412193 - 180 Grit
 56412194 - 80 Grit
 56412194 - 46 Grit

CYLINDRICAL BRUSH APPLICATION GUIDE (SUGGESTION ONLY)

Application	46 Grit	80 Grit	180 Grit	Polypropylene	Stiff Nylon	Soft Nylon
Stripping:						
Concrete	X	X				
Terrazzo	X	X				
Ceramic/Quarry tile		X				
Vinyl tile		X				
General Scrubbing:						
Concrete	X	X	X	X	X	
Terrazzo			X	X	X	X
Ceramic/Quarry tile			X	X	X	X
Marble			X		X	X
Vinyl tile			X	X	X	X
Raised-rubber tile			X			X



Switches Mount in
Back of Recovery Tank.



04-11

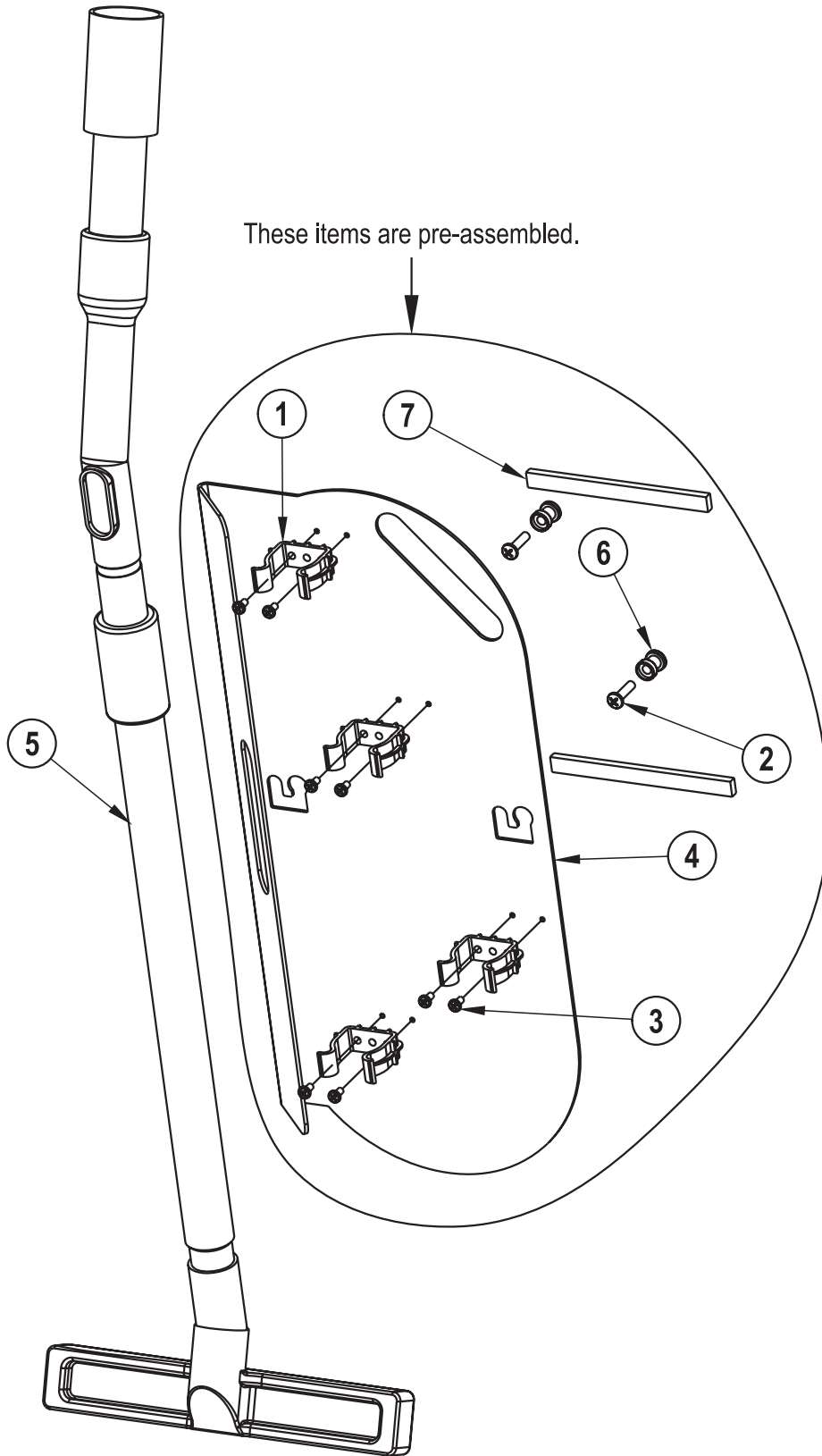
EXTENDED SCRUB KIT

05-02

Convertamatic™ 24C, 24D, 26C, 26D, 28C, 28D**31**

Item	Ref. No.	Qty	Description
	56315168	1	Extended Scrub Kit
*	56040824	1	Instruction Sheet
1	56001954	4	Wsh, Flt SAE #10
2	56002066	2	Scr, Pan Phil 1/4-20 x .62
3	56002145	1	Scr, Pan Phil 1/4-20 x .50
4	56002221	2	Scr, Hex Hd 5/16-18 x 1.00
5	56002674	4	Scr, Pan Phil 10-24 x 1.00
6	56002708	2	Nut, Hex Nyl Loc 1/4-20
7	56002832	4	Nut, Hex Nyl Loc-Thin 10-24
9	56219932	5	Clamp, Hose SAE #6
10	56262561	1	Hose, Spiral .5
11	56262663	1	Hose, Pvc
12	56315094	1	Filter
13	56315096	2	Switch, Electromagnetic
14	56315132	1	Pump, 24vdc
15	56315292	1	Pvc Tubing 1.5"
16	56315328	1	Bracket, Extended Scrub
17	56315381	1	Bracket
18	56324035	1	Barb, 90 Elbow 1/2 X 3/4npt
19	56395870	1	Hose, Spiral .500
20	56397203	1	Solenoid Valve Assy.
21	56397300	1	Tee, Barb
22	56900069	2	Barb, 90 Elbow 1/2 X 3/8npt

* = Not Shown

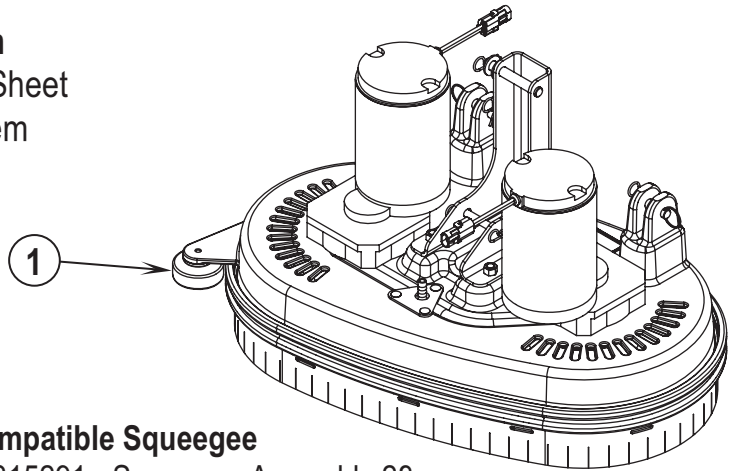


Item	Ref. No.	Qty	Description
	56315312	1	Squeegee Wand Kit
*	56040825	1	Instruction Sheet
1	56407361	4	Clamp, Plastic
2	56002292	2	Scr, Pan Phil 1/4-20x1.00
3	56009030	8	Scr, Pan Phil Thd Form 10-24x.38
4	56315232	1	Bracket, Wand
5	56315309	1	Scrub/Vac Wand & Hose
6	56315311	2	Spacer, Stepped
7	56315344	2	Gasket, 1/4x1/2x6

* = Not Shown

56315322 24" Disk Deck Kit 24V

Item	Ref. No.	Qty	Description
*	56040847	1	Instruction Sheet
1	NA	1	Scrub System



Compatible Scrub Brushes

56505750 - Short Trim Padholder
 56505751 - MagnaGrit
 56505752 - DynaGrit
 56505753 - AgLite
 56505754 - Prolene
 56505755 - ProLite
 56505756 - Union Mix
 56505757 - MidGrit
 56505758 - MidLite

Compatible Squeegee

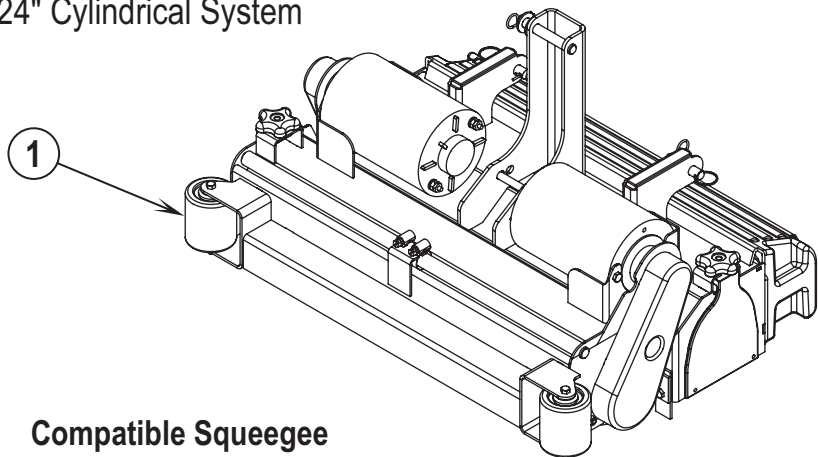
56315291 - Squeegee Assembly 28
Squeegee Blade Kits for 56315291
 56315347 - Kit, Gum Rubber Squeegee Blade 28 (std)
 56315351 - Kit, Linatex Squeegee Blade 28
 56314305 - Kit, Neoprene Squeegee Blade 28

Available 24" Disk Deck Skirt

56315274 - Skirt, Neoprene 24

56315325 24" Cylindrical Deck Kit 24V

Item	Ref. No.	Qty	Description
*	56040847	1	Instruction Sheet
1	NA	1	Scrub 24" Cylindrical System



Compatible Scrub Brushes

56314389 - Soft Nylon
 56314390 - Hard Nylon
 56314391 - Prolene
 56314392 - 180 MidLite
 56314393 - 80 DynaGrit
 56314394 - 46 MagnaGrit

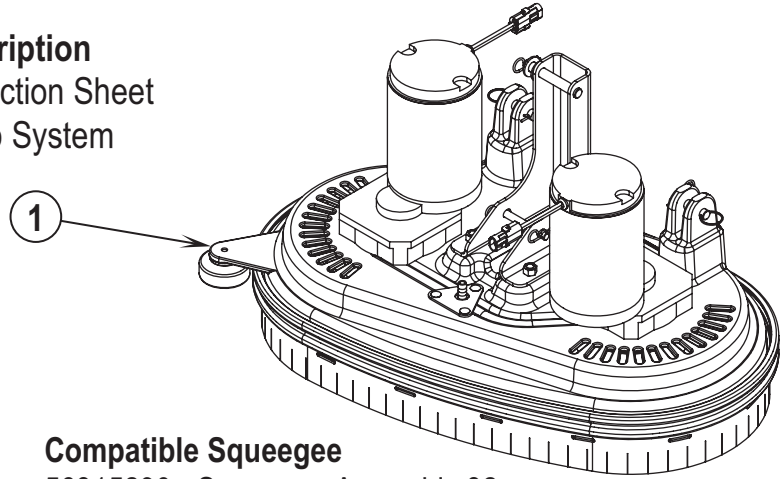
FORM NO. 56042451

Compatible Squeegee

56315291 - Squeegee Assembly 28
Squeegee Blade Kits for 56315291
 56315347 - Kit, Gum Rubber Squeegee Blade 28 (std)
 56315351 - Kit, Linatex Squeegee Blade 28
 56314305 - Kit, Neoprene Squeegee Blade 28

56315323 26" Disk Deck Kit 24V

Item	Ref. No.	Qty	Description
*	56040847	1	Instruction Sheet
1	NA	1	Scrub System



Compatible Scrub Brushes

56505760 - Short Trim Padholder
 56505761 - MagnaGrit
 56505762 - DynaGrit
 56505763 - AgLite
 56505764 - Prolene
 56505765 - ProLite
 56505766 - Union Mix
 56505767 - MidGrit
 56505768 - MidLite

Compatible Squeegee

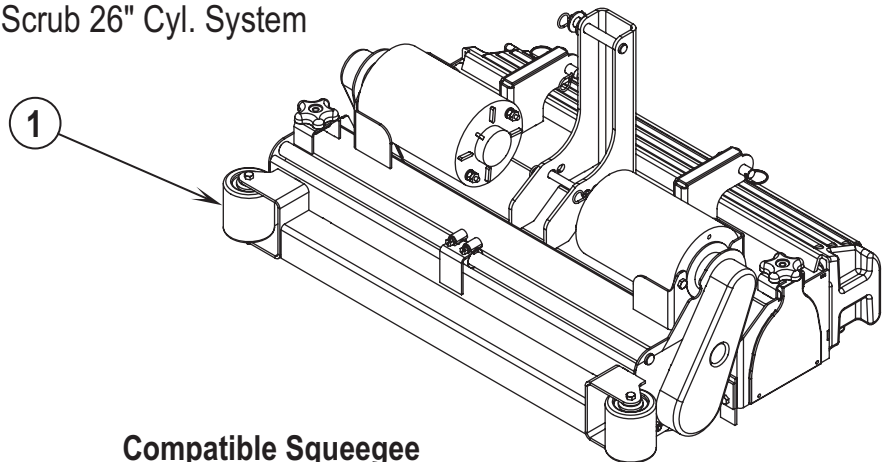
56315290 - Squeegee Assembly 32
Squeegee Blade Kits for 56315290
 56315348 - Kit, Gum Rubber Squeegee Blade 32 (std)
 56315352 - Kit, Linatex Squeegee Blade 32
 56314062 - Kit, Neoprene Squeegee Blade 32

Available 26" Disk Deck Skirt

56315275 - Skirt, Neoprene 24

56315326 26" Cylindrical Deck Kit 24V

Item	Ref. No.	Qty	Description
*	56040847	1	Instruction Sheet
1	NA	1	Scrub 26" Cyl. System



Compatible Scrub Brushes

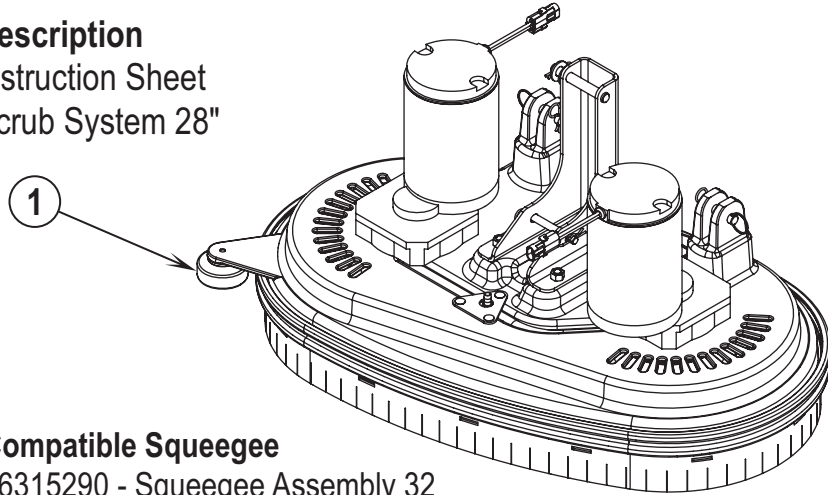
56314383 - Soft Nylon
 56314384 - Hard Nylon
 56314385 - Prolene
 56314386 - 180 MidLite
 56314387 - 80 DynaGrit
 56314388 - 46 MagnaGrit

Compatible Squeegee

56315290 - Squeegee Assembly 32
Squeegee Blade Kits for 56315290
 56315348 - Kit, Gum Rubber Squeegee Blade 32 (std)
 56315352 - Kit, Linatex Squeegee Blade 32
 56314062 - Kit, Neoprene Squeegee Blade 32

56315324 28" Disk Deck Kit 24V

Item	Ref. No.	Qty	Description
*	56040847	1	Instruction Sheet
1	NA	1	Scrub System 28"



Compatible Scrub Brushes

56505800 - Short Trim Padholder
 56505801 - MagnaGrit
 56505802 - DynaGrit
 56505803 - AgLite
 56505804 - Prolene
 56505805 - ProLite
 56505806 - Union Mix
 56505807 - MidGrit
 56505808 - MidLite

Compatible Squeegee

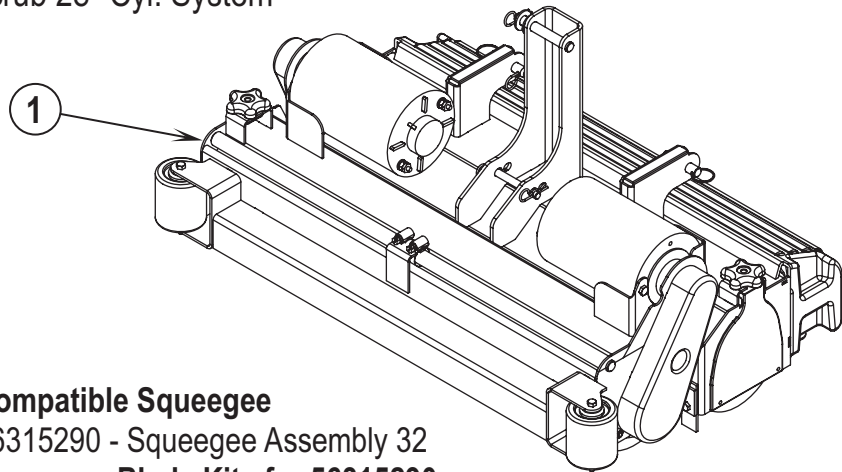
56315290 - Squeegee Assembly 32
Squeegee Blade Kits for 56315290
 56315348 - Kit, Gum Rubber Squeegee Blade 32 (std)
 56315352 - Kit, Linatex Squeegee Blade 32
 56314062 - Kit, Neoprene Squeegee Blade 32

Available 28" Disk Deck Skirt

56315274 - Skirt, Neoprene 24

56315327 28" Cylindrical Deck Kit 24V

Item	Ref. No.	Qty	Description
*	56040847	1	Instruction Sheet
1	NA	1	Scrub 28" Cyl. System



Compatible Scrub Brushes

56412191 - Soft Nylon
 56412192 - Hard Nylon
 56412046 - Prolene
 56412193 - 180 MidLite
 56412194 - 80 DynaGrit
 56412195 - 46 MagnaGrit

Compatible Squeegee

56315290 - Squeegee Assembly 32
Squeegee Blade Kits for 56315290
 56315348 - Kit, Gum Rubber Squeegee Blade 32 (std)
 56315352 - Kit, Linatex Squeegee Blade 32
 56314062 - Kit, Neoprene Squeegee Blade 32



**Nilfisk
Advance**

setting standards

Nilfisk-Advance, Inc.
14600 21st Avenue North
Plymouth, MN 55447-3408
www.nilfisk-advance.com
Phone: 800-989-2235
Fax: 800-989-6566
©2005 Printed in the U.S.A.