

CONVERTAMATIC MODEL 260B

THIS PARTS LIST IS FOR MACHINES
AFTER SERIAL NUMBER 776 159

PARTS LIST



ADVANCE
MACHINE COMPANY

INTERNATIONAL HEADQUARTERS, Spring Park, Minnesota 55384-0275

EUROPE, 4 Rue Jean Engling, L-1466 Luxembourg

CANADA, 1295 Crestlawn Drive, Mississauga, Ontario L4W 1A9

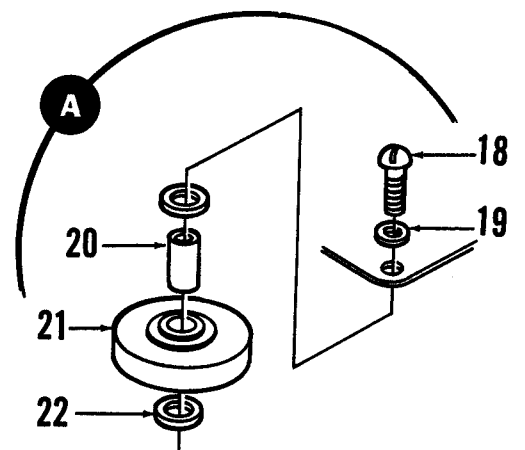
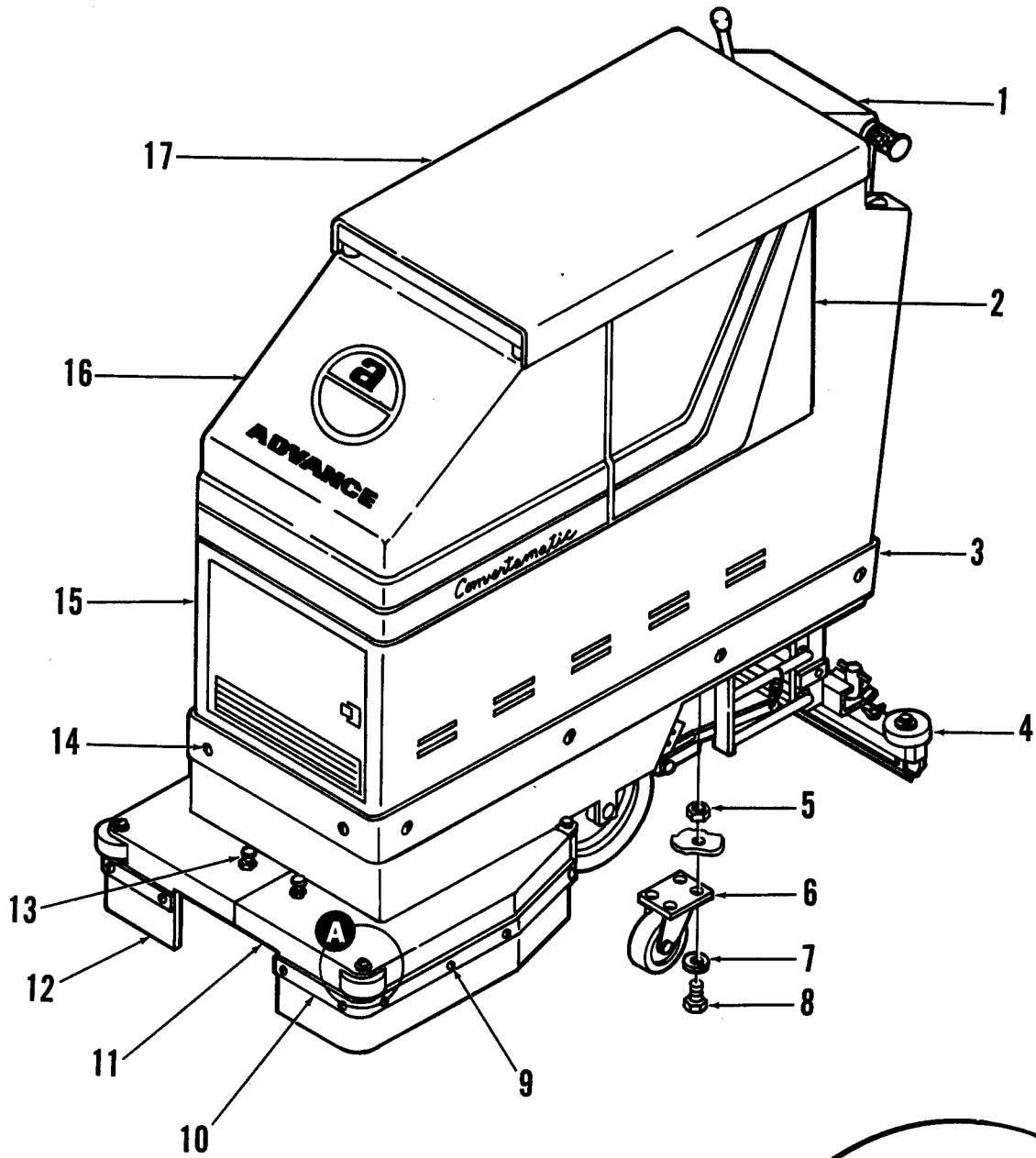
© 1985 Advance Machine Co.

FORM NO. 042 130 3/85



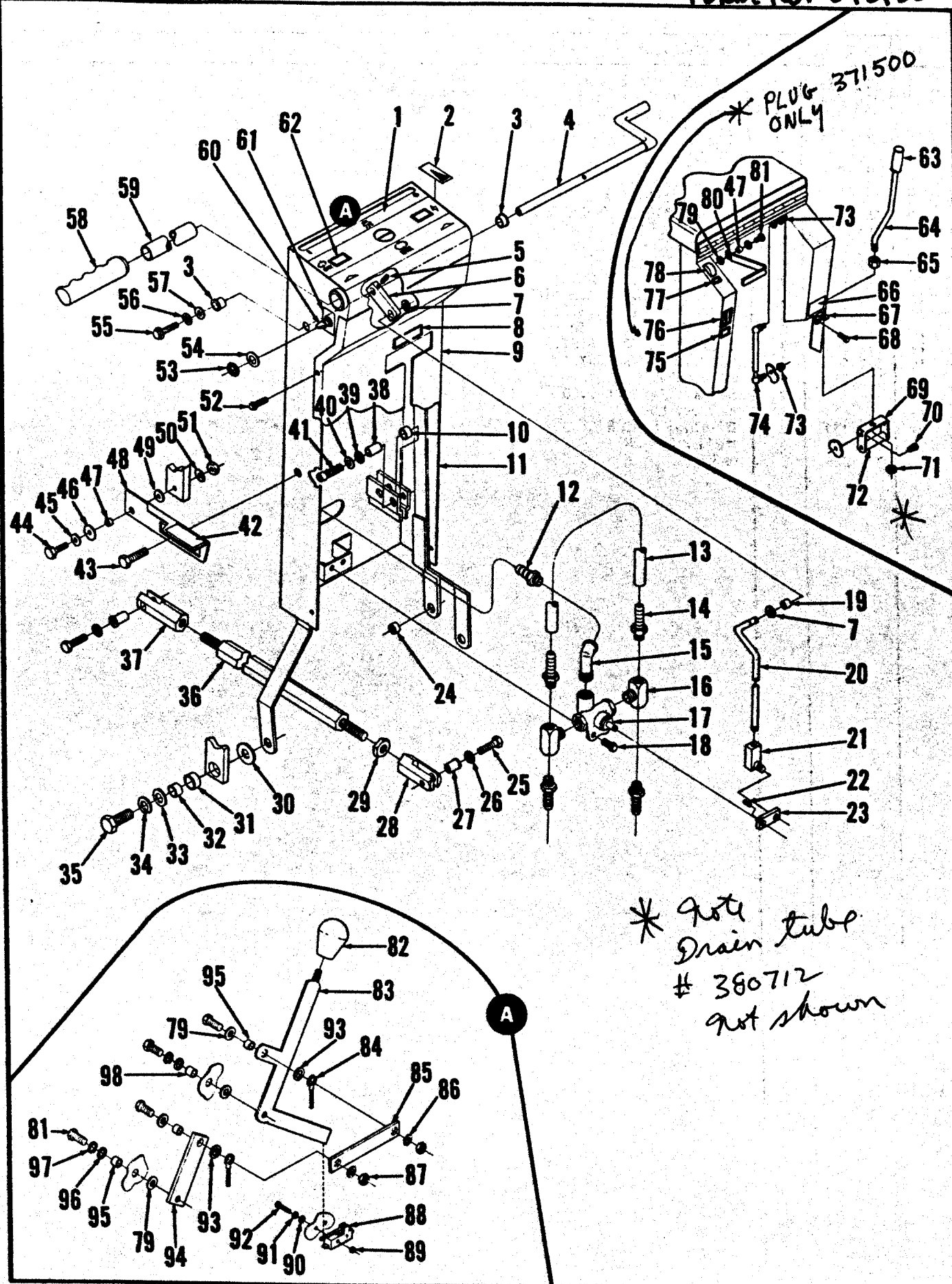
Index for Form Number 042130

Description	Location	page
Battery Housing	E9	5
Brush Drive	F3	13
Control Handle	E6	3
Motor, Vacuum	F5	15
Outer Body	E4	1
Squeegee	F1	11
Tanks & Hood	E13	9
Wheels & Brush Lift Linkage	E11	7
Wiring Diagram	F7	17



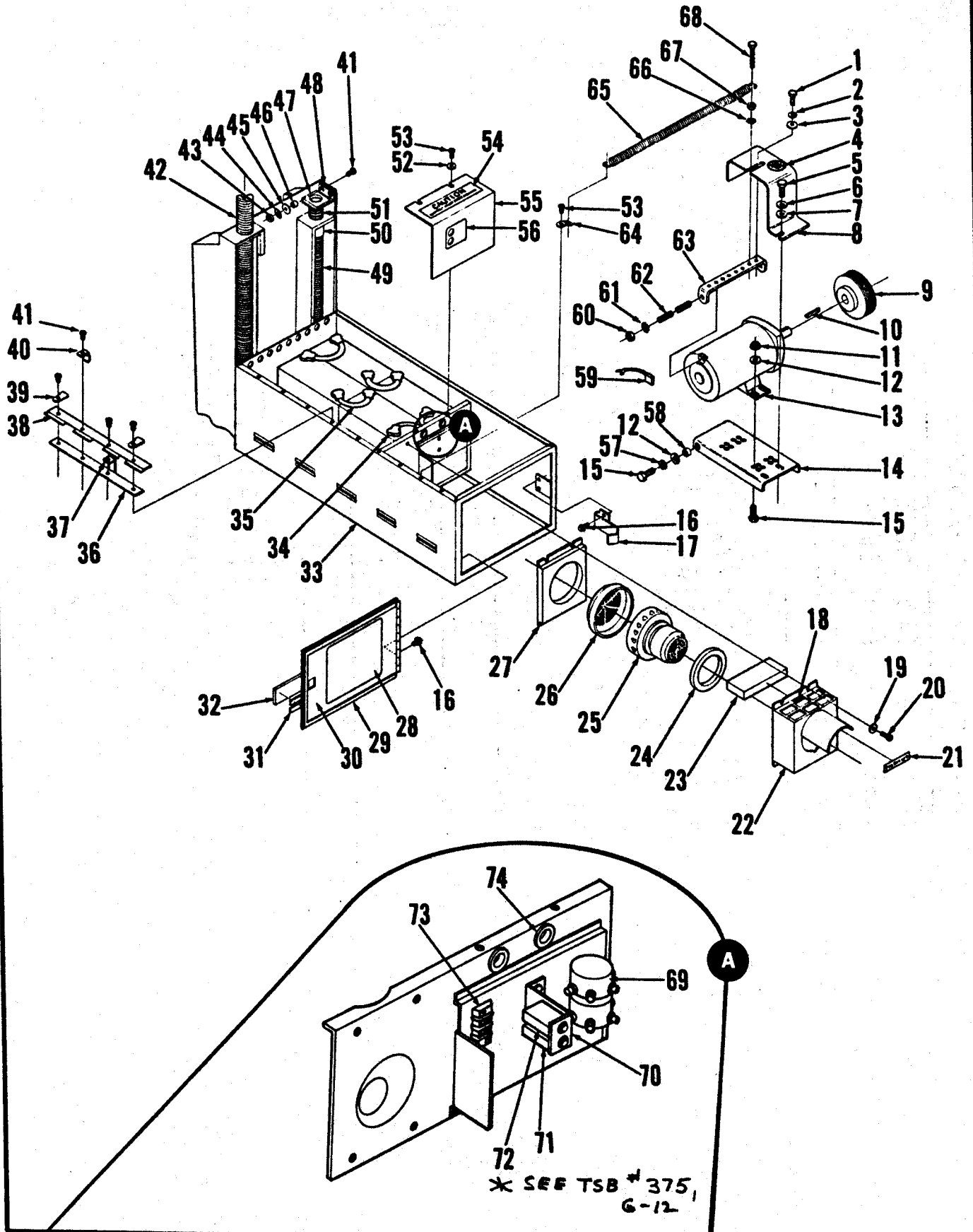
HOUSING ASSEMBLY

Item	Part No.	Qty	Description
1	372630	1	Control Panel Assembly
2	374664	1	Recovery Tank Assembly
3	371963	2	Bumper, Chassis
4	372975	1	Squeegee Assembly
5		4	Nut 3/8-16
6	365629	1	Caster, Swivel
7		4	Washer Lock
8		4	Screw 3/8-16 x 1
9	381351	6	Screw #10-24 (each side)
10	551138	1	Strap, Left
	551116	1	Strap, Right
11	372646	1	Skirt Assembly, Left
	372669	1	Skirt Assembly, Right
12	551127	1	Guard, Splash (each side)
13	365548	1	Lock Assembly (each side) TSB 600 - G6
14		10	Screw #10-24 x 1/2
15	372675	1	Battery Housing Assembly
16	372950	1	Solution Tank Assembly
17	372710	1	Hood Assembly
18		2	Screw 1/4-20 x 1-1/2
19		2	Washer Lock
20	360139	2	Bushing, Spacer
21	363855	2	Wheel, Bumper
22	371009	2	Washer



CONTROL HANDLE ASSEMBLY

Item	Part No.	Qty	Description	Item	Part No.	Qty	Description
1	016414	1	Decal, Control Panel	54	372858	2	Washer
2	016334	1	Decal, Solution Valve	55		1	Screw #10-24 x 3/8
3	329098	2	Bushing, Nylon	56		1	Washer Lock
4	373459	1	Handle, Valve	57		1	Washer
5		1	Pin	58	514085	2	Handle, Grip
6	373457	1	Arm, Lifter	59	372828	1	Tube, Handle
7	373797	2	Retaining Ring	60	207075	2	Switch, Toggle
8	054195	1	Decal, Brush	61	016616	1	Decal, Brush Switch (Left)
9	373376	1	Cover, Panel		016112	1	Decal, Main Switch (Right)
10	365088	2	Bushing	62	467410	2	Light, Indicator
11	372824	1	Handle Frame	63	471193	1	Knob, Drain Lever
12	373456	1	Insert, Barbed	64	372956	1	Lever, Drain
13	379108	1	Tube	65	372958	1	Nut 5/16-18
14	155640	4	Insert, Barbed	66	016396	1	Decal, Drain Valve
15	369632	1	Elbow	67	372662	1	Latch, Drain Lever
16	372506	2	Tee	68		2	Screw 14-20 x 1
17	368881	1	Valve	69	372652	1	Pivot, Lever
18		2	Screw	70		2	Screw 1/4-20 x 1/2
19	373795	1	Bearing, Sleeve	71		1	Nut Whiz 5/16-18
20	373453	1	Lever, Valve	72	372650	1	Roller, Drain
21	373462	1	Ball Joint	73		2	Nut 5/16-18
22		1	Screw Set #10-24 x 1/4	74	385238	1	Cylinder, Hood
23	373455	1	Arm, Valve	75	054192	1	Decal, Charger Plug
24	366633	1	Bearing, Sleeve	76	372972	1	Connector, Charger w/wire
25		2	Screw 3/8-16 x 1-1/4		371500	1	Connector Plug only
26		2	Washer Lock	77	016114	1	Decal
27	366625	2	Bushing, Flange	78	364210	1	Meter, Volt
28	366617	1	Yoke, Right Hand	79	150142	6	Washer
29		1	Nut 1/2-13	80	364506	1	Handle, Grip
30	367192	2	Washer	81		5	Screw 1/4-20 x 5/8
31	367168	2	Bearing	82	364527	1	Knob, Squeegee Lifter
32	367206	2	Bushing	83	372638	1	Lever
33	367214	2	Washer	84	384909	2	Wire Rope
34		2	Washer Lock	85	374944	1	Bar
35		2	Screw 1/2-13 x 1-1/4	86		2	Washer Lock
36	372005	1	Rod, Drive Adjust	87		2	Nut 1/4-20
37	366609	1	Yoke, Left Hand	88	388019	1	Switch, Snap
38	365089	2	Bushing	89		2	Nut #6-32
39		2	Washer Lock	90		2	Washer
40		2	Washer	91		2	Washer Lock
41		2	Screw 3/8-16 x 1	92		2	Screw #6-32 x 7/8
42	016386	1	Decal	93			Washer
43		1	Screw 3/8-16 x 1-1/4	94	374942	1	Bar, Lifter
44		1	Screw 1/4-20 x 1-1/2	95	379298	3	Bushing
45		2	Washer	96		2	Washer 1/4
46	151068	1	Washer Fiber	97		2	Washer Lock
47	368997	2	Bushing	98	206784	1	Bushing
48	372636	1	Latch, Handle	99	380712	1	Drain Tube (not shown)
49	151041	1	Washer Spring				
50		1	Washer Lock				
51		1	Nut 1/4-20				
52		4	Screw #6-32 x 1/2				
53		2	Nut				

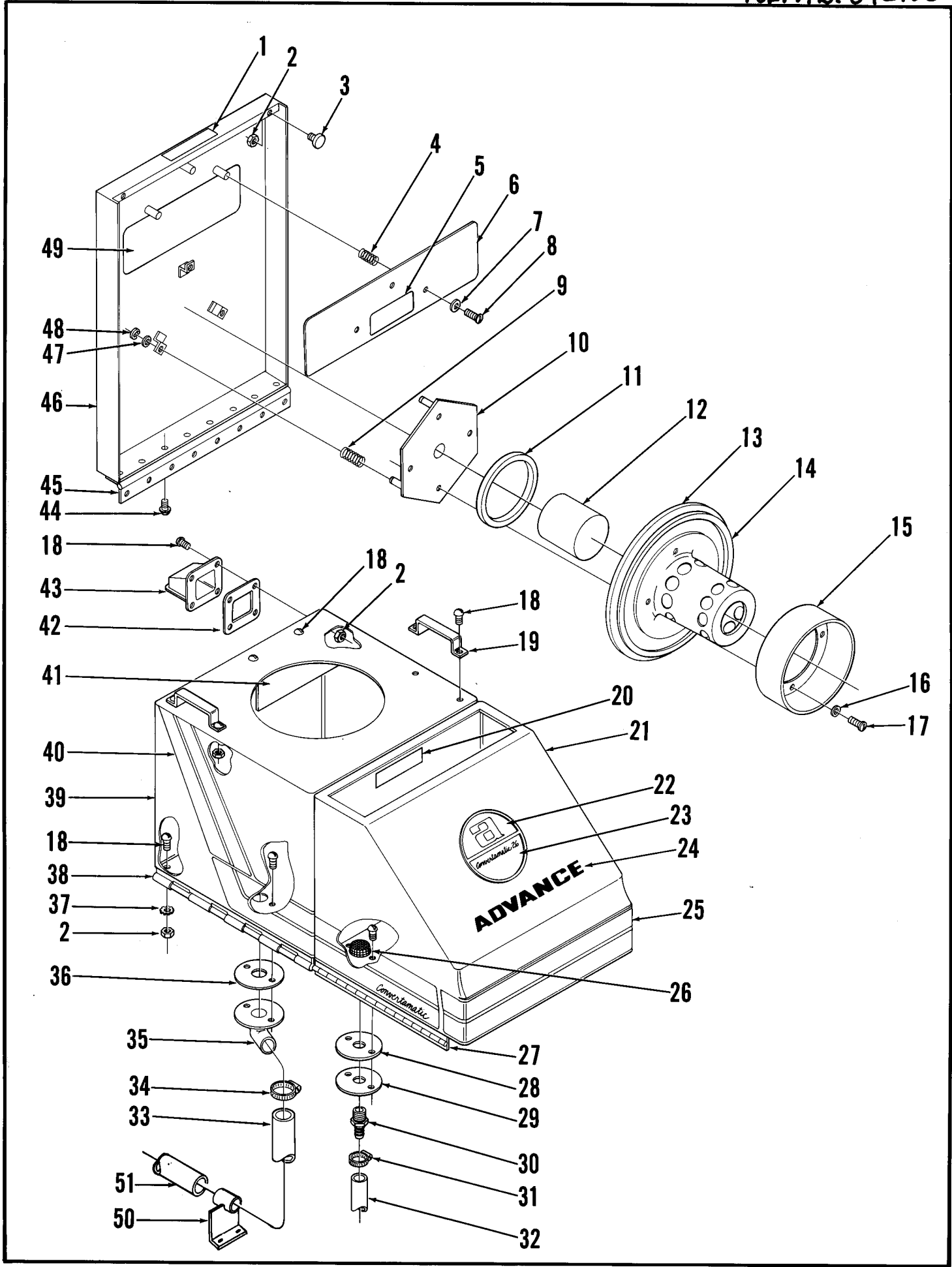


BATTERY HOUSING ASSEMBLY

Item	Part No.	Qty	Description	Item	Part No.	Qty	Description
1		1	Screw	53		7	Screw
2		1	Washer Lock	54	025363	1	Decal, Caution
3		1	Washer	55	372970	1	Cover, Solenoid
4	030080	1	Decal, Hands Clear	56	016122	1	Decal, Circuit Breaker
5		1	Screw	57		2	Washer Lock
6		1	Washer Lock	58	368989	2	Bushing
7		1	Washer	59	448729	1	Brush, Motor (Set of 4)
8	372703	1	Guard, Belt	60		2	Nut
9	372626	1	Sheave	61		2	Washer Lock
10	367958	1	Key	62	379811	1	Stud
11		4	Nut Whiz 1/4-20	63	372235	1	Bracket, Spring
12		6	Washer	64	300225	1	Clip, Spring
13	372765	1	Motor	65	371114	1	Spring
*	448729	1	Carbon Brush (set of 4)	66		1	Washer Lock
14	372226	1	Mounting Plate, Motor	67		1	Nut 1/4-20
15		6	Screw 1/4-20 x 3/4	68		1	Screw 1/4-20 x 1-1/2
16		7	Screw #10-24 x 3/8	69	468358	2	Solenoid 24V
17	372700	1	Latch, Door	70	372686	1	Bracket, Circuit Breaker
18	016591	1	Decal, 24V	71	386725	1	Circuit Breaker, 50A
19		4	Washer				TSB 375 - G12
20		4	Screw #10-32 x 1/2	72	180275	1	Circuit Breaker, 15A
21	016546	1	Decal	73	380548	1	Terminal Block
22	375328	1	Adapter, Vacuum Motor	74	570206	2	Grommet
23	380922	1	Filter	75	374905	1	Battery Tray (not shown)
24	209325	1	Gasket, Vacuum Motor				
25	202305	1	Motor, Vacuum				* = Not Shown
26	384898	1	Filter				
27	375335	1	Gasket				
28	016390	1	Decal, Wiring				
29	200754	1	Gasket				
30	372694	1	Door				
31	530703	2	Tape				
32	016149	1	Grill				
33	372890	1	Housing, Battery				
34	372673	6	Boot, Battery Cable				
35	363928	3	Cable, Assembly, Battery				
36	385414	1	Plate, Nut				
37	373794	1	Clip, Hose				
38	361674	1	Hinge				
39	381053	2	Clip, Hinge				
40	373791	1	Clip, Hose				
41		6	Screw #10-24 x 1/2				
42	372666	1	Hose, Vacuum				
43		2	Nut #10-24				
44		2	Washer Lock				
45		2	Washer				
46	151092	2	Bushing				
47	385055	1	Gasket				
48	385054	1	Tube				
49	550941	1	Hose Assembly				
50	207306	2	Cuff, Hose				
51	404800	1	Spring				
52		2	Washer				

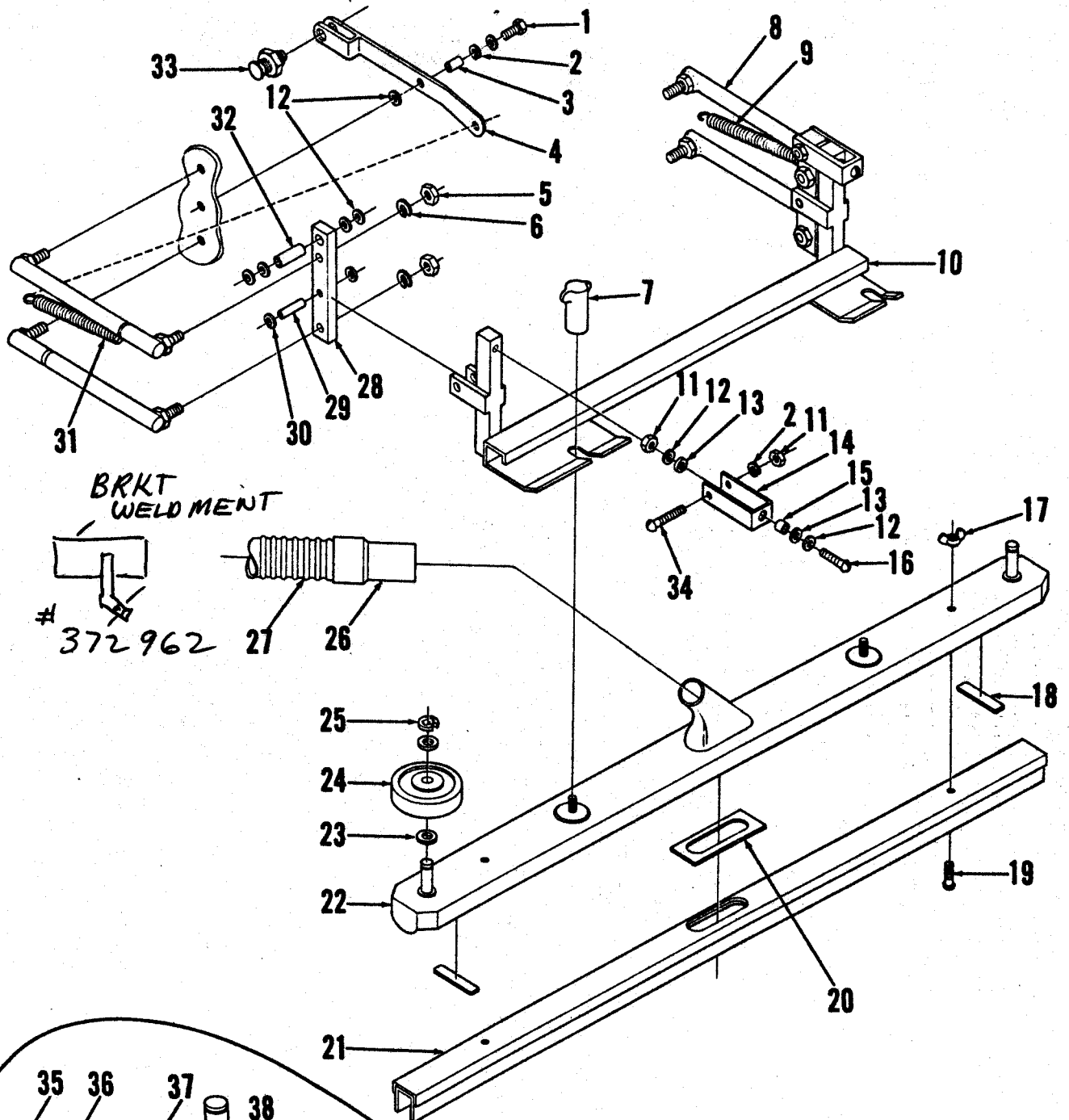
DRIVE UNIT ASSEMBLY

Item	Part No.	Qty	Description
1		2	Nut 1/2-13
2	367214	26	Washer
3	372129	1	Spring
4	372110	1	Spacer
5	372102	1	Yoke
6		4	Washer 5/8
7		1	Screw 1/2-13 x 1-3/4
8	372154	1	Arm, Right
9	016281	1	Decal, Brush
10		2	Screw Flat Head 1/4-20 x 1
11	365081	1	Plate
12	365086	1	Pad, Rubber
13	373606	1	Plate, Right
14		2	Screw 3/8-16 x 1-1/4
15	365030	2	Bushing
16		4	Screw 1/2-13 x 1
17		2	Washer Lock
18	373614	1	Plate, Left
19		2	Nut 3/8-16
20	380255	1	Guard, Foot
21	365087	1	Cup, Pedal
22	372147	1	Pedal
23	360627	3	Bushing
24	372162	1	Arm, Left
25		1	Nut 1/2-13
26		2	Washer Lock
27	009021	2	Washer Bowed
28	377945	2	Wheel
29	362352	4	Ball Bearing
30	367095	4	Collar
31	367192	10	Washer
32	372196	1	Axle
33	372708	4	Arm, Drive Unit
34	367389	2	Bearing, Sleeve
35	367346	1	Shaft
36	366581	1	Lever
37	367354	3	Collar
38		5	Screw Socket Set
39	550569	1	Bracket, Gear Case
40		4	Screw 3/8-16 x 1
41		4	Washer Lock
42	441236	2	Nut Spring Lock
43	367168	8	Bearing
44	367206	6	Bushing
45		4	Screw 1/2-13 x 1-1/2
46		4	Washer Lock
47		4	Washer
48	101737	2	Fitting, Grease
49	114545	1	Bushing, Rubber
50	366633	1	Bearing, Sleeve



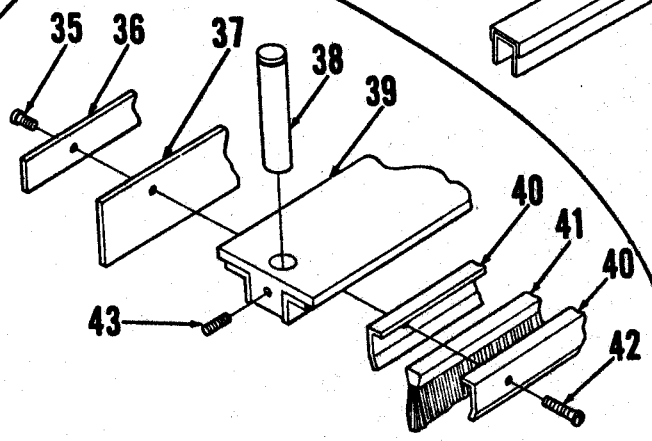
HOOD AND TANK ASSEMBLIES

Item	Part No.	Qty	Description	Item	Part No.	Qty	Description
1	016358	1	Decal, Hood	41	385234	1	Plate Deflector
2		23	Nut 1/4-20	42	374558	1	Gasket
3	386312	2	Stop, Hood	43	374550	1	Inlet Adapter
4	372724	3	Spring	44		8	#10-24 x 5/16 Screw
5	016185	1	Decal, Low Sudsing	45	372693	1	Hinge
6	372726	1	Cover, Solution Tank	46	372712	1	Hood
7	325276	3	Washer	47		3	Washer
8	372728	3	Screw Brass #6-32 x 1/2	48	321125	3	Retaining Ring
9	379170	3	Spring	49	016225	1	Decal, Maintenance
10	372538	1	Mount	50	372962	1	Bracket Weldment
11	372716	1	Gasket	51	380712	1	Drain Hose
12	385198	1	Float				
13	385237	1	Cover				
14	372718	1	Gasket				
15	379206	1	Deflector				
16		4	Washer				
17		4	Screw #10-24 x 3/8				
18		31	Screw Brass 1/4-20 x 5/8				
19	360792	2	Handle				
20	016057	1	Decal				
21	373770	1	Tank, Solution				
22	024958	1	Emblem, Advance				
23	016394	1	Decal, Convertamatic				
24	016519	1	Decal, Advance				
25	016976	2	Decal, Stripe Right				
	016984	1	Decal, Stripe Left				
26	379125	1	Strainer				
27	372332	1	Hinge				
28	380763	1	Gasket				
29	379202	1	Plate				
30	372320	1	Insert, Barbed				
31	219932	2	Clamp, Hose				
32	375406	1	Hose, Solution				
33	372222	1	Hose, Drain				
34	329145	2	Clamp, Hose				
35	374672	1	Drain				
36	204161	1	Gasket				
37		11	Washer Lock				
38	374560	1	Hinge				
39	373939	1	Tank, Recovery				
40	016980	1	Decal, Stripe Right				
	016996	1	Decal, Stripe Right				
	016986	1	Decal, Stripe Left				
	016994	1	Decal, Stripe Left				



BRKT
WELDMENT
372962

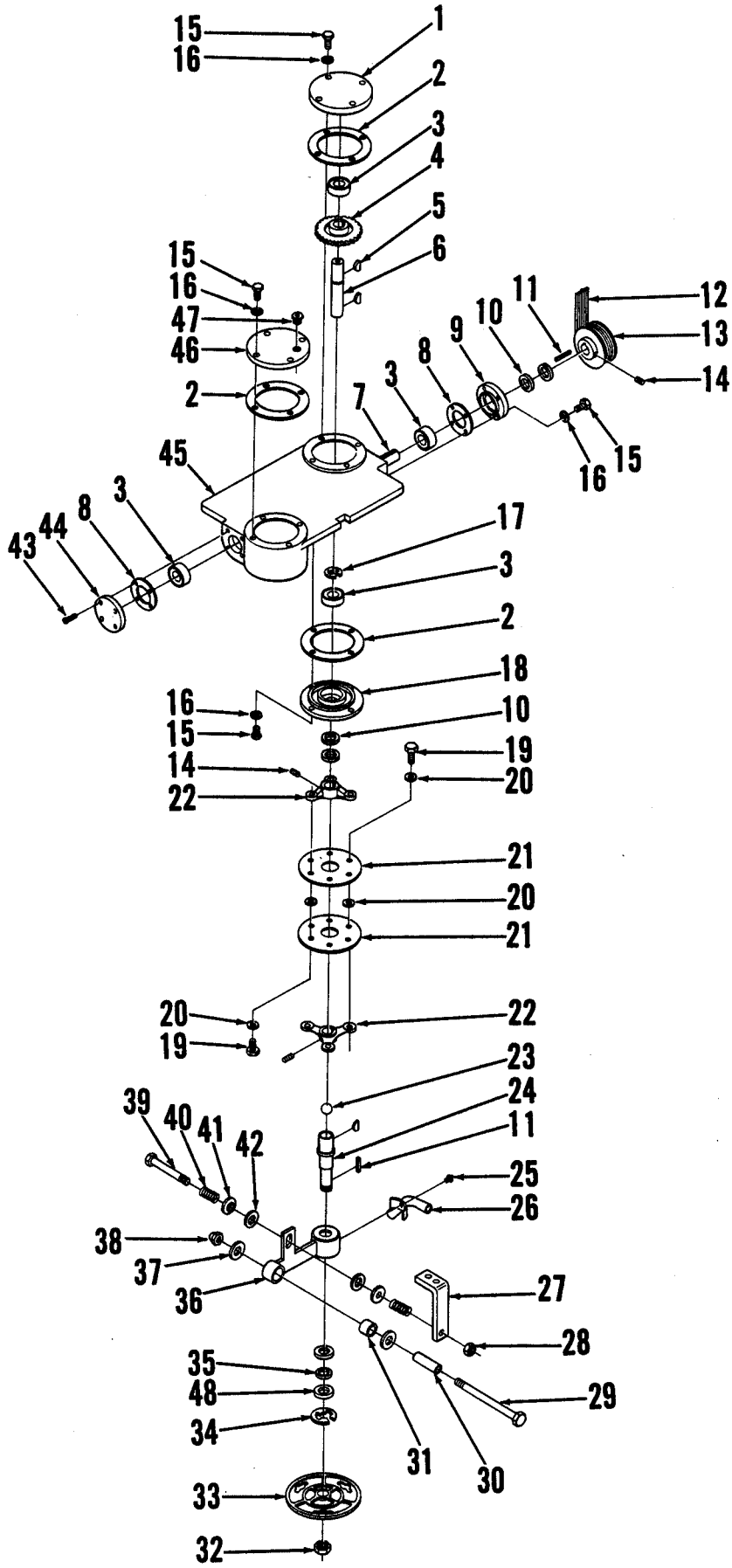
PARTS NOT SHOWN ON
SQUEEGEE MOUNT, ITEM 10:
TURNBUCKLES (QTY 2) #374940
JAM NUT (QTY 2) 5/16 - 24 LEFT HAND



550 400 DRY PICKUP TOOL ASSY.

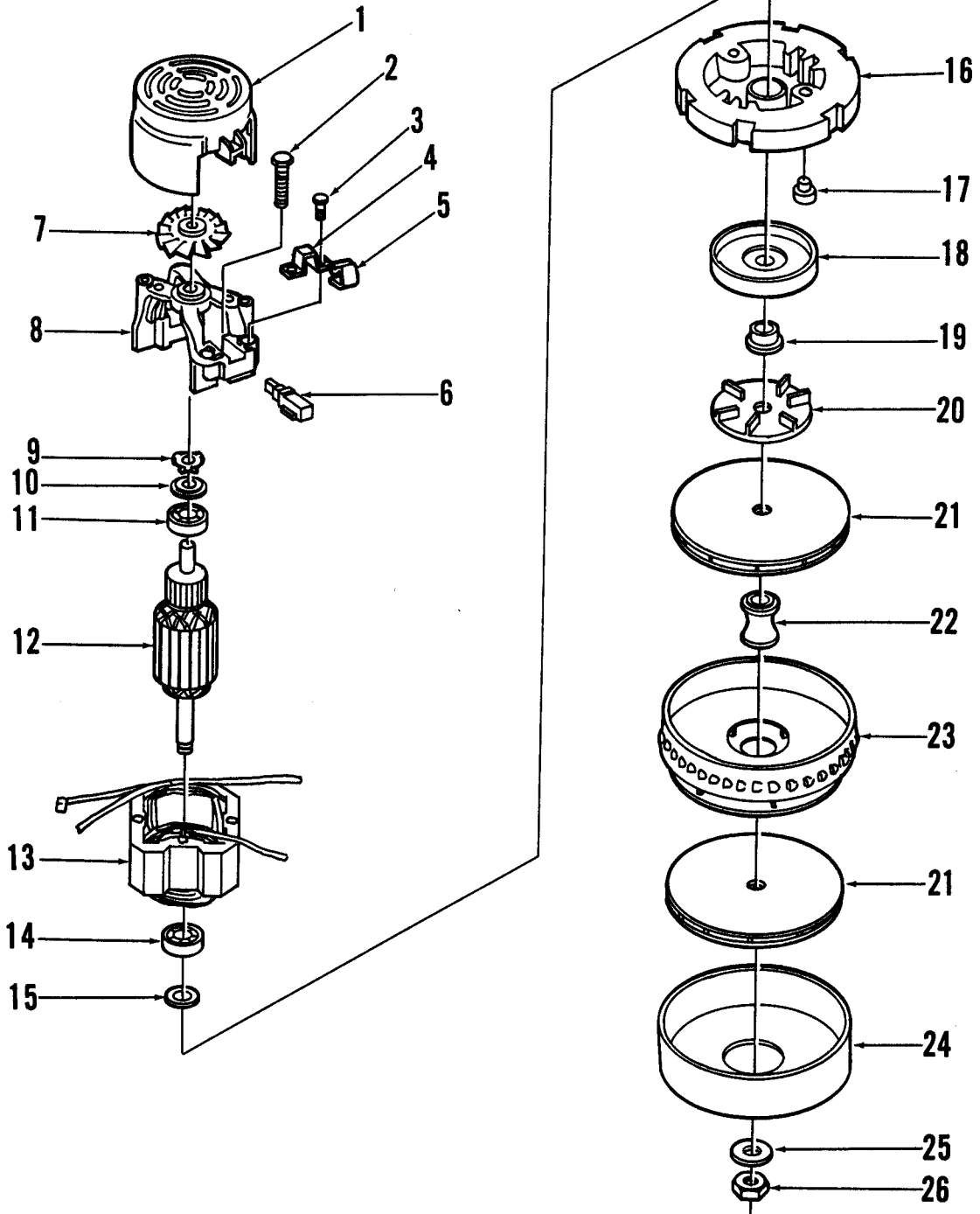
SQUEEGEE & MOUNT ASSEMBLIES

Item	Part No.	Qty	Description
1		2	Screw, 1/4-20 x 5/8
2		4	Washer, Lock 1/4
3	206784	2	Bushing
4	371831	1	Arm, Left
	371858	1	Arm, Right (not shown)
5		4	Nut 5/16-24
6		4	Washer, Lock
7	370711	2	Thumb Nut
8	365289	4	Joint, Double Ball
9	371866	1	Spring, Right Hand
10	371795	1	Squeegee Mount
11		4	Nut, 1/4-20
12		14	Washer, 1/4
13	163880	4	Washer, Spring
14	371823	2	U-Clamp
15	206784	2	Bushing
16		2	Screw 1/4-20 x 1-3/4
17		2	Nut, Wing 1/4-20
18	400614	2	Gasket
19		2	Screw 1/4-20 x 1
20	400613	1	Gasket
21	372982	1	Cartridge, Squeegee TSB 401 - G10, TSB 590 - G7
22	372978	1	Channel
23	371009	4	Washer
24	363855	2	Wheel
25	157066	2	Ring, Retaining
26	207306	2	Cuff, Hose
27	550941	1	Hose, Pick-Up
	372962	1	Hose Bracket (not shown)
28	371807	2	Bar, Adjusting
29		2	Roll Pin TSB 392 - G11
30	150142	4	Washer
31	371866	1	Spring, Left Hand
32	366862	2	Bushing
33	365548	2	Lock Assembly
34		2	Screw 1/4-20 x 1-1/2
35	378236	10	Screw
36	371025	1	Strap, Front
37	371033	1	Blade
38	370983	2	Axle
39	371045	1	Tool
40	550412	2	Plate
41	550407	1	Brush Strip
42	378228	10	Screw #8-32 x 9/16
43		2	Screw, Set 1/4-20 x 3/16



GEAR CASE ASSEMBLY

Item	Part No.	Qty	Description	Item	Part No.	Qty	Description
1	366161	1	Cap, Worm Gear	24	366412	2	Shaft
2	366684	A/R	Shim, Red	25	369128	2	Fitting, Grease
	366692	A/R	Shim, Blue	26	369136	1	Pipe, Water Feed Left
	366706	A/R	Shim, Pink		369144	1	Pipe, Water Feed Right
3	366323	6	Bearing, Roller	27	378437	2	Bracket
4	366226	2	Gear, Worm	28		2	Nut 3/8-16
5	366366	6	Key, Woodruff	29	440787	2	Bolt
6	366307	2	Shaft, Worm Gear TSB610, G-4	30	440698	2	Spacer, Bushing
7	550170	1	Shaft, Double Worm	31	114545	2	Bushing, Rubber
8	366714	A/R	Shim, Red	32	366420	2	Nut
	366722	A/R	Shim, Blue	33	367931	2	Holder, Brush
	366730	A/R	Shim, Pink	34	366544	2	Retaining Ring
9	366129	1	Cap, Gear Case	35	366528	2	Bushing, Rubber
10	366331	6	Seal, Grease	36	550206	2	Arm Assembly (with Bearings)
11	367958	3	Key, Square		550190	2	Arm
12	372242	1	Belt	37		6	Washer 1/2
13	372889	1	Sheave	38		2	Nut Acorn
14		5	Screw Socket Set	39		2	Screw 3/8-16 x 2-3/4
15	366285	20	Screw	40	171177	4	Spring
16		20	Washer Lock	41	440760	4	Washer
17	366358	2	Retaining Ring	42	367184	4	Bearing, Thrust
18	366218	2	Cap, Bottom	43		4	Screw Flat Head 1/4-20 x 1/2
19	366447	12	Screw	44	550920	1	Cap, Worm Shaft
20		24	Washer 3/8	45	550906	1	Gear Case
21	104647	4	Disc, Thermoid	46	366188	1	Cap, Worm Gear
22	366382	4	Casting, Universal	47	366269	1	Plug, Vented
23	366404	2	Ball	48	372773	4	Bearing, Ball



VACUUM MOTOR ASSEMBLY

Item	Part No.	Qty	Description
1	208110	1	Housing
2	372574	2	Screw
3	372570	5	Screw
4	207285	2	Clamp
5	202302	2	Clip
6	372572	2	Brush
7	203591	1	Fan
8	207234	1	End Bracket
9	202843	1	Load Spring
10	249735	1	Disc
11	203587	1	Bearing
12	372590	1	Armature
13	208280	1	Field
14	228051	1	Bearing
15	203461	1	Washer
16	372578	1	Fan End Bracket
17	372580	1	Check Valve
18	372582	1	Air Seal Shell
19	372584	1	Spacer
20	372586	1	Fan
21	372588	2	Rotating Fan
22	203516	1	Spacer
23	203394	1	Stationary Fan
24	203408	1	Shell
25	203432	1	Washer
26	203440	1	Nut

WIRING DIAGRAM

