

Model U1500



Operating Instructions

Read these instructions before using the machine.

THIS PAGE LEFT BLANK INTENTIONALLY

MODEL _____

DATE OF PURCHASE _____

SERIAL NUMBER _____

YOUR DEALER

Name: _____

Address: _____

Phone Number: _____

TABLE OF CONTENTS

Machine Data Log/Overview..... 2
Table of Contents..... 3

HOW TO USE THIS MANUAL

How to use this Manual..... 1-1

SAFETY

Important Safety Instructions..... 2-1
Hazard Intensity Level..... 2-2
Grounding Instructions..... 2-3

OPERATION

Technical Specifications..... 3-1
Handle Installation..... 3-2
Operation..... 3-3
Pad Driver Installation..... 3-4

MAINTENANCE

Machine Troubleshooting..... 4-1
Wiring Diagram/Notes..... 4-2

GROUP PARTS LIST

Motor Group..... 5-1
Frame Group..... 5-3
Drive/Pad Lock Group..... 5-5
Handle Group..... 5-7
Wiring Group..... 5-9
Suggested Spare Parts..... 5-11
Warranty..... 5-12

HOW TO USE THIS MANUAL

This manual contains the following sections:

- HOW TO USE THIS MANUAL
- SAFETY
- OPERATIONS
- MAINTENANCE
- PARTS LIST

The HOW TO USE THIS MANUAL section will tell you how to find important information for ordering correct repair parts.

Parts may be ordered from authorized Windsor dealers. When placing an order for parts, the machine model and machine serial number are important. Refer to the MACHINE DATA box which is filled out during the installation of your machine. The MACHINE DATA box is located on the inside of the front cover of this manual.

MODEL _____
DATE OF PURCHASE _____
SERIAL NUMBER _____
SALES REPRESENTATIVE # _____
DEALER NAME _____
OPERATIONS GUIDE NUMBER _____
PUBLISHED _____

The SAFETY section contains important information regarding hazard or unsafe practices of the machine. Levels of hazards is identified that could result in product or personal injury, or severe injury resulting in death.

The OPERATIONS section is to familiarize the operator with the operation and function of the machine.

The MAINTENANCE section contains preventive maintenance to keep the machine and its components in good working condition.

The PARTS LIST section contains assembled parts illustrations and corresponding parts list. The parts lists include a number of columns of information:

- **REF** – column refers to the reference number on the parts illustration.
- **PART NO.** – column lists the part number for the part.
- **QTY** – column lists the quantity of the part used in that area of the machine.
- **DESCRIPTION** – column is a brief description of the part.
- **SERIAL NO. FROM** – column indicates the first machine the part number is applicable to. When the machine design has changed, this column will indicate serial number of applicable machine. The main illustration shows the most current design of the machine. The boxed illustrations show older designs.
- **NOTES** – column for information not noted by the other columns.

NOTE: If a service or option kit is installed on your machine, be sure to keep the KIT INSTRUCTIONS which came with the kit. It contains replacement parts numbers needed for ordering future parts.

IMPORTANT SAFETY INSTRUCTIONS

When using an electrical appliance, basic precaution must always be followed, including the following:

READ ALL INSTRUCTIONS BEFORE USING THIS MACHINE.



To reduce the risk of fire, electric shock, or injury:

- Use only indoors. Do not use outdoors or expose to rain.
- Use only as described in this manual. Use only manufacturer's recommended components and attachments.
- If the machine is **not working properly**, has been dropped, damaged, left outdoors, or dropped into water, return it to an authorized service center.
- Do not operate the machine with any openings blocked. Keep openings free of debris that may reduce airflow.
- Machine can cause a fire when operating near flammable vapors or materials. Do not operate this machine near flammable fluids, dust or vapors.
- This machine is suitable for commercial use, for example in hotels, schools, hospitals, factories, shops and offices for more than normal housekeeping purposes.
- Maintenance and repairs **must be done** by qualified personnel.
- During operation, attention shall be paid to other persons, especially children.
- The machine shall only be operated by instructed and authorized persons.
- When leaving unattended, unplug the machine.
- Do not handle the plug or machine with wet hands.
- Do not unplug machine by pulling on cord. To unplug, grasp the plug, not the cord.
- Do not use with damaged cord or plug. Follow all instructions in this manual concerning grounding the machine.
- Do not pull or carry by cord, use cord as a handle, close a door on cord, or pull cord around sharp edges or corners.
- Do not pull/run machine over cord. **Keep** cord away from heated surfaces.
- Connect to a **properly** grounded outlet. See Grounding Instructions.

SAVE THESE INSTRUCTIONS

HAZARD INTENSITY LEVEL

The following symbols are used throughout this guide as indicated in their descriptions:

HAZARD INTENSITY LEVEL

There are three levels of hazard intensity identified by signal words -**WARNING** and **CAUTION** and **FOR SAFETY**. The level of hazard intensity is determined by the following definitions:

WARNING

WARNING - Hazards or unsafe practices which **COULD** result in severe personal injury or death.

CAUTION

CAUTION - Hazards or unsafe practices which could result in minor personal injury or product or property damage.

FOR SAFETY: To identify actions which must be followed for safe operation of equipment.

Report machine damage or faulty operation immediately. Do not use the machine if it is not in proper operating condition. Following is information that signals some potentially dangerous conditions to the operator or the equipment. Read this information carefully. Know when these conditions can exist. Locate all safety devices on the machine. Please take the necessary steps to train the machine operating personnel.

FOR SAFETY:

DO NOT OPERATE MACHINE:

Unless Trained and Authorized.

Unless Operation Guide is Read and understood.

In Flammable or Explosive areas.

In areas with possible falling objects.

WHEN SERVICING MACHINE:

Avoid moving parts. Do not wear loose clothing; jackets, shirts, or sleeves when working on the machine. Use Windsor approved replacement parts.

GROUNDING INSTRUCTIONS

THIS PRODUCT IS FOR COMMERCIAL USE ONLY.

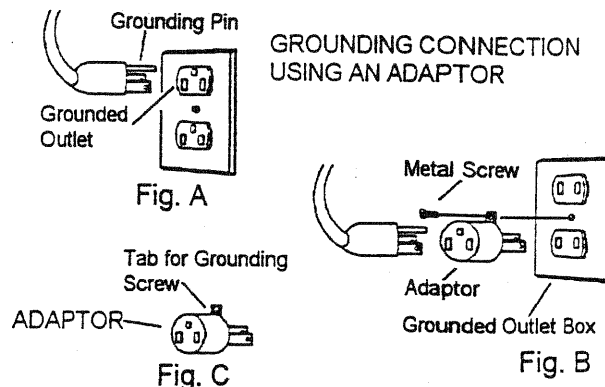
ELECTRICAL:

In the USA this machine operates on a 15 amp nominal 120V, 60 hz, A.C. power circuit. The amp, hertz, and voltage are listed on the data label found on each machine. Using voltages above or below those indicated on the data label will cause serious damage to the motors.

GROUNDING INSTRUCTIONS:

This appliance must be grounded. If it should malfunction or break down, grounding provides a path of least resistance for electric current to reduce the risk of electric shock. This appliance is equipped with a cord having an equipment-grounding conductor and grounding plug. The plug must be inserted into an appropriate outlet that is properly installed and grounded in accordance with all local codes and ordinances.

This appliance is for use on a nominal 120-volt circuit, and has a grounded plug that looks like the plug in "Fig. A". A temporary adaptor that looks like the adaptor in "Fig. C" may be used to connect this plug to a 2-pole receptacle as shown in "Fig. B", if a properly grounded outlet is not available. The temporary adaptor should be used only until a properly grounded outlet (Fig. A) can be installed by a qualified electrician. The green colored rigid ear, lug, or the like extending from the adaptor must be connected to a permanent ground such as a properly grounded outlet box cover. Whenever the adaptor is used, it must be held in place by a metal screw.



Note: Adaptors are not allowed in Canada.

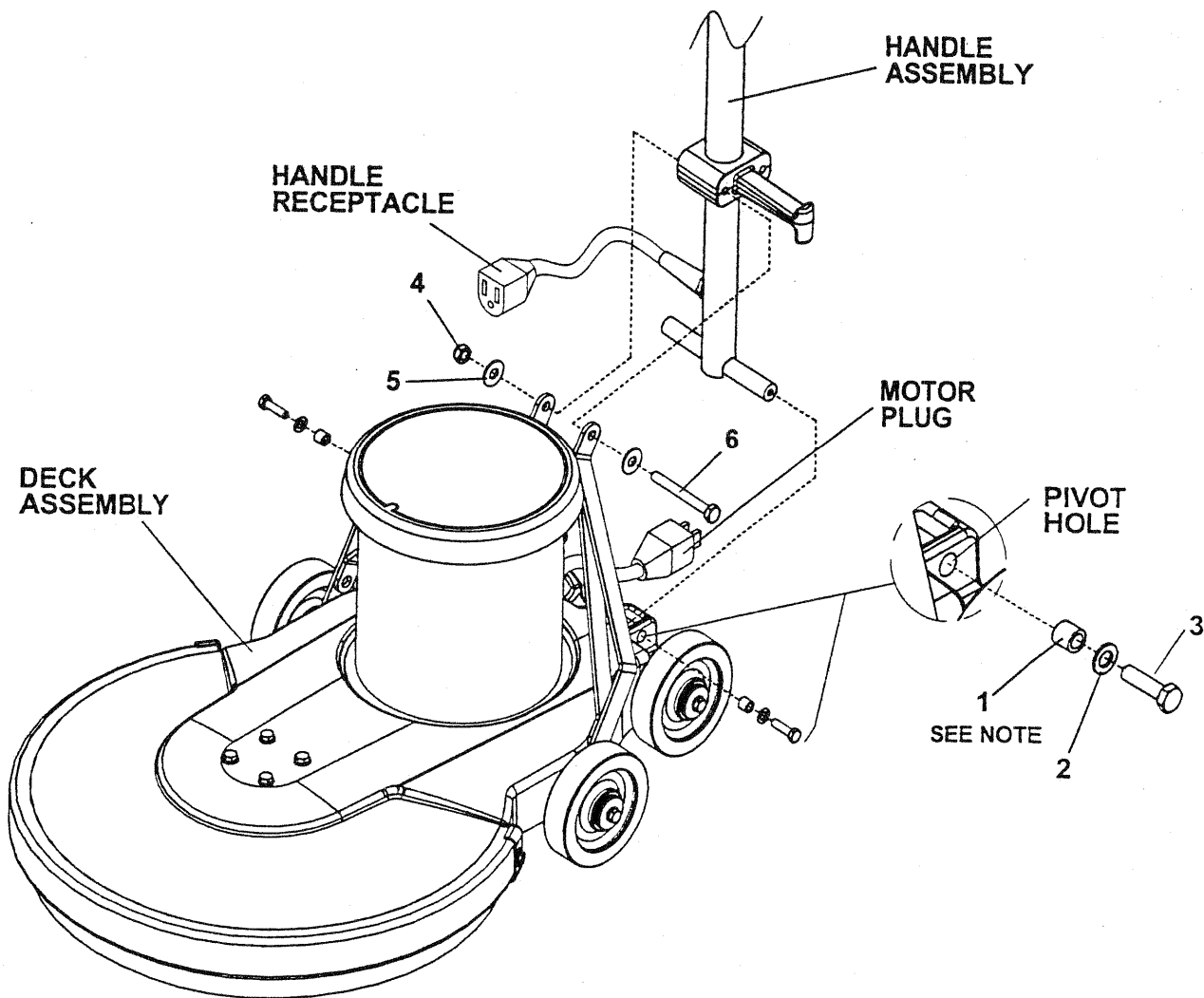
⚠ WARNING

Improper connection of the equipment-grounding conductor can result in a risk of electric shock. Check with a qualified electrician or service person if you are in doubt as to whether the outlet is properly grounded. Do not modify the plug provided with the appliance - if it will not fit the outlet, have a proper outlet installed by a qualified electrician.

TECHNICAL SPECIFICATIONS

ITEM	DIMENSION/CAPACITY
Construction	Heavy-duty die cast aluminum deck with heavy-duty rubber bumper, tubular steel adjustable handle with die cast aluminum handle housing and belt driven pad.
Motor	1.75 hp
Pad speed	1500 rpm
Electrical system	115 volts, 60 Hz
Cable	50' (23 m), 14/3, built in cord wrap
Switches	Dual levers with safety lock
Wheels	Four 5" (12.7 cm) dia., 1.25" (3 cm) wide, non-marking tread
Handle	1.5" (4 cm) tubular steel, adjustable, easy to use thumb activated safety lock
Dimensions (L x W x H)	31.5" (80 cm) X 21.5" (54 cm) X 43.5" (111 cm)

HANDLE INSTALLATION



The machine is shipped with handle unassembled.

Follow these steps for installation:

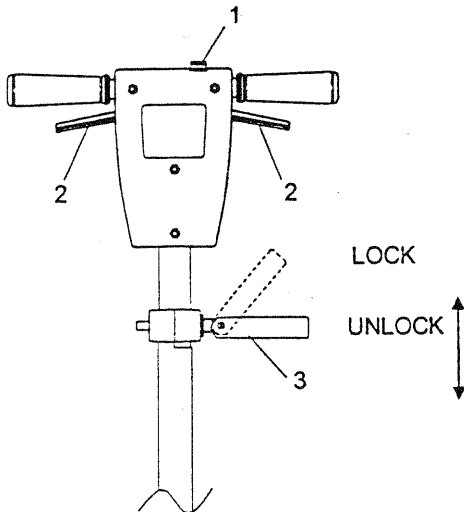
1. Remove handle (38293) and deck assembly (29238) from carton.
2. Attach handle assembly to base using hardware kit (47331) (attached to handle in a plastic bag) items 1, 2, and 3.
3. Remove bolt, nut and washers (items 4, 5 and 6) from lower block on handle assembly. Attach links as shown. Tighten bolt and nut securely, then back off 1/4 to 1/2 turn.
4. Check handle for movement up and down.
5. Plug motor cord into handle cord receptacle.

NOTE: The spacers (items 1) are required for the correct operation of the handle. The spacers are positioned completely inside the pivot holes in the casting, and are held in place by tightening the bolts and washers (items 2 and 3) against the spacer.

OPERATION

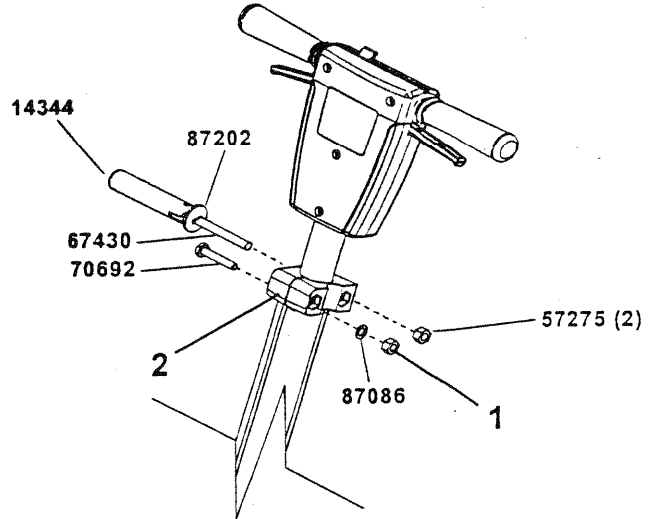
CONTROLS

1. **Safety Lock** – Prevents unintended operation of the machine.
2. **Switch Levers** – Turns machine on/off.
3. **Adjustment Handle** – Allows the handle to be adjusted to a comfortable operating position.

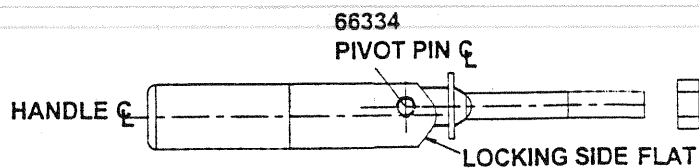
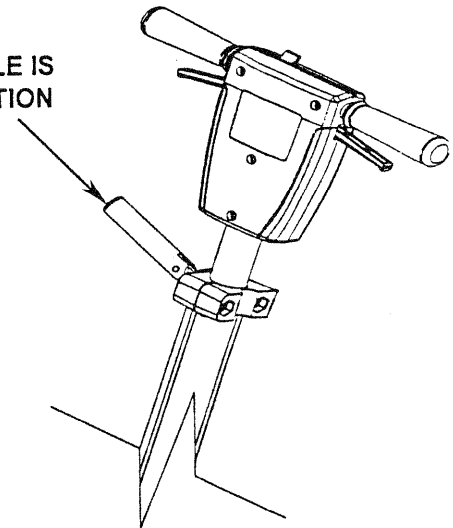


The handle adjust bar (14344) for the polishers are individually preset at the factory for optimum locking efficiency and minimum effort of engaging. It should not be necessary to adjust the handle adjust bar unless the relationship of the handle adjust bar nut (57275) or fixed clamp bolt (70692) and their corresponding nuts (57275) and washer (87086) have been disturbed. The handle can be positioned to be locked with the handle adjust bar pointing either up or down. In order to change the position the handle and bolt must be removed and rotated 180 degrees. It is incorrect to make it lock opposite from the way it was assembled by applying more force to the nut. From the factory the locking is in the up position when the machine handle is locked. The pivot pin (66334) on the handle adjust bar is off center, in relationship of the screw to the axis of the (see drawing). To adjust handle adjust bar, tighten nut on handle while in the locked position. The handle is locked when the screw is to the outside of the machine and the flat on the opposite side of the handle is flush to the bracket.

1. To adjust handle lock, tighten nut on handle while in the locked position. Optimum locking force and ease of locking is accomplished when the locking lever nut is set to a torque of 30 to 50 inch pounds in the locked position.
2. Gap between clamp halves at the front should be to the gap in rear when the handle adjust bar is adjusted properly and in the locked position (gap approximately 1/16").



SHOWN HANDLE IS IN LOCK POSITION



OPERATION

OPERATION

⚠ CAUTION

For indoor use only.

When using the pad, always keep the machine moving when in contact with the floor.

⚠ WARNING

High starting torque. Hold machine firmly with both hands.

1. Ensure that the pad driver is in good shape. Install or change pad if necessary.
2. Plug the machine into a wall outlet as described in the grounding instructions.
3. Lower the handle by unlocking the adjustment handle and moving the handle into position. Relock the handle when it is in a comfortable position.

⚠ WARNING

Insure that handle is locked in position before starting machine.

4. Push the safety lock forward, unlocking the switch levers.
5. With the safety lock forward, squeeze one or both of the switch levers, turning the machine on. (These levers can be operated independently of each other). The safety lock will not re-engage until both levers are released.
6. To stop the machine, release the switch levers.
7. Do not let machine rest on pad. When finished with the machine, return handle to the storage position.

NOTE: The machine is equipped with a circuit breaker to protect the motor in the event an overload condition occurs. The circuit breaker is located on the rear of the motor. Push the reset button to restart the machine. If the breaker trips again, correct the cause of overloading before proceeding.

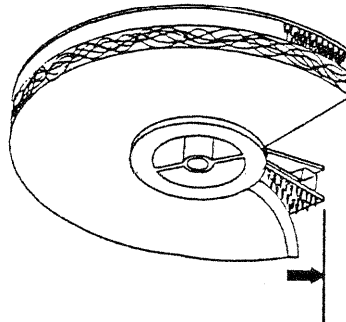
DAILY MAINTENANCE

1. Inspect power cord for wear. To prevent electrical shock replace cords with frayed or cracked insulation immediately.
2. Place machine in the storage position.
3. Check pad condition. Change if soiled or torn.

PAD INSTALLATION

1. Lay machine back, exposing the under side.

Ensure pad is centered on pad driver. Pull pad to edge of pad driver in several directions to check for proper engagement.



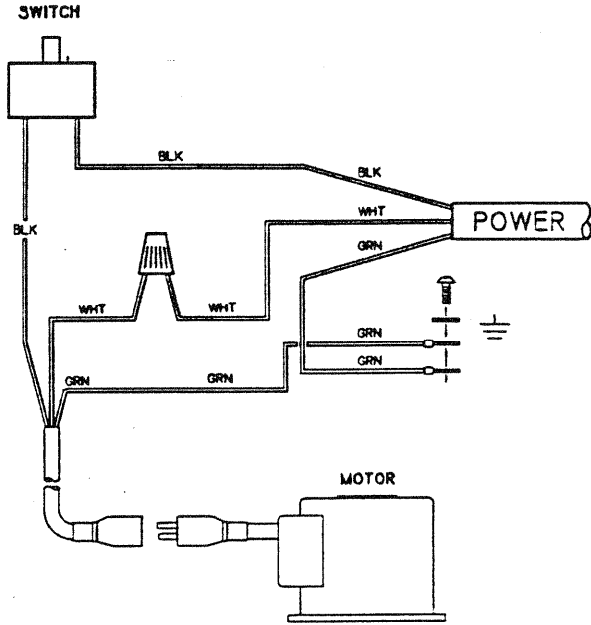
NOTE: Use care when replacing center lock to prevent cross threading.

THIS PAGE LEFT BLANK INTENTIONALLY

MACHINE TROUBLESHOOTING

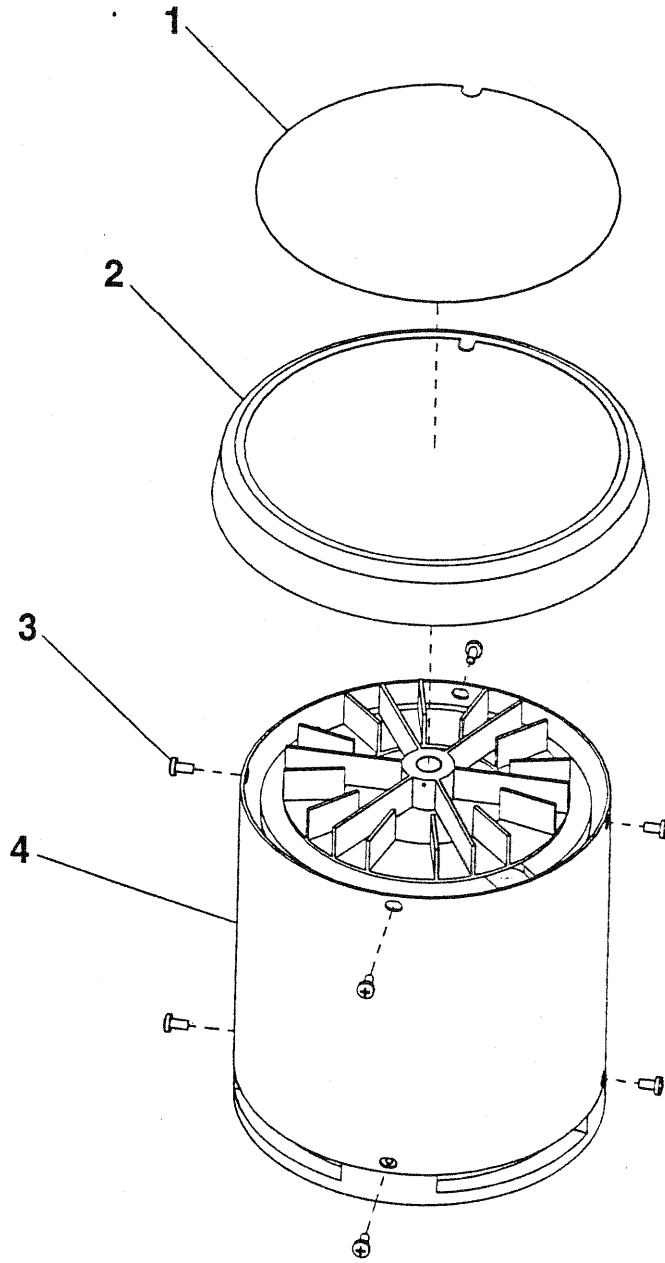
PROBLEM	CAUSE	SOLUTION
Machine will not run	Circuit breaker tripped in building.	Check and reset
	Power switch failure	Test switch for continuity and replace if necessary.
	Tripped circuit breaker	Reset
	Faulty power cord	Replace
	Fuse in motor is blown	Replace CAUTION: To reduce the risk of electrical shock, unplug the machine before opening fuse holder. Fuse will only open under extreme conditions. Investigate cause before replacing.
Electrical shock	Equipment not grounded	Follow grounding instructions exactly.
	Receptacle not grounded	Have an electrician inspect building's wiring.
	Internal wiring problem	Ensure that the machine wiring matches the appropriate wiring diagram. Replace any wires or components which are short circuiting.
Repeated circuit breaker tripping	Mechanical problem	Higher amp draws indicate a mechanical problem, find the problem before using the machine.
	Faulty circuit breaker	Test circuit for continuity. Replace circuit breaker if necessary.
Excessive vibration	Pad not centered	Re-center pad.
	Damaged or unevenly worn pad.	Replace pad. Do not rest machine on pad when not in use.
	Damaged pad driver.	Replace.
Pad does not turn but motor is running	Belt is loose or broken	Adjust or replace belt

115V Diagram Single Speed



NOTES:

MOTOR GROUP

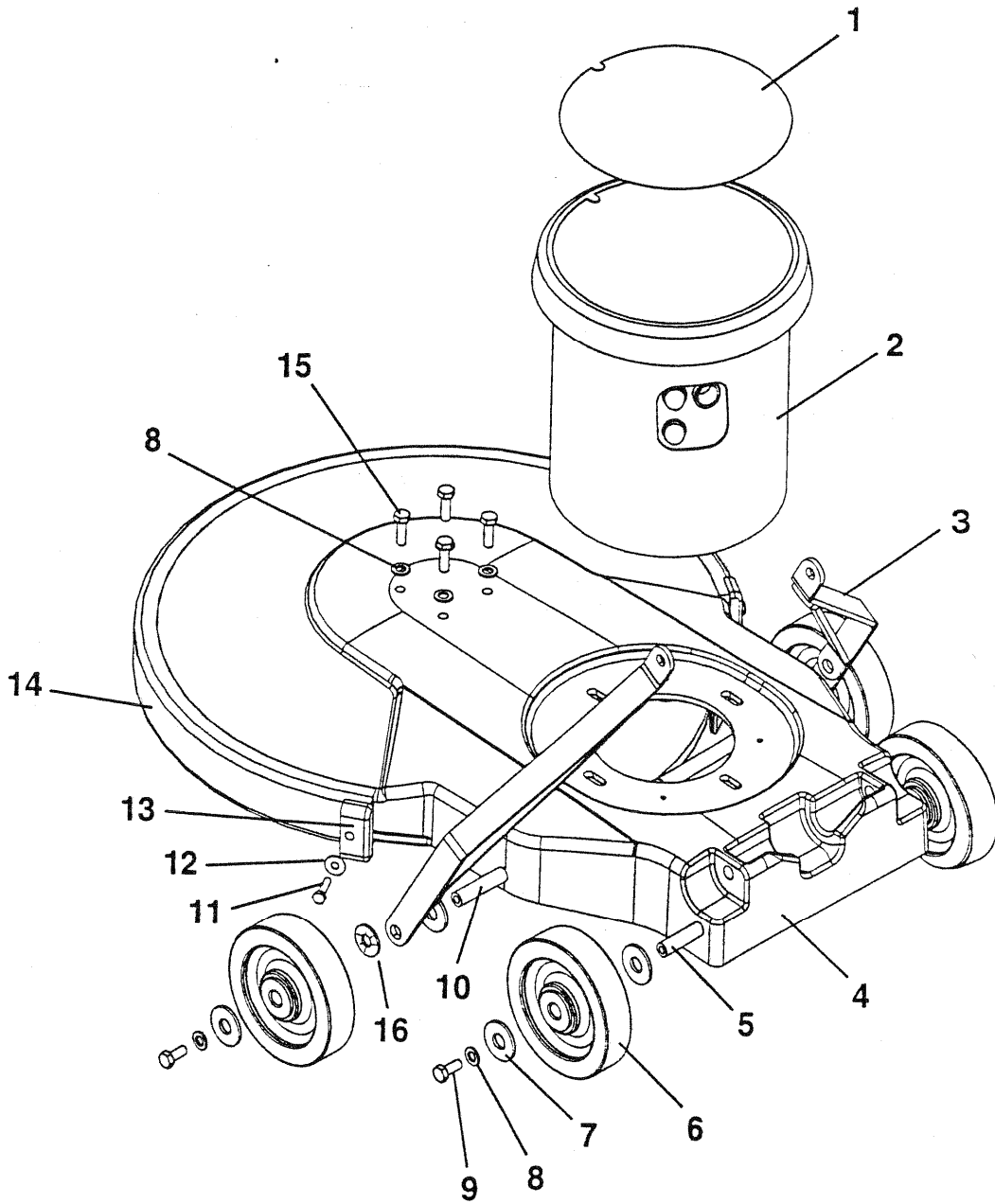


MOTOR GROUP

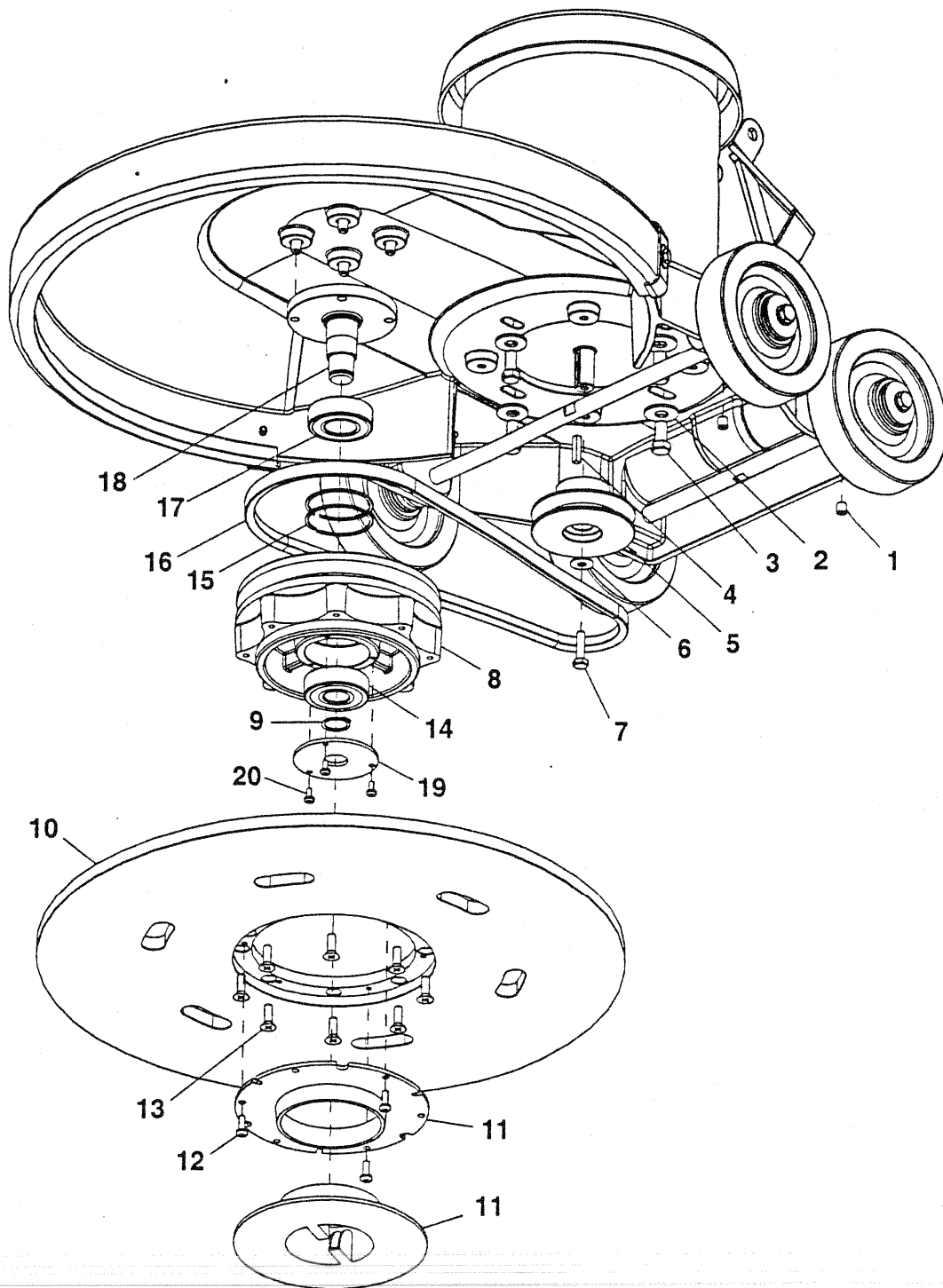
REF	PART NO.	QTY	DESCRIPTION	SERIAL NO. FROM	NOTES:
1	500288	1	LABEL, U1500 MAIN		
2	27892	1	COVER ASM, MOTOR 1.75HP		
3	70700	8	SCR, M5 X .8 X 10MM PHMS BLK		
4	53249	1	MOTOR, 115V 1.75 HP		

MOTOR COMPONENTS (NOT SHOWN)

REF	PART NO.	QTY	DESCRIPTION	SERIAL NO. FROM	NOTES:
	140411	1	CIRCUIT BREAKER, 20 AMP		
	67029	1	RECTIFIER		
	14404	1	BRUSH SET MP MOTOR (PKG OF 4)		
	34378	1	FUSE		
	34379	1	FUSE HOLDER		
	09135	2	BEARING, MOTOR		



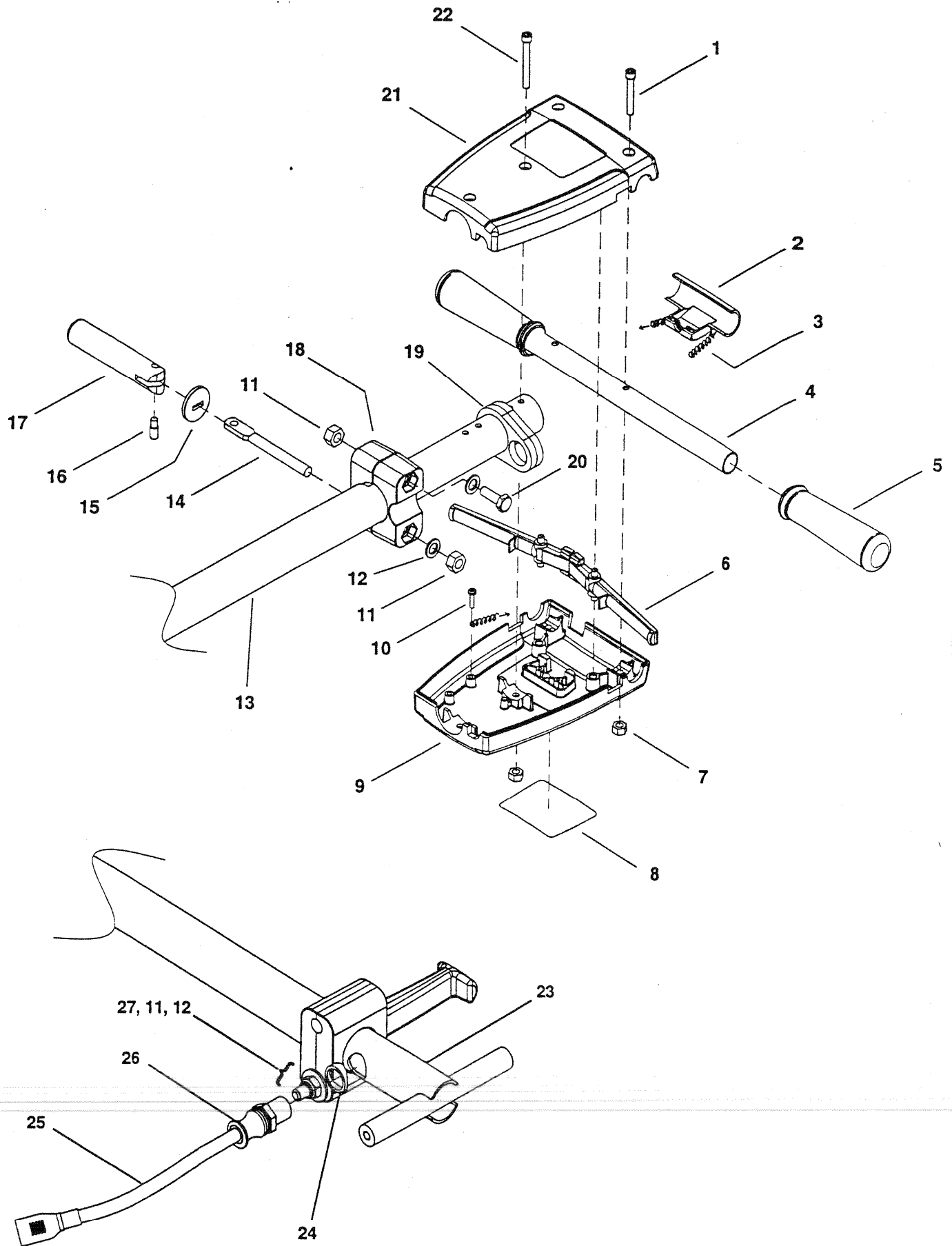
REF	PART NO.	QTY	DESCRIPTION	SERIAL NO. FROM	NOTES:
1	500288	1	LABEL, MAIN		
2	53249	1	MOTOR, 115VOLT 1.75HP 3000RPM		
3	140397	2	BRACKET, HANDLE LINK		
4	29229GRY	1	DECK, 20 IN BURNISHER, GRAY		
5	03111	1	AXLE, MAIN POLISHER		
6	89206	4	WHEEL, 5D X 1.25 X 13MM ID GRY		
7	87203	8	WASHER, 14MM ID X 36MM OD		
8	87054	8	WASHER, M8		
9	70262	4	SCR, M8 X 20 HHMS		
10	03116	1	AXLE, MAIN BURNISHER		
11	70691	2	SCR, M6 X 25 HHCS		
12	87211	2	WASHER, M6 FLAT		
13	27871	2	CAP, EXTRUSION		
14	14423	1	BUMPER, EXTRUSION 44.30 IN		
15	70184	4	SCR, M8 X 25HHCS		
16	57276	2	NUT, PUSH FLAT RD .51 ID		



DRIVE/PAD LOCK GROUP

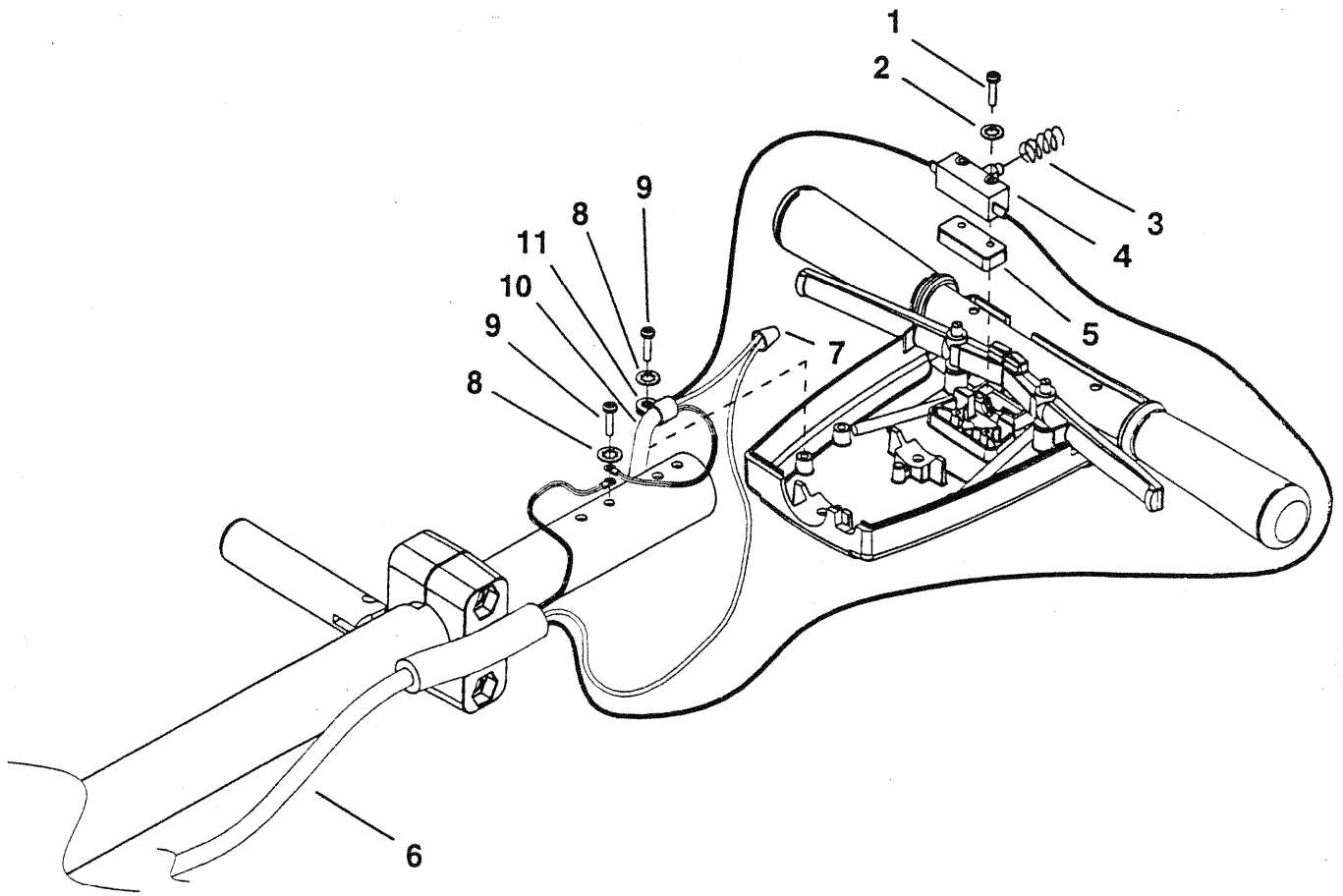
REF	PART NO.	QTY	DESCRIPTION	SERIAL NO. FROM	NOTES:
1	70709	2	SCR, SET M8 X 1.25 X 8MM CUP POINT		
2	87086	4	WASHER, M10		
3	70507	4	SCR, 3/8-16 X 3/4 HHCS GR5		
4	48041	1	KEY, 3/16 X 7/8		
5	64106	1	PULLEY, .625 X 3.45		
6	87218	1	WASHER, M6 (20.5OD X 1.67) PLT		
7	70505	1	SCR, 1/4-20 X 1.00 HHCS GR5		
8	64107	1	PULLEY, BURNISHER		
9	67449	1	RING, 20M EXTERNAL SNAP		
10	66337	1	PAD DRIVER, 20 IN BURNISHER		
11	51353	1	LOCK, PAD DRIVER BLUE		
12	70720	3	SCR, #10 X 3/8 PPHST TYPE B		
13	70201	8	SCR, 1/4-20 X 3/4 FHCS		
14	09133	1	BEARING, 20MM X 52MM		
15	67450	2	RING, 52MM INTERNAL SNAP		
16	14424	1	BELT, DRIVE 38 IN		
17	09134	1	BEARING, 25MM X 52MM		
18	03115	1	AXLE, PAD DRIVER (MM)		
19	27913	1	COVER, BEARING		
20	70719	3	SCR, M4 X 8MM PPHMS		

HANDLE GROUP



HANDLE GROUP

REF	PART NO.	QTY	DESCRIPTION	SERIAL NO. FROM	NOTES:
1	70686	2	SCR, M6 X 45 SHCS BLK		
2	51326	1	LOCK, SAFETY HANDLE		
3	73990	2	SPRING, EXT. .50D X 3.5L		
4	78437	1	TUBE, GRIP HANDLE		
5	36196	2	GRIP, POLISHER HANDLE		
6	51327	2	LEVER, SWITCH		
7	57274	4	NUT, M6 X 1		
8	500194	1	LABEL, WARNING		
9	41363	1	HOUSING, POLISHER HANDLE FRONT		
10	70689	2	SCR, M4.8 X 10 HHTF TYPE B		
11	57275	3	NUT, M10 X 1.5 HEX NYLOCK PLTD		
12	87086	3	WASHER, M10 X 30 PLTD		
13	78544	1	TUBE ASM, HANDLE ETXND		
14	67430	1	ROD, HANDLE ADJUSTMENT		
15	87202	1	WASHER, BEARING (HANDLE ADJ)		
16	66334	1	PIN, PIVOT HANDLE ADJUSTMENT		
17	14344	1	BAR, HANDLE ADJUSTMENT		
18	140393	1	BLOCK, HANDLE MOUNT		
19	14434	2	BUMPER, BURNISHER HANDLE		
20	70692	1	SCR, MID X 75 HHCS PLTD		
21	41366	1	HOUSING, POLISHER HANDLE FRONT		
22	70687	2	SCR, M6 X 50 SHCS BLK		
23	38316	1	HANDLE, BRNSHR EXTND		
24	730021	1	SPACER, POLISHER HANDLE		
25	23206	1	CORDSET, 14/3 X 52 IN, SJT, BLACK		
26	730012	1	STRAIN RELIEF, 14/3 STRAIGHT		
27	70701	1	SCR, M10 X 1.5 X 90 HHCS PLTD		



WIRING GROUP

REF	PART NO.	QTY	DESCRIPTION	SERIAL NO. FROM	NOTES:
1	70688	2	SCR, M3.5 X 30 HHTF TYPE B		
2	87057	2	WASHER, M4 SHAKEPROOF		
3	73993	1	SPRING, COMP, .48OD X .875L		
4	72123	1	SWITCH, 25A SPST 125-250V SNAP		
5	73989	1	SPACER, SWITCH POLISHER		
6	23167	1	CORD SET, 14/3 STO X 50' YLW		
7	57069	1	NUT, ORG WIRE (2-5 18G/2-14G)		
8	87208	2	WASHER, M5 SHAKEPROOF PLTD		
9	70689	2	SCR, M4.8 X 10 HHTF TYPE B		
10	23206	1	CORDSET, 14/3 X 52", SJT, BLK		
11	20005	1	CLAMP, 5/16 NYLON		

SUGGESTED SPARE PARTS

PART NO.	DESCRIPTION	SERIAL NO. FROM	NOTES:
87202	WASHER / BEARING		
73990	SPRING		
73993	SPRING		
72123	SWITCH		
14344	HANDLE, ADJ BAR		
66334	PIN, HANDLE ADJ		
67430	ROD, HANDLE ADJ		
140411	CIRCUIT BREAKER, 20 AMP		
67488	RECTIFIER		
14404	BRUSH SET MP MOTOR (PKG OF 4)		
34378	FUSE		
34379	FUSE HOLDER		
09135	BEARING, MOTOR		
140397	BRACKET, HANDLE LINK		
89206	WHEEL, 5D X 1.25 X 13MM ID GRY		
87203	WASHER, 14MM ID X 36MM OD		
27871	CAP, EXTRUSION		
14423	BUMPER, EXTRUSION 44.30 IN		
57276	NUT, PUSH FLAT RD .51 RD		
67449	RING, 20M EXTERNAL SNAP		
66337	PAD DRIVER, 20IN BURNISHER		
51353	LOCK, PAD DRIVER BLUE		
09133	BEARING, 20MM X 52MM		
14424	BELT, DRIVE 38 IN		
09134	BEARING, 25MM X 52MM		
27913	COVER, BEARING		

3 YEAR PROTECTION PLAN

LIMITED WARRANTY

Allstar warrants new machines against defects in material and workmanship under normal use and service to the original purchaser. The warranty period is subject to the conditions stated below.

3 YEARS FOR PARTS AND 1 YEAR FOR SERVICE LABOR

Exceptions: Rotationally molded polyethylene tanks carry a **6 year parts** and 1 year service labor warranty. JAVELIN™ 14 & 18 models carry a 3 year warranty on brush motors, vacuum motors, and belts, and a 1 year service labor warranty. JAVELIN 12 models carry a 2 year warranty on vacuum motors and belts, and a 1 year service labor warranty. Extractor brush motors, pump motors, pc boards and electronics, vac motors (other than JAVELIN), pumps, and diaphragms, all CATCHER™, CHAMPION™, DECATHLON™, OLYMPIAN™ 10 models carry a 1 year parts and service labor warranty.

Normal wear items including, but not limited to, brushes, capacitors, carbon brushes, clutches, cords, filters, finishes, gaskets, hoses, light bulbs, rectifiers, switches, squeegees, bearings, pulleys, relays, actuating cables and tires will be warranted for manufacturing defects for 90 days from the purchase date.

The warranty commences on the purchase date by the original end user from an authorized Allstar Agent, subject to proof of purchase. The Machine Registration Card must be completed and returned immediately at the time of purchase. If proof of purchase cannot be identified, the warranty start date is 90 days after date of sale to an authorized Allstar distributor. Parts replaced or repaired under warranty are guaranteed for the remainder of the original warranty period.

90 DAY WARRANTY EXTENSION AVAILABLE

Upon receipt of the Machine Registration Card, Allstar will extend the warranty period an additional 90 days from the purchase date.

STATED WARRANTIES ARE IN LIEU OF ALL OTHER WARRANTIES, EXPRESSED OR IMPLIED.

Any statutory implied warranties, including any warranty of merchantability or fitness for a particular purpose, are expressly limited to the duration of this written warranty. Allstar will not be liable for any other damages, including but not limited to indirect or special consequential damages arising out of or in connection with the furnishing; performance, use or inability to use the machine. This remedy shall be the exclusive remedy of the buyer.

This warranty shall not apply to: 1. damage in transit; 2. misuse or abuse (including the use of incompatible or corrosive chemicals or overloading of capacity); 3. failure due to lack of proper maintenance and care (including cleaning); 4. any design alterations performed by an organization not authorized or specified by Allstar; 5. batteries and chargers. 6. high pressure washing. 7. electrical components exposed to moisture.

If difficulty develops during the warranty period, contact the authorized Allstar Agent from whom the product was purchased. Allstar may elect to require the return of components to validate a claim. Any defective part to be returned must be shipped freight pre-paid to an authorized Allstar Distributor/Service Center or to the factory.

USE OF PARTS NOT APPROVED BY ALLSTAR WILL VOID ALL WARRANTIES.

This warranty is valid only for all Allstar products sold after September 15, 1998. A product sold before that date shall be covered by the limited Warranty in effect at the date of sale to the original purchaser.



Revised 6/00