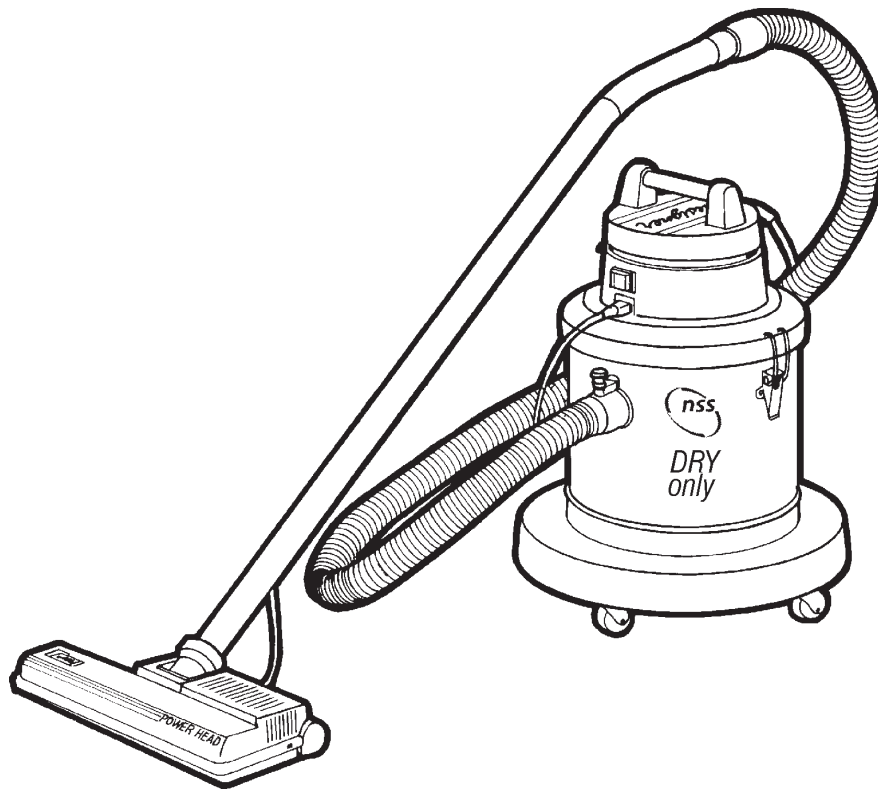


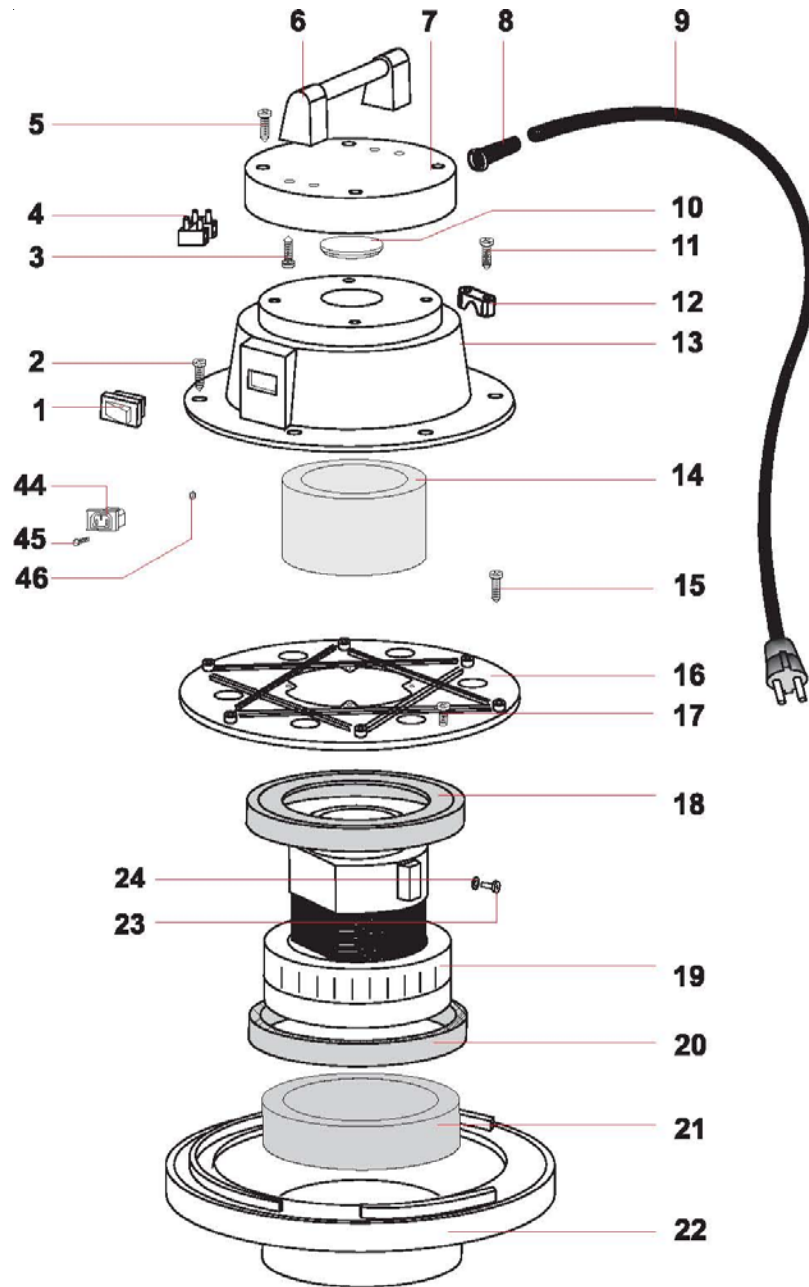
PARTS LIST
DESIGNER DRY VACUUM



MOTOR ASSEMBLY

ITEM	PART #	DESCRIPTION	QTY
1	5790141	SWITCH	1
2	5791441	M5 X 20 THREAD CUTTING SCREW	6
3	5791441	M5 X 20 THREAD CUTTING SCREW	4
4	5791431	TERMINAL BLOCK	1
5	5791451	M5 X 30 THREAD CUTTING SCREW	4
6	5791481	LIFT HANDLE ASSEMBLY	1
7	5790551	TOP COVER - 120 VOLT	1
	5791971	TOP COVER - 240 VOLT	1
8	5791771	STRAIN RELIEF - 120 VOLT	1
	5791021	STRAIN RELIEF - 240 VOLT	1
9	0299621	CORD - 35 FOOT- 18-3 - 120 VOLT	1
	0294391	SHUKO CORD - 50 FOOT - 240 VOLT	1
10	5791861	COVERING CUP	1
11	5791441	M5 X 20 THREAD CUTTING SCREW	2
12	5791041	CORD CLAMP	1
13	5790521	LOWER COVER - WITH PLUG - 120 VOLT	1
	5791961	LOWER COVER - WITH PLUG - 240 VOLT	1
14	5791711	FOAM FILTER	1
15	5797161	M5 X 14 PHILLIPS HEAD SCREW	2
16	5791881	MOTOR SEPARATOR - 120 VOLT	1
	5792021	MOTOR SEPARATOR - 240 VOLT	1
17	5790341	M 5 X 8 THREAD CUTTING SCREW	1
18	5791891	SPACER - 120 VOLT	1
	5792151	SPACER - 240 VOLT	1
19	6793091	MOTOR - 120 VOLT - 60 HZ - REPLACEMENT - LAMB - INCLUDES:	1
19A	5791561	CARBON BRUSH REPLACEMENT FOR ORIGINAL MOTOR	2
	6793411	CARBON BRUSH - REPLACEMENT FOR LAMB MOTOR	2
19	6793321	MOTOR - 240 VOLT - 60 HZ - REPLACEMENT - LAMB - INCLUDES:	1
19A	5791601	CARBON BRUSH REPLACEMENT FOR ORIGINAL MOTOR	2
	4891781	CARBON BRUSH - REPLACEMENT FOR LAMB MOTOR	2
20	5791721	"L" GASKET	1
21	5794081	MOTOR FILTER 65 X 10 X 520	1
22	5791811	BASE WITH GASKET	1
23	5792551	M4 X 8 SCREW - 120 VOLT ONLY	1
24	5792651	M4 HEX NUT WITH STAR LOCK WASHER - 120 VOLT ONLY	1
*	5798361	CONNECT WIRES - BLUE / BROWN - SET OF 2	4
*	5798371	GROUND WIRES - GREEN / YELLOW	3
*	5798381	WIRE TERMINAL	2
*	5798391	WIRE TIES	3
44	5791511	ACCESSORY SOCKET	1
45	5790571	M3 X 16 SCREW	2
46	5790351	M3 NUT	2
N/S	5790971	WARNING DECAL - 120 VOLT ONLY	1
N/S	5790981	GROUNDING DECAL - 120 VOLT ONLY	1
N/S	5790991	ICON ADAPTOR DECAL - 240 VOLT ONLY	1
N/S	5790951	NSS LOGO - DECAL 3.5 X 7	2
N/S	5791001	DRY ONLY DECAL	1
N/S	5790911	NAME IDENTIFIER DECAL	1

MOTOR ASSEMBLY



FILTER ASSEMBLY

<u>ITEM</u>	<u>PART #</u>	<u>DESCRIPTION</u>	<u>QTY</u>
1	5791181	LID FILTER	1
2	5791191	BAG SHAPER	1
3	5792631	M5 X 35 THREAD CUTTING SCREW	4
	5791521	FILTER ASSEMBLY - INCLUDES:	
4	5791201	BAG RING	1
5	5790231	POLYESTER FILTER	1

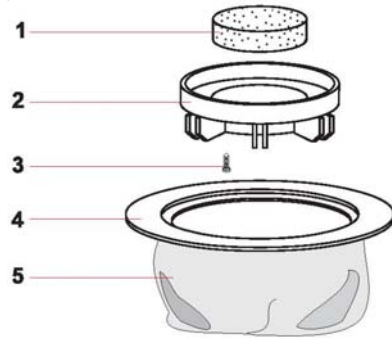
TANK ASSEMBLY

<u>ITEM</u>	<u>PART #</u>	<u>DESCRIPTION</u>	<u>QTY</u>
1	5790561	TANK	1
2	5791361	M5 X 11 POP RIVET	4
3	5792531	LID CLAMP	2
4	5791451	M5 X 30 THREAD CUTTING SCREW	4
5	5796021	INTAKE GASKET	1
6	5796551	INTAKE SUPPORT	1
8	5793381	INTAKE DEFLECTOR	1
10	5796031	PLASTIC INTAKE COMPLETE - INCLUDES:	1
	5793411	INTAKE - PLASTIC	1
7	5793371	SPRING	1
9	5793361	BUTTON - INTAKE	1

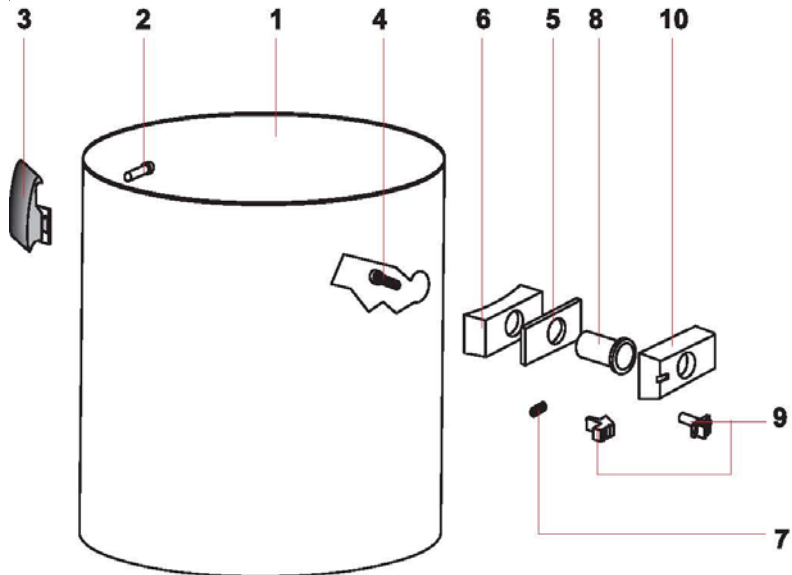
TRANSPORT ASSEMBLY

<u>ITEM</u>	<u>PART #</u>	<u>DESCRIPTION</u>	<u>QTY</u>
1	5791341	8M HEX CAP NUT	4
2	5791331	8M X 24 WASHER	4
3	5790251	BASE - 500	1
4	5791311	CASTER - THREADED BALL TYPE	4

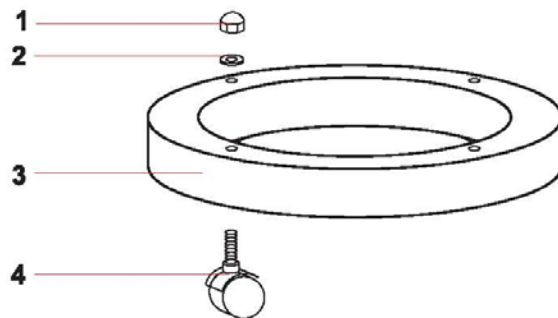
FILTER ASSEMBLY



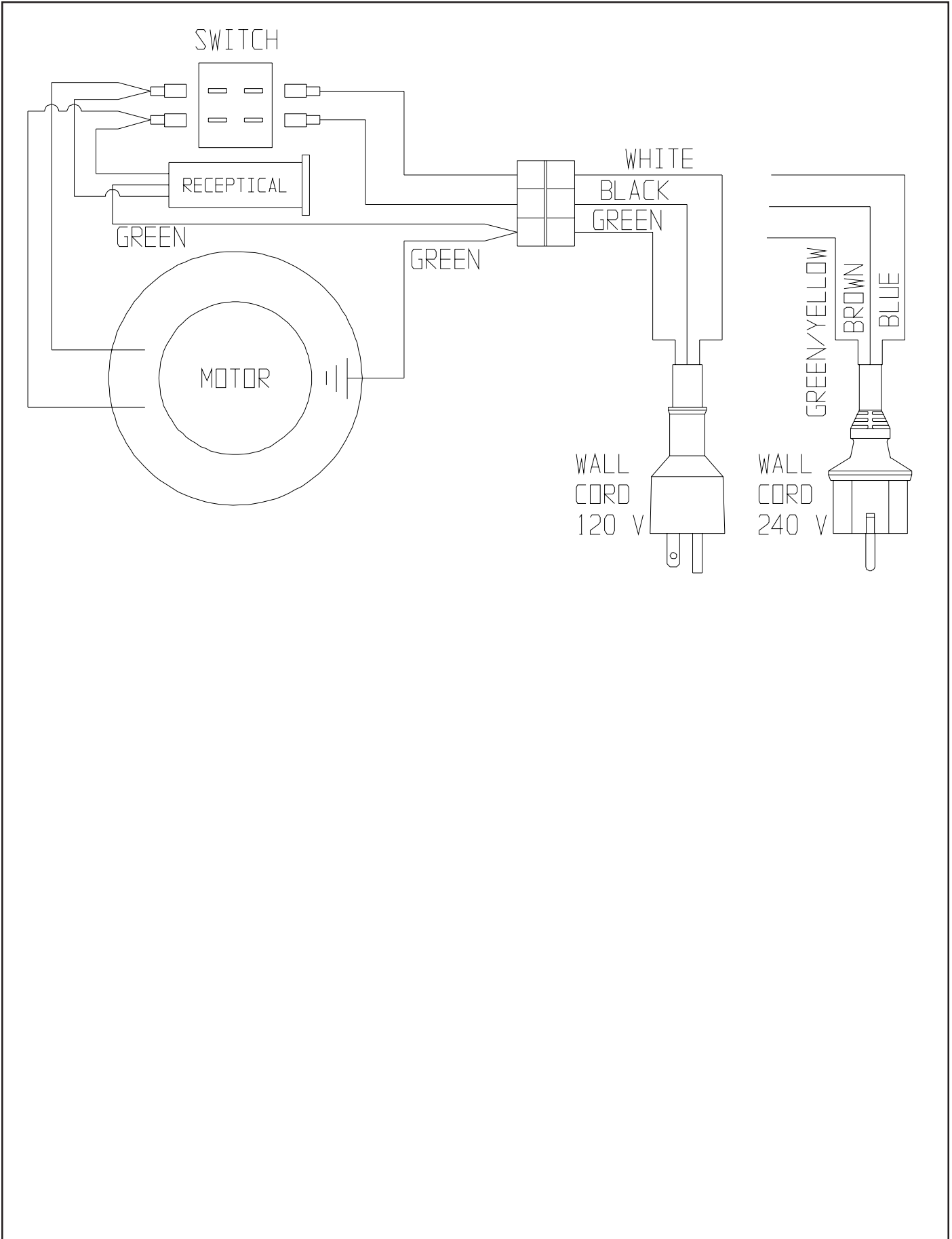
TANK ASSEMBLY



TRANSPORT ASSEMBLY



WIRING DIAGRAM



ACCESSORIES



1601604 16" POWER WAND - 120 VOLT

5790061 DESIGNER DRY TOOL KIT INCLUDES:
 5790101 HOSE - 1 1/4" X 7 FEET LONG
 5790111 2 1/2" ROUND BRUSH
 5790121 CREVICE TOOL
 5790131 CARPET AND BARE FLOOR TOOL
 5790171 UPHOLSTERY TOOL
 5797181 3-PIECE STEEL WAND



3093619 BASIC CARPET KIT - INCLUDES:
 2290409 ALUMINUM WAND
 2595101 1 1/2" X 10 FEET SUPER FLEX HOSE
 3091039 12" CARPET TOOL - ALUMINUM SHOE

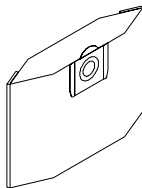
3093759 DRY PICK-UP CARPET KIT - INCLUDES:
 2290409 ALUMINUM WAND
 2291211 5" ALUMINUM CONNECTOR
 2595101 1 1/2" X 10 FEET SUPER FLEX HOSE
 3091079 12" CARPET TOOL - MANGANESE SHOE
 3091859 3" ROUND BRUSH
 3092281 CREVICE TOOL



3093909 DELUXE DRY CARPET AND OVERHEAD CLEANING KIT - INCLUDES:
 2290409 ALUMINUM WAND
 2291109 HI-UP EXTENSION TUBE KIT
 2291211 5" ALUMINUM CONNECTOR
 2595101 1 1/2" X 10 FEET SUPER FLEX HOSE
 3091859 3" ROUND BRUSH
 3091989 7" SHELF BRUSH
 3092311 28" CREVICE TOOL - PLASTIC
 3097009 12" LINT LIFTER CARPET TOOL



3093959 DELUXE CHAPEL CLEANING KIT - INCLUDES:
 2290409 ALUMINUM WAND
 2291119 5' EXTENSION TUBE WITH SLEEVE
 2291129 5' EXTENSION TUBE WITH ELBOW
 2291211 5" ALUMINUM CONNECTOR
 2595101 1 1/2" X 10 FEET SUPER FLEX HOSE
 3090209 7" UPHOLSTERY TOOL
 3091769 9" WALL BRUSH
 3091859 3" ROUND BRUSH
 3092311 28" CREVICE TOOL - PLASTIC
 3097109 16" LINT LIFTER CARPET TOOL



5796101 PAPER BAG - 5 PACK
 5791521 FILTER ASSEMBLY



5790101 1 1/4" X 7' HOSE
 5790021 HOSE COUPLING FOR USE WITH TOOLS





NSS ® Enterprises, Inc.

3115 Frenchmens Road, Toledo, Ohio 43607
PHONE (419) 531-2121 FAX (419) 531-3761

NSS ® Enterprises, Inc. European Distribution Centre
Unit II, Pinfold Trading Estate * 55 Nottingham Road
STAPLEFORD, NOTTINGHAM NG9 8AD ENGLAND U.K.
PHONE: (44) 0115 939 1568 * FAX: (44) 0115 949 0615