

# KENT

## OWNER'S MANUAL

OPERATION • CARE • SERVICE

BATTERY BURNISHER

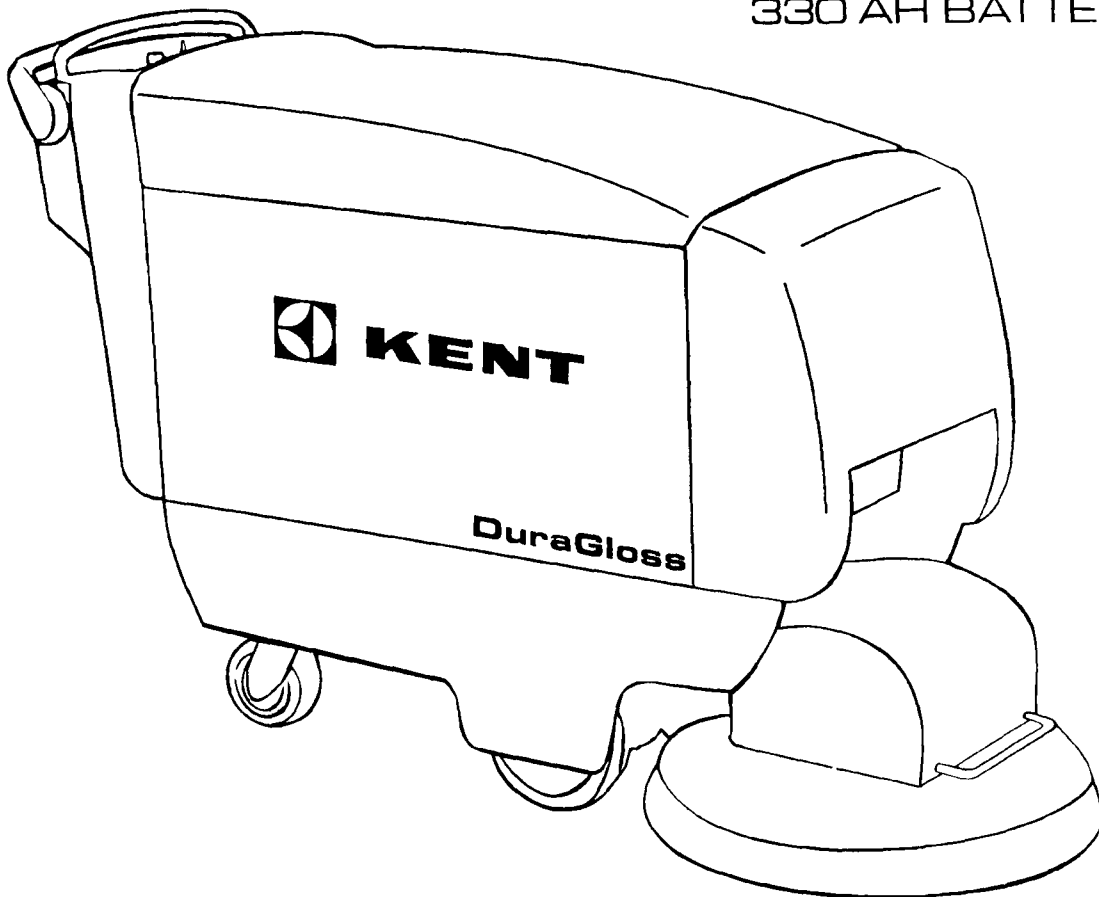
**DuraGloss™**

**KF-2024B**

250 AH BATTERIES

**KF2025B**

330 AH BATTERIES



**FEBRUARY 1995**

THE KENT COMPANY • 2310 INDUSTRIAL PARKWAY • P O BOX 1665 • ELKHART, IN 46515, U S A  
TEL: (219)293-8661 • (800)334-1083 • FAX: (219)295-8610

# TABLE OF CONTENTS

---

MACHINE SPECIFICATIONS .....	2
ACCESSORIES .....	3
SERVICE INFORMATION .....	4
IMPORTANT SAFETY INSTRUCTIONS .....	4
UNPACKING AND SETUP .....	5
UNPACKING .....	5
SETUP .....	5
OPERATION .....	5
ADJUSTMENTS .....	5
FEATURES .....	6
DUST BAG USE .....	6
PAD INSTALLATION .....	6
CONTROLS .....	7
BURNISHING PROCEDURES .....	8
BATTERY CHARGING, CARE, AND SERVICE .....	8
BATTERY CHARGING .....	8
BATTERY CARE .....	9
BATTERY SERVICE & GUARANTEE .....	9
CLEAN UP AND STORAGE .....	9
MAINTENANCE .....	9
DAILY (OR EVERY 6-8 HOURS OF USE) .....	9
MONTHLY (OR EVERY 120 HOURS OF USE) .....	10
LUBRICATING THE LIFT ROD ASSEMBLY .....	10
RECOMMENDED SPARE PARTS .....	10
WIRING DIAGRAM .....	11
LIFT MECHANISM ASSEMBLY AND PARTS LIST .....	12
CONTROL PANEL ASSEMBLY PARTS LIST .....	13
PAD MOTOR ASSEMBLY .....	14
PAD MOTOR PARTS LIST .....	15
FRAME ASSEMBLY .....	16
FRAME PARTS LIST .....	17
BACK PANEL ASSEMBLY AND PARTS LIST .....	18
TROUBLE SHOOTING GUIDE .....	19
NOTES .....	20

# MACHINE SPECIFICATIONS

	DuraGloss KF-2024B	DuraGloss KF-2025B
Controls	Light effort, Push/Pull for forward or reverse operation Variable speed control knob, ammeter, voltmeter, pad pressure switch, keylock, and circuit breaker	Light effort, Push/Pull for forward or reverse operation Variable speed control knob, ammeter, voltmeter, pad pressure switch, keylock, and circuit breaker
System Voltage	36 VDC	36 VDC
Motor, Traction Drive	75 HP, 200 rpm, 22 amp, 36 VDC, 56 frame thru chain and differential to drive wheels	75 HP, 200 rpm, 22 amp, 36 VDC, 56 frame thru chain and differential to drive wheels
Speed Control	Forward or reverse - fully variable via electronic controller to 250 fpm (76 2 mpm) forward or 125 fpm (38 1 mpm) reverse Fully variable knob operated potentiometer	Forward or reverse - fully variable via electronic controller to 250 fpm (76 2 mpm) forward or 125 fpm (38 1 mpm) reverse Fully variable knob operated potentiometer
Motor, Pad Driver	3 0 HP, 2500 rpm, direct drive, 36 VDC	3 0 HP, 2500 rpm, direct drive, 36 VDC
Motor, Pad Height	36 VDC, 41 7 in /lb , 60 rpm, motor/gearbox assembly, w/10 amp auto reset circuit breaker	36 VDC, 41 7 in /lb , 60 rpm, motor/gearbox assembly, w/10 amp auto reset circuit breaker
Pad Holder	20 in (50 8 cm) floppy plastic pad driver w/ positive screw holder lock w/tilt safety switch	20 in (50 8 cm) floppy plastic pad driver w/ positive screw holder lock w/tilt safety switch
Burnishing Width	20 in (50 8 cm)	20 in (50 8 cm)
Pad Pressure		
Stripping & Burnishing	30-50 lbs depending upon floor surface	30-50 lbs depending upon floor surface
Batteries	Six (6) VDC, 250 AH, each 11 6 in L x 7 in W x 11 3 in H (29 5 cm x 17 8 cm x 28 7 cm)	Six (6) VDC, 330 AH, each 12 2 in L x 7 in W x 14 5 in H (31 0 cm x 17 8 cm x 36 8 cm)
Wheels		
Traction Wheel	Two 8 in dia x 2 in wide solid wheels with polyurethane tread (20 3 cm x 5 1 cm)	Two 8 in dia x 2 in wide solid wheels with polyurethane tread (20 3 cm x 5 1 cm)
Caster Wheels	Two 5 in dia x 2 in wide (750 lbs ea ) plate swivel casters with polyurethane tread (12 7 cm x 5 1 cm -341 kg)	Two 5 in dia x 2 in wide (750 lbs ea ) plate swivel casters with polyurethane tread (12 7 cm x 5 1 cm -341 kg)
Frame	All welded 11 ga steel with epoxy powder coating 7 ga gusseting	All welded 11 ga steel with epoxy powder coating 7 ga gusseting
Outer Shell	High-density molded polyethylene and stainless steel covers	High-density molded polyethylene and stainless steel covers
Pad Cover	11 ga steel with epoxy powder coating	11 ga steel with epoxy powder coating
Battery Charger	External, electronic	External, electronic
Dust Control Filter	Cloth bag w/slide, 180 in <sup>2</sup> area / 190 in <sup>3</sup> volume (1161 cm <sup>2</sup> / 3113 cm <sup>3</sup> )	Cloth bag w/slide, 180 in <sup>2</sup> area / 190 in <sup>3</sup> volume (1161 cm <sup>2</sup> / 3113 cm <sup>3</sup> )
Noise Level dB(A)	69 @ Operator	69 @ Operator
Dimensions		
Handle	38 in to floor (96 5 cm)	38 in to floor (96 5 cm)
Length (overall)	61 in (155 cm)	61 in (155 cm)
Height (overall)	38 in (96 5 cm)	38 in (96 5 cm)
Width (body)	20 in (50 8 cm)	20 in (50 8 cm)
Width (pad head)	23 5 in (59 7 cm)	23 5 in (59 7 cm)
Weight		
Machine & Batteries	749 lbs (340 5 kg)	875 lbs (397 8 kg)
Charger	22 lbs (9 9 kg)	22 lbs (9 9 kg)
Shipping (total)	821 lbs (372 7 kg)	947 lbs (429 9 kg)
Machine & Charger	383 lbs (173 9 kg)	383 lbs (173 9 kg)
Battery Pack	500 lbs (227 3 kg)	640 lbs (294 8 kg)

# ACCESSORIES

	DuraGloss KF-2024B	DuraGloss KF-2025B
Cloth Filter Bags	039496	039496
Burnishing Pads, 20 in	015690	015690
<b>Batteries</b>		
<b>With Acid (Wet)</b>		
250 Amp-Hour 6-Pack	026950 (STANDARD EQUIPMENT)	
250 Amp Hour (Individual)	026512 (STANDARD EQUIPMENT)	
330 Amp Hour 6-Pack		027047 (STANDARD EQUIPMENT)
330 Amp-Hour (Individual)		027048 (STANDARD EQUIPMENT)
<b>Without Acid (Dry)</b>		
250 Amp-Hour 6-Pack	026570 (STANDARD EQUIPMENT, EXPORT)	
250 Amp Hour (Individual)	026551 (STANDARD EQUIPMENT, EXPORT)	
330 Amp Hour 6-Pack		027100 (STANDARD EQUIPMENT, EXPORT)
330 Amp-Hour (Individual)		027111 (STANDARD EQUIPMENT, EXPORT)
<b>Battery Chargers</b>		
120 Volt - 60 Hertz - 20A	031360 (STANDARD EQUIPMENT)	031369 (STANDARD EQUIPMENT)
100 Volt - 50 Hertz - 20A	031361	031370
230 Volt - 50 Hertz - 20A	031362	031371
230 Volt - 60 Hertz - 20A	031364	031372

For a complete list of accessories and to order, contact your local Kent equipment dealer or the dealer from which the machine was purchased.

# SERVICE INFORMATION

To obtain consistent performance over the life of your Kent equipment, read through these instructions and save them for future reference. If you require service, contact the dealer from which the machine was purchased or an authorized service station. Always refer to your limited warranty for complete service information.

<b>THE KENT CO.</b>			
ELKHART, INDIANA U S A			
SERIAL NO.		MODEL	
VOLTS	PHASE	Hz	
MOTOR 1	AMP	H.P.	UNC
MOTOR 2	AMP	H.P.	

The model, type, and serial number are indicated on the data plate located on the steel control panel, on the rear of the machine (Figure 1). For prompt and accurate information, refer to these numbers when inquiring about service.

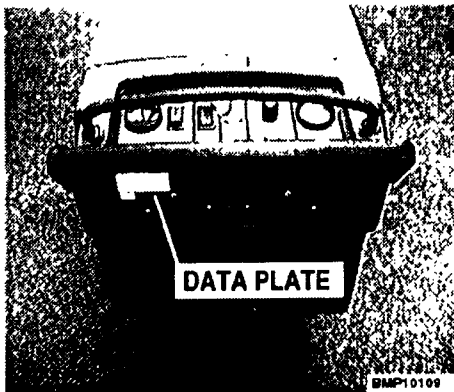


Figure 1

Write the model and serial number of your unit in the space provided. Refer to the rating plate on unit.

MODEL #

SERIAL #

Retain this owner's manual for future reference.

# IMPORTANT SAFETY INSTRUCTIONS

When using an electrical appliance, basic precautions should always be followed, including the following:

**READ ALL INSTRUCTIONS BEFORE USING THE MACHINE!**



**WARNING:**



**FAILURE TO FOLLOW THESE SAFETY INSTRUCTIONS COULD RESULT IN DAMAGE TO THE MACHINE, DAMAGE TO PROPERTY, BODILY INJURY, OR DEATH.**

- Do not leave the machine when powered on. Remove the key from the keylock when not in use and before servicing.
- Do not allow the machine to be used as a toy. Close attention is necessary when near children.
- Do not sit on this machine while it is stationary or in motion.
- Use only as described in this manual. Use only manufacturer's recommended attachments.
- If the machine is not working as it should, because it has been dropped or damaged, return it to a service center before using.
- This machine creates suction and contains a revolving pad. Keep hair, loose clothing, fingers, and all other parts of the body away from openings and moving parts.
- Do not run over anything that is burning or smoking, such as cigarettes, matches, or hot ashes.
- Do not use this machine on a floor that has damaged or loose tiles. Doing so may result in additional floor damage
- Do not run over flammable or combustible liquids such as gasoline, or use in areas where they may be present.
- Do not use in areas where flammable and or explosive vapor or dust is present to avoid the possibility of fire or explosion. Some cleaning fluids can produce such vapors.
- When working with or near batteries, always wear eye protection and protective clothing, and remove all jewelry to prevent accidental electrical sparks and/or shock.
- Do not place tools or other metal objects on or near the tops of the batteries to prevent accidental arcing between the battery terminals.
- Explosive hydrogen gas is formed during battery charging. Avoid charging the batteries around any open flame or anything which could produce an electrical spark. Always charge the batteries in a well ventilated area. Do not disconnect the battery charger from the machine while charging. Disconnecting the charger plug, while charging,

may produce an electrical spark. Always keep the battery compartment open while charging.

- Do not use a charger that has a damaged power cord. Serious or fatal injury could occur due to a damaged power cord.
- Operate the machine only from the rear of the machine. Operating it from any other position may result in injury or damage.
- Do not attempt to transport the machine without assistance. Use two or more people to help guide the machine while on a ramp or incline. Move cautiously and slowly. Do not turn the machine on a ramp. Do not stop and leave the machine on the ramp or incline. Failure to follow these instructions, while transporting the machine, may result in serious bodily injury and or damage to the machine or other property.
- Do not attempt to transport the machine without tying it down to the bed of the vehicle with straps.
- Store your machine indoors in a cool, dry area. Do not expose the machine to temperatures in excess of 120°F (49°C) or lower than 35°F (2°C) for extended periods of time.
- Keep your work area well lighted.

## SAVE THESE INSTRUCTIONS

### UNPACKING AND SETUP

#### UNPACKING

Carefully inspect all components to insure that there is no concealed freight damage. If such damage is discovered, file a Damage Report immediately with the delivering carrier.

Your machine was shipped in its own crate. The battery charger and battery cables can be found in the battery box, inside the machine. The six-pack of batteries has been shipped in its own container. If you do not receive both containers, check with the delivering carrier and/or the dealer from which the machine was purchased.

#### SETUP

##### PREPARING THE MACHINE FOR USE

Once the machine is completely unpacked, install the batteries and battery terminals as illustrated on the "BATTERY WIRING DIAGRAM" located inside the machine just above the battery box or in Figure 2.

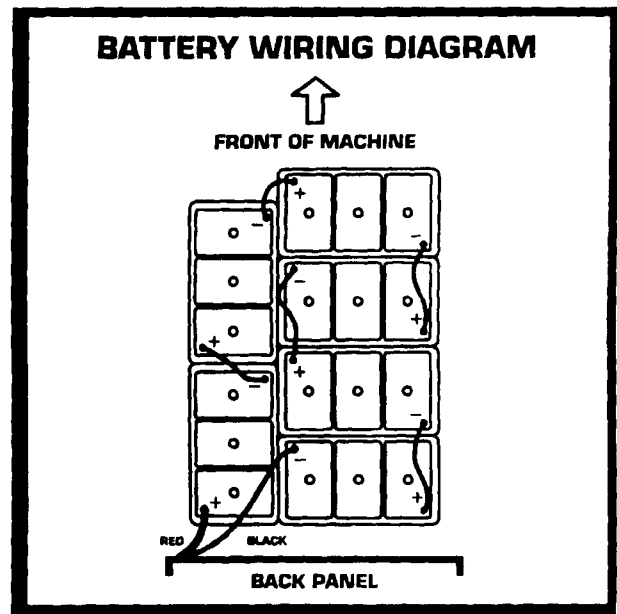


Figure 2

Next, install the pad. Be sure to install the pad perfectly centered on the pad holder. If the pad is not centered on the pad holder (Figure 3), the pad will wear faster resulting in a shorter pad life. For more information on installing pads, see "PAD INSTALLATION" in the "OPERATION" section of this manual

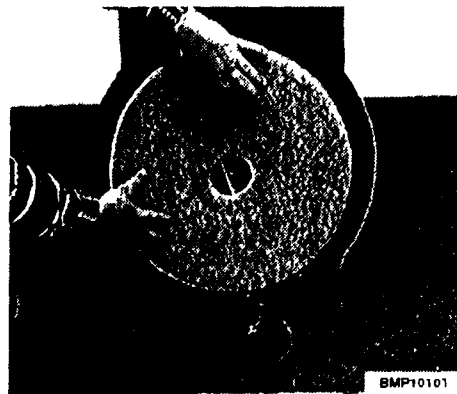


Figure 3

### OPERATION

#### ADJUSTMENTS

##### DRIVE MOTOR CHAIN ADJUSTMENT

To adjust the tension of the chain, first loosen the motor mounting bolts, then loosen the adjustment screw's jam nut (Figure 4). Next, turn the adjustment screw clockwise to tighten the chain and counterclockwise to loosen. A properly adjusted chain should have a 1/2 inch of slack. When the chain is properly adjusted, retighten the jam nut and the motor mounting bolts

**DO NOT OVERTIGHTEN! EXCESSIVE TENSION MAY CAUSE DAMAGE TO THE BEARINGS, SPROCKETS, OR CHAIN.**

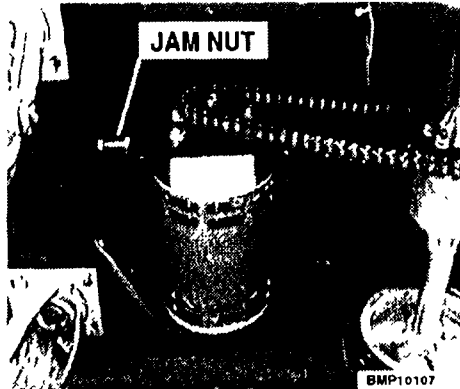


Figure 4

## FEATURES

Your DuraGloss features a "user-friendly" control panel which includes easy to reach POWER, PAD MOTOR, and PAD PRESSURE switches and easy to read PAD PRESSURE and BATTERY CONDITION meters. Your DuraGloss also includes a traction/speed controller which allows the user to set the speed of the machine by simply adjusting the DRIVE SPEED CONTROL knob conveniently positioned on the control panel. For security and safety, your machine has been equipped with a keylock switch which prevents the machine's use without authorization.

DuraGloss burnisher's unique pad head design features "Flip-up" pad changing and floating head burnishing. The pad head is designed to tilt and automatically adjust to uneven surfaces.

DuraGloss burnishers also feature a Dust Control System which captures fine wax dust and contains it in a cloth filter bag.

### TRANSPORTING

The machine was designed to allow easy transportation with the use of tie-down straps. When transporting, always strap the machine to the bed of the vehicle.

### DUST BAG USE

DuraGloss burnishers feature a Dust Control System which captures fine wax dust and contains it in a cloth filter bag.

The filter bag is located under the top cover toward the front of the machine (Figure 5). The cloth filter bag should be emptied and blown out after every shift or 8 hours of use. To empty, slide the plastic clip off the bag and shake the bag vigorously over a suitable waste container (Figure 6).

The performance of the Dust Control System may decrease over time, even with an empty bag. To maintain peak performance, replace the bag if the Dust Control System begins to leave dust on the floor.

**WARNING: DO NOT USE MACHINE WITHOUT DUST BAG IN PLACE. USING THE MACHINE WITHOUT A DUST BAG WILL CAUSE DUST TO BE BLOWN INTO THE INNER PORTION OF THE MACHINE.**



Figure 5

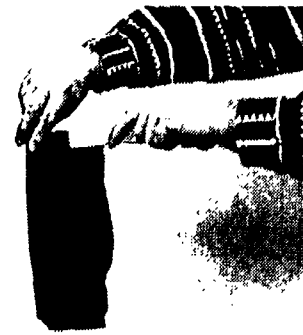


Figure 6

### PAD INSTALLATION

To install or change a pad, raise the pad head by decreasing the pressure using the PAD PRESSURE switch. Next, lift and tilt the pad head (Figure 7) and unscrew the pad retaining screw (Figure 8). Place a new pad exactly in the center of the pad holder and replace the pad retaining screw. After leveling the pad head to its normal position, the machine is ready for burnishing.

Note: To protect the operator, an automatic safety switch will disable the pad motor while the pad head is in the pad installation position.

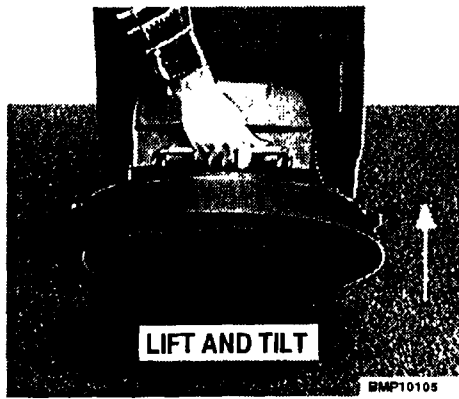


Figure 7

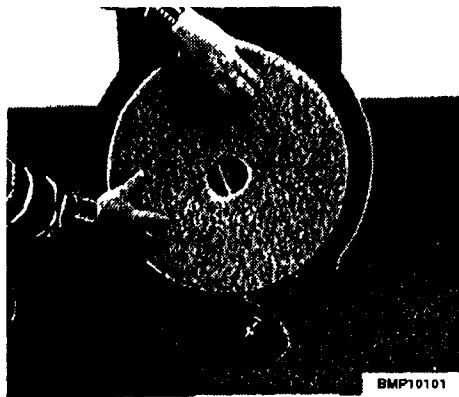


Figure 8

## CONTROLS

### KEYLOCK SWITCH

The keylock switch (Figure 9) is the machine's master power switch. Removing the key eliminates the possibility of unauthorized use of the machine. To switch the machine on, turn the key clockwise; the red light will come on to indicate power.

### BATTERY CONDITION METER

The BATTERY CONDITION meter (Figure 9) displays the voltage level across the batteries of the machine. When fully charged, the needle will be in the green zone; however, as the voltage level decreases during normal use, the needle will display the drop in voltage.

When the machine's voltage drops to a predetermined level, the BATTERY CONDITION meter (Figure 9) will be in the red zone. Be sure to immediately recharge the batteries to ensure their long life. Completely discharging the batteries, long after the machine indicated the need for charging, will eventually reduce the life of the batteries.

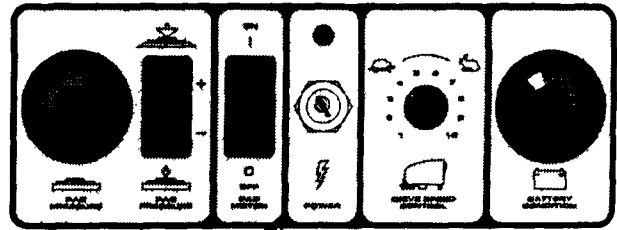


Figure 9

### PAD MOTOR SWITCH

The PAD MOTOR switch (Figure 9) either enables or disables the pad motor to turn on when the machine is driven in either forwards or reverse. If the PAD MOTOR switch or the pad motor circuit breaker are in the OFF position, the pad motor WILL NOT engage when the machine is driven in either forwards or reverse. Likewise, if the PAD MOTOR switch and the pad motor circuit breaker are in the ON position, the pad motor WILL engage when the machine is driven in either forwards or reverse.

### CONTROL DRIVE BAR

Once the key is inserted into the keylock and turned in the POWER position, the machine is ready to drive in both forward and reverse by squeezing or pulling the CONTROL DRIVE BAR (Figure 10). Note: If the PAD MOTOR switch and the pad motor circuit breaker are in the ON position, squeezing or pulling the CONTROL DRIVE BAR will engage the pad motor and lower the pad head to begin burnishing.

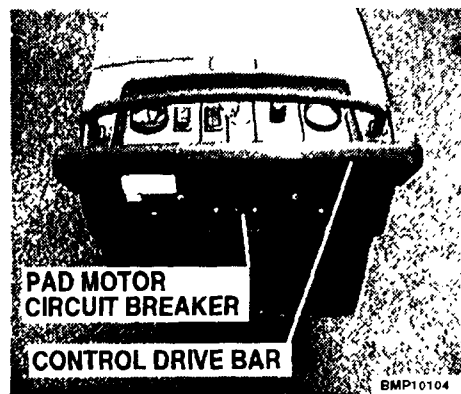


Figure 10

### DRIVE SPEED CONTROL KNOB

The variable DRIVE SPEED CONTROL knob (Figure 9) can be used to adjust the machine speed from 0 to 250 feet per minute. The control panel label has the numbers 1 to 10 around the DRIVE SPEED CONTROL Knob for your convenience in setting the same desirable speed every time you use your machine.

**WARNING: ALWAYS SET THE SPEED OF THE MACHINE BEFORE THE MACHINE IS POWERED ON. FAILURE TO DO SO MAY RESULT IN PERSONAL INJURY AND DAMAGE TO THE MACHINE OR PROPERTY.**



## DYNAMIC BRAKING

Dynamic Braking, built into the speed control, helps to maintain a nearly constant speed while traveling up or down a ramp or incline by keeping the drive speed at a nearly constant rate.

## PAD PRESSURE METER AND SWITCH

The PAD PRESSURE meter (Figure 9) indicates the amount of pressure on the pad head while burnishing. The PAD PRESSURE meter combined with the pad pressure circuit breaker protects the pad motor from possible damage due to an amperage overload.

To adjust the pad pressure, press the Minus (-) side of the switch to reduce the amount of pressure and the Plus (+) side of the switch to increase the amount of pressure. If the pressure is increased beyond the highest level, the pad pressure will automatically trip the pad pressure circuit breaker.

Since the PAD PRESSURE meter is based on the amount of amperage the pad motor is drawing, the amount of pressure may vary with different floor conditions.

## CIRCUIT BREAKERS

The machine is equipped with two circuit breakers that provide protection against amperage overload for the pad driver and pad lift motors.

The circuit breaker that protects the pad lift motor is an automatic resetting breaker. If the pad lift motor circuit breaker should trip, simply wait approximately 20 seconds for the breaker to self reset.

The circuit breaker that protects the pad motor is a manual resetting breaker. It is located on the back side of the machine, just under the DRIVE CONTROL BAR (Figure 10). If the pad motor circuit breaker should trip, simply reset the breaker and continue burnishing.

If either of the circuit breakers trip repeatedly, have the machine examined by the dealer from which the machine was purchased or an authorized service station.

## BURNISHING PROCEDURES

Note: For effective long burnishing use, begin with fully charged batteries.

Before you begin burnishing, be sure to sweep the floor for debris. If the machine is used to burnish a floor that is scattered with debris, marking may occur. Next, be sure to have the appropriate pad (ultra high speed rated) installed and that the dust bag was emptied after its last use.

The machine is now ready for burnishing. First, set the speed of the machine by adjusting the DRIVE SPEED CONTROL knob then insert the key into the keylock and turn into the POWER position. Now, press the PAD MOTOR switch to the ON position.

To begin burnishing, simply push the DRIVE CONTROL BAR forward or reverse. You may need to adjust the PAD PRESSURE setting according to the condition of the floor.

While burnishing, slightly overlap the burnishing passes. For the best possible control of the machine, grip the DRIVE CONTROL BAR with both hands, adjusting the DRIVE SPEED CONTROL knob with your index finger.

**WARNING: DO NOT USE THIS MACHINE ON A FLOOR THAT HAS DAMAGED OR LOOSE TILES. DOING SO MAY RESULT IN ADDITIONAL FLOOR DAMAGE.**

## BATTERY CHARGING, CARE, AND SERVICE

### BATTERY CHARGING

The Kent Battery Charger is electronically controlled. The charging rate will start high depending upon battery condition and gradually reduce as the batteries become charged. Eventually, the charger will reach a finish rate where its last 2 hours will be charging at 2 to 3 amps. The charger is equipped with a standard fuse for protection against a short circuit or reverse polarity of the batteries.



**HYDROGEN GAS IS FORMED WHEN THE BATTERIES APPROACH THE FULL CHARGE STATE. THIS GAS IS EXPLOSIVE; THEREFORE, WHEN CHARGING BATTERIES, AVOID ANY OPEN FLAME OR ELECTRIC SPARK NEAR BATTERIES. THIS INCLUDES CONNECTING OR DISCONNECTING THE CHARGER WITH THE TIMER ON. TO AVOID ACCUMULATION OF GAS, BE SURE THE BATTERIES RECEIVE GOOD AIR CIRCULATION WHILE BEING CHARGED.**

Steps for charging batteries:

1. Turn the power OFF on the DuraGloss by turning the POWER keylock switch counter-clockwise to the OFF position. Note: The DuraGloss will not allow the batteries to be charged while the POWER keylock switch is in the OFF position.
2. Remove the top lid of the machine to allow ventilation to the battery compartment. Do not close the battery compartment during the charging operation.

3. Connect the charger plug into the machine firmly. The machine's mating charger plug is mounted under the top lid toward the front of the machine (Figure 11).

4. Plug the battery charger into a normal electrical outlet.

NOTE: Set the battery charger on a flat, hard surface to insure that cooling air can circulate through the bottom louvers.

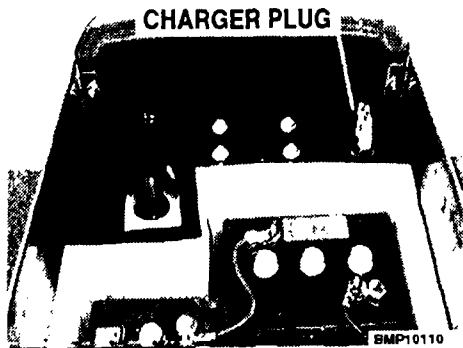


Figure 11

The battery charger is guaranteed against defective parts and workmanship. Any parts proving defective within one year will be repaired free of charge when the charger is returned prepaid to the manufacturer.

## BATTERY CARE

Battery care determines the life span and efficiency of the batteries; therefore, for the longest possible useful life from these batteries, the following procedure should be followed:

1. Keep battery solution (electrolyte) level up in cells. Check daily - if cells need water, use only distilled or approved water.
2. Keep batteries fully charged when not in use.
3. Keep batteries and terminals clean. When necessary, clean the terminals with a baking soda solution, then coat them with grease to retard corrosion.

## BATTERY SERVICE & GUARANTEE

If a battery becomes unserviceable in normal use within 90 days of purchase, the purchaser is entitled to either a new battery of a comparable size and type or to the necessary repairs without charge for either labor or materials; however, the choice of entitlement will be at the option of the manufacturer.

Transportation, recharges, or the use of rental batteries are not classed as repairs. If required, the battery owner is expected to pay for all services that are not classed as repairs.

## ADJUSTMENT POLICY

If a battery becomes unserviceable in normal use after the 90 day period, it will be repaired or exchanged with another battery of a comparable size and type to the original purchaser on a prorated price basis. If the battery requires repairing, the owner will be subject to service and transportation charges.

### PRORATING SCALE AFTER 90 DAYS

To calculate the prorated value of the unserviceable batteries, use the following formula.

$$(12 - \text{Months of Operation}) / 12 \times \text{Original Purchase Price} = \text{Exchange Value}$$

Example: A battery that failed after its 5th month of use from the purchase date with a \$182.00 original cost.  
$$(12 - 5) / 12 \times \$182.00 = \$106.17 \text{ Exchange Value}$$

All batteries are guaranteed for twelve (12) months from date of receipt. (Subject to change without notice)

### LIMITATIONS

Failure in service due to fire, wreckage, explosion, freezing, abuse or neglect, use of battery "dopes", or the use of a battery of a group size smaller than of the battery used as original equipment is not covered by the Service & Battery Guarantee. The Service & Battery Guarantee will not apply if the battery has been opened or repaired or the manufacturer's identification markings have been obliterated before presentation for adjustment or if the battery has broken a case or cover or if the battery is discharged.

## CLEAN UP AND STORAGE

When finished burnishing, wipe the exterior of the machine with a damp cloth to maintain the machine's appearance.

Do not expose the machine to temperatures in excess of 120°F (49°C) or lower than 35°F (2°C) for extended periods of time either in storage or in transporting.

## MAINTENANCE

Careful maintenance will insure effective performance throughout a long period of service.

### DAILY (OR EVERY 6-8 HOURS OF USE)

At the end of the day's operation, the machine should be completely cleaned and prepared for the next shift's operations.

Daily maintenance includes:

- Emptying the dust bag (see "DUST BAG USE").
- Wiping the exterior of the machine with a damp cloth.
- Checking battery electrolyte levels (see "BATTERY CARE").
- Charging the batteries (see "BATTERY CARE").

- Inspecting the burnishing pad for wear. If the pad is thinner than a 1/2 inch, replace it with a new pad.

## MONTHLY (OR EVERY 120 HOURS OF USE)

Monthly maintenance includes:

- Lubricating the lift rod and springs with grease (see "LUBRICATING THE LIFT ROD ASSEMBLY").
- Lubricating the drive wheels with grease.
- Lubricating the caster wheels with grease.
- Lubricating the drive chain with grease and adjust the tension if necessary.
- Cleaning the batteries and terminals and greasing them if necessary. (see "BATTERY CARE")
- Inspecting the dust bag for possible clogging and replacing it if necessary. (see "DUST BAG USE")

## LUBRICATING THE LIFT ROD ASSEMBLY

The lift rod assembly is located in the front section of the machine. To lubricate, follow the steps below.

Steps:

1. Remove the front cover by removing the two screws and the two bolts that fasten it to the frame. The two screws can be found at the top of the front cover, under the top lid (Figure 12). The two bolts can be found on the bottom of the front cover, near the corners (Figure 13). After removing the screws and bolts, the front cover can be removed.
2. Lubricate the lift rod and springs shown in Figure 14.
3. Replace the front cover and screws that were removed in Step 1.

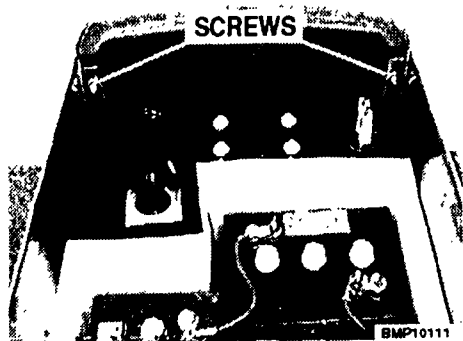


Figure 12

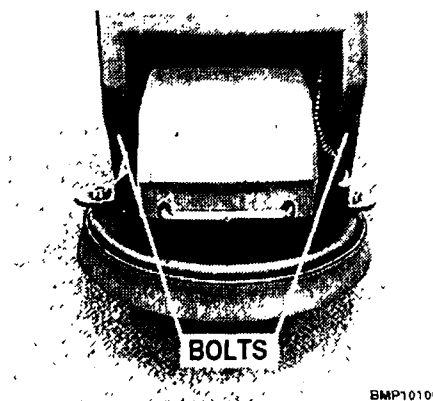


Figure 13

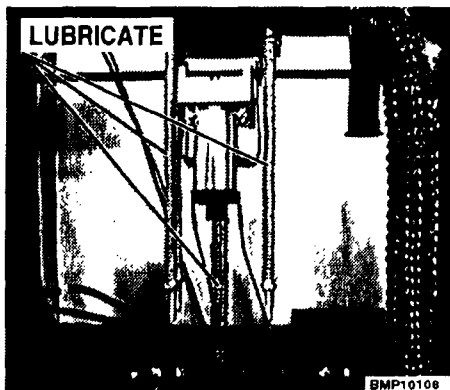


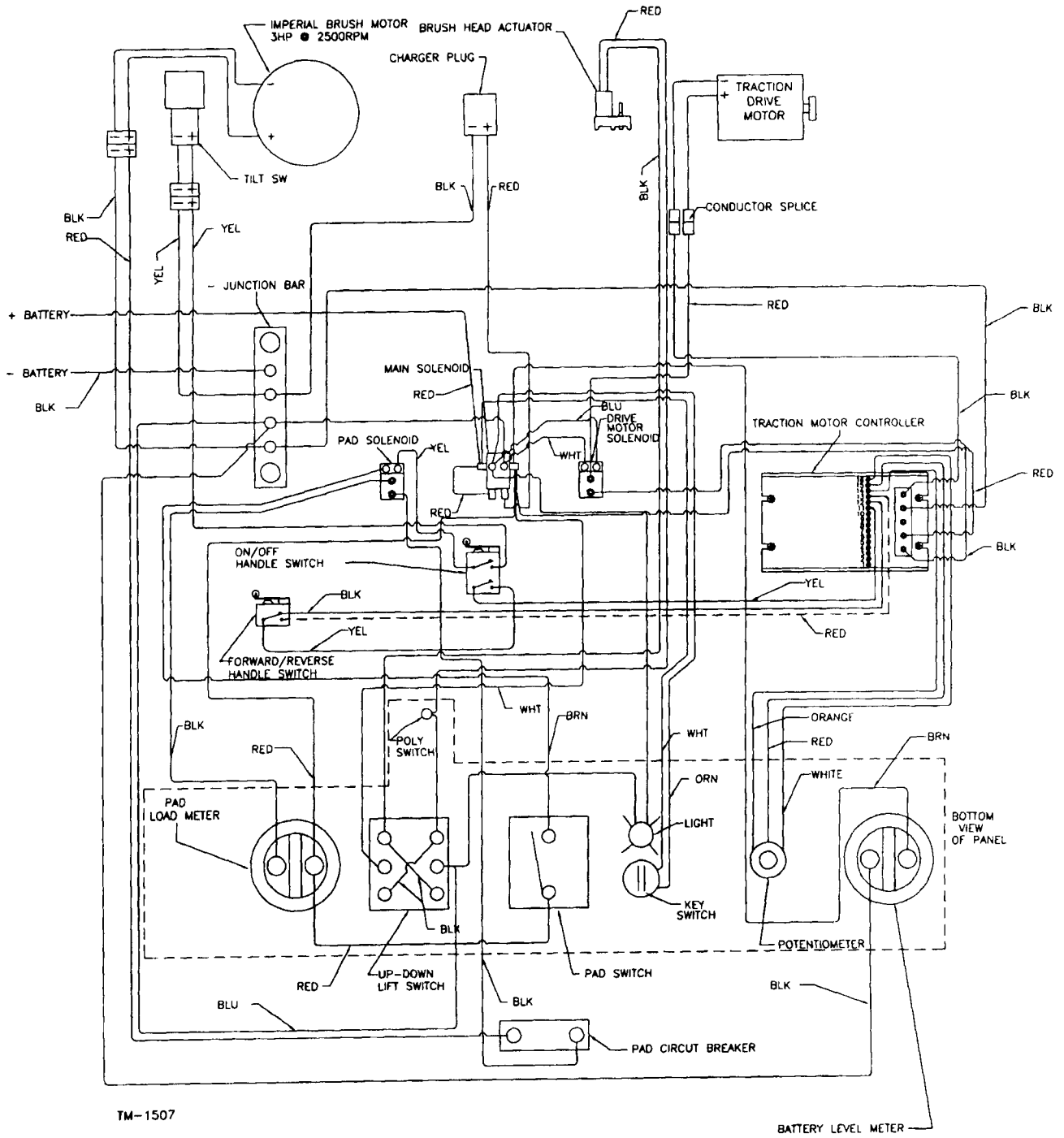
Figure 14

## RECOMMENDED SPARE PARTS

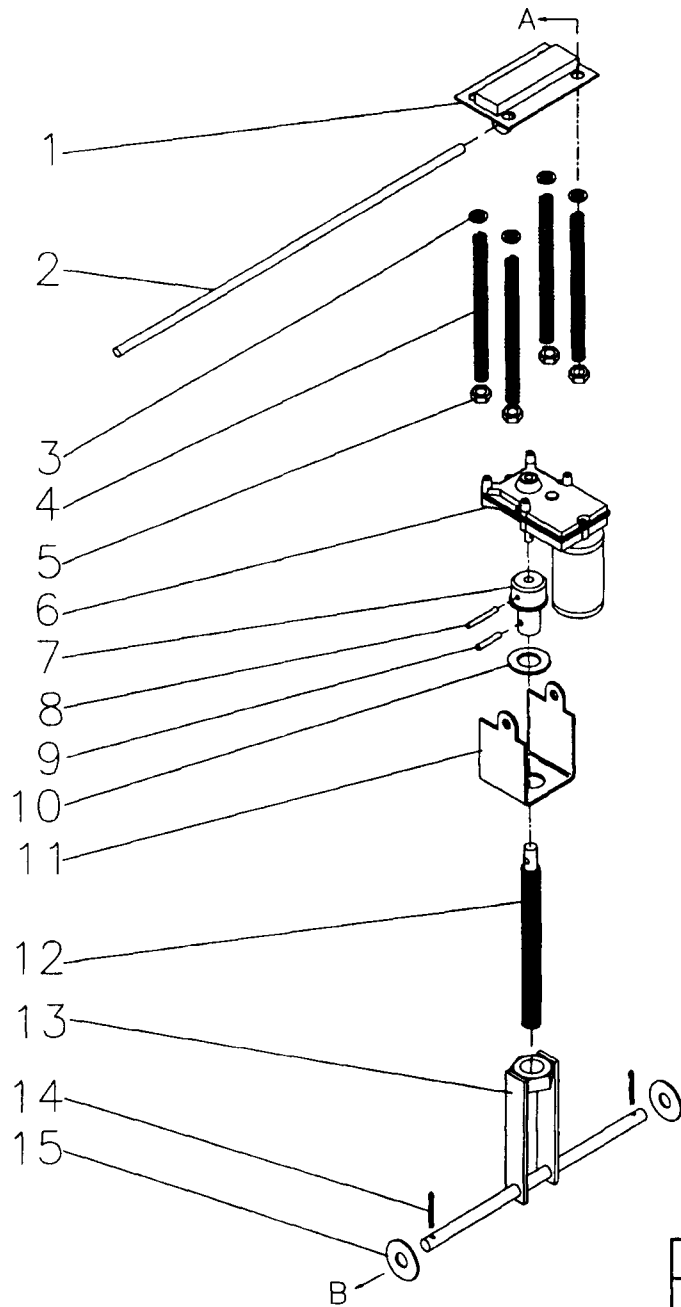
Recommended spare parts should be ordered and stocked to avoid possible down time in case of failure, breakage, or normal wear.

056448	CHAIN,ROLLER--#40,70LK&CONN	1
026045	SWITCH,RKR--SPST	1
026046	SWITCH,RKR--DPDT	1
026914	SWITCH,BREAKER--65VDC,1 POLE	1
027162	CIRCUIT BREAKER--PTC,SELFRESET	1
056949	HOSE,VINYL--1 5ID,30 0L,BLACK	1
026584	STARTER-SWITCH-LOCKING	1
028143	BRUSH,MTR--FOR 23286	1
027164	SWITCH,PUSH--SPST,ROLLER,25A	1
039496	BAG,CLOTH--DUST COLLECTOR	1
035294	ASM,SEAL--VELCRO & RUBBER	1
026573	CHARGER PLUG--	1

# WIRING DIAGRAM



# LIFT MECHANISM ASSEMBLY AND PARTS LIST



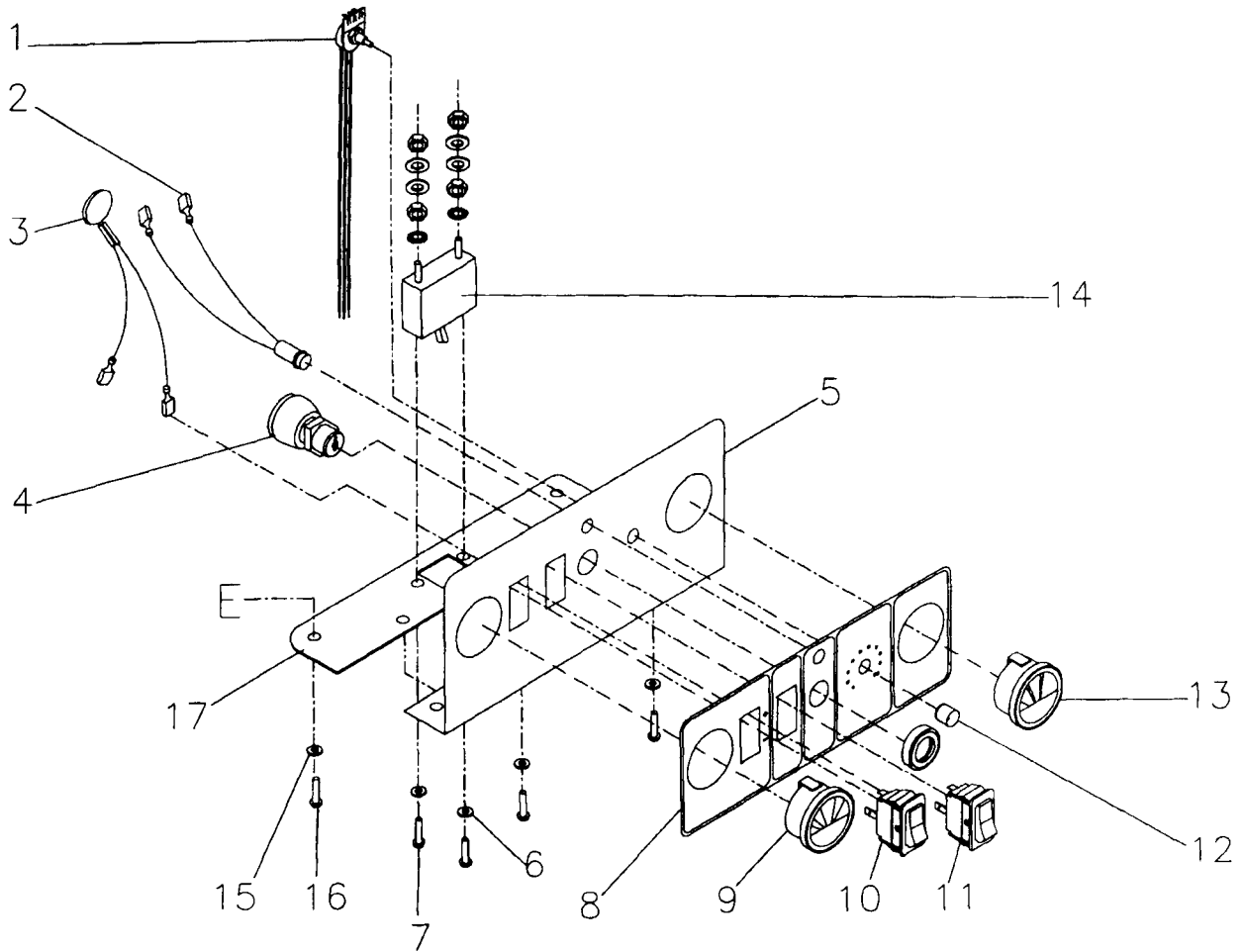
TM-1555

12) 005450  
 12) 005467  
 12) 004546  
 12) 056952

DET.	PART NO.	DESCRIPTION	QUANT.
1	035274	WDMT,LIFT PLATE—KF2025B	1
2	056910	ROD,STL— 375DIA X 19 00	1
3	004545	WSHR,SHOULDER— 375ID,NYLON	4
4	056897	SPRING,COMP 54D,11 75L, 080WD	4
5	003368	NUT,HEX LOCK— 375-16,ZN PLT	4
6	026103	MTR,DC—36V,MACHINED	1
7	056951	COUPLING,LIFT SCREW—BURNISHER	1
8	005467	PIN,ROLL— 125 DIA,1 750L	1
9	005450	PIN,ROLL— 187 DIA, 880L	1
10	004546	WSHR FLT 1 00ID1 450D 065T,NYL	1
11	056917	BRKT,STL—11GA X 2 50 X 3 96	1
12	056952	ROD,STL,THDD— 75X 8 00"CRS	1
13	035318	WDMT—LIFT MECHANISM,BURNISHER	1
14	005200	PIN,COTTER— 125X1 000 LONG	2
15	004547	WSHR,FLT 516ID1 25OD 062T,NYL	2

TM-1555

# CONTROL PANEL ASSEMBLY PARTS LIST

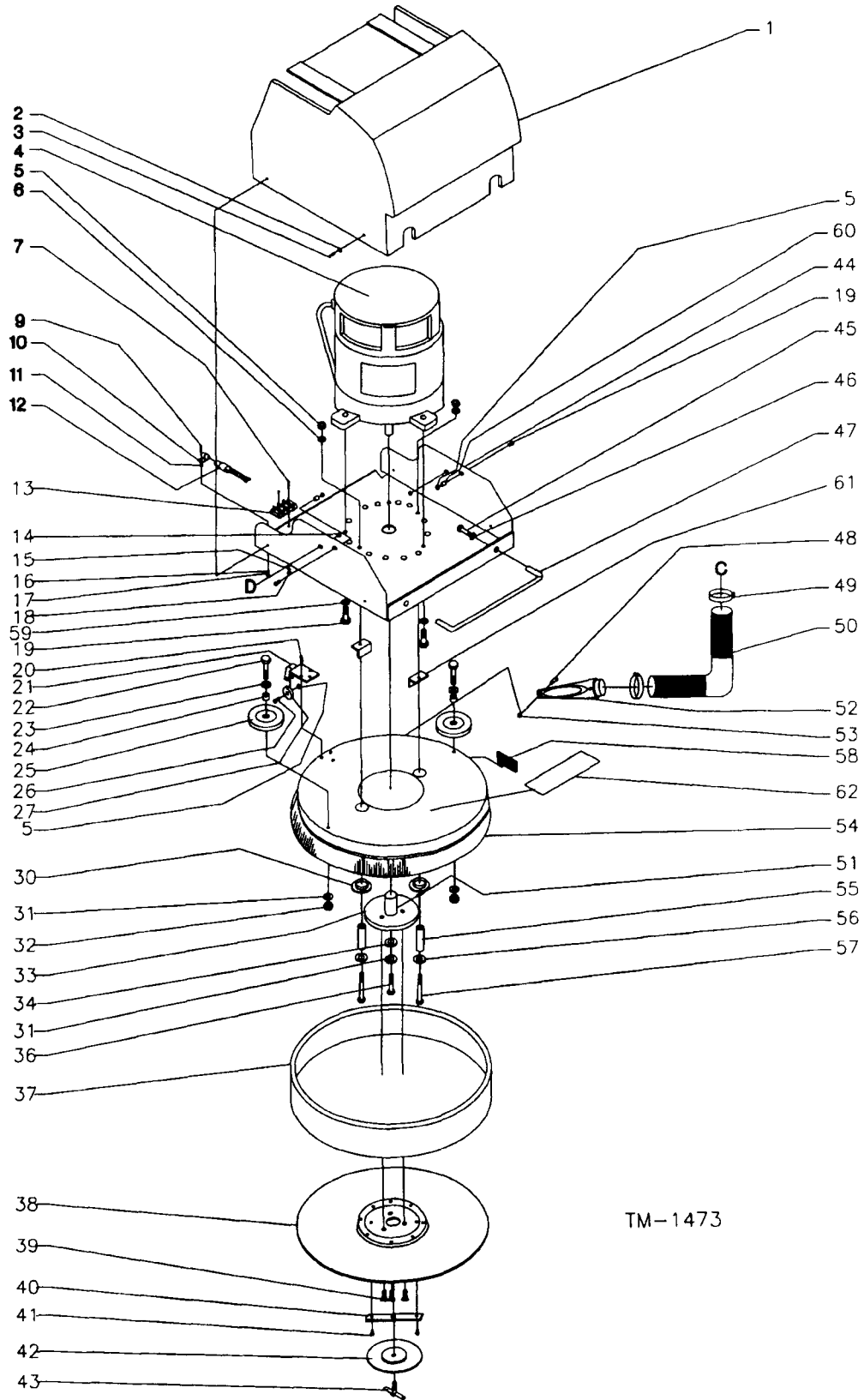


TM-1556

DET.	PART NO.	DESCRIPTION	QUANT.
1	027157	ASM,POTENTIOMETER—W/PLUG	1
2	026092	ASM,LIGHT—36V,RED,TERM	1
3	027162	CIRCUIT BREAKER—PTC,SELFRESET	1
4	026584	STARTER-SWITCH-LOCKING	1
5	035398	WDMT,PLATE STL—PANEL,KF BURN	1
6	004249	WSHR LK 150ID 320OD 022T EXT	2
7	001456	SCR MACH PAN HD 6-32X 250L	2
8	056869	LABEL,INSTR—BURN CONTROL PNL	1
9	027160-1	AMMETER,DC—0-100AMPS,ROUND	1
10	026046	SWITCH,RKR—DPDT	1
11	026045	SWITCH,RKR—SPST	1
12	056596	KNOB,PLASTIC—BLACK, 92DIA X 95	1
13	027161	VOLTMETER—27-45 VDC, ROUND	1
14	026914	SWITCH,BREAKER—65VDC,1 POLE	1
15	004443	WSHR LK 200ID 375OD 022T INT	4
16	223220	SCR MACH RD HD 10-32X 375L	4
17	035400	WDMT,PLATE W/NUTS—CB BURN	1

TM-1556

# PAD MOTOR ASSEMBLY



TM-1473

# PAD MOTOR PARTS LIST

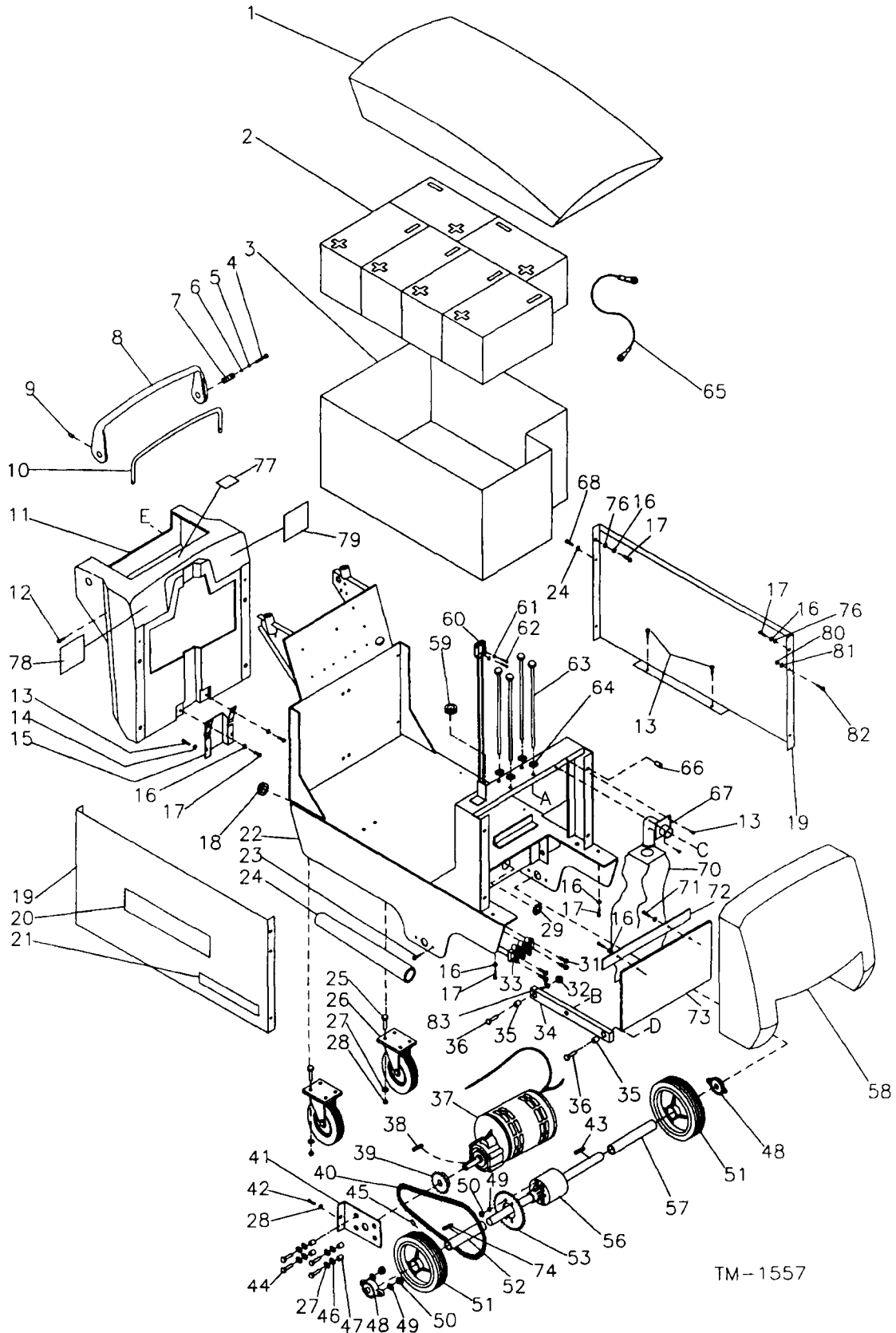
DET. PART NO.	DESCRIPTION	QUANT.
1	056944 COVER,MOTOR—DURAGLOSS,MACH	1
2	005407 WSHR FLT 203ID 562OD 045T STL	4
3	002371 SCR TPG F PAN HD 10-24X 625L	4
4	026041 ASM,3HP MOTOR W/TERM RINGS	1
5	005479 NUT,HEX LOCK— 250-20,NYLOC,ZN	5
6	005373 WSHR FLT 281ID 625OD 062T STL	3
7	001263 SCR MACH RD HD 8-32X 750L	2
9	001295 SCR MACH RD HD 10-24X 625L	1
10	056903 CLAMP,LOOP— 500 DIA ,NYLON	1
11	050406 SPACER,NYLON— 203X 437, 125L	1
12	026067 SWITCH,TILT—MERCURY,36V,RINGS	1
13	027163 TERMINAL BLOCK—2-POLE,RING	1
14	003368 NUT,HEX LOCK— 375-16,ZN PLT	2
15	004522 WSHR LK 176ID 831OD 023TEXTSS	2
16	004253 WSHR LK 204ID 410OD 025T EXT	1
17	003279 NUT,HEX— 10-24,ZN PLT	1
18	003276 NUT,HEX— 8-32,ZN PLT	2
19	002256 SCR CAP HEX HD 250-20X1 00L	5
20	005316 SCR TPG F PAN HD 10-24X 375L	3
21	057152 BRACKET,STL—WHEEL,DURAGLOSS	1
22	003246 SCR CAP HEX HD 312-18X1 00L	2
23	004218 WSHR FLT 344ID 750OD 060T STL	2
24	053699 SPACER,STL— 312X 437, 43L	2
25	053720 WHEEL—4 00DIA, 438BORE, 688HB	2
26	002410 SCR CAP HEX HD 250-20X3 00L	1
27	057153 ROLLER—DURAGLOSS,1 00 ODX1 94	1
30	057072 BSHG,SNAP—HEYCO 2126	2
31	004212 WSHR LK 326ID 586OD 078TSPLT	3
32	003349 NUT,HEX— 312-18,ZN PLT	2
33	033915 WDMT,PLATE/HUB—DRIVE,KF-2001B	1

DET. PART NO.	DESCRIPTION	QUANT.
34	052765 SPACER,STEEL—1 120X 343X 25TH	1
36	223156 SCR CAP HEX HD 312-24X 750L	1
37	035294 ASM,SEAL—VELCRO & RUBBER	1
38	020380 HOLDER,PAD—20 00",PLSTFLEX	1
39	001493 SCR CAP FLAT HD— 375-16X1 00L	3
40	052736 BAR,STL— 179X1 25X 6 12L	1
41	002380 SCR TPG F PAN HD 10-B X 625L	2
42	052373 CLAMPING PLATE—H S PAD HOLDER	1
43	035270 WDMT,PAD RETAINER SCR—KF2025B	1
44	056885 FRAME,CHANNEL—11GA,KF2025B	1
45	002253 SCR CAP HEX HD 250-20X 750L	2
46	002278 WSHR LK 262ID 489OD 062TSPLT	2
47	048071 HANDLE,STL	1
48	005457 SCR MACH PAN HD 10-24X1 00L	2
49	046688 CLAMP,HOSE—1 75 MAX DIA,WORM	2
50	056949 HOSE,VINYL—1 5ID,30 0L,BLACK	1
51	005387 SCR SET CUP PT 312-18X 500L	2
52	054222 NOZZLE—1 5DIA,6 0L,ABS	1
53	005480 NUT,HEX LOCK— 10-24,NYLOC	2
54	035278 WDMT,COVER—20"PAD,KF2025B	1
55	057107 TUBE,STL— 50OD, 282ID,1 50L	2
56	S50243 WSHR FLT 281ID1 50OD 105T,SST	2
57	002283 SCR CAP SOC HD 250-20X2 50L	2
58	054047 RETAINER,LOOPS—VELCRO,3 75L	3
59	004254 WSHR LK 267ID 510OD 028T EXT	3
60	052225 SPACER,PHEN— 250X 500, 562L	2
61	057108 BRKT,STL— 188 X 69 X 3 00L	2
62	052826 LABEL,INSTR—CAUTION,KF2000B	1
63	004384 WSHR FLT 406ID 875OD 064T STL	2

55 048071 Vial holder 2  
 56 048110 Rubber 1



# FRAME ASSEMBLY



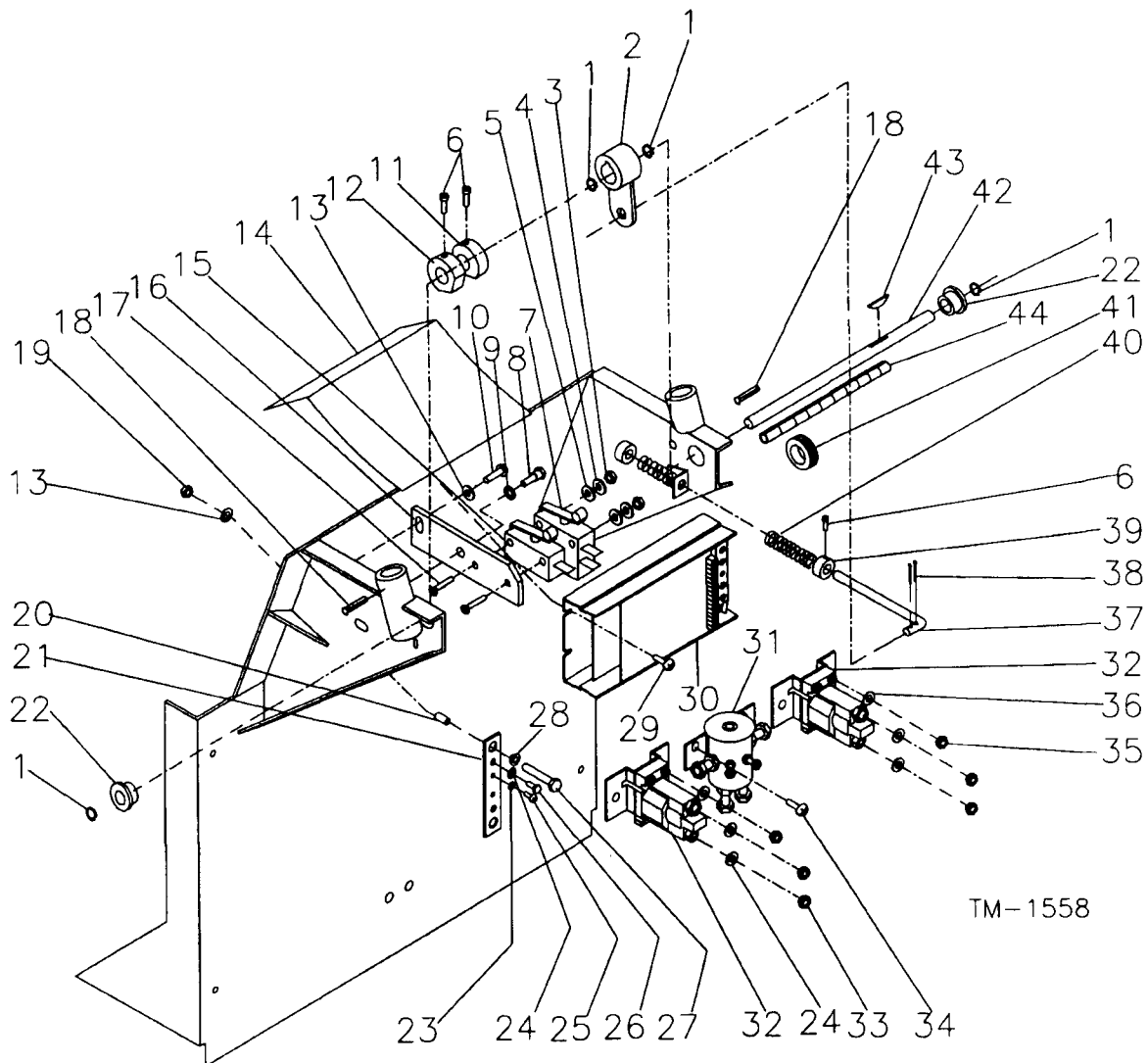
# FRAME PARTS LIST

DET.	PART NO.	DESCRIPTION	QUANT.
1	057105	COVER, TOP—DURA GLOSS, FLAMETR	1
2	026512	BATTERY—6VOLT, 250AH, WET	6
2	027048	BATTERY—6VOLT, 330AH, WET	6
3	056874	BOX, BATTERY—MACHINED, KF2025B	1
4	002471	SCR CAP SOC HD—25-20X1 25 L	2
5	005373	WSHR FLT 281ID 625OD 062T STL	2
6	056761	RING, RTNG—INT, 500BORE, N5000	2
7	056359	SHAFT, STL—750DIA, 1 75L	2
8	056594	HANDLE, ACTUATOR—AUTOS, PAINTED	1
9	005387	SCR SET CUP PT 312-18X 500L	2
10	056595	HANDLE, STL—625DIA, PAINTED	1
11	056945	COVER, CONTROL—MACH, DURAGL	1
12	002344	SCR CAP SOC HD 250-20X 500L	2
13	002371	SCR TPG F PAN HD 10-24X 625L	12
14	004443	WSHR LK 200ID 375OD 022T INT	2
15	056924	COVER, WIRE—14GA X 5 00 X 5 60	1
16	038531	WSHR LK 265ID 442OD 025T INT	10
17	002247	SCR MACH RD HD 250-20X 625L	8
18	056871	GROM—1 25ID, 1 38MHD, 12PNL	1
19	057161	PANEL, SIDE—16GASS, 17 125X33 5	2
20	056928	LABEL, IDENT—KENT, KF2025B	2
21	056868	LABEL, IDENT—DURAGLOSS	2
22	035298	WDMT—BURNISHER FRAME, KF2025B	1
23	003249	SCR CAP HEX HD 312-18X1 25L	4
24	056999	TUBE, PLSTC—2 00DIA X 13 25	1
25	003262	SCR CAP HEX HD 375-16X1 00L	8
26	055658	CASTER, SWIVEL—5 0 DIA, 700 LB	2
27	004214	WSHR LK 390ID 683OD 094TSPLT	12
28	003294	NUT, HEX JAM—375-16, ZN PLT	9
29	006143	NUT, SPECIAL—1 00 PIPE, HEX LOC	1
31	005482	SCR TPG F PAN HD 10-24X 875L	4
32	003368	NUT, HEX LOCK—375-16, ZN PLT	4
33	026922	BLOCK, TERMINAL—2 POLE, 70 AMPS	1
34	056883	BAR, STL—50 X 1 00 X 14.00L	2
35	056882	BSHG, SLV—50OD 384ID 540L, STL	4
36	003264	SCR CAP HEX HD 375-16X1 25L	4
37	024432	ASM, GEAR MOTOR—75HP W/WIRES	1
38	045815	KEY, SQUARE—250 SQ, 875 LONG	1
39	056505	SPROCKET, CHAIN—#40, 500P, 17T	1
40	056448	CHAIN, ROLLER—#40, 70LK&CONN	1

DET.	PART NO.	DESCRIPTION	QUANT.
41	035106	BRACKET—DRIVE MOTOR	1
42	002332	SCR CAP HEX HD 375-16X1 75L	1
43	056527	KEY, SQUARE—250SQ, 1 50L	1
44	003264	SCR CAP HEX HD 375-16X1 25L	4
45	002244	SCR SET CUP PT 250-20X 625L	2
46	004384	WSHR FLT 406ID 875OD 064T STL	4
47	056681	SPACER, STL—375X 625, 400L	4
48	027221	BRG, BALL, ANLR, SLD—SELF ALGN	2
49	004212	WSHR LK 326ID 586OD 078TSPLT	8
50	003349	NUT, HEX—312-18, ZN PLT	8
51	056998	WHEEL—8 00DIA, 1 00HUB, MACH	1
52	056892	TUBE, STL—1 00ID X 3 413L	1
53	056887	SPROCKET, CHAIN—#40, 32T, MACH	1
56	056888	DIFFERENTIAL—DRIVE, KF2025B	1
57	056893	TUBE, STL—1 00ID X 4 408L	1
58	057104	COVER, FRONT—DURA GL FLAMETR	1
59	056872	GROM—75ID, 88MHD, 12PHN	1
60	026573	CHARGER PLUG—	1
61	004250	WSHR LK 148ID 250OD 031TSPLT	2
62	001244	SCR MACH RD HD 6-32X 750L	2
63	005629	SCR CAP HX RD 375-16 X 12 0	4
64	004384	WSHR FLT 406ID 875OD 064T STL	4
65	025085	ASM, WIRE—6GA, BLK, 10 2L, RINGS	5
67	035269	WDMT, DUST ATTACHMENT—KF2025B	1
68	001448	SCR TPG F PAN HD 10-24X 250L	4
69	001298	SCR MACH RD HD 10-24X 750L	4
70	039496	BAG, CLOTH—DUST COLLECTOR	1
71	002243	SCR CAP HEX HD 250-20X 625L	2
72	056918	PLATE, STL—16GA X 1 50 X 15 25	1
73	056919	RUBBER, CURTAIN—125X8 75X15 5	1
74	045815	KEY, SQUARE—250 SQ, 875 LONG	1
75	057149	OBS, REPLACED BY 057161	1
76	005373	WSHR FLT 281ID 625OD 062T STL	4
77	050871	LABEL, INSTR—WRN, FLAMMABLE	1
78	057008	LABEL—BATTERY MAIN SCH, BURN	1
79	057007	LABEL—BATTERY WIRING, BURN	1
80	005480	NUT, HEX LOCK—10-24, NYLOC	4
81	004208	WSHR FLT 281ID 500OD 036T STL	4
82	005482	SCR TPG F PAN HD 10-24X 875L	4
83	004384	WSHR FLT 406ID 875OD 064T STL	2

26 056863 056863 17

# BACK PANEL ASSEMBLY AND PARTS LIST



TM-1558

DET. PART NO.	DESCRIPTION	QUANT.
1	004351 RING,RTNG—EXT, 500 SHAFT, "E"	4
2	035312 WDMT,COLLAR & BAR—BURN	1
3	003274 NUT,HEX— 6-32,ZN PLT	2
4	004250 WSHR LK 148ID 250OD 031TSPLT	2
5	004200 WSHR FLT, 156ID 310OD 065T BRS	2
6	001343 SCR CAP SOC HD 10-24X 500L	4
7	027143 SWITCH,PUSH—DPDT,ROLLER,20A	1
8	E47685-1 SCR SHLDR TPG F 250-20, 172S	1
9	E49043 WSHR SPR TNSN 345ID 562OD 010	1
10	002343 SCR TPG F PAN HD 250-20X 500L	1
11	053137 CAM,CONTROL—BRAKE SWITCH	1
12	053136 CAM,CONTROL—REVERSE SWITCH	1
13	002278 WSHR LK 262ID 489OD 062TSPLT	3
14	027076 INSULATION BARRIER—SPLASH CVR	1
15	027164 SWITCH,PUSH—SPST,ROLLER,25A	1
16	057148 PLATE,STL—DURAGLOSS	1
17	001516 SCR MACH FLAT HD—6-32X1 75L	2
18	005624 PIN,ROLL— 312DIA,1 000"L	2
19	003283 NUT,HEX— 250-20,ZN PLT	2
20	048268 SPACER,PLSTC— 500X 625, 500L	2
21	048269 BAR,STL— 187X 750X 4 00 LONG	1
22	027131 BRG,FLANGE— 500ID 750OD 500W	2

DET. PART NO.	DESCRIPTION	QUANT.
23	005297 WSHR LK 200ID 334OD 047TSPLT	2
24	004214 WSHR LK 390ID 683OD 094TSPLT	6
25	001283 SCR MACH RD HD 10-24X 375L	2
26	003242 SCR CAP HEX HD 312-18X 500L	2
27	002269 SCR CAP HEX HD 250-20X1 25L	2
28	004369 WSHR SHLDR 250ID 562OD 120T,NY	2
29	005316 SCR TPG F PAN HD 10-24X 375L	4
30	027138 CONTROL—DC,PROGRAMMABLE	1
31	026713 SOLENOID,DOUBLE THROW—SWITCH	1
32	026504 SOLENOID—SWITCH,SPNO,36VDC	2
33	003348 NUT,HEX JAM— 312-24,STL	4
34	001514 SCR TPG F PAN HD 250-20X 375L	6
35	003278 NUT,HEX— 10-32,ZN PLT	4
36	004443 WSHR LK 200ID 375OD 022T INT	4
37	056962 ROD,STL— 297DIA, 5 00 LONG	1
38	004297 PIN,COTTER— 094X 750 LONG	2
39	048987 COLLAR-CENTERING SPRING	2
40	056961 SPRING,COMP 48ODX2 25L, 045WD	2
41	056871 GROM—1 25ID,1 38MHD, 12PNL	1
42	056260 SHAFT,ACTUATOR— 500 OD,16 31L	1
43	054609 KEY,WOODRUFF—#404, 500D, 125W	1
44	057176 TUBE,PLSTC—SLIT, 81ODX11 0"L	1

TM-1558

# TROUBLE SHOOTING GUIDE

PROBLEM	CAUSE	SOLUTION
1 Machine will not move	<ol style="list-style-type: none"> <li>1 Key is not turned in POWER position</li> <li>2 Battery condition low</li> <li>3 Speed set too low</li> </ol>	<ol style="list-style-type: none"> <li>1 Turn keylock switch clockwise</li> <li>2 Check BATTERY CONDITION meter and charge batteries</li> <li>3 Adjust speed control knob</li> </ol>
2 Pad drive motor will not start	<ol style="list-style-type: none"> <li>1 Battery condition low</li> <li>2 Circuit breaker tripped</li> </ol>	<ol style="list-style-type: none"> <li>1 Check voltmeter and charge batteries</li> <li>2 Reset by pushing circuit breaker button</li> </ol>
3 Machine streaking a cleaned floor	<ol style="list-style-type: none"> <li>1 Debris lodged under pad</li> <li>2 Worn pad</li> </ol>	<ol style="list-style-type: none"> <li>1 Raise the pad head and clean the pad</li> <li>2 Replace the pad</li> </ol>
4 Short operating time	<ol style="list-style-type: none"> <li>1 Battery charge condition very low</li> <li>2 Corroded wires or connectors</li> <li>3 Bad Battery</li> </ol>	<ol style="list-style-type: none"> <li>1 Recharge batteries fully before beginning operation</li> <li>2 Clean thoroughly</li> <li>3 Replace defective battery</li> </ol>
5 Charger will not come on	<ol style="list-style-type: none"> <li>1 DC or AC cords are not connected</li> <li>2 Fuse defective</li> </ol>	<ol style="list-style-type: none"> <li>1 Connect</li> <li>2 Replace fuse</li> </ol>

## WARNING!

**TO AVOID SERIOUS INJURY, DISCONNECT THE POWER CORD FROM THE ELECTRICAL OUTLET. ANY ELECTRICAL SERVICING MUST BE PERFORMED BY THE DEALER FROM WHICH THE MACHINE WAS PURCHASED OR AN AUTHORIZED SERVICE STATION.**

**NOTES**

---

# THE KENT LIMITED WARRANTY

Your Kent equipment which has been manufactured, tested, and inspected in accordance with carefully specified engineering requirements, is warranted to be free from defects in material and workmanship. This warranty is, however, subject to the following qualifications, conditions, and limitations which are set forth to provide you and all users of the equipment with information concerning the duration, extent, availability, and applicability of the Kent limited warranty, the procedure to be taken to obtain its performance, and other information concerning the Kent warranty policy.

## **The Kent Limited Warranty is extended to the original end user as follows**

Automatic scrubber vacs (excluding the KA33BR) and all battery operated burnishers carry a three year parts replacement and one year labor warranty. Batteries are warranted on a prorated basis for one year. Battery chargers are warranted by the manufacturer for one year. Propane engines are warranted by the manufacturer for a period of two years (one year on the valve train) for Briggs & Stratton engines, and 3 years on Onan engines.

Replacement parts are covered for the remainder of the machine's warranty or 90 days, whichever is longer.

All sweepers, all pressure washers, all propane burnishers, and the KA33BR have a one year parts and labor warranty.

Poly components carry a ten year replacement warranty with one year service labor. This warranty will not cover damage attributable to the following:

Improper, unreasonable or negligent use or abuse of the equipment.

Use of the equipment with hot water (over 130 deg F, 54 deg C).

"Warping", "Creepage", or "Distortion" of the part so long as the same does not interfere with normal operation.

Abrasions or punctures of the equipment.

The start date of the warranty coverage shall be the date the machine was shipped from the factory, or with proof of purchase, the purchase date of the original end user. The start date of the warranty shall not exceed one year from the date that the unit leaves the factory.

## **Parts of Kent Equipment not covered by the Kent Limited Warranty**

Certain parts of Kent Equipment require replacement in the ordinary course of use due to normal wear by reason of their characteristics. These are normal wear items such as cords, squeegee blades, belts, gaskets, bumpers, carbon brushes, filters, hoses, bags, pad holders, brushes etc.

## **Exceptions and Exclusions from Warranty**

Defects, malfunctions, failure, or damage of the equipment caused by improper care, unreasonable or negligent use or abuse of the equipment are excluded from this warranty. If repair is done to the equipment by anyone other than those designated as authorized to perform such work without having obtained factory authorization in writing, the Kent Company at its sole option, may determine that this warranty will not apply and that reimbursement for such repair will not be made because of the failure to comply with such factory instructions.

## **Procedure to be taken to obtain performance of warranty repair**

To secure repair of the equipment or any warranted parts under this warranty, the following procedure must be taken. The inoperative equipment or warranted parts together with satisfactory evidence of the purchase date, must be delivered, with shipping and delivery charges prepaid, to one of the following:

The dealer from whom purchased.

Any Kent distributor's service department in the United States.

Any Kent authorized service station in the United States.

If you are unable to locate any of the foregoing, you may write or otherwise communicate with The Kent Company for instructions before repair service is performed by anyone else. In such event, The Kent Company will provide either the location of a Kent authorized service department or other factory instructions. In the event that no local service department is available, Kent at its discretion will repair or replace the part or equipment at the factory, the products will be returned to the owner freight prepaid. No warranty will be honored without proof of purchase, the model number, and serial number if applicable.

## **Replacement**

In the event of a defect, malfunction, or failure of your Kent equipment or any warranted part to conform with this warranty, The Kent Company may, at its sole option and own expense, replace the equipment or any warranted part with another new identical or reasonably equivalent model or part in lieu of repairing the defect.

## **No refund of purchase price**

The Kent Company will not, as a matter of its warranty policy, refund the customer's purchase price.

## **Warranty registration**

Your Kent Company distributor from whom you purchased your equipment is responsible for the registration of your warranty with the factory. We ask that you cooperate with your distributor in supplying the necessary information on the warranty card so that we may better serve you. Any information or questions that you may have concerning your Kent equipment or this warranty may likewise be secured from the factory. This warranty gives you specific legal rights, and you may also have other rights which vary from state to state.