

Minuteman[®]



Parts Manual

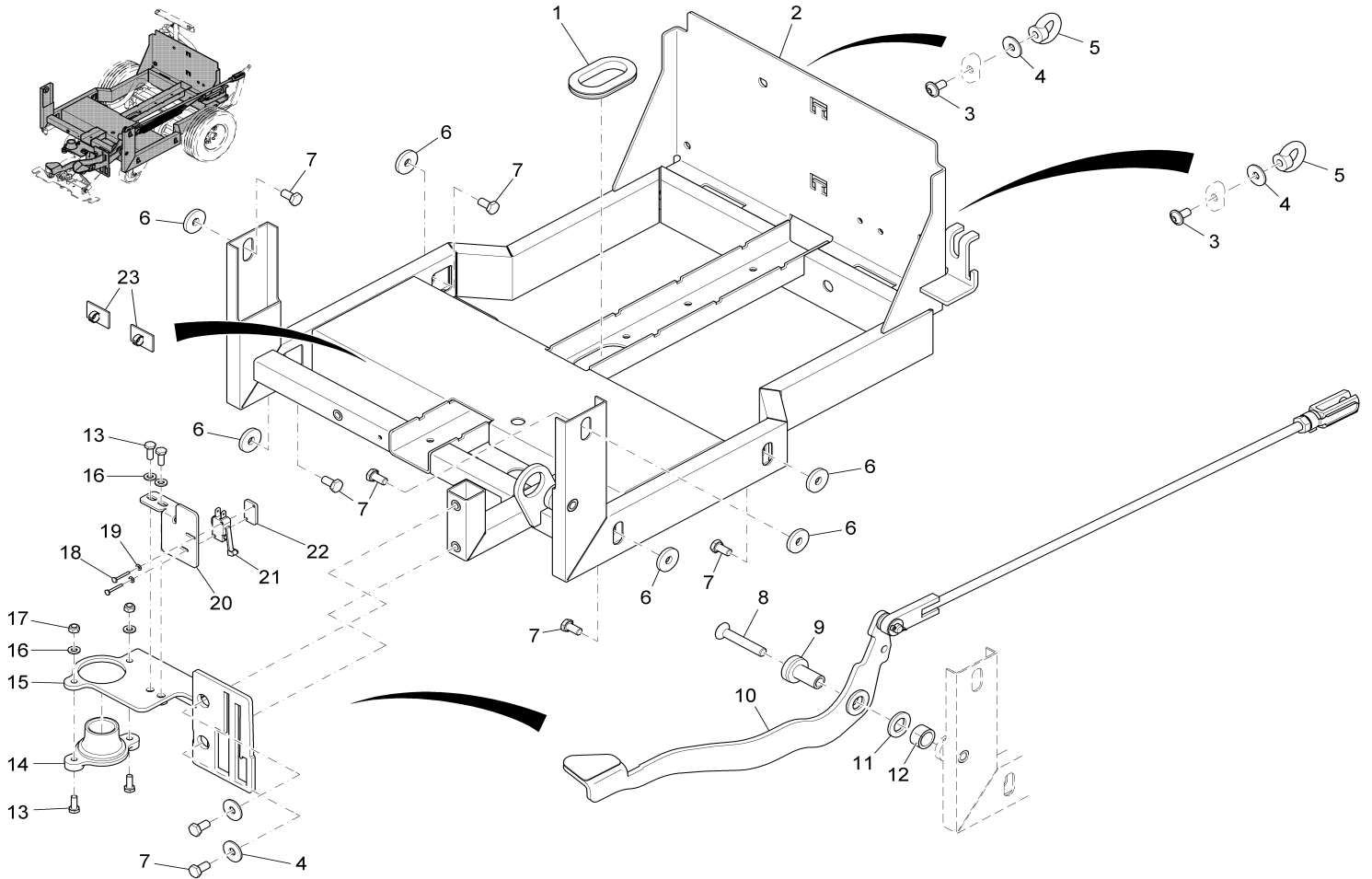
E24 Walk-Behind Scrubber

For Safety When Servicing or Maintaining Machine

- Stop on level surface.
- Disconnect the power to the machine by pulling the red Battery Connector located under the recovery tank near the batteries.
- Avoid moving parts. Do not wear loose jackets, shirts, or sleeves when working on machine.
- Avoid contact with battery acid. Battery acid can cause burns. When working on or around batteries, wear protective clothing and safety glasses. Remove metal jewelry. Do not lay tools or metal objects on top of batteries.
- Do not clean machine with a pressure washer.
- Authorized personnel must perform repairs and maintenance. Use Minuteman supplied replacement parts.

Assembly Group	Description	Page
99706131BT10	Chassis Assembly I	1
	Lift Pedal Subassembly	2
99706131BT20	Chassis Assembly II	3
99706131BT30	Chassis Assembly III	4
	Water Supply Subassembly I	5
	Water Supply Subassembly II	6
	Squeegee Connection Subassembly Part A	7
	Squeegee Connection Subassembly Part B	8
99706131BT40	Battery Tray Assembly	9
99706131BT50	Solution Tank Assembly	10
	Recovery Tank Drain Hose Subassembly	11
99706131BT60	Recovery Tank Assembly	12
99706131BT70	Vacuum Motor Assembly	13
99706131BT80	Squeegee Lift Handle Assembly	14
99706131BT100	Squeegee Assembly I	15
99706131BT110	Squeegee Assembly II	16
99706131BT120	Control Panel Assembly	17
	Console Subassembly	18
99706131BT130	Electrical Assembly I	19
	Retainer Subassembly	20
99706131BT140	Electrical Assembly II	21
99706131BT160	Battery Charger Assembly	22
99706131BT170	Machine Labels	23
99706131BT180	Cylindrical Scrub Deck Assembly	24
	Cylindrical Brush Drive Head Assembly I	25
	Dirt Hopper Subassembly	26
	Cylindrical Brush Drive Head Assembly II	27
	Carrier Subassembly	28
	Cylindrical Brush Drive Head Assembly II	29

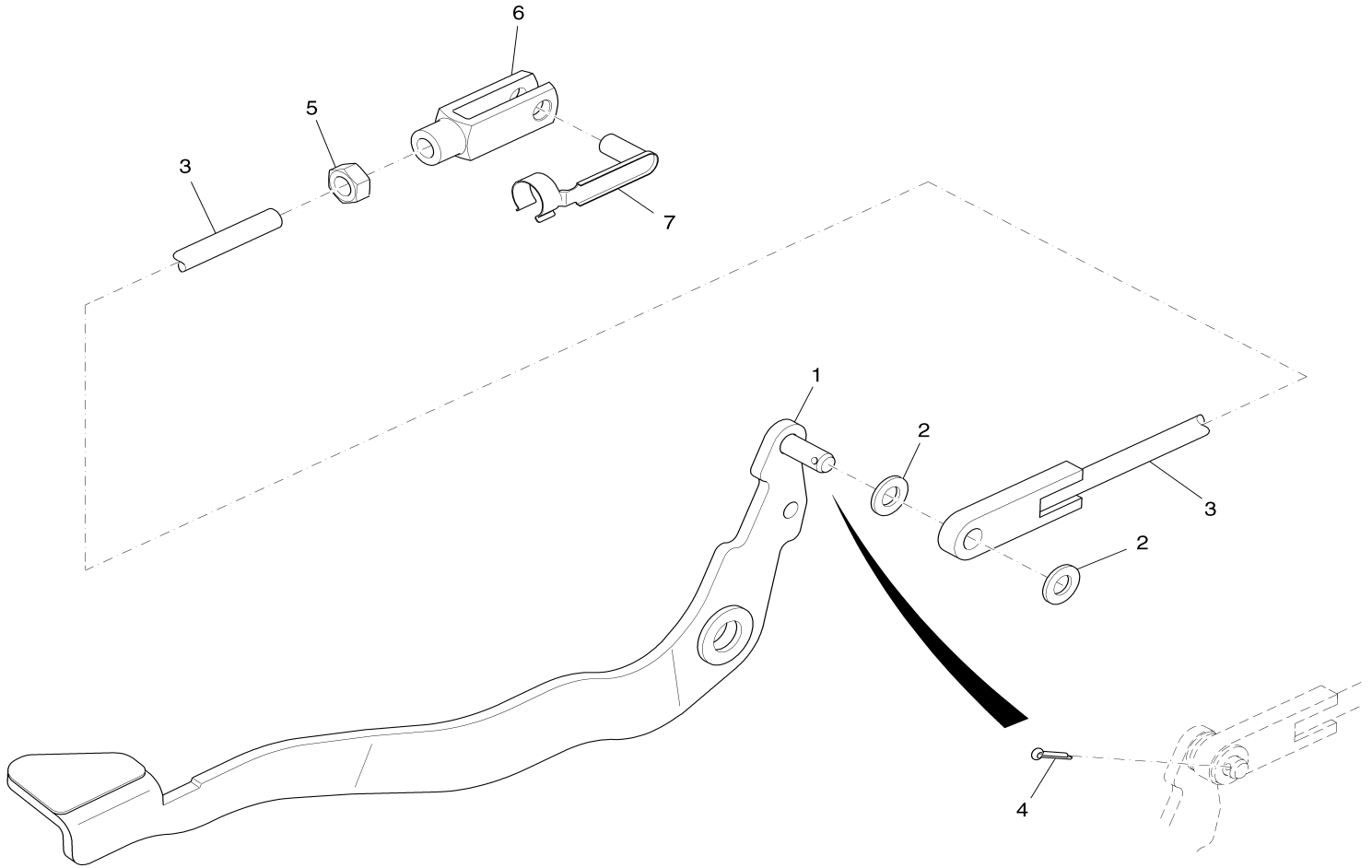
Chassis Assembly I



Bill of Material - 99706131BT10

Item	Spare part number	Mat. No.	Qty.	Description
1	01078440	90513367	1	Grommet
2	03006710	96107958	1	Chassis
3	01074320	11177187	2	Lens flange screw
4	00042900	12332029	4	Washer
5	01078450	12160024	2	Nut
6	00047990	12515086	6	Washer
7	00053080	11038197	8	Hexagon screw
8	01078140	11225620	1	Countersunk screw
9	01077800	90509522	1	Bushing
10	99706131BT10-1		1	Lifting pedal, DO NOT ORDER - ITEM HAS SUBMODULES
11	00053790	12310082	1	Washer
12	01077790	90509027	1	Pipe
13	00053010	11038072	6	Hex.bolt
14	01077780	90508391	1	Bushing
15	Not Available	96117387	1	Sheet metal
16	00053730	12310033	4	Washer
17	00051520	12040044	2	Hexagon nut
18	00022180	11039088	2	Hex.bolt
19	00553740	12310132	2	Washer
20	Not Available	90528787	1	Retainer
21	00975510	90306002	1	Micro switch
22	01074840	90471483	1	Thread base plate
23	01143190	17526070	2	Cable clip

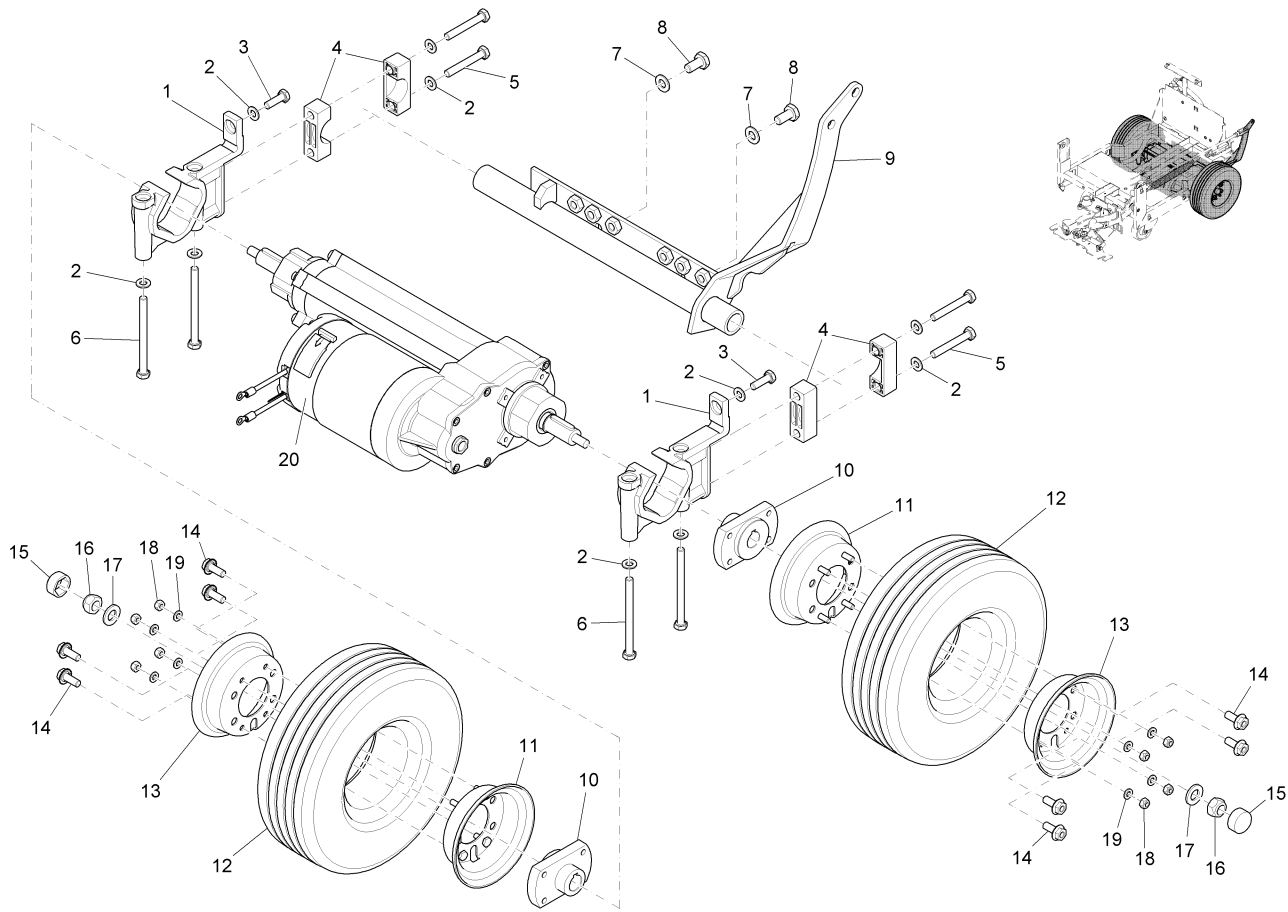
Chassis Assembly I
Lift Pedal Subassembly



Bill of Material - 99706131BT10-1

Item	Spare part number	Mat. No.	Qty.	Description
1	Contact Minuteman	96117379	1	Lifting pedal
2	00053760	12310058	2	Washer
3	01077930	96111877	1	Rod
4	00551410	13280110	1	Cotter pin
5	00053360	12022067	1	Hexagon nut
6	00925430	16055063	1	Fork yoke
7	00925420	13390042	1	Bolt

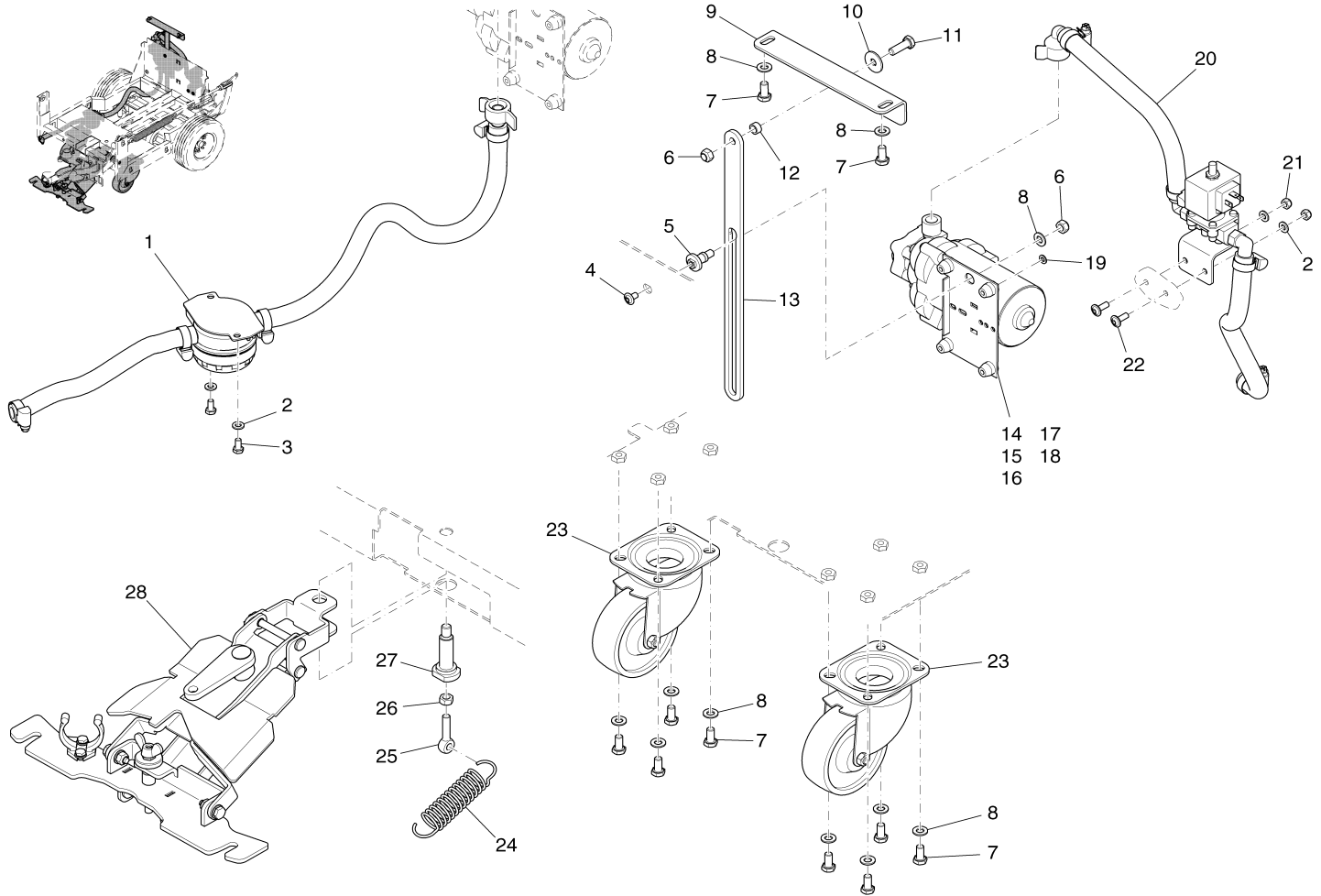
Chassis Assembly II



Bill of Material - 99706131BT20

Item	Spare part number	Mat. No.	Qty.	Description
1	01078480	90512062	2	Bearing AMER
2	00053750	12310041	10	Washer
3	00053100	11038247	1	Hexagon screw
4	01078020	90481664	4	Block
5	00053260	11038296	4	Hex.bolt
6	00053140	11032273	4	Hex.bolt
7	00053760	12310058	2	Washer
8	00021130	11038353	2	Hex.bolt
9	01078490	96116009	1	Lever
10	01078010	90510116	2	Hub
11	00621690	96057013	2	Rim
12	01056130	90398165	2	Tyre
13	00621710	90251869	2	Rim
14	00959310	11717022	8	Hex.bolt
15	01031540	15592058	2	Protection cap
16	00051490	12040077	2	Hexagon nut
17	00053770	12310066	2	Washer
18	00051520	12040044	8	Hexagon nut
19	00053730	12310033	8	Washer
20	01079400	90531609	1	Traction drive

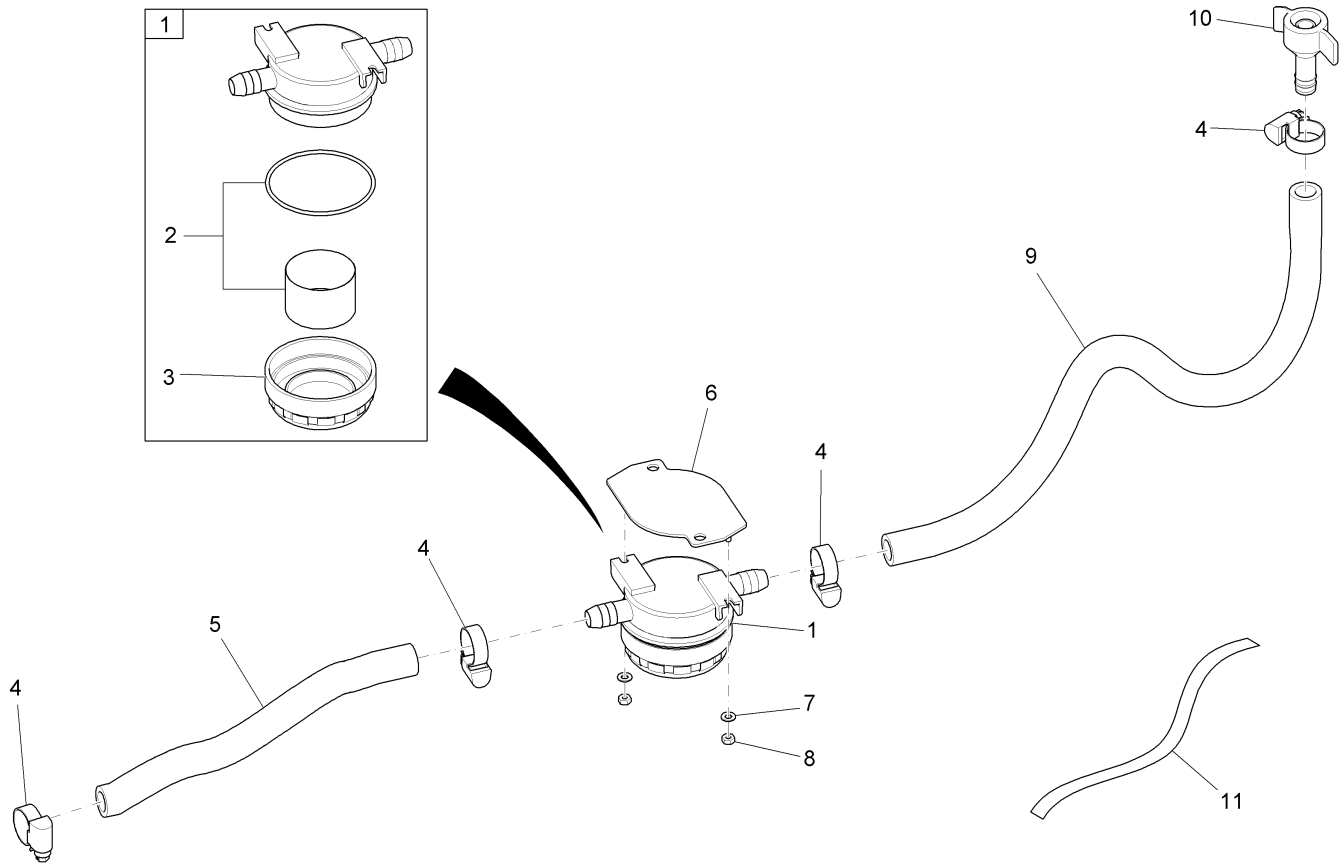
Chassis Assembly III



Bill of Material - 99706131BT30

Item	Spare part number	Mat. No.	Qty.	Description
1	99706131BT30-1		1	Water supply, DO NOT ORDER - ITEM HAS SUBMODULES
2	00053730	12310033	4	Washer
3	00104500	11038064	2	Hexagon screw
4	01072520	11177179	1	Lens flange screw
5	01077820	90513243	1	Bushing
6	00051510	12040051	2	Hexagon nut
7	00053080	11038197	10	Hexagon screw
8	00053750	12310041	11	Washer
9	01077760	90503160	1	Retainer
10	00042900	12332029	1	Washer
11	00053100	11038247	2	Hexagon screw
12	01077700	90473158	1	Bushing
13	01077740	90495268	1	Sheet metal
14	00543750	90329095	1	Pump
15	00559670	19725035	1	Case
16	00083640	19791029	1	Plastic cover
17	00083650	19791037	1	Plastic cover
18	00903190	19724020	1	Tab
19	00053720	12310025	1	Washer
20	99706131BT30-2		1	Water supply, DO NOT ORDER - ITEM HAS SUBMODULES
21	00051520	12040044	2	Hexagon nut
22	01017640	11177060	2	Lens flange screw
23	01077840	90515131	2	Steering roller
24	01078150	90523333	1	Tension spring
25	00735690	11518180	1	Eye bolt
26	00046500	12012019	1	Hexagon nut
27	01077830	90513573	1	Pivot
28	99706131BT30-3		1	Succor connection, DO NOT ORDER - ITEM HAS SUBMODULES

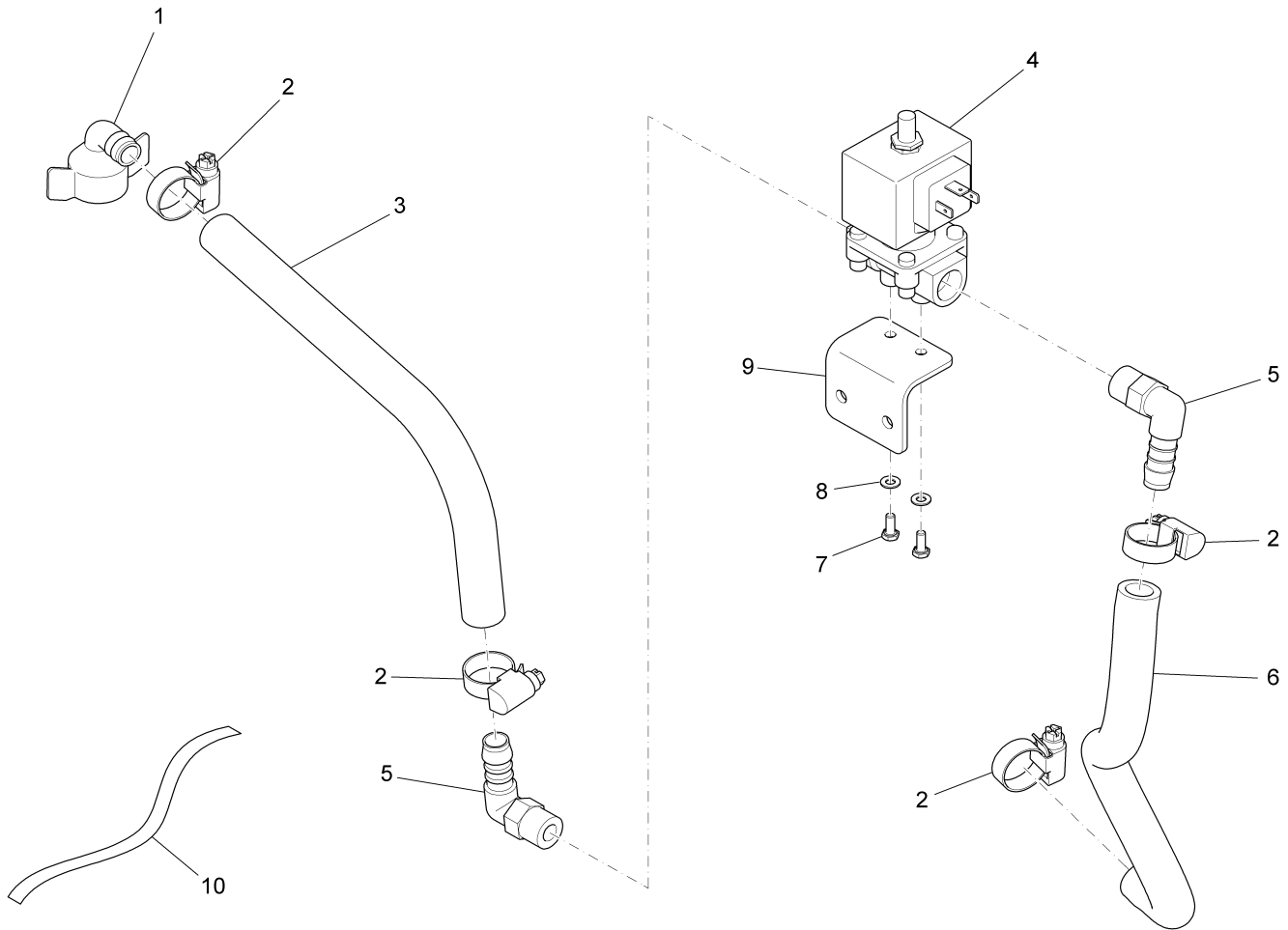
Chassis Assembly III
Water Supply Subassembly I



Bill of Material - 99706131BT30-1

Item	Spare part number	Mat. No	Qty.	Description
1	01077170	90522640	1	Water filter
2	01079170	01079170	1	Filter cartridge
3	Not Available	20925000A	1	Filter cover
4	01015350	17533159	4	Hose clamp
5	00200170	25842055	300mm	PVC hose
6	01078510	96115035	1	Sheet metal
7	00053710	12310017	2	Washer
8	00133830	12040028	2	Hex. Nut
9	00200170	25842055	480mm	PVC hose
10	01071450	90432071	1	Screwing
11	01078520	01078520	1	Sealing band

Chassis Assembly III
Water Supply Subassembly II

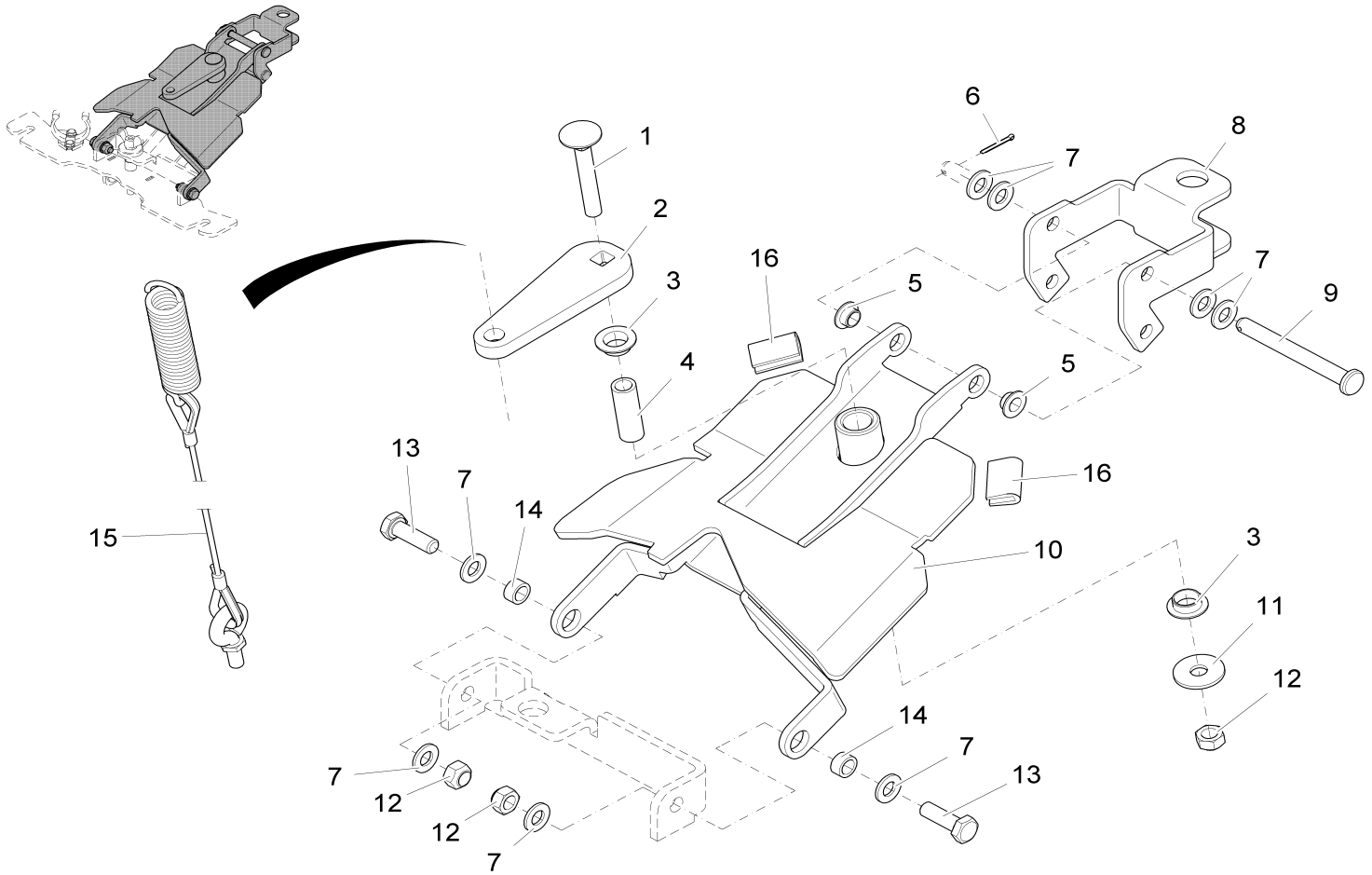


Bill of Material - 99706131BT30-2

Item	Spare part number	Mat.No.	Qty.	Description
1	00154140	90330168	1	Screwed angle fitting
2	01015350	17533159	4	Hose clamp
3	00200170	25842055	1	PVC hose
4	01071000	90435595	1	Electrovalve
5	00020020	90435595	2	Angle socket
6	00200170	25842055	1	PVC hose
7	00058580	11038965	2	Hex.bolt
8	00053710	12310017	2	Washer
9	Not Available	90524885	1	Fastener
10	01078520	01078520	1	Sealing band

Chassis Assembly III

Squeegee Connection Subassembly Part A

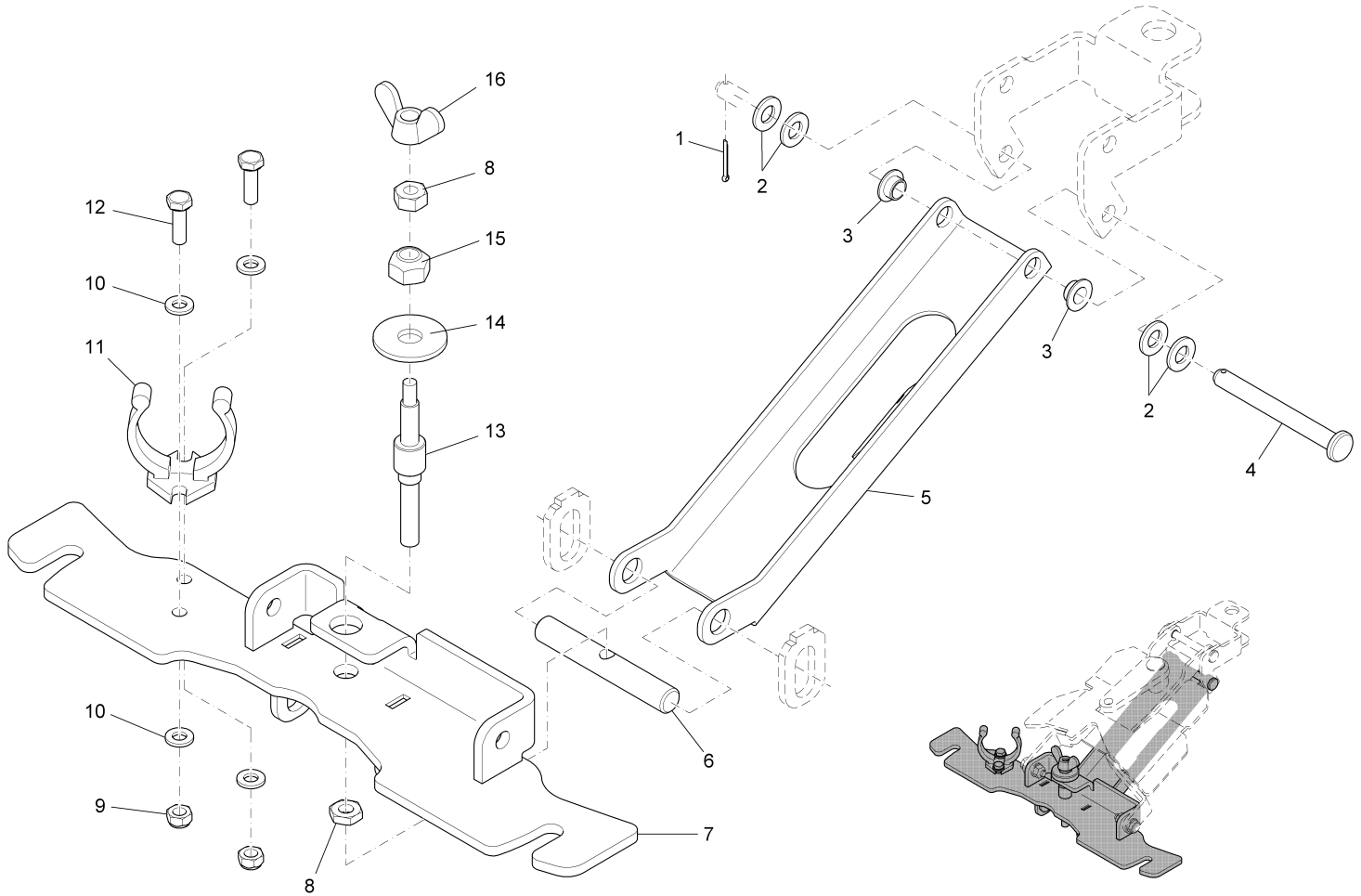


Bill of Material - 99706131BT30-3a

Item	Spare part number	Mat. No.	Qty.	Description
1	01130940	11620564	1	Cup head square neck bolt
2	Not Available	90521790	1	Sheet metal
3	01077510	14895478	2	Slide bearing bush
4	Not Available	90204702	1	Pipe
5	01078230	14895460	2	Slide bearing bush
6	00054860	13280078	1	Cotter pin
7	00053750	12310041	5	Washer
8	01079280	90534710	1	Round part
9	Not Available	13328935	1	Bolt
10	01079290	96117569	1	Sheet metal
11	00042900	12332029	1	Washer
12	00051510	12040051	3	Hexagon nut
13	00053100	11038247	2	Hexagon screw
14	01077700	90473158	2	Bushing
15	01077980	96112370	1	Linkage
16	00161240	25582024	1	Edge protection

Chassis Assembly III

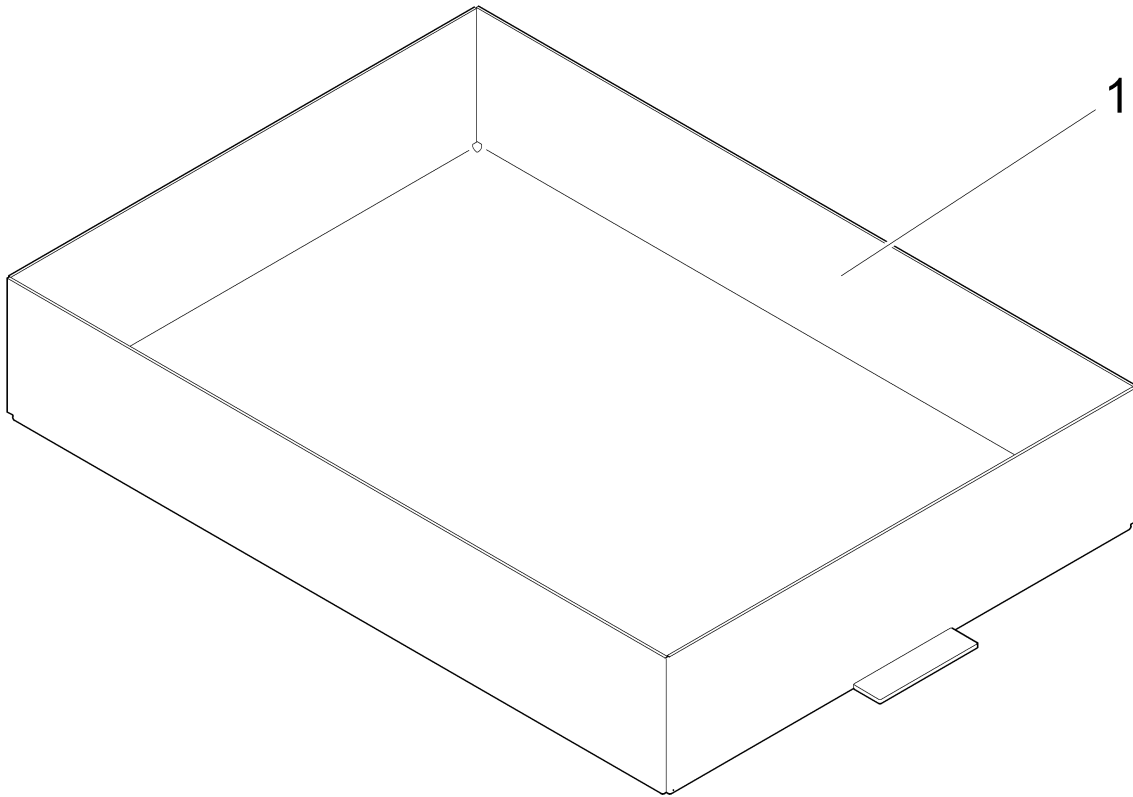
Squeegee Connection Subassembly Part B



Bill of Material - 99706131BT30-3b

Item	Spare part number	Mat. No.	Qty.	Description
1	00054860	13280078	1	Cotter pin
2	00053750	12310041	1	Washer
3	01078230	14895460	2	Slide bearing bush
4	Not Available	13328935	1	Bolt
5	01079320	90495805	1	Draft link
6	01077680	90467686	1	Bolt
7	01079330	96110242	1	Sheet metal
8	00046500	12012019	2	Hex. Nut
9	00051520	12040044	2	Hexagon nut
10	00053730	12310033	4	Washer
11	01078120	90503251	1	Hose support
12	00053020	11038098	2	Hexagon screw
13	01077850	90515149	1	Threaded pin
14	00042900	12332029	1	Washer
15	00051510	12040051	1	Knurled nut
16	00054020	12158028	1	Wing nut
17	00053330	12022042	1	Hex.nut

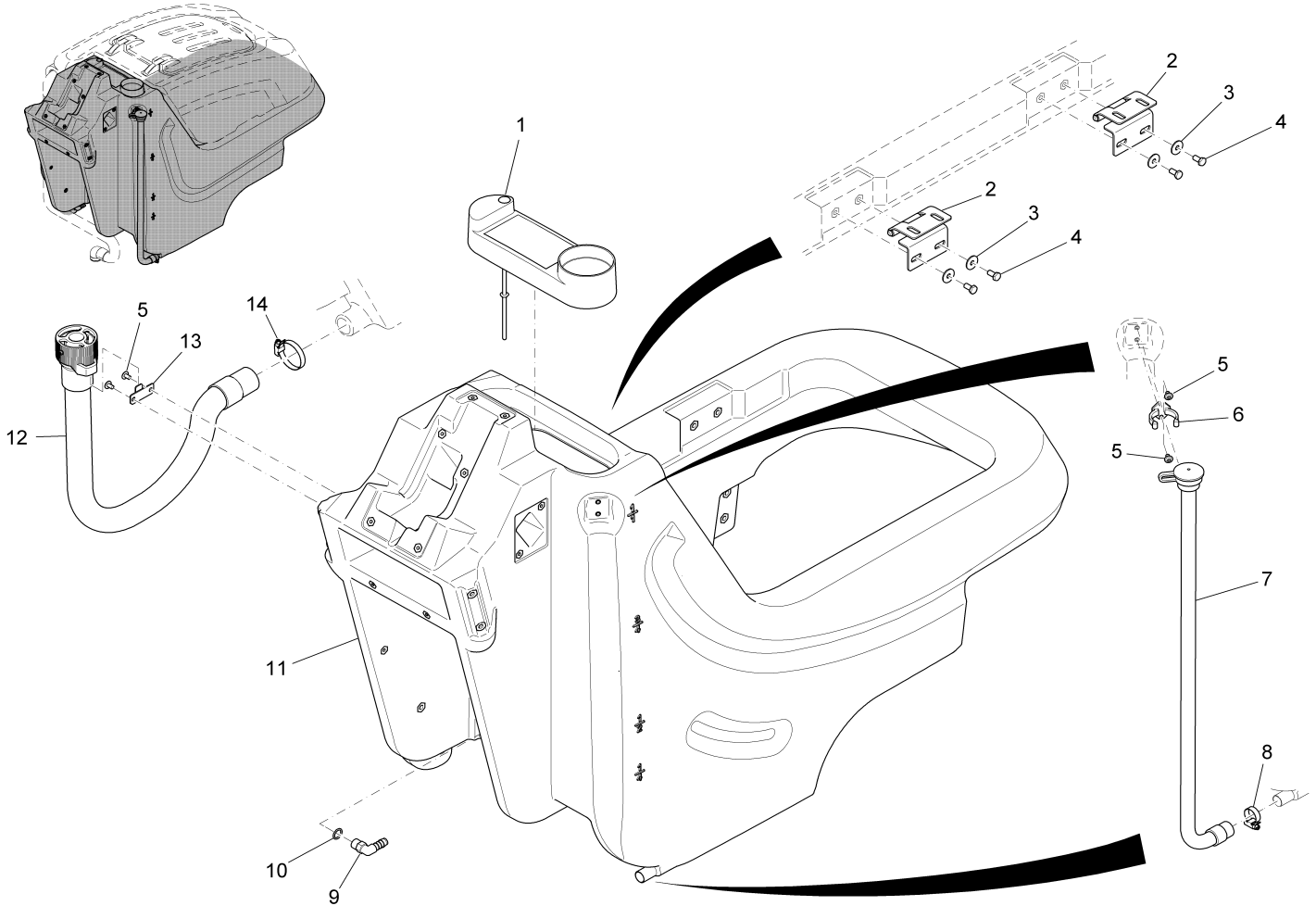
Battery Tray Assembly



Bill of Material - 99706131BT40

Item	Spare part number	Mat. No.	Qty.	Description
1	Not Available	96117643	1	Battery Tray

Solution Tank Assembly

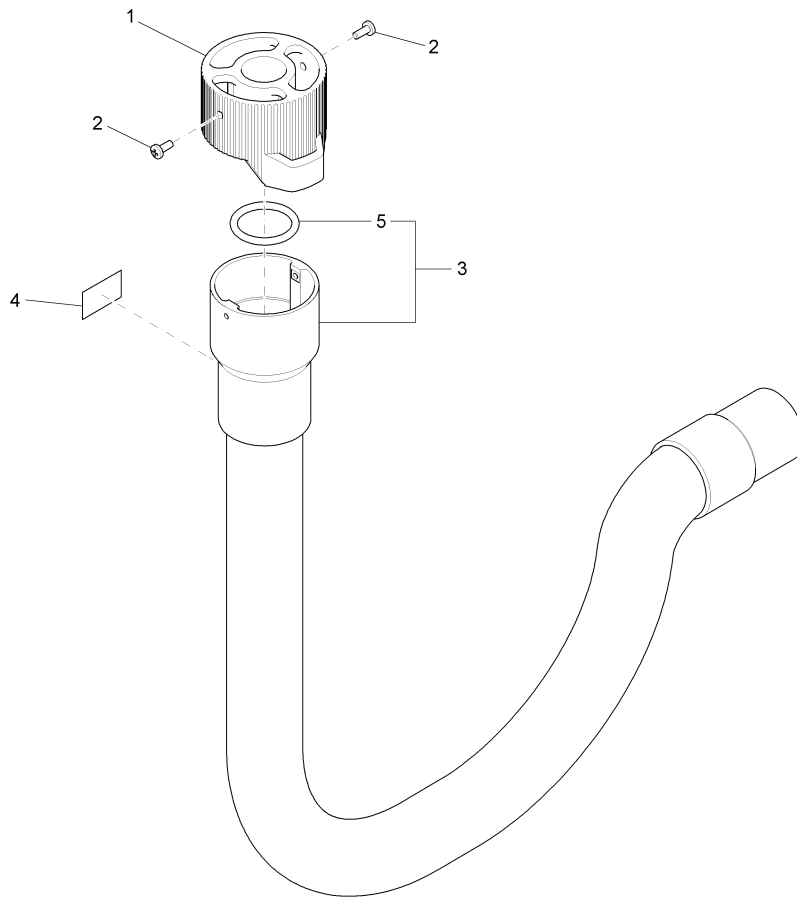


Bill of Material - 99706131BT50

Item	Spare part number	Mat. No.	Qty.	Description
1	01078100	96114061	1	Fresh water cap
2	01078110	90496910	2	Hinge
3	00042900	12332029	4	Washer
4	00053080	11038197	4	Hexagon screw
5	01072520	11177179	4	Lens flange screw
6	01078120	90503251	1	Hose support
7	01077910	96109541	1	Hose
8	01161690	17533290	1	Clamp
9	00020020	90174970	1	Angle socket
10	00057720	15286149	1	O-ring oil resistant
11	01078130	96117734	1	Solution tank
12	99706131BT50-1		1	Foul water hose cpl., DO NOT ORDER - ITEM HAS SUBMODULES
13	01077860	90517574	1	Hook
14	00751160	17533043	1	Hose clamp

Solution Tank Assembly

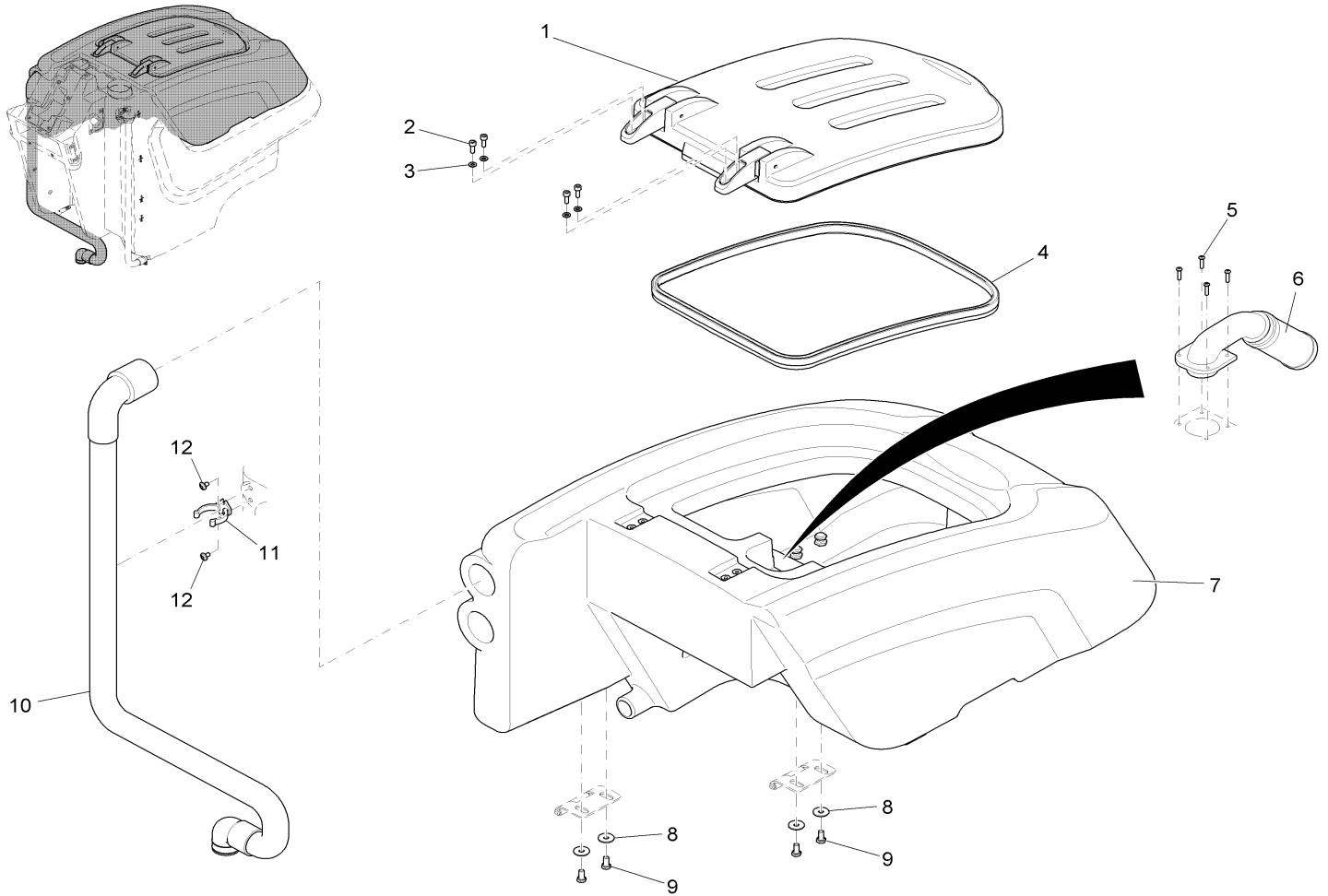
Recovery Tank Drain Hose Subassembly



Bill of Material - 99706131BT50-1

Item	Spare part number	Mat. No.	Qty.	Description
1	00906110	90304528	1	Cover
2	00906100	11175395	2	Fillister-head screw
3	01077960	97090096	1	Foul water hose
4	Not Available	17264888	1	Decal Foul Water
5	01079300	15282072	1	O-Ring

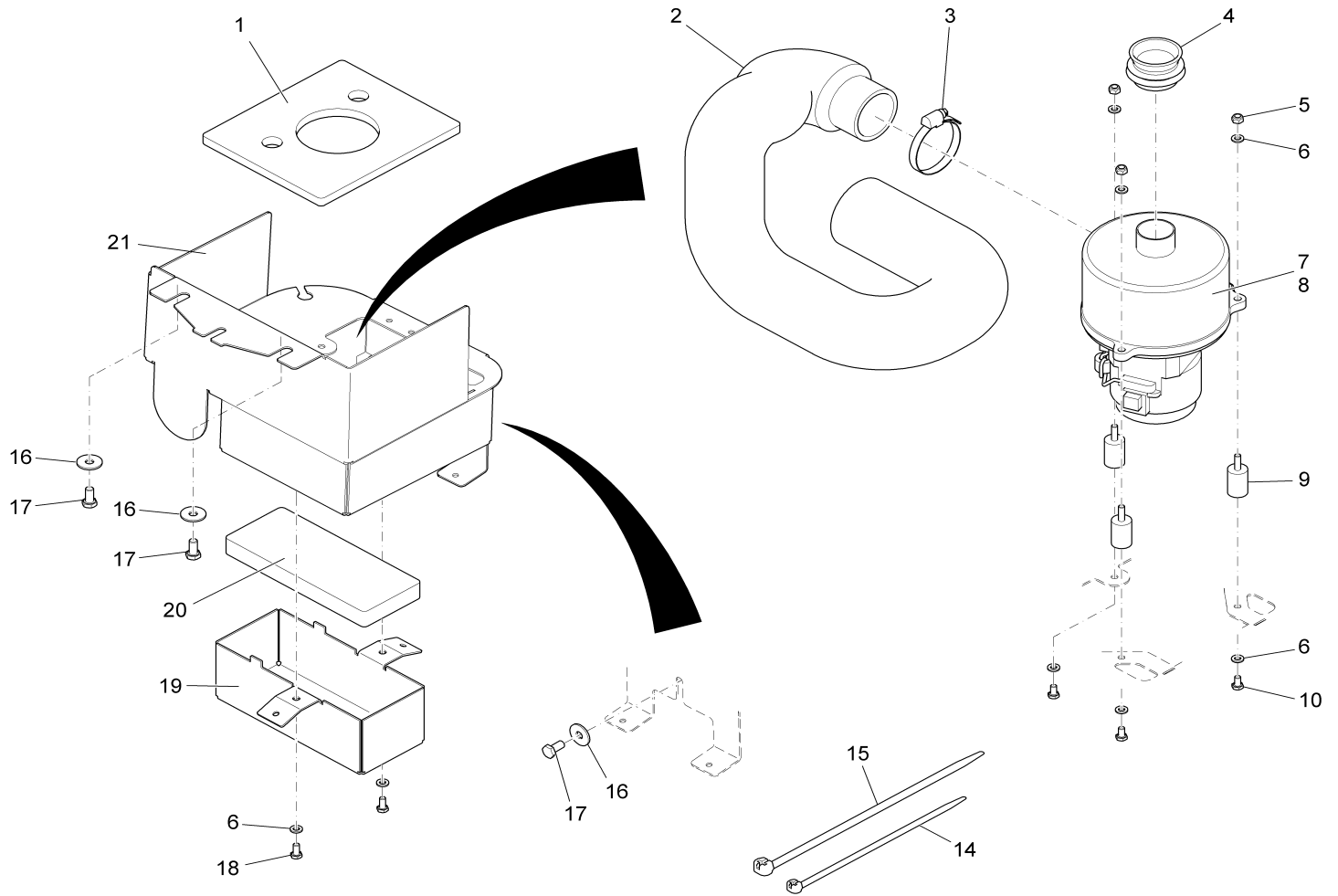
Recovery Tank Assembly



Bill of Material - 99706131BT60

Item	Spare part number	Mat. No.	Qty.	Description
1	01077990	97092951	1	Cover
2	00855560	11132065	4	Cylinder head screw
3	00053730	12310033	4	Washer
4	01071770	25510512	1	Sealing profile
5	01078160	11709151	4	Screw
6	01078250	97093843	1	Filter unit
7	01079410	96117726	1	Recovery tank
8	00042900	12332029	4	Washer
9	00053080	11038197	4	Hexagon screw
10	01077920	96111349	1	Suction hose
11	01078120	90503251	1	Hose support
12	01072520	11177179	2	Lens flange screw

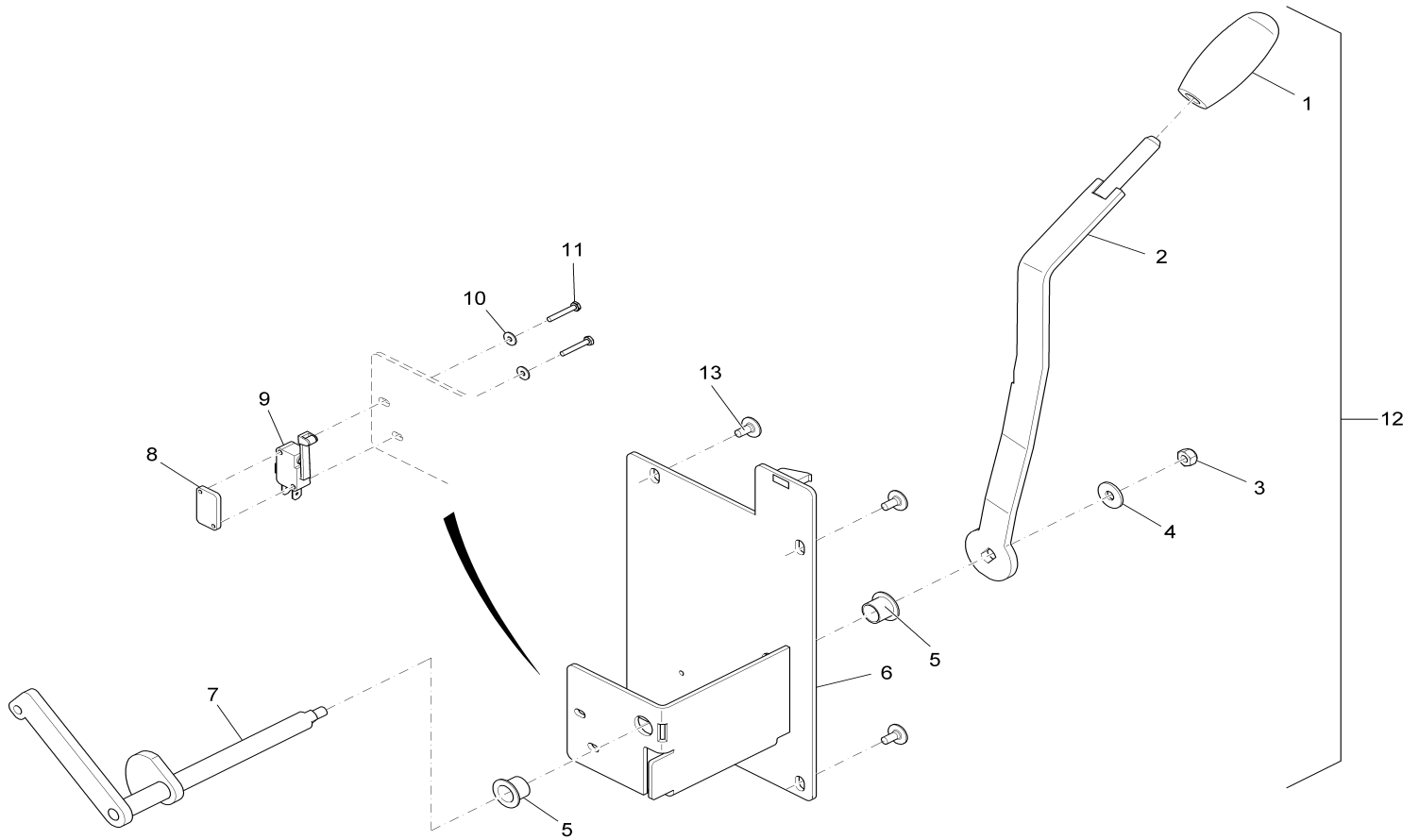
Vacuum Motor Assembly



Bill of Material - 99706131BT70

Item	Spare part number	Mat. No.	Qty.	Description
1	Not Available	90523945	1	Insulating mat
2	01077900	90519737	1	Hose
3	00732130	17533027	1	Hose clamp
4	01078180	90503657	1	Connection
5	00051520	12040044	3	Hexagon nut
6	00053730	12310033	8	Washer
7	01079350	97096200	1	Suction motor
8	Not Available		4	Carbon brush
9	01078190	90518457	3	Buffer
10	00025260	11038056	3	Hexagon screw
14	00121150	90114810	1	Cable tie
15	00967760	90156688	4	Cable tie
16	00042900	12332029	3	Washer
17	00053080	11038197	3	Hexagon screw
18	00104500	11038064	2	Hexagon screw
19	Not Available	90519653	1	Cover 70771/01
20	Not Available	90519745	1	Insulating mat
21	Not Available	96114301	1	Sheet metal

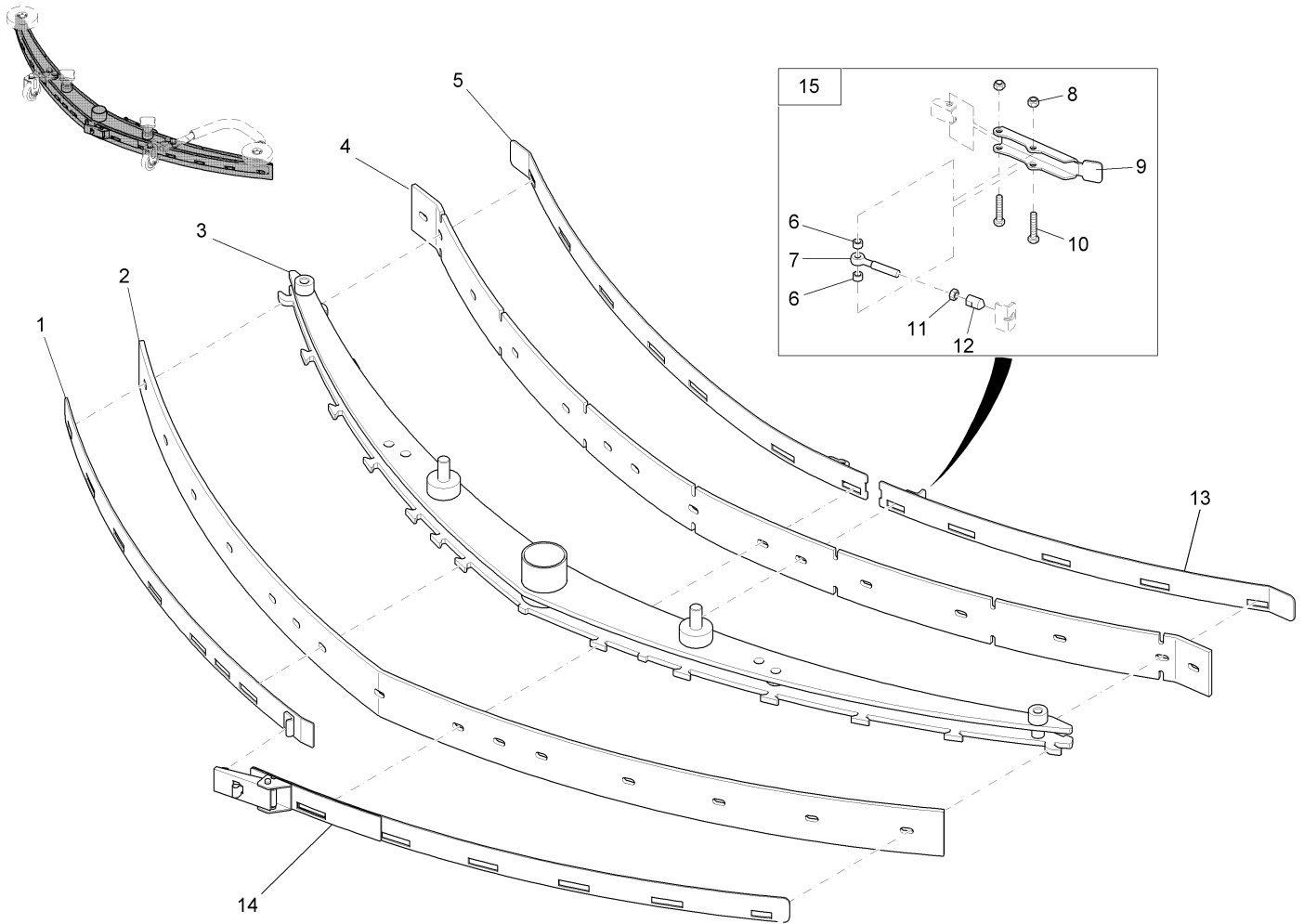
Squeegee Lift Handle Assembly



Bill of Material - 99706131BT80

Item	Spare part number	Mat. No.	Qty.	Description
1	00705560	17143025	1	Handle
2	Not Available	96117825	1	Lever
3	00051520	12040044	1	Hexagon nut
4	00135120	12332011	1	Washer
5	01071440	14895288	2	Plain bearing bush
6	Not Available	96110804	1	Support plate
7	Not Available	96110705	1	Shaft with cam
8	01074840	90471483	1	Thread base plate
9	00975510	90306002	1	Micro switch
10	00747400	12332110	2	Washer
11	00022180	11039088	2	Hex.bolt
12	00009000	97092340	1	Lifting suction unit
13	01072520	11177179	4	Lens flange screw

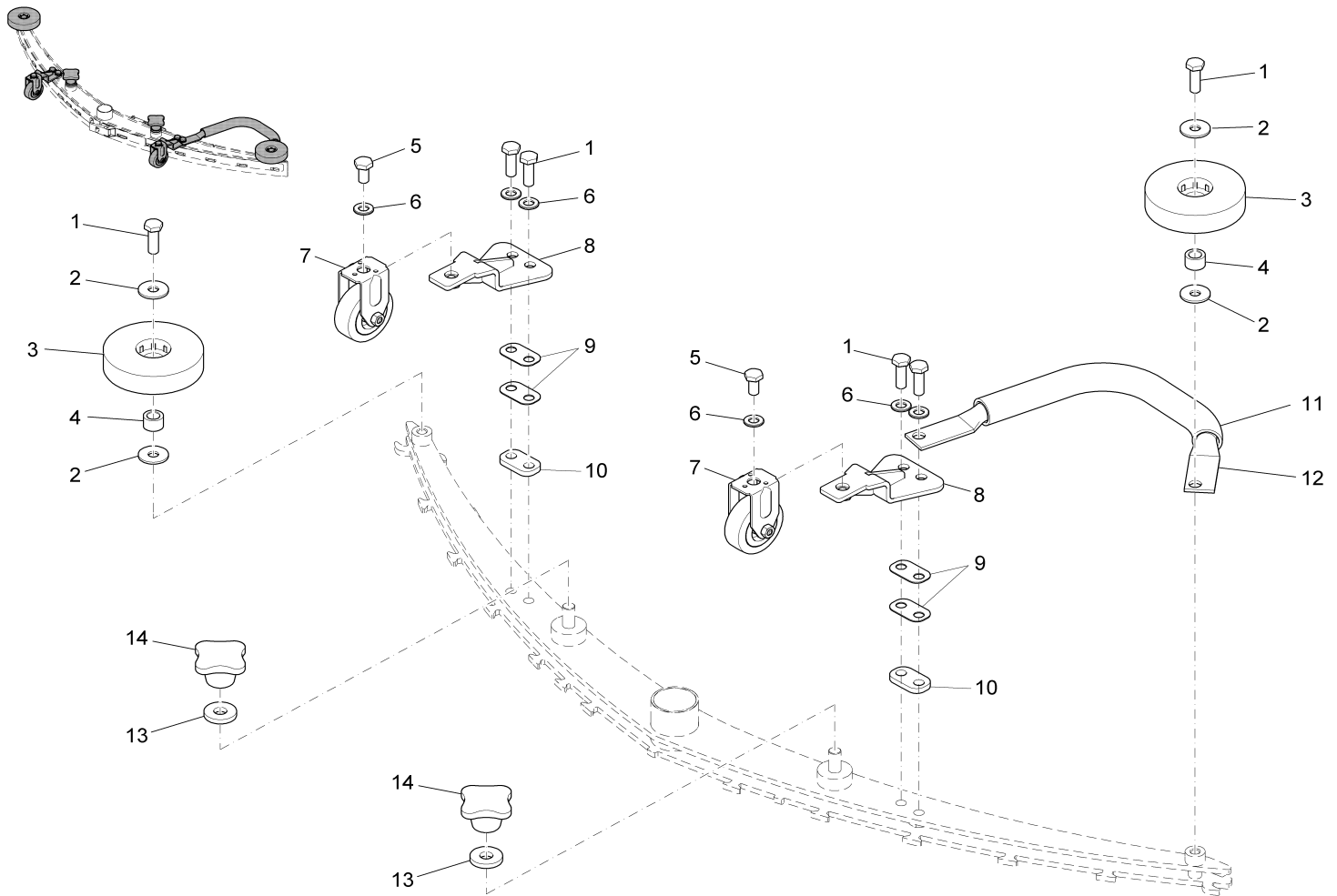
Squeegee Assembly I



Bill of Material - 99706131BT100

Item	Spare part number	Mat. No.	Qty.	Description
1	01077660	96113410	1	Rear tension band
2	01077480	90494139	1	Sealing strip
3	01077940	96113279	1	Suction unit
4	01077470	90493560	1	Slot strip
5	01077650	96113402	1	Front tension band
6	01077590	90514506	2	Bushing
7	01077500	11518313	1	Eye bolt
8	01017660	12040283	2	Hex. Nut
9	01077580	90535758	1	Lever
10	01079890	11039765	2	Hexagon screw
11	00902250	12022430	1	Hex. Nut
12	01078090	90513631	1	Pressure piece
13	01077640	96113303	1	Front tension band
14	01077670	96113428	1	Rear tension band
15	00009010	97057459	1	Lock suction unit

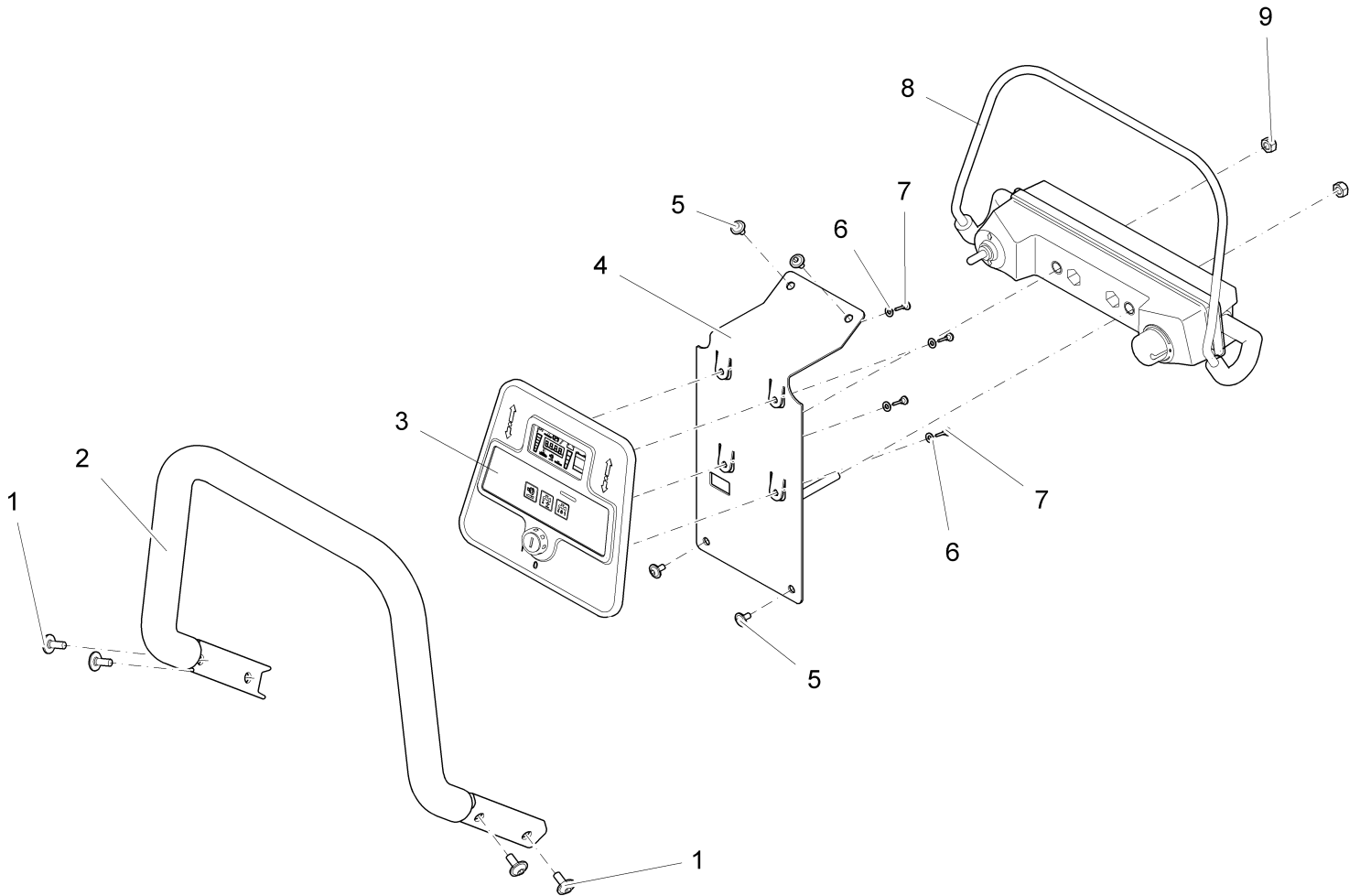
Squeegee Assembly II



Bill of Material - 99706131BT110

Item	Spare part number	Mat. No.	Qty.	Description
1	01059530	11039567	6	Hexagon screw
2	00902280	12332136	4	Washer
3	00924810	90336637	2	Deflector roller
4	00879030	90199019	2	Pipe
5	01071740	11039609	2	Hex.bolt
6	00101550	12310264	6	Washer
7	01077810	90513094	2	Fixed castor
8	01079070	97098842	2	Fixed castor
9	01077610	90514993	4	Distance piece
10	01077600	90514936	2	Distance piece
11	00911270	25842105	1	Hose
12	01077620	90515461	1	Bracket
13	00972060	12515094	2	Disk wheel
14	00866720	17133026	2	Star handle
15	01079080	90531112	10	Spacer

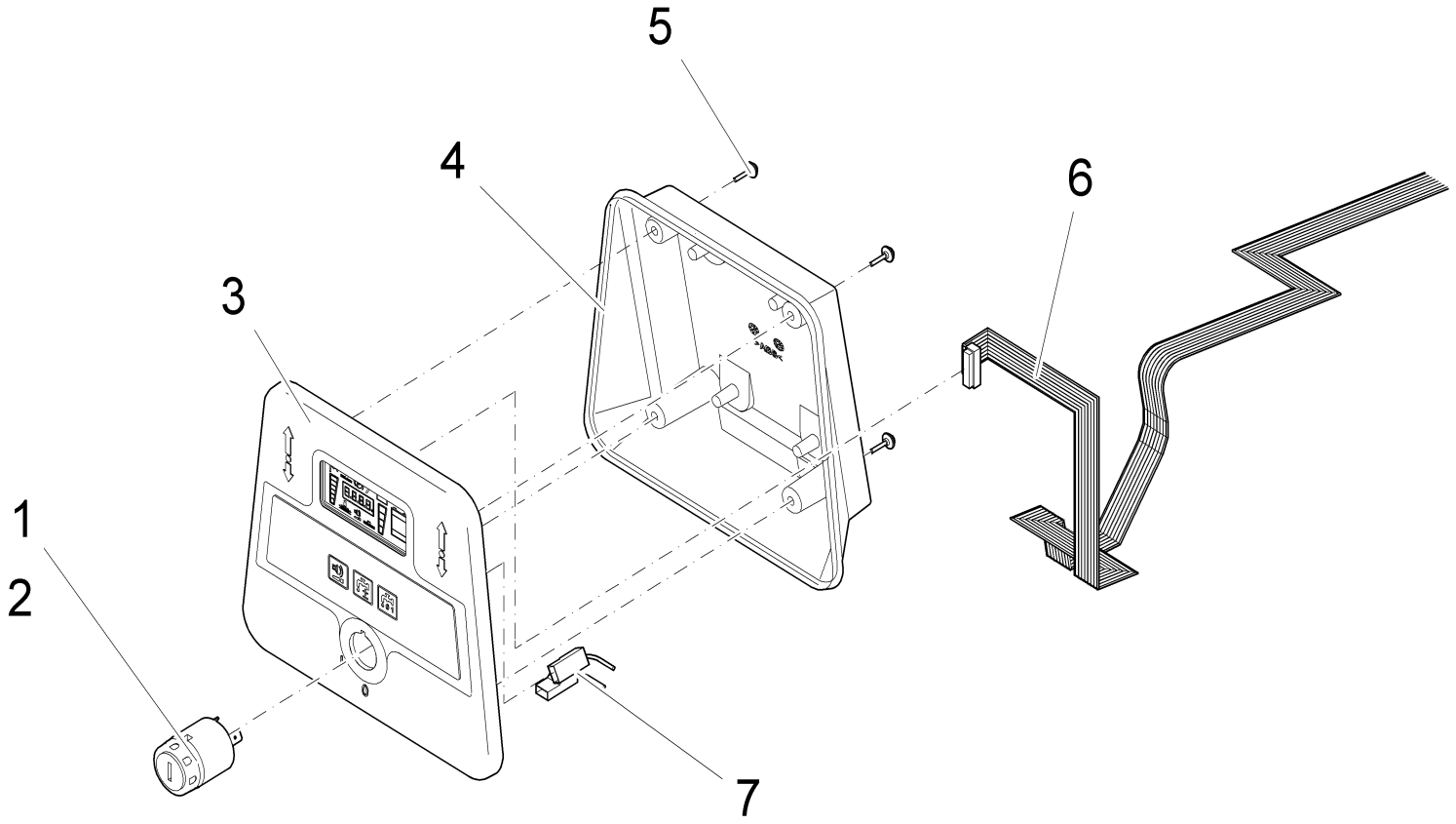
Control Panel Assembly



Bill of Material - 99706131BT120

Item	Spare part number	Mat. No.	Qty.	Description
1	01074320	11177187	4	Lens flange screw
2	01079760	90494501	1	Handle bar
3	99706131BT120.1		1	Console, DO NOT ORDER - ITEM HAS SUBMODULES
4	01079770	96117585	1	Sheet metal
5	01072520	11177179	4	Lens flange screw
6	00874720	12310272	4	Washer
7	00961490	11709011	4	Self tapping screw
8	01079950	97096069	1	Bail system
9	00051510	12040051	2	Hexagon nut

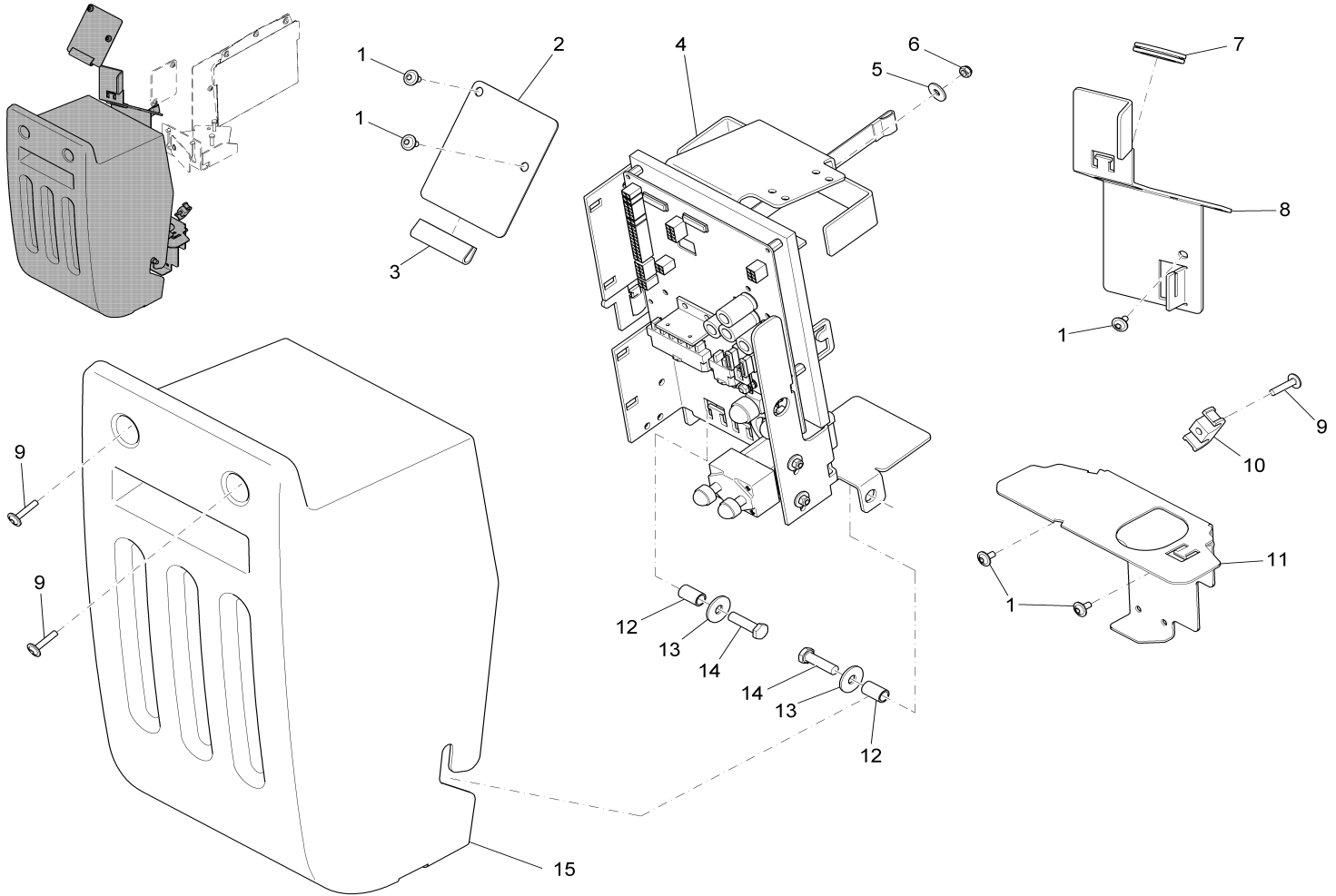
Control Panel Assembly
Console Subassembly



Bill of Material - 99706131BT120-1

Item	Spare part number	Mat. No.	Qty.	Description
1	00021710	90323437	1	Key switch
2	00745890	00745890	1	Set (2pc.) key
3	Not Available	96113477	1	Panel, complete
4	Not Available	90499492	1	Console
5	01078860	11702123	4	Screw
6	01078930	90511130	1	Ribbon cable
7	01078950	90518150	1	Cable key switch

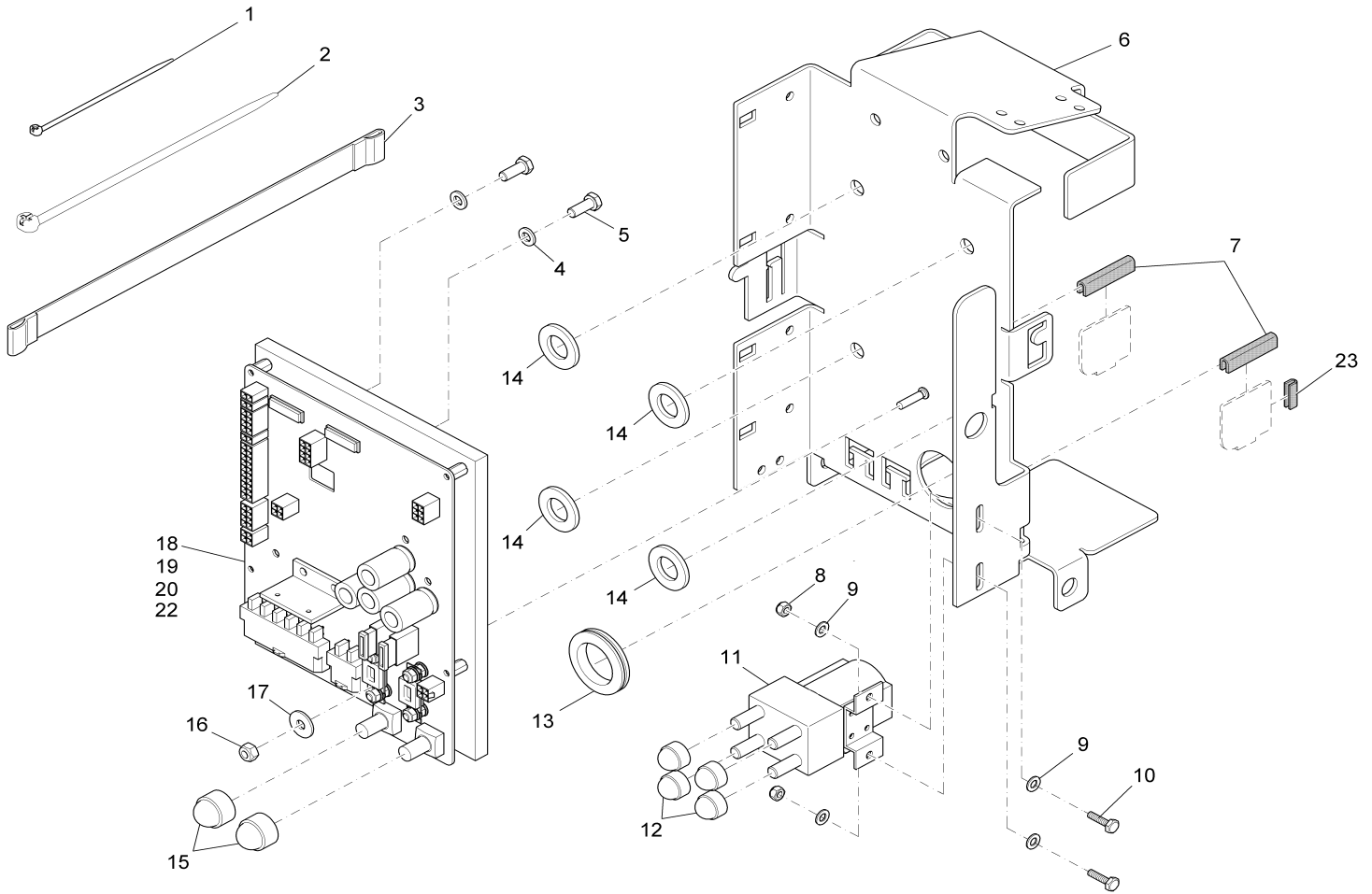
Electrical Assembly I



Bill of Material - 99706131BT130

Item	Spare part number	Mat. No.	Qty.	Description
1	01072520	11177179	5	Lens flange screw
2	01078570	90509803	1	Sheet metal
3	00161240	25582024	1	Edge protection
4	99706131BT130-1		1	Retainer cpl., DO NOT ORDER - ITEM HAS SUBMODULES
5	00153200	12347027	1	Washer
6	00051520	12040044	1	Hexagon nut
7	Not Available		1	Sheet metal
8	01078580	90511338	1	Sheet metal
9	01082530	11177161	3	Lens flange screw
10	01073420	17521048	1	Clamp
11	Not Available	90529165	1	Clamping plate
12	01078260	90499377	2	Bushing
13	00042900	12332029	2	Washer
14	00053110	11038254	2	Hexagon screw
15	01078270	96114996	1	Covering

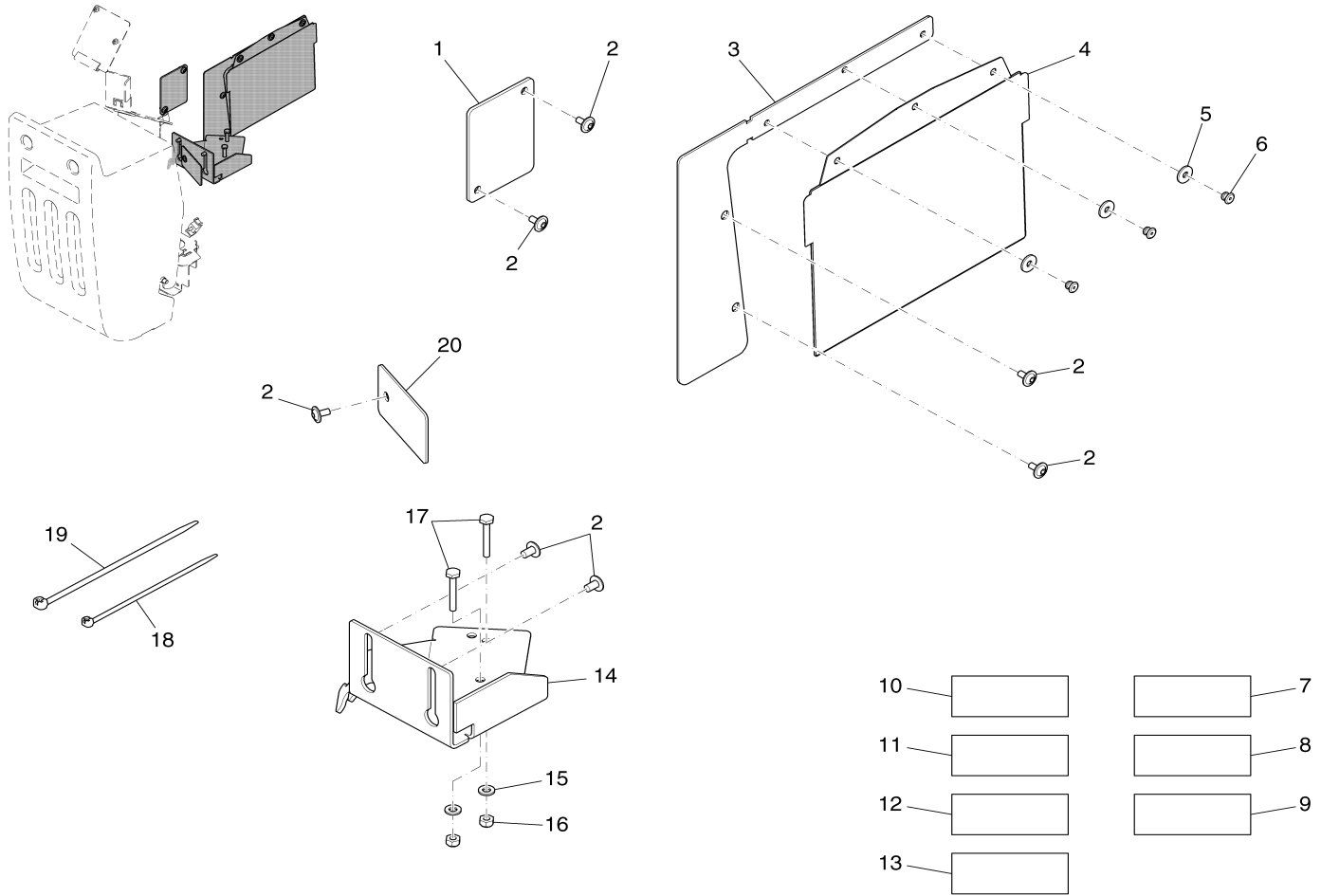
Electrical Assembly I
Retainer Subassembly



Bill of Material - 99706131BT130-1

Item	Spare part number	Mat. No.	Qty.	Description
1	00967760	90156688	4	Cable tie
2	00121150	90114810	8	Cable tie
3	01077880	90517699	1	Webbing
4	00053730	12310033	2	Washer
5	00053010	11038072	2	Hex.bolt
6	01078640	96117668	1	Retainer
7	00721090	25583022	120mm	Edge protection
8	00051340	12040036	2	Hexagon nut
9	00053720	12310025	4	Washer
10	00054410	11038049	2	Hex.bolt
11	00707360	90331026	1	Solenoid
12	00131610	15592033	4	Lens cap
13	Not Available	15595259	1	Cable sleeve
14	01078240	90510017	4	Washer
15	00747210	15592041	2	Lens cap
16	00051520	12040044	1	Hexagon nut
17	00135120	12332011	1	Washer
18	01079140	97057384	1	Controller E24/E26 with Package
19	00972420	00972420	0	Strip fuse
20	00902440	00902440	0	Strip fuse
22	00972430	00972430	0	Fuse
23	00721090	25583022	30mm	Edge protection

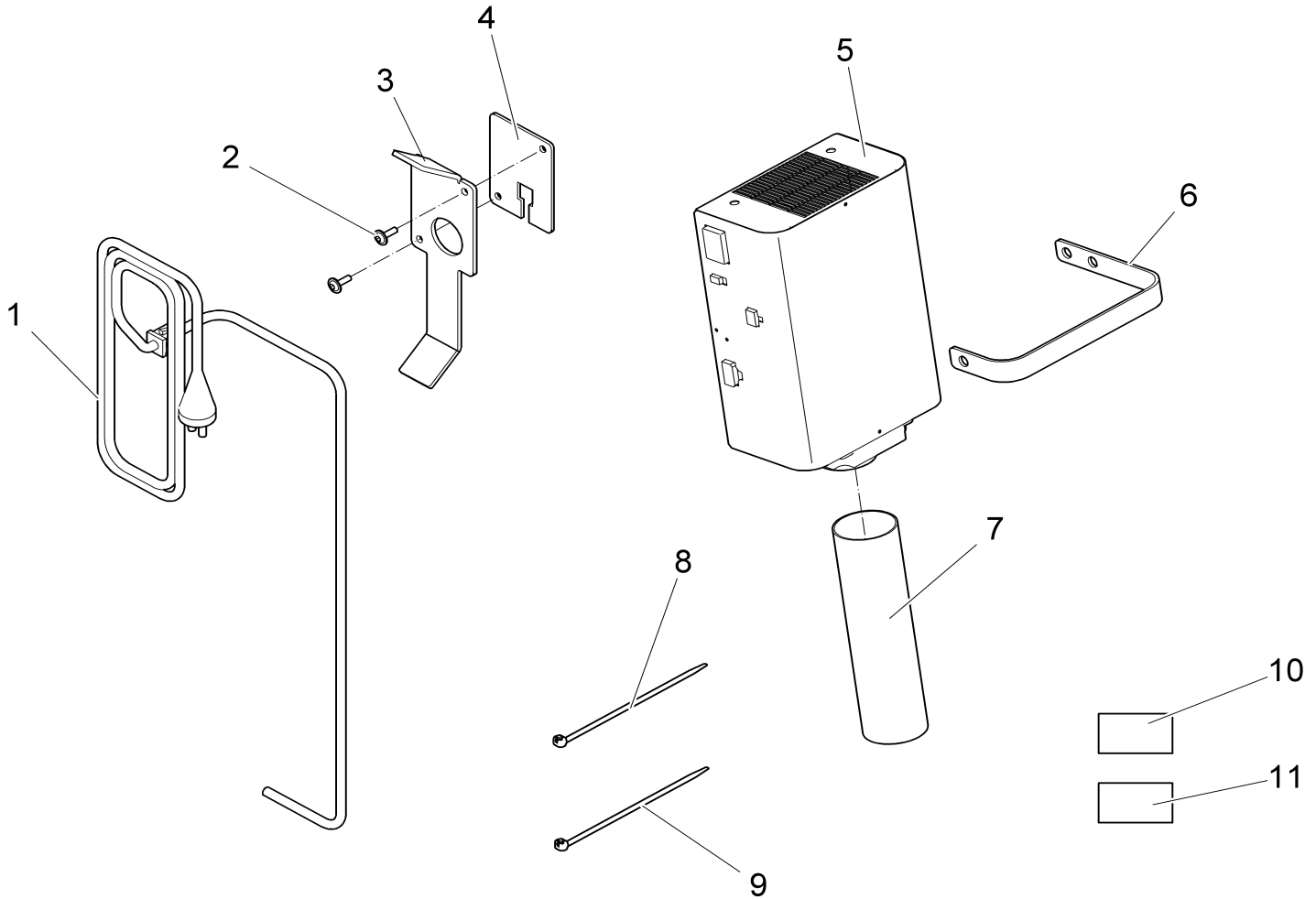
Electrical Assembly II



Bill of Material - 99706131BT140

Item	Spare part number	Mat. No.	Qty.	Description
1	01078600	90518119	1	Covering
2	01072520	11177179	7	Lens flange screw
3	01078610	90511346	1	Sheet metal
4	01078280	90465774	1	Bag
5	00555520	12332052	3	Washer
6	01078290	13165196	3	Blind rivet
7	03006850	97094247	1	Wiring harness W1
8	Not Available	97094254	1	Wiring harness W2
9	Not Available	97099089	1	Wiring harness W3
10	Not Available	97099063	1	Wiring harness W9
11	03006880	97095624	1	Wiring harness W11
12	03006890	97094387	1	Set of cables
13	03006900	97095657	1	Set of cables battery
14	01078620	90512146	1	Sheet metal
15	00053730	12310033	2	Washer
16	00051520	12040044	2	Hexagon nut
17	00053290	11038130	2	Hexagon screw
18	00121150	90114810	12	Cable tie
19	00967760	90156688	18	Cable tie
20	01078630	90511320	1	Sheet metal
21	Not Available	97099048	1	Wiring harness W11

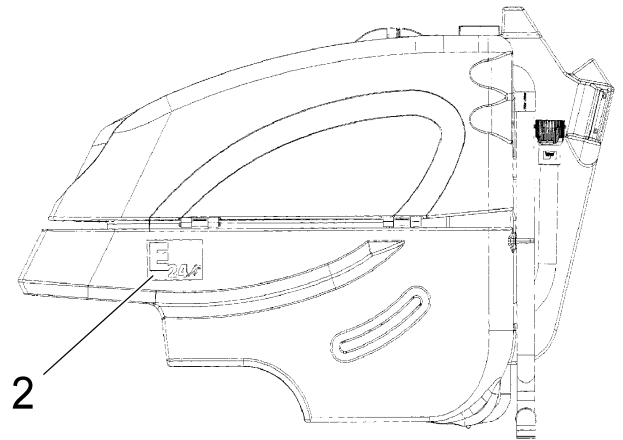
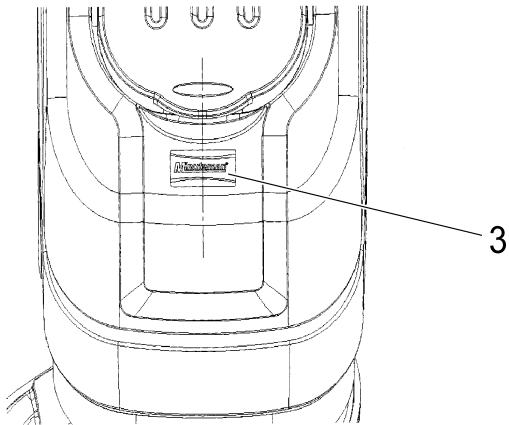
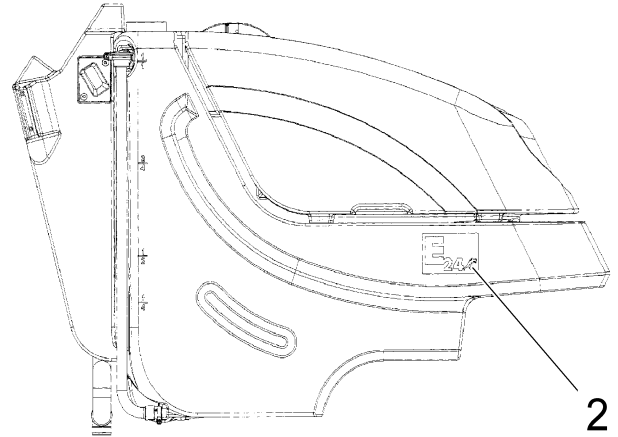
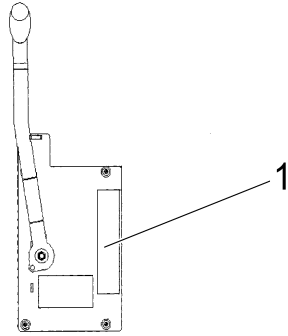
Battery Charger Assembly



Bill of Material - 99706131BT160

Item	Spare part number	Mat. No.	Qty.	Description
1	01079380	90532987	1	Power Cord
2	01017640	11177060	2	Lens flange screw
3	01074240	90463746	1	Cap
4	01079360	90533266	1	Cover
5	01079370	96117197	1	Battery Charger
6	01077870	90517665	1	Tension band
7	01078320	90512575	3	Hose
8	00121150	90114810	8	Cable tie
9	00967760	90156688	1	Cable tie
10	03006770	97094304	1	Wire harness W6
11	03006840	97094346	1	Wiring harness W8

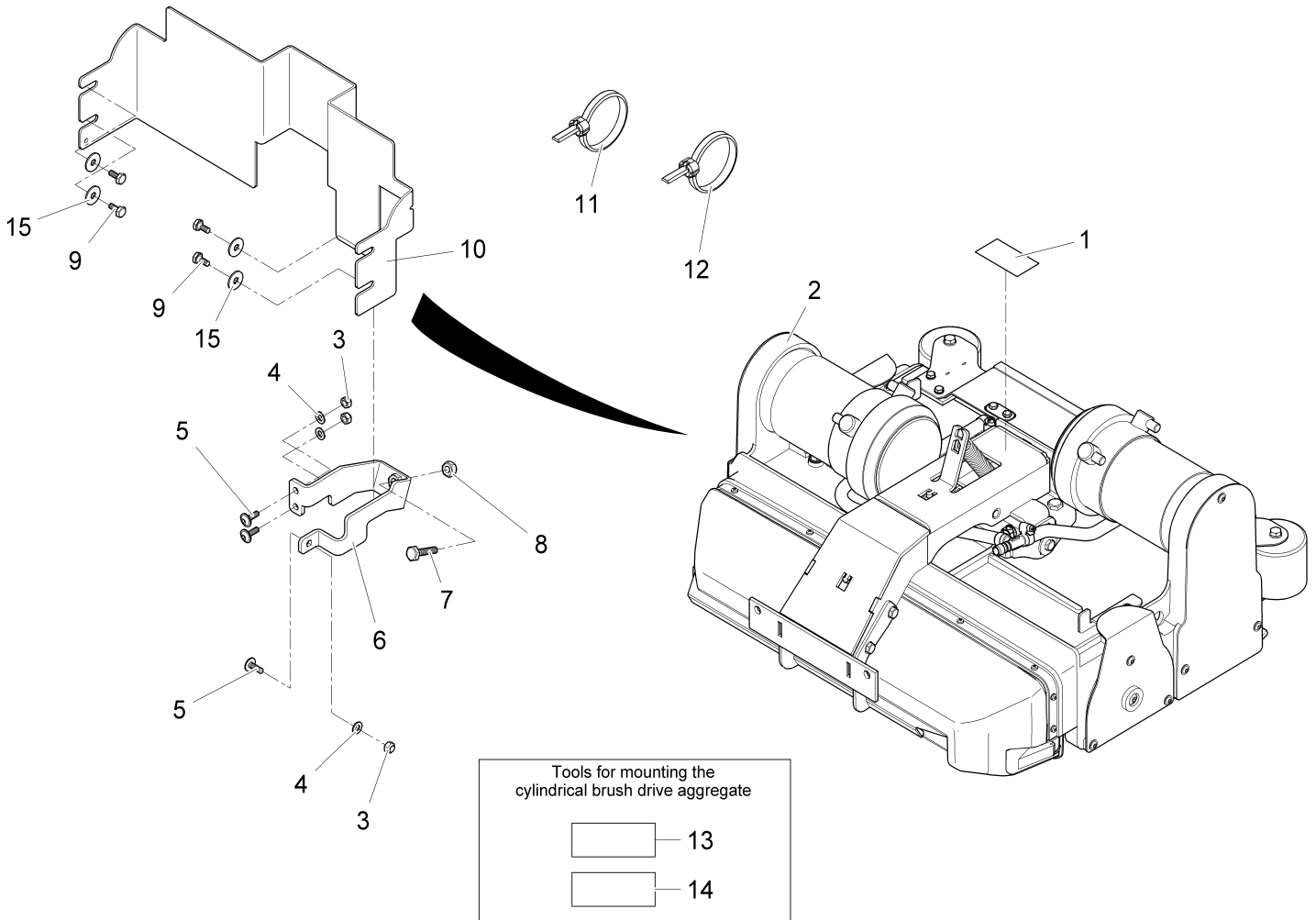
Machine Labels



Bill of Material - 99706131BT170

Item	Spare part number	Mat. No.	Qty.	Description
1	01077440	17267212	1	Decal DETAILS
2	Not Available	17205113	2	Decal E24
3	Not Available	17201145	1	Decal Minuteman

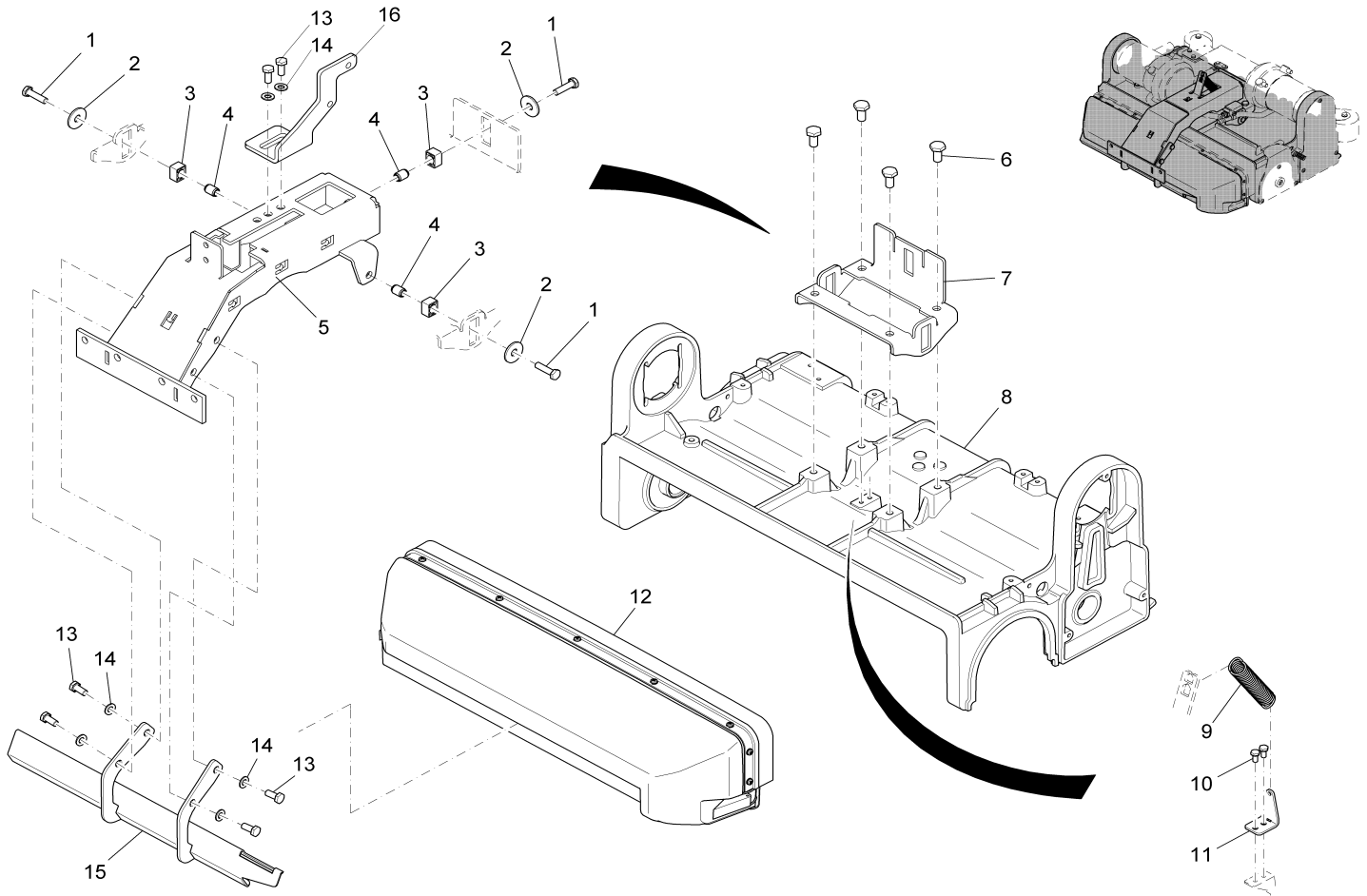
Cylindrical Scrub Deck Assembly



Bill of Material - 99706131BT180

Item	Spare part number	Mat. No.	Qty.	Description
1	01073530	17220013	1	Transparency
2	99706131BT180-1		1	Cyl. brush drive head, DO NOT ORDER - ITEM HAS SUBMODULES
3	00051510	12040051	2	Hexagon nut
4	00053750	12310041	3	Washer
5	01000670	11177136	3	Lens flange screw
6	Not Available	96115324	1	Support
7	00053170	11038395	1	Hexagon screw
8	00051500	12040069	1	Hexagon nut
9	00053080	11038197	4	Hexagon screw
10	Not Available	90532870	1	Sheet metal
11	00121150	90114810	6	Cable tie
12	00967760	90156688	2	Cable tie
13	03006790	97057053	1	Reset of last error
14	01073030	97055966	1	Conversion kit cylindrical bru
15	00042900	12332029	4	Washer

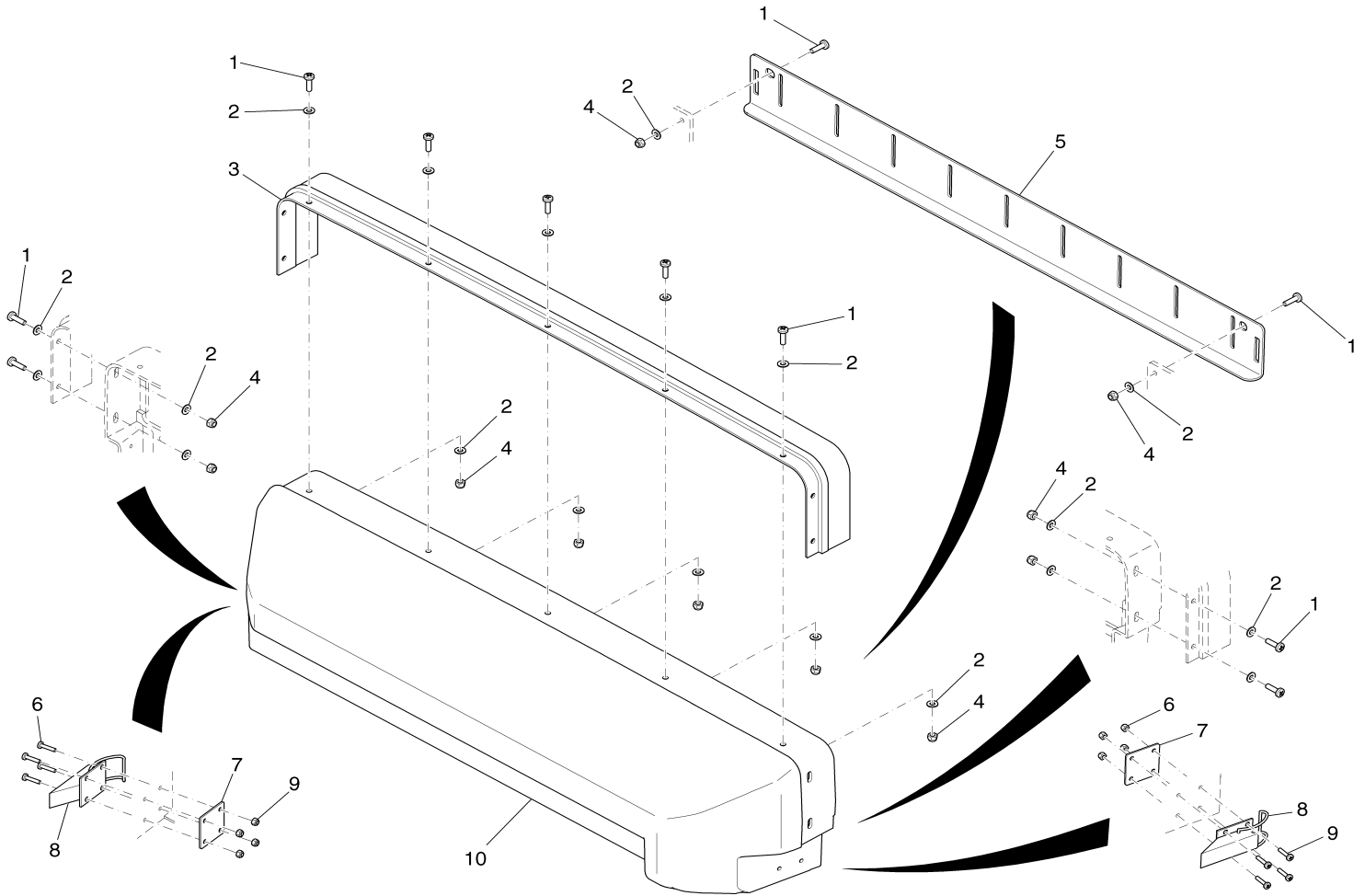
Cylindrical Scrub Deck Assembly I
Cylindrical Brush Drive Head Subassembly



Bill of Material - 99706131BT180-2

Item	Spare part number	Mat. No.	Qty.	Description
1	01078690	11038924	3	Hexagon screw
2	01161070	12332152	3	Washer
3	01078700	90492851	3	Slide block
4	01077730	90492869	3	Bushing
5	Not Available	96112453	1	Rocker
6	01078720	11039542	4	Hexagon screw
7	Not Available	90532649	1	Retainer
8	01078740	90475740	1	Housing
9	01072680	90441577	1	Tension spring
10	01071750	11038742	2	Hexagon screw
11	01077890	90519091	1	Angle
12	99706131BT180-2a		1	Dirt hopper cpl., DO NOT ORDER - ITEM HAS SUBMODULES
13	00553690	11038635	6	Hex.screw
14	00053750	12310041	6	Washer
15	01078750	96112297	1	Guide bar
16	Not Available	90529595	1	Spring holder

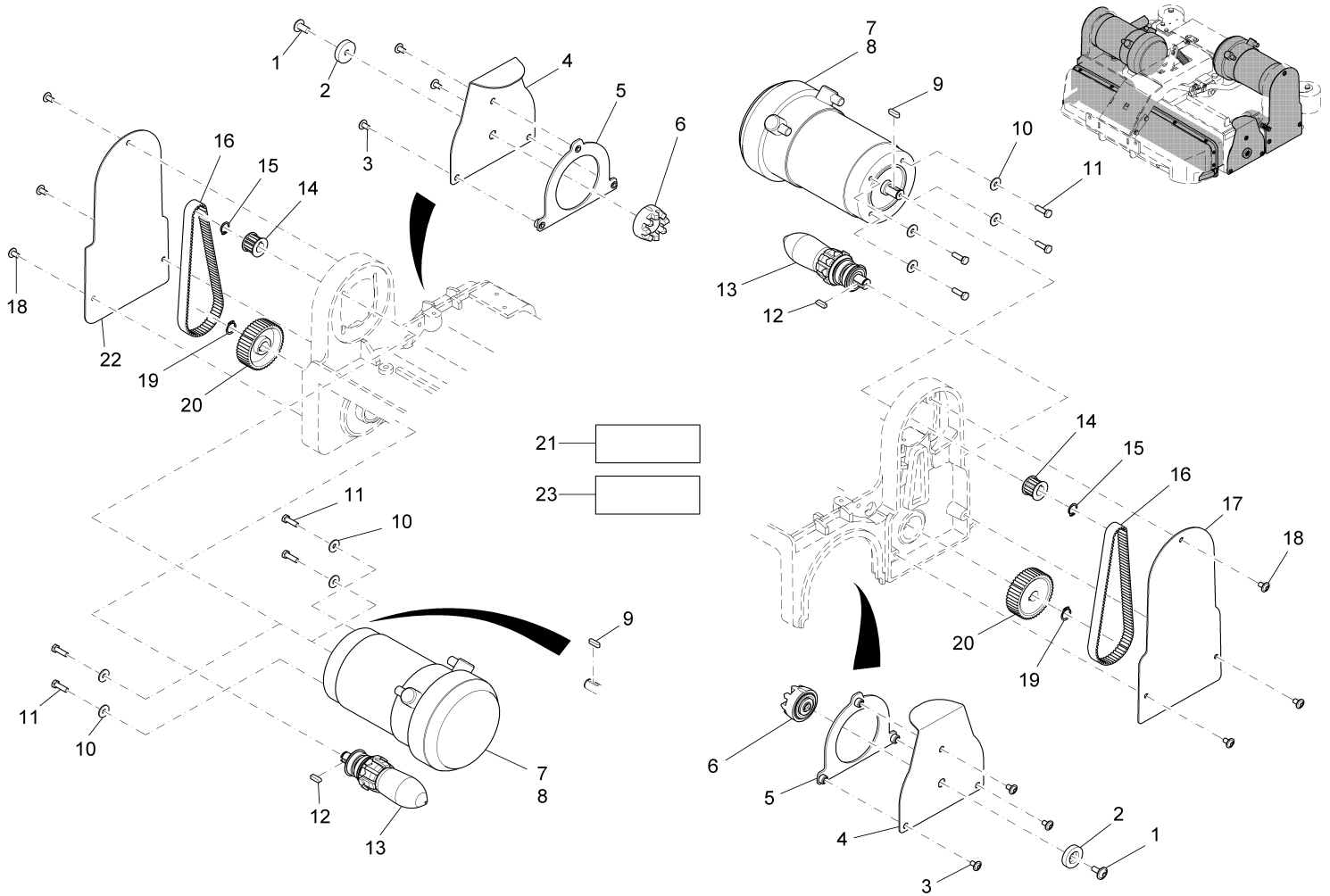
Cylindrical Brush Drive Head Assembly
Dirt Hopper Subassembly



Bill of Material - 99706131BT180-2a

Item	Spare part number	Mat. No.	Qty.	Description
1	01072260	11175445	11	Fillister-head screw
2	00874720	12310272	20	Washer
3	01077690	90472374	1	Broom rail
4	00970190	12040234	11	Hexagon nut
5	01078830	90472366	1	Sheet metal apron
6	01072270	12040374	8	Hex. Nut
7	01076250	90435884	2	Plate
8	01072220	17383191	2	Lock
9	01072230	11175452	8	Fillister-head screw
10	01078840	96105275	1	Dirt container

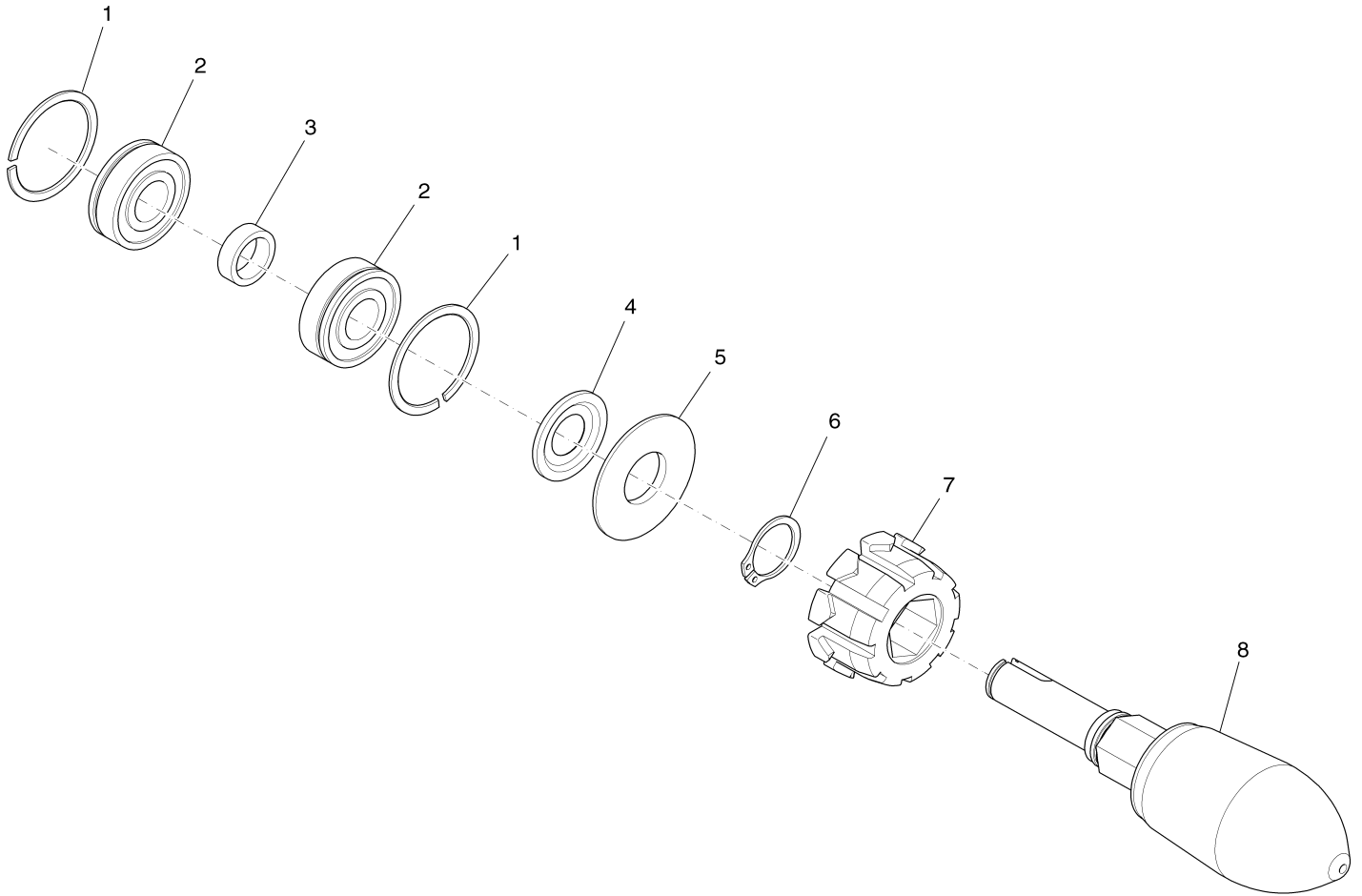
Cylindrical Brush Drive Head Assembly II



Bill of Material - 99706131BT180-3

Item	Spare part number	Mat. No.	Qty.	Description
1	01074320	11177187	2	Lens flange screw
2	01074330	90464058	2	Washer
3	01072520	11177179	6	Lens flange screw
4	01078760	90454117	2	Side cover
5	01078770	96098264	2	Centering bend
6	01074340	96101985	2	Bearing
7	01077190	90472390	2	Motor
8	00553060	00553060	4	Set (4pc.) carbon brush
9	00022430	13540208	2	Feather key
10	00135120	12332011	8	Washer
11	00053020	11038098	8	Hexagon screw
12	01072580	13540549	2	Feather key
13	01072560	97080014	2	Carrier, cpl.
14	01072460	90409210	2	Toothed belt pulley
15	00022440	12610234	2	Retaining ring
16	01072540	16423055	2	Toothed belt
17	01078780	90463332	1	Sheet metal R.H.
18	01072520	11177179	6	Lens flange screw
19	00022340	12610069	2	Retaining ring
20	01072570	90409244	2	Toothed belt pulley
21	Not Available	97098503	1	Wire harness W13
22	01078790	90463340	1	Sheet metal L.H.
23	Not Available	97097786	1	Wire harness W14

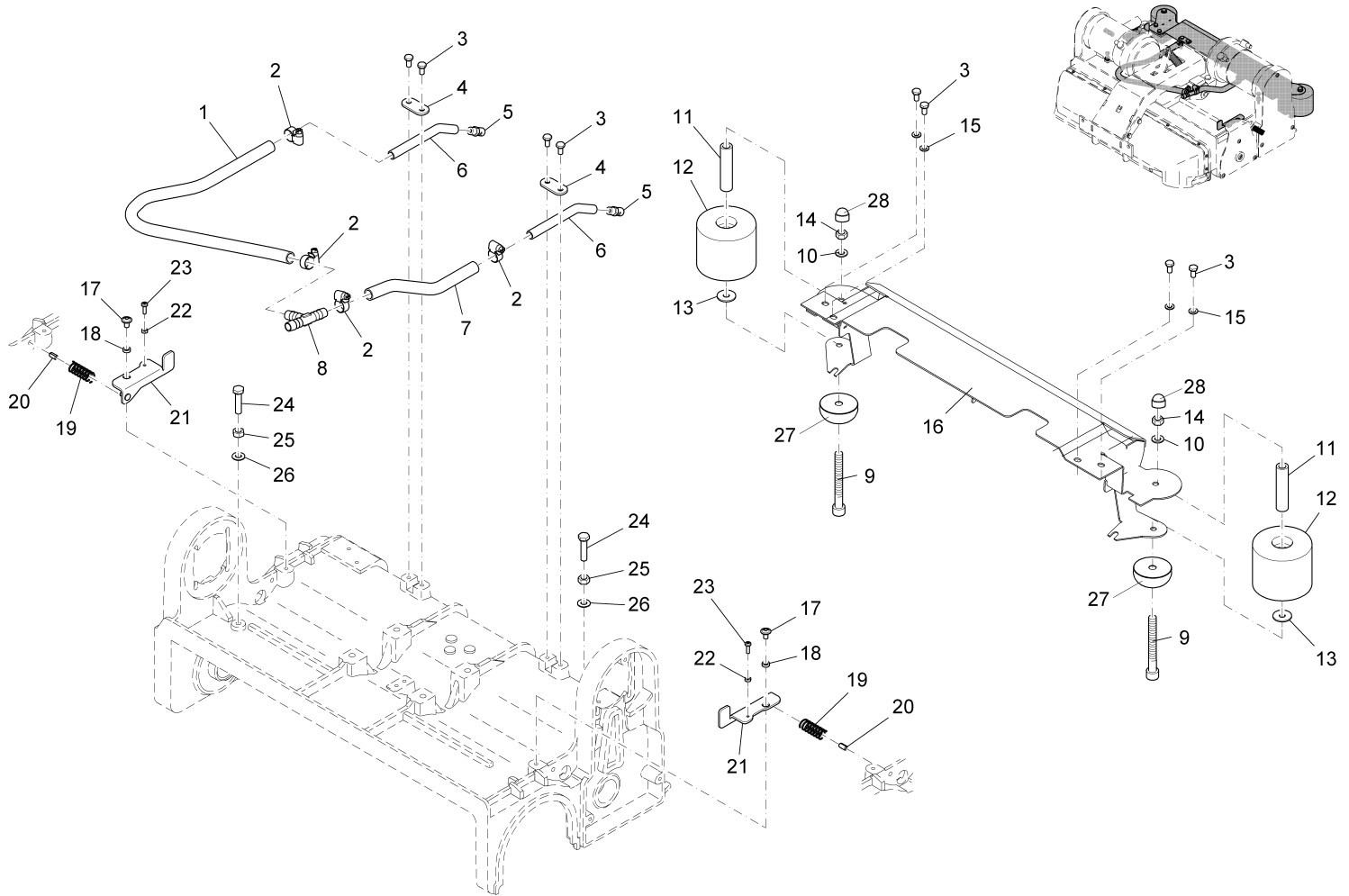
Cylindrical Brush Drive Head Assembly II
Carrier Subassembly



Bill of Material - 01072560

Item	Spare part number	Mat. No.	Qty.	Description
1	01078820	12561031	2	Circlip
2	01076560	14110853	2	Grooved ball bearing
3	01077520	90409665	1	Bushing
4	00124220	14678064	1	Ring
5	01077550	90436817	1	Bushing
6	00054310	12610093	1	Retaining ring
7	01077540	90423666	1	Bushing
8	01077530	90416777	1	Retainer

Cylindrical Brush Drive Head Assembly III



Bill of Material - 99706131BT180-4

Item	Spare part number	Mat. No.	Qty.	Description
1	00171030	25842097	1	Hose
2	00074300	17533100	4	Hose clamp
3	01071750	11038742	8	Hexagon screw
4	01072500	90430885	2	Clamping sheet metal
5	01072640	90429952	2	Jet
6	01072630	90440884	2	Pipe
7	00171030	25842097	1	Hose
8	00976160	90310681	1	T-piece
9	Not Available	11126505	2	Hex.bolt
10	00053750	12310041	4	Washer
11	01078800	90519828	2	Pipe
12	00976590	90315334	2	Roller
13	00042900	12332029	2	Washer
14	00051510	12040051	2	Hexagon nut
15	00102150	12310256	4	Washer
16	Not Available	96117221	1	Cross beam
17	01072520	11177179	2	Lens flange screw
18	01073360	90437450	2	Bushing
19	00550870	90232372	2	Pressure spring
20	00107140	13050299	2	Dowel pin
21	01072620	96098611	2	Lever, cpl.
22	01072510	12022570	2	Hex. Nut
23	01072260	11175445	2	Fillister-head screw
24	00523810	11039500	2	Hex.bolt
25	00971400	12022455	2	Hexagon nut
26	00101550	12310264	2	Washer
27	Not Available	90533696	2	Stopper
28	00131610	15592033	2	Protection cap

Minuteman International Made Simple Commercial Limited Warranty

Minuteman International, Inc. warrants to the original purchaser/user that the product is free from defects in workmanship and materials under normal use. Minuteman will, at its option, repair or replace without charge, parts that fail under normal use and service when operated and maintained in accordance with the applicable operation and instruction manuals. All warranty claims must be submitted through and approved by factory authorized repair stations.

This warranty does not apply to normal wear, or to items whose life is dependent on their use and care, such as belts, cords, switches, hoses, rubber parts, electrical motor components or adjustments. Parts not manufactured by Minuteman are covered by and subject to the warranties and/or guarantees of their manufacturers. Please contact Minuteman for procedures in warranty claims against these manufacturers.

Special warning to purchaser -- Use of replacement filters and/or prefilters not manufactured by Minuteman or its designated licensees, will void all warranties expressed or implied. A potential health hazard exists without original equipment replacement.

All warranted items become the sole property of Minuteman or its original manufacturer, whichever the case may be.

Minuteman disclaims any implied warranty, including the warranty of merchantability and the warranty of fitness for a particular purpose. Minuteman assumes no responsibility for any special, incidental or consequential damages.

This limited warranty is applicable only in the U.S.A. and Canada, and is extended only to the original user/purchaser of this product. Customers outside the U.S.A. and Canada should contact their local distributor for export warranty policies. Minuteman is not responsible for costs or repairs performed by persons other than those specifically authorized by Minuteman. This warranty does not apply to damage from transportation, alterations by unauthorized persons, misuse or abuse of the equipment, use of non-compatible chemicals, or damage to property, or loss of income due to malfunctions of the product.

If a difficulty develops with this machine, you should contact the dealer from whom it was purchased.

This warranty gives you specific legal rights, and you may have other rights which vary from state to state. Some states do not allow the exclusion or limitation of special, incidental or consequential damages, or limitations on how long an implied warranty lasts, so the above exclusions and limitations may not apply to you.

Cord Electric Group..... Three years parts, two years labor, ninety days travel (Not to exceed two hours)
Exceptions..... Port-A-Scrub, one year parts, six months labor
MPV 13, one year parts
MPV 14 and 18, two years parts, one year labor
RapidAir blower, one year parts, one year labor
Explosion-Proof Vacuum, one year parts, one year labor
Pneumatic Vacuums, three years parts, one year labor
EX 12 and EX12H, one year parts, one year labor

Battery Operated Group..... Three years parts, two years labor, ninety days travel
(Not to exceed two hours)
Exceptions..... Sweepers, one year parts, one year labor, ninety days travel
(Not to exceed two hours)

Internal Combustion Group....One year parts, one year labor, ninety day travel
(Not to exceed two hours)

Replacement Parts.....Ninety days
Batteries.....0-3 months replacement, 4-12 months pro-rate
Polypropylene Plastic Tanks...Ten years, no additional labor