

Minuteman[®]



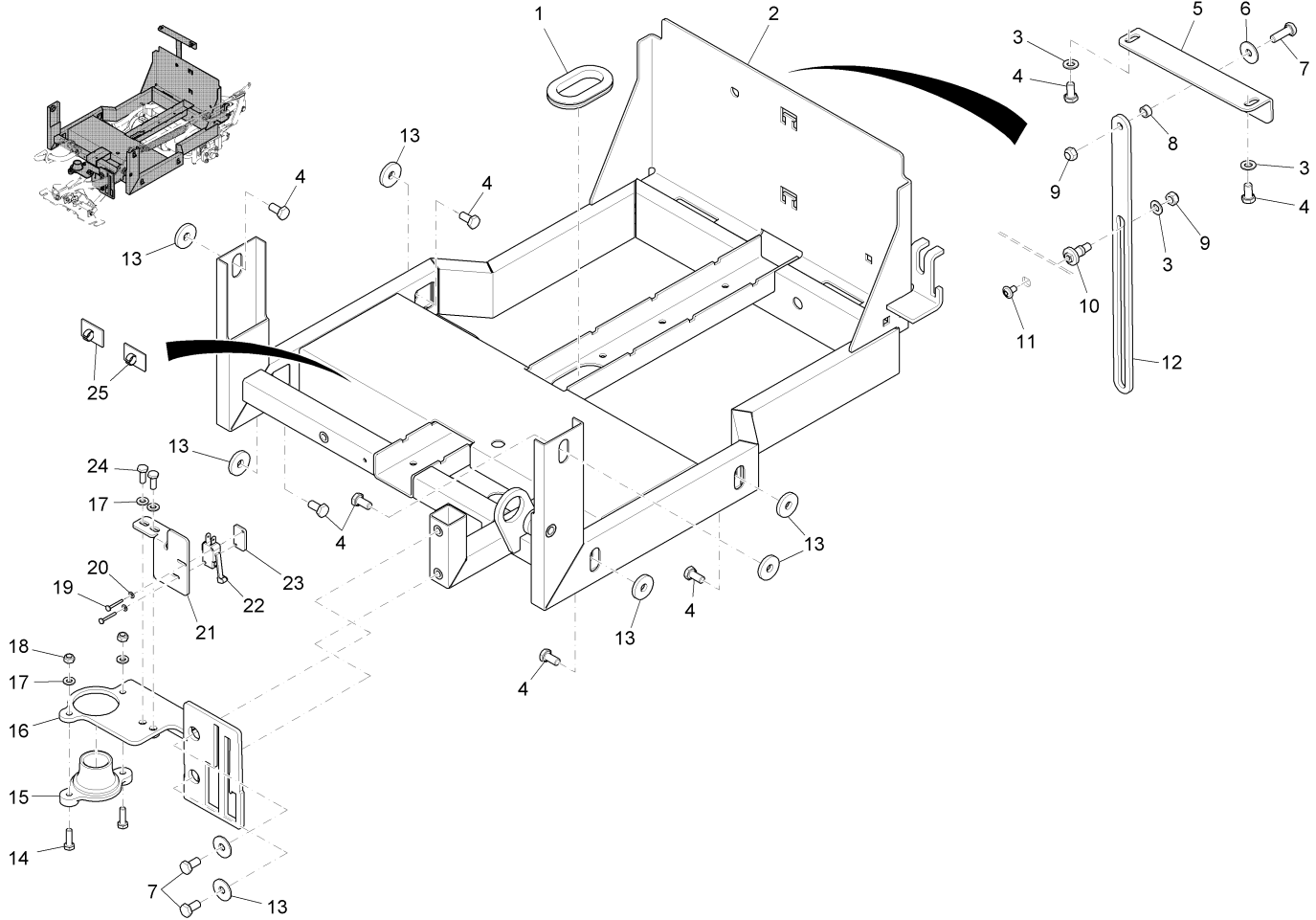
**Parts Manual
E26 Walk-Behind Scrubber**

For Safety When Servicing or Maintaining Machine

- Stop on level surface.
- Disconnect the power to the machine by pulling the red Battery Connector located under the recovery tank near the batteries.
- Avoid moving parts. Do not wear loose jackets, shirts, or sleeves when working on machine.
- Avoid contact with battery acid. Battery acid can cause burns. When working on or around batteries, wear protective clothing and safety glasses. Remove metal jewelry. Do not lay tools or metal objects on top of batteries.
- Do not clean machine with a pressure washer.
- Authorized personnel must perform repairs and maintenance. Use Minuteman supplied replacement parts.

Assembly Group	Description	Page
99706111BT10	Chassis Assembly I	1
99706111BT20	Chassis Assembly II	2
99706111BT30	Chassis Assembly III	3
	Water Feed System Subassembly	4
	Lift Pedal Subassembly	5
	Brush Pressure Adjustment Subassembly	6
	Squeegee Connection Subassembly I	7
	Squeegee Connection Subassembly II	8
99706111BT40	Battery Tray Assembly	9
99706111BT50	Solution Tank Assembly	10
	Recovery Tank Drain Hose Subassembly	11
99706111BT60	Recovery Tank Assembly	12
99706111BT70	Vacuum Motor Assembly	13
99706111BT80	Squeegee Lift Handle Assembly	14
99706111BT100	Squeegee Assembly I	15
99706111BT110	Squeegee Assembly II	16
99706111BT120	Control Panel Assembly	17
	Console Subassembly	18
99706111BT130	Electrical Assembly I	19
	Retainer Subassembly	20
99706111BT140	Electrical Assembly II	21
99706111BT160	Battery Charger Assembly	22
99706111BT170	Deck Cover Assembly	23
99706111BT180	Solution Control Assembly	24
99706111BT190	Machine Labels	25
99706111BT200	Disc Scrub Deck Assembly I	26
99706111BT210	Disc Scrub Deck Assembly II	27

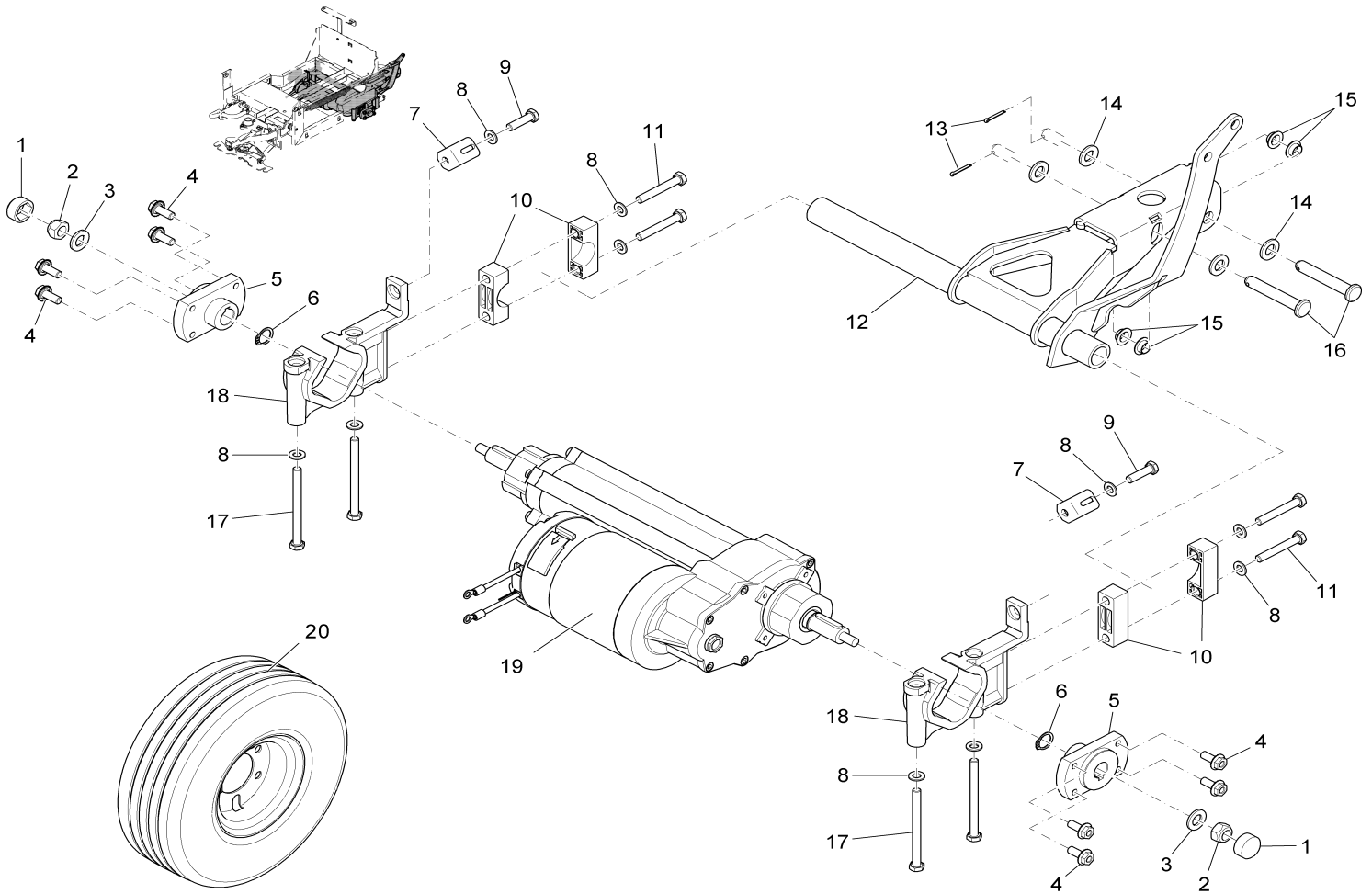
Chassis Assembly I



Bill of Material - 99706111BT10

Item	Spare part number	Mat. No.	Qty.	Description
1	01078440	90513367	1	Grommet
2	03006710	96107958	1	Chassis
3	00053750	12310041	7	Washer
4	00053080	11038197	14	Hexagon screw
5	01077760	90503160	1	Retainer
6	00042900	12332029	3	Washer
7	00053080	11038197	6	Hexagon screw
8	01077700	90473158	1	Bushing
9	00051510	12040051	2	Hexagon nut
10	01077820	90513243	1	Bushing
11	01072520	11177179	1	Lens flange screw
12	01077740	90495268	1	Sheet metal
13	00047990	12515086	10	Disk wheel
14	00053020	11038098	2	Hexagon screw
15	01077780	90508391	1	Bushing
16	01078460	96117387	1	Sheet metal
17	00053730	12310033	4	Washer
18	00051520	12040044	2	Hexagon nut
19	00022180	11039088	2	Hex.bolt
20	00553740	12310132	2	Washer
21	Not Available	90528787	1	Retainer
22	00975510	90306002	1	Micro switch
23	01074840	90471483	1	Thread base plate
24	00053010	11038072	2	Hex.bolt
25	01143190	17526070	2	Cable clip

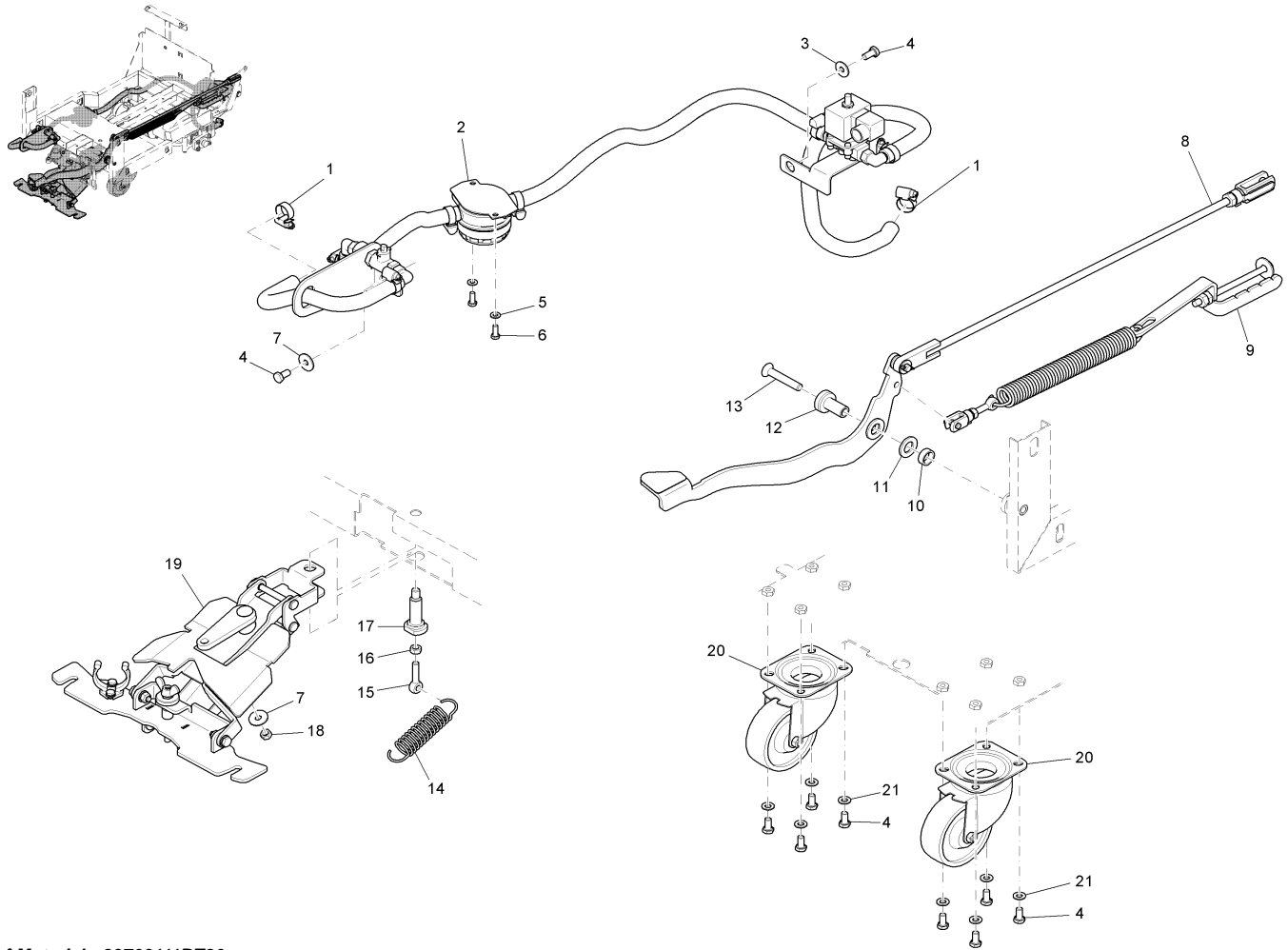
Chassis Assembly II



Bill of Material - 99706111BT20

Item	Spare part number	Mat. No.	Qty.	Description
1	01031540	15592058	2	Protection cap
2	00051490	12040077	2	Hexagon nut
3	00053770	12310066	2	Washer
4	00959310	11717022	8	Hex.bolt
5	01078010	90510116	2	Hub
6	00105350	12610119	2	Retaining ring
7	Not Available	11038247	2	Hex.bolt
8	00053750	12310041	10	Washer
9	00053110	11038254	2	Hexagon screw
10	01078020	90481664	4	Block
11	Not Available	11038296	4	Hex.bolt
12	01078030	96111869	1	Lever
13	00553580	13280136	2	Cotter pin
14	00053770	12310066	4	Washer
15	01077510	14895478	4	Slide bearing bush
16	01078040	13328851	2	Bolt
17	00053140	11032273	4	Hex.bolt
18	01078480	90512062	2	Bearing AMER
19	01079400	90531609	1	Traction drive
20	XXXXXXXX	90523309	2	Wheel

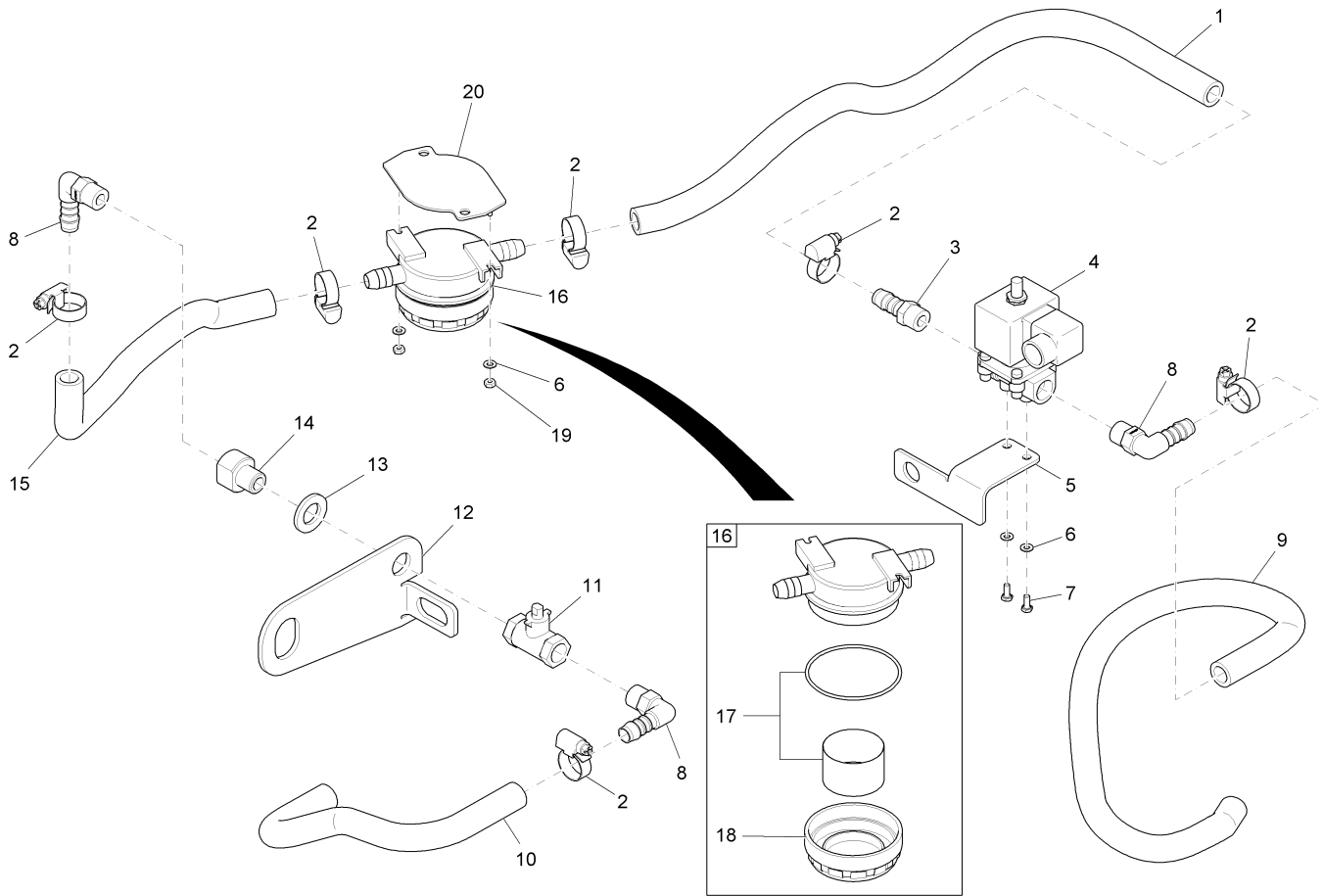
Chassis Assembly III



Bill of Material - 99706111BT30

Item	Spare part number	Mat. No.	Qty.	Description
1	01015350	17533159	2	Hose clamp
2	99706111BT31		1	Water feed system, DO NOT ORDER, ITEM HAS SUBMODULES
3	Not Available	12515086	1	Washer
4	00053080	11038197	2	Hexagon screw
5	00053730	12310033	2	Washer
6	00053010	11038072	2	Hex.bolt
7	00042900	12332029	2	Washer
8	99706111BT32		1	Lifting pedal, DO NOT ORDER, ITEM HAS SUBMODULES
9	99706111BT33		1	Brush pression adjustment, DO NOT ORDER, ITEM HAS SUBMODULES
10	01077790	90509027	1	Pipe
11	00053790	12310082	1	Washer
12	01077800	90509522	1	Bushing
13	01078140	11225620	1	Countersunk screw
14	01078150	90523333	1	Tension spring
15	00735690	11518180	1	Eye bolt
16	00053350	12022059	1	Hexagon nut
17	01077830	90513573	1	Pivot
18	00051510	12040051	1	Hexagon nut
19	99706111BT34		1	Squeegee connection, DO NOT ORDER, ITEM HAS SUBMODULES
20	01077840	90515131	2	Steering roller
21	00053750	12310041	2	Washer

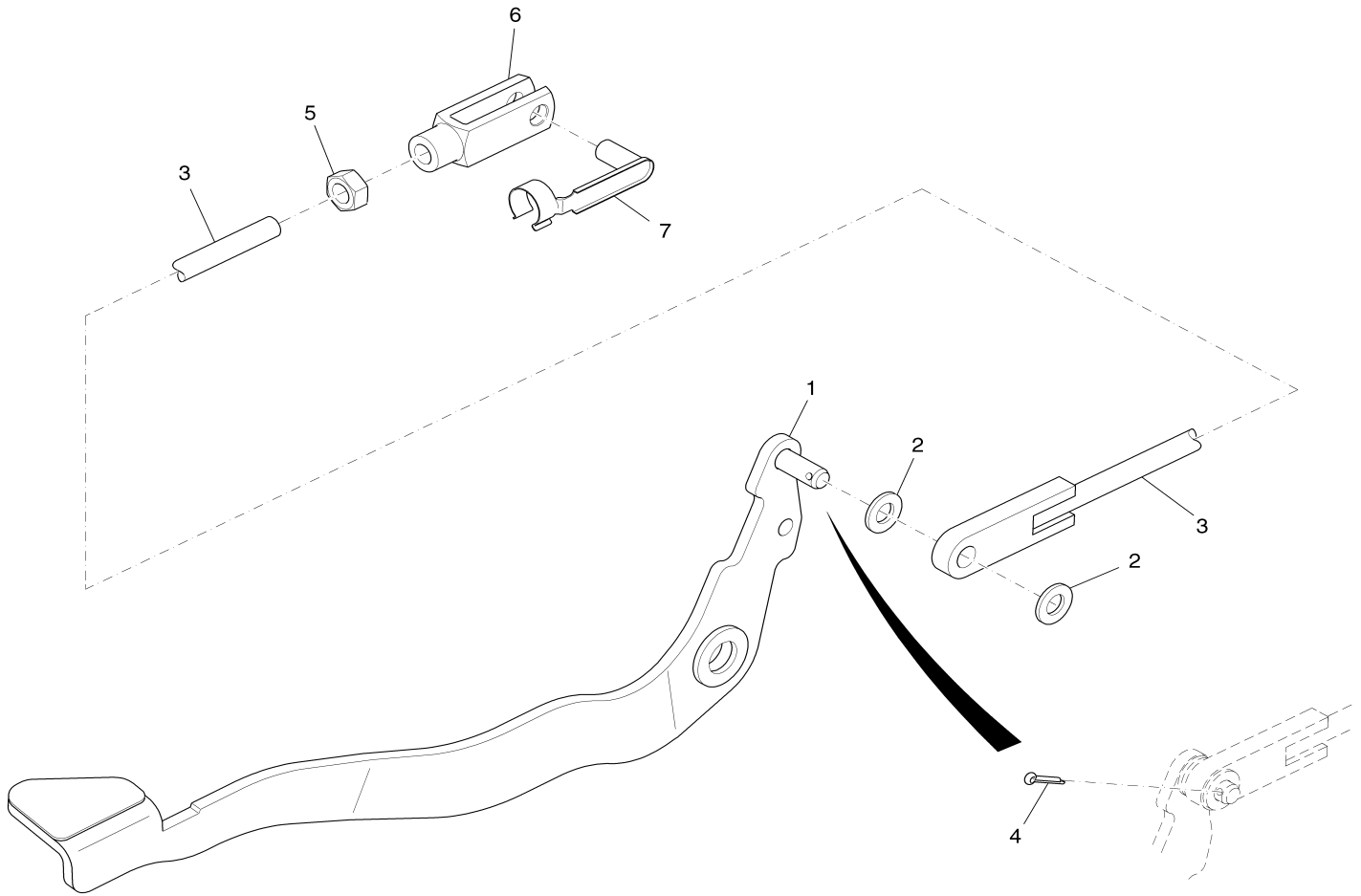
Chassis Assembly III
Water Feed System Subassembly



Bill of Material - 99706111BT31

Item	Spare part number	Mat. No.	Qty.	Description
1	00200170	25842055	560mm	PVC hose
2	01015350	17533159	6	Hose clamp
3	00976140	90310665	1	Screwing in connecting piece
4	01071000	90435595	1	Electrovalve
5	Not Available	90513896	1	Sheet metal
6	00053710	12310017	4	Washer
7	00058580	11038965	2	Hex.bolt
8	00020020	90174970	3	Angle socket
9	00200170	25842055	540mm	PVC hose
10	00200170	25842055	280mm	PVC hose
11	Not Available	90521576	1	Ball valve
12	Not Available	90507344	1	Sheet metal
13	00053790	12310082	1	Washer
14	01077630	90517657	1	Screw
15	00200170	25842055	340mm	PVC hose
16	01077170	90522640	1	Water filter
17	01079170	01079170	1	filter cartridge
18	Not Available	20925000A	1	Filter cover
19	00133830	12040028	2	Hex. Nut
20	01078510	96115035	1	Sheet metal

Chassis Assembly III
Lift Pedal Subassembly

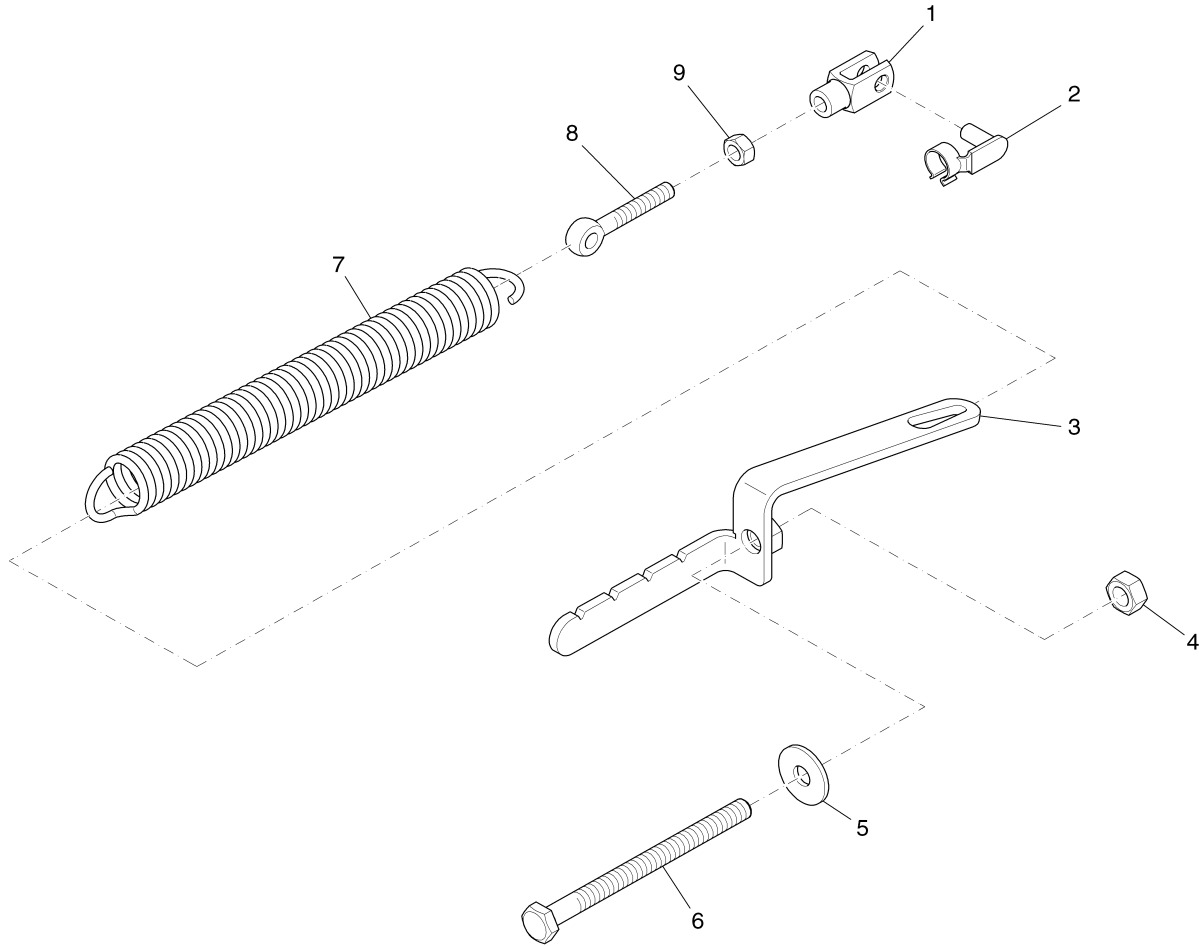


Bill of Material - 99706111BT32

Item	Spare part number	Mat. No.	Qty.	Description
1	Contact Minuteman	96117379	1	Lifting Pedal
2	00053760	12310058	2	Washer
3	01077930	96111877	1	Rod
4	00551410	13280110	1	Cotter pin
5	00053360	12022067	1	Hexagon nut
6	00925430	16055063	1	Fork yoke
7	00925420	13390042	1	Bolt

Chassis Assembly III

Brush Pressure Adjustment Subassembly

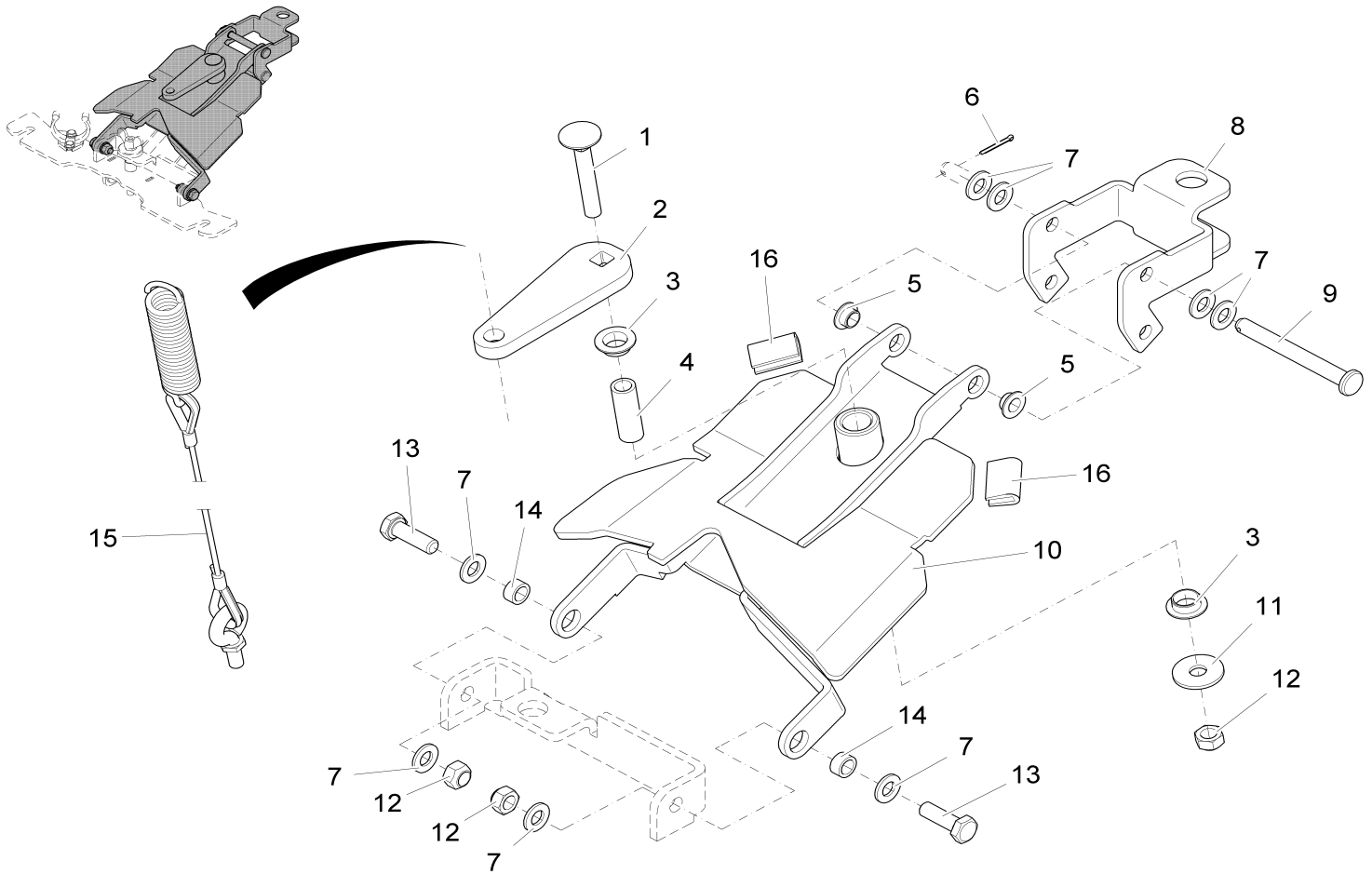


Bill of Material - 99706111BT33

Item	Spare part number	Mat. No.	Qty.	Description
1	00151440	16055089	1	Fork yoke
2	00151400	13390059	1	Bolt
3	01078500	96111505	1	Sheet metal
4	00053360	12022067	1	Hexagon nut
5	Not Available	12332037	1	Washer
6	01031550	11039716	1	Hexagon screw
7	01077770	90504242	1	Tension spring
8	00706170	11518016	1	Eye bolt
9	00053350	12022059	1	Hexagon nut

Chassis Assembly III

Squeegee Connection Subassembly I

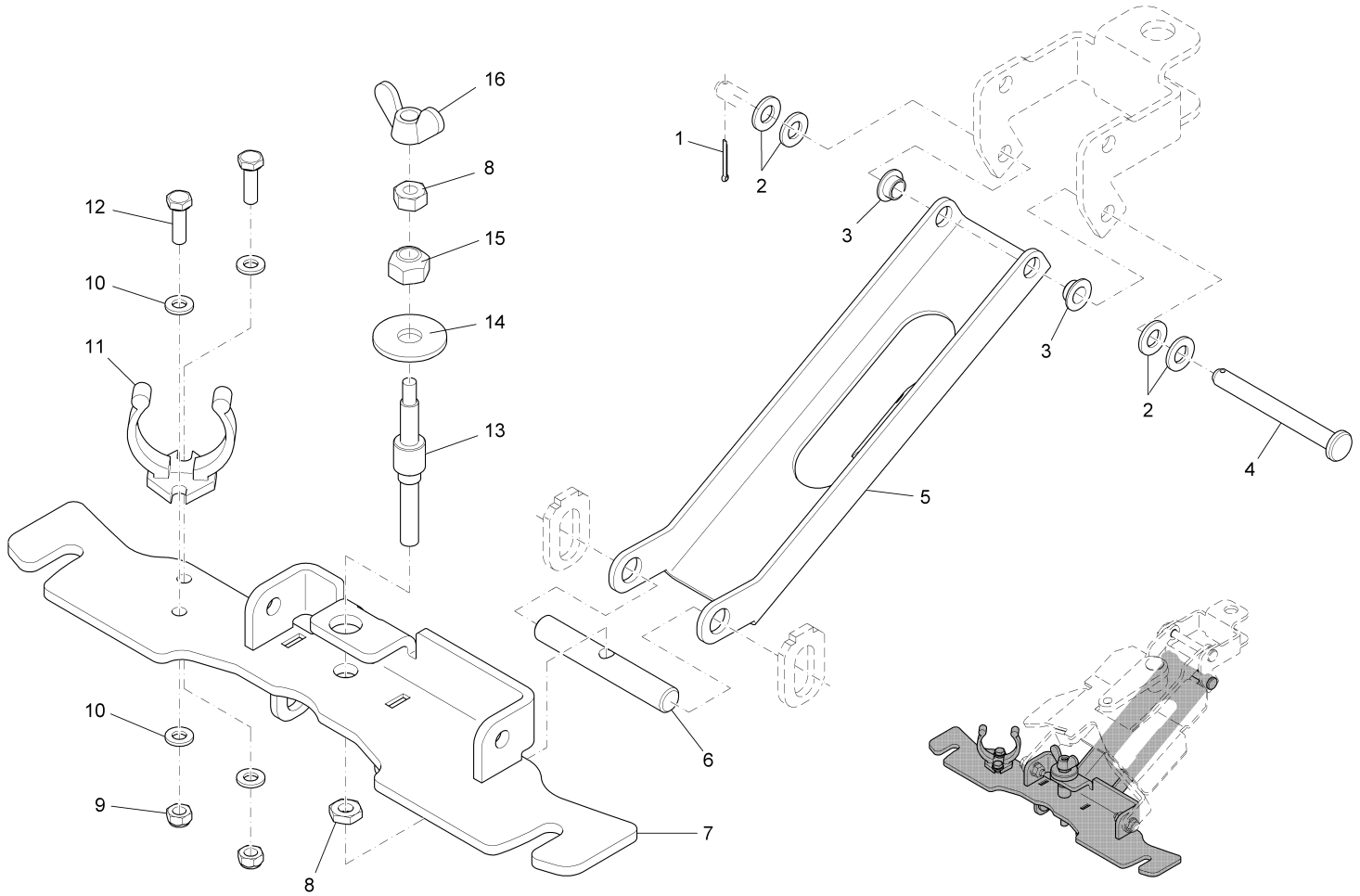


Bill of Material - 99706111BT34-1

Item	Spare part number	Mat. No.	Qty.	Description
1	01130940	11620564	1	Cup head square neck bolt
2	Not Available	90521790	1	Sheet metal
3	01077510	14895478	2	Slide bearing bush
4	Not Available	90204702	1	Pipe
5	01078230	14895460	2	Slide bearing bush
6	00054860	13280078	1	Cotter pin
7	00053750	12310041	5	Washer
8	01079280	90534710	1	Round part
9	Not Available	13328935	1	Bolt
10	01079290	96117569	1	Sheet metal
11	00042900	12332029	1	Washer
12	00051510	12040051	3	Hexagon nut
13	00053100	11038247	2	Hexagon screw
14	01077700	90473158	2	Bushing
15	01077980	96112370	1	Linkage
16	00161240	25582024	1	Edge protection

Chassis Assembly III

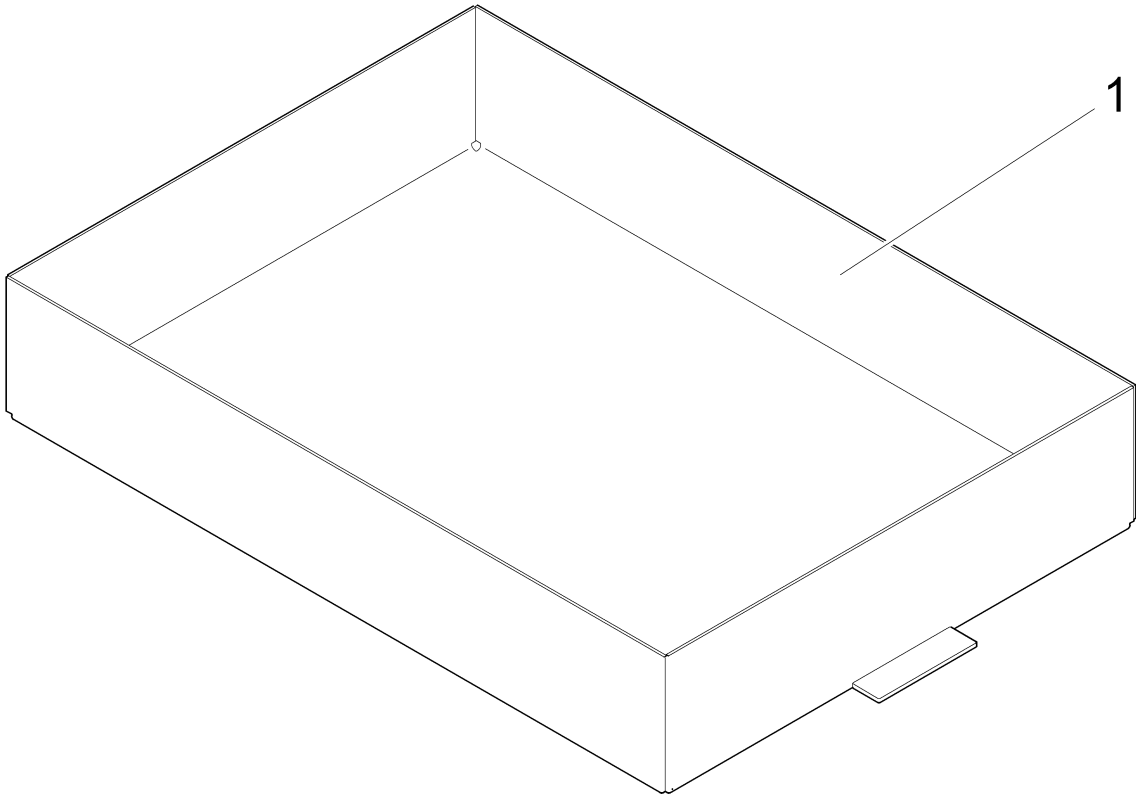
Squeegee Connection Subassembly II



Bill of Material - 99706131BT34-2

Item	Spare part number	Mat. No.	Qty.	Description
1	00054860	13280078	1	Cotter pin
2	00053750	12310041	1	Washer
3	01078230	14895460	2	Slide bearing bush
4	Not Available	13328935	1	Bolt
5	01079320	90495805	1	Draft link
6	01077680	90467686	1	Bolt
7	01079330	96110242	1	Sheet metal
8	00046500	12012019	2	Hex. Nut
9	00051520	12040044	2	Hexagon nut
10	00053730	12310033	4	Washer
11	01078120	90503251	1	Hose support
12	00053020	11038098	2	Hexagon screw
13	01077850	90515149	1	Threaded pin
14	00042900	12332029	1	Washer
15	00051510	12040051	1	Knurled nut
16	00054020	12158028	1	Wing nut
17	00053330	12022042	1	Hex.nut

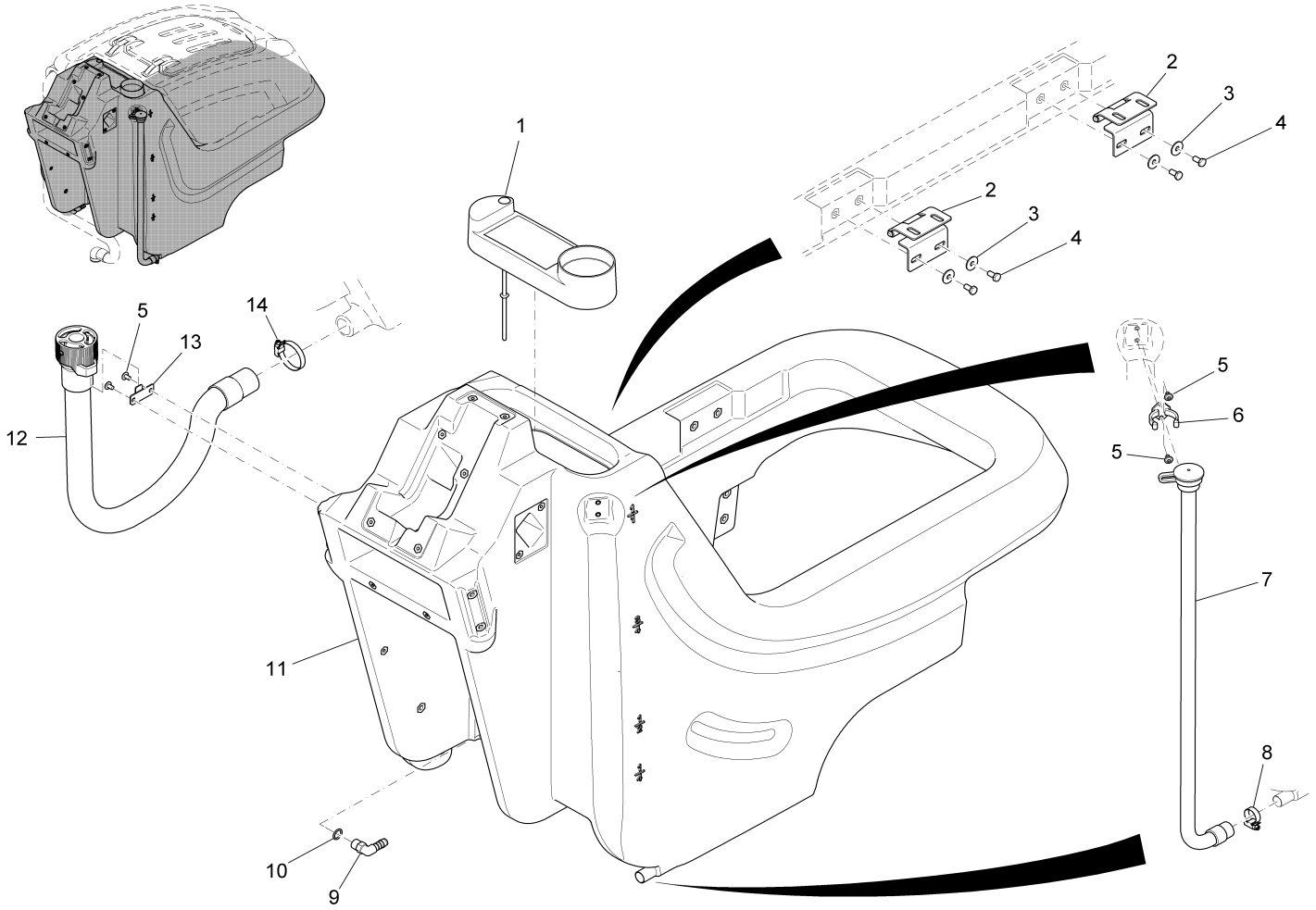
Battery Tray Assembly



Bill of Material - 99706131BT40

Item	Spare part number	Mat. No.	Qty.	Description
1	Not Available	96117643	1	Battery Tray

Solution Tank Assembly

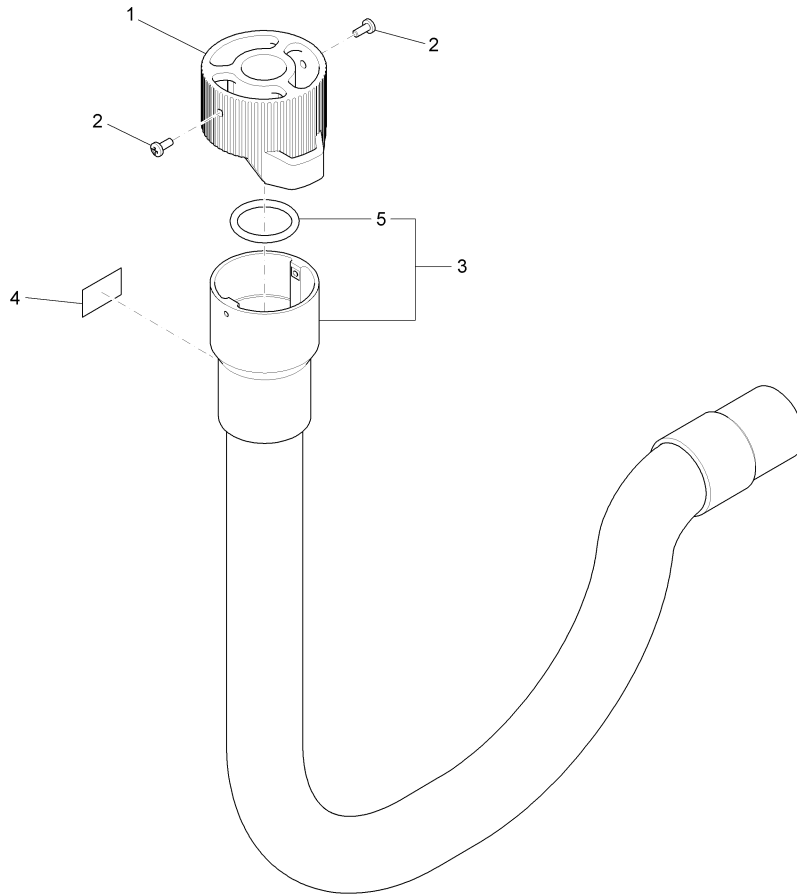


Bill of Material - 99706111BT50

Item	Spare part number	Mat. No.	Qty.	Description
1	01078100	96114061	1	Fresh water cap
2	01078110	90496910	2	Hinge
3	00042900	12332029	4	Washer
4	00053080	11038197	4	Hexagon screw
5	01072520	11177179	4	Lens flange screw
6	01078120	90503251	1	Hose support
7	01077910	96109541	1	Hose
8	01161690	17533290	1	Clamp
9	00020020	90174970	1	Angle socket
10	00057720	15286149	1	O-ring oil resistant
11	01078130	96117734	1	Solution tank
12	99706131BT50-1		1	Foul water hose cpl., DO NOT ORDER - ITEM HAS SUBMODULES
13	01077860	90517574	1	Hook
14	00751160	17533043	1	Hose clamp

Solution Tank Assembly

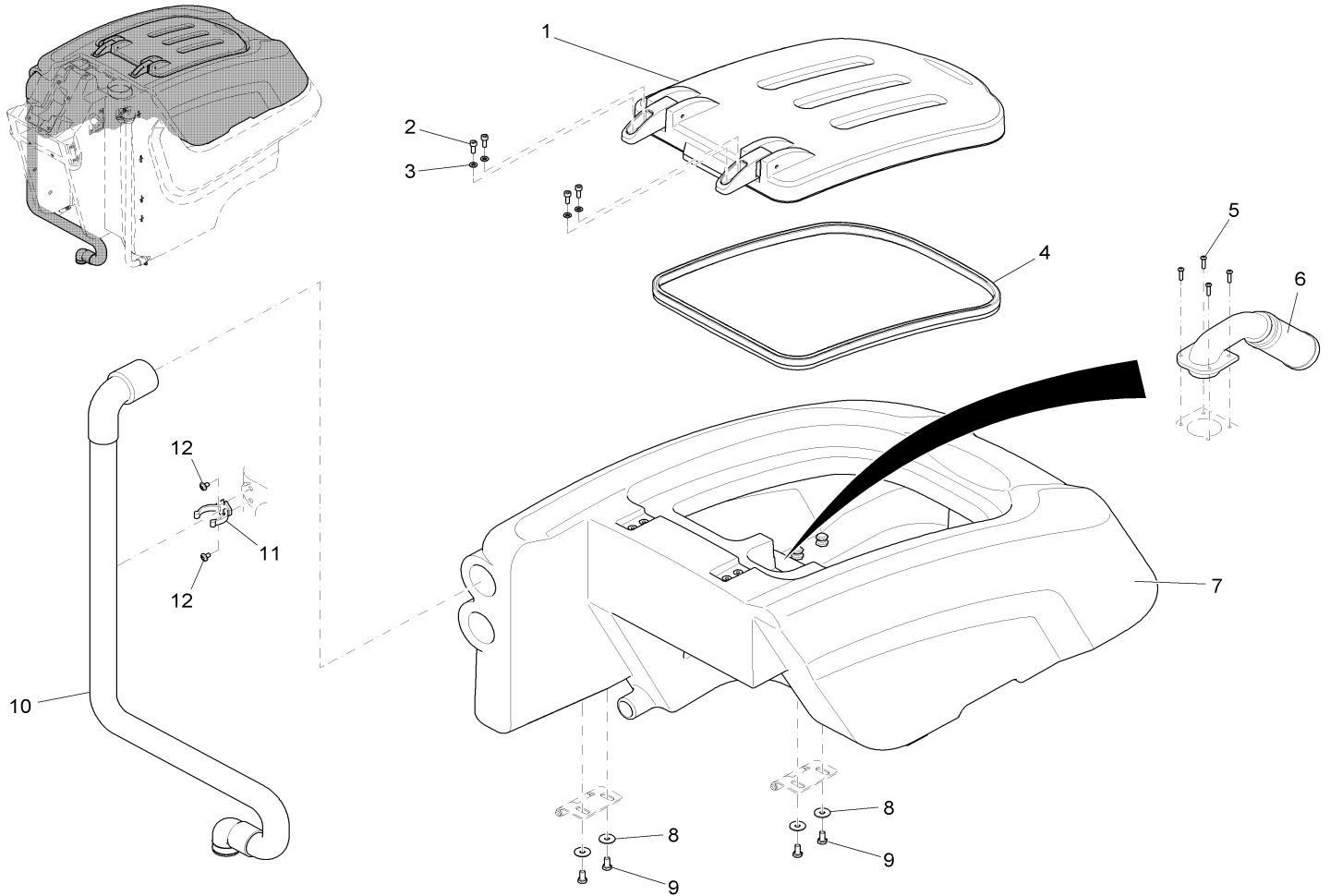
Recovery Tank Drain Hose Subassembly



Bill of Material - 99706111BT50-1

Item	Spare part number	Mat. No.	Qty.	Description
1	00906110	90304528	1	Cover
2	00906100	11175395	2	Fillister-head screw
3	01077960	97090096	1	Foul water hose
4	Not Available	17264888	1	Decal Foul Water
5	01079300	15282072	1	O-Ring

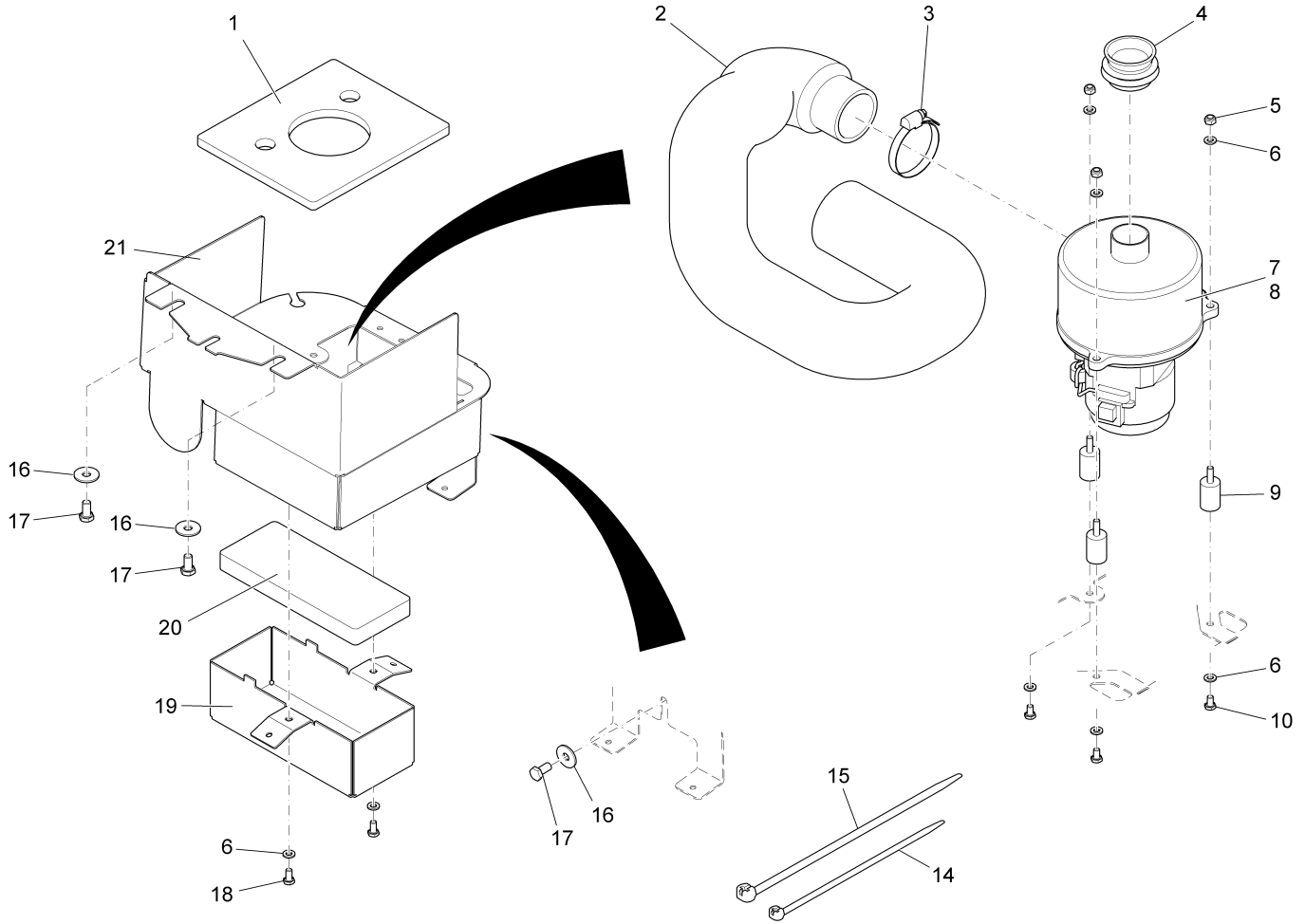
Recovery Tank Assembly



Bill of Material - 99706111BT60

Item	Spare part number	Mat. No.	Qty.	Description
1	01077990	97092951	1	Cover
2	00855560	11132065	4	Cylinder head screw
3	00053730	12310033	4	Washer
4	01071770	25510512	1	Sealing profile
5	01078160	11709151	4	Screw
6	01078250	97093843	1	Filter unit
7	01079410	96117726	1	Recovery tank
8	00042900	12332029	4	Washer
9	00053080	11038197	4	Hexagon screw
10	01077920	96111349	1	Suction hose
11	01078120	90503251	1	Hose support
12	01072520	11177179	2	Lens flange screw

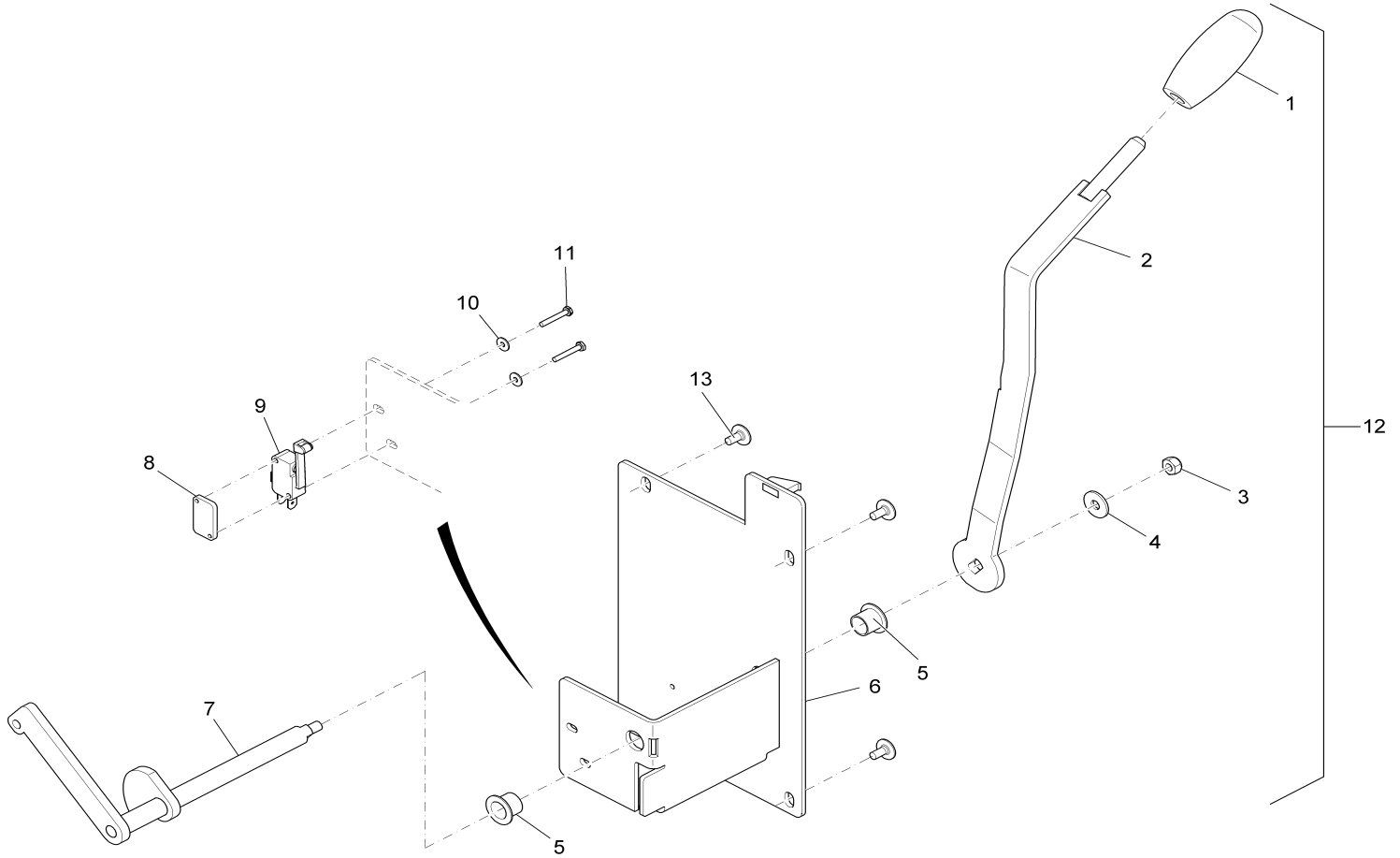
Vacuum Motor Assembly



Bill of Material - 99706111BT70

Item	Spare part number	Mat. No.	Qty.	Description
1	Not Available	90523945	1	Insulating mat
2	01077900	90519737	1	Hose
3	00732130	17533027	1	Hose clamp
4	01078180	90503657	1	Connection
5	00051520	12040044	3	Hexagon nut
6	00053730	12310033	8	Washer
7	01079350	97096200	1	Suction motor
8	Not Available		4	Carbon brush
9	01078190	90518457	3	Buffer
10	00025260	11038056	3	Hexagon screw
14	00121150	90114810	1	Cable tie
15	00967760	90156688	4	Cable tie
16	00042900	12332029	3	Washer
17	00053080	11038197	3	Hexagon screw
18	00104500	11038064	2	Hexagon screw
19	Not Available	90519653	1	Cover 70771/01
20	Not Available	90519745	1	Insulating mat
21	Not Available	96114301	1	Sheet metal

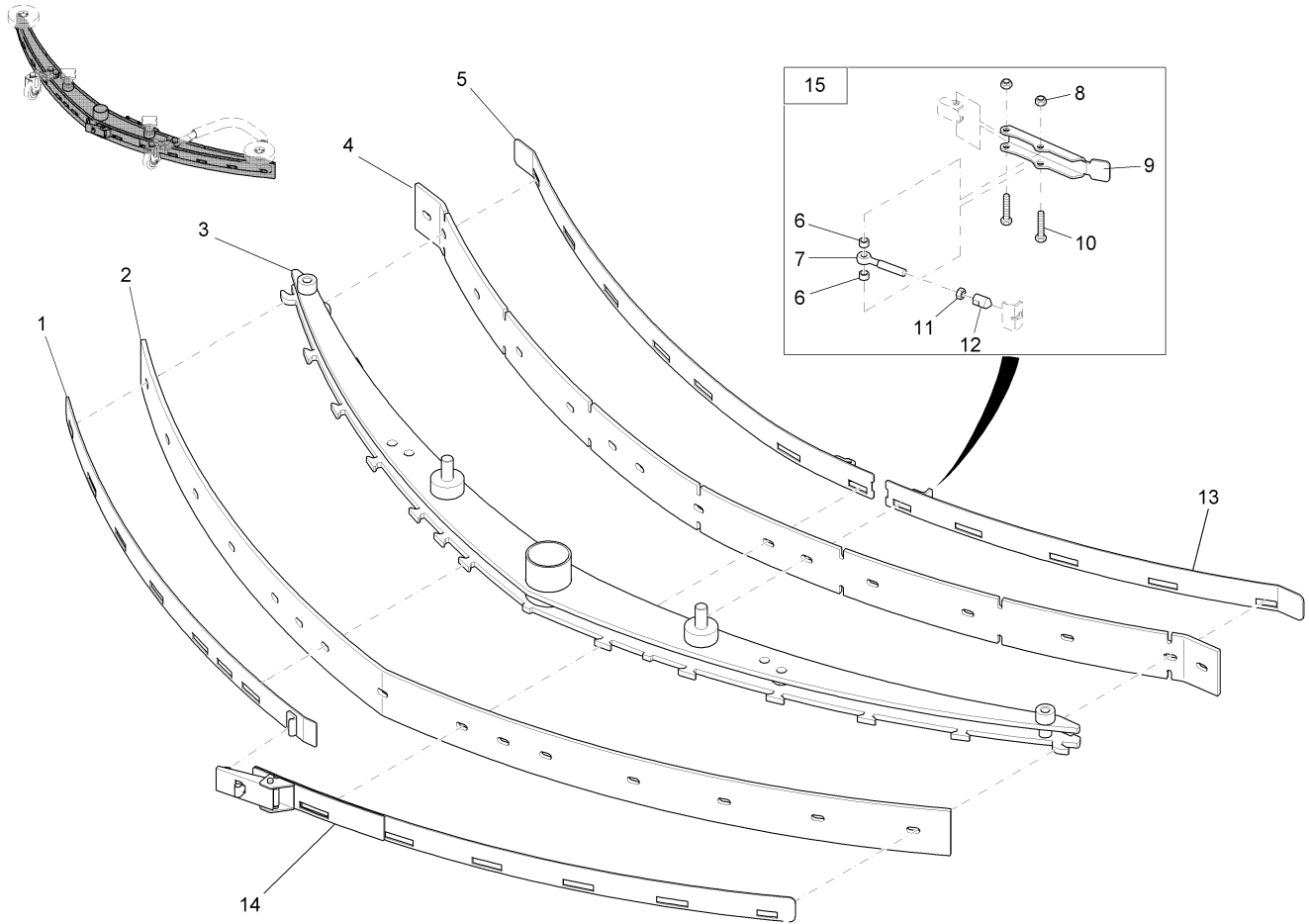
Squeegee Lift Handle Assembly



Bill of Material - 99706111BT80

Item	Spare part number	Mat. No.	Qty.	Description
1	00705560	17143025	1	Handle
2	Not Available	96117825	1	Lever
3	00051520	12040044	1	Hexagon nut
4	00135120	12332011	1	Washer
5	01071440	14895288	2	Plain bearing bush
6	Not Available	96110804	1	Support plate
7	Not Available	96110705	1	Shaft with cam
8	01074840	90471483	1	Thread base plate
9	00975510	90306002	1	Micro switch
10	00747400	12332110	2	Washer
11	00022180	11039088	2	Hex.bolt
12	00009000	97092340	1	Lifting suction unit
13	01072520	11177179	4	Lens flange screw

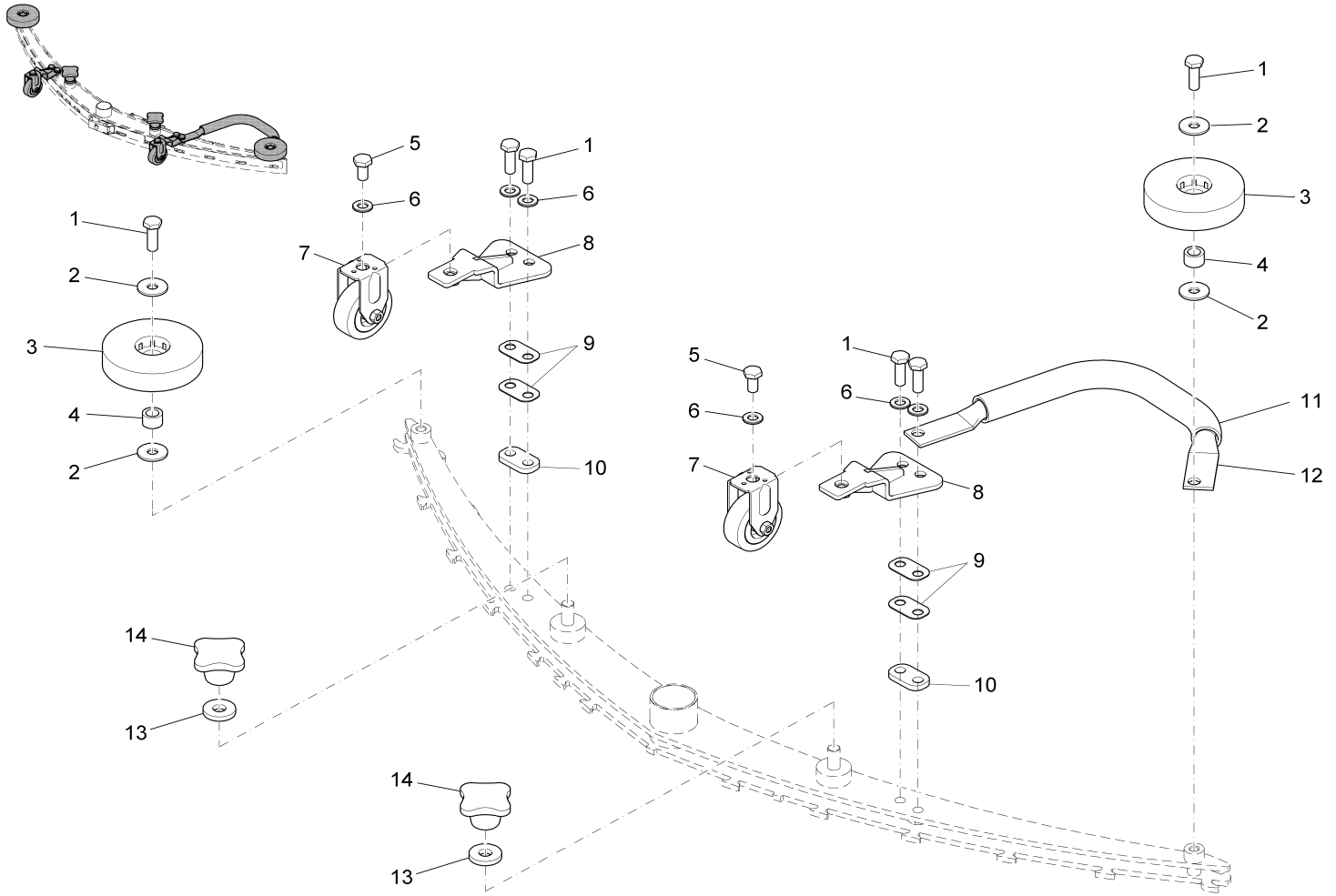
Squeegee Assembly I



Bill of Material - 99706111BT100

Item	Spare part number	Mat. No.	Qty.	Description
1	01077660	96113410	1	Rear tension band
2	01077480	90494139	1	Sealing strip
3	01077940	96113279	1	Suction unit
4	01077470	90493560	1	Slot strip
5	01077650	96113402	1	Front tension band
6	01077590	90514506	2	Bushing
7	01077500	11518313	1	Eye bolt
8	01017660	12040283	2	Hex. Nut
9	01077580	90535758	1	Lever
10	01079890	11039765	2	Hexagon screw
11	00902250	12022430	1	Hex. Nut
12	01078090	90513631	1	Pressure piece
13	01077640	96113303	1	Front tension band
14	01077670	96113428	1	Rear tension band
15	00009010	97057459	1	Lock suction unit

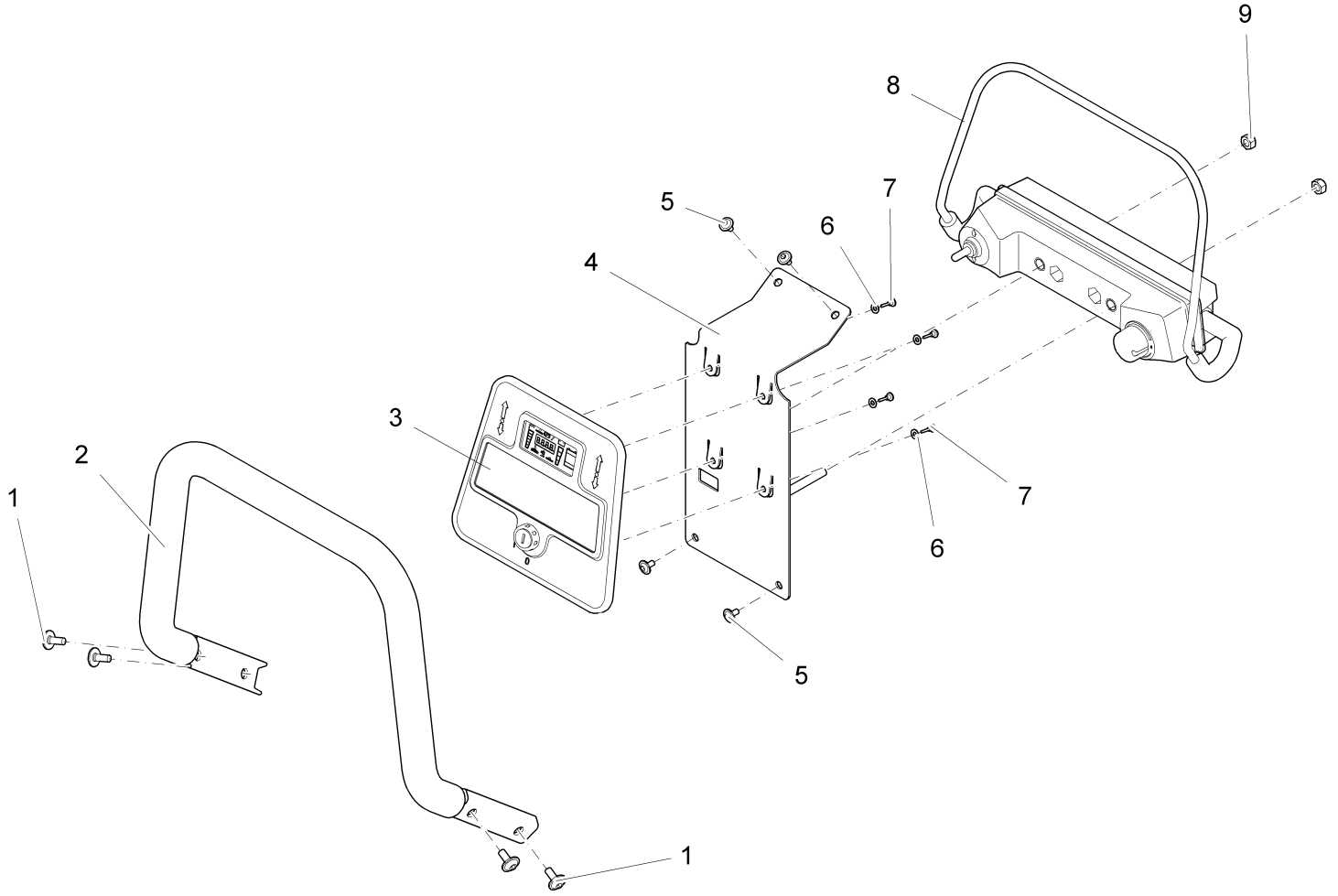
Squeegee Assembly II



Bill of Material - 99706111BT110

Item	Spare part number	Mat. No.	Qty.	Description
1	01059530	11039567	6	Hexagon screw
2	00902280	12332136	4	Washer
3	00924810	90336637	2	Deflector roller
4	00879030	90199019	2	Pipe
5	01071740	11039609	2	Hex.bolt
6	00101550	12310264	6	Washer
7	01077810	90513094	2	Fixed castor
8	01079070	97098842	2	Fixed castor
9	01077610	90514993	4	Distance piece
10	01077600	90514936	2	Distance piece
11	00911270	25842105	1	Hose
12	01077620	90515461	1	Bracket
13	00972060	12515094	2	Disk wheel
14	00866720	17133026	2	Star handle
15	01079080	90531112	10	Spacer

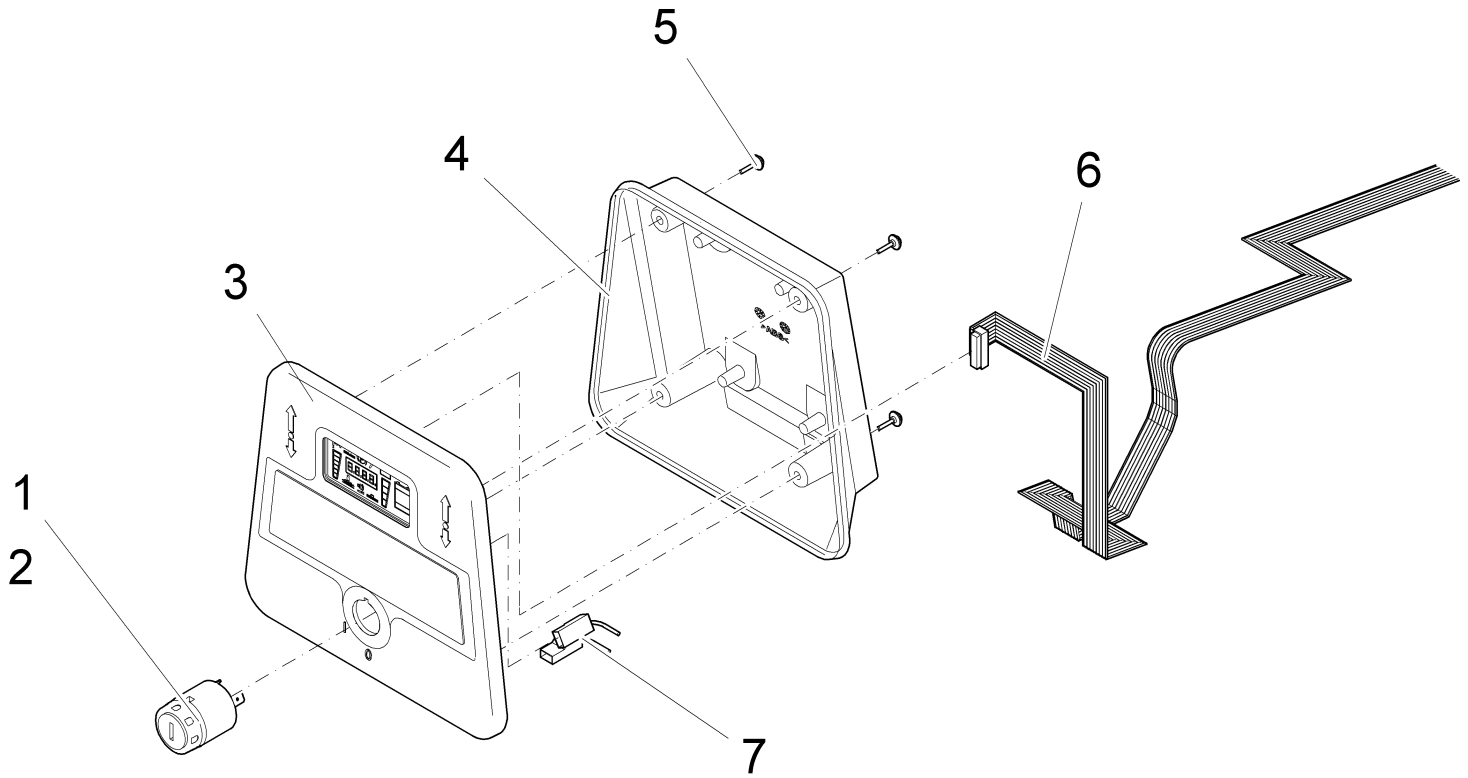
Control Panel Assembly



Bill of Material - 99706111BT120

Item	Spare part number	Mat. No.	Qty.	Description
1	01074320	11177187	4	Lens flange screw
2	01079760	90494501	1	Handle bar
3	99706111BT120.1		1	Console, DO NOT ORDER - ITEM HAS SUBMODULES
4	01079770	96117585	1	Sheet metal
5	01072520	11177179	4	Lens flange screw
6	00874720	12310272	4	Washer
7	00961490	11709011	4	Self tapping screw
8	01079950	97096069	1	Bail system
9	00051510	12040051	2	Hexagon nut

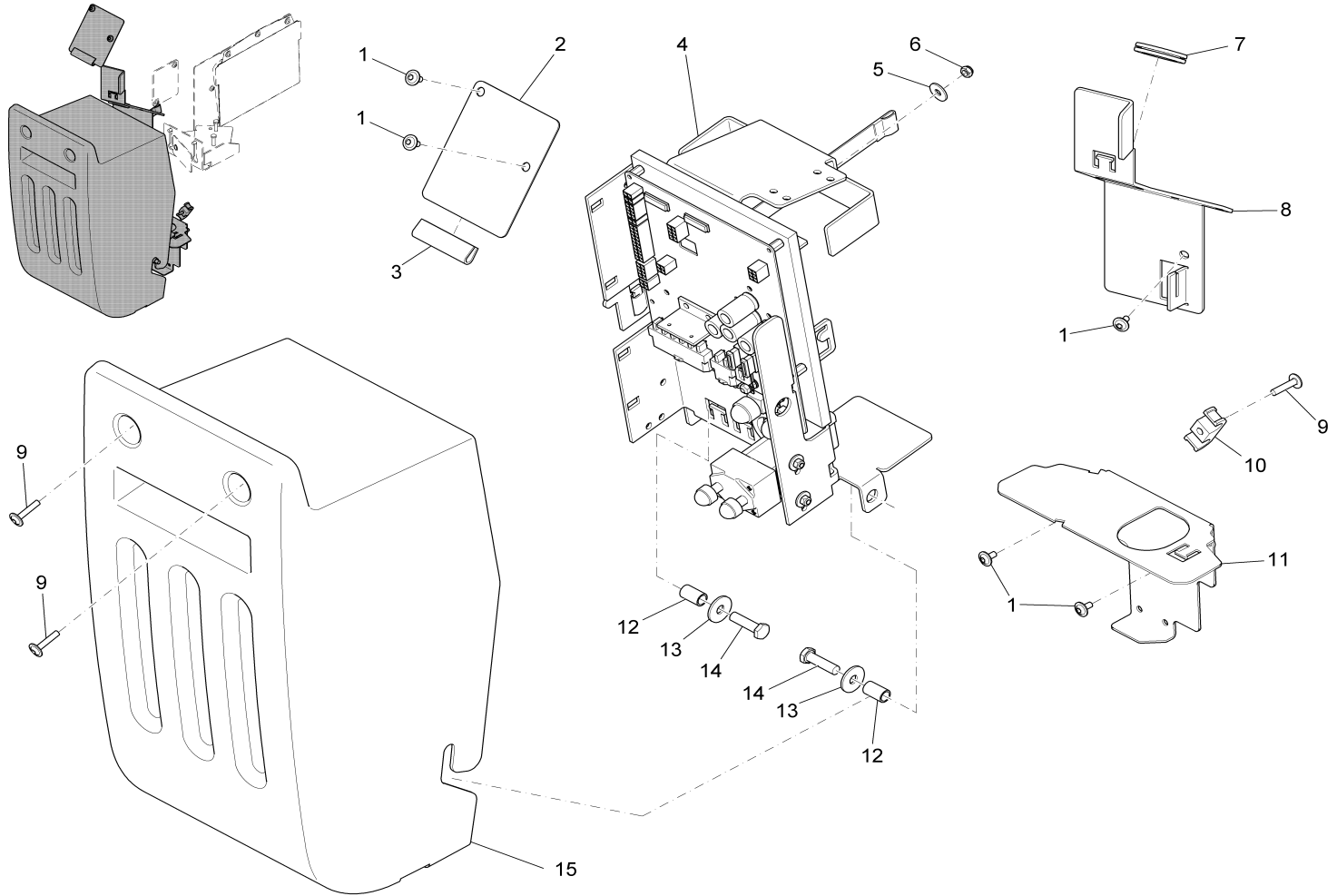
Control Panel Assembly
Console Subassembly



Bill of Material - 99706111BT120-1

Item	Spare part number	Mat. No.	Qty.	Description
1	00021710	90323437	1	Key switch
2	00745890	00745890	1	Set (2pc.) key
3	Not Available	96113469	1	Panel, complete
4	Not Available	90499492	1	Console
5	01078860	11702123	4	Screw
6	01078930	90511130	1	Ribbon cable
7	01078950	90518150	1	Cable key switch

Electrical Assembly I

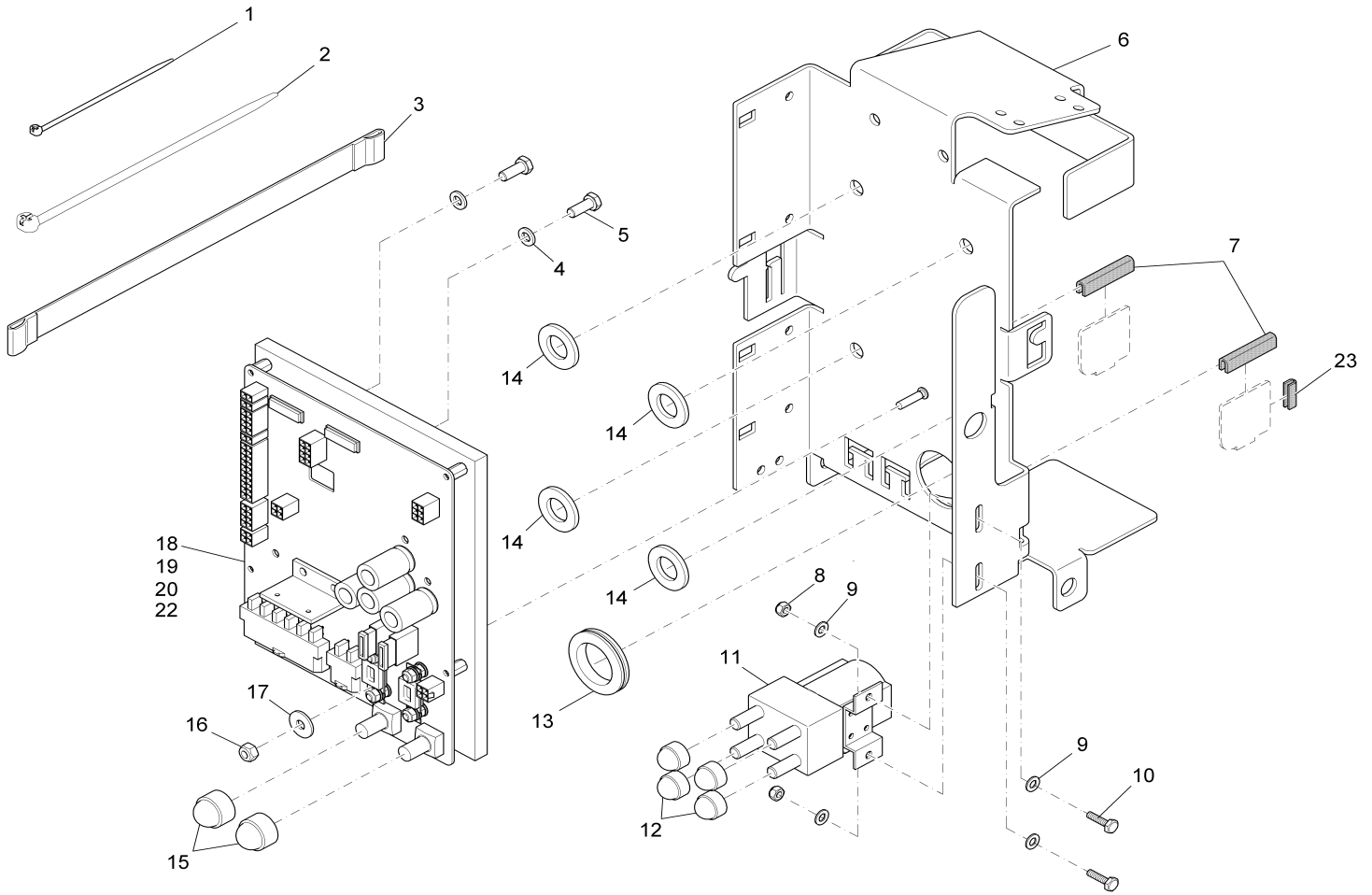


Bill of Material - 99706111BT130

Item	Spare part number	Mat. No.	Qty.	Description
1	01072520	11177179	5	Lens flange screw
2	01078570	90509803	1	Sheet metal
3	00161240	25582024	1	Edge protection
4	99706131BT130-1		1	Retainer cpl., DO NOT ORDER - ITEM HAS SUBMODULES
5	00153200	12347027	1	Washer
6	00051520	12040044	1	Hexagon nut
7	Not Available		1	Sheet metal
8	01078580	90511338	1	Sheet metal
9	01082530	11177161	3	Lens flange screw
10	01073420	17521048	1	Clamp
11	Not Available	90529165	1	Clamping plate
12	01078260	90499377	2	Bushing
13	00042900	12332029	2	Washer
14	00053110	11038254	2	Hexagon screw
15	01078270	96114996	1	Covering

Electrical Assembly I

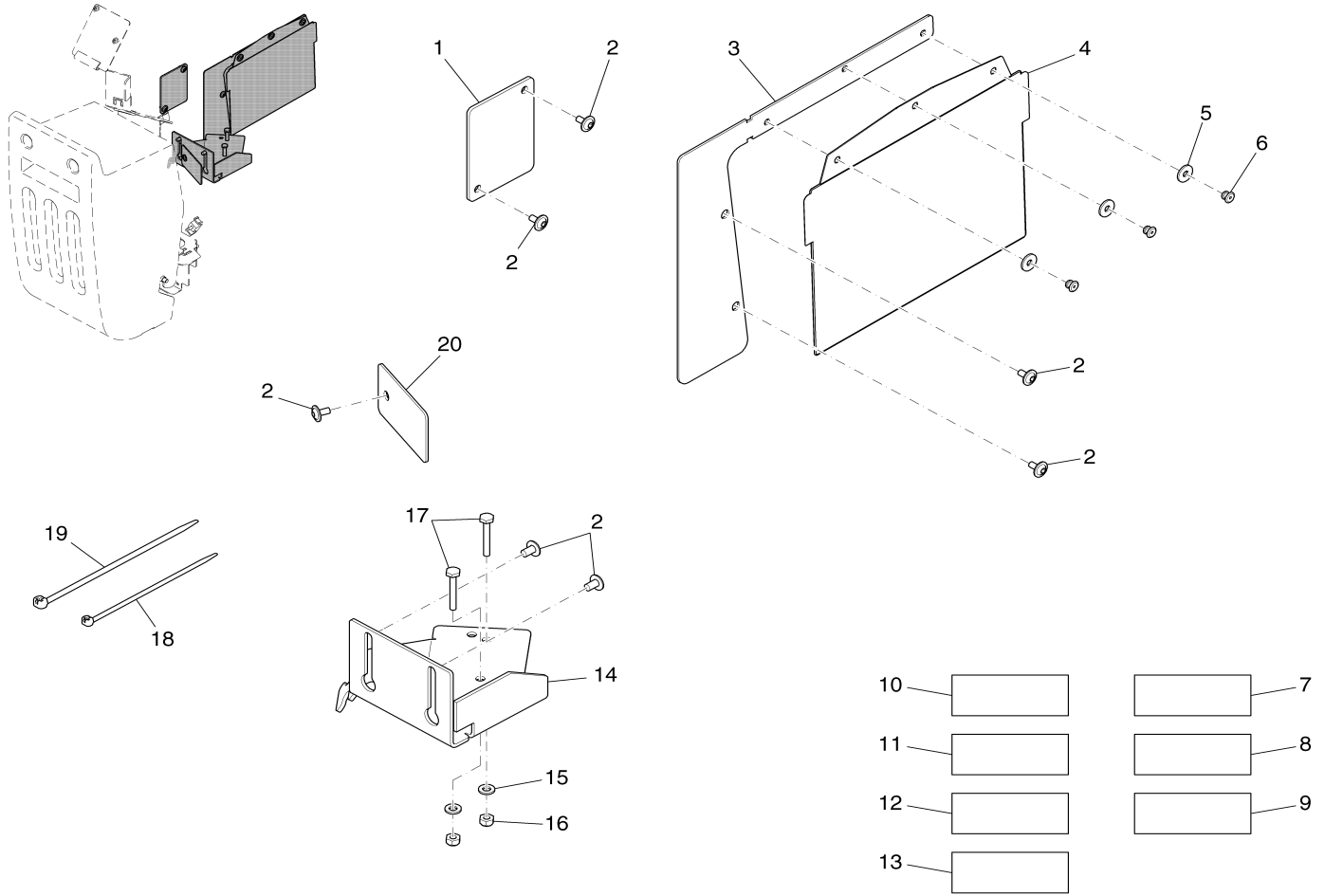
Retainer Subassembly



Bill of Material - 99706111BT130-1

Item	Spare part number	Mat. No.	Qty.	Description
1	00967760	90156688	4	Cable tie
2	00121150	90114810	8	Cable tie
3	01077880	90517699	1	Webbing
4	00053730	12310033	2	Washer
5	00053010	11038072	2	Hex.bolt
6	01078640	96117668	1	Retainer
7	00721090	25583022	120mm	Edge protection
8	00051340	12040036	2	Hexagon nut
9	00053720	12310025	4	Washer
10	00054410	11038049	2	Hex.bolt
11	00707360	90331026	1	Solenoid
12	00131610	15592033	4	Lens cap
13	Not Available	15595259	1	Cable sleeve
14	01078240	90510017	4	Washer
15	00747210	15592041	2	Lens cap
16	00051520	12040044	1	Hexagon nut
17	00135120	12332011	1	Washer
18	01079140	97057384	1	Controller E24/E26 with Package
19	00972420	00972420	0	Strip fuse
20	00902440	00902440	0	Strip fuse
22	00972430	00972430	0	Fuse
23	00721090	25583022	30mm	Edge protection

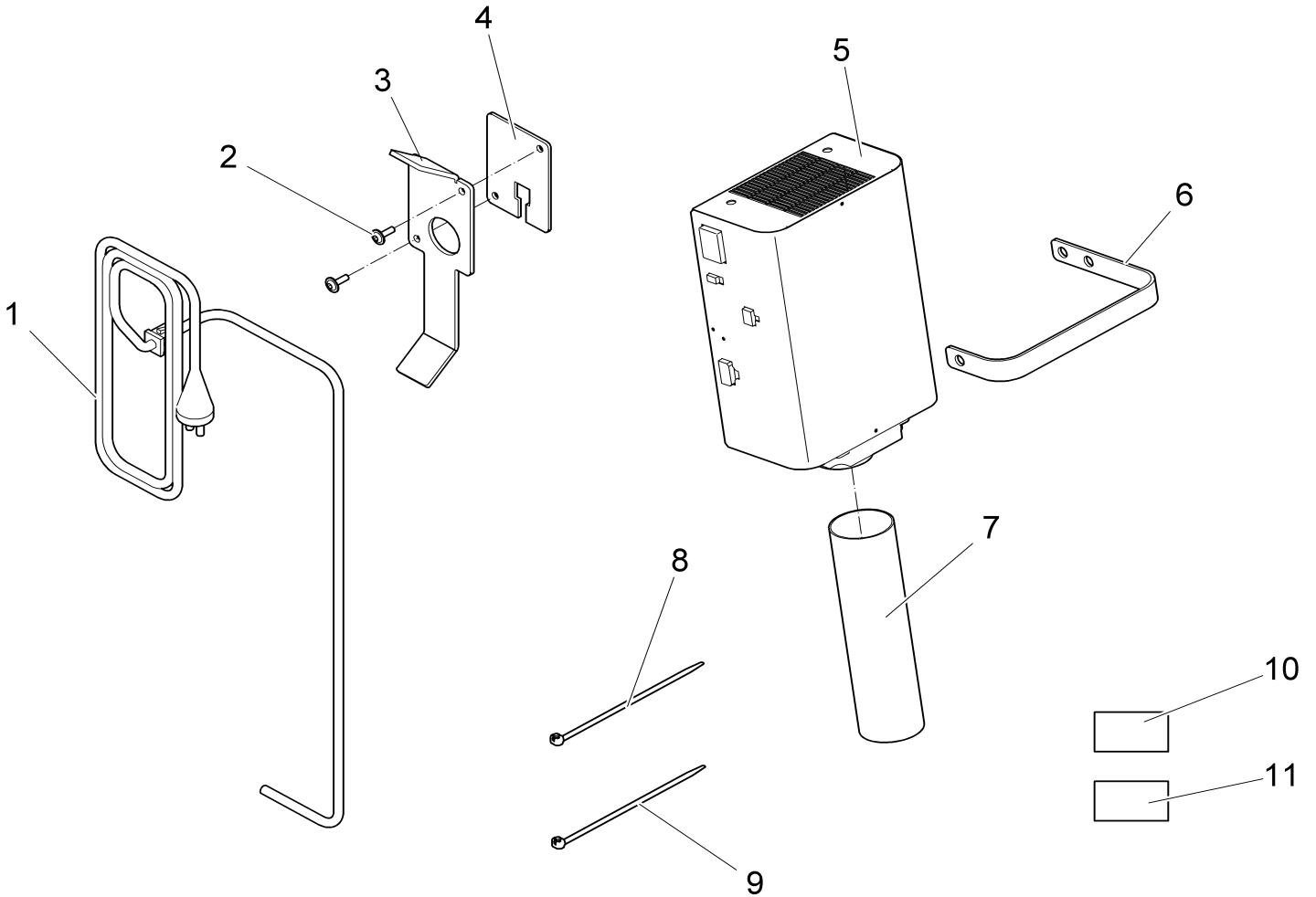
Electrical Assembly II



Bill of Material - 99706111BT140

Item	Spare part number	Mat. No.	Qty.	Description
1	01078600	90518119	1	Covering
2	01072520	11177179	7	Lens flange screw
3	01078610	90511346	1	Sheet metal
4	01078280	90465774	1	Bag
5	00555520	12332052	3	Washer
6	01078290	13165196	3	Blind rivet
7	03006850	97094247	1	Wiring harness W1
8	Not Available	97094254	1	Wiring harness W2
9	Not Available	97099089	1	Wiring harness W3
10	Not Available	97099063	1	Wiring harness W9
11	03006880	97095624	1	Wiring harness W11
12	03006890	97094387	1	Set of cables
13	03006900	97095657	1	Set of cables battery
14	01078620	90512146	1	Sheet metal
15	00053730	12310033	2	Washer
16	00051520	12040044	2	Hexagon nut
17	00053290	11038130	2	Hexagon screw
18	00121150	90114810	12	Cable tie
19	00967760	90156688	18	Cable tie
20	01078630	90511320	1	Sheet metal
21	Not Available	97099048	1	Wiring harness W11

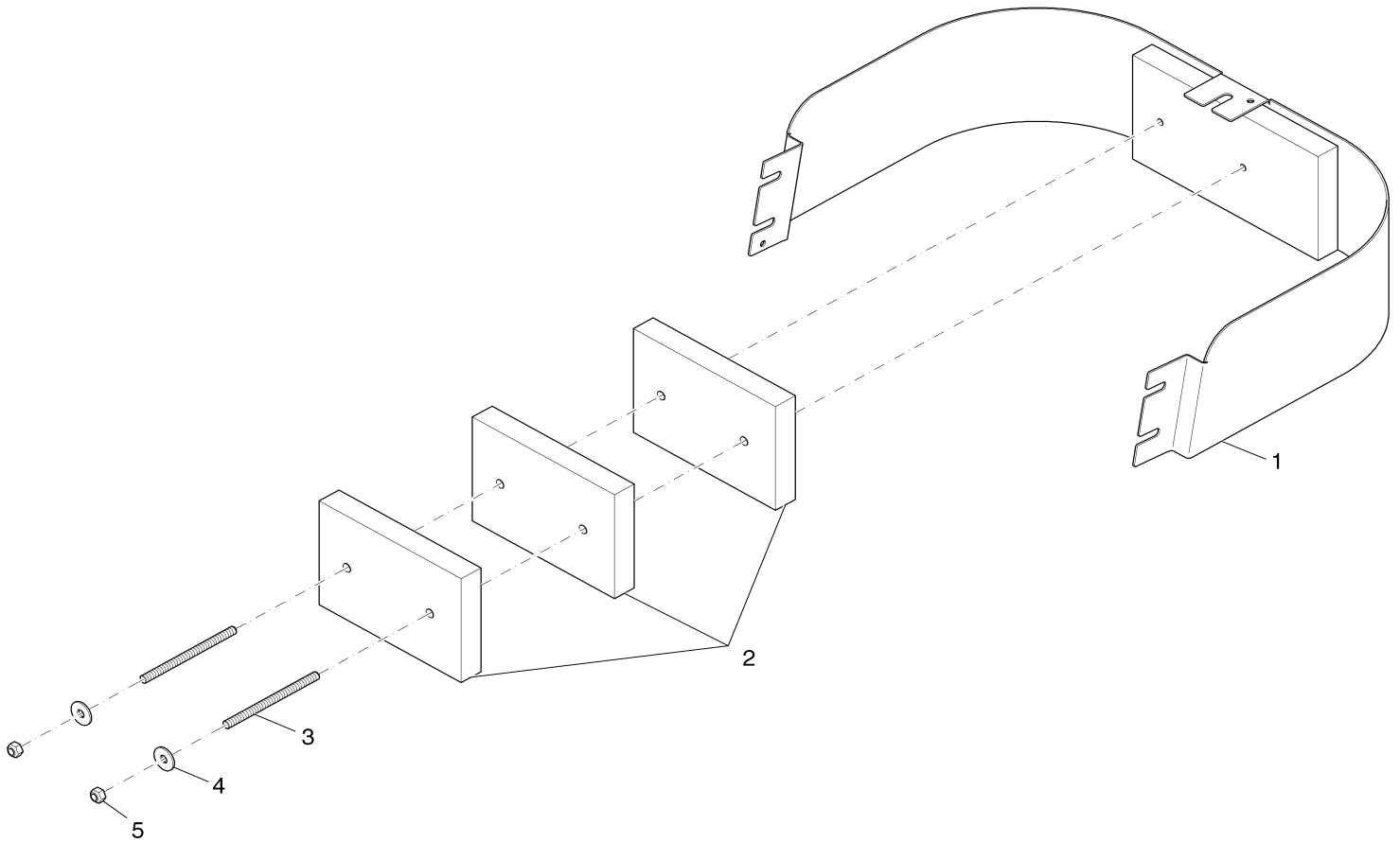
Battery Charger Assembly



Bill of Material - 99706111BT160

Item	Spare part number	Mat. No.	Qty.	Description
1	01079380	90532987	1	Power Cord
2	01017640	11177060	2	Lens flange screw
3	01074240	90463746	1	Cap
4	01079360	90533266	1	Cover
5	01079370	96117197	1	Battery Charger
6	01077870	90517665	1	Tension band
7	01078320	90512575	3	Hose
8	00121150	90114810	8	Cable tie
9	00967760	90156688	1	Cable tie
10	03006770	97094304	1	Wire harness W6
11	03006840	97094346	1	Wiring harness W8

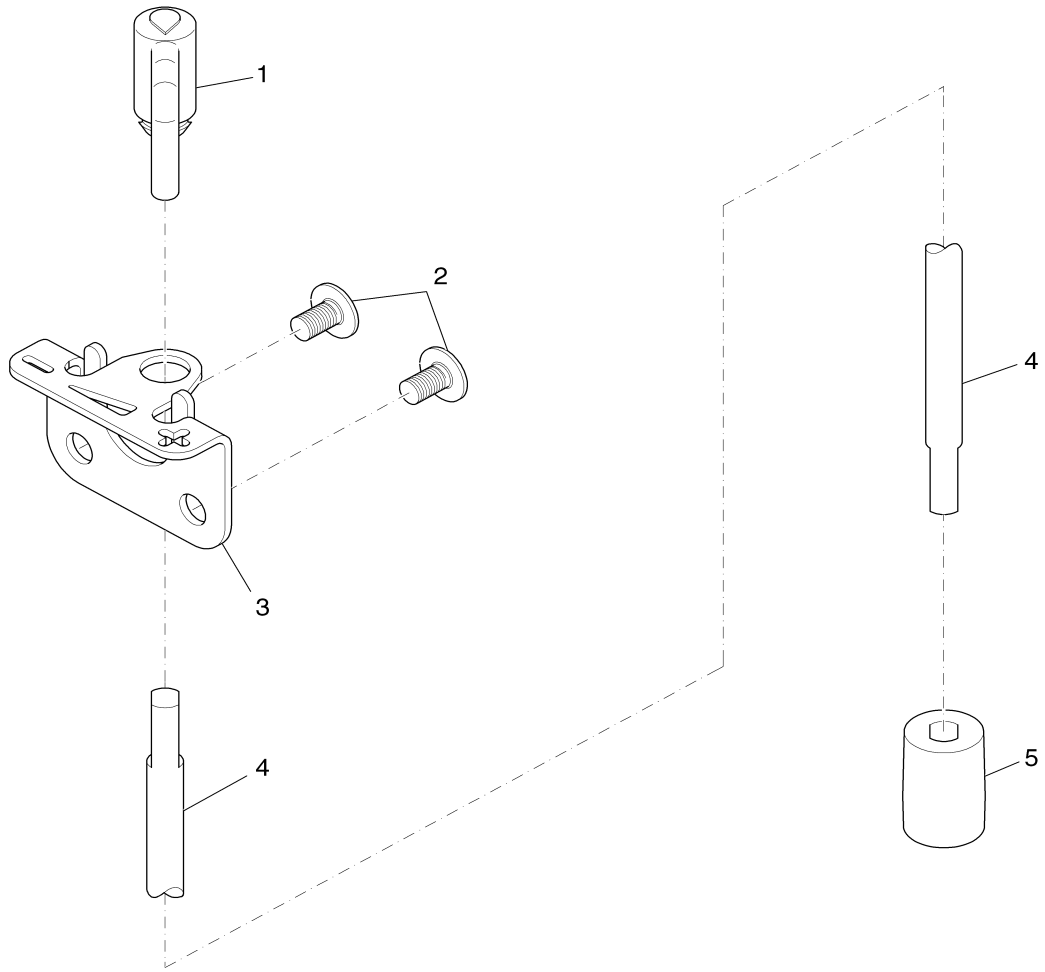
Deck Cover Assembly



Bill of Material - 99706111BT170

Item	Spare part number	Mat. No.	Qty.	Description
1	Not Available	96115084	1	Cover compl.
2	Not Available	96118674	3	Weight
3	Not Available	90539255	2	Threaded rod
4	Not Available	12332029	2	Washer
5	Not Available	12040051	2	Hexagon nut

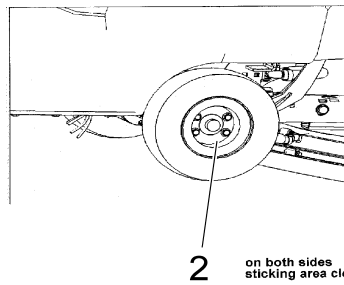
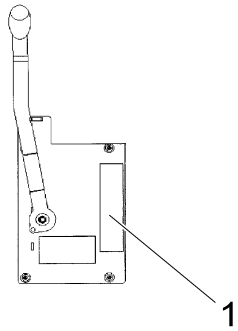
Solution Control Assembly



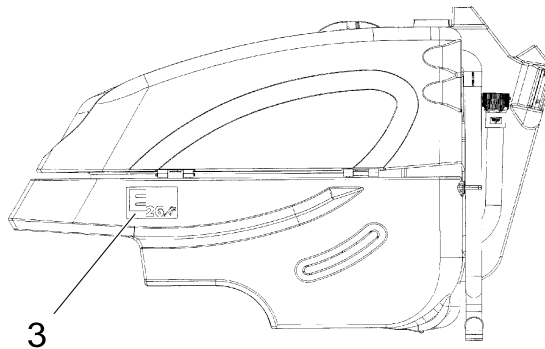
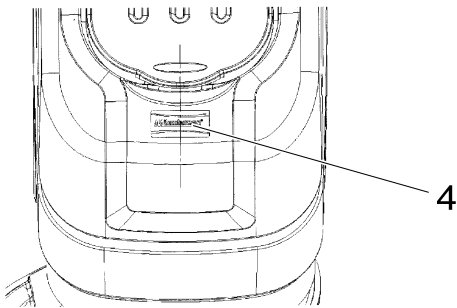
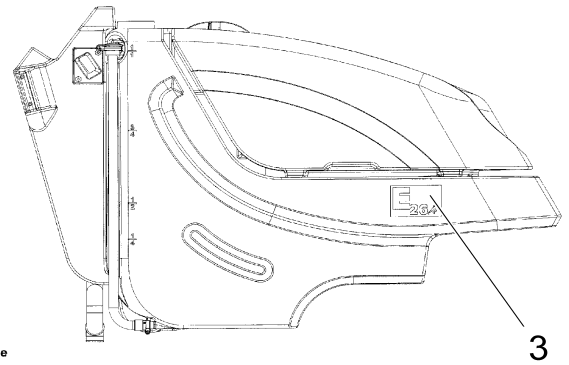
Bill of Material - 99706111BT180

Item	Spare part number	Mat. No.	Qty.	Description
1	01078370	90502436	1	Lever
2	01072520	11177179	2	Lens flange screw
3	01078380	90502444	1	Sheet metal
4	01078390	90502618	1	Shaft
5	01078400	90502428	1	Connecting piece

Machine Labels



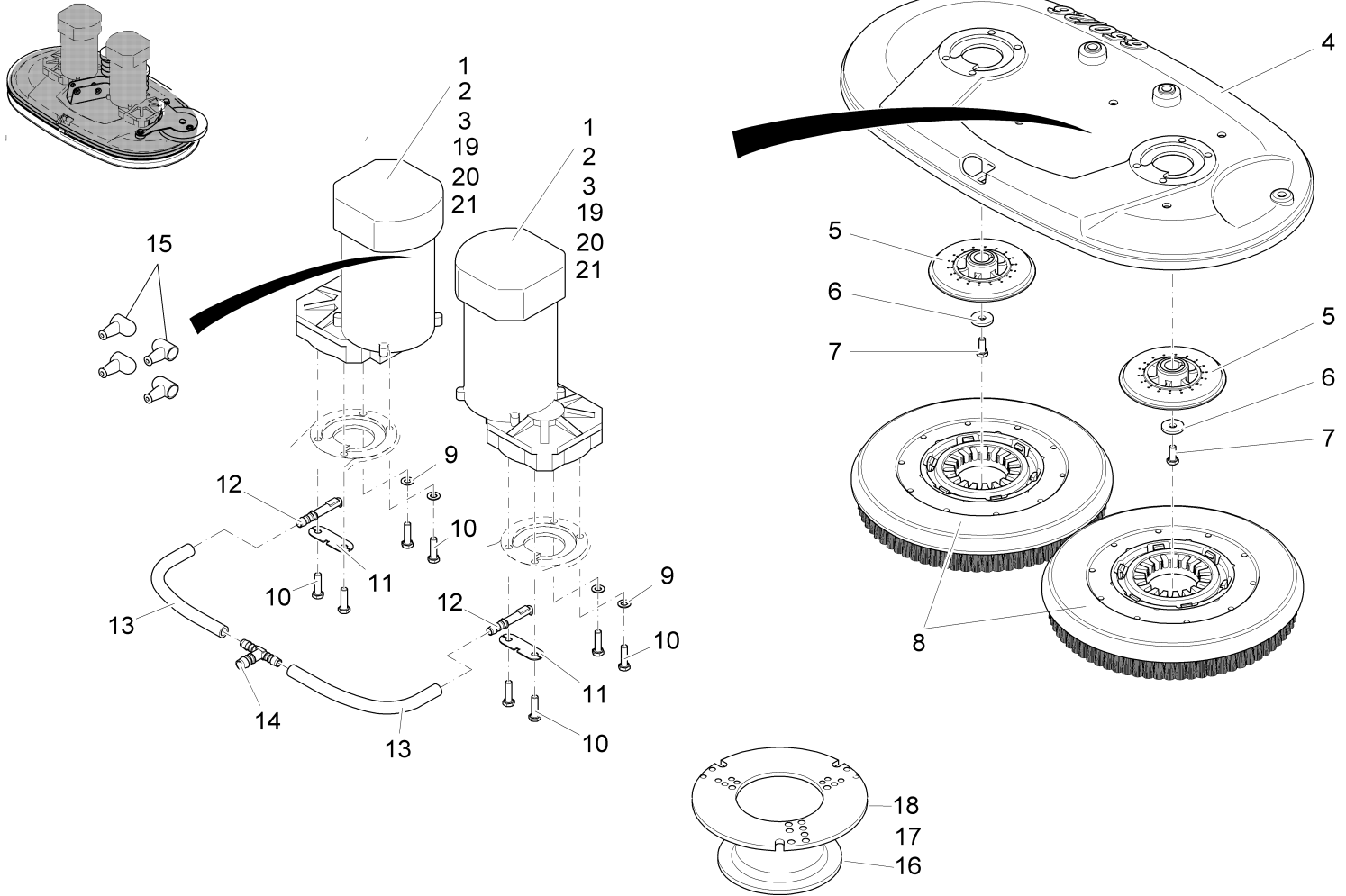
on both sides
sticking area clean and free of grease



Bill of Material - 99706111BT190

Item	Spare part number	Mat. No.	Qty.	Description
1	01077440	17267212	1	Decal Details
2	01077450	17267220	1	Decal 4,5bar
3	Not Available	17205121	2	Decal E26
4	Not Available	17201145	1	Decal Minuteman

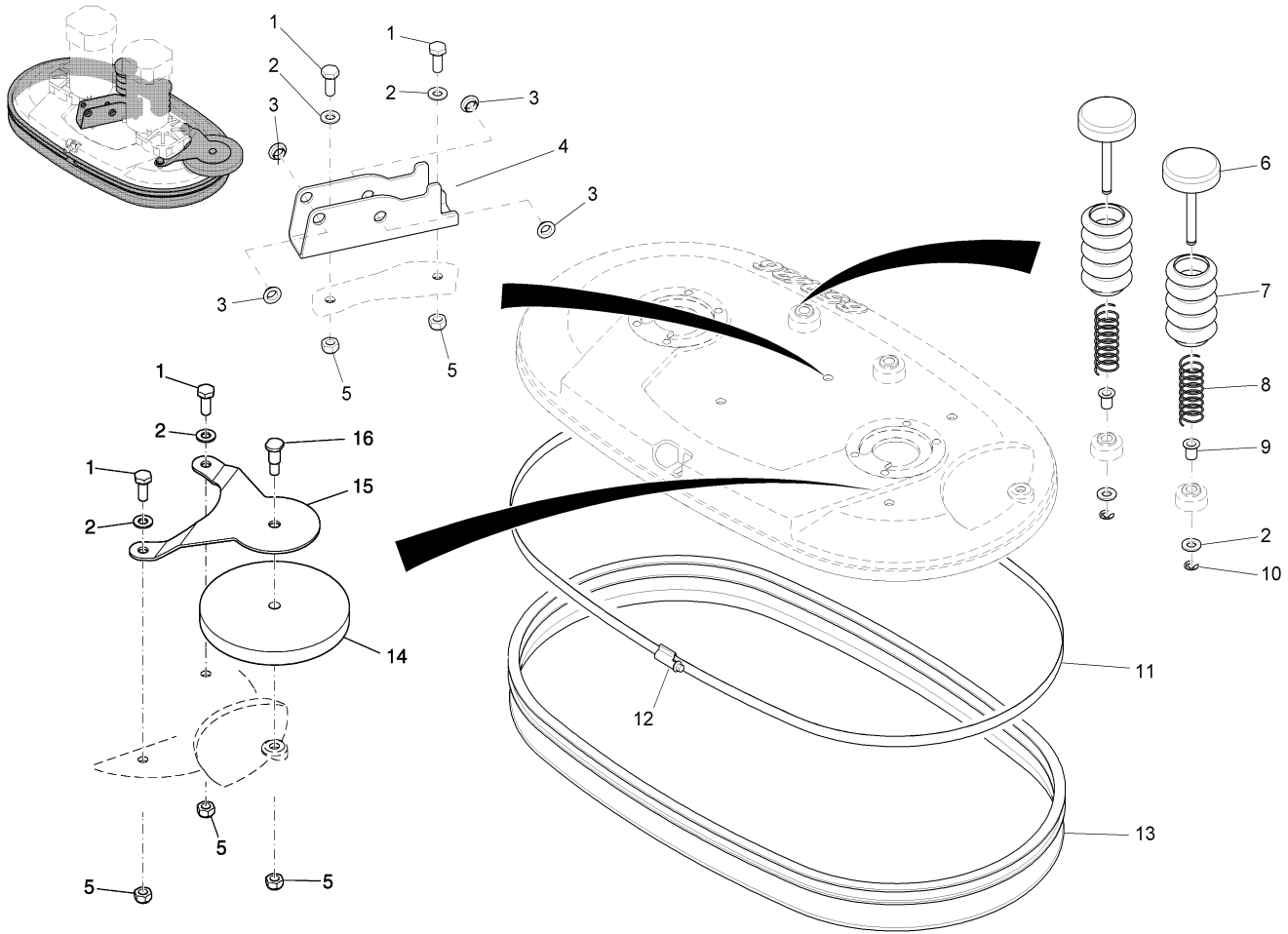
Disc Scrub Deck Assembly I



Bill of Material - 99706111BT200

Item	Spare part number	Mat. No.	Qty.	Description
1	01077180	90507476	2	Motor
2	01077230	01077230	2	Fitting key
3	01077240	01077240	1	Set (4pc.) Carbon brush
4	Not Available	90503178	1	Brush deck housing
5	00512400	90324369	2	Carrier
6	00879170	90209537	2	Washer
7	00053090	11038213	2	Hexagon screw
8	7523	7523	2	Pad driver
9	00101550	12310264	4	Washer
10	00053110	11038254	8	Hexagon screw
11	01077750	90500216	2	Sheet metal
12	01078330	90500265	2	Spray tube
13	00180190	25842014	2	Hose
14	00901310	90275157	1	T-reducer muff
15	01078070	90524174	4	Protection cap
16	00681500	90364365	1	Center-lock, lower part
17	00961490	11709011	6	Self tapping screw
18	00681490	90364373	1	Center-lock, upper part
19	01077250	01077250	1	Spring
20	01077210	01077210	1	Gear
21	01077220	01077220	1	Circlip

Disc Scrub Deck Assembly II



Bill of Material - 99706111BT210

Item	Spare part number	Mat. No.	Qty.	Description
1	00053310	11038346	4	Hexagon screw
2	Not Available	12310058	6	Washer
3	01077510	14895478	4	Slide bearing bush
4	Not Available	90538752	1	Bracket
5	00051500	12040069	5	Hexagon nut
6	01078000	96112388	2	Ejector
7	01078350	90500232	2	Bellow
8	01078340	90500208	2	Compression spring
9	01078360	14895437	2	Slide bearing bush
10	00046280	12640033	2	Thrust washer
11	00712300	17528548	1	Tension band
12	00901390	17528555	1	Tension band lock
13	Not Available	90536376	1	Sealing strip
14	01078060	90500224	1	Deflector roller
15	01077560	90500273	1	Retainer
16	01077570	90507831	1	Screw

Minuteman International Made Simple Commercial Limited Warranty

Minuteman International, Inc. warrants to the original purchaser/user that the product is free from defects in workmanship and materials under normal use. Minuteman will, at its option, repair or replace without charge, parts that fail under normal use and service when operated and maintained in accordance with the applicable operation and instruction manuals. All warranty claims must be submitted through and approved by factory authorized repair stations.

This warranty does not apply to normal wear, or to items whose life is dependent on their use and care, such as belts, cords, switches, hoses, rubber parts, electrical motor components or adjustments. Parts not manufactured by Minuteman are covered by and subject to the warranties and/or guarantees of their manufacturers. Please contact Minuteman for procedures in warranty claims against these manufacturers.

Special warning to purchaser -- Use of replacement filters and/or prefilters not manufactured by Minuteman or its designated licensees, will void all warranties expressed or implied. A potential health hazard exists without original equipment replacement.

All warranted items become the sole property of Minuteman or its original manufacturer, whichever the case may be.

Minuteman disclaims any implied warranty, including the warranty of merchantability and the warranty of fitness for a particular purpose. Minuteman assumes no responsibility for any special, incidental or consequential damages.

This limited warranty is applicable only in the U.S.A. and Canada, and is extended only to the original user/purchaser of this product. Customers outside the U.S.A. and Canada should contact their local distributor for export warranty policies. Minuteman is not responsible for costs or repairs performed by persons other than those specifically authorized by Minuteman. This warranty does not apply to damage from transportation, alterations by unauthorized persons, misuse or abuse of the equipment, use of non-compatible chemicals, or damage to property, or loss of income due to malfunctions of the product.

If a difficulty develops with this machine, you should contact the dealer from whom it was purchased.

This warranty gives you specific legal rights, and you may have other rights which vary from state to state. Some states do not allow the exclusion or limitation of special, incidental or consequential damages, or limitations on how long an implied warranty lasts, so the above exclusions and limitations may not apply to you.

Cord Electric Group..... Three years parts, two years labor, ninety days travel (Not to exceed two hours)
Exceptions..... Port-A-Scrub, one year parts, six months labor
MPV 13, one year parts
MPV 14 and 18, two years parts, one year labor
RapidAir blower, one year parts, one year labor
Explosion-Proof Vacuum, one year parts, one year labor
Pneumatic Vacuums, three years parts, one year labor
EX 12 and EX12H, one year parts, one year labor

Battery Operated Group..... Three years parts, two years labor, ninety days travel
(Not to exceed two hours)
Exceptions..... Sweepers, one year parts, one year labor, ninety days travel
(Not to exceed two hours)

Internal Combustion Group....One year parts, one year labor, ninety day travel
(Not to exceed two hours)

Replacement Parts.....Ninety days
Batteries.....0-3 months replacement, 4-12 months pro-rate
Polypropylene Plastic Tanks...Ten years, no additional labor

111 South Rohlwing Road · Addison, Illinois 60101 USA
Phone 630- 627-6900 · Fax 630- 627-1130
E-Mail, www.minutemanintl.com

A Member of the Hako Group