

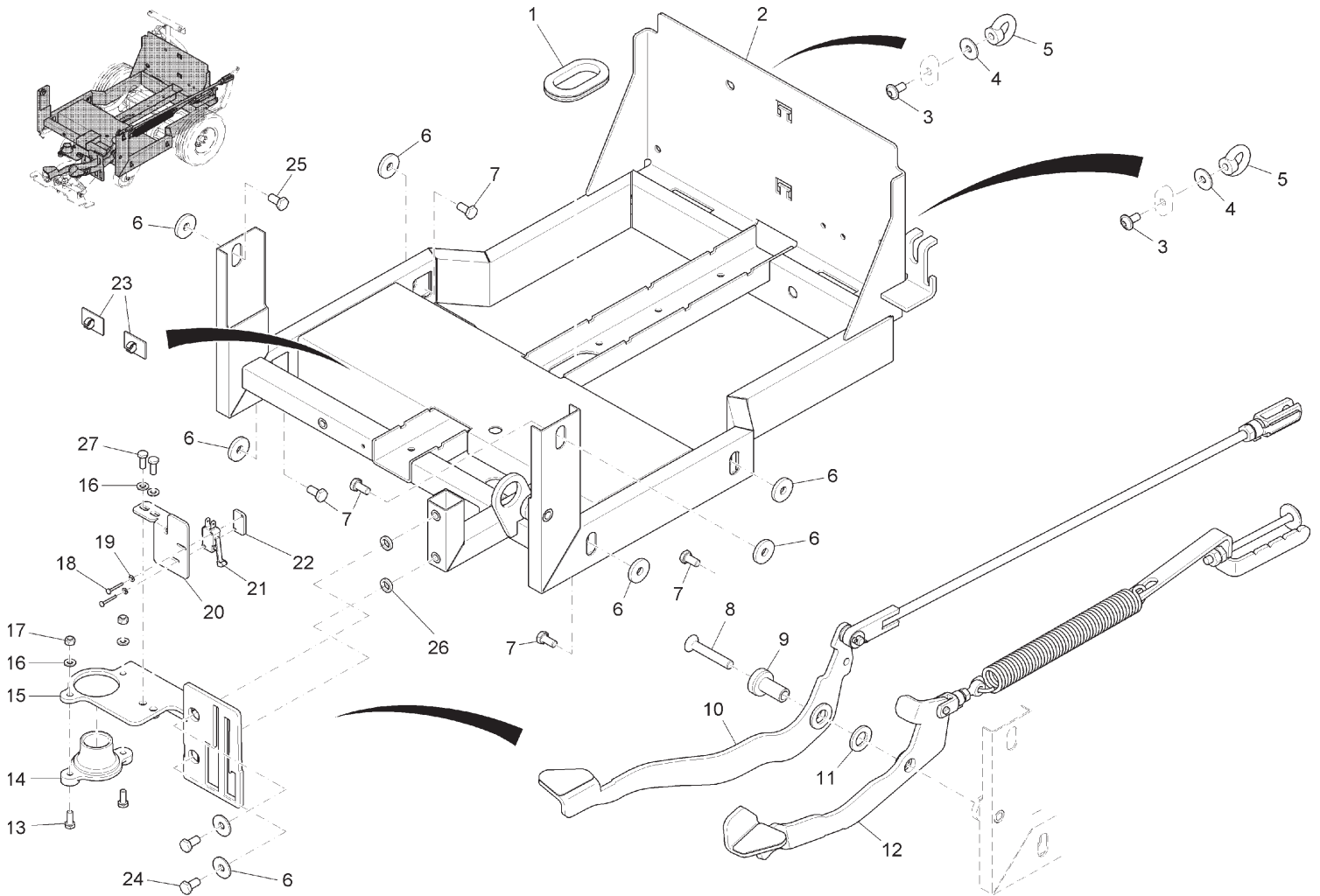
Parts Manual
E33XL Walk-Behind Scrubber

For Safety When Servicing or Maintaining Machine

- Stop on level surface.
- Disconnect the power to the machine by pulling the red Battery Connector located under the recovery tank near the batteries.
- Avoid moving parts. Do not wear loose jackets, shirts, or sleeves when working on machine.
- Avoid contact with battery acid. Battery acid can cause burns. When working on or around batteries, wear protective clothing and safety glasses. Remove metal jewelry. Do not lay tools or metal objects on top of batteries.
- Do not clean machine with a pressure washer.
- Authorized personnel must perform repairs and maintenance. Use Minuteman supplied replacement parts.

Chassis Assembly I	1
Lift Pedal Subassembly	2
Brush pressure adjustment Subassembly	3
Chassis Assembly II	4
Traction Drive Motor Subassembly	5
Chassis Assembly III	6
Water Supply Subassembly I	7
Water Supply Subassembly II	8
Squeegee Connection Subassembly I	9
Squeegee Connection Subassembly II	10
Squeegee Connection Subassembly I	11
Squeegee Connection Subassembly II	12
Battery Tray Assembly	13
Solution Tank Assembly	14
Recovery Tank Assembly	15
Lifting Device Subassembly	16
Vacuum Motor Assembly	17
Squeegee Lift Handle Assembly	18
Squeegee Lock Assembly	19
Squeegee Assembly I	20
Squeegee Assembly II	21
Control Panel Assembly	22
Console Subassembly	23
Electrical Assembly I	24
Retainer Subassembly	25
Electrical Assembly II	26
Battery Charger Assembly	27
Machine Labels	28
Disc Scrub Deck Assembly I	29
Disc Scrub Deck Assembly II	30
Disc Scrub Deck Assembly III	31

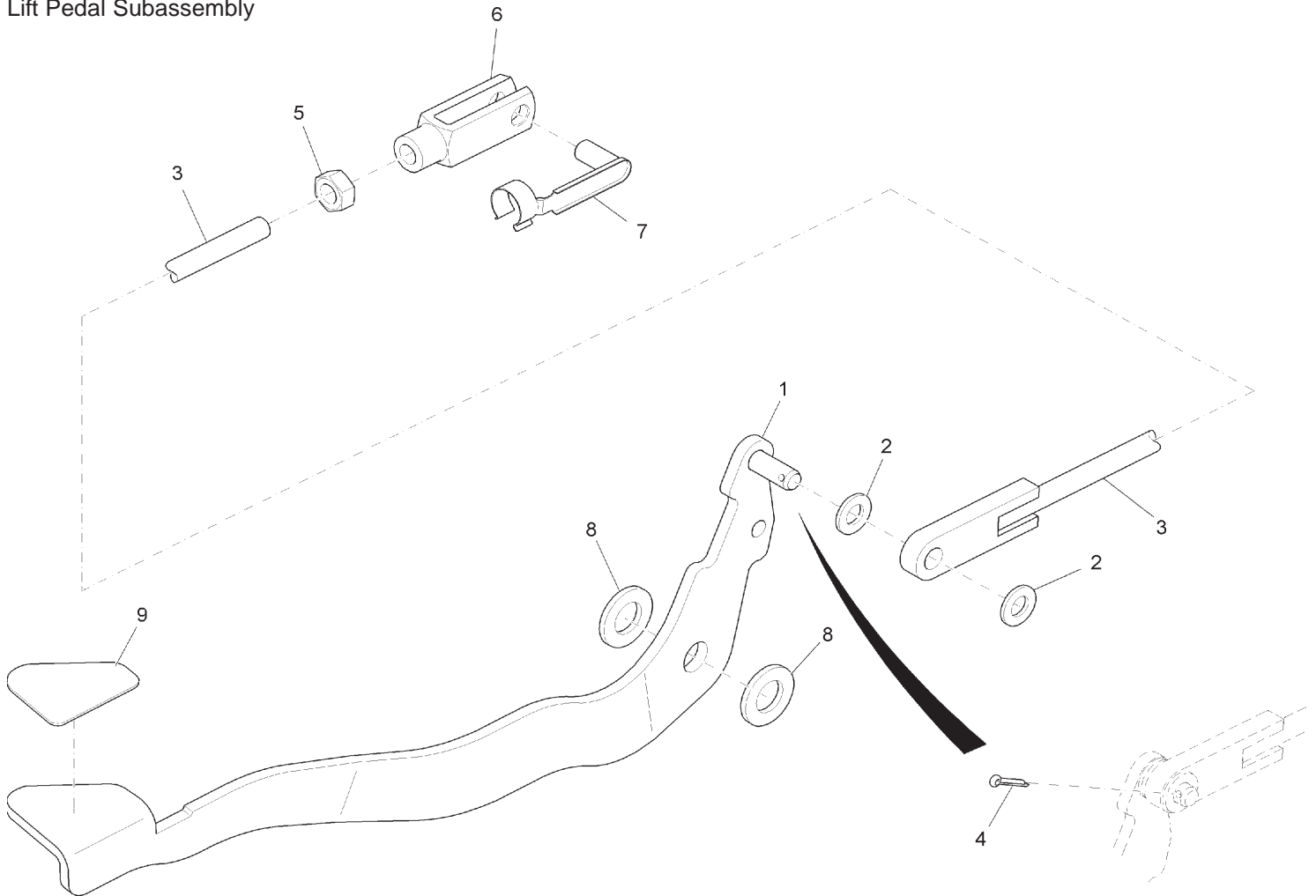
Chassis Assembly I



Bill of Material - 97094783-1

Item	Spare part number	Mat. No.	Qty.	Description	Note
1	01078440	90513367	1	Grommet	
2	03007640	96116405	1	Chassis	
3	01006820	11177128	2	Lens flange screw	
4	00042900	12332029	4	Washer	
5	01078450	12160024	2	Nut	
6	00047990	12515086	10	Disk wheel	
7	00053080	11038197	8	Hexagon screw	
8	01078140	11225620	1	Countersunk screw	
9	01077800	90509522	1	Bushing	
10	97093181		1	Lifting pedal	ITEM HAS SUBASSEMBLIES
11	00053790	12310082	1	Washer	
12	97093272		1	Brush pressure adjustment	ITEM HAS SUBASSEMBLIES
13	00053020	11038098	2	Hexagon screw	
14	01077780	90508391	1	Bushing	
15	01079680	96117387	1	Sheet metal	
16	00053730	12310033	4	Washer	
17	00051520	12040044	2	Hexagon nut	
18	00022180	11039088	2	Hex. bolt	
19	00553740	12310132	2	Washer	
20	01170010	90528787	1	Retainer	
21	00975510	90306002	1	Micro switch	
22	01074840	90471483	1	Thread base plate	
23	01143190	17526070	2	Cable clip	
24	00053100	11038247	2	Hexagon screw	
25	00553690	11038635	1	Hex. bolt	
26	01079670	90525692	2	Spacer sleeve	
27	00053010	11038072	2	Hex. bolt	

Chassis Assembly I
Lift Pedal Subassembly

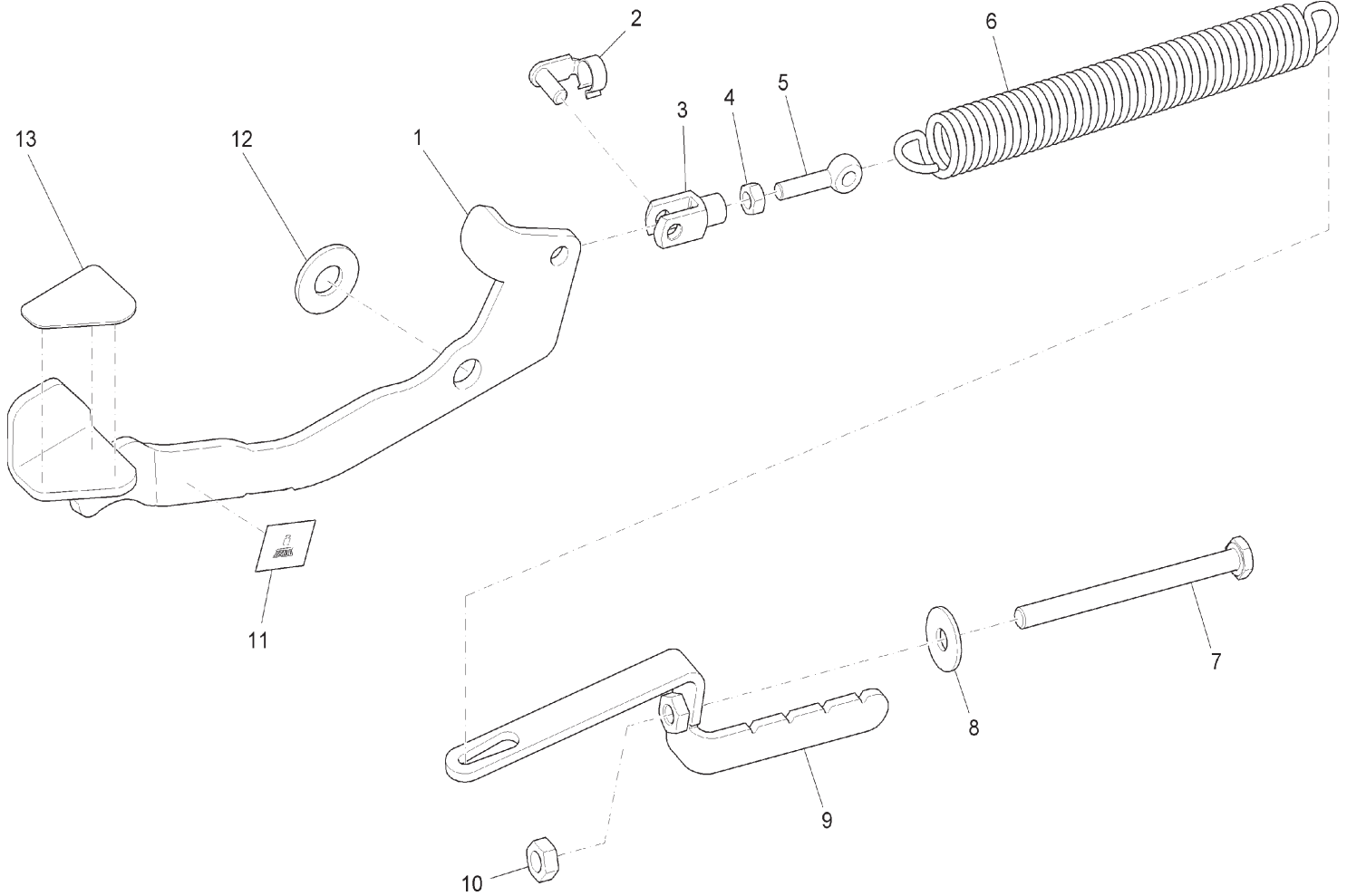


Bill of Material - 97093181

Item	Spare part number	Mat. No.	Qty.	Description
1	01170020	96117361	1	Lifting pedal
2	00053760	12310058	2	Washer
3	01077930	96111877	1	Rod
4	00551410	13280110	1	Cotter pin
5	00053360	12022067	1	Hexagon nut
6	00925430	16055063	1	Fork yoke
7	00925420	13390042	1	Bolt
8	01078240	90510017	2	Washer
9	01078560	90518580	1	Decal

Chassis Assembly I

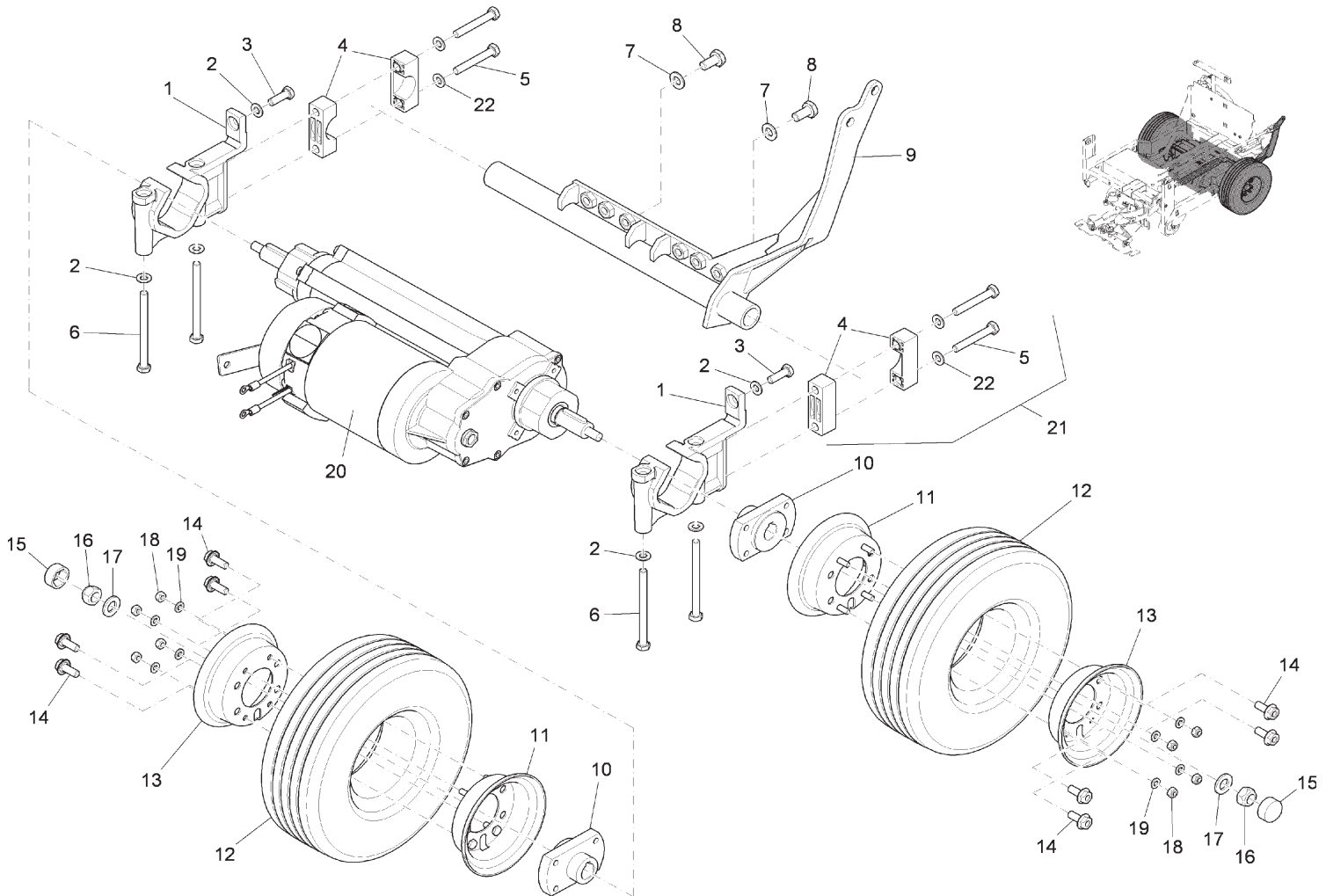
Brush pressure adjustment Subassembly



Bill of Material - 97093272

Item	Spare part number	Mat. No.	Qty.	Description
1	01078550	96113949	1	Pedal
2	00151400	13390059	1	Bolt
3	00151440	16055089	1	Fork yoke
4	00053350	12022059	1	Hexagon nut
5	00735690	11518180	1	Eye bolt
6	01077770	90504242	1	Tension spring
7	01031550	11039716	1	Hexagon screw
8	00046520	12332037	1	Washer
9	01078500	96111505	1	Sheet metal
10	00053360	12022067	1	Hexagon nut
11	01074580	17264870	1	Decal BRUSH PRESSURE
12	01078240	90510017	1	Washer
13	01078560	90518580	1	Decal

Chassis Assembly II

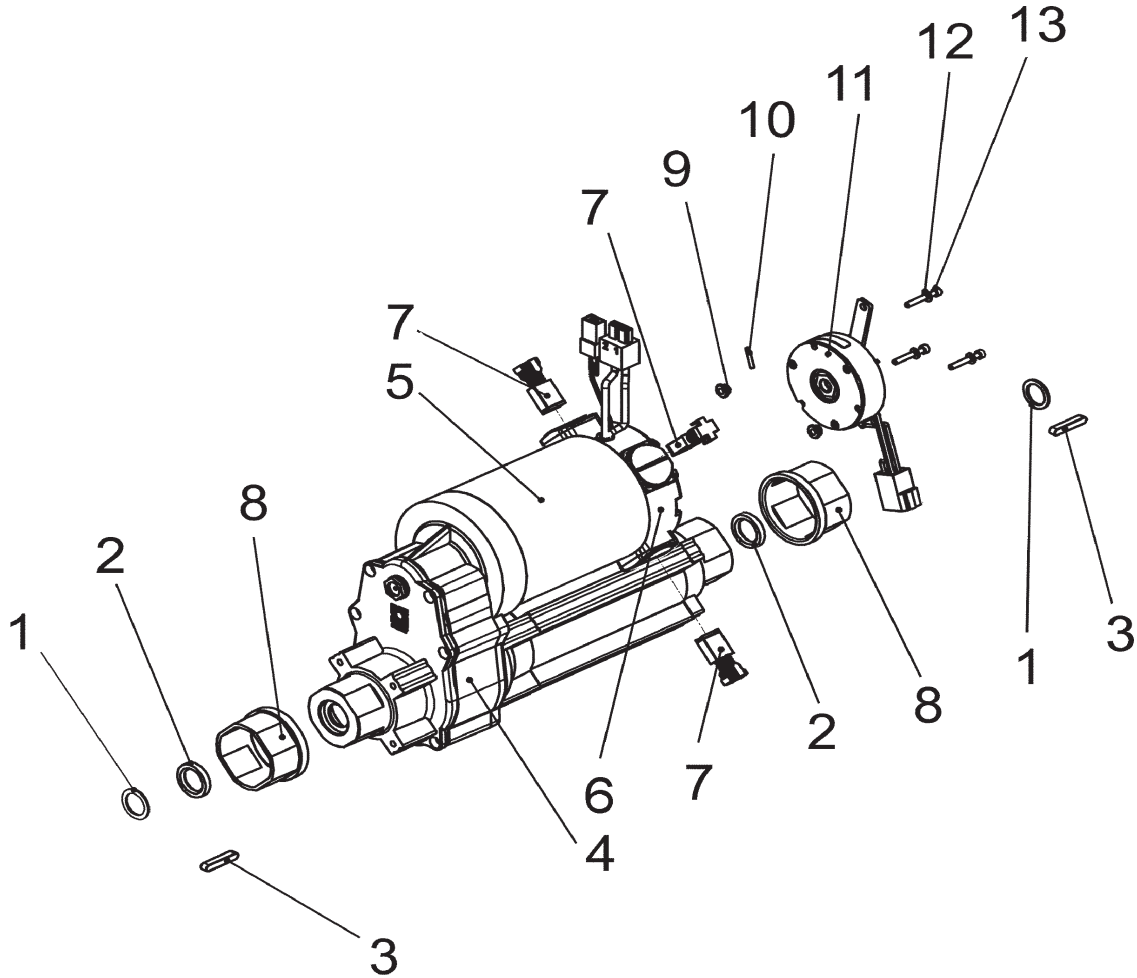


Bill of Material - 97094783-2

Item	Spare part number	Mat. No.	Qty.	Description	Note
1	01078480	90512062	2	Bearing AMER	
2	00053750	12310041	10	Washer	
3	00053100	11038247	1	Hexagon screw	
4	01078020	90547811	4	Block	from appr. march 2008; if you want to exchange older blocks, please order item 21
5	00053260	11038296	4	Hex.bolt	
6	00053140	11032273	4	Hex.bolt	
7	00053760	12310058	2	Washer	
8	00021130	11038353	2	Hex.bolt	
9	01078490	96116009	1	Lever	
10	01078010	90510116	2	Hub	
11	00621690	96057013	2	Rim half	
12	01056130	90398165	2	Tyre	
13	00621710	90251869	2	Rim	
14	00959310	11717022	8	Hex.bolt	
15	01031540	15592058	2	protection cap	
16	00051490	12040077	2	Hexagon nut	
17	00053770	12310066	2	Washer	
18	00051520	12040044	8	Hexagon nut	
19	00053730	12310033	8	Washer	
20	01171400	90539750	1	Traction drive B120	ITEM HAS SUBASSEMBLIES
21	00008980	97057814	1	Block	incl. items 4,5,22: please order kit, it's necessary to exchange all 4 blocks
22	00042900	12332029	4	Washer	

Chassis Assembly II

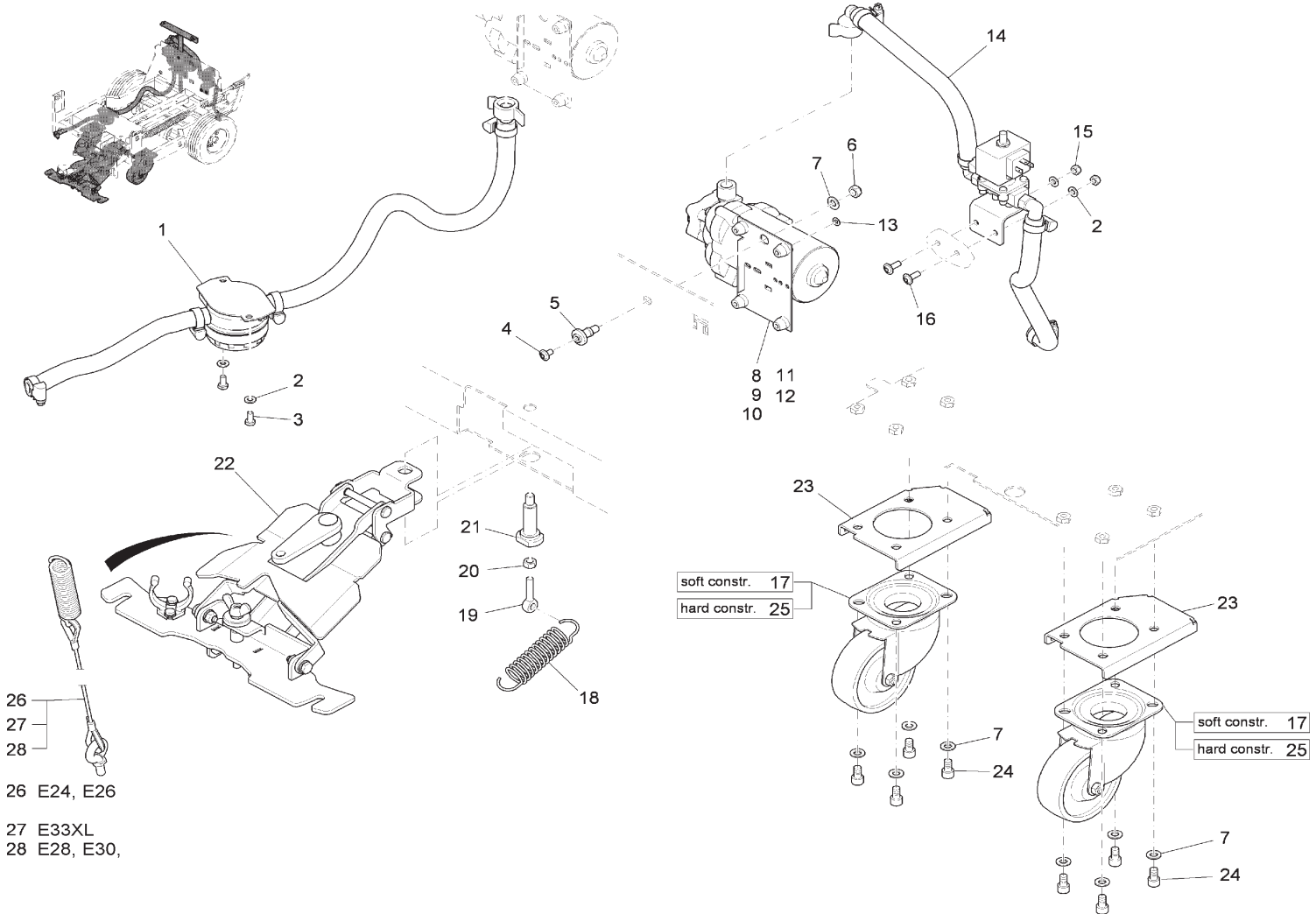
Traction Drive Motor Subassembly



Bill of Material - 01171400

Item	Spare part number	Mat. No.	Qty.	Description
1	01077430	01077430	2	Washer
2	XXXXXXXX		2	Gasket
3	01077410	01077410	2	Fitting key
4	XXXXXXXX		1	Gear box with shaft
5	XXXXXXXX		1	Motor
6	XXXXXXXX		1	End cap cpl
7	XXXXXXXX		4	Carbon brush
8	01077400	01077400	2	Bushing
9	01077380	01077380	4	Nut
10	XXXXXXXX		1	Spring pin
11	XXXXXXXX		1	Parking brake
12	XXXXXXXX		3	Plain washer
13	XXXXXXXX		3	Screw

Chassis Assembly III



Bill of Material - 97094783-3

Item	Spare part number	Mat. No.	Qty.	Description
1	97094981		1	Water supply
2	00053730	12310033	4	Washer
3	00104500	11038064	2	Hexagon screw
4	01072520	11177179	1	Lens flange screw
5	01077820	90513243	1	Bushing
6	00051510	12040051	1	Hexagon nut
7	00053750	12310041	9	Washer
8	00543750	90329095	1	Pump
9	00559670	19725035	1	Case
10	00083640	19791029	1	Plastic cover
11	00083650	19791037	1	Plastic cover
12	00903190	19724020	1	Tab
13	00053720	12310025	1	Washer
14	97094999		1	Water supply
15	00051520	12040044	2	Hexagon nut
16	01017640	11177060	2	Lens flange screw
17	01079660	90495037	2	Steering roller
18	01078150	90523333	1	Tension spring
19	00735690	11518180	1	Eye bolt
20	00046500	12012019	1	Hex. Nut
21	01077830	90513573	1	Pivot
22	03008100	97103568	1	Suction unit connection
23	XXXXXXXX	90540626	2	Sheet metal
24	00103300	11126067	8	Socket head screw
25	01079440	90537879	2	Steering roller
26	01077980	96112370	1	Linkage
27	01170560	96115456	1	Linkage
28	01170620	96117510	1	Linkage

Note
ITEM HAS SUBASSEMBLIES

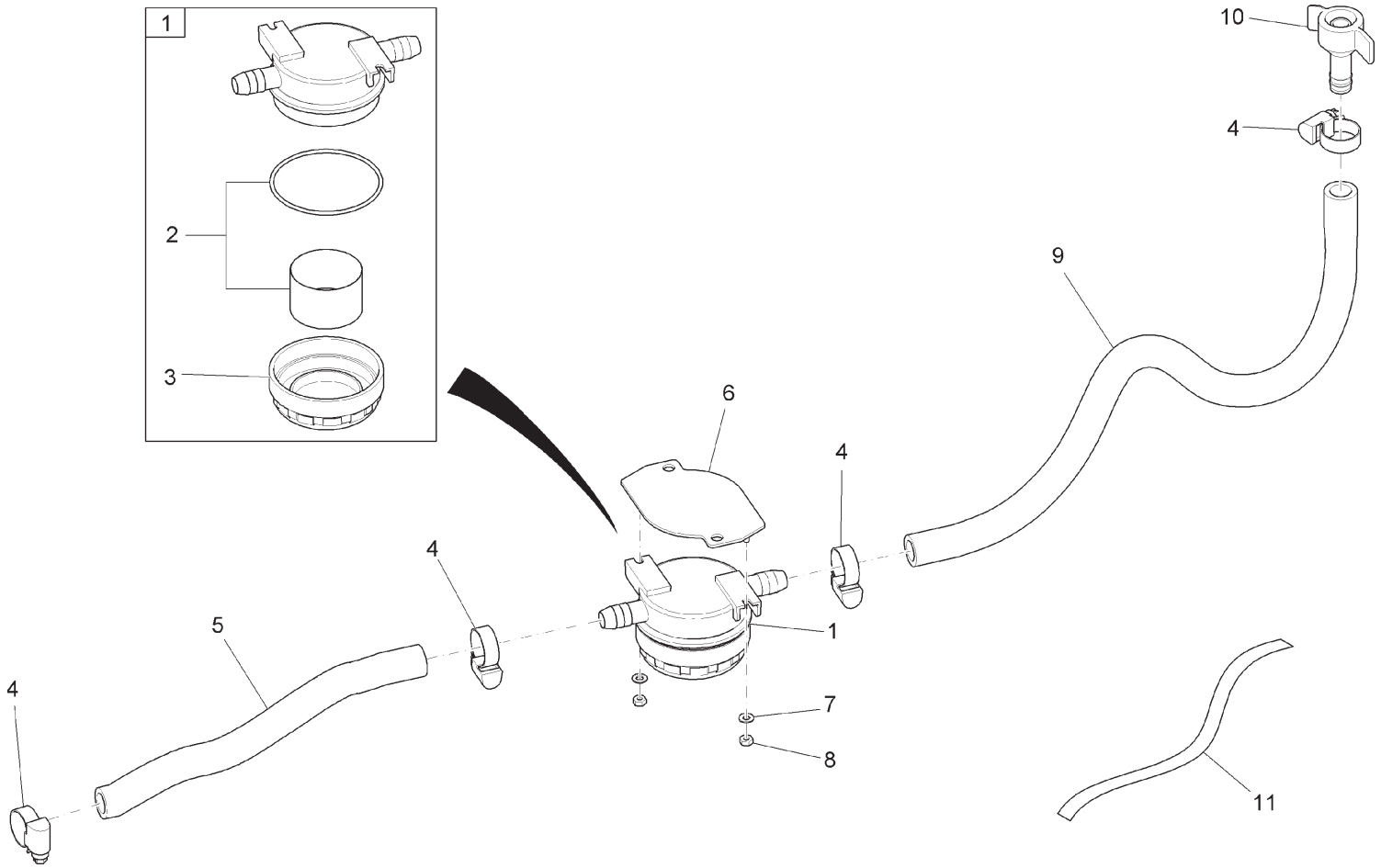
ITEM HAS SUBASSEMBLIES

Soft construction

ITEM HAS SUBASSEMBLIES (97099915-1+2; 03008100BT10+20)

Hard construction
with E24, E26
with E33XL
with E28, E30, E33

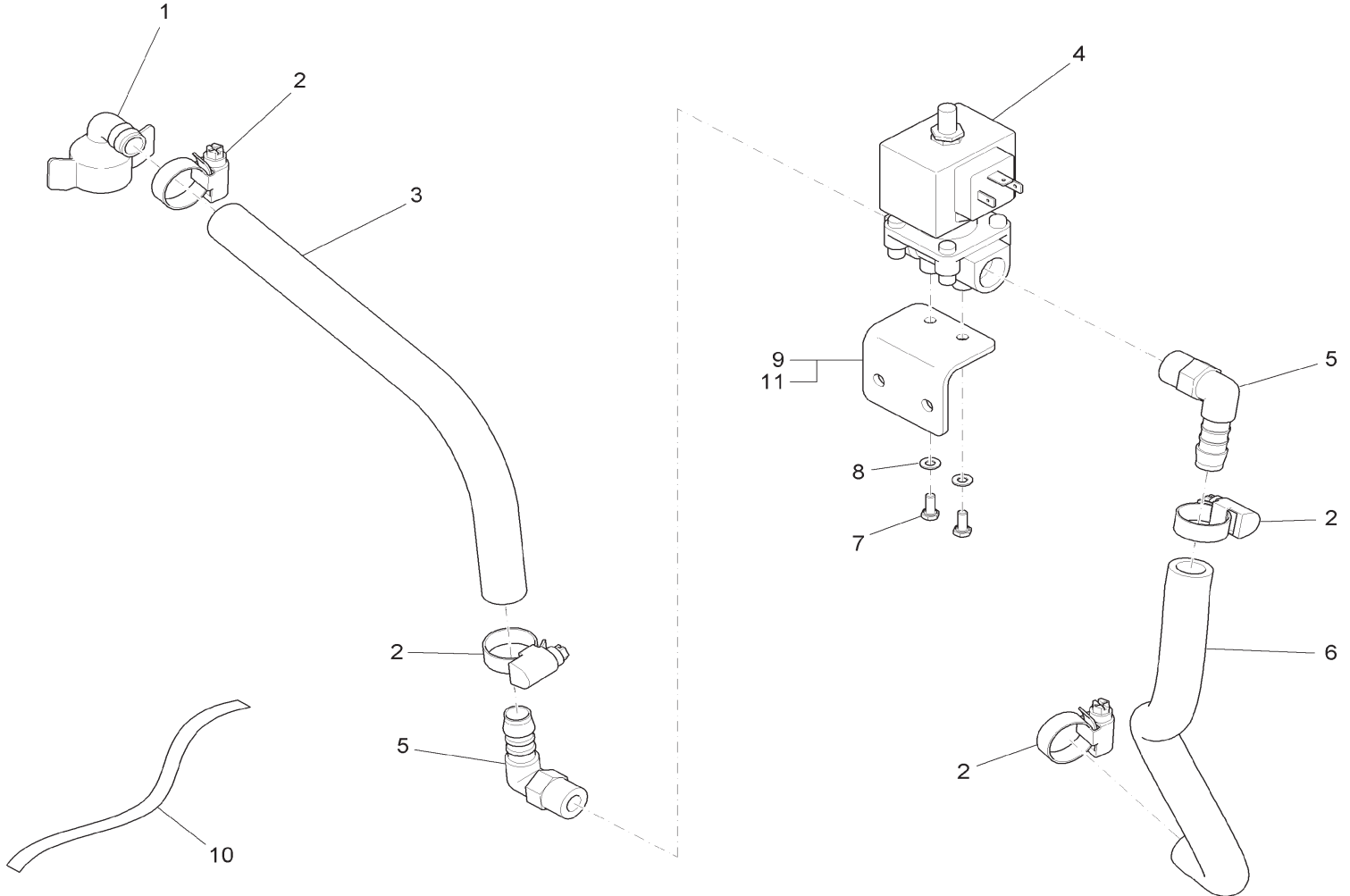
Chassis Assembly III
Water Supply Subassembly I



Bill of Material - 97094981

Item	Spare part number	Mat. No.	Qty.	Description	Note
1	01077170	90522640	1	Water filter	
2	01079170	01079170	1	filter cartridge	complete with o-ring
3	01076500	01076500	1	Screw cap	
4	01015350	17533159	4	Hose clamp	
5	00200170	25842055	300mm	PVC hose	
6	01078510	96115035	1	Sheet metal	
7	00053710	12310017	2	Washer	
8	00133830	12040028	2	Hex. Nut	
9	00200170	25842055	480mm	PVC hose	
10	01071450	90432071	1	Screwing	
11	03007630	25743014	1	Sealing band	

Chassis Assembly III
Water Supply Subassembly II

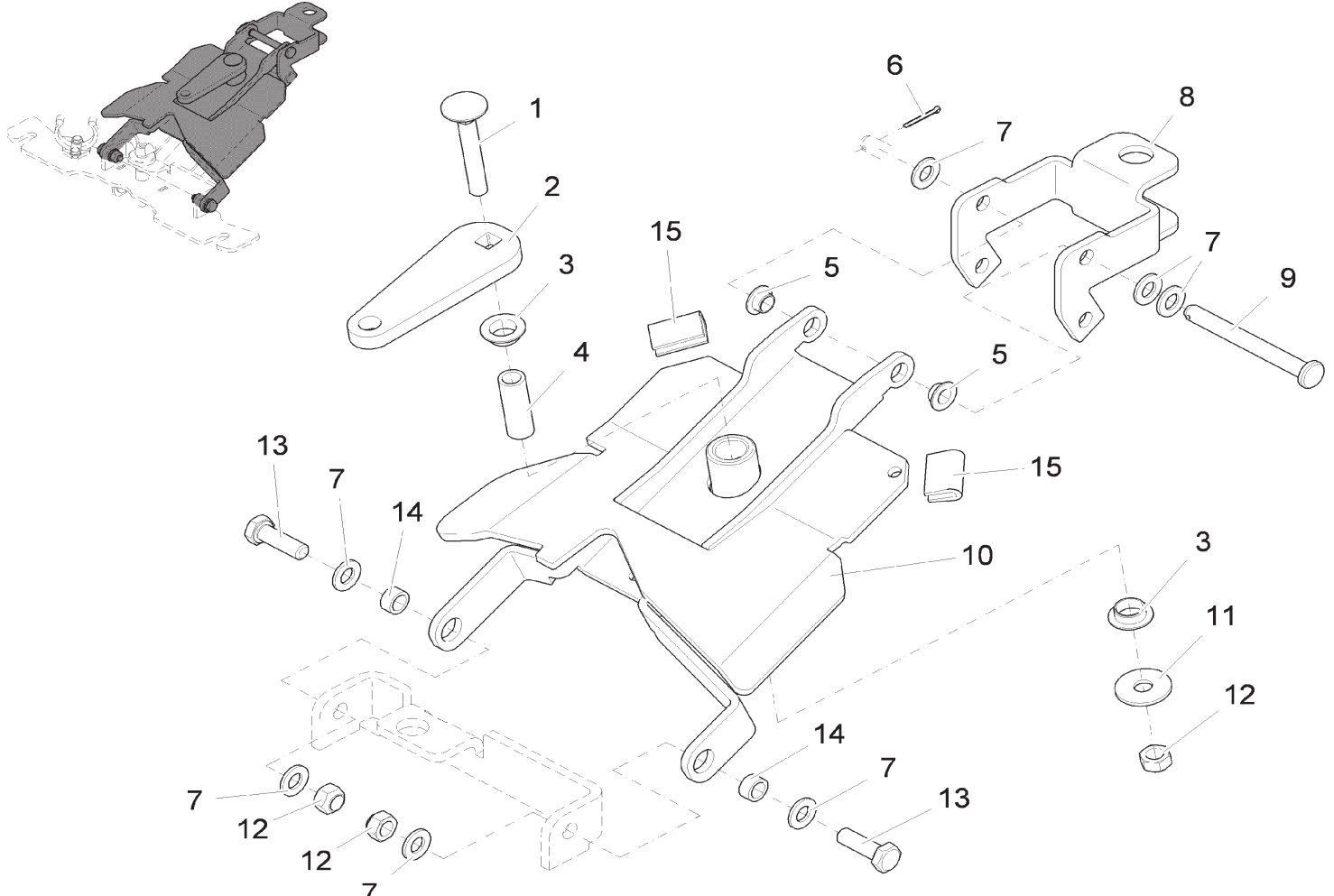


Bill of Material - 97094999

Item	Spare part number	Mat. No.	Qty.	Description
1	00154140	90330168	1	Screwed angle fitting
2	01015350	17533159	4	Hose clamp
3	00200170	25842055	1	PVC hose
4	01071000	90435595	1	Electrovalve
5	00020020	90174970	2	Angle socket
6	00200170	25842055	1	PVC hose
7	00058580	11038965	2	Hex.bolt
8	00053710	12310017	2	Washer
9	01170030	90524885	1	Retainer
10	03007630	25743014	1	Sealing band

Chassis Assembly III

Squeegee Connection Subassembly I

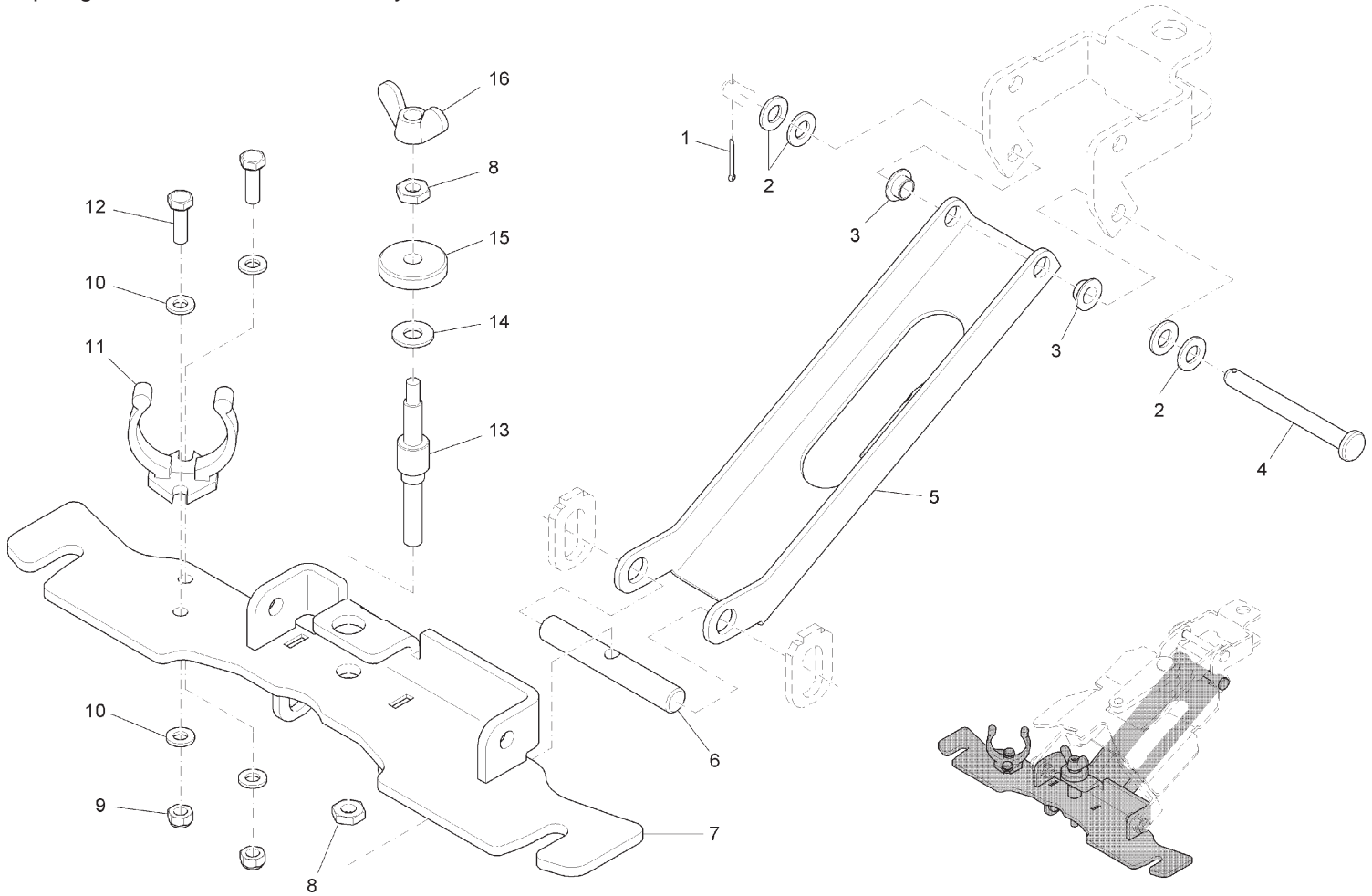


Bill of Material - 97099915-1 Squeegee connection (until appr. 15. Apr. 2008) part 1

Item	Spare part number	Qty.	Description
1	01130940	1	Cup head square neck bolt
2	01170040	1	Sheet metal
3	01077510	2	Slide bearing bush
4	01170160	1	Pipe
5	01078230	2	Slide bearing bush
6	00054860	1	Cotter pin
7	00053750	5	Washer
8	01079280	1	Round part
9	01078220	1	Bolt
10	01079290	1	Sheet metal
11	00042900	1	Washer
12	00051510	3	Hexagon nut
13	00053100	2	Hexagon screw
14	01077700	2	Bushing
15	00161240	1	Edge protection

Chassis Assembly III

Squeegee Connection Subassembly II

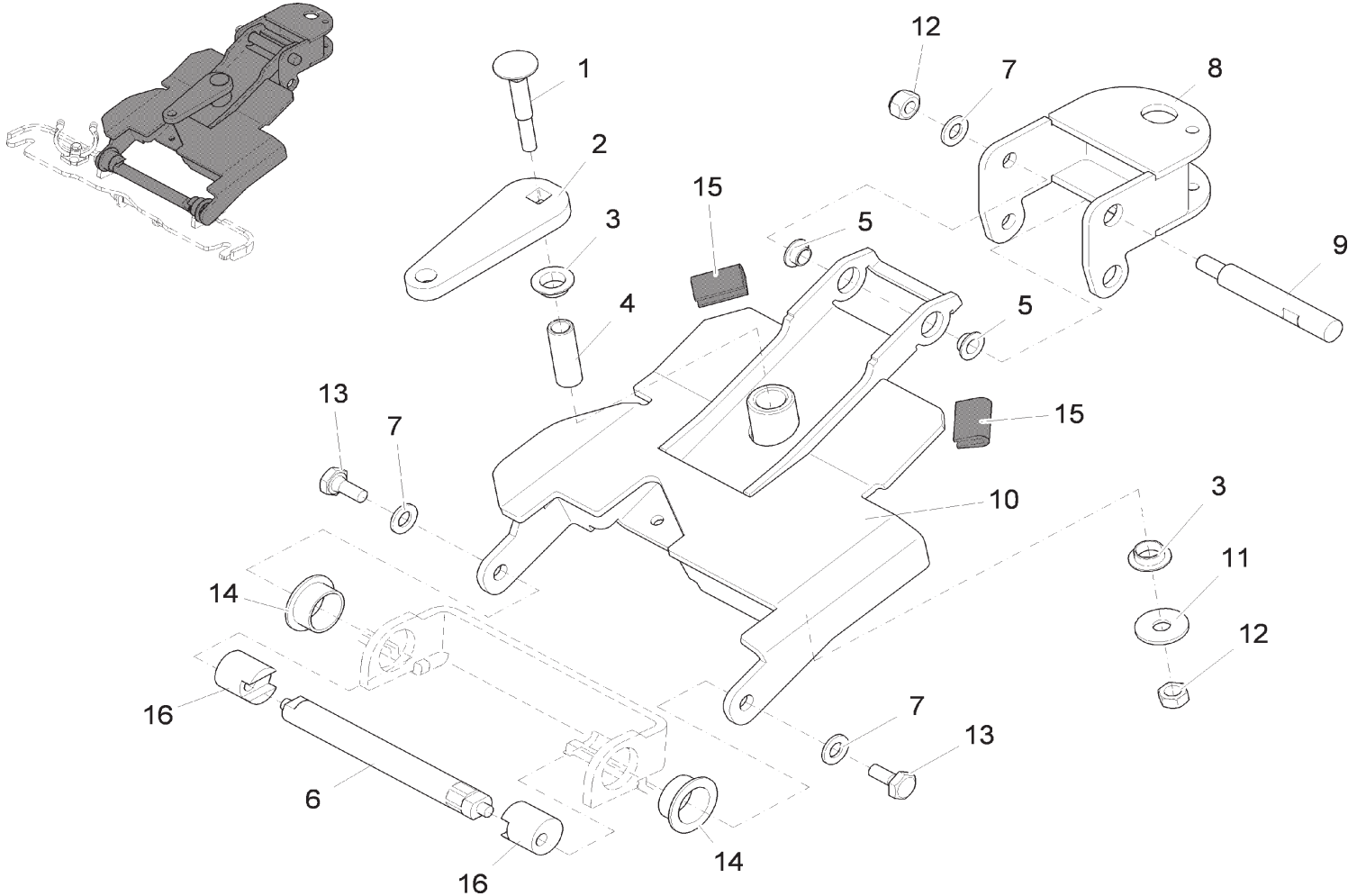


Bill of Material - 97099915-2 Squeegee connection (until appr. 15. Apr. 2008) part 2

Item	Spare part number	Qty.	Description
1	00054860	1	Cotter pin
2	00053750	1	Washer
3	01078230	2	Slide bearing bush
4	01170050	1	Bolt
5	01079320	1	Draft link
6	01077680	1	Bolt
7	01079330	1	Sheet metal
8	00046500	2	Hex. Nut
9	00051520	2	Hexagon nut
10	00053730	4	Washer
11	01078120	1	Hose support
12	00053020	2	Hexagon screw
13	01077850	1	Threaded pin
14	00042900	1	Washer
15	00051510	1	Hexagon nut
16	00054020	1	Wing nut
17	00053330	1	Hexagon nut

Chassis Assembly III

Squeegee Connection Subassembly I

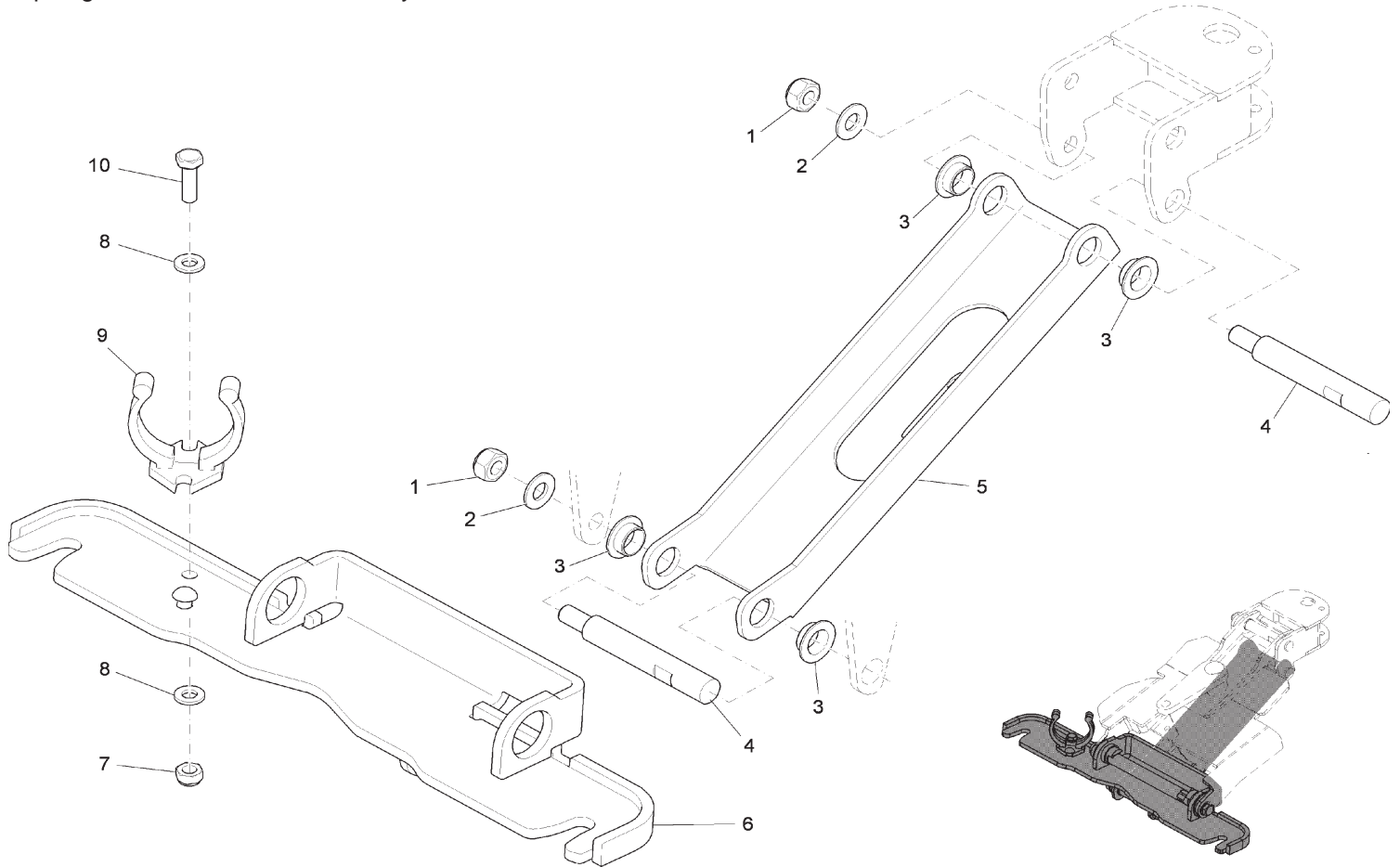


Bill of Material - 03008100BT10 Squeegee connection (from appr. 15. Apr. 2008) part 1

Item	Spare part number	Qty.	Description
1	01130940	1	Cup head square neck bolt
2	01170040	1	Sheet metal
3	01077510	2	Slide bearing bush
4	XXXXXXXXXX	1	no part-No. til yet
5	01171330	2	Slide bearing bush
6	01171360	1	Shaft
7	00101550	3	Washer
8	01171290	1	Round part
9	XXXXXXXXXX	3	no part-No. til yet
10	01171300	1	Sheet metal
11	00042900	1	Washer
12	00101540	4	Hexagon nut
13	01071740	2	Hex.bolt
14	01130470	2	Slide bearing bush
15	00161240	60mm	Edge protection
16	01171370	2	Excentric

Chassis Assembly III

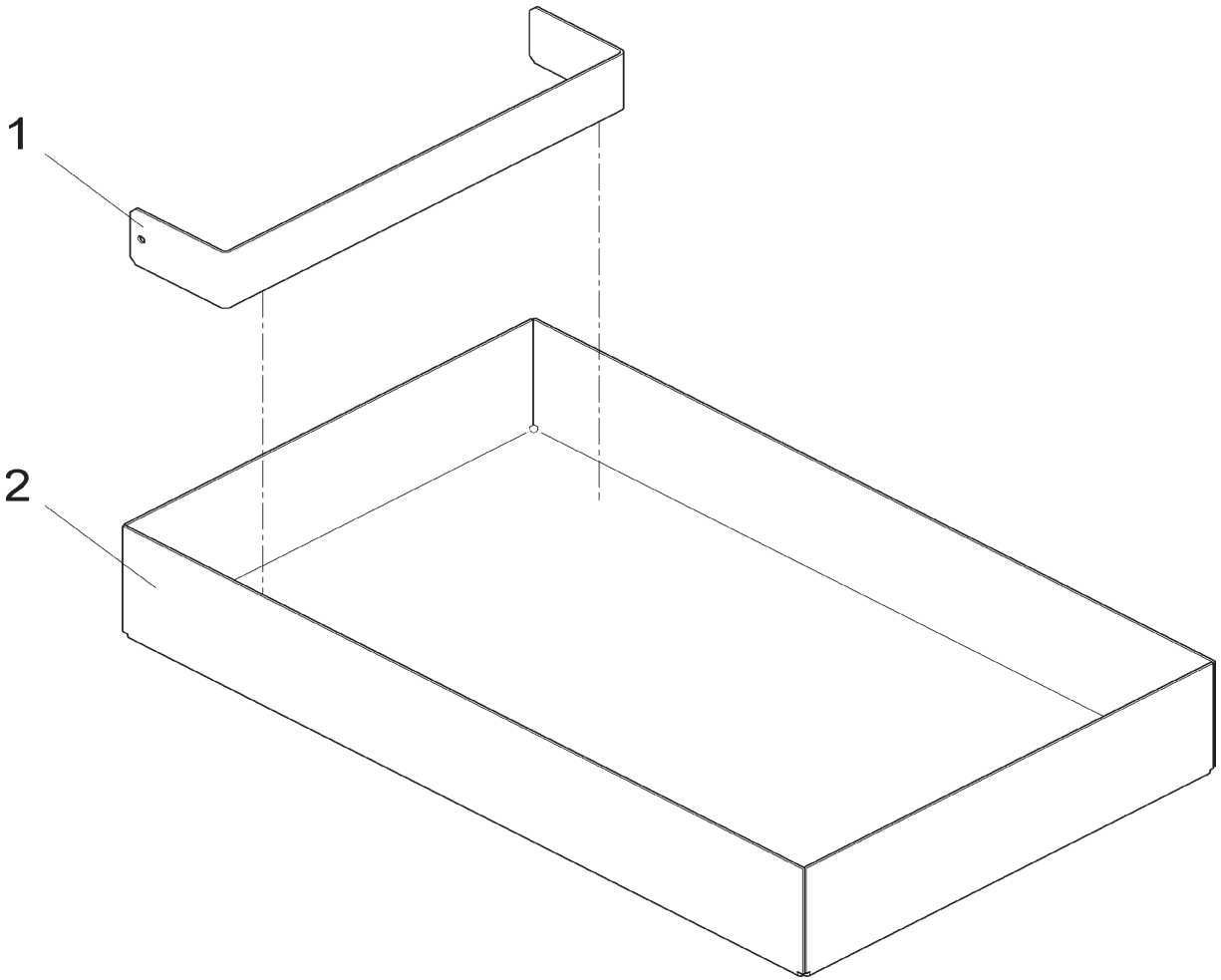
Squeegee Connection Subassembly II



Bill of Material - 03008100BT20 Squeegee connection (from appr. 15. Apr. 2008) part 2

Item	Spare part number	Qty.	Description
1	00101540	2	Hexagon nut
2	00101550	2	Washer
3	01171330	2	Slide bearing bush
4	XXXXXXXX	3	Threaded bolt
5	01171280	1	Draft link
6	01171310	1	Sheet metal
7	00051520	1	Hexagon nut
8	00053730	2	Washer
9	01078120	1	Hose support
10	00053020	1	Hexagon screw

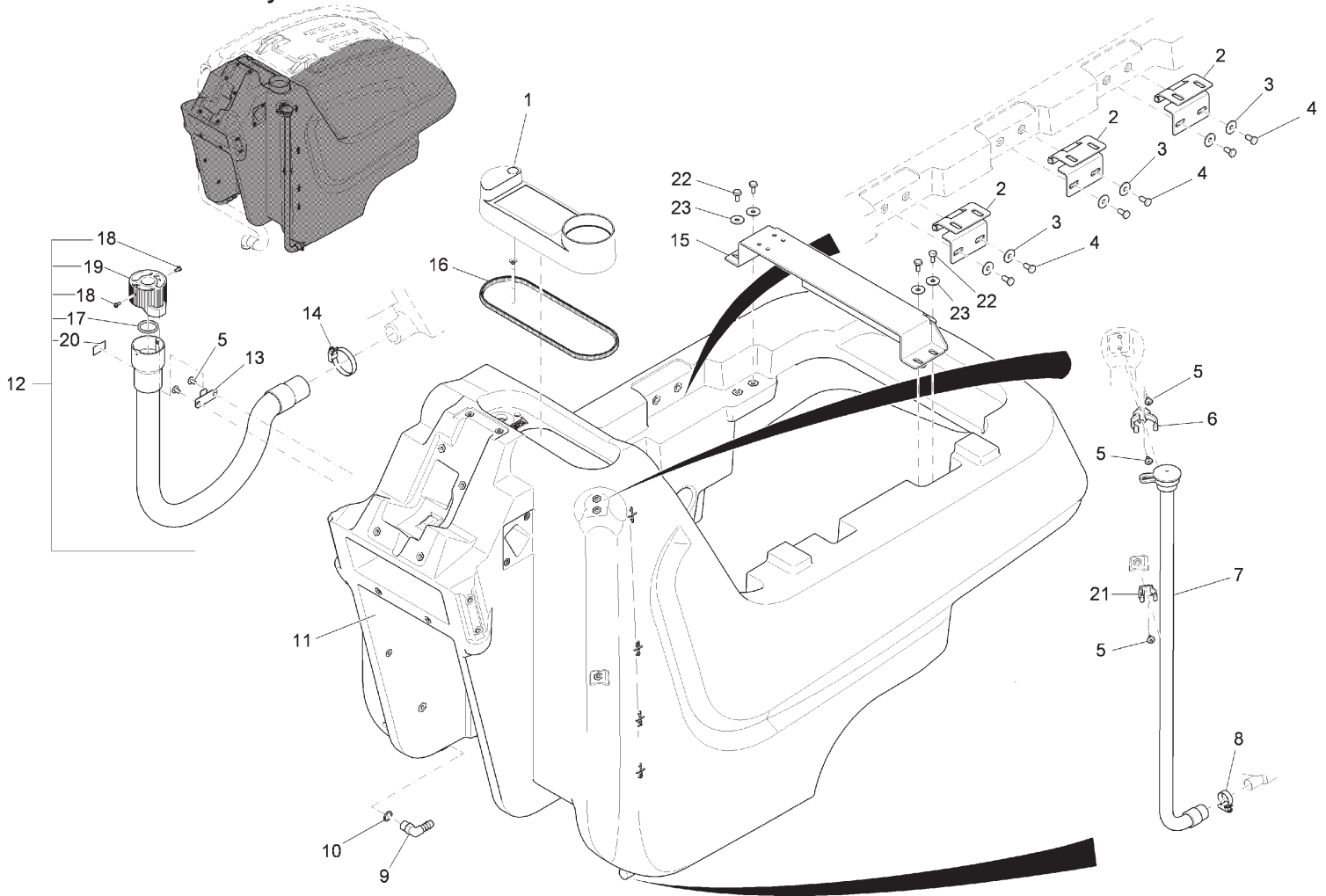
Battery Tray Assembly



Bill of Material - 97099956

Item	Spare part number	Mat. No.	Qty.	Description
1	01170760	90535360	1	Sheet metal
2	03008190	96117171	1	Battery tray

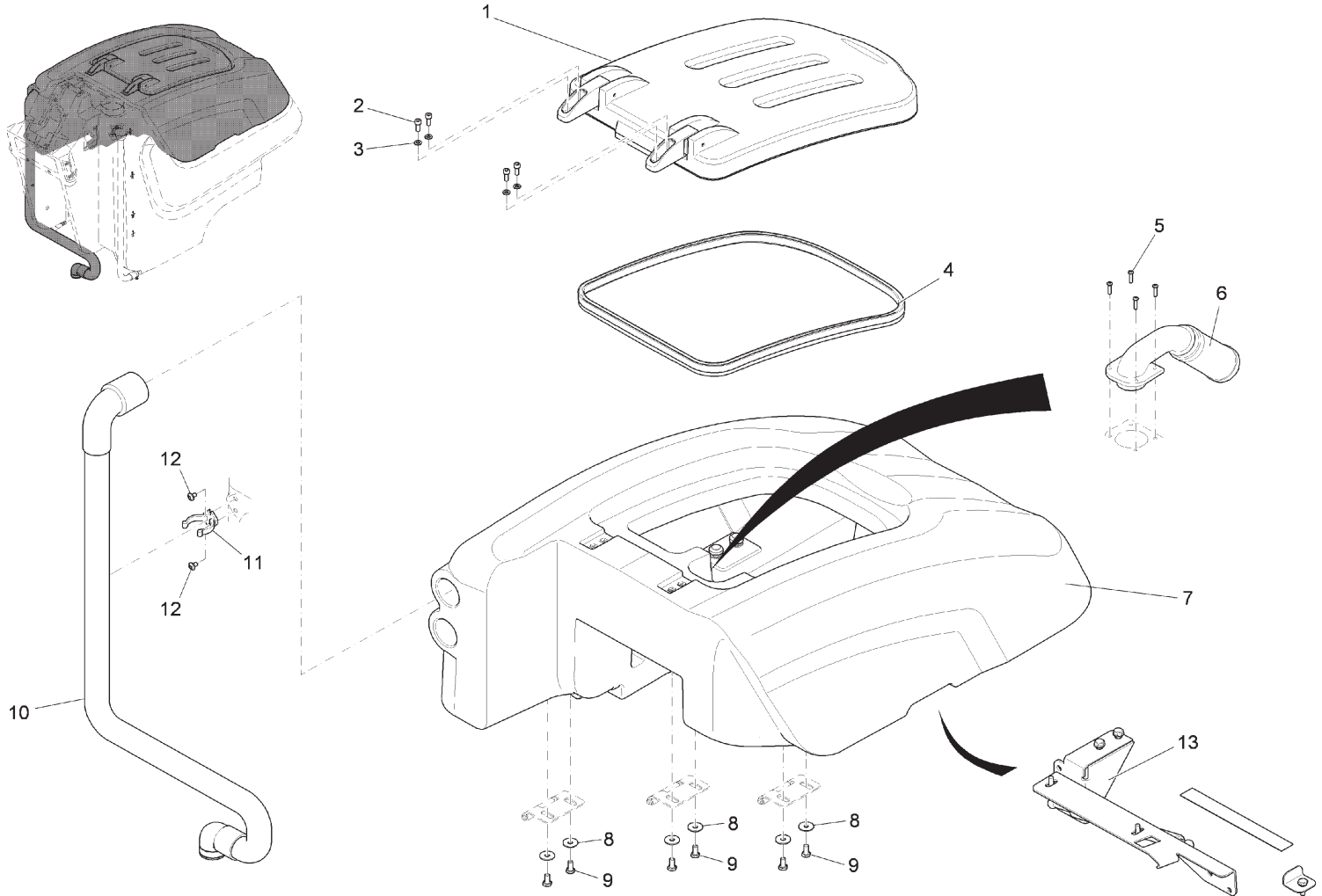
Solution Tank Assembly



Bill of Material - 97102628-1

Item	Spare part number	Mat. No.	Qty.	Description
1	01078100	96114061	1	Fresh water cap
2	01078110	90496910	3	Hinge
3	00047990	12515086	6	Disk wheel
4	01071740	11039609	6	Hex.bolt
5	01072520	11177179	5	Lens flange screw
6	01078120	90503251	1	Hose support
7	01170530	96110622	1	Hose
8	01161690	17533290	1	Clamp
9	00020020	90174970	1	Angle socket
10	00057720	15286149	1	O-ring oil resistant
11	XXXXXXXX	96116355	1	Solution tank
12	01077960	97090096	1	Foul water hose
13	01077860	90517574	1	Hook
14	00751160	17533043	1	Hose clamp
15	XXXXXXXX	96118930	1	Traverse
16	00721090	25583022	710mm	Edge protection
17	01079300	15282072	1	O-Ring
18	00906100	11175395	2	Fillister-head screw
19	00906110	90304528	1	Cover
20	01170060	17264888	1	Decal FOUL WATER
21	XXXXXXXX	90538570	1	Hose support
22	00053080	11038197	4	Hexagon screw
23	00042900	12332029	4	Washer

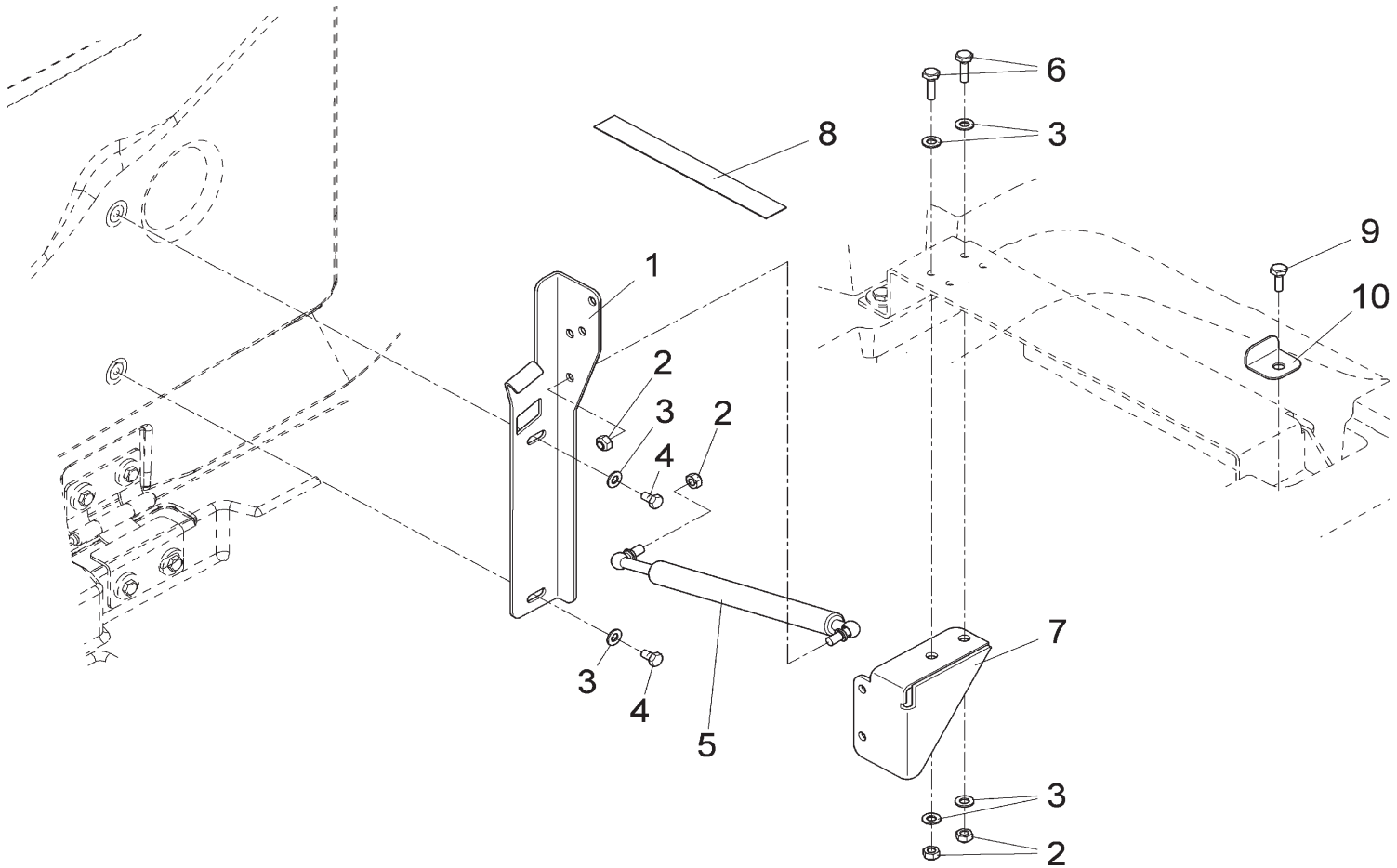
Recovery Tank Assembly



Bill of Material - 97102628-2

Item	Spare part number	Mat. No.	Qty.	Description	Note
1	01077990	97092951	1	Cover	
2	00136910	11126166	4	Cylinder head screw	
3	00053730	12310033	4	Washer	
4	01071770	25510512	1	Sealing profile	
5	01078160	11709151	4	Screw	
6	01078250	97093843	1	Filter unit	
7	XXXXXXXX	96118906	1	Dirt container	
8	00047990	12515086	6	Disk wheel	
9	01071740	11039609	6	Hex.bolt	
10	XXXXXXXX	96120886	1	Suction hose	
11	01078120	90503251	1	Hose support	
12	01072520	11177179	2	Lens flange screw	
13	97101653		1	Lifting device	ITEM HAS SUBASSEMBLIES

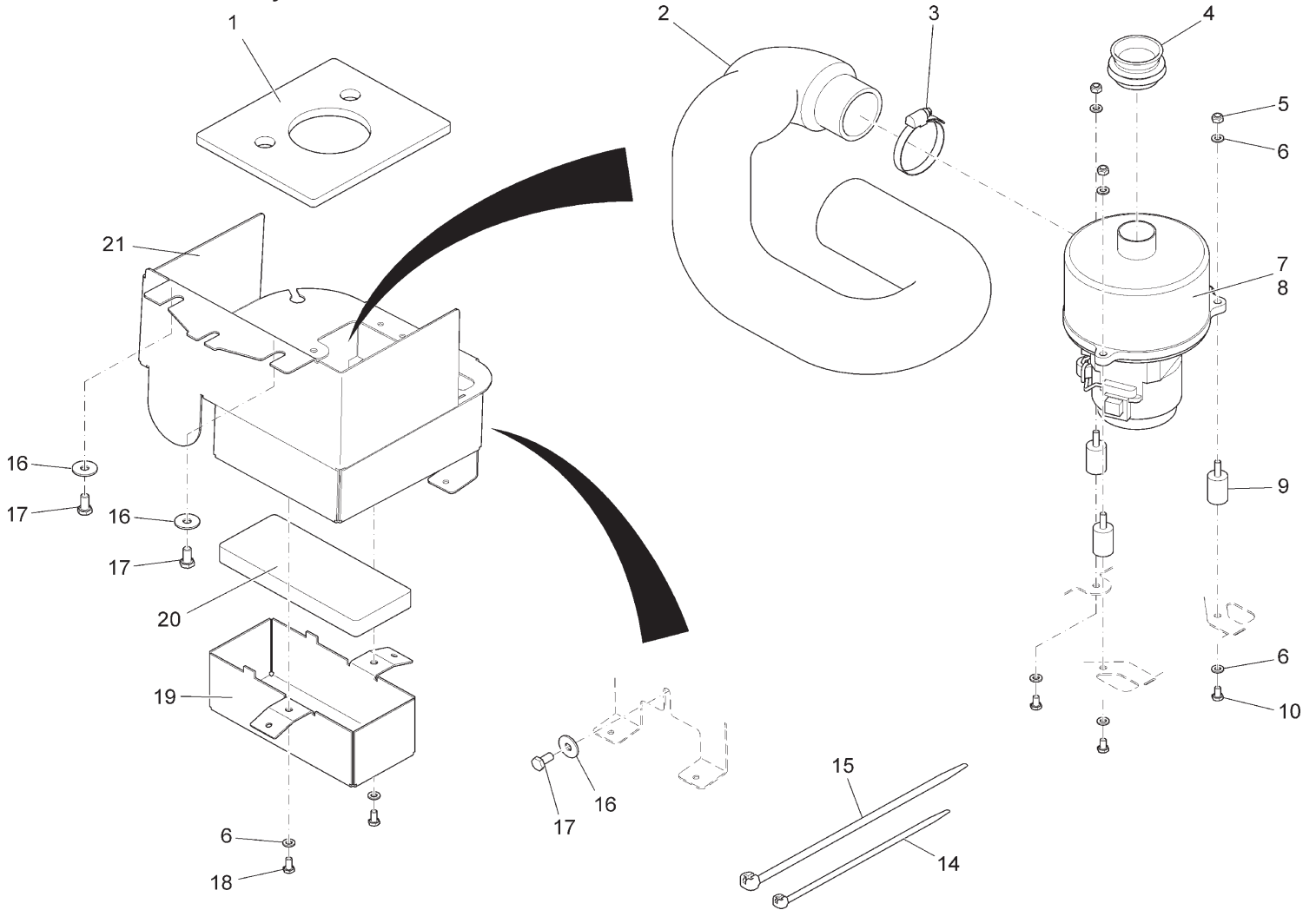
Recovery Tank Assembly
Lifting Device Subassembly



Bill of Material - 97101653

Item	Spare part number	Mat. No.	Qty.	Description
1	XXXXXXXX	90540667	1	Angle
2	00051510	12040051	4	Hexagon nut
3	00053750	12310041	6	Washer
4	00053080	11038197	2	Hexagon screw
5	XXXXXXXX	90541624	1	Gas pressurized spring
6	00053100	11038247	2	Hexagon screw
7	XXXXXXXX	90538612	1	Retainer
8	01055740	90370792	1	Belt
9	00053090	11038213	1	Hexagon screw
10	XXXXXXXX	90540642	1	Angle

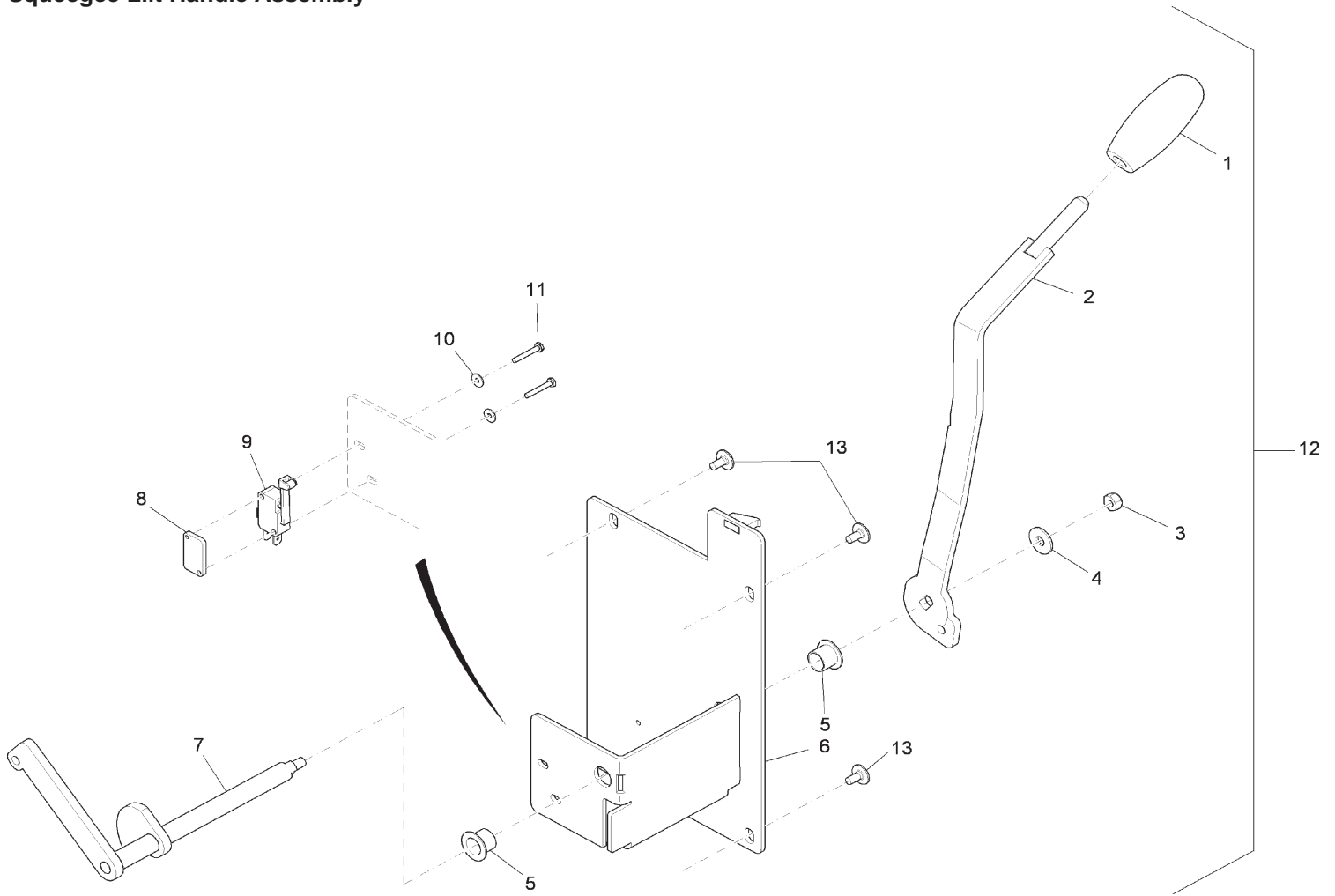
Vacuum Motor Assembly



Bill of Material - 97092811

Item	Spare part number	Mat. No.	Qty.	Description
1	01079740	90523945	1	Insulation mat
2	01077900	90519737	1	Hose
3	00732130	17533027	1	Hose clamp
4	01078180	90503657	1	Connection
5	00051520	12040044	3	Hexagon nut
6	00053730	12310033	8	Washer
7	01079350	97096200	1	Suction motor
8	01074610	01074610	4	Carbon brush
9	01078190	90518457	3	Buffer
10	00025260	11038056	3	Hexagon screw
14	00121150	90114810	1	Cable tie
15	00967760	90156688	4	Cable tie
16	00042900	12332029	3	Washer
17	00053080	11038197	3	Hexagon screw
18	00104500	11038064	2	Hexagon screw
19	01079750	90519653	1	Cover
20	01079730	90519745	1	Insulation mat
21	03007810	96114301	1	Sheet metal

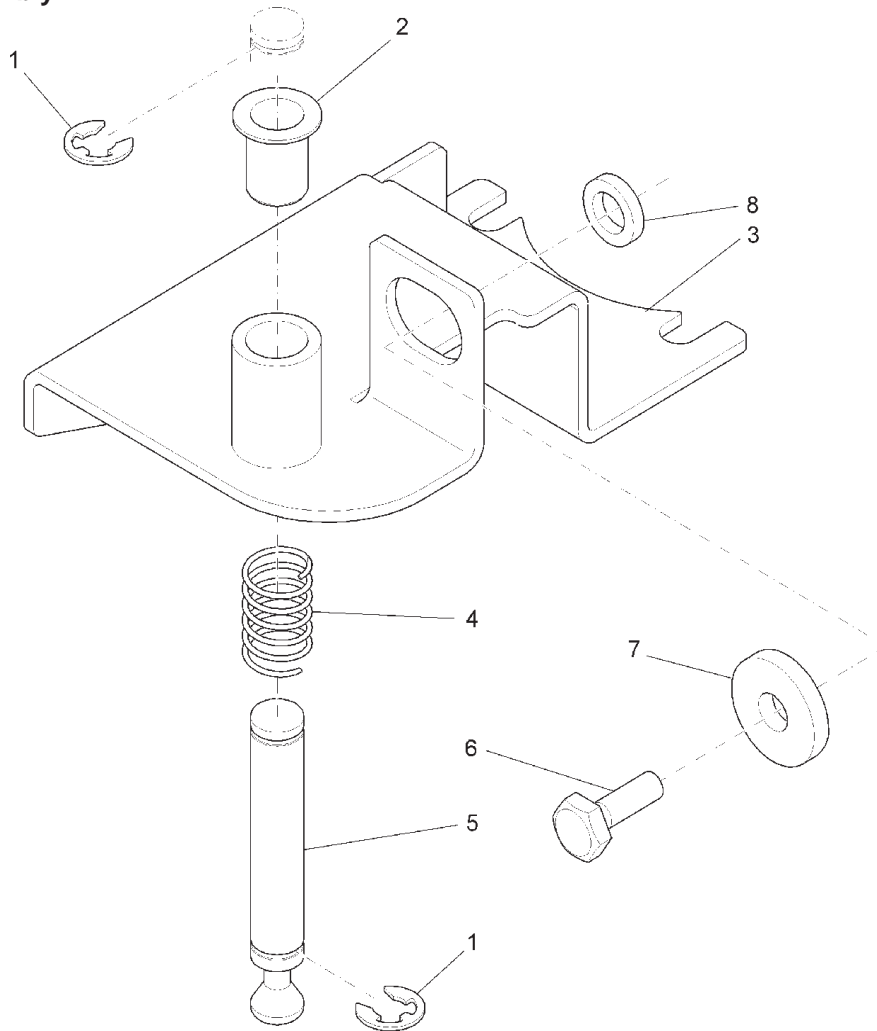
Squeegee Lift Handle Assembly



Bill of Material - 97102479

Item	Spare part number	Mat. No.	Qty.	Description
1	00705560	17143025	1	Handle
2	01079160	96117825	1	Lever
3	00051520	12040044	1	Hexagon nut
4	00135120	12332011	1	Washer
5	01071440	14895288	2	Plain bearing bush
6	01079710	96110804	1	Support plate
7	01079720	96110705	1	Shaft with cam
8	01074840	90471483	1	Thread base plate
9	00975510	90306002	1	Micro switch
10	00747400	12332110	2	Washer
11	00022180	11039088	2	Hex.bolt
12	00009000	97092340	1	Lifting suction unit
13	01072520	11177179	4	Lens flange screw

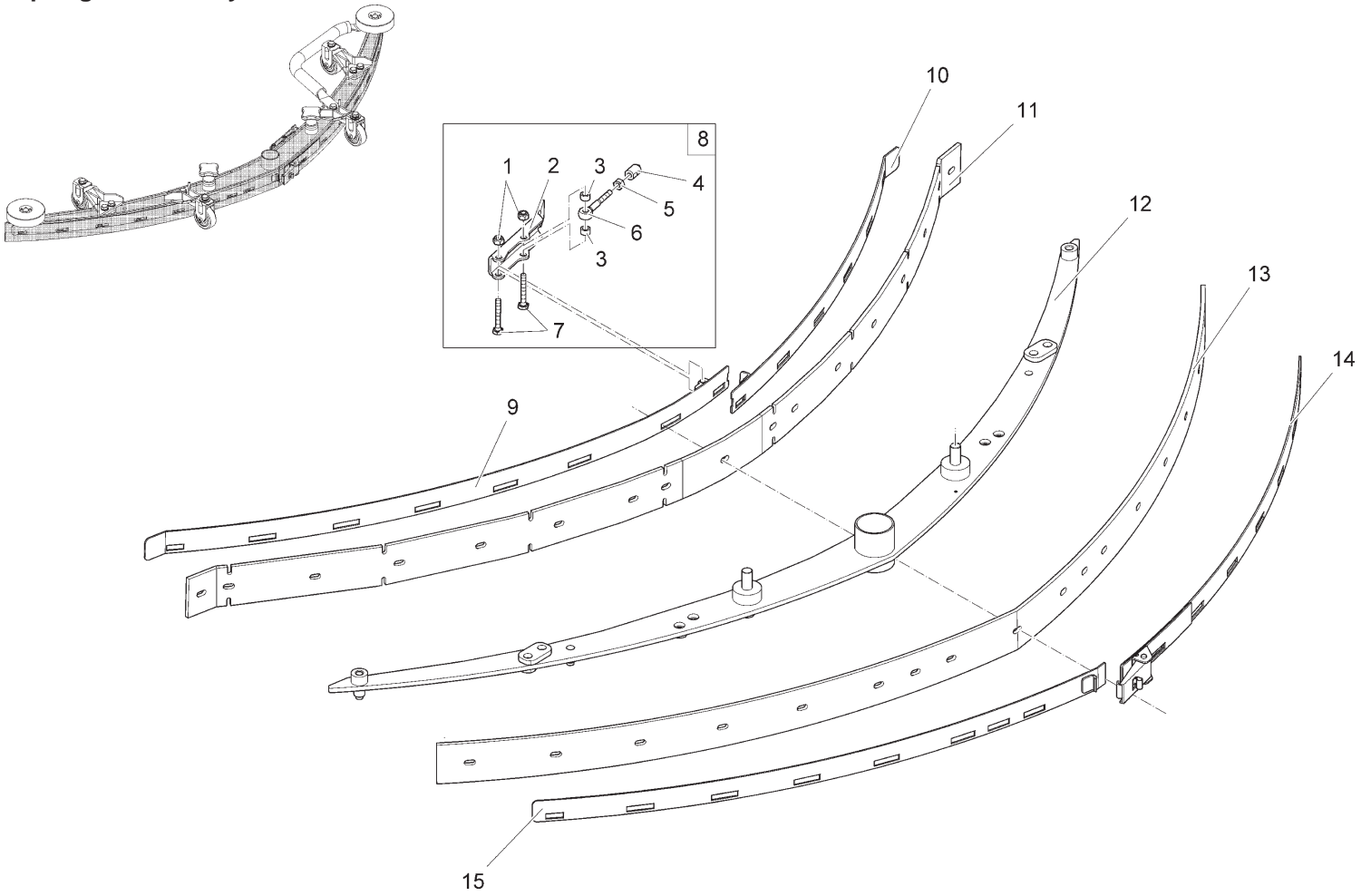
Squeegee Lock Assembly



Bill of Material - 9709931

Item	Spare part number	Mat. No.	Qty.	Description
1	00046280	12640033	2	Thrust washer
2	00041400	14895122	1	Plain bearing bush
3	01170730	96115076	1	Folding plate
4	01170280	90523325	1	Cyl.compression spring
5	01170270	90523036	1	Pin
6	00053090	11038213	1	Hexagon screw
7	00047990	12515086	1	Disk wheel
8	01079670	90525692	1	Spacer sleeve

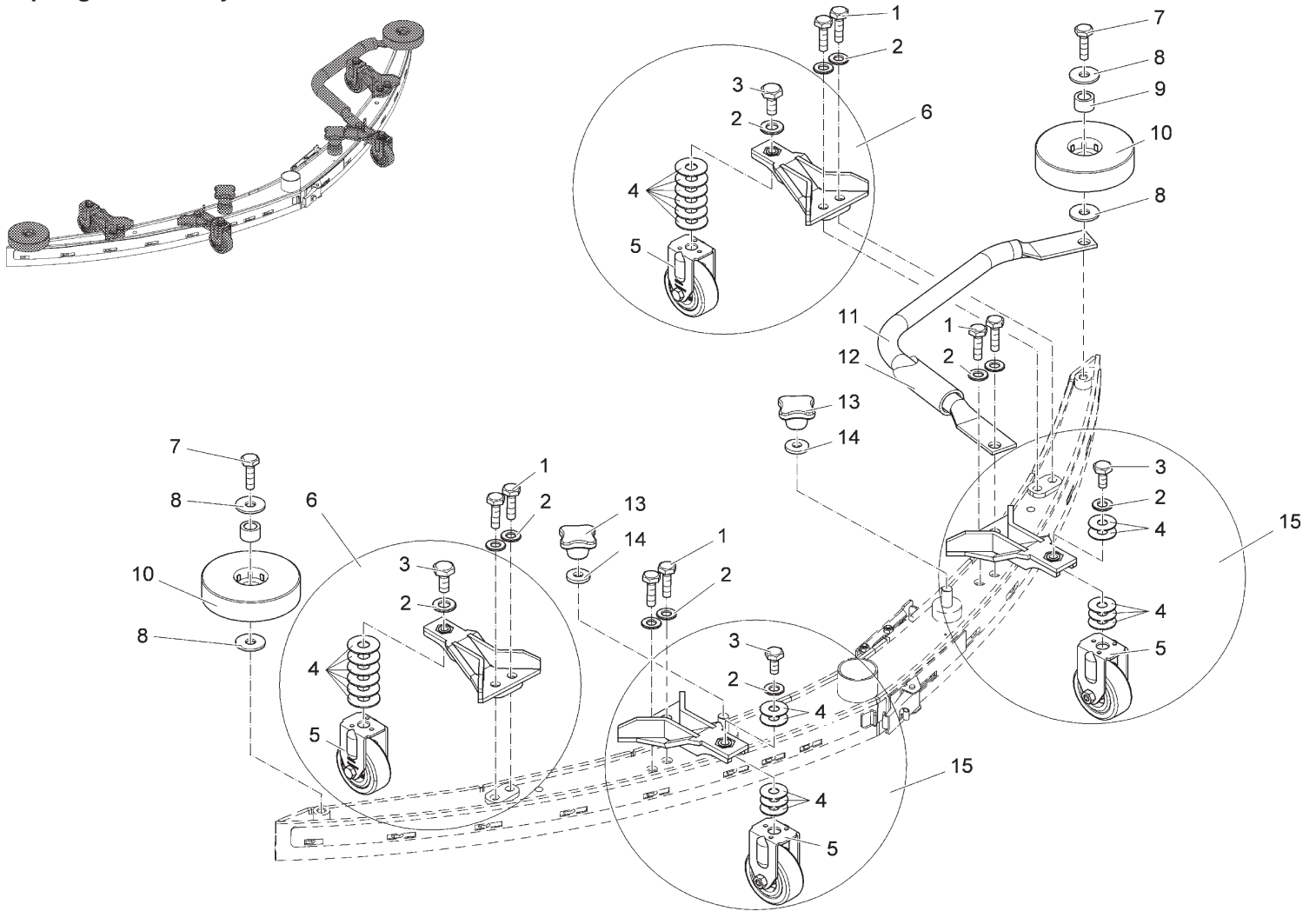
Squeegee Assembly I



Bill of Material - 97096234-1

Item	Spare part number	Mat. No.	Qty.	Description
1	01017660	12040283	2	Hex. Nut
2	01077580	90535758	1	Lever
3	01077590	90514506	2	Bushing
4	01078090	90513631	1	Pressure piece
5	00902250	12022430	1	Hex. Nut
6	01077500	11518313	1	Eye bolt
7	01079890	11039765	2	Hexagon screw
8	00009010	97057459	1	Lock suction unit
9	01079880	96114830	1	Front tension band
10	01079870	96114822	1	Front tension band
11	01079790	90522251	1	Slot strip
12	01079900	96114814	1	Suction unit 1110mm
13	01079780	90522269	1	Sealing strip
14	01079910	96114855	1	Rear tension band
15	01079920	96114848	1	Rear tension band

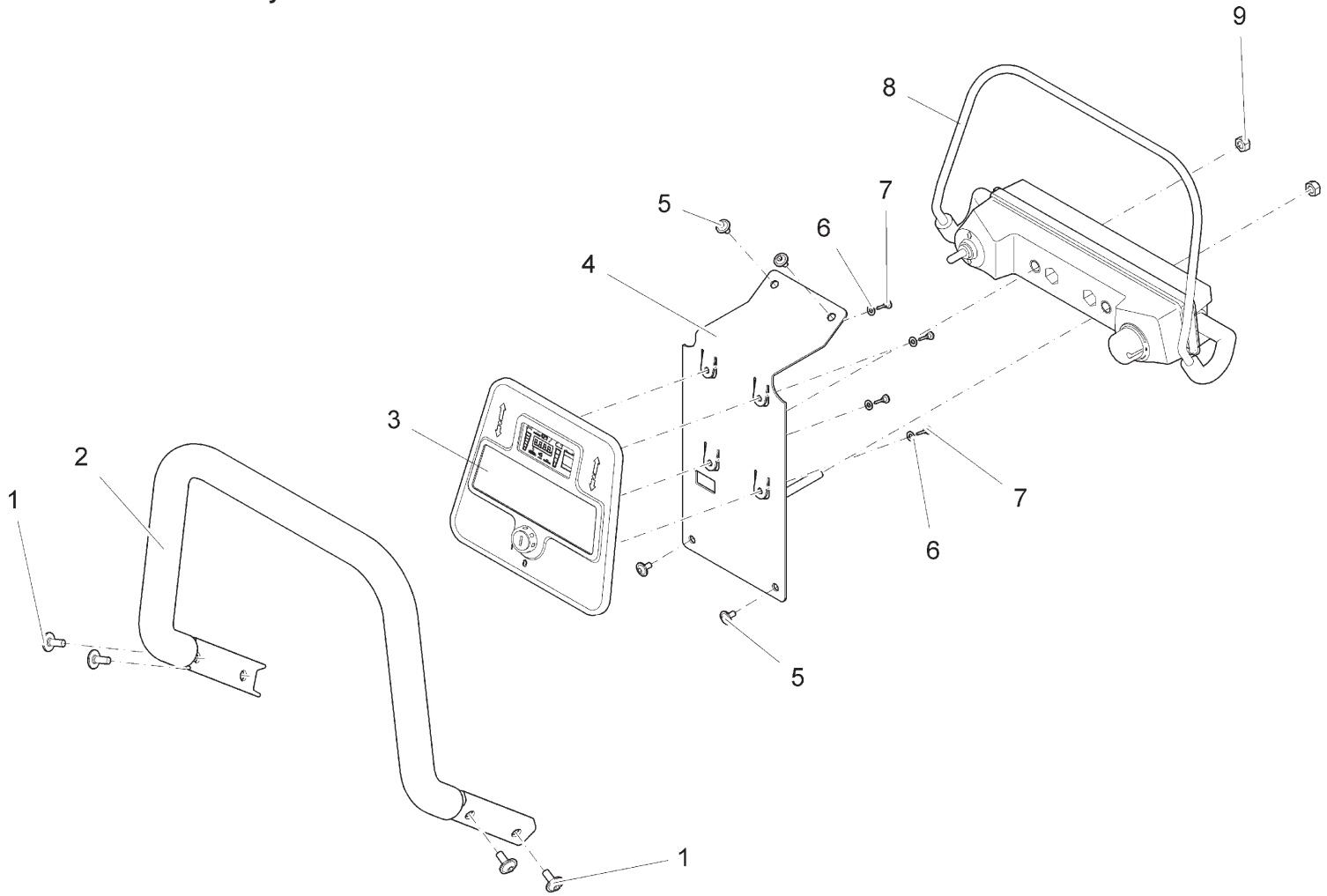
Squeegee Assembly II



Bill of Material - 97096234-2

Item	Spare part number	Mat. No.	Qty.	Description
1	01078690	11038924	4	Hexagon screw
2	00101550	12310264	12	Washer
3	01071740	11039609	4	Hex.bolt
4	01079080	90531112	22	Spacer
5	01077810	90513094	4	Fixed castor
6	XXXXXXXX	97099121	2	Fixed castor
7	01059530	11039567	2	Hexagon screw
8	00902280	12332136	4	Washer
9	00879030	90199019	2	Pipe
10	00924810	90336637	2	Deflector roller
11	01079930	90522566	1	Bracket
12	00911270	25842105	305 mm	Hose
13	00866720	17133026	2	Star handle
14	00972060	12515094	2	Disk wheel
15	01079070	97098842	2	Fixed castor

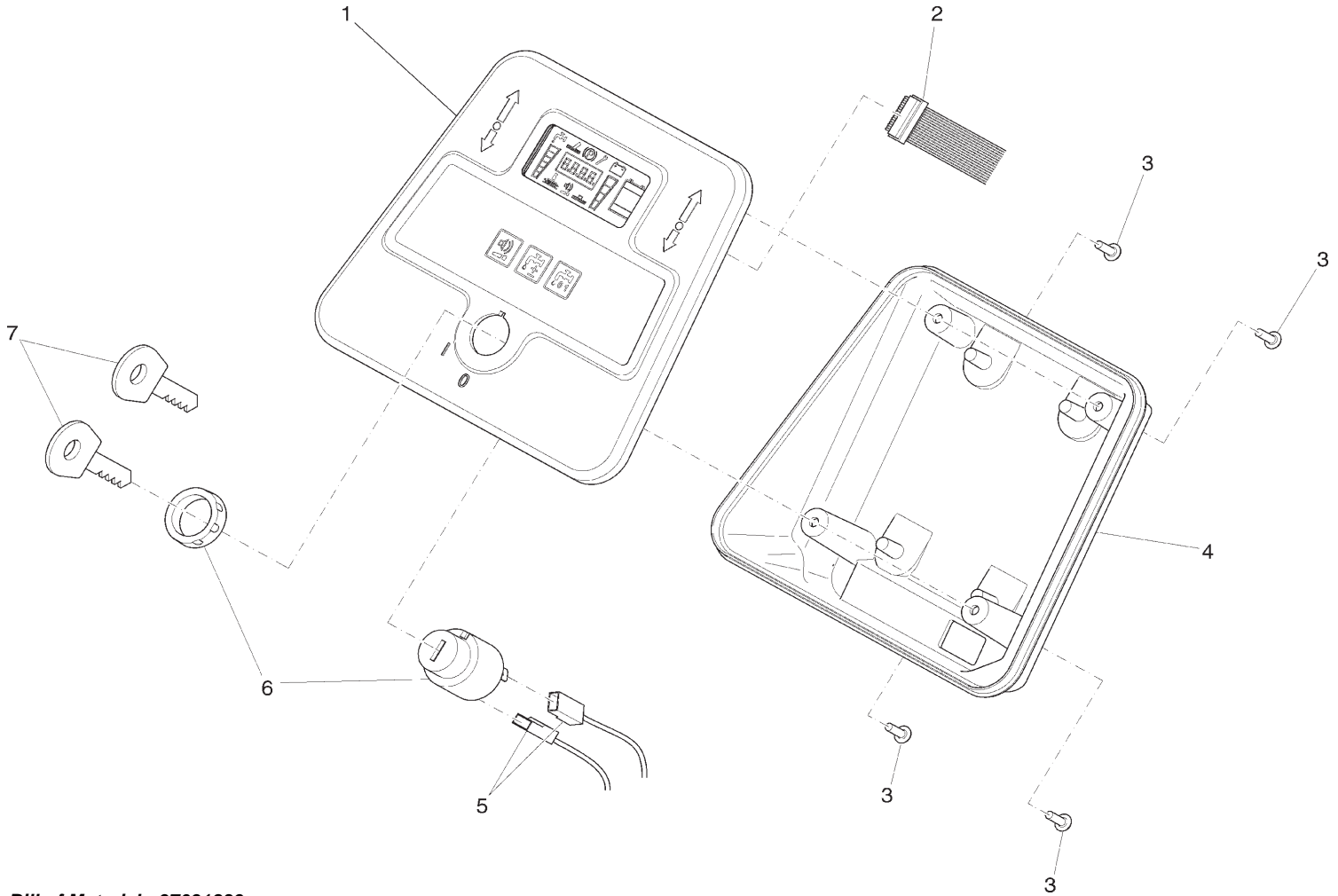
Control Panel Assembly



Bill of Material - 97096523

Item	Spare part number	Mat. No.	Qty.	Description	Note
1	01171380	11177253	4	Lens flange screw	
2	01079760	90494501	1	Handle bar	
3	97091839		1	Console cpl.	ITEM HAS SUBASSEMBLIES
4	01079770	96117585	1	Sheet metal	
5	01072520	11177179	4	Lens flange screw	
6	00874720	12310272	4	Washer	
7	00961490	11709011	4	Self tapping screw	
8	01079950	97096069	1	Bail system	
9	00051510	12040051	2	Hexagon nut	

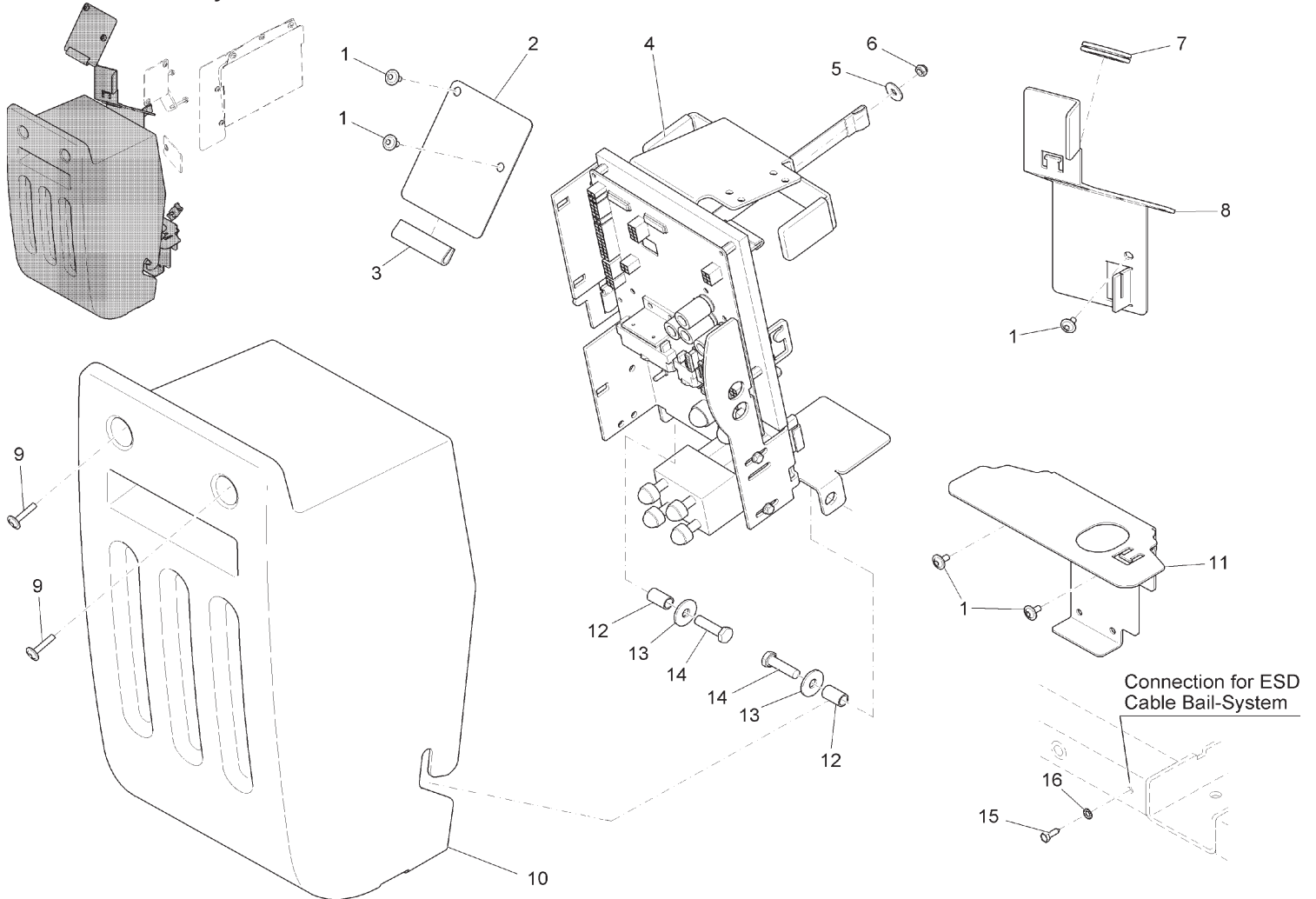
Control Panel Assembly
Console Subassembly



Bill of Material - 97091839

Item	Spare part number	Mat. No.	Qty.	Description
1	01079090	97057160	1	Console B70/B90
2	01078930	90511130	1	Ribbon cable
3	01078860	11702123	4	Screw
4	01078940	90499492	1	Console
5	01078950	90518150	1	Cable key switch
6	00021710	90323437	1	Key switch
7	00745890	00745890	1	Set (2pc.) key

Electrical Assembly I

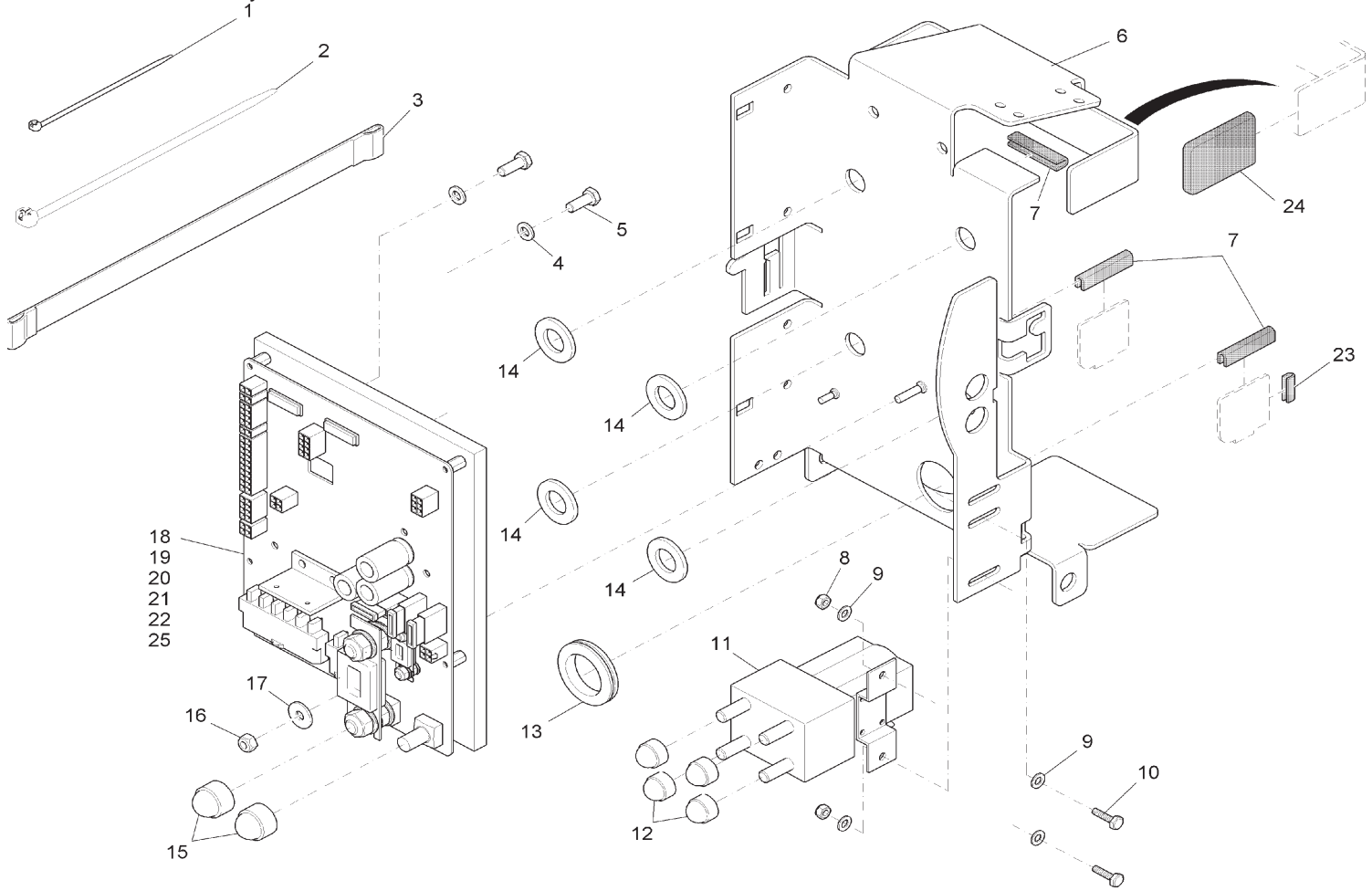


Bill of Material - 97101968-1

Item	Spare part number	Mat. No.	Qty.	Description	Note
1	01072520	11177179	5	Lens flange screw	
2	01078570	90509803	1	Sheet metal	
3	00161240	25582024	60mm	Edge protection	
4	97102503		1	Retainer cpl.	ITEM HAS SUBASSEMBLIES
5	00153200	12347027	1	Washer	
6	00051520	12040044	1	Hexagon nut	
7	01079690	15595259	1	Bushing	
8	01078580	90511338	1	Sheet metal	
9	01082530	11177161	2	Lens flange screw	
10	01078270	96114996	1	Covering	
11	01078590	90513912	1	Clamping plate	
12	01078260	90499377	2	Bushing	
13	00042900	12332029	2	Washer	
14	00053110	11038254	2	Hexagon screw	
15	01073850	11412046	1	Tapping screw	
16	00857150	12518080	1	Lock	

Electrical Assembly I

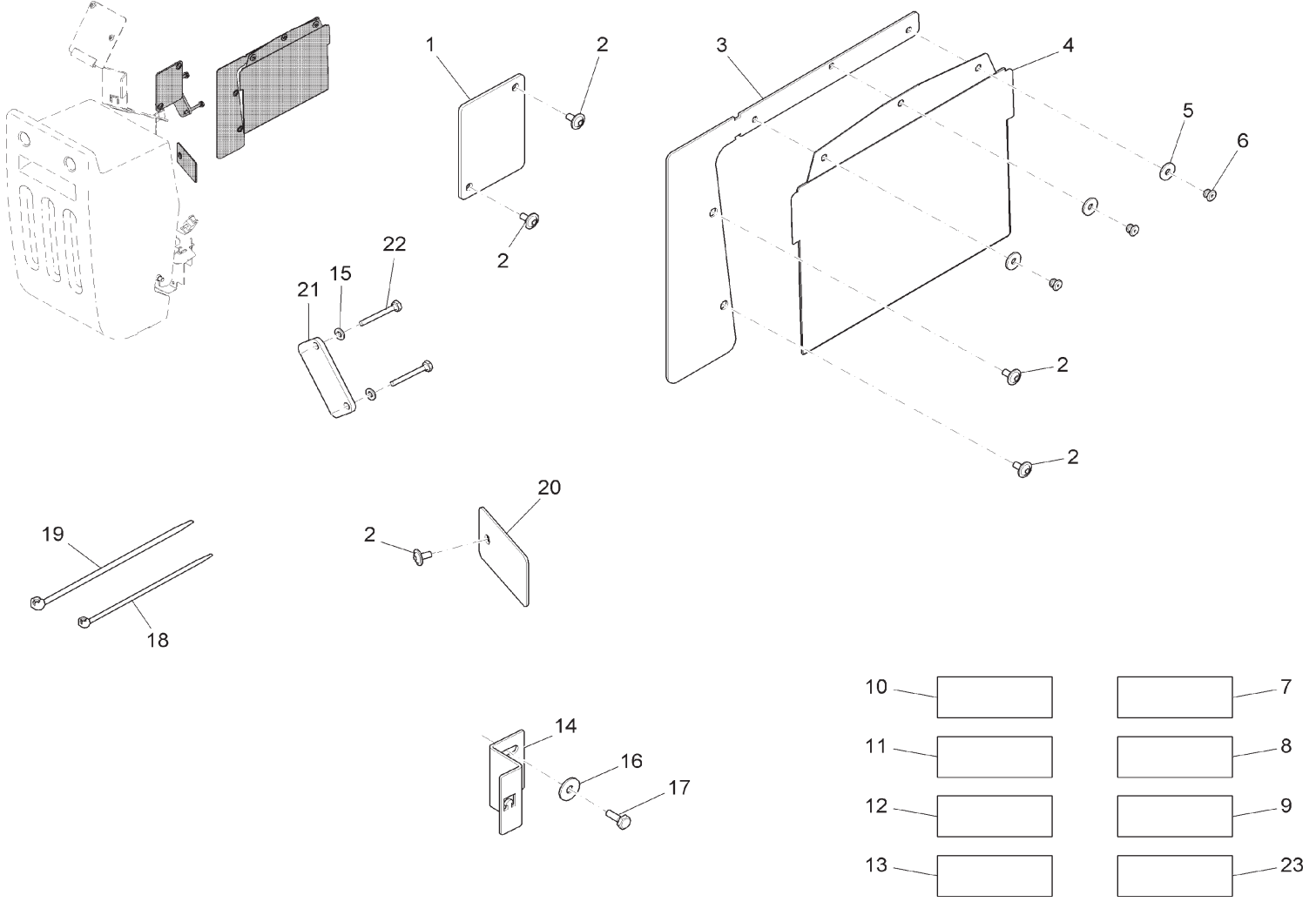
Retainer Subassembly



Bill of Material - 97102503

Item	Spare part number	Mat. No.	Qty.	Description
1	00967760	90156688	4	Cable tie
2	00121150	90114810	8	Cable tie
3	01077880	90517699	1	Webbing
4	00053730	12310033	2	Washer
5	00053010	11038072	2	Hex.bolt
6	01078640	96117668	1	Retainer
7	00721090	25583022	120mm	Edge protection
8	00051340	12040036	2	Hexagon nut
9	00053720	12310025	4	Washer
10	00054410	11038049	2	Hex.bolt
11	01170460	90529942	1	Contactor
12	00131610	15592033	4	Lens cap
13	01079690	15595259	1	Bushing
14	01078240	90510017	4	Washer
15	00747210	15592041	2	Lens cap
16	00051520	12040044	1	Hexagon nut
17	00135120	12332011	1	Washer
18	01171100	97057764	1	Controller HIGH 8-fet BAIL-KUD
19	00059580	19731140	1	Fuse
20	00902440	00902440	1	Strip fuse
21	00733630	19731082	1	Fuse
22	00972430	00972430	1	Fuse
23	00721090	25583022	30mm	Edge protection
24	01074240	90463746	2	Cap
25	00906120	19731181	1	Fuse

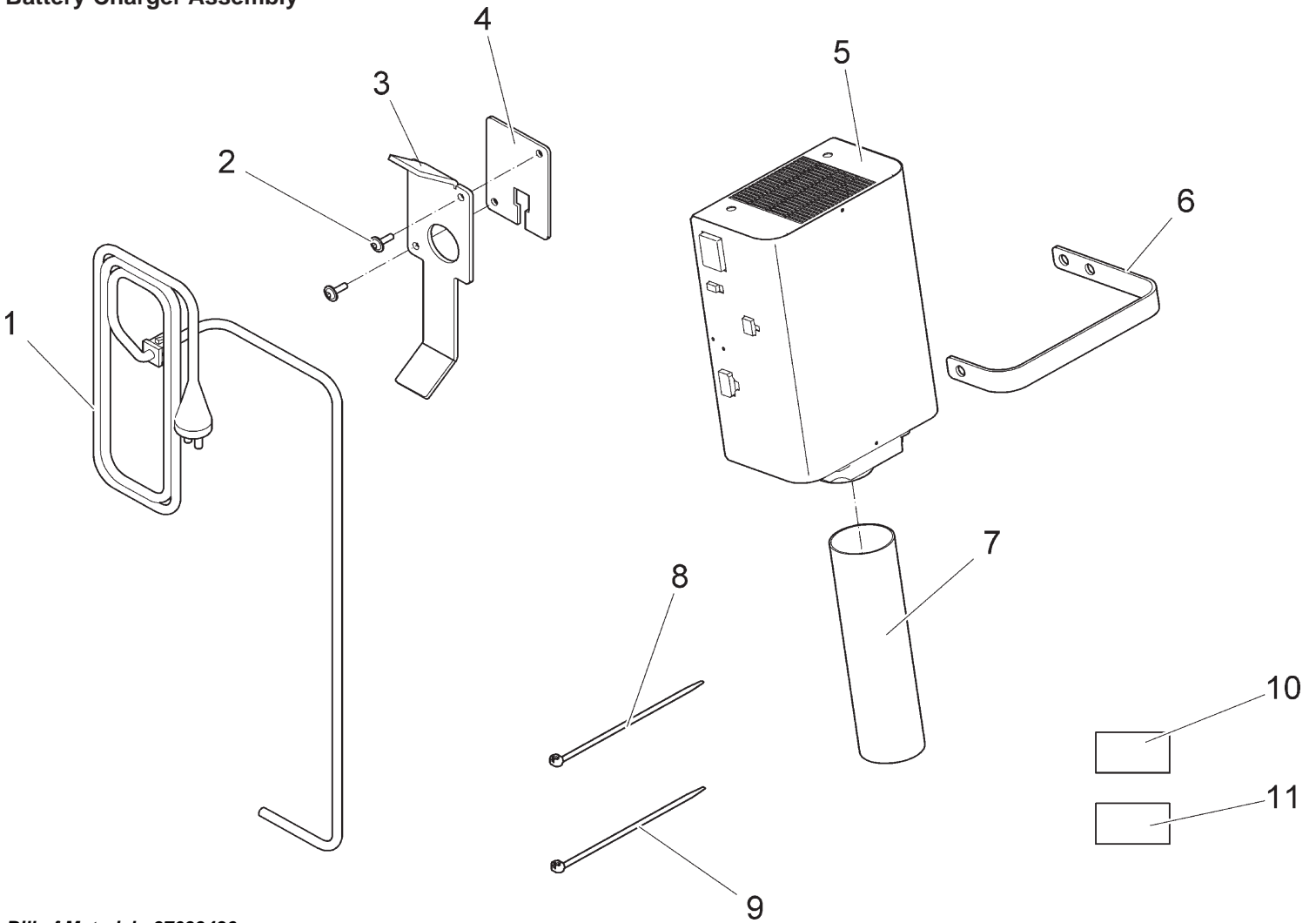
Electrical Assembly II



Bill of Material - 97101968-2

Item	Spare part number	Mat. No.	Qty.	Description
1	01078600	90518119	1	Covering
2	01072520	11177179	7	Lens flange screw
3	01078610	90511346	1	Sheet metal
4	01078280	90465774	1	Bag
5	00555520	12332052	3	Washer
6	01078290	13165196	3	Blind rivet
7	03008120	97096986	1	Wiring harness W1
8	03008130	97096994	1	Wiring harness W2
9	03008200	97101547	1	Wiring harness W3
10	03008590	97101869	1	Wiring harness W9
11	03008160	97098511	1	Wiring harness W11
12	03008170	97095129	1	Cable loom
13	03008180	97098529	1	Cable loom
14	01170450	90529876	1	Clamping plate
15	00053730	12310033	2	Washer
16	00042900	12332029	1	Washer
17	00053090	11038213	1	Hexagon screw
18	00121150	90114810	10	Cable tie
19	00967760	90156688	2	Cable tie
20	01078630	90511320	1	Sheet metal
21	01170500	90538125	1	Distance plate
22	00535110	11038817	2	Hex.bolt
23	03007780	97099048	1	Cable loom

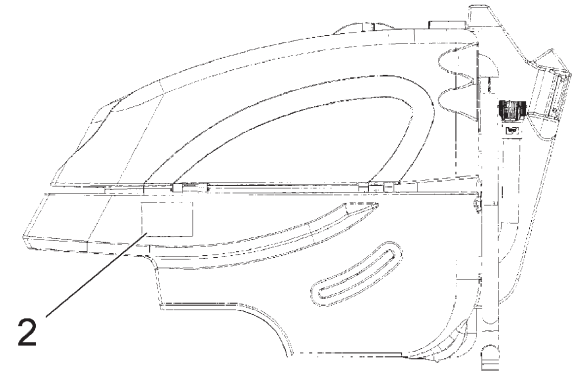
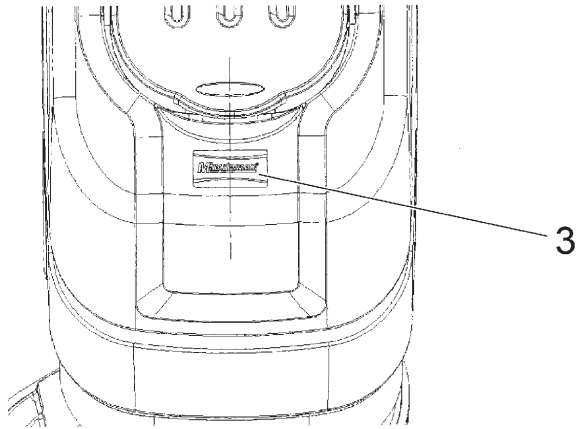
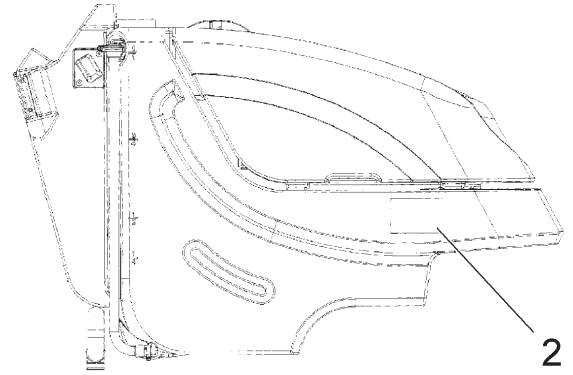
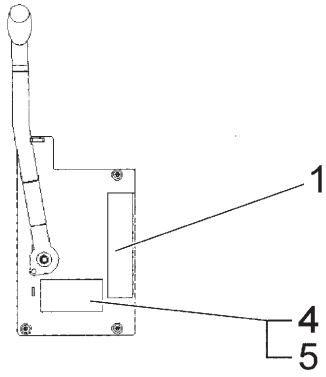
Battery Charger Assembly



Bill of Material - 97099436

Item	Spare part number	Mat. No.	Qty.	Description	Note
1	01079380	90532987	1	Power cable	
2	01017640	11177060	2	Lens flange screw	
3	01074240	90463746	2	Cap	
4	01079360	90533266	1	Covering	Attaches to item 12 with Loctite
5	01079370	96117197	1	On-board charger	
6	01077870	90517665	1	Tension band	
7	01078320	90512575	3	Hose	
8	00121150	90114810	8	Cable tie	
9	00967760	90156688	1	Cable tie	
10	03006770	97094304	1	Wire harness W6	
11	03006840	97094346	1	Wiring harness W8	
12	01079390	90533258	1	Cable retainer	

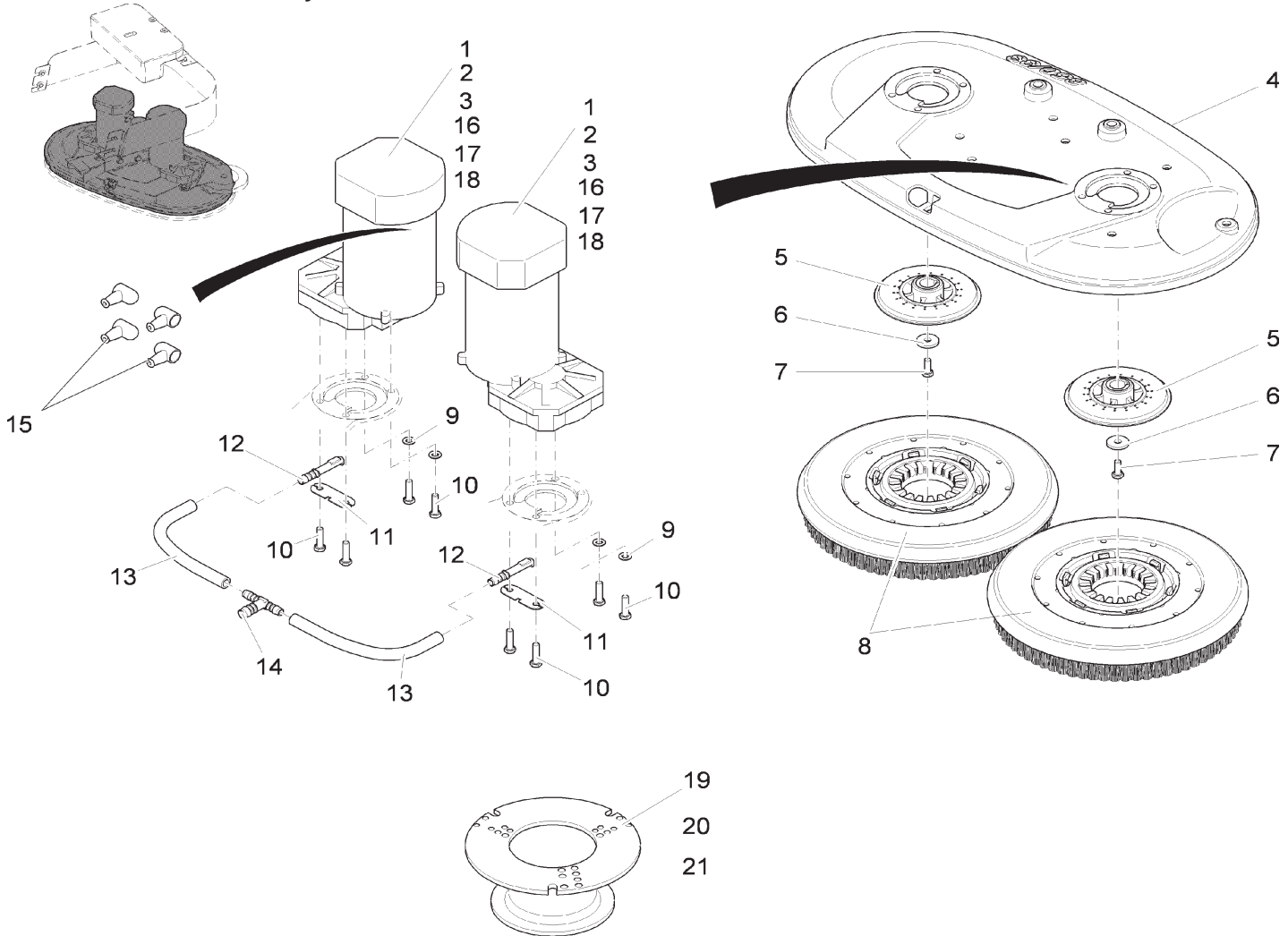
Machine Labels



Bill of Material - 97101695

Item	Spare part number	Mat. No.	Qty.	Description
1	01077440	17267212	1	Decal DETAILS
2	03008570	17205261	2	Decal E33
3	03007820	17201145	1	Decal MINUTEMAN
4	XXXXXXXXXX	17212178	1	Type plate MINUTEMAN USA
5	00504370	13165014	2	Blind rivet

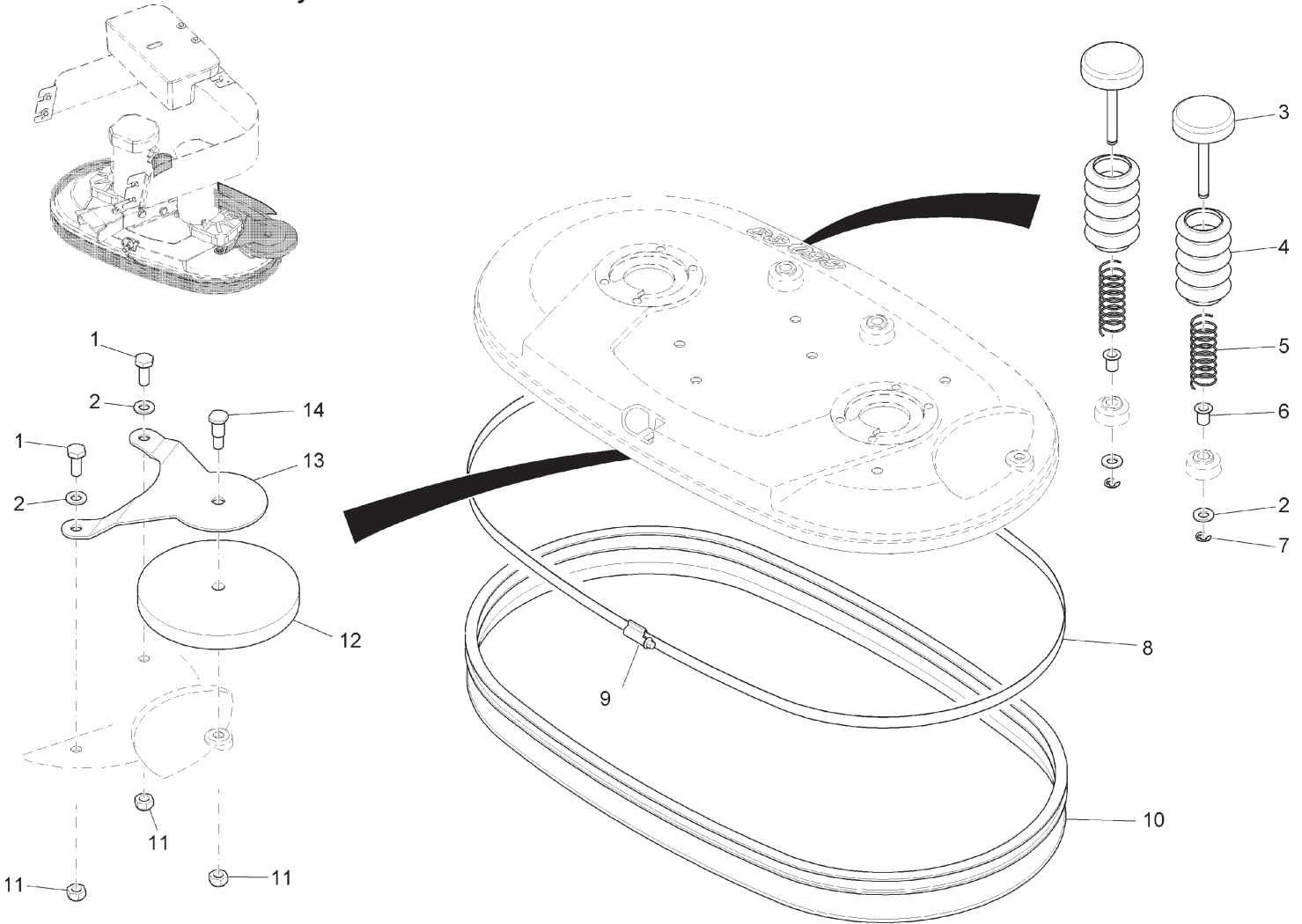
Disc Scrub Deck Assembly I



Bill of Material - 97101562-1

Item	Spare part number	Mat. No.	Qty.	Description	Note
1	01170220	90507484	2	Motor SCOTT 700W	
2	01077230	01077230	2	Fitting key	
3	01077240	01077240	1	Set (4pc.) Carbon brush	
4	03008040	90501115	1	Housing	
5	00512400	90324369	2	Carrier	
6	00879170	90209537	2	Washer	
7	00053090	11038213	2	Hexagon screw	
8	99759900	99759900	2	Drive plate USA 430	Includes items 19-21
9	00101550	12310264	4	Washer	
10	00053110	11038254	8	Hexagon screw	
11	01077750	90500216	2	Sheet metal	
12	01078330	90500265	2	Spray tube	
13	00180190	25842014	660mm	Hose	
14	00901310	90275157	1	T-reducer muff	
15	01078070	90524174	4	Protection cap	
16	01077250	01077250	1	Spring	
17	01077210	01077210	1	Gear	
18	01077220	01077220	1	Circlip	
19	00681500	90364365	1	Center-lock, lower part	
20	00961490	11709011	6	Self tapping screw	
21	00681490	90364373	1	Center-lock, upper part	

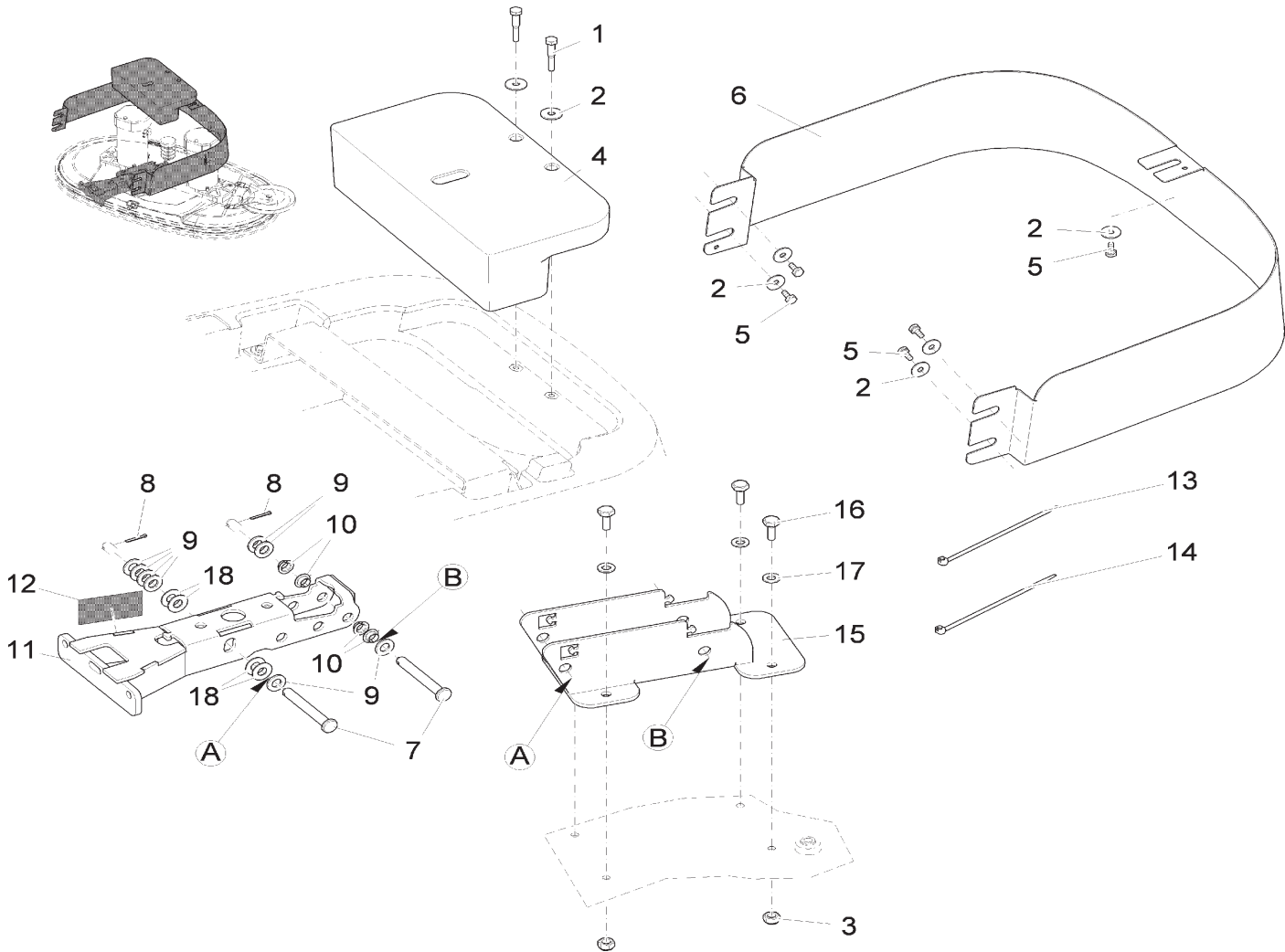
Disc Scrub Deck Assembly II



Bill of Material - 97101562-2

Item	Spare part number	Mat. No.	Qty.	Description
1	00053310	11038346	2	Hexagon screw
2	00053760	12310058	2	Washer
3	01078000	96112388	2	Ejector
4	01078350	90500232	2	Bellow
5	01078340	90500208	2	Compression spring
6	01078360	14895437	2	Slide bearing bush
7	00046280	12640033	2	Thrust washer
8	00712300	17528548	2440 mm	Tension band
9	00901390	17528555	1	Tension band lock
10	01079970	90539800	1	Sealing strip
11	00051500	12040069	3	Hexagon nut
12	01170190	90501107	1	Deflector roller
13	01170180	90500638	1	Retainer
14	01077570	90507831	1	Screw

Disc Scrub Deck Assembly III



Bill of Material - 97101562-3

Item	Spare part number	Mat. No.	Qty.	Description
1	00053120	11032208	2	Hexagon screw
2	00042900	12332029	7	Washer
3	00051500	12040069	2	Hexagon nut
4	03008090	96117205	1	Weight
5	00053080	11038197	5	Hexagon screw
6	01171340	90536152	1	Covering
7	00879650	13328414	2	Bolt
8	00553580	13280136	2	Cotter pin
9	00053770	12310066	8	Washer
10	01171330	14895197	4	Slide bearing bush
11	01171350	96120696	1	Rocker
12	01073530	17220013	1	Transparency
13	00121150	90114810	3	Cable tie
14	00967760	90156688	2	Cable tie
15	01170520	96110572	1	Retainer
16	00053310	11038346	2	Hexagon screw
17	00053760	12310058	2	Washer
18	01102770	14898019	4	Approach disk

Minuteman International Made Simple Commercial Limited Warranty

Minuteman International, Inc. warrants to the original purchaser/user that the product is free from defects in workmanship and materials under normal use. Minuteman will, at its option, repair or replace without charge, parts that fail under normal use and service when operated and maintained in accordance with the applicable operation and instruction manuals. All warranty claims must be submitted through and approved by factory authorized repair stations.

This warranty does not apply to normal wear, or to items whose life is dependent on their use and care, such as belts, cords, switches, hoses, rubber parts, electrical motor components or adjustments. Parts not manufactured by Minuteman are covered by and subject to the warranties and/or guarantees of their manufacturers. Please contact Minuteman for procedures in warranty claims against these manufacturers.

Special warning to purchaser -- Use of replacement filters and/or prefilters not manufactured by Minuteman or its designated licensees, will void all warranties expressed or implied. A potential health hazard exists without original equipment replacement.

All warranted items become the sole property of Minuteman or its original manufacturer, whichever the case may be.

Minuteman disclaims any implied warranty, including the warranty of merchantability and the warranty of fitness for a particular purpose. Minuteman assumes no responsibility for any special, incidental or consequential damages.

This limited warranty is applicable only in the U.S.A. and Canada, and is extended only to the original user/purchaser of this product. Customers outside the U.S.A. and Canada should contact their local distributor for export warranty policies. Minuteman is not responsible for costs or repairs performed by persons other than those specifically authorized by Minuteman. This warranty does not apply to damage from transportation, alterations by unauthorized persons, misuse or abuse of the equipment, use of non-compatible chemicals, or damage to property, or loss of income due to malfunctions of the product.

If a difficulty develops with this machine, you should contact the dealer from whom it was purchased.

This warranty gives you specific legal rights, and you may have other rights which vary from state to state. Some states do not allow the exclusion or limitation of special, incidental or consequential damages, or limitations on how long an implied warranty lasts, so the above exclusions and limitations may not apply to you.

Cord Electric Group..... Three years parts, two years labor, ninety days travel (Not to exceed two hours)
Exceptions..... Port-A-Scrub, one year parts, six months labor
MPV 13, one year parts
MPV 14 and 18, two years parts, one year labor
RapidAir blower, one year parts, one year labor
Explosion-Proof Vacuum, one year parts, one year labor
Pneumatic Vacuums, three years parts, one year labor
EX 12 and EX12H, one year parts, one year labor

Battery Operated Group..... Three years parts, two years labor, ninety days travel
(Not to exceed two hours)
Exceptions..... Sweepers, one year parts, one year labor, ninety days travel
(Not to exceed two hours)

Internal Combustion Group....One year parts, one year labor, ninety day travel
(Not to exceed two hours)

Replacement Parts.....Ninety days
Batteries.....0-3 months replacement, 4-12 months pro-rate
Polypropylene Plastic Tanks... Ten years, no additional labor