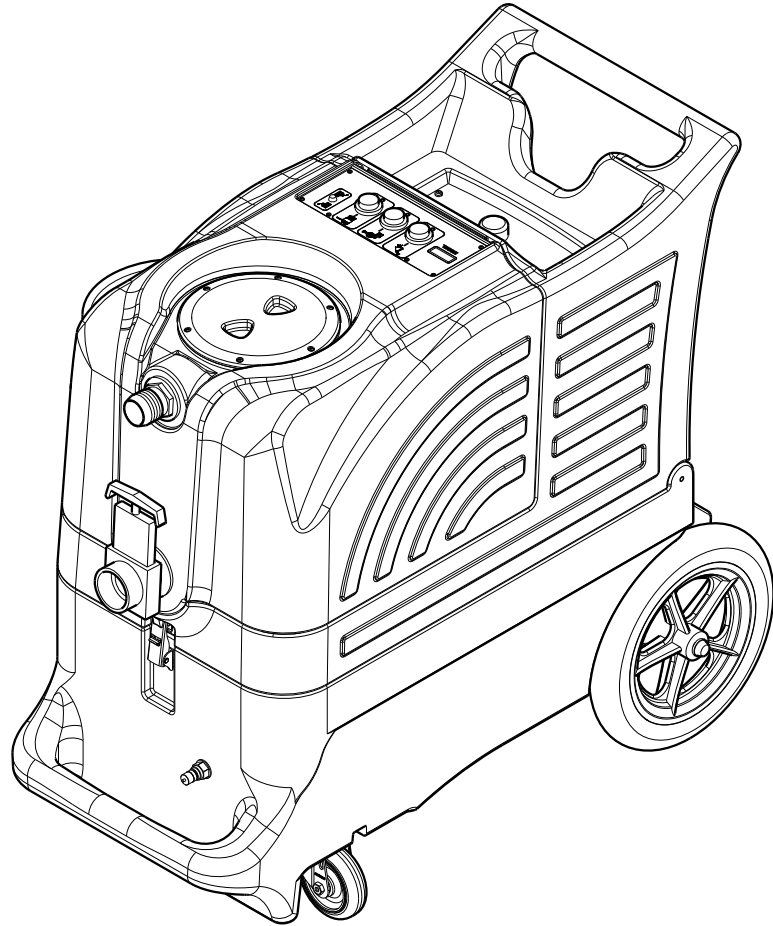


ET600



PARTS LIST

MODELS 56105312 (100), 56105313 (100H), 56105314 (400H)



Advance

7/2011 revised 8/2016 FORM NO. 56042585 REV F

TABLE OF CONTENTS

DESCRIPTION	PAGE
Base System - 400H.....	2-3
Base System - 100H.....	4-5
Base System - 100	6-7
Recovery System.....	8-9
Solution System.....	10-11
Ladder Diagram.....	12-13
Decal System.....	14
Options & Accessories.....	15

WHEN ORDERING PARTS

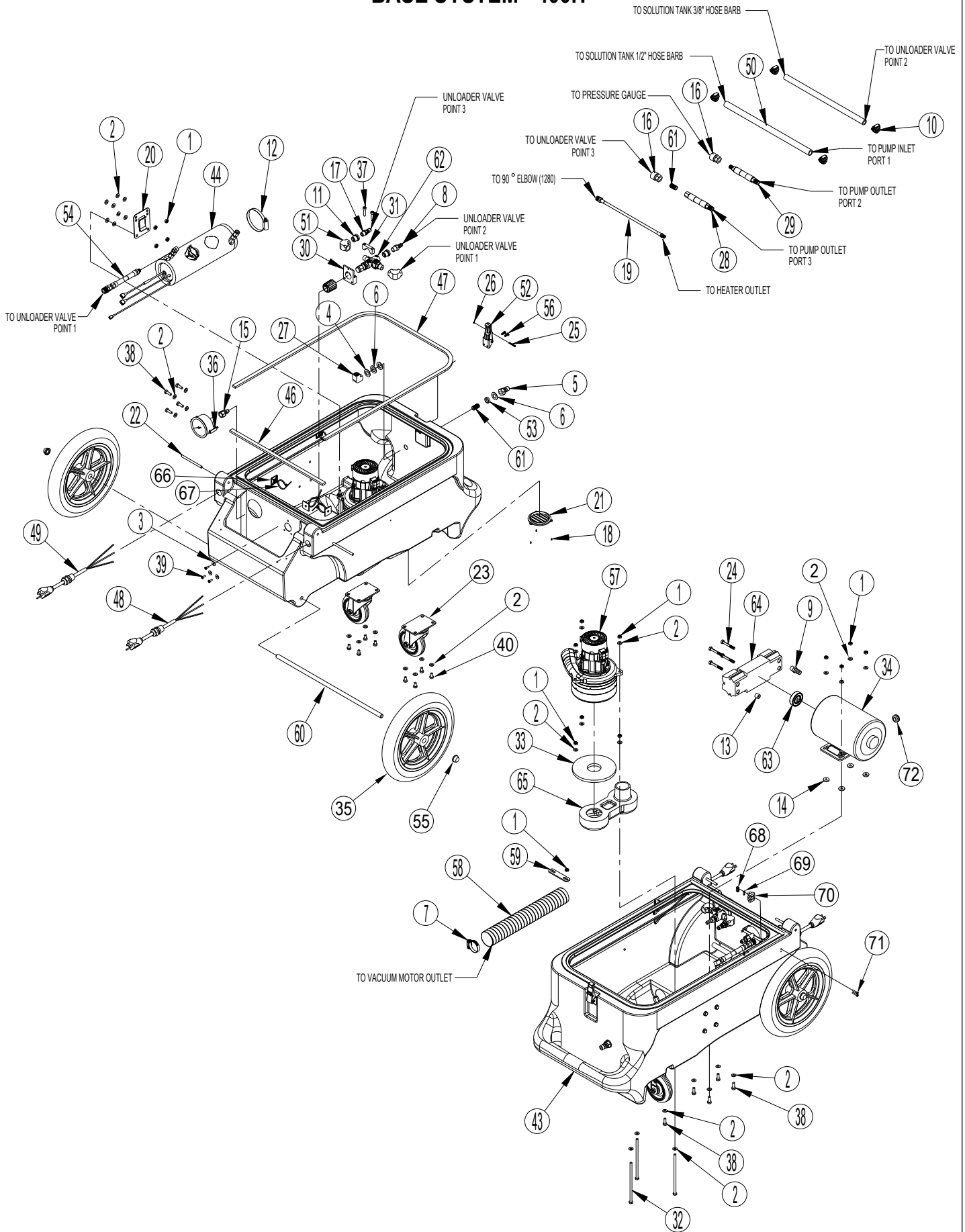
- * Use the part numbers from the "Ref. No." columns in this parts list. If the "Ref. No." column is blank; look under the "Kit" column to identify which kit contains the part in question, then use the kit callout, for example "K1", to find the "Ref. No." for that kit.

Kit	Item	Ref. No.	Qty	Description
K1	1		16	Washer Flat 3/16 Zinc Plat
K1	2		2	Screw-BHS-Brass-10-32x3/8-MS
K1	3		3	Washer EPDM 7/32 X 1/8
	4	805	1	Chain-Cover
	5	905	2	Caster Swivel 4 Gray Non MA
K1	6		2	Nut, Hex Nyl Loc 10-24
K1	7		3	Scr- Hex SS 1/4-20 X .75
K1	8		16	Scr, Hex Hd Loc 1/4-20 x .50
K1	9		3	Wsh, Flt SS .260 X 1.000 X .074
	10	56113012	1	Solution Tank
	11	56113034	2	Hinge Plate
K1		56113103	1	Kit-Hardware Solution Tank

- * Specify the model and serial number of the machine.
- * Use the space below to record the model and serial number for future reference.

Model _____ Serial No. _____

BASE SYSTEM - 400H



BASE SYSTEM - 400H

Kit	Item	Ref. No.	Qty	Description
K1	1		15	Nut-Nylock-Zp-1-4-20
K1	2		38	Washer Flat 3/16 Zinc Plat
K1	3		3	Washer-Flat-SS-10
K1	4		1	Washer Brass Half Hard 1 X 9/16 X 1/16
	5	45USP	1	Quick Disconnect Plug Male
K1	6		3	Washer 1 Od X 9/16 Id X
	7	156USP	1	Hose Clamp-Size 28-1-9/16- 2 1/2
K5	8		1	Hose Barb With Male 1/4 Pipe X 3/8 Hose Brass
K2,K3	9		1	Hose Barb 1/4 Pipe X 1/2 Hose Brass
	10	166USP	4	Hose Clamp-SS-3/8-7/8
K5	11		2	Bushing 3/8 X 1/4 Pipe Brass
	12	198USP	1	Hose Clamp 48 3-1/2dia 9
K2,K3	13		1	Plug Brass Pipe 1/4 Pipe Hex Drive
K1	14		4	Washer-Flat-1/4x3/4x1/8-60 Dur0
	15	219USP	1	Quick Connect Brass 1/4 FPT
	16	220	2	Qd-Brass-1/4 FPT-Socket Straight
K5	17		1	Qd-Plug-Brass-1/4 MPT-St
K1	18		3	Screw-Fhp-SS-2x1/4-Sms
	19	313	1	Hose S/S Braided Teflon 1/4
	20	455USP	1	Mount Heat Exchanger
	21	459USP	1	Louver 2-1/2 Gray Plastic
	22	801	2	Hinge Pin Rod S/S 1/4 X
	23	905USP	2	Caster Swivel 4 Gray Non Ma
K1,K2	24		4	Screw-Shcs-SS-1/4-20x2x1
K1	25		1	Screw 2-56 X1 Panhead Phillip
K1	26		1	Nut. Finish 2-56 Thread Zp
	27	1280	1	Elbow 90 Deg 1/4 Fpt X 1/4 F
	28	1284	1	Hose-19 In-Puls-Damp
	29	1506	1	Hose Assembly 21 X 1/4 MPT
	30	1554	1	Mount-Plate-Valve
	31	1555	1	Clamp-Valve-Mount
K1	32		3	Bolt 1/4 X 20 6l Full Thread
	33	2013	1	Gasket 1 Side Adhesive 5-1/2 O
K2,K4	34		1	Motor A/C 1/3 HP For 300 PSI P (M1) TSB-FC-2015-032 NOTE 3
	35	2092	2	Wheel 12"X1" Black On Gray 1/2" Axle
	36	2165	1	Gage-Pressure
K1	37		2	Scr. Soc Hd 1/4-20 X 1.00
K1	38		9	Scr- Hex SS 1/4-20 X .75
K1	39		3	Scr. Pan Phil SS 8-32 X .50
K1	40		8	Scr. Hex Hd Loc 1/4-20x.50
K2,K4	[41]		1	Harness-Wire 400psi Pump Mtr
	[42]	56105258	1	Harness-Main
	43	56105353	1	Base-400 PSI Grey
	44	56105375	1	Heater 1750w 120v (E1)
	45	56105401	1	Hose 3/8 Id Red
	46	56105407	1	Gasket-Poron 1/4x1/2x16.5
	47	56105408	1	Gasket-Poron 1/4x1/2x63.5
	48	56105262	1	Power Cord Pigtail-Yellow
	49	56105263	1	Power Cord Pigtail-Red
	50	56263561	1	Hose. Spiral .500
K5	51		2	Elbow 90 Degree 3/8 Brass
	52	56471194	1	Latch Assembly
	53	116A	1	Bushing 3/4 X 9/16
	54	1581A	1	26 In-Tube-Blue-Fmjic X Mp
	55	27AUSP	2	Axel Cap Black Pal Nut
K1	56		2	Bolt-Php-SS-8-32x1/2
	57	56105255	1	Vac Motor-13A-120V-3 Stage (M2) NOTE 2
	[]	56113056	1	Vac Motor Brush Kit-120V (for 408G)
	58	430A	1	Vac Hose 2" Id X 13.5 Black Rubber
	59	4404C	1	Tank Mate Bar
	60	910-1863	1	Rod-Axel-Zinc Plt-1/2-18-63
	61	92AUSP	2	Nipple-SS-1/4 Pipe-Length .90
K5	62		1	Unloader Valve For 500 Psi Pump
K2,K3,K4	63		1	Bearing & Cam Assembly .110

Kit	Item	Ref. No.	Qty	Description
K2,K3	64		1	Pump Piston Style 300-500 Ps
	65	MA-6	1	Manifold For Cobra Black
	66#	1312	4	Mounting Pad
	67#	35	4	Tie 4" Black Weather Resistant
	68	16	4	Nut Nylon Lock 6/32 Z.P. NOTE 1
	69	56002431	4	Wsh Flt SAE 4 NOTE 1
	70	56183523	2	Terminal Block NOTE 1
	71	56002857	4	Scr Pan Phil 6-32 X .88 NOTE 1
K2,K4	72	56050955	1	Grommet NOTE 4
	[]	2154	2	Power Cord 12/3 SJTW 25 Y
	[]	SUBSYP1	1	Syphon Hose For HHP-12

Service Kits

K1	56105216	1	Hardware Kit-Base
K2	56105218	1	Kit-Pump Complete 400PSI
K3	56105219	1	Kit-Pump Head 400PSI
K4	56105220	1	Kit-Pump Motor 400PSI
K5	56105221	1	Kit-Unloader Valve 400PSI
[]	FP256	1	Repair Kit Heat Bi-Metallic

[] = Not Shown

= Revised or new since last update

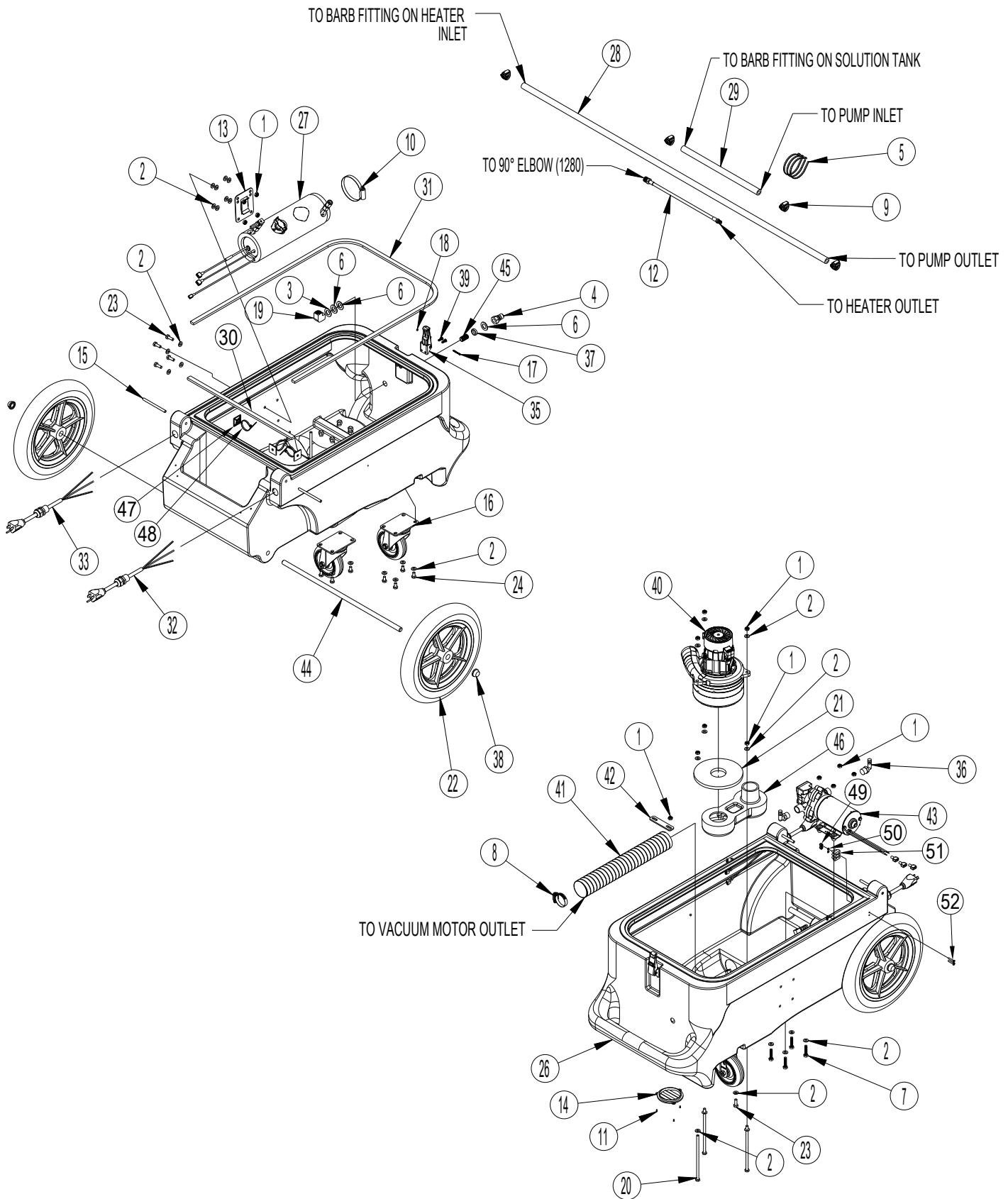
NOTE 1: Only used after serial number 4000070928.

NOTE 2: Vac Motor 56105255 replaces Vac Motor 408G as of December 29, 2014.

NOTE 3: If pump motor wires cannot be repaired, replace the motor with 56105220 Kit-Pump Motor 400PSI (includes new Grommet).

NOTE 4: All production machines with serial number 4000095482 and above have new Grommet 56050955 installed as standard equipment.

BASE SYSTEM - 100H



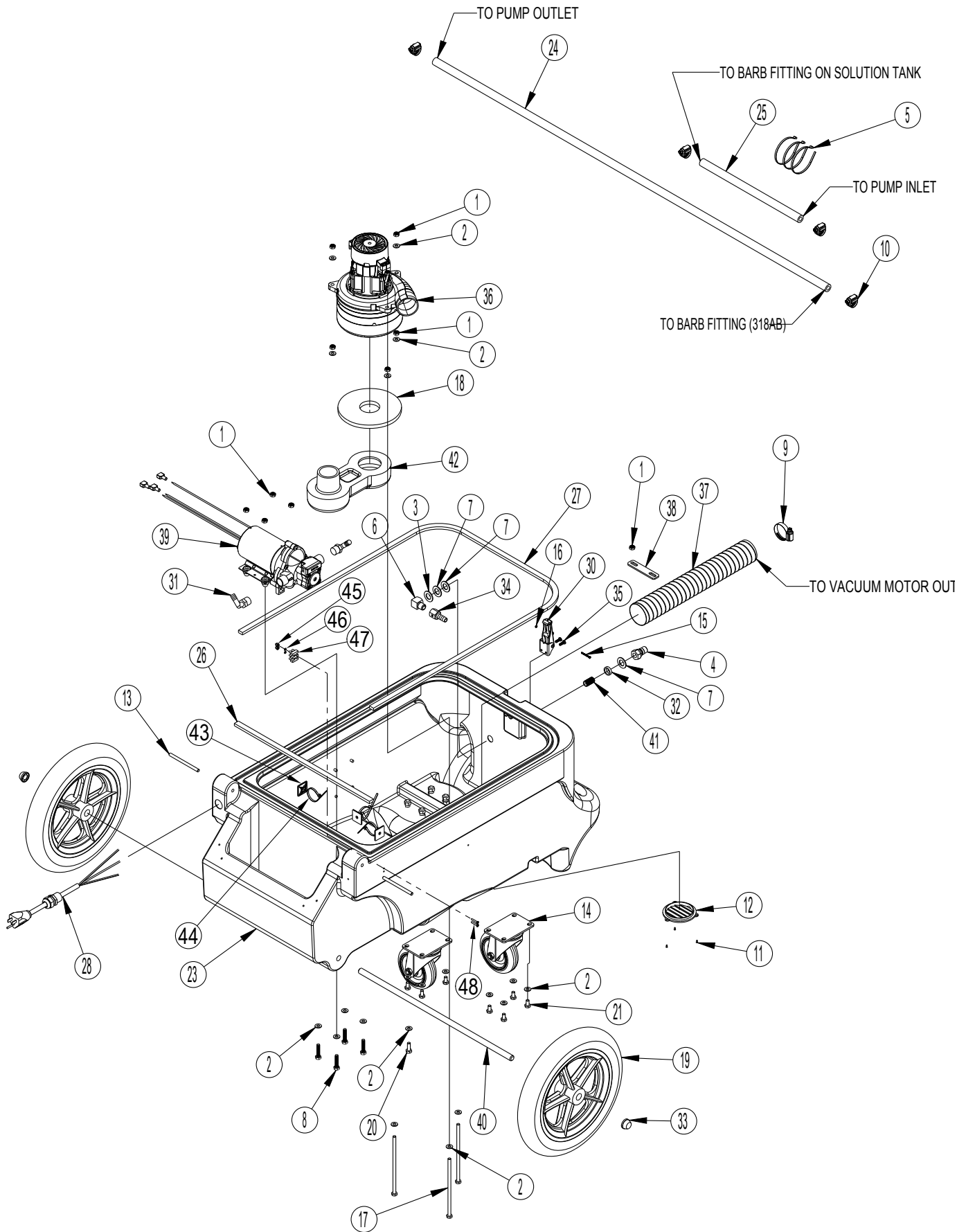
BASE SYSTEM - 100H

Kit	Item	Ref. No.	Qty	Description
K1	1		15	Nut-Nylock-Zp-1-4-20
K1	2		34	Washer Flat 3/16 Zinc Plat
K1	3		1	Washer Brass Half Hard 1 X 9/16 X 1/16
	4	45USP	1	Quick Disconnect Plug Male
	5	79	3	Tie, 8" Black
K1	6		3	Washer 1 Od X 9/16 Id X
K1	7		4	Bolt-Hex-SS-Zinc Plate-1/4-20x1-1/4
	8	156USP	1	Hose Clamp-Size 28-1-9/16- 2 1/2
	9	166USP	4	Hose Clamp-SS-3/8-7/8
	10	198USP	1	Hose Clamp 48 3-1/2dia 9
K1	11		3	Screw-Fhp-SS-2x1/4-Sms
	12	313	1	Hose S/S Braided Teflon 1/4
	13	455USP	1	Mount Heat Exchanger
	14	459USP	1	Louver 2-1/2 Gray Plastic
	15	801	2	Hinge Pin Rod S/S 1/4 X
	16	905USP	2	Caster Swivel 4 Gray Non Ma
K1	17		1	Screw 2-56 X1 Panhead Philip
K1	18		1	Nut, Finish 2-56 Thread Zp
	19	1280	1	Elbow 90 Deg 1/4 Fpt X 1/4 F
K1	20		3	Bolt 1/4 X 20 6l Full Thread
	21	2013	1	Gasket 1 Side Adhesive 5-1/2 O
	22	2092	2	Wheel 12"X1" Black On Gray 1/2" Axle
K1	23		5	Scr- Hex SS 1/4-20 X .75
K1	24		8	Scr. Hex Hd Loc 1/4-20x.50
	[25]	56105258	1	Harness-Main
	26	56105351	1	Base-100 Psi Grey
	27	56105372	1	Heater 1750w 120v
	28	56105398	1	Hose 3/8 Id Red
	29	56105399	1	Hose 3/8 Id Red
	30	56105407	1	Gasket-Poron 1/4x1/2x16.5
	31	56105408	1	Gasket-Poron 1/4x1/2x63.5
	32	56105262	1	Power Cord Pigtail-Yellow
	33	56105263	1	Power Cord Pigtail-Red
K2	34		3	Term .250 Ins Tab
	35	56471194	1	Latch Assembly
K2	36		2	Hose Barb Nylon 90 3/8 X 3/8
	37	116A	1	Bushing 3/4 X 9/16
	38	27AUSP	2	Axel Cap Black Pal Nut
K1	39		2	Bolt-Php-SS-8-32x1/2
	40	56105255	1	Vac Motor-13A-120V-3 Stage (M2) NOTE 2
	[]	56113056	1	Vac Motor Brush Kit-120V (for 408G)
	41	430A	1	Vac Hose 2" Id X 13.5 Black Rubber
	42	4404C	1	Tank Mate Bar
K2	43		1	Pump 100 Psi
	44	910-1863	1	Rod-Axel-Zinc Plt-1/2-18-63
	45	92AUSP	1	Nipple-SS-1/4 Pipe-Length .90
	46	MA-6	1	Manifold For Cobra Black
	47	1312	3	Mounting Pad
	48	35	3	Tie 4" Black Weather Resistant
	49	16	4	Nut Nylon Lock 6/32 Z.P. NOTE 1
	50	56002431	4	Wsh Flt SAE 4 NOTE 1
	51	56183523	2	Terminal Block NOTE 1
	52	56002857	4	Scr Pan Phil 6-32 X .88 NOTE 1
	[]	2154	2	Power Cord 12/3 SJTW 25 Y
	[]	SUBSYP1	1	Syphon Hose For HHP-12
Service Kits				
K1	56105216		1	Hardware Kit-Base
K2	56105217		1	Kit-Pump Complete 100PSI
[]	FP256		1	Repair Kit Heat Bi-Metallic

[] = Not Shown

NOTE 1: Only used after serial number 4000070928.**NOTE 2:** Vac Motor 56105255 replaces Vac Motor 408G as of December 29, 2014.

BASE SYSTEM - 100



BASE SYSTEM - 100

Kit	Item	Ref. No.	Qty	Description
K1	1		11	Nut-Nylock-Zp-1-4-20
K1	2		22	Washer Flat 3/16 Zinc Plat
K1	3		1	Washer Brass Half Hard 1 X 9/16 X 1/16
	4	45USP	1	Quick Disconnect Plug Male
	5	79	3	Tie. 8" Black
	6	91USP	1	Elbow 90 Deg Angle 1/4 Male
K1	7		3	Washer 1 Od X 9/16 Id X
K1	8		4	Bolt-Hex-SS-Zinc Plate-1/4-20x1-1/4
	9	156USP	1	Hose Clamp-Size 28-1-9/16- 2 1/2
	10	166USP	4	Hose Clamp-SS-3/8-7/8
K1	11		3	Screw-Fhp-SS-2x1/4-Sms
	12	459USP	1	Louver 2-1/2 Gray Plastic
	13	801	2	Hinge Pin Rod S/S 1/4 X
	14	905USP	2	Caster Swivel 4 Gray Non Ma
K1	15		1	Screw 2-56 X1 Panhead Philip
K1	16		1	Nut. Finish 2-56 Thread Zp
K1	17		3	Bolt 1/4 X 20 6l Full Thread
	18	2013	1	Gasket 1 Side Adhesive 5-1/2 O
	19	2092	2	Wheel 12"X1" Black On Gray 1/2" Axle
K1	20		1	Scr- Hex SS 1/4-20 X .75
K1	21		8	Scr. Hex Hd Loc 1/4-20x.50
	[22]	56105258	1	Harness-Main
	23	56105352	1	Base-100 Psi Grey No Heat
	24	56105398	1	Hose 3/8 Id Red
	25	56105399	1	Hose 3/8 Id Red
	26	56105407	1	Gasket-Poron 1/4x1/2x16.5
	27	56105408	1	Gasket-Poron 1/4x1/2x63.5
	28	56105262	1	Power Cord Pigtail-Yellow
K2	29		3	Term .250 Ins Tab
	30	56471194	1	Latch Assembly
K2	31		2	Hose Barb Nylon 90 3/8 X 3/8
	32	116A	1	Bushing 3/4 X 9/16
	33	27AUSP	2	Axel Cap Black Pal Nut
	34	318AB	1	Hose Barb Solution Tank Standard
K1	35		2	Bolt-Php-SS-8-32x1/2
	36	56105255	1	Vac Motor-13A-120V-3 Stage (M2) NOTE 2
	[]	56113056	1	Vac Motor Brush Kit-120V (for 408G)
	37	430A	1	Vac Hose 2" Id X 13.5 Black Rubber
	38	4404C	1	Tank Mate Bar
K2	39		1	Pump 100 PSI
	40	910-1863	1	Rod-Axel-Zinc Plt-1/2-18-63
	41	92AUSP	1	Nipple-SS-1/4 Pipe-Length .90
	42	MA-6	1	Manifold For Cobra Black
	43	1312	3	Mounting Pad
	44	35	3	Tie 4" Black Weather Resistant
	45	16	2	Nut Nylon Lock 6/32 Z.P. NOTE 1
	46	56002431	2	Wsh Flt SAE 4 NOTE 1
	47	56183523	1	Terminal Block NOTE 1
	48	56002857	2	Scr Pan Phil 6-32 X .88 NOTE 1
	[]	2154	1	Power Cord 12/3 SJTW 25 Y
	[]	SUBSYP1	1	Syphon Hose For HHP-12

Service Kits

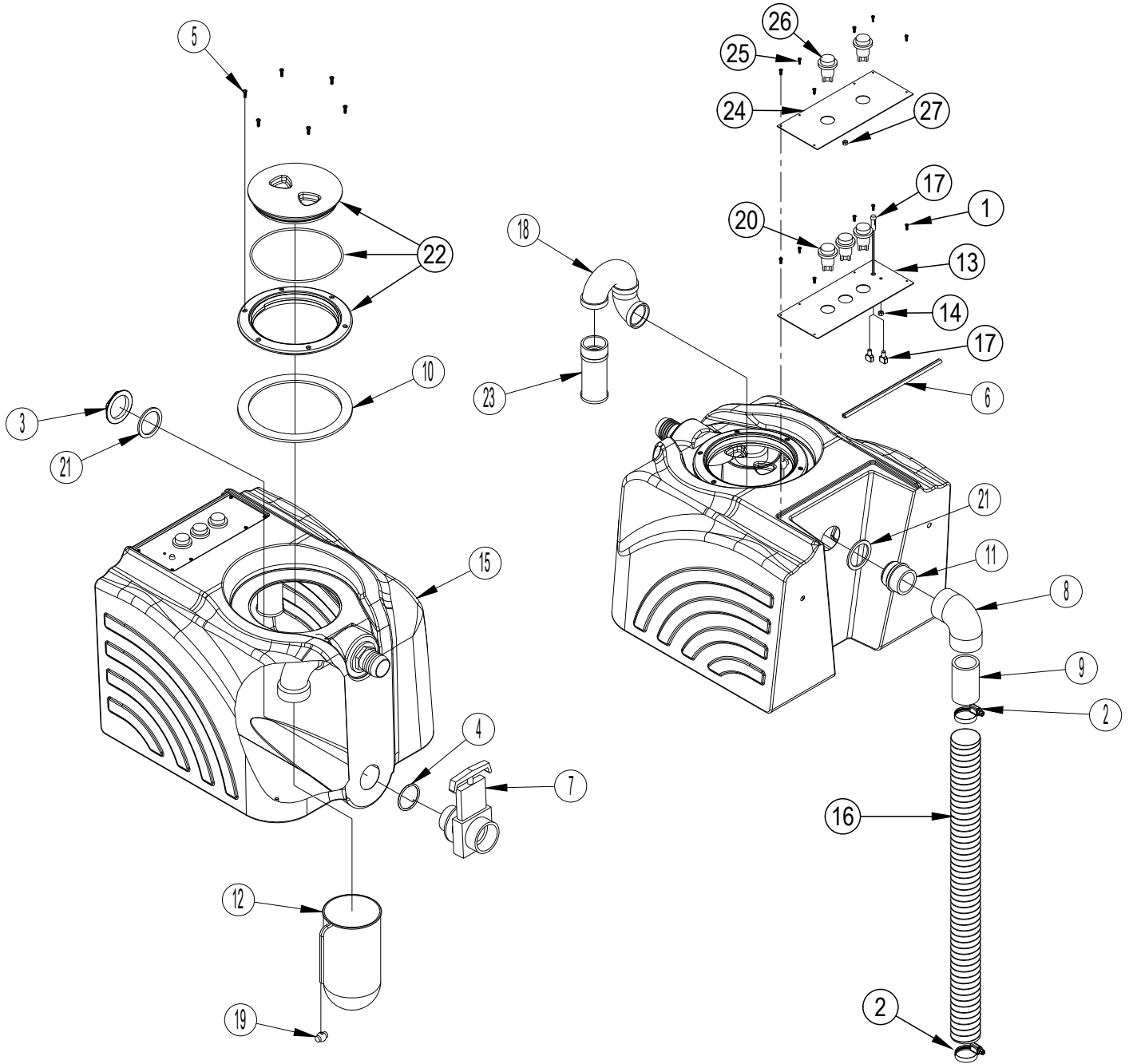
K1	56105216	1	Hardware Kit-Base
K2	56105217	1	Kit-Pump Complete 100PSI

[] = Not Shown

NOTE 1: Only used after serial number 4000070928.

NOTE 2: Vac Motor 56105255 replaces Vac Motor 408G as of December 29, 2014.

RECOVERY SYSTEM



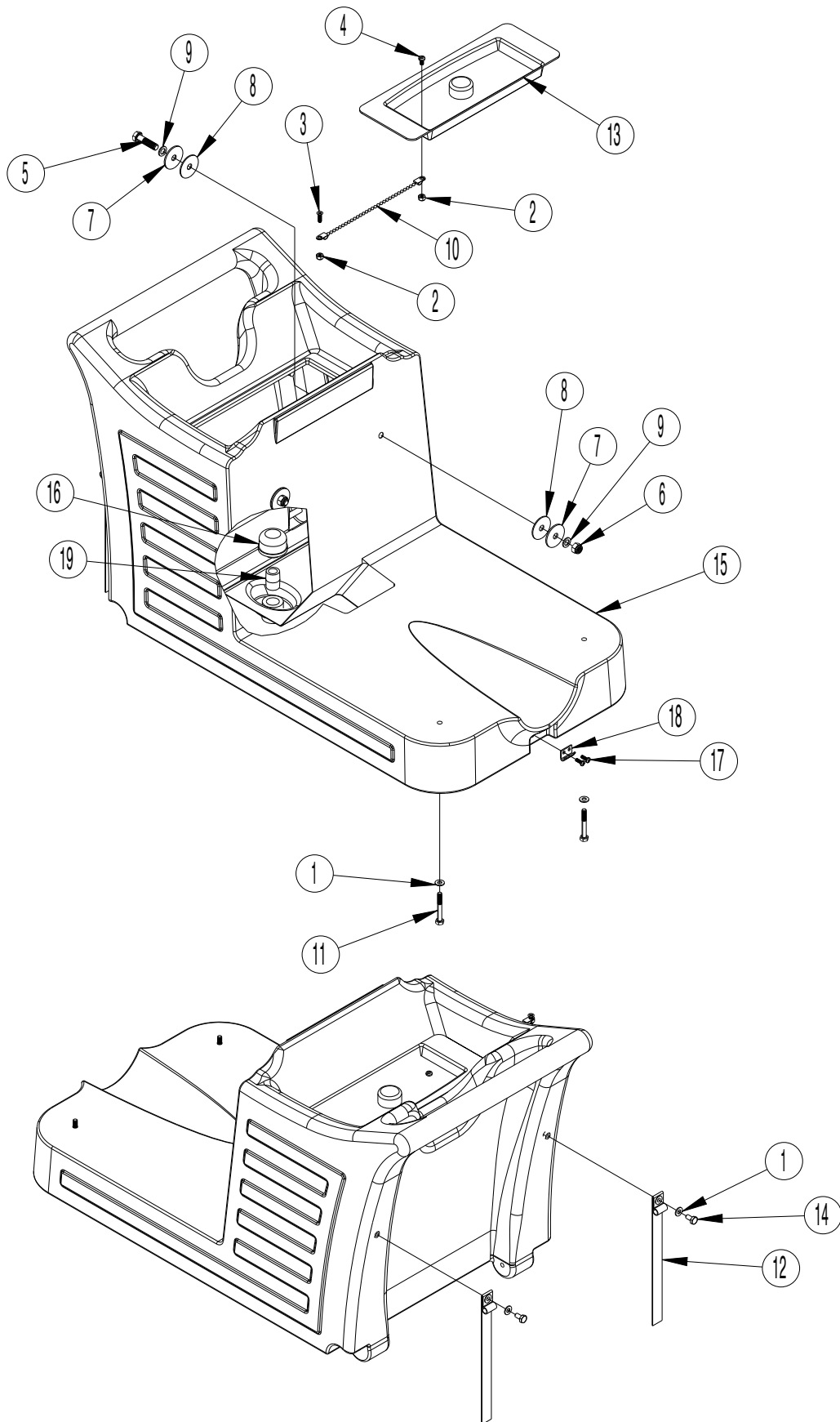
RECOVERY SYSTEM

Kit	Item	Ref. No.	Qty	Description
	1	28	6	Screw-Php-SS-4x3/8-Sms NOTE 1
	2	156USP	2	Hose Clamp-Size 28-1-9/16- 2 1/2
	3	185USP	1	Nut Die Cast Alum 1-1/2 N
	4	187USP	1	O-Ring-Bunan-1-3/4idx.125 Thick
	5	267	6	Screw-Php-SS-6x1/2-Sms
	6	425	9.5"	Gasket 40 Shore-Santoprene
	7	903USP	1	Drain Gate Valve Black 1-1/2
	8	922USP	1	Elbow 90 PVC 1-1/2 Slip X F
	9	935	3"	PVC Pipe 1-1/2 Sch 40
K1	10		1	Gasket-Lid-Xlpe-6.5idx3/16 Thick
K2	11		1	Adapter Abs 1-1/2 Trap Sl
	12	2146	1	Filter Bag Solus 800 Micron
	13	2167	1	Switch Plate 3-Hole 9.5 X 4 NOTE 1
	14	56002964	1	Nut Hex Nyl Loc Thin SS 6-32 NOTE 1
	15	56105333	1	Recovery Tank-Grey
	16	56105367	1	Vac Hose-2.0 Id X 25.50 In
	17	56113091	1	Light Green 250V Assy (H2) NOTE 1
K2	18		1	Adapter Abs 1-1/2 P-Trap
	19	1465A	1	Cord Lock For Filter Draw Co
	20	1623R	3	Switch On-Off Illuminated Cle (S1, S2, S3) NOTE 1
	21	187B	2	Washer-Flat-Buna'n-1-3/4idx0.125
K1	22		1	Lid-Clear With Ring
K1		56380968	1	O-Ring For 2086A Lid
	23	929B	1	Filter S/S Ball Float
	24	2167-100C	1	Label Advantage 100 PSI NOTE 2
	25	28	6	Screw-Php-SS-4x3/8-Sms NOTE 2
	26	1623R	2	Switch On-Off Illuminated Cle (S1, S2) NOTE 2
	27	56009008	1	Nut, Hex Machine 6-32 NOTE 2
Service Kits				
K1		56105214	1	Lid Kit-Recovery Tank
K2		56105226	1	Trap Assy-Ball Float

NOTE 1: 100 and 400 PSI dual cord heated models (56105313 and 56105314)

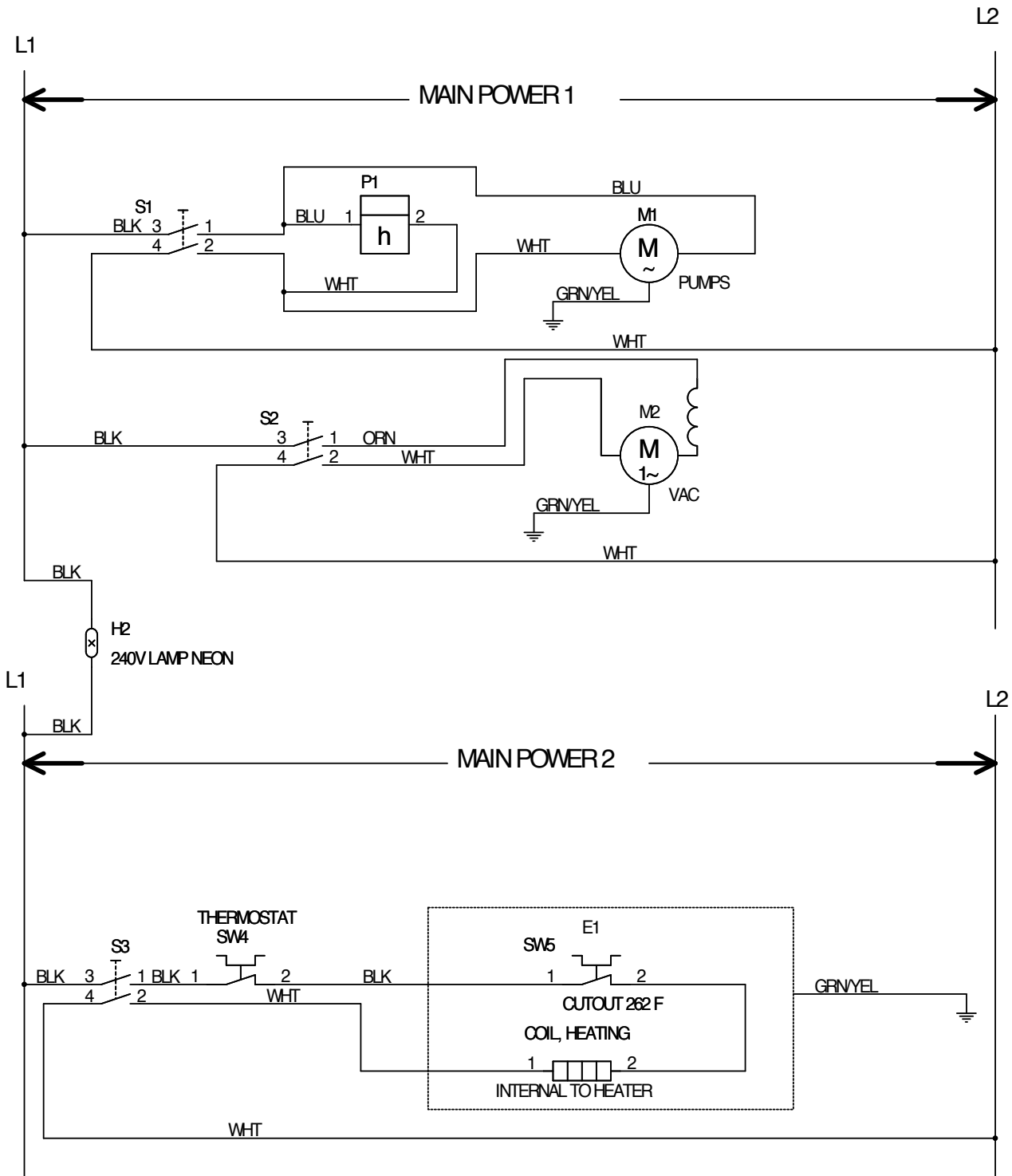
NOTE 2: 100 PSI single cord no heat model (56105312)

SOLUTION SYSTEM



SOLUTION SYSTEM

Kit	Item	Ref. No.	Qty	Description
K1	1		4	Washer Flat 3/16 Zinc Plat
K1	2		2	Nut-Nylon Lock-SS-10-32
K1	3		1	Fhp-10-32 5-8
K1	4		1	Screw-Bhs-Brass-10-32x3/8-MS
K1	5		2	Bolt-Hex-SS-3/8-16x1-1/2
K1	6		2	Nut-Nylon Lock-SS-3/8-16
K1	7		4	Washer Fender S/S 3/8 X 11/
K1	8		4	Washer Rubber 3/8 Id X 1-1
K1	9		4	Washer Nylon White 3/8 Id
	10	805USP	1	Chain-Cover
K1	11		2	Screw-Shcs-SS-1/4-20x2x1
	12	1603	2	Strap-Buckle/Cord-W/Spur Grommet
	13	2175	1	Lid-MPE-Solution Tank-Vac Formed
K1	14		2	Scr. Hex Hd Loc 1/4-20x.50
	15	56105335	1	Solution Tank-Grey
		56105379	1	Solution Tank-Grey 100 (100 PSI)
	16	207A	1	Filter 40 Mesh S/S 1/2npt Fem
K1	17		2	Bolt-Php-SS-8-32x1/2
	18	909A	1	Latch-Strike-SS-No 8 Hole
	19	92BUSP	1	Nipple PVC 1/2 N.P.T.
Service Kits				
K1	56105215		1	Hardware Kit-Solution Tank

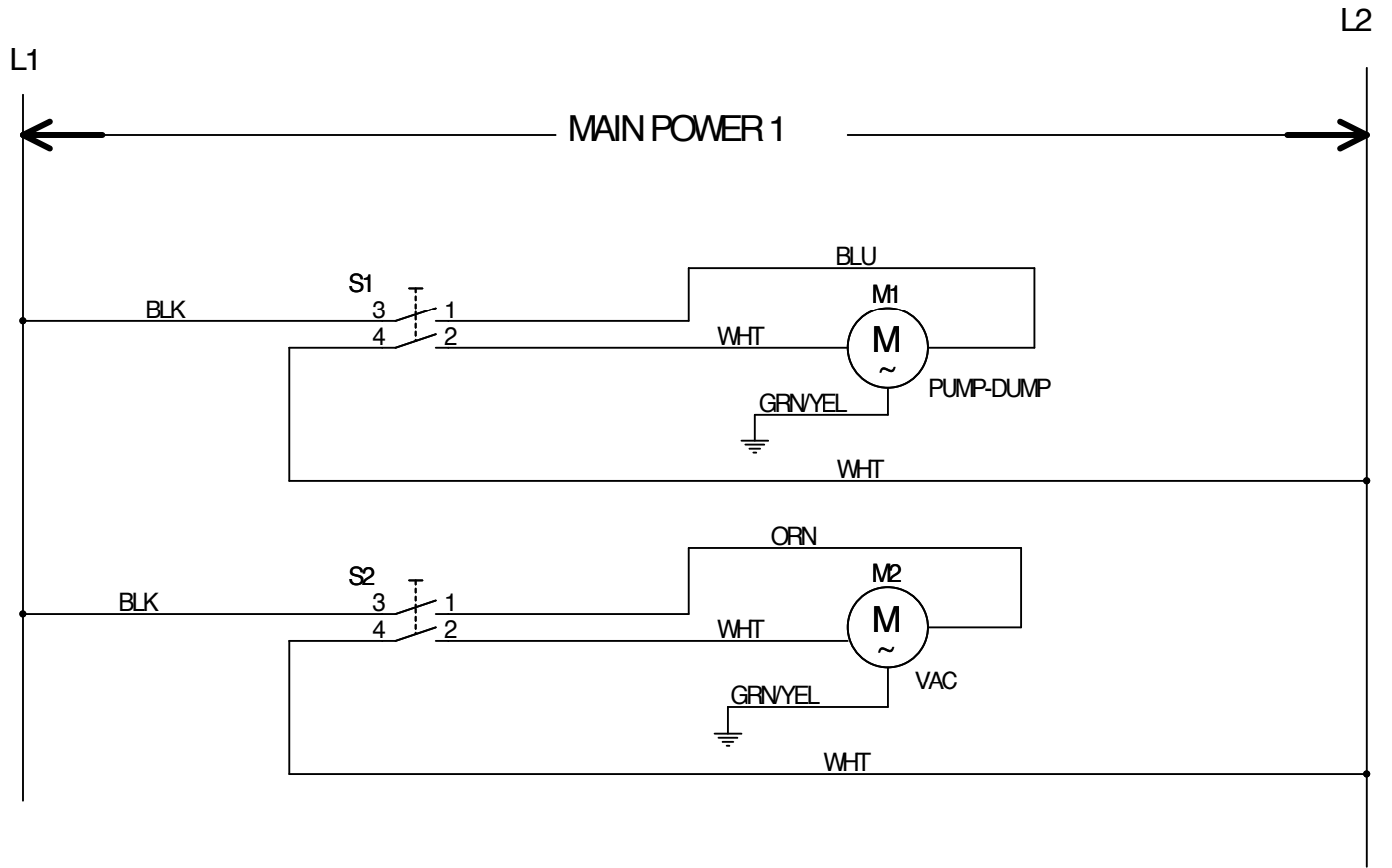


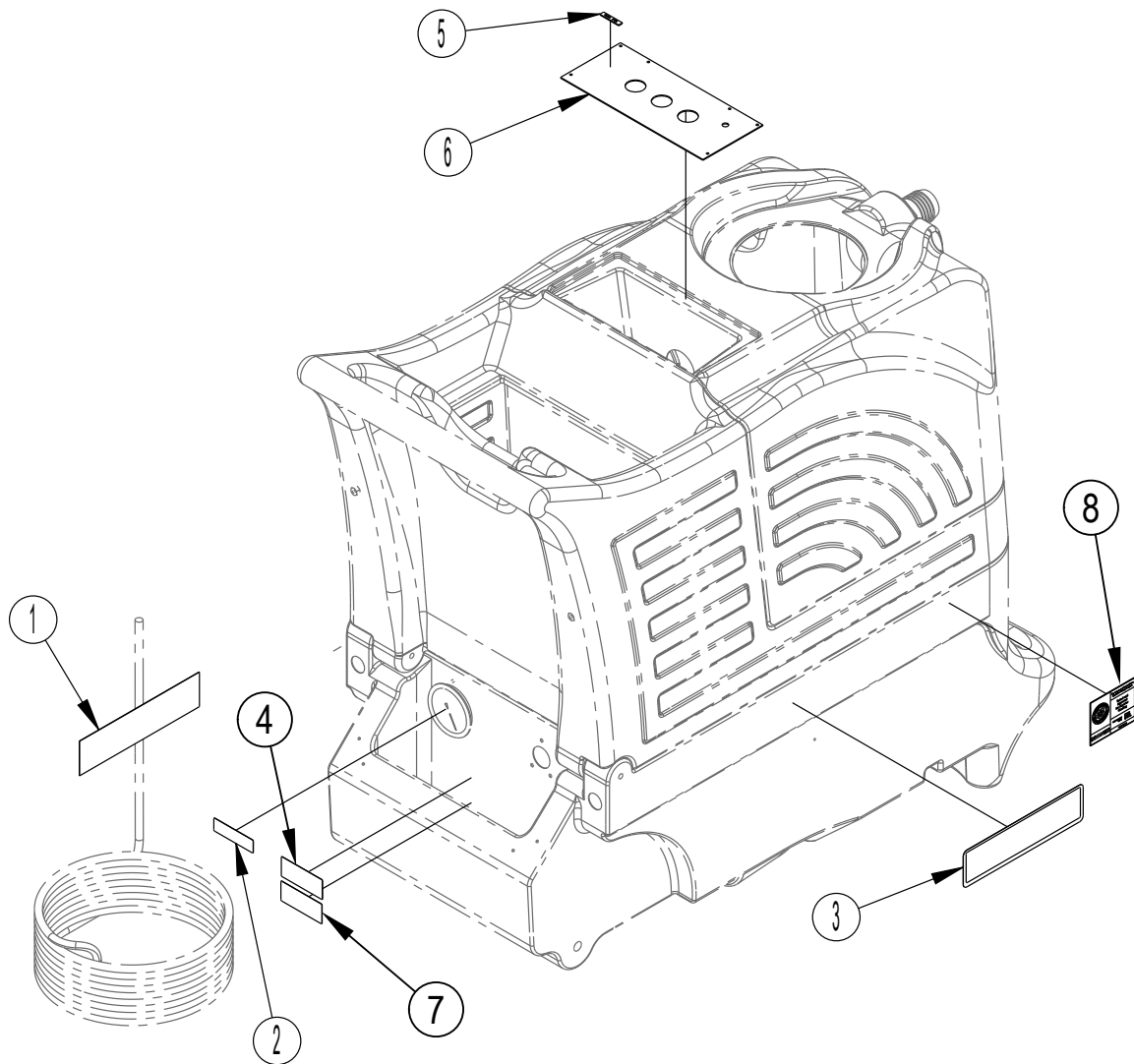
LADDER DIAGRAM - DUAL CORD

Kit	Item	Ref. No.	Qty	Description
	E1	56105375	1	Heater 1750w 120v
	H2	56113091	1	Light Green 250V Assy
K1	M1		1	Motor A/C 1/3 Hp For 300 Psi P (400 PSI) TSB-FC-2015-032
K2			1	Pump 100 PSI (100 PSI)
	M2	56105255	1	Vac Motor-13A-120V-3 Stage NOTE 1
	[]	56113056	1	Vac Motor Brush Kit-120V (for 408G)
	P1	423-120-240	1	Hour Meter 115/230 Volts With (optional)
	S1	1623R	1	Switch On-Off Illuminated Cle

Item	Ref. No.	Qty	Description
S2	1623R	1	Switch On-Off Illuminated Cle
S3	1623R	1	Switch On-Off Illuminated Cle
S4		1	Thermostat
S5		1	Part of E1
Service Kits			
K1	56105217	1	Kit-Pump Complete 100PSI
K2	56105218	1	Kit-Pump Complete 400PSI TSB-FC-2015-032

NOTE 1: Vac Motor 56105255 replaces Vac Motor 408G as of December 29, 2014.





LADDER DIAGRAM - SINGLE CORD

Kit	Item	Ref. No.	Qty	Description
K1	M1		1	Pump 100 PSI
	M2	56105255	1	Vac Motor-13A-120V-3 Stage NOTE 1
	[]	56113056	1	Vac Motor Brush Kit-120V (for 408G)

	S1	1623R	1	Switch On-Off Illuminated Cle
	S2	1623R	1	Switch On-Off Illuminated Cle

Service Kits

	K1	56105217	1	Kit-Pump Complete 100PSI
--	----	----------	---	--------------------------

NOTE 1: Vac Motor 56105255 replaces Vac Motor 408G as of December 29, 2014.

DECAL SYSTEM

Item	Ref. No.	Qty	Description
1	4339	2	Label Caution / Extension Cord
2	4344	1	Label Gauge Priming Warning 2 (400 PSI)
3	56105396	2	Decal-ET600
4	56380692	1	Label Danger Electric Shock
5	2167-400	1	Label Advantage 400 PSI
	2167-100	1	Label Advantage 100 PSI
6	2167-2C	1	Overlay Advantage (100 & 400 PSI)
	56105387	1	Switchplate Overlay-100 NH (100 PSI NH)
7	1503A	1	Label Danger Electric Shock
8	2001A-CRI	2	Decal-Cri Bronze (all models except 56105312)



Advance

9435 Winnetka Ave North
Minneapolis, MN 55445
www.advance-us.com
Phone: 800-989-2235
Fax: 800-989-6566
©2016 Nilfisk, Inc.

A Nilfisk Brand