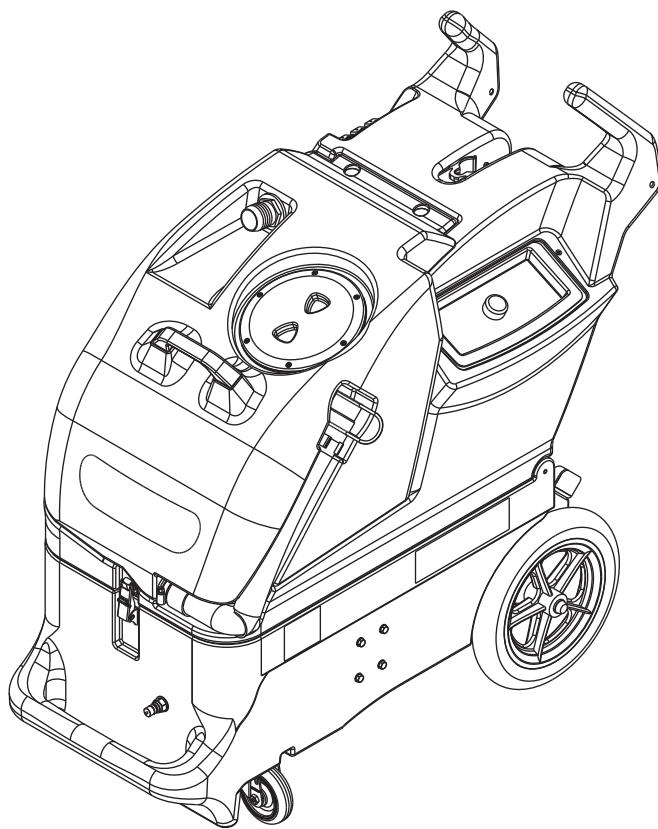


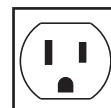
ET610

Parts List

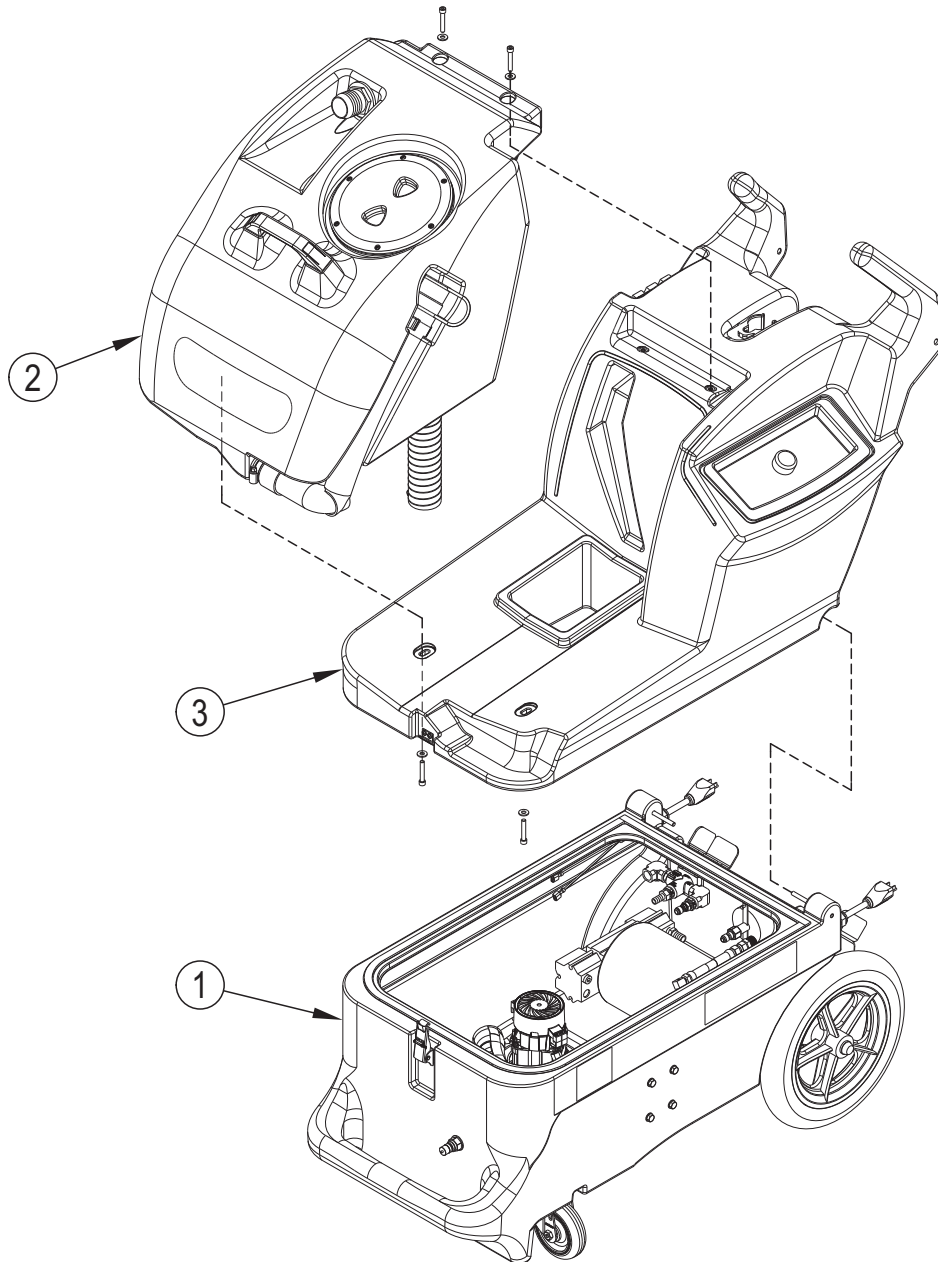
5/2015 revised 6/2018 REV C
Form no. 56042650



Models:
56105292(100C) (cold), 56105293(100H) (heated),
56105294(100SC) (single cord, heated)



GENERAL VIEW



Item	Ref. No.	Qty	Description
1		1	Base System
2		1	Recovery System
3		1	Solution System

TABLE OF CONTENTS

DESCRIPTION	PAGE
General View	2
Decal System.....	4 - 5
Base System Heated	6 - 7
Base System Cold	8 - 9
Recovery System.....	10 - 11
Solution System.....	12 - 13
Ladder Diagram - Single Cord Heated.....	14
Ladder Diagram - Dual Cord Heated	15
Ladder Diagram - Single Cord Cold.....	16
Options & Accessories	17
Water Flow Diagram Heated.....	18
Water Flow Diagram Cold.....	19

WHEN ORDERING PARTS

* Use the part numbers from the "Ref. No." columns in this parts list. If the "Ref. No." column is blank; look under the "Kit" column to identify which kit contains the part in question, then use the kit callout, for example "K1", to find the "Ref. No." for that kit.

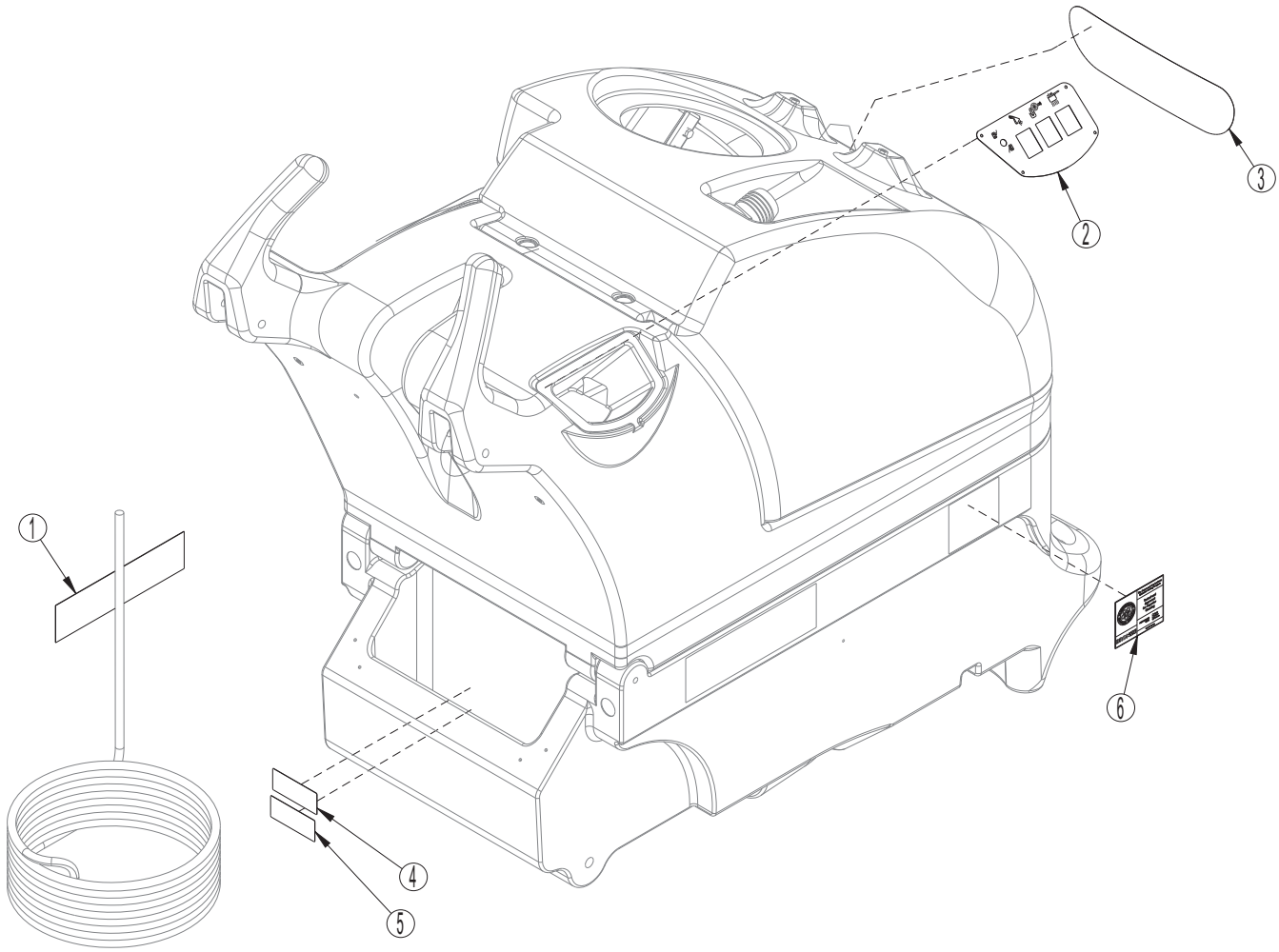
Kit	Item	Ref. No.	Qty	Description
K1	1		16	Washer Flat 3/16 Zinc Plat
K1	2		2	Screw-BHS-Brass-10-32x3/8-MS
K1	3		3	Washer EPDM 7/32 X 1/8
	4	805	1	Chain-Cover
	5	905	2	Caster Swivel 4 Gray Non MA
K1	6		2	Nut, Hex Nyl Loc 10-24
K1	7		3	Scr- Hex SS 1/4-20 X .75
K1	8		16	Scr, Hex Hd Loc 1/4-20 x .50
K1	9		3	Wsh, Flt SS .260 X 1.000 X .074
	10	56113012	1	Solution Tank
	11	56113034	2	Hinge Plate
K1		56113103	1	Kit-Hardware Solution Tank

* Specify the model number and serial number of the machine.

* Use the space below to record the model and serial number for future reference.

Model No. _____ Serial No. _____

DECAL SYSTEM

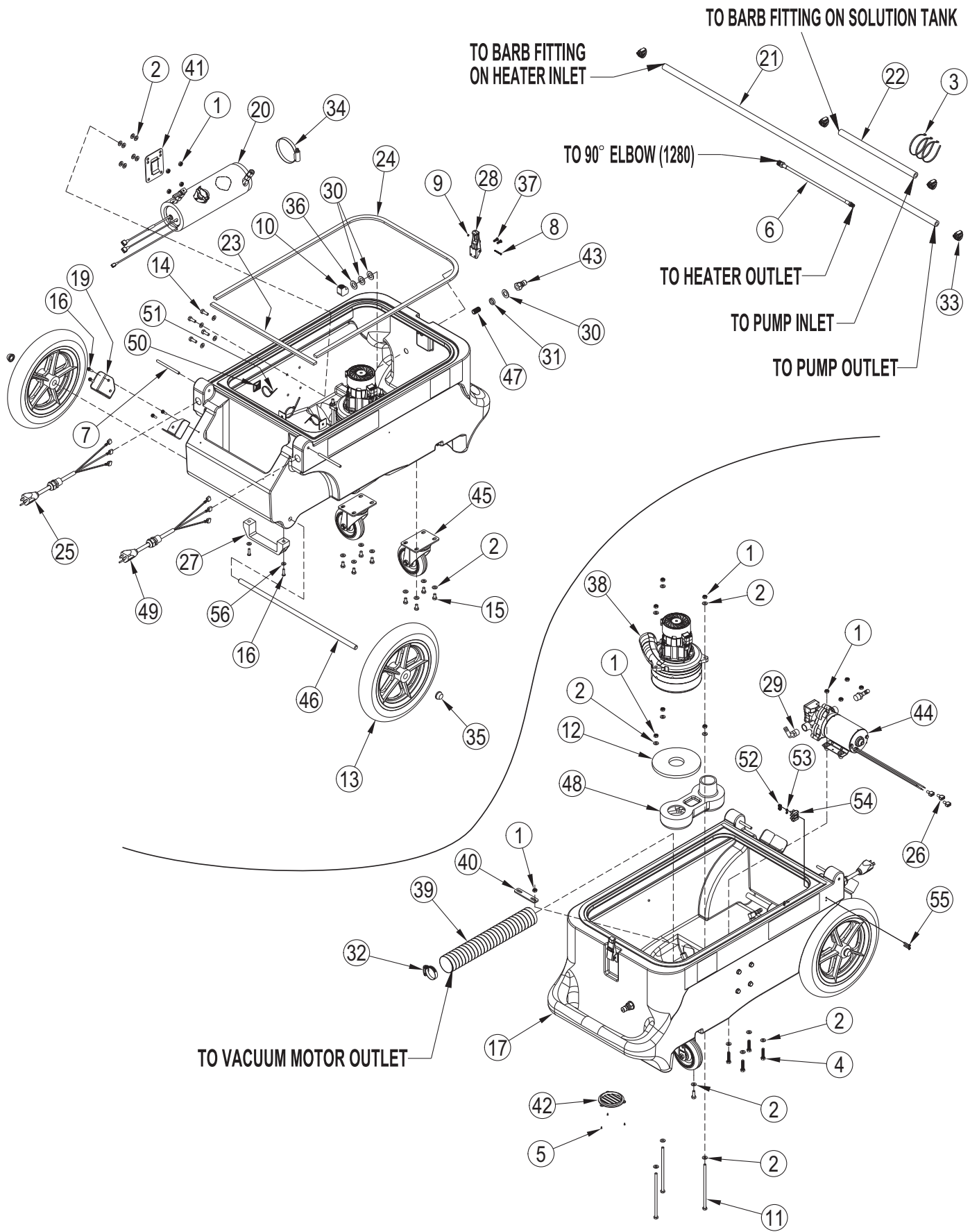


DECAL SYSTEM

<u>Item</u>	<u>Ref. No.</u>	<u>Qty</u>	<u>Description</u>
1	4339	1	Label Caution / Extension Cord qty of 2 used on 100H (model 56105289)
2	56105380	1	Switchplate Overlay-100 SC only used on 100SC (model 56105294)
	56105381	1	Switchplate Overlay-100 only used on 100H (model 56105293)
	56105441	1	Switchplate Overlay 100C only used on 100C (model 56105292)
3	56113168	1	Decal-ET610
4	56380692	1	Label Danger Electric Shock
5	1503A	1	Label Danger Electric Shock NOTE 1
6	2001A-CRI	2	Decal-CRI Bronze NOTE 1

NOTE 1 = Only used on 100H (models 56105293)

BASE SYSTEM HEATED



BASE SYSTEM HEATED

Kit	Item	Ref. No.	Qty	Description
K1	1#		15	Nut Hex Nyl Loc 1/4-20
K1	2		34	Washer Flat 3/16 Zinc Plat
	3	79	3	Tie, 8" Black
K1	4#		4	Scr Hex Ss 1/4-20 X 1.25
K1	5		3	Screw-Fhp-Ss-2x1/4-Sms
	6	313	1	Hose S/S Braided Teflon 1/4
	7	801	2	Hinge Pin Rod S/S 1/4 X
K1	8		1	Screw 2-56 X1 Panhead Philip
K1	9		1	Nut, Finish 2-56 Thread Zp
	10	1280	1	Elbow 90 Deg 1/4 Fpt X 1/4 F
K1	11		3	Bolt 1/4 X 20 6l Full Threa
	12	2013	1	Gasket 1 Side Adhesive 5-1/2 O
	13	2092	2	Wheel 12"X1" Black On Gray 1/2" Axle
K1	14		5	Scr- Hex SS 1/4-20 X .75
K1	15		8	Scr. Hex Hd Loc
	16	56009005	6	Scr. Pan Phil Ss Type AB 10-16 X .75
	17	56105455	1	Base-Dark Gray-100SC NOTE 1
		56105442	1	Base-Dark Gray-100H NOTE 2
	[]	56105258	1	Harness-Main
	19	56105370	2	Wand Bracket
	20	56105371	1	Heater 1100w 120V NOTE 1
		56105372	1	Heater 1750w 120V NOTE 2
	21	56105398	1	Hose 3/8 Id Red
	22	56105399	1	Hose 3/8 Id Red
	23	56105407	1	Gasket-Poron 1/4x1/2x16.5
	24	56105408	1	Gasket-Poron 1/4x1/2x63.5
	25	56105262	1	Power Cord Pigtail-Yellow
K2	26		3	Term .250 Ins Tab
K3	27		1	Handle-Grab
	28	56471194	1	Latch Assembly
K2	29		2	Hose Barb Nylon 90 3/8 X 3/8
K1	30		3	Washer 1 Od X 9/16 Id X
	31	116A	1	Bushing 3/4 X 9/16
	32	156USP	1	Hose Clamp-Size 28-1-9/16- 2 1/2
	33	166USP	4	Hose Clamp-SS-3/8-7/8
	34	198USP	1	Hose Clamp 48 3-1/2dia 9

Kit	Item	Ref. No.	Qty	Description
	35	27AUSP	2	Axel Cap Black Pal Nut
K1	36		1	Washer Brass Half Hard 1 X
K1	37		2	Bolt-Php-SS-8-32x1/2
	38	56105255	1	Vacuum Motor, 3-Stage, 5.7
		56113056	1	Vac Motor Brush Kit-120V (for 56105255)
	39	430A	1	Vac Hose 2" ID X 13.5 Black Rubber
	40	4404C	1	Tank Mate Bar
	41	455USP	1	Mount Heat Exchanger
	42	459USP	1	Louver 2-1/2 Gray Plastic
	43	45USP	1	Quick Disconnect Plug Male
K2	44		1	Pump 100 PSI
	45	905USP	2	Caster Swivel 4 Gray Non Ma
	46	910-1863	1	Axel Rod Zinc Plated 1/2 Ro
	47	92AUSP	1	Nipple Stainless Steel 1/4 Pip
	48	MA-6	1	Manifold For Cobra Black
	49	56105263	1	Power Cord Pigtail-Red NOTE 2
	50	1312	3	Mounting Pad
	51	35	3	Tie 4 Black Weather Resis
	52	16	4	Nut Nylon Lock 6/32 Z.P. NOTE 4
	53	56002431	4	Wsh Fit SAE 4 NOTE 4
	54	56183523	2	Terminal Block NOTE 3
	55	56002857	4	Scr Pan Phil 6-32 X .88 NOTE 4
K3	56		2	Wsh-Fit SAE SS #10
	[]	SUBSYP1	1	Syphon-Hose-HHP-12
	[]	2154	2	Power Cord 12/3 SJTW 25 Y NOTE 3

Service Kits

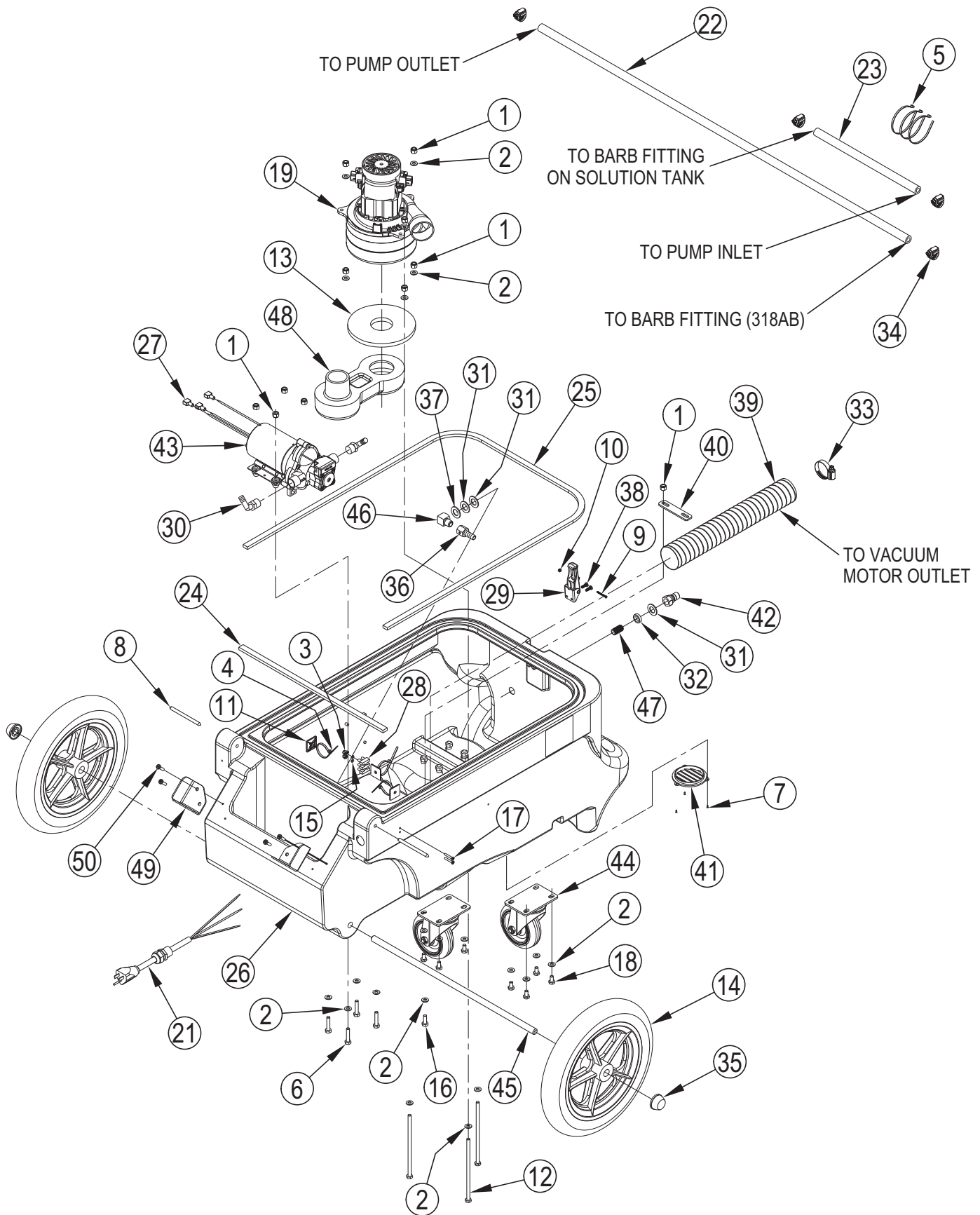
K1	56105216	1	Kit-Hardware Base
K2	56105217	1	Kit-Pump Complete 100PSI
K3	56385051	1	Grab Handle Kit
[]	FP256	1	Repair Kit Heat Bi-Metallic NOTE 2
[]	FP256B	1	Repair Kit Heat Bi-Metallic NOTE 1

[] = Not Shown

= Revised or new since last update

NOTE 1: Only used on 100SC (model 56105294)**NOTE 2:** Only used on 100H (model 56105293)**NOTE 3:** Qty of 1 used on 100SC (model 56105294)**NOTE 4:** Qty of 2 used on 100SC (model 56105294)

BASE SYSTEM COLD



BASE SYSTEM COLD

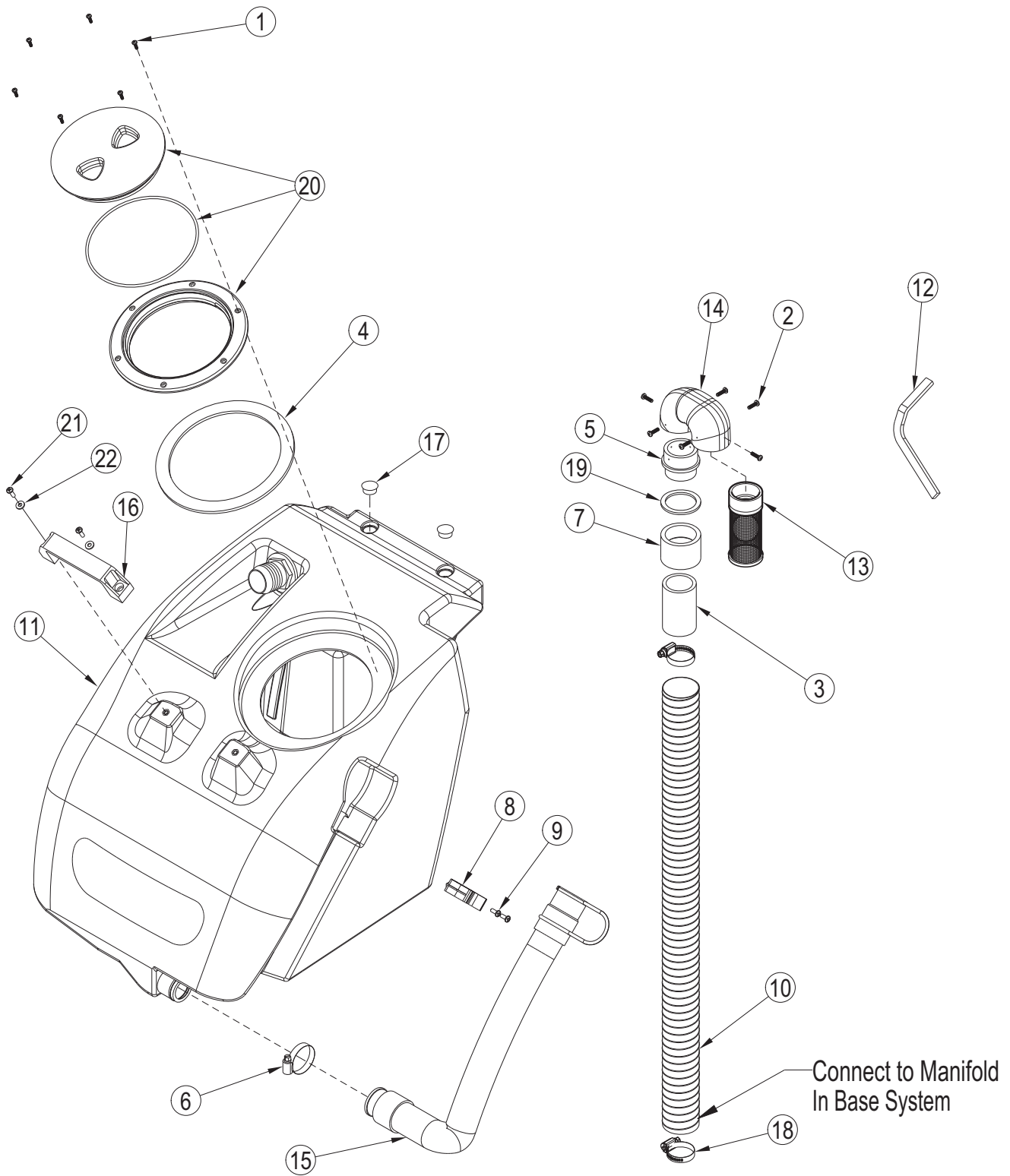
Kit	Item	Ref. No.	Qty	Description
K1	1#		15	Nut Hex Nyl Loc 1/4-20
K1	2		22	Washer Flat 3/16 Zinc Plat
	3	16	2	Nut Nylon Lock 6/32 Z.P.
	4	35	3	Tie 4 Black Weather Resis
	5	79	3	Tie, 8" Black
K1	6#		4	Scr Hex Ss 1/4-20 X 1.25
K1	7		3	Screw-Fhp-SS-2 x 1/4-Sms
	8	801	2	Hinge Pin Rod S/S 1/4 X
K1	9		1	Screw 2-56 X1 Panhead Philip
K1	10		1	Nut. Finish 2-56 Thread Zp
	11	1312	3	Mounting Pad
K1	12		3	Bolt 1/4 X 20 6l Full Threa
	13	2013	1	Gasket 1 Side Adhesive 5-1/2 O
	14	2092	2	Wheel 12"X1" Black On Gray 1/2" Axle
	15	56002431	2	Wsh, Flt SAE #4
K1	16		1	Scr- Hex SS 1/4-20 X .75
	17	56002857	2	Scr-Pan Phil 6-32 X .88
K1	18		8	Scr-Hex Hd Loc 1/4-20 x .50
	19	56105255	1	Vac Motor-13A-120V-3 Stage
	[]	56105258	1	Harness-Main
	21	56105262	1	Power Cord Pigtail-Yellow
	22	56105398	1	Hose 3/8 ID Red
	23	56105399	1	Hose 3/8 ID Red
	24	56105407	1	Gasket-Poron 1/4 x 1/2 x 16.5
	25	56105408	1	Gasket-Poron 1/4 x 1/2 x 63.5
	26	56105455	1	Base-Dark Gray-100C
K2	27		3	Term .250 Ins Tab

Kit	Item	Ref. No.	Qty	Description
	28	56183523	1	Terminal Block
	29	56471194	1	Latch Assembly
K2	30		2	Hose Barb Nylon 90 3/8 x 3/8
K1	31		3	Washer Fiber 1 x 9/16 x 1/16
	32	116A	1	Bushing 3/4 X 9/16
	33	156USP	1	Hose Clamp-Size 28-1-9/16- 2 1/2
	34	166USP	4	Hose Clamp 3/8-7/8
	35	27AUSP	2	Axel Cap Black Pal Nut
	36	318AB	1	Hose Barb Solution Tank Standard
K1	37		1	Washer Brass Half Hard 1 X
K1	38		2	Bolt 8-32 X 1/2 Pan Head
	39	430A	1	Vac Hose 2" ID X 13.5 Black Rubber
	40	4404C	1	Tank Mate Bar
	41	459USP	1	Louver 2-1/2 Gray Plastic
	42	45USP	1	Quick Disconnect Plug 1/4 NPT
K2	43		1	Pump 100 PSI
	44	905USP	2	Caster Swivel 4 Gray Non Ma
	45	910-1863	1	Axel Rod Zinc Plated 1/2 Ro
	46	91USP	1	Elbow 90 Deg Angle 1/4 Male
	47	92AUSP	1	Nipple Stainless Steel 1/4 Pip
	48	MA-6	1	Manifold For Cobra Black
	49#	56105370	2	Wand Bracket
	50#	56009005	4	Scr Panphils Type A 10-16x.75
	[]	SUBSYP1	1	Syphon-Hose-HHP-12
	[]	2154	1	Power Cord 12/3 SJTW 25 Y
Service Kits				
K1	56105216		1	Kit-Hardware Base
K2	56105217		1	Kit-Pump Complete 100PSI

[] = Not Shown

= Revised or new since last update

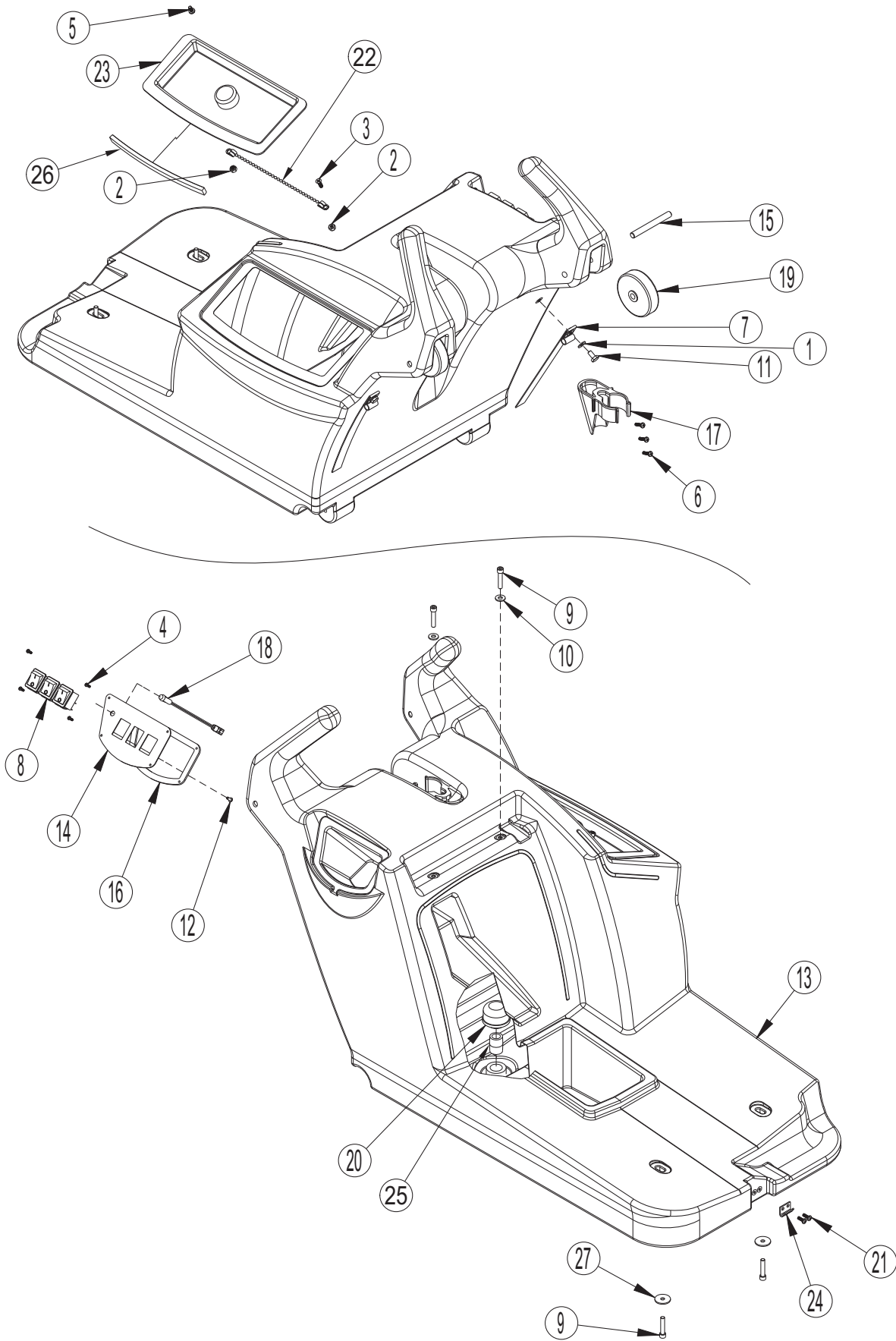
RECOVERY SYSTEM



RECOVERY SYSTEM

Kit	Item	Ref. No.	Qty	Description
K1	1		6	Screw-Php-SS-6x1/2-Sms
K2	2		6	Screw H-Low 8 x 3/8 PA
	3	935	3 IN	PVC Pipe 1-1/2 Sch 40 (3 in.)
K1	4		1	Gasket-Lid-Xlpe-6.5idx3/16 Thick
K2	5		1	Adapter Abs 1-1/2 Trap SI
	6	1518	1	Hose Clamp 3/4 X 1 3/4 SS
	7	1528	1	Adapter Female 1 1/2
	8	56392171	1	Clamp, Plastic
	9	56001993	2	Scr-Pan Phil 10-24 X .50
	10	56105241	1	Vac Hose-2.0 Id X 30.00 In
	11	56105451	1	Recovery Tank-Gray
	12	56105363	1	Gasket
K2	13		1	Filter S/S Ball Float
K2	14		1	Manifold-Ball Float
	15	56113125	1	Drain Hose
		56113126	1	Replacement Drain Hose Cap (for use on 56113125)
K3	16		1	Handle-Grab
	17	56900041	2	Plug, Cap
	18	156USP	2	Hose Clamp-Size 28-1-9/16- 2 1/2
K2	19		1	Washer Flat 1-3/4 Id X 2-1
K1	20		1	Lid-Clear With Ring
		56383436	1	O-Ring For 56383435 Lid
K3	21		2	Scr-Pan Phil SS 10-24 x .62
K3	22		2	Wsh-Fit SAE SS #10
Service Kits				
K1	56105214		1	Lid Kit-Recovery Tank
K2	56105237		1	Kit-Ball Float Assy
K3	56385051		1	Grab Handle Kit

SOLUTION SYSTEM



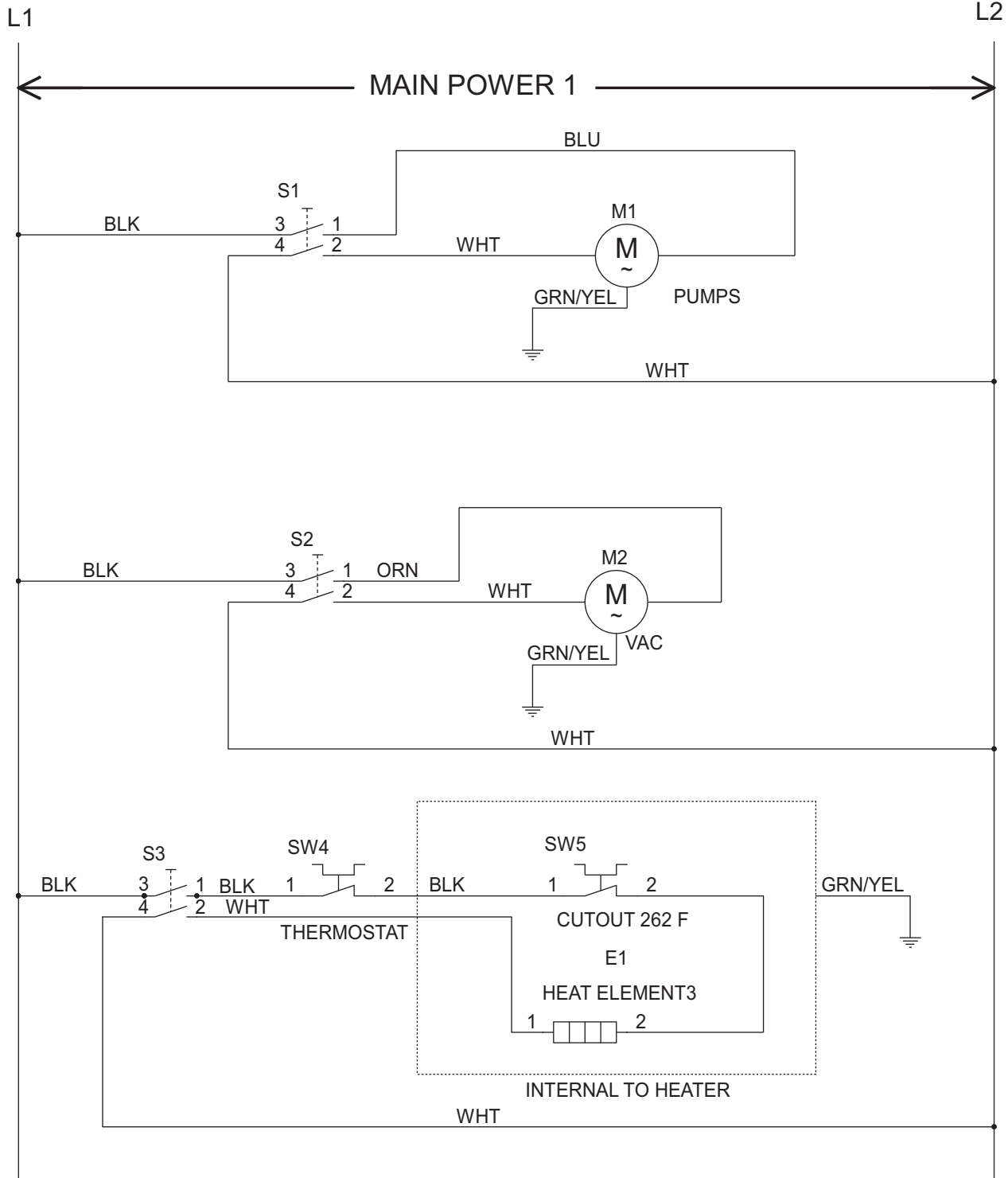
SOLUTION SYSTEM

<u>Item</u>	<u>Ref. No.</u>	<u>Qty</u>	<u>Description</u>
K1	1	2	Washer Flat 3/16 Zinc Plat
K1	2	2	Nut-Nylon Lock-SS-10-32
K1	3	1	Fhp-10-32 5-8
K1	4	4	Screw-Php-SS-4x3/8-Sms
K1	5	1	Screw-Bhs-Brass-10-32 x 3/8-MS
K1	6	3	Screw-Ph-Combo-Tapping-8 x 5/8 Ab
	7	1603	Strap/Buckle Cord Wrap W/Spur
	8	1644	Switch Rocker Dpst On/Off 20 NOTE 1
K1	9	4	Screw 1/4-20 X 1-1/4" Allen Head SS
K1	10	2	Wsh-Fit SAE SS 1/4
K1	11	2	Scr. Hex Hd Loc
K1	12	1	Scr-Pan Phil 6-32 X .31
	13	56105446	Solution Tank-Gray
	14	56105361	Switchplate NOTE 3 100H
		56105440	Switchplate NOTE 4 100C
		56105385	Switchplate NOTE 5 100SC
	15	56105362	Wheel Axle
	16	56105397	Gasket Switchplate
	17	56113020	Wand Clip
	18	56113091	Light Green 250v Assy NOTE 3
	19	56324499	Wheel 3.00
	20	207A	Filter 40 Mesh S/S 1/2NPT Fem
K1	21	2	Bolt-Php-SS-8-32x1/2
	22	805USP	Chain-Cover
	23	901A	Lid-Tank-Sol
	24	909A	Latch-Strike-SS-No 8 Hole
	25	92BUSP	Nipple PVC 1/2 N.P.T.
	26	56105363	Gasket
K1	27	2	Wsh,Fit SS .260 x 1.000 x .074
	[]	56105204	Jumper Wire WHT for 100SC NOTE 2
	[]	56105205	Jumper Wire BLK for 100SC NOTE 2
			Service Kit
K1	56105225	1	Kit-Hardware Solution Tank

[] = Not Shown

NOTE 1: Quantity is 2 on 100C (model 56105292)**NOTE 2:** Only used on 100SC and 100 C (models 56105294 & 56105292)**NOTE 3:** Only used on 100H (model 56105293)**NOTE 4:** Only used on 100C (model 56105292)**NOTE 5:** Only used on 100SC (model 56105294)

LADDER DIAGRAM – SINGLE CORD HEATED



Kit Item Ref. No. Qty Description

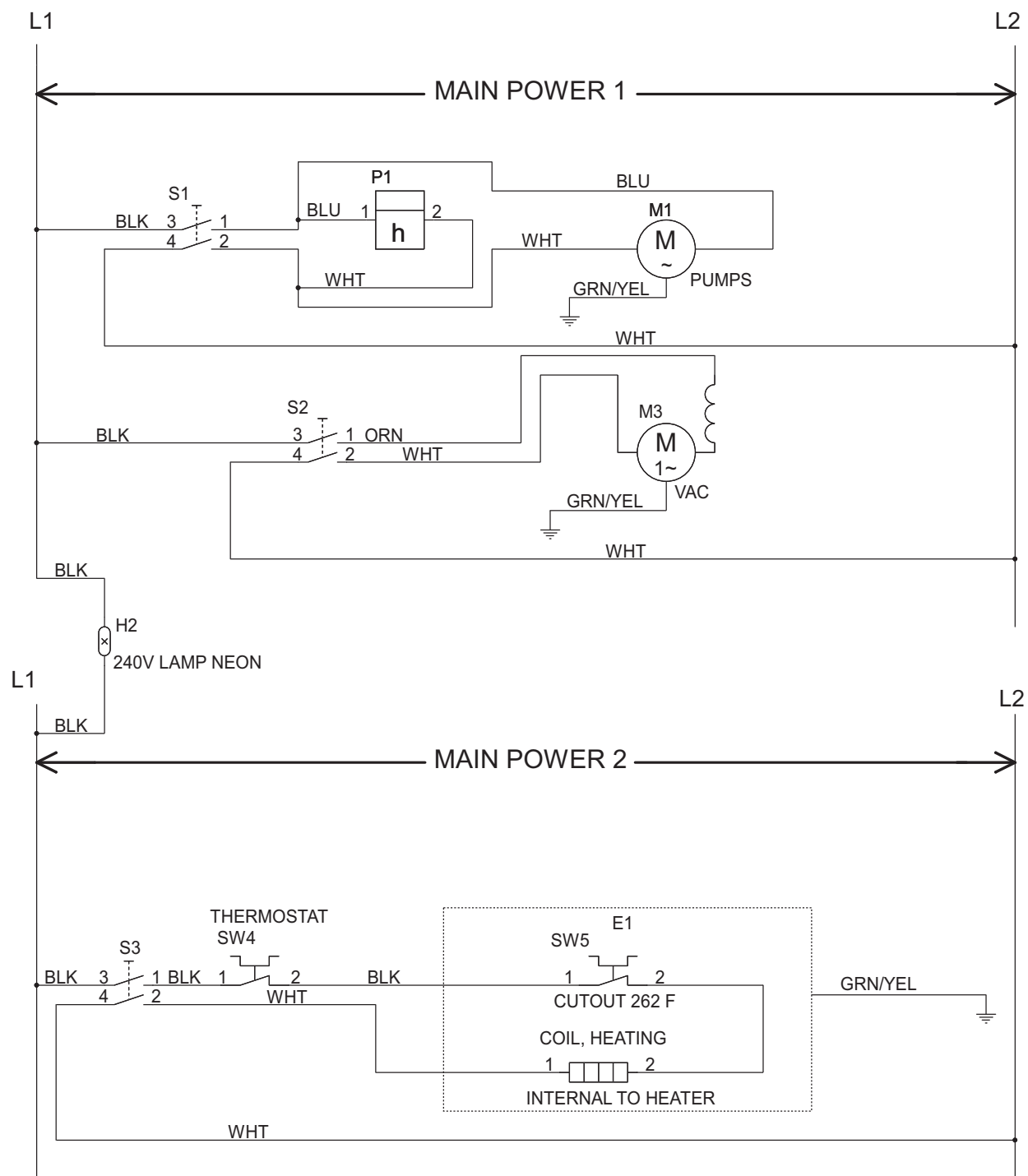
E1	56105371	1	Heater 1100w 120V
M1	56105217	1	Kit-Pump Complete 100PSI
M2	56105255	1	Vacuum Motor, 3-Stage, 5.7
	56113056	1	Vac Motor Brush Kit-120V (for 56105255)
S1	1644	1	Switch Rocker Dpst On/Off 20A 125-250vac ul
S2	1644	1	Switch Rocker Dpst On/Off 20A 125-250vac ul
S3	1644	1	Switch Rocker Dpst On/Off 20A 125-250vac ul
K1	SW4	1	Thermostat (part of E1)
K1	SW5	1	Thermal Cut-Out 262 Deg (part of E1)

Service Kit

K1	FP256B	1	Repair Kit Heat Bi-Metallic
----	--------	---	-----------------------------

- BLK = Black
- BLU = Blue
- GRN = Green
- ORN = Orange
- WHT = White
- YEL = Yellow

LADDER DIAGRAM – DUAL CORD HEATED



Kit Item	Ref. No.	Qty	Description
----------	----------	-----	-------------

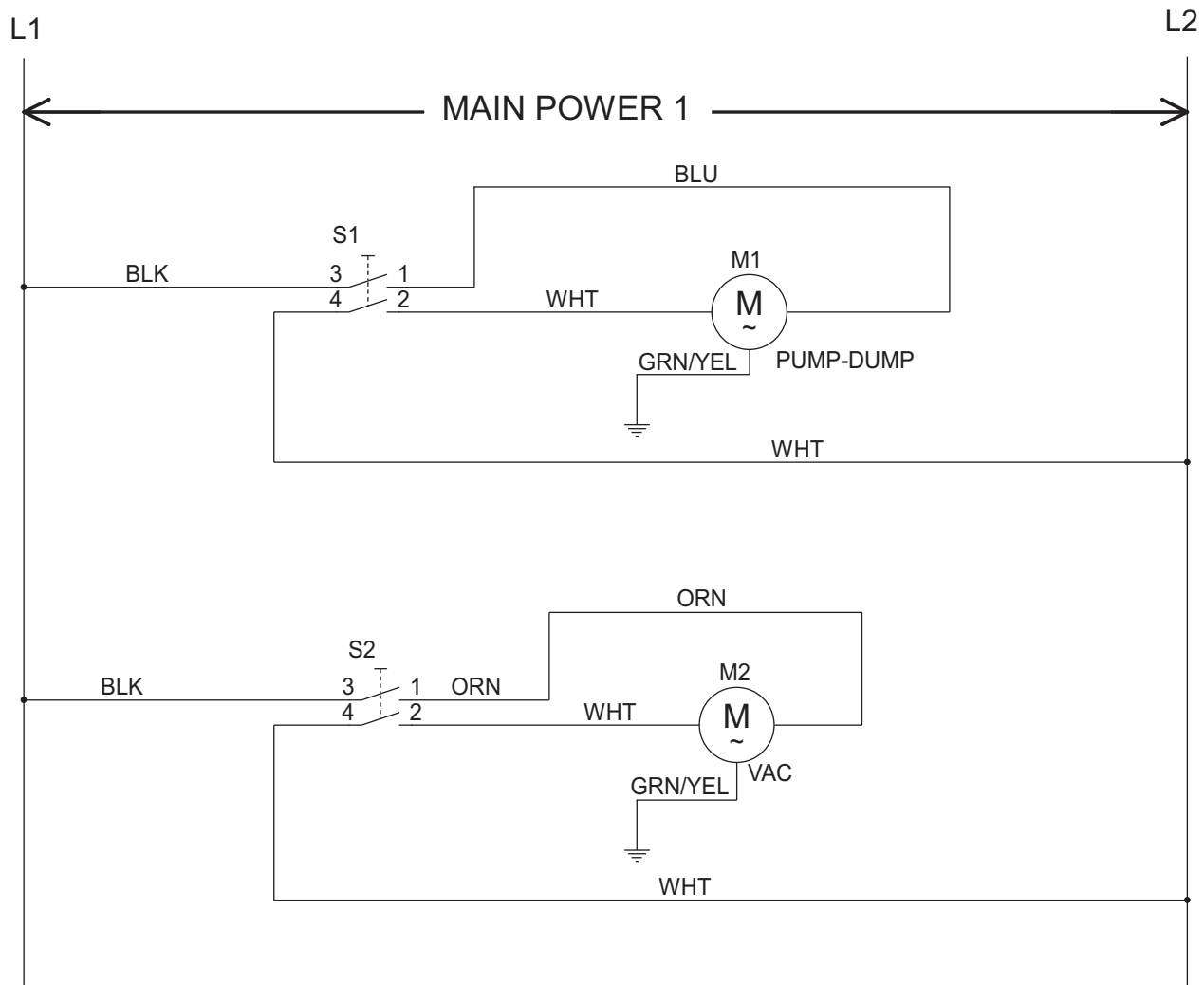
E1	56105372	1	Heater 1750w 120V
H2	56113091	1	Light Green 250v Assy
M1	56105217	1	Kit-Pump Complete 100PSI
M3	56105255	1	Vacuum Motor, 3-Stage, 5.7
	56113056	1	Vac Motor Brush Kit-120V (for 56105255)
P1	423-120-240	1	Hour Meter (optional)
S1	1644	1	Switch Rocker Dpst On/Off 20A 125-250vac ul
S2	1644	1	Switch Rocker Dpst On/Off 20A 125-250vac ul
S3	1644	1	Switch Rocker Dpst On/Off 20A 125-250vac ul
K1	SW4	1	Thermostat (part of E1)
K1	SW5	1	Thermal Cut-Out 262 Deg (part of E1)

Service Kit

K1	FP256	1	Repair Kit Heat Bi-Metallic
----	-------	---	-----------------------------

BLK = Black
 BLU = Blue
 GRN = Green
 ORN = Orange
 WHT = White
 YEL = Yellow

LADDER DIAGRAM – SINGLE CORD COLD



Kit	Item	Ref. No.	Qty	Description
-----	------	----------	-----	-------------

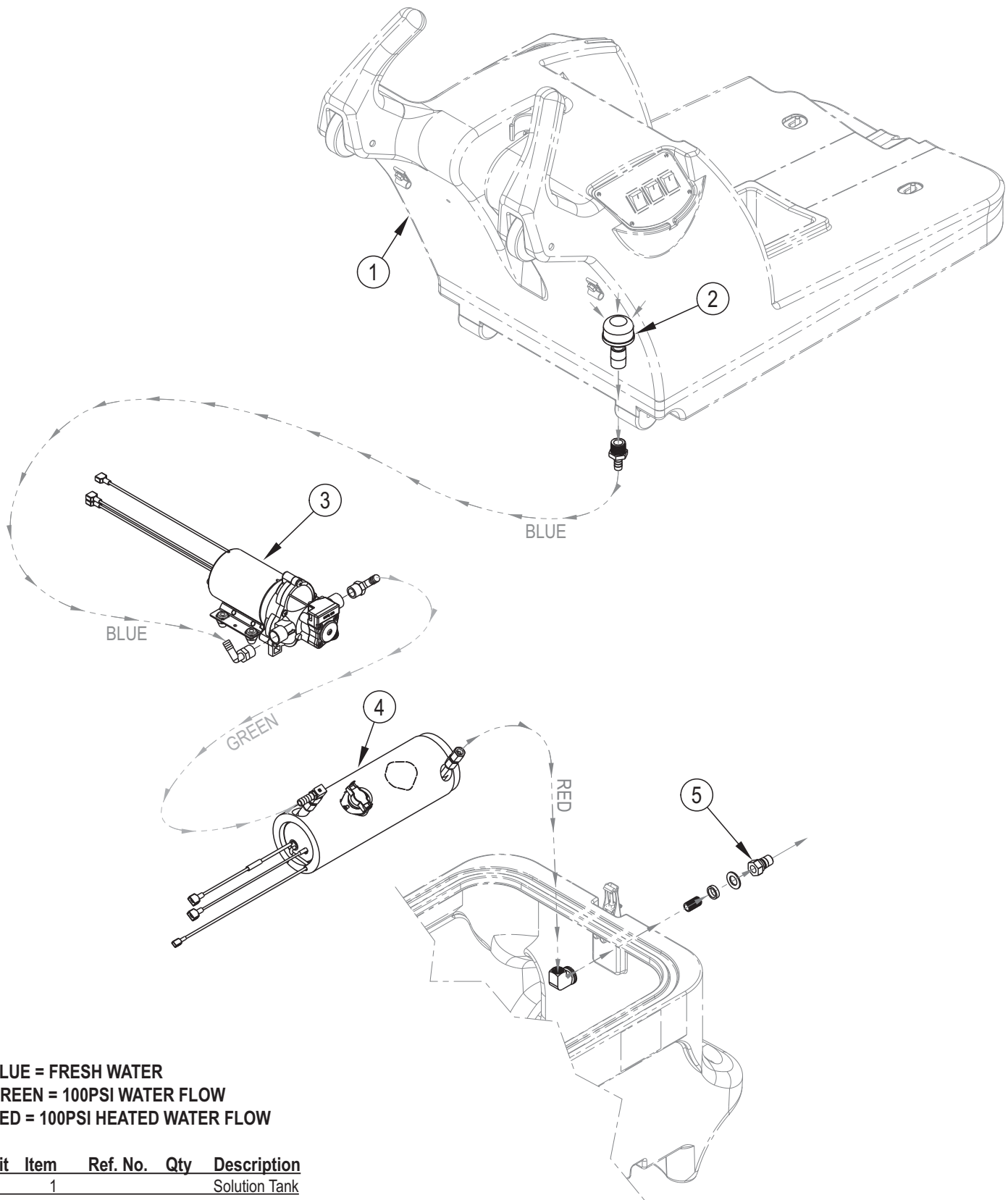
	M1	56105217	1	Kit-Pump Complete 100PSI
	M3	56105255	1	Vacuum Motor, 3-Stage, 5.7
		56113056	1	Vac Motor Brush Kit-120V (for 56105255)
	S1	1644	1	Switch Rocker Dpst On/Off 20A 125-250vac ul
	S2	1644	1	Switch Rocker Dpst On/Off 20A 125-250vac ul

BLK = Black
 BLU = Blue
 GRN = Green
 ORN = Orange
 WHT = White
 YEL = Yellow

OPTIONS & ACCESSORIES

<u>Kit</u>	<u>Item</u>	<u>Ref. No.</u>	<u>Qty</u>	<u>Description</u>
		56113108	1	Kit-Hour Meter 120/240 (can only be used on 100H)
		FPHT-5	1	Hand Tool Detailer S/S
		FP153	1	Vac Hose/Pressure LN 15 Extr
		56044705	1	Literature Pack
		FP195	1	Vac Hose/Pressure Line 25' 1/8
		FP196	1	Vac Hose/Pressure Line 25' Extension
		CSW-12	1	Carpet Scrub Wand 12 Head-Lp
		CSW-12HP	1	Carpet Scrub Wand 12 Head Doub
		56384976	1	Aqua Wand-150/300/500-1.5X13IN

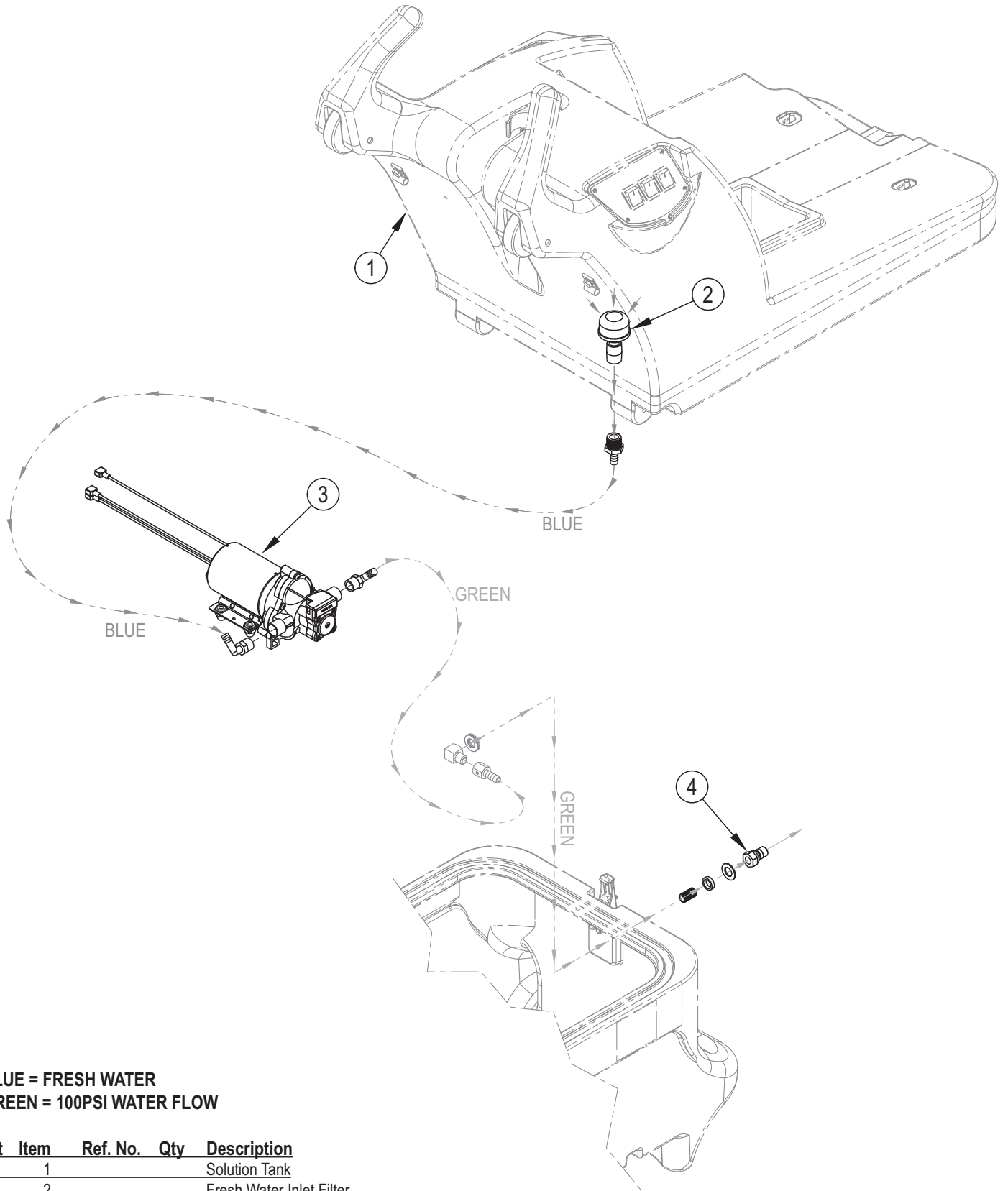
WATER FLOW DIAGRAM HEATED



BLUE = FRESH WATER
 GREEN = 100PSI WATER FLOW
 RED = 100PSI HEATED WATER FLOW

Kit	Item	Ref. No.	Qty	Description
	1			Solution Tank
	2			Fresh Water Inlet Filter
	3			100PSI Pump
	4			Heat Exchanger
	5			100PSI Quick Connect

WATER FLOW DIAGRAM COLD



BLUE = FRESH WATER
GREEN = 100PSI WATER FLOW

<u>Kit</u>	<u>Item</u>	<u>Ref. No.</u>	<u>Qty</u>	<u>Description</u>
	1			Solution Tank
	2			Fresh Water Inlet Filter
	3			100PSI Pump
	4			100PSI Quick Connect

9435 Winnetka Ave North
Minneapolis, MN 55445
www.advance-us.com
Phone: 800-989-2235
Fax: 800-989-6566
©2018 Nilfisk, Inc.

