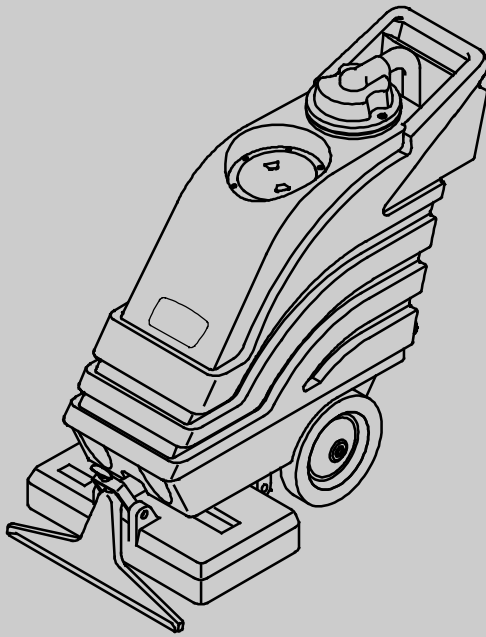
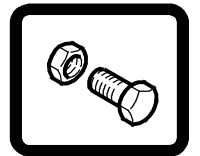




EX- SC- 3840 EX- SC- 3851

Self-Contained Carpet Extractor

Parts Manual



Model Part No.:

- 9007351 - EX- SC- 3840 (230V 50Hz)
- 9007654 - EX- SC- 3840 (230V 60Hz)
- 9007819 - EX- SC- 3851 (220V)
- 9007490 - EX- SC- 3851 (240V) EMC



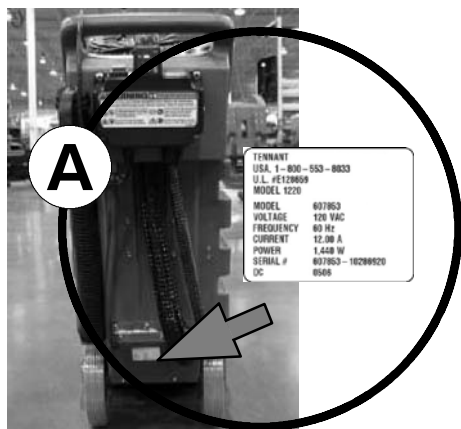
For the latest Parts manuals and other language Operator manuals, visit:

www.tennantco.com/manuals

www.tennantco.com

9007689
Rev. 02 (03-2014)





Ref	Part No.	Serial Number	Description	Qty.
1	82681	(000000-)	Bracket Wldt, Lpg Mount	1
∇ 2	63810	(000000-)	Latch Assy, Lpg Tank Mtg, W/Nut	4
▲ 3	51839	(000000-)	Nut Adjustable, Lpg Tank Mtg	2
4	49263	(000000-)	Tie, Cable	3
82556	82556	(000000- 001039)	Bracket, Vaporizer	1
54930	54930	(000000-)	Vaporizer	1

HOW TO ORDER PARTS - See diagram above

Only use TENNANT Company supplied or equivalent parts. Parts and supplies may be ordered online, by phone, by fax or by mail.

Follow the steps below to ensure prompt delivery.

1. (A) Identify the machine model.
2. (A) Identify the machine serial number from the data label.
3. (B) Ensure the proper serial number is used from the parts list.
4. Identify the part number and quantity.
Do not order by page or reference numbers.
5. Provide your name, company name, customer ID number, billing and shipping address, phone number and purchase order number.
6. Provide detail shipping instructions.

- (C) ∇ - identifies an assembly
▲ - identifies parts included in assembly

Please fill out at time of installation for future reference.

Model No. - _____

Serial No. - _____

Machine Options - _____

Sales Rep. - _____

Sales Rep. phone no. - _____

Customer ID Number - _____

Installation Date - _____

Tennant Company

PO Box 1452

Minneapolis, MN 55440

Phone: (800) 553- 8033 or (763) 513- 2850

www.tennantco.com

Specifications and parts are subject to change without notice.

Copyright © 2010, 2014 TENNANT Company, Printed in U.S.A.

CN	<p>如何订购部件 - 参见下表</p> <p>仅使用 TENNANT 公司提供的或同等部件。部件和供应可以在线订购，通过电话、传真或邮件订购。请遵循下面的步骤确保及时交付。</p> <ol style="list-style-type: none"> 1. (A) 确定机器型号。 2. (B) 从数据标签确定机器序列号。 3. (C) 确保使用部件列表中的正确序列号。 4. 确定部件号和数量。 不要按页面或参考编号订购。 5. 提供您的姓名、公司名称、客户 ID 号、付帐和送货地址、电话号码和采购单编号。 6. 提供详细的送货说明。 <hr/> <p>(D) ▽ - 确定组件 ▲ - 确定组件中包含的组件</p>	<p>请在安装时填写供未来参考。</p> <p>型号 - _____</p> <p>序列号 - _____</p> <p>机器选项 - _____</p> <p>销售代表 - _____</p> <p>销售代表电话号码 - _____</p> <p>客户 ID 编号 - _____</p> <p>安装日期 - _____</p>
-----------	--	--

ES	<p>CÓMO SOLICITAR PIEZAS - Consulte el diagrama anterior.</p> <p>Utilice sólo las piezas suministradas por TENNANT Company o piezas equivalentes. Puede solicitar las piezas a través de internet, por teléfono, por fax o por correo.</p> <p>Siga los siguientes pasos para que la entrega sea rápida.</p> <ol style="list-style-type: none"> 1. (A) Indique el modelo de máquina. 2. (B) Indique el número de serie de la etiqueta de datos. 3. (C) Asegúrese de que indica el número de serie correcto de la lista de piezas. 4. Indique la cantidad y el número de la pieza. No realice el pedido indicando el número de página o el de referencia. 5. Incluya su nombre, el nombre de la empresa, el ID de cliente, las direcciones de envío y facturación, el número de teléfono y el número del pedido de compra. 6. Facilite instrucciones de envío. <hr/> <p>(D) ▽ - identifica un conjunto ▲ - identifica piezas de un conjunto</p>	<p>Rellene estos datos cuando realice la instalación para utilizarlos como referencia en el futuro.</p> <p>Nº modelo - _____</p> <p>Nº serie - _____</p> <p>Opciones de la máquina - _____</p> <p>Vendedor - _____</p> <p>Nº teléfono vendedor - _____</p> <p>Nº cliente - _____</p> <p>Fecha de instalación - _____</p>
-----------	--	---

FR	<p>COMMENT COMMANDER DES PIÈCES DÉTACHÉES - Voir le schéma ci-dessus.</p> <p>Utilisez uniquement des pièces fournies par la société TENNANT ou équivalentes. Les pièces et fournitures peuvent être commandées en ligne, par téléphone, fax, ou par courrier.</p> <p>Suivez les étapes ci-dessous pour assurer une livraison rapide.</p> <ol style="list-style-type: none"> 1. (A) Identifiez le modèle de la machine. 2. (B) Identifiez le numéro de série de la machine, à partir de l'étiquette signalétique. 3. (C) Assurez-vous que le numéro de série correct est utilisé à partir de la liste de pièces détachées. 4. Identifiez le numéro de pièce et la quantité. Ne commandez pas par page ou numéros de référence. 5. Fournissez votre nom, le nom de votre société, votre numéro d'identification de client, l'adresse de facturation et d'expédition, le numéro de téléphone et le numéro du bon de commande. 6. Fournissez des instructions d'expédition détaillées. <hr/> <p>(D) ▽ - identifie un assemblage ▲ - identifie les pièces composant l'assemblage</p>	<p>A remplir au moment de l'installation à titre de référence.</p> <p>Nº du modèle - _____</p> <p>Nº de série - _____</p> <p>Options de la machine - _____</p> <p>Agent commercial - _____</p> <p>Nº tél. de l'agent commercial - _____</p> <p>Numéro d'identification client - _____</p> <p>Date d'installation - _____</p>
-----------	--	---

JP	<p>パーツの発注方法 ? 上記の図を参照してください</p> <p>TENNANT社製のパーツまたは同等品のみをお使いください。パーツやサプライ品のご注文は、オンライン、電話、FAX、または手紙でお願いいたします。確実にお届けできるように、以下の情報お知らせください。</p> <ol style="list-style-type: none"> 1. (A) 製品のモデル名をお知らせください。 2. (B) 製品のデータラベルに印刷されているシリアル番号をお知らせください。 3. (G) パーツリストを参照して、シリアル番号が正しいかご確認ください。 4. パーツ番号と数量をお知らせください。マニュアル/カタログのページ番号や参照番号でのご注文はご遠慮ください。 5. お客様のお名前、会社名、顧客ID番号、請求/発送先住所、電話番号、注文書番号をお知らせください。 6. 発送に関するご希望があれば、明記してください。 <hr/> <p>(D) ▽ - アセンブリを示します ▲ - アセンブリに含まれるパーツを示します</p>	<p>後日確認できるように、設置時に記入してください。</p> <p>モデルNo. - _____</p> <p>シリアルNo. - _____</p> <p>製品のオプション - _____</p> <p>販売代理店 - _____</p> <p>販売代理店の電話番号 - _____</p> <p>顧客ID番号 - _____</p> <p>設置日 - _____</p>
-----------	---	---

STANDARD PARTS

GENERAL RECOMMENDED MAINTENANCE
ITEMS 6

RECOVERY TANK GROUP 8

CHASSIS GROUP - 1 of 2 10

CHASSIS GROUP - 2 of 2 12

CONTROL CONSOLE GROUP (220V/230V) ... 14

CONTROL CONSOLE GROUP (240V EMC) ... 16

BRUSH HOUSING GROUP - 1 of 2 18

BRUSH HOUSING GROUP - 2 of 2 20

BRUSH BREAKDOWN 22

PUMP BREAKDOWN 24

WIRING DIAGRAM, 220V/230V/240V 25

LADDER DIAGRAM, 240V EMC 26

OPTIONS

HAND TOOL, 5 in (127 mm) 27

CREVICE TOOL, 3 in (76 mm) 28

UPHOLSTERY TOOL, LOW PRESSURE 29

FLOOR TOOL, LOW PRESSURE 13 in
(330 mm) 30

FLOOR TOOL, LOW PRESSURE 16 in
(406 mm) 32

HOSES, LOW PRESSURE SOLUTION AND
VACUUM 34

PUMP- UP CARPET SPRAYER 35

GENERAL RECOMMENDED MAINTENANCE

GENERAL RECOMMENDED MAINTENANCE ITEMS

Ref.	Part No.	Serial Number	Description	Qty.
	100103	(00000000-) Cover Assy, Clr [W/ Countersunk Holes]	1
	180613	(00000000-) Float, Shutoff, 1- Ball, 2.00d	1
	100042	(00000000-) Gasket, Dome, Recvy Tank	1
▽	1007072	(00000000-) Hose Assy, Drain, 1.50id X 21.9l, Blk	1
▲▽	1008639	(00000000-) Cap, Drain Assy	1
▲▲	1008637	(00000000-) Seal, Org, 1.48id 1.76od	1
▲▲	1019563	(00000000-) Strap, Cap, Drain	1
	130250	(00000000-) Cord, Power, 16/3, 50ft Yel [Sjt]	1
▽	130403	(00000000-) Fan, Vacuum, 5.7d, 240vac, 2 Stage	1
▲	190158	(00000000-) Brush, Carbon [130403, 1pick=1pkg] (1Pkg = 2Brushes)	1
	100038	(00000000-) Gasket, .50, 02.63id 05.75od, Adh [Epdm]	1
	180628	(00000000-) Filter, Screen, 100mesh, Ss, Pf04	1
	103068	(00000000-) Wheel, 10.0d 1.78w, 0.50b, Gray Hub/Tread	2
	240194	(00000000-) Knob, Tee 0.31- 18 Fem Thrd, Blk	1
	200956	(00000000-) Plate, Floor, 16.00, Ss [Shoe]	2
	200825	(00000000-) Plate, Floor, 20.00, Ss [Shoe]	2
	100006	(00000000-) Gasket, 16.0inch, Base Plt [Power Brush]	2
	1027687	(00000000-) Gasket, 20.0inch, Base Plt [Power Brush]	2
▽	700424	(00000000-) Bar Assy, Spray, 16inch [Twistout L20]	1
▲▽	201010	(00000000-) Fitting, Brs, Jet [.125 Q- Jet]	4
▲▲	201012	(00000000-) Fitting, Brs, Tip, F/201010 [8002]	4
▲▲	201015	(00000000-) Seal, Nozzle, Spray	4
▽	701171	(00000000-) Bar Assy, Spray, 20inch [Twistout L20]	1
▲▽	201011	(00000000-) Fitting, Brs, Jet [.125 Q- Jet]	5
▲▲	201013	(00000000-) Fitting, Brs, Tip, F/201011 [80015]	5
▲▲	201015	(00000000-) Seal, Nozzle, Spray	5

▽ ASSEMBLY

▲ INCLUDED IN ASSEMBLY

GENERAL RECOMMENDED MAINTENANCE

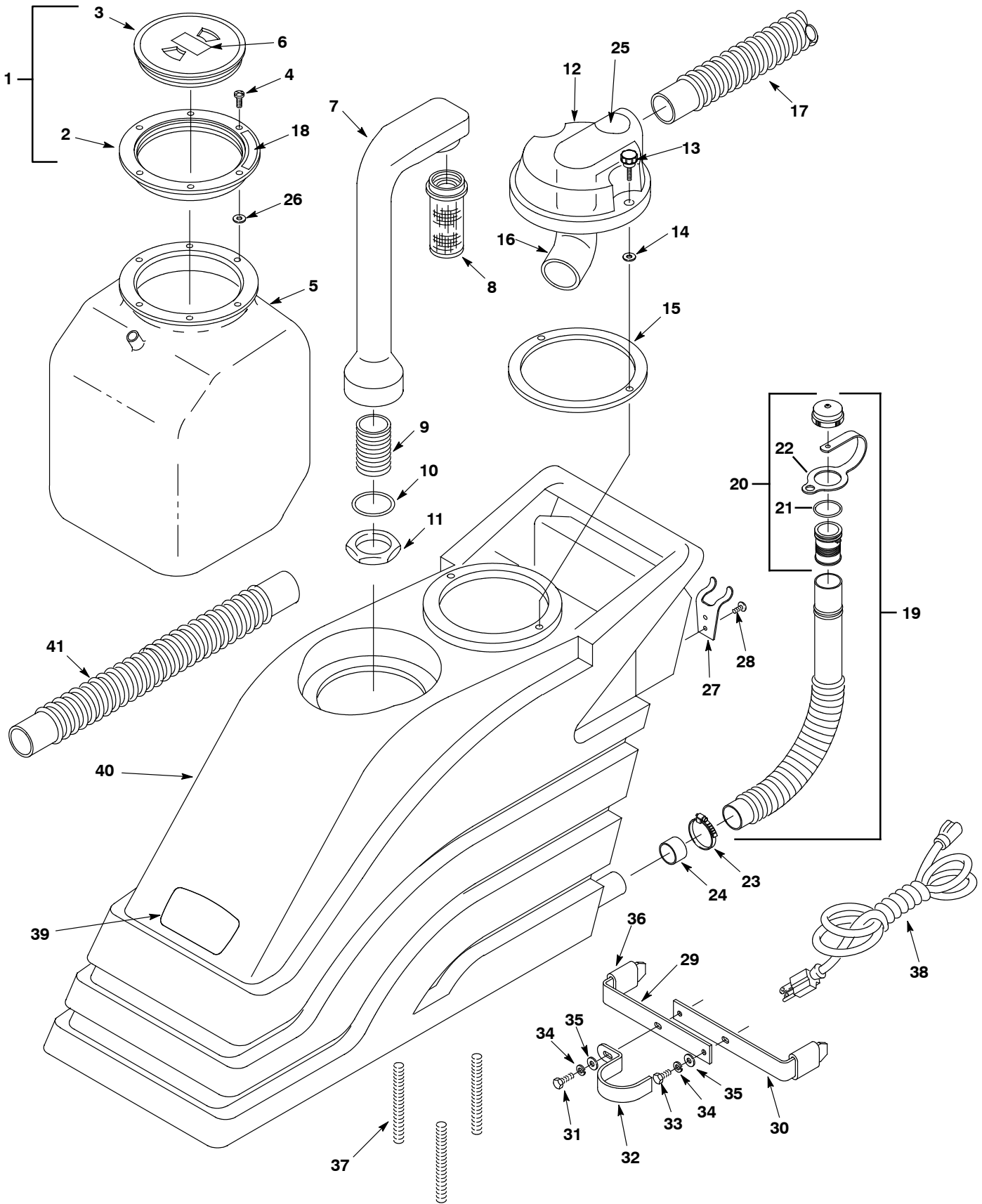
GENERAL RECOMMENDED MAINTENANCE ITEMS

Ref.	Part No.	Serial Number	Description	Qty.
	230507	(00000000-) Belt, Synchronous, 0.38 0.20p 18.0l	1
	230506	(00000000-) Pulley, Drive, 15tooth X .31b [1/5p]	1
▽	130472	(00000000-) Motor, Ele, 220vac, Brush Drive	1
▲	190154	(00000000-) Brush Card 240v 130472 Dumore	2
▽	1072552	(10652830-) Motor, Brush, 230vac [Emc]	1
▲	9011647	(10652830-) Vr, Brush Kit, Motor 1072552 (1Pkg = 2Brushes)	1
▽	575729	(00000000- 10652829) Motor, Brush, 230vac [843p- 5] (Replaced by 1072552)	1
▲	575782	(00000000- 10652829) Brush, Carbon, F/575729 [1 Pc]	2
▽	700212	(00000000-) Brush Assy, 16.0	1
▲	230505	(00000000-) Pulley, Drive, 26tooth X .31b [1/5p]	1
▲	100005	(00000000-) Gasket, Block, Brg	1
▲	140125	(00000000-) Bearing, Brush, 0.32b 0.87d 0.28w	2
▲	100049	(00000000-) Seal, Brush, Brg	2
▲	240004	(00000000-) Brush, Cylrcl, 16.0d	1
▽	700094	(00000000-) Brush Assy, 20.0	1
▲	230505	(00000000-) Pulley, Drive, 26tooth X .31b [1/5p]	1
▲	100005	(00000000-) Gasket, Block, Brg	1
▲	140125	(00000000-) Bearing, Brush, 0.32b 0.87d 0.28w	2
▲	100049	(00000000-) Seal, Brush, Brg	2
▲	240050	(00000000-) Brush, Cylrcl, 20.0d	1

▽ ASSEMBLY

▲ INCLUDED IN ASSEMBLY

RECOVERY TANK GROUP



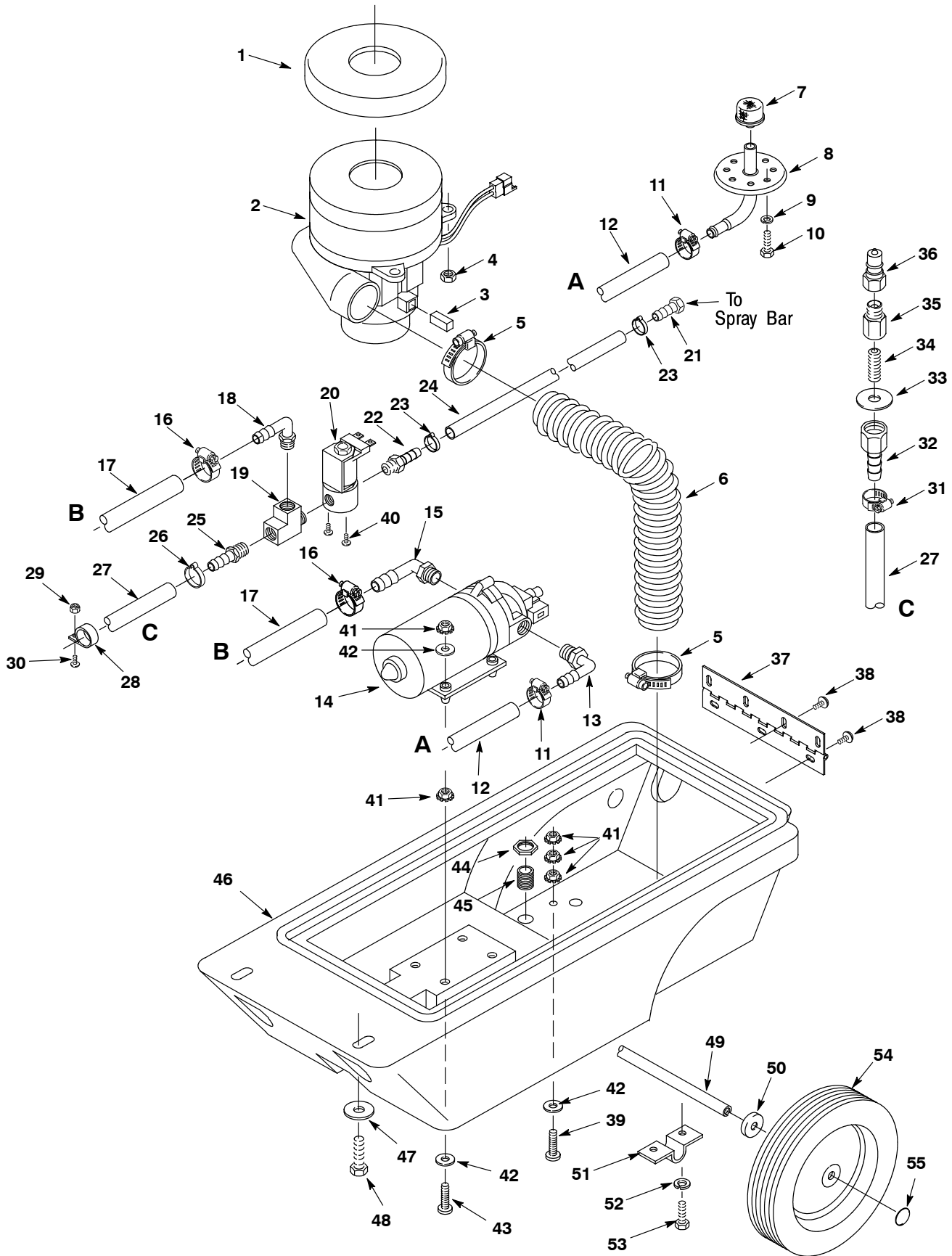
RECOVERY TANK GROUP

Ref.	Part No.	Serial Number	Description	Qty.
▽	1	100103	(00000000-) Cover Assy, Clr [W/ Countersunk Holes]	1
▲	2	600812	(00000000-) Ring, Outer, Lid	1
▲	3	100105	(00000000-) Vr, Cover, Lid, Clr Cntr	1
	4	140900	(00000000-) Screw, Trs, Phl, 10- 24 X 0.75, Ss	6
	5	1006364	(00000000-) Tank, Flexible, 10gal [Bladder]	1
	6	120906	(00000000-) Label, Warning [Important- Drain]	1
	7	602448	(00000000-) Pipe, Standpipe, W/ Nipple [L20]	1
	8	180613	(00000000-) Float, Shutoff, 1- Ball, 2.00d	1
	9	606088	(00000000-) Fitting, Plstc, Str,Pm24/Pm24[Nipl Cpvc]	1
	10	230159	(00000000-) Seal, Org, Standpipe	1
	11	210240	(00000000-) Nut, Hex, Flng, Pf24, Metal	1
▽		602497	(00000000-) Cover, Dome, W/ Elbow[8&10gal, L20, Tnv]	1
▲	12	100112	(00000000-) Cover, Dome, Vacuum, Clr	1
▲	13	240217	(00000000-) Knob, Rnd, 0.75d 1.25l .25- 20, Plstc, Ss	2
▲	14	140037	(00000000-) Washer, Flat, 0.22b 0.44d .03, Nyl	2
▲	15	100042	(00000000-) Gasket, Dome, Recvy Tank	1
▲	16	230834	(00000000-) Fitting, Pvc, E45, 1.50d / 1.50d	1
	17	160464	(00000000-) Hose, Vacuum, 1.50id X 053.0l, 2cuff,Blk	1
	18	120907	(00000000-) Label, Warning [Important- Always Close]	1
▽	19	1007072	(00000000-) Hose Assy, Drain, 1.50id X 21.9l, Blk	1
▲▽	20	1008639	(00000000-) Cap, Drain Assy	1
▲▲	21	1008637	(00000000-) Seal, Org, 1.48id 1.76od	1
▲▲	22	1019563	(00000000-) Strap, Cap, Drain	1
	23	11531	(00000000-) Clamp, Hose, Wormdrive, 1.06- 2.00d, .56w	1
	24	1009610	(00000000-) Sleeve, Rbr, 1.25b 1.50d 1.0l	1
	25	120399	(00000000-) Label, Warning[Do Not Allow Foam, Txtls]	1
	26	140000	(00000000-) Washer, Flat, 0.28b 0.62d .04, Ss	6
	27	611978	(00000000-) Bracket, Hanger, Drain Hose	1
	28	140826	(00000000-) Screw, Pan, Phl, 06- 20 X 0.75, Fmg/Ab,Ss	2
	29	230844	(00000000-) Bracket, Brace, Tank, W/ Hole	1
	30	230843	(00000000-) Bracket, Brace, Tank, W/ Thrd	1
	31	01697	(00000000-) Screw, Hex, .25- 20 X 0.62, Ss	1
	32	230955	(00000000-) Clamp, Brace, Tank	1
	33	01696	(00000000-) Screw, Hex, .25- 20 X 0.50, Ss	1
	34	140016	(00000000-) Washer, Lock, Split, 0.25, Ss	2
	35	140000	(00000000-) Washer, Flat, 0.28b 0.62d .04, Ss	2
	36	102569	(00000000-) Grip, Handle, Foam, Blk .75id X 4.25l	1
	37	140227	(00000000-) Screw, Stud, .25- 20 X 5.00	3
	38	130250	(00000000-) Cord, Power, 16/3, 50ft Yel [Sjt]	1
	39	1060462	(00000000-) Label, Logo, 05.0l Wht/TI [Tennant]	1
	40	1033135	(00000000-) Tank, Recvy, Rm- Cphg, Afmkt [10Gal, Ex- 10]	1
	41	160424	(00000000-) Hose, Vacuum, 1.50id X 036.0l, 2cuff	1

▽ ASSEMBLY

▲ INCLUDED IN ASSEMBLY

CHASSIS GROUP - 1 of 2



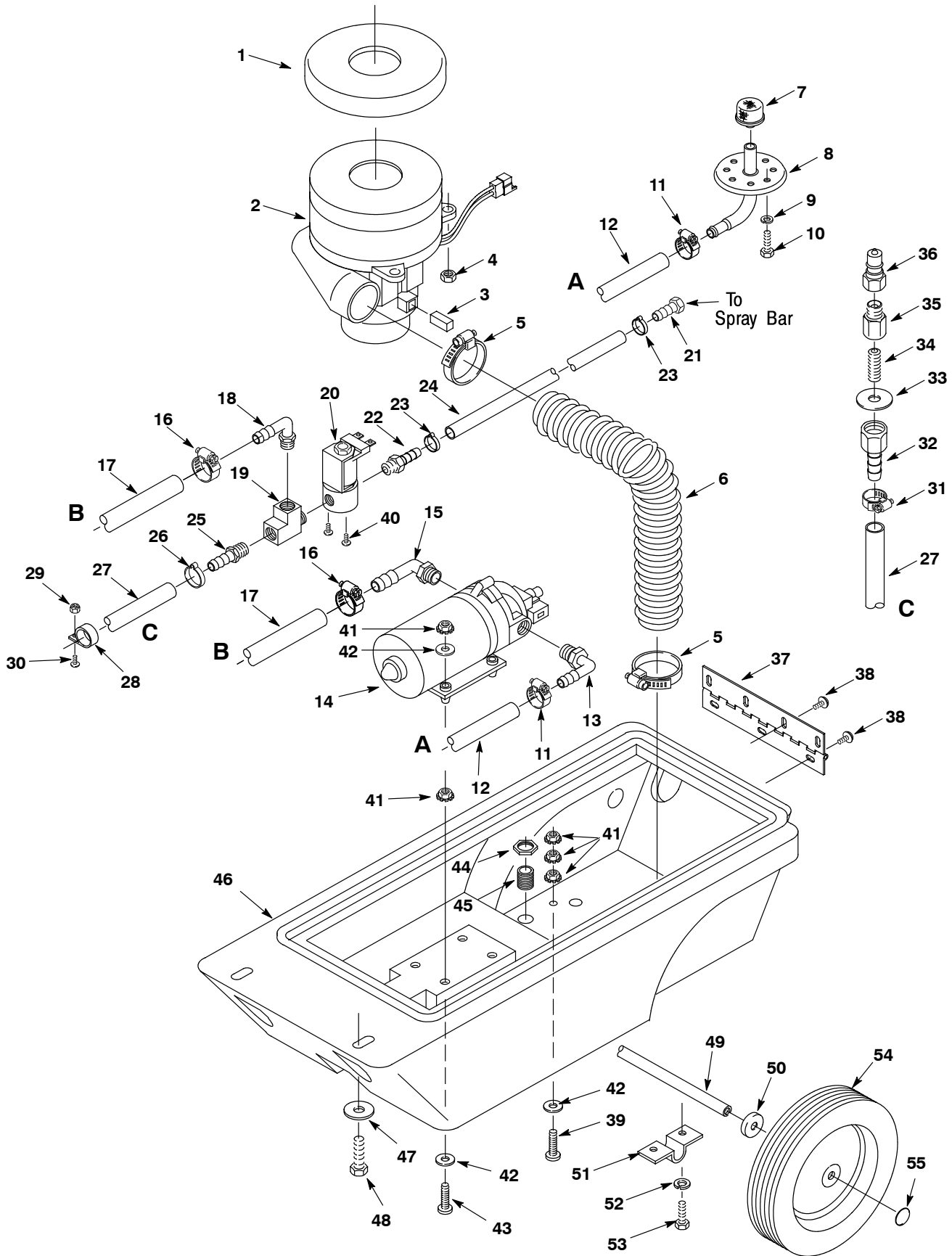
CHASSIS GROUP - 1 of 2

Ref.	Part No.	Serial Number	Description	Qty.
	1	100038	(00000000-) Gasket, .50, 02.63id 05.75od, Adh [Epdm]	1
▽	2	130403	(00000000-) Fan, Vacuum, 5.7d, 240vac, 2 Stage	1
▲	3	190158	(00000000-) Brush, Carbon [130403, 1pick=1pkg] (1Pkg = 2Brushes)	1
▲		130487	(00000000-) Housing, Motor, Fan, Vent	1
	4	41169	(00000000-) Nut, Hex, Lock, .25- 20, NI, Ss	4
	5	140308	(00000000-) Clamp, Hose, Wormdrive, 1.31- 2.25d, Ss	2
	6	1022164	(00000000-) Hose, Vacuum, 2.00id X 026.0l, Blk	1
	7	180628	(00000000-) Filter, Screen, 100mesh, Ss, Pf04	1
	8	600451	(00000000-) Fitting Assy, Plate [Bladder 8&10 Gal]	1
	9	140016	(00000000-) Washer, Lock, Split, 0.25, Ss	4
	10	01697	(00000000-) Screw, Hex, .25- 20 X 0.62, Ss	4
	11	54333	(00000000-) Clamp, Hose, Wormdrive, 0.31- 0.88d, .31w	2
	12	606245	(00000000-) Hose, Pvc, Brd, 0.38id 0.62od 31.0l, Gray	1
	13	150412	(00000000-) Fitting, Plstc, E90, Bm06/Pm06	1
	14	180109	(00000000-) Pump, Soltn, Ele, 230vac, 100psi	1
	15	150425	(00000000-) Fitting, Plstc, E90, Bm08/Pm06, Nyl	1
	16	63810	(00000000-) Clamp, Hose, Wormdrive, 0.56- 1.06d, .56w	2
	17	607705	(00000000-) Hose, Rbr, Dbl, 0.50id 0.75od 24.0l, Red	1
▽		700441	(00000000-) Asm Valve Solenoid 220v 50hz (230V/50HZ)	1
▲	18	150415	(00000000-) Fitting, Plstc, E90, Bm06/Pm04	1
▲	19	150709	(00000000-) Fitting, Brs, Tee, Pm04/Pf04/Pf04, Run	1
▲	20	210036	(00000000-) Solenoid, 220vac [50h 1/8o] (230V/50HZ)	1
▲	21	150526	(00000000-) Fitting, Brs, Str, Bm04/Jf04	1
▲	22	150515	(00000000-) Fitting, Brs, Str, Bm04/Pm04 [Taped]	1
▲	23	140325	(00000000-) Clamp, Hose, Ear, 0.50d, Ss	2
▲	24	606244	(00000000-) Hose, Pvc, Brd, 0.25id 0.50od 16.0l, Gray	1
▲	25	150517	(00000000-) Fitting, Brs, Str, Bm08/Pm04 [Taped]	1
▲	26	140301	(00000000-) Clamp, Hose, Ear, 0.62d	1
▲	27	606246	(00000000-) Hose, Pvc, Brd, 0.38id 0.62od 52.0l, Gray	1
▽		604234	(00000000-) Asm Solenoid J801- 5 220v 60hz (220V/230V/60HZ)	1
▲	18	150415	(00000000-) Fitting, Plstc, E90, Bm06/Pm04	1
▲	19	150709	(00000000-) Fitting, Brs, Tee, Pm04/Pf04/Pf04, Run	1
▲	20	604073	(00000000-) Valve, Solenoid, 220vac 60hz (220V/230V/60HZ)	1
▲	21	150526	(00000000-) Fitting, Brs, Str, Bm04/Jf04	1
▲	22	150515	(00000000-) Fitting, Brs, Str, Bm04/Pm04 [Taped]	1
▲	23	140325	(00000000-) Clamp, Hose, Ear, 0.50d, Ss	2
▲	24	606244	(00000000-) Hose, Pvc, Brd, 0.25id 0.50od 16.0l, Gray	1
▲	25	150517	(00000000-) Fitting, Brs, Str, Bm08/Pm04 [Taped]	1
▲	26	140301	(00000000-) Clamp, Hose, Ear, 0.62d	1
▲	27	606246	(00000000-) Hose, Pvc, Brd, 0.38id 0.62od 52.0l, Gray	1

▽ ASSEMBLY

▲ INCLUDED IN ASSEMBLY

CHASSIS GROUP - 2 of 2



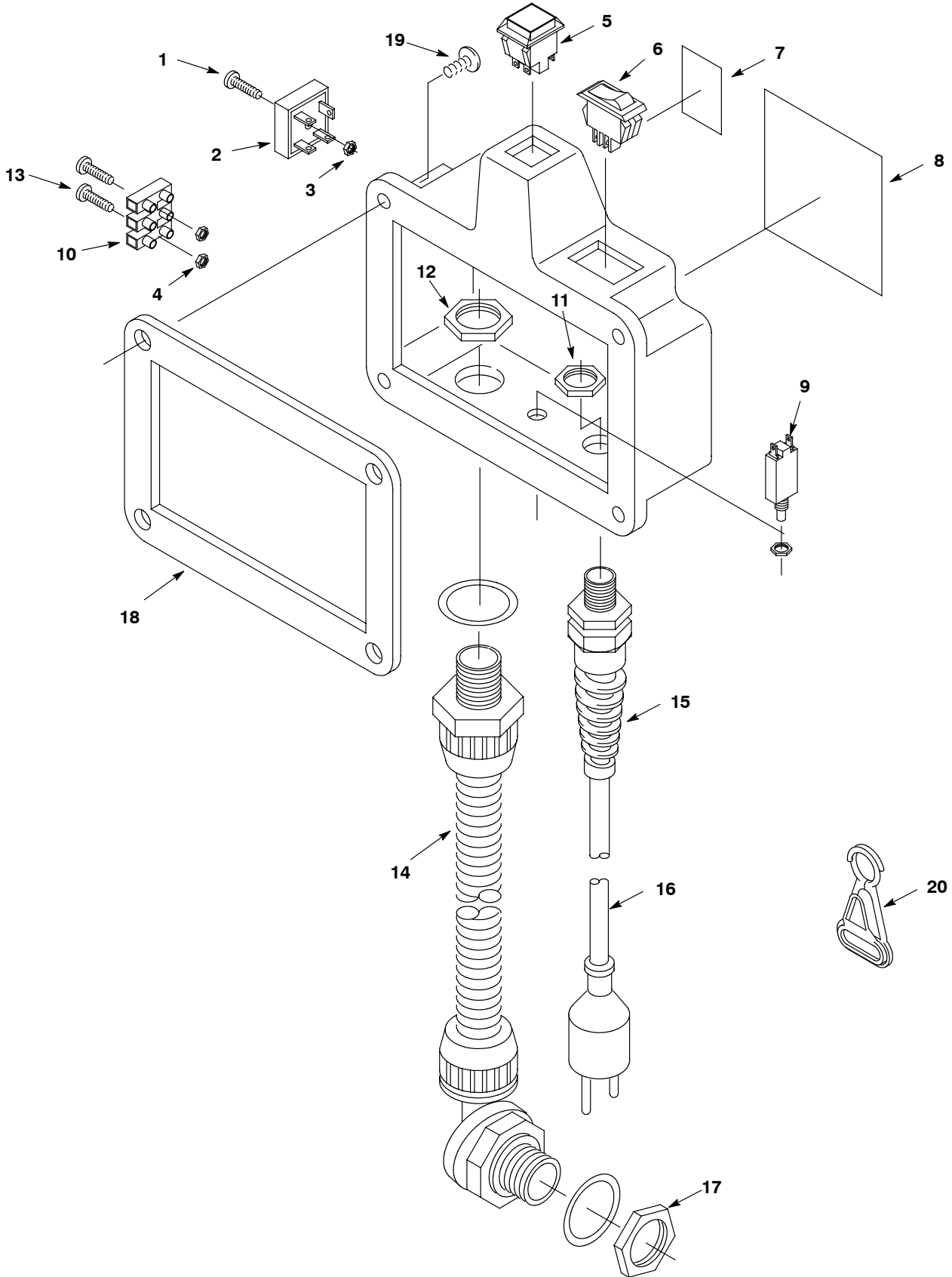
CHASSIS GROUP - 2 of 2

Ref.	Part No.	Serial Number	Description	Qty.
▽	700494	(00000000-) Asm Solenoid Aus800 240v (240V EMC)	1
▲	18 150415	(00000000-) Fitting, Plstc, E90, Bm06/Pm04	1
▲	19 150709	(00000000-) Fitting, Brs, Tee, Pm04/Pf04/Pf04, Run	1
▲	20 210260	(00000000-) Valve, Solenoid, 240vac 50hz [Aus] (240V EMC)	1
▲	21 150526	(00000000-) Fitting, Brs, Str, Bm04/Jf04	1
▲	22 150515	(00000000-) Fitting, Brs, Str, Bm04/Pm04 [Taped]	1
▲	23 140325	(00000000-) Clamp, Hose, Ear, 0.50d, Ss	2
▲	24 606244	(00000000-) Hose, Pvc, Brd, 0.25id 0.50od 16.0l, Gray	1
▲	25 150517	(00000000-) Fitting, Brs, Str, Bm08/Pm04 [Taped]	1
▲	26 140301	(00000000-) Clamp, Hose, Ear, 0.62d	1
▲	27 606246	(00000000-) Hose, Pvc, Brd, 0.38id 0.62od 52.0l, Gray	1
	28 140916	(00000000-) Clamp, Cable, Nyl, 0.62d, Nat	1
	29 140552	(00000000-) Nut, Hex, Lock, #10- 24, NI, Ss	3
	30 140823	(00000000-) Screw, Trs, Phl, 10- 24 X 0.62, Ss	1
	31 54333	(00000000-) Clamp, Hose, Wormdrive, 0.31- 0.88d, .31w	1
	32 150511	(00000000-) Fitting, Brs, Str, Bm06/Pf04	1
	33 140008	(00000000-) Washer, Flat, 0.57b 1.28d .08, Ss	1
	34 150600	(00000000-) Fitting, Brs, Nipple, Pm04 X 2.0 [Taped]	1
	35 150000	(00000000-) Fitting, Brs, Str, Pf04/Pm04 [Taped]	1
	36 150933	(00000000-) Fitting, Brs, Qdc, Pm04 [Ser60]	1
	37 230390	(00000000-) Hinge, .19pin .06 2.0w 08.8l, Yel PI	1
	38 140885	(00000000-) Screw, Trs, .25- 20 X 0.50, Phl, Ss	7
	39 140804	(00000000-) Screw, Rnd, Phl, 10- 24 X 1.00, Ss	1
	40 140801	(00000000-) Screw, Trs, Phl, 08- 32 X 0.38, Ss	2
	41 140519	(00000000-) Nut, Hex, Lock, #10- 24, Kep, Ss	11
	42 140011	(00000000-) Washer, Flat, 0.21b 0.45d .03, Ss	7
	43 1014262	(00000000-) Screw, Pan, Phl, 10- 24 X 1.50, Ss	4
	44 140504	(00000000-) Nut, Lock, Conduit, Pm08	1
	45 130181	(00000000-) Grip, Cord, Strainrelief, .50npt	1
	46 9007680	(00000000-) Chassis, Rm- Blk, Afmkt [Ex- Sc- 1020]	1
	47 140028	(00000000-) Washer, Flat, 0.42b 1.00d .05, Ss	2
	48 69225	(00000000-) Screw, Hex, .38- 16 X 1.00, Ss	2
	49 230739	(00000000-) Axle, Wheel .5d X 13.13	1
	50 140008	(00000000-) Washer, Flat, 0.57b 1.28d .08, Ss	2
	51 230746	(00000000-) Bracket, Axle, .5d, Offset	2
	52 140016	(00000000-) Washer, Lock, Split, 0.25, Ss	4
	53 01697	(00000000-) Screw, Hex, .25- 20 X 0.62, Ss	4
	54 103068	(00000000-) Wheel, 10.0d 1.78w, 0.50b, Gray Hub/Tread	2
	55 103019	(00000000-) Nut, Retainer, 0.50d 0.29l, Ss	2

▽ ASSEMBLY

▲ INCLUDED IN ASSEMBLY

CONTROL CONSOLE GROUP (220V/230V)



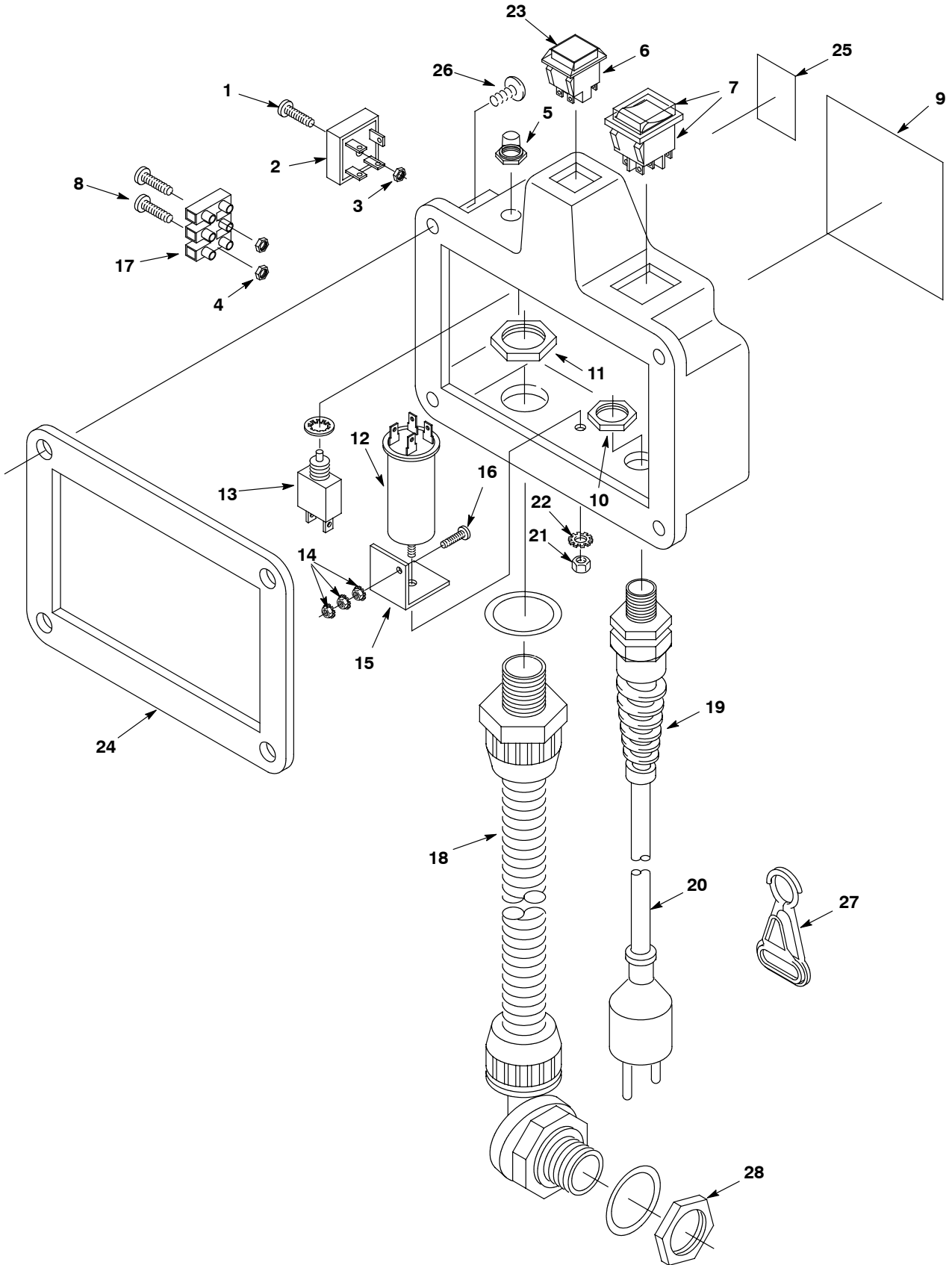
CONTROL CONSOLE GROUP (220V/230V)

Ref.	Part No.	Serial Number	Description	Qty.
▽	609927	(00000000-) Box Assy, Switch, 230vac, Blk	1
▲	1 140335	(00000000-) Screw, Rnd, Slted, 10- 24 X 1.00, Nyl	1
▲	2 130304	(00000000-) Rectifier, Bridge, 600v, 15a	1
▲	3 140336	(00000000-) Nut, Hex, #10- 24, Nyl	1
▲	4 140534	(00000000-) Nut, Hex, #06- 32, Nyl	2
▲	5 130716	(00000000-) Switch, Push, Dpdt W/ Lens	1
▲	6 1044804	(00000000-) Switch, Rocker, Dpst, On- Off, W/ Cover	1
▲	7 603829	(00000000-) Label, Instr, Clean On- Off [Kema]	1
▲	8 1026384	(00000000-) Label, Warning [Expl,Fire,Shk En/Fr/Es]	1
▲	9 130747	(00000000-) Circuitbreaker, 01.2a [Eta]	1
▲	10 130005	(00000000-) Terminal, 25a, 3 Position Strip	1
▲	11 140549	(00000000-) Nut, Hex, Pf06 [Conduit]	1
▲	12 140504	(00000000-) Nut, Lock, Conduit, Pm08	1
▲	13 140879	(00000000-) Screw, Rnd, Slted, 06- 32 X 0.75, Nyl	2
▲	14 130977	(00000000-) Harness	1
▲	15 130137	(00000000-) Grip, Cord, .38 Npt Nyl [Liq Tight]	1
▲	16 600398	(00000000-) Cord, Power, 1.0mm2/3 Blk [12meter Euro]	1
	17 140638	(00000000-) Nut, Hex, Pf08, Blk Nyl [Conduit]	1
	18 603041	(00000000-) Gasket, Box, Switch, Neo	1
	19 140885	(00000000-) Screw, Trs, .25- 20 X 0.50, Phl, Ss	4
	20 130176	(00000000-) Clip, Cord, Strainrelief [Belt]	1

▽ ASSEMBLY

▲ INCLUDED IN ASSEMBLY

CONTROL CONSOLE GROUP (240V EMC)



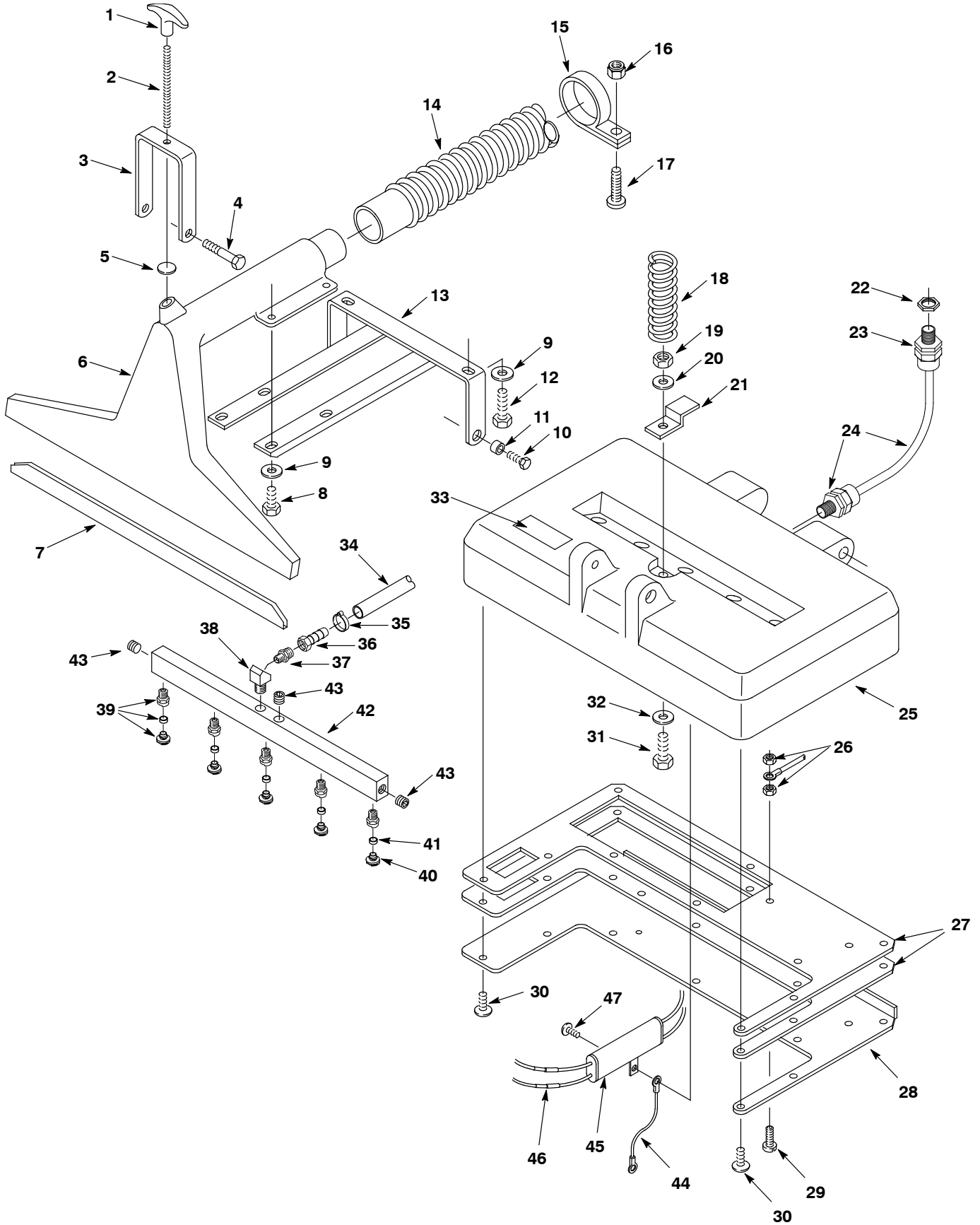
CONTROL CONSOLE GROUP (240V EMC)

Ref.	Part No.	Serial Number	Description	Qty.
▽	609933	(00000000-) Box Assy, Switch, 230vac, Blk [Kema]	1
▲	1 140335	(00000000-) Screw, Rnd, Slt, 10- 24 X 1.00, Nyl	1
▲	2 130304	(00000000-) Rectifier, Bridge, 600v, 15a	1
▲	3 140336	(00000000-) Nut, Hex, #10- 24, Nyl	1
▲	4 140534	(00000000-) Nut, Hex, #06- 32, Nyl	2
▲	5 578734	(00000000-) Seal, Splash, Circuitbreaker	1
▲	6 1073692	(00000000-) Switch, Push, Dpst, Mom (Does Not Include Boot - Also Need to Order #130765)	1
▲	6 603410	(00000000-) Switch, Dpst, Mom, Green (Replaced by 1073692)	1
▲	7 1044804	(00000000-) Switch, Rocker, Dpst, On- Off, W/ Cover	1
▲	8 140879	(00000000-) Screw, Rnd, Slt, 06- 32 X 0.75, Nyl	2
▲	9 1026384	(00000000-) Label, Warning [Expl,Fire,Shk En/Fr/Es]	1
▲	10 140549	(00000000-) Nut, Hex, Pf06 [Conduit]	1
▲	11 140504	(00000000-) Nut, Lock, Conduit, Pm08	1
▲	12 600383	(00000000-) Filter [Rfi]	1
▲	13 130747	(00000000-) Circuitbreaker, 01.2a [Eta]	1
▲	14 140519	(00000000-) Nut, Hex, Lock, #10- 24, Kep, Ss	3
▲	15 603957	(00000000-) Bracket, Fltr [Rfi]	1
▲	16 140823	(00000000-) Screw, Trs, Phl, 10- 24 X 0.62, Ss	1
▲	17 130005	(00000000-) Terminal, 25a, 3 Position Strip	1
▲	18 130977	(00000000-) Harness	1
▲	19 130166	(00000000-) Grip, Cord, Strainrelief Pg- 11 W/Nut Bk	1
▲	20 1038777	(00000000-) Cord, Power, 1.0mm /3 Blk [15meter, Aus]	1
▲	21 200101017	(00000000-) Nut, Hex, Jam, M8 X 1.25	1
▲	22 140062	(00000000-) Washer, 0.31, Ext, PI	1
▲	23 130765	(00000000-) Boot, Guard, Splash [Push- Button]	1
	24 603041	(00000000-) Gasket, Box, Switch, Neo	1
	25 603829	(00000000-) Label, Instr, Clean On- Off [Kema]	1
	26 140885	(00000000-) Screw, Trs, .25- 20 X 0.50, Phl, Ss	4
	27 130176	(00000000-) Clip, Cord, Strainrelief [Belt]	1
	28 140638	(00000000-) Nut, Hex, Pf08, Blk Nyl [Conduit]	1

▽ ASSEMBLY

▲ INCLUDED IN ASSEMBLY

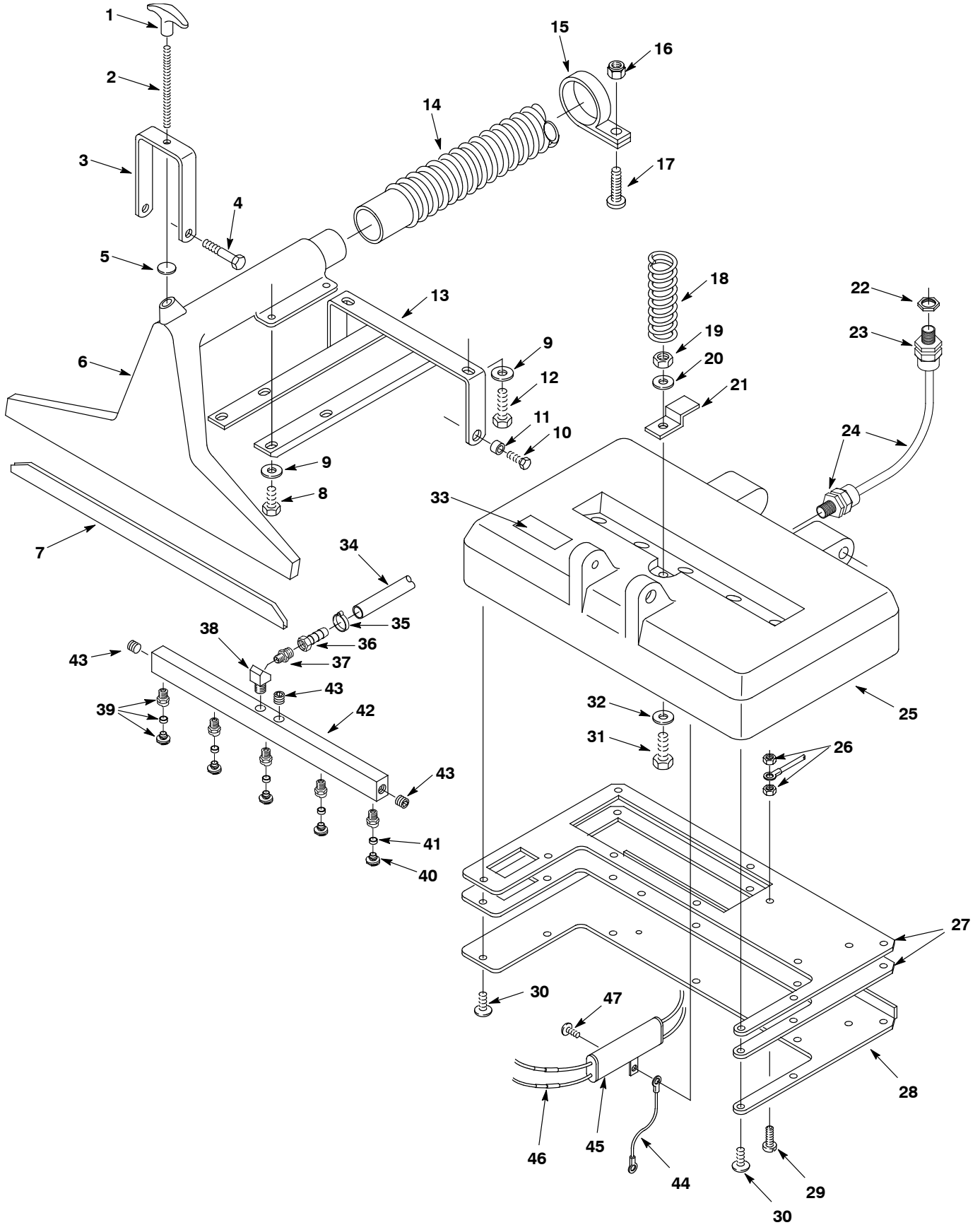
BRUSH HOUSING GROUP - 1 of 2



BRUSH HOUSING GROUP - 1 of 2

Ref.	Part No.	Serial Number	Description	Qty.
1	240194	(00000000-) Knob, Tee 0.31- 18 Fem Thrd, Blk	1
2	230258	(00000000-) Screw, Stud, .38- 16 X 2.00, Pl	1
3	230461.BK	(00000000-) Bracket, Adj, Height, Blk	1
4	140564	(00000000-) Bolt, Shld, .38d X 0.75, .31- 18	2
5	140919	(00000000-) Spacer, Plstc, 0.38 0.12th, Nyl	1
6	230706.BK	(00000000-) Tool, Pickup, 16w, Blk	1
6	230840.BK	(00000000-) Tool, Pickup, 20w, Blk	1
7	200956	(00000000-) Plate, Floor, 16.00, Ss [Shoe]	2
7	200825	(00000000-) Plate, Floor, 20.00, Ss [Shoe]	2
8	140219	(00000000-) Screw, Hex, .31- 18 X 1.00, Ss	4
9	140015	(00000000-) Washer, Lock, Split, 0.31, Ss	6
10	140898	(00000000-) Screw, Trs, .38- 16 X 0.75, Phl, Ss	2
11	140914	(00000000-) Spacer, Plstc, 0.38b 0.50d 0.25l, Nyl	2
12	140226	(00000000-) Screw, Hex, .31- 18 X 0.62, Ss	2
13	230459	(00000000-) Bracket, Mtg, Brush Base	1
14	160464	(00000000-) Hose, Vacuum, 1.50id X 0.53.0l, 2cuff,Blk	1
15	605321	(00000000-) Tie, Cable, Nyl, 08.0l .19w 1.8 [Max D]	1
16	140552	(00000000-) Nut, Hex, Lock, #10- 24, NI, Ss	1
17	140804	(00000000-) Screw, Rnd, Phl, 10- 24 X 1.00, Ss	1
18	140441	(00000000-) Spring, Cmpr, 1.00od .11wir 04.0l	1
19	59156	(00000000-) Nut, Hex, Lock, .38- 16, NI, Ss	1
20	140028	(00000000-) Washer, Flat, 0.42b 1.00d .05, Ss	2
21	230264.BK	(00000000-) Clamp, Manifold, Bar, Spray [Bk]	1
22	140504	(00000000-) Nut, Lock, Conduit, Pm08	1
23	130181	(00000000-) Grip, Cord, Strainrelief, .50npt	2
24	130662	(00000000-) Cord, 18ga /3, 024.0l Blk [Sjto]	1
25	100818	(00000000-) Base, 16.0, Rm- Blk, Trimmed	1
25	604494	(00000000-) Base, 20.0, Rm- Blk, Trimmed	1
26	140519	(00000000-) Nut, Hex, Lock, #10- 24, Kep, Ss	3
27	100006	(00000000-) Gasket, 16.0inch, Base Plt [Power Brush]	2
27	1027687	(00000000-) Gasket, 20.0inch, Base Plt [Power Brush]	2
28	611917	(00000000-) Plate, Base, 16.0inch [Yel Chromate]	1
28	611918	(00000000-) Plate, Base, 20.0inch [Yel Chromate]	1
29	140890	(00000000-) Screw, Trs, Phl, 10- 24 X 0.50, Ss	1
30	140887	(00000000-) Screw, Pan, 10- 24 X 0.38, Ss	12
31	140233	(00000000-) Screw, Hex, .38- 16 X 1.75, Ss	1
32	140028	(00000000-) Washer, Flat, 0.42b 1.00d .05, Ss	1
33	120617	(00000000-) Label, Instr [Height Adj, Pe]	1
34	606244	(00000000-) Hose, Pvc, Brd, 0.25id 0.50od 16.0l,Gray	1
35	140325	(00000000-) Clamp, Hose, Ear, 0.50d, Ss	1
36	150526	(00000000-) Fitting, Brs, Str, Bm04/Jf04	1

BRUSH HOUSING GROUP - 2 of 2



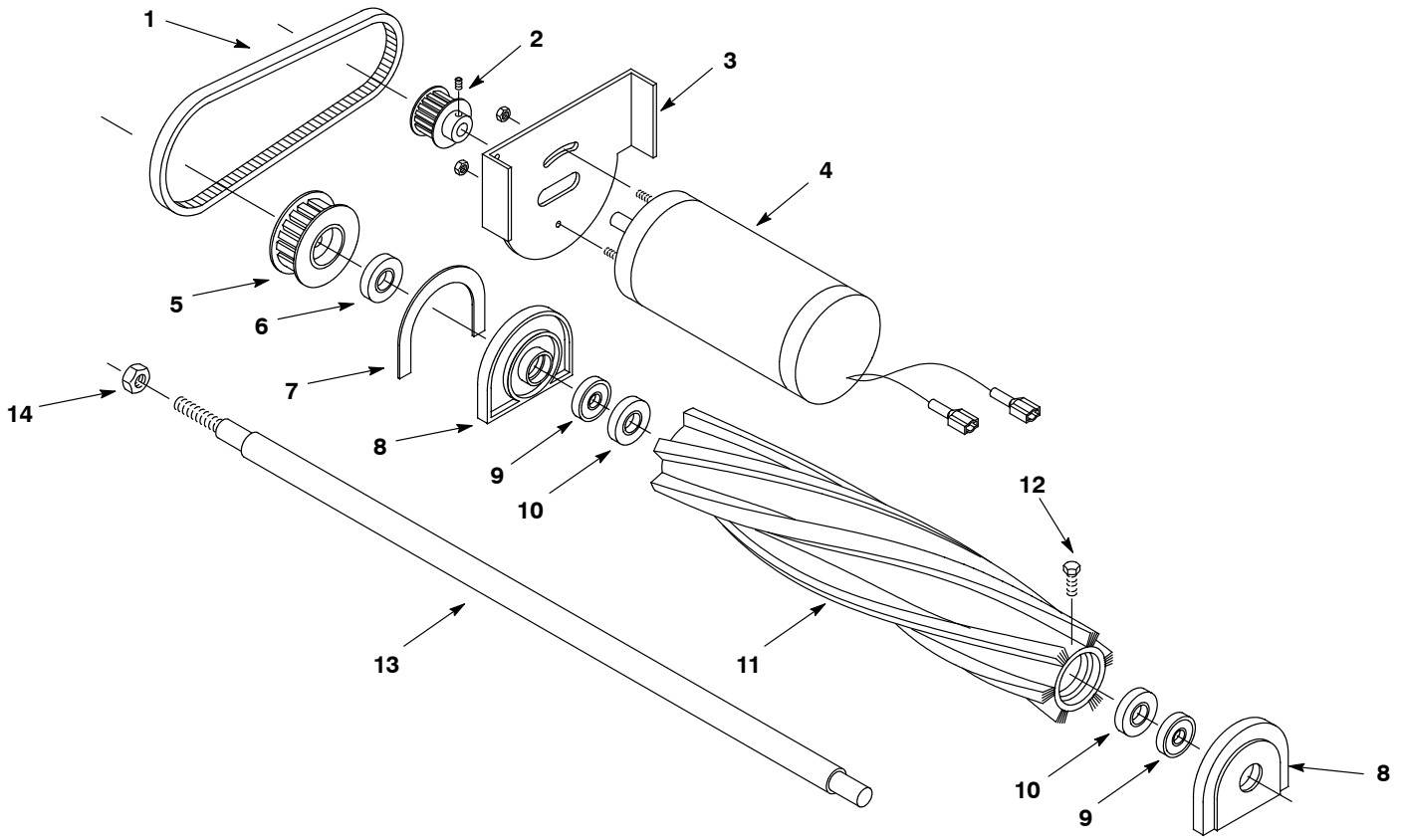
BRUSH HOUSING GROUP - 2of 2

	Ref.	Part No.	Serial Number	Description	Qty.
▽		700424	(00000000-) Bar Assy, Spray, 16inch [Twistout L20]	1
▲	37	150616	(00000000-) Fitting, Brs, Str, Jm04/Pf04	1
▲	38	150422	(00000000-) Fitting, Brs, E45, Pf02/Pm02, Str	1
▲▽	39	201010	(00000000-) Fitting, Brs, Jet [.125 Q- Jet]	4
▲▲	40	201012	(00000000-) Fitting, Brs, Tip, F/201010 [8002]	4
▲▲	41	201015	(00000000-) Seal, Nozzle, Spray	4
▲	42	230267	(00000000-) Manifold, Bar, Spray, 16.0inch	1
▲	43	150208	(00000000-) Fitting, Brs, Str, Pm02, Plug [Skhd]	3
▽		701171	(00000000-) Bar Assy, Spray, 20inch [Twistout L20]	1
▲	37	150616	(00000000-) Fitting, Brs, Str, Jm04/Pf04	1
▲	38	150422	(00000000-) Fitting, Brs, E45, Pf02/Pm02, Str	1
▲▽	39	201011	(00000000-) Fitting, Brs, Jet [.125 Q- Jet]	5
▲▲	40	201013	(00000000-) Fitting, Brs, Tip, F/201011 [80015]	5
▲▲	41	201015	(00000000-) Seal, Nozzle, Spray	5
▲	42	230379	(00000000-) Manifold, Bar, Spray, 20.0inch	1
▲	43	150208	(00000000-) Fitting, Brs, Str, Pm02, Plug [Skhd]	3
	44	600692	(00000000-) Cable, 1.6mmd 0152l, Strain Relief, Tnv (240V EMC)	1
▽		604628	(00000000-) Filter Assy, 240volt [Rfi, Kema, Pe+] (240V EMC)	1
▲	45	600694	(00000000-) Filter, Brush, Tnv [Rfi] (240V EMC)	1
▲	46	600693	(00000000-) Filter, Choke, 2.5a, Tnv [20uh] (240V EMC)	2
	47	140350	(00000000-) Screw, Pan, Phl, 10- 16 X 0.50, Ss[Typ25] (240V EMC)	1

▽ ASSEMBLY

▲ INCLUDED IN ASSEMBLY

BRUSH BREAKDOWN



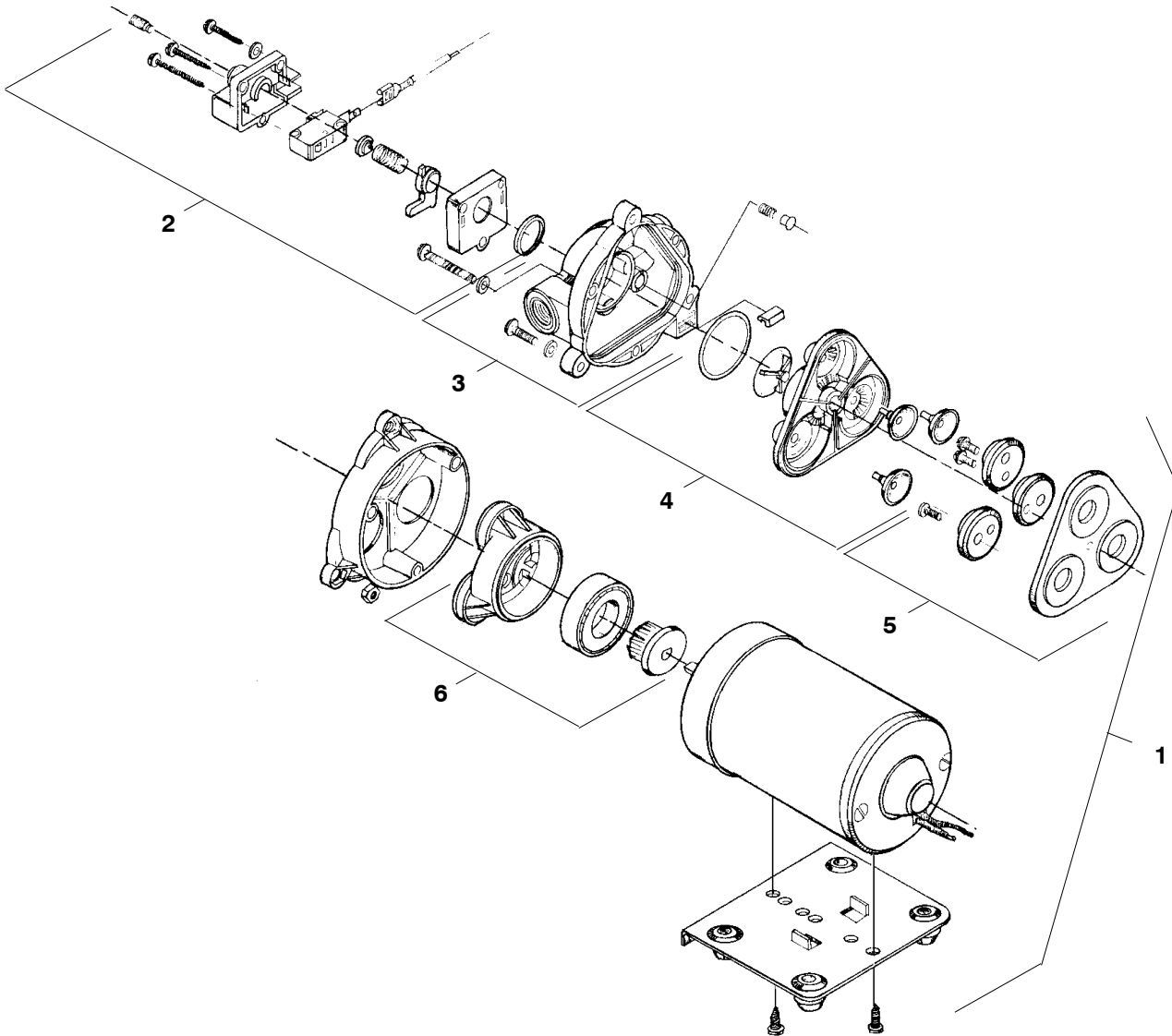
BRUSH BREAKDOWN

Ref.	Part No.	Serial Number	Description	Qty.	
1	230507	(00000000-) Belt, Synchronous, 0.38 0.20p 18.0l	1	
2	230506	(00000000-) Pulley, Drive, 15tooth X .31b [1/5p]	1	
3	230366	(00000000-) Plate, Mount, Motor	1	
▽	4	130472	(00000000-) Motor, Ele, 220vac, Brush Drive	1
▲		190154	(00000000-) Brush Card 240v 130472 Dumore	2
▽	4	1072552	(10652830-) Motor, Brush, 230vac [Emc]	1
▲		9011647	(10652830-) Vr, Brush Kit, Motor 1072552 (1Pkg = 2Brushes)	1
▽	4	575729	(00000000- 10652829) Motor, Brush, 230vac [843p- 5] (Replaced by 1072552)	1
▲		575782	(00000000- 10652829) Brush, Carbon, F/575729 [1 Pc]	2
▽		700212	(00000000-) Brush Assy, 16.0	1
▲	5	230505	(00000000-) Pulley, Drive, 26tooth X .31b [1/5p]	1
▲	6	230363	(00000000-) Spacer, 0.33b 0.62d 0.16l, PI	1
▲	7	100005	(00000000-) Gasket, Block, Brg	1
▲	8	230261	(00000000-) Block, Brush Brg	2
▲	9	140125	(00000000-) Bearing, Brush, 0.32b 0.87d 0.28w	2
▲	10	100049	(00000000-) Seal, Brush, Brg	2
▲	11	240004	(00000000-) Brush, Cylrcl, 16.0d	1
▲	12	24672	(00000000-) Screw, Hex, .25- 20 X 0.75, Ss	4
▲	13	230257	(00000000-) Shaft, Brush, 16.0inch	1
▲	14	140548	(00000000-) Nut, Hex, Jam, Fin .31, Ss	1
▽		700094	(00000000-) Brush Assy, 20.0	1
▲	5	230505	(00000000-) Pulley, Drive, 26tooth X .31b [1/5p]	1
▲	6	230363	(00000000-) Spacer, 0.33b 0.62d 0.16l, PI	1
▲	7	100005	(00000000-) Gasket, Block, Brg	1
▲	8	230261	(00000000-) Block, Brush Brg	2
▲	9	140125	(00000000-) Bearing, Brush, 0.32b 0.87d 0.28w	2
▲	10	100049	(00000000-) Seal, Brush, Brg	2
▲	11	240050	(00000000-) Brush, Cylrcl, 20.0d	1
▲	12	24672	(00000000-) Screw, Hex, .25- 20 X 0.75, Ss	4
▲	13	230362	(00000000-) Shaft, Brush, 20.0inch	1
▲	14	140548	(00000000-) Nut, Hex, Jam, Fin .31, Ss	1

▽ ASSEMBLY

▲ INCLUDED IN ASSEMBLY

PUMP BREAKDOWN

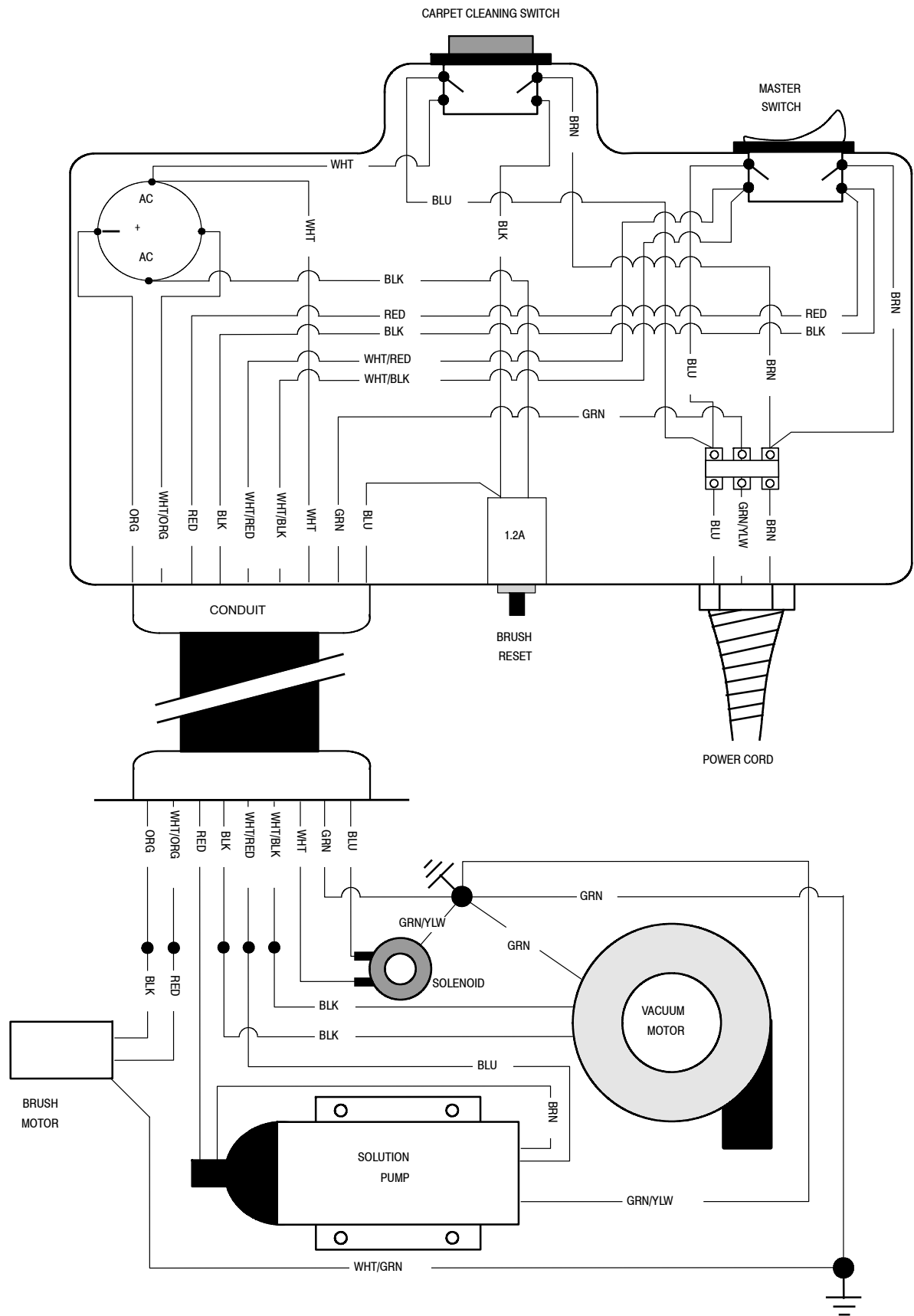


	Ref.	Part No.	Serial Number	Description	Qty.
▽	1	180109	(00000000-) Pump, Soltn, Ele, 230vac, 100psi	1
▲	2	190129	(00000000-) Switch, Press, Soltn Pump	1
▲	2	190172	(00000000-) Switch Kit, 80- 100psi [Viton]	1
▲	2	190134	(00000000-) Diaphragm, Switch [Shurflo]	1
▲	3	190128	(00000000-) Housing Kit, Upper	1
▲	3	190124	(00000000-) Valve Kit, Check, Replmt	1
▲	4	190171	(00000000-) Valve Kit [Viton]	1
▲	5	190131	(00000000-) Service Kit [Shurflo]	1
▲	6	190130	(00000000-) Housing Kit, Lower [94- 385- 03]	1

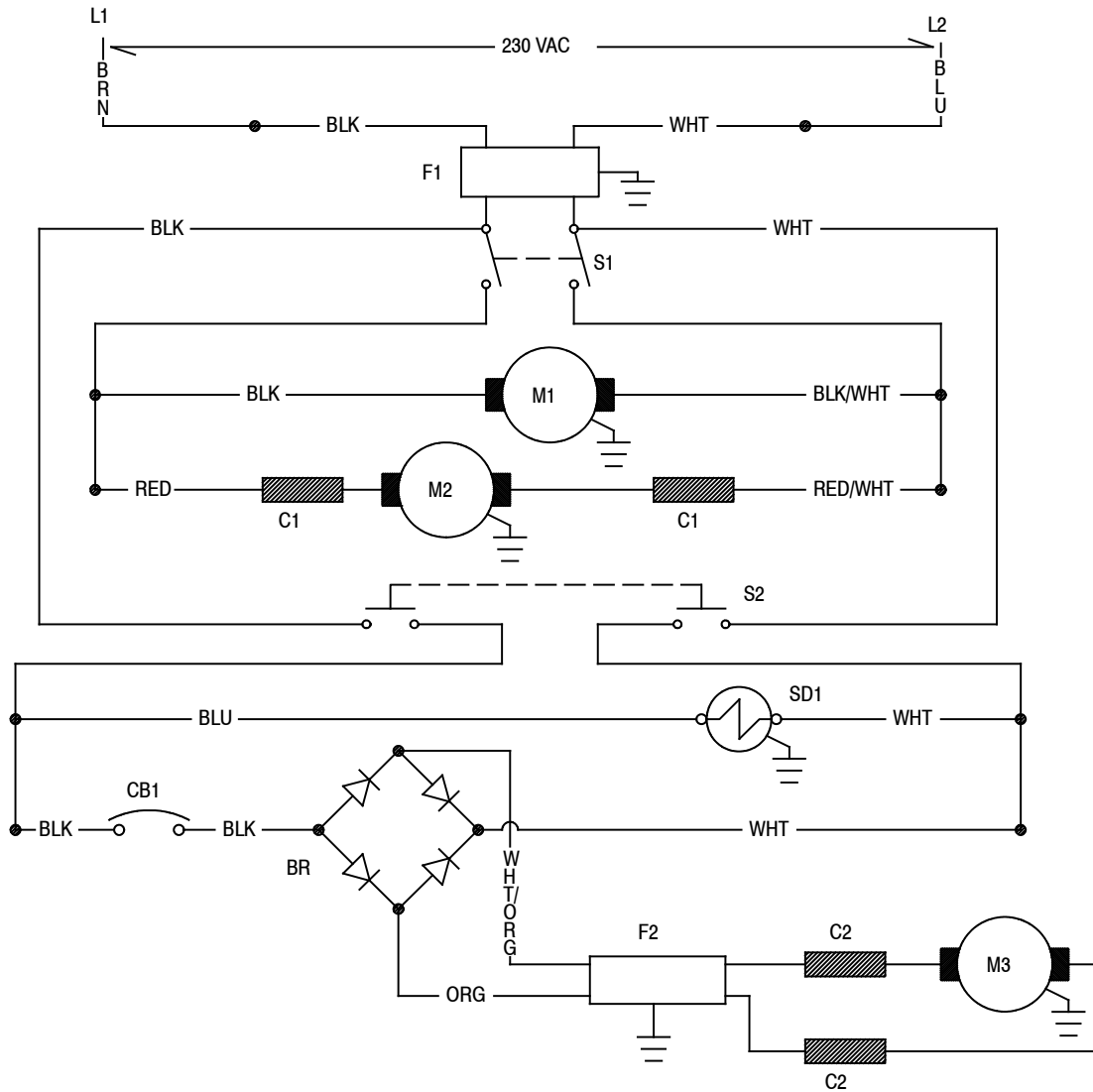
▽ ASSEMBLY

▲ INCLUDED IN ASSEMBLY

WIRING DIAGRAM, 220V/230V/240V



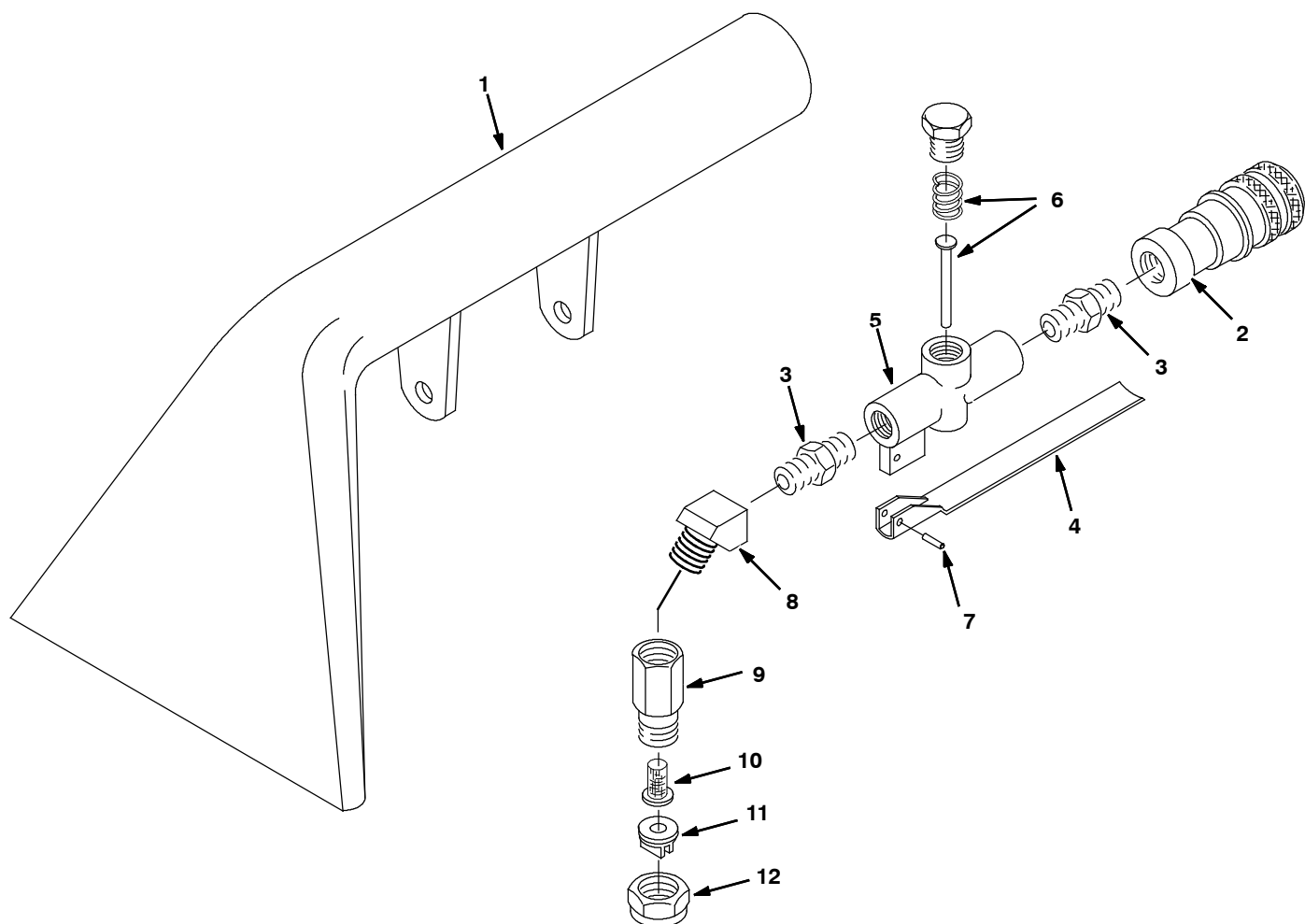
LADDER DIAGRAM, 240V EMC



REFLEGEND

RED=Red
 BLK=Black
 WHT=White
 ORG=Orange
 BLU=Blue
 BRN=Brown
 S1=Switch, Vac
 S2=Switch, Brush
 M1=Motor, Vacuum
 M2=Pump
 M3=Motor, Brush
 SD1=Valve, Solenoid
 CB1 =Circuit Breaker
 F 1=Filter, RFI
 F 2=Brush Filter, RFI
 BR=Bridge Rectifier
 C1=Choke, RFI
 C2=Choke, RFI

HAND TOOL, 5 in (127 mm)

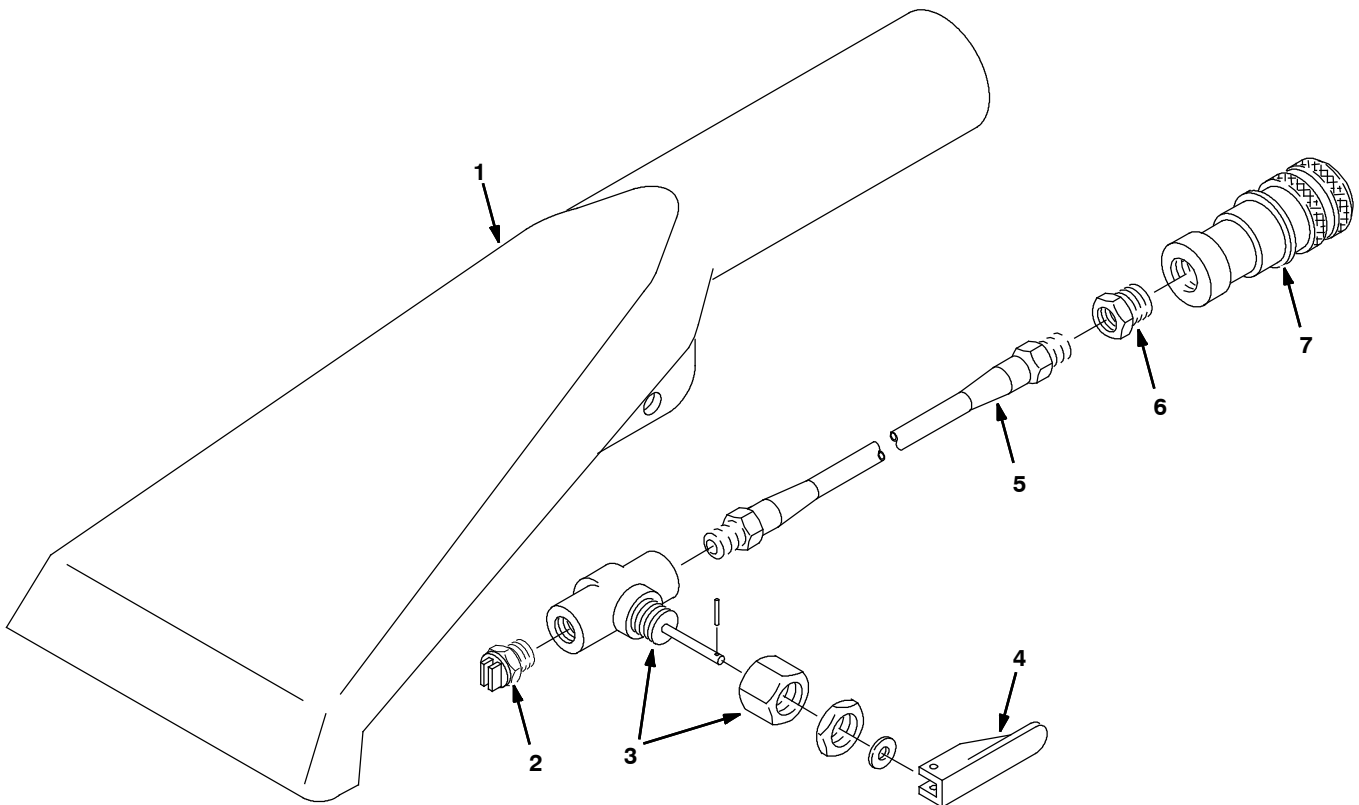


Ref.	Part No.	Serial Number	Description	Qty.	
▽	200505	(00000000-) Tool, Hand, 127mm 5.0w	1	
▲	1	200431.BK	(00000000-) Tool, Hand, Blk	1
▲	2	150913	(00000000-) Fitting, Brs, Qdc, Pf04 [Ser60]	1
▲	3	150606	(00000000-) Fitting, Brs, Str, Pm04/Pm04 X1.38I[Nip]	2
▲	4	200905	(00000000-) Lever [K- Valve W/ Pin]	1
▲	5	210210	(00000000-) Valve, Water, Flow Cntrl, Pf04/Pf04	1
▲	6	190600	(00000000-) K- Valve Kit, Repair	1
▲	7	140609	(00000000-) Pin, Roll, .187d X 0.56l, PI	1
▲	8	150403	(00000000-) Fitting, Brs, E45, Pf04/Pm04 [Taped]	1
▲	9	200992	(00000000-) Fitting, Brs, Str, Pf02, Swivel	1
▲	10	200996	(00000000-) Filter, Screen, 100mesh, Check Valve	1
▲	11	200965	(00000000-) Fitting, Brs, Tip [8002, T- Jet]	1
▲	12	200994	(00000000-) Cap, Nozzle, Spray [#8002]	1

▽ ASSEMBLY

▲ INCLUDED IN ASSEMBLY

CREVICE TOOL, 3 in (76 mm)

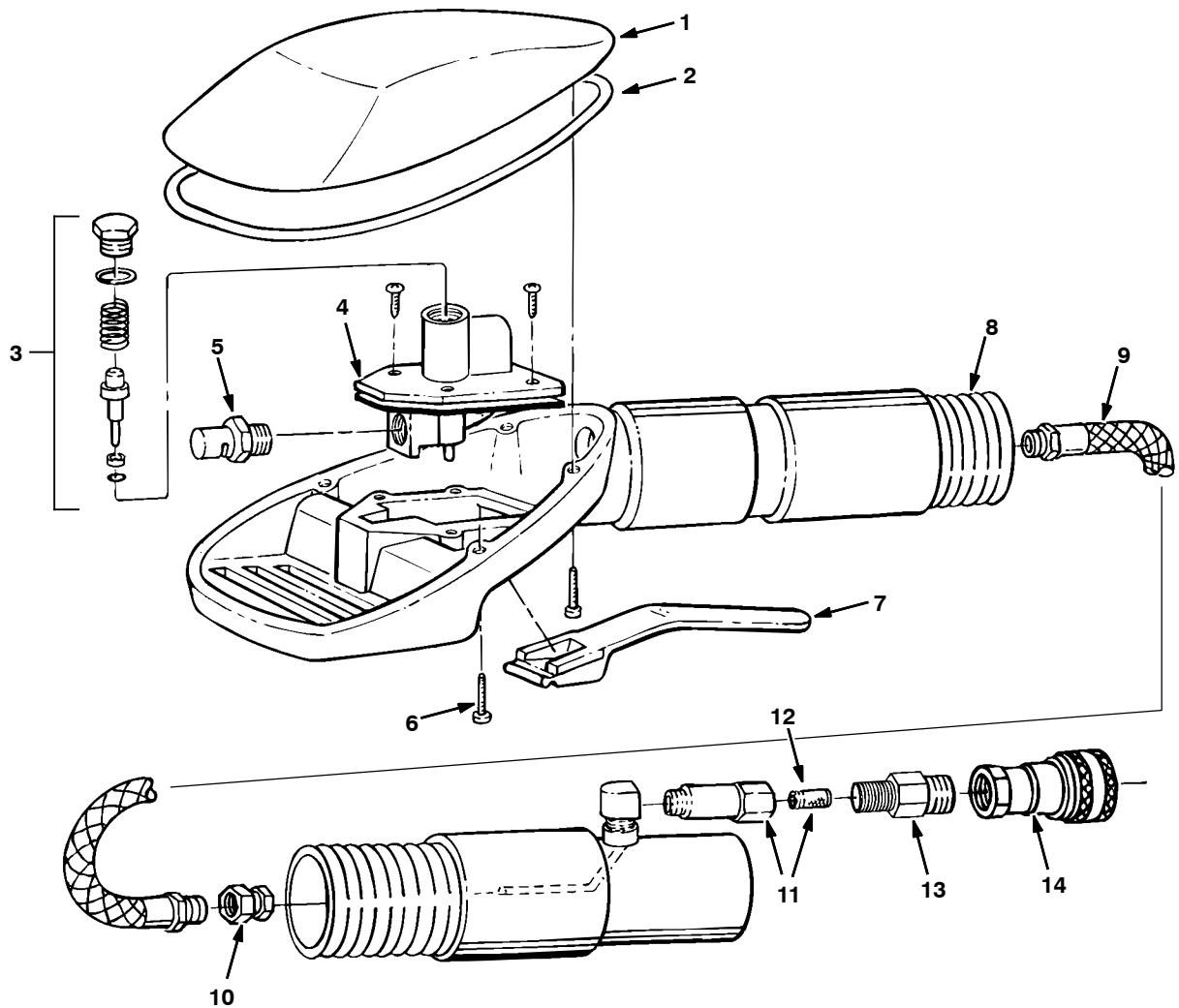


Ref.	Part No.	Serial Number	Description	Qty.
▽	200517	(00000000-) Tool [Crevice Lp/Hp Series 60]	1
▲ 1	200436.BK	(00000000-) Tool, Blk [Crevice]	1
▲ 2	200975	(00000000-) Fitting, Brs, Jet [.125 V- Jet]	1
▲ 3	210014	(00000000-) Valve, Water, Toggle, Pf02, W/ Nut	1
▲ 4	210020	(00000000-) Handle, Valve [Positioner]	1
▲ 5	160106	(00000000-) Hose, Soltn, Crevice Tool	1
▲ 6	150100	(00000000-) Fitting, Brs, Str, Pf02/Pm04	1
▲ 7	150913	(00000000-) Fitting, Brs, Qdc, Pf04 [Ser60]	1

▽ ASSEMBLY

▲ INCLUDED IN ASSEMBLY

UPHOLSTERY TOOL, LOW PRESSURE

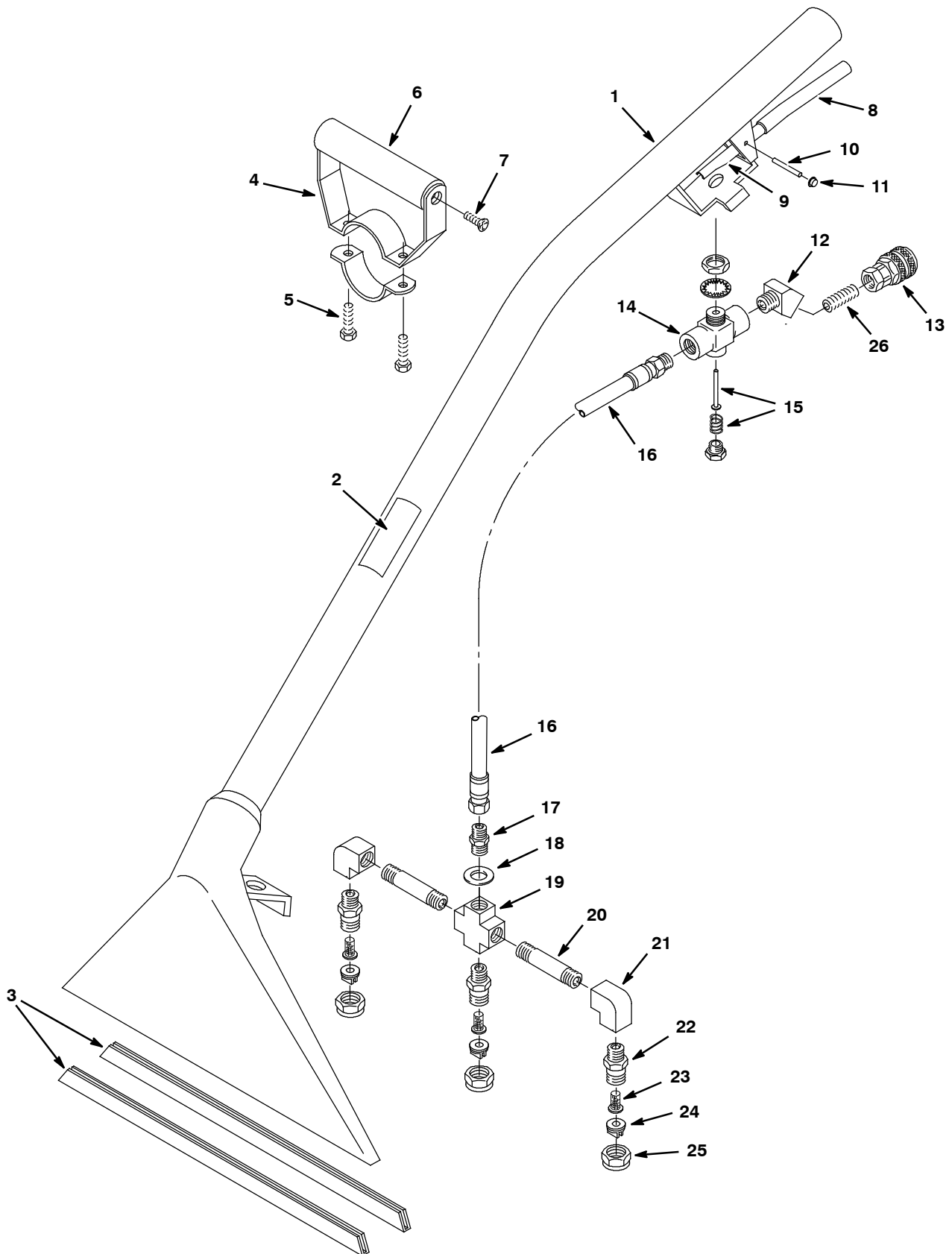


Ref.	Part No.	Serial Number	Description	Qty.	
▽	200540	(00000000-) Tool [Upholstery Lp Series 60]	1	
▲	1	200845	(00000000-) Cover, Tool [Upholstery]	1
▲	2	200843	(00000000-) Gasket, Cover	1
▲	3	190631	(00000000-) Service Kit [Upholstery, Lp]	1
▲	4	210226	(00000000-) Valve, Water, Solenoid, 120vac Low Press	1
▲	5	200991	(00000000-) Fitting, Ss, Jet, 1/8k- Jet	1
▲	6	200838	(00000000-) Vr, Screw, Pan, Phl, 06- 32 X 0.75	4
▲	7	200840	(00000000-) Trigger Upholstery Tool	1
▲	8	200844	(00000000-) Hose, Vacuum [Upholstery Tool W/O Cuffs]	1
▲	9	200837	(00000000-) Hose [Hp Upholstery Tool]	1
▲	10	200848	(00000000-) Fitting, Brs [3 Pcs]	1
▲	11	200842	(00000000-) Filter, In- Line, Complt	1
▲	12	200841	(00000000-) Screen, Fltr, In- Line	1
▲	13	150606	(00000000-) Fitting, Brs, Str, Pm04/Pm04 X1.38 [Nip]	1
▲	14	150913	(00000000-) Fitting, Brs, Qdc, Pf04 [Ser60]	1

▽ ASSEMBLY

▲ INCLUDED IN ASSEMBLY

FLOOR TOOL, LOW PRESSURE 13 in (330 mm)



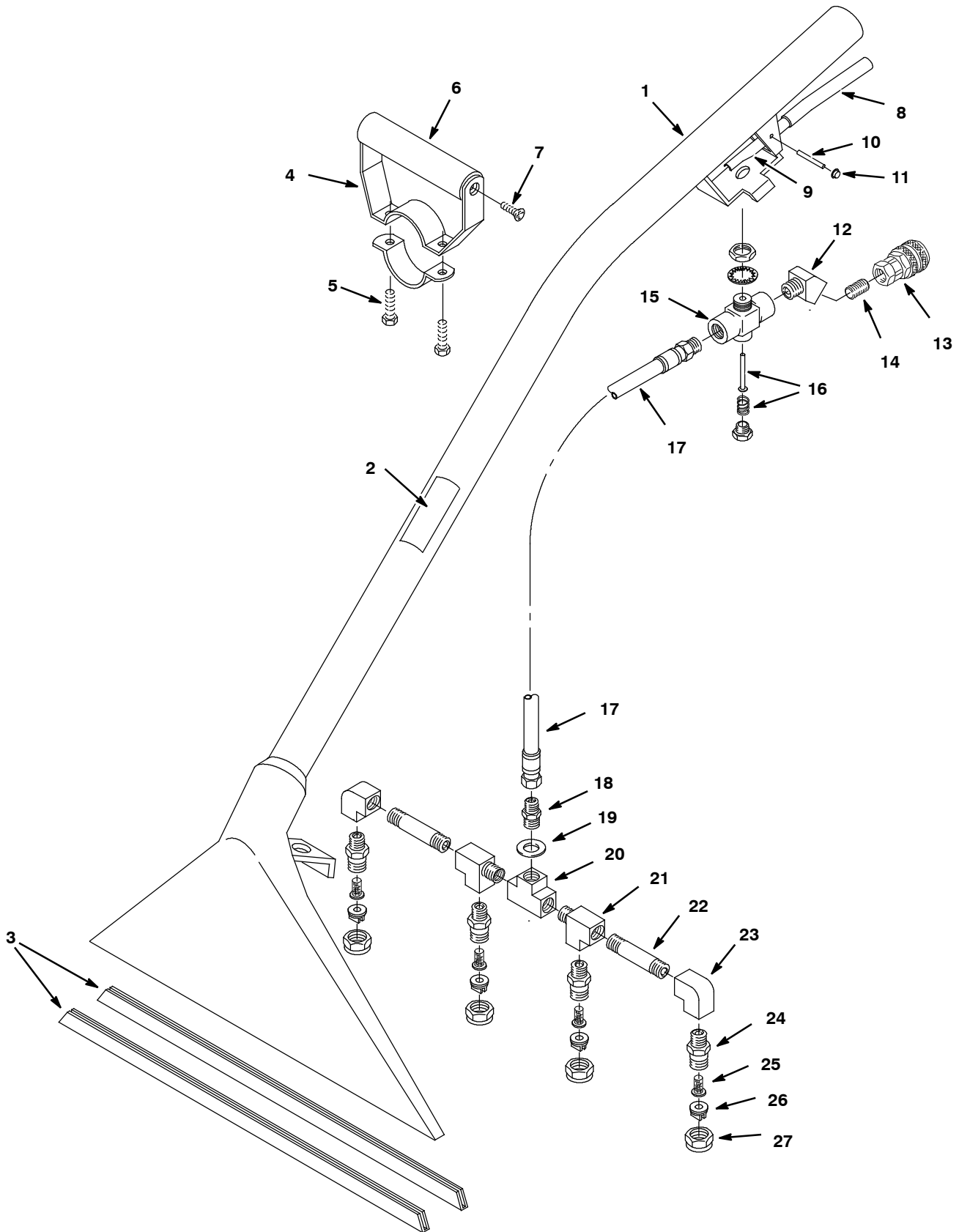
FLOOR TOOL, LOW PRESSURE 13 in (330 mm)

Ref.	Part No.	Serial Number	Description	Qty.
▽	600048	(00000000-) Tool, Floor, 13.0w, 33cm [W/3 Nozzles]	1
▲	1 200403.BK	(00000000-) Tool, Pickup, Floor, 12w, Blk	1
▲	2 120846	(00000000-) Label, Low- Press Floor Tool	1
▲	3 200939	(00000000-) Plate, Tool, Floor, 13.00 [Shoe]	2
▲▽	4 200927	(00000000-) Grip Hand Adj, Complt	1
▲▲	5 01697	(00000000-) Screw, Hex, .25- 20 X 0.62, Ss	2
▲▲	6 200912	(00000000-) Grip, Handle, Foam	1
▲▲	7 140834	(00000000-) Screw, Flt, .25- 20 X 0.62, Phl, Ss	2
▲	8 200809	(00000000-) Sleeve, Handle, Floor Tool	1
▲	9 200902	(00000000-) Handle, Valve [Imperial]	1
▲	10 140605	(00000000-) Pin, Handle [Imperial Eastman]	1
▲	11 140520	(00000000-) Nut, Push, .25id, Blk, PI	2
▲	12 150403	(00000000-) Fitting, Brs, E45, Pf04/Pm04 [Taped]	1
▲	13 150913	(00000000-) Fitting, Brs, Qdc, Pf04 [Ser60]	1
▲▽	14 210150	(00000000-) Valve, Water, Flow Cntrl, Pf04/Pf04	1
▲▲	15 190603	(00000000-) Imperial Eastman Kit, Repair	1
▲	16 160170	(00000000-) Hose Assy, Wand, 47.34 [Endtoend, 42059]	1
▲	17 150606	(00000000-) Fitting, Brs, Str, Pm04/Pm04 X1.38 [Nip]	1
▲	18 140058	(00000000-) Washer, Flat, 0.54b 0.88d .06, Ss [Wand]	1
▲▽	700062	(00000000-) Bar Assy, Spray, 12inch, W/O Tip[Flr TI]	1
▲▲	19 150700	(00000000-) Fitting, Brs, Cross, Pf04/Pf04/Pf04/Pf04	1
▲▲	20 150600	(00000000-) Fitting, Brs, Nipple, Pm04 X 2.0 [Taped]	2
▲▲	21 150401	(00000000-) Fitting, Brs, E90, Pf04/Pf04	2
▲▲	22 200993	(00000000-) Fitting, Brs, Pm04 [Spray Body]	3
▲	23 200996	(00000000-) Filter, Screen, 100mesh, Check Valve	3
▲	24 200964	(00000000-) Fitting, Brs, Tip [11003, T- Jet]	3
▲	25 200994	(00000000-) Cap, Nozzle, Spray [#8002]	3
▲	26 150615	(00000000-) Fitting, Brs, Str, Pm04, Close, T	1

▽ ASSEMBLY

▲ INCLUDED IN ASSEMBLY

FLOOR TOOL, LOW PRESSURE 16 in (406 mm)



FLOOR TOOL, LOW PRESSURE 16 in (406 mm)

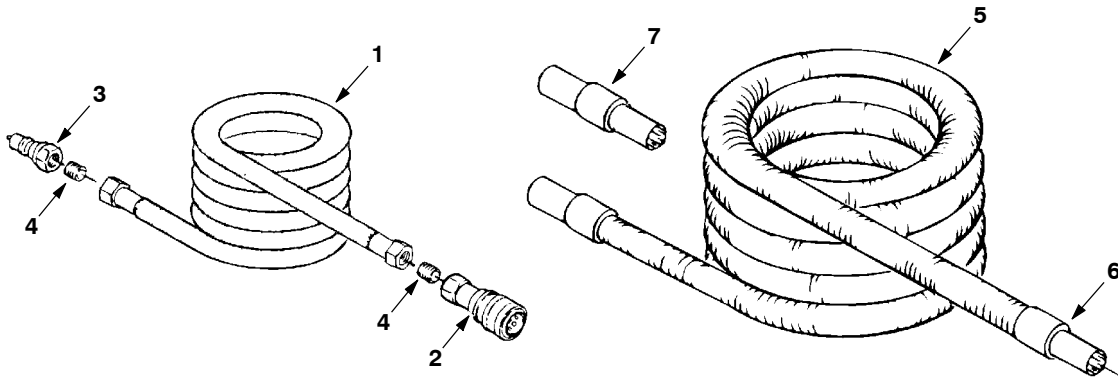
Ref.	Part No.	Serial Number	Description	Qty.
▽	200503	(00000000-) Tool, Pickup, Floor, 16w [Lp Series 60]	1
▲	1 200411.BK	(00000000-) Tool, Pickup, Floor, 16w, Blk	1
▲	2 120846	(00000000-) Label, Low- Press Floor Tool	1
▲	3 200956	(00000000-) Plate, Floor, 16.00, Ss [Shoe]	2
▲▽	4 200927	(00000000-) Grip Hand Adj, Complt	1
▲▲	5 01697	(00000000-) Screw, Hex, .25- 20 X 0.62, Ss	2
▲▲	6 200912	(00000000-) Grip, Handle, Foam	1
▲▲	7 140834	(00000000-) Screw, Flt, .25- 20 X 0.62, Phl, Ss	2
▲	8 200809	(00000000-) Sleeve, Handle, Floor Tool	1
▲	9 200902	(00000000-) Handle, Valve [Imperial]	1
▲	10 140605	(00000000-) Pin, Handle [Imperial Eastman]	1
▲	11 140520	(00000000-) Nut, Push, .25id, Blk, PI	2
▲	12 150403	(00000000-) Fitting, Brs, E45, Pf04/Pm04 [Taped]	1
▲	13 150913	(00000000-) Fitting, Brs, Qdc, Pf04 [Ser60]	1
▲	14 150615	(00000000-) Fitting, Brs, Str, Pm04, Close, T	1
▲▽	15 210150	(00000000-) Valve, Water, Flow Cntrl, Pf04/Pf04	1
▲▲	16 190603	(00000000-) Imperial Eastman Kit, Repair	1
▲	17 160170	(00000000-) Hose Assy, Wand, 47.34 [Endtoend, 42059]	1
▲	18 150606	(00000000-) Fitting, Brs, Str, Pm04/Pm04 X1.38 [Nip]	1
▲	19 140058	(00000000-) Washer, Flat, 0.54b 0.88d .06, Ss [Wand]	1
▲▽	700656	(00000000-) Bar Assy, Spray, 16inch, W/O Tip	1
▲▲	20 150706	(00000000-) Fitting, Brs, Tee, Pf04/Pf04/Pf04	1
▲▲	21 150709	(00000000-) Fitting, Brs, Tee, Pm04/Pf04/Pf04, Run	2
▲▲	22 150600	(00000000-) Fitting, Brs, Nipple, Pm04 X 2.0 [Taped]	2
▲▲	23 150401	(00000000-) Fitting, Brs, E90, Pf04/Pf04	2
▲▲	24 200993	(00000000-) Fitting, Brs, Pm04 [Spray Body]	4
▲	25 200996	(00000000-) Filter, Screen, 100mesh, Check Valve	4
▲	26 200964	(00000000-) Fitting, Brs, Tip [11003, T- Jet]	4
▲	27 200994	(00000000-) Cap, Nozzle, Spray [#8002]	4

▽ ASSEMBLY

▲ INCLUDED IN ASSEMBLY

OPTIONS

HOSES, LOW PRESSURE SOLUTION AND VACUUM

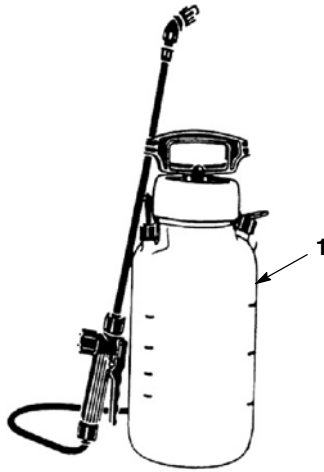


Ref.	Part No.	Serial Number	Description	Qty.
▽	1	1073341	(00000000-) Hose Assy, .38id X 15ft, Qdc/Qm [Ser60] (Optional)	1
▽	1	160186	(00000000-) Hose, Soltn, .38id X 25ft [Series 60,Lp] (Standard)	1
▽	1	160187	(00000000-) Hose, Soltn, .38id X 50ft [Series 60,Lp] (Optional)	1
▲	2	150913	(00000000-) Fitting, Brs, Qdc, Pf04 [Ser60]	1
▲	3	150933	(00000000-) Fitting, Brs, Qdc, Pm04 [Ser60]	1
▲	4	150615	(00000000-) Fitting, Brs, Str, Pm04, Close, T	2
▽	5	160400	(00000000-) Hose, Vacuum, 1.50id X 15ft, 2cuff (Optional)	1
▽	5	160401	(00000000-) Hose, Vacuum, 1.50id X 25ft, 2cuff (Standard)	1
▽	5	160402	(00000000-) Hose, Vacuum, 1.50id X 50ft, 2cuff (Optional)	1
▲	6	160430	(00000000-) Cuff, 1.5d Hose, 1.5id	2
	7	12694	(00000000-) Fitting, Plstc, Str, Bm24/Bm24	1
	N/S	220040	(00000000-) Bag, Hose, Accssry, 24x36[W/Draw String] (Optional)	1

▽ ASSEMBLY

▲ INCLUDED IN ASSEMBLY

PUMP-UP CARPET SPRAYER



Ref.	Part No.	Serial Number	Description	Qty.
1	605848	(00000000-) Sprayer 2gal Pumpup Hd (Optional)	1