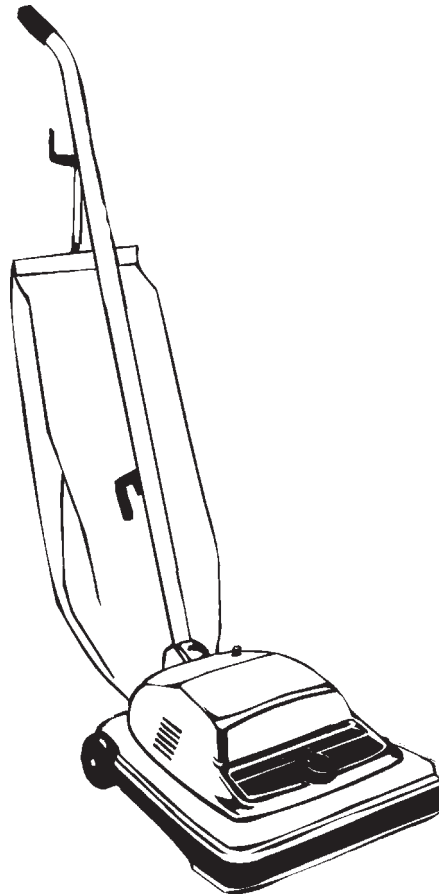


SelectVac™ 12HP

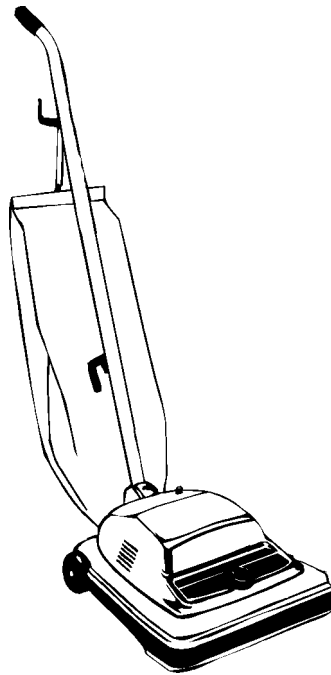


PARTS LIST

Kent MODELS 56648093, 56100758(OBS)

KENT

8/99 revised 7/05 FORM NO. 56042387



DESCRIPTION	PAGE
BASE ASSEMBLY	2-3
WIRING DIAGRAM	3
VAC MOTOR ASSEMBLY	4-5
HANDLE ASSEMBLY	6-7

WHEN ORDERING PARTS

- * Use the 8 digit numbers from the "Ref. No." columns in this parts list.
- * Specify the model and serial number of the machine.
- * Use the space below to record the model and serial number for future reference.

Model _____ Serial No. _____

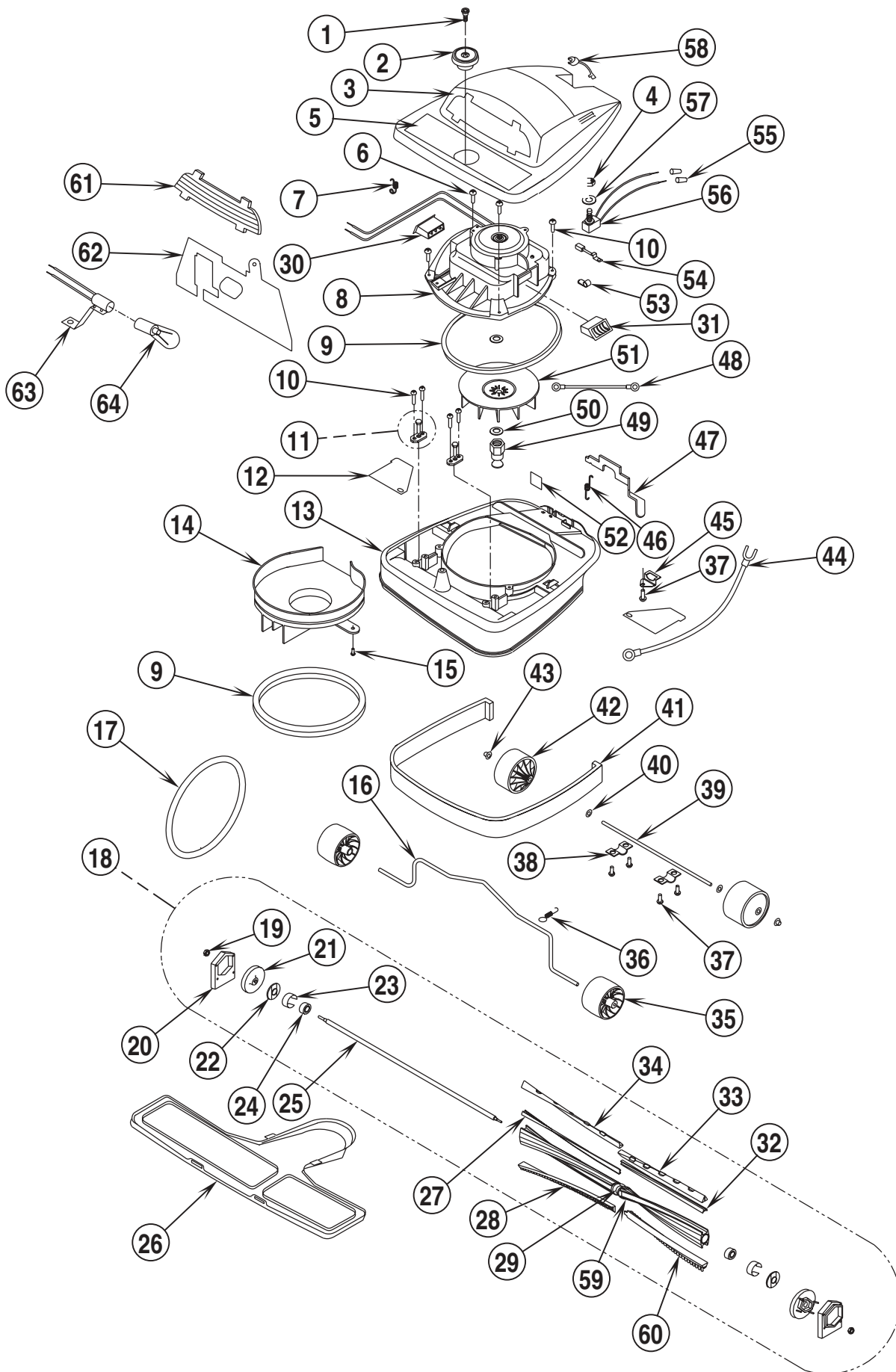
BASE ASSEMBLY

99-8

2

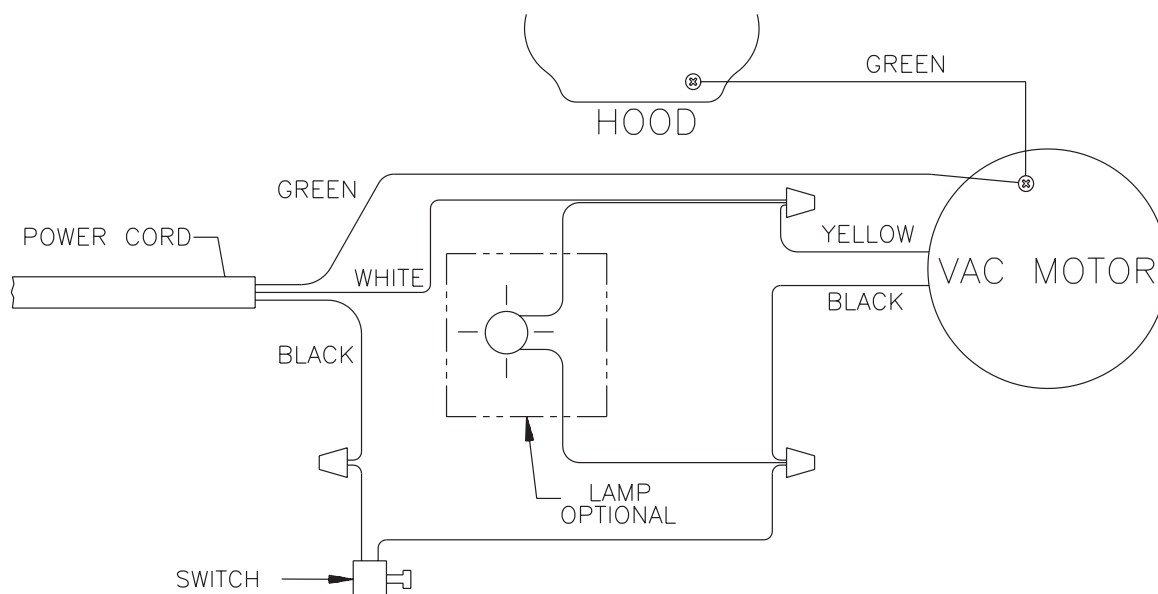
SelectVac™ 12HP

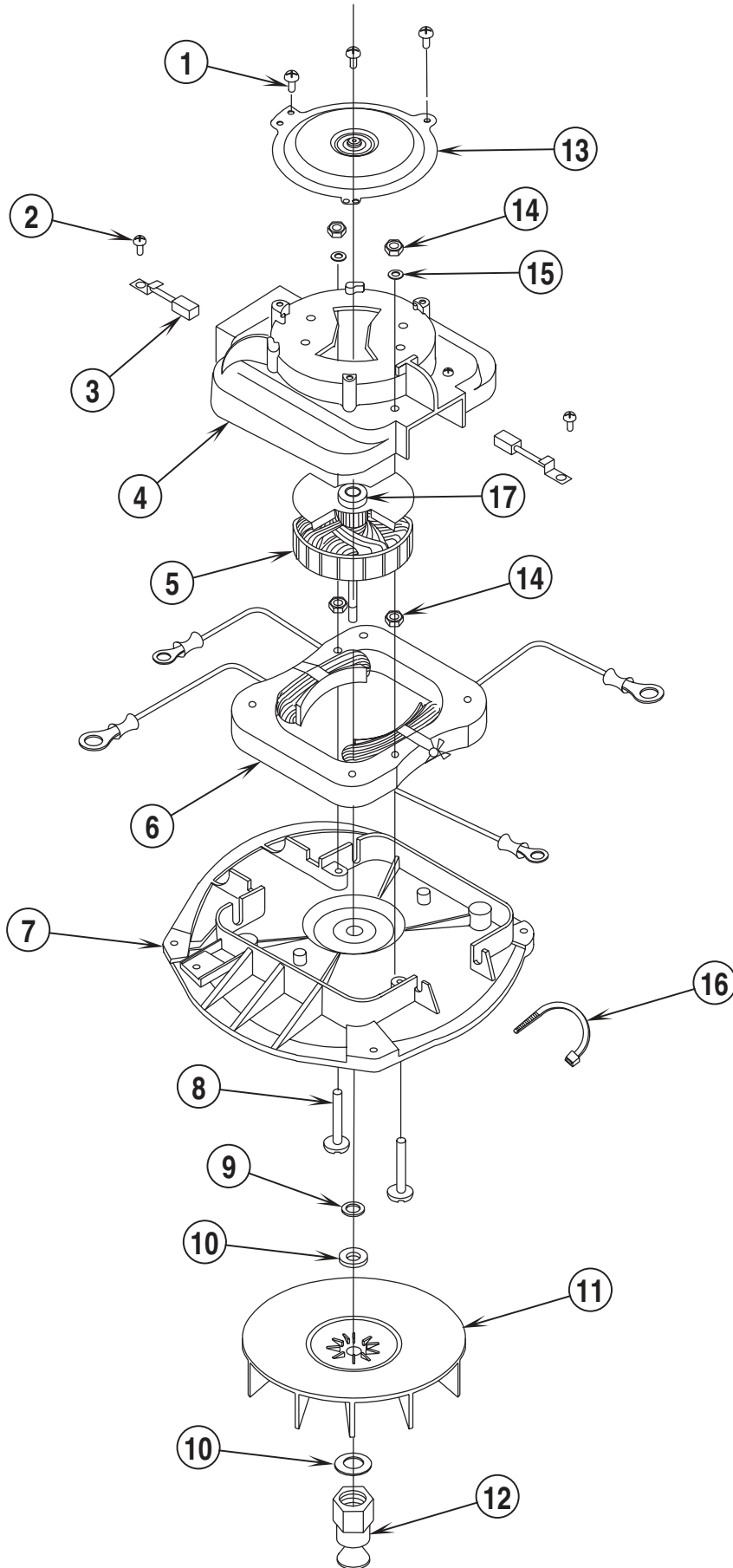
99-9



Item	Ref. No.	Qty	Description	Item	Ref. No.	Qty	Description
1	56009385	1	Scr Shldr Plasform 12-10 x .172	36	56630620	1	Spring,Ext .275d 1.50l .024wd
2	56630517	1	Asm,Knob	37	56009191	5	Scr Tpg F Pan Hd 10-10x.500l
3	56648083	1	Hood,Mtr	38	56630921	2	Clamp,Axle
4	56630917	1	Nut-Switch Upright	39	56630671	1	Axle,Rear—Sc886-A
5	56016459	1	Decal, SelectVac	40	56009384	2	Wshr Flt .328id.562od.031
6	56003322	1	Scr Tpg F Pan Hd 10-10x.625l	41	56630508	1	Guard,Furn—Clear Blue,31.00l
7	56630765	2	Spring,Ext .304d .930l .055wd	42	56630500	2	Wheel—2.62dia.,.316bore, .797hb
8	56630358	1	Motor, Vac, 115v	43	56630767	2	Nut,Push-On—
	56100759	1	Motor, Vac, 230v	44	56630790	1	Asm,Wire—18ga,Gm,7.5l,Rings
9	56630562	2	Gasket-Motor Seal	45	56630668	1	Retainer Brkt—Bag Clip
10	56003504	7	Scr Tpg F Pan Hd 10-10x.812 L	46	56630732	1	Spring,Ext .257d 1.25l .035wd
11	56630791	2	Asm,Clamp & Screw—	47	56630395	1	Pedal,Foot—Uprt,White
12	56630606	2	Cover-Wheel	48	56630914	1	Asm,Wire—18ga,Gm,9.0l,Rings
13	56648407	1	Asm,Base	49	56630665	1	Pulley—Motor Drive,Service
14	56630333	1	Cover-Fan Scroll	50	56630799	2	Wshr Flt .312id.625od.094t Fbr
15	56003504	2	Scr Tpg F Pan Hd 10-10x.812 L	51	56630273	1	Fan—Upright,Lexan
16	56630597	1	Axle-Front (C2035g)	52	56630965	1	Label—Warning Moving Parts
17	56630563	1	Belt-Disturbulator Drive	53	56630837	1	Clamp,Loop— .250 Closed Id,Nyl
18	56630492	1	Asm,Disturbulator—Uprt,12,Vg1	54	56630561	2	Brush,Mtr
19	56630819	2	Nut,Hex Lock— 10-32,Nyloc	55	56638120	3	Nut,Wire—Ideal 72b,Blu
20	56630488	2	Cap,Cover—Various Uprights	56	56630621	1	Switch,Push—Spst,10a,125v
21	56630487	2	Cap,Disturbulator—1.480dia.	57	56009383	1	Wshr Int Shprt .509 x .625 x .020
22	56630589	2	Cover Plate	58	56630768	1	Bshg,Strn Rlf—Heyco Sr-6n3-4
23	56630763	2	Tolerance Ring	59	56630587	1	Asm,Extrusion & Pulley—
24	56630762	2	Brg,Ball— .250id, .688od, .312w	60	56630698	1	Bristle Strip Asm.,Short
25	56630582	1	Shaft-Disturbulator	61	56630265	1	Lens, Hood
26	56630478	1	Asm,Plate—Bottom	62	56630420	1	Shield, Light
27	56630594	1	Support-Beater Bar Long	63	56630680	1	Asm, Headlamp Socket
28	56630699	1	Bristle Strip Asm.,Long	64	56630722	1	Lamp, Headlight, 115v
29	56630770	1	Pulley Replacement Pkg		56630753	1	Lamp, Headlight, 230v
30	56630950	1	Asm,Air Duct—Right				
31	56630949	1	Asm,Air Duct—Left	**	56052964	1	Magnet, Permanent
32	56630593	1	Support-Beater Bar Short	**	56630325	1	Kit, Upright Attachment
33	56630583	1	Beater Bar-Short				
34	56630584	1	Bar-Beater Long				
35	56630592	2	Wheel—2.25dia, .322bore, 1.62hb				

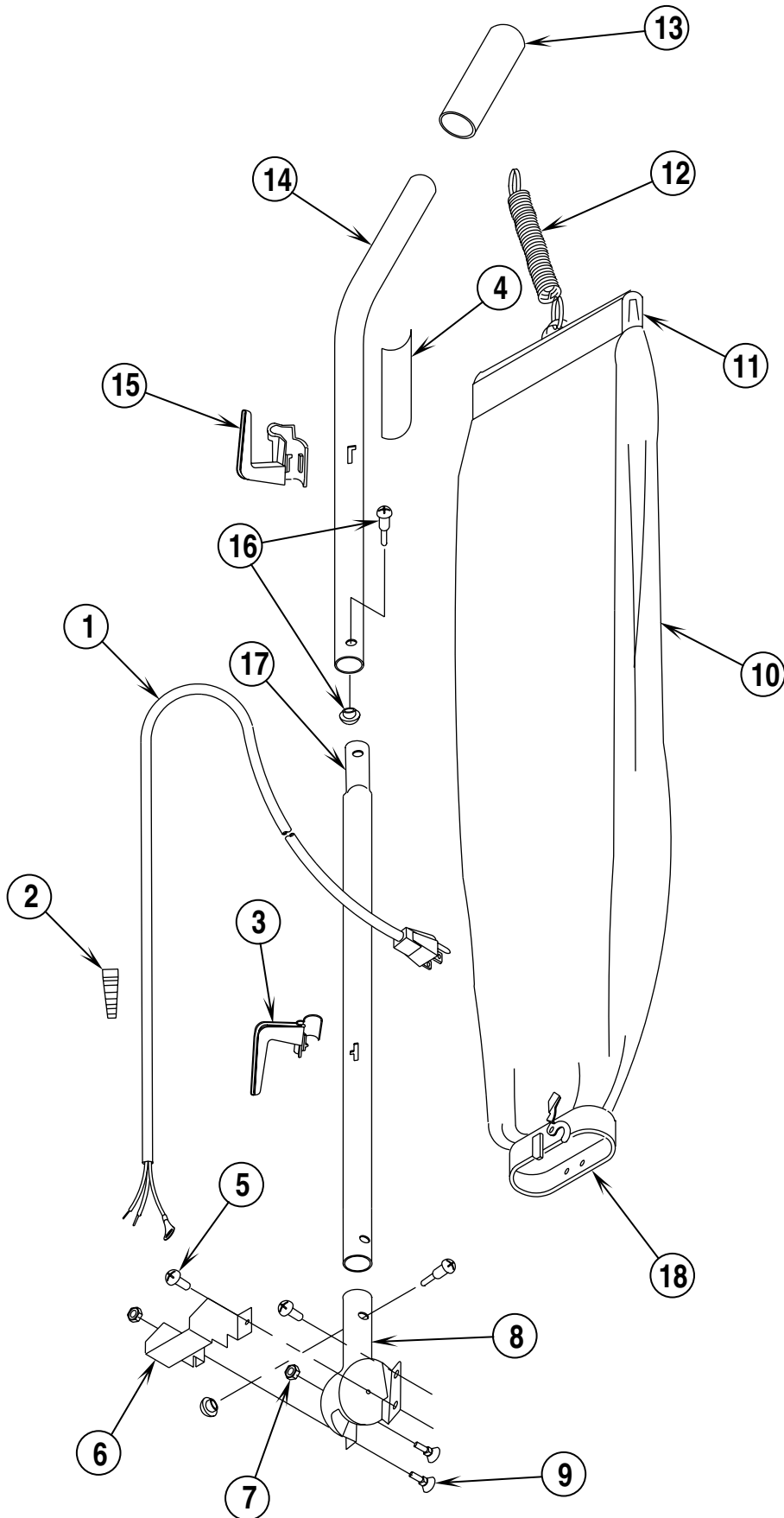
** = Not Included (optional)





99-8	VAC MOTOR ASSEMBLY		
05-7	SelectVac™ 12HP		5

Item	Ref. No.	Qty	Description
1	56630787	3	Scr Tpg C Pan Hd 8-Btx.500l
2	56002811	2	Scr Mach Pan Hd 6-32x.250l
3	56630561	2	Brush,Mtr
4	56630525	1	Cover,Mtr
5	56630901	1	Kit,Armature—Replacement (115V Only)
6	56630895	1	Stator,Mtr (115V Only)
7	OBS	1	Assy, Base Motor (replaced by 56648406 / items 8 & 9 on page 3)
8	56630793	2	Orlo Thd. Screw
9	56630870	1	Wshr Flt .318id.500od.046t Stl
10	56630799	2	Wshr Flt .312id.625od.094t Fbr
11	56630273	1	Fan—Upright,Lexan
12	56630665	1	Pulley—Motor Drive,Service
13	56630375	1	Asm,Retainer
14	56009148	4	Nut,Hex— 8-32,Zn Plt
15	56009010	2	Wshr Lk .172id.330od.020t Int
16	56630749	1	Tie-Cable—3.62" Long
17	56630723	1	Brg,Ball—.275id,.866od,.315w



99-8	HANDLE ASSEMBLY		
00-1	SelectVac™ 12HP		7

Item	Ref. No.	Qty	Description
1	56025715	1	Cord,Power—18-3,Sjt,Gray,50'
2	56630634	1	Spring,Comp .625d 2.12l .042wd
3	56630298	1	Hook,Cord—Uprt,Lower,Black
4	56630714	1	Label,Warn—Uprt,Eng/French
5	56003322	2	Scr Tpg F Pan Hd 10-10x.625l
6	56630623	1	Shield-Handle Socket
7	56002768	2	Nut,Hex Lock— 10-24,Nyloc
8	56630696	1	Asm,Handle Socket
9	56003543	2	Bolt,Carriage—10-24 X .625l
10	56630387	1	Asm,Bag—Top Fill,Blk,Tyt,Hdc
11	56630565	1	Clip—Bag,Chrome Over Nkl Plt
12	56630761	1	Spring,Ext .531d 3.89l .054wd
13	56630575	1	Grip,Handle—Black
14	56630267	1	Upper Tube—Upright
15	56630295	1	Hook,Cord—Uprt,Upper,Black
16	56630919	2	Asm,Screw—Handle
17	56630268	1	Handle Tube—Upright
18	56630874	1	Bag,Adapter—Service Item Only
**	56630427	1	Zipper Bag
**	56703533	A/R	Disposable Paper Bag (pkg of 3)
**	56703549	A/R	Disposable Paper Bag (case of 36)
**	56039515	1	Kit, Dirt Cup

** = Not Included (optional)

KENT

14600 21st Avenue North
Plymouth, MN, 55447-3408
www.kenturoclean.com
Phone: 800-334-1083
Fax: 866-261-4779
©2005 Printed in the U.S.A.