



Model Part No.:
1072861 - 120V

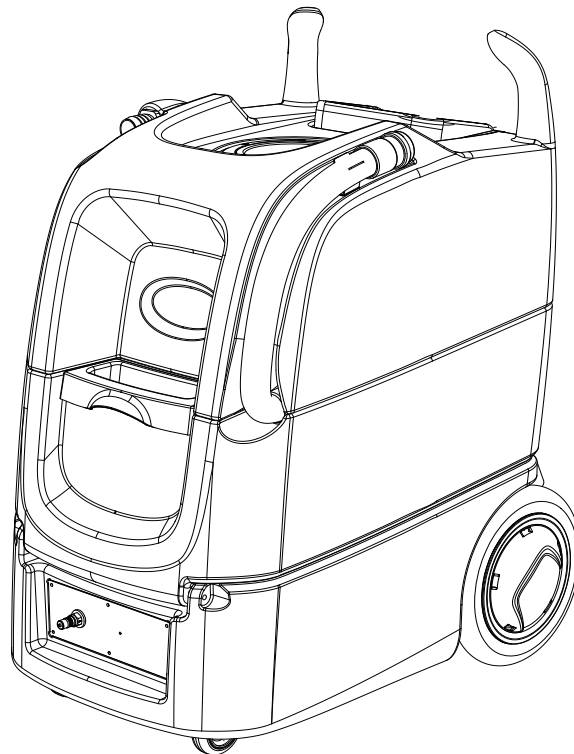
Explorer™ H2

200 PSI CARPET EXTRACTOR WITH HEAT
EXTRACTOR DE ALFOMBRAS CON CALOR DE 200PSI
EXTRACTEUR DE MOQUETTE DE 200 PSI AVEC RÉCHAUFFEUR

OPERATOR AND PARTS MANUAL EN

MANUAL PARA EL OPERADOR Y DE REPUESTOS ES

MANUEL DE L'OPÉRATEUR ET DES PIÈCES DÉTACHÉES FR



To view, print or download
the latest manual, visit:

www.nobles.com/manuals

www.nobles.com

9011262
Rev. 05 (01-2017)

INTRODUCTION

This manual is furnished with each new model. It provides necessary operation and maintenance instructions and replacement parts information.



Read all instructions before using this machine.

INTENDED USE

The Nobles Extractor is intended for commercial use, for example in hotels, schools, hospitals, shops, offices and rental businesses. It is designed to clean carpets in an indoor environment and is not constructed for any other use. Use only commercially available floor cleaners and recommended accessory tools intended for machine application. Do not use this machine other than described in this manual.

GENERAL INFORMATION

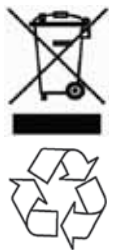
This machine will provide excellent service. However, the best results will be obtained at minimum costs if:

- The machine is operated with reasonable care.
- The machine is maintained regularly - per the maintenance instructions provided.
- The machine is maintained with manufacturer supplied or equivalent parts.

To view, print or download manuals online visit www.nobles.com

UNPACKING MACHINE

Carefully check machine for signs of damage. Report damage at once to carrier. Check machine contents to ensure all parts and accessories are included. Contact distributor or Tennant for missing items.



PROTECT THE ENVIRONMENT

Please dispose of packaging materials and used machine components in an environmentally safe way according to your local waste disposal regulations. Always remember to recycle.

Tennant Company

PO Box 1452
Minneapolis, MN 55440
Phone: (800) 553-8033 or (763) 513-2850

www.nobles.com

Nobles is a registered United States trademark of Tennant Company.
Explorer is a United States trademark of Tennant Company.

Specifications and parts are subject to change without notice.
Original Instructions. Copyright ©2013 Tennant Company
All rights reserved. Printed in U.S.A.

MACHINE DATA

Please fill out at time of installation for future reference.

Model No. - _____

Serial No. - _____

Installation Date - _____

IMPORTANT: To ensure full warranty protection, fill out the attached MACHINE INSTALLATION/WARRANTY REPORT REPLY CARD and return to Tennant within 30 days of purchase.

MACHINE SERIAL NO. TAG LOCATION



TABLE OF CONTENTS

IMPORTANT SAFETY INSTRUCTIONS	3
SAFETY LABEL	4
GROUNDING INSTRUCTIONS	4
MACHINE COMPONENTS	5
MACHINE SETUP	6
MACHINE OPERATION	7
DRAINING TANKS	8
MACHINE MAINTENANCE	8
SERVICING MACHINE	9
STORING MACHINE	9
LOADING MACHINE	9
MACHINE SPECIFICATIONS	10
TROUBLESHOOTING	11
PARTS LIST	32-43
ELECTRICAL DIAGRAM	44
ACCESSORY TOOLS APPLICATION GUIDE	45

IMPORTANT SAFETY INSTRUCTIONS

When using an electrical appliance, basic precautions should always be followed, including the following:



READ ALL INSTRUCTIONS BEFORE USING THIS MACHINE



WARNING - To reduce the risk of fire, explosion, electric shock, or injury:

1. Do not leave appliance when plugged in. Unplug cord from outlet when not in use or servicing machine.
2. Do not use outdoors. This machine is for indoor use only.
3. Do not allow to be used as a toy. Close attention is necessary when used near children.
4. Use only as described in this manual. Use only manufacturer's recommended accessory tools.
5. Operators shall be adequately instructed on the use of this machine.
6. This machine is not intended for use by persons, including children, with reduced physical, sensory or mental capabilities, or lack of experience and knowledge.
7. Follow site safety guidelines concerning wet floors.
8. Wear non-slip shoes when operating machine.
9. Do not use with damaged cord or plug. If appliance is not working as it should, has been dropped, damaged, left outdoors, or dropped in water, return it to a service center for repair.
10. Do not pull or carry by cord, use cord as a handle, close a door on cord, or pull cord around sharp edges or corners. Do not run appliance over cord. Keep cord away from heated surfaces.
11. Do not pull cord to unplug. To unplug, grasp the plug, not the cord.
12. Do not handle plug or appliance with wet hands.
13. Do not put any object into openings. Do not use with any opening blocked; keep free of dust, lint, hair and anything that may reduce air flow.
14. Do not use without ball float screen in place.
15. Keep hair, loose clothing, fingers, and all parts of body away from openings and moving parts.
16. Turn off all controls before unplugging.
17. Do not use flammable cleaning solvents with machine.
18. Do not add water over 120°F/49°C to solution tank.
19. Do not use to pick up flammable or combustible liquids, such as gasoline, or use in areas where they may be present.
20. Do not pick up any type of hazardous dust or toxic materials.
21. Do not pick up anything that is burning or smoking, such as cigarettes, matches, or hot ashes.
22. Do not point spray at yourself or in the direction of others
23. Do not use this machine for dry vacuuming before wet cleaning.
24. Do not operate machine in standing water.
25. Immediately unplug power cord from outlet if machine leaks solution/foam or if machine tips over while operating.
26. Release water pressure at accessory tool spray nozzle before disconnecting solution hose.
27. Always stop machine on a level surface.
28. Use extra care when cleaning on stairs. Do not wheel machine up or down stairs.
29. Connect to a properly grounded outlet only.
30. Extension cord must be 12/3 gauge and no longer than 40 feet. Replace cord if ground plug becomes damaged.
31. Do not use additional extension cords with machine.
32. Do not use machine if not in proper operating condition.
33. Do not modify machine from its original design.
34. Get assistance when lifting machine.
35. All repairs must be performed by a qualified service person. Use only manufacturer-supplied or equivalent replacement parts.
36. Do not expose machine to rain or moisture. Store indoors only. Do not expose machine to freezing temperatures.
37. Wear appropriate personal protection equipment as needed.

SAVE THESE INSTRUCTIONS

SAFETY LABEL

The safety label appears on the machine in the location indicated. Replace label if it becomes damaged or illegible.

WARNING LABEL - Location on back.

⚠ WARNING

TO REDUCE THE RISK OF FIRE, EXPLOSION, ELECTRICAL SHOCK, OR INJURY:

- Read manual before operating machine.
- Connect cord to a properly grounded outlet only.
- Use only commercially available floor cleaners intended for machine application.
- Do not use flammable cleaning solvents with machine.
- Do not pick up flammable or combustible materials or use in areas where they may be present.
- Do not use with damaged cord or plug. Unplug cord before cleaning or servicing machine.
- Do not use outdoors. Do not expose to rain. Store indoors.

⚠ AVERTISSEMENT

POUR RÉDUIRE LE RISQUE D'INCENDIE, D'EXPLOSION, DE CHOC ÉLECTRIQUE OU DE BLESSURE :

- Lisez le manuel avant de faire fonctionner la machine.
- Branchez le cordon uniquement sur une prise correctement mise à la terre.
- Utilisez uniquement des nettoyeurs de plancher disponibles dans le commerce et destinés aux applications de la machine.
- N'utilisez pas de solvants de nettoyage inflammables avec la machine.
- Ne ramassez pas de matériaux inflammables ou combustibles ou n'utilisez pas la machine dans des lieux où de tels matériaux pourraient être présents.
- N'utilisez pas avec un cordon ou une fiche endommagés. Débranchez le cordon avant de nettoyer ou d'entretenir la machine.
- N'utilisez pas à l'extérieur. N'exposez pas à la pluie. Entrez la machine à l'intérieur.

⚠ ADVERTENCIA

PARA REDUCIR EL RIESGO DE INCENDIOS, EXPLOSIÓN, CHOQUE ELÉCTRICO O LESIONES:

- Lea el manual antes de utilizar la máquina.
- Conecte el cable solo a un tomacorrientes con correcta conexión a tierra.
- Use solamente los detergentes para uso en máquinas.
- No use solventes de limpieza inflamables con la máquina.
- No manipule materiales inflamables o combustibles ni use la máquina en áreas donde podría haber este tipo de materiales.
- No use la máquina si el cable o el interruptor está dañado. Desconecte el cable antes de limpiar la máquina o hacer tareas de mantenimiento.
- No use la máquina al aire libre. No la exponga a la lluvia. Guárdela en un lugar cerrado.

1072967

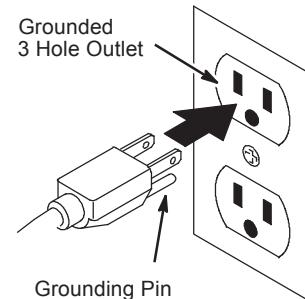


GROUNDING INSTRUCTIONS

This machine must be grounded. If it should malfunction or breakdown, grounding provides a path of least resistance for electrical current to reduce the risk of electrical shock. This machine is equipped with a cord having an equipment-grounding conductor and grounding plug. The plug must be inserted into an appropriate outlet that is properly installed and grounded in accordance with all local codes and ordinances.

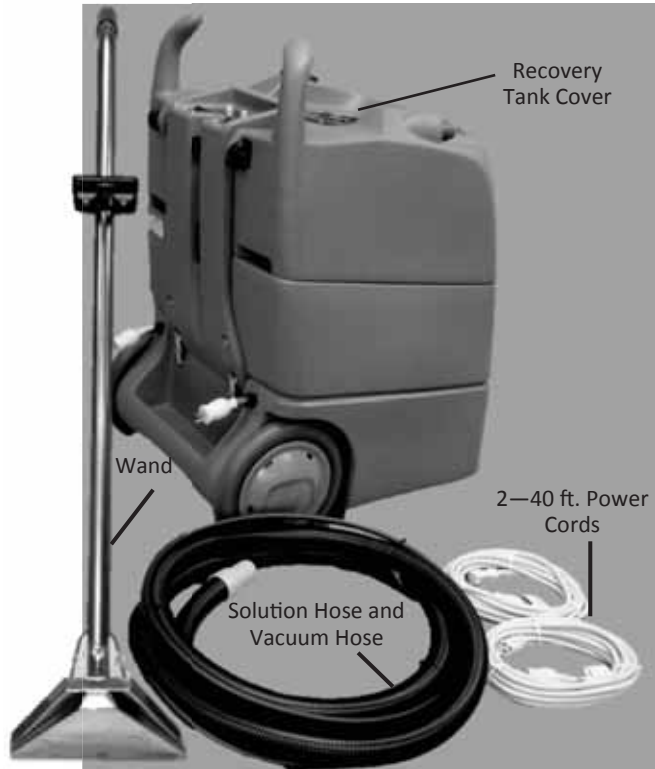
⚠ WARNING - Improper connections of the equipment-grounding conductor can result in a risk of electric shock. Check with a qualified electrician or service person if you are in doubt as to whether the outlet is properly grounded. Do not modify the plug provided with the machine. If it will not fit the outlet, have a proper outlet installed by a qualified electrician.

This machine is for use on a nominal 120 volt circuit and has a grounding attachment plug that looks like the plug illustrated below. Make sure that the machine is connected to an outlet having the same configuration as the plug.

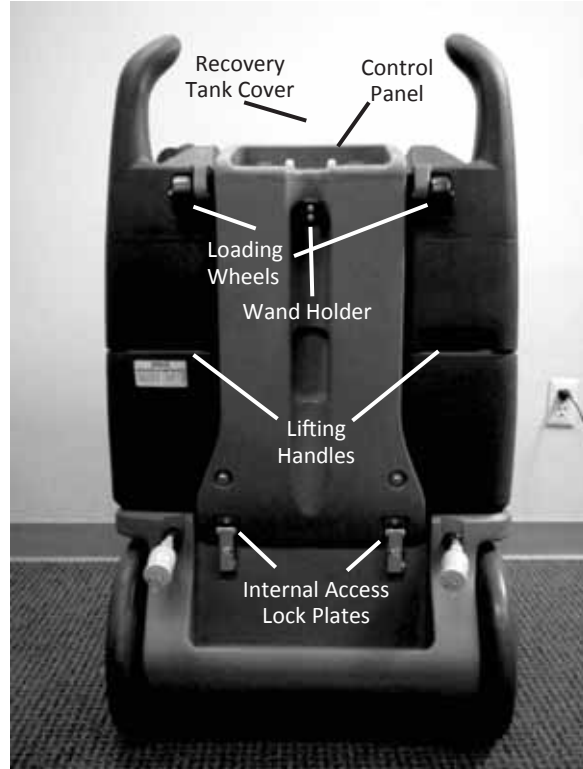


MACHINE COMPONENTS:

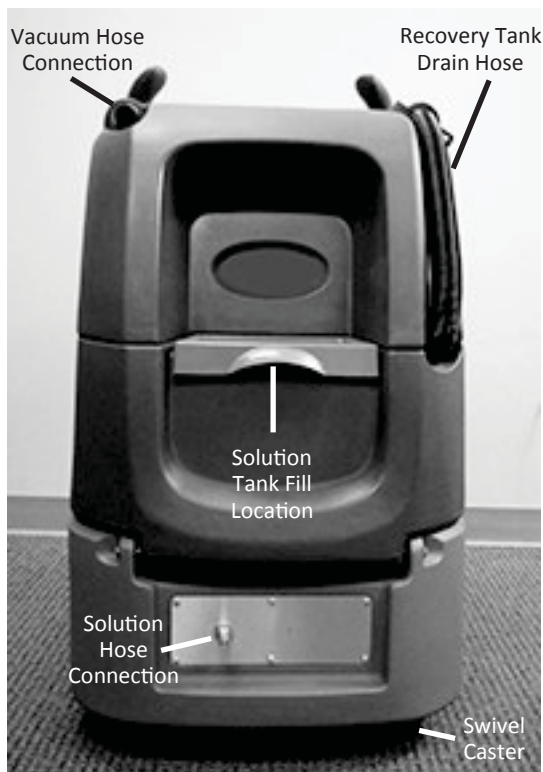
MACHINE AND ACCESSORIES



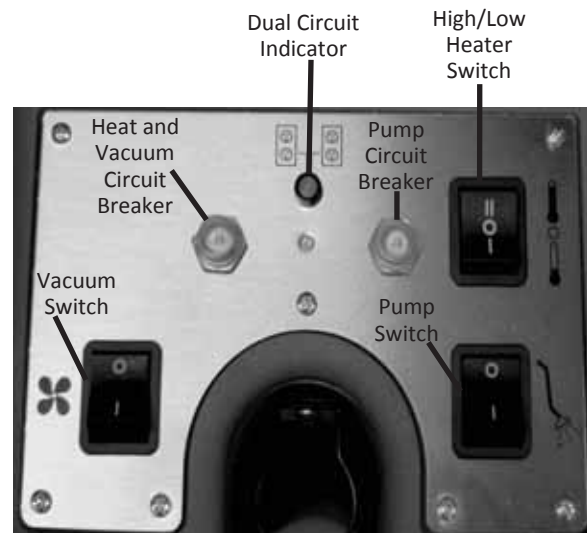
REAR VIEW



FRONT VIEW

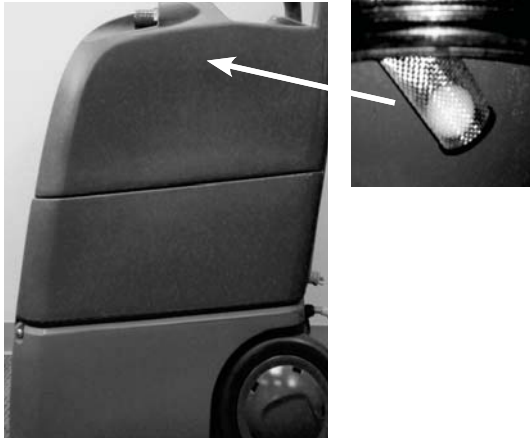


CONTROL PANEL COMPONENTS



MACHINE SETUP

1. Before each use, inspect the machine, hoses, and wand for cleanliness and completeness. Ensure the spray tips on the wand are tight and that the ball float screen in the recovery tank is clean and operational.



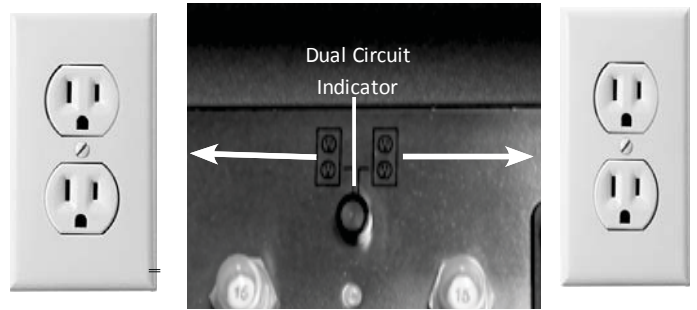
2. Close and tighten the recovery tank cover and screw the cap onto the drain hose.
3. Fill the solution tank with 15 gallons/57 liters of clean water, by using a garden hose or bucket (maximum temperature 120°F/49°C).

NOTE: The heater in this machine is designed to instantly increase the water temperature to spray tips. To increase heater efficiency always fill solution tank with warm water. Never fill solution tank with warm water above 120 °F /49 °C.



NOTE: For optimum cleaning performance, it is recommended to pre-spray carpets with an approved cleaning detergent with the use of a pump-up sprayer instead of adding detergent in machine. If you choose to use cleaning detergent in machine follow proper mixing and handling instructions on detergent bottle. It's advised to flush solution system with clean water after each use to prevent detergent buildup. The use of powdered detergents with machine is discouraged.

4. Turn off all the switches. Plug the two power cords into properly grounded outlets. Do not connect both cords into the same circuit. Dual Circuit Indicator will illuminate bright green when power cords are plugged into different circuits. Machine is ready for operation.



Circuit 1

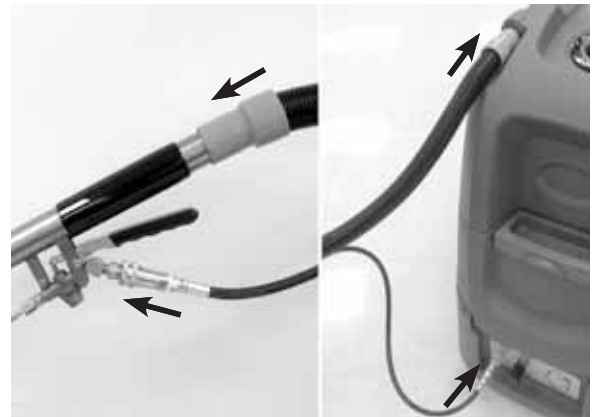
Circuit 2

CONNECT WAND TO MACHINE

With switches turned off connect the solution hose and the vacuum hose to the machine and to the wand. Only use accessory tools supplied with machine or offered by Tennant. The use of improper accessory tools may cause injury.



WARNING: Do not attempt to connect solution hose to machine with pump and/or heater switch turned on.

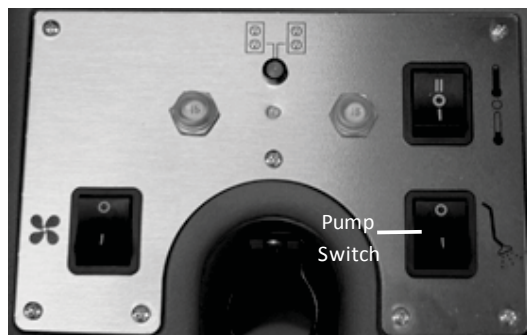


TO PRIME MACHINE

1. Place the wand in a bucket or tub.



- Turn the pump on from the control panel. Press the lever on the wand and spray until there is no air coming out with the water. This takes approximately 2-3 minutes. Turn the pump off.



MACHINE OPERATION



Read all instructions before using this machine.

PRE-SPRAY CARPET

With the use of a pump-up sprayer, pre-spray the carpet with an approved cleaning detergent. Only use commercially available floor cleaners intended for machine application. Follow proper mixing and handling instructions on detergent bottle.

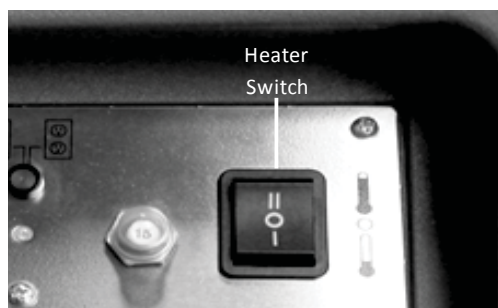


WARNING: Do not use flammable cleaning solvents with machine. Do not pick up flammable or combustible material or work in areas where they may be present.

SET TEMPERATURE

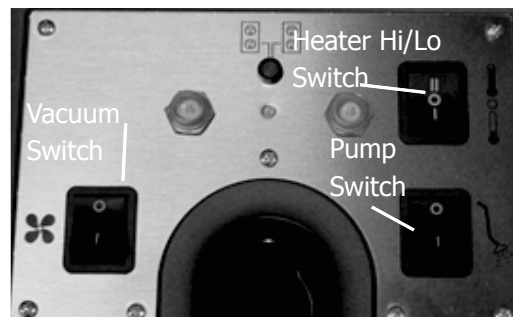
Select the high heat II or low heat I position on the heater switch on the control panel. Wait two minutes for the heater to reach operating temperature.

Note: The heater holds a small amount of water. To maintain maximum temperature for the entire cleaning job, spray for short periods and then stop spraying during a recovery stroke. Continuous spraying will prevent the water from reaching maximum water temperature.



CARPET CLEANING WITH WAND

- Follow site safety guidelines concerning wet floors.
- Verify the vacuum hose and solution hose are securely connected to the machine and wand.
- Turn on the pump, vacuum, and heater switches.



- For optimum cleaning results it is suggested to use a V stroke pattern as shown. Start with an area approximately 4' x 4'. On the back stroke pull the trigger on the wand for the solution to spray.



CAUTION: When handling wand avoid contact with hose coupler, valve and metal solution line. This area could create a burn hazard. Wear protection gloves as needed.

- Let up on the trigger about 4 inches before the end of the stroke for maximum water recovery.
- Push the wand forward at a slight angle until next stroke is slightly overlapping previous stroke.
- Go over area just cleaned with vacuum only stroke before moving to the next area.

NOTE: Use defoamer any time foaming occurs in the recovery tank to prevent damage to the motor or other components.

- Monitor the water level in the solution tank. If solution tank runs dry, the pump must be reprimed.
- When the solution tank is low, turn off all the switches, empty the recovery tank and then fill the solution tank.

NOTE: When the recovery tank is full, the ball float screen will shut-off the suction to prevent the machine from overflowing. The ball float screen may not work if there is too much foam in the tank. Always use defoamer to prevent overflow.

10. When finished with the job, shut off all switches. Before disconnecting solution hose relieve the water pressure from the wand by holding the lever on the wand.

CAUTION: When disconnecting solution hose coupler wear protective gloves to avoid burn hazard.

DRAINING TANKS

DRAINING SOLUTION TANK

When finished with the job, suction out any unused solution from the solution tank. Place the end of the vacuum hose that was attached to the wand into the solution tank and turn the vacuum switch on.



DRAINING RECOVERY TANK

1. Turn off all switches.
2. Drain the recovery tank by holding the end of the drain hose with the cap above the machine. Remove the cap on the drain hose. Lower the drain hose over a drain or a bucket to drain the recovery tank.



MACHINE MAINTENANCE

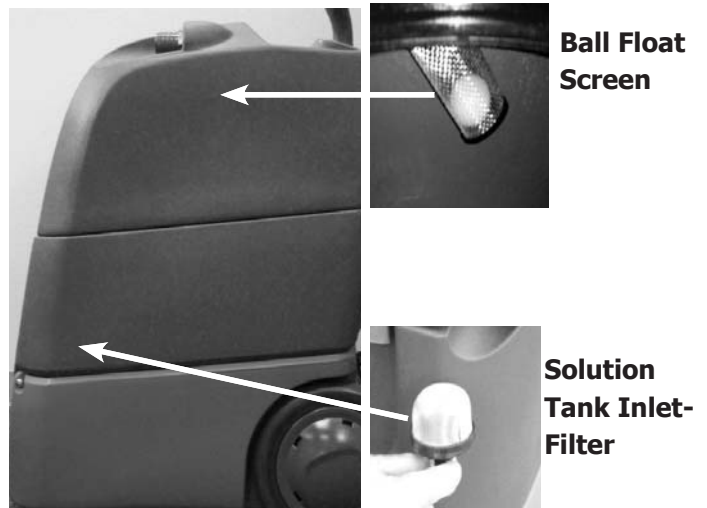
To keep machine in good working condition, simply follow machine maintenance procedures.



FOR SAFETY: When servicing machine, unplug cords from wall outlets. Wear appropriate personal protection equipment as needed.

AFTER EACH USE

1. If chemicals are used in solution tank flush system with clean water by running the machine using clean water at the end of each job.
2. Drain and rinse out recovery tank.
3. Remove any lint from the ball float screen in the recovery tank and any debris from the solution tank inlet filter. Be sure to replace ball float screen and solution tank inlet filter securely.



4. Wipe down the machine with a damp cloth. Do not hose off or power spray machine.
5. Inspect solution hose and vacuum hose for cracks or damage. Do not use hose if damaged.
6. Store extractor with tank covers off to promote air circulation.
7. Inspect electrical cord ends on the machine and the power cords used with the machine for damage. Replace power cords if damaged and contact service center or a qualified service person if cord ends on machine are damaged.
8. Coil power cords neatly after each use and store on machine.

AFTER 80 HOURS OF USE

Flush solution lines, pump and heater with a descaling solution (such as white vinegar) to remove mineral accumulation which may have formed from the use of hard water. Remove spray tips from wand and soak in a descaling solution. Re-attach wand and hose to machine. Pour solution into solution tank and run solution through system by turning on pump and activating wand. Do not recycle solution as it will carry small mineral deposits. After running solution through system flush with clean water and reinstall spray tips.

SERVICING MACHINE

All repairs must be performed by a qualified service technician.

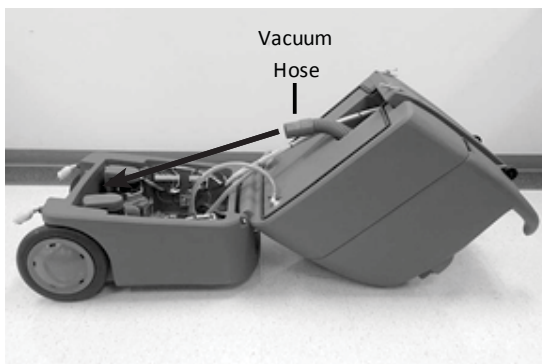


FOR SAFETY: When servicing machine, unplug cords from wall outlets. Wear appropriate personal protection equipment as needed.



WARNING: Use caution when servicing machine, components may be hot.

The machine is designed to hinge open for ease of servicing. To access the internal components, remove the two lock plates at back of machine and carefully hinge open machine. Empty tanks before opening machine. Reconnect the vacuum hose when closing machine. Replace lock plates.



STORING MACHINE

1. Remove all water from solution tank by using the hose from the machine to vacuum water into the recovery tank.
2. Drain and rinse out recovery tank.
3. Attach solution hose to machine and wand. Turn on pump and hold lever on wand to run pump dry. Turn off pump.
4. Disconnect power cords from machine. Neatly coil the power cords and store on machine.
5. Store extractor with tank covers off to promote air circulation.
6. Store machine in dry area.



WARNING: Do not expose to rain. Store indoors only.

ATTENTION: If storing machine in freezing temperatures be sure that machine solution system and pump are completely drained and dry.

LOADING MACHINE

Load machine with assistance by utilizing the 2 top loading wheels as shown. Secure machine with tie down straps. Empty solution tank and recovery tank before loading machine.



MACHINE SPECIFICATIONS

MODEL	NOBLES EXPLORER H2
Length	32.5 in/ 826 mm
Width	25.25 in/ 641 mm
Height	41.5 in/ 1054 mm
Weight	100 lbs/ 46 kg
Solution Tank Capacity	15 Gallon/ 56.78 L
Recovery Tank Capacity	13.5 Gallon/ 51.1 L
Voltage	120 AC/ 60HZ
Total Power Consumption	26.5A Nominal
Vacuum Motor	120V, .685HP/ .504Kw, 3-stage, 13.2A
Water Lift - Air Flow	137 in/ 3479 mm, 107cfm
Heater	120V, 14A, 1750 W, 140°F/60°C low temperature, 200°F/93°C max temperature
Solution Pump	115V, 1.6A, 0.8gpm/ 3.03 l/min, 220 PSI/15.16 bar
Cord Length	2 - 12/3, 40ft/ 12 m
Sound Pressure Level*	75 dBA

*Sound levels (ISO 11203) as recommended by the American Association of Cleaning Equipment Manufacturers *(AACEM) and OSHA. Specifications are subject to change without notice.

MACHINE DIMENSIONS



TROUBLESHOOTING



**UNPLUG POWER CORDS BEFORE
SERVICING MACHINE.**

PROBLEM	POSSIBLE CAUSE	SOLUTION
Low pump pressure	Plugged or dirty solution tank inlet filter	Clean solution tank inlet filter
	Faulty Pump	Contact a qualified service technician
No spray	Solution tank is empty	Fill solution tank
	Solution hose is not properly connected	Secure solution hose connection
	Spray tip is plugged	Clean or replace spray tip
	Pump motor is not running	Verify machine is plugged in and turned on
	Plugged/dirty pump solution tank inlet filter	Unplug solution tank inlet filter
	Damaged solution hose	Replace solution hose
Pump not running	No power to pump -- no power to cord	Test the switch, test the pump motor, verify power cords are plugged in properly
	Circuit Breaker tripped	Reset circuit breaker on control panel
	Faulty Pump	Contact a qualified service technician
Low suction	Recovery tank cover is loose or drain hose cap is loose	Close recovery tank cover and secure drain hose cap
	Damaged vacuum gasket	Contact a qualified service technician
	Dirty ball float screen	Clean ball float screen
	Vacuum hose connection loose or damaged vacuum hose	Check vacuum hose or replace vacuum hose
No suction	Recovery tank is full	Empty recovery tank
	Circuit Breaker tripped	Reset circuit breaker on control panel
	Faulty vacuum motor	Contact a qualified service technician
Low heat	Spraying too long	Shorten spray times by shortening cleaning strokes
No heat	Circuit Breaker tripped	Reset circuit breaker on control panel
	Faulty heater	Contact a qualified service technician
No power	No power to machine	Check building circuit breakers, make sure plugs are on 2 different outlet circuits

INTRODUCCIÓN

Este manual se entrega con cada modelo nuevo. Brinda las instrucciones de operación y mantenimiento necesarias e información sobre repuestos.



Lea todas las instrucciones antes de utilizar la máquina.

USO PREVISTO

El extractor Nobles está diseñado para uso comercial, por ejemplo, en hoteles, escuelas, hospitales, comercios, oficinas y empresas de alquiler. Está diseñado para la limpieza de alfombras en ambientes internos y no es apto para ningún otro uso. Utilice solamente los limpiadores de piso disponibles en el mercado y los accesorios recomendados para uso en máquinas. Utilice la máquina solo del modo que se indica en este manual.

INFORMACIÓN GENERAL

Esta máquina le brindará un servicio excelente. Sin embargo, se obtienen los mejores resultados al menor costo si:

- la máquina se opera con el cuidado razonable;
- se realizan tareas de mantenimiento periódico en la máquina, según las instrucciones de mantenimiento provistas;
- se realizan tareas de mantenimiento en la máquina con piezas provistas por el fabricante o equivalentes.

Para ver, imprimir o descargar manuales en línea, visite www.tennantco.com

DESEMPAQUE DE LA MÁQUINA

Verifique cuidadosamente que la máquina no esté dañada. Informe de inmediato al distribuidor si la máquina presenta algún daño. Verifique el contenido de la máquina para asegurarse de que incluya todas las partes y los accesorios. En caso de que haya faltantes, comuníquese con el distribuidor o con Tennant.



PROTEJA EL MEDIO AMBIENTE

Deseche los materiales de embalaje y los componentes usados de la máquina de manera segura para el medio ambiente, según las normas de desecho de residuos locales. Siempre acuérdesese de reciclar.



Tennant Company

P.O. Box 1452

Minneapolis, MN 55440

Teléfono: (800) 553-8033 o (763) 513-2850

www.nobles.com

Las especificaciones y las piezas están sujetas a modificaciones sin previo aviso.

Instrucciones originales. Copyright ©2013 Tennant Company
Todos los derechos reservados. Impreso en EE. UU.

DATOS DE LA MÁQUINA

Complételos al momento de la instalación para que sirvan de referencia en el futuro.

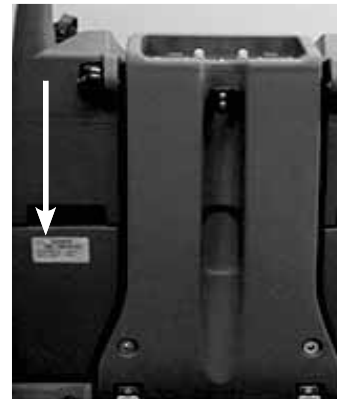
N.º de modelo: _____

N.º de serie: _____

Fecha de instalación: _____

IMPORTANTE: A fin de asegurarse la protección con garantía completa, complete la FICHA DE RESPUESTA AL INFORME DE GARANTÍA O INSTALACIÓN DE LA MÁQUINA adjunta y envíela a Tennant dentro de un plazo de 30 días a partir de la fecha de compra.

N.º DE SERIE DE LA MÁQUINA UBICACIÓN DE LA ETIQUETA



ÍNDICE

INSTRUCCIONES IMPORTANTES DE SEGURIDAD	13
ETIQUETA DE SEGURIDAD	14
INSTRUCCIONES DE CONEXIÓN A TIERRA	14
COMPONENTES DE LA MÁQUINA	15
INSTALACIÓN DE LA MÁQUINA	16
OPERACIÓN DE LA MÁQUINA	17
TANQUES DE DRENAJE	18
MANTENIMIENTO DE LA MÁQUINA	18
ASISTENCIA TÉCNICA DE LA MÁQUINA	19
ALMACENAMIENTO DE LA MÁQUINA	19
CARGA DE LA MÁQUINA	19
ESPECIFICACIONES DE LA MÁQUINA	20
RESOLUCIÓN DE PROBLEMAS	21
LISTA DE PIEZAS	32-43
DIAGRAMA ELÉCTRICO	44

INSTRUCCIONES IMPORTANTES DE SEGURIDAD

Cuando utilice un artefacto eléctrico, siempre siga las precauciones básicas, que incluyen lo siguiente:



LEA TODAS LAS INSTRUCCIONES ANTES DE UTILIZAR LA MÁQUINA



ADVERTENCIA: Para reducir el riesgo de incendios, explosión, choque eléctrico o lesiones:

1. No deje el artefacto enchufado si no lo utiliza. Desconecte el cable del toma corriente cuando no utilice la máquina o cuando se realicen tareas de mantenimiento.
2. No use la máquina al aire libre. Esta máquina está diseñada únicamente para su uso en interiores.
3. No permita que la máquina se use como un juguete. Preste mucha atención cuando la utilice cerca de niños.
4. Utilice la máquina solo como se describe en este manual. Utilice únicamente los accesorios recomendados por el fabricante.
5. Los operadores deben recibir instrucciones adecuadas sobre el uso de la máquina.
6. Esta máquina no está diseñada para el uso por parte de personas, y niños, con discapacidades físicas, sensoriales o mentales, o bien falta de experiencia y conocimientos.
7. Siga las instrucciones de seguridad del sitio sobre pisos húmedos.
8. Use calzado antideslizante cuando utilice la máquina.
9. No use la máquina si el cable o el conector está dañado. Si el artefacto no funciona como debería, se cayó, está dañado, quedó al aire libre o se sumergió en agua, envíelo a un centro de asistencia técnica para su reparación.
10. No empuje ni tire del cable, no use el cable como agarradera, no cierre ninguna puerta sobre el cable ni pase el cable por bordes o esquinas filosas. No pase la máquina en funcionamiento sobre el cable. Mantenga el cable lejos de superficies calientes.
11. No tire del cable para desconectarlo. Para desconectarlo, tome el conector, no el cable.
12. No manipule el conector o el artefacto con las manos húmedas.
13. No obstruya las aperturas con objetos. No utilice la máquina si las aperturas están bloqueadas. Controle que no tenga polvo, pelusas, pelos o cualquier otra partícula que pueda reducir el flujo de aire.
14. No utilice la máquina si la pantalla del flotador de bola no está en su lugar.
15. Evite el contacto de las aperturas y las partes móviles con el pelo, la ropa holgada, los dedos y otras partes del cuerpo.
16. Apague todos los controles antes de desconectar la máquina.
17. No use solventes de limpieza inflamables con la máquina.
18. No agregue agua que supere los 120 °F/49 °C al tanque de solución.
19. No manipule materiales inflamables o combustibles, como la gasolina, ni use la máquina en áreas donde podría haber este tipo de materiales.
20. No manipule ningún tipo de polvo dañino o materiales tóxicos.
21. No levante elementos calientes o con humo, tales como cigarrillos, fósforos o cenizas.
22. No coloque el rociador en dirección a su propio cuerpo ni a otras personas.
23. No utilice la máquina para la aspiración en seco antes de la limpieza en mojado.
24. No ponga la máquina en funcionamiento en agua estancada.
25. Desconecte inmediatamente el cable de alimentación del toma corriente si la máquina presenta derrame de solución o de espuma o si la máquina se vuelca mientras está en funcionamiento.
26. Alivie la presión de agua en la esprea antes de desconectar la manguera de solución.
27. Siempre coloque la máquina sobre una superficie plana.
28. Tenga mucho cuidado cuando realice la limpieza en escaleras. No suba o baje escaleras con las ruedas de la máquina en funcionamiento.
29. Conecte el cable únicamente a un toma corriente con la conexión a tierra correcta.
30. El cable de extensión debe ser calibre 12/3 y su longitud no debe superar los 40 pies. Reemplace el cable si el conector a tierra está dañado.
31. No utilice cables de extensión adicionales con la máquina.
32. No utilice la máquina si no se encuentra en las condiciones apropiadas para su uso.
33. No modifique el diseño original de la máquina.
34. Pida ayuda para levantar la máquina.
35. Una persona de servicio calificada debe realizar todas las reparaciones. Use únicamente las piezas de repuesto provistas por el fabricante o equivalentes.
36. No exponga la máquina a la lluvia o a la humedad. Guárdela en un lugar cerrado. No la exponga a temperaturas muy bajas.
37. Utilice equipos de protección personal según sea necesario.

CONSERVE ESTAS INSTRUCCIONES

ETIQUETA DE SEGURIDAD

La etiqueta de seguridad aparece en la máquina en el lugar indicado. Debe reemplazar la etiqueta si se ha dañado o si se ha vuelto ilegible.

ETIQUETA DE SEGURIDAD: ubicación en la parte trasera.

⚠ WARNING

TO REDUCE THE RISK OF FIRE, EXPLOSION, ELECTRICAL SHOCK, OR INJURY:

- Read manual before operating machine.
- Connect cord to a properly grounded outlet only.
- Use only commercially available floor cleaners intended for machine application.
- Do not use flammable cleaning solvents with machine.
- Do not pick up flammable or combustible materials or use in areas where they may be present.
- Do not use with damaged cord or plug. Unplug cord before cleaning or servicing machine.
- Do not use outdoors. Do not expose to rain. Store indoors.

⚠ AVERTISSEMENT

POUR RÉDUIRE LE RISQUE D'INCENDIE, D'EXPLOSION, DE CHOC ÉLECTRIQUE OU DE BLESSURE :

- Lisez le manuel avant de faire fonctionner la machine.
- Branchez le cordon uniquement sur une prise correctement mise à la terre.
- Utilisez uniquement des nettoyeurs de plancher disponibles dans le commerce et destinés aux applications de la machine.
- N'utilisez pas de solvants de nettoyage inflammables avec la machine.
- Ne ramassez pas de matériaux inflammables ou combustibles ou n'utilisez pas la machine dans des lieux où de tels matériaux pourraient être présents.
- N'utilisez pas avec un cordon ou une fiche endommagés. Débranchez le cordon avant de nettoyer ou d'entretenir la machine.
- N'utilisez pas à l'extérieur. N'exposez pas à la pluie. Entrez la machine à l'intérieur.

⚠ ADVERTENCIA

PARA REDUCIR EL RIESGO DE INCENDIOS, EXPLOSIÓN, CHOQUE ELÉCTRICO O LESIONES:

- Lea el manual antes de utilizar la máquina.
- Conecte el cable solo a un tomacorrientes con correcta conexión a tierra.
- Use solamente los detergentes para uso en máquinas.
- No use solventes de limpieza inflamables con la máquina.
- No manipule materiales inflamables o combustibles ni use la máquina en áreas donde podría haber este tipo de materiales.
- No use la máquina si el cable o el interruptor está dañado. Desconecte el cable antes de limpiar la máquina o hacer tareas de mantenimiento.
- No use la máquina al aire libre. No la exponga a la lluvia. Guárdela en un lugar cerrado.

1072967



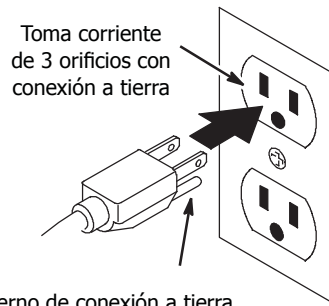
INSTRUCCIONES PARA LA CONEXIÓN A TIERRA

La máquina debe estar conectada a tierra. Si presenta alguna falla o avería, la conexión a tierra brinda un camino de menor resistencia para la corriente eléctrica, y de esta forma se reduce el riesgo de choque eléctrico. La máquina está equipada con un cable que tiene un conductor de puesta a tierra de equipos y un enchufe de conexión a tierra. El enchufe debe colocarse en un toma corriente adecuado que esté instalado correctamente con conexión a tierra y en cumplimiento de todos los códigos y regulaciones locales.



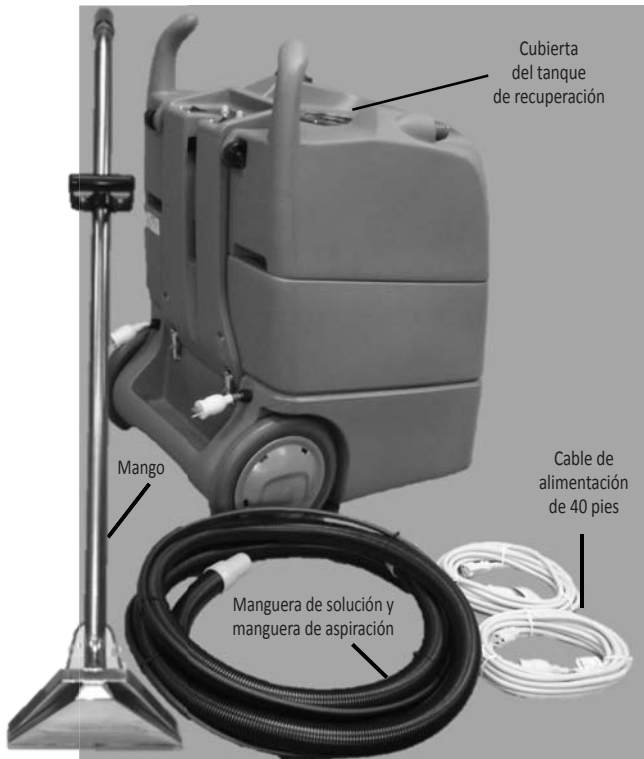
ADVERTENCIA: Si no se conecta correctamente el conductor de puesta a tierra de equipos, se puede presentar el riesgo de choque eléctrico. Consulte a un electricista o persona de servicio calificados si tiene dudas sobre la conexión a tierra correcta del toma corriente. No modifique el enchufe que viene con la máquina. Si este no entra en el toma corriente, solicite que un electricista calificado instale un toma corriente adecuado.

Esta máquina está diseñada para su uso en un circuito de 120 voltios nominales y cuenta con un enchufe de conexión a tierra similar al de la siguiente ilustración. Asegúrese de conectar la máquina a un toma corriente con la misma configuración del enchufe.

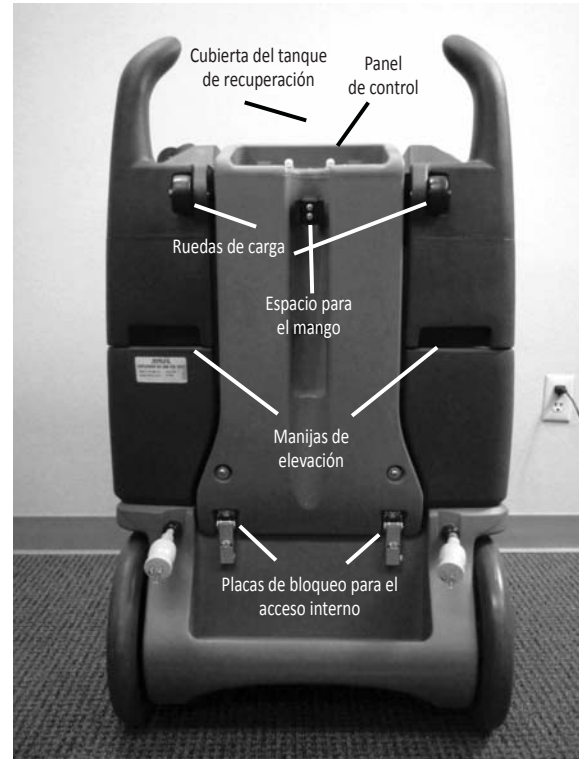


COMPONENTES DE LA MÁQUINA:

MÁQUINA Y ACCESORIOS



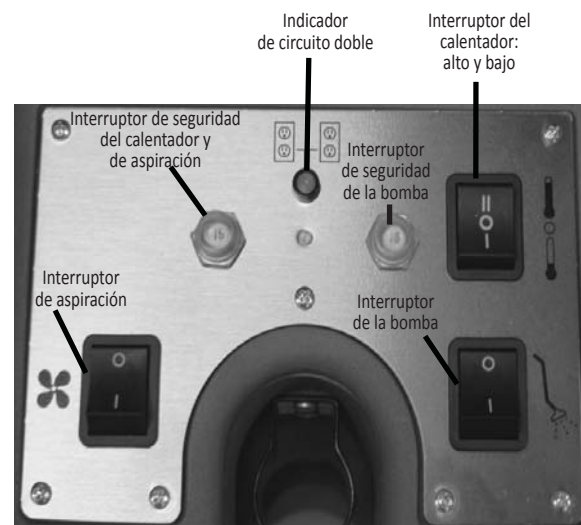
VISTA TRASERA



VISTA FRONTAL



COMPONENTES DEL PANEL DE CONTROL



INSTALACIÓN DE LA MÁQUINA

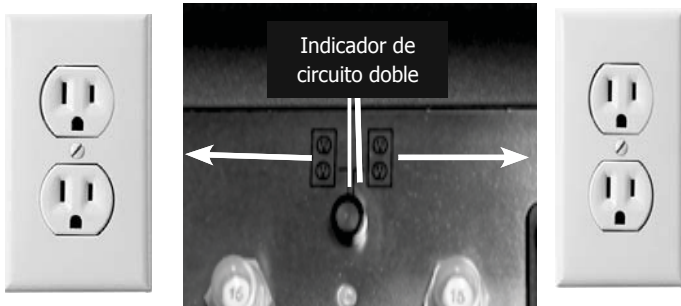
1. Antes de cada uso, revise la máquina, las mangueras y los mangos para detectar que estén limpios y que no haya faltantes. Asegúrese de que las espreas en el mango estén ajustadas y de que la pantalla del flotador de bola en el tanque de recuperación esté limpia y en funcionamiento.
2. Cierre y ajuste la cubierta del tanque de recuperación y ajuste la tapa a la manguera de drenaje.
3. Llene el tanque de solución con 15 galones/57 litros de agua limpia con un manguera de jardín o cubo (con una temperatura máxima de 120 °F/49 °C).

NOTA: El calentador de esta máquina está diseñado para aumentar instantáneamente la temperatura del agua que se dirige a las espreas. Para aumentar la eficacia del calentador, llene siempre el tanque de solución con agua tibia. Nunca llene el tanque de solución con agua tibia que supere los 120 °F /49 °C.



NOTA: Para obtener un máximo rendimiento de limpieza, se recomienda rociar previamente las alfombras con un detergente de limpieza aprobado por medio de un rociador de bombeo en lugar de agregar detergente a la máquina. Si prefiere utilizar detergente de limpieza en la máquina, siga las instrucciones de mezclado y manipulación que figuran en el envase del detergente. Se aconseja enjuagar el sistema de solución con agua limpia después de cada uso a fin de evitar la acumulación de detergente. No se aconseja el uso de detergentes en polvo con la máquina.

4. Desconecte todos los interruptores. Conecte los dos cables de alimentación en los toma corrientes con una conexión a tierra correcta. No conecte los dos cables en el mismo circuito. El indicador de circuito doble encenderá una luz verde cuando los cables de alimentación estén conectados a distintos circuitos. La máquina está lista para funcionar.



Circuito 1

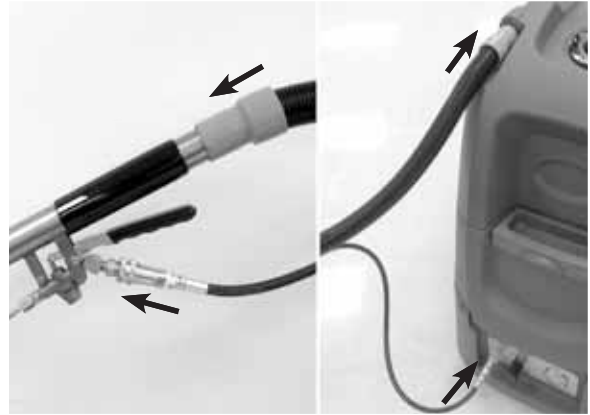
Circuito 2

CONECTE EL MANGO A LA MÁQUINA

Con los interruptores desconectados, conecte la manguera de solución y la manguera de aspiración a la máquina y al mango. Use solamente los accesorios provistos con la máquina o aprobados por Tennant. El uso de accesorios inadecuados puede causar lesiones.

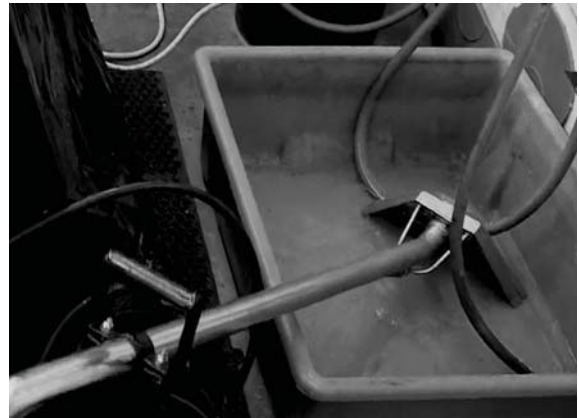


ADVERTENCIA: No intente conectar la manguera de solución a la máquina con la bomba o el calentador encendidos.



CEBADO DE LA MÁQUINA

1. Coloque el mango en un cubo o tina.



2. Encienda la bomba desde el panel de control. Presione la palanca en el mango y comience a rociar hasta que no haya salida de aire con el agua. Esto puede demorar entre 2 y 3 minutos aproximadamente. Apague la bomba.



OPERACIÓN DE LA MÁQUINA



Lea todas las instrucciones antes de utilizar la máquina.

ROCIADO PREVIO DE LA ALFOMBRA

Con el uso de un rociador de bombeo, rocíe previamente la alfombra con un detergente de limpieza aprobado. Utilice solamente detergentes disponibles en el mercado para uso en máquinas. Siga las instrucciones de mezclado y manipulación que figuran en el envase de detergente.



ADVERTENCIA: No utilice solventes de limpieza inflamables con la máquina. No manipule materiales inflamables o combustibles ni use la máquina en áreas donde podría haber este tipo de materiales.

CONFIGURE LA TEMPERATURA

Seleccione la posición de temperatura alta II o de temperatura baja I en el interruptor del calentador del panel de control. Espere dos minutos para que el calentador alcance la temperatura de operación.

Nota: El calentador tiene capacidad para una pequeña cantidad de agua. Para mantener la temperatura máxima durante toda la tarea de limpieza, realice pasadas cortas de rociado y luego detenga el rociado durante una pasada de recuperación. El rociado continuo evitará que se alcance la temperatura máxima del agua.



LIMPIEZA DE ALFOMBRAS CON MANGO

1. Siga las instrucciones de seguridad del sitio sobre pisos húmedos.
2. Verifique que la manguera de aspiración y la manguera de solución estén conectadas con seguridad a la máquina y al mango.
3. Encienda los interruptores de la bomba, la aspiradora y el calentador.
4. Para obtener resultados de limpieza óptimos, se recomienda utilizar un patrón de pasada en forma de V. Comience con un área de 4 pies x 4 pies aproximadamente. En la pasada de regreso, levante el gatillo en el mango para activar el rociado de la solución.



PRECAUCIÓN: Cuando tome el mango, evite el contacto con el conector de la manguera, la válvula y la línea de solución metálica. Esta área podría implicar un riesgo de quemaduras. Use guantes protectores cuando sea necesario.

5. Suelte el gatillo aproximadamente 4 pulgadas antes del final de la pasada para obtener una recuperación máxima del agua.
6. Presione el mango hacia adelante con una leve inclinación hasta que la pasada siguiente se superponga levemente con la pasada anterior.
7. Recorra el área que limpió recién con pasadas de aspiradora únicamente antes de desplazarse a la próxima área.



NOTA: Utilice un elemento anti-espuma cuando se genere espuma en el tanque de recuperación para evitar daños en el motor o en otros componentes.

8. Controle el nivel del agua en el tanque de solución. Si el tanque de solución se seca, la bomba se debe volver a cebar.
9. Cuando el tanque de solución esté bajo, apague todos los interruptores, vacíe el tanque de recuperación y luego llene el tanque de solución.

NOTA: Cuando el tanque de recuperación esté lleno, la pantalla del flotador de bola apagará la succión para evitar el desbordamiento de la máquina. Es posible que la pantalla del flotador de bola no funcione si hay demasiada espuma en el tanque. Utilice siempre un elemento anti-espuma para evitar el desbordamiento.

10. Cuando termine el trabajo, apague todos los interruptores. Antes de desconectar la manguera de la solución, sostenga la palanca en el mango para aliviar la presión del agua del mango.



PRECAUCIÓN: Cuando desconecte el conector de la manguera de solución, use guantes protectores para evitar riesgos de quemaduras.

TANQUES DE DRENAJE

TANQUE DE SOLUCIÓN DE DRENAJE

Cuando termine su trabajo, extraiga del tanque toda la solución que no se utilizó mediante la succión. Coloque el extremo de la manguera de aspiración que estaba acoplada al mango en el tanque de solución y encienda el interruptor de la aspiradora.



TANQUE DE RECUPERACIÓN DE DRENAJE

1. Desconecte todos los interruptores.
2. Para drenar el tanque de recuperación, sostenga el extremo de la manguera de drenaje con la tapa colocada sobre la máquina. Quite la tapa de la manguera de drenaje. Coloque la manguera de drenaje hacia un drenaje o cubo para que drene el tanque de recuperación.



MANTENIMIENTO DE LA MÁQUINA

Para mantener la máquina en buenas condiciones de funcionamiento, simplemente siga los procedimientos de mantenimiento de la máquina.

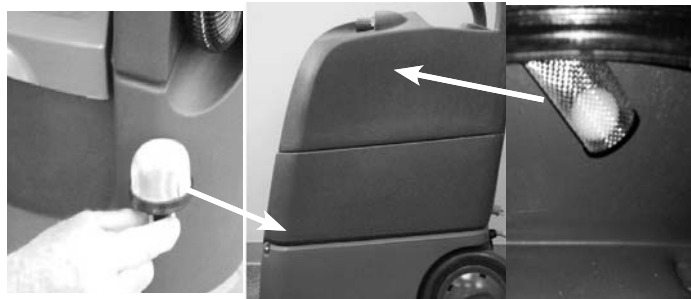


PARA MAYOR SEGURIDAD: Cuando realice tareas de mantenimiento de la máquina, desconecte los cables de los toma corrientes de la pared. Utilice equipos de protección personal según sea necesario.

DESPUÉS DE CADA USO

1. Si se utilizan productos químicos en el tanque de solución, enjuague el sistema con agua limpia mediante el funcionamiento de la máquina con agua limpia al final de cada trabajo.
2. Drene y enjuague el tanque de recuperación.

3. Quite las pelusas de la pantalla del flotador de bola en el tanque de recuperación y los residuos del filtro de entrada del tanque de solución. Asegúrese de volver a colocar la pantalla del flotador de bola y el filtro de entrada del tanque de solución con seguridad.
4. Limpie la máquina con un paño húmedo. No use rociadores o mangueras para una limpieza rápida de la máquina.
5. Revise la manguera de solución y la manguera de aspiración para detectar que no estén agrietadas o dañadas. No utilice la manguera si está dañada.
6. Guarde el extractor sin las cubiertas del tanque para permitir la circulación de aire.
7. Revise los extremos del cable eléctrico de la máquina y los cables de alimentación utilizados con la máquina para verificar que no estén dañados. Reemplace los cables de alimentación si están dañados o comuníquese con el centro de asistencia técnica o con una persona de servicio calificada si los extremos del cable de la máquina están dañados.
8. Enrolle los cables de alimentación cuidadosamente después de cada uso y guárdelos con la máquina.



Filtro de entrada del tanque de solución

Pantalla del flotador de bola

DESPUÉS DE 80 HORAS DE USO

Enjuague las líneas de solución, la bomba y el calentador con una solución desincrustante (como el vinagre blanco) para eliminar la acumulación de minerales que se puede formar por el uso de agua dura. Quite las espumas del mango y sumérgalas en una solución desincrustante. Vuelva a colocar el mango y la manguera en la máquina. Vierta la solución en el tanque de solución. Para dejar que la solución circule a través del sistema, encienda la bomba y active el mango. No recicle la solución ya que puede contener pequeños depósitos minerales. Después de que la solución circule a través del sistema, enjuáguelo con agua limpia y vuelva a instalar las espumas.

ASISTENCIA TÉCNICA DE LA MÁQUINA

Un técnico de servicio calificado debe realizar todas las reparaciones.

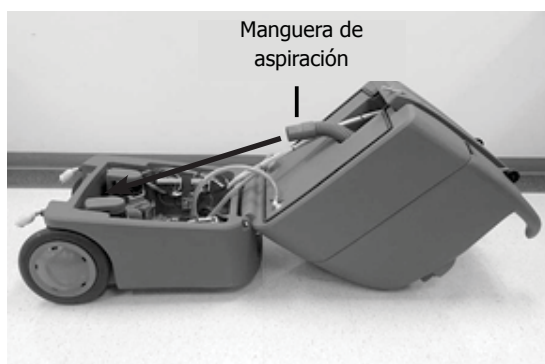


PARA MAYOR SEGURIDAD: Cuando realice tareas de mantenimiento de la máquina, desconecte los cables de los toma corrientes de la pared. Utilice equipos de protección personal según sea necesario.



ADVERTENCIA: Tenga cuidado cuando realice tareas de mantenimiento en la máquina, es posible que los componentes estén calientes.

La máquina está diseñada para que se abra con bisagras a fin de facilitar la realización de tareas de mantenimiento. Para acceder a los componentes internos, quite las dos placas de seguridad en la parte trasera de la máquina y abra cuidadosamente la máquina. Antes de abrirla, asegúrese de que los tanques estén vacíos. Asegúrese de volver a conectar la manguera de aspiración cuando cierre la máquina. Vuelva a colocar las placas de seguridad.



CARGA DE LA MÁQUINA

Cargue la máquina con ayuda de las dos ruedas de carga superiores, como muestra la figura. Asegure la máquina con correas de sujeción. La solución y los tanques de recuperación deben estar vacíos antes de cargar la máquina.



ALMACENAMIENTO DE LA MÁQUINA

1. Quite el agua del tanque de solución con el uso de la manguera de la máquina para aspirar el agua hacia el interior del tanque de recuperación.
2. Drene y enjuague el tanque de recuperación.
3. Acople la manguera de solución a la máquina y al mango. Encienda la bomba y sostenga la palanca en el mango para secar la bomba. Apague la bomba.
4. Desconecte los cables de alimentación de la máquina. Enrolle cuidadosamente los cables de alimentación y guárdelos con la máquina.
5. Guarde el extractor sin las cubiertas del tanque para permitir la circulación de aire.
6. Guarde la máquina en un ambiente seco.



ADVERTENCIA: No la exponga a la lluvia. Guárdela en un lugar cerrado.

ATENCIÓN: Si guarda la máquina en ambientes con temperaturas muy bajas, asegúrese de que el sistema de solución de la máquina y la bomba se hayan drenado completamente y estén secos.

ESPECIFICACIONES DE LA MÁQUINA

MODELO	NOBLES EXPLORER H2
Largo	32,5 pulg./826 mm
Ancho	25,25 pulg./641 mm
Altura	41,5 pulg./1.054 mm
Peso	100 libras/46 kg
Capacidad del tanque de solución	15 galones/56,78 l
Capacidad del tanque de recuperación	13,5 galones/51,1 l
Voltaje	120 CA/60 HZ
Consumo total de energía	26,5 A nominal
Motor de aspiración	120 V, 0,685 HP/0,504 Kw, de 3 etapas, 13,2 A
Elevación de agua, flujo de aire	137 pulg./3.479 mm, 107 cfm
Calentador	120 V, 14 A, 1750 W, baja temperatura de 140 °F/60 °C, temperatura máxima de 200 °F/93 °C
Bomba para solución	115 V, 1,6A, 0,8 gpm/3,03 l/min, 220 PSI/15,16 bar
Longitud del cable	2-12/3,40 pies/12 m
Nivel de presión de sonido*	75 dBA

*Niveles de ruido (según ISO 11203) en base a la recomendación de la American Association of Cleaning Equipment Manufacturers *(AACEM) y OSHA.

Las especificaciones están sujetas a modificaciones sin previo aviso.

DIMENSIONES DE LA MÁQUINA



RESOLUCIÓN DE PROBLEMAS

DESCONECTE LOS CABLES DE ALIMENTACIÓN DE LA MÁQUINA ANTES DE REALIZAR TAREAS DE MANTENIMIENTO.

PROBLEMA	POSIBLE CAUSA	SOLUCIÓN
Baja presión de la bomba	El filtro de entrada del tanque de solución está conectado o sucio	Limpie el filtro de entrada del tanque de solución
	El funcionamiento de la bomba presenta fallas	Comuníquese con el Centro de asistencia técnica
No hay rociador	El tanque de solución está vacío	Llene el tanque de solución
	La manguera de solución no está conectada adecuadamente	Asegure la conexión de la manguera de solución
	La esprea está obstruida	Limpie o reemplace la esprea
	El motor de la bomba no funciona	Verifique que la máquina esté conectada y encendida
	El filtro de entrada del tanque de solución está conectado o sucio	Desconecte el filtro de entrada del tanque de solución
	La manguera de solución está dañada	Reemplace la manguera de solución
La bomba no funciona	La bomba no recibe energía: el cable de alimentación no recibe energía	Pruebe el interruptor, pruebe el motor de la bomba y verifique que el cable de alimentación esté conectado adecuadamente
	El interruptor de seguridad se desconectó	Restablezca el interruptor de seguridad en el panel de control
	El funcionamiento de la bomba presenta fallas	Comuníquese con el Centro de asistencia técnica
Baja succión	La cubierta del tanque de recuperación está suelta o la tapa de la manguera de drenaje está suelta	Cierre la cubierta del tanque de recuperación y asegure la tapa de la manguera de drenaje
	La junta de la aspiradora está dañada	Comuníquese con el Centro de asistencia técnica
	La pantalla del flotador de bola está sucia	Limpie la pantalla del flotador de bola
	La conexión de la manguera de aspiración está suelta o la manguera de aspiración está dañada	Verifique o reemplace la manguera de aspiración
No hay succión	El tanque de recuperación está lleno	El tanque de recuperación está vacío
	El interruptor de seguridad se desconectó	Restablezca el interruptor de seguridad en el panel de control
	El motor de la aspiradora presenta fallas	Comuníquese con el Centro de asistencia técnica
Nivel de calor bajo	Rociado demasiado prolongado	Para reducir los tiempos de rociado, reduzca las pasadas de limpieza
No hay calor	El interruptor de seguridad se desconectó	Restablezca el interruptor de seguridad en el panel de control
	El calentador presenta fallas	Comuníquese con el Centro de asistencia técnica
No hay suministro de energía	La máquina no recibe energía	Verifique los interruptores de seguridad de las instalaciones y asegúrese de que los conectores estén en dos circuitos de toma corrientes distintos

INTRODUCTION

Ce manuel est fourni avec chaque nouveau modèle. Il contient les instructions de fonctionnement et d'entretien nécessaires ainsi que des informations relatives aux pièces de rechange.



Lisez toutes les instructions avant d'utiliser cette machine.

UTILISATION PRÉVUE

L'extracteur de Nobles est destiné à une utilisation commerciale, par exemple dans les hôtels, les établissements scolaires, les magasins, les bureaux et les entreprises de location. Il est conçu pour nettoyer les moquettes dans un environnement intérieur et ne convient pas à un quelconque autre usage. Utilisez uniquement des nettoyeurs pour plancher et des outils recommandés disponibles dans le commerce et destinés aux applications de la machine. Utilisez cette machine uniquement comme décrit dans ce manuel.

INFORMATIONS GÉNÉRALES

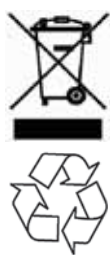
Cette machine procurera un excellent service. Toutefois, vous obtiendrez les meilleurs résultats à moindre coût si :

- La machine est utilisée avec un soin raisonnable.
- La machine est régulièrement entretenue, conformément aux instructions d'entretien fournies.
- Des pièces fournies par le fabricant ou des pièces équivalentes sont utilisées dans le cadre de l'entretien de la machine.

Pour consulter, imprimer ou télécharger les manuels en ligne, visitez le site www.tennantco.com.

DÉBALLAGE DE LA MACHINE

Vérifiez soigneusement que la machine n'est pas endommagée. Signalez immédiatement tout dommage au transporteur. Vérifiez le contenu de la machine pour vous assurer que toutes les pièces et tous les accessoires sont présents. Contactez le distributeur ou Tennant pour obtenir tout élément manquant.



PROTÉGEZ L'ENVIRONNEMENT

Veillez jeter l'emballage et les composants usagés de la machine de façon écologique, conformément aux réglementations locales sur l'élimination des déchets. Rappelez-vous de toujours recycler.

Tennant Company

PO Box 1452

Minneapolis, MN 55440

Téléphone : (800) 553-8033 ou (763) 513-2850

www.nobles.com

Les caractéristiques et les pièces peuvent être modifiées sans préavis.

Instructions d'origine. Copyright ©2013 Tennant Company
Tous droits réservés. Imprimé aux É.-U.

DONNÉES RELATIVES À LA MACHINE

À remplir au moment de l'installation à titre de référence.

N° du modèle - _____

N° de série - _____

Date d'installation - _____

IMPORTANT : Pour bénéficier d'une garantie complète, remplissez la CARTE-RÉPONSE CI-JOINTE RELATIVE À LA GARANTIE/L'INSTALLATION DE LA MACHINE et retournez-la à Tennant dans les 30 jours suivant l'achat.

EMPLACEMENT DE L'ÉTIQUETTE DU N° DE SÉRIE DE LA MACHINE

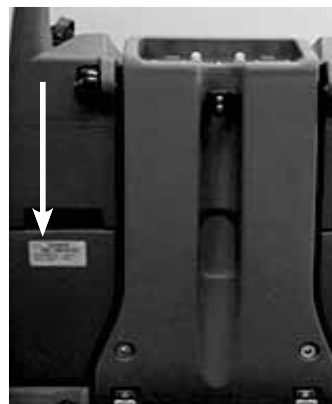


TABLE DES MATIÈRES

INSTRUCTIONS IMPORTANTES RELATIVES À LA SÉCURITÉ	23
ÉTIQUETTE DE SÉCURITÉ	24
INSTRUCTIONS DE MISE À LA TERRE	24
COMPOSANTS DE LA MACHINE	25
MISE EN SERVICE DE LA MACHINE	26
FONCTIONNEMENT DE LA MACHINE	27
VIDANGE DES RÉSERVOIRS	28
ENTRETIEN DE LA MACHINE	28
RÉPARATION DE LA MACHINE	29
ENTREPOSAGE DE LA MACHINE	29
CHARGEMENT DE LA MACHINE	29
CARACTÉRISTIQUES TECHNIQUES DE LA MACHINE	30
DÉPANNAGE	31
LISTE DES PIÈCES	32-43
SCHÉMA ÉLECTRIQUE	44

INSTRUCTIONS IMPORTANTES RELATIVES À LA SÉCURITÉ

Lors de l'utilisation d'un appareil électrique, des précautions de base doivent être observées, notamment les suivantes :



LISEZ TOUTES LES INSTRUCTIONS AVANT D'UTILISER CETTE MACHINE



AVERTISSEMENT – Pour réduire le risque d'incendie, d'explosion, de choc électrique ou de blessure :

1. Ne laissez pas sans surveillance un appareil branché. Débranchez le cordon de la prise de courant lorsque la machine n'est pas utilisée ou lors de toute réparation.
2. N'utilisez pas à l'extérieur. Cette machine est destinée à une utilisation à l'intérieur uniquement.
3. Ne permettez pas à quiconque d'utiliser la machine comme un jouet. Une attention particulière est exigée lorsqu'elle est utilisée à proximité d'enfants.
4. Utilisez uniquement la machine comme indiqué dans ce manuel. Utilisez uniquement les outils recommandés par le fabricant.
5. Les opérateurs doivent avoir reçu une formation adéquate sur l'utilisation de cette machine.
6. Cette machine n'est pas conçue pour être utilisée par des personnes, y compris des enfants, dont les capacités physiques, sensorielles ou mentales sont réduites, ou des personnes dénuées d'expérience ou de connaissance.
7. Respectez les consignes de sécurité du site quant aux planchers mouillés.
8. Portez des chaussures antidérapantes lors de l'utilisation de la machine.
9. N'utilisez pas avec un cordon ou une fiche endommagés. Si l'appareil ne fonctionne pas comme il le devrait, s'il a subi une chute, s'il est endommagé, laissé à l'extérieur ou immergé dans l'eau, retournez-le à un centre d'assistance aux fins de réparation.
10. Ne tirez pas sur le cordon, ne transportez pas l'appareil par le cordon, n'utilisez pas le cordon comme une poignée, ne coinciez pas le cordon dans une porte et ne tirez pas sur le cordon autour de coins ou rebords coupants. Ne faites pas rouler l'appareil sur le cordon. Éloignez le cordon des surfaces chauffées.
11. Ne tirez pas sur le cordon pour le débrancher. Pour débrancher, saisissez la fiche et non le cordon.
12. Ne manipulez pas la fiche ou l'appareil avec des mains mouillées.
13. Ne mettez pas de quelconques objets dans les ouvertures. N'utilisez pas l'appareil avec une quelconque ouverture bloquée. Maintenez toute ouverture exempte de poussières, fibres, cheveux, ou de tout autre matériau susceptible de réduire le flux d'air.
14. N'utilisez pas l'appareil sans le filtre à flotteur en place.
15. Éloignez les cheveux, les vêtements, les doigts et toutes les parties du corps des ouvertures et des pièces mobiles.
16. Mettez toutes les commandes sur arrêt avant le débranchement.
17. N'utilisez pas de solvants de nettoyage inflammables avec la machine.
18. N'ajoutez pas de l'eau à des températures supérieures à 120 °F/49 °C dans le réservoir de la solution.
19. Ne ramassez pas de liquides inflammables ou combustibles, tels que de l'essence, ou n'utilisez pas la machine dans des lieux où de tels liquides pourraient être présents.
20. Ne ramassez pas quelques poussières dangereuses ou matériaux toxiques que ce soit.
21. Ne ramassez pas quoi que ce soit qui brûle ou fume, tel que des cigarettes, allumettes ou des cendres chaudes.
22. Ne dirigez pas le jet vers soi ou vers des tiers.
23. N'utilisez pas cette machine pour une aspiration sèche avant un nettoyage humide.
24. Ne faites pas fonctionner la machine dans de l'eau stagnante.
25. Débranchez immédiatement le cordon d'alimentation de la prise de courant si une fuite de solution/de mousse se produit ou si la machine bascule en cours de fonctionnement.
26. Dissipez la pression d'eau au niveau du gicleur de l'outil avant de débrancher le tuyau de solution.
27. Arrêtez toujours la machine sur une surface plane.
28. Redoublez de prudence lors du nettoyage d'escaliers. N'utilisez pas les roues de la machine pour emprunter des escaliers.
29. Branchez le cordon uniquement sur une prise correctement mise à la terre.
30. Le cordon prolongateur doit être de calibre 12/3 et d'une longueur égale ou inférieure à 40 pieds. Remplacez le cordon si la borne de mise à la terre est endommagée.
31. N'utilisez pas de cordons prolongateurs supplémentaires avec la machine.
32. N'utilisez pas la machine si elle n'est pas en bon état de marche.
33. Ne modifiez pas la conception originale de la machine.
34. Obtenez de l'aide pour soulever la machine.
35. Toutes les réparations doivent être effectuées par un technicien qualifié. Utilisez uniquement des pièces de remplacement fournies par le fabricant ou des pièces équivalentes.
36. N'exposez pas la machine à la pluie ou à l'humidité. Entrez la machine à l'intérieur. N'exposez pas la machine à des températures inférieures au point de congélation.
37. Au besoin, portez un équipement de protection individuelle approprié.

CONSERVEZ CES INSTRUCTIONS

ÉTIQUETTE DE SÉCURITÉ

L'étiquette de sécurité se trouve à l'endroit indiqué sur la machine. Remplacez l'étiquette si elle est endommagée ou illisible.

ÉTIQUETTE D'AVERTISSEMENT – Apposée à l'arrière.

⚠ WARNING

TO REDUCE THE RISK OF FIRE, EXPLOSION, ELECTRICAL SHOCK, OR INJURY:

- Read manual before operating machine.
- Connect cord to a properly grounded outlet only.
- Use only commercially available floor cleaners intended for machine application.
- Do not use flammable cleaning solvents with machine.
- Do not pick up flammable or combustible materials or use in areas where they may be present.
- Do not use with damaged cord or plug. Unplug cord before cleaning or servicing machine.
- Do not use outdoors. Do not expose to rain. Store indoors.

⚠ AVERTISSEMENT

POUR RÉDUIRE LE RISQUE D'INCENDIE, D'EXPLOSION, DE CHOC ÉLECTRIQUE OU DE BLESSURE :

- Lisez le manuel avant de faire fonctionner la machine.
- Branchez le cordon uniquement sur une prise correctement mise à la terre.
- Utilisez uniquement des nettoyeurs de plancher disponibles dans le commerce et destinés aux applications de la machine.
- N'utilisez pas de solvants de nettoyage inflammables avec la machine.
- Ne ramassez pas de matériaux inflammables ou combustibles ou n'utilisez pas la machine dans des lieux où de tels matériaux pourraient être présents.
- N'utilisez pas avec un cordon ou une fiche endommagés. Débranchez le cordon avant de nettoyer ou d'entretenir la machine.
- N'utilisez pas à l'extérieur. N'exposez pas à la pluie. Entrez la machine à l'intérieur.

⚠ ADVERTENCIA

PARA REDUCIR EL RIESGO DE INCENDIOS, EXPLOSIÓN, CHOQUE ELÉCTRICO O LESIONES:

- Lea el manual antes de utilizar la máquina.
- Conecte el cable solo a un tomacorrientes con correcta conexión a tierra.
- Use solamente los detergentes para uso en máquinas.
- No use solventes de limpieza inflamables con la máquina.
- No manipule materiales inflamables o combustibles ni use la máquina en áreas donde podría haber este tipo de materiales.
- No use la máquina si el cable o el interruptor está dañado. Desconecte el cable antes de limpiar la máquina o hacer tareas de mantenimiento.
- No use la máquina al aire libre. No la exponga a la lluvia. Guárdela en un lugar cerrado.

1072967

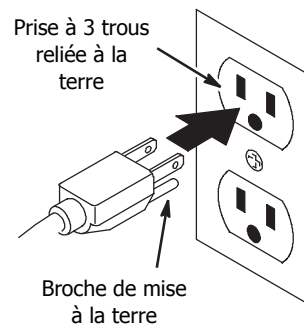


INSTRUCTIONS DE MISE À LA TERRE

Cette machine doit être mise à la terre. En cas de dysfonctionnement ou de panne, la mise à la terre offre une voie de moindre résistance au courant électrique, afin de réduire le risque de choc électrique. Cette machine est équipée d'un cordon muni d'un conducteur de mise à la terre de l'équipement et d'une fiche avec mise à la terre. La fiche doit être branchée sur une prise appropriée, correctement installée et mise à la terre, conformément aux réglementations et codes en vigueur au niveau local.

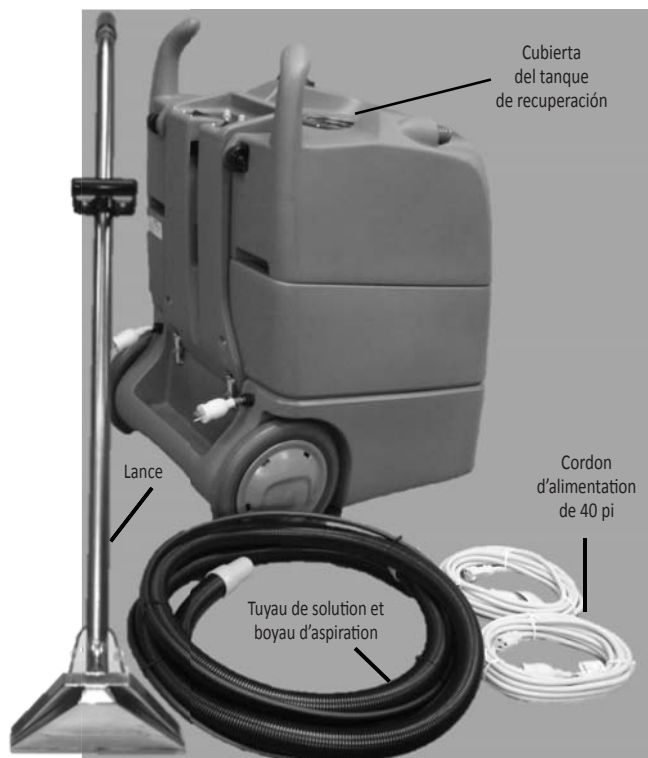
⚠ AVERTISSEMENT – Toute connexion incorrecte du conducteur de mise à la terre de l'équipement peut engendrer un risque de choc électrique. En cas de doute sur la mise à la terre de la prise de courant, faites examiner la prise de courant par un électricien qualifié ou un technicien de dépannage. Ne modifiez pas la fiche fournie avec la machine. Si elle ne s'adapte pas à la prise de courant, faites installer une prise correcte par un électricien qualifié.

Cette machine est destinée à être utilisée sur un circuit nominal de 120 V et comprend une fiche de mise à la terre qui ressemble à celle illustrée ci-dessous. Veillez à ce que la machine soit branchée sur une prise de courant ayant la même configuration que la fiche.

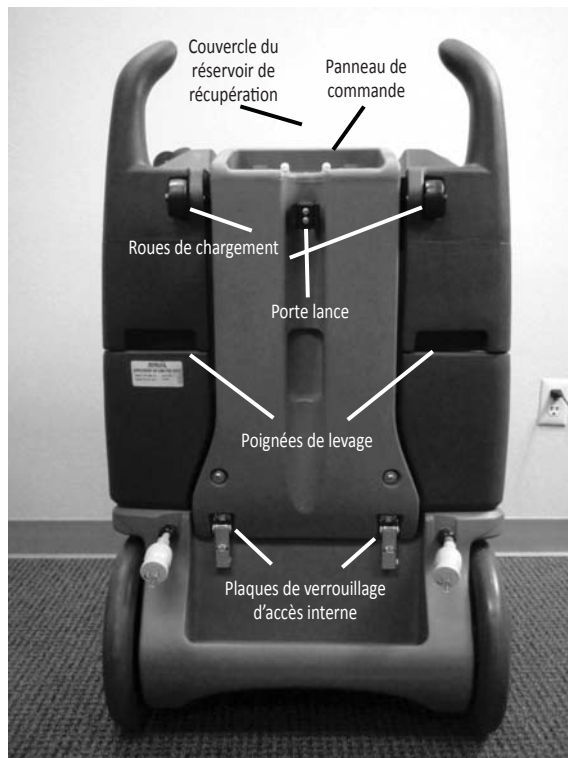


COMPOSANTS DE LA MACHINE :

MACHINE ET ACCESSOIRES



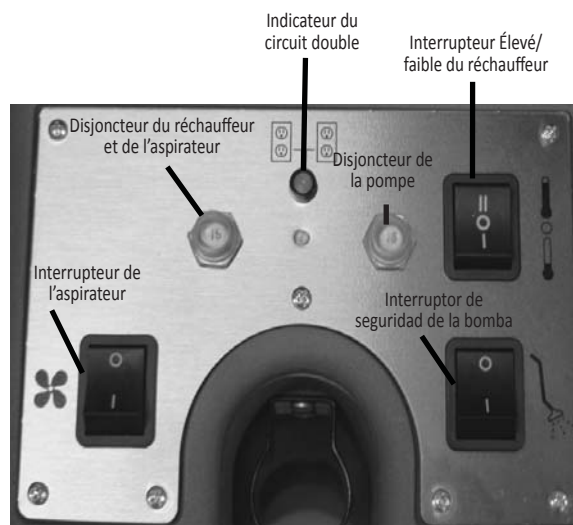
VUE ARRIÈRE



VUE AVANT



COMPOSANTS DU PANNEAU DE COMMANDE



MISE EN SERVICE DE LA MACHINE

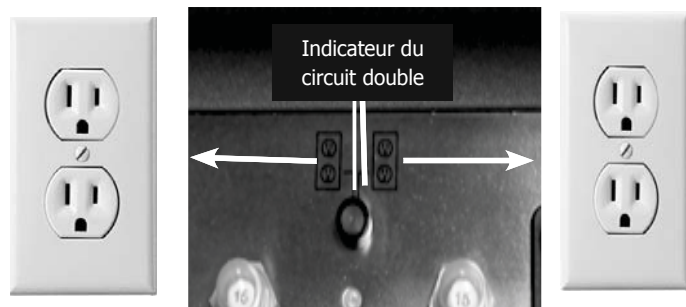
1. Avant chaque utilisation, vérifiez la propreté et le caractère complet de la machine, des tuyaux et de la lance. Vérifiez que les gicleurs de la lance sont serrés et que le filtre à flotteur du réservoir de récupération est propre et opérationnel.
2. Fermez et serrez le couvercle du réservoir de récupération et vissez le capuchon sur le tuyau de vidange.
3. Remplissez le réservoir de la solution avec 15 gallons/57 litres d'eau à l'aide d'un tuyau d'arrosage ou d'un seau (température maximale de 120 °F/49 °C).

REMARQUE : Le réchauffeur de cette machine est conçu pour augmenter instantanément la température de l'eau au niveau des gicleurs. Pour accroître l'efficacité du réchauffeur, remplissez toujours le réservoir de la solution avec de l'eau chaude. Ne remplissez jamais le réservoir de la solution avec de l'eau à une température supérieure à 120 °F/49 °C.



REMARQUE : Pour obtenir une performance de nettoyage optimale, il est recommandé de pulvériser préalablement les moquettes avec un nettoyant approuvé à l'aide d'un pulvérisateur à pompe au lieu d'ajouter un nettoyant dans la machine. Si vous décidez d'utiliser un nettoyant dans la machine, suivez les instructions relatives à la manipulation et au mélange appropriés fournies avec la bouteille de nettoyant. Il est conseillé de rincer le système de solution avec de l'eau propre après chaque utilisation pour éviter l'accumulation de nettoyant. L'utilisation de nettoyants en poudre avec la machine est déconseillée.

4. Mettez tous les interrupteurs sur arrêt. Branchez les deux cordons d'alimentation sur des prises électriques correctement mises à la terre. Ne branchez pas les deux cordons sur le même circuit. L'indicateur du circuit double s'allume en vert clair lorsque les cordons d'alimentation sont branchés dans différents circuits. La machine est prête à fonctionner.



Circuit 1

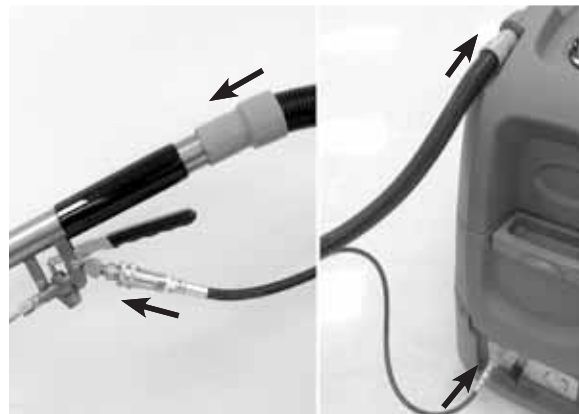
Circuit 2

RACCORDEZ LA LANCE À LA MACHINE

Les interrupteurs étant sur arrêt, branchez le tuyau de solution et le boyau d'aspiration sur la machine et sur la lance. N'utilisez que des outils fournis avec la machine ou approuvés par Tennant. L'utilisation d'outils incorrects peut provoquer des blessures.



AVERTISSEMENT : N'essayez pas de brancher le tuyau de solution sur la machine avec l'interrupteur de la pompe et/ou l'interrupteur du réchauffeur sur la position marche.



POUR AMORCER LA MACHINE

1. Placez la lance dans un seau ou une cuve.



2. Mettez la pompe sous tension depuis le panneau de commande. Appuyez sur le levier de la lance et pulvérisez jusqu'à ce qu'il n'y ait plus d'air qui s'échappe avec l'eau. Ceci peut exiger environ 2 à 3 minutes. Mettez la pompe hors tension.



FONCTIONNEMENT DE LA MACHINE



Lisez toutes les instructions avant d'utiliser cette machine.

PULVÉRISATION PRÉALABLE DE LA MOQUETTE

À l'aide d'un pulvérisateur à pompe, pulvérisez préalablement la moquette avec un nettoyant approuvé. Utilisez uniquement des nettoyants de plancher disponibles dans le commerce et destinés aux applications de la machine. Suivez les instructions relatives à la manipulation et au mélange appropriés indiqués sur la bouteille de nettoyant.



AVERTISSEMENT : N'utilisez pas de solvants de nettoyage inflammables avec la machine. Ne ramassez pas de matériaux inflammables ou combustibles ou n'utilisez pas la machine dans des lieux où de tels matériaux pourraient être présents.

RÉGLEZ LA TEMPÉRATURE

Sélectionnez la position de température élevée II ou de température faible I de l'interrupteur du réchauffeur sur le panneau de commande. Attendez deux minutes pour que le réchauffeur atteigne sa température de fonctionnement.

Remarque : Le réchauffeur contient une petite quantité d'eau. Afin de maintenir une température maximale pendant toute la durée du travail de nettoyage, pulvérisez pendant de courtes périodes puis cessez toute pulvérisation pendant la passe de récupération. Une pulvérisation continue empêche l'eau d'atteindre une température maximale.



NETTOYAGE DES MOQUETTES AVEC UNE LANCE

1. Respectez les consignes de sécurité du site quant aux planchers mouillés.
2. Vérifiez que le boyau d'aspiration et le tuyau de solution sont fermement raccordés à la machine et à la lance.
3. Mettez les interrupteurs de la pompe, de l'aspirateur et du réchauffeur sur marche.
4. Pour obtenir des résultats de nettoyage optimaux, il est recommandé d'effectuer des passes en V comme illustré. Commencez avec une surface d'environ 4 pi x 4 pi. Sur la passe arrière, appuyez sur la gâchette de la lance pour pulvériser de la solution.



MISE EN GARDE : Lors de la manipulation de la lance, évitez tout contact avec le raccord de tuyau, la valve et le conduit de solution métallique. Cette surface peut présenter un risque de brûlure. Portez des gants de protection au besoin.

5. Relâchez la gâchette à environ 4 pouces avant la fin de la passe pour une récupération maximale de l'eau.
6. Déplacez la lance vers l'avant en l'inclinant légèrement jusqu'à ce que la passe suivante chevauche légèrement la passe précédente.
7. Appliquez une passe d'aspiration sur la surface qui vient d'être nettoyée avant de passer à la surface suivante.



REMARQUE : Utilisez un agent antimousse chaque fois que de la mousse se forme dans le réservoir de récupération pour éviter d'endommager le moteur ou d'autres composants.

8. Surveillez le niveau de l'eau dans le réservoir de la solution. Si le réservoir de la solution se vide, la pompe doit être réamorcée.
9. Lorsque le niveau du réservoir de la solution est bas, mettez les interrupteurs sur arrêt, videz le réservoir de récupération, puis remplissez le réservoir de la solution.

REMARQUE : Lorsque le réservoir de récupération est plein, le filtre à flotteur arrête l'aspiration afin d'éviter le débordement de la machine. Le filtre à flotteur peut ne pas fonctionner en présence d'une quantité excessive de mousse dans le réservoir. Utilisez toujours un agent antimousse pour éviter tout débordement.

10. Une fois le travail terminé, mettez tous les interrupteurs sur arrêt. Avant de débrancher le tuyau de solution, dissipez la pression d'eau de la lance en appuyant sur le levier de la lance.



MISE EN GARDE : Lors du débranchement du raccord de tuyau de solution, portez des gants de protection pour éviter toute brûlure.

VIDANGE DES RÉSERVOIRS

VIDANGE DU RÉSERVOIR DE LA SOLUTION

Une fois le travail terminé, aspirez toute solution restante dans le réservoir de la solution. Placez l'extrémité du boyau d'aspiration qui était attachée à la lance dans le réservoir de la solution et mettez l'interrupteur d'aspiration sur marche.



VIDANGE DU RÉSERVOIR DE RÉCUPÉRATION

1. Mettez tous les interrupteurs sur arrêt.
2. Vidangez le réservoir de récupération en tenant l'extrémité du tuyau de vidange pourvue du capuchon au-dessus de la machine. Retirez le capuchon du tuyau de vidange. Abaissez le tuyau de vidange sur un drain ou un seau pour vidanger le réservoir de récupération.



ENTRETIEN DE LA MACHINE

Pour garder la machine en bon état de marche, il vous suffit de suivre les procédures d'entretien de la machine.

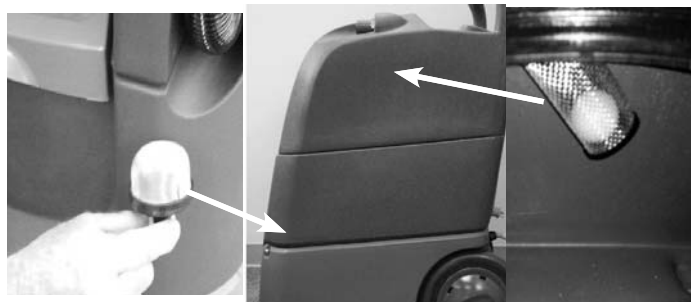


POUR VOTRE SÉCURITÉ : Lors de l'entretien de la machine, débranchez les cordons des prises murales. Au besoin, portez un équipement de protection individuelle approprié.

APRÈS CHAQUE UTILISATION

1. Si des produits chimiques sont utilisés dans le réservoir de la solution, rincez le système avec de l'eau propre en faisant fonctionner la machine à la fin de chaque travail.
2. Vidangez et rincez le réservoir de récupération.
3. Retirez les peluches du filtre à flotteur du réservoir de récupération et les débris du filtre d'admission du réservoir de la solution. Veillez à remettre en place en toute sécurité le filtre à flotteur et le filtre d'admission du réservoir de la solution.

4. Essuyez la machine avec un chiffon humide. N'arrosez pas la machine et ne l'exposez pas à un pulvérisateur à puissant jet d'eau.
5. Vérifiez que le tuyau de solution et le boyau d'aspiration ne sont pas fissurés ou endommagés. N'utilisez ni le tuyau ni le boyau s'ils sont endommagés.
6. Remisez l'extracteur avec les couvercles des réservoirs retirés afin de faciliter la circulation de l'air.
7. Vérifiez l'état des extrémités du cordon électrique de la machine ainsi que les cordons d'alimentation utilisés avec la machine. Remplacez les cordons d'alimentation s'ils sont endommagés et contactez un centre d'assistance ou un technicien qualifié si les extrémités des cordons de la machine sont endommagées.
8. Enroulez soigneusement les cordons d'alimentation après chaque utilisation et remisez-les sur la machine.



Filtre d'admission du réservoir de la solution

Filtre à flotteur

APRÈS TOUTES LES 80 HEURES D'UTILISATION

Rincez les conduits de solution, la pompe et le réchauffeur avec une solution de détartrage (telle que du vinaigre blanc) pour éliminer toute accumulation de minéraux qui a pu se former lors de l'utilisation d'eau calcaire. Retirez les gicleurs de la lance et trempez-les dans une solution de détartrage. Raccordez à nouveau la lance et le tuyau à la machine. Versez la solution de détartrage dans le réservoir de la solution et faites-la circuler dans le système en mettant la pompe sous tension et en activant la lance. Ne faites pas circuler à nouveau la solution car elle comporte de petits dépôts minéraux. Après avoir fait circuler la solution dans le système, rincez avec de l'eau propre et réinstallez les gicleurs.

RÉPARATION DE LA MACHINE

Toutes les réparations doivent être effectuées par un technicien qualifié.

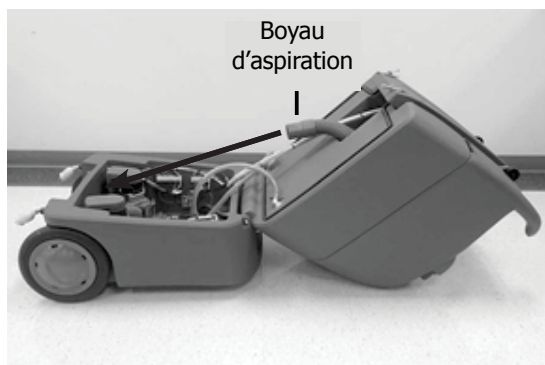


POUR VOTRE SÉCURITÉ : Lors de la réparation de la machine, débranchez les cordons des prises électriques. Au besoin, portez un équipement de protection individuelle approprié.



AVERTISSEMENT : Soyez prudent lors de la réparation de la machine, des composants peuvent être chauds.

La machine est conçue pour s'ouvrir afin de faciliter les réparations. Pour accéder aux composants internes, retirez les deux plaques de verrouillage à l'arrière de la machine et ouvrez la machine avec précaution. Assurez-vous que les réservoirs sont vides avant l'ouverture. Veillez à rebrancher le boyau d'aspiration lors de la fermeture de la machine. Remettez les plaques de verrouillage en place.



CHARGEMENT DE LA MACHINE

Chargez la machine avec l'aide d'un assistant en utilisant les 2 roues de chargement supérieures comme illustré. Fixez la machine au moyen de sangles d'arrimage. Vérifiez que les réservoirs de récupération et de la solution sont vides avant de charger la machine.



ENTREPOSAGE DE LA MACHINE

1. Videz toute l'eau du réservoir de la solution en utilisant le tuyau de la machine pour aspirer l'eau dans le réservoir de récupération.
2. Vidangez et rincez le réservoir de récupération.
3. Raccordez le tuyau de solution à la machine et à la lance. Mettez la pompe sous tension et appuyez sur le levier de la lance jusqu'à ce que la pompe tourne à sec. Mettez la pompe hors tension.
4. Débranchez les cordons d'alimentation de la machine. Enroulez soigneusement les cordons d'alimentation et remisez-les sur la machine.
5. Entrez l'extracteur avec les couvercles des réservoirs retirés pour faciliter la circulation de l'air.
6. Entrez la machine dans un lieu sec.



AVERTISSEMENT : N'exposez pas la machine à la pluie. Entrez uniquement à l'intérieur.

ATTENTION : Si la machine est entreposée à des températures inférieures au point de congélation, assurez-vous que le système de solution et la pompe de la machine sont complètement vidangés et secs.

CARACTÉRISTIQUES TECHNIQUES DE LA MACHINE

MODÈLE	NOBLES EXPLORER H2
Longueur	32,5 po/826 mm
Largeur	25,25 po/641 mm
Hauteur	41,5 po/1 054 mm
Poids	100 lb/46 kg
Capacité du réservoir de la solution	15 gallons/56,78 l
Capacité du réservoir de récupération	13,5 gallons/51,1 l
Tension	120 V c.a./60 Hz
Consommation totale d'énergie	Valeur nominale de 26,5 A
Moteur d'aspiration	120 V, 0,685 HP/0,504 kW, 3 étages, 13,2 A
Élévation d'eau – Débit d'air	137 po/3 479 mm, 107 pi ³ /min
Réchauffeur	120 V, 14 A, 1 750 W, basse température de 140 °F/60 °C, température maximale de 200 °F/93 °C
Pompe à solution	115 V, 1,6 A, 0,8 gal/min / 3,03 l/min, 220 psi/15,16 bar
Longueur du cordon	2 - 12/3, 40 pi/12 m
Niveau de pression acoustique*	75 dBA

*Niveaux de bruit (norme ISO 11203) tels que recommandés par l'American Association of Cleaning Equipment Manufacturers *(AACEM) et l'OSHA.

Les caractéristiques peuvent être modifiées sans préavis.

DIMENSIONS DE LA MACHINE

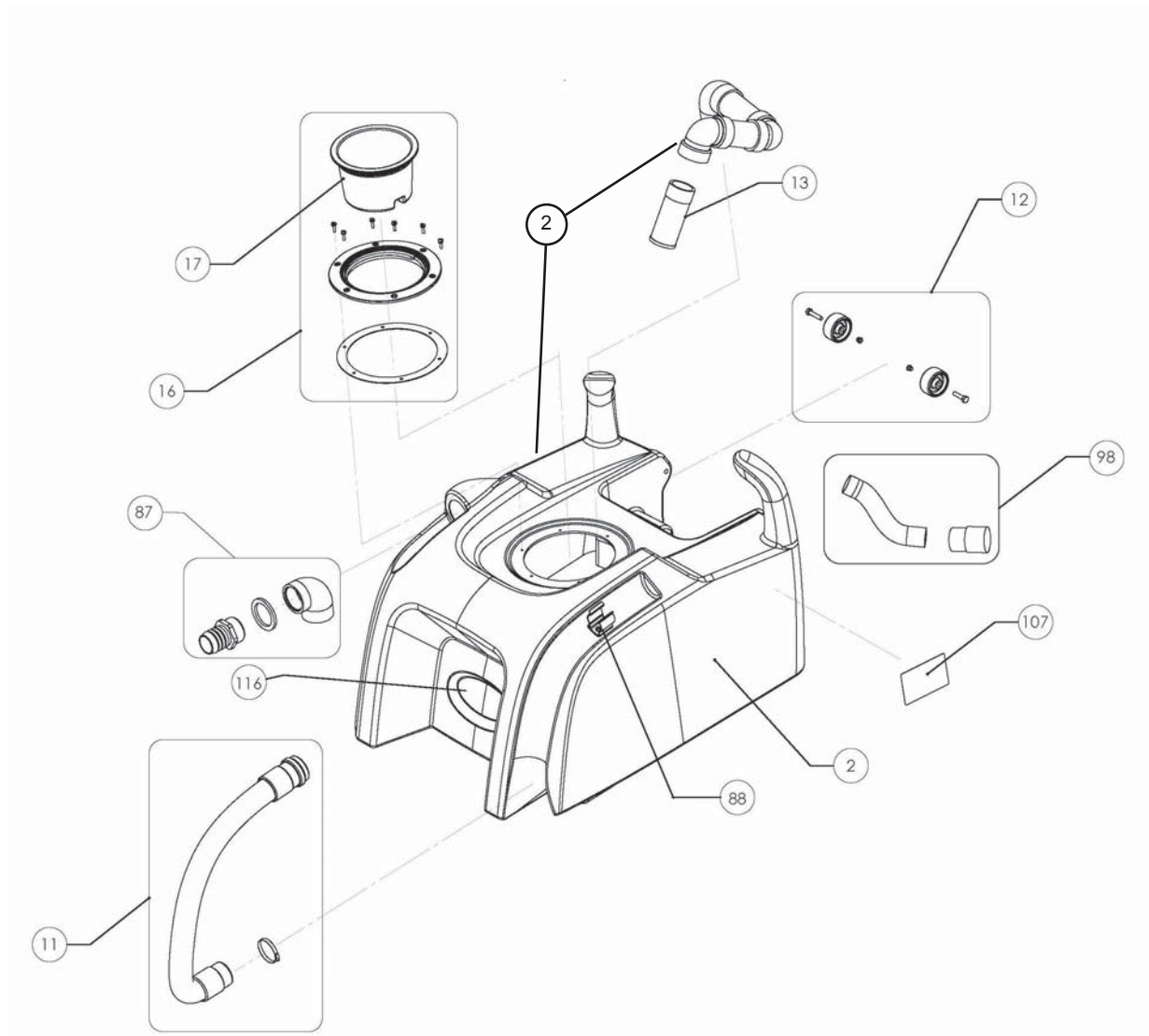


DÉPANNAGE


DÉBRANCHEZ LES CORDONS D'ALIMENTATION AVANT DE RÉPARER LA MACHINE.

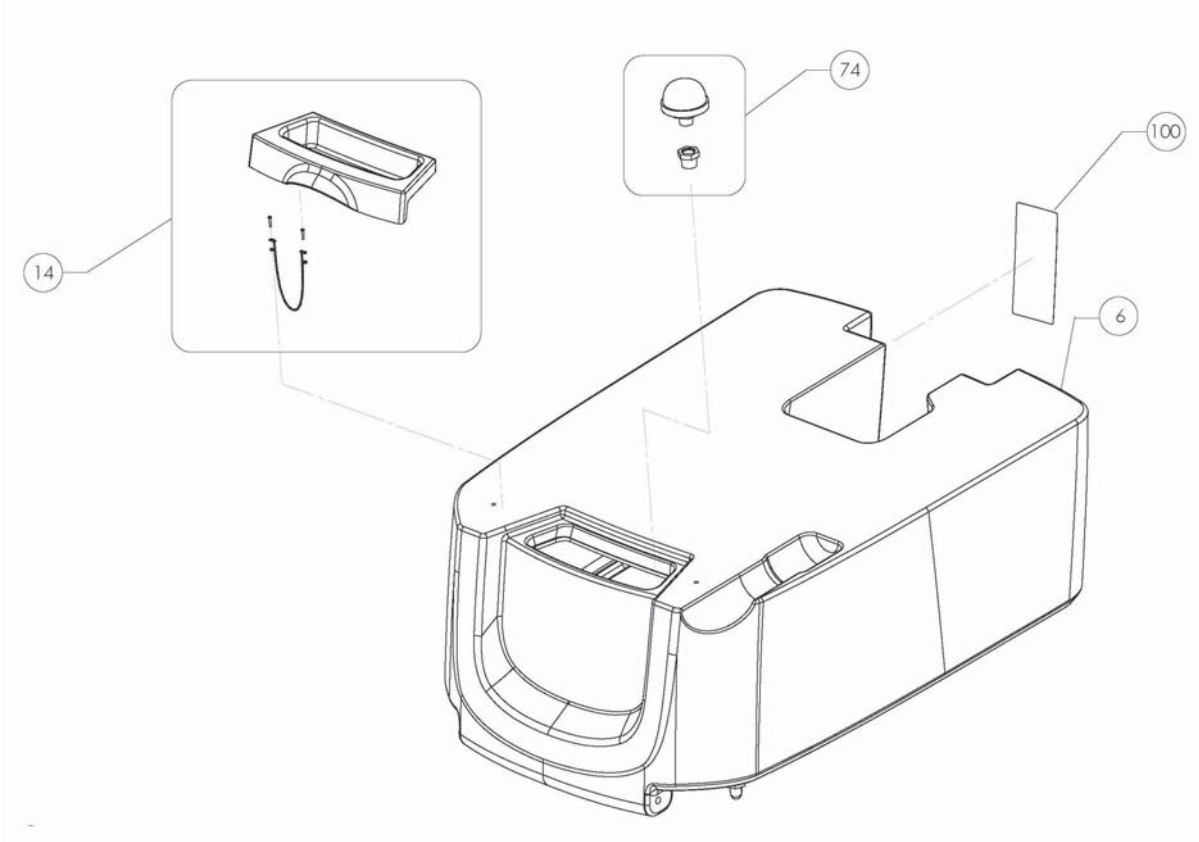
PROBLÈME	CAUSE POSSIBLE	SOLUTION
La pression de la pompe est basse	Le filtre d'admission du réservoir de la solution est sale ou bouché	Nettoyez le filtre d'admission du réservoir de la solution
	La pompe est défectueuse	Contactez le centre d'assistance
La pulvérisation est nulle	Le réservoir de la solution est vide	Remplissez le réservoir de la solution
	Le tuyau de solution n'est pas correctement raccordé	Fixez la connexion du tuyau de solution
	Le gicleur est bouché	Nettoyez ou remplacez le gicleur
	Le moteur de la pompe ne fonctionne pas	Vérifiez que la machine est branchée et mise sous tension
	Le filtre d'admission du réservoir de la solution de la pompe est sale ou bouché	Débouchez le filtre d'admission du réservoir de la solution
	Le tuyau de solution est endommagé	Remplacez le tuyau de solution
La pompe ne fonctionne pas	La pompe n'est pas alimentée -- le cordon n'est pas alimenté	Testez l'interrupteur et le moteur de la pompe, vérifiez que les cordons d'alimentation sont correctement branchés
	Le disjoncteur est déclenché	Réarmez le disjoncteur sur le panneau de commande
	La pompe est défectueuse	Contactez le centre d'assistance
L'aspiration est faible	Le couvercle du réservoir de récupération ou le capuchon du tuyau de vidange sont desserrés	Fermez le couvercle du réservoir de récupération et fixez le capuchon du tuyau de vidange
	Le joint d'aspiration est endommagé	Contactez le centre d'assistance
	Le filtre à flotteur est sale	Nettoyez le filtre à flotteur
	La connexion du boyau d'aspiration est desserrée ou le boyau d'aspiration est endommagé	Vérifiez ou remplacez le boyau d'aspiration
L'aspiration est nulle	Le réservoir de récupération est plein	Videz le réservoir de récupération
	Le disjoncteur est déclenché	Réarmez le disjoncteur sur le panneau de commande
	Le moteur d'aspiration est défectueux	Contactez le centre d'assistance
La chaleur est faible	La pulvérisation est trop longue	Écourtez la durée de pulvérisation en réduisant les passes de nettoyage
La chaleur est nulle	Le disjoncteur est déclenché	Réarmez le disjoncteur sur le panneau de commande
	Le réchauffeur est défectueux	Contactez le centre d'assistance
L'alimentation est nulle	La machine n'est pas alimentée	Vérifiez les disjoncteurs du bâtiment et assurez-vous que les fiches sont branchées sur 2 circuits de prise différents

RECOVERY TANK PARTS DIAGRAM



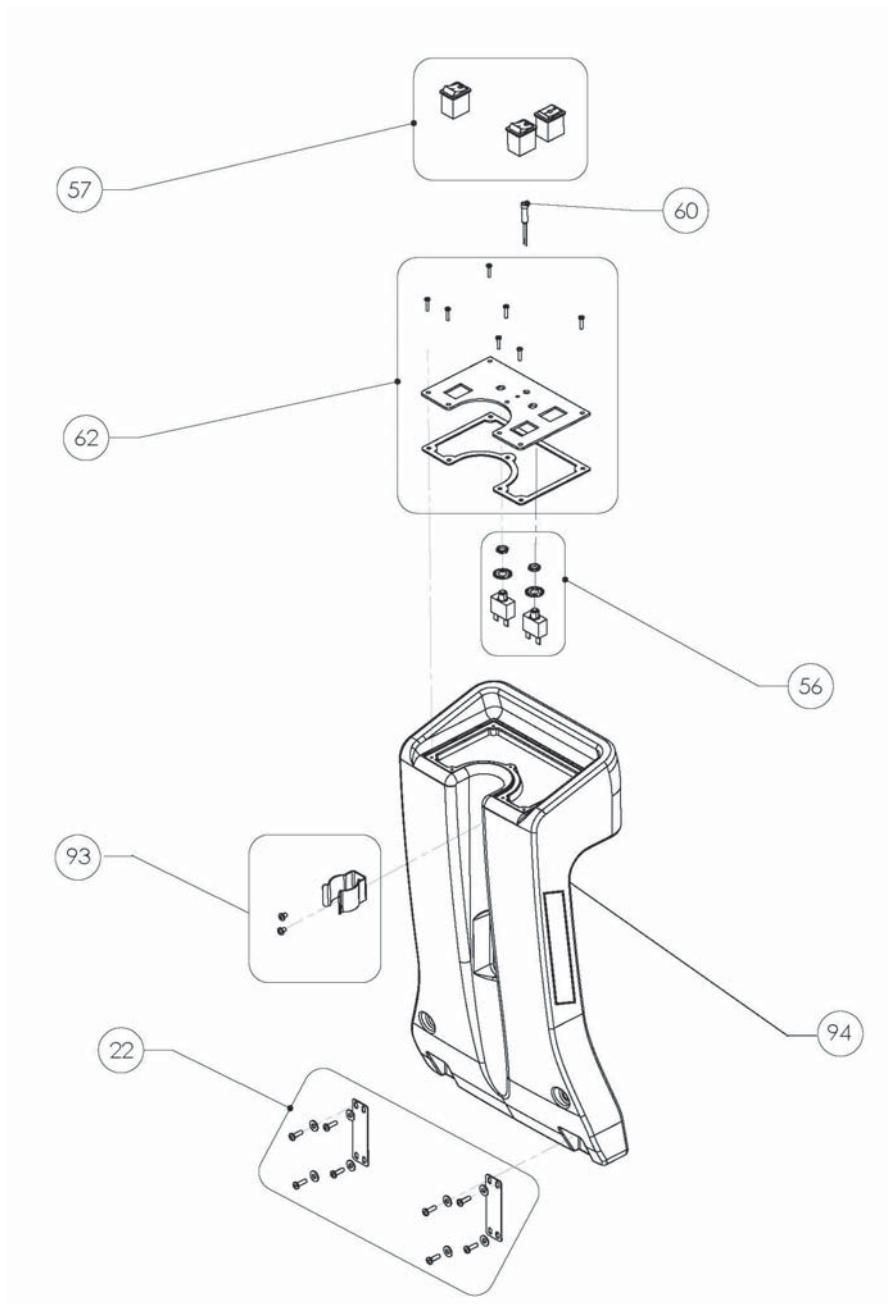
Ref	Part No.	Description	Qty.
2	9011705	TANK, RECVY, W/LBLS [EXP H1, 2, 5, C2]	1
11	9011714	HOSE, DRAIN, RECVY TANK KIT, REPAIR	1
12	9011715	WHEEL, SUPPT, RECVY TANK KIT, REPLMT	1[SET]
13	9011716	FLOAT, BALL KIT, REPLMT	1
16	9011719	COVER, TANK, RECVY KIT, REPAIR	1
17	9011720	COVER, TANK, RECVY KIT, REPLMT	1
87	9012617	FITTING, HOSE, BRB, KIT [W/GASKET]	1
88	9012618	RETAINER, CLIP, RECVY TANK [W/HDWR]	1
98	9012621	HOSE, VACUUM	1
107	1072965	LABEL, MODEL [EXPLORER H2]	1[SET]
116	1206159	LABEL, LOGO, 05.5L [NOBLES]	1

SOLUTION TANK PARTS DIAGRAM



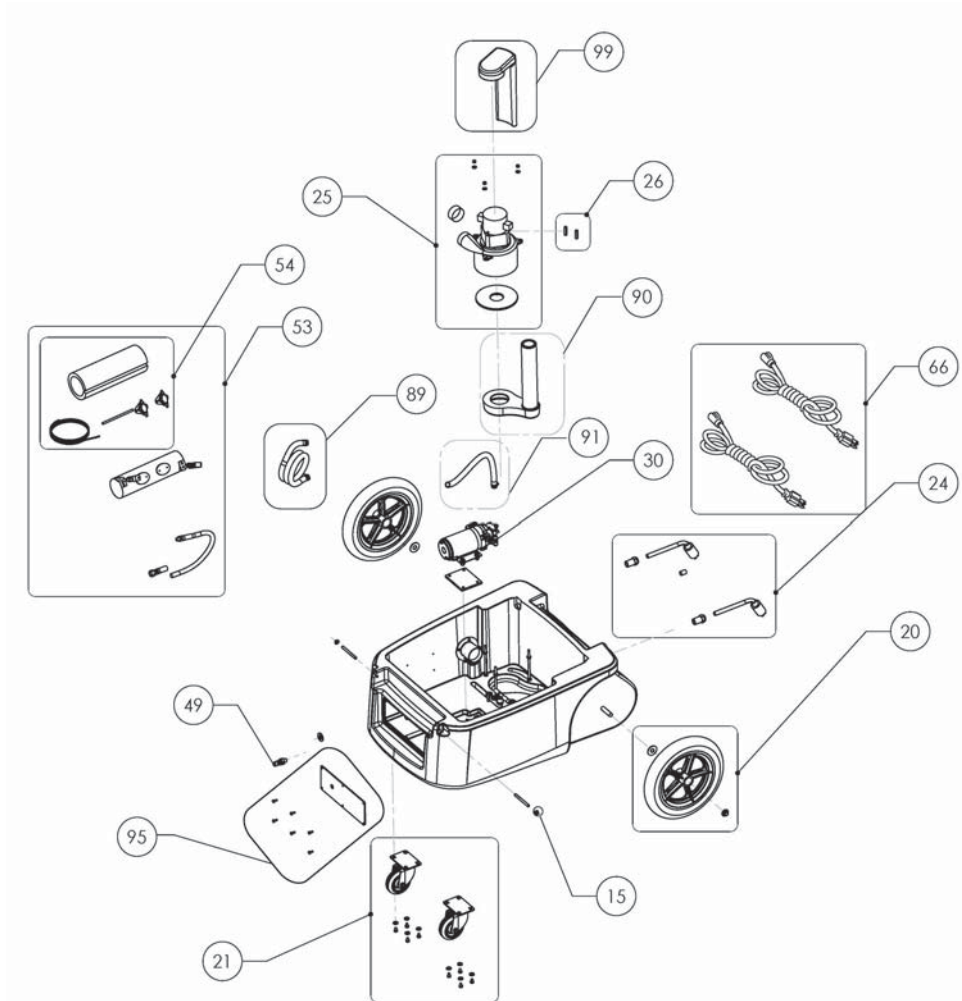
Ref	Part No.	Description	Qty.
6	9011709	TANK, SOLTN, W/LBLS [EXP H1, 2, C2]	1
14	9011717	COVER, FILL KIT, REPLMT	1
74	9011791	STRAINER, SOLUTION TANK	1
100	1072957	LABEL, WARNING [AC, EXTR]	1

SWITCH HOUSING PARTS DIAGRAM



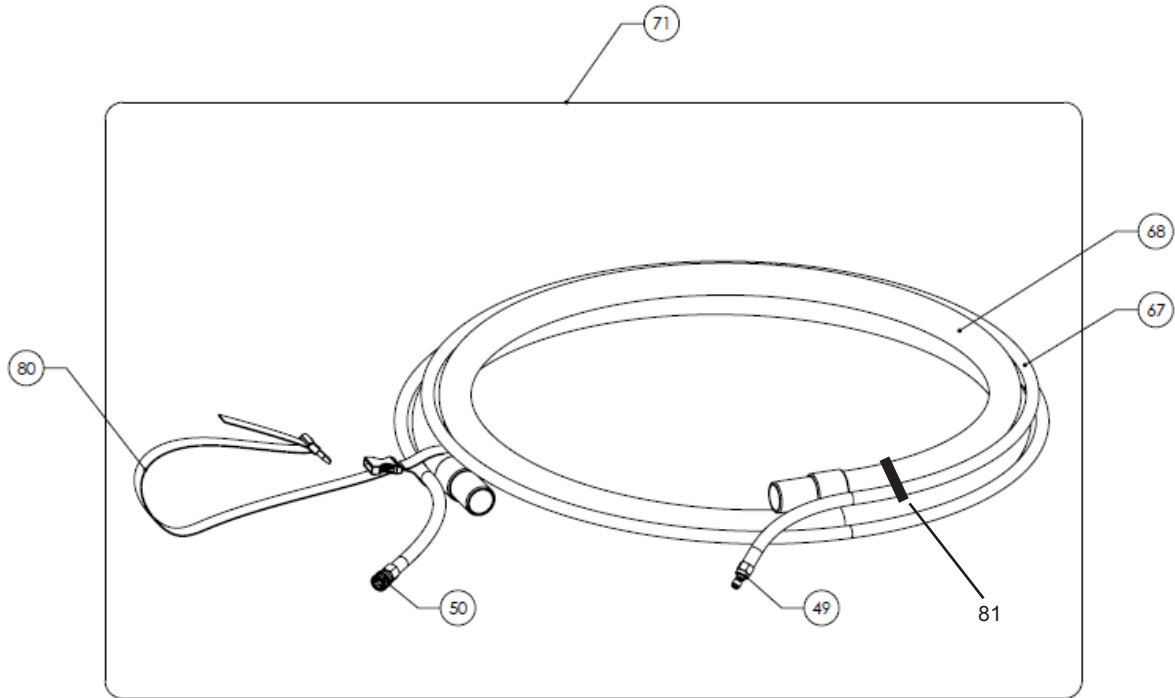
Ref	Part No.	Description	Qty.
22	9011725	PLATE, SERVICE KIT, REPLMT	1[SET]
56	9011759	CIRCUITBREAKER, QTY 2 [15A]	1
57	9011760	SWITCH, ELE, KIT [EH2, EXP H2]	1
60	9011763	INDICATOR, LIGHT KIT, REPLMT [GREEN]	1
62	9011765	PLATE, SWITCH KIT [EH2, EXP H2]	1
93	9012619	RETAINER,CLIP, CNTRL HOUSING [W/HDWR]	1
94	9012625	HOUSING, CNTRL	1

BASE PARTS DIAGRAM



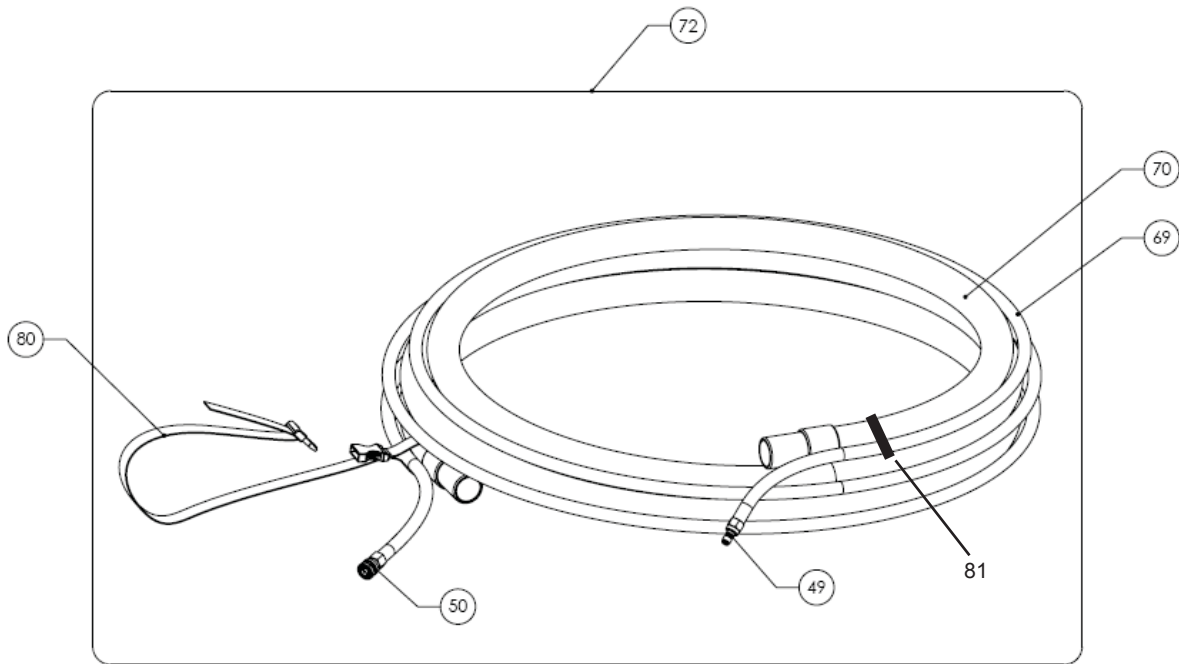
Ref	Part No.	Description	Qty.
15	9011718	HINGE, COVER, TANK KIT, REPAIR [QTY 2]	1[SET]
20	9011723	WHEEL, ASSY KIT, REPLMT [QTY 2]	1[SET]
21	9011724	CASTER, ASSY KIT, REPLMT [QTY 2]	1[SET]
24	9011727	CORD, ELE KIT, REPAIR [15A / QTY 2]	2
25	9011728	MOTOR, VAC KIT, [100, 200, 1200 PSI MODEL]	1
26	9011729	BRUSH, MOTOR, VAC KIT, REPLMT	1[SET]
30	9011733	PUMP, ASSY KIT, REPLMT [200 PSI]	1
49	9011752	COUPLING, MAL, REPLMT [QD]	1
53	9011756	HEATER, ASSY KIT, REPLMT [1750W]	1
54	9011757	HEATER, ASSY KIT, REPAIR [1750W]	1
66	9011769	CORD, POWER, ELE, REPLMT [15A / QTY 2]	1[SET]
89	9012623	HOSE, SOLTN, PUMP, OUTLET [H1, H2, C2]	1
90	9012626	ADAPTER, HOSE, VACUUM	1
91	9012622	HOSE, SOLTN, PUMP, INLET [H2, H2, C2]	1
95	9012629	PLATE, OUTLET, KIT [H1, H2, C2]	1
99	9012636	ADAPTER, VACUUM, INTAKE	1
	9014320	WIRE HARNESS KIT [EXPLORER H2] (not shown)	

VAC PRESSURE HOSE 15'
PARTS DIAGRAM



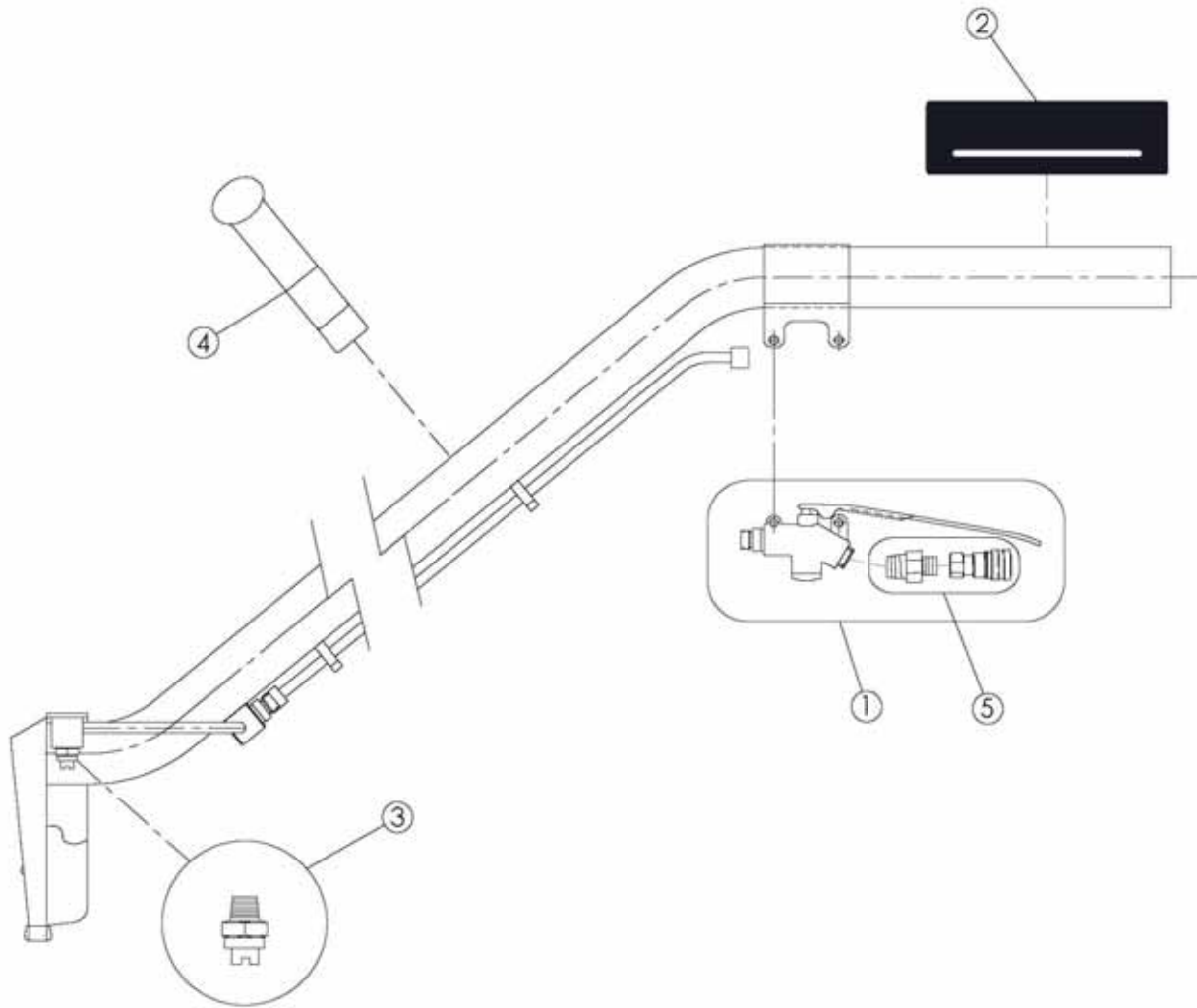
Ref	Part No.	Description	Qty.
49	9011752	COUPLING, MAL, REPLMT [QD]	1
50	9011753	COUPLING, FEM, REPLMT [QD]	1
67	9011770	HOSE, PRESS KIT, REPAIR [15FT]	1
68	9011771	HOSE, VACUUM KIT REPAIR [15FT]	1
71	9011774	HOSE, ASSY KIT, REPLMT [VAC/PRESS 15FT]	1
80	9011922	STRAP, HOSE MGMT	1
81	9013729	STRAP, HOSE MGMT, VELCRO	1

VAC PRESSURE HOSE 25'
PARTS DIAGRAM
(OPTIONAL)



Ref	Part No.	Description	Qty.
49	9011752	COUPLING, MAL, REPLMT [QD]	1
50	9011753	COUPLING, FEM, REPLMT [QD]	1
69	9011772	HOSE, PRESS KIT, REPAIR [25FT]	1
70	9011773	HOSE, VACUUM KIT, REPAIR [25FT]	1
72	9011775	HOSE, ASSY KIT, REPLMT [VAC/PRESS 25FT]	1
80	9011922	STRAP, HOSE MANAGEMENT	1
81	9013729	STRAP, HOSE MGMT, VELCRO	1

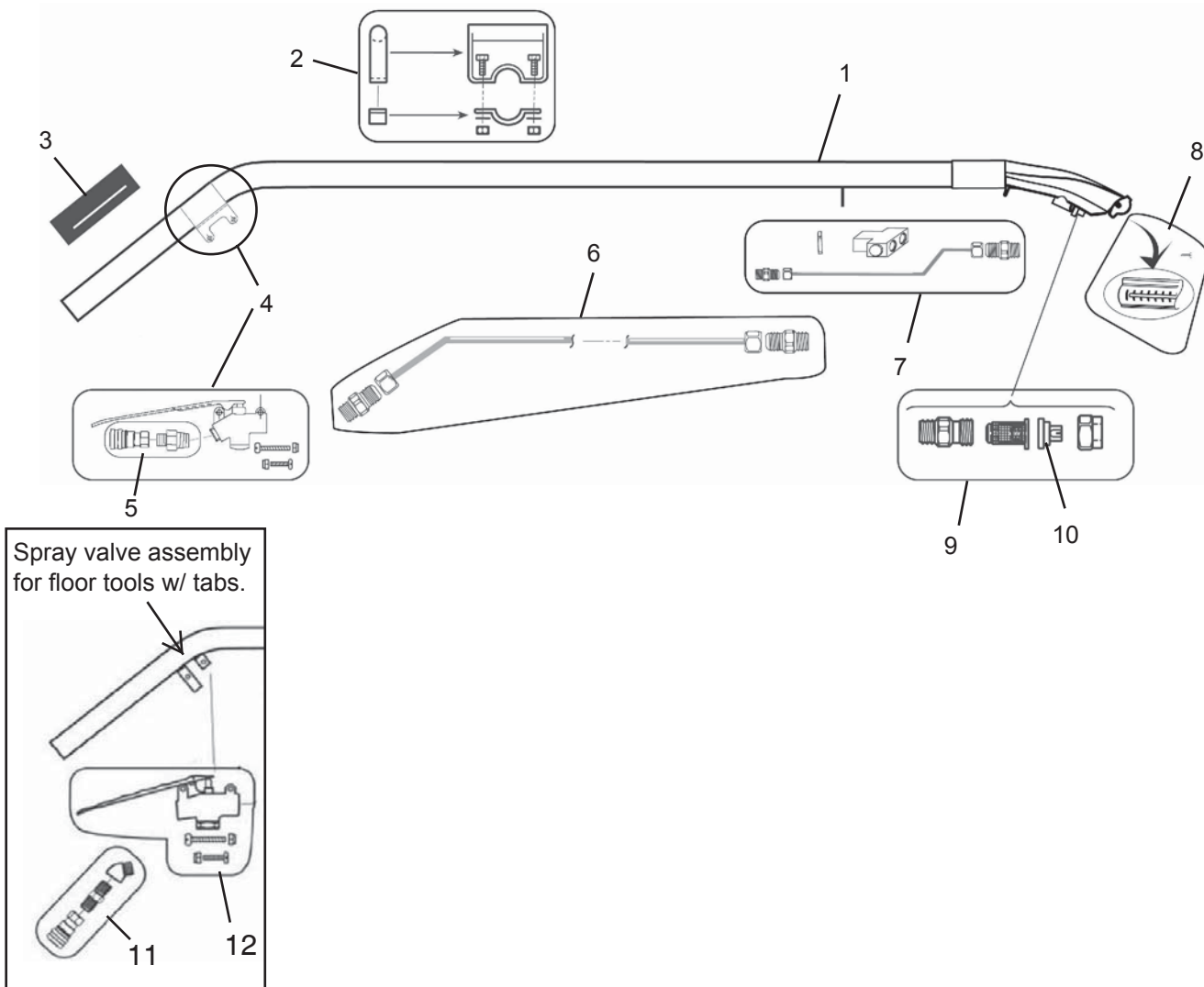
1073125-12" STAINLESS STEEL FLOOR TOOL



Ref	Part No.	Description	Qty.
1	9011895	Valve, Water, Spray [W/Hardware SS}	1
2	9011896	Grip Handle, Sleeve [SS]	1
3	9011897	Fitting, Tip, Spray SS#11002 [QTY 2]	1[SET]
4	9011898	Handle Assy, Grip [SS]	1
5	9012461	Coupling, Fem, [QD W/Adapter]	1

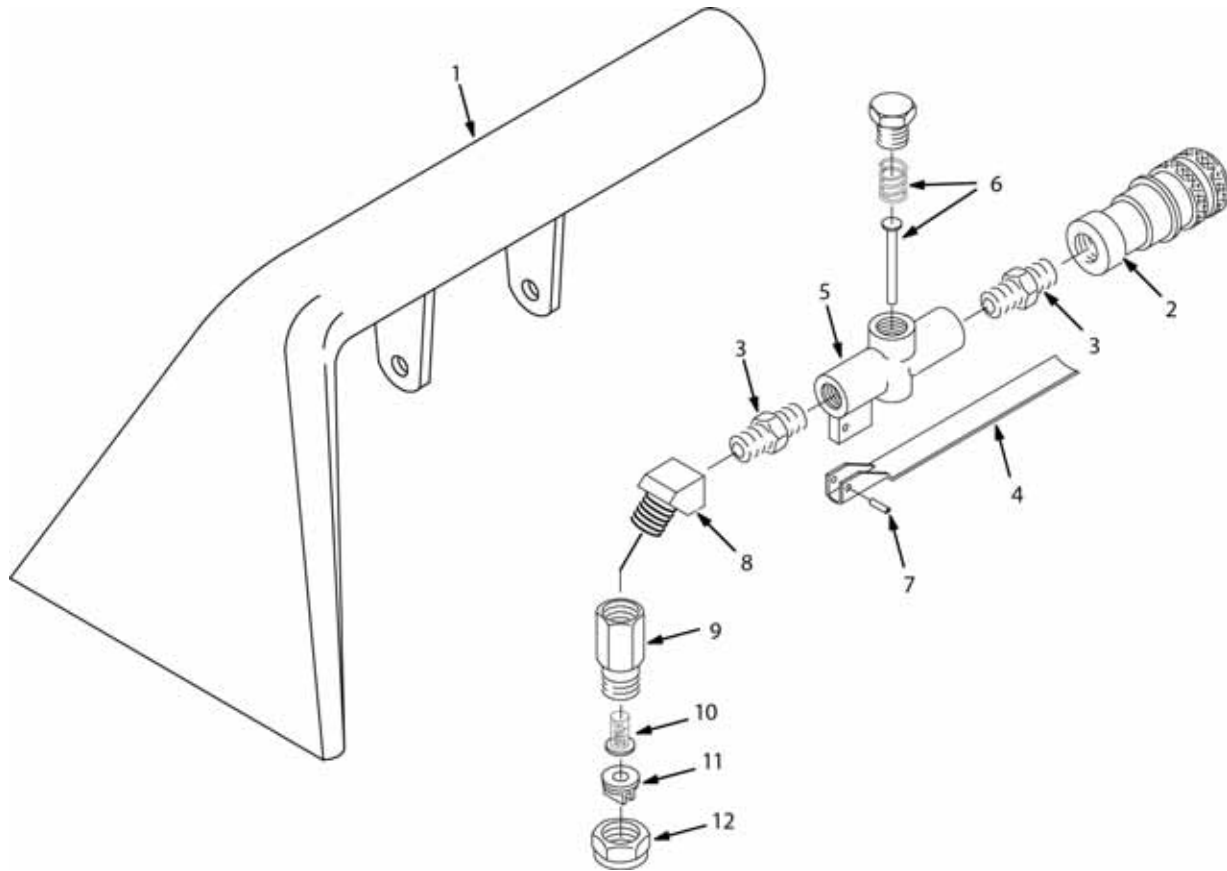
PARTS

1071320-13" HIGH FLOW TITANIUM FLOOR TOOL (OPTIONAL)



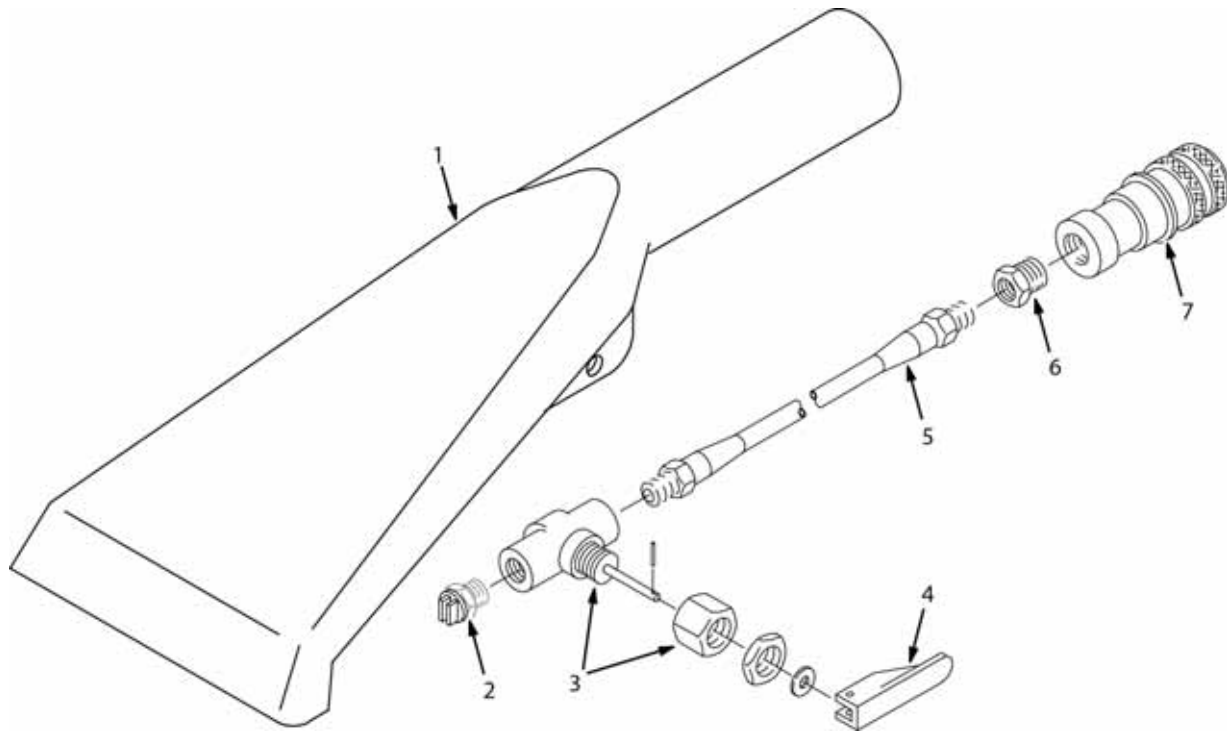
Ref	Part No.	Description	Qty.
1	1071320	TOOL, FLOOR, 13.0 [COMPLETE ASSEMBLY]	1
2	1071321	HANDLE ASSY, GRIP	1
3	1071322	GRIP HANDLE, SLEEVE	1
4	9011895	VALVE, WATER, SPRAY, [W/HARDWARE]	
5	9012461	COUPLING, FEM [QD w/ADAPTER]	1
6	1071325	TUBE, UPPER, SS	1
7	1071326	TUBE, LOWER, SS	1
8	1071327	PLATE, GLIDE, [W/HARDWARE]	1
9	1071328	FITTING, TIP, SPRAY ASM #11002 [QTY 2] 100-250 PSI	1[SET]
10	9011918	FITTING, TIP, SPRAY, #11002 [QTY 2] 100-250 PSI	1[SET]
11	1071324	FITTING, BRS, QDC ASM	1
12	1071323	VALVE, WATER, SPRAY [W/HARDWARE]	1

200505 — 6 IN/127mm HAND TOOL (OPTION)



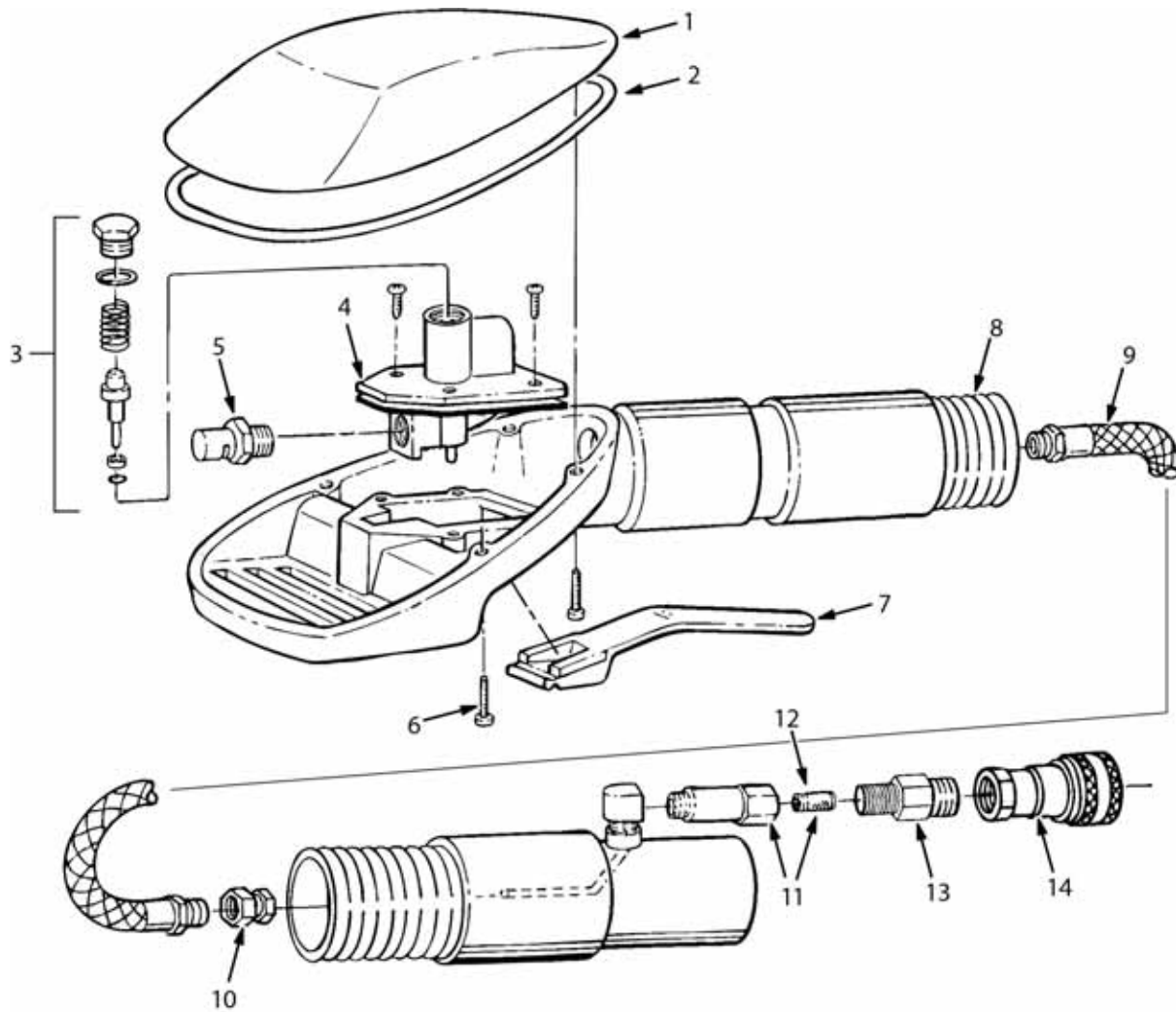
Ref	Part No.	Description	Qty.
	200505	TOOL, HAND, 127MM 5.0W	1
1	200431.BK	TOOL, HAND, BLK	1
2	150913	FITTING, BRS, QDC, PF04 [SER 60]	1
3	150606	FITTING, BRS, STR, PM04/PM04 X 1.38L [NIP]	2
4	200905	LEVER [K-VALVE W/PIN]	1
5	210210	VALVE, WATER, FLOW CNTRL, PF04/PF04	1
6	190600	K—VALVE KIT, REPAIR	1
7	140609	PIN, ROL, .187D X 0.56L, PL	1
8	150403	FITTING, BRS, E45, PF04/PM04 [TAPED]	1
9	200992	FITTING, BRS, STR, PF02, SWIVEL	1
10	200996	FILTER, SCREEN, 100 MESH, CHECK VALVE	1
11	200965	FITTING, BRS, TIP [8002, T—JET]	1
12	200994	CAP, NOZZLE, SPRAY [#8002}	1

200517 — 3 IN/76MM CREVICE TOOL (OPTION)



Ref	Part No.	Description	Qty.
	200517	TOOL [CREVICE LP/HP SERIES 60]	1
1	200436.BK	TOOL, BLK [CREVICE]	1
2	200975	FITTING, BRS, JET [.125 V—JET]	1
3	210014	VALVE, WATER, TOGGLE, PF02, W/ NUT	2
4	210020	HANDLE, VALVE [POSITIONER]	1
5	160106	HOSE, SOLTN, CREVICE TOOL	1
6	150100	FITTING, BRS, STR, PF02/PM04	1
7	150913	FITTING, BRS, QDC, PF04 [SER60]	1

200545 — UPHOLSTERY TOOL, HIGH PRESSURE (OPTION)

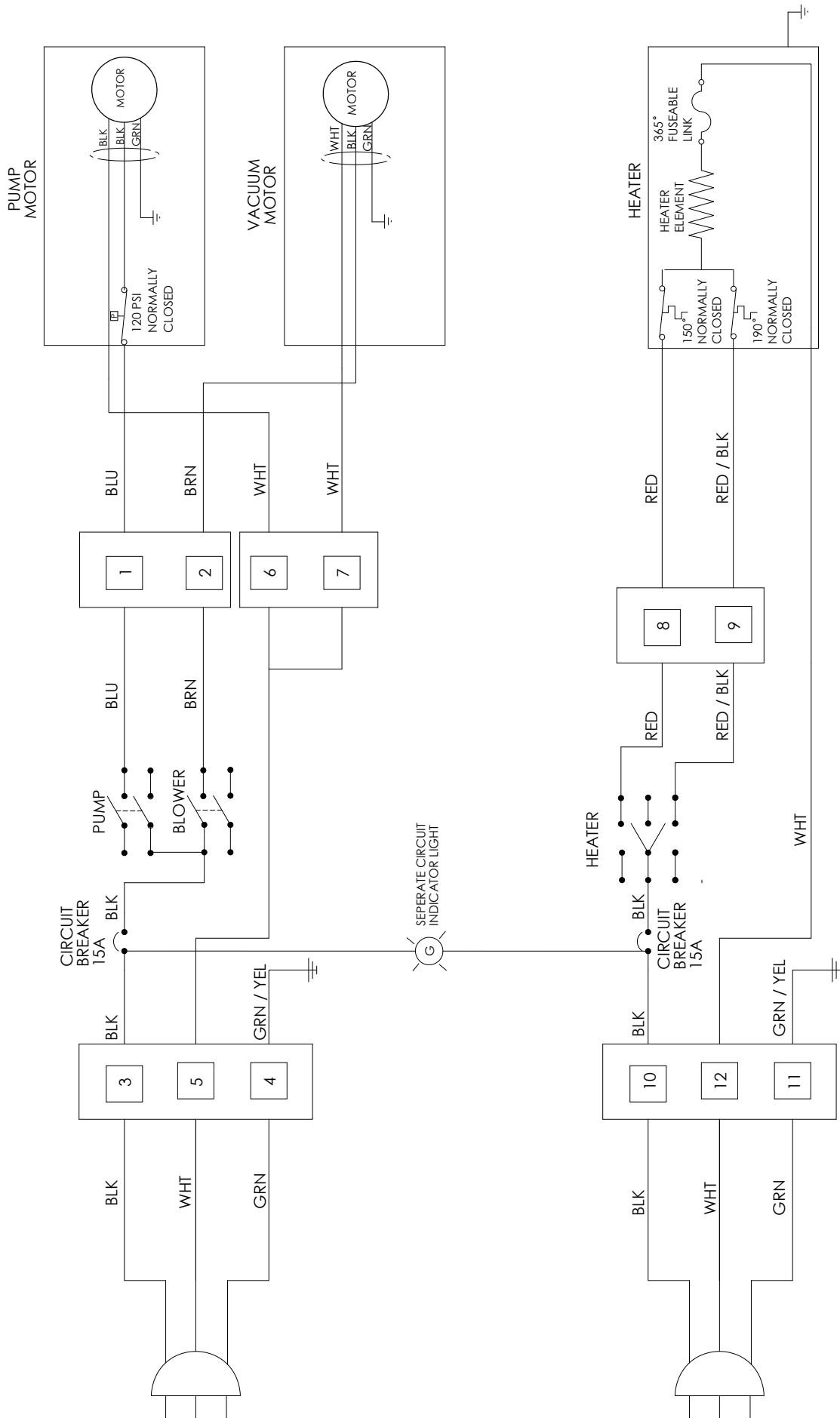


Ref	Part No.	Description	Qty.
	200545	TOOL [UPHOLSTERY HP SERIES 60]	1
1	200845	COVER, TOOL, UPHOLSTERY	1
2	200843	GASKET, COVER	1
3	190631	SERVICE KIT [UPHOLSTERY, TOOL]	1
4	210226	VALVE, WATER, SOLENOID	1
5	201016	FITTING, BRS, JET, [.125 K-JET]	1
6	200838	SCREW, PAN, PHL, 06—32 X 0.75	4
7	200840	TRIGGER, UPHOLSTERY TOOL	1
8	200844	HOSE, VACUUM [UPHOLSTERY TOOL W/O CUFFS]	1
9	200837	HOSE [UPHOLSTERY TOOL]	1
10	200848	FITTING, BRS [3PCS]	1
11	200842	FILTER, IN—LINE, COMPLT	1
12	200841	SCREEN, FLTR, IN—LINE	1
13	150606	FITTING, BRS, STR, PM04/PM04 X 1.38L [NIP]	1
14	150913	FITTING, BRS, QDC, PF04 [SER60]	1

RECOMMENDED SPARE PARTS
Nobles Explorer H2

Ref #	Part Number	Description
11	9011714	HOSE, DRAIN, RECVY TANK KIT, REPAIR
13	9011716	FLOAT, BALL KIT, REPLMT
17	9011720	COVER, TANK, RECVY KIT, REPLMT
21	9011724	CASTER, ASSY KIT, REPLMT [QTY 2]
24	9011727	CORD, ELE KIT, REPAIR [15A/ QTY 2]
25	9011728	MOTOR, VAC KIT [100, 200, 1200 PSI MODEL]
26	9011729	BRUSH, MOTOR, VAC KIT, REPLMT
30	9011733	PUMP, ASSY KIT, REPLMT [200 PSI]
49	9011752	COUPLING, MAL, REPLMT [QD]
50	9011753	COUPLING, FEM, REPLMT [QD]
56	9011759	CIRCUITBREAKER, QTY 2 [15A]
57	9011760	SWITCH, ELE KIT [EH2, EXP H2]
60	9011763	INDICATOR, LIGHT KIT, REPLMT [GREEN]
66	9011769	CORD, POWER, ELE, REPLMT [15A/ QTY2]
71	9011774	HOSE, ASSY KIT, REPLMT [VAC/PRESS 15FT]
74	9011791	STRAINER, SOLUTION TANK
	9011897	FITTING, TIP, SPRAY, #11002 [QTY 2]
80	9011922	STRAP, HOSE MANAGEMENT

ELECTRICAL DIAGRAM



Accessory Tools Application Guide

Nobles Models: Explorer H1, Explorer H2, Explorer C2, Explorer H5 and Quick Clean 12

Accessory Tools		Accessory Tool Max. PSI Rating	Recommended PSI Machine Setting*	Explorer H1	Explorer H2	Explorer C2	Explorer H5	Quick Clean 12
Part No.	Description			100 PSI	200 PSI	200 PSI	50-500 PSI	400-1200 PSI
1073125	13 inch Stainless Steel Carpet Wand	1200 PSI	100-200 PSI	X	X	X		
1071320	13 in High Air Flow Titanium Carpet Wand	2000 PSI	100-500 PSI	X**	X**	X**	X	X
1210536	Hand Tool	3000 PSI	300-500 PSI				X	X
200505	5 inch Hand Tool	250 PSI	100-200 PSI	X	X	X		
200517	3 inch Crevice Tool	250 PSI	100-200 PSI	X	X	X		
200540	Upholstery Tool	250 PSI	100 PSI	X				
200545	Upholstery Tool	250 PSI	200 PSI		X	X		
1073135	Hard Surface Tool	2500 PSI	800-1200 PSI***					X
1210534	Hand Held Hard Surface Tool	4000 PSI	800-1200 PSI***					X
1210535	Hard Surface Corner Tool	1250 PSI	800-1200 PSI***					X

* PSI machine setting according to accessory tool spray tip size.

** Requires #11002 spray tips (100-250 psi). Spray tips included with each new wand.

*** Hard floor surface recommended PSI pressures:

1200 psi - Ceramic, Porcelain, 900-1000 psi - Stone (Marble, Granite), 800 psi - Travertine floor.

Note: Before cleaning tile, ensure grout is in good shape.