

FOAMATIC

MODEL NO. FA200 115/60

MODEL NO. FA200-5 230/50

FORM NO. 042018

This Parts List Covers all
Foamatics after
Serial No. 719274
AUG. 1, 1979

PARTS LIST



The  **Advance Machine Company**

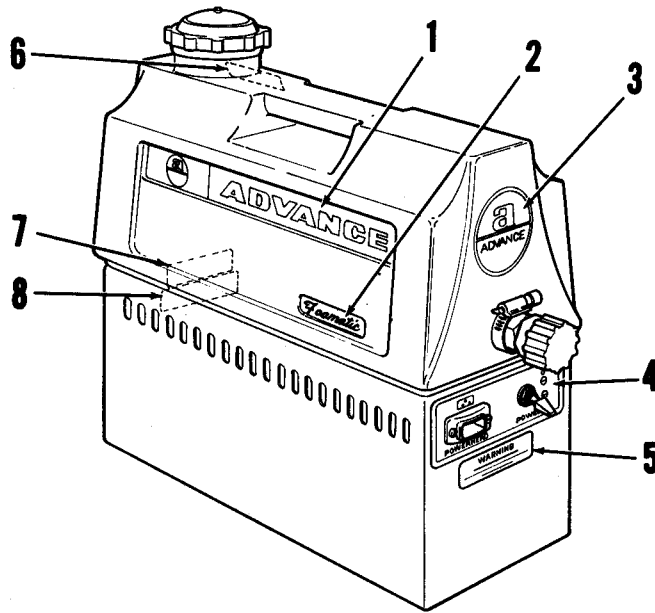
INTERNATIONAL HEADQUARTERS, Spring Park, Minnesota 55384 USA

EUROPE, 4 Rue Jean Engling, Dommeldange, Luxembourg

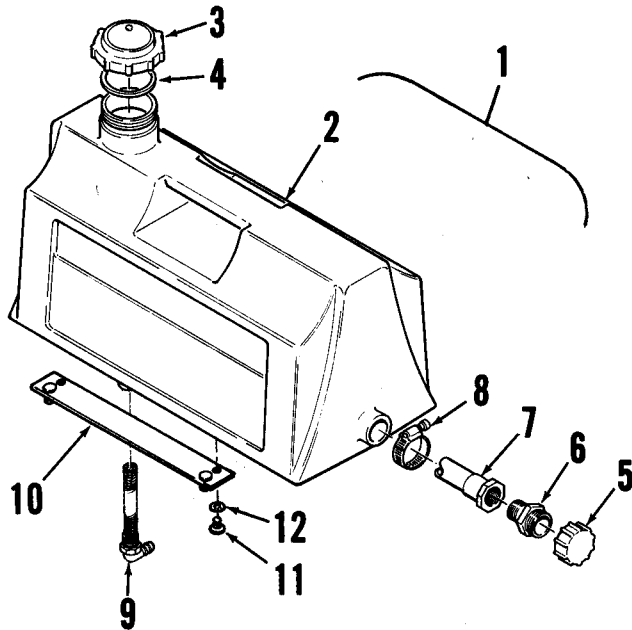
CANADA, 45 Iron Street, Rexdale, Ontario

INDEX FOR FORM NUMBER 042018

<u>Description</u>	<u>Location</u>	<u>Page</u>
Compressor Housing, 115V	B11	4
Compressor Housing, 230V	B13	6
Compressor	B14	7
Power Brush	B9	2
Tank	B8	1



DECAL PLACEMENT

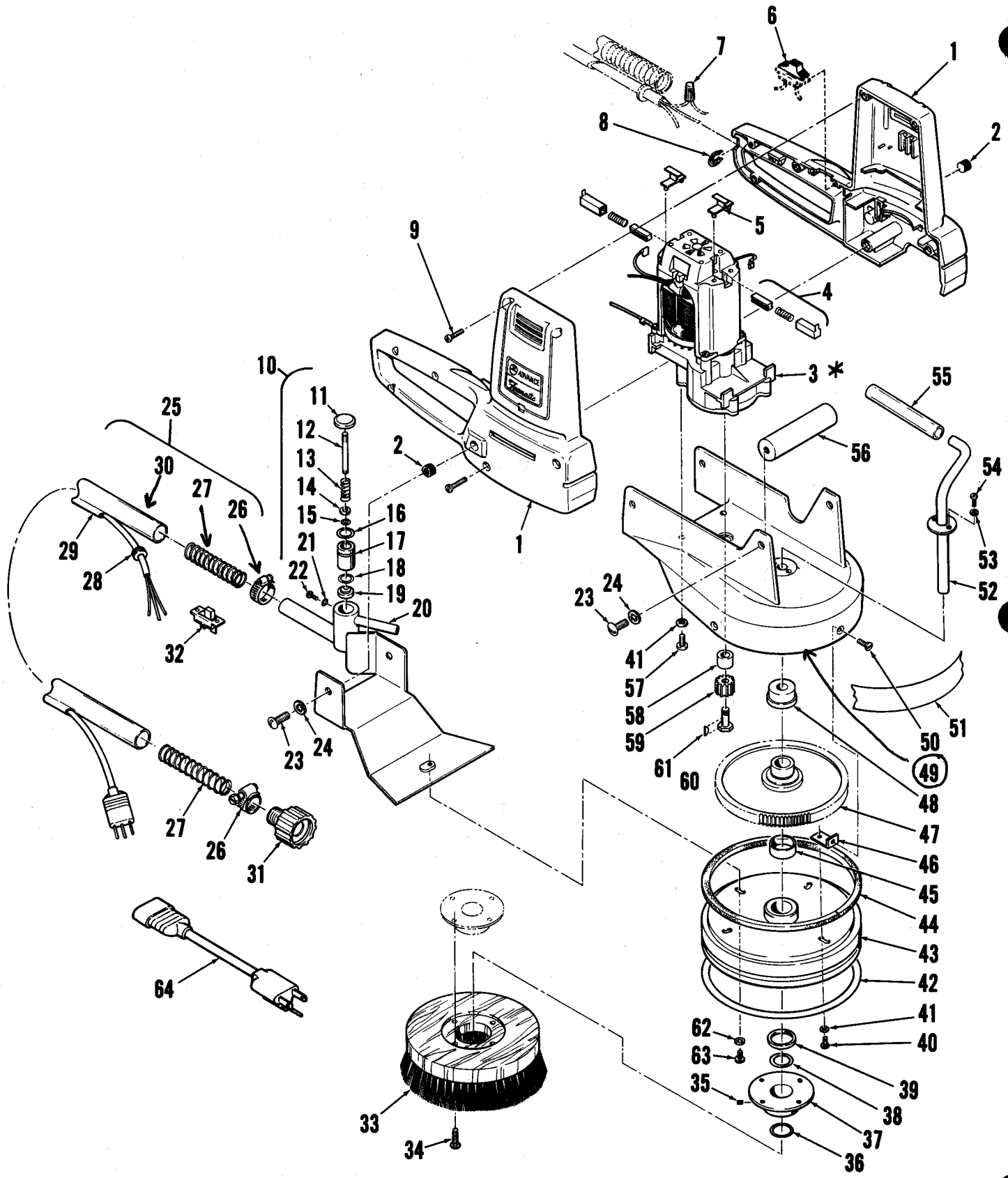


TANK ASSEMBLY

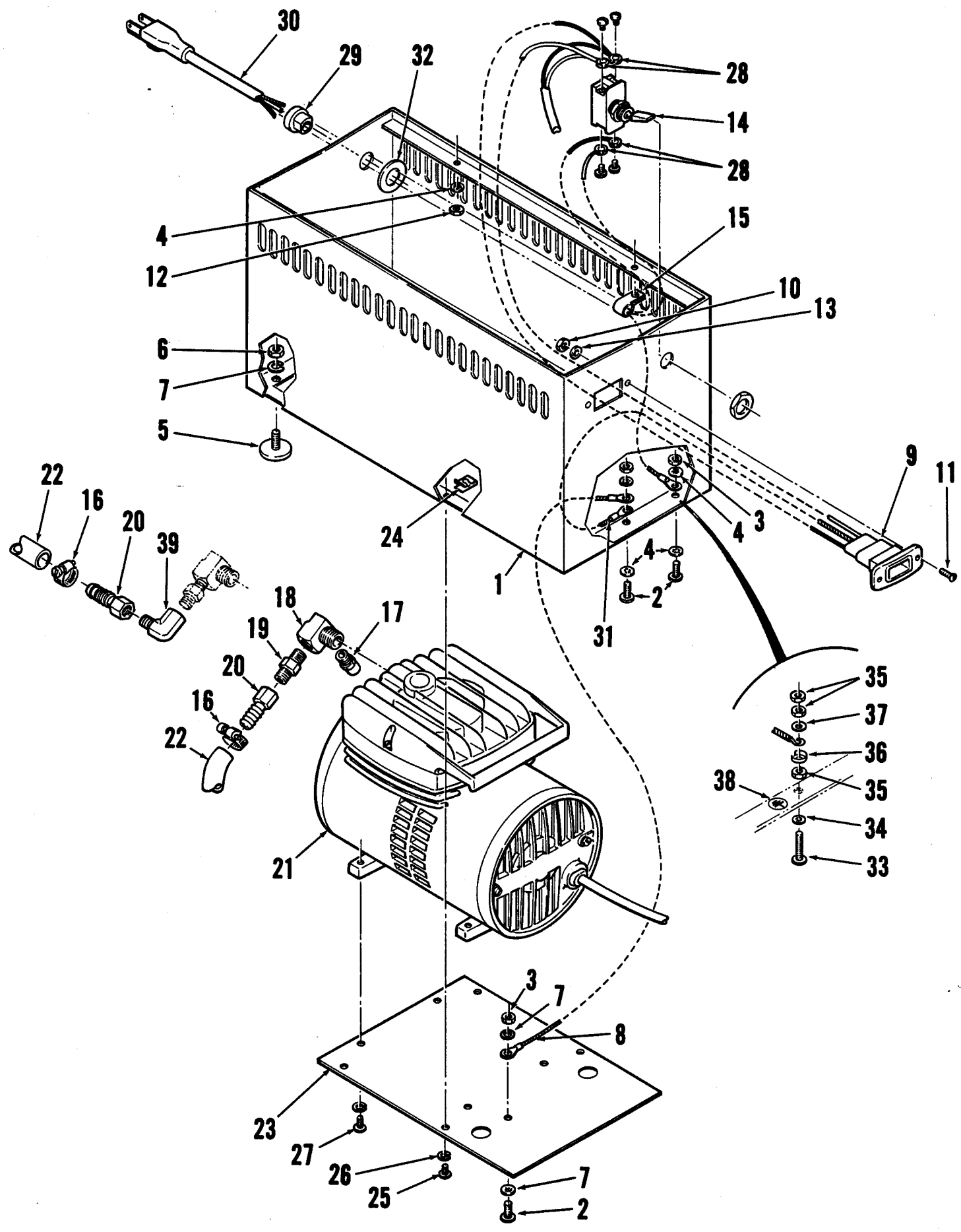
DECAL PLACEMENT

TANK ASSEMBLY

ITEM	PART NO	QTY	DESCRIPTION	ITEM	PART NO	QTY	DESCRIPTION
1	017 050	2	DECAL, Advance	1	254 029	1	TANK ASSEMBLY
2	017 048	2	DECAL, Foamatic	2	254 040	1	TANK, Detergent
3	017 019	2	DECAL, Advance	3	244 863	1	CAP ASSEMBLY, 223
4	017 052	1	DECAL, Power	4	244 979	1	GASKET
5	015 194	1	DECAL, Warning	5	255 076	1	CAP PIPE, GHT
6	015 121	1	DECAL, Instructions	6	244 980	1	ADAPTER, GHTX
7	015 324	1	NAMEPLATE, Advance	7	254 032	1	TUBE ASSEMBLY
8	015 197	1	DECAL, Warning	8	244 969	1	CLAMP, Hose
				9	244 987	1	BUBBLER, FTG.
				10	254 027	2	ADAPTER PLATE
				11		4	SCREW, Pan Hd. #10-32 X 3/8
				12		4	WASHER, Shakeproof #10.
				13	259 500	1	FUNNEL



POWER HEAD ASSEMBLY

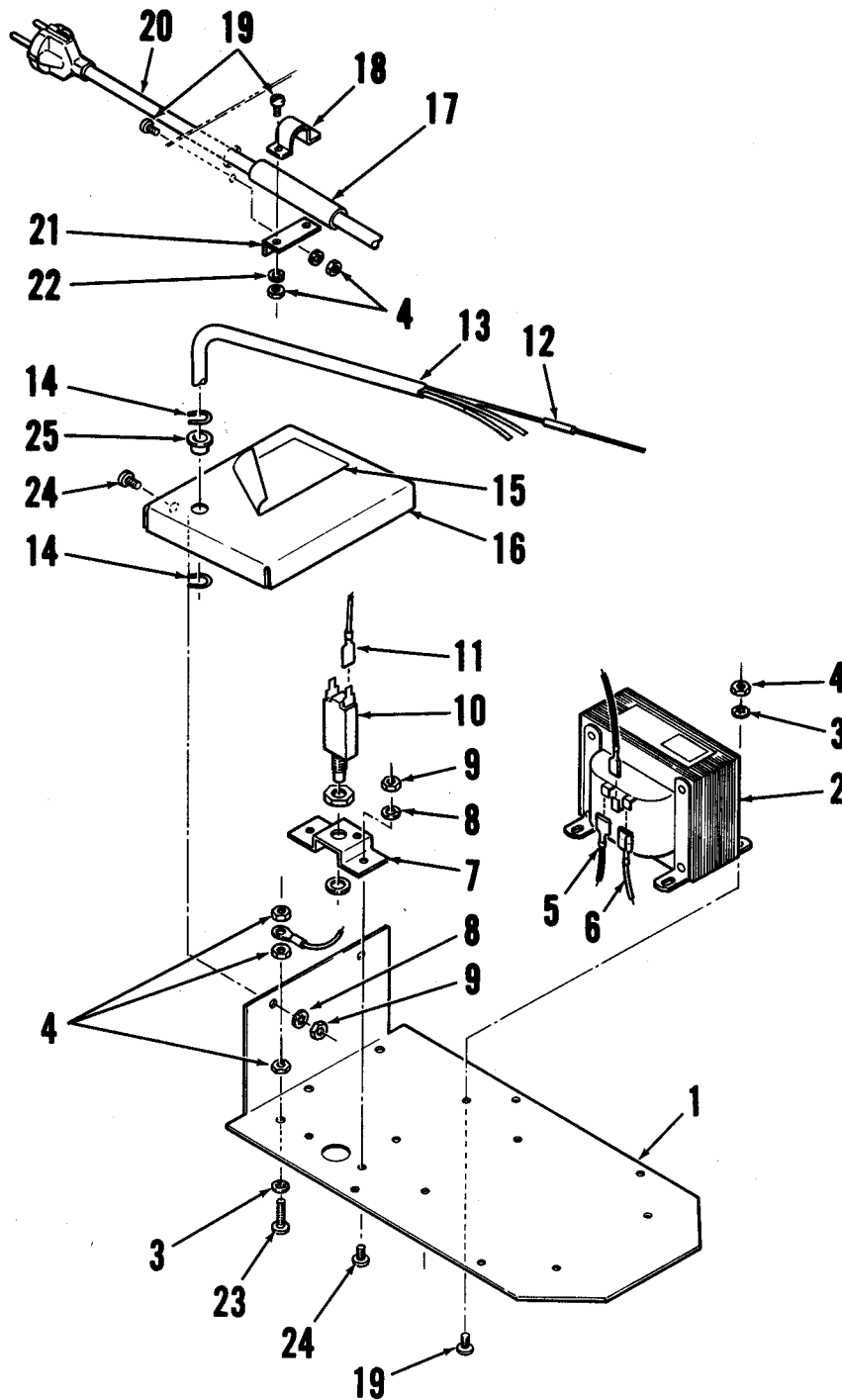


COMPRESSOR ASSEMBLY 115V

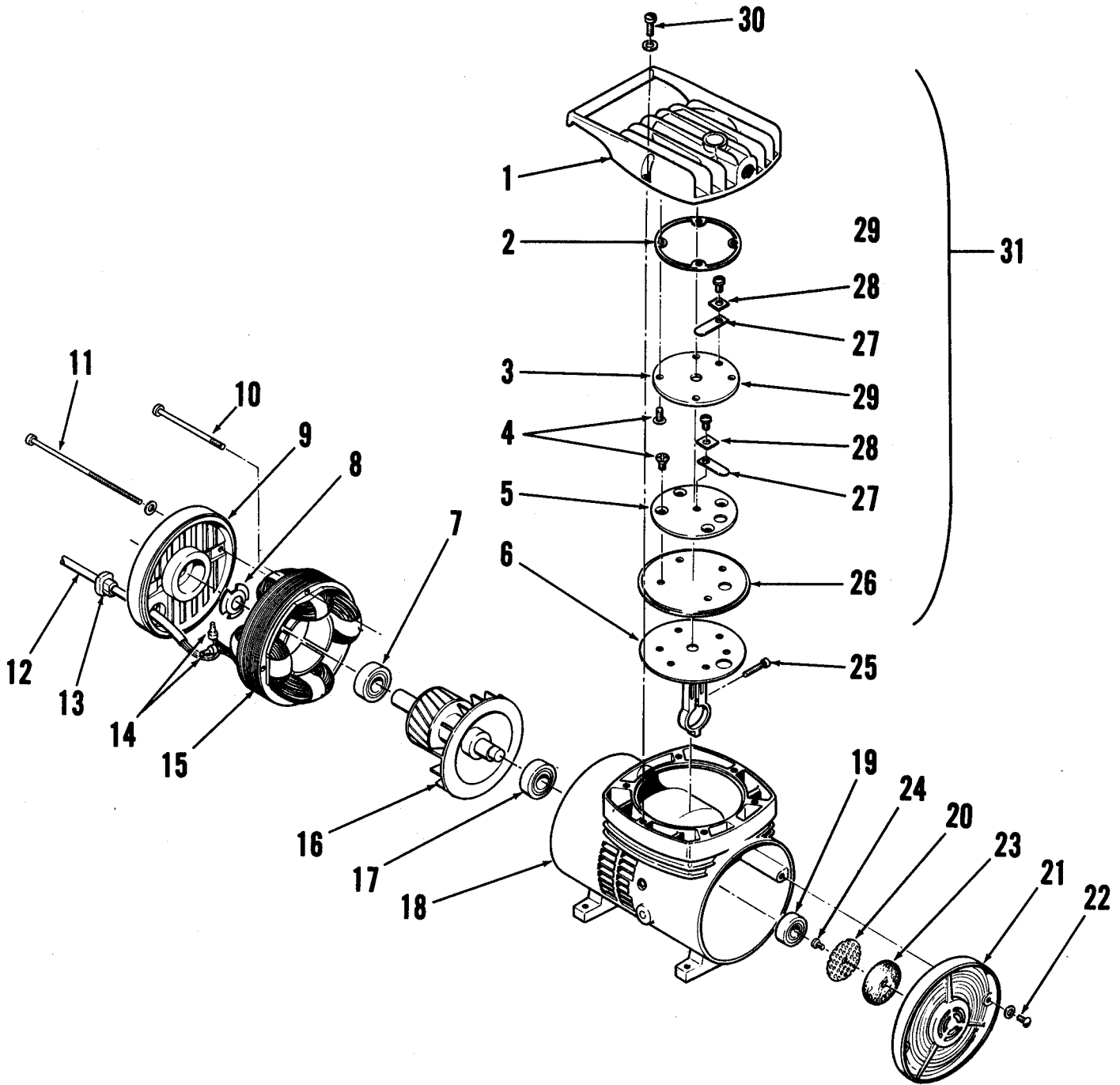
COMPRESSOR ASSEMBLY 115V

ITEM	PART NO	QTY	DESCRIPTION
1	254 031	1	HOUSING, Weldment
2		3	SCREW, 10-24 X 1/2 Pan Hd.
3		3	NUT, Hex 10-24
4		11	WASHER, #10 Shakeproof
5	255 884	4	BUMPER, 1-12 Dia. (Also used on 230V)
6		4	NUT, Hex 1/4-20 (Also used on 230V)
7		4	LOCKWASHER, 1/4 (Also used on 230V)
8	254 088	1	WIRE ASSEMBLY, #14 X 14"
9	245 067	1	RECEPTACLE, 15A
10		2	NUT, Hex 6-32
11		2	SCREW, 6-32 X 3/8 Pan Hd. (Also used on 230V)
12		4	NUT, 10-24
13		2	LOCKWASHER, #6 (Also used on 230V)
14	207 075	1	SWITCH, Toggle DPST
15	300 152	1	CLAMP CORD (Also used on 230V)
16	756 364	2	CLAMP HOSE, SAE #4
17	257 990	1	VALVE RELIEF (Also used on 230V)
18	219 798	1	ELBOW, ST 1/4 (Also used on 230V)
19	218 510	1	VALVE CHECK, 1/4 (Also used on 230V)
20	219 819	1	BARBED INSERT
21	217 867	1	COMPRESSOR, 115/60
	219 215	1	COMPRESSOR, 230/50
22	379 107	1	TUBE, PVC 375 (Also used on 230V)
23	255 866	1	SHIELD, Compressor
24	255 874	4	NUT, Spring #8-32
25		4	SCREW, 8-32 X 3/8 Pan Hd.
26		4	LOCKWASHER, #8
27		4	SCREW, 10-24 X 3/8 Pan Hd.
28	311 229	4	TERMINAL RING, #6
29	163 015	1	STRAIN RELIEF
30	251 550	1	CORD SET, 18/3 X 30 BL
31	325 329	2	TERMINAL RING, #10
32		1	WASHER, 5/8 SAE
			THE FOLLOWING PARTS ARE USED ON THE MODEL 230V 50 CYCLE (ITEMS 33 THROUGH 39)
33		1	SCREW, 8-32 X 3/4 Pan Hd.
34		1	WASHER, Shakeproof #8
35		3	NUT, 8-32 Hex.
36	325 274	1	WASHER, Cupped
37	325 276	1	WASHER, .17 X .38 X .03
38	014 119	1	DECAL, Ground Symbol
39	369 632	1	ELBOW ST. 1/4 X 90 BR

} TSB 519, G-10



ITEM	PART NO	QTY	DESCRIPTION	ITEM	PART NO	QTY	DESCRIPTION
1	254 094	1	SHIELD, Compressor	14	320 358	2	STRAIN RELIEF, .312
2	254 096	1	TRANSFORMER	15	017 064	1	DECAL, Wiring Diagram
3			WASHER, Shakeproof #8	16	254 092	1	COVER
4		16	NUT, 8-32 Hex	17	300 602	1	TUBE, Rubber .375 X 3
5	254 114	1	WIRE ASSEMBLY	18	300 542	1	CLAMP, Cord
6	244 155	1	RECEPTACLE, Tab .250	19		1	SCREW, 8-32 X 3/8 Pan Hd.
7	322 410	1	BRACKET	20	254 120	1	CORD SET
8		10	WASHER, #10 Shakeproof	21	300 540	1	BRACKET
9		4	NUT, 10-24 Hex	22		6	LOCKWASHER, #8
10	290 425	1	BREAKER, Circuit 1.5A	23		3	SCREW, 8-32 X 3/4 Pan Hd.
11	171 490	1	RECEPTACLE, Tab .187	24		8	SCREW, 10-24 X 3/8 Pan Hd.
12	220 590	1	CONNECTOR, Wire	25	327 409	1	BUSHING
13	254 116	1	CORD ASSEMBLY, 18/4 X 32.5				



ITEM	PART NO	QTY	DESCRIPTION	ITEM	PART NO	QTY	DESCRIPTION
1	220 951	1	HEAD	17	220 529	1	BEARING, Ball Housing
2	220 953	1	GASKET	18	220 517	1	HOUSING
3	220 930	1	PLATE, Exhaust Valve	19	220 528	1	BEARING, Connecting Rod
4		8	SCREW, Flat Phillips Hd. 8-32 X 3/8	20	220 516	1	SCREEN
5	220 958	1	PLATE, Intake Valve	21	220 967	1	COVER, Front
6	220 536	1	ROD, Connecting	22		2	SCREW, Rd. Hd. 10-24 X 3/4
7	220 530	1	BEARING, Ball End Cap	23	220 513	1	FILTER
8	220 533	1	LOAD SPRING	24		1	SCREW, Pan Hd. Self Tapping 8-32 X 7/32
9	220 535	1	END CAP	25		1	SCREW, Socket Cap 10-24 X 3/4
10	220 522	2	SCREW	26	220 950	1	DIAPHRAGM
11	220 509	2	SCREW	27	220 955	2	FLAPPER, Valve
12	220 511	1	CORD	28	220 963	2	VALVEKEEPER STRIP
13	163 015	1	STRAIN RELIEF	29		2	SCREW, Rd. Hd. 6-32 X 1/8
14	321 737	2	WIRE NUT	30		6	SCREW, Fillister Hd. 10-24 X 1/2
15	220 518	1	STATOR, 115V (60 Cycle)	31	217 867	1	COMPRESSOR ASSEMBLY, 115V (60 Cycle)
	220 519	1	STATOR, 230V (50 Cycle)		219 215	1	COMPRESSOR ASSEMBLY, 230V (50 Cycle)
16	220 534	1	SHAFT & ROTOR ASSEMBLY				

COMPRESSOR