

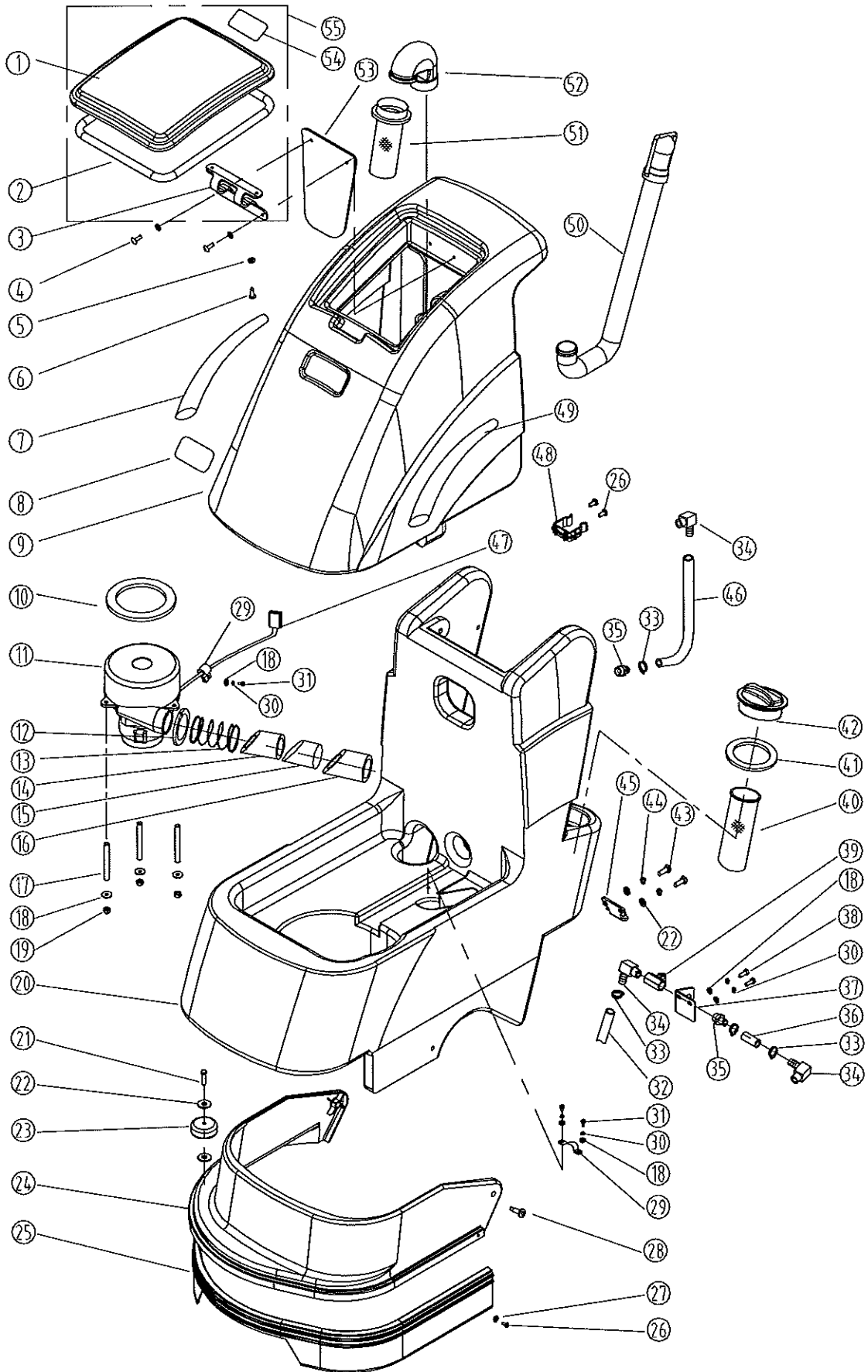
VIPER

FANG

FANG18C

18" CORD ELECTRIC
AUTOSCRUBBER

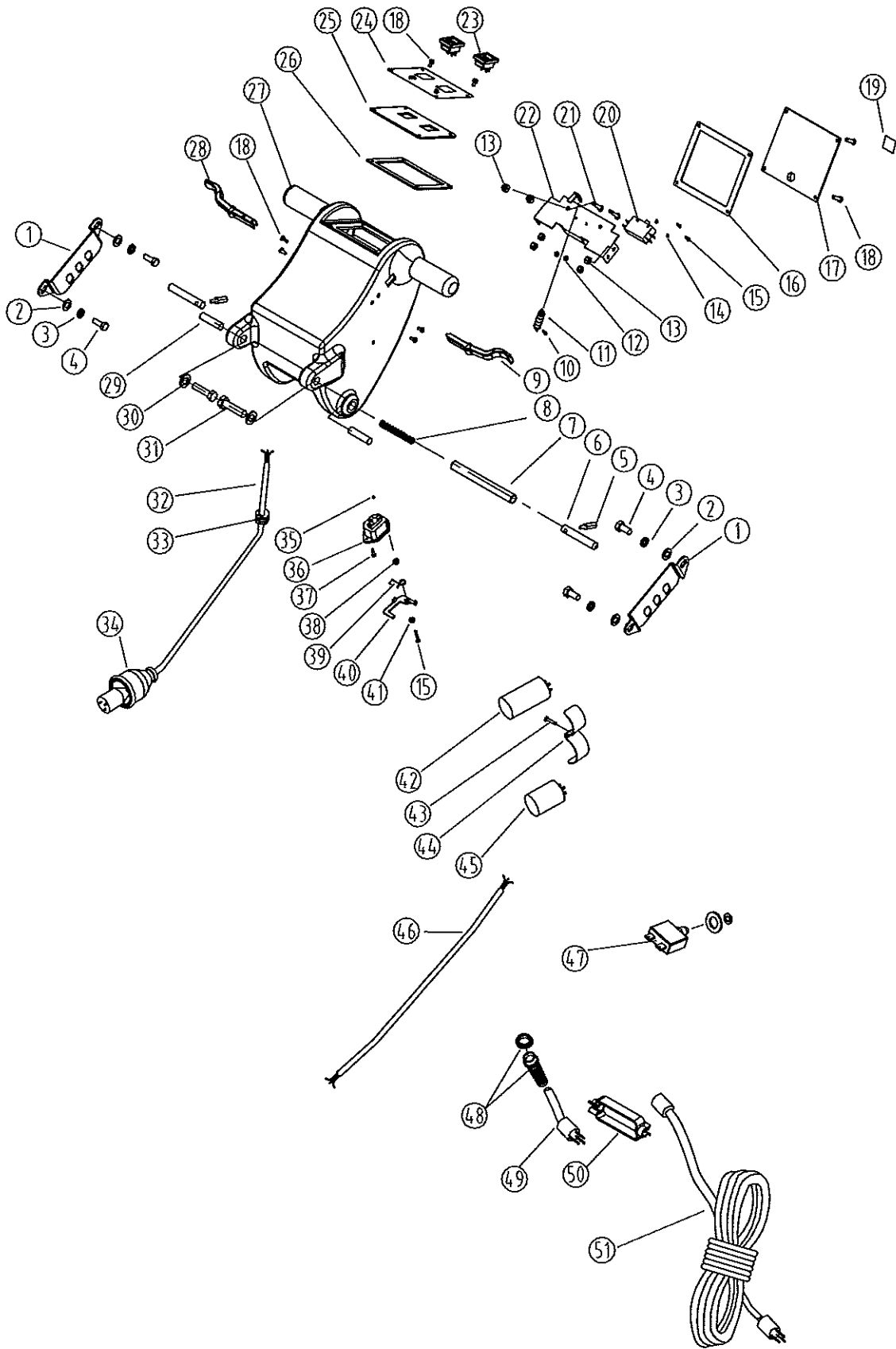
PARTS LIST



RECOVERY & SOLUTION TANKS - FANG 18C - LIST PF

DIA NO.	PART NUMBER	DESCRIPTION	NO. REQ'D
1	VF82010	CLEAR COVER, RECOVERY TANK	1
2	VF82010B	GASKET, CLEAR DOME	1
3	VF82010A	RUBBER HINGE	1
4	VF13491	SCREW, PH, M4 X 12	2
5	VA13483	WASHER, PLAIN, M4	4
6	VA13477	SCREW, SST, M4.2 X 16	2
7	VF80343A	MODEL DECAL, RIGHT	1
8	VF80326A	VIPER LOGO	1
9	VF80302	RECOVERY TANK	1
10	VF81503	GASKET, MOTOR	1
11	ZD55000A	VACUUM MOTOR, 110V	1
12	VV10116	TIE	3
13	VF80346	SPRING	1
14	VF80356	FILTER, EXHAUST	1
15	VF80358	PLASTIC COVER	1
16	VF80357	COVER, HEAT RESISTANT	1
17	VF82310	BOLT	3
18	VF13533	WASHER, PLAIN, M6	7
19	VF13502	NUT, NYLON INSERT, M6	3
20	VF80301	SOLUTION TANK	1
21	VF14236	BOLT, M8 X 40	1
22	VF13514A	WASHER, PLAIN, M8	4
23	VF82013	WHEEL, 3"	1
24	VF80308	SKIRT	1
25	VF80319A	BUMPER	1
26	VV20501	SCREW, PH, M5 X 14	4
27	VV13654	WASHER, PLAIN, M5 X M9.5 X 0.8	2
28	VF80355	SHOULDER SCREW, M10 X 16 X M8	2
29	VV50712	CLAMP	1
30	VV13607	WASHER, LOCK, M6	4
31	VF14200	SCREW, PH, M6 X 16	4
32	VF80349	HOSE, OUTLET, BALL VALVE	1
33	VF82090	CLAMP, HOSE	4
34	VF81403A	HOSE BARB, BRASS	2
35	VF80313	HOSE BARB	3
36	VF80348	HOSE	1
37	VF80321	MOUNTING PLATE, BALL VALVE	1
38	VF13495	BOLT, M6 X 16	2
39	VF80361	BALL VALVE	1
40	VF46454	FILTER	1
41	VF80306	SEAL	1
42	VF80304	FILL	1
43	VV13604	BOLT, M8 X 20	2
44	VF13519	WASHER, LOCK, M8	2
45	VF80359	CLAMP, SQUEEGEE	1
46	VF80347	SOLUTION HOSE	1
47	VF45117C	CORD	1
48	GV70034	CLAMP DRAIN HOSE	1
49	VF80342A	MODEL LABEL, LEFT	1
50	VA93208A	DRAIN HOSE	1
51	VF81504	FLOAT, SHUTOFF	1
52	VV67305	BEND	1
53	VF80345	SCREEN	1
54	VF80331	WARNING LABEL	1
55	VF82010X	KIT, CLEAR DOME	1

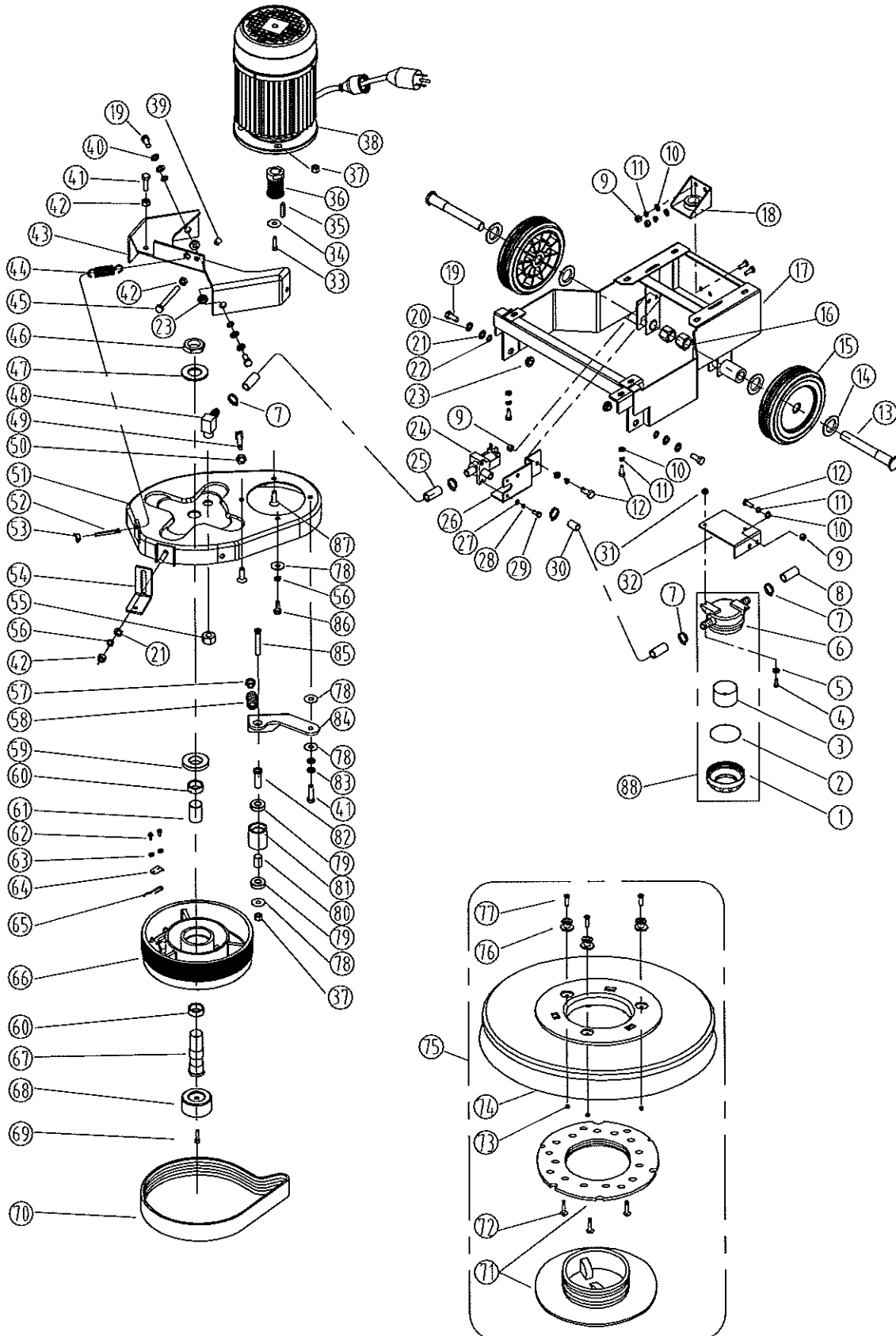
PARTS LIST



CONTROL HOUSING - FANG 18C

DIA NO.	PART NUMBER	DESCRIPTION	NO. REQ'D
1	VF81408	ADJUSTING PLATE	2
2	VF13535	WASHER, PLAIN, M8	3
3	VF13519	WASHER, LOCK, M8	4
4	VV13604	BOLT, M8 X 20	4
5	VF81710	ADJUSTING SCREW	2
6	VF80322	PIN, HANDLE LOCK	2
7	VF80323	TUBE, HANDLE ADJUSTMENT	1
8	VF81716	SPRING	1
9	VF80317	LEVER, SWITCH, LEFT	1
10	VV13650	SCREW, PH, M4 X 10	9
11	VF81712	SPRING	1
12	VV13652	NUT, NYLON INSERT, M3	2
13	VF13502	NUT, NYLON INSERT, M6	6
14	VF13511	WASHER, PLAIN, M3	2
15	VF14212	SCREW, PH, M3 X 25	2
16	VF80335	GASKET, REAR COVER	1
17	VF80310	REAR COVER	1
18	VF14200	SCREW, PH, M6 X 16	4
19	VF80329	DECAL, SERIAL	1
20	VF44203	SWITCH ASSEMBLY	1
21	VF81711	SHOULDER SCREW, M8 X 20 X M6	2
22	VF80307	MOUNTING FRAME, SWITCH	1
23	VA91346	SWITCH	1
24	VF80324A	DECAL, SWITCH	1
25	VF80305	SWITCH PANEL	1
26	VF80333	GASKET, PANEL	1
27	VF80303	CONTROL HOUSING	1
28	VF80318	LEVER, SWITCH, RIGHT	1
29	VF81713	BUSHING	1
30	VF13537	WASHER, PLAIN, M10	1
31	VF14237	BOLT, M10 X 70	1
32	VF45120	CORD	1
33	VV30182	BUSHING, CORD	1
34	AS41902	PLUG PROTECTOR, FEMALE	1
35	VV13617	NUT, M3	1
36	VF51141	RECEPTICAL	1
37	GT13065	SCREW, ST, M3 X 12	1
38	VF46716	BUSHING	1
39	VF46718	SPRING	1
40	VF46715	BARB	1
41	VF46717	WASHER	1
42	VV30142	RUN CAPACITOR, 40uF/375V	1
43	GT13027	SCREW, PH, M5 X 45	1
44	VF80365	CLAMP	1
45	VF999805	START CAPACITOR, 380-400uF / 150V	1
46	VF80369	CORD, JUMP	1
47	VF99010C	CIRCUIT BREAKER, BRUSH	1
48	VF99008B	STRAIN RELIEF	1
49	VV67507	CABLE, PIG TAIL	1
50	VV67105	CONNECTOR, CORD	1
51	VF80362C	POWER CORD	1

PARTS LIST

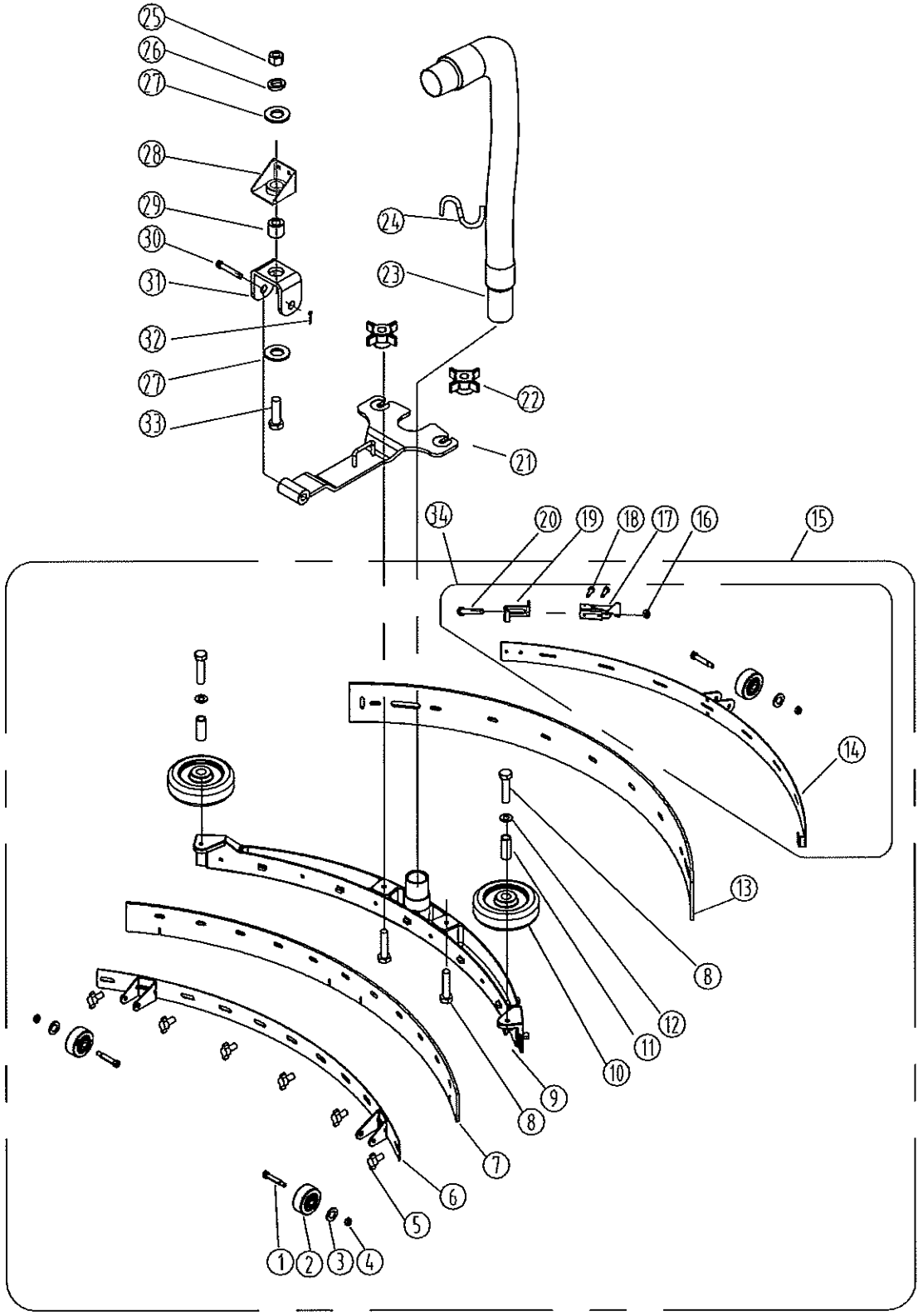


WHEELS & BRUSH DRIVE - FANG 18C

DIA NO.	PART NUMBER	DESCRIPTION	NO. REQ'D
1	VF80111	CLEAR COVER, FILTER (2/75" / VIP)	1
	HP1011	CLEAR COVER, FILTER (1.5" / HY PRO)	1
2	VF82139	"O" RING (2.75" / VIP)	1
	HP1013	"O" RING (1.5" / HY PRO)	1
3	VF80113	MESH FILTER (2.75" / VIP)	1
	HP1012	MESH FILTER (1.5" / HY PRO)	1
4	VV20501	SCREW, PH, SST, M5 X 14	2
5	VV13654	WASHER, SST, M5	2
6	VF80112	MOUNTING BASE, FILTER (2.75" / BLK / VIP)	1
	HP1014	MOUNTING BASE, FILTER (1.5" / WHITE / HY PRO)	1
7	VF82090	CLAMP, HOSE	5
8	VF80349	HOSE, INLET, FILTER	1
9	VF13521	NUT, M6	12
10	VF13533	WASHER, M6	12
11	VV13607	WASHER, LOCK, M6	12
12	VF13495	SCREW, M6 X 16	12
13	VF80123	AXLE, WHEEL	2
14	VF80117	WASHER, WHEEL	4
15	VF80115	WHEEL, 6"	2
16	VF14257	NUT, NYLON INSERT, M16	2
17	VF80110	CHASSIS	1
18	VF80109	CONNECTOR	1
19	VV13604	SCREW, HEX, M8 X 20	4
20	VF14313	WASHER, INTERNAL TOOTH, M8	2
21	VF13514A	WASHER, PLAIN, M8	5
22	VF80130	WASHER, M8	4
23	VF80132	BUSHING	4
24	VF80216A	SOLUTION VALVE, 110V	1
25	VF80238	HOSE, OUTLET, VALVE	1
26	VF80119	MOUNTING FRAME, VALVE	1
27	VA13483	WASHER, PLAIN, M4	2
28	VV20291	WASHER, LOCK, M4	2
29	VA13473	SCREW, PH, M4 X 16	2
30	VF80114B	OUTLET FILTER	1
31	GT13022	NUT, NYLON INSERT, M5	2
32	VF80120	MOUNTING PLATE, FILTER	1
33	VV60220S1	HEX SOCKET SCREW, M6 X 15	1
34	VF80207	WASHER, PLAIN, BRASS	1
35	VF80240	KEY	1
36	VF80220	DRIVING PULLEY	1
37	VF13503	NUT, NYLON INSERT, M8	5
38	YCQ35000A	MOTOR, 110V	1
39	VF80241	GASKET	1
40	VF14314	WASHER, EXTERNAL TOOTH, M8	2
41	GT13018	BOLT, M8 X 30	2
42	VF13513	NUT, M8	3
43	VF80206	SUPPORTING SHELF	1
44	VF80237	SPRING	1

DIA NO.	PART NUMBER	DESCRIPTION	NO. REQ'D
45	VF14114	BOLT, M8 X 55	1
46	VF80222	THIN NUT	1
47	VF14315	WASHER, PLAIN, M24	1
48	VF81403	BARB, HOSE, 90°DEG	1
49	VF14255	SET SCREW, M12 X 65	1
50	VF14057A	NUT, M12	1
51	VF80201	FRAME	1
52	VF80225	BOLT	1
53	VF14101	NUT, BUTTERFLY, M6	1
54	VF80203	SLIDING PLATE	1
55	VF80213	NUT, BRASS	1
56	VF13519	WASHER, LOCK, M8	2
57	VF80235	SPACER	1
58	VF80232	SPRING	1
59	VF80223	SPACER	1
60	VF999827	BEARING, 6205	1
61	VF80221	SPACER, LARGE	1
62	VV20509	SCREW, PH, M5 X 10	2
63	VV13601	WASHER, LOCK, M5	2
64	VF83131	CLAMP	1
65	VF80262	SPRING WIRE	1
66	VF80205	DRIVEN PULLEY	1
67	VF80219	SHAFT, DRIVEN PULLEY	1
68	VF80233	GASKET	1
69	GT13015	SCREW, STAINLESS STEEL, HEX, M6 X 30	1
70	VF80242	BELT	1
71	VF99003A	BIG MOUTH	1
72	VF14400	SCREW, SST, M4.2 X 13	3
73	VF13502	NUT, NYLON INSERT, M6	3
74	VF80212	PAD HOLDER	1
75	VF80212B	PAD HOLDER ASSY	1
	VF80211B	POLY SCRUB BRUSH, 17" (OPTIONAL)	1
76	VF80218	BLOCK	3
77	VF14225A	SCREW, FH, M6 X 40	3
78	VF13535	WASHER, PLAIN, M8 X M20 X 2	4
79	VF999821	BEARING, 6002LU	2
80	VF80209	SMALL SPACER	1
81	VF80215	TENSION WHEEL	1
82	VF80214	BUSHING BEARING	1
83	VF14312	WAVE WASHER, M8	2
84	VF80208	ROD, TENSION WHEEL	1
85	GT13066	SCREW, HEX, SOCKET, M8 X 55	1
86	VV13657	BOLT, M8 X 25	1
87	GT13067	SCREW, HEX, SOCKET, M8 X 25	2
88	VF80111A	KIT, FILTER ASSEMBLY (2.75" / VIP)	1
	HP1016	KIT, FILTER ASSEMBLY (1.5" / HY PRO)	1

PARTS LIST



SQUEEGEE ASSEMBLY - FANG 18C

DIA NO.	PART NUMBER	DESCRIPTION	NO. REQ'D
1	VF81222	SHOULDER SCREW, HEX SOCKET, 5/16 X 1.25"	3
2	VF81219	WHEEL, 2"	3
3	VF13535	WASHER, PLAIN, M8 X M20 X 2	3
4	VV20203	NUT, NYLON INSERT, 5/16"	3
5	VF82121	KNOB, M6	6
6	VF82118	BACK UP STRIP, SQUEEGEE, FRONT	1
7	VF82062	BLADE, SQUEEGEE, FRONT (PU)	1
	VF82117	BLADE, SQUEEGEE, FRONT (NEOPRENE)	1
8	VF14236	BOLT, M8 X 40	4
9	VF82116	HOUSING, SQUEEGEE	1
10	VF82013	WHEEL, 3"	2
11	VF82055	BUSHING	2
12	VF13514A	WASHER, PLAIN, M8 X M16.5 X 1	2
13	VF82063	BLADE, SQUEEGEE, REAR (PU)	1
	VF82119	BLADE, SQUEEGEE, REAR (NEOPRENE)	1
14	VF82120	BACK UP STRIP, SQUEEGEE, REAR	1
15	VF82908A	SQUEEGEE ASSY	1
16	GT13022	NUT, NYLON INSERT, M5	1
17	VF81218	LATCH, HOOD	1
18	VF81208	RIVET, M4 X 5	2
19	VF81209	HOOK, REAR SQUEEGEE, BACKUP ADJUSTMENT	1
20	VF14305	SCREW, M5 X 60	1
21	VF80422	BRACKET, SQUEEGEE, MOUNT	1
22	VF81210	KNOB, M8	2
23	VF80425	HOSE	1
24	VF83150	HOLDER, "U" HOSE	1
25	VF14057A	NUT, M12	1
26	VF13541	WASHER, LOCK, M12	1
27	VV20434	WASHER, PLAIN, M13 X M30 X 3	2
28	VF80109	CONNECTOR	1
29	VF80427	BUSHING	1
30	VF14094	PIN, M12 X 70	4
31	VF80426	"U" SHAPE FRAME	1
32	VF14095	PIN, M4	1
33	GT13085	BOLT, M12 X 40	1
34	VF82120A	BACKUP STRIP, ASSEMBLY	1