

VIPER

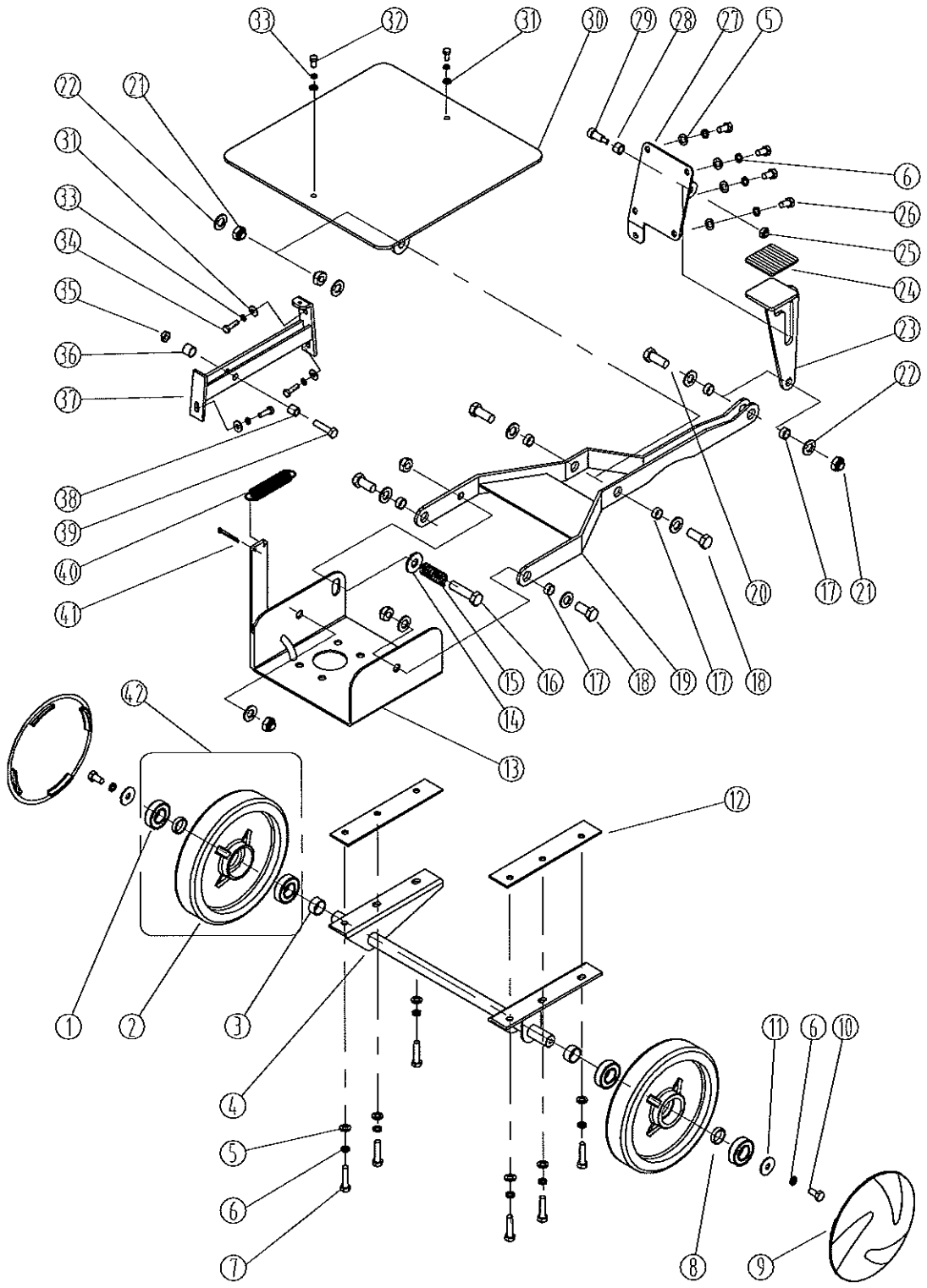
FANG

FANG20/20T

20" AUTOSCRUBBER

PARTS LIST

BRUSH LIFT / WHEEL AXLE GROUP FOR FANG 20

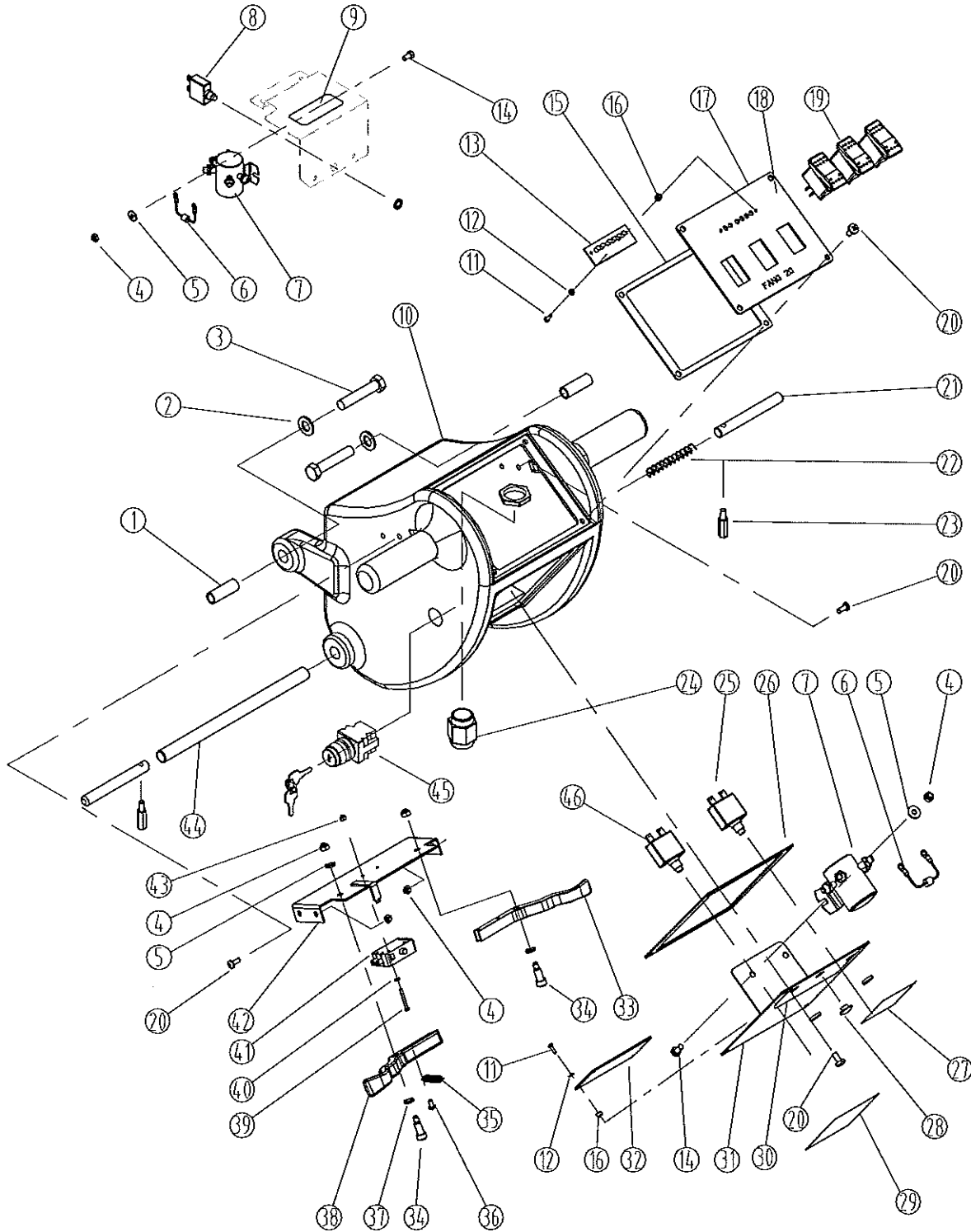


BRUSH LIFT / WHEEL AXLE GROUP FOR FANG20

DIA NO	PART NUMBER	DESCRIPTION	NO REQ'D
1	VF14075	BEARING, #6004	4
2	VF82005	WHEEL, 8"	2
3	VF82101	BUSHING	2
4	VF82104	SHAFT	1
5	VF13535	WASHER, PLAIN, M8 X M20 X 2	10
6	VF13519	WASHER, LOCK, M8	12
7	VA13491	SCREW, M8X25	6
8	VF82113	BUSHING	2
9	VF82080	HUB CAP	2
10	VF14234	SCREW, M8X16	2
11	VF13542	WASHER, PLAIN, M8 X M26 X 2	2
12	VF82008	SPACER	2
13	VF82017	BRACKET, MOTOR	1
14	VF82065	OILITE THRUST WASHER	1
15	VF82064	SPRING	1
16	VF14240	SCREW, M12 X 60	1
17	VF82016A	BUSHING	6
18	VF14238	SCREW, M12 X 30	4
19	VF82016	BRACKET, BRUSH LIFT	1
20	VF14239	SCREW, M12 X 35	1
21	VF13501	NUT, LOCK, M12	6
22	VF13538	WASHER, PLAIN, M12 X M22 X 2	5
23	VF82020	LATCH, BRUSH LIFT	1
24	VF81111	SPACER, RUBBER	1
25	VV20203	NUT, LOCK, 5/16"	1
26	VV13604	SCREW, M8 X 20	4
27	VF82021	BRACKET, BRUSH LIFT LATCH	1
28	VF82021A	BUSHING	1
29	VF82021B	BOLT, SHOULDER	1
30	VF82023	MOUNT PLATE, BRUSH LIFT LATCH	1
31	VF13533	WASHER, PLAIN, M6 X M16 X 2	5
32	VF13495	SCREW, M6 X 16	2
33	VV13607	WASHER, LOCK, M6	5
34	VF14233	SCREW, M6 X 20	3
35	VF13503	NUT, LOCK, M8	1
36	VF82018A	BUSHING	1
37	VF82018	ROLLER BRACKET, BRUSH LIFT	1
38	VF82018B	BUSHING	1
39	VF14236	SCREW, M8 X 40	1
40	VF81120	SPRING	1
41	VA14303	PIN, M4 X 40	1
42	VF82005A	KIT, WHEEL, 8"	1

PARTS LIST

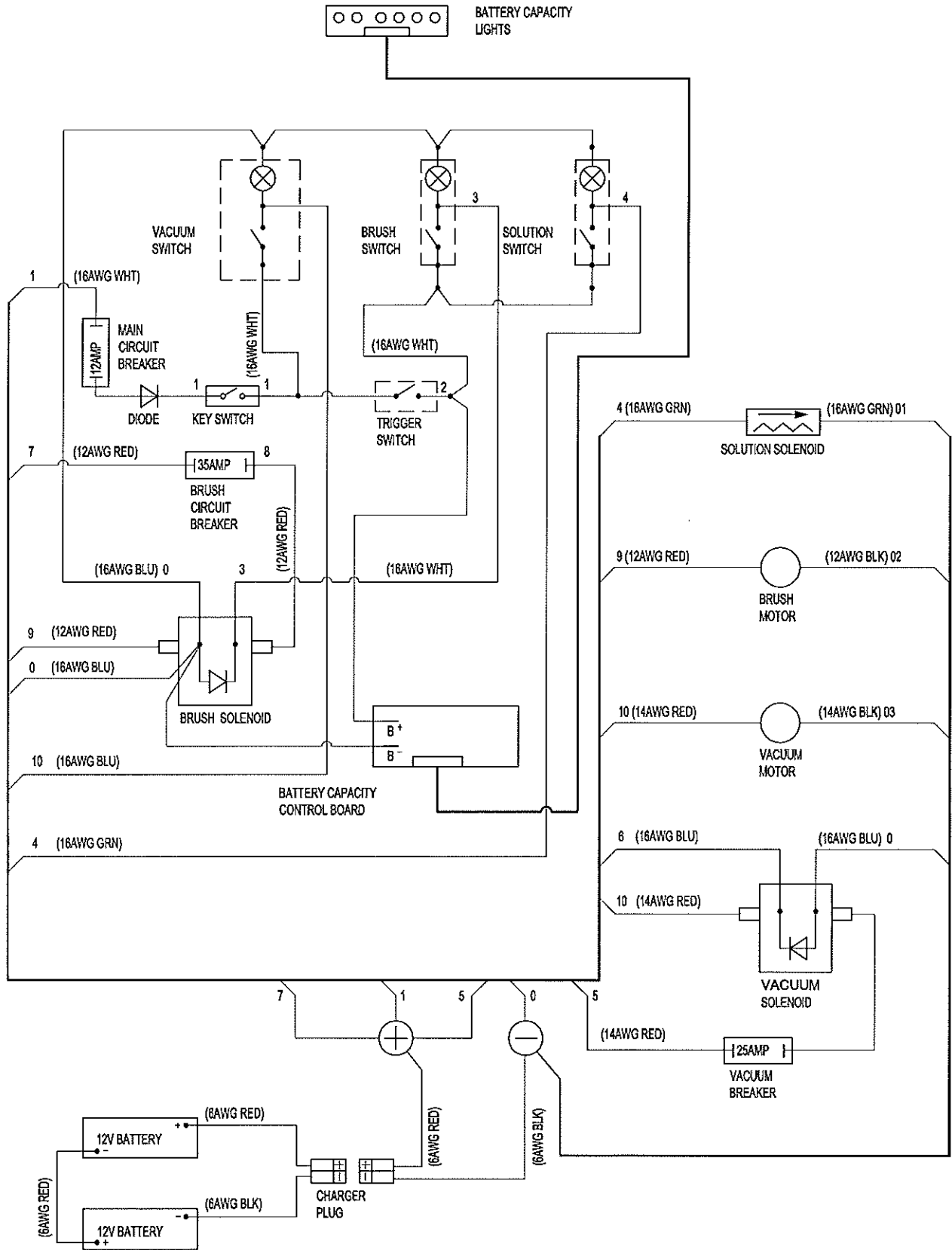
CONTROL CONSOLE GROUP FOR FANG 20



CONTROL CONSOLE - FANG20

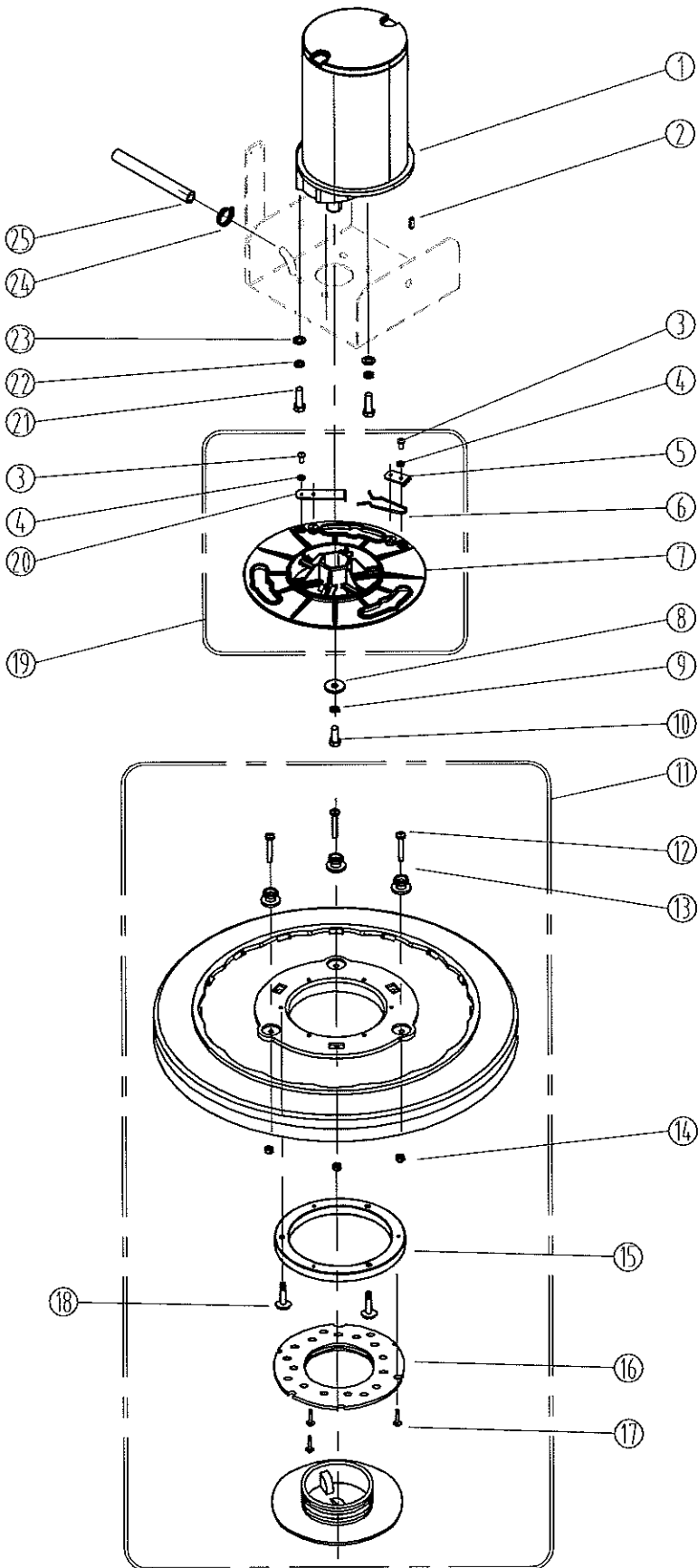
DIA NO	PART NUMBER	DESCRIPTION	NO REQ'D
1	VF81713	BUSHING	2
2	VF14122	WASHER, PLAIN, M10 X M20 X 2	2
3	VF14121	SCREW, M10X65	2
4	VF13502	NUT, LOCK, M6	10
5	GT13032	WASHER, PLAIN, M6	2
6	VF81781	DIODE, 400V	3
7	VF81726	SOLENOID, 24V	2
8	VF81734	BREAKER, CIRCUIT, 25 AMP	1
9	VF83149	LABEL, CIRCUIT BREAKER	1
10	VF82108	HOUSING, CONTROL	1
11	VF14078	SCREW, M3 X 10	6
12	VA50477	WASHER, PLAIN, M3 X M10 X 1	6
13	VF81718	LIGHTS, BATTERY CAPACITY	1
14	VF13495	SCREW, M6 X 16	4
15	VF82313	GASKET	1
16	VF81719	SPACER	6
17	VF82102A	PANEL, SWITCH	1
18	VF82103A	LABEL, SWITCH	1
19	VF81721	SWITCH, LIGHTED ROCKER	3
20	VF14200	SCREW, M6 X 16	12
21	VF81709	PIN, HANDLE LOCK	2
22	VF81716	SPRING	1
23	VF81710	PIN, HANDLE ADJUSTMENT	2
24	VF81744	STRAIN RELIEF, CORD	1
25	VF81734	BREAKER, CIRCUIT, 35 AMP	1
26	VF82312	GASKET	1
27	VF82085	SERIAL TAG	1
28	GV40239	COVER	1
29	VF82083	DECAL, BATTERY WARNING	1
30	VF83148	LABEL, CIRCUIT BREAKER	1
31	VF82105	PANEL, CONTROL HOUSING	1
32	VF81703	BATTERY CAPACITY, CONTROL BOARD	1
33	VF82107	HANDLE, RIGHT	1
34	VF81711	BOLT, SHOULDER, M8 X 15 X M6	2
35	VF81712	SPRING	1
36	VF13491	SCREW, M4 X 12	1
37	VF13514A	WASHER, PLAIN, M8 X M16.5 X 1	2
38	VF82106	HANDLE, LEFT	1
39	VF14212	SCREW, M3 X 25	2
40	VF13511	WASHER, TOOTH, M3	2
41	VF44203	SWITCH ASSY	1
42	VF83141	BRACKET, SWITCH	1
43	VV13652	NUT, LOCK, M3	2
44	VF81714	TUBE, HANDLE ADJUSTMENT	1
45	VF82153	KIT, KEY SWITCH	1
46	VF99012	BREAKER, CIRCUIT, 12 AMP	1

WIRING DIAGRAM FOR FANG 20



PARTS LIST

FANG 20 & FANG 20T - BRUSH / PAD DRIVE ASSEMBLY

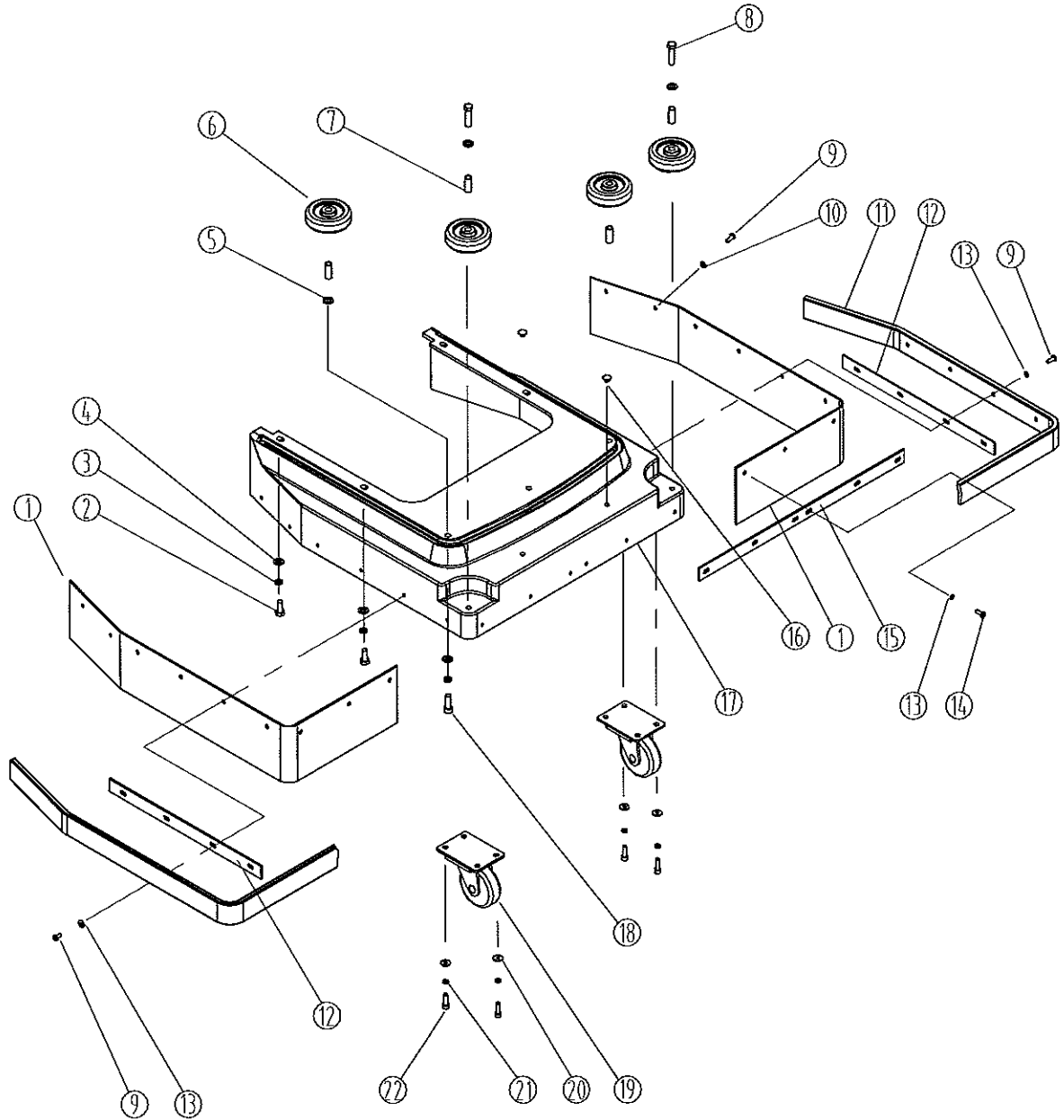


BRUSH & PAD DRIVE ASSY - FANG 20 & FANG 20T

DIA NO	PART NUMBER	DESCRIPTION	NO REQ'D
1	ZD45000	BRUSH MOTOR, 24VDC, .75HP	1
2	ZD45407	KEY, 6.35 X 25	1
3	VF13545	SELF-TAPPING SCREW, ST, M5 X 10	4
4	VV13601	WASHER, LOCK, M5	4
5	VF83131	CLAMP, BRUSH PLATE	1
6	VF83132	SPRING	1
7	VF83130	PLATE, DRIVE	1
8	VF82058	WASHER	1
9	VV20298	WASHER, LOCK, 5/16"	1
10	VF14241	SCREW, 5/16" X 1"	1
11	VF82057	PAD DRIVER, 19"	1
	VF82056	POLY SCRUB BRUSH, 19" (OPTIONAL)	1
12	VF14225A	SCREW, M6 X 40	3
13	VF83133	STUD	3
14	VF13502	NUT, LOCK, M6	3
15	VF83118	SPACER	1
16	VF99003A	BIG MOUTH	1
17	VA13484	SELF-TAPPING SCREW, ST, M4 X 12	3
18	MF-VF002-4A	SELF-TAPPING SCREW, 1/4" X 1"	3
19	VF83130A	DRIVE PLATE, COMPLETE ASSEMBLY	1
20	VF83134	STOP, DRIVE RELEASE	1
21	VF14242	SCREW, 3/8" X 1	4
22	VV13620	WASHER, LOCK, 3/8"	4
23	VF13537	WASHER, PLAIN, M10 X M26 X 2	4
24	VV10114	CLAMP, 10-16mm	1
25	VF82077	TUBING, 55mm	1

PARTS LIST

BRUSH SKIRT GROUP FOR FANG 20 & FANG 20T

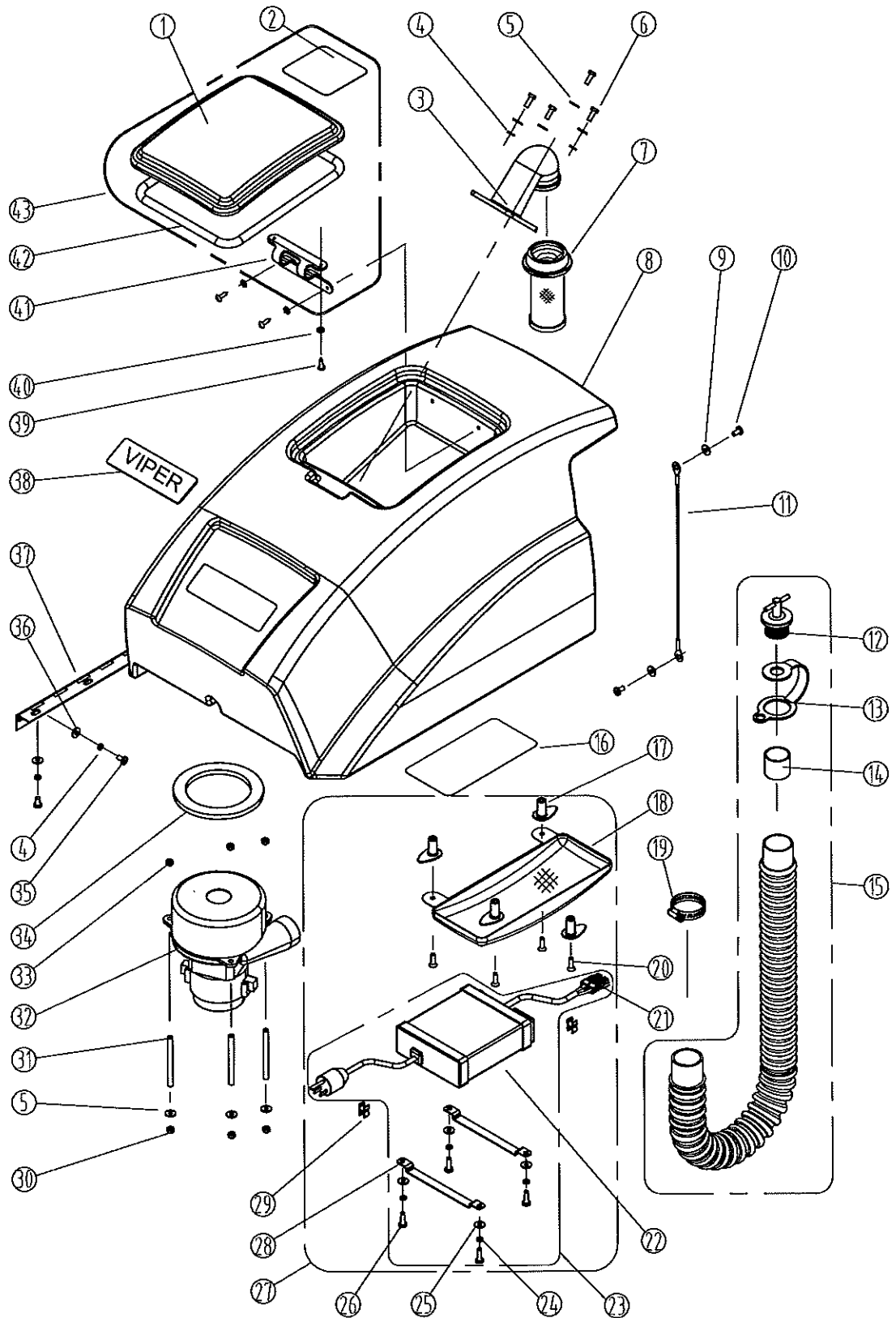


BRUSH SKIRT ASSEMBLY - FANG 20 & FANG 20T

DIA NO	PART NUMBER	DESCRIPTION	NO REQ'D
1	VF82014	BUMPER	2
2	VA13491	SCREW, M8 X 25	5
3	VF13519	WASHER, LOCK, M8	7
4	VF13535	WASHER, PLAIN, M8 X M20 X 2	7
5	VF13514A	WASHER, PLAIN, M8 X M16.5 X 1	4
6	VF82013	WHEEL, 3"	4
7	VF82055	BUSHING	4
8	VF14236	SCREW, M8 X 40	2
9	VA13474	SCREW, M5 X 16	14
10	VF13550	WASHER, PLAIN, M5 X M25 X 1.5	4
11	VF82068	GRIP, BUMPER	1
12	VF82127	CLAMP, BUMPER	2
13	VA13400	WASHER, PLAIN, M5 X M11 X 1	14
14	VV20509	SCREW, M5 X 10	4
15	VF82126	CLAMP, BUMPER	1
16	VF82060	COVER	2
17	VF82003	SKIRT	1
18	VF14243	SCREW, M8 X 45	2
19	VF82012A	CASTER, SWIVEL, 3"	2
20	VF13533	WASHER, PLAIN, M6	8
21	VV13607	WASHER, LOCK, M6	8
22	VF14233	SCREW, M6 X 20	8

PARTS LIST

FANG 20 & FANG 20T - RECOVERY TANK ASSEMBLY

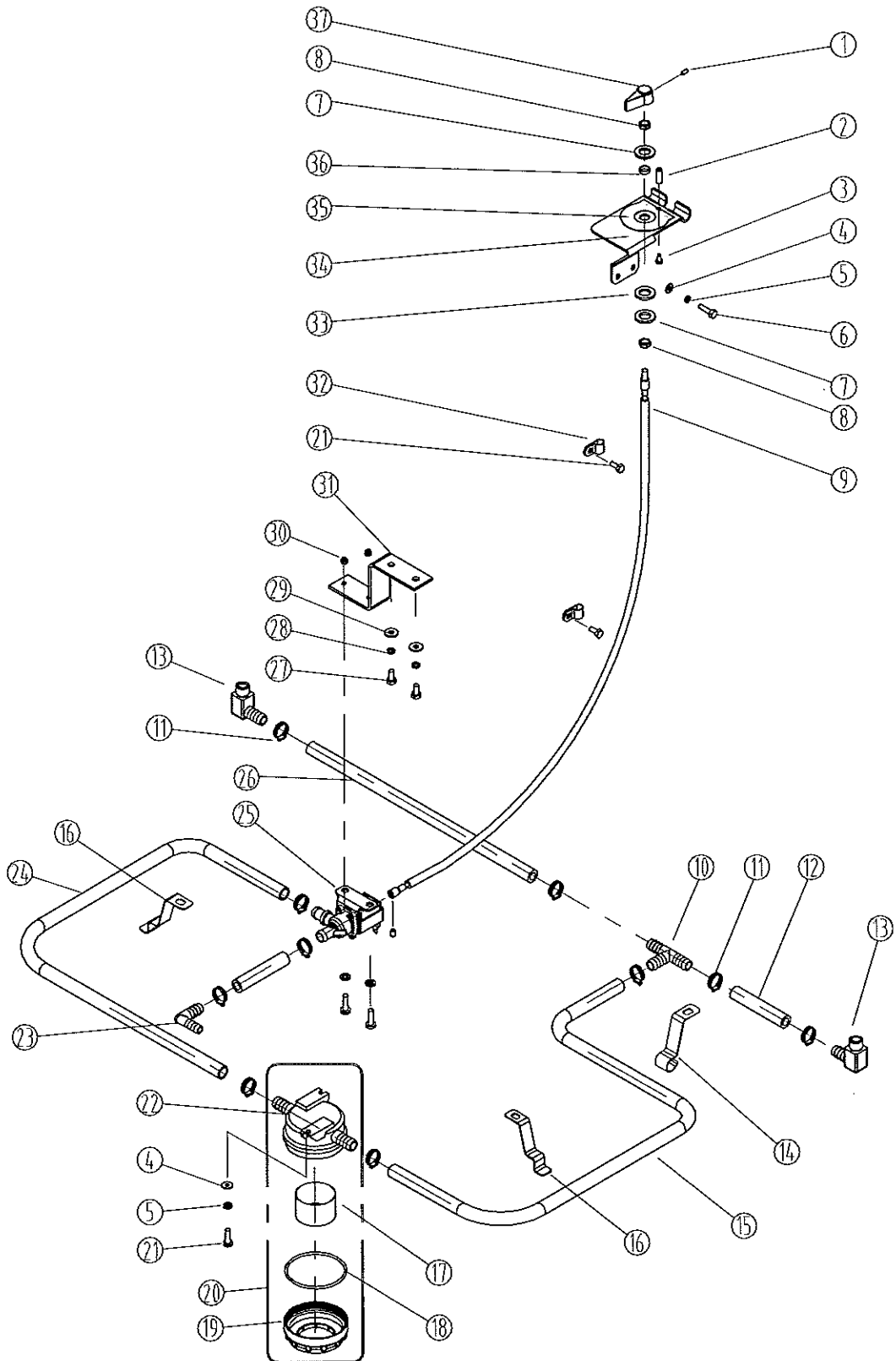


RECOVERY TANK - FANG 20 & FANG20T

DIA NO	PART NUMBER	DESCRIPTION	NO REQ'D
1	VF82010	CLEAR COVER, RECOVERY TANK	1
2	VF82083	DECAL, BATTERY WARNING	1
3	VF82009	ELBOW ADAPTOR, FLOAT	1
4	VV13607	WASHER, LOCK, M6	13
5	VF13533	WASHER, PLAIN, M6 X M16 X 2	7
6	VF14233	SCREW, M6 X 20	4
7	VF81504	FLOAT	1
8	VF82002	RECOVERY TANK	1
9	VF13528	WASHER, TOOTH, LOCK, M6	2
10	VF13495	SCREW, M6 X 16	2
11	VF82028	CABLE	1
12	VF81509	PLUG, EXPANSION	1
13	VF81510-9	STRAP, DRAIN HOSE	1
14	VF81510-2	SLEEVE, DRAIN HOSE	1
15	VF81510A	DRAIN HOSE ASSEMBLY	1
16	VF82115	DECAL, BATTERY INSTALLATION	1
17	VF82318	HOOK, CABLE	4
18	VF82326	MESH COVER, CABLE	1
19	VV10113	CLAMP, 2"	1
20	VF14225A	SCREW, M6 X 40	4
21	VF81723	CONNECTOR	1
22	VF82331	ON BOARD CHARGER, 9AMP, 24V	1
23	VF82332A	KIT, CHARGER REPLACEMENT	1
24	VV13601	WASHER, LOCK, M5	4
25	VF13532	WASHER, PLAIN, M5 X M11 X 2	4
26	VV20501	SCREW, M5 X 14	4
27	VF82331A	KIT, ON BOARD CHARGER	1
28	VF82332	CLAMP, CHARGER	2
29	VF82320	CLAMP, CABLE	2
30	VF13502	NUT, LOCK, M6	3
31	VF82310	STUD	3
32	ZD53000	MOTOR, VAC, 2-STAGE, 24VDC	1
33	VF13521	NUT, M6	3
34	VF81503	SEAT	1
35	VF14200	SCREW, M6 X 16	9
36	GT13032	WASHER, PLAIN, M6 X M16 X 1.5	9
37	VF82011	HINGE, RECOVERY TANK	1
38	VF82082	LOGO	1
39	VA13477	SELF-TAPPING SCREW, ST, 4X16	4
40	VV13664	WASHER, PLAIN, M4 X M12 X 1	4
41	VF82010A	RUBBER HINGE	1
42	VF82010B	GASKET	1
43	VF82010X	KIT, CLEAR LID	1

PARTS LIST

FANG 20 & FANG 20T - SOLUTION CONTROL ASSEMBLY

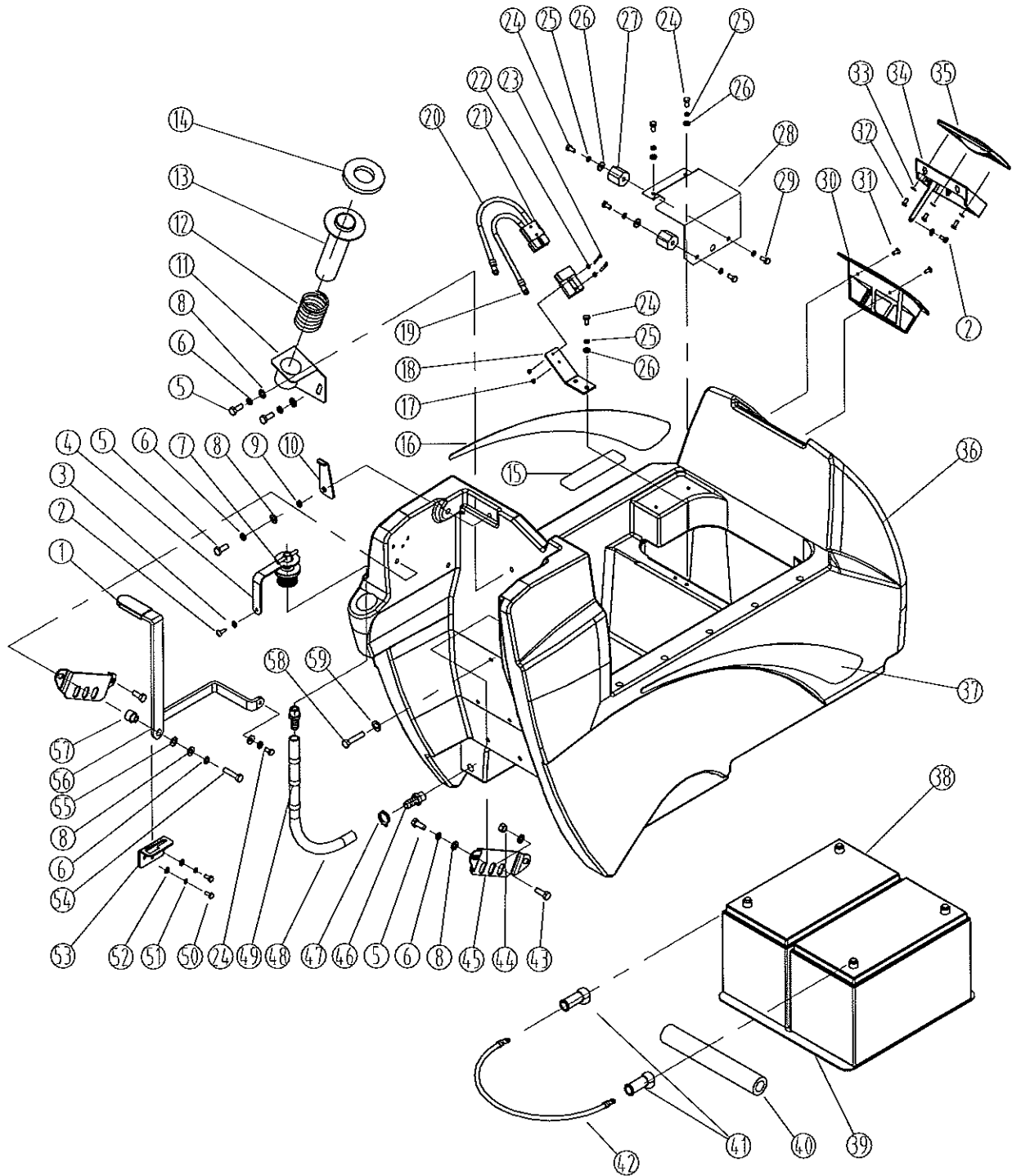


SOLUTION CONTROL - FANG 20 & FANG 20T - LIST PR

DIA NO	PART NUMBER	DESCRIPTION	NO REQ'D
1	VF14245	SCREW, M5 X 6	2
2	VF82036	SHAFT	1
3	VV13650	SCREW, M4 X 10	1
4	VF13532	WASHER, PLAIN, M5	4
5	VV13601	WASHER, LOCK, M5	5
6	VF14230	SCREW, M5 X 15	2
7	VF13536	WASHER, PLAIN, M9.8 X M16 X 1	2
8	VF82075	NUT, 3/8"	2
9	VF82035	CABLE, SOLENOID	1
10	VF82040	HOSE BARB, TEE	1
11	VF82148	CLAMP, 16mm	10
12	VF82138	TUBING, 75mm	1
13	VF81403A	ELBOW, SOLUTION TANK	2
14	VF82134	BRACKET, TUBING	1
15	VF82135	TUBING, 690mm	1
16	VF82133	CLAMP, TUBING	1
17	VF80113	MESH FILTER (2.75" / VIP)	1
	HP1012	MESH FILTER (1.5" / HY PRO)	1
18	VF82139	"O"RING (2.75" / VIP)	1
	HP1013	"O" RING (1.5" / HY PRO)	1
19	VF80111	CLEAR COVER, FILTER (2.75" / VIP)	1
	HP1011	CLEAR COVER, FILTER (1.5" / HY PRO)	1
20	VF80111A	KIT, FILTER ASSEMBLY (2.75" / VIP)	1
	HP1016	KIT, FILTER ASSEMBLY (1.5" / HY PRO)	1
21	VV20509	SCREW, M5 X 10	4
22	VF80112	MOUNTING BASE, FILTER (2.75" / BLK / VIP)	1
	HP1014	MOUNTING BASE, FILTER (1.5" / WHITE / HY PRO)	1
23	VF82041	ELBOW, HOSE BARB	1
24	VF82136	TUBING, 590mm	1
25	VF82033-20	SOLUTION VALVE SOLENOID, 24VDC	1
26	VF82137	TUBING, 205mm	1
27	VF13495	SCREW, M6 X 16	4
28	VV13607	WASHER, LOCK, M6	2
29	VF13533	WASHER, PLAIN, M6 X M16 X 2	4
30	VF13502	NUT, LOCK, M6	2
31	VF82034	BRACKET, SOLENOID	1
32	VF81118	CLAMP	3
33	VF13540	WASHER, WAVE, M12	1
34	VF82037	BRACKET, DRAIN HOSE & VALVE	1
35	VF82069	LABEL, VALVE	1
36	VF82074	BUSHING	1
37	VF82038	KNOB, VALVE ADJUST	1

PARTS LIST

SOLUTION TANK GROUP FOR FANG 20 & FANG 20T



SOLUTION TANK - FANG 20 & FANG 20T

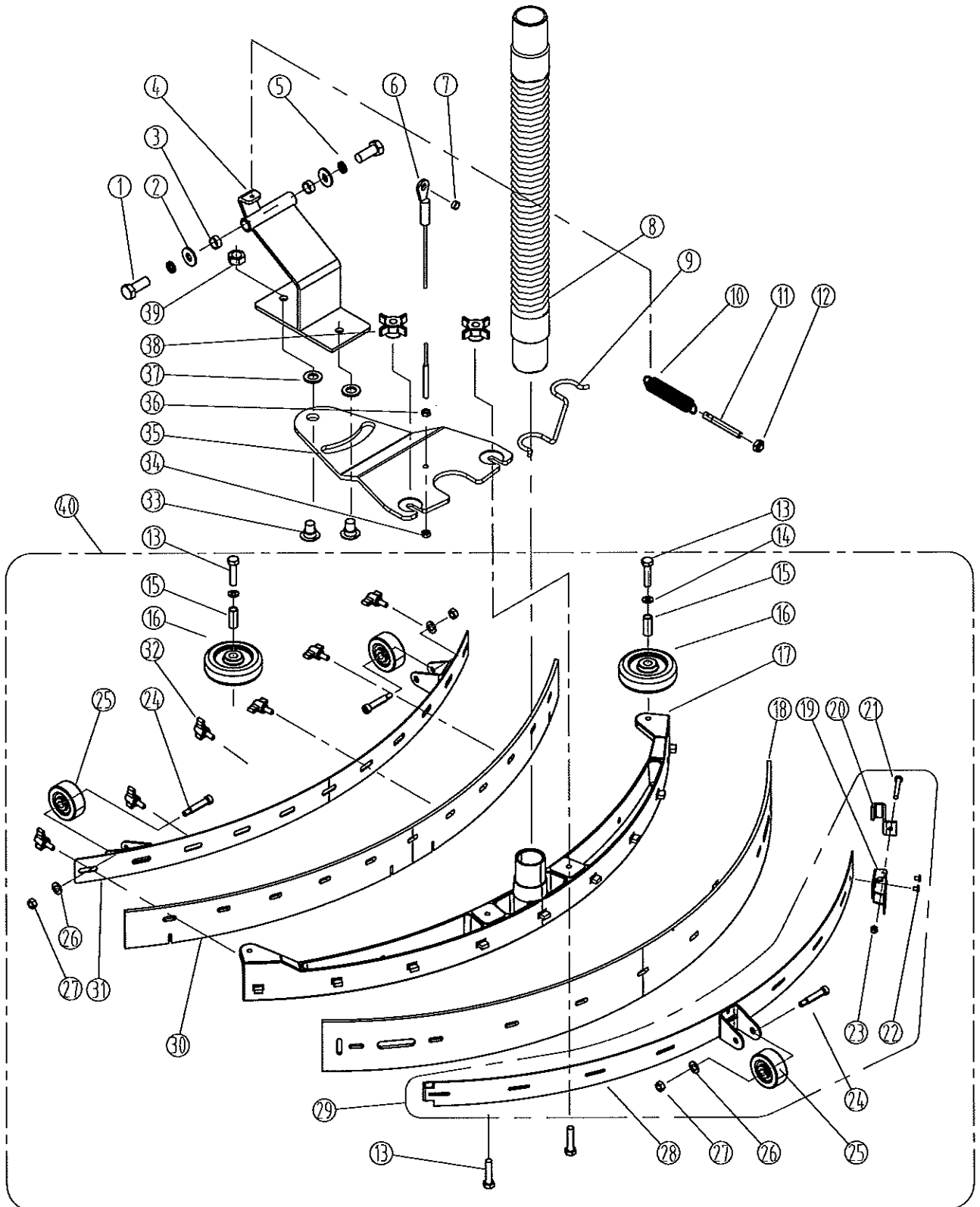
DIA NO	PART NUMBER	DESCRIPTION	NO REQ'D
1	VF81405	GRIP, HANDLE	1
2	VA13477	SELF-TAPPING SCREW, ST, 4 X 16	3
3	VV13664	WASHER, PLAIN, M4 X M12 X 1	1
4	VF81507	STRAP, PLUG, REAR FILL	1
5	VV13604	SCREW, M8 X 20	6
6	VF13519	WASHER, LOCK, M8	6
7	VF81509	PLUG, EXPANSION	1
8	VF13535	WASHER, PLAIN, M8 X M20 X 2	8
9	VF81406	BUSHING	1
10	VF81404	SUPPORT, RECOVERY TANK	1
11	VF82029	BRACKET, VAC TUBE	1
12	VF82032	SPRING	1
13	VF82030	ADAPTER, TUBE	1
14	VF82031	GASKET, TUBE ADAPTER	1
15	VF82123	DECAL	1
16	VF82070	LABEL, LEFT FANG	1
17	VV13652	NUT, LOCK, M3	2
18	VF82114	BRACKET, CHARGE PLUG	1
19	VF82402	WIRE, #6 X 600	1
20	VF82401	WIRE, #6 X 600	1
21	VF81723	CONNECTOR	2
22	VF13511	WASHER, TOOTH, M3	2
23	VF14244	SCREW, M3 X 20	2
24	VF13495	SCREW, M6 X 16	7
25	VV13607	WASHER, LOCK, M6	9
26	GT13032	WASHER, PLAIN, M6 X M16 X 1.5	7
27	VF81715	STANDOFF	2
28	VF82067	BRACKET	1
29	VF14232	SCREW, M6 X 10	2
30	VF82078	SCREEN, FILL	1
31	VF13543	SELF-TAPPING SCREW, ST4 X 16	2
32	VF13544	SELF-TAPPING SCREW, ST, 4 X 10	6
33	VA13483	WASHER, PLAIN, M4 X M9 X 0.8	7
34	VF82081	PLUG, FILL SCREEN	1
35	VF82079	COVER, FILL SCREEN	1
36	VF82001	SOLUTION TANK	1
37	VF82071	LABEL, RIGHT FANG	1
38	BAT105I	BATTERY, 105A/H, 12V	2
	BAT130I	BATTERY, 130A/H, 12V	2
39	VF82076	PLATE	1
40	VF82072	SPACER, BATTERY	1
41	VF81724	CAP, BATTERY, BLACK	2

SOLUTION TANK - FANG 20 & FANG 20T

DIA NO	PART NUMBER	DESCRIPTION	NO REQ'D
	VF81724R	CAP, BATTERY, RED	2
42	VF82403	CABLE, BATTERY	1
43	VF14234	SCREW, M8 X 16	2
44	VF13513	NUT, M8	2
45	VF81408	PLATE, LOCK	2
46	VF81416	HOSE BARB	2
47	VF82090	CLAMP (16-25)	1
48	VF82061	TUBING	1
49	VF82306A	KIT, LABEL, MARKERS	1
50	VF14230	SCREW, M5 X 15	3
51	VV13601	WASHER, LOCK, M5	3
52	VF13532	WASHER, PLAIN, M5 X M11 X 2	3
53	VF81202	PLATE, SQUEEGEE, LOCK	1
54	VF14235	SCREW, M8 X 35	1
55	VF48216	WASHER, LOCK	1
56	VF82050	HANDLE, SQUEEGEE, LIFT	1
57	VF82050A	BUSHING	1
58	VF14248	SCREW, M8 X 100	1
59	VF13516	WASHER, PLAIN, M10 X M30 X 1.5	1

PARTS LIST

FANG 20 & FANG 20T - SQUEEGEE ASSEMBLY

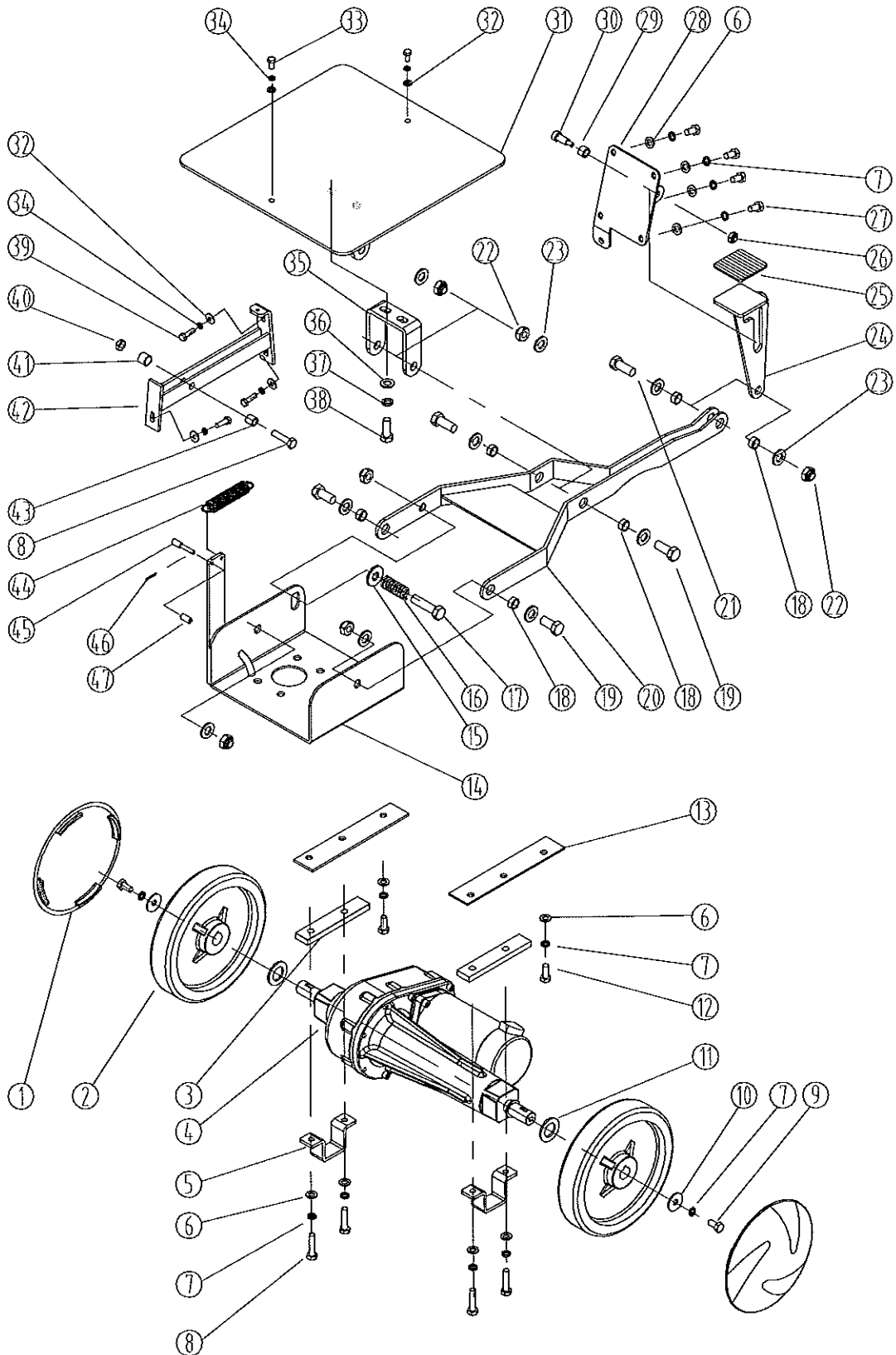


SQUEEGEE ASSEMBLY - FANG 20 & FANG 20T

DIA NO	PART NUMBER	DESCRIPTION	NO REQ'D
1	VF14247	SCREW, M12 X 25	2
2	VF13538	WASHER, PLAIN, M12 X M26 X 2	2
3	VF82016A	BUSHING	2
4	VF82130	MOUNT, PIVOT (FANG20)	1
	VF82330	MOUNT, PIVOT (FANG20T)	1
5	VF13541	WASHER, LOCK, M12	2
6	VF82049	CABLE, SQUEEGEE LIFT	1
7	VF82112	BUSHING	1
8	VF81203A	HOSE	1
9	VF83150	HOLDER, "U" HOSE	1
10	VF81207	SPRING	1
11	VF82047	SHAFT	1
12	VF13513	NUT, M8	1
13	VF14236	SCREW, M8 X 40	4
14	VF13514A	WASHER, PLAIN, M8 X M16.5 X 1	2
15	VF82055	BUSHING	2
16	VF82013	WHEEL, 3"	2
17	VF82116	HOUSING, SQUEEGEE	1
18	VF82063	BLADE, SQUEEGEE, REAR (PU)	1
	VF82119	BLADE, SQUEEGEE, REAR (NEOPRENE)	1
19	VF81218	LATCH, HOOD	1
20	VF81209	HOOK, REAR SQUEEGEE, BACKUP ADJUSTMENT	1
21	VF14310	SCREW, M5 X 70	1
22	VF81208	RIVET, M4 X 5	2
23	GT13022	NUT, LOCK, M5	1
24	VF81222	BOLT, SHOULDER, M9.5 X 31.5 X 5/16"	3
25	VF81219	WHEEL, 2"	3
26	VF13535	WASHER, PLAIN, M8 X M20 X 2	3
27	VV20203	NUT, LOCK, 5/16"	3
28	VF82120	BACKUP STRIP, SQUEEGEE, REAR	1
28	VF82120A	BACKUP STRIP, ASSEMBLY	1
30	VF82062	BLADE, SQUEEGEE, FRONT (PU)	1
	VF82117	BLADE, SQUEEGEE, FRONT (NEOPRENE)	1
31	VF82118	BACKUP STRIP, SQUEEGEE, FRONT	1
32	VF82121	KNOB, M6	6
33	VF82084	BOLT, SHOULDER, M12 X 20	2
34	VF13502	NUT, LOCK, M6	1
35	VF82131	BRACKET, SQUEEGEE MOUNT	1
36	VF13521	NUT, M6	1
37	VF13539	WASHER, PLAIN, M12 X M32 X 2	2
38	VF81210	KNOB, M8	2
39	VF14081	NUT, M12	2
40	VF82908A	SQUEEGEE ASSY	1

PARTS LIST

FANG 20T - BRUSH LIFT / DRIVE ASSEMBLY

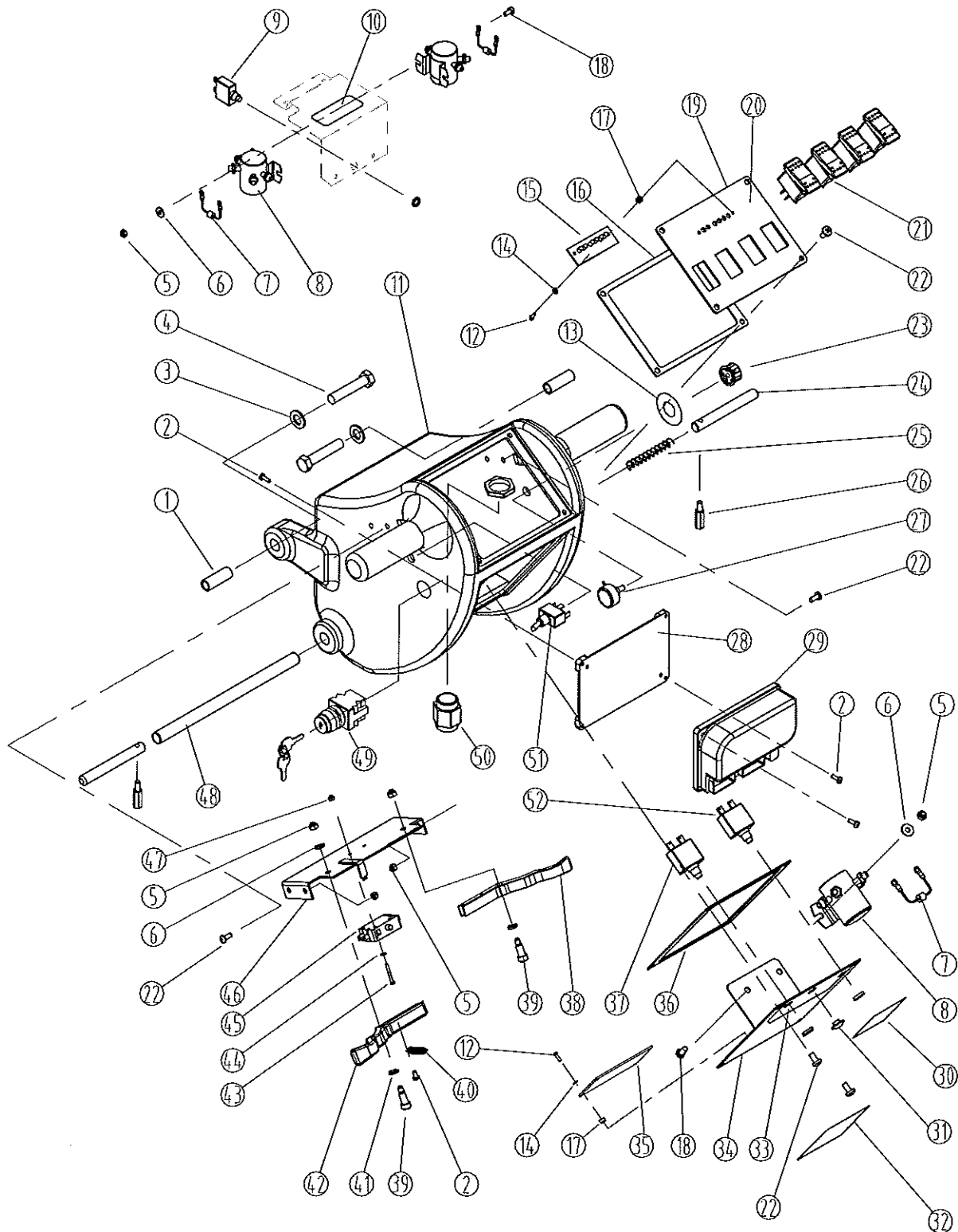


BRUSH LIFT & DRIVE ASSY - FANG 20T - LIST PRICE

DIA NO	PART NUMBER	DESCRIPTION	QTY REQ'D
1	VF82080	HUB CAP	2
2	VF82006	WHEEL, 8" (Serial #1000 - 1499)	2
	VF82208	WHEEL, 8" (Serial #1500+)	2
3	VF82205	SPACER	2
4	VF82004	TRANSAXLE, 20" (Serial #1000 - 1499)	1
	VF82200	TRANSAXLE, 20" (Serial #1500+)	1
	ZD72000A	MOTOR, TRANSAXLE, 24VDC (Serial #1500+)	1
	VF82207	KEY, M5 X 25 (Serial #1500+)	1
5	VF82204	BRACKET, TRANSAXLE MOUNT	2
6	VF13535	WASHER, PLAIN, M8 X M20 X 2	10
7	VF13519	WASHER, LOCK, F8	12
8	VF14236	SCREW, M8 X 40	4
9	VF14249	SCREW, M8 X 12	2
10	VF13546	WASHER, PLAIN, M8 X M28 X 2	2
11	VF82203	WASHER, PLAIN, M20 X M37 X 2	2
12	VF14234	SCREW, M8 X 16	2
13	VF82206	SPACER	2
14	VF82017	BRACKET, MOTOR	1
15	VF82065	OILITE THRUST WASHER	1
16	VF82064	SPRING	1
17	VF14240	SCREW, M12 X 60	1
18	VF82016A	BUSHING	6
19	VF14238	SCREW, M12 X 30	4
20	VF82016	BRACKET, BRUSH LIFT	1
21	VF14239	SCREW, M12 X 35	1
22	VF13501	NUT, LOCK, M12	6
23	VF13538	WASHER, PLAIN, M12 X M22 X 2	10
24	VF82020	LATCH, BRUSH LIFT	1
25	VF81111	SPACER, RUBBER	1
26	VV20203	NUT, LOCK, 5/16"	1
27	VV13604	SCREW, M8 X 20	4
28	VF82021	BRACKET, BRUSH LIFT LATCH	1
29	VF82021A	BUSHING	1
30	VF82021B	BOLT, SHOULDER	1
31	VF82019A	MOUNT PLATE, BRUSH LIFT LATCH	1
32	VF13533	WASHER, PLAIN, M6 X M16 X 2	5
33	VF13495	SCREW, M6 X 16	2
34	VV13607	WASHER, LOCK, M6	5
35	VF82022	BRACKET ADJUSTMENT	1
36	VF13537	WASHER, PLAIN, M10 X M26 X 2	2
37	VF13518	WASHER, LOCK, M8	1
38	VF14123	SCREW, M10 X 25	2
39	VF14233	SCREW, M6 X 20	3
40	VF13503	NUT, LOCK, M8	1
41	VF82018A	BUSHING	1
42	VF82018	ROLLER BRACKET, BRUSH LIFT	1
43	VF82018B	BUSHING	1
44	VF81120	SPRING	1
45	VF82158	SHAFT	1
46	VF14096	PIN, M2 X 20	1
47	VF82159	BUSHING	1

PARTS LIST

CONTROL CONSOLE GROUP FOR FANG 20T



CONTROL CONSOLE - FANG 20T

DIA NO	PART NUMBER	DESCRIPTION	NO REQ'D
1	VF81713	BUSHING	2
2	VF13491	SCREW, M4 X 12	7
3	VF14122	WASHER, PLAIN, M10 X M20 X 2	2
4	VF14121	SCREW, M10 X 65	2
5	VF13502	NUT, LOCK, M6	10
6	GT13032	WASHER, PLAIN, M6	6
7	VF81781	DIODE, 400V	3
8	VF81726	SOLENOID, 24V	3
9	VF81735	BREAKER, CIRCUIT, 25 AMP	1
10	VF83149	LABEL, CIRCUIT BREAKER	1
11	VF82301	HOUSING, CONTROL	1
12	VF14078	SCREW, M3 X 10	6
13	VF82305	LABEL, SPEED CONTROL	1
14	VA50477	WASHER, PLAIN, M3 X M10 X 1	6
15	VF81718	LIGHTS, BATTERY CAPACITY	1
16	VF82313	GASKET	1
17	VF81719	SPACER	6
18	VF13495	SCREW, M6 X 16	4
19	VF82302A	PANEL, SWITCH	1
20	VF82304A	LABEL, SWITCH	1
21	VF81721	SWITCH, LIGHTED ROCKER	4
22	VF14200	SCREW, M6 X 16	12
23	VF81730	KNOB, SPEED CONTROL	1
24	VF81709	PIN, HANDLE LOCK	2
25	VF81716	SPRING	1
26	VF81710	PIN, HANDLE ADJUSTMENT	2
27	VF81729B	POTENTIOMETER, 4.7K (WITH WIRES)	1
28	VF82316	PLATE	1
29	VF81739-20T	SPEED CONTROL BOARD	1
30	VF82315	SERIAL TAG	1
31	GV40239	COVER	1
32	VF82083	DECAL, BATTERY WARNING	1
33	VF83148	LABEL, CIRCUIT BREAKER	1
34	VF82303	PANEL, CONTROL HOUSING	1
35	VF81703	BATTERY CAPACITY, CONTROL BOARD	1
36	VF82312	GASKET	1
37	VF99012	BREAKER, CIRCUIT, 12 AMP	1
38	VF82107	HANDLE, RIGHT	1
39	VF81711	BOLT, SHOULDER, M8X M15 X M6	2
40	VF81712	SPRING	1
41	VF13514A	WASHER, PLAIN, M8 X M16.5 X 1	2
42	VF82106	HANDLE ,LEFT	1
43	VF14212	SCREW, M3 X 25	2
44	VF13511	WASHER, TOOTH, M3	2
45	VF44203	SWITCH, ASSY	1
46	VF83141	BRACKET, SWITCH	1
47	VV13652	NUT, LOCK, M3	2
48	VF81714	TUBE, HANDLE, ADJUSTMENT	1
49	VF82153	KIT, KEY SWITCH	1
50	VF81744	STRAIN RELIEF, CORD	1
51	VF81722	SWITCH, TOGGLE	1
52	VF81734	BREAKER, CIRCUIT, 35 AMP	1

WIRING DIAGRAM FOR FANG 20T

