

VIPER

FANG

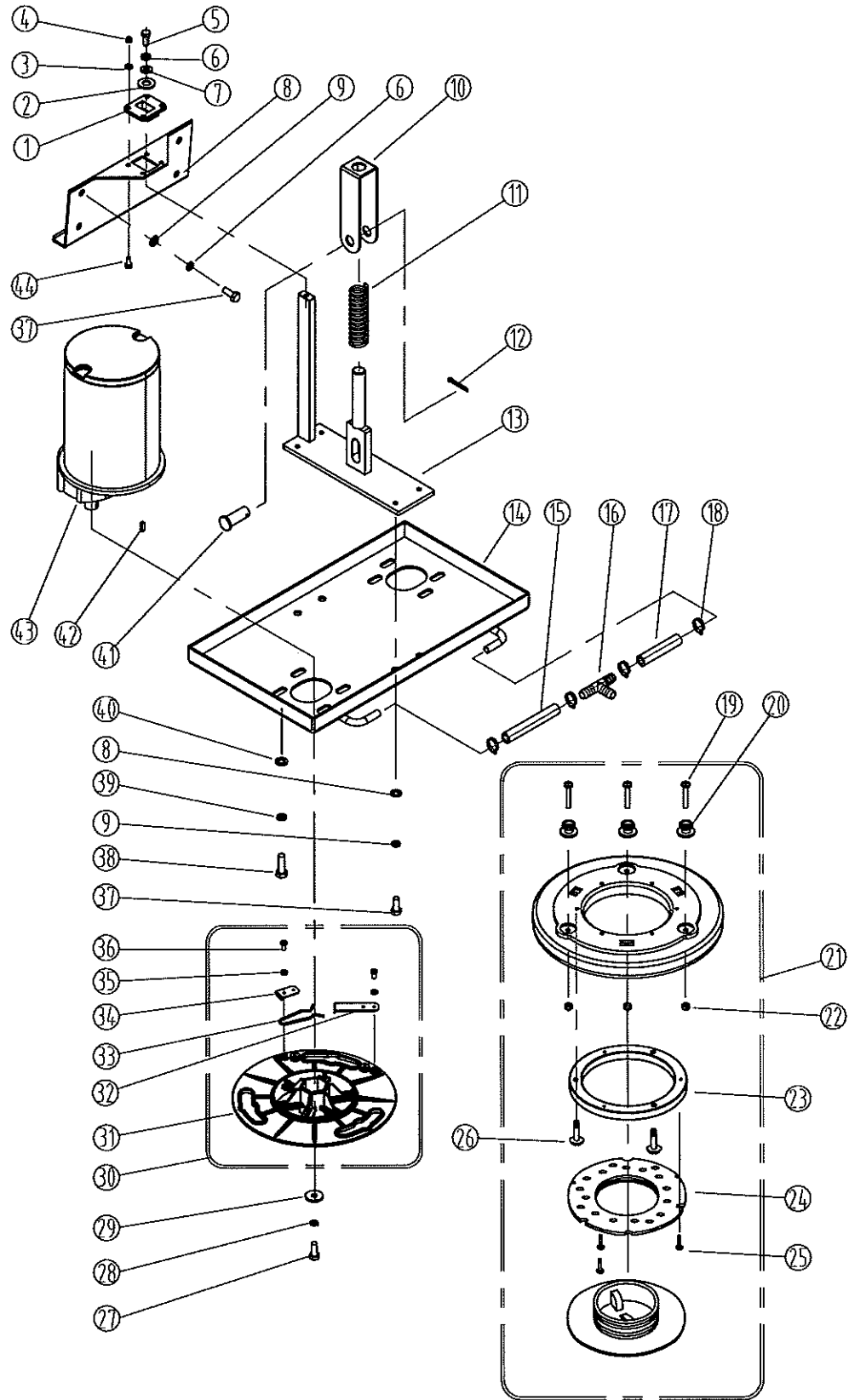
FANG24T/26T/28T

24"/26"/28"

AUTOSCRUBBER

PARTS LIST

FANG 24T, FANG 26T & FANG 28T - BRUSH / PAD DRIVE ASSEMBLY



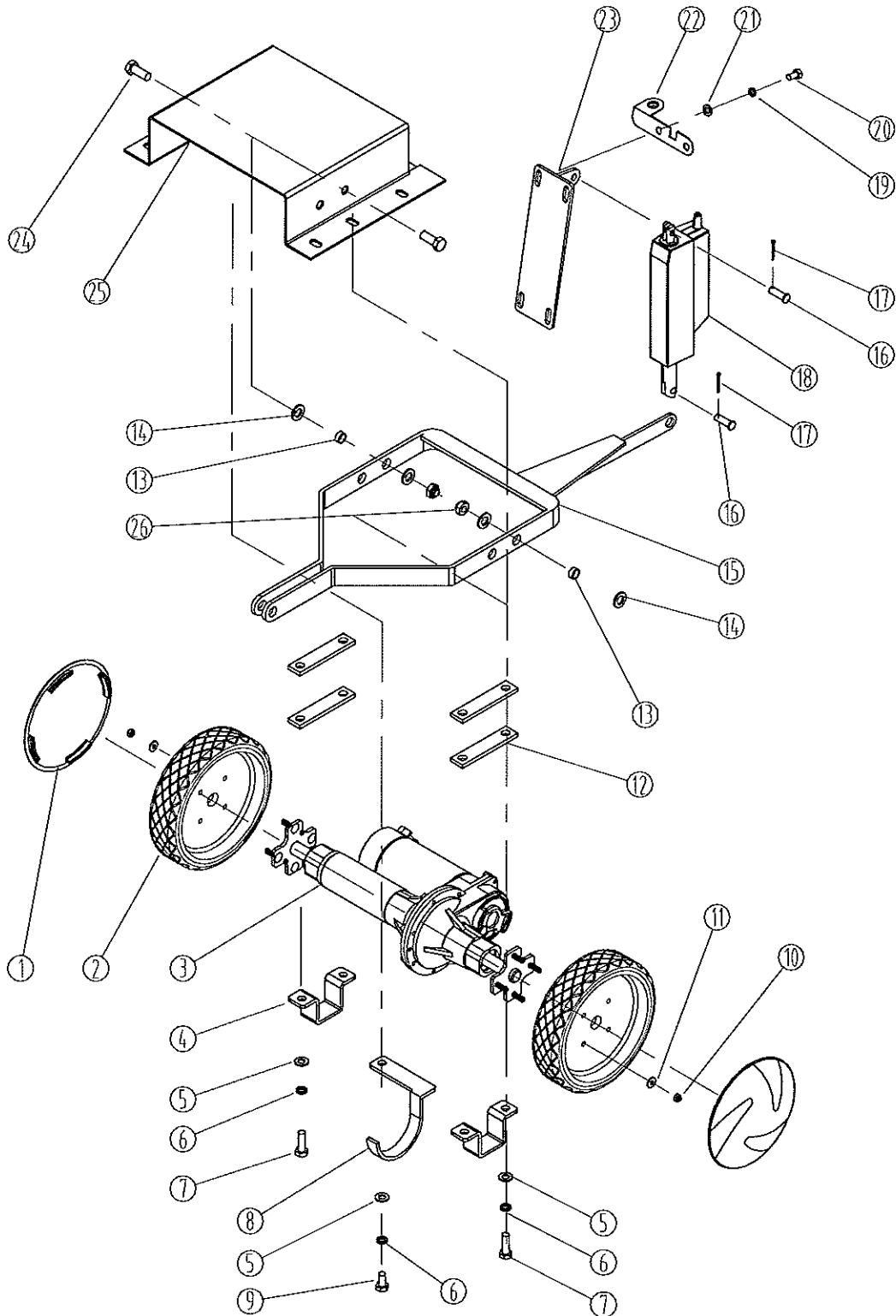
BRUSH & PAD DRIVE ASSY - FANG 24T - 26T - 28T

DIA NO	PART NUMBER	DESCRIPTION	NO REQ'D
1	VF83112A	BLOCK, GUIDE	1
2	VV20274B	WASHER, PLAIN, M13 X M39 X 2	1
3	VA13400	WASHER, PLAIN, M5 X M11 X 1	4
4	GT13022	NUT, LOCK, M5	4
5	VF14234	SCREW, M8 X 16	1
6	VF13519	WASHER, LOCK, M8	8
7	VF13542	WASHER, PLAIN, M8 X M26 X 2	1
8	VF83116A	SUPPORT PLATE, SKIRT	1
9	VF13535	WASHER, PLAIN, M8 X M20 X 2	8
10	VF81114	BRACKET, SPRING	1
11	VF83117	SPRING	1
12	VA14303	PIN, M4 X 40	1
13	VF83113A	BRACKET, SPRING MOUNT	1
14	VF81112	BRACKET, MOTOR MOUNT(FANG 24T & 26T)	1
	VF83205	BRACKET,MOTOR MOUNT(FANG 26T & 28T)	1
15	VF81122	TUBING, 150mm	1
16	VF82040	HOSE BARB, TEE	1
17	VF81121	TUBING, 120mm	1
18	VF82148	CLAMP, 16mm	2
19	VF14225A	SCREW, M6 X 40	6
20	VF83133	STUD	6
21	VF81105	PAD DRIVER, 11" (FANG24T)	2
	VF81104	POLY SCRUB BRUSH, 11" (FANG24T - OPTIONAL)	2
	VF83128	PAD DRIVER, 12" (FANG26T)	2
	VF83127	POLY SCRUB BRUSH, 12" (FANG26T - OPTIONAL)	2
	VF83207	PAD DRIVER, 13" (FANG28T)	2
	VF83206	POLY SCRUB BRUSH, 13" (FANG28T - OPTIONAL)	2
22	VF13502	NUT, LOCK, M6	6
23	VF83118	SPACER	2
24	VF99003A	BIG MOUTH	2
25	VA13484	SELF-TAPPING SCREW, ST4 X 12	6
26	MF-VF002-4A	SELF-TAPPING SCREW, 1/4" X 1"	6
27	VF14241	SCREW, 5/16" X 1"	2
28	VV20298	WASHER, LOCK, 5/16"	2
29	VF82058	WASHER	2
30	VF83130A	DRIVE PLATE, COMPLETE ASSEMBLY	2
31	VF83130	PLATE, DRIVE	2
32	VF83134	STOP, DRIVE RELEASE	2
33	VF83132	SPRING	2
34	VF83131	CLAMP, BRUSH PLATE	2
35	VV13601	WASHER, LOCK, M5	8
36	VF13545	SELF-TAPPING SCREW, ST5 X 10	8
37	VV13604	SCREW, M8 X 20	8
38	VF14242	SCREW, 3/8" X 1"	8
39	VV13620	WASHER, LOCK, 3/8"	8
40	VF13537	WASHER, PLAIN, M10 X M26 X 2	8
41	VF83114	PIN, M16 X 42	1

DIA NO	PART NUMBER	DESCRIPTION	NO REQ'D	
42	ZD45407	KEY, 6.35 x 25	2	
43	ZD45000	BRUSH MOTOR, 24VDC, .75HP	2	
44	VF14230	SCREW, M5 X 15	4	

PARTS LIST

BRUSH LIFT / DRIVE GROUP FOR FANG 24T, FANG 26T & FANG 28T

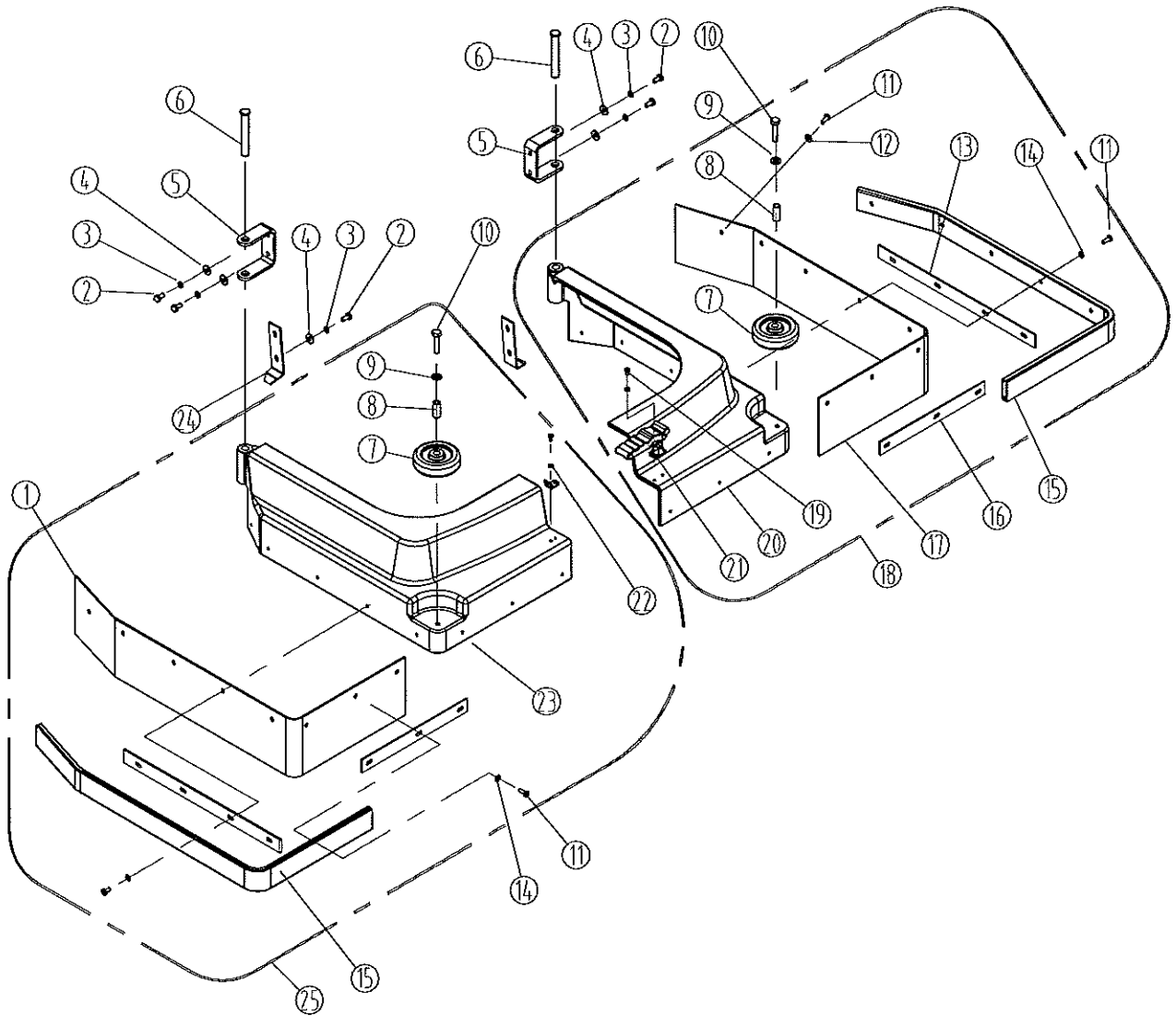


BRUSH LIFT & DRIVE ASSY - FANG 24T - 26T - 28T

DIA NO	PART NUMBER	DESCRIPTION	NO REQ'D
1	VF82080	HUB CAP	2
2	VF81106	WHEEL, 8"	2
3	VF81600	TRANSAXLE (24T, 26T, 28T)	1
	ZD72000	MOTOR, TRANSAXLE, 24VDC	1
4	VF81102	BRACKET, TRANSAXLE MOUNT	2
5	VF13537	WASHER, PLAIN, M10 X M26 X 2	6
6	VF13518	WASHER, LOCK, M10	6
7	VF13636	SCREW, M10 X 45	4
8	VF13634	SCREW, M10 X 30	2
9	VF13502	NUT, LOCK, M6	8
10	VF13533	WASHER, PLAIN, M6 X M16 X 2	8
11	VF81103	SPACER	4
12	VF82016A	BUSHING	2
13	VF13538	WASHER, PLAIN, M12 X M22 X 2	4
14	VF83136	BRACKET, LIFT, DUAL MOTOR	1
15	VF83139	PIN, M10 X 30	2
16	VF14084	PIN, COTTER, M3.2 X 24	2
17	VF81301	ACTUATOR	1
18	VF13519	WASHER, LOCK, M8	4
19	VV13604	SCREW, M8 X 20	4
20	VF13535	WASHER, PLAIN, M8 X M20 X 2	4
21	VF83126	BRACKET, CABLE GUIDE	1
22	VF83135	BRACKET, ACTUATOR	1
23	VF14247	SCREW, M12 X 25	2
24	VF81101A	PLATE, BASE TRANSAXLE	1
25	VF13501	NUT, LOCK, M12	2

PARTS LIST

FANG 24T, FANG 26T & FANG 28T - BRUSH SKIRT ASSEMBLY

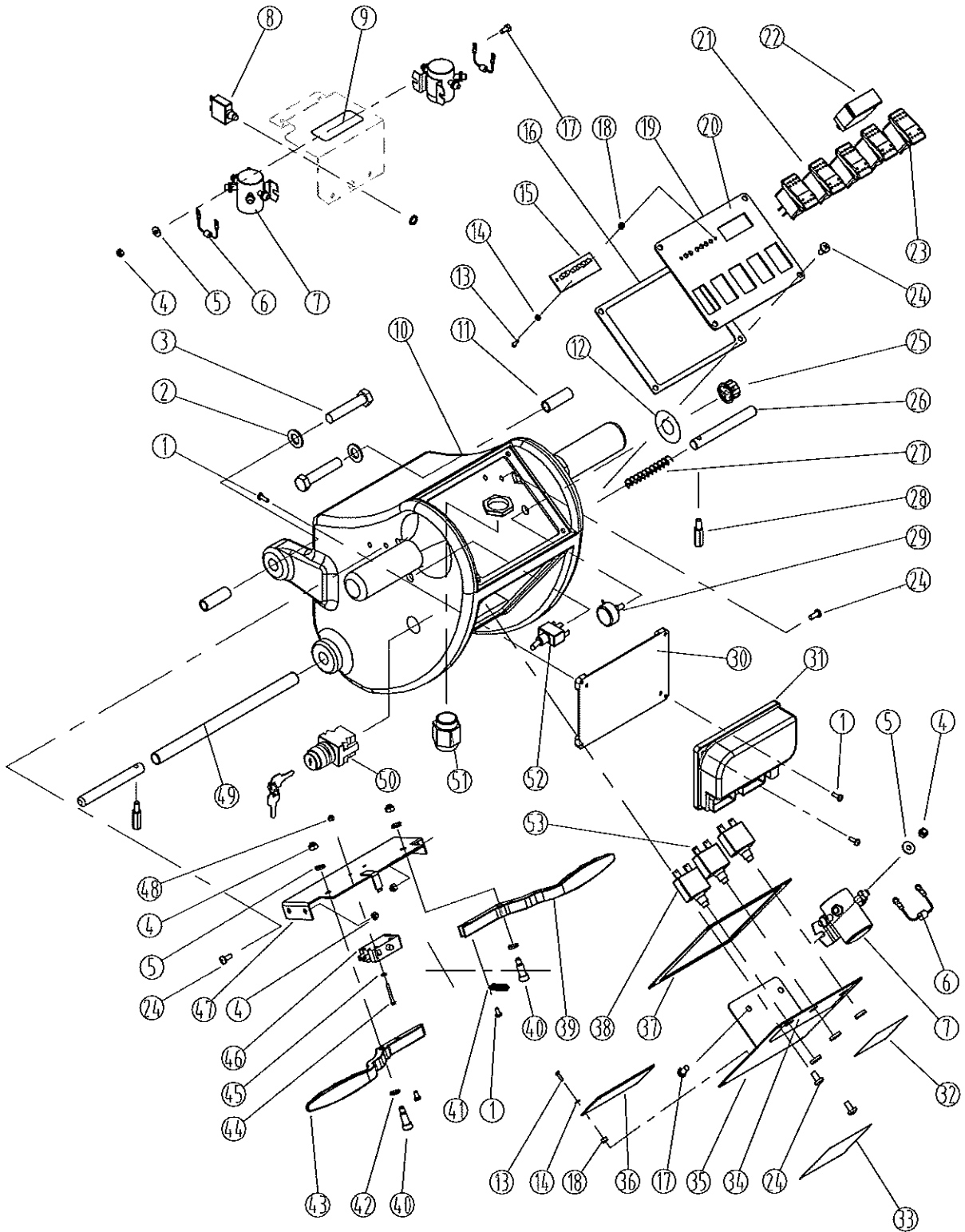


BRUSH SKIRT ASSY - FANG 24T - 26T - 28T

DIA NO	PART NUMBER	DESCRIPTION	NO REQ'D
1	VF81109	BUMPER (FANG 24T)	1
	VF83105	BUMPER (FANG 26T)	1
	VF83203	BUMPER (FANG 28T)	1
2	VF13495	SCREW, M6 X 16	8
3	VV13607	WASHER, LOCK, M6	8
4	VF13533	WASHER, PLAIN, M6	8
5	VF83107	BRACKET, SKIRT MOUNT	2
6	VF83108	PIN, SKIRT	2
7	VF82013	WHEEL, 3"	2
8	VF82055	BUSHING	2
9	VF13514A	WASHER, PLAIN, M8 X M16.5 X 1	2
10	VF14236	SCREW, M8 X 40	2
11	VA13474	SCREW, M5 X 16	18
12	VF13550	WASHER, PLAIN, M5 X M25 X 1.5	4
13	VF81130	CLAMP, BUMPER (FANG 24T)	2
	VF83151	CLAMP, BUMPER (FANG 26T)	2
	VF83214	CLAMP, BUMPER (FANG 28T)	2
14	VA13400	WASHER, PLAIN, M5 X M11 X 1	14
15	VF81117	GRIP, BUMPER (FANG 24T)	2
	VF83147	GRIP, BUMPER (FANG 26T)	4
	VF83212	GRIP, BUMPER (FANG 28T)	2
16	VF81131	CLAMP, BUMPER (FANG 24T)	2
	VF83213	CLAMP, BUMPER (FANG 28T)	2
17	VF81109A	BUMPER (FANG 24T)	1
	VF83105A	BUMPER (FANG 26T)	1
	VF83203A	BUMPER (FANG 28T)	1
18	VF81108R	RIGHT SKIRT, ASSEMBLY (FANG 24T)	1
	VF83104R	RIGHT SKIRT, ASSEMBLY (FANG 26T)	1
	VF83202R	RIGHT SKIRT, ASSEMBLY (FANG 28T)	1
19	VV20519	SCREW, M4 X 8	4
20	VF81108	SKIRT, RIGHT (FANG 24T)	1
	VF83104	SKIRT, RIGHT (FANG 26T)	1
	VF83202	SKIRT, RIGHT (FANG 28T)	1
21	VF83109	LATCH, HOOD	1
22	VV20291	WASHER, LOCK, M4	4
23	VF81107	SKIRT, LEFT (FANG 24T)	1
	VF83103	SKIRT, LEFT (FANG 26T)	1
	VF83201	SKIRT, LEFT (FANG 28T)	1
24	VF83142	BLOCK, SKIRT	2
25	VF81107L	LEFT SKIRT, ASSEMBLY (FANG 24T)	1
	VF83103L	LEFT SKIRT, ASSEMBLY (FANG 26T)	1
	VF83201L	LEFT SKIRT, ASSEMBLY (FANG 28T)	1

PARTS LIST

CONTROL CONSOLE GROUP FOR FANG 24T, FANG 26T & FANG 28T

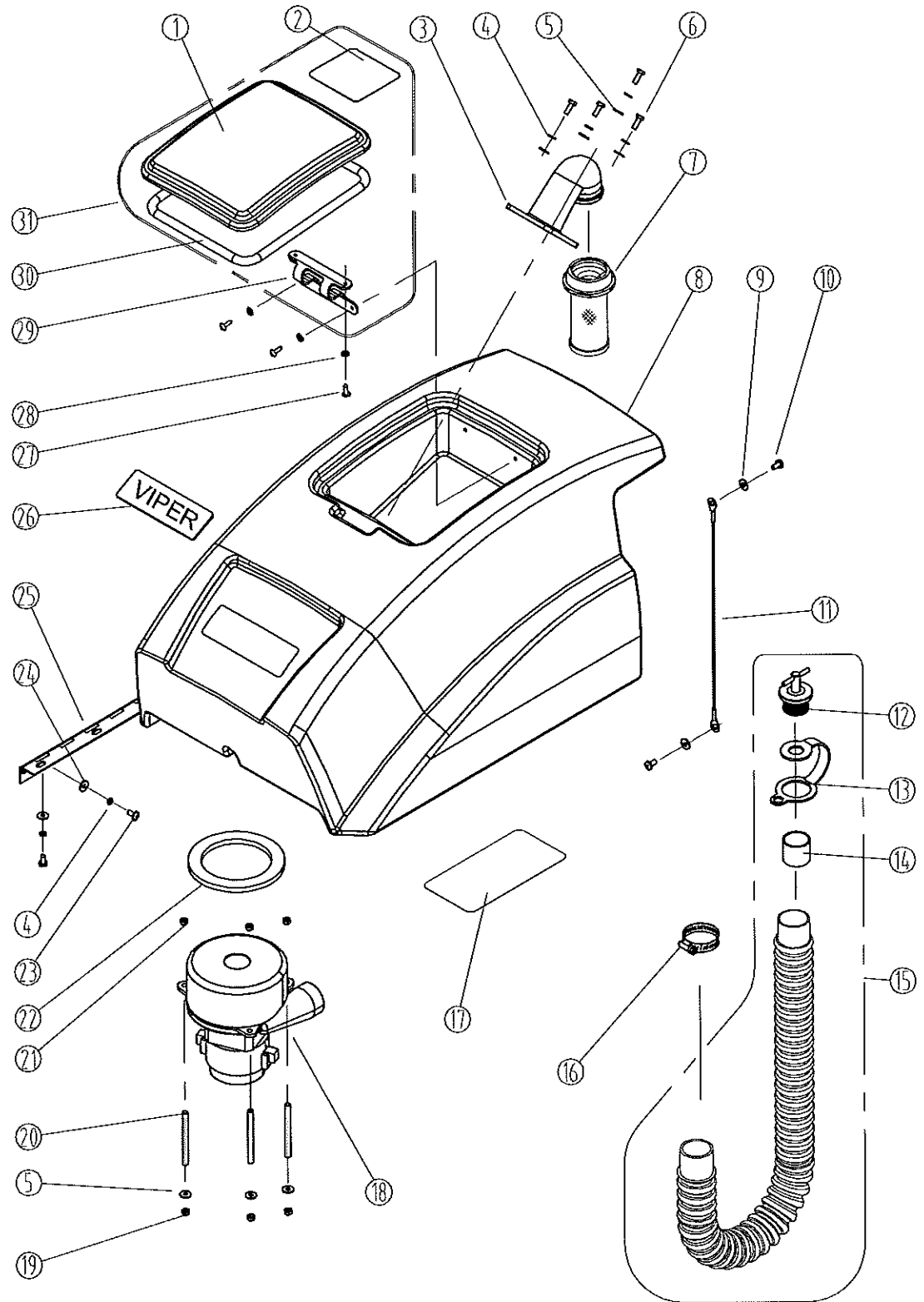


CONTROL HOUSING - FANG 24T - 26T - 28T

DIA NO	PART NUMBER	DESCRIPTION	NO REQ'D
1	VF13491	SCREW, M4 X 12	7
2	VF14122	WASHER, PLAIN, M10 X M20 X 2	2
3	VF14121	SCREW, M10 X 65	2
4	VF13502	NUT, LOCK, M6	10
5	GT13032	WASHER, PLAIN, M6	6
6	VF81781	DIODE, 400V	3
7	VF81726	SOLENOID, 24V	3
8	VF81735	CIRCUIT BREAKER, 25 AMP	1
9	VF83149	LABEL, CIRCUIT BREAKER	1
10	VF82301	HOUSING, CONTROL	1
11	VF81713	BUSHING	2
12	VF82305	LABEL, SPEED CONTROL	1
13	VF14078	SCREW, M3 X 10	6
14	VA50477	WASHER, PLAIN, M3 X M10 X 1	6
15	VF81718	LIGHTS, BATTERY CAPACITY	1
16	VF82313	GASKET	1
17	VF13495	SCREW, M6 X 16	4
18	VF81719	SPACER	6
19	VF83137A	PANEL, SWITCH	1
20	VF81708A	LABEL, SWITCH (FANG 24T)	1
	VF83138A	LABEL, SWITCH (FANG 26T)	1
	VF83209A	LABEL, SWITCH (FANG 28T)	1
21	VF81721	SWITCH, LIGHTED ROCKER	4
22	VF81727	GAUGE, BRUSH PRESSURE	1
23	VF81725	SWITCH, BRUSH LIFT	1
24	VF14200	SCREW, M6 X 16	12
25	VF81730	KNOB, SPEED CONTROL	1
26	VF81709	PIN, HANDLE LOCK	2
27	VF81716	SPRING	1
28	VF81710	PIN, HANDLE ADJUSTMENT	2
29	VF81729B	POTENTIOMETER, 4.7K (WITH WIRES)	1
30	VF82316	PLATE	1
31	VF81739-24T	SPEED CONTROL BOARD	1
32	VF81115	SERIAL TAG (FANG 24T)	1
	VF83145	SERIAL TAG (FANG 26T)	1
	VF83210	SERIAL TAG (FANG 28T)	1
33	VF82083	DECAL, BATTERY WARNING	1
34	VF83148	LABEL, CIRCUIT BREAKER	1
35	VF82303	PANEL, CONTROL HOUSING	1
36	VF81703	BATTERY CAPACITY, CONTROL BOARD	1
37	VF82312	GASKET	1
38	VF99012	CIRCUIT BREAKER, 12 AMP	1
39	VF82107	HANDLE, RIGHT	1
40	VF81711	BOLT, SHOULDER, M8 X 15 X M6	2
41	VF81712	SPRING	1
42	VF13514A	WASHER, PLAIN, M8 X M16.5 X 1	2
43	VF82106	HANDLE, LEFT	1
44	VF14212	SCREW, M3 X 25	2
45	VF13511	WASHER, TOOTH, M3	2
46	VF44203	SWITCH ASSEMBLY	1
47	VF81707	BRACKET, SWITCH	1
48	VV13652	NUT, LOCK, M3	2
49	VF81714	TUBE, HANDLE ADJUSTMENT	1
50	VF82153	KIT, KEY SWITCH	1
51	VF81744	STRAIN RELIEF, CORD	1
52	VF81722	SWITCH, TOGGLE	1
53	VF81734	CIRCUIT BREAKER, 35 AMP	2

PARTS LIST

FANG 24T, FANG 26T & FANG 28T - RECOVERY TANK ASSEMBLY

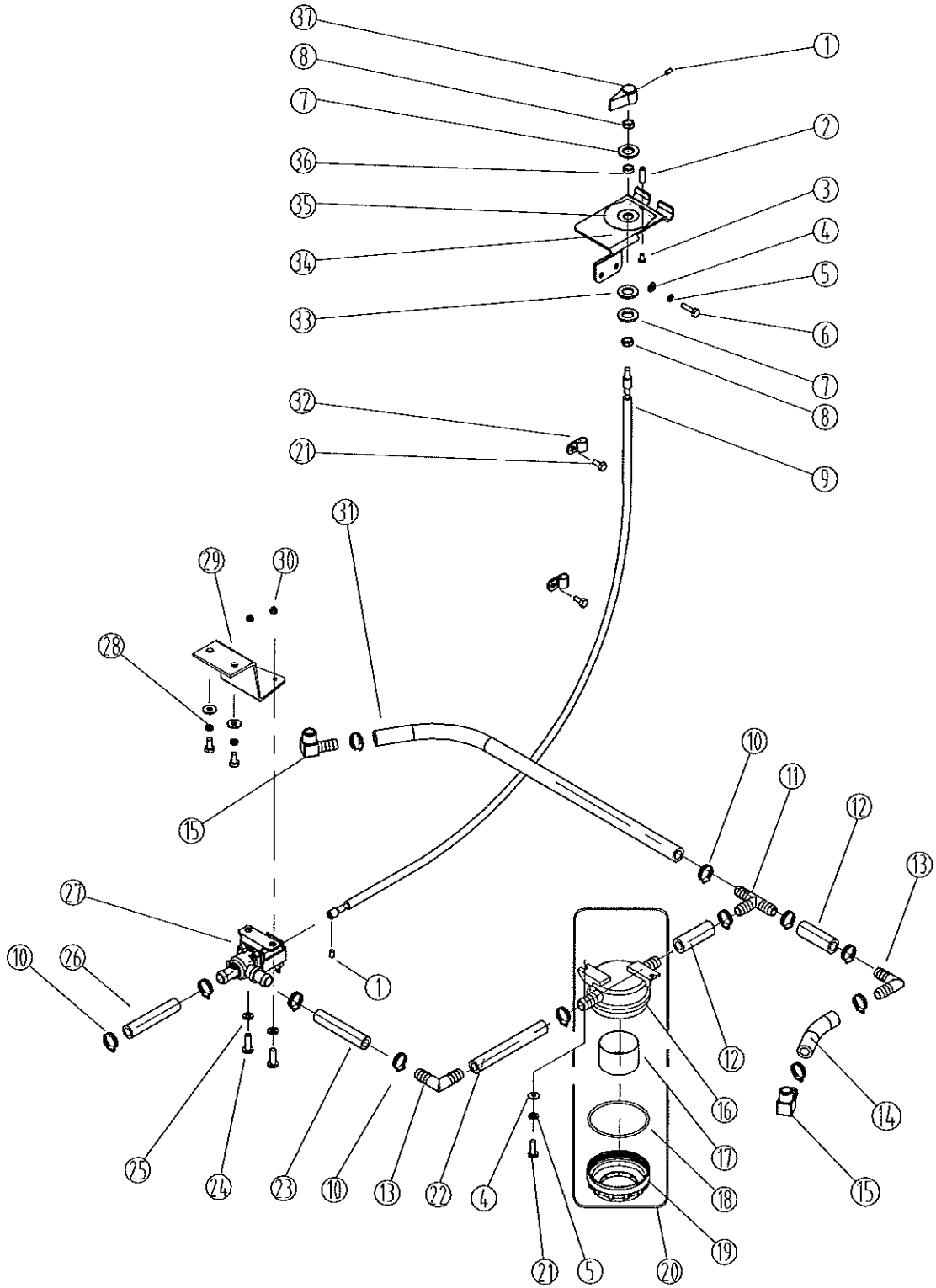


RECOVERY TANK - FANG 24T - 26T - 28T

DIA NO	PART NUMBER	DESCRIPTION	NO REQ'D
1	VF82010	CLEAR COVER, RECOVERY TANK	1
2	VF82083	DECAL, BATTERY WARNING	1
3	VF82009	ELBOW ADAPTOR, FLOAT	1
4	VV13607	WASHER, LOCK, M6	13
5	VF13533	WASHER, PLAIN, M6 X M16 X 2	7
6	VF14233	SCREW, M6 X 20	4
7	VF81504	FLOAT	1
8	VF83102	RECOVERY TANK	1
9	VF13528	WASHER, TOOTH, LOCK, M6	2
10	VF13495	SCREW, M6 X 16	2
11	VF82028	CABLE	1
12	VF81509	PLUG, EXPANSION	1
13	VF81510-9	STRAP, DRAIN HOSE	1
14	VF81510-2	SLEEVE, DRAIN HOSE	1
15	VF81510A	DRAIN HOSE ASSEMBLY	1
16	VV10113	CLAMP, 2"	1
17	VF83154	DECAL, BATTERY INSTALLATION	1
18	ZD54000	MOTOR, VAC, 3-STAGE, 24VDC	1
19	VF13502	NUT, LOCK, M6	3
20	VF81508	STUD	3
21	VF13521	NUT, M6	3
22	VF81503	SEAT	1
23	VF14200	SCREW, M6 X 16	9
24	GT13032	WASHER, PLAIN, M6 X M16 X 1.5	9
25	VF82011	HINGE, RECOVERY TANK	1
26	VF83143	LOGO	1
27	VA13477	SELF-TAPPING SCREW, ST, M4 X 16	4
28	VV13664	WASHER, PLAIN, M4 X M12 X 1	4
29	VF82010A	RUBBER HINGE	1
30	VF82010B	GASKET	1
31	VF82010X	KIT, CLEAR LID	1

PARTS LIST

FANG 24T, FANG26T & FANG 28T - SOLUTION CONTROL ASSEMBLY

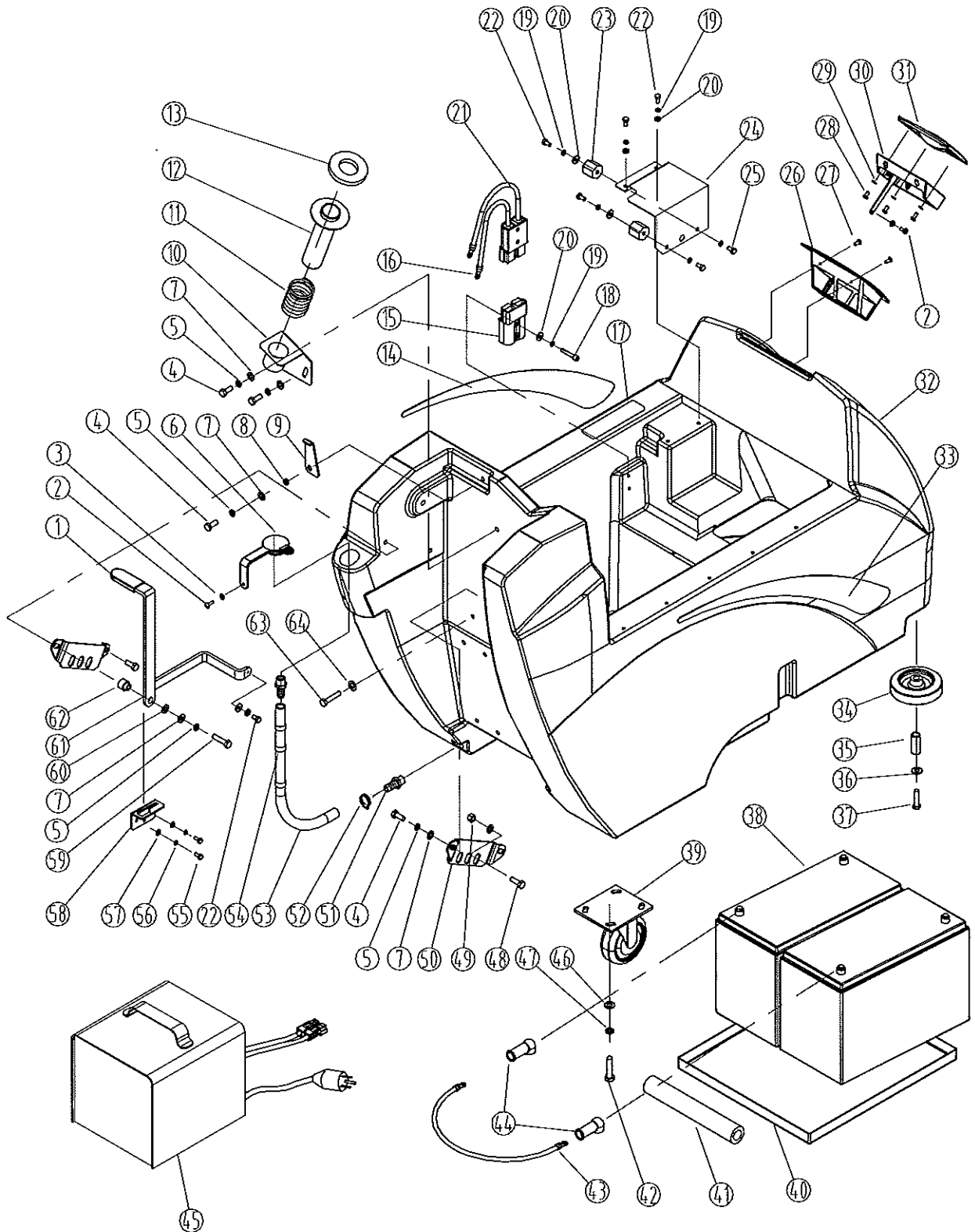


SOLUTION CONTROL - FANG 24T-26T-28T - LIST PRICE

DIA NO	PART NUMBER	DESCRIPTION	NO REQ'D
1	VF14245	SCREW, M5 X 6	2
2	VF82036	SHAFT	1
3	VV13650	SCREW, M4 X 10	1
4	VF13532	WASHER, PLAIN, M5	4
5	VV13601	WASHER, LOCK, M5	4
6	VF14230	SCREW, M5 X 15	2
7	VF13536	WASHER, PLAIN, M9.8 X M16 X 1	2
8	VF82075	NUT, 3/8"	2
9	VF83121	CABLE, SOLENOID	1
10	VF82148	CLAMP, 16mm	14
11	VF82040	HOSE BARB TEE	1
12	VF81134	TUBING, 50mm	2
13	VF82042	ELBOW	2
14	VF81124	TUBING, 115mm	1
15	VF81403A	ELBOW, SOLUTION TANK	2
16	VF80112	MOUNTING BASE, FILTER (2.75" / BLK / VIP)	1
	HP1014	MOUNTING BASE, FILTER (1.5" / WHITE / HY PRO)	1
17	VF80113	MESH FILTER (2.75 / VIP)	1
	HP1012	MESH FILTER (1.5" / HY PRO)	1
18	VF82139	"O" RING (2.75" / VIP)	1
	HP1013	"O" RING (1.5" / HY PRO)	1
19	VF80111	CLEAR COVER, FILTER (2.75" / VIP)	1
	HP1011	CLEAR COVER, FILTER (1.5" / HY PRO)	1
20	VF80111A	KIT, FILTER ASSEMBLY (2.75" / VIP)	1
	HP1016	KIT, FILTER ASSEMBLY (1.5" / HY PRO)	1
21	VV20509	SCREW, M5 X 10	5
22	VF81125	TUBING, 200mm	1
23	VF81126	TUBING, 80mm	1
24	VF13495	SCREW, M6 X 16	4
25	VF13533	WASHER, PLAIN, M6 X M16 X 2	4
26	VF81127	TUBING, 65mm	1
27	VF82033-24	SOLENOID, SOLUTION VALVE, 24VDC	1
28	VV13607	WASHER, LOCK, M6	2
29	VF83120	BRACKET, SOLENOID	1
30	VF13502	NUT, LOCK, M6	2
31	VF81128	TUBING, 320mm	1
32	VF81118	CLAMP	2
33	VF13540	WASHER, WAVE, M12	1
34	VF82037	BRACKET, DRAIN HOSE & VALVE	1
35	VF82069	LABEL, VALVE	1
36	VF82074	BUSHING	1
37	VF82038	KNOB, VALVE ADJUSTMENT	1

PARTS LIST

SOLUTION TANK GROUP FOR FANG 24T, FANG 26T & FANG 28T



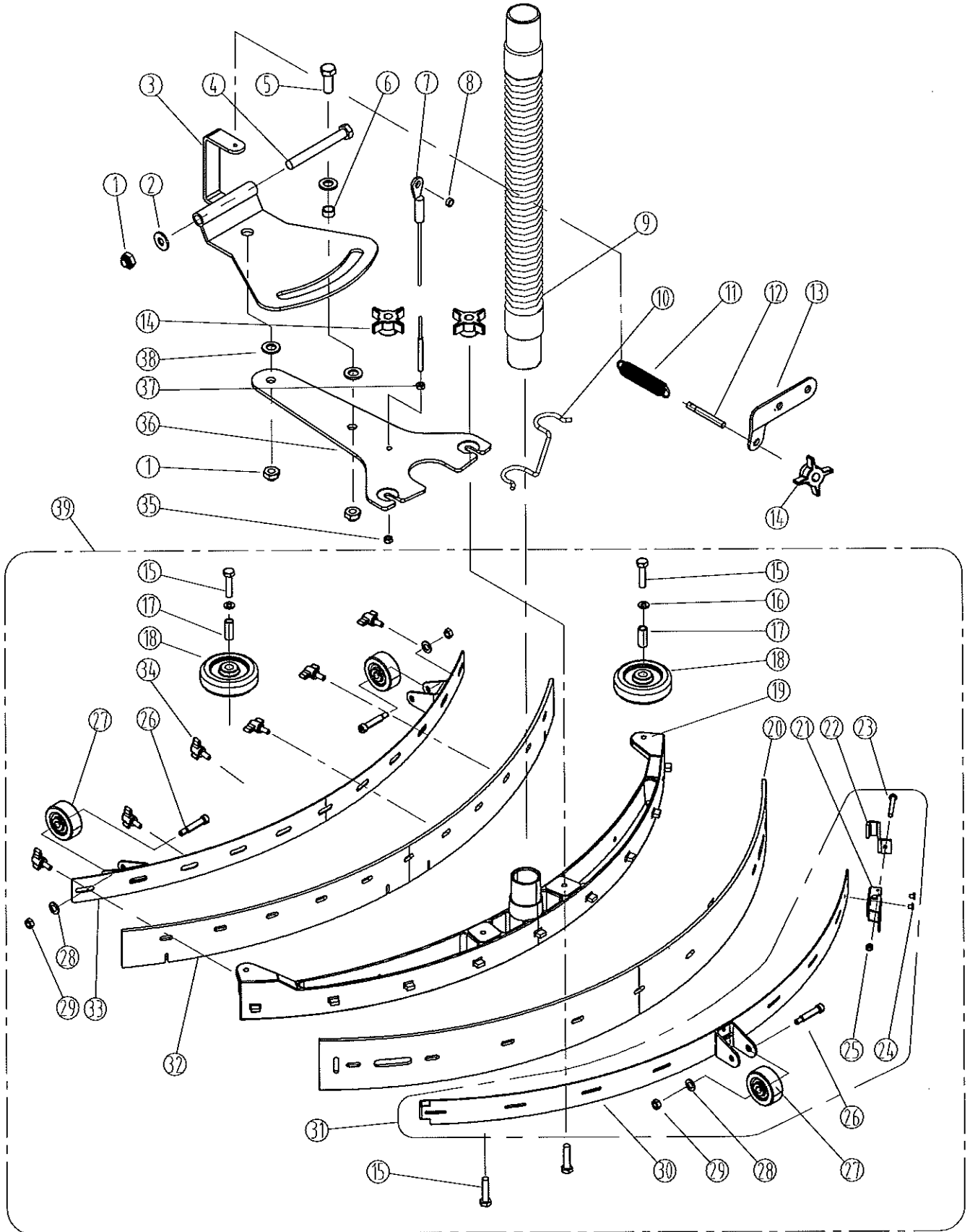
SOLUTION TANK - FANG 24T-26T-28T - LIST PRICE

DIA NO	PART NUMBER	DESCRIPTION	NO REQ'D
1	VF81405	GRIP, HANDLE	1
2	VA13477	SELF-TAPPING SCREW, ST, 4 X 16	3
3	VV13664	WASHER, PLAIN, M4 X M12 X 1	1
4	VV13604	SCREW, M8 X 20	6
5	VF13519	WASHER, LOCK, M5 X M11 X 28	6
6	VF82154	PLUG, EXPANSION	1
7	VF13535	WASHER, PLAIN, M8 X M20 X 2	8
8	VF81406	BUSHING	1
9	VF81404	SUPPORT, RECOVERY TANK	1
10	VF82029	BRACKET, VAC TUBE	1
11	VF82032	SPRING	1
12	VF82030	ADAPTER, TUBE	1
13	VF82031	GASKET, TUBE ADAPTER	1
14	VF82070	LABEL, LEFT	1
15	VF81306	CONNECTOR, 175A	2
16	VF81747	WIRE, #6 X 750	1
17	VF82123	DECAL	1
18	VF13633	SCREW, M6 X 35	2
19	VV13607	WASHER, LOCK, M6	8
20	GT13032	WASHER, PLAIN, M6 X M16 X 1.5	6
21	VF81748	WIRE, #6 X 750	1
22	VF13495	SCREW, M6 X 16	4
23	VF81715	STANDOFF	2
24	VF82067	BRACKET	1
25	VF14232	SCREW, M6 X 10	2
26	VF82078	SCREEN, FILL	1
27	VF13543	SELF-TAPPING SCREW, ST, 4 X 16	2
28	VF13544	SELF-TAPPING SCREW, ST, 4 X 10	6
29	VA13483	WASHER, PLAIN, M4 X M9 X 0.8	7
30	VF82081	PLUG, FILL SCREEN	1
31	VF82079	COVER, FILL SCREEN	1
32	VF83101	SOLUTION TANK	1
33	VF82071	LABEL, RIGHT	1
34	VF99001	WHEEL, 4"	2
35	VF83129	BUSHING	2
36	VF13514A	WASHER, PLAIN, M8 X M16.5 X 1	2
37	VF13635	SCREW, M8 X 50	2
38	BAT195I	BATTERY, 12V, 215 AMP HOUR	2
39	VF83111	CASTER, 4"	2
40	VF83140	TRAY, BATTERY	1
41	VF82072	SPACER, BATTERY	1
42	VF13634	SCREW, M10 X 30	8
43	VF82403	CABLE, BATTERY	1
44	VF81724	CAP, BATTERY, BLACK	2
	VF81724R	CAP, BATTERY, RED	2
45	CHRGR18	CHARGER, 24V, 18AMP	1
	CHRGR18GEL	CHARGER, GEL CEL, 24V, 18AMP	1
46	VF13537	WASHER, PLAIN, M10 X M26 X 2	8
47	VF13518	WASHER, LOCK, M10	8
48	VF14234	SCREW, M8 X 16	2
49	VF13513	NUT, M8	2
50	VF81408	PLATE, LOCK	2
51	VF81416	HOSE BARB	2
52	VF82090	CLAMP (16-25)	1
53	VF81123	TUBING	1
54	VF82306A	KIT, LABEL, MARKERS	1

55	VF14230	SCREW, M5 X 15	3
56	VV13601	WASHER, LOCK, M5	3
57	VF13532	WASHER, PLAIN, M5 X M11 X 2	3
58	VF81202	PLATE, SQUEEGEE, LOCK	1
59	VF14235	SCREW, M8 X 35	1
60	VF48216	WASHER, LOCK, M12.7	1
61	VF83124	HANDLE, SQUEEGEE, LIFT	1
62	VF82050A	BUSHING	1
63	VF14248	SCREW, M8 X 100	1
64	VA13516	WASHER, PLAIN, M10 X M30 X 1.5	1

PARTS LIST

FANG 24T, FANG 26T & FANG 28T - SQUEEGEE ASSEMBLY



SQUEEGEE ASSEMBLY - FANG 24T - 26T - 28T

DIA NO	PART NUMBER	DESCRIPTION	NO REQ'D
1	VF13501	NUT, LOCK, M12	3
2	VF13538	WASHER, PLAIN, M12 X M26 X 2	1
3	VF83122	MOUNT, PIVOT	1
4	VF13637	SCREW, M12 X 130	1
5	VF14238	SCREW, M12 X 30	2
6	VF82016A	BUSHING	2
7	VF81243	CABLE, SQUEEGEE, LIFT	1
8	VF82112	BUSHING	1
9	VF81203A	HOSE	1
10	VF83150	HOLDER, "U" HOSE	1
11	VF83144	SPRING	1
12	VF82047	SHAFT	1
13	VF83125	BRACKET, SPRING	1
14	VF81210	KNOB, M8	3
15	VF14236	SCREW, M8 X 40	4
16	VF13514A	WASHER, PLAIN, M8 X M16.5 X 1	2
17	VF82055	BUSHING	2
18	VF82013	WHEEL, 3"	2
19	VF81201	HOUSING, SQUEEGEE (24T & 26T)	1
	VF81231	HOUSING, SQUEEGEE (28T)	1
20	VF81206	BLADE, SQUEEGEE, REAR, PU (24T & 26T)	1
	VF81216	BLADE, SQUEEGEE, REAR, NEOPRENE (24T & 26T)	1
	VF81237	BLADE, SQUEEGEE, REAR, PU (28T)	1
	VF81235	BLADE, SQUEEGEE, REAR, NEOPRENE (28T)	1
21	VF81218	LATCH, HOOD	1
22	VF81209	HOOK, REAR SQUEEGEE BACKUP ADJUSTMENT	1
23	VF14310	SCREW, M5 X 70	1
24	VF81208	RIVET, M4 X 5	2
25	GT13022	NUT, LOCK, M5	1
26	VF81222	BOLT, SHOULDER, 5/16" X 1.25"	3
27	VF81219	WHEEL, 2"	3
28	VF13535	WASHER, PLAIN, M8 X M20 X 2	3
29	VV20203	NUT, LOCK, 5/16"	3
30	VF81214	BACKUP STRIP, SQUEEGEE, REAR (24T & 26T)	1
	VF81233	BACKUP STRIP, SQUEEGEE, REAR (28T)	1
31	VF81214A	BACKUP STRIP, ASSEMBLY (24T & 26T)	1
	VF81233A	BACKUP STRIP, ASSEMBLY (28T)	1
32	VF81205	BLADE, SQUEEGEE, FRONT, PU (24T & 26T)	1
	VF81215	BLADE, SQUEEGEE, FRONT, NEOPRENE (24T & 26T)	1
	VF81236	BLADE, SQUEEGEE, FRONT, PU (28T)	1
	VF81234	BLADE, SQUEEGEE, FRONT, NEOPRENE (28T)	1
33	VF81213	BACKUP STRIP, SQUEEGEE, FRONT (24T & 26T)	1
	VF81232	BACKUP STRIP, SQUEEGEE, FRONT (28T)	1
34	VF82121	KNOB, M6	6
35	VF13502	NUT, LOCK, M6	1
36	VF83123	BRACKET, SQUEEGEE, MOUNT	1
37	VF13521	NUT, M6	1
38	VF13539	WASHER, PLAIN, M12 X M32 X 2	4
39	VF81008A	SQUEEGEE ASSEMBLY (24T & 26T)	1
	VF81008B	SQUEEGEE ASSEMBLY (28T)	1

WIRING DIAGRAM FOR FANG 24T, FANG 26T & FANG 28T

