

**VIPER**

FANG

FANG32T

32" AUTOSCRUBBER

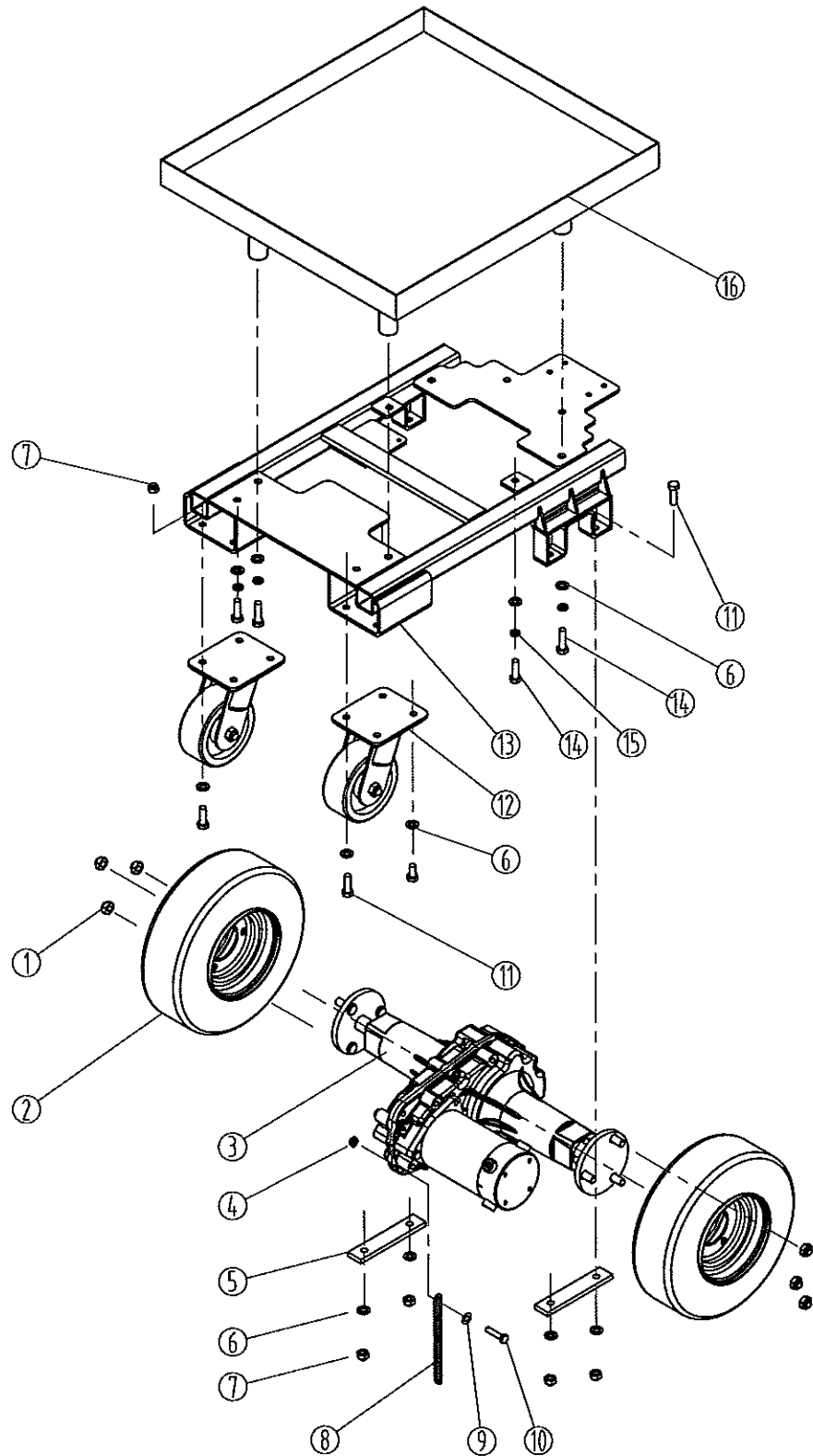


## FANG 32T - CONTROL HOUSING - LIST PRICE

DIA NO	PART NUMBER	DESCRIPTION	NO REQ'D
1	VF84703	BUSHING	2
2	VF13491	SCREW, M4 X 12	7
3	VF14122	WASHER, PLAIN, M10 X M20 X 2	2
4	VF14121	SCREW, M10 X 65	2
5	VF13502	NUT, LOCK, M6	10
6	GT13032	WASHER, PLAIN, M6	6
7	VF81781	DIODE, 400V	3
8	VF84716	SOLENOID, 36V	3
9	VF13495	SCREW, M6 X 16	12
10	VF84720	PUSH BUTTON SWITCH	1
11	VF84701	HOUSING, CONTROL	1
12	VF14078	SCREW, M3 X 10	6
13	VA50477	WASHER, PLAIN, M3 X M10 X 1	6
14	VF84711	GASKET	1
15	VF84717	LIGHTS,BATTERY CAPACITY	1
16	VF81719	SPACER	6
17	VF84702	LABEL, SWITCH (FANG 32T)	1
18	VF84704	PANEL, SWITCH (32")	1
19	VF81727	GAUGE, BRUSH PRESSURE	1
20	VF81725	SWITCH, BRUSH LIFT	1
21	VF84722	SWITCH, LIGHTED ROCKER	3
22	VF14200	SCREW, M6 X 16	12
23	VF81730	KNOB, SPEED CONTROL	1
24	VF82305	LABEL, SPEED CONTROL	1
25	VF84710	PIN, HANDLE LOCK	2
26	VF81716	SPRING	1
27	VF81710	PIN, HANDLE ADJUSTMENT	2
28	VF81729	POTENTIOMETER, 4.7K	1
29	VF84718	PLATE	1
30	VF84719	BOARD, SPEED CONTROL	1
31	VF84712	LABEL, CIRCUIT BREAKER	1
32	VF84713	SERIAL TAG	1
33	VF84705	PANEL, CONTROL HOUSING	1
34	VF84715	LABEL, CIRCUIT BREAKER	1
35	VF84723	CONTROL BOARD, BATTERY CAPACITY	1
36	VF99012	BREAKER, CIRCUIT, 12 AMP	1
37	VF84708	HANDLE, RIGHT	1
38	VF81711	BOLT, SHOULDER, M8 X 15 X M6	2
39	VF82327	GUIDE, SWITCH	1
40	VF84707	HANDLE, LEFT	1
41	VF81712	SPRING	1
42	VF13514A	WASHER, PLAIN, M8 X M16.5 X 1	2
43	VF14212	SCREW, M3 X 25	2
44	VF13511	WASHER, TOOTH, M3	2
45	VF44203	SWITCH ASSEMBLY	1
46	VF84706	BRACKET, SWITCH (32")	1
47	VV13652	NUT, LOCK, M3	2
48	VF84709	TUBE, HANDLE, ADJUSTMENT	1
49	VF82153	KEY SWITCH	1
50	VF82160	LABEL, KEY SWITCH	1
51	VF84721	CORD STRAIN RELIEF	1
52	VF81722	SWITCH, TOGGLE	1
53	VF81734	BREAKER, CIRCUIT, 35 AMP	3

PARTS LIST

FANG 32T - MAIN FRAME AND DRIVE ASSEMBLY

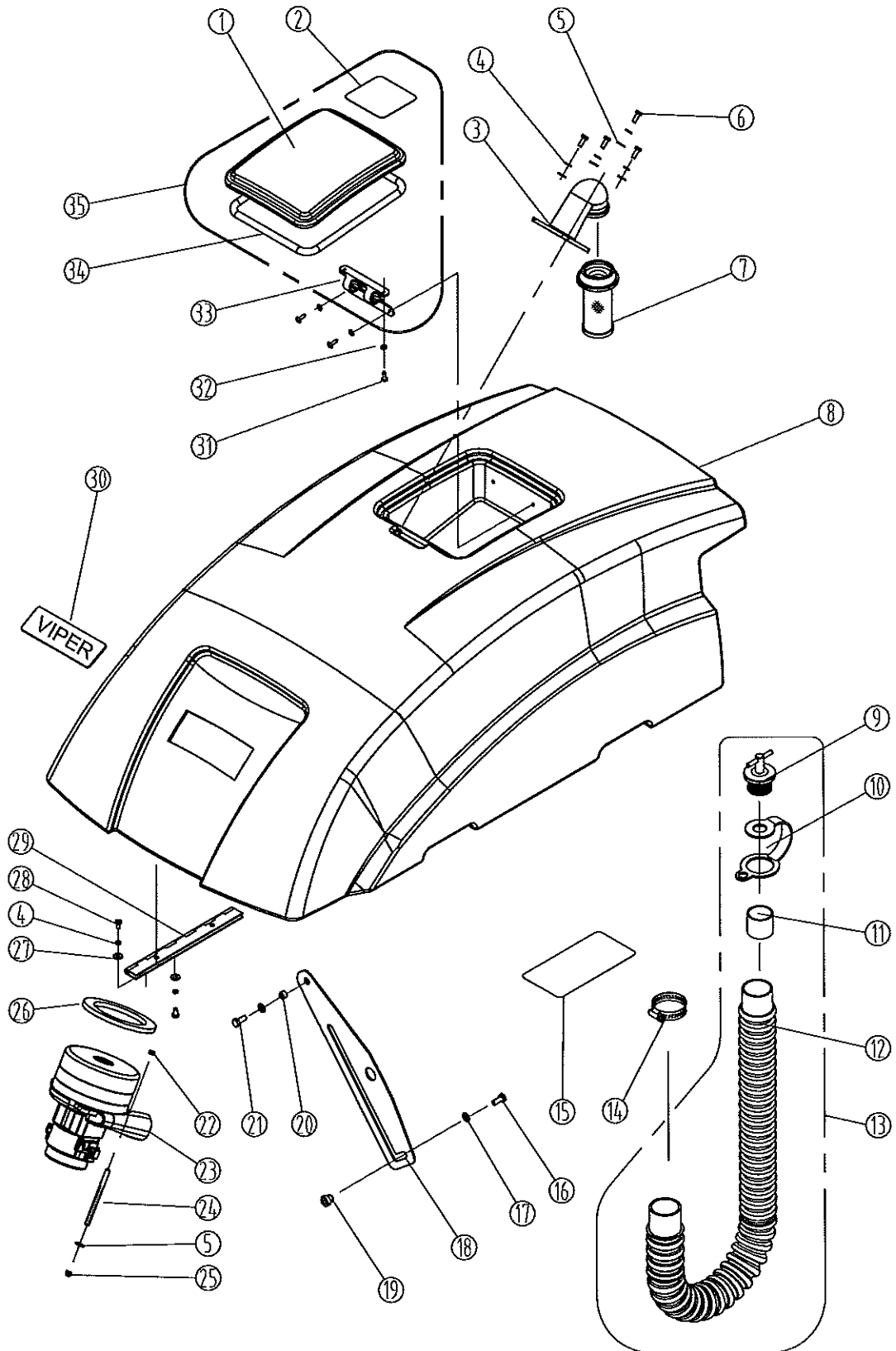


## FANG 32T - MAIN FRAME AND DRIVE ASSEMBLY - LIS

DIA NO	PART NUMBER	DESCRIPTION	NO REQ'D
1	VF13501	NUT, LOCK, M12	6
2	VF84118	TIRE, FOAM FILLED, BLACK (OPTIONAL)	2
	VF84119	TIRE, BLACK (STANDARD)	2
3	VF84800	TRANSAXLE	1
	ZD13000	TRANSAXLE MOTOR, 36VDC	1
4	VF13503	NUT, LOCK, M8	1
5	VF84112	PLATE, TRANSAXLE	2
6	VF13537	WASHER, PLAIN, M10 X M26 X 2	22
7	VF13504	NUT, LOCK, M10	12
8	VF84122	CHAIN, STATIC	1
9	VF13535	WASHER, PLAIN, M8 X M20 X 2	1
10	VF14235	SCREW, M8 X 35	1
11	VF14123	SCREW, M10 X 25	12
12	VF84117	CASTER, 5"	2
13	VF84103	FRAME	1
14	VF13634	SCREW, M10 X 30	10
15	VF13518	WASHER, LOCK, M10	10
16	VF84125	BATTERY TRAY	1

**PARTS LIST**

**FANG 32T - RECOVERY TANK ASSEMBLY**

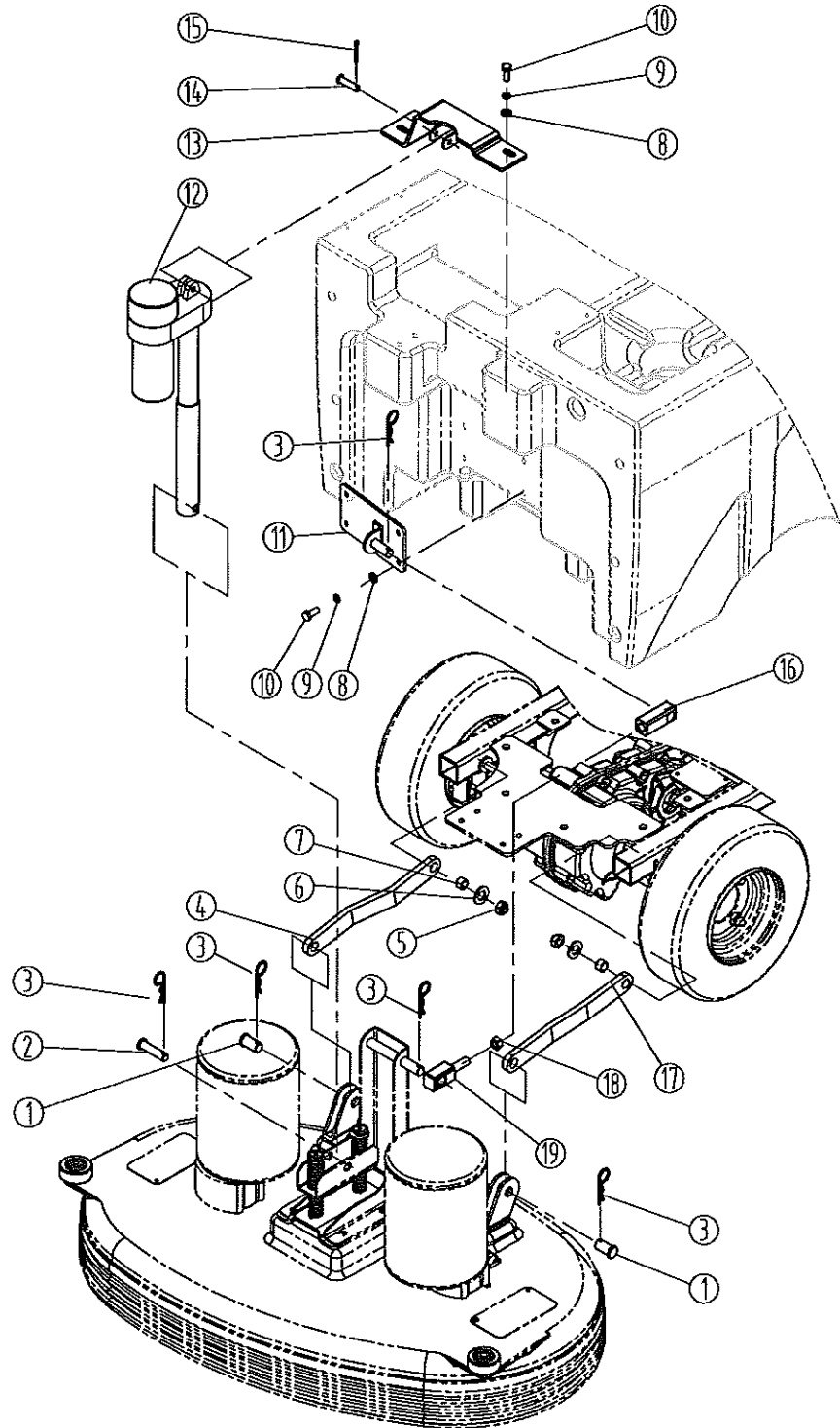


## FANG 32T - RECOVERY TANK ASSEMBLY - LIST P

DIA NO	PART NUMBER	DESCRIPTION	NO REQ'D
1	VF82010	CLEAR COVER, RECOVERY TANK	1
2	VF82083	DECAL, BATTERY WARNING	1
3	VF82009	ELBOW ADAPTOR, FLOAT	1
4	VV13607	WASHER, LOCK, M6	14
5	VF13533	WASHER, PLAIN, M6 X M16 X 2	7
6	VF14233	SCREW, M6 X 20	4
7	VF81504	FLOAT	1
8	VF84102	RECOVERY TANK	1
9	VF81509	EXPANSION PLUG	1
10	VF81510-9	STRAP, DRAIN HOSE	1
11	VF81510-2	SLEEVE, DRAIN HOSE	1
12	VF81510-1	DRAIN HOSE	1
13	VF81510A	DRAIN HOSE ASSEMBLY	1
14	VV10113	CLAMP, 2"	2
15	VF84124	DECAL, BATTERY INSTALLATION	1
16	VF14235	SCREW, M8 X 35	1
17	VF13535	WASHER, PLAIN, M8 X M20 X 2	2
18	VF84107	BRACKET, DROP ARM	1
19	VF84133	BUSHING	1
20	VF84216	BUSHING	1
21	VA13491	SCREW, M8 X 25	1
22	VF13521	NUT, M6	3
23	ZD60000	MOTOR, VACUUM, 3 STAGE, 36VDC	1
24	VF81508	STUD (24")	3
25	VF13502	NUT, LOCK, M6	3
26	VF81503	SEAT	1
27	GT13032	WASHER, PLAIN, M6 X M16 X 1.5	10
28	VF14200	SCREW, M6 X 16	10
29	VF84113	HINGE, RECOVERY TANK	2
30	VF83143	LOGO	1
31	VA13477	SCREW, SELF-TAPPING, ST, M4 X 16	4
32	VV13664	WASHER, PLAIN, M4 X M12 X 1	4
33	VF82010A	RUBBER HINGE	1
34	VF82010B	GASKET	1
35	VF82010-X	KIT, LID	1

PARTS LIST

FANG 32T - SCRUB HEAD LIFT ASSEMBLY



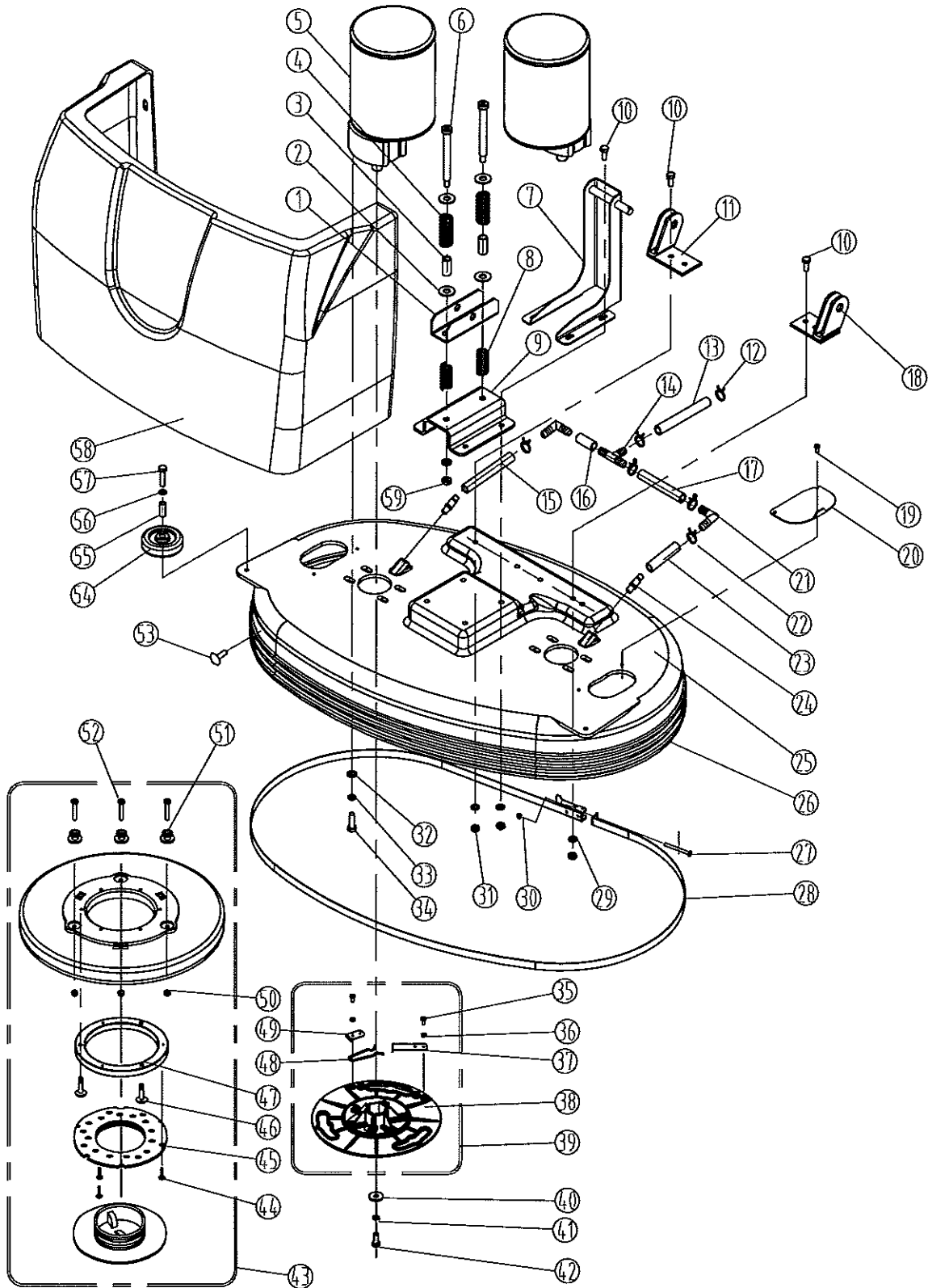


## FANG 32T - SCRUB HEAD LIFT ASSEMBLY - LIST I

DIA NO	PART NUMBER	DESCRIPTION	NO REQ'D
1	VF84316	PIN, M16 X 30	2
2	VF84317	PIN, M13 X 51	1
3	VF84309	PIN, COTTER, M3 X 60.5	5
4	VF84105	ARM, LIFT, LEFT	1
5	VF13501	NUT, LOCK, M12	2
6	VF13538	WASHER, PLAIN, M12 X M22 X 2	2
7	VF84116	BUSHING	2
8	VF13535	WASHER, PLAIN, M8 X M20 X 2	7
9	VF13519	WASHER, LOCK, M8	7
10	VV13604	SCREW, M8 X 20	7
11	VF84336	BRACKET, BRUSH LIFT	1
12	VF84332	ACTUATOR, 36VDC	1
13	VF84310	BRACKET, ACTUATOR	1
14	VF84322	PIN, M9.5 X 37	1
15	VF14084	PIN, COTTER, M3.2 X 24	1
16	VF84337	ADJUST NUT	1
17	VF84121	ARM, LIFT, RIGHT	1
18	VF14057A	NUT, M12	1
19	VF84338	ADJUST SCREW	1

PARTS LIST

FANG 32T - SCRUB HEAD ASSEMBLY



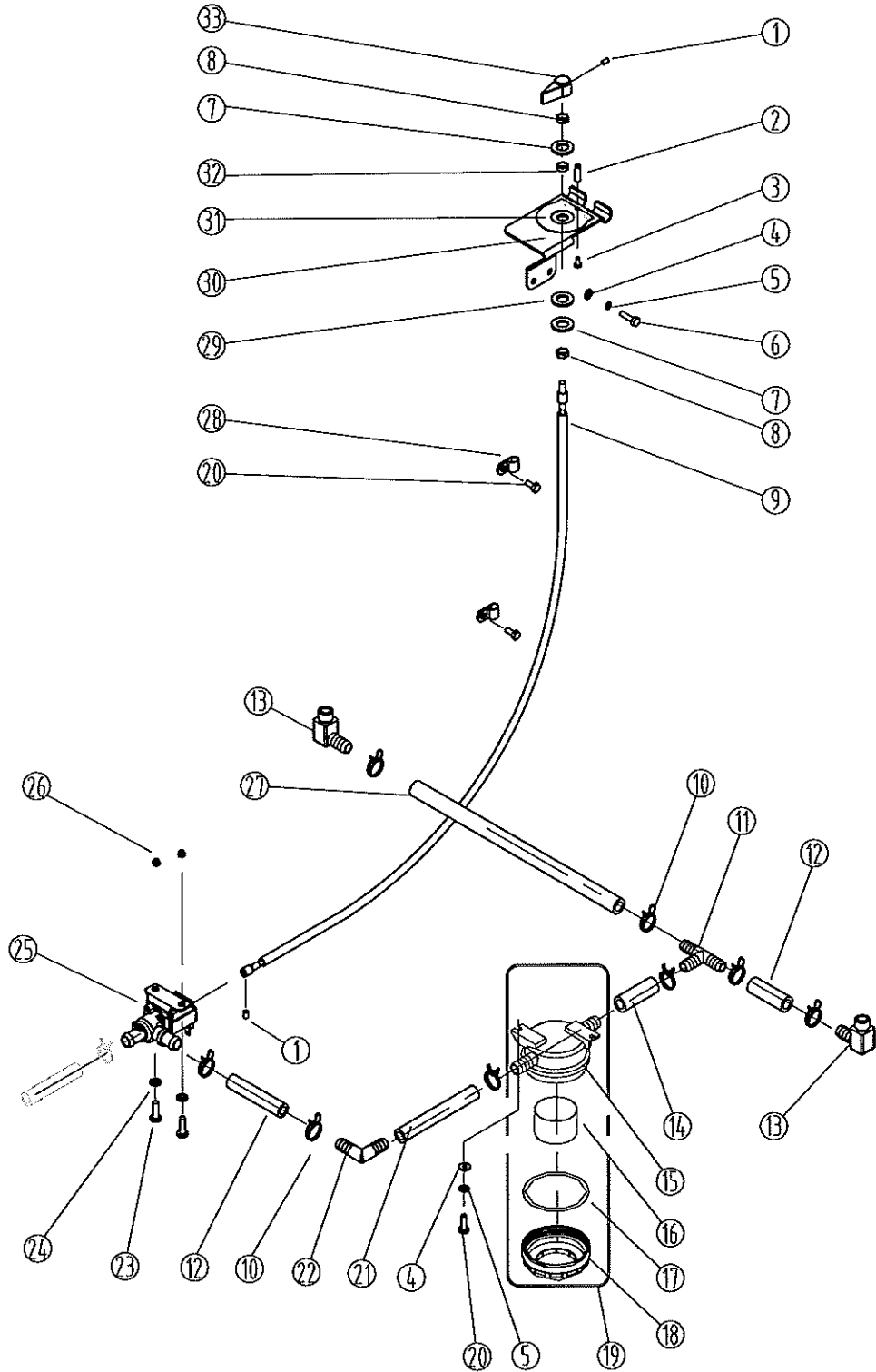
**FANG 32T - SCRUB HEAD ASSEMBLY**

DIA NO	PART NUMBER	DESCRIPTION	NO REQ'D
1	VF84315	BRACKET, SPRING	1
2	VF13615	WASHER, PLAIN, M13 X M30 X 2	4
3	VF84312	SLEEVE	2
4	VF84313	SPRING	2
5	ZD11000	BRUSH, MOTOR, 36VDC, 1HP	2
	ZD45407	KEY, 6.35 X 25	2
6	VF84311	BOLT, SHOULDER, 1/4" X 4.25" X 3/8"	2
7	VF84335	BRACKET, BRUSH LIFT	1
8	VF84314	SPRING	2
9	VF84304	BRACKET, SPRING MOUNT	1
10	VA13491	SCREW, M8 X 25	9
11	VF84305A	BRACKET, LIFT, RIGHT	1
12	VF82161	CLAMP, (16-25)	1
13	VF84333	TUBING, 145mm	1
14	VF82040	HOSE BARB, TEE	1
15	VF84334	TUBING, 135mm	1
16	VF84345	TUBING, 125mm	1
17	VF84346	TUBING, 275mm	1
18	VF84303	BRACKET, LIFT, LEFT	1
19	VV20509	SCREW, M5 X 10	4
20	VF84325	DOOR, SCRUB HEAD	2
21	VF82042	ELBOW	2
22	VF82148	CLAMP, 16mm	7
23	VF82138	TUBING, 75mm	1
24	VF14052	HOSE BARB	2
25	VF84302	COVER, SCRUB HEAD	1
26	VF84323	SKIRT, SCRUB HEAD	1
27	VF14310	SCREW, M5 X 70	1
28	VF84324	CLAMP, SKIRT	1
29	VF13542	WASHER, PLAIN, M8 X M20 X 2	9
30	GT13022	NUT, LOCK, M5	1
31	VF13503	NUT, LOCK, M8	8
32	VF13537	WASHER, PLAIN, M10 X M26 X 2	8
33	VV13620	WASHER, LOCK, 3/8"	8
34	VF14242	SCREW, 3/8"-1"	10
35	VF13545	SCREW, SELF-TAPPING, ST, M5 X 10	8
36	VV13601	WASHER, LOCK, M5	8
37	VF83134	STOP, DRIVE RELEASE	2
38	VF83130	PLATE, DRIVE	2
39	VF83130A	PLATE, DRIVE, ASSY	1
40	VF82058	WASHER	2
41	VV20298	WASHER, LOCK, 5/16"	2

42	VF14241	SCREW, 5/16" - 1"	2
43	VF84329	PAD DRIVE, 15"	2
44	VA13484	SCREW, SELF-TAPPING, ST, M4 X 12	6
45	VF99003A	BIG MOUTH	2
46	MF-VFO02.4A	SCREW, SELF-TAPPING, 1/4" - 1"	6
47	VF83118	SPACER	2
48	VF83132	SPRING	2
49	VF83131	CLAMP, BRUSH PLATE	2
50	VF13502	NUT, LOCK, M6	6
51	VF83133	STUD	6
52	VF14225A	SCREW, M6 X 40	6
53	VF84134	PUSH SCREW	4
54	VF82013	WHEEL, 3"	2
55	VF82055	BUSHING	2
56	VF13514A	WASHER, PLAIN, M8 X M16.5 X 1	2
57	VF14236	SCREW, M8 X 40	4
58	VF84104	COVER, FRONT	1
59	VF84326	NUT, LOCK, 3/8"	2

**PARTS LIST**

**FANG 32T - SOLUTION CONTROL ASSEMBLY**

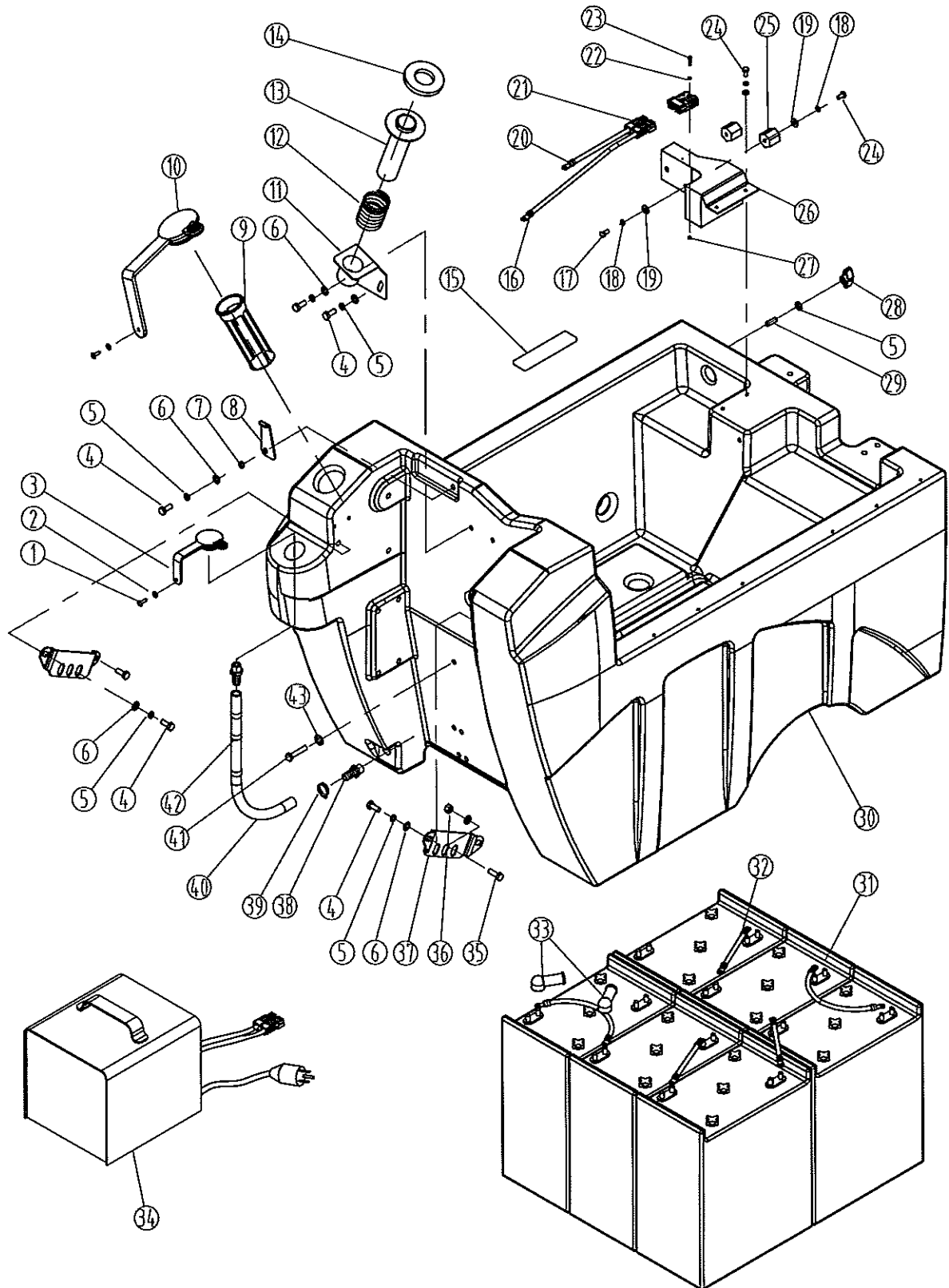


FANG 32T - SOLUTION CONTROL ASSEMBLY - LIST PRICE

DIA NO	PART NUMBER	DESCRIPTION	NO REQ'D
1	VF14245	SCREW, M5 X 6	2
2	VF82036	SHAFT	1
3	VV13650	SCREW, M4 X 10	1
4	VF13532	WASHER, PLAIN, M5	4
5	VV13601	WASHER, LOCK, M5	4
6	VF14230	SCREW, M5 X 15	2
7	VF13536	WASHER, PLAIN, M9.8 X M16 X 1	2
8	VF82075	NUT, 3/8"	2
9	VF84123	CABLE, SOLENOID	1
10	VF82148	CLAMP, 16mm	10
11	VF82040	HOSE BARB, TEE	1
12	VF84333	TUBING, 145mm	2
13	VF81403A	ELBOW, SOLUTION TANK	2
14	VF82138	TUBING, 75mm	1
15	VF80112	SEAT, FILTER	1
16	VF80113	SCREEN, FILTER	1
17	VF82139	"O"RING, M2.65 X M64.8	1
18	VF80111	COVER, FILTER	1
19	VF80111A	KIT, FILTER	1
20	VV20509	SCREW, M5 X 10	5
21	VF84347	TUBING, 210mm	1
22	VF82042	ELBOW	1
23	VF13495	SCREW, M6 X 16	4
24	VF13533	WASHER, PLAIN, M6 X M16 X 2	4
25	VF84120	SOLUTION VALVE SOLENOID, 36VDC	1
26	VF13502	NUT, LOCK, M6	2
27	VF84348	TUBING, 350mm	1
28	VF81118	CLAMP	2
29	VF13540	WASHER, WAVE, M12	1
30	VF82037	BRACKET, DRAIN HOSE & VALVE	1
31	VF82069	LABEL, VALVE	1
32	VF82074	BUSHING	1
33	VF82038	KNOB, VALVE ADJUST	1

PARTS LIST

FAN32T - SOLUTION TANK ASSEMBLY



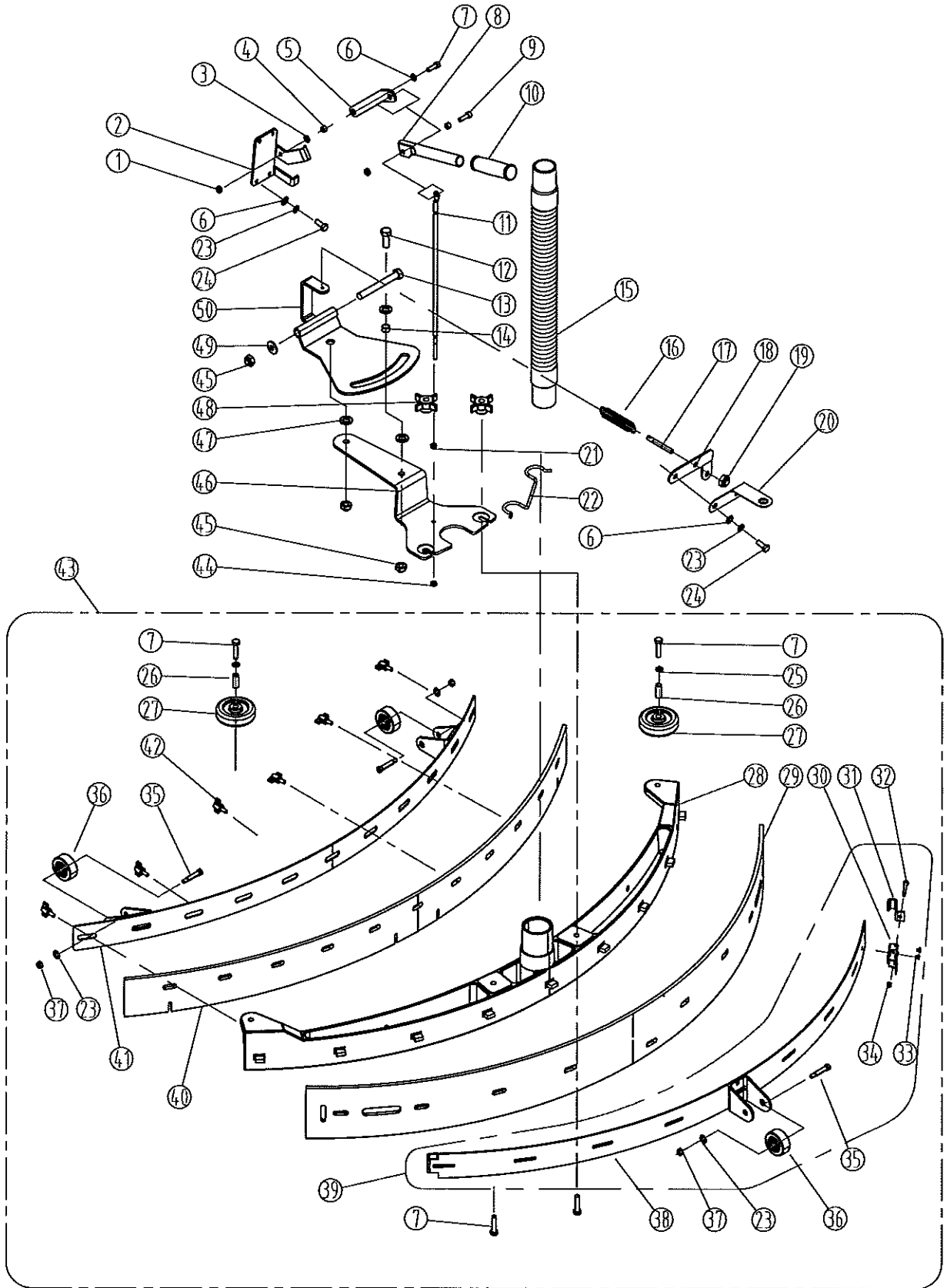
## FANG 32T - SOLUTION TANK ASSEMBLY - LIST P

DIA NO	PART NUMBER	DESCRIPTION	NO REQ'D
1	VA13477	SCREW, SELF-TAPPING, ST, M4 X 16	4
2	VV13664	WASHER, PLAIN, M4 X M12 X 1	2
3	VF82154	EXPANSION PLUG	1
4	VV13604	SCREW, M8 X 20	8
5	VF13519	WASHER, LOCK, M8	12
6	VF13535	WASHER, PLAIN, M8 X M20 X 2	8
7	VF81406	BUSHING	1
8	VF81404	SUPPORT, RECOVERY TANK	1
9	VF46454	FILTER, INTAKE TANK	1
10	VF84340	PLUG, EXPANSION	1
11	VF82029	BRACKET, VAC TUBE	1
12	VF82032	SPRING	1
13	VF82030	ADAPTER, TUBE	1
14	VF82031	GASKET, TUBE ADAPTER	1
15	VF82123	DECAL	1
16	VF82401	WIRE, #6 X 600	1
17	VF14232	SCREW, M6 X 10	2
18	VV13607	WASHER, LOCK, M6	8
19	GT13032	WASHER, PLAIN, M6 X M16 X 1.5	6
20	VF82402	WIRE, #6 X 600	1
21	VF81723G	CONNECTOR, GREY, 50A	2
22	VF13511	WASHER, TOOTH, M3	2
23	VF14244	SCREW, M3 X 20	2
24	VF13495	SCREW, M6 X 16	4
25	VF81715	STANDOFF	2
26	VF84109	BRACKET	1
27	VV13652	NUT, LOCK, M3	2
28	VF84110	KNOB, M8	4
29	VF84111	SCREW, M8 X 35	4
30	VF84101	SOLUTION TANK	1
31	VF84127	BATTERY, 6V, 305AMP HOUR	6
32	VF84132	CABLE, BATTERY	1
33	VF81724	CAP, BATTERY, BLACK	2
	VF81724R	CAP, BATTERY, RED	2
34	VF84128	CHARGER, 36V, 30AMP	1
35	VF14234	SCREW, M8 X 16	2
36	VF13513	NUT, M8	2
37	VF81408	PLATE, LOCK	2
38	VF81416	HOSE BARB	2
39	VF82161	CLAMP (16-25)	1
40	VF84126	TUBING	1
41	VF14248	SCREW, M8 X 100	1
42	VF84129A	KIT, LABEL, MARKERS	1
43	VA13516	WASHER, PLAIN, M10 X M30 X 1.5	1



PARTS LIST

FANG 32T - SQUEEGEE AND SQUEEGEE LIFT ASSEMBLY



FANG 32T - SQUEEGEE AND SQUEEGEE LIFT ASSEMBLY - LIST

DIA NO	PART NUMBER	DESCRIPTION	NO REQ'D
1	VF13503	NUT, LOCK, M8	2
2	VF84220	BRACKET, SQUEEGEE LIFT	1
3	VF13514	WASHER, PLAIN, M8 X M16.5 X 1.5	1
4	VF84222	BUSHING	2
5	VF84218	ARM, SQUEEGEE LIFT	1
6	VF13535	WASHER, PLAIN, M8 X M20 X 2	6
7	VF14236	SCREW, M8 X 40	5
8	VF84217	HANDLE, LIFT	1
9	VF14067	SCREW, M8 X 25	1
10	VF48310	GRIP, HANDLE	1
11	VF84219	CABLE, SQUEEGEE, LIFT	1
12	VF14238	SCREW, M12 X 30	2
13	VF13637	SCREW, M12 X 130	1
14	VF82016A	BUSHING	2
15	VF84223	HOSE	1
16	VF83144	SPRING	1
17	VF82047	SHAFT	1
18	VF83125	BRACKET, SPRING	1
19	VF13513	NUT, M8	1
20	VF84221	BRACKET, CABLE GUIDE	
21	VF13521	NUT, M6	1
22	VF83150	HOLDER, "U" HOSE	1
23	VF13519	WASHER, LOCK, M8	4
24	VV13604	SCREW, M8 X 20	4
25	VF13514A	WASHER, PLAIN, M8 X M16.5 X 1	2
26	VF82055	BUSHING	2
27	VF82013	WHEEL, 3"	2
28	VF84202	HOUSING, SQUEEGEE (FANG 32T)	1
29	VF84208	BLADE, SQUEEGEE, REAR, PU (FANG 32T)	1
30	VF81218	LATCH, HOOD	1
31	VF81209	HOOK, REAR SQUEEGEE BACKUP ADJUSTMENT	1
32	VF14310	SCREW, M5 X 70	1
33	VF81208	RIVET, M4 X 5	2
34	GT13022	NUT, LOCK, M5	1
35	VF81222	BOLT, SHOULDER, 5/16" X 1.25"	3
36	VF81219	WHEEL, 2"	3
37	VV20203	NUT, LOCK, 5/16"	3
38	VF84206	BACKUP STRIP, SQUEEGEE, REAR (FANG 32T)	1
39	VF84206A	KIT, BACKUP STRIP, SQUEEGEE	1
40	VF84207	BLADE, SQUEEGEE, FRONT, PU (FANG 32T)	1
41	VF84205	BACKUP STRIP, SQUEEGEE, FRONT (FANG 32T)	1
42	VF82121	KNOB, M6	6
43	VF84200	SQUEEGEE ASSEMBY (FANG 32T)	1
44	VF13502	NUT, LOCK, M6	1
45	VF13501	NUT, LOCK, M12	3
46	VF84204	BRACKET, SQUEEGEE, MOUNT	1
47	VF13539	WASHER, PLAIN, M12 X M32 X 2	4
48	VF81210	KNOB, M8	2
49	VF13538	WASHER, PLAIN, M12 X M26 X 2	1
50	VF84214	MOUNT, PIVOT	1

# WIRING DIAGRAM FOR FANG32T

