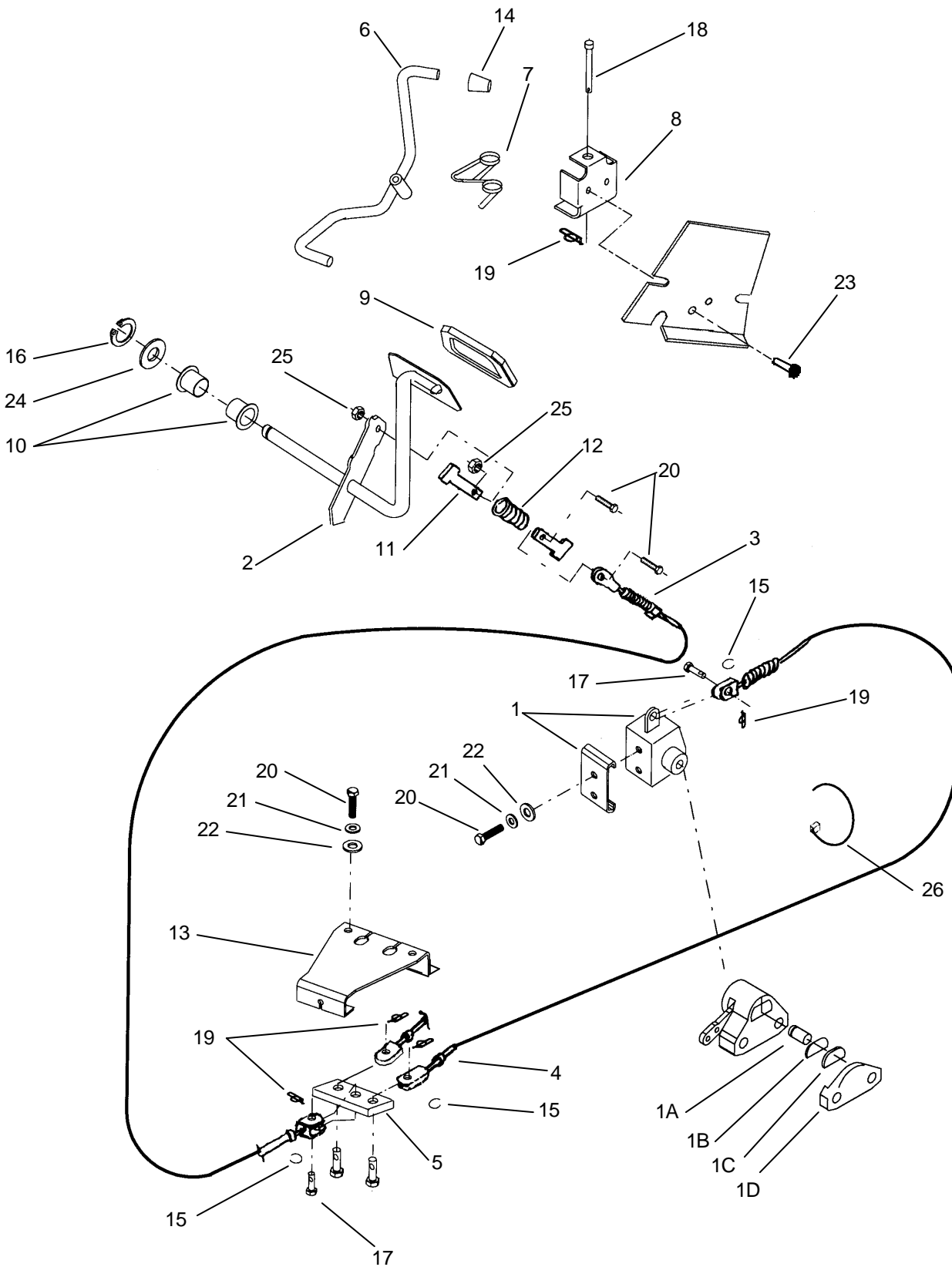


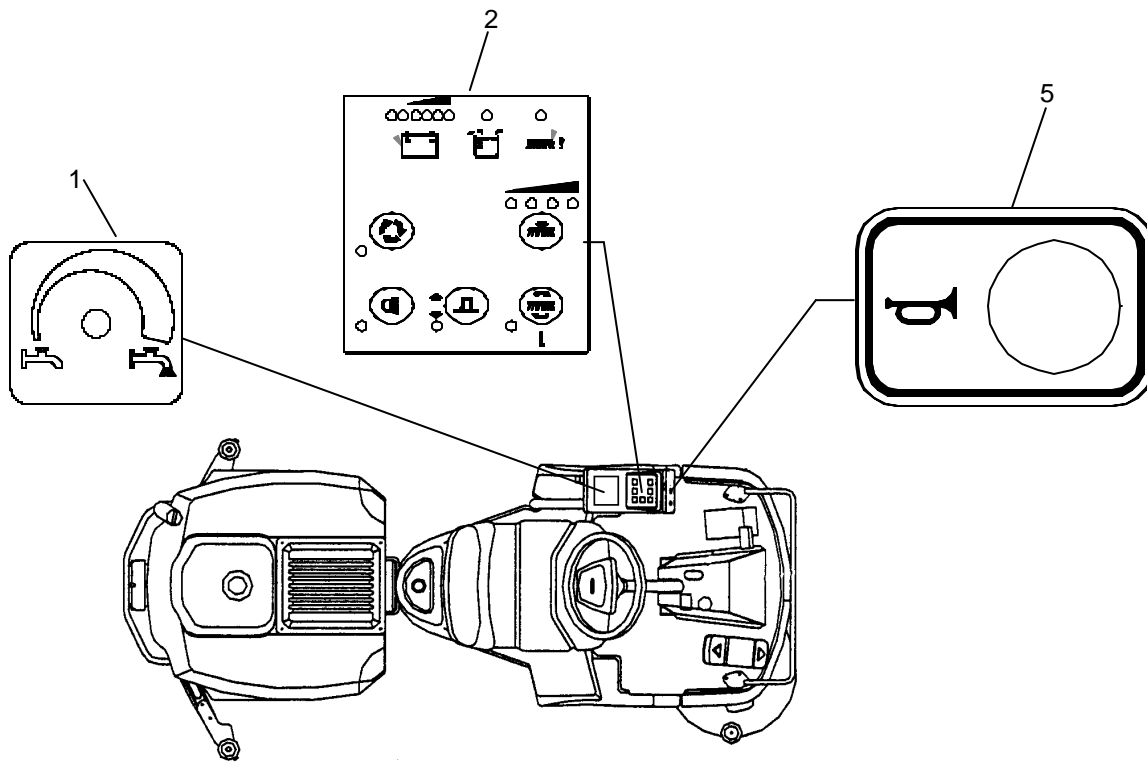
BRAKE GROUP



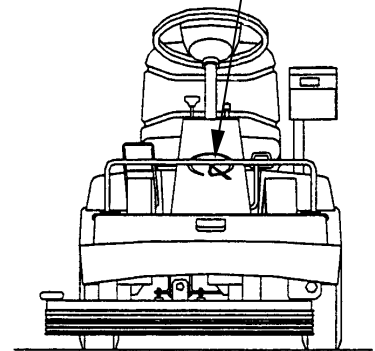
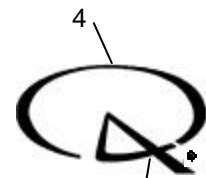
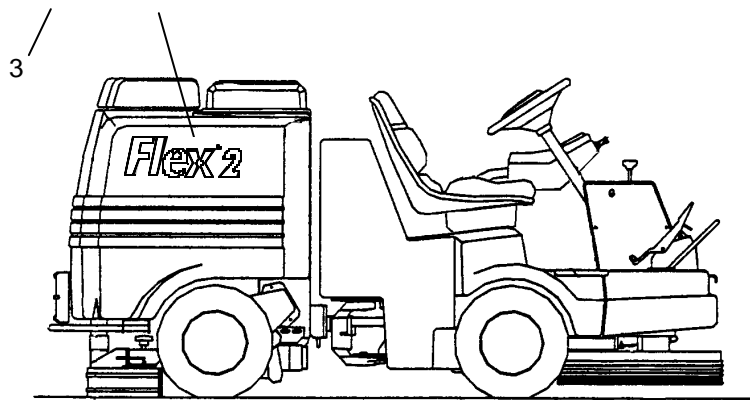
BRAKE GROUP

REF	PART NO.	QTY	DESCRIPTION	SERIAL NO. FROM	NOTES:
1	81916	2	CALIPER, BRAKE 3 O'CLOCK CW		
1A	83050	1	CALIPER ACTUATING PIN		SERVICE ONLY
1B	83051	1	BACKING PLATE, CALIPER		SERVICE ONLY
1C	83052	1	PUCK CALIPER		SERVICE ONLY
1D	83053	1	CALIPER, ANVIL SUB-ASSEMBLY		SERVICE ONLY
2	81773	1	WELDMENT, BRAKE PEDAL		
3	81816	1	CABLE, FORWARD BRAKE		
4	81817	2	CABLE, BRAKE REAR		
5	81777	1	BAR, EQUALIZER		
6	81831	1	WELDMENT, PARKING BRAKE		
7	81946	1	SPRING, TORSION		
8	81829	1	CHANNEL, PARKING BRAKE MOUNT		
9	81972	1	PAD, BRAKE PEDAL		
10	81325	2	BEARING, 1/2 ID X 7/32 L NYLON		
11	81992	2	PLATE, SPRING RETAINER		
12	81993	1	SPRING, COMP. .97 D X 1.5 L X .125 W		
13	830873	1	CHANNEL, CABLE MOUNT		
14	81997	1	CAP, ROD END, .281ID X .75L PVC		
15	67381	5	RING, 1/4 CLIP		
16	67132	1	RING, 1/2 EXT SNAP H-D		
17	82053	5	PIN, CLEVIS 1/4 X 5/8 PLTD		
18	82052	1	PIN, CLEVIS 3/16 X 1.5 PLTD		
19	80604	6	COTTER, 1/4 RUE		
20	70270	8	SCR, 1/4-20 X 3/4 HHCS PLTD		
21	87162	6	WASHER, 1/4 SPLIT LOCK		
22	87013	6	WASHER, 1/4 OD X 5/8 OD SS		
23	70384	2	SCR, 1/4-20 X 1/2 PHTR		
24	87119	1	WASHER, .53 ID X 1.0 OD X .06 PLTD		
25	57047	2	NUT, 1/4-20 HEX NYLOCK		
26	27049	3	CABLE TIE, 7" UL/CSA		

DECAL GROUP



Flex 2

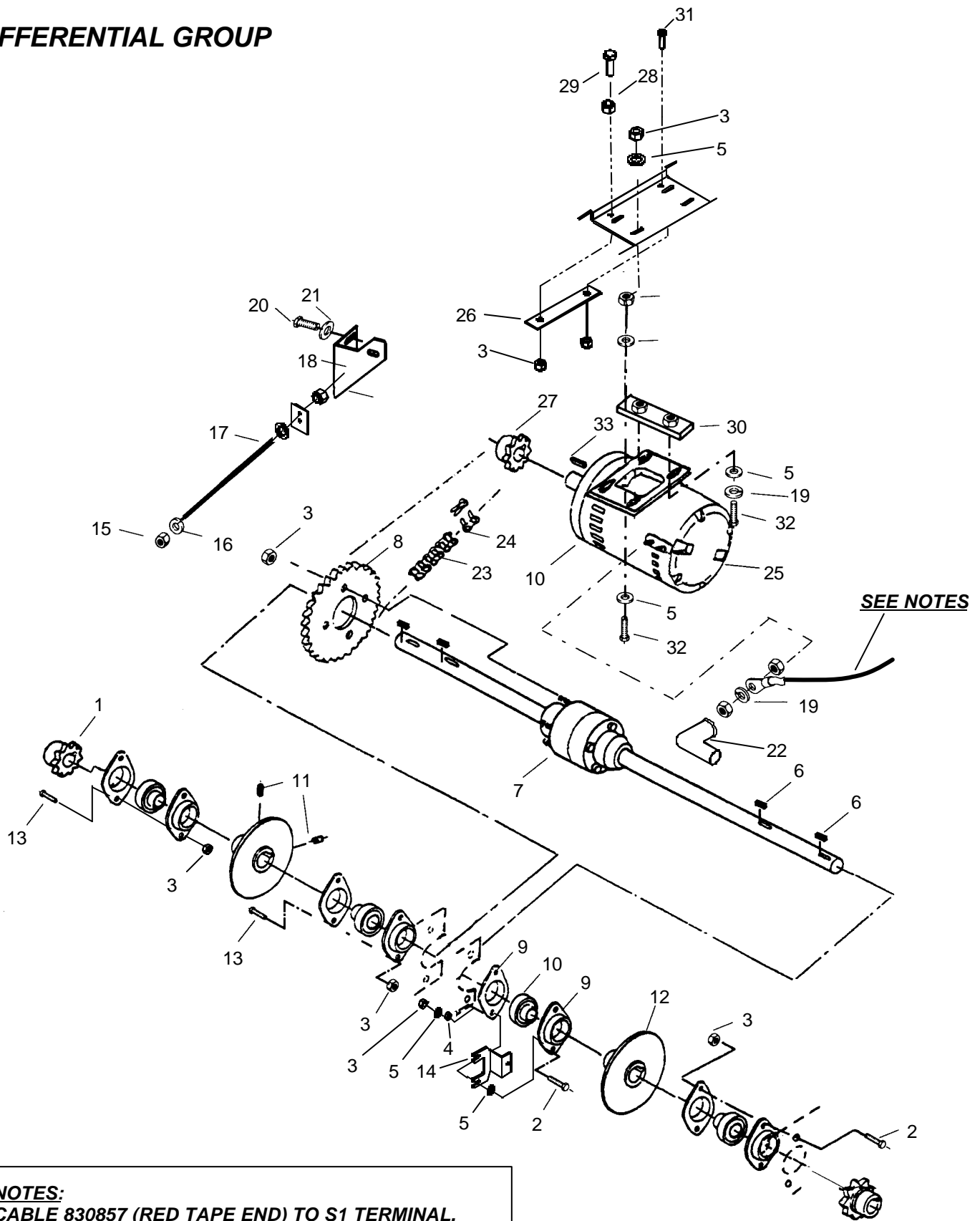


DECAL GROUP

REF	PART NO.	QTY	DESCRIPTION	SERIAL NO. FROM	NOTES:
1	500300	1	LABEL, SOLUTION CONTROL FLX2		
2	830875	1	LABEL, TOUCH PAD		
3	830888	1	LABEL, FLX 2 MAIN		
4	81991	1	DECAL, QUADRA LOGO 3.5 HIGH		
5	81349	1	OVERLAY, HORN		

NOTE: SEE "SAFETY LABEL LOCATION" PAGE FOR SAFETY LABEL INFORMATION.

DIFFERENTIAL GROUP

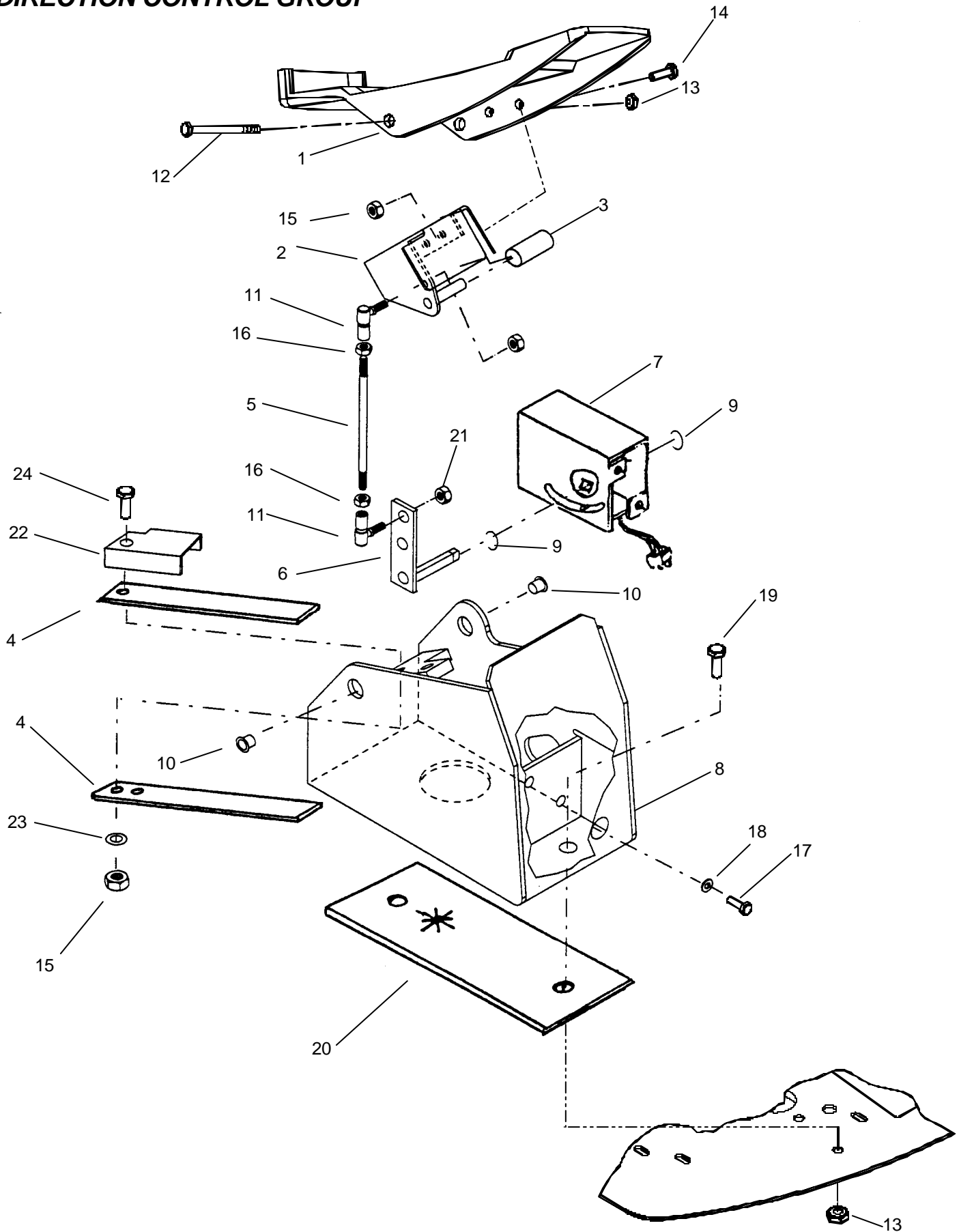


NOTES:
CABLE 830857 (RED TAPE END) TO S1 TERMINAL.
CABLE 830957 (GREEN TAPE END) TO S2 TERMINAL.
CABLE 830956 TO A1 TERMINAL.
CABLE 830952 TO A2 TERMINAL.

DIFFERENTIAL GROUP

REF	PART NO.	QTY	DESCRIPTION	SERIAL NO. FROM	NOTES:
1	80592	2	SPROCKET, #40 1/2"P 11T 3/4"B		
2	70325	6	SCR, 5/16-18 X 1.25 HHCS GR5PLT		
3	57113	16	NUT, 5/16-18 HEX NYLOCK		
4	57138	2	NUT, 5/16-18 JAM		
5	87142	10	WASHER, .344 X .69 X .066 FLAT PLT		
6	48041	4	KEY, 3/16 SQ. X 7/8 CRS		
7	81602	1	DIFFERENTIAL, FLEX		
8	80004	1	SPROCKET, #40 1/2"P 36T		
9	80595	8	FLANGE, BEARING PRESS STEEL		
10	09070	4	BEARING, .75 ID X 1.85" D		
11	70126	4	SET SCR, 1/4-28 X 1/4 KCP		
12	80602	2	DISC, BRAKE		
13	70305	2	SCR, 5/16-18 X 3/4 HHCSGR5PLTDL		
14	82026	1	PLATE, GUARD, HARNESS		
15	57161	4	NUT, 1/2-13 JAM		
16	87119	4	WASHER, .53 ID X 1.0 D X.060 PLTD		
17	81896	1	ROD, MOTOR ADJUST		
18	81893	1	ANGLE, MOTOR POSITION		
19	87083	2	WASHER, 5/16 SPLIT LOCK PLTD		
20	70507	2	SCR, 3/8-16 X 3/4 HHCS GR5 PLT		
21	87163	2	WASHER, 3/8 SPLIT LOCK		
22	80889	4	BOOT, RUBBER TERM ISOLATOR		
23	80587	1	CHAIN, #40 1/2" PTCH X 56 LAMBDA		
24	27743	1	CHAIN, #40 1/2" PTCH LAMBDA M. LINK		
25	53593	1	MOTOR, 36VDC 1HP 2500 RPM		
26	81889	1	BAR, MOTOR LOCATOR		
27	80585	1	SPROCKET, #40 1/2"P 11T 7/8"B		
28	57031	1	NUT, 5/16-18 HEX		
29	70320	1	SCR, 5/16-18 X 2"		
30	81894	1	BAR, MOTOR RETAINER		
31	70514	1	SCR, 5/16-18 X 1.00 STHMS		
32	70302	4	SCR, 5/16-18 X 1" HHCSGR5PLT NP		
33	48061	1	KEY, 3/16 X 3/16 X 1.25"L CRS		

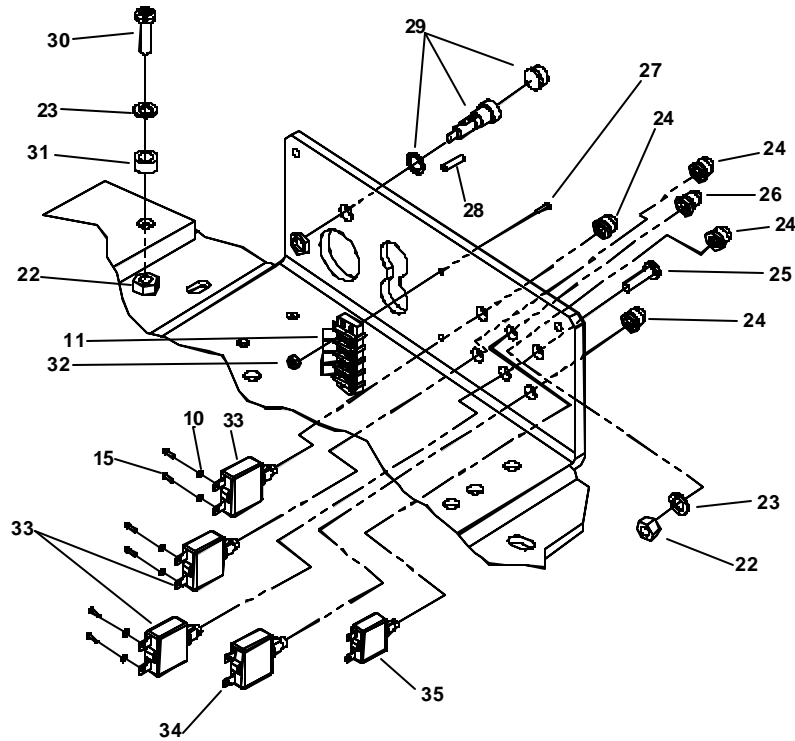
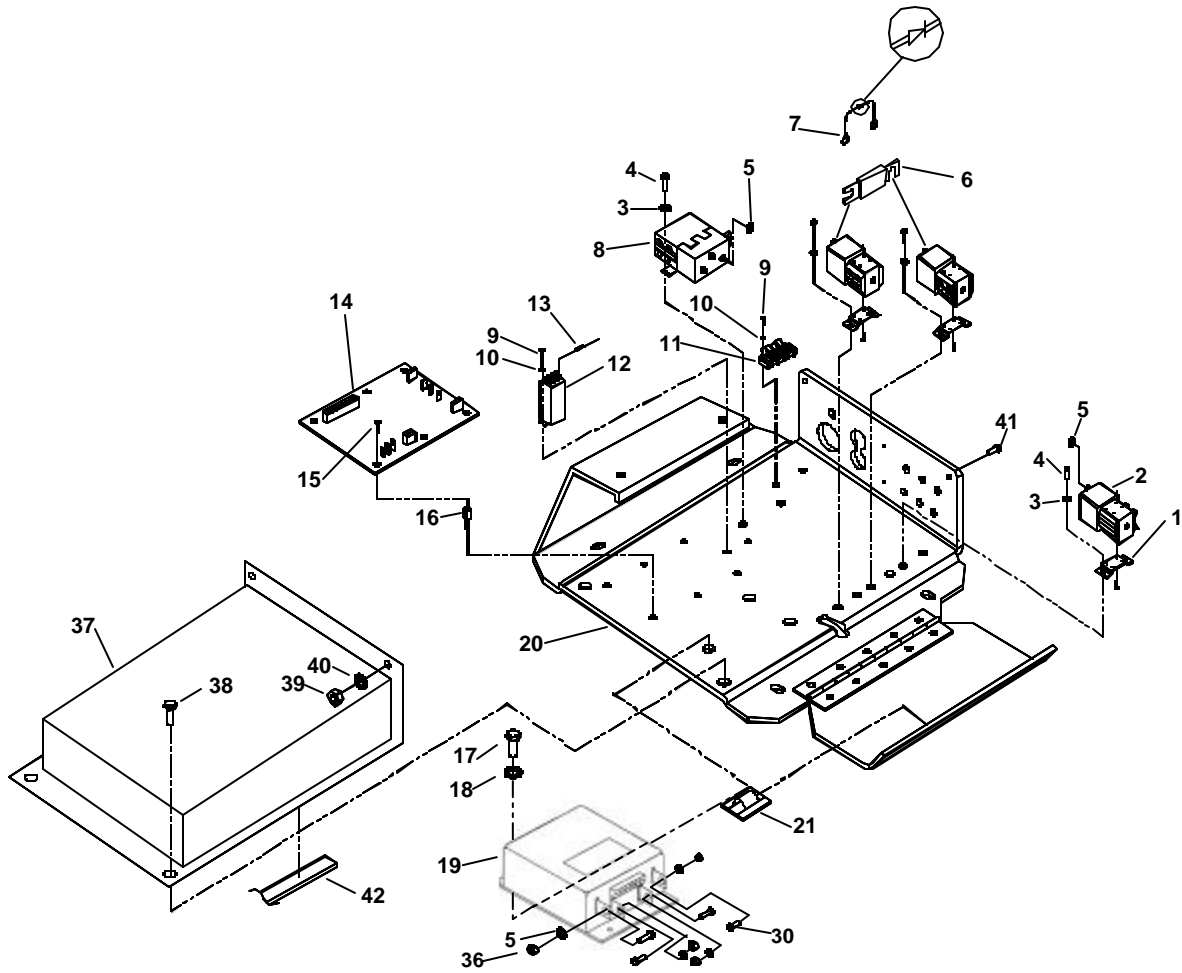
DIRECTION CONTROL GROUP



DIRECTION CONTROL GROUP

REF	PART NO.	QTY	DESCRIPTION	SERIAL NO. FROM	NOTES:
1	80259	1	PEDAL, FWD/REV		
2	82190	1	WELDMENT, PEDAL PLATE		
3	80775	1	TUBING, ISOLATOR 3/8 ID X 1.0 PVC		
4	830116	2	SPRING, FLAT		
5	81611	1	STUD, 1/4-38 X 1.63 SS		
6	81612	1	WELDMENT, THROTTLE ARM		
7	80695	2	THROTTLE, ELECTRONIC CONT.		
8	82189	1	WELDMENT, PEDAL MOUNT		
9	80826	2	RING RET., EXT. 7/32 E-RING		
10	09082	2	BEARING, 3/8 FLANGE		
11	80696	2	BALL JOINT ASM, 1/4"		
12	70494	1	SCR, 3/8-16 X 4 1/2 HHCS		
13	57119	3	NUT, 3/8-16 HEX NYLOCK		
14	70270	2	SCR, 1/4-20 X 3/4 HHCS PLTD		
15	57047	3	NUT, 1/4-20 HEX NYLOCK		
16	57225	2	NUT, 1/4-28 HEX		
17	70513	2	SCR, 5MM X .8 X 6MM HHCS 8.8 PLT		
18	87165	2	WASHER, #10 SPLIT LOCK		
19	70266	2	SCR, 3/8-16 X 1 HHCS GR PLTD		
20	81879	1	PAD, PEDAL MOUNT		
21	57215	2	NUT, 1/4-28 HEX NYLOCK		
22	830117	1	BRKT, SPRING ALIGNMENT		
23	87013	1	WASHER, 1/4 ID X 5/8 OD SS		
24	70505	1	SCR, 1/4-20 X 1 HHCS GR5 PLTD		
25	-	-	OPEN		

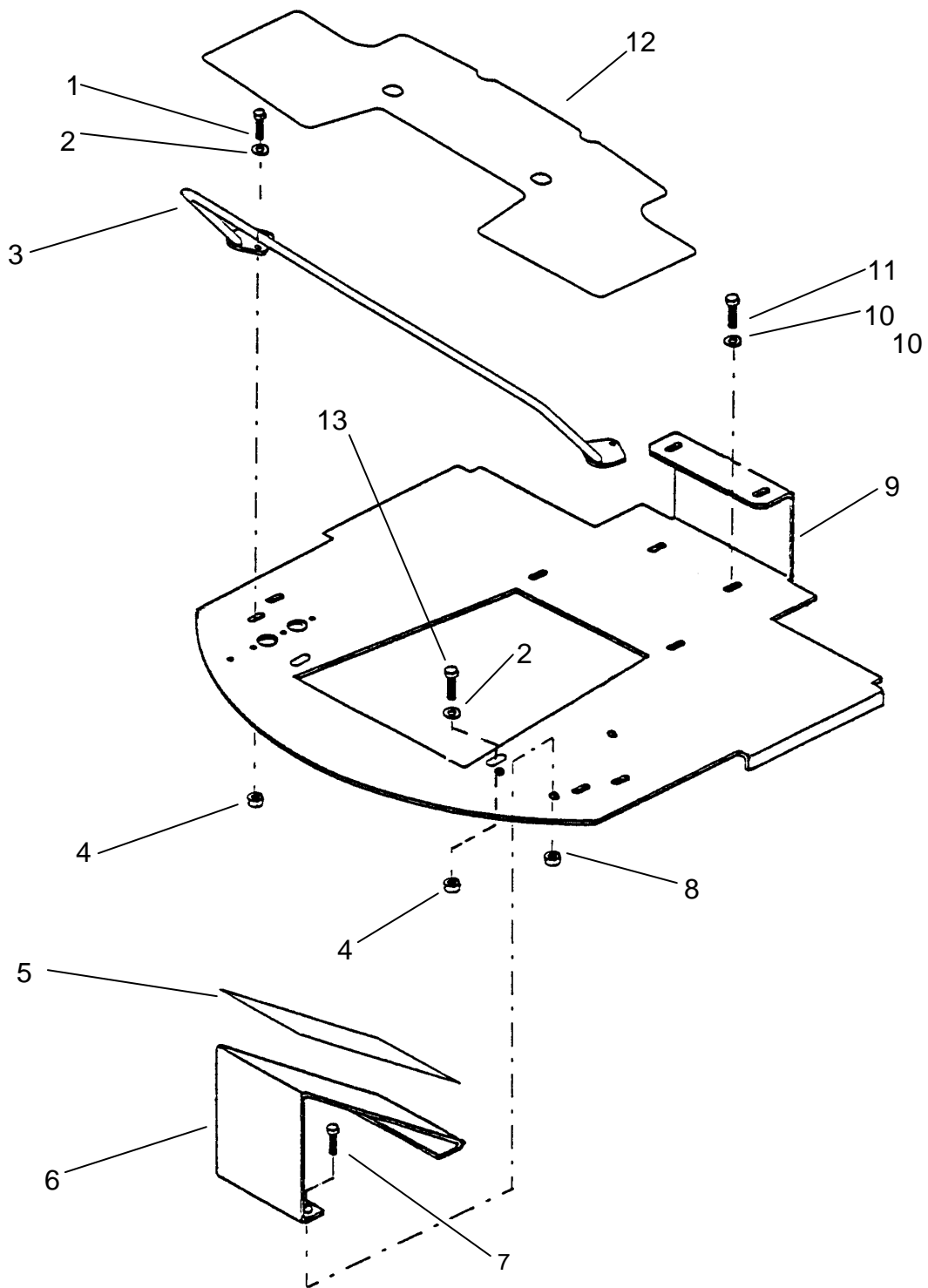
ELECTRICAL GROUP



ELECTRICAL GROUP

REF	PART NO.	QTY	DESCRIPTION	SERIAL NO. FROM	NOTES:
1	80692	3	MOUNT, CONTACTOR		
2	80686	3	RELAY, CONTACTOR		
3	87016	8	WASHER, #10 LOCK EXT STAR		
4	70162	8	SCR, 10-32 X 3/8 PPHMS SS		
5	87083	13	WASHER, 5/16 SPLIT LOCK P		
6	80687	1	FUSE, 125 AMP		
7	29215	1	DIODE ASM, 76075 X 76075		
8	80691	1	RELAY, CONTACTOR FWR/REV		
9	70056	4	SCR, 6-32 X 1/2 PPHMS		
10	87134	4	WASHER, #6 LOCK		
11	80834	2	TERM, STRIP 8-POSITION		
12	830962	1	RELAY, 15A 24V MINI		
13	67441	1	RESISTOR ASM, OPTION RELAY		
14	27867	1	CONTROL BOARD, SECONDARY		
15	70127	12	SCR, 6-32 X 1/4 PPHMS SS		
16	73812	6	STANDOFF, 6-32 X 3/8, HEX		
17	70271	3	SCR, 1/4-20 X 1/2 HHCS PL		
18	87162	3	WASHER, 1/4 SPLIT LOCK		
19	80685	1	CONTROLLER, MOTOR SPEED		
20	830838	1	SEAT MOUNT, FLX2		
21	80743	1	CLIP, CORD SELF-ADHESIVE		
22	57113	3	NUT, 5/16-18 HEX NYLOCK		
23	87142	3	WASHER, .344 X .69 X .066 FLAT		
24	80845	4	BOOT, SEAL-PUSH BUTTON		
25	70645	1	SCR, 5/16-18 X 1/2 PTHMS BL		
26	14942	1	BOOT, 3/8 CIRCUIT BREAKER		
27	70239	2	SCR, 6-32 X 3/4 PPHMS		
28	81404	1	FUSE, 8A		
29	34160	1	FUSEHOLDER, 15A, 250V		
30	70305	6	SCR, 5/16-18 X 3/4 HHCSGR5		
31	80809	2	BUMPER, RUBBER 5/16" ID X 1.50		
32	57049	2	NUT, 6-32 HEX NYLOCK SS		
33	14607	3	BREAKER, 25A 50VDC CIRCUIT		
34	80848	1	BREAKER, CIRCUIT 10 AMP		
35	14668	1	BREAKER, 8A CIRCUIT		
36	57031	4	NUT, 5/16-18 HEX		
37	830874	1	COVER, ELECTRONICS FLX2		
38	70384	2	SCR, 1/4-20 X 1/2 PHTR BL		
39	57047	2	NUT, 1/4-20 HEX NYLOCK		
40	87013	2	WASHER, 1/4 ID X 5/8 OD S		
41	70597	2	SCR, 1/4-20 X 3/4 PPHMS B		
42	35146	5.67'	GASKET, FOAM 1/8" X 3/8"		

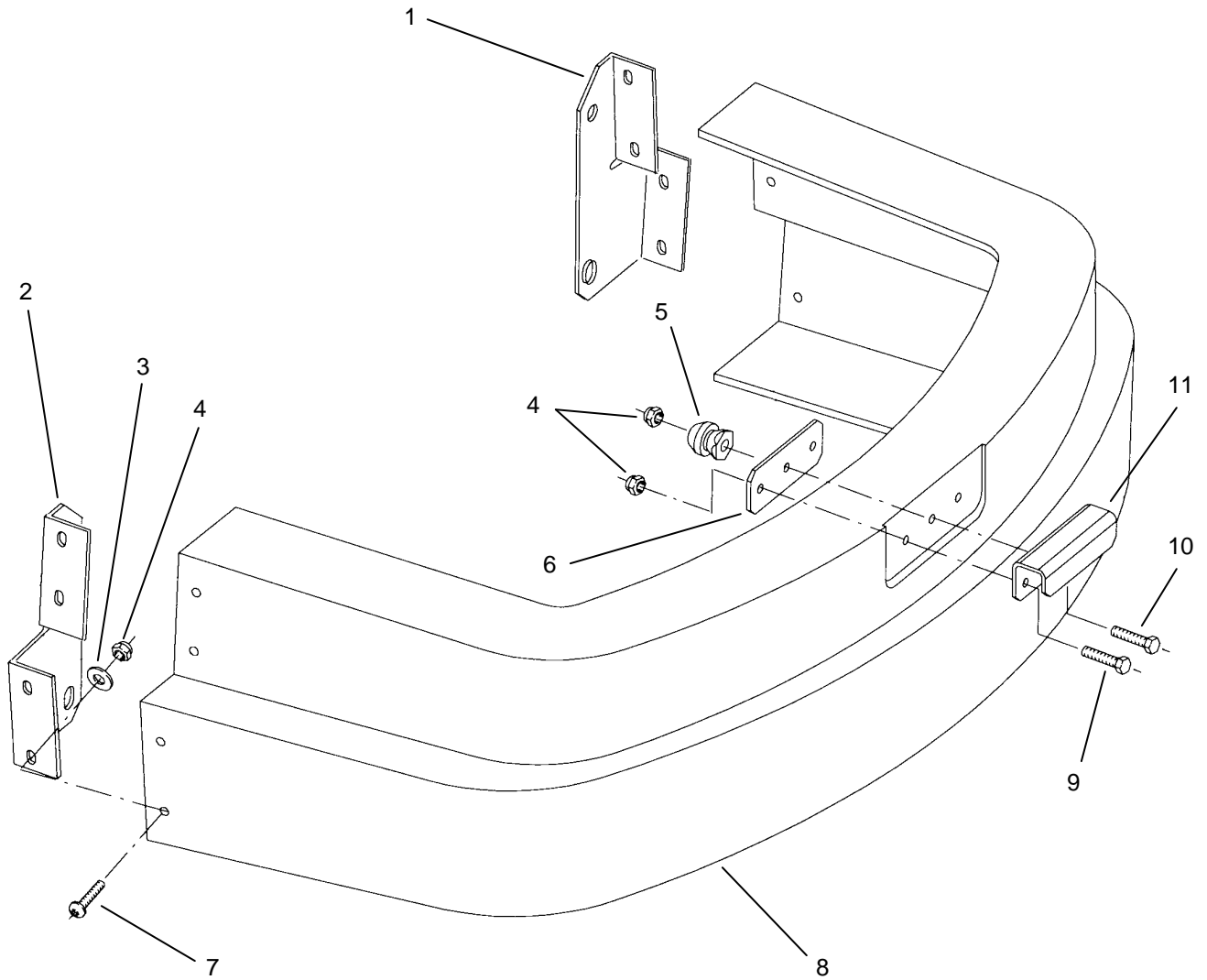
FLOOR GROUP



FLOOR GROUP

REF	PART NO.	QTY	DESCRIPTION	SERIAL NO. FROM	NOTES:
1	70377	4	SCR,3/8-16 X 1.25HHCS GR5 PLTD		
2	87143	6	WASHER, 7/16 ID X 1 OD X .08 FL		
3	81974	1	WELDMENT, GUARD		
4	57119	6	NUT, 3/8-16 HEX NYLOCK		
5	81870	1	PAD, FOOT REST		
6	81826	1	PLATE, FOOT		
7	70270	3	SCR, 1/4-20 X 3/4 HHCS PLTD		
8	57047	3	NUT, 1/4-20 HEX NYLOCK		
9	81780	1	PLATE, FLOOR		
10	87003	4	WASHER, 3/8 ID X 7/8 OD SS		
11	70550	4	SCR, 3/8-16 X 2.5 HHCS GR5 PLTD		
12	81827	1	PAD, FLOOR		
13	70266	2	SCR, 3/8-16 X 1 HHCS GR5 PLTD		

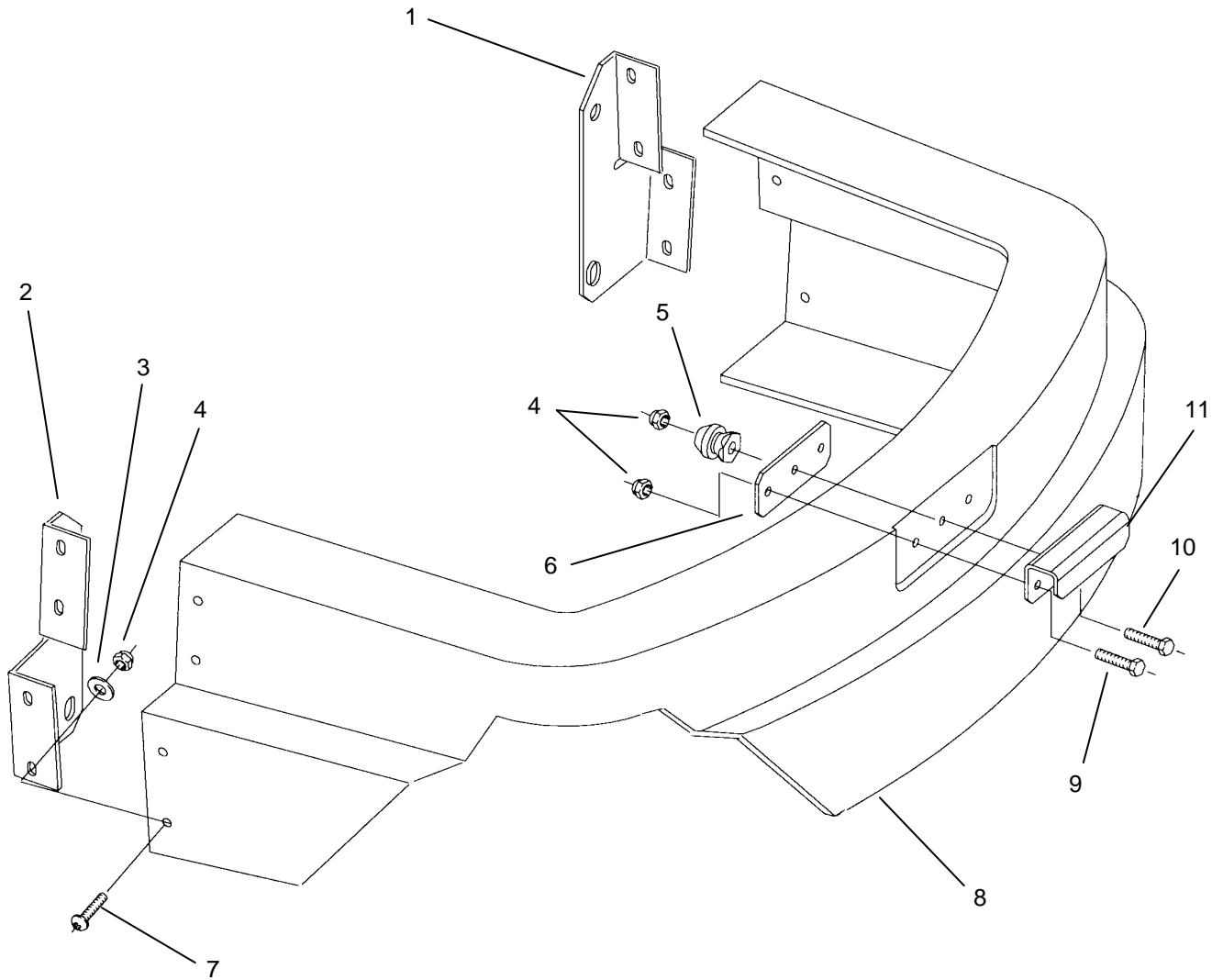
FRONT BUMPER GROUP



FRONT BUMPER GROUP

REF	PART NO.	QTY	DESCRIPTION	SERIAL NO. FROM	NOTES:
1	81640	1	MOUNT, BUMPER RIGHT		
2	81639	1	MOUNT, BUMPER LEFT		
3	87013	8	WASHER, 1/4 ID X 5/8 OD S		
4	57047	11	NUT, 1/4-20 HEX NYLOCK		
5	51215	1	LATCH, MALE BLK 1/4" HD		
6	81642	1	PLATE, HANDLE		
7	70597	8	SCR, 1/4-20 X 3/4 PPHMS B		
8	81638	1	BUMPER		
9	70270	2	SCR, 1/4-20 X 3/4 HHCS PL		
10	70249	1	SCR, 1/4-20 X 1.25 HHCS P		
11	81641	2	HANDLE, BUMPER		

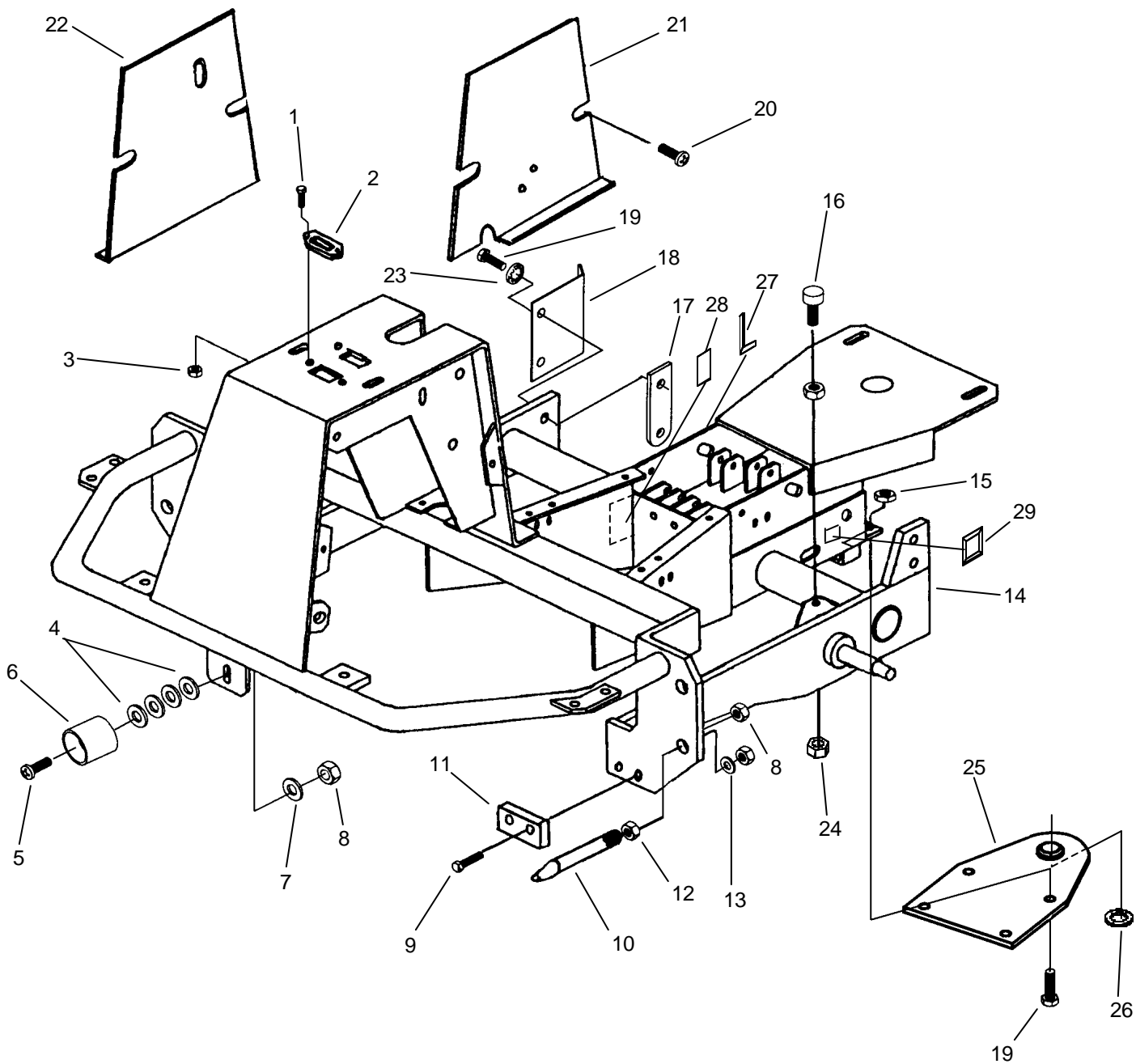
FRONT BUMPER GROUP (CYLINDRICAL)



FRONT BUMPER GROUP (CYLINDRICAL)

REF	PART NO.	QTY	DESCRIPTION	SERIAL NO. FROM	NOTES:
1	81639	1	MOUNT, BUMPER LEFT		
2	81640	1	MOUNT, BUMPER RIGHT		
3	87013	8	WASHER, 1/4 ID X 5/8 OD S		
4	57047	11	NUT, 1/4-20 HEX NYLOCK		
5	51215	1	LATCH, MALE BLK 1/4" HD		
6	81642	1	PLATE, HANDLE		
7	70597	8	SCR, 1/4-20 X 3/4 PPHMS B		
8	82326	1	BUMPER		
9	70270	2	SCR, 1/4-20 X 3/4 HHCS PL		
10	70249	1	SCR, 1/4-20 X 1.25 HHCS PL		
11	81641	1	HANDLE, BUMPER		

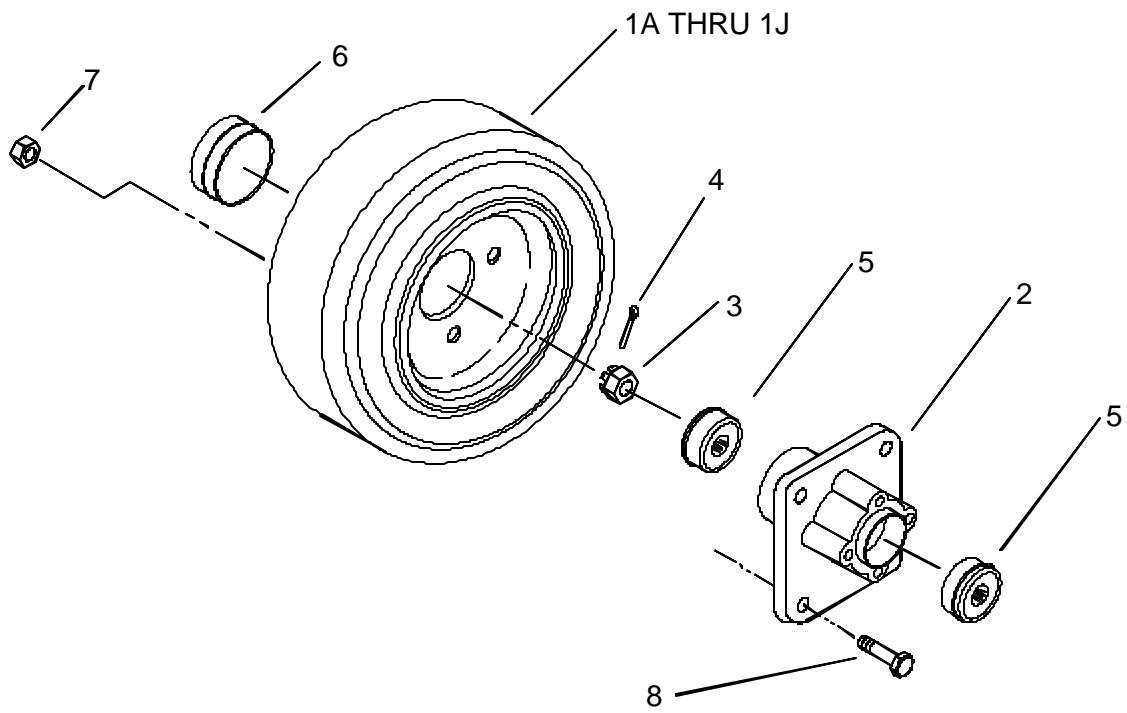
FRONT FRAME GROUP



FRONT FRAME GROUP

REF	PART NO.	QTY	DESCRIPTION	SERIAL NO. FROM	NOTES:
1	70599	2	SCR, 6-32 X 3/4 SHCS BLK ZNC		
2	54154	1	METER, 12-48 VDC LED HOUR		
3	57049	2	NUT, 6-32 HEX NYLOCK SS		
4	80819	4	WASHER, .31 ID X 1.175 D X 1/8 NYL		
5	70439	1	SCR, 1/4-20 X 1.5 SHCS PLTD		
6	51214	1	LATCH, FEMALE 6.5 LB PULL BLU		
7	87013	1	WASHER, 1/4 ID X 5/8 OD SS		
8	57047	5	NUT, 1/4-20 HEX NYLOCK		4 FOR DISK SCRUB ONLY
9	70249	4	SCR, 1/4-20 X 1.25 HHCS PLTD		DISK SCRUB HEAD ONLY
10	81663	4	PIN, BUMPER		
11	81028	2	BLOCK, SLIDE		DISK SCRUB HEAD ONLY
12	57161	8	NUT, 1/2-13 JAM		
13	87164	4	WASHER, 1/2 SPLIT LOCK PLTD		
14	830878	1	FRAME FRONT, FLX2		
15	57119	4	NUT, 3/8-16 HEX NYLOCK		
16	80654	4	BUMPER, ADJUSTMENT		
17	82330	1	BAR, TAPPED		
18	82263	1	PLATE, DRAIN HOSE GUARD		
19	70266	6	SCR, 3/8-16 X 1" HHCSGR5PLT DL		
20	70384	4	SCR, 1/4-20 X 1/2 PHTR BLK DL		
21	81788	1	PLATE, COVER LT		
22	81787	1	PLATE, COVER RT		
23	87075	2	WASHER, 3/8 ID INT. LOCK		
24	57031	8	NUT, 5/16-18 HEX		
25	81672	1	WELDMENT, PIVOT PLATE		
26	67270	1	RING, 1.0 EXT. SNAP HD		
27	81173	2	EDGING, 2.50" L		
28	81269	1	EDGING, 1.63" L		1000065039
29	35258	1	EDGING, 7.25" L		1000065039

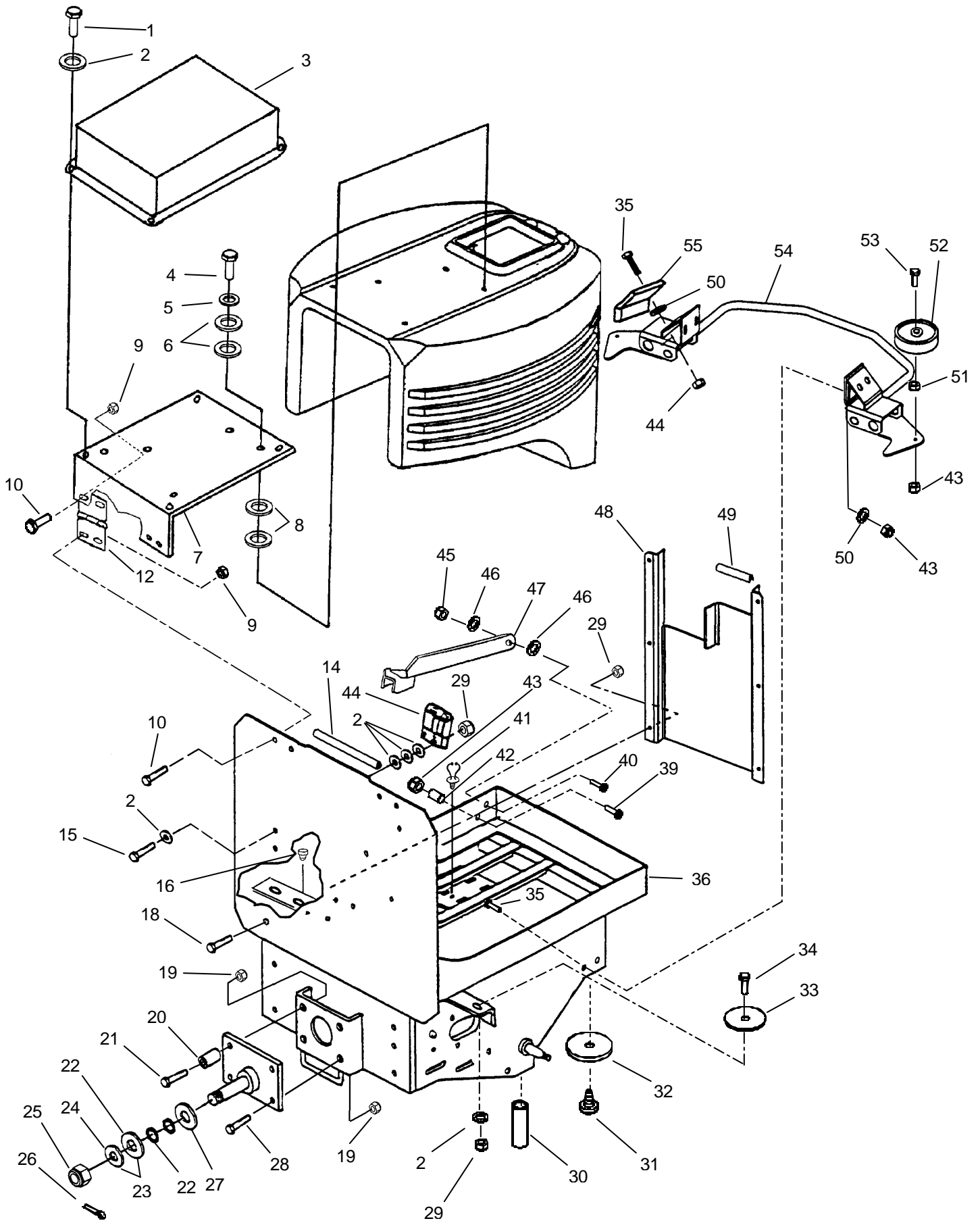
FRONT WHEEL GROUP



FRONT WHEEL GROUP

REF	PART NO.	QTY	DESCRIPTION	SERIAL NO. FROM	NOTES:
1A	830755	2	WHEEL ASM, FOAM FILLED BLK KNOBBY		
1B	80593	REF	TIRE/RIM ASM, PNEUMATIC		
1C	82413	REF	TIRE/RIM ASM, FOAMFIL NO-MARK		
1D	82706	REF	WHEEL ASM, PNEU. BLACK KNOBBY		
1E	82983	REF	WHEEL 16" GRY RMFL N-MARKING KNB		
1F	82707	REF	WHEEL ASM, PNEU. N-MARK K		
1G	81276	REF	WHEEL ASM., SOLID		
-	80276	REF	RIM, SOLID TIRE PAINTED		SERVICE PART FOR 81276
-	80914	REF	TIRE, SOLID PRESS-ON 16 X 3.5 X 121		SERVICE PART FOR 81276
1H	82100	REF	WHEEL ASM., SCRUBBER COMPOUND		
-	80276	-	RIM, SOLID TIRE PAINTED		SERVICE PART FOR 82100
-	82092	-	TIRE, SCRUBBER		SERVICE PART FOR 82100
1I	82101	REF	WHEEL ASM, NON-MARKING		
-	80276	-	RIM, SOLID TIRE PAINTED		SERVICE PART FOR 82101
-	82096	-	TIRE, NON-MARKING 16 X 3 X 12.12		SERVICE PART FOR 82101
1J	830560	REF	WHEEL ASM., SPECIAL SCRUBBER		
-	80276	-	RIM, SOLID TIRE PAINTED		SERVICE PART FOR 82101
-	830559	-	TIRE, SPCL SCRUBBER PRESS-ON		SERVICE PART FOR 830560
2	80002	2	HUB, DRIVE WHEEL		
3	80598	2	NUT, 3/4-16 SLOTTED GR 2		
4	66243	2	PIN, COTTER 1/8 ID X 1.5 L		
5	09071	4	BEARING, .9843 ID X 2.0472 OD		
6	80596	2	HUB CAP, GREASE CAP ZINC PL		
7	80597	8	NUT, LUG WHEEL 12MM-1.25		
8	80599	8	STUD, WHEEL		

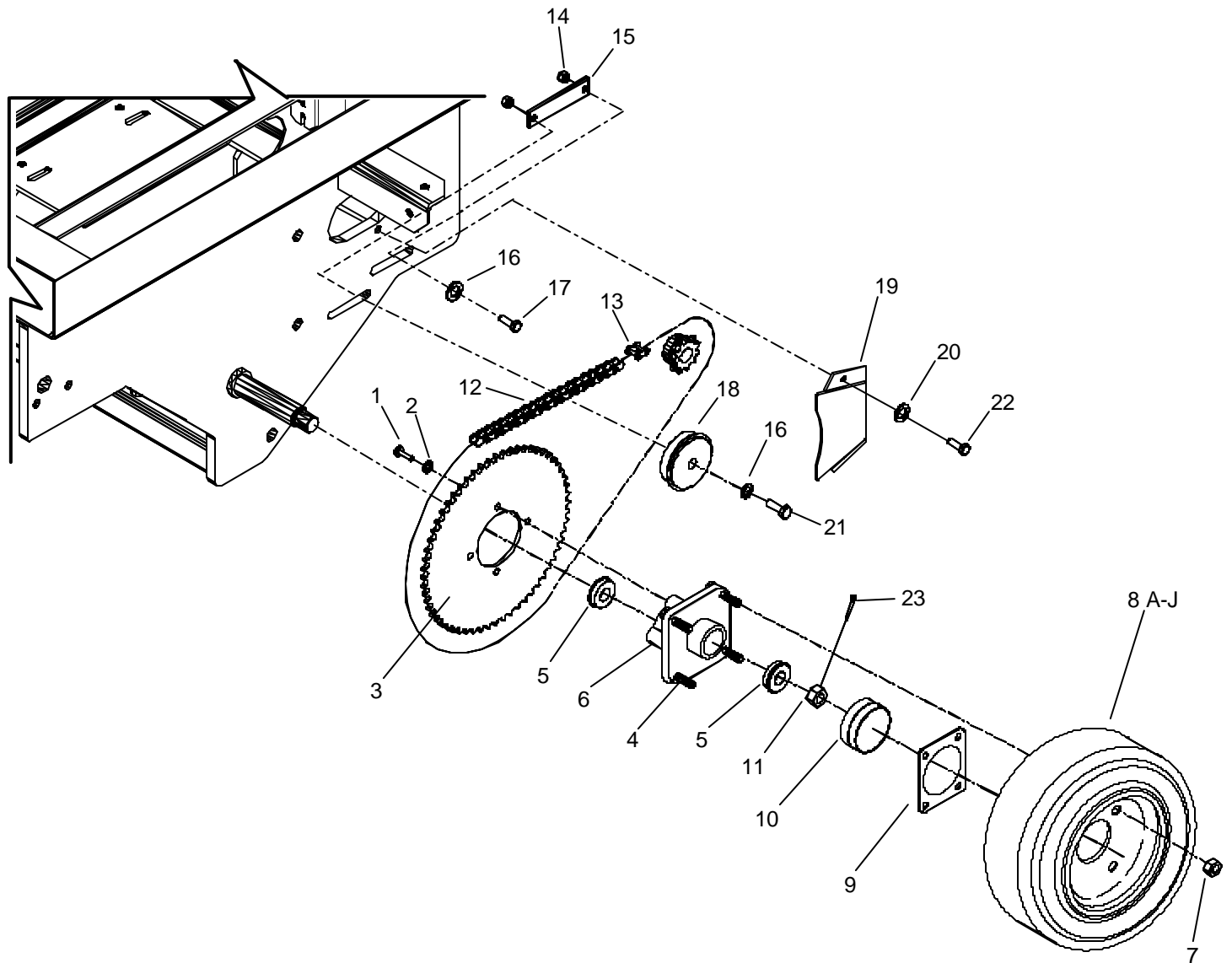
REAR FRAME GROUP



REAR FRAME GROUP

REF	PART NO.	QTY	DESCRIPTION	SERIAL NO. FROM	NOTES:
1	70271	4	SCR, 1/4-20 X 1/2 HHCS PL		
2	87013	14	WASHER, 1/4 ID X 5/8 OD SS		
3	81577	1	COVER, ELECTRONICS		
4	70325	5	SCR, 5/16-18 X 1.25 HHCS GR5		
5	87083	5	WASHER, 5/16 SPLIT LOCK PLTD		
6	87102	10	WASHER, 5/16 ID X 1-1/4 OD		
7	81645	1	PLATE, ELECTRONICS		
8	80408	10	SPACER, 1.5 OD X .406 ID X .18T		
9	57189	8	NUT, 1/4-20 FLANGE LOCK		
10	70011	8	SCR, 1/4-20 X 5/8 HHCS SS		
11	-	-	OPEN		
12	41259	2	HINGE, REAR CLIP		
13	-	-	OPEN		
14	81934	1	EDGING, 1/8" X 6.12" LONG		
15	70297	2	SCR, 1/4-20 X 1.5 HHMS		
16	82062	1	BUMPER, RUBBER		
17	-	-	OPEN		
18	70270	6	SCR, 1/4-20 X 3/4 HHCS PLTD		
19	57118	4	NUT, 1/2-13 HEX NYLOCK		
20	81854	2	TUBE, STOP		
21	70347	2	SCR, 1/2-13 X 3 HHCS GR5		
22	81926	2	WASHER, FIBER 1.156 X 2.1		
23	81928	2	O-RING, 1.125 X 1.375 X .125		
24	81635	1	WASHER, 1.156 X 2.00 X .18		
25	81927	1	NUT, SLOTTED 7/8-14 UNF PLTD		
26	66243	1	PIN, COTTER 1/8"D X 1.5"L		
27	70511	2	SCR, 1/2-13 X 1.5 HHCS GR5		
28	81685	1	WELDMENT, PIVOT PLATE		
29	57047	10	NUT, 1/4-20 HEX NYLOCK		
30	830155	2	HOSE, 3/4" VINYL X 2.75"		
31	80805	1	CLIP, TREE .19 HOLE FLAT		
32	81473	1	VALVE, DISK DRAIN		
33	87182	4	WASHER, 2.5OD X .125 HDPE		
34	70585	2	SCR, 1/4-20 X 1.00 FHSCS		
35	70377	8	SCR, 3/8-16 X 1.25 HHCS GR5		
36	81802	1	WELDMENT, REAR FRAME		
37	-	-	OPEN		
38	-	-	OPEN		
39	70602	1	SCR, 3/8-16 X 1 BHMS PLTD		
40	70603	1	SCR, 1/2-13 X 1 BHMS PLTD		
41	80802	1	RETAINER, WIRE TWIST TREE		
42	80102	1	SPACER, .500 OD X .391 ID X .400		
43	57119	11	NUT, 3/8-16 HEX NYLOCK		
44	80682	1	CONNECTOR, BATTERY GRY, 175		
45	57153	1	NUT, 1/2-13 HEX NYLOCK THIN		
46	87119	2	WASHER, .53 ID X 1.0 OD X .060		
47	82038	1	WELDMENT, TANK SUPPORT		
48	81714	1	CHANNEL, CABLE COVER		
49	81933	1	EDGING, 1/8" X 4.5" LONG		
50	87143	8	WASHER, 7/16 ID X 1 ID X .08 FLANGE		
51	57111	2	NUT, 3/8-16 HEX		
52	89059	2	WHEEL, BUMPER		
53	70385	2	SCR, 3/8-16 X 2.0 HHCS GR5		
54	81724	1	WELDMENT, REAR GUARD		
55	82036	2	PLATE, SHIM		
56	-	-	OPEN		

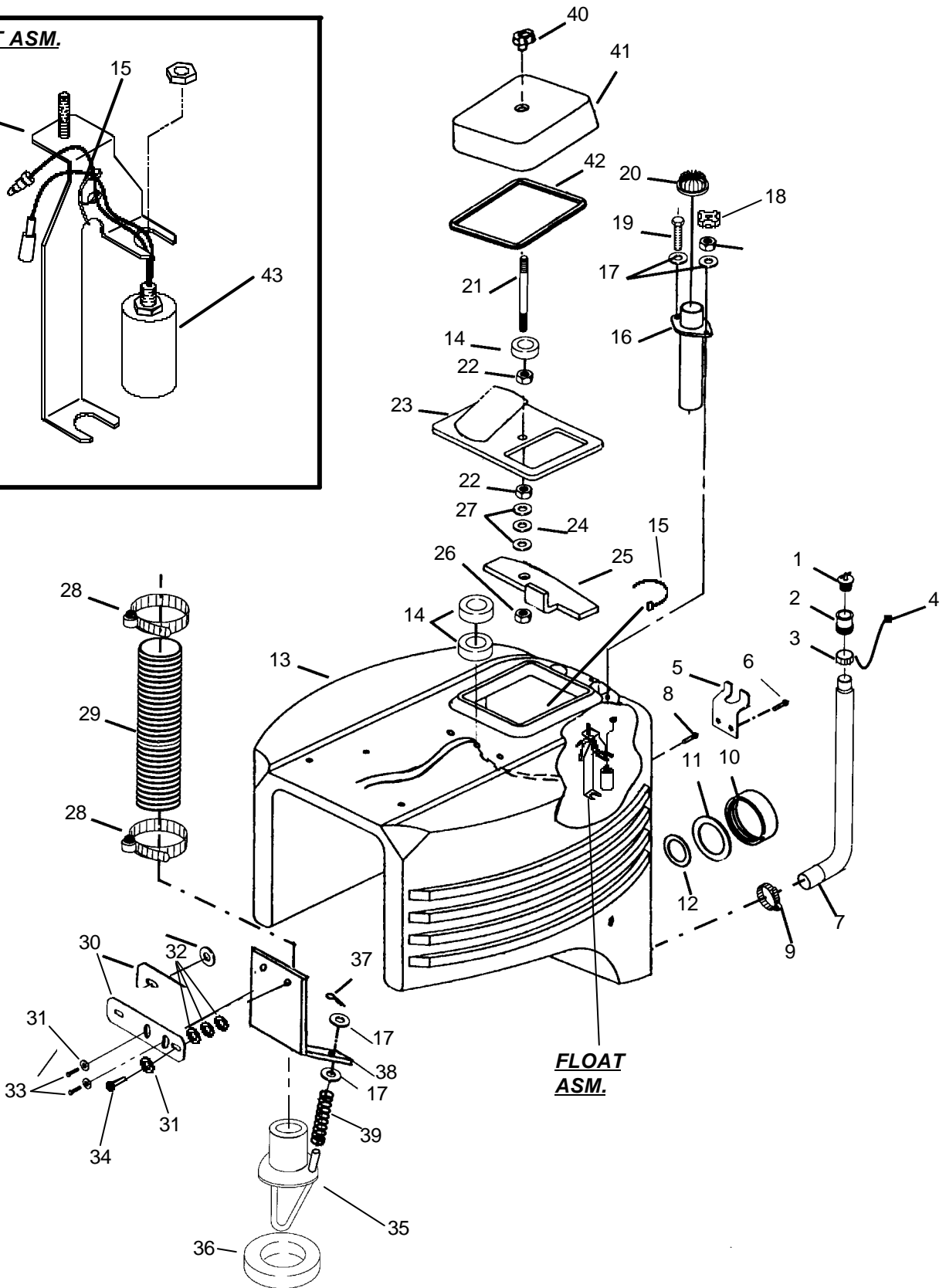
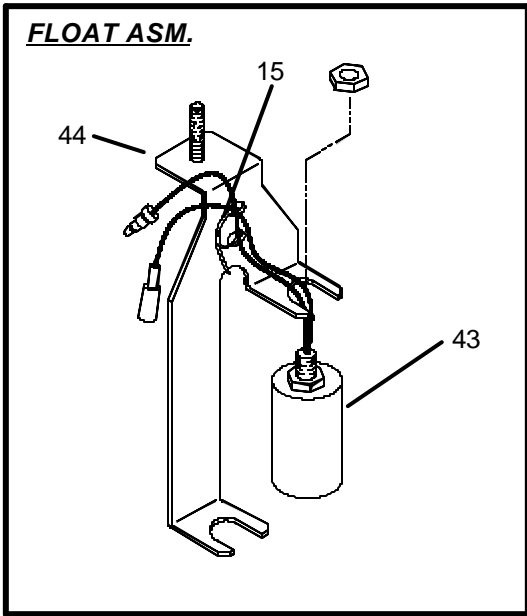
REAR WHEEL GROUP



REAR WHEEL GROUP

REF	PART NO.	QTY	DESCRIPTION	SERIAL NO. FROM	NOTES:
1	70302	8	SCR, 5/16-18 X 1" HHCSGR5 PLT NP		
2	87083	8	WASHER, 5/16 SPLIT LOCK PLTD		
3	82386	2	SPROCKET, #40 1/2"P 44T		
4	80599	8	STUD, WHEEL		
5	09071	4	BEARING, .9843" ID X 2.0472" OD		
6	82385	2	HUB, DRIVE WHEEL		
7	80597	8	NUT, LUG WHEEL 12MM-1.25 PITCH		
8A	830755	2	WHEEL ASM, FOAM FL BLK KNOBBY		
8B	82707	REF	WHEEL ASM, PNEU N-MARK		
8C	80593	REF	TIRE/RIM ASM, PNEUMATIC		
8D	82413	REF	TIRE/RIM ASM, FOAM-FIL N-MARK		
8E	82706	REF	WHEEL ASM, PNEU BLK KNOBBY		
8F	82983	REF	WHEEL ASM, GRY FM FL N-MARK KNOBBY		
8G	81276	REF	WHEEL ASM, SOLID		
-	80276	REF	RIM, SOLID TIRE PAINTED		SERVICE PART FOR 81276
-	80914	REF	TIRE, SOLID PRESS-ON 16 X 3.5 X 121		SERVICE PART FOR 81276
8H	82100	REF	WHEEL ASM, SCRUBBER COMPOUND		
-	80276	REF	RIM, SOLID TIRE PAINTED		SERVICE PART FOR 82100
-	82092	REF	TIRE, SCRUBBER CONPOUND		SERVICE PART FOR 82100
8I	82101	REF	WHEEL ASM, N-MARK		
-	80276	REF	RIM, SOLID TIRE PAINTED		SERVICE PART FOR 82101
-	82096	REF	TIRE, N-MARK		SERVICE PART FOR 82101
8J	830560	REF	WHEEL ASM, SPECIAL SCRUBBER		
-	80276	REF	RIM, SOLID TIRE PAINTED		SERVICE PART FOR 830560
-	830559	REF	TIRE, SPCL SCRUBBER PRESS-ON		SERVICE PART FOR 830560
9	62566	2	PLATE, WHEEL HUB SHIM		
10	80596	2	HUBCAP, GREASE CAP ZINC PLATED		
11	80598	2	NUT, 3/4-16 SLOTTED GR2 PLTD		
12	82073	2	CHAIN, #40 1/2" PTCH X 68 LAMBDA		
13	27743	2	CHAIN, #40 1/2" P LAMBDA M. LINK		
14	57119	4	NUT, 3/8-16 HEX NYLOCK		
15	81897	2	BAR, TENSIONER		
16	87143	4	WASHER, 7/16 ID X 1 D X .08 FLT SS		
17	70377	2	SCR, 3/8-16 X 1.25 HHCS GR5PLT		
18	80194	2	TENSIONER, DRIVE CHAIN		
19	80923	2	GUARD, CHAIN SCRUBBER		
20	87013	4	WASHER, 1/4 ID X 5/8 OD SS		
21	70385	2	SCR, 3/8-16 X 2.0 HHCS GR5 PLT		
22	70534	4	SCR, 1/4-14 X 3/4 TEKS/ 3 HWHS PLT		
23	66243	2	PIN, COTTER 1/8" D X 1.5" L PLTD		

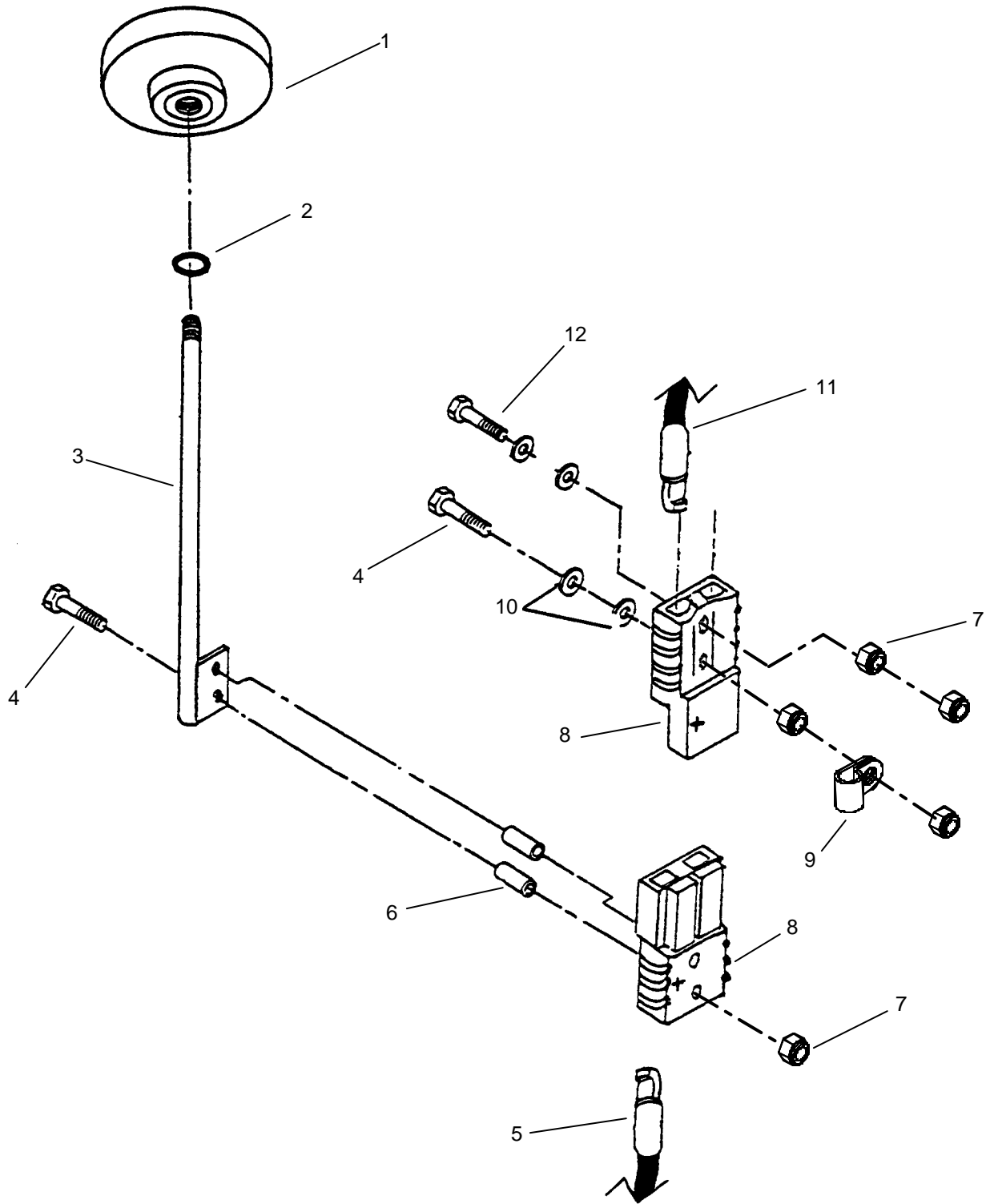
RECOVERY TANK GROUP



RECOVERY TANK GROUP

REF	PART NO.	QTY	DESCRIPTION	SERIAL NO. FROM	NOTES:
1	66227	1	PLUG, DRAIN HOSE		
2	40019	1	HOSEBARB, 1.5 DOUBLE MCHD		
3	20064	1	CLAMP, 2.0" WORM GEAR X .312W		
4	27670	1	CORD, DRAIN PLUG		
5	81885	1	MOUNT, RETAINER DRAIN HOSE		
6	70019	2	SCR, 1/4-20 X 1.25 HHCS		
7	39472	1	HOSE, 1.5 X 24.0 DRAIN		
8	57021	2	NUT, 1/4-20 X .962 WELL		
9	20046	1	CLAMP, 2.25" WORM GEAR		
10	27595	1	CAP, TANK CLEANOUT		
11	34242	1	FILLER PLATE, CLEANOUT CA		
12	35194	1	GASKET, TANK SCREW CAP, N		
13	81545	1	TANK, RECOVERY		
14	81794	3	GASKET, RECOVERY TANK RING		
15	27049	2	CABLE TIE, 7" UL/CSA		
16	81795	1	WELDMENT, VAC TUBE		
17	87013	6	WASHER, 1/4 ID X 5/8 OD S		
18	82811	1	KNOB, 1/4-20 4 PRONG		
19	70011	1	SCR, 1/4-20 X 5/8 HHCS S		
20	34140	1	FILTER, VAC INTAKE 10 MES		
21	81990	1	ROD, COVER RETAINER		
22	57249	2	NUT, 1/2-13 JAM		
23	81798	1	SEPARATOR		
24	87140	1	WASHER, WAVE 1/2 ID X 3/4 D		
25	81801	1	BAR, SEPERATOR RETAINER		
26	57250	1	NUT, 1/2-13 NYLOCK THIN SS		
27	87015	2	WASHER, 9/16 ID X 1.06 OD		
28	81431	2	CLAMP, 2.50 WORM GEAR		
29	81865	1	HOSE, 2" VAC X 16"		
30	81785	1	BAR, VAC SEAL MOUNT		
31	87142	4	WASHER, .344 X .69 X .066 FLA		
32	80408	6	SPACER, 1.50 D X .4061 D X		
33	70305	2	SCR, 5/16-18 X 3/4 HHCSGR5		
34	70325	2	SCR, 5/16-18 X 1.25 HHCS G		
35	81782	1	WELDMENT, VAC SEAL MOUNT		
36	81786	1	GASKET, VAC TUBE		
37	66073	2	PIN, COTTER 1/16" X 3/4" L		
38	81985	1	ANGLE, SEAL MOUNT		
39	82054	2	SPRING, COMP. 48 D X 1.25 L		
40	80674	1	KNOB, ADJUSTING WITH 1/2-13		
41	81546	1	COVER, REC TANK QFATB		
42	81793	1	GASKET, RECOVERY TANK COV		
43	82520	1	FLOAT ASM, RECYCLING		
44	830887	1	PLATE, FLOAT SWITCH MOUNT		

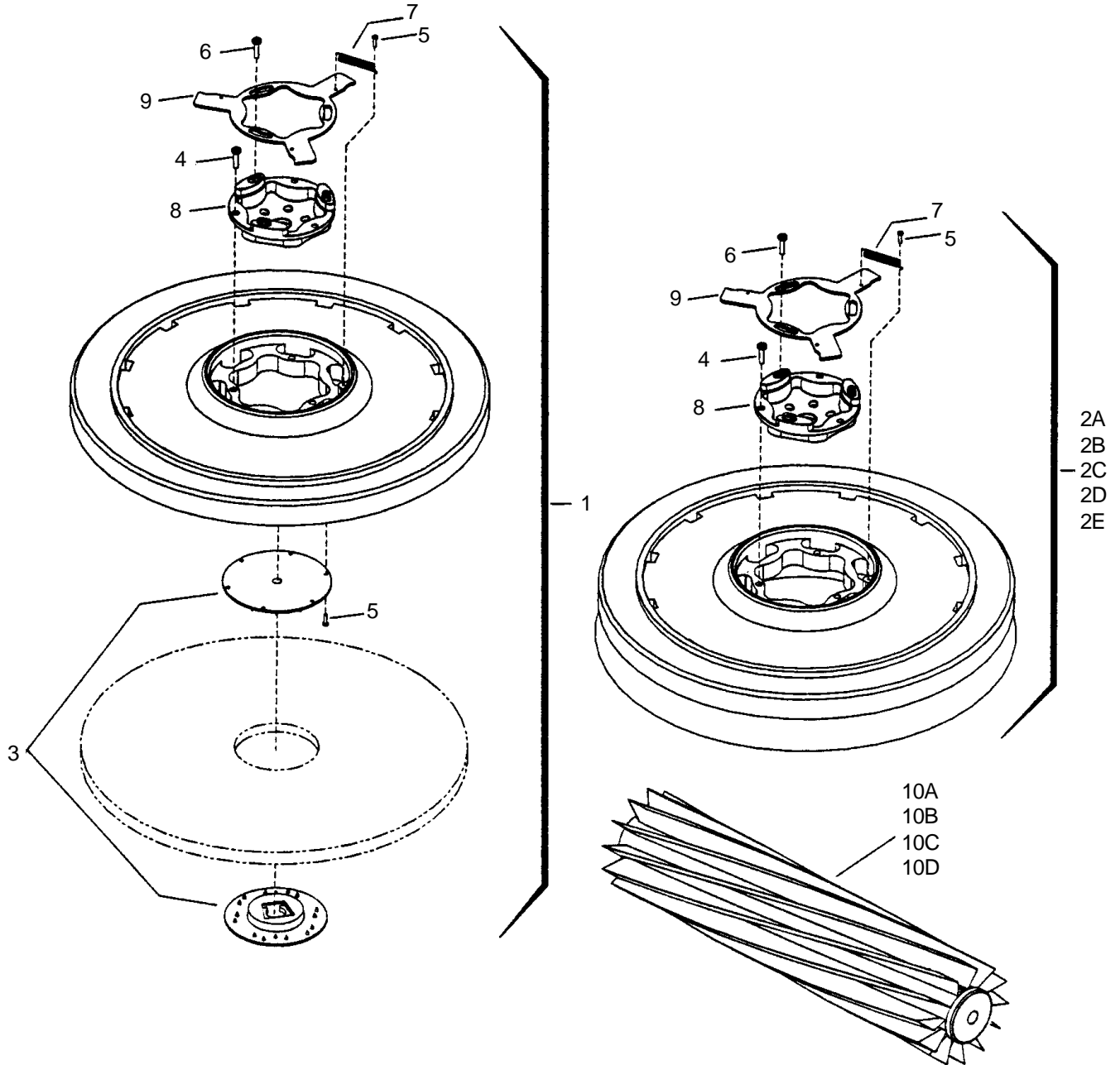
SAFETY SWITCH GROUP



SAFETY SWITCH GROUP

REF	PART NO.	QTY	DESCRIPTION	SERIAL NO. FROM	NOTES:
1	80684	1	KNOB, STOP RED 3/8-16 F-1		
2	80683	1	WASHER, NEOPRENE 3/8" ID X 1.0 OD		
3	81643	1	WELDMENT, SAFETY SWITCH		
4	70105	3	SCR, 1/4-20 X 1.75 HHCS		
5	830953	REF	WIRE,4 X 84.0 BK C. TERM X 5/16 RING		
6	80360	2	TUBE, SAFETY SWITCH SPACER		
7	57047	6	NUT, 1/4-20 HEX NYLOCK		
8	80682	2	CONNECTOR, BATTERY GRY 175AMP		
9	80886	1	CLAMP, 3/8 DIA "P" CUSHIONED		
10	87013	4	WASHER, 1/4 ID X 5/8 OD SS		
11	81367	REF	WIRE 4 X 90 C. TERM X C. TERM		
12	70506	1	SCR, 1/4-20 X 2 HHCS GR5 PLTD		

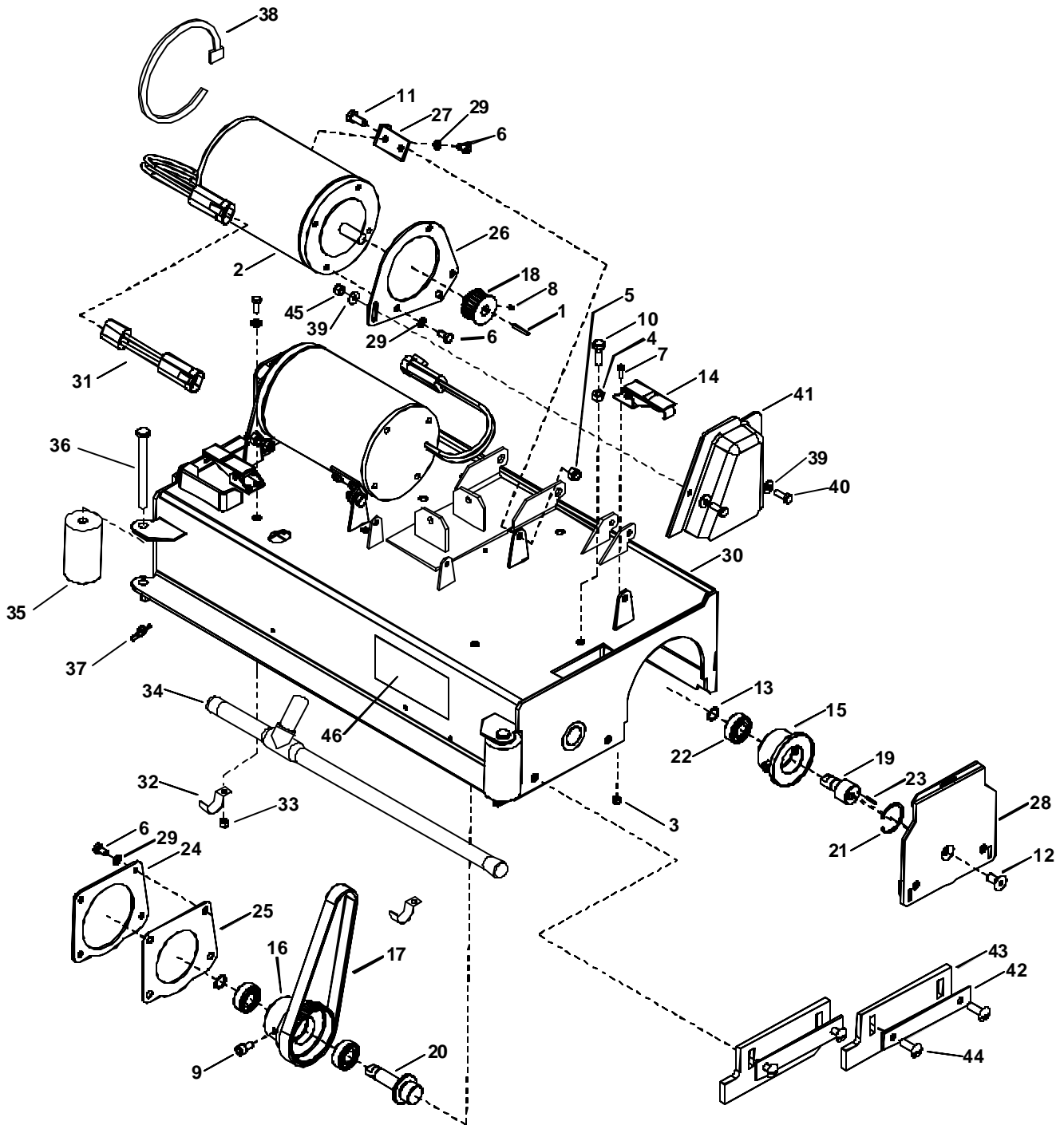
SCRUB BRUSH/PAD DRIVER GROUP (STAR DRIVE) 34 IN



SCRUB BRUSH/PAD DRIVER GROUP (STAR DRIVE) 34 IN

REF	PART NO.	QTY	DESCRIPTION	SERIAL NO. FROM	NOTES:
1	02424	2	PAD DRIVER 17"		
2A	02425	2	BRUSH, 17" POLYPROPYLENE SD		
2B	02426	2	BRUSH, 17" NYLON SD		
2C	02427	2	BRUSH, 17" NYLON POLISH SD		
2D	02428	2	BRUSH, 17" MILD GRIT SD		
2E	02429	2	BRUSH, 17" SUPER AGG SD		
3	51284	1	LOCK, PAD CENTER SNAP, TWO STEP		
4	70695	3	SCR, 12-24 X 1.0 PPHMS SS		
5	70694	4	SCR, 8-32 X 3/4 PTHMS		
6	70696	3	SCR, 10-32 X 3/4 PTHMS		
7	73817	1	SPRING, EXT .31 D X 2.0 L X .03 W SS		
8	730011	1	SOCKET, DRIVE BRUSH		
9	62852	1	PLATE, BRUSH RELEASE		
10A	82193	2	BRUSH, 32" CYL. POLY		
10B	82194	2	BRUSH, 32" CYL. NYLON		
10C	82196	2	BRUSH, 32" CYL. STANDARD GRIT		
10D	82197	2	BRUSH, 32" CYL. SUPER AGG GRIT		

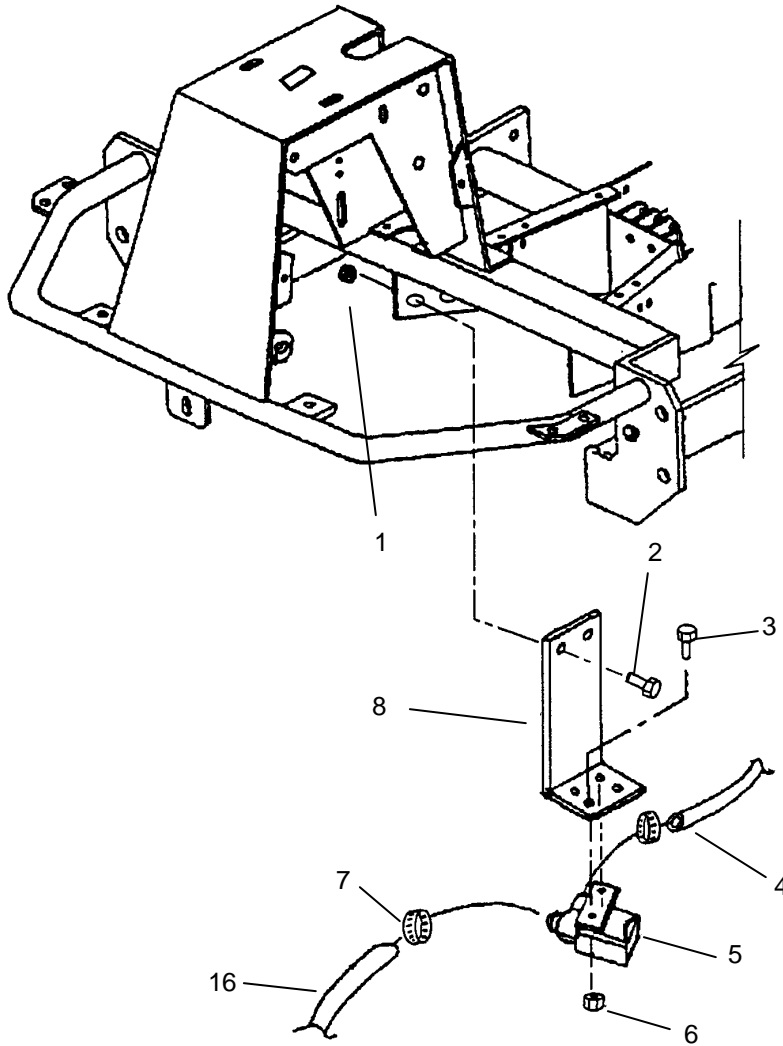
SCRUB HEAD GROUP - CYLINDRICAL



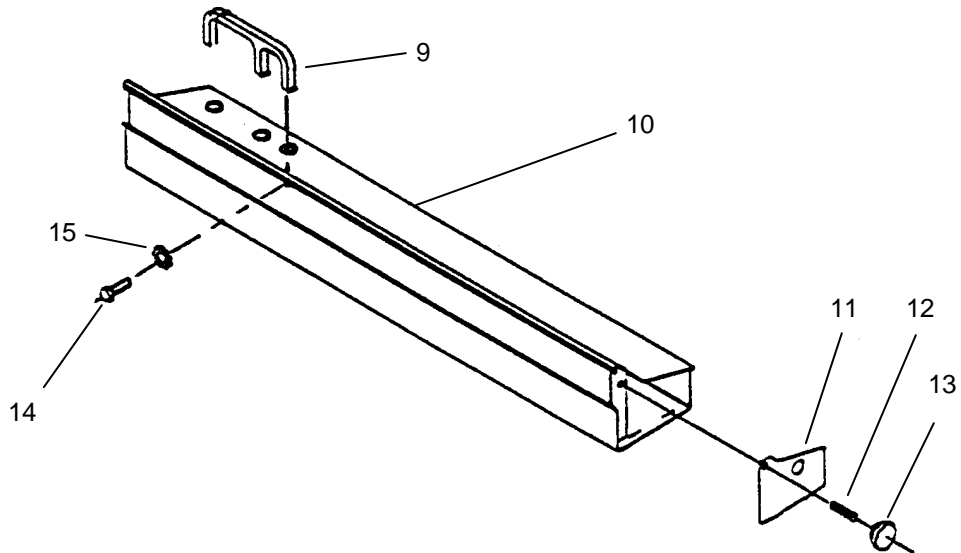
SCRUB HEAD GROUP - CYLINDRICAL

REF	PART NO.	QTY	DESCRIPTION	SERIAL NO. FROM	NOTES:
1	48050	2	KEY, 1/8 X 1/8 X 3/4		
2	53638	2	MOTOR, 36V 3/4HP 1725RPM		
3	57026	4	NUT, 8-32 HEX NYLOCK		
4	57031	2	NUT, 5/16-18 HEX		
5	57113	4	NUT, 5/16-18 HEX NYLOCK		
6	70020	16	SCR, 1/4-20 X 1/2 HHCS SS DL		
7	70051	4	SCR, 8-32 X 1/2 PPHMS NP		
8	70074	4	SET SCR, 10-32 X 1/4 KCP DL		
9	70176	8	SCR, 5/16-18 X 1/2 SHCS DL		
10	70302	2	SCR, 5/16-18 X 1"HHCSGR5PLT DL		
11	70305	4	SCR, 5/16-18 X 3/4HHCSGR5PLTDL		
12	70572	2	SCR, 3/8-16 X 3/4 FHSCS		
13	73166	4	SNAP RING, EXTERNAL		
14	81488	2	LATCH, SQUEEGEE STRAP		
15	81547	2	HUB, IDLER CYL. SCRUB		
16	81548	2	HUB, DRIVE CYL. SCRUB		
17	830670	2	BELT, CYL. BRUSH DRIVE		
18	830669	2	PULLEY, MOTOR DRIVE CYL. BRUSH		
19	82034	2	SHAFT, IDLER CYL. SCRUB		
20	82035	2	SHAFT, DRIVER CYL. SCRUB		
21	82043	2	RING, 1-3/8 INT. SNAP		
22	82045	6	BEARING, 1.38 X .59 X .43L		
23	82070	2	PIN, ROLL 3/32 X 3/8 SS		
24	82225	2	PLATE, SEAL RETAINER		
25	82226	2	SEAL, DRIVER CYL. SCRUB		
26	82227	2	PLATE, MOTOR MOUNT		
27	82228	2	ANGLE, MOTOR MOUNT		
28	82229	2	WELDMENT, DOOR CYL SCRUB		
29	87025	16	WASHER, 1/4 LOCK EXT STAR SS		
30	82211	1	WELDMENT, CYL SCRUBHEAD 34		
31	880212	1	WIRE ASM, REV POLARITY JUMPER		
32	20003	2	CLAMP, 1/2 DIA THIN WALL CONDUIT		
33	57245	2	NUT, 1/4-20 HEX NYLOCK SS		
34	82446	2	TUBE ASM, SOL. DELIVERY		
35	82242	2	ROLLER, SIDE CYL. SCRUB		
36	80818	2	PIN, CLEVIS, 1/2 DIA X 3.75 L PLTD		
37	80607	2	COTTER, 1/2" RING		
38	27196	2	CABLE TIE		
39	87013	8	WASHER, 1/4 ID X 5/8 OD SS		
40	70015	4	SCR, 1/4-20 X 3/4 HHCS SS		
41	82254	2	GUARD, BELT CYL. SCRUB		
42	82234	4	BAR, RETAINER		
43	81555	4	SQUEEGEE, SIDE CYL. SCRUB		
44	70514	8	SCR, 5/16-18 X 1.00 STHMS		
45	57245	4	NUT, 1/4-20 HEX NYLOCK SS		
46	82552	1	DECAL, SCRUB PLUS		

SCRUB HEAD GROUP - CYLINDRICAL VALVE & HOPPER GROUP



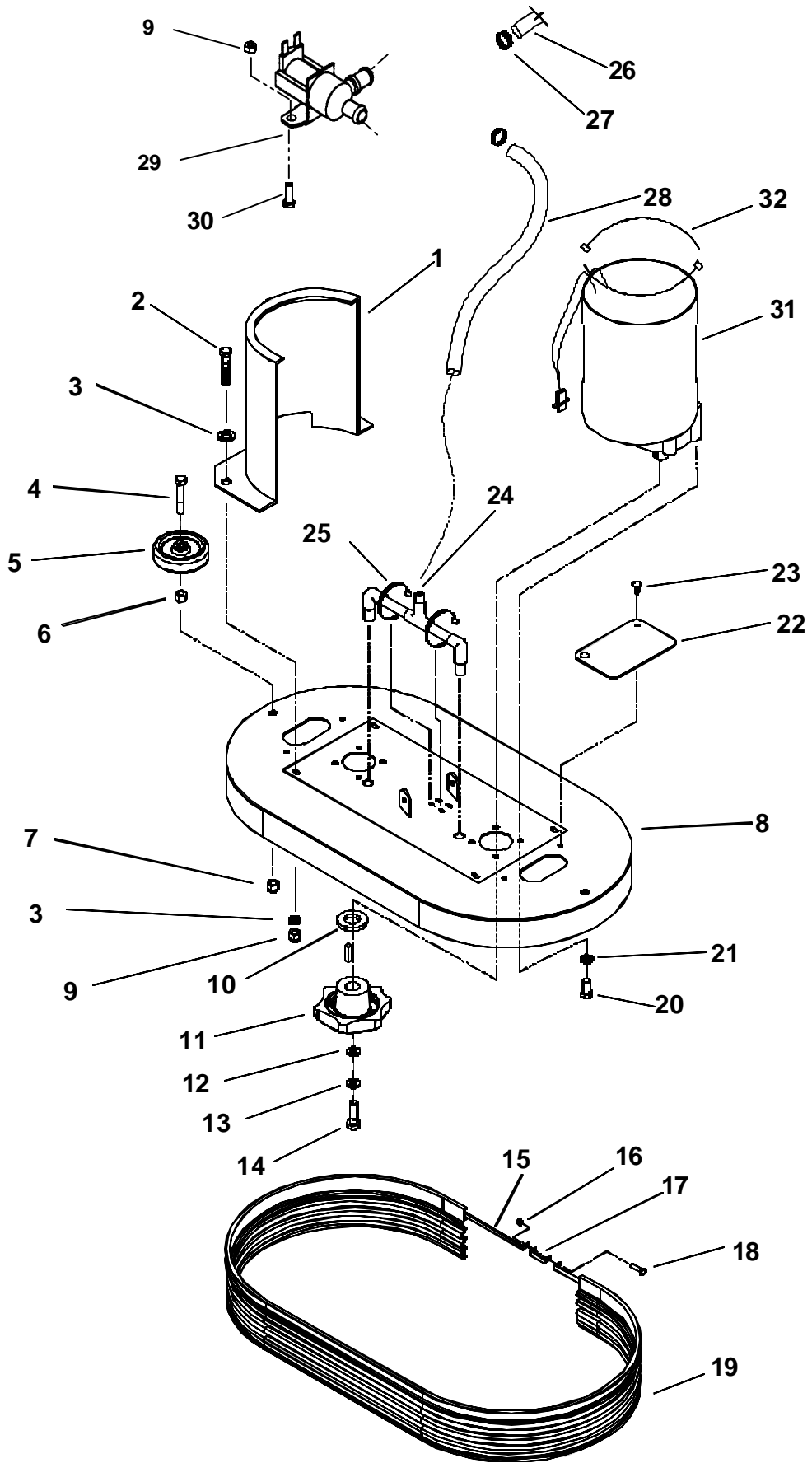
CYLINDRICAL SCRUB HEAD HOPPER ASSEMBLY



**SCRUB HEAD GROUP - CYLINDRICAL
VALVE & HOPPER GROUP**

REF	PART NO.	QTY	DESCRIPTION	SERIAL NO. FROM	NOTES:
1	57113	2	NUT, 5/16-18 HEX NYLOCK		
2	70305	2	SCR, 5/16-18 X 3/4 HHCS GR 5 PLTD		
3	70270	2	SCR, 1/4-20 X 3/4 HHCS PLTD		
4	39555	1	HOSE, 5/8" VINYL X 18.5"		
5	82312	1	VALVE, 36VDC SOL. 1/2" HOSEBARB		
6	57047	2	NUT, 1/4-20 HEX NYLOCK		
7	20042	2	CLAMP, 3/8 HOSE (D-SLOT)		
8	82255	2	ANGLE, VALVE MOUNT		
9	82530	1	HANDLE, CYL. SCRUB HOPPER		
10	82248	1	WELDMENT, FLEX CAP. SCRUB TRAY		
11	82253	1	PLATE, COVER TRAY CYL. SCRUB		
12	81491	1	SET SCR, 5/16-8 X 1.5 CP SS		
13	48012	1	KNOB, 5/16-18 4 PRONG		
14	70612	2	SCR, 8-32 X 3/8" HHCS SS		
15	87007	3	WASHER, #8 LOCK EXT. STAR PLTD		
16	82311	1	HOSE, 5/8" VINYL X 19.5"		

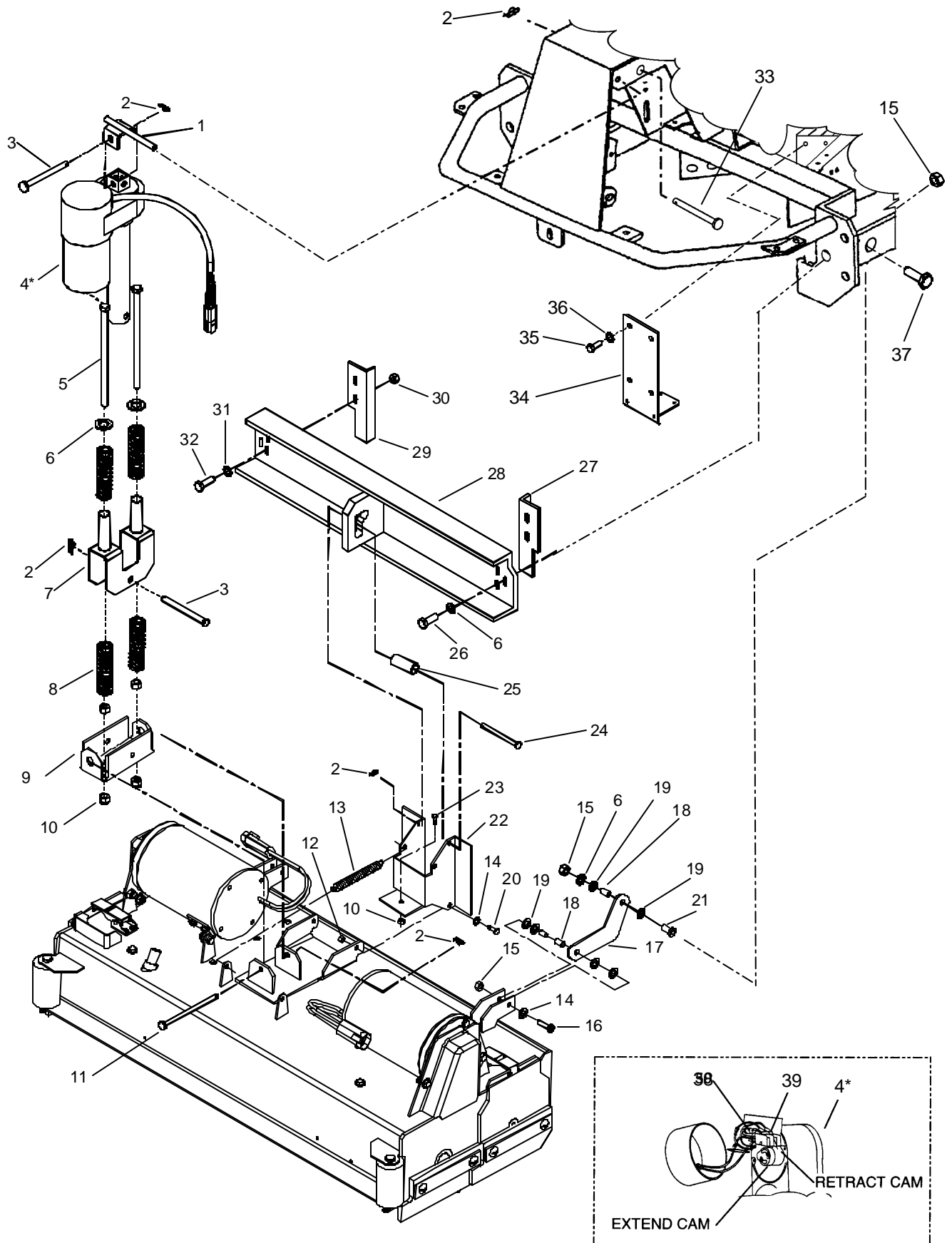
SCRUB HEAD GROUP- DISK



SCRUB HEAD GROUP - DISK

REF	PART NO.	QTY	DESCRIPTION	SERIAL NO. FROM	NOTES:
1	81899	2	COVER, MOTOR		
2	70270	4	SCR, 1/4-20 X 3/4 HHCS PLTD		
3	87013	8	THRUST WASHER		
4	70385	1	SCR, 3/8-16 X 2.0 HHCS GR5 PLTD		
5	89059	1	WHEEL, BUMPER		
6	57111	1	NUT, 3/8-16 HEX		
7	57119	1	NUT, 3/8-16 HEX NYLOCK		
8	81806	1	WELDMENT, SCRUB HEAD		
9	57047	6	NUT, 1/4-20 HEX NYLOCK		
10	87213	2	WASHER, .78 ID X 1.63 OD X .25 T PLTD		
11	29220	2	DRIVER BRUSH SD		
12	87212	2	WASHER, .344 X 1.13 OD X .09 T PLTD		
13	87083	2	WASHER, 5/16 SPLIT LOCK PLTD		
14	70673	2	SCR, 5/16-18 X 1.25 HHCS SS		
15	81302	1	SKIRT RETAINER		
16	57252	1	NUT, 10-24 HEX NYLOCK SS		
17	82042	1	CHANNEL, STRAP SUPPORT		
18	70600	1	SCR, 10-24 X 2 HHMS SS		
19	730138	1	SKIRT, 3.5 X 80" EXT	*	
20	70507	8	SCR, 3/8-16 X 3/4 HHCS GR5 PLTD		
21	87163	8	WASHER, 3/8 SPLIT LOCK		
22	81898	2	COVER, BRUSH RELEASE		
23	80805	4	CLIP TREE .19 HOLE FLAT HEAD		
24	81905	1	MANIFOLD, SOLUTION DELIVERY		
25	27049	2	CABLE TIE, 7" UL/CSA		
26	39555	1	HOSE, 5/8" VINYL X 18.5"		
27	20042	2	CLAMP, 3/8 HOSE (D-SLOT)		
28	81397	1	HOSE, 5/8" VINYL X 14"		
29	82312	1	VALVE, 36VDC SOL., 1/2" HOSEBARB		
30	70506	2	SCR, 1/4-20 X 2 HHCS GR5 PLTD		
31	53632	2	MOTOR, 36VDC 200 RPM 3/4 HP GEAR		
	14418	1	BRUSH SET, 53632 ASI		(NOT SHOWN)
32	27196	2	CABLE TIE		

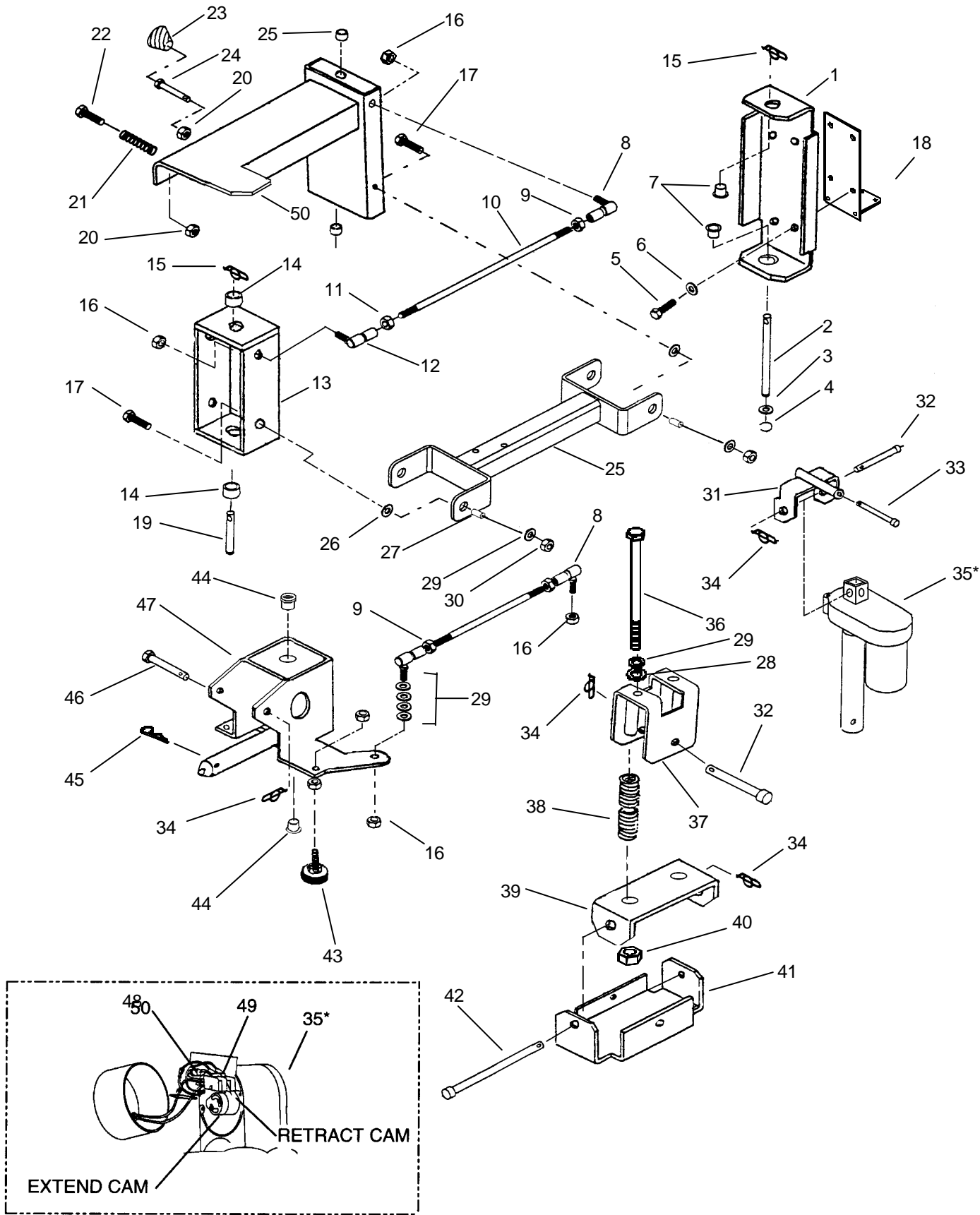
SCRUB HEAD LIFT GROUP- CYLINDRICAL



SCRUB HEAD LIFT GROUP- CYLINDRICAL

REF	PART NO.	QTY	DESCRIPTION	SERIAL NO. FROM	NOTES:
1	81765	1	WELDMENT, ACTUATOR PIVOT		
2	80606	7	COTTER, 3/8" RING		
3	81406	2	PIN, CLEVIS 3/8 X 2		
4	830036	1	ACTUATOR, 36V 4" STROKE		
5	70650	2	SCR, 3/8-16 X 6.0 HHCS GR5 PLTD		
6	87143	2	WASHER, 7/16 ID X 1 D X .08 FLAT		
7	67453	1	RETAINER, SPRING		
8	730025	4	SPRING, COMP .97 D X 3.5 L X .12 W		
9	81763	1	CHANNEL PIVOT		
10	57111	2	NUT, 3/8-16 HEX		
11	82060	1	PIN, CLEVIS 3/8 X 5.52 PLTD		
12	57118	2	NUT, 1/2-13 HEX NYLOCK		
13	82350	2	SPRING, EXT/ 1.0 D X 7.25 L X .125 W		
14	87119	2	WASHER, .53 ID X 1.0 D X .060 FLAT		
15	57119	4	NUT, 3/8-6 HEX NYLOCK		
16	70368	2	SCR, 3/8-16 X 1 3/4 HHCS PLTD		
17	82241	2	ARM, LIFT CYL. SCRUB		
18	81377	4	BEARING, FIBER 1/2 ID X 3/8 L		
19	81396	4	WASHER, FIBERGLIDE 1/2" X 1.0 OD		
20	70340	2	SCR, 1/2-13 X 1.25 HHCS GR5 PLTD		
21	82240	2	PIVOT, REAR CYL. SCRUB		
22	82235	1	CHANNEL, PITCH ADJ. CYL. SCRUB		
23	70570	1	SCR, 3/8-16 X 2.00 BHCS		
24	82322	1	PIN, CLEVIS 1/2 X 4.8" PLTD		
25	82243	1	ROLLER, TOP CYL. SCRUB		
26	70377	2	SCR, 3/8-16 X 1.25 HHCS GR5 PLTD		
27	82294	1	ANGLE, LT SIDE CYL. SCRUB		
28	82237	1	WELDMENT, UPPER SLIDE CYL.		
29	82293	1	ANGLE, RT. STOP CYL. SCRUB		
30	57113	4	NUT, 5/16-18 HEX NYLOCK		
31	87142	4	WASHER, .344 X .69 X .06 FLAT		
32	70302	4	SCR, 5/16-18 X 1 HHCS GR5 PLTD		
33	82061	1	PIN, CLEVIS 3/8 X 4.63		
34	81751	1	ANGLE VALVE MOUNT		
35	70266	4	SCR, 3/8-16 X 1.0 HHCS GR5 PLTD		
36	87163	4	WASHER, 3/8 SPLIT LOCK		
37	70305	2	SCR, 5/16-18 X 3/4 HHCS GR5 PLTD		
38	29176	1	DIODE ASSEMBLY, FASCO ACTUATOR		AVAILABLE IN KIT #47174
39	72122	1	SWITCH, TRAVEL LIMIT		AVAILABLE IN KIT #47174

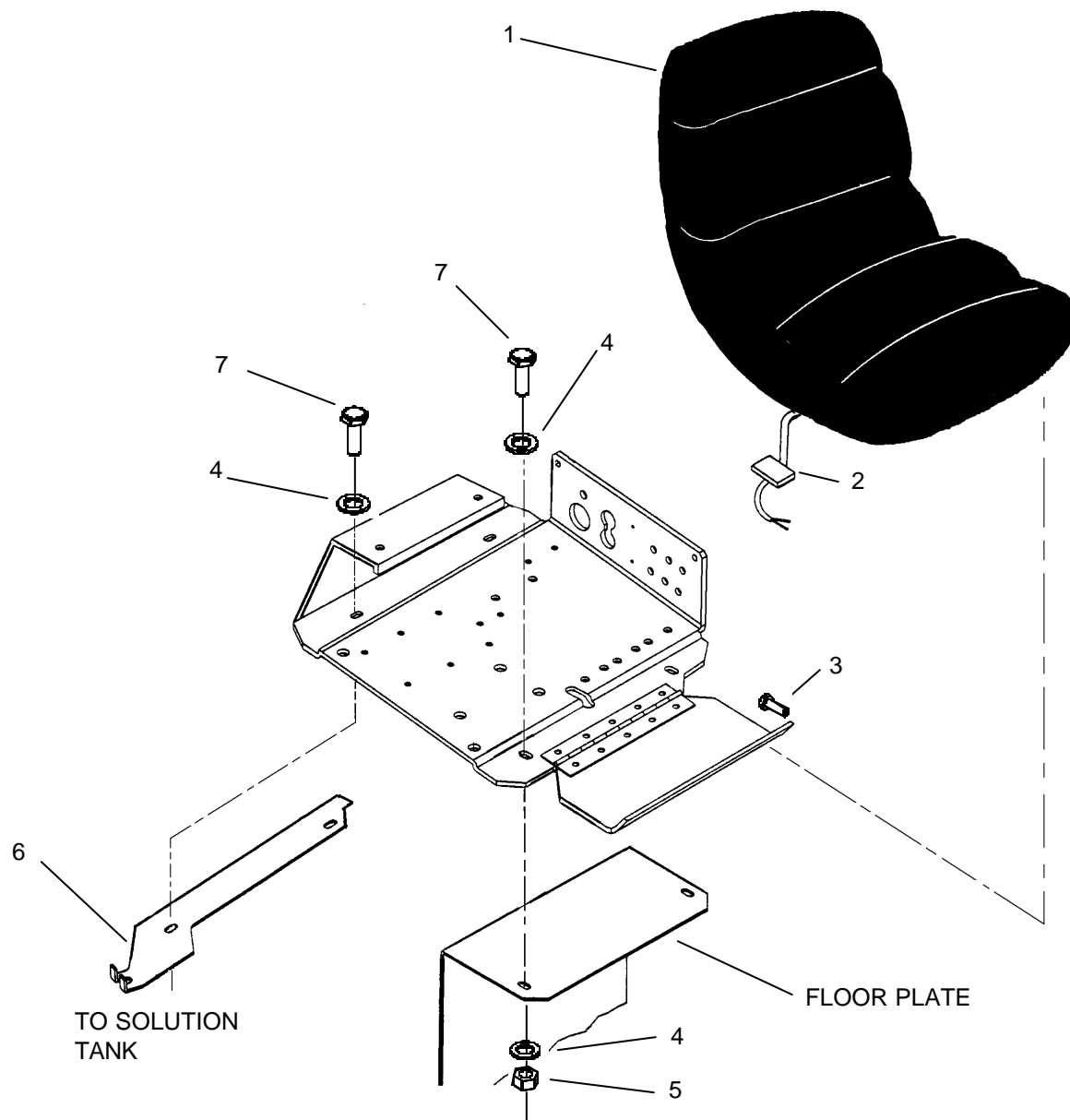
SCRUB HEAD LIFT GROUP - DISK



SCRUB HEAD LIFT GROUP - DISK

REF	PART NO.	QTY	DESCRIPTION	SERIAL NO.	NOTES:
1	81742	1	PLATE, SWING MOUNT		
2	82056	1	PIN, PIVOT 1/2" X 8.69"		
3	87119	10	WASHER, .53 ID X 1.0 OD X .060 PLTD		
4	67132	2	RING, 1/2 EXT. SNAP H-D		
5	70266	4	SCR, 3/8-16 X 1" HHCS GR5 PLTD		
6	87163	4	WASHER, 3/8 SPLIT LOCK		
7	81325	4	BEARING, 1/2 ID X 7/32 L NYLON		
8	81392	3	BALL JOINT ASM, 1/2-20		
9	57221	2	NUT, 1/4-20 HEX JAM		
10	82205	1	ROD TRAILING ARM		
11	57222	1	NUT, 1/2-20 HEX L.H. JAM		
12	82192	1	PIN, COTTER HAIR .178 DIA		
13	81752	1	WELDMENT, FRONT PIVOT		
14	81394	8	BEARING, FIBER 1/2" ID X 1/4 L		
15	80607	2	COTTER, 1/2" RING		
16	57201	4	NUT, 1/2-20 HEX NYLOCK SS		
17	70377	4	SCR, 3/8-16 X 1.25 HHCS GR5 PLTD		
18	81751	1	ANGLE, VALVE MOUNT		
19	82057	1	PINT, PIVOT 1/2" X 7.69"		
20	57031	6	NUT, 5/19-18 HEX		
21	81978	1	SPRING, EXT. .75 D X 4.0 L X .105 W		
22	66217	1	PIN, CLEVIS 3/8" X 3/4"		
23	81387	1	BUMPER		
24	70601	1	SCR, 5/16-18 X 2.75 HHCS GR5		
25	82466	1	WELDMENT, TRAILING ARM E. VLVE		
26	81396	4	WASHER FIBERGLIDE 1/2" ID X 1" OD		
27	80102	4	SPACER, .500 OD X .391 ID C X .400		
28	80683	2	WASHER, NEOPRENE 3/8" X 1. OD		
29	87143	2	WASHER, 7/16 ID X 1 D X .08 FLAT		
30	57119	6	NUT, 3/8-16 HEX NYLOCK		
31	81765	1	WELDMENT, ACTUATOR PIVOT		
32	81406	2	PIN, CLEVIS, 3/8 X 2		
33	82061	1	PIN, CLEVIS 3/8 X 4.63 PLTD		
34	80606	5	COTTER, 3/8" RING		
35	830036	1	ACTUATOR, 36V' STROKE		
36	70574	2	SCR, 3/8-16 X 7.5 HHCS GR5 PLTD		
37	81814	1	WELDMENT, SPRING RETAINER		
38	81311	4	SPRING, COMP 1.00 X 3.5L X .135 W		
39	81764	1	SPRING, MOUNT		
40	57111	2	NUT, 3/8-16 HEX		
41	81763	1	CHANNEL, PIVOT		
42	82060	1	PIN, CLEVIS 3/8 X 5.25 PLTD		
43	80654	2	BUMPER, ADJUSTMENT		
44	81325	4	BEARING, 1/2 ID X 7/32 L		
45	82191	1	PIN, COTTER HAIR .178 DIA		
46	82058	1	PIN, CLEVIS 3/8 X 3.5 PLTD		
47	81757	1	WELDMENT, QUICK CONNECT		
48	29176	1	DIODE, ASSEMBLE FASCO ACTUATOR		AVAILABLE IN KIT #47174
49	72122	1	SWITCH, L2020 TRAVEL LIMIT		AVAILABLE IN KIT #47174
50	81746	1	WELDMENT, SWING ARM		

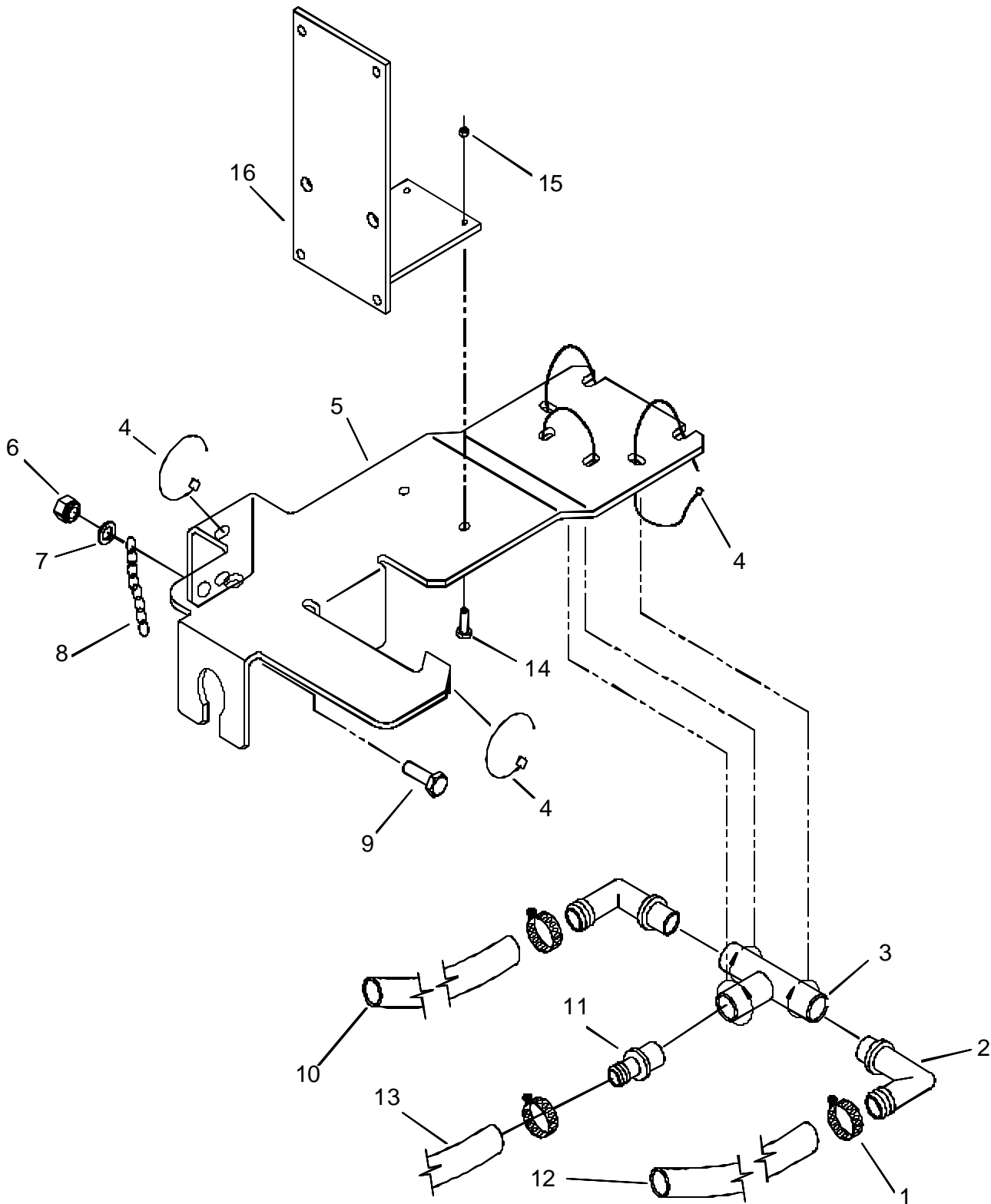
SEAT GROUP



SEAT GROUP

REF	PART NO.	QTY	DESCRIPTION	SERIAL NO. FROM	NOTES:
1	82999	1	SEAT-SUPER SUBURBAN BLK VINYL		
2	81884	1	SWITCH ASM, SEAT		
3	70375	2	SCR, 5/16-18 X 1/2 HHCS GR5 PLTD		
4	87142	6	WASHER, .344 X .69 X .066 FLAT		
5	57113	2	NUT, 5/16-18 HEX NYLOCK		
6	830877	1	PLATE, DRAIN HOSE		
7	70305	4	SCR, 5/16-18 X 3/4 HHCS GR5 PLTD		

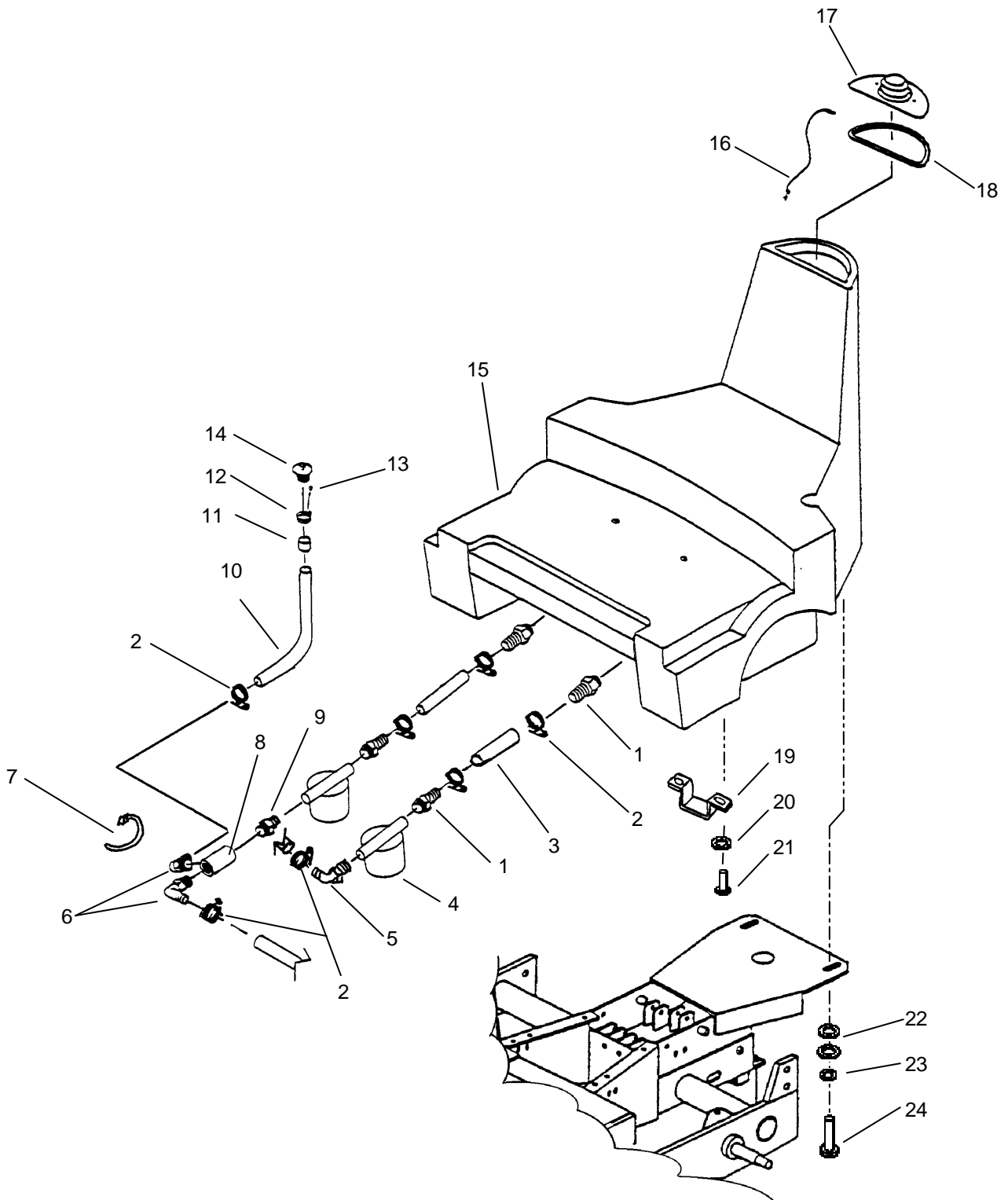
SOLUTION HOSES AND FITTINGS GROUP



SOLUTION HOSES AND FITTINGS GROUP

REF	PART NO.	QTY	DESCRIPTION	SERIAL NO. FROM	NOTES:
1	20042	3	CLAMP, 3/8 HOSE (D-SLOT)		
2	81913	2	HOSEBARB, 3/4 MPT X 5/8 H		
3	81923	1	TEE, 3/4 FPT		
4	27049	5	CABLE TIE, 7" UL/CSA		
5	830833	1	PLATE, VALVE MOUNT		
6	57047	1	NUT, 1/4-20 HEX NYLOCK SS		
7	87013	1	WASHER, 1/4 ID X 5/8 OD S		
8	80582	1	CHAIN, #1/0 7-LINKS GROUNDING		
9	70270	1	SCR, 1/4-20 X 3/4 HHCS PL		
10	39554	1	HOSE, 5/8" VINYL X 15.5"		
11	80962	1	FITTING, 3/4 NPT X 1/2 BARB		
12	39494	1	HOSE, 5/8" VINYL X 13"		
13	39555	REF	HOSE, 5/8" VINYL X 18.5"		
14	70440	2	SCR, 10-24 X 5/8 PPHMS		
15	57252	2	NUT, 10-24 HEX NYLOCK SS		
16	81751	REF	ANGLE, VALVE MOUNT		

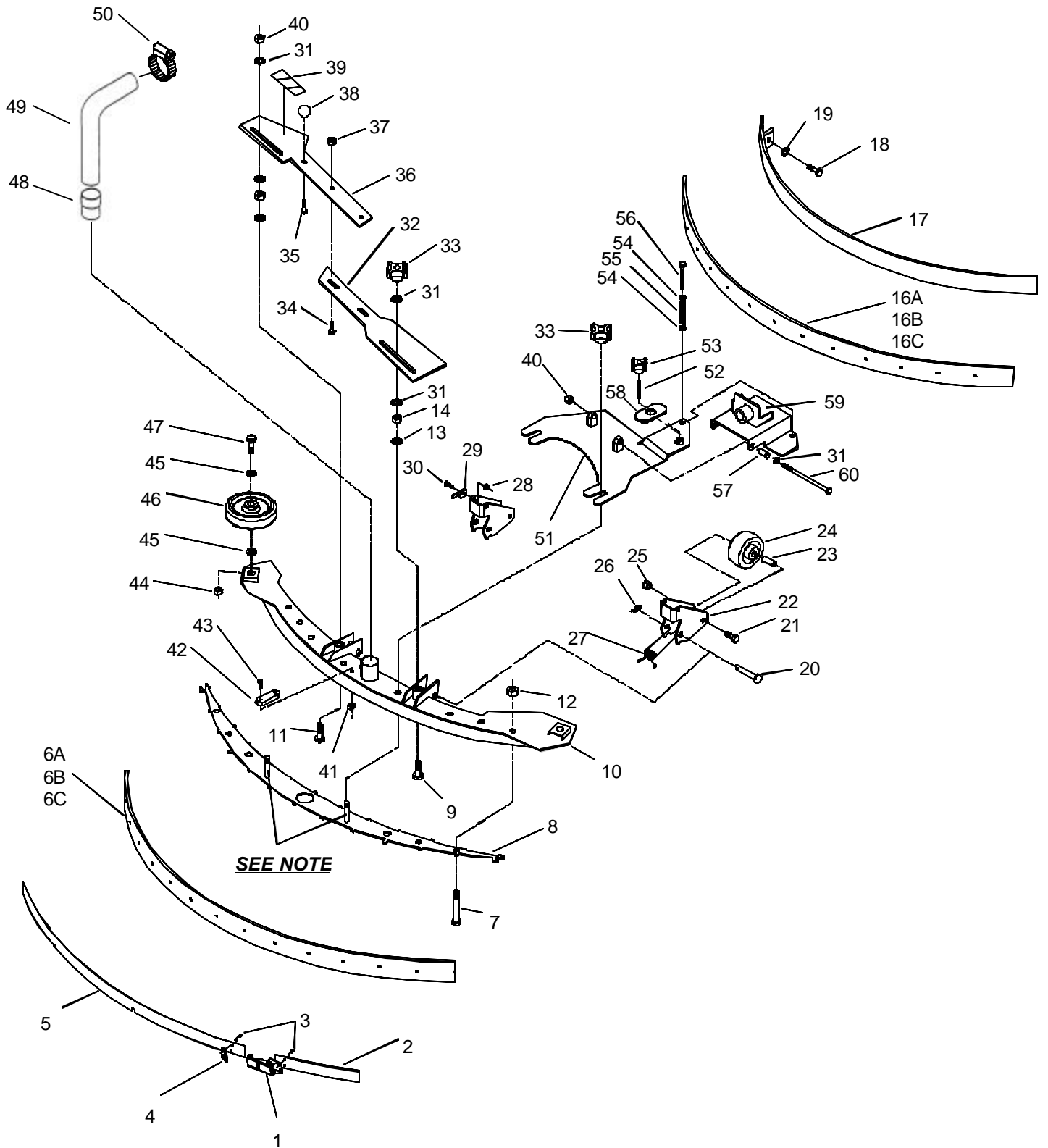
SOLUTION TANK GROUP



SOLUTION TANK GROUP

REF	PART NO.	QTY	DESCRIPTION	SERIAL NO. FROM	NOTES:
1	82016	4	HOSEBARB, 1/2 MPT X 1/2 PVC		
2	20042	7	CLAMP, 3/8 HOSE (D-SLOT)		
3	39495	2	HOSE, 5/8" VINYL X 3"		
4	830883	2	STRAINER, 1/2 FPT 20 MESH		
5	40080	1	HOSEBARB, 1/2 MPT X 5/8 90D		
6	81913	2	HOSEBARB, 3/4 MPT X 5/8H 90D		
7	27051	1	CABLE TIE, 11.38" UL/CSA		
8	81923	1	TEE, 3/4 FPT		
9	82362	1	FTG, NIPPLE REDUCER 3/4"		
10	39557	1	HOSE, 5/8" VINYL X 30.0"		
11	82266	1	FTG, COUPLING, 1/2" COPPER		
12	27746	1	CABLE TIE, .19 W X 11.5L BLK		
13	27670	1	CORD, DRAIN PLUG		
14	82267	1	PLUG, 5/8" DRAIN HOSE		
15	81533	1	TANK, SOLUTION		
16	27417	1	CORD, 99807 1/8 X 12"		
17	81867	1	COVER, SOLUTION TANK		
18	81980	1	GASKET, TANK COVER		
19	831053	1	BRKT, CABLE SUPPORT		
20	87142	2	WASHER, .344 X .69 X .066 FLAT		
21	70375	2	SCR, 5/16 X 1/2 HHCS GR5 PLTD		
22	87102	4	WASHER, 5/16 ID X 1/ 1/4 OD		
23	87083	2	WASHER, 5/16 SPLIT LOCK PLTD		
24	70305	2	SCR, 5/16 X 3/4 HHCS GR5 PLTD		

SQUEEGEE GROUP (STANDARD SQUEEGEE)



NOTE: APPLY ANTI-SEIZE AS NECESSARY.

SQUEEGEE GROUP (STANDARD SQUEEGEE)

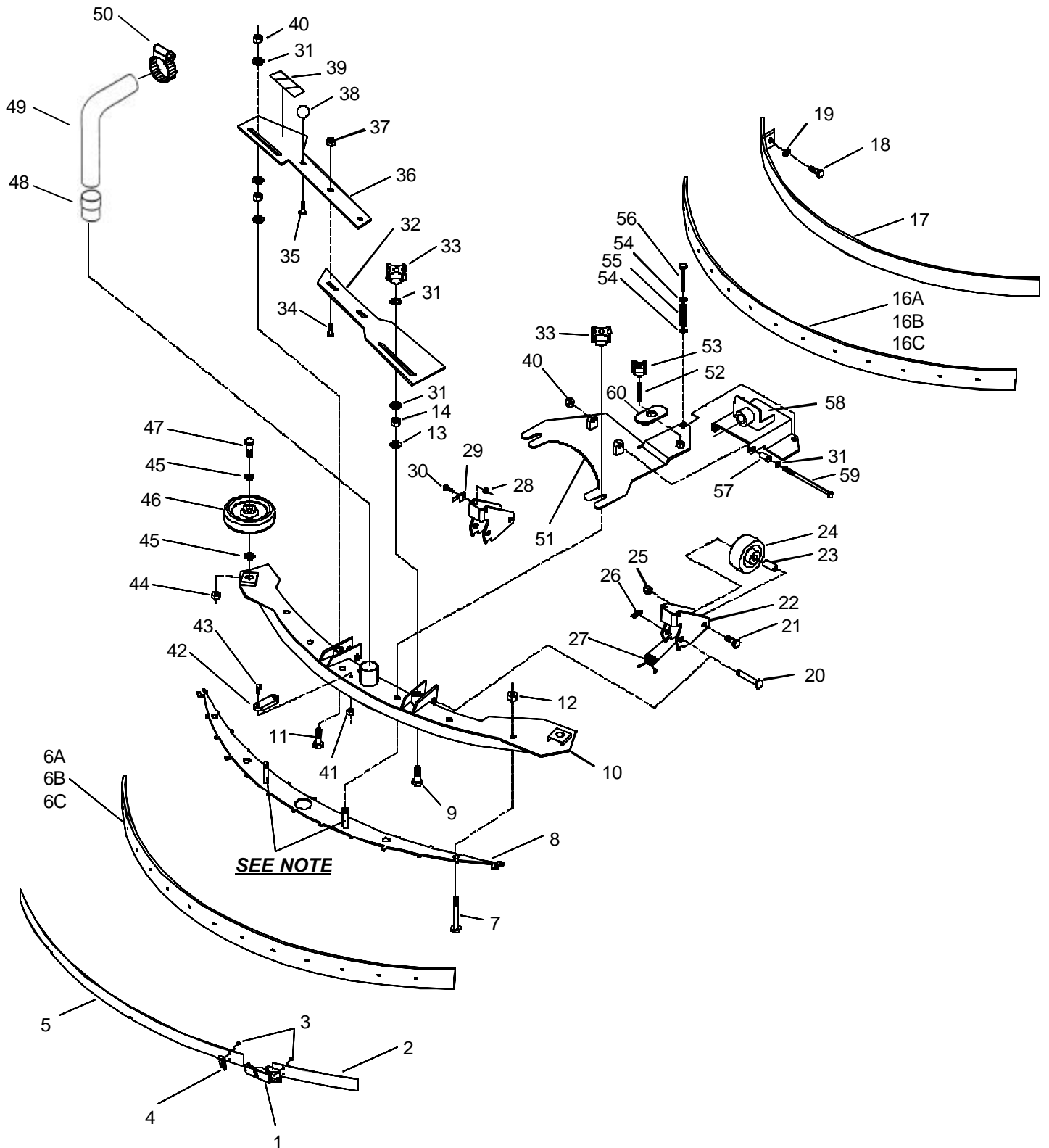
REF	PART NO.	QTY	DESCRIPTION	SERIAL NO. FROM	NOTES:
1	81488	1	LATCH, SQUEEGEE STRAP		
2	830909	1	STRAP ASM, SQ REAR SHORT		
3	67380	4	RIVET, 5/32 OF X 1/8 GRIP		
4	81489	1	STRIKER, SQUEEGEE STRAP REAR		
5	830907	1	STRAP ASM, SQ REAR LONG		
6A	830916	1	SQUEEGEE, REAR BLADE LINATEX		STANDARD
6B	831060	REF	SQU., REAR BLADE (TILE)		OPTION
6C	831061	REF	SQU., REAR BLADE (BTTNS)		OPTION
6D	730064	REF	SQGE BLADE. REAR URETHANE 52.5"		OPTION
7	70715	6	SCR, 5/16-18 X 1.75 CARR		
8	830902	1	PLATE ASM., SQU. BOTTOM		
9	70006	1	SCR, 3/8-16 X 2.5 HHCS		
10	830892	1	TOP SQUEEGEE PLATE ASM		
11	70647	1	SCR, 3/8-16 X 1.75 HHCS SS		
12	57023	6	NUT, 5/16-18 LOCK SS		
13	87024	2	WASHER, 3/8 STAR SS		
14	57085	2	NUT, 3/8-16 HEX JAM		
15	-	-	OPEN		
16A	830915	1	SQUEEGEE, FRONT BLADE LINATEX		STANDARD
16B	831058	REF	SQU., FRT BLADE (TILE)		OPTION
16C	831059	REF	SQU., FRT BLADE (BTTNS)		OPTION
17	830904	1	STRAP ASM., SQU. FRONT		
18	70714	1	SCR, 1/4-20 X 1.5 HHMS SS		
19	57065	1	NUT, 1/4-20 JAM SS		
20	80637	2	PIN, CLEVIS 3/8" X 2.375" PLTD		
21	70259	2	SCR, 5/16-18 X 1.75 HHCS		
22	140275	2	BRKT, SQUEEGEE WHEEL SUPPORT		
23	140390	2	BUSHING, SPANNER .435 X 1.10		
24	89202	2	WHEEL, 3" DIA CUSHION RUBBER		
25	57113	2	NUT, 5/16-18 HEX NYLOCK		
26	80606	2	COTTER, 3/8" RING		
27	73887	2	SPRING, 120 DEGREE TORSION		
28	57252	1	NUT, 10-24 HEX NYLOCK SS		
29	82799	1	PLATE, POINTER		
30	70086	1	SCR, 10-24 X 1/2 PPHMS		
31	87143	6	WASHER, 7/16 ID X 1 D X .08 FLT SS		
32	830913	1	PLATE, SLIDE SQU. SHORT		
33	81535	3	KNOB, 3/8-16 4 PRONG ALUM.		
34	70112	2	SCR, 1/4-20 X 3/4 CARRIAGE		
35	70375	1	SCR, 5/16-18 X 1/2 HHCS GR5 NP		
36	830914	1	PLATE, SLIDE SQU. LONG		
37	57047	2	NUT, 1/4-20 HEX NYLOCK		
38	82922	1	KNOB, 1" BALL 5/16-18 INSERT		
39	82644	1	OVERLAY, SQUEEGEE		
40	57022	2	NUT, 3/8-16 HEX NYLOCK THIN SS		
41	57026	2	NUT, 8-32 HEX NYLOCK SS		
42	82576	1	VIAL, LEVEL		
43	70711	2	SCR, 8-32 X 1.25 FHMS SS		
44	57118	2	NUT, 1/2-13 HEX NYLOCK		
45	87160	4	WASHER, 1/2 FLAT PLTD		
46	89099	2	WHEEL, 6 X 1 X .5 GRY		
47	70341	2	SCR, 1/2-13 X 2.5 HHCS GR5PLT		

THIS PAGE LEFT BLANK INTENTIONALLY

SQUEEGEE GROUP (STANDARD SQUEEGEE CONT.)

REF	PART NO.	QTY	DESCRIPTION	SERIAL NO. FROM	NOTES:
48	81866	1	CUFF, 2" ID VAC-U-FLEX HOSE		
49	81931	1	HOSE, 2" VAC X 47"		
50	81431	1	CLAMP, 2.50 WORM GEAR		
51	830917	1	LOWER, SQU. MNT. ASM, FLX2		
52	70713	1	STUD, 3/8-16 X 2.12 SS		
53	831017	1	KNOB, 3/8-16 BLD INSERT 4 PRNG		
54	87003	2	WASHER, 3/8 ID X 7/8 OD SS		
55	830923	1	SPRING, COMP., .72 OD X 3.5 O		
56	70657	1	SCR, 3/8-16 X 3.5 HHCS SS		
57	80815	2	BEARING, FLANGED 3/8" ID 11/16"		
58	140403	1	BAR, SQUEEGEE ADJ. LOCKING		
59	831056	1	UP. SQ. MNT. ASM., STAND W/BRG		
60	70712	2	SCR, 3/8-16 X 6.0 HHCS SS		

SQUEEGEE GROUP (TIGHT SQUEEGEE)



NOTE: APPLY ANTI-SEIZE AS NECESSARY.

SQUEEGEE GROUP (TIGHT SQUEEGEE)

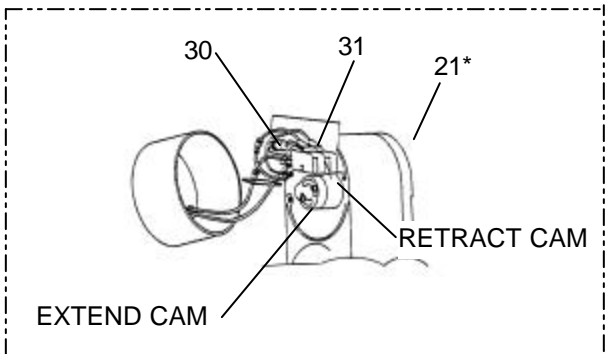
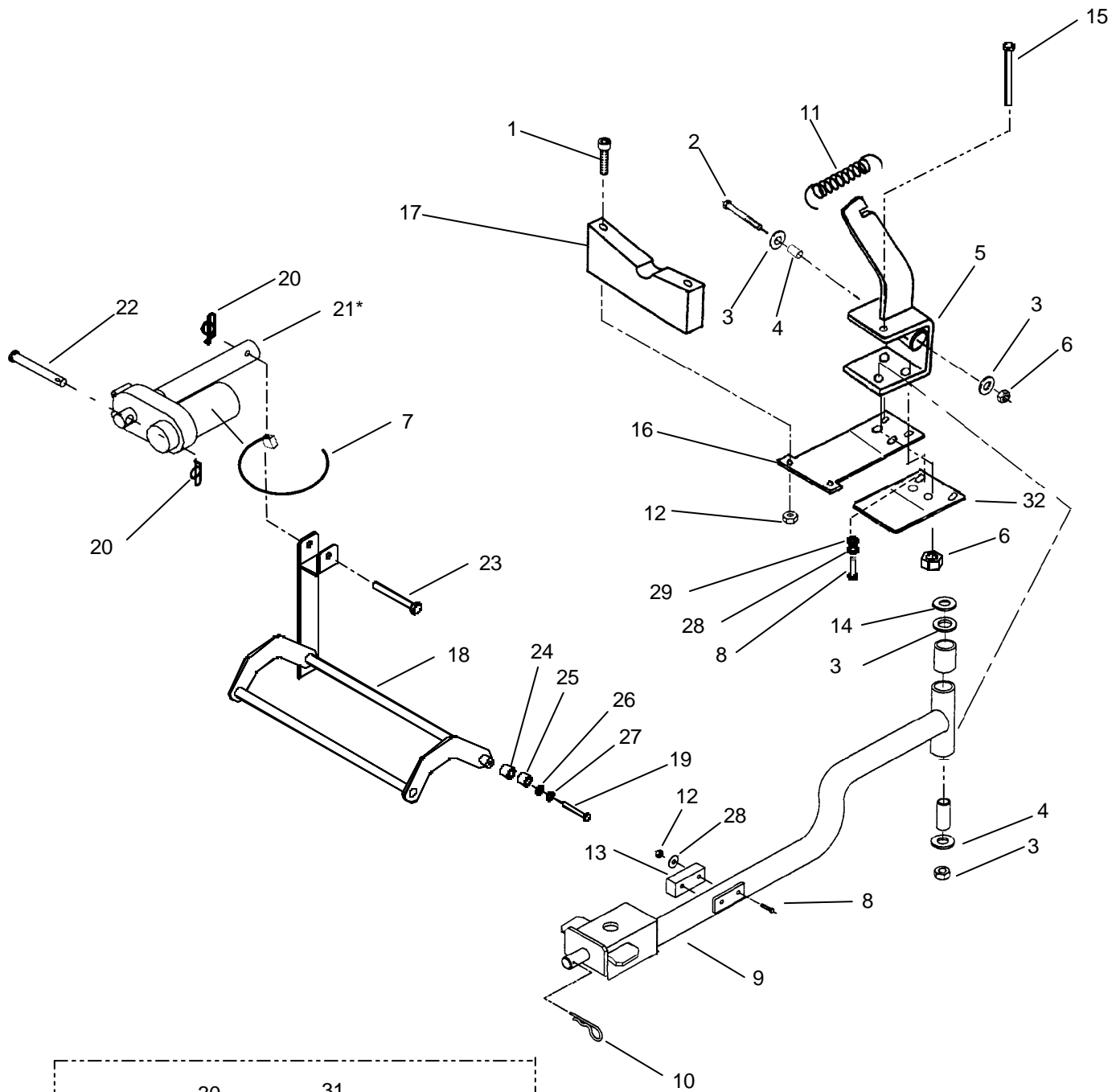
REF	PART NO.	QTY	DESCRIPTION	SERIAL NO. FROM	NOTES:
1	81488	1	LATCH, SQUEEGEE STRAP		
2	831209	1	STRAP ASM, TGHT SQ RR ST FLX2T		
3	67380	4	RIVET, 5/32 OF X 1/8 GRIP		
4	81489	1	STRIKER, SQUEEGEE STRAP REAR		
5	831208	1	STRAP ASM, TGHT SQ RR LG FLX2T		
6A	831201	1	SQUEEGEE, REAR BLADE LINATEX		STANDARD
6B	831070	REF	SQU. REAR BLADE (TILE) FLX2T		OPTION
6C	831171	REF	SQU. REAR BLADE (BTTNS) FLX2T		OPTION
7	70715	9	SCR, 5/16-18 X 1.75 CARR		
8	831216	1	PLATE ASM, TIGHT SQ BOT FLX2T		
9	70006	1	SCR, 3/8-16 X 2.5 HHCS		
10	831215	1	PLATE ASM, TIGHT SQ TOP FLX2T		
11	70647	1	SCR, 3/8-16 X 1.75 HHCS SS		
12	57023	6	NUT, 5/16-18 LOCK SS		
13	87024	2	WASHER, 3/8 STAR SS		
14	57085	2	NUT, 3/8-16 HEX JAM		
15	-	-	OPEN		
16A	831202	1	SQUEEGEE, FRONT BLADE LINATEX		STANDARD
16B	831068	REF	SQU. FRT. BLADE (TILE) FLX2T		OPTION
16C	831069	REF	SQU. FRT BLADE (BTTNS) FLX2T		OPTION
17	831212	1	STRAP ASM, TIGHT SQ FRT FLX2T		
18	70714	1	SCR, 1/4-20 X 1.5 HHMS SS		
19	57065	1	NUT, 1/4-20 JAM SS		
20	80637	2	PIN, CLEVIS 3/8" X 2.375" PLTD		
21	70259	2	SCR, 5/16-18 X 1.75 HHCS		
22	140275	2	BRKT, SQUEEGEE WHEEL SUPPORT		
23	140390	2	BUSHING, SPANNER .435 X 1.10		
24	89202	2	WHEEL, 3" DIA CUSHION RUBBER		
25	57113	2	NUT, 5/16-18 HEX NYLOCK		
26	80606	2	COTTER, 3/8" RING		
27	73887	2	SPRING, 120 DEGREE TORSION		
28	57252	1	NUT, 10-24 HEX NYLOCK SS		
29	82799	1	PLATE, POINTER		
30	70086	1	SCR, 10-24 X 1/2 PPHMS		
31	87143	6	WASHER, 7/16 ID X 1 D X .08 FLT SS		
32	830913	1	PLATE, SLIDE SQU. SHORT		
33	81535	3	KNOB, 3/8-16 4 PRONG ALUM.		
34	70112	2	SCR, 1/4-20 X 3/4 CARRIAGE		
35	70375	1	SCR, 5/16-18 X 1/2 HHCS GR5 NP		
36	830914	1	PLATE, SLIDE SQU. LONG		
37	57047	2	NUT, 1/4-20 HEX NYLOCK		
38	82922	1	KNOB, 1" BALL 5/16-18 INSERT		
39	82644	1	OVERLAY, SQUEEGEE		
40	57022	2	NUT, 3/8-16 HEX NYLOCK THIN SS		
41	57026	2	NUT, 8-32 HEX NYLOCK SS		
42	82576	1	VIAL, LEVEL		
43	70711	2	SCR, 8-32 X 1.25 FHMS SS		
44	57118	2	NUT, 1/2-13 HEX NYLOCK		
45	87160	4	WASHER, 1/2 FLAT PLTD		
46	89099	2	WHEEL, 6 X 1 X .5 GRY		
47	70341	2	SCR, 1/2-13 X 2.5 HHCS GR5PLT		

THIS PAGE LEFT BLANK INTENTIONALLY

SQUEEGEE GROUP (TIGHT SQUEEGEE CONT.)

REF	PART NO.	QTY	DESCRIPTION	SERIAL NO. FROM	NOTES:
48	81866	1	CUFF, 2" ID VAC-U-FLEX HOSE		
49	81931	1	HOSE, 2" VAC X 47"		
50	81431	1	CLAMP, 2.50 WORM GEAR		
51	830917	1	LOWER, SQU. MNT. ASM, FLX2		
52	70713	1	STUD, 3/8-16 X 2.12 SS		
53	831017	1	KNOB, 3/8-16 BLD INSERT 4 PRNG		
54	87003	2	WASHER, 3/8 ID X 7/8 OD SS		
55	830923	1	SPRING, COMP., .72 OD X 3.5 O		
56	70657	1	SCR, 3/8-16 X 3.5 HHCS SS		
57	80815	2	BEARING, FLANGED 3/8" ID 11/16"		
58	831056	1	UP. SQ. MNT. ASM., STAND W/BRG		
59	70712	2	SCR, 3/8-16 X 6.0 HHCS SS		
60	140403	1	BAR, SQUEEGEE ADJ. LOCKING		

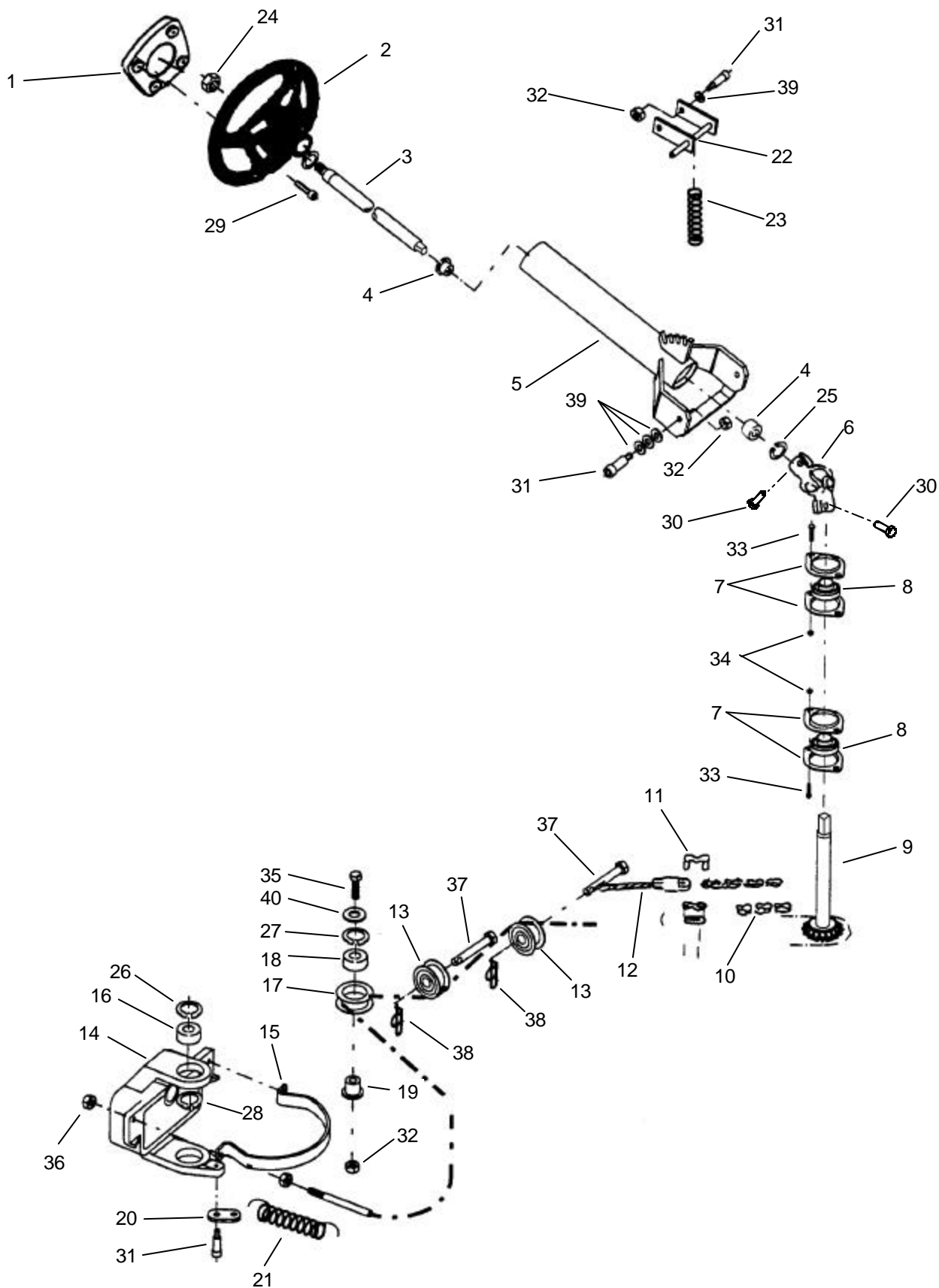
SQUEEGEE LIFT GROUP



SQUEEGEE LIFT GROUP

REF	PART NO.	QTY	DESCRIPTION	SERIAL NO. FROM	NOTES:
1	70371	2	SCR, 1/4-20 X 2.5 SCHS		
2	70509	1	SCR, 3/8-16 X 4 HHCS GR5		
3	81396	4	WASHER FIBERGLIDE 1/2" X 1" OD		
4	81828	2	SPACER, .500 OD X .344 ID X 2.875		
5	830219	1	SQUEEGEE LIFT ARM ASM		
6	57119	2	NUT, 3/8-16 HEX NYLOCK		
7	27196	1	CABLE TIE		
8	70505	4	SCR, 1/4-20 X 1 HHCS GR5 PLTD		
9	831055	1	SQUEEGEE ARM ASM		
10	80657	1	PIN, COTTER HAIR .148 DIA X 3/4		
11	82199	1	SPRING, EXT 1. OD X 8.0 L		
12	57047	4	NUT, 1/4-20 HEX NYLOCK		
13	81028	1	BLOCK, SLIDE		
14	87119	1	WASHER, .51 ID X 1.0 OD X .060 PLTD		
15	70494	1	SCR, 3/8-16 X 4.5" HHS GR5 PLTD		
16	82462	1	PLATE, SQU. RET. SPRING		
17	82443	1	BLOCK SQUEEGEE RETAINING		
18	81716	1	WELDMENT, SQUEEGEE LIFT		
19	70377	2	SCR, 3/8-16 X 1.25 HHCS GR5 PLTD		
20	80606	2	COTTER, 3/8" RING		
21	830035	1	ACTUATOR, 36V 3" STROKE		
22	66233	1	PIN, COTTER 3/8" X 1.625 PLTD		
23	81406	1	PIN, CLEVIS 3/8 X 2		
24	81377	2	BEARING, FIBER 1/2 ID X 3/8 L		
25	80101	2	SPACER, 1/2 OD X .391 D X .70 L		
26	87143	2	WASHER, 7/16 ID X 1 D X .08 FLAT		
27	87163	2	WASHER, 3/8 SPLIT LOCK		
28	87013	4	WASHER, 1/4 ID X 5/8 OD SS		
29	87162	2	WASHER, SPLIT LOCK		
30	29176	1	DIODE, ASM, FASCO ACTUATOR		AVAILABLE IN KIT #47174
31	72122	1	SWITCH, L2020 TRAVEL LIMIT		AVAILABLE IN KIT #47174
32	82463	1	PLATE, RET. DBLR SPRING		

STEERING GROUP

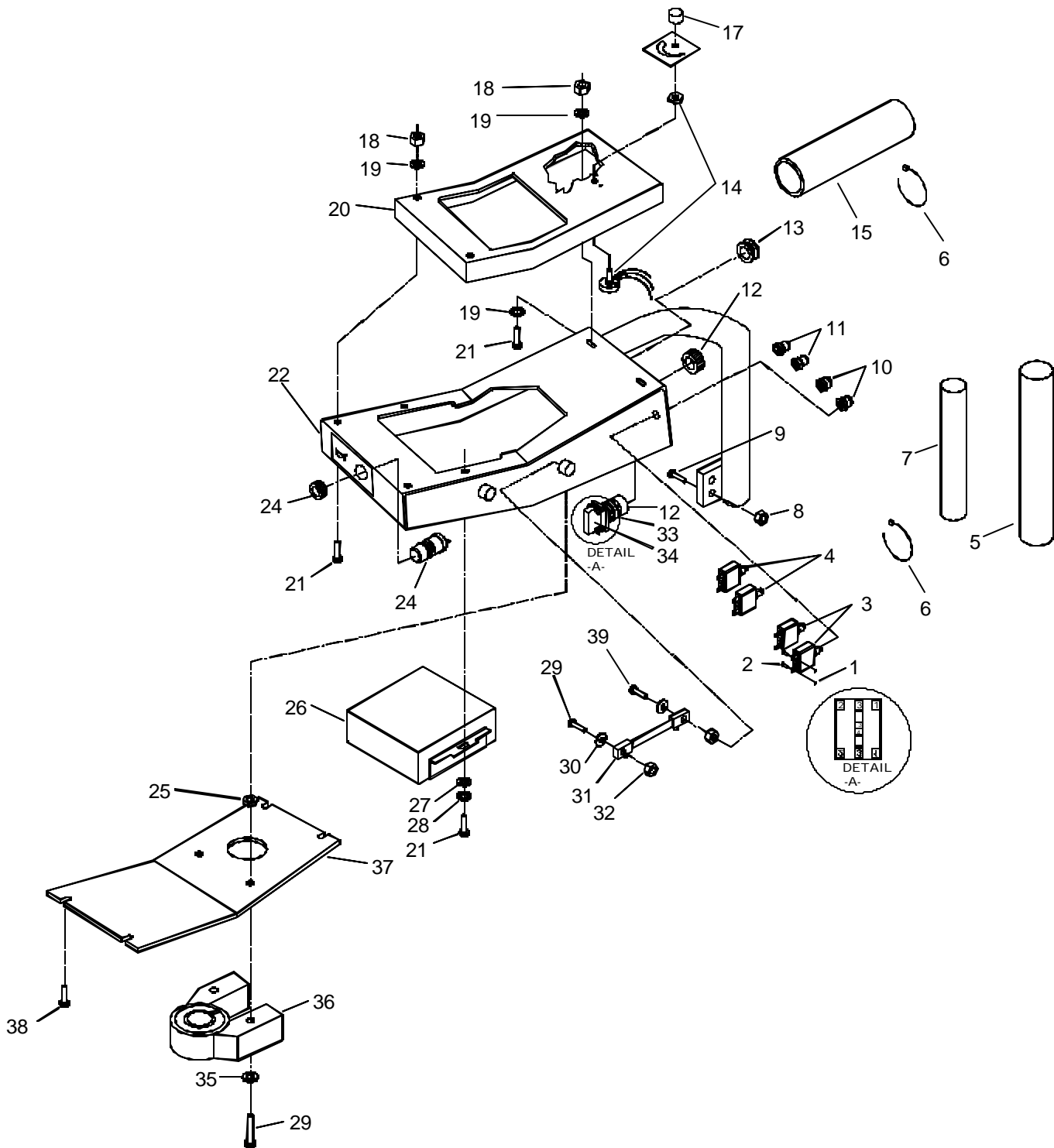


FLEX 98765 09/05/00

STEERING GROUP

REF	PART NO.	QTY	DESCRIPTION	SERIAL NO. FROM	NOTES:
1	27748	1	COVER, STEERING WHEEL		
2	80617R	1	WHEEL, STEERING		
3	830825	1	SHAFT, UPPER STEERING		
4	09072	2	BEARING. 3/4" BORE FLANGED		
5	830820	1	STEERING COLUMN		
6	45010	1	JOINT, UNIVERSAL		
7	80595	4	FLANGE, BEARING		
8	09070	2	BEARING, FLANGED		
9	830824	1	STEERING SHAFT		
10	81863	1	CHAIN, #41 1/2 PITCH X 36		
11	81873	3	CHAIN, #41 1/2 MASTER LINK		
12	81632	2	CABLE, STEERING		
13	81861	4	PULLEY, CABLE		
14	81567	1	PIVOT, MACHINED		
15	81579	1	BAR, STEERING CABLE		
16	09079	2	BEARING, BALL 205 PP SEALED		
17	81631	1	PULLEY, SPLITTER		
18	09084	1	BEARING, BALL 204 PP SEALED		
19	81633	1	SPACER, PULLEY STEERING		
20	81590	1	BAR, SPRING PIVOT		
21	81591	1	SPRING EXT. 2.2D X 6.0L X .262W		
22	81623	1	WELDMENT, STEERING TILT LOCK		
23	81977	1	SPRING EXT. .50D X 3.0L X .046W		
24	57228	1	NUT, 5/8-18 HEX NYLOCK THIN		
25	67416	2	RING, 3/4" KLIP		
26	80665	2	RING, RETAINING 2.06 INXTERNAL		
27	81859	1	RING, RETAINING INT 1.85		
28	67270	1	RING, 1.0 EXT. SNAP HD		
29	70353	4	SCR, 10-32 X 3/4 SHCS		
30	70681	2	SCR, M10 X 40 HHCS		
31	70598	5	SHOULDER BOLT, 1/2 OF X 1/2L		
32	57119	5	NUT, 3/8-16 HEX NYLOCK		
33	70305	4	SCR, 5/16-18 X 3/4 HHCS		
34	57113	4	NUT, 5/16 ELASTIC STOP		
35	70255	1	SCR, 3/8-16 X 1 1/2 HHCS		
36	57217	4	NUT, 3/8-16 HEX JAM		
37	66232	4	PIN, CLEVIS 3/8 X 1.5		
38	80606	4	COTTER, 5/16" RING		
39	87119	8	WASHER.53 ID X 1.0 OD X .06 PLTD		
40	87086	1	WASHER, M10 X 30 PLTD		

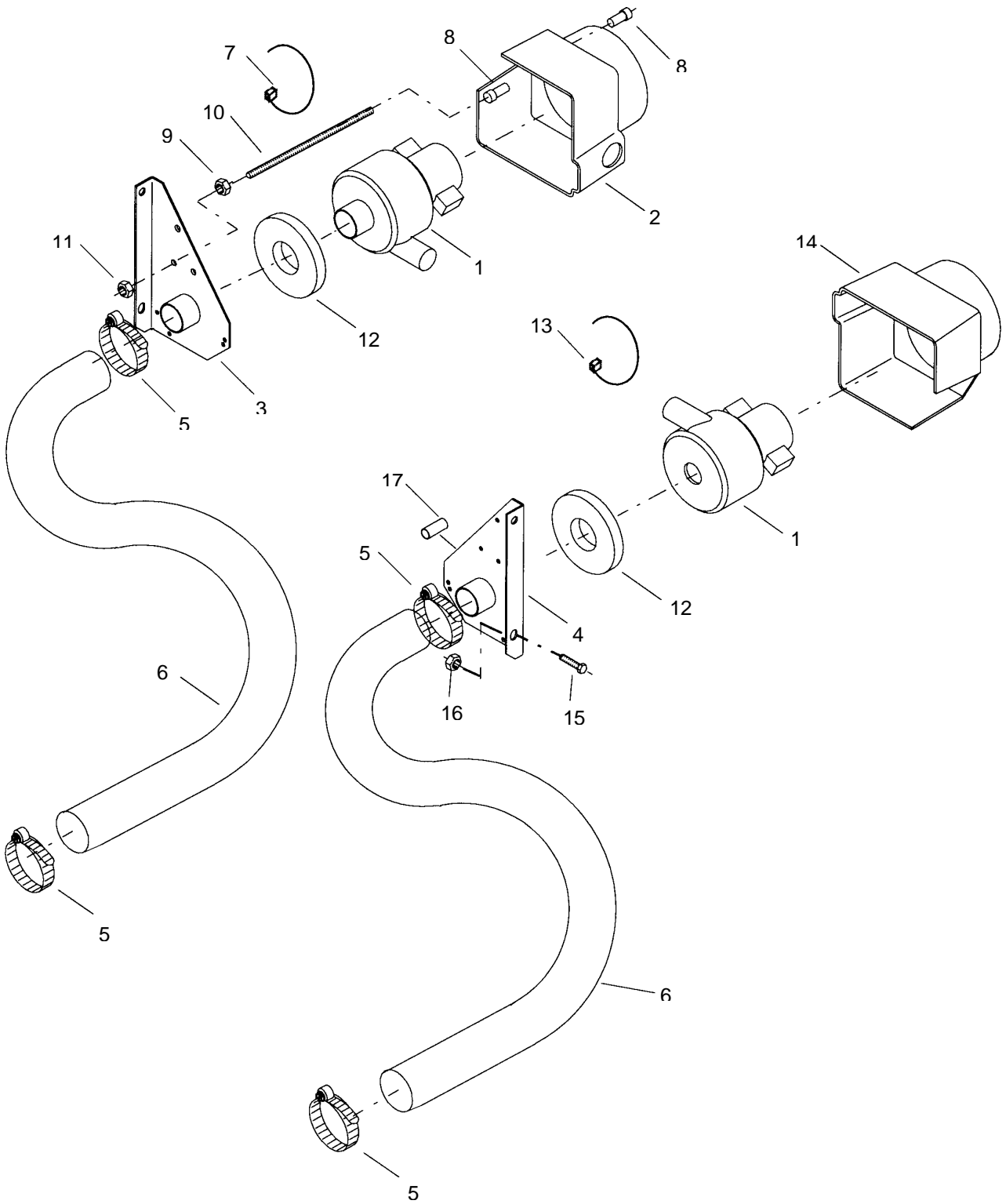
TOUCH PAD GROUP



TOUCH PAD GROUP

REF	PART NO.	QTY	DESCRIPTION	SERIAL NO. FROM	NOTES:
1	87134	4	WASHER, #6 LOCK		
2	70127	4	SCR, 6-32 X 1/4 PPHMS SS		
3	14606	2	BREAKER, 30A 50VDC CIRCUIT		
4	14717	2	BREAKER, 3 AMP		
5	830966	1	SLEEVE, 1.25" X 34.0		
6	27746	18	CABLE TIE, .19W X 11.5L BLK		
7	830965	1	SLEEVE, LOOM 3/4" X 23.0		
8	57032	2	NUT, 3/8-16 SERRATED FLG		
9	70266	2	SCR, 3/8-16 X 1" HHCSGR5PLT DL		
10	80845	2	BOOT, SEAL-PUSH BOTTON 7/16-28		
11	14942	2	BOOT, 3/8 CIRCUIT BREAKER		
12	02125	1	SWITCH, MAIN ROTARY (KEY)		
13	830968	1	GROMMET, 1" ID X 1/8" GROOVE		
14	880279	1	WIRE ASM., SOLUTION CONTROL FLX2		
15	830964	1	SLEEVE, LOOM 3/4" X 13.0		
16	-	-	OPEN		
17	48072	1	KNOB, 1.06 OD X .25 ID W/SET SCR		
18	57219	4	NUT, 10-24 HEX NYLOCK		
19	87018	6	WASHER, #10 X 9/16 OD		
20	61365	1	PANEL, TOUCH PAD MACH. FLX2		
21	70497	6	SCR, #10-24 X 1/2 SHCS		
22	830830	1	TOUCH PAD MOUNT, FLX2		
23	-	-	OPEN		
24	81371	1	SWITCH, PUSH BUTTON		
25	57047	2	NUT, 1/4-20 HEX NYLOCK		
26	830960	1	CONTROL BOX ASM., FLX2		
27	87095	2	WASHER, #10 FLAT PLTD		
28	87165	2	WASHER, #10 SPLIT LOCK		
29	70270	3	SCR, 1/4-20 X 3/4 HHCS PLTD		
30	87162	2	WASHER, 1/4 SPLIT LOCK		
31	73707	1	SHUNT, TYPE A DC AMMETER		
32	73659	2	STANDOFF, 1/4-20 X 1.0 HEX INS		
33	72088	1	SWITCH, CONTACT BLOCK CLIP		
34	72089	1	SWITCH, CONTACT MODULE NO		
35	87013	2	WASHER, 1/4 ID X 5/8 OD SS		
36	82473	1	HORN, HIGH DECIBEL 12-48V		
37	830832	1	PLATE, TOUCH PAD COVER		
38	70086	4	SCR, 10-24 X 1/2 PPHMS		
39	70505	1	SCR, 1/4-20 X 1 HHCS		

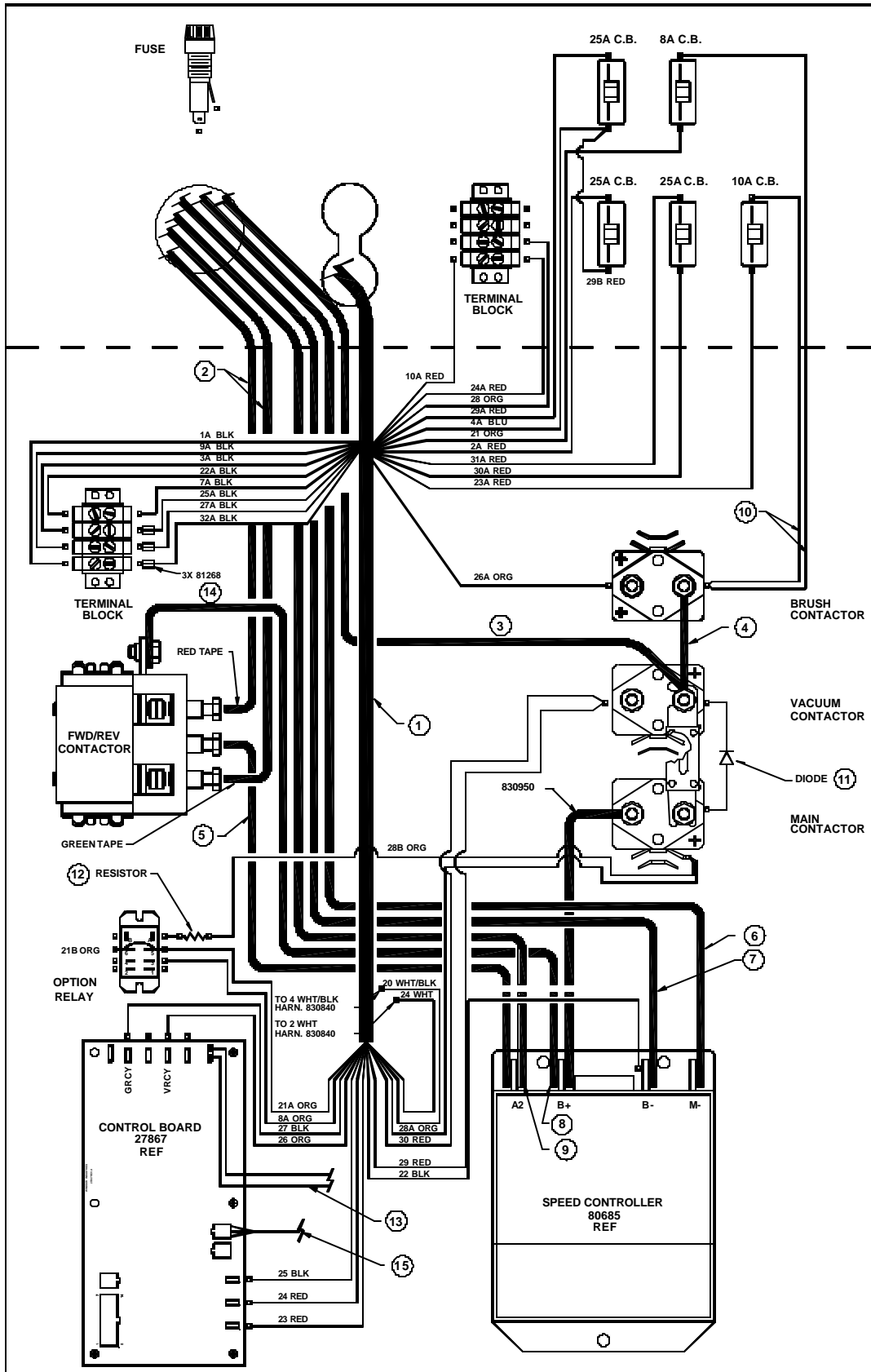
VACUUM GROUP



VACUUM GROUP

REF	PART NO.	QTY	DESCRIPTION	SERIAL NO. FROM	NOTES:
1	53633	2	MOTOR , VACUUM		
	14418	2	BRUSH SET, 53632 ASI		
2	81995	1	COVER, VAC MOTOR RT		
3	80413	1	WELDMENT, VAC MOUNT RH		
4	80414	1	WELDMENT, VAC MOTOR		
5	81431	4	CLAMP, HOSE		
6	81864	2	HOSE, VACUUM MOTOR		
7	27049	2	CABLE TIE		
8	57021	10	WELL NUT		
9	57006	6	NUT, 1/4-20 HEX		
10	81285	6	ROD, VAC MOUNT		
11	57047	6	NUT, 1/4-20 ELASTIC STOP		
12	35011	2	SEAL		
13	27196	2	CABLE TIE		
14	81996	1	COVER, VAC MOTOR LEFT		
15	70340	4	SCR, 1/2-13 X 1-1/4 HEX HD		
16	57118	4	NUT, 1/2-13 ELASTIC STOP		
17	81173	1	EDGING, 2.5 L		

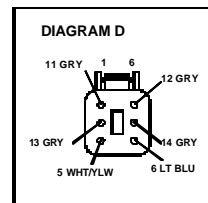
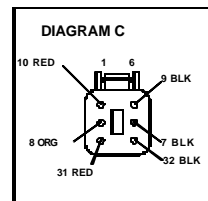
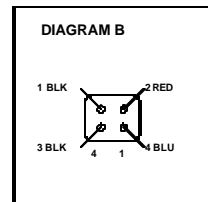
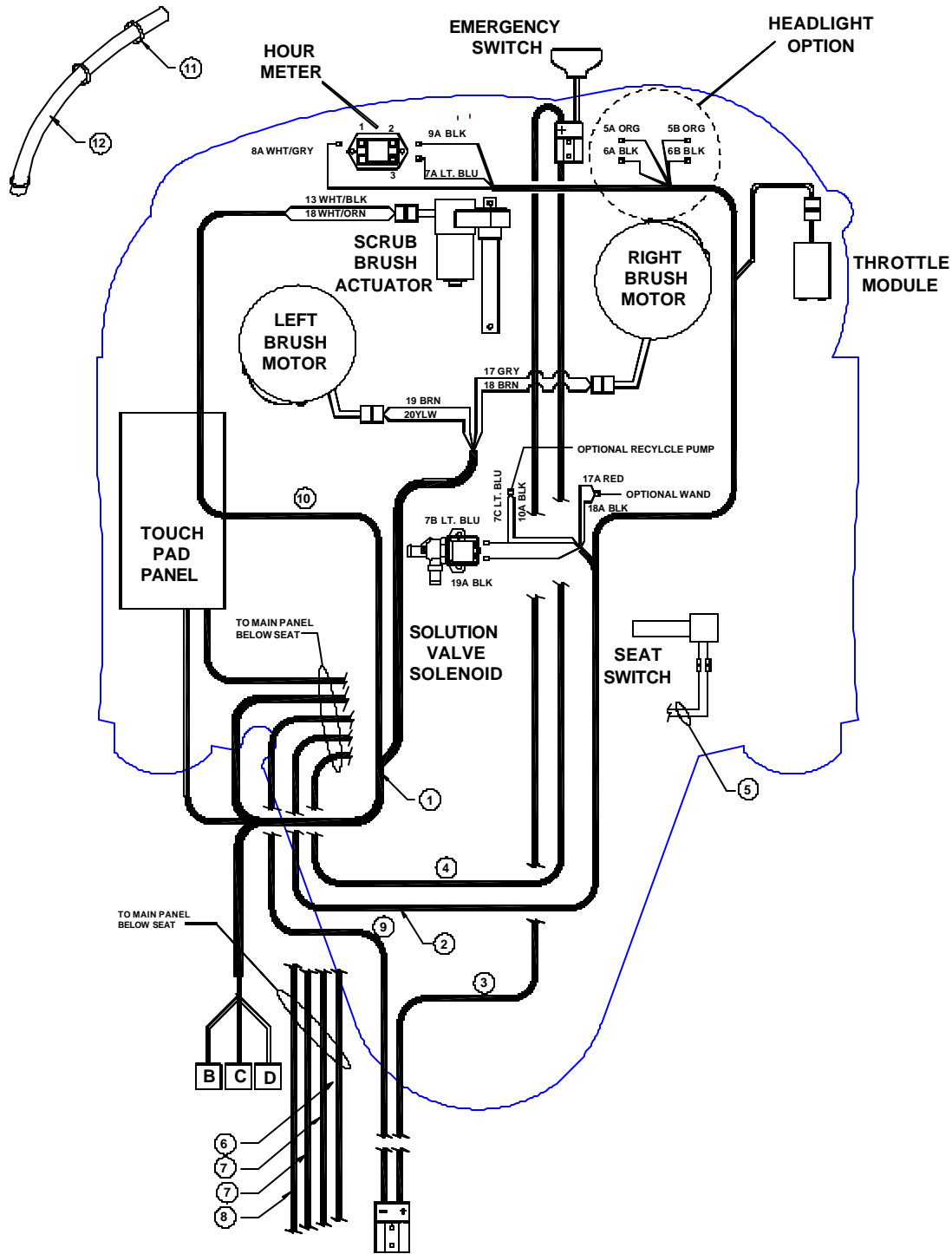
WIRING GROUP - FRONT MAIN HARNESS - MAIN PANEL



WIRING GROUP - FRONT MAIN HARNESS - MAIN PANEL

REF	PART NO.	QTY	DESCRIPTION	SERIAL NO. FROM	NOTES:
1	830871	REF	HARNESS, FRONT MAIN FLX2		
2	830957	2	CABLE, 4GA BLACK X 78.5"		
3	830953	1	CABLE, 4GA BLACK X 84.0"		
4	830950	2	CABLE, 4GA BLACK X 3.3"		
5	830951	1	CABLE, 4GA BLACK X 6.0"		
6	830956	1	CABLE, 4GA BLACK X 83.0"		
7	830955	1	CABLE, 4GA BLACK X 94.5"		
8	830959	1	CABLE, 4GA BLACK X 11.0"		
9	830952	1	CABLE, 4GA BLACK X 86.0"		
10	880266	2	WIRE, 8" RED/14 76066 X 76029		
11	29215	REF	DIODE ASM., 76075 X 76075		
12	67441	REF	RESISTOR ASM., OPTION RELAY		
13	880267	1	WIRE ASM., SECONDARY C.B. FLX2		
14	81268	3	TERMINAL, DOUBLER		
15	880279	REF	WIRE ASM., SOLUTION CONTROL		

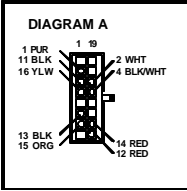
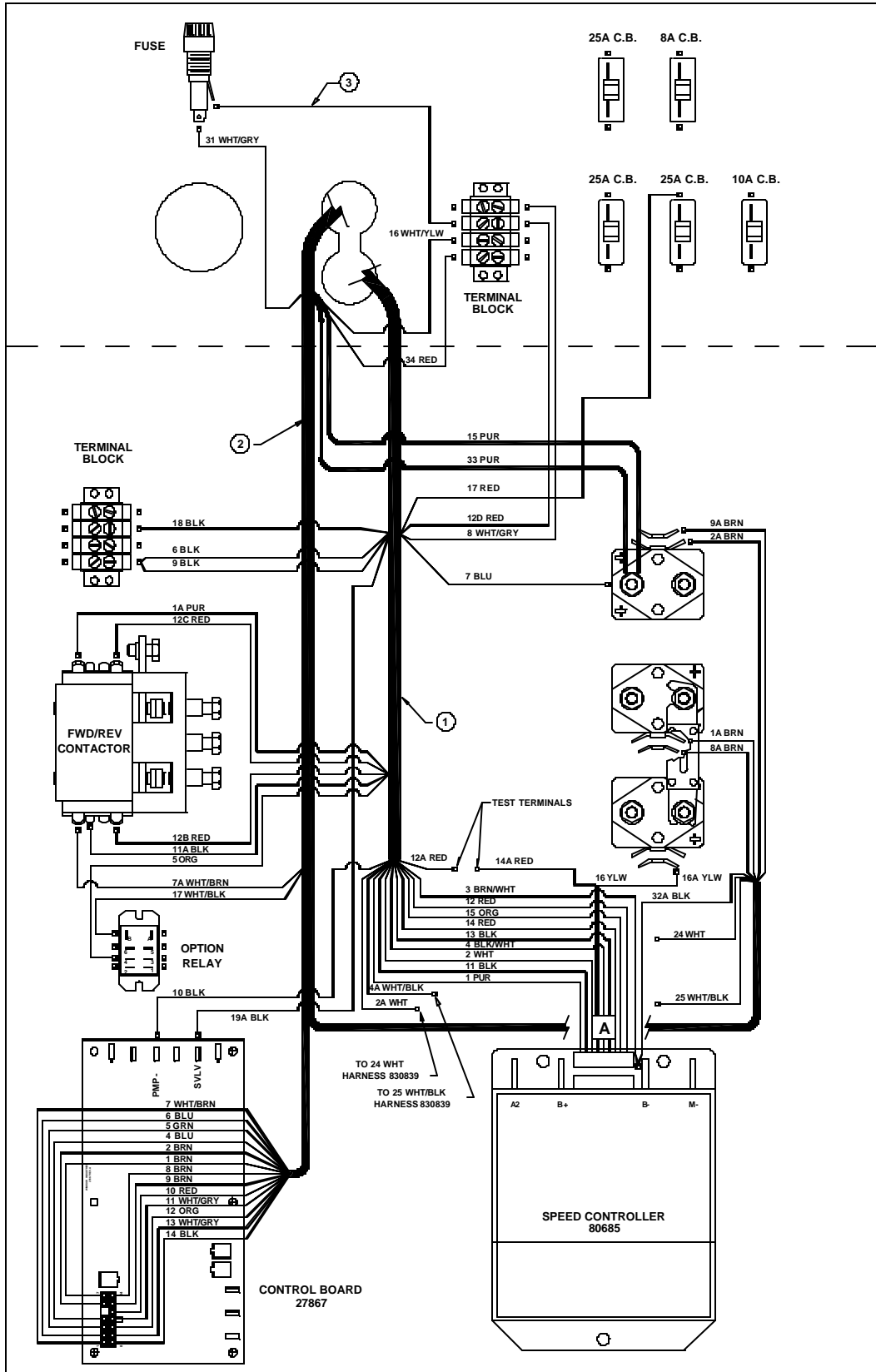
WIRING GROUP - FRONT MAIN/THROTTLE HARNESS - FRONT END



WIRING GROUP - FRONT MAIN/THROTTLE HARNESS - FRONT END

REF	PART NO.	QTY	DESCRIPTION	SERIAL NO. FROM	NOTES:
1	830871	1	HARNESS, FRONT MAIN FLX2		
2	830840	1	HARNESS, THROTTLE FLX2		
3	81367	1	WIRE4X90. 5BK C.TERMXC.TERM		
4	830953	1	CABLE, 4GA BLACK X 84.0"		
5	880267	REF	WIRE ASM., SECONDARY C.B. FLX2		
6	830952	REF	CABLE, 4GA BLACK X 86.0"		
7	830857	REF	CABLE, 4GA BLACK X 78.5"		
8	830956	REF	CABLE, 4GA BLACK X 83.0"		
9	830955	REF	CABLE, 4GA BLACK X 94.5"		
10	830839	REF	HARNESS, TOUCH PAD FLX2		
11	27050	3	CABLE TIE, 3.5"		
12	29199	1	DUCT, 10.5" SPLIT FLEX		

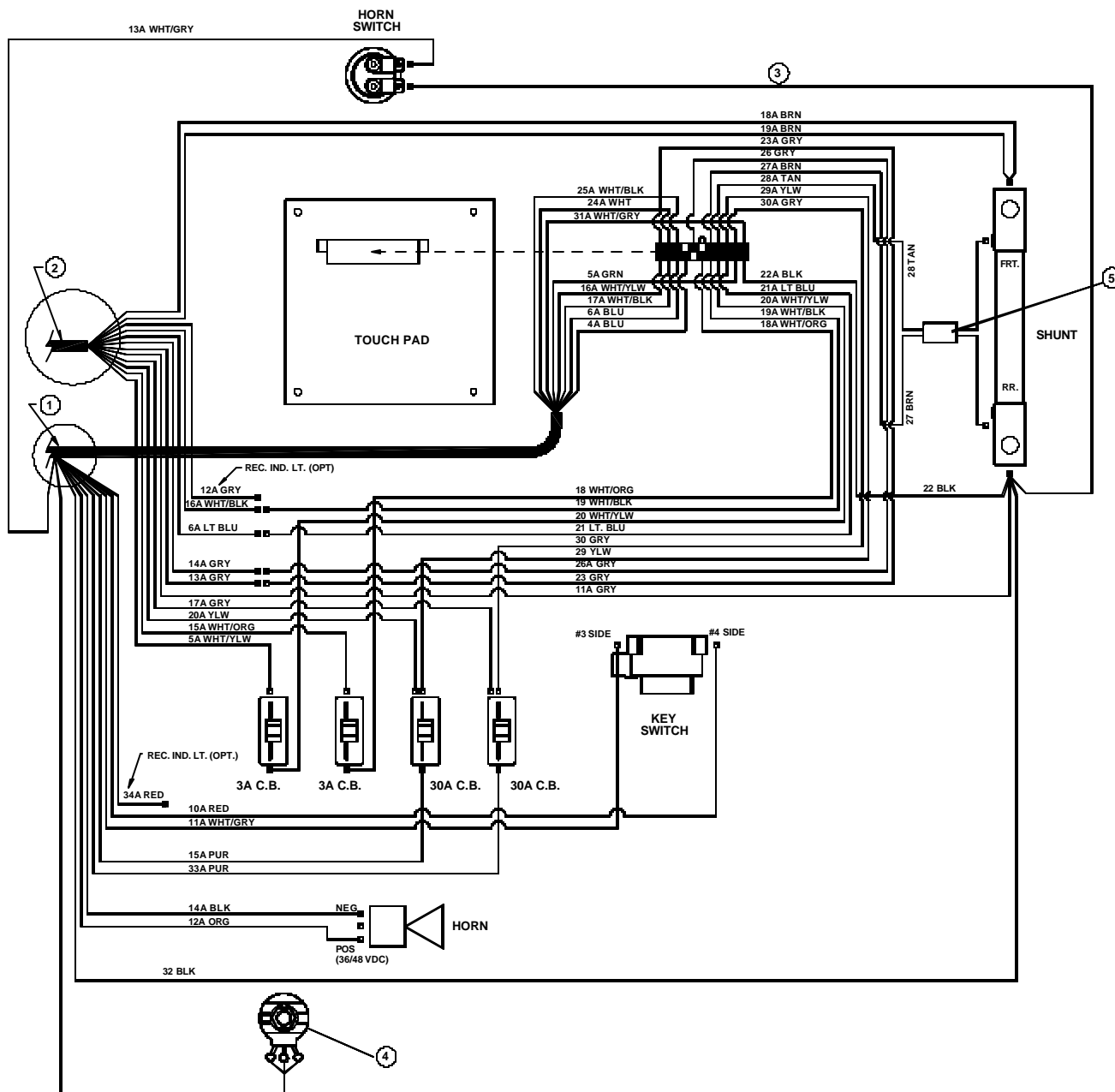
WIRING GROUP - THROTTLE/TOUCH PAD HARNESS - MAIN PANEL



WIRING GROUP - THROTTLE/TOUCH PAD HARNESS - MAIN PANEL

REF	PART NO.	QTY	DESCRIPTION	SERIAL NO. FROM	NOTES:
1	830840	REF	HARNESS, THROTTLE FLX2		
2	830839	1	HARNESS, TOUCH PAD FLX2		
3	880050	1	WIRE, 7" RED/18 76040 x 76040		

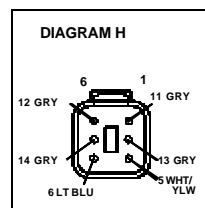
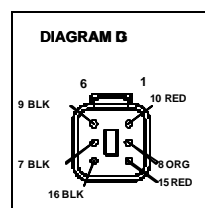
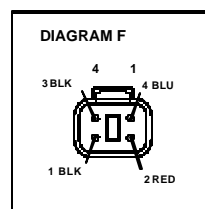
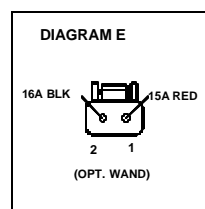
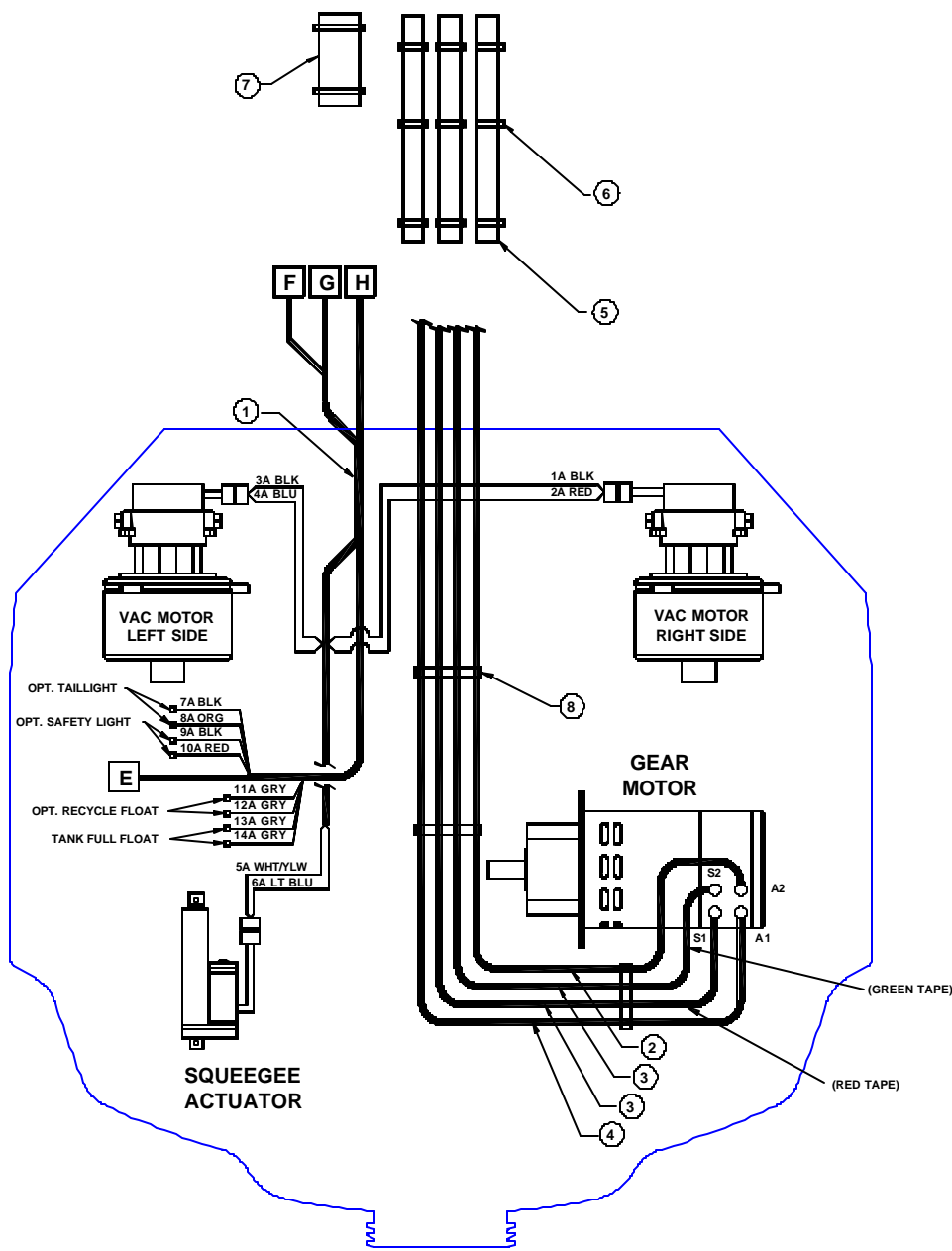
WIRING GROUP - FRONT MAIN/TOUCH PAD PANEL HARNESS



WIRING GROUP - FRONT MAIN/TOUCH PAD PANEL HARNESS

REF	PART NO.	QTY	DESCRIPTION	SERIAL NO. FROM	NOTES:
1	830839	REF	HARNESS, TOUCH PAD FLX2		
2	830871	REF	HARNESS, FRONT MAIN FLX2		
3	880265	1	WIRE, 11" BLK/18 76040 X 76011		
4	880279	REF	WIRE ASM., SOLUTION CONTROL		
5	34376	1	FERRITE, .72 X .70 X 1.28		

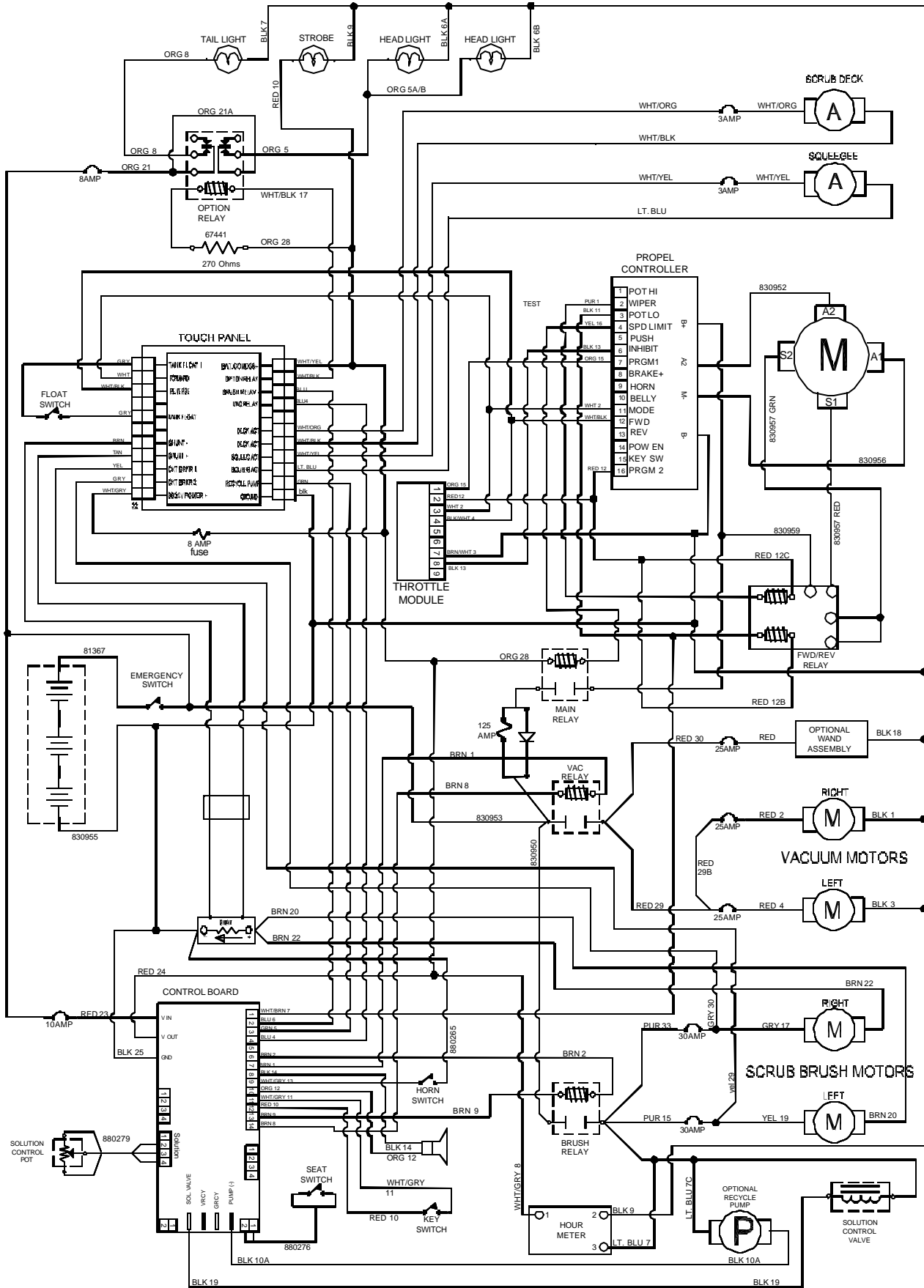
WIRING GROUP - REAR MAIN HARNESS



WIRING GROUP - REAR MAIN HARNESS

REF	PART NO.	QTY	DESCRIPTION	SERIAL NO. FROM	NOTES:
1	830872	1	HARNESS, REAR MAIN FLX2		
2	830952	REF	CABLE, 4GA BLACK X 86.0"		
3	830957	REF	CABLE, 4GA BLACK X 78.5"		
4	830956	REF	CABLE, 4GA BLACK X 83.0"		
5	830965	3	SLEEVE, LOOM 3/4" X 23.0	1000063032	
6	27746	11	CABLE TIE, .19 W X 11.5 L BLK		
7	82910	1	SLEEVE, LOOM 1.25 X 4.0"	1000063032	
8	27049	3	CABLE TIE, 7"	1000063032	

WIRING GROUP-SCHEMATIC



SUGGESTED SPARE PARTS

PART NO.	DESCRIPTION	SERIAL NO.	NOTES:
80687	FUSE 125 A		
73834	SCRUB HEAD SKIRT		
80657	HAIRSPRING PIN (SQUEEGEE)		
81404	FUSE 8A		
82191	HAIRSPRING PIN (SCRUB HEAD)		
-	SQU. FRONT BLADE LINATEX		
-	SQU. REAR BLADE LINATEX		
82488	IGNITION KEY		
53633	VAC MOTOR		
830883	SOLUTION STRAINER		
831041	SQUEEGEE CLAMPING KNOBS		
34140	VAC INTAKE FILTER		
14648	BRUSH SET, 36VDC VAC MOTOR		
14418	BRUSH SET, 36VDC BRUSH MOTOR (DISK)		
830670	CYLINDRICAL BRUSH DRIVE BELT		
81555	CYLINDRICAL SIDE SQUEEGEE		
81632	STEERING CABLE		

NOTES:



Manufacturers of Innovative Building Maintenance Equipment

EC Declaration of Conformity

We herewith declare,

Windsor Industries, Inc.
1351 W. Stanford Ave.
Englewood, CO 80110-5545 USA

that the following product complies with the appropriate essential health and safety requirements of the relevant EC Directives listed below, based on the relevant sections of the applicable EC standards and other normative documents.

Product: Flex II
Product Identification: Rated 36 VDC 90 A

Trademark:



Model/Type Ref.: FLX2

Product Description: This product is a battery powered, self-propelled, wet floor scrubber intended for commercial use.

Applicable EC Directives: EC Machinery Directive
(89/392/EEC & 91/368/EEC & 93/44/EEC & 93/68/EEC)
EC Low Voltage Directive
(73/23/EEC & 93/68/EEC)
EC Directive of Electromagnetic Compatibility
(89/336/EEC & 93/68/EEC)

Applicable Harmonized Standards: EN 60335-1: 1991
EN 60335-2-67: 1992
EN 60335-2-72: 1995
EN 50081-2: 1993
EN 55011: 1998-05
EN 50082-2: 1994
EN 61000-4-2: 1995
EN 61000-4-3: 1996
ENV 50204: 1995

Authorized Signature

Date

Title of Signature: Vice President, Windsor Industries, Inc.

Windsor Industries, Inc.,
1351 West Stanford Avenue,
Englewood, CO 80110 USA
303.762.1800 FAX 303.762.0817

QUEST ... for Continuous Improvement.
Windsor's Quality Management System is Certified ISO 9001.



Manufacturers of Innovative Building Maintenance Equipment

EC Declaration of Conformity

We herewith declare,

Windsor Industries, Inc.
1351 W. Stanford Ave.
Englewood, CO 80110-5545 USA

that the following product complies with the appropriate essential health and safety requirements of the relevant EC Directives listed below, based on the relevant sections of the applicable EC standards and other normative documents.

Product: Flex II Scrub Plus

Product Identification: Rated 36 VDC 90 A

Trademark:



Model/Type Ref.: FLXSP2

Product Description: This product is a battery powered, self-propelled, wet floor scrubber intended for commercial use.

Applicable EC Directives:
EC Machinery Directive
(89/392/EEC & 91/368/EEC & 93/44/EEC & 93/68/EEC)
EC Low Voltage Directive
(73/23/EEC & 93/68/EEC)
EC Directive of Electromagnetic Compatibility
(89/336/EEC & 93/68/EEC)

Applicable Harmonized Standards:
EN 60335-1: 1991
EN 60335-2-67: 1992
EN 60335-2-72: 1995
EN 50081-2: 1993
EN 55011: 1998-05
EN 50082-2: 1994
EN 61000-4-2: 1995
EN 61000-4-3: 1996
ENV 50204: 1995

Authorized Signature

Date

Title of Signature: Vice President, Windsor Industries, Inc.

Windsor Industries, Inc.,
1351 West Stanford Avenue,
Englewood, CO 80110 USA
303.762.1800 FAX 303.762.0817

QUEST ... for Continuous Improvement.
Windsor's Quality Management System is Certified ISO 9001.



WINDSOR INDUSTRIES

New Machine Warranty

Limited Warranty

Windsor Industries, Inc. warrants new machines against defects in material and workmanship under normal use and service to the original purchaser. Any statutory implied warranties, including any warranty of merchantability or fitness for a particular purpose, are expressly limited to the duration of this written warranty. Windsor will not be liable for any other damages, including but not limited to indirect or special consequential damages arising out of or in connection with the furnishing, performance, use or inability to use the machine. This remedy shall be the exclusive remedy of the buyer. The warranty period is subject to the conditions stated below.

6 / 3 / 1 Warranty: 6 Years Polyethylene (PE) Housings, 3 Years Parts, and 1 Year Service Labor

Subject to conditions outlined below, Windsor Industries warrants rotationally molded PE housings and parts on all of its machines to be free from defects in material and workmanship, under normal use and service for six (6) years to the original owner.

Under this warranty we guarantee the performance of non-polyethylene parts and components to be free from defects and for up to three (3) years to the original end user. Parts replaced or repaired under this warranty are guaranteed for the remainder of the original warranty period. (See table below)

Service labor charges are covered for up to one (1) year from the date of purchase through authorized Windsor service provider. No travel coverage is extended for cord-electric models. See table below for each general product model warranty coverage.

Product	PE Housing & Parts	Non- PE Parts	Service Labor	Travel
Rider Scrubbers	6 years	3 years	1 years	6 Months
Rider Sweepers	6 years	1 year	1 years	6 Months
Walk Behind Scrubbers	6 years	3 years	1 years	6 Months
Walk Behind Sweepers	6 years	1 year	1 years	6 Months
Extractors	6 years	3 years	1 years	-
Polishers / Elec. Burnishers / GH	6 years	3 years	1 years	-
Wide Areas Vacuums	6 years	3 years	1 years	-
VacPak Vacuums	6 years	1 year	1 year	-
Air Movers / Dri-matic / TITAN™	1 year	1 year	1 year	-
Propane Burnishers / Strippers	-	2 year	1 year	-
Tracer/Flex Sweepers/Scrubbers	6 years	2 year	6 months	90 days

VERSAMATIC®	Brush motor, Vacuum motor, Belts – 3 years	All other parts – 1 year
SENSOR®	Vacuum motor, Belts – 2 years	All other parts – 1 year

Product exceptions and Exclusions:

- Extractor brush motors, pump motors, **ALL** PC boards and electronics, **ALL** Vacuum motors (other than VERSAMATIC® and SENSOR®), **ALL** pumps, and FLEXSOL™ diaphragms carry a one (1) year parts and service labor warranty.
- The Onan® engines have three (3) year manufacturer’s warranty. The Honda® and Kawasaki® engines have two (2) year manufacturer’s warranty. **NOTE:** The engine warranty is administered through the engine manufacturer and must be repaired at an authorized service center.

Normal wear items and accessories including, but not limited to, belts, brushes, capacitors, carbon brushes, casters, clutches, cords, filters, finishes, gaskets, hoses, light bulbs, rectifiers, switches, squeegees, bearings, pulleys, relays, actuating cables, wheels, tires, propane tanks, and batteries will be warranted for manufacturing defects for 90-days from the purchase date.

The warranty commences on the purchase date by the original end user from an authorized Windsor agent, subject to proof of purchase. The Machine Registration Card must be completed and returned immediately at the time of purchase. If proof of purchase cannot be identified, the warranty start date is 90 days after the date of sale to an authorized Windsor distributor. Parts replaced or repaired under warranty are guaranteed for the remainder of the original warranty period.



WINDSOR INDUSTRIES New Machine Warranty

90 Day Warranty Extension Available

Upon receipt of the Machine Registration Card, Windsor will extend by 90 days, from the date of purchase, all items included under the one-year provision. This applies only to one-year items and does not include 90-day wear items.

This Warranty Shall Not Apply To:

1. Any product that has been subject to abuse, misuse, neglect or unauthorized alteration (including the use of incompatible or corrosive chemicals or overloading of capacity).
2. Products that have experienced shipping or freight damage.
3. Repairs necessary to correct any failure due to improper pre-delivery service and inspection by the selling dealer.
4. Excessive time for cleaning units in preparation for repair.
5. Any repairs resulting from poor initial service work or improper diagnosis.
6. Tune-up parts such as plugs, plug wires and condensers.
7. Any design alterations performed by an organization not authorized or specified by Windsor.
8. Battery and charger warranties are handled directly with the manufacturer (Trojan® batteries and Lester® chargers).
9. High-pressure washing.
10. Electrical components exposed to moisture.

If difficulty develops during the warranty period, contact the authorized Windsor agent from whom the product was purchased. Windsor Industries, Inc. may elect to require the return of components to validate a claim. Any defective part to be returned must be shipped freight prepaid to an authorized Windsor Distributor/Service Center or to the Windsor factory.

Use Of Parts Not Approved By Windsor Industries, Inc. Will Void All Warranties

This warranty is valid only for all products sold after July 1, 1995. A product sold before that date shall be covered by the limited warranty in effect at the date of sale to the original purchaser.