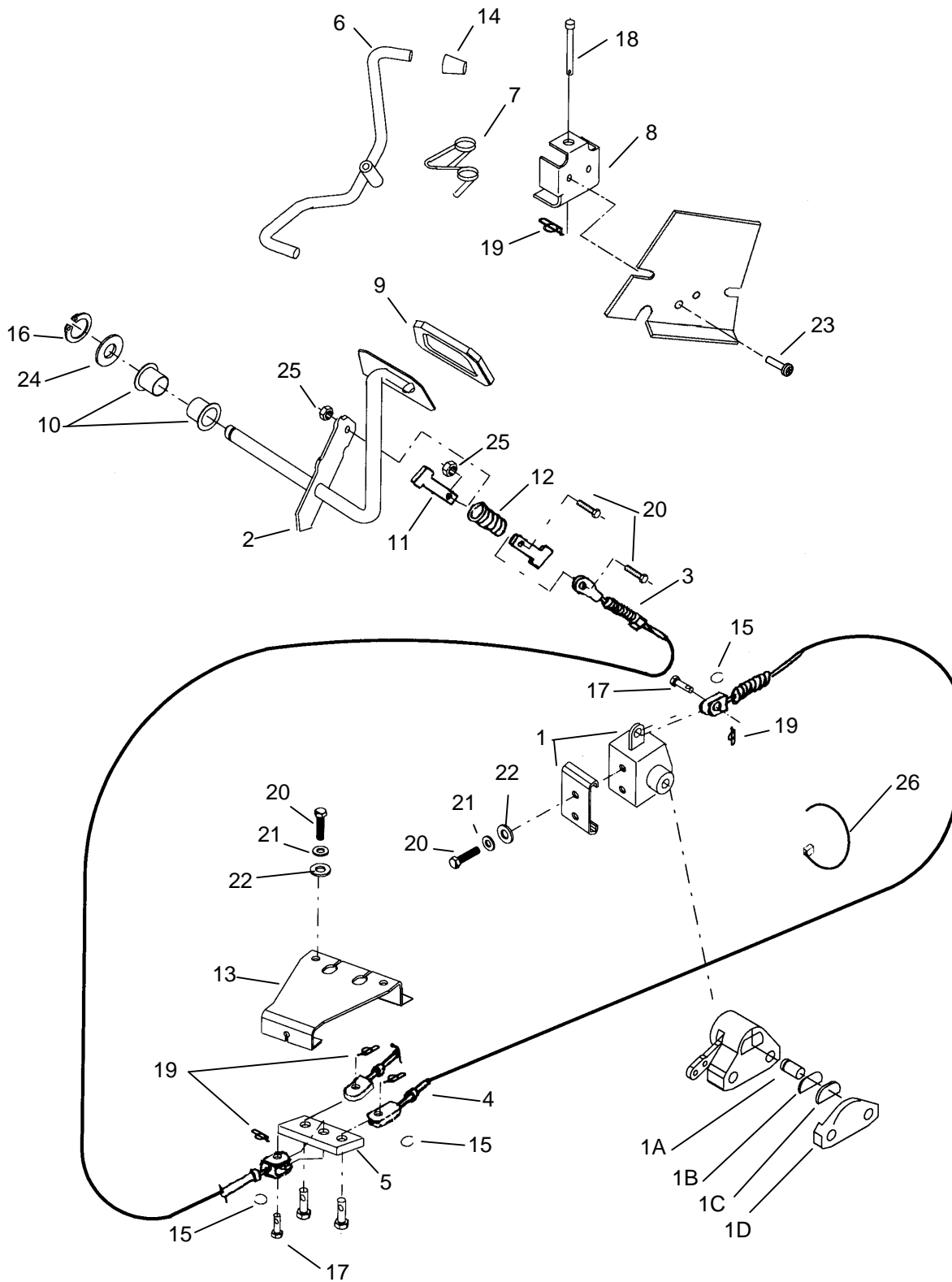


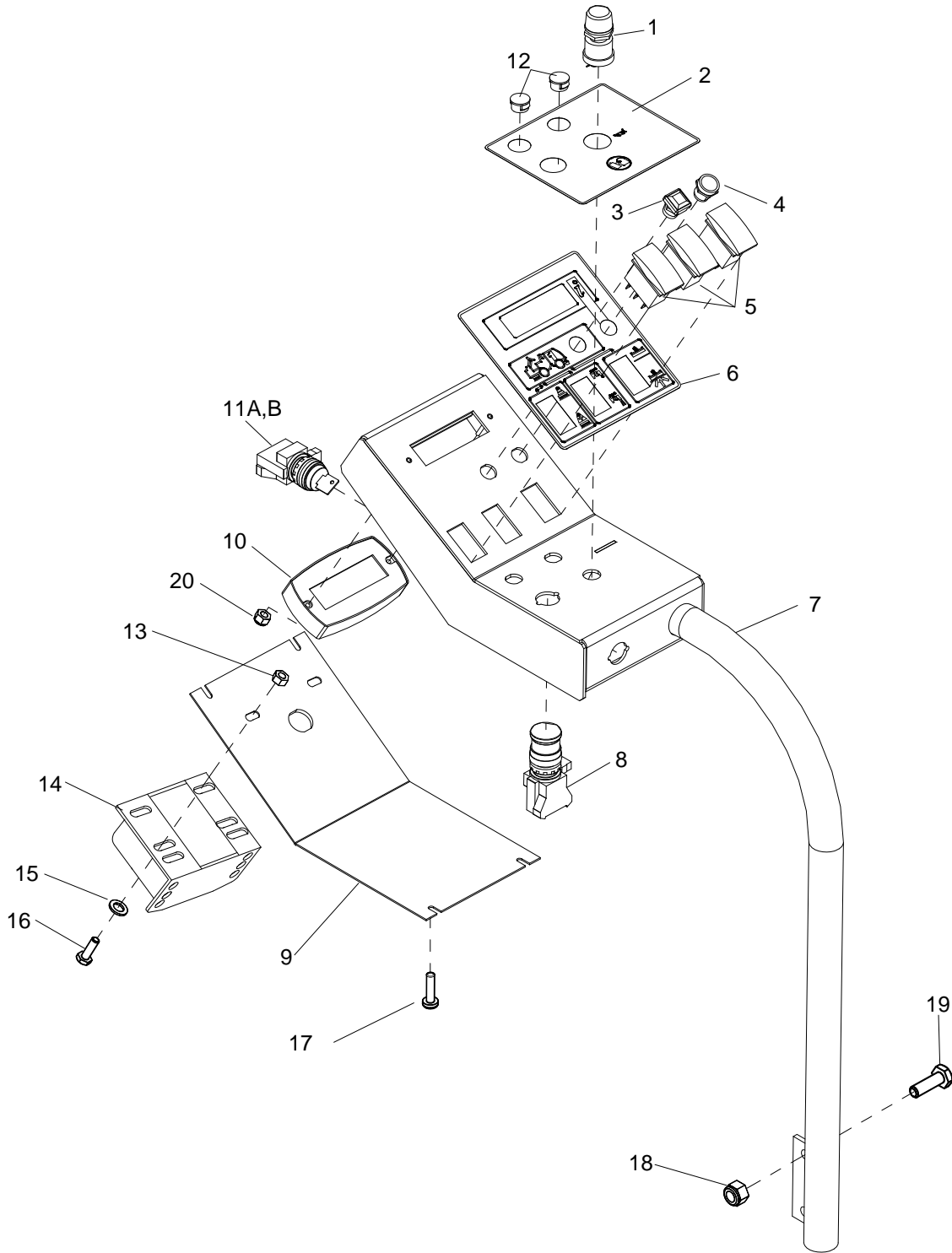
BRAKE



BRAKE

REF	PART NO.	PRV NO.	QTY	DESCRIPTION	SERIAL NO. FROM	NOTES:
1	86073860	81916	2	CALIPER, BRAKE 3 O'CLOCK CW		
1A	86073860	83050	1	CALIPER ACTUATING PIN		SERVICE ONLY
1B	86134940	83051	1	BACKING PLATE, CALIPER		SERVICE ONLY
1C	86135480	83052	1	CALIPER, PUCK		SERVICE ONLY
1D	86010330	83053	1	CALIPER, ANVIL SUB-ASSEMBLY		SERVICE ONLY
2	86095190	81773	1	WELDMENT, BRAKE PEDAL		
3	86009310	81816	1	CABLE, FORWARD BRAKE		
4	86009320	81817	2	CABLE, BRAKE REAR		
5	86067530	81777	1	BAR, EQUALIZER		
6	86095280	81831	1	WELDMENT, PARKING BRAKE		
7	86255480	81946	1	SPRING, TORSION		
8	86074870	81829	1	CHANNEL, PARKING BRAKE MOUNT		
9	86009440	81972	1	PAD, BRAKE PEDAL		
10	86229220	81325	2	BEARING, 1/2 ID X 7/32 L NYLON		
11	86085150	81992	2	PLATE, SPRING RETAINER		
12	86255510	81993	1	SPRING, COMP. .97 D X 1.5 L X .125 W		
13	86075180	830873	1	CHANNEL, CABLE MOUNT		
14	86232200	81997	1	CAP, ROD END, .281ID X .75L PVC		
15	86006410	67381	5	RING, 1/4 CLIP		
16	86272810	67132	1	RING, 1/2 EXT SNAP H-D		
17	86009560	82053	5	PIN, CLEVIS 1/4 X 5/8 PLTD		
18	86249020	82052	1	PIN, CLEVIS 3/16 X 1.5 PLTD		
19	86008650	80604	6	COTTER, 1/4 RING		
20	86273780	70015	8	SCR, 1/4-20 X 3/4 HHCS SS NP		
21	86010780	87162	6	WASHER, 1/4 SPLIT LOCK PLTD		
22	86010630	87013	6	WASHER, 1/4 ID X 5/8 OD SS		
23	86275210	70384	2	SCR, 1/4-20 X 1/2 PHTR BLK DL		
24	86279260	87119	1	WASHER, .53 ID X 1.0 OD X .06 PLTD		
25	86005810	57245	2	NUT, 1/4-20 HEX NYLOCK SS		
26	86264920	27049	3	CABLE TIE, 7" UL/CSA		

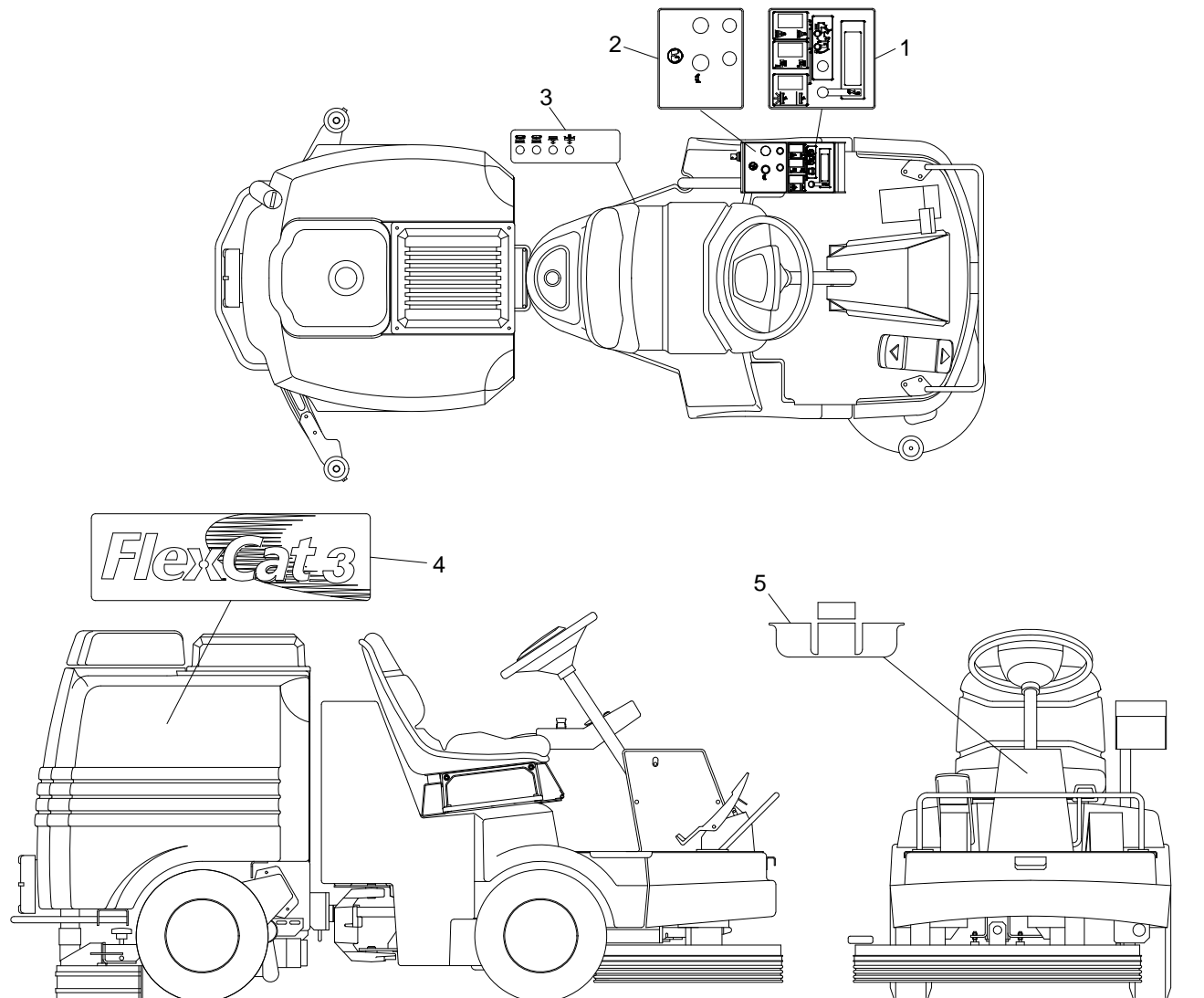
CONTROL PANEL



CONTROL PANEL

REF	PART NO.	PRV NO.	QTY	DESCRIPTION	SERIAL NO. FROM	NOTES:
1	86257280	81371	1	SWITCH, PUSH BUTTON		
2	86243910	500700	REF	LABEL, PANEL LOWER		
3	86007470	730123	1	SWITCH ASM, SEALED PUSH SQ		
4	86007480	730124	1	SWITCH ASM, SEAL PUSHBUTTON		
5	86007520	730142	3	SWITCH, SPDT 3-POSITION MOM		
6	86243900	500699	REF	LABEL, PANEL		
7	86093280	61402	1	PANEL, SWITCH FCAT3		
8	86007180	72160	1	SWITCH, EMERGENCY STOP		
9	86085020	81740	1	PLATE, TOUCH PAD COVER		
10	86005550	54183	1	MODULE, LCD		
11A	86007190	72161	1	SWITCH, KEY TWO POSITION		
11B	86004860	48073	REF	KEY, SWITCH		SERVICE ONLY
12	86250190	66365	2	PLUG, DD .625-.550		
13	86005810	57245	2	NUT, 1/4-20 HEX NYLOCK SS		
14	86290670	-	1	HORN, HIGH DECIBEL 12-48V		
15	86010630	87013	2	WASHER, 1/4 ID X 5/8 OD SS		
16	86273780	70015	2	SCR, 1/4-20 X 3/4 HHCS SS NP		
17	86274070	70086	2	SCR, 10-24 X 1/2 PPHMS SS		
18	86270880	57032	2	NUT, 3/8-16 SERRATED FLG		
19	86276920	70755	2	SCR, 3/8-16 X 1 HHCS SS NP		
20	86270920	57049	2	NUT, 6-32 HEX NYLOCK SS		

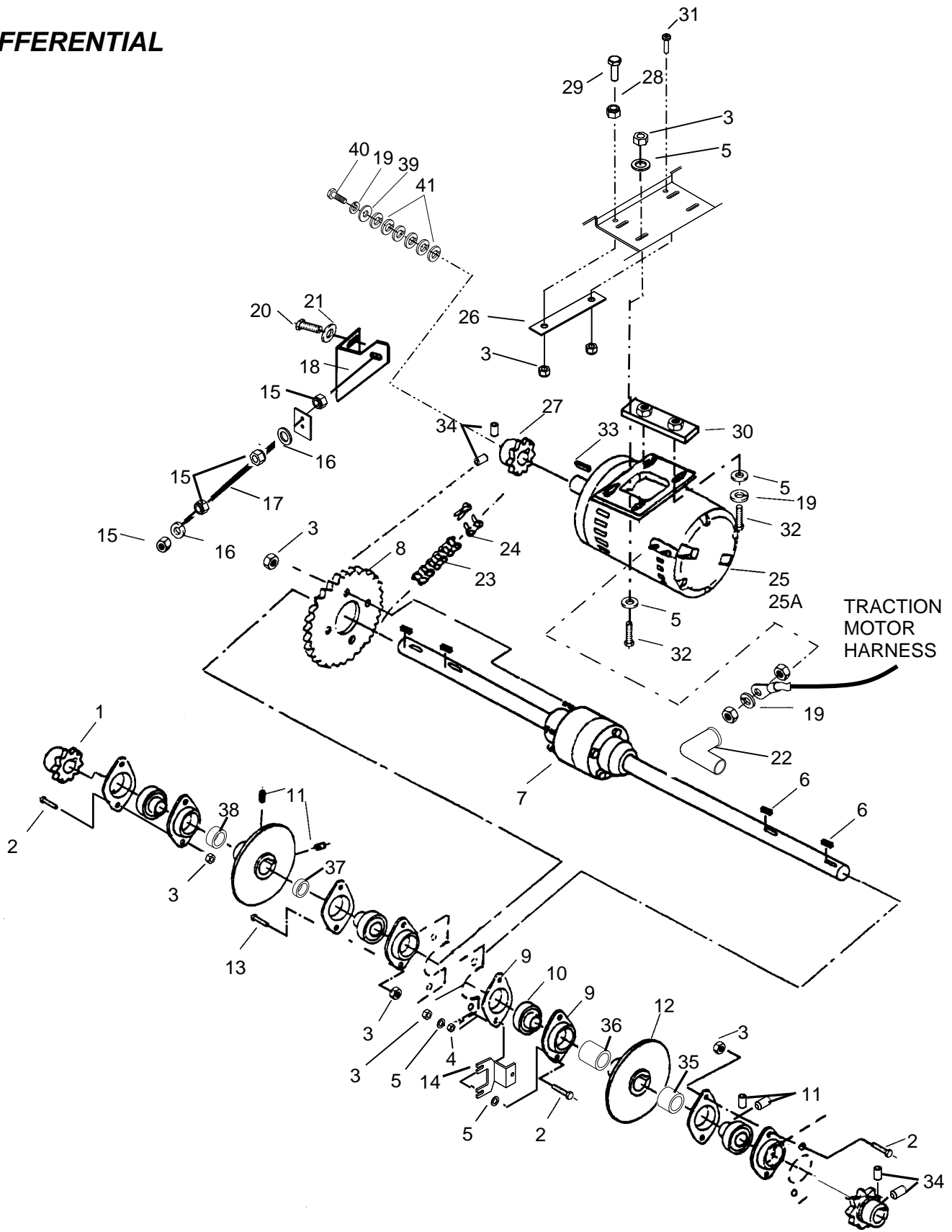
DECAL



REF	PART NO.	PRV NO.	QTY	DESCRIPTION	SERIAL NO. FROM	NOTES:
1	86293900	500699	1	LABEL, PANEL		
2	86243910	500700	1	LABEL, PANEL LOWER		
3	86243920	500701	1	LABEL, CIRCUIT BREAKER		
4	86243940	500703	2	LABEL, SIDE FLEXCAT3		
5	86245100	50353	1	LABEL, WINDSOR LOGO		

NOTE: SEE "SAFETY LABEL LOCATION" PAGE FOR SAFETY LABEL INFORMATION.

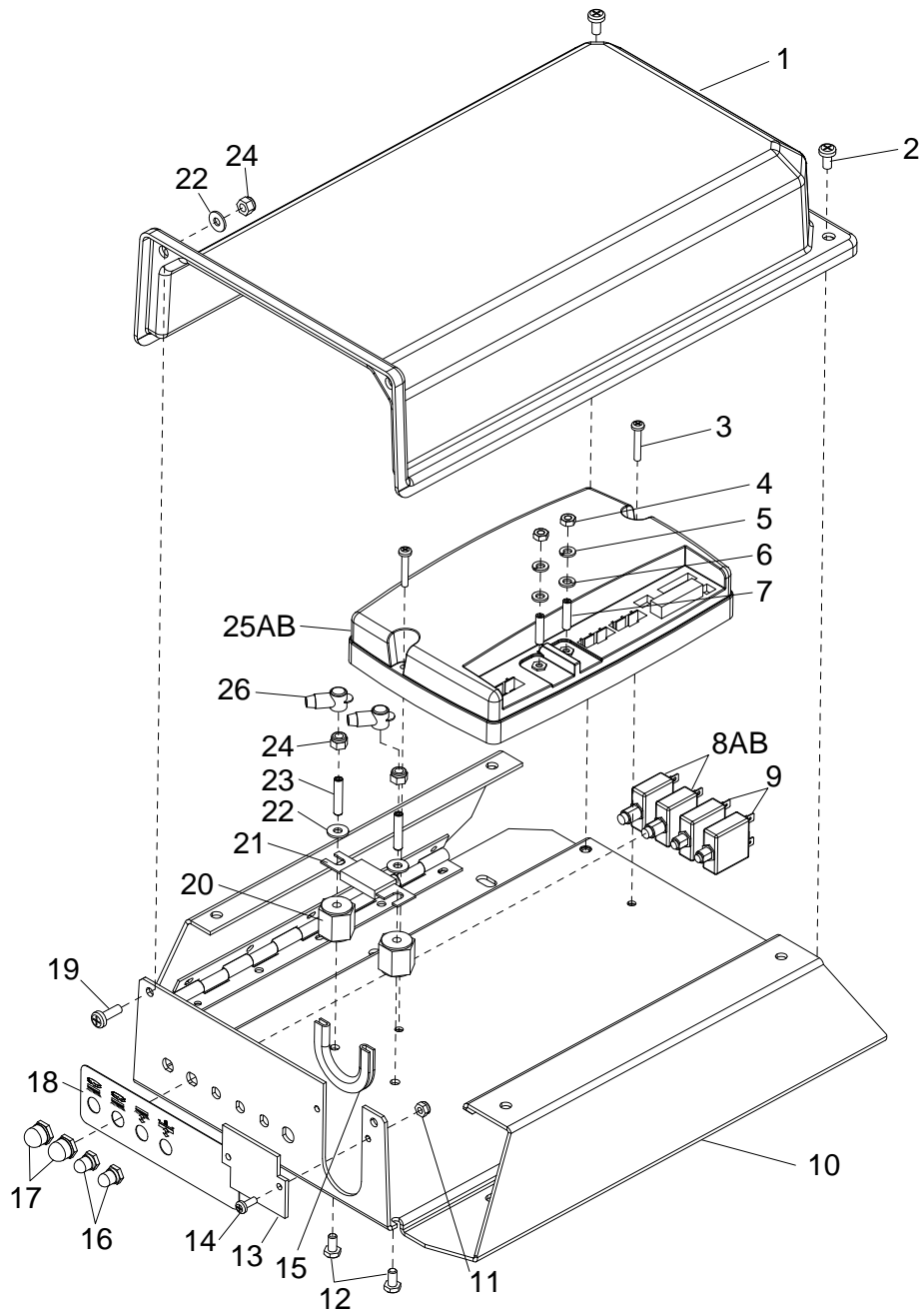
DIFFERENTIAL



DIFFERENTIAL

REF	PART NO.	PRV NO.	QTY	DESCRIPTION	SERIAL NO. FROM	NOTES:
1	86008590	80592	2	SPROCKET, #40 1/2"P 11T 3/4"B		
2	86007020	70673	6	SCR, 5/16-18 X 1.25 HHCS SS		
3	86270830	57023	16	NUT, 5/16-18 HEX NYLOCK SS		
4	86271170	57138	2	NUT, 5/16-18 JAM		
5	86010760	87142	10	WASHER, .344 X .69 X .066 FLAT PLT		
6	86004820	48041	4	KEY, 3/16 SQ. X 7/8 CRS		
7	86009250	81602	1	DIFFERENTIAL, FLEX		
8	86008420	80004	1	SPROCKET, #40 1/2"P 36T		
9	86008610	80595	8	FLANGE, BEARING PRESS STEEL		
10	86001030	09148	4	BEARING, BALL 3/4 BORE SPHERED		
11	86277940	70126	12	SET SCR, 1/4-28 X 1/4 KCP		
12	86008640	80602	2	DISC, BRAKE		
13	86276780	70728	2	SCR, 5/16-18 X 3/4 HHCS SS		
14	86085160	82026	1	PLATE, GUARD, HARNESS		
15	86271270	57161	4	NUT, 1/2-13 JAM		
16	86279260	87119	4	WASHER, .53 ID X 1.0 D X.060 PLTD		
17	86086700	81896	1	ROD, MOTOR ADJUST		
18	86065560	81893	1	ANGLE, MOTOR POSITION		
19	86279130	87083	3	WASHER, 5/16 SPLIT LOCK PLTD		
20	86276970	70774	2	SCR, 3/8-16 X 3/4 HHCS SS		
21	86010790	87163	2	WASHER, 3/8 SPLIT LOCK		
22	86008920	80889	2	BOOT, RUBBER TERM ISOLATOR		
23	86008570	80587	1	CHAIN, #40 1/2" PTCH X 56 LAMBDA		
24	86002980	27743	1	CHAIN, #40 1/2" PTCH LAMBDA M. LINK		
25	86005480	53806	1	MOTOR, 36VDC 2HP 1750RPM		
25A	86135290	140649	REF	BRUSH SET, OHIO MOTOR 53806		SERVICE ONLY
26	86067580	81889	1	BAR, MOTOR LOCATOR		
27	86008560	80585	1	SPROCKET, #40 1/2"P 18T 7/8"B		
28	86005650	57031	1	NUT, 5/16-18 HEX		
29	86274900	70320	1	SCR, 5/16-18 X 2"		
30	86067600	81894	1	BAR, MOTOR RETAINER		
31	86006930	70514	1	SCR, 5/16-18 X 1.00 STHMS		
32	86005650	70083	4	SCR, 5/16-18 X 1" HHCS SS NP		
33	86004840	48061	1	KEY, 3/16 X 3/16 X 1.25"L CRS		
34	86006610	70124	6	SETSCR, 1/4-20 X 1/4 SH KCP		
35	86087300	730217	1	SPACER, 7/8 OD X .049W X 1.33		
36	86087310	730218	1	SPACER, 7/8 OD X .049W X 1.92		
37	86087320	730219	1	SPACER, 7/8 OD X .049W X .51		
38	86087330	730220	1	SPACER, 7/8 OD X .049W X .76		
39	86279630	87212	1	WASHER, .344 ID X 1.13OD X .09T		
40	86276490	70670	1	SCR, 5/16-18 X 5/8 HHCS SS		
41	86090310	87250	6	WASHER, DRIVE MOTOR SHIM	1000135884	

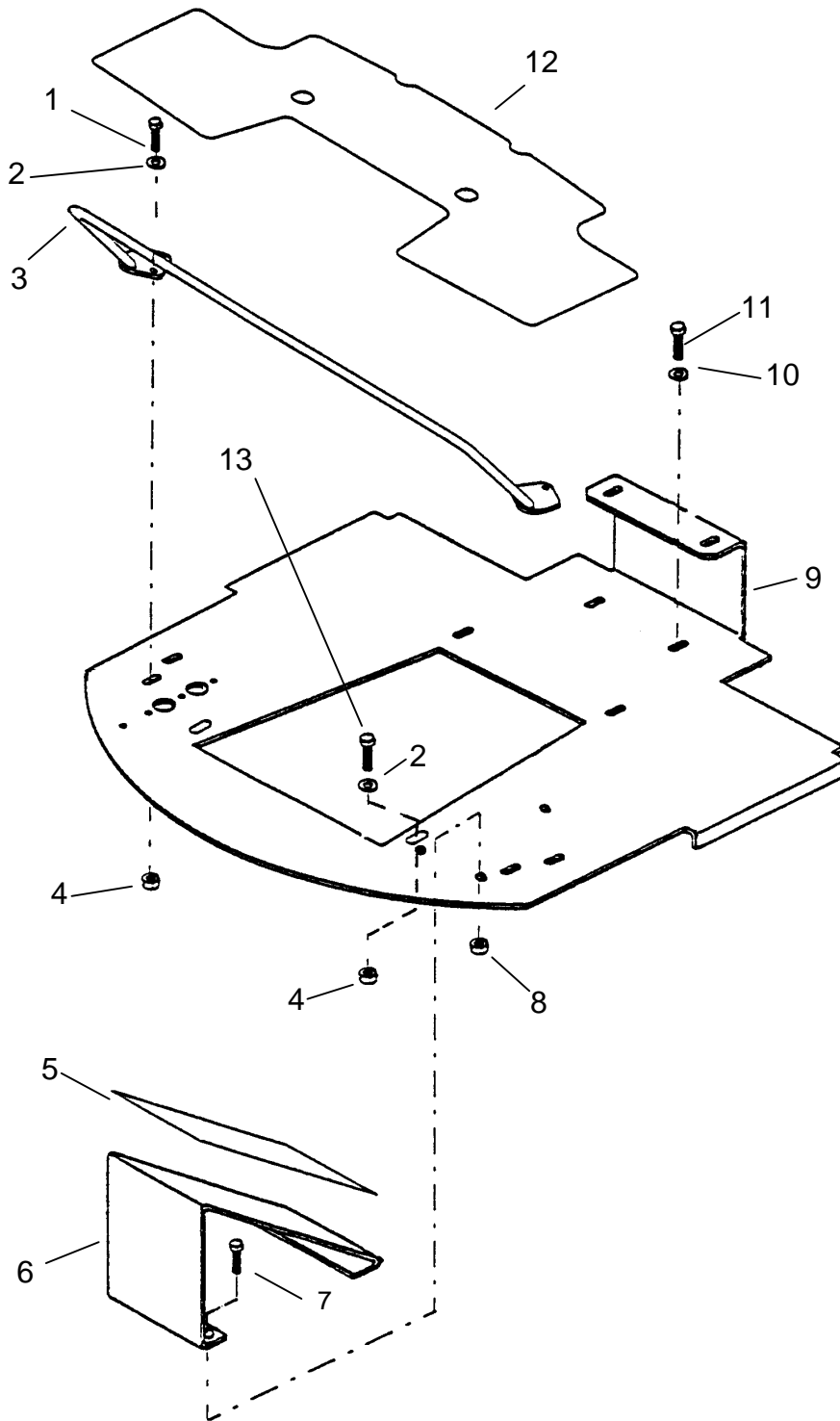
ELECTRICAL



ELECTRICAL

REF	PART NO.	PRV NO.	QTY	DESCRIPTION	SERIAL NO. FROM	NOTES:
1	86063990	830874	1	COVER, ELECTRONICS		
2	86006580	70085	2	SCR, 1/4-20 X 1/2 PPHMS SS DL		
3	86276240	70614	2	SCR, 10-32 X 1-1/8 PPHMS SS		
4	86136270	57053	2	NUT, M6 HEX ZINC PLATED		
5	86279140	87085	2	WASHER, M6 SPLIT LOCK DIN127B		
6	86279070	87056	2	WASHER, M6 FLAT		
7	86253200	70806	2	SET SCR, M6 X 25 NP		
8A	86001960	14688	2	BREAKER, 35A 50VDC CIRCUIT		FLEXCAT ONLY
8B	86001910	14606	2	BREAKER, 30A 50VDC CIRCUIT		FLEXCATSP ONLY
9	86001450	140541	2	BREAKER, 2A 250VAC 50VDC		
10	86094010	730215	1	SEAT, MOUNT ASM		
11	86270990	57090	2	NUT, 10-32 HEX NYLOCK SS		
12	86273830	70020	2	SCR, 1/4-20 X 1/2 HHCS SS NP		
13	86075370	270003	1	COVER, WIRE ACCESS		
14	86006950	70532	2	SCR, 10-32 X 1/2 PPHMS BLK NP		
15	86279940	80795	1	EDGING, 1/8" X 4.0" LONG		
16	86002010	14942	2	BOOT, 3/8 CIRCUIT BREAKER		
17	86008900	80845	2	BOOT, SEAL PUSH-BUTTON 7/16-28		
18	86243920	500701	REF	LABEL, CIRCUIT BREAKER		
19	86276100	70597	2	SCR, 1/4-20 X 3/4 PPHMS BLK		
20	86255910	73659	2	STANDOFF, 1/4-20 X 1.0 HEX INS		
21	86236980	34345	1	FUSE, 200 AMP		
22	86010630	87013	4	WASHER, 1/4 ID X 5/8 OD SS		
23	86006850	70393	2	SET SCR, 1/4-20 X 1.25L		
24	86005810	57245	4	NUT, 1/4-20 HEX NYLOCK SS		
25A	86002690	270073	1	CONTROLLER, FLEX3		FLEXCAT3 ONLY
25B	86002700	270074	1	CONTROLLER, FLEX 3 SP		FLEXCATSP ONLY
26	86008920	80889	2	BOOT, RUBBER TERM. ISOLATOR		

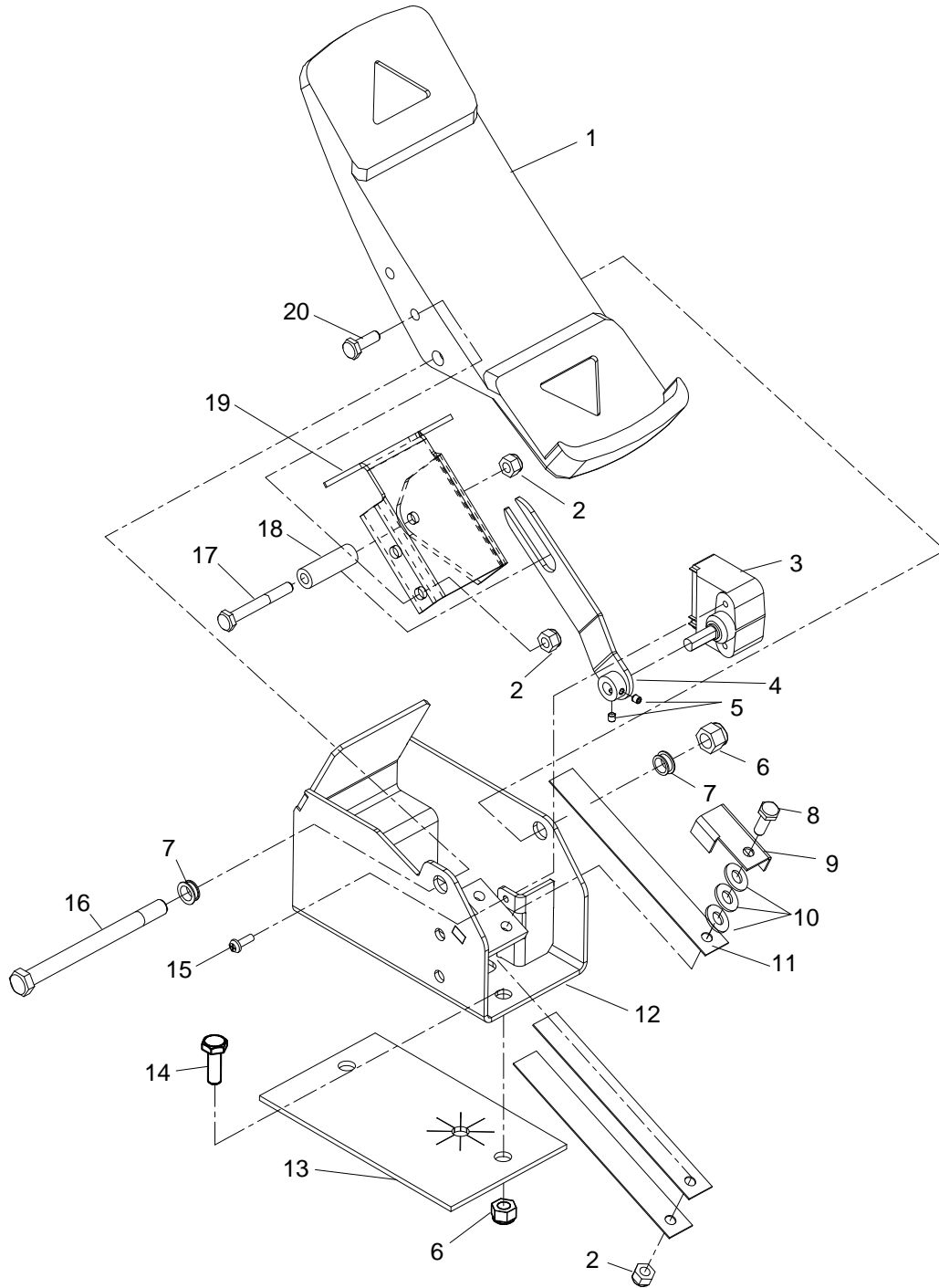
FLOOR



FLOOR

REF	PART NO.	PRV NO.	QTY	DESCRIPTION	SERIAL NO. FROM	NOTES:
1	86275190	70377	4	SCR,3/8-16 X 1.25 HHMS SS		
2	86010770	87143	6	WASHER, 7/16 ID X 1 OD X .08 FL		
3	86095290	81974	1	WELDMENT, GUARD		
4	86271930	57297	6	NUT, 3/8-16 HEX NYLOCK SS		
5	86248450	81870	1	PAD, FOOT REST		
6	86085120	81826	1	PLATE, FOOT		
7	86273780	70015	3	SCR, 1/4-20 X 3/4 HHCS SS NP		
8	86005810	57245	3	NUT, 1/4-20 HEX NYLOCK SS		
9	86085380	82388	1	PLATE, FLOOR		
10	86278910	87003	4	WASHER, 3/8 ID X 7/8 OD SS		
11	86275840	70550	4	SCR, 3/8-16 X 2.5 HHCS GR5 PLTD		
12	86248470	82394	1	PAD, FLOOR		
13	86276920	70755	2	SCR, 3/8-16 X 1 HHCS SS NP		

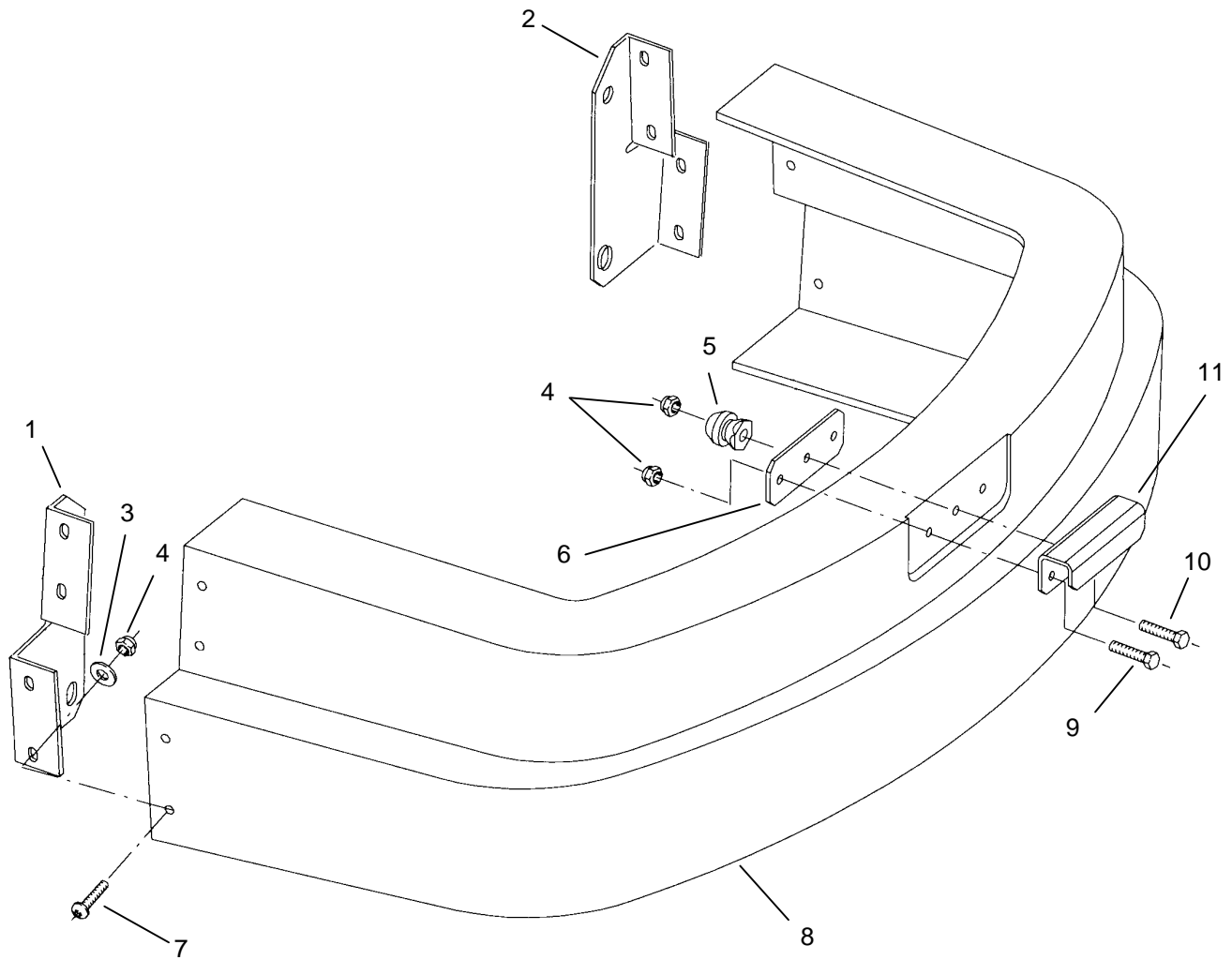
FORWARD/REVERSE PEDAL



FORWARD/REVERSE PEDAL

REF	PART NO.	PRV NO.	QTY	DESCRIPTION	SERIAL NO. FROM	NOTES:
1	86248720	80259	1	PEDAL, FWD/REV		
2	86005810	57245	4	NUT, 1/4-20 HEX NYLOCK SS		
3	86006330	66343	1	POTENTIOMETER, THROTTLE		
4	86005210	51388	1	LINK, THROTTLE		
5	86278060	70759	2	SET SCR, M4 X 4MM NP		
6	86271930	57297	3	NUT, 3/8-16 HEX NYLOCK SS		
7	86228750	09082	2	BEARING, 3/8 FLANGED NYL		
8	86273810	70018	1	SCR, 1/4-20 X 1 HHCS SS		
9	86010300	830117	1	BRKT, SPRING ALIGNMENT		
10	86010300	87013	3	WASHER, 1/4 ID X 5/8 OD SS		
11	86010290	830116	3	SPRING, FLAT		
12	86093370	66397	1	PEDAL, BASE MOUNT		
13	86067610	81879	1	PAD, PEDAL MOUNT		
14	86006740	70266	2	SCR, 3/8-16 X 1" HHCS GR5 PLTD DL		
15	86276930	70757	2	SCR, 8 X 1/2 PPH TYPE B SMS ZP		
16	86275510	70494	1	SCR, 3/8-16 X 4.5" HHCS GR5		
17	86273850	70022	1	SCR, 1/4-20 X 2 HHCS SS		
18	86007380	730088	1	SPACER, .5 OD X .26 ID X 1.5L		
19	86082980	66396	1	PLATE, PEDAL		
20	86273780	70015	2	SCR, 1/4-20 X 3/4 HHCS SS NP		

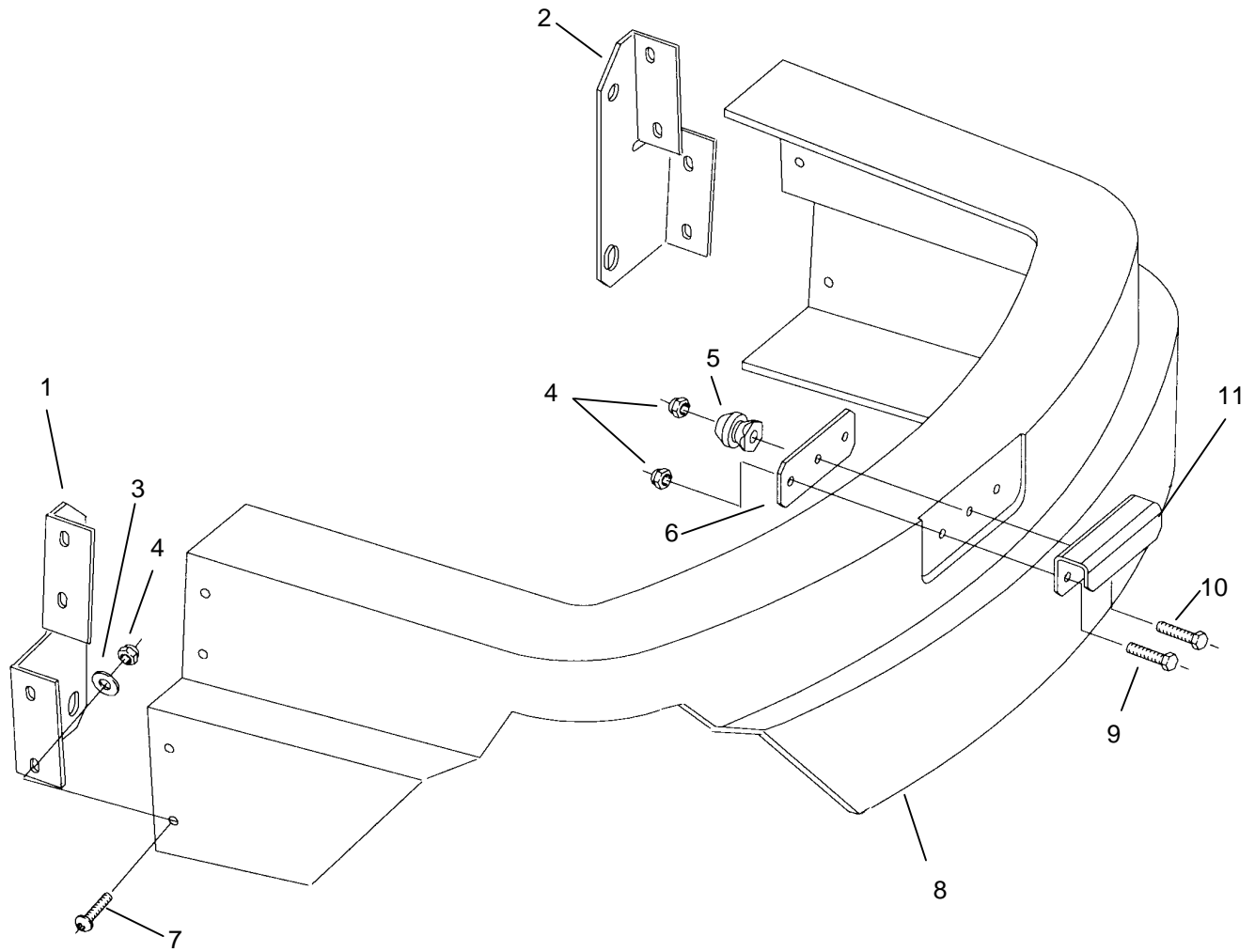
FRONT BUMPER - DISK



FRONT BUMPER - DISK

REF	PART NO.	PRV NO.	QTY	DESCRIPTION	SERIAL NO. FROM	NOTES:
1	86077980	81640	1	MOUNT, BUMPER RIGHT		
2	86077970	81639	1	MOUNT, BUMPER LEFT		
3	86010630	87013	8	WASHER, 1/4 ID X 5/8 OD SS		
4	86005810	57245	11	NUT, 1/4-20 HEX NYLOCK SS		
5	86246150	51215	1	LATCH, MALE BLK 1/4" HD		
6	86084720	81642	1	PLATE, HANDLE		
7	86276100	70597	8	SCR, 1/4-20 X 3/4 PPHMS B		
8	86063260	82475	1	BUMPER		
9	86273780	70015	2	SCR, 1/4-20 X 3/4 HHCS SS NP		
10	86273820	70019	1	SCR, 1/4-20 X 1.25 HHCS SS		
11	86076660	81641	1	HANDLE, BUMPER		

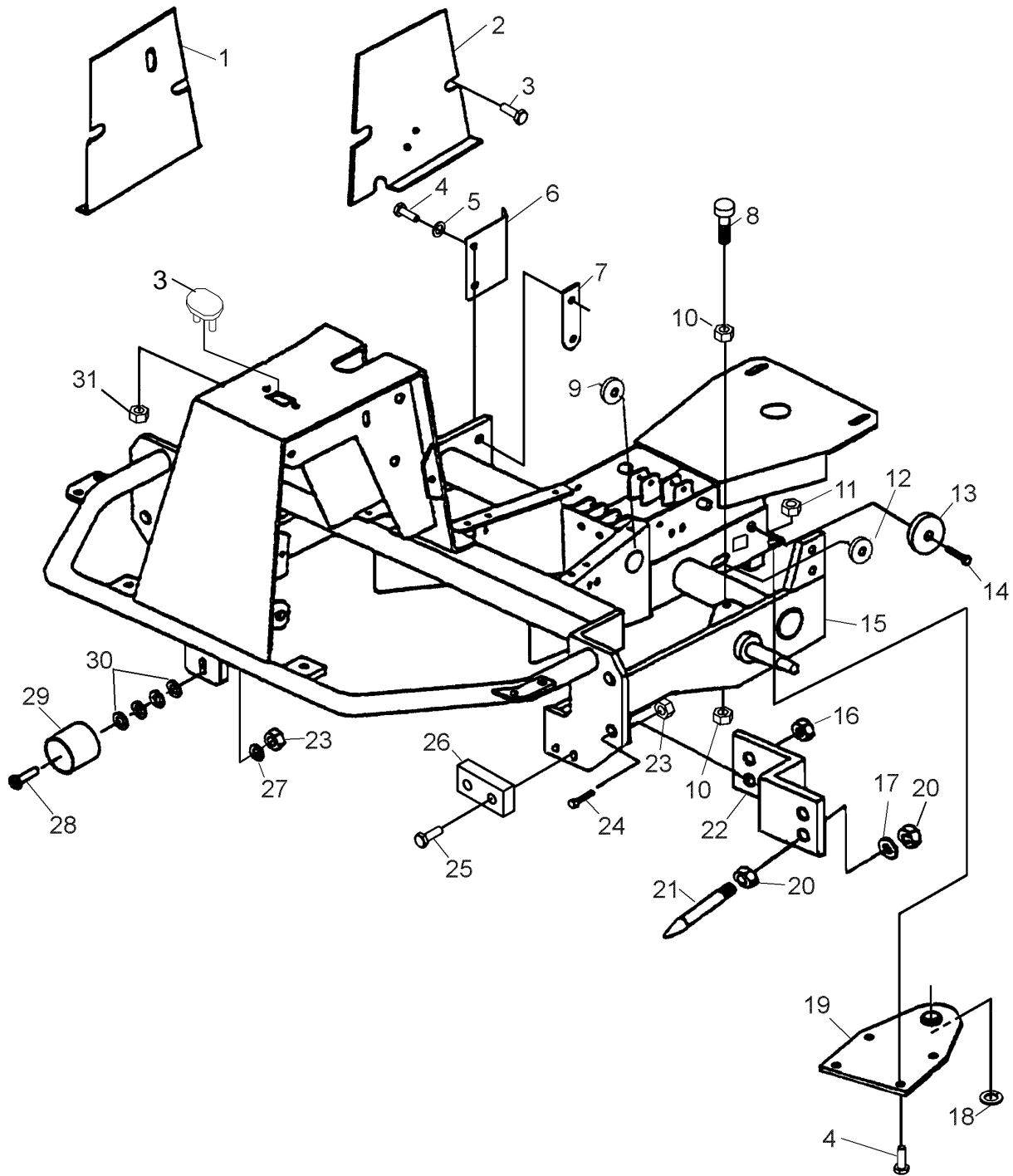
FRONT BUMPER - CYLINDRICAL



FRONT BUMPER - CYLINDRICAL

REF	PART NO.	PRV NO.	QTY	DESCRIPTION	SERIAL NO. FROM	NOTES:
1	86077980	81640	1	MOUNT, BUMPER RIGHT		
2	86077970	81639	1	MOUNT, BUMPER LEFT		
3	86010630	87013	8	WASHER, 1/4 ID X 5/8 OD SS		
4	86005810	57245	11	NUT, 1/4-20 HEX NYLOCK SS		
5	86246150	51215	1	LATCH, MALE BLK 1/4" HD		
6	86084720	81642	1	PLATE, HANDLE		
7	86276100	70597	8	SCR, 1/4-20 X 3/4 PPHMS B		
8	86063270	82904	1	BUMPER, FRONT		
9	86273780	70015	2	SCR, 1/4-20 X 3/4 HHCS SS NP		
10	86273820	70019	1	SCR, 1/4-20 X 1.25 HHCS SS		
11	86076660	81641	1	HANDLE, BUMPER		

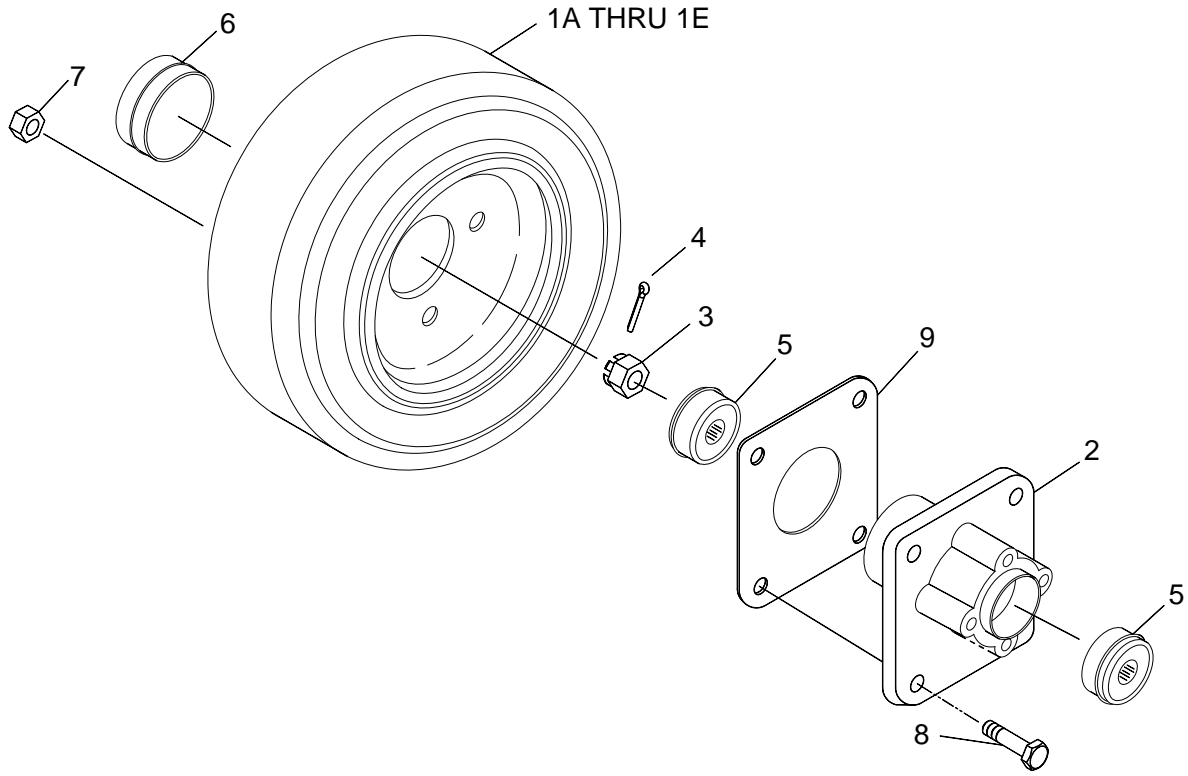
FRONT FRAME



FRONT FRAME

REF	PART NO.	PRV NO.	QTY	DESCRIPTION	SERIAL NO. FROM	NOTES:
1	86085060	81787	1	PLATE, COVER RT		
2	86009290	81788	1	PLATE, COVER LT		
3	86275210	70384	4	SCR, 1/4-20 X 1/2 PHTR BLK DL		
4	86276920	70755	6	SCR, 3/8-16 X 1" HHCS SS NP		
5	86279110	87075	2	WASHER, 3/8 ID INT. LOCK		
6	86085350	82263	1	PLATE, DRAIN HOSE GUARD		
7	86067710	82330	1	BAR, TAPPED		
8	86008740	80654	4	BUMPER, ADJUSTMENT		
9	86238500	81427	1	GROMMET, 1.703 ID X 2.5 OD X .125		
10	86005650	57031	8	NUT, 5/16-18 HEX		
11	86271930	57297	4	NUT, 3/8-16 HEX NYLOCK SS		
12	86238440	36232	1	GROMMET, 2.00ID X 2.75OD X .19 L		
13	86085760	82905	2	PLATE, SPACER		
14	86277040	70781	2	SCR, 5/16-18 X 1/2 HHCS SS NP		
15	86092470	34406	1	FRAME, FRONT FCAT3		
16	86271090	57118	4	NUT, 1/2-13 HEX NYLOCK		
17	86279460	87164	4	WASHER, 1/2 SPLIT LOCK PLTD		
18	86272880	67270	1	RING, 1.0 EXT. SNAP HD		
19	86095110	81672	1	WELDMENT, PIVOT PLATE		
20	86271740	57249	8	NUT, 1/2-13 JAM		
21	86249010	81663	4	PIN, BUMPER		
22	86085740	82893	2	PLATE, EXTENSION		
23	86005810	57245	5	NUT, 1/4-20 HEX NYLOCK SS		1 FOR CYL SCRUB ONLY
24	86275010	70340	4	SCR, 1/2-13 X 1.25 HHCS GR5 NP		
25	86273820	70019	4	SCR, 1/4-20 X 1.25 HHCS SS		DISK SCRUB HEAD ONLY
26	86229890	81028	2	BLOCK, SLIDE		DISK SCRUB HEAD ONLY
27	86010630	87013	1	WASHER, 1/4 ID X 5/8 OD SS		
28	86275350	70439	1	SCR, 1/4-20 X 1.5 SHCS BLK ZNC		
29	86246140	51214	1	LATCH, FEMALE 6.5 LB PULL BLU		
30	86226910	80819	4	WASHER, .31 ID X 1.175 D X 1/8 NYL		
31	86270850	57026	2	NUT, 8-32 HEX NYLOCK SS		
32	86083000	66400	1	PLATE, METER COVER		

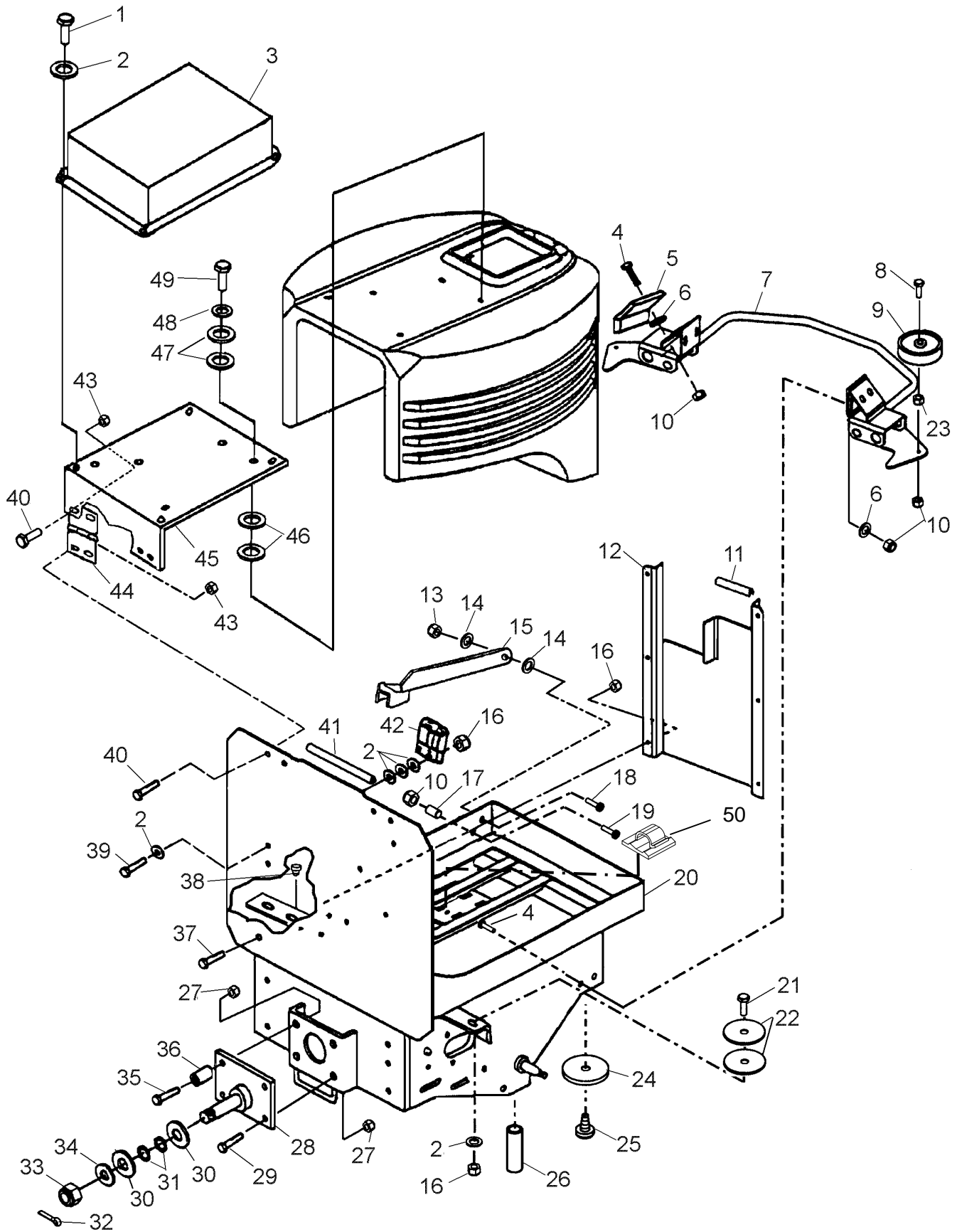
FRONT WHEEL



FRONT WHEEL

REF	PART NO.	PRV NO.	QTY	DESCRIPTION	SERIAL NO. FROM	NOTES:
1A	86010360	830755	2	WHEEL ASM, FOAM FILLED BLK KNOBBY		
1B	86008600	80593	REF	TIRE/RIM ASM, PNEUMATIC		
1C	86010060	82706	REF	WHEEL ASM, PNEU. BLACK KNOBBY		
1D	86090630	82983	REF	WHEEL 16" GRY RMFL N-MARKING KNB		
1E	86259630	82707	REF	WHEEL ASM, PNEU. N-MARK K		
2	86241130	80002	2	HUB, DRIVE WHEEL		
3	86272060	80598	2	NUT, 3/4-16 SLOTTED GR 2		
4	86272440	66243	2	PIN, COTTER 1/8 ID X 1.5 L		
5	86000950	09071	4	BEARING, .9843 ID X 2.0472 OD		
6	86241180	80596	2	HUB CAP, GREASE CAP ZINC PL		
7	86008620	80597	8	NUT, LUG WHEEL 12MM-1.25		
8	86226890	80599	8	STUD, WHEEL		
9	86080640	62566	2	PLATE, WHEEL HUB		

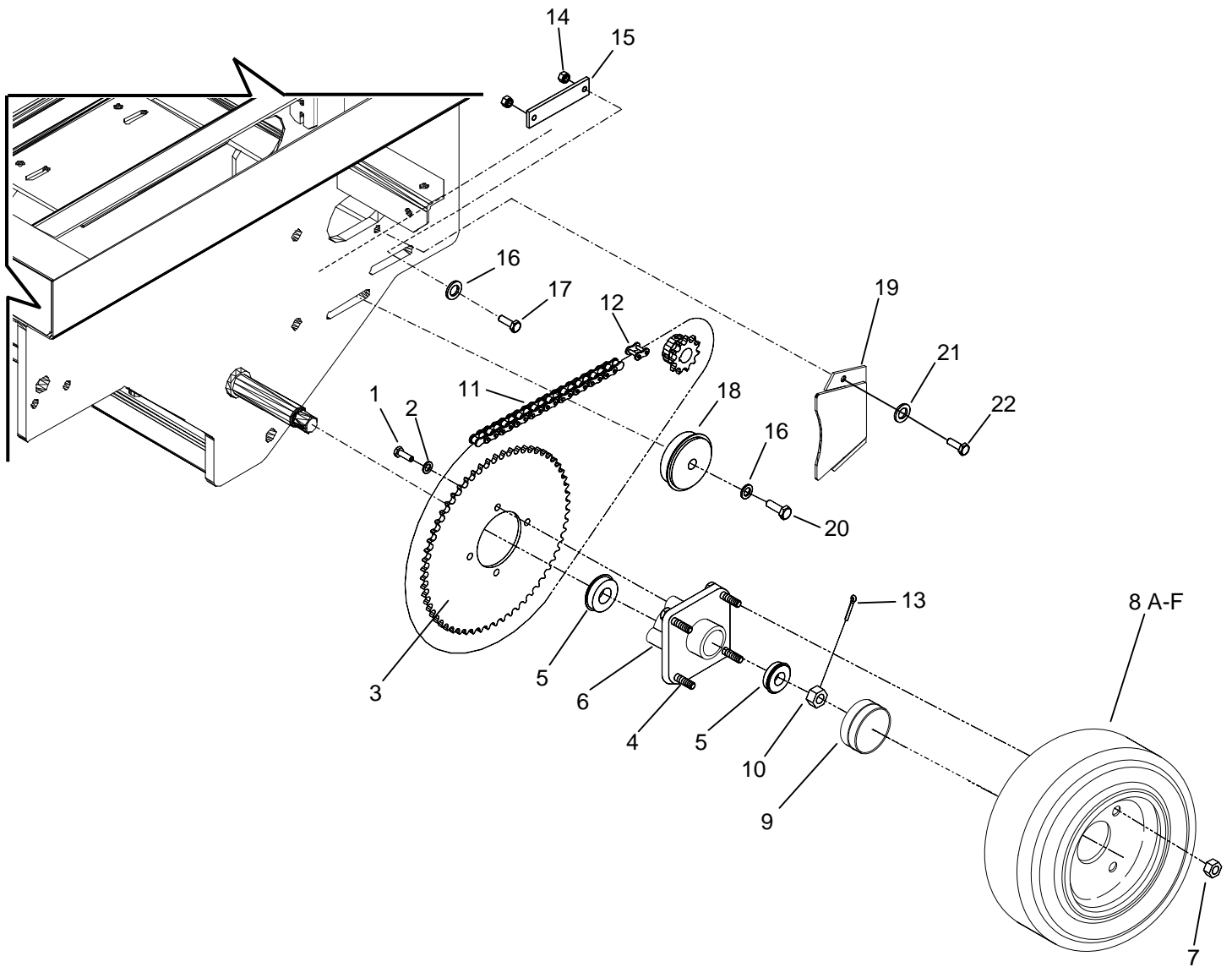
REAR FRAME



REAR FRAME

REF	PART NO.	PRV NO.	QTY	DESCRIPTION	SERIAL NO. FROM	NOTES:
1	86273830	70020	4	SCR, 1/4-20 X 1/2 HHCS SS NP		
2	86010630	87013	14	WASHER, 1/4 ID X 5/8 OD SS		
3	86063910	81577	1	COVER, ELECTRONICS		
4	86275190	70377	8	SCR, 3/8-16 X 1.25 HHCS GR5		
5	86085170	82036	2	PLATE, SHIM		
6	86010770	87143	8	WASHER, 7/16 ID X 1 ID X .08 FLANGE		
7	86095420	82408	1	WELDMENT, REAR GUARD		
8	86006820	70385	2	SCR, 3/8-16 X 2.0 HHCS GR5		
9	86010890	89059	2	WHEEL, BUMPER		
10	86271930	57297	11	NUT, 3/8-16 HEX NYLOCK SS		
11	86279960	81933	1	EDGING, 1/8" X 4.5" LONG		
12	86074810	81714	1	CHANNEL, CABLE COVER		
13	86271750	57250	1	NUT, 1/2-13 NYLOCK THIN SS		
14	86279260	87119	2	WASHER, .53 ID X 1.0 OD X .060		
15	86095310	82038	1	WELDMENT, TANK SUPPORT		
16	86005810	57245	10	NUT, 1/4-20 HEX NYLOCK SS		
17	86008460	80102	1	SPACER, .500 OD X .391 ID X .400		
18	86276150	70603	1	SCR, 1/2-13 X 1 BHMS SS		
19	86276140	70602	1	SCR, 3/8-16 X 1 BHMS PLTD		
20	86095410	82405	1	WELDMENT, REAR FRAME		
21	86276030	70585	2	SCR, 1/4-20 X 1.00 FHSCS		
22	86090260	87182	4	WASHER, 2.5OD X .125 HDPE		
23	86005730	57111	2	NUT, 3/8-16 HEX		
24	86258670	81473	1	VALVE, DISK DRAIN		
25	86233560	80805	1	CLIP, TREE .19 HOLE FLAT		
26	86282740	830155	2	HOSE, 3/4" VINYL X 2.75"		
27	86271090	57118	4	NUT, 1/2-13 HEX NYLOCK		
28	86095120	81685	1	WELDMENT, PIVOT PLATE		
29	86275610	70511	2	SCR, 1/2-13 X 1.5 HHCS GR5		
30	86259310	81926	2	WASHER, FIBER 1.156 X 2.1		
31	86248120	81928	2	O-RING, 1.125 X 1.375 X .125		
32	86272440	66243	1	PIN, COTTER 1/8"D X 1.5"L		
33	86272110	81927	1	NUT, SLOTTED 7/8-14 UNF PLTD		
34	86259300	81635	1	WASHER, 1.156 X 2.00 X .18		
35	86006780	70347	2	SCR, 1/2-13 X 3 HHCS GR5		
36	86090600	81854	2	TUBE, STOP		
37	86273780	70015	6	SCR, 1/4-20 X 3/4 HHCS SS NP		
38	86231120	82062	1	BUMPER, RUBBER		
39	86274800	70297	2	SCR, 1/4-20 X 1.5 HHMS		
40	86273750	70011	8	SCR, 1/4-20 X 5/8 HHCS SS		
41	86279970	81934	1	EDGING, 1/8" X 6.12" LONG		
42	86008760	80682	1	CONNECTOR, BATTERY GRY, 175		
43	86271370	57189	8	NUT, 1/4-20 FLANGE LOCK		
44	86239580	41259	2	HINGE, REAR CLIP		
45	86085420	82471	1	PLATE, ELECTRONICS		
46	86254550	80408	10	SPACER, 1.5 OD X .406 ID X .18T		
47	86279210	87102	10	WASHER, 5/16 ID X 1-1/4 OD		
48	86279130	87083	5	WASHER, 5/16 SPLIT LOCK PLTD		
49	86007020	70673	5	SCR, 5/16-18 X 1.25 HHCS SS		
50	86233540	80743	1	CLIP, CORD SELF-ADHESIVE		

REAR WHEEL



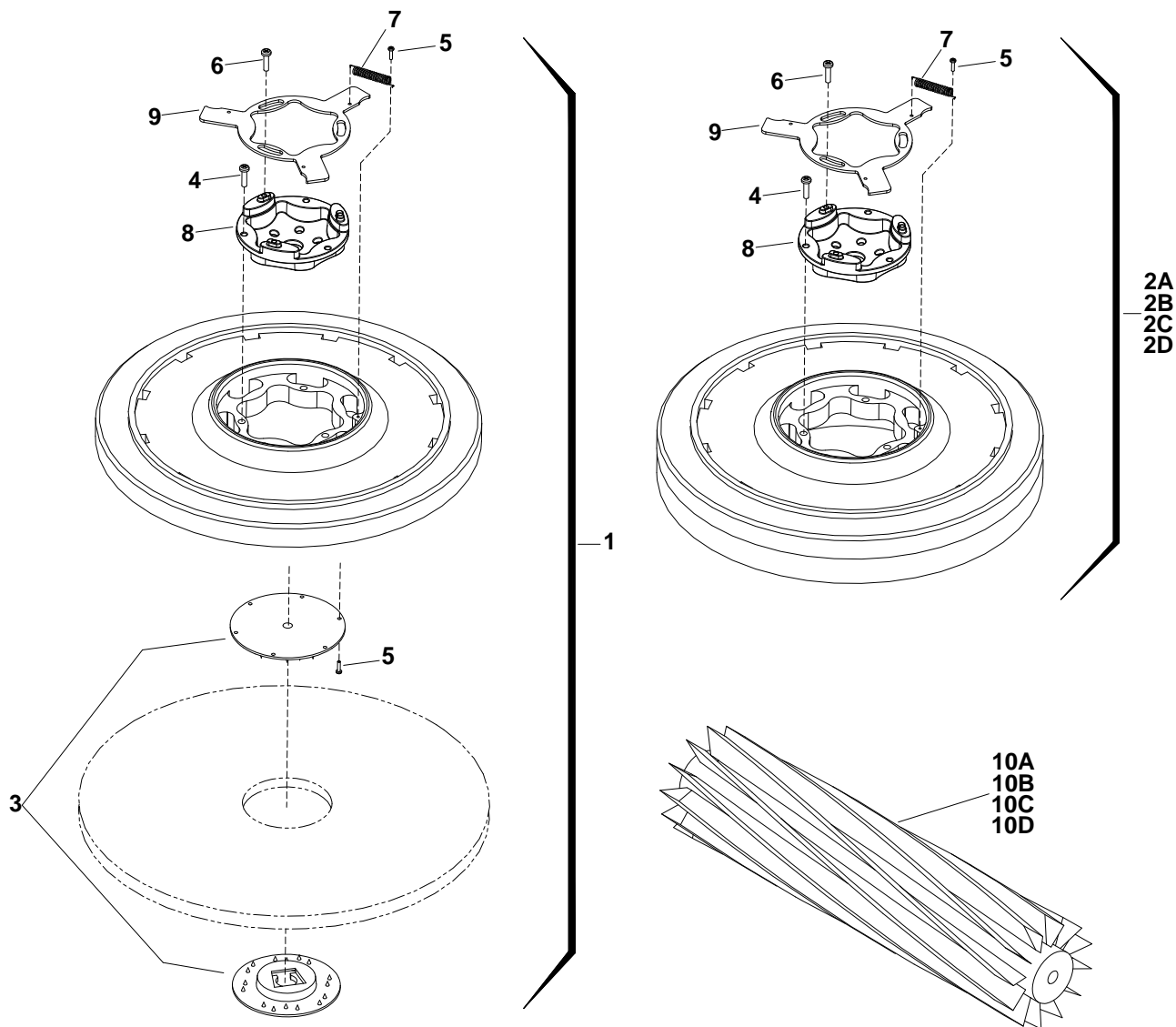
REAR WHEEL

REF	PART NO.	PRV NO.	QTY	DESCRIPTION	SERIAL NO. FROM	NOTES:
1	86006750	70302	8	SCR, 5/16-18 X 1" HHCSGR5 PLT NP		
2	86279130	87083	8	WASHER, 5/16 SPLIT LOCK PLTD		
3	86009730	82386	2	SPROCKET, #40 1/2"P 44T		
4	86226890	80599	8	STUD, WHEEL		
5	86000950	09071	4	BEARING, .9843" ID X 2.0472" OD		
6	86241150	82385	2	HUB, DRIVE WHEEL		
7	86008620	80597	8	NUT, LUG WHEEL 12MM-1.25 PITCH		
8A	86010360	830755	2	WHEEL ASM, FOAM FL BLK KNOBBY		
8B	86259630	82707	REF	WHEEL ASM, PNEU N-MARK		
8C	86008600	80593	REF	TIRE/RIM ASM, PNEUMATIC		
8D	86090630	82983	REF	TIRE/RIM ASM, FOAM-FIL N-MARK		
8E	86010060	82706	REF	WHEEL ASM, PNEU BLK KNOBBY		
8F	86090630	82983	REF	WHEEL ASM, GRY FM FL N-MARK KNOBBY		
9	86241180	80596	2	HUBCAP, GREASE CAP ZINC PLATED		
10	86272060	80598	2	NUT, 3/4-16 SLOTTED GR2 PLTD		
11	86009580	82073	2	CHAIN, #40 1/2"P X 68 LAMBDA		
12	86002980	27743	2	CHAIN, #40 1/2"P LAMBDA M.LINK		
13	86272440	66243	2	PIN, COTTER 1/8" D X 1.5" L PLTD		
14	86271930	57297	4	NUT, 3/8-16 HEX NYLOCK SS		
15	86067610	81897	2	BAR, TENSIONER		
16	86010770	87143	4	WASHER, 7/16 ID X 1 D X .08 FLT SS		
17	86275190	70377	2	SCR, 3/8-16 X 1.25 HHCS SS		
18	86008470	80194	2	TENSIONER, DRIVE CHAIN		
19	86064220	80923	2	GUARD, CHAIN SCRUBBER		
20	86274010	70070	2	SCR, 3/8-16 X 2.0 HHCS SS		
21	86010630	87013	4	WASHER, 1/4 ID X 5/8 OD SS		
22	86275730	70534	4	SCR, 1/4-14 X 3/4 TEKS/3 HWHS PLT		

RECOVERY TANK

REF	PART NO.	PRV NO.	QTY	DESCRIPTION	SERIAL NO. FROM	NOTES:
1	86006240	66227	1	PLUG, DRAIN HOSE		
2	86004450	40019	1	HOSEBARB, 1.5 DOUBLE MCHD		
3	86002400	20064	1	CLAMP, WORM GEAR X .312W		
4	86008400	78499	1	TETHER, DRAIN PLUG		
5	86077990	81885	1	MOUNT, RETAINER DRAIN HOSE		
6	86273820	70019	2	SCR, 1/4-20 X 1.25 HHCS		
7	86004260	39472	1	HOSE, 1.5 X 24.0 DRAIN		
8	86005620	57021	2	NUT, 1/4-20 X .962 WELL		
9	86002380	20046	1	CLAMP, 2.25" WORM GEAR		
10	86002920	27595	1	CAP, TANK CLEANOUT		
11	86003540	34242	1	FILLER PLATE, CLEANOUT CAP		
12	86003810	35194	1	GASKET, TANK SCREW CAP, NEOPR.		
13	86032810	75435	1	TANK, RECOVERY FCAT3		
14	86238150	81794	3	GASKET, RECOVERY TANK RING		
15	86264920	27049	2	CABLE TIE, 7" UL/CSA		
16	86095220	81795	1	WELDMENT, VAC TUBE		
17	86010630	87013	6	WASHER, 1/4 ID X 5/8 OD SS		
18	86005810	57245	1	NUT, 1/4-20 HEX NYLOCK SS		
19	86273750	70011	1	SCR, 1/4-20 X 5/8 HHCS SS		
20	86006520	34140	1	FILTER, VAC INTAKE 10 MESH		
21	86252300	81990	1	ROD, COVER RETAINER		
22	86271740	57249	2	NUT, 1/2-13 JAM		
23	86094030	81798	1	SEPARATOR		
24	86279350	87140	1	WASHER, WAVE 1/2 ID X 3/4 D		
25	86228290	81801	1	BAR, SEPERATOR RETAINER		
26	86271750	57250	1	NUT, 1/2-13 NYLOCK THIN SS		
27	86090230	87015	2	WASHER, 9/16 ID X 1.06 OD		
28	86233430	81431	2	CLAMP, 2.50 WORM GEAR		
29	86009370	81865	1	HOSE, 2" VAC X 16"		
30	86067550	81785	1	BAR, VAC SEAL MOUNT		
31	86010760	87142	4	WASHER, .344 X .69 X .066 FLA		
32	86254550	80408	8	SPACER, 1.5 OD X .406 1D X .18T		
33	86276780	70728	2	SCR, 5/16-18 X 3/4 HHCS SS		
34	86007020	70673	2	SCR, 5/16-18 X 1.25 HHCS SS		
35	86095200	81782	1	WELDMENT, VAC SEAL MOUNT		
36	86009280	81786	1	GASKET, VAC TUBE		
37	86272200	66073	2	PIN, COTTER 1/16" X 3/4" L		
38	86227310	81985	1	ANGLE, SEAL MOUNT		
39	86255520	82054	2	SPRING, COMP. 48 D X 1.25 L		
40	86242150	80674	1	KNOB, ADJUSTING WITH 1/2-13		
41	86062240	270002	1	COVER, RECOVERY TANK FLX3		
42	86009300	81793	1	GASKET, RECOVERY TANK COV		
43	86271850	57287	1	NUT, 1/2 NPT PLASTIC		
44	86007460	730122	1	SWITCH, FLOAT		
45	86070420	140637	1	BRKT, FLOAT SWITCH		
46	86277000	70777	1	SCR, 1/4-20 X 1.75 CARRIAGE SS		

SCRUB BRUSH/PAD DRIVER



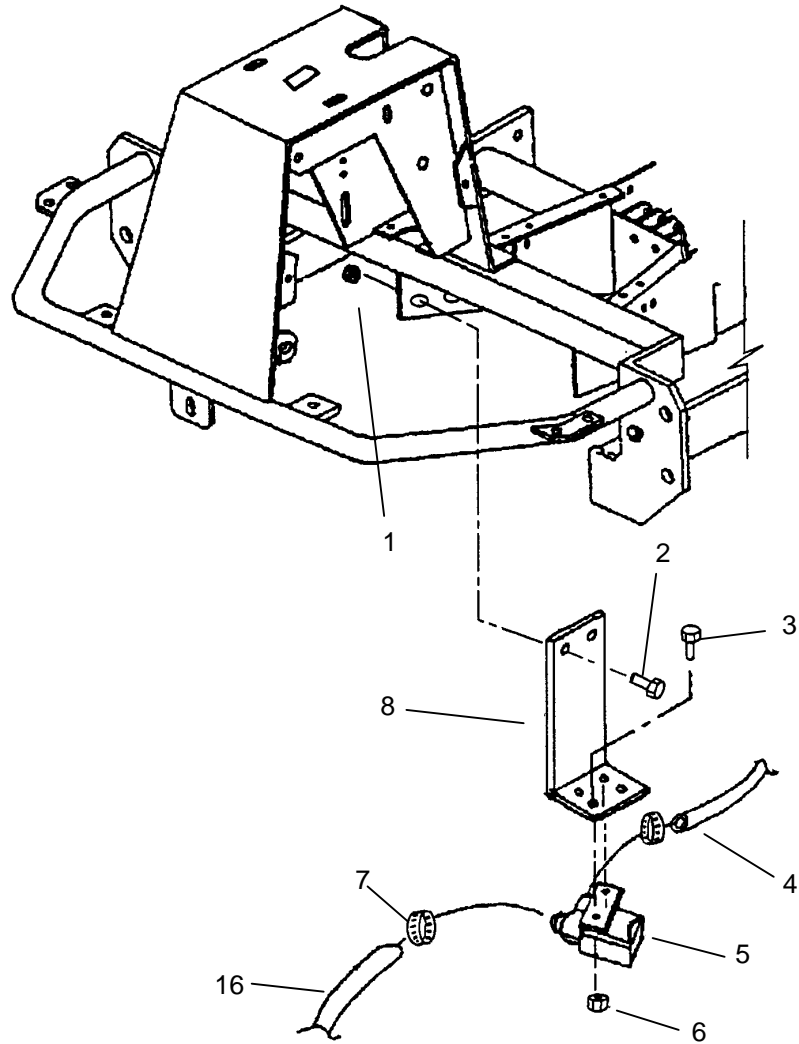
SCRUB BRUSH/PAD DRIVER

REF	PART NO.	PRV NO.	QTY	DESCRIPTION	SERIAL NO. FROM	NOTES:
1	86000410	02436	2	PAD DRIVER 20"		
2A	86000380	02427	2	BRUSH, 20" POLYPROPYLENE SD		
2B	86000430	02438	2	BRUSH, 20" NYLON SD		
2C	86000440	02440	2	BRUSH, 20" MILD GRIT SD		
2D	86000450	02441	2	BRUSH, 20" SUPER AGGR SD		
3	86005070	51284	1	LOCK, PAD CENTER SNAP, TWO STEP		
4	86276590	70695	3	SCR, 12-24 X 1.0 PPHMS SS		
5	86276580	70694	4	SCR, 8-32 X 3/4 PTHMS		
6	86276600	70696	3	SCR, 10-32 X 3/4 PTHMS		
7	86007910	73817	1	SPRING, EXT .31 D X 2.0 L X .03 W SS		
8	86007280	730011	1	SOCKET, DRIVE BRUSH		
9	86005940	62852	1	PLATE, BRUSH RELEASE		
10A	86000550	81558	2	BRUSH, 37.19" CYL. POLY		
10B	86283990	830058	2	BRUSH, 37.19" CYL. NYLON		
10C	86283960	81556	2	BRUSH, 37.19" CYL. STANDARD GRIT		
10D	86283970	81557	2	BRUSH, 37.19" CYL. SUPER AGG GRIT		

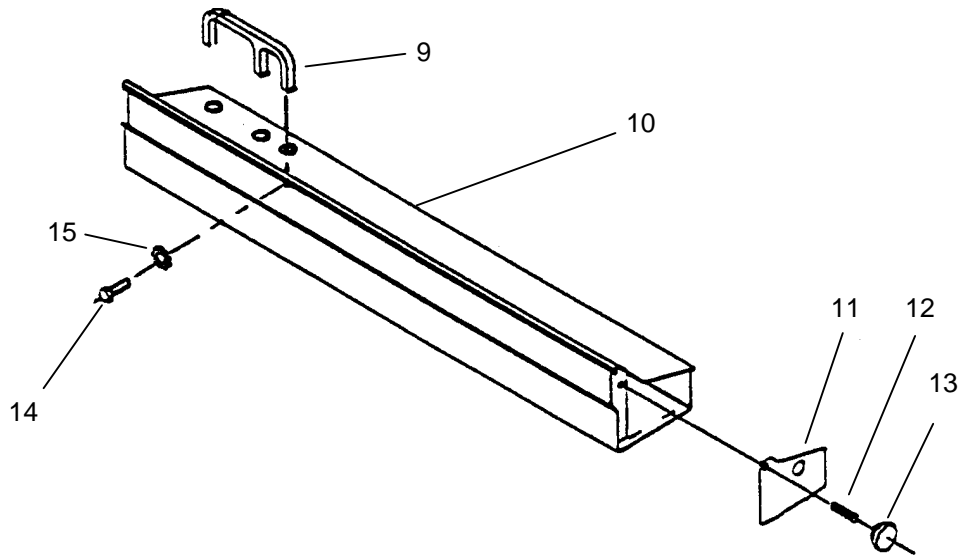
SCRUB HEAD - CYLINDRICAL

REF	PART NO.	PRV NO.	QTY	DESCRIPTION	SERIAL NO. FROM	NOTES:
1	86004830	48050	2	KEY, 1/8 X 1/8 X 3/4		
2	86005360	53638	2	MOTOR, 36V 3/4HP 1725RPM		
3	86270850	57026	4	NUT, 8-32 HEX NYLOCK SS		
4	86005650	57031	2	NUT, 5/16-18 HEX		
5	86270830	57023	4	NUT, 5/16-18 HEX NYLOCK SS		
6	86273830	70020	16	SCR, 1/4-20 X 1/2 HHCS SS DL		
7	86273930	70051	4	SCR, 8-32 X 1/2 PPHMS NP		
8	86006550	70074	4	SET SCR, 10-32 X 1/4 KCP DL		
9	86006640	70176	4	SCR, 5/16-18 X 1/2 SHCS DL		
10	86006560	70083	2	SCR, 5/16-18 X 1"HHCS SS NP		
11	86276780	70728	4	SCR, 5/16-18 X 3/4 HHCS SS		
12	86006960	70572	2	SCR, 3/8-16 X 3/4 FHSCS		
13	86007670	73166	4	SNAP RING, EXTERNAL		
14	86009170	81488	2	LATCH, SQUEEGEE STRAP		
15	86009220	81547	2	HUB, IDLER CYL. SCRUB		
16	86009230	81548	2	HUB, DRIVE CYL. SCRUB		
17	86010350	830670	2	BELT, CYL. BRUSH DRIVE		
18	86010340	830669	2	PULLEY, MOTOR DRIVE CYL. BRUSH		
19	86009510	82034	2	SHAFT, IDLER CYL. SCRUB		
20	86009520	82035	2	SHAFT, DRIVER CYL. SCRUB		
21	86009540	82043	2	RING, 1-3/8 INT. SNAP		
22	86009550	82045	6	BEARING, 1.38 X .59 X .43L		
23	86009570	82070	2	PIN, ROLL 3/32 X 3/8 SS		
24	86009620	82225	2	PLATE, SEAL RETAINER		
25	86009630	82226	2	SEAL, DRIVER CYL. SCRUB		
26	86085310	82227	2	PLATE, MOTOR MOUNT		
27	86065600	82228	2	ANGLE, MOTOR MOUNT		
28	86095350	82229	2	WELDMENT, DOOR CYL SCRUB		
29	86010660	87025	16	WASHER, 1/4 LOCK EXT STAR SS		
30	86095380	82374	1	WELDMENT, CYL SCRUBHEAD 40		
31	86260400	880212	1	WIRE ASM, REV POLARITY JUMPER		
32	86233070	20003	2	CLAMP, 1/2 DIA THIN WALL CONDUIT		
33	86005810	57245	6	NUT, 1/4-20 HEX NYLOCK SS		
34	86033300	82380	1	TUBE ASM, SOL. DELIVERY		
35	86009660	82242	2	ROLLER, SIDE CYL. SCRUB		
36	86008880	80818	2	PIN, CLEVIS, 1/2 DIA X 3.75 L PLTD		
37	86008680	80607	2	COTTER, 1/2" RING		
38	86002830	27196	2	CABLE TIE		
39	86010630	87013	8	WASHER, 1/4 ID X 5/8 OD SS		
40	86273780	70015	4	SCR, 1/4-20 X 3/4 HHCS SS		
41	86009680	82254	2	GUARD, BELT CYL. SCRUB		
42	86009640	82234	4	BAR, RETAINER		
43	86009240	81555	4	SQUEEGEE, SIDE CYL. SCRUB		
44	86006930	70514	8	SCR, 5/16-18 X 1.00 STHMS		
45	86009650	82236	2	FLAP, SIDE CYL SCRUB		
46	86235040	82552	1	DECAL, SCRUB PLUS		
47	86006580	70085	2	SCR, 1/4-20 X 1/2 PPHMS SS DL		
48	86273750	70011	2	SCR, 1/4-20 X 5/8 HHCS SS NP		
49	86277210	70810	4	SCR, 5/16-18 X 1.00 LSHCS SS		
50	86254260	730223	4	SPACER, BRUSH DRIVE		

**SCRUB HEAD - CYLINDRICAL
VALVE & HOPPER GROUP**



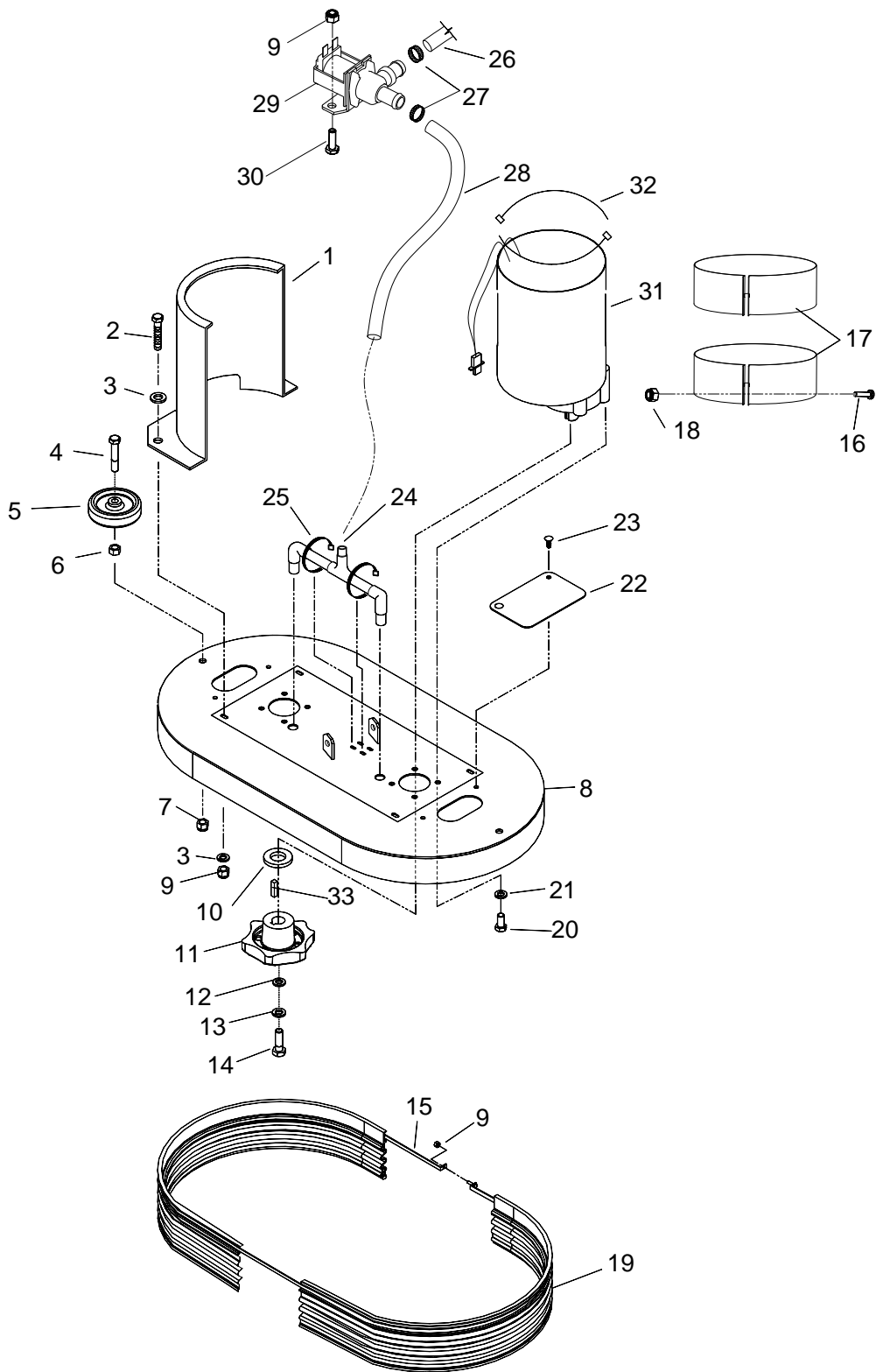
CYLINDRICAL SCRUB HEAD HOPPER ASSEMBLY



**SCRUB HEAD - CYLINDRICAL
VALVE & HOPPER GROUP**

REF	PART NO.	PRV NO.	QTY	DESCRIPTION	SERIAL NO. FROM	NOTES:
1	86270830	57023	2	NUT, 5/16-18 HEX NYLOCK SS		
2	86276780	70728	2	SCR, 5/16-18 X 3/4 HHCS SS		
3	86273780	70015	2	SCR, 1/4-20 X 3/4 HHCS SS NP		
4	86282010	39555	1	HOSE, 5/8" VINYL X 18.5"		
5	86009710	82312	1	VALVE, 36VDC SOL. 1/2" HOSEBARB		
6	86005810	57245	2	NUT, 1/4-20 HEX NYLOCK SS		
7	86233150	20042	2	CLAMP, 3/8 HOSE (D-SLOT)		
8	86065610	82255	2	ANGLE, VALVE MOUNT		
9	86238760	82530	1	HANDLE, CYL. SCRUB HOPPER		
10	86095390	82377	1	WELDMENT, FLEX CAP. SCRUB TRAY		
11	86009670	82253	1	PLATE, COVER TRAY CYL. SCRUB		
12	86278110	81491	1	SET SCR, 5/16-8 X 1.5 CP SS		
13	86004790	48012	1	KNOB, 5/16-18 4 PRONG		
14	86276220	70612	3	SCR, 8-32 X 3/8" HHCS SS		
15	86278930	87007	3	WASHER, #8 LOCK EXT. STAR PLTD		
16	86282680	82311	1	HOSE, 5/8" VINYL X 19.5"		

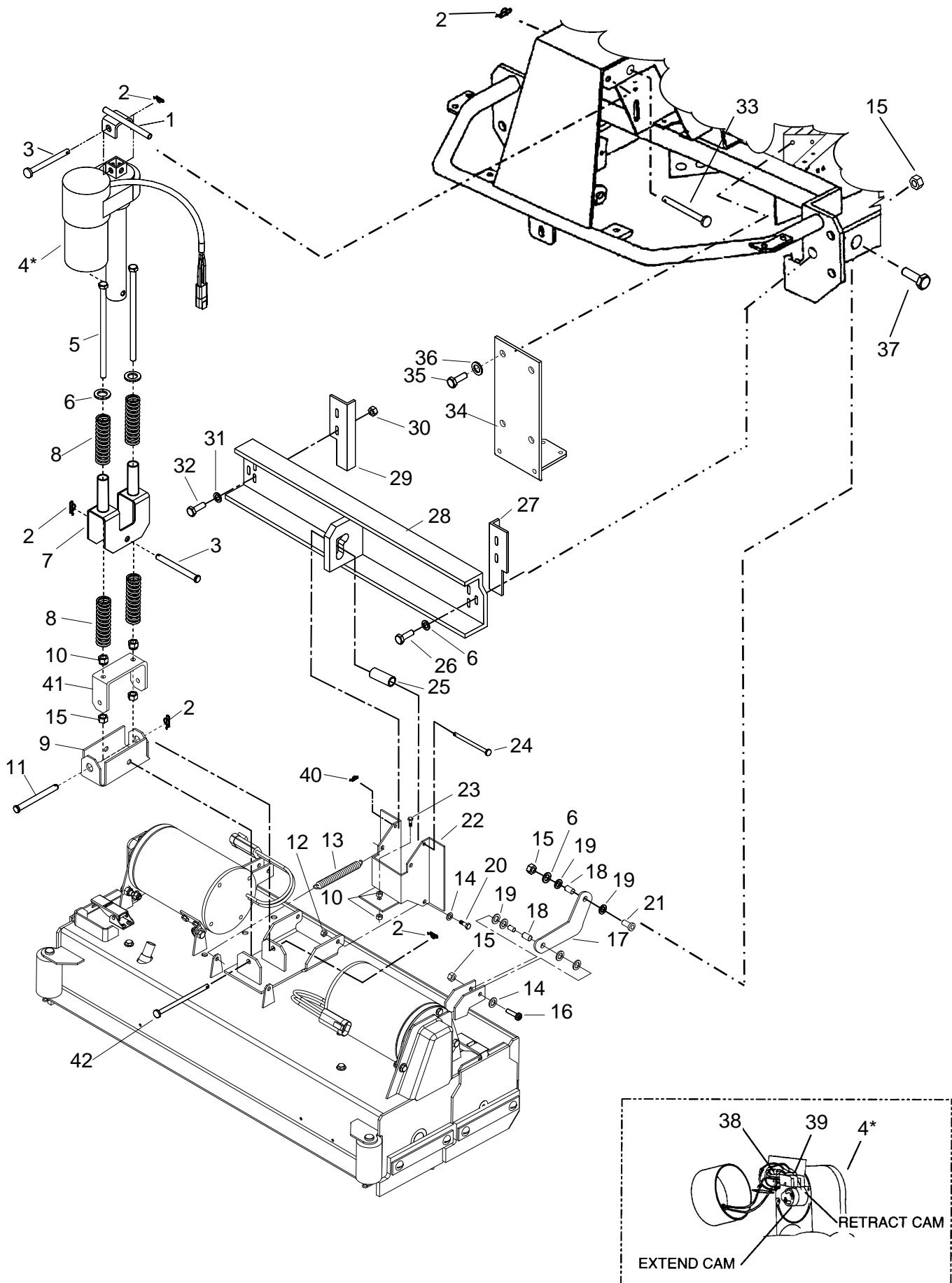
SCRUB HEAD - DISK



SCRUB HEAD - DISK

REF	PART NO.	PRV NO.	QTY	DESCRIPTION	SERIAL NO. FROM	NOTES:
1	86063920	81899	2	COVER, MOTOR		
2	86273780	70015	4	SCR, 1/4-20 X 3/4 HHCS SS NP		
3	86010630	87013	8	WASHER, 1/4 ID X 5/8 OD SS		
4	86274010	70070	1	SCR, 3/8-16 X 2.0 HHCS SS		
5	86010890	89059	1	WHEEL, BUMPER		
6	86005730	57111	1	NUT, 3/8-16 HEX		
7	86271930	57297	1	NUT, 3/8-16 HEX NYLOCK SS		
8	86259500	82864	1	WELDMENT, 40" SCRUB HEAD		
9	86005810	57245	7	NUT, 1/4-20 HEX NYLOCK SS		
10	86279640	87213	2	WASHER, .78 ID X 1.63 OD X .25 T PLTD		
11	86003420	29220	2	DRIVER BRUSH SD		
12	86279630	87212	2	WASHER, .344 X 1.13 OD X .09 T PLTD		
13	86279130	87083	2	WASHER, 5/16 SPLIT LOCK PLTD		
14	86007020	70673	2	SCR, 5/16-18 X 1.25 HHCS SS		
15	86095550	82901	1	SKIRT RETAINER		
16	86006520	70052	4	SCR, 8-32X 3/8 PPHMS SS		
17	86076100	82259	4	GUARD, MOTOR		
18	86270850	57026	4	NUT, 8-32 HEX NYLOCK SS		
19	86007510	730141	2	SKIRT, 3.5 X 46" EXT		
20	86276970	70774	8	SCR, 3/8-16 X 3/4 HHCS SS		
21	86010790	87163	8	WASHER, 3/8 SPLIT LOCK		
22	86234830	81898	2	COVER, BRUSH RELEASE		
23	86233560	80805	4	CLIP TREE .19 HOLE FLAT HEAD		
24	86033120	82899	1	MANIFOLD, SOLUTION DELIVERY		
25	86264920	27049	2	CABLE TIE, 7" UL/CSA		
26	86282010	39555	1	HOSE, 5/8" VINYL X 18.5"		
27	86233150	20042	2	CLAMP, 3/8 HOSE (D-SLOT)		
28	86282630	81397	1	HOSE, 5/8" VINYL X 14"		
29	86009710	82312	1	VALVE, 36VDC SOL., 1/2" HOSEBARB		
30	86273850	70022	2	SCR, 1/4-20 X 2 HHCS SS		
31	86247500	53637	2	MOTOR, 36VDC 200 RPM 1 HP GEAR		
-	86001360	140394	1	BRUSH SET, ASI		(NOT SHOWN)
32	86002830	27196	2	CABLE TIE		
33	86004810	48040	2	KEY, 1/4 SQ X 1.00		

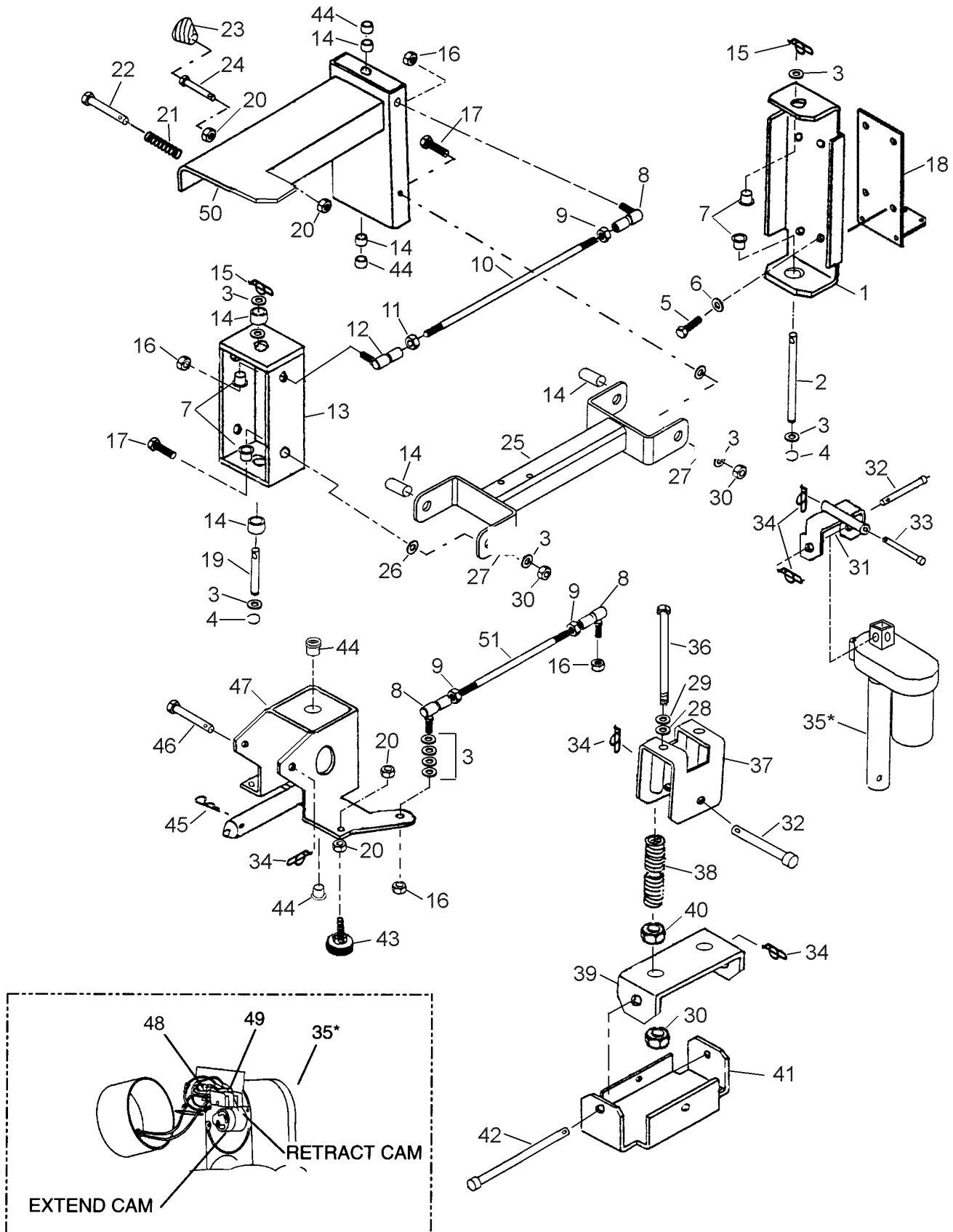
SCRUB HEAD LIFT - CYLINDRICAL



SCRUB HEAD LIFT - CYLINDRICAL

REF	PART NO.	PRV NO.	QTY	DESCRIPTION	SERIAL NO. FROM	NOTES:
1	86095180	81765	1	WELDMENT, ACTUATOR PIVOT		
2	86008670	80606	5	COTTER, 3/8" RING		
3	86248970	81406	2	PIN, CLEVIS 3/8 X 2		
4	86010260	830036	1	ACTUATOR, 36V 4" STROKE		
5	76276670	70712	2	SCR, 3/8-16 X 6.0 HHCS SS		
6	86010770	87143	6	WASHER, 7/16 ID X 1 D X .08 FLAT		
7	86093810	67453	1	RETAINER, SPRING		
8	86254900	730025	4	SPRING, COMP .97 D X 3.5 L X .12 W		
9	86074840	81763	1	CHANNEL PIVOT		
10	86005730	57111	4	NUT, 3/8-16 HEX		
11	86272710	82060	1	PIN, CLEVIS 3/8 X 5.52 PLTD		
12	86271090	57118	2	NUT, 1/2-13 HEX NYLOCK		
13	86255540	82350	2	SPRING, EXT/ 1.0 D X 7.25 L X .125 W		
14	86279260	87119	4	WASHER, .53 ID X 1.0 D X .060 FLAT		
15	86271930	57297	8	NUT, 3/8-16 HEX NYLOCK SS		
16	86276430	70647	2	SCR, 3/8-16 X 1-3/4 HHCS SS		
17	86066060	82241	2	ARM, LIFT CYL. SCRUB		
18	86229230	81377	4	BEARING, FIBER 1/2 ID X 3/8 L		
19	86009100	81396	4	WASHER, FIBERGLIDE 1/2" X 1.0 OD		
20	86275010	70340	2	SCR, 1/2-13 X 1.25 HHCS GR5 PLTD		
21	86249210	82240	2	PIVOT, REAR CYL. SCRUB		
22	86074950	82235	1	CHANNEL, PITCH ADJ. CYL. SCRUB		
23	86275960	70570	1	SCR, 3/8-16 X 2.00 BHCS		
24	86249070	82322	1	PIN, CLEVIS 1/2 X 4.8" PLTD		
25	86252400	82243	1	ROLLER, TOP CYL. SCRUB		
26	83275190	70377	2	SCR, 3/8-16 X 1.25 HHMS SS		
27	86065630	82294	1	ANGLE, LT SIDE CYL. SCRUB		
28	86095360	82237	1	WELDMENT, UPPER SLIDE CYL.		
29	86065620	82293	1	ANGLE, RT. STOP CYL. SCRUB		
30	86270830	57023	4	NUT, 5/16-18 HEX NYLOCK SS		
31	86010760	87142	4	WASHER, .344 X .69 X .06 FLAT		
32	86006560	70083	4	SCR, 5/16-18 X 1 HHCS SS NP		
33	86249060	82061	1	PIN, CLEVIS 3/8 X 4.63		
34	86065520	81751	1	ANGLE VALVE MOUNT		
35	86276920	70755	4	SCR, 3/8-16 X 1.0 HHCS SS NP		
36	86010790	87163	4	WASHER, 3/8 SPLIT LOCK		
37	86274010	70070	2	SCR, 3/8-16 x 2 HHCS SS		
38	86235230	29176	1	DIODE ASSEMBLY, FASCO ACTUATOR		AVAILABLE IN KIT #86025500 PRV NO. 47174
39	86256890	72122	1	SWITCH, TRAVEL LIMIT		AVAILABLE IN KIT #86025500 PRV NO. 47174
40	86008680	80607	1	COTTER, 1/2" RING		
41	86074330	27902	1	CHANNEL, SPRING MOUNT		
42	86249050	82058	1	PIN, CLEVIS 3/8 X 3.5 PLTD		

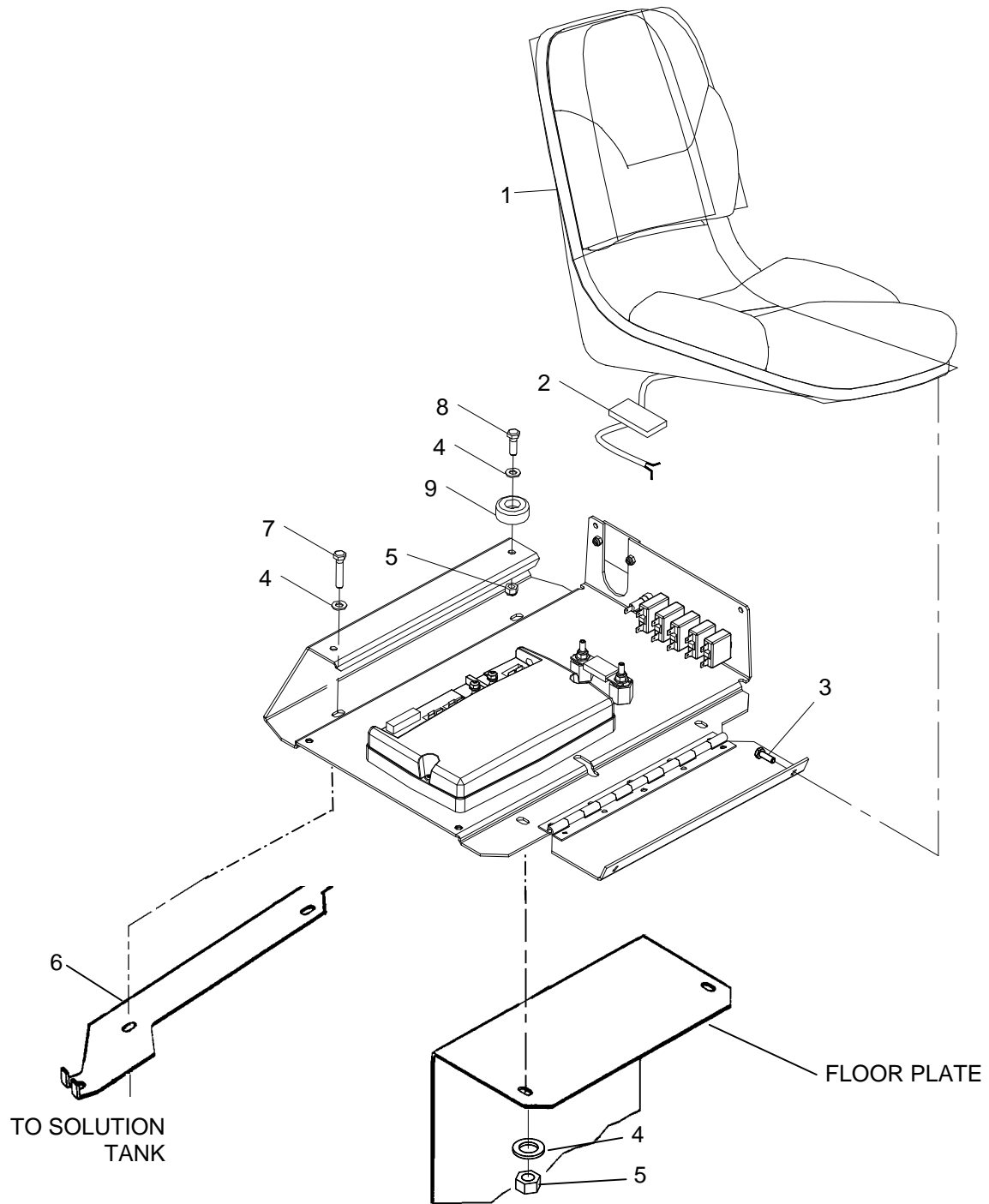
SCRUB HEAD LIFT - DISK



SCRUB HEAD LIFT - DISK

REF	PART NO.	PRV NO.	QTY	DESCRIPTION	SERIAL NO. FROM	NOTES:
1	86249970	81742	1	PLATE, SWING MOUNT		
2	86249030	82056	1	PIN, PIVOT 1/2" X 8.69"		
3	86279260	87119	12	WASHER, .53 ID X 1.0 OD X .060 PLTD		
4	86272810	67132	2	RING, 1/2 EXT. SNAP H-D		
5	86276920	70755	4	SCR, 3/8-16 X 1" HHCS SS NP		
6	86010790	87163	4	WASHER, 3/8 SPLIT LOCK		
7	86229220	81325	4	BEARING, 1/2 ID X 7/32 L NYLON		
8	86009080	81392	3	BALL JOINT ASM, 1/2-20		
9	86271560	57221	3	NUT, 1/2-20 HEX JAM PLTD		
10	86251810	82205	1	ROD TRAILING ARM		
11	86271570	57222	1	NUT, 1/2-20 HEX L.H. JAM		
12	86009610	82192	1	BALL JOINT ASM, 1/2-20 LH		
13	86090620	81752	1	WELDMENT, FRONT PIVOT		
14	86009090	81394	8	BEARING, FIBER 1/2" ID X 1/4 L		
15	86008680	80607	2	COTTER, 1/2" RING		
16	86271430	57201	4	NUT, 1/2-20 HEX NYLOCK SS		
17	86275190	70377	4	SCR, 3/8-16 X 1.25 HHCS GR5 PLTD		
18	86065520	81751	1	ANGLE, VALVE MOUNT		
19	86249040	82057	1	PIN, PIVOT 1/2" X 7.69"		
20	86005650	57031	6	NUT, 5/16-18 HEX		
21	86255500	81978	1	SPRING, EXT. .75 D X 4.0 L X .105 W		
22	86272380	66217	1	PIN, CLEVIS 3/8" X 3/4"		
23	86231110	81387	1	BUMPER		
24	86276130	70601	1	SCR, 5/16-18 X 2.75 HHCS GR5		
25	86009760	82466	1	WELDMENT, TRAILING ARM E. VLVE		
26	86009100	81396	4	WASHER FIBERGLIDE 1/2" ID X 1" OD		
27	86008460	80102	4	SPACER, .500 OD X .391 ID C X .400		
28	86278880	80683	2	WASHER, NEOPRENE 3/8" X 1. OD		
29	86010770	87143	2	WASHER, 7/16 ID X 1 D X .08 FLAT		
30	86271930	57297	6	NUT, 3/8-16 HEX NYLOCK SS		
31	86095180	81765	1	WELDMENT, ACTUATOR PIVOT		
32	86248970	81406	2	PIN, CLEVIS, 3/8 X 2		
33	86249060	82061	1	PIN, CLEVIS 3/8 X 4.63 PLTD		
34	86008670	80606	5	COTTER, 3/8" RING		
35	86010260	830036	1	ACTUATOR, 36V' STROKE		
36	86275970	70574	2	SCR, 3/8-16 X 7.5 HHCS GR5 PLTD		
37	86095270	81814	1	WELDMENT, SPRING RETAINER		
38	86255430	81311	4	SPRING, COMP 1.00 X 3.5L X .135 W		
39	86247620	81764	1	SPRING, MOUNT		
40	86005730	57111	2	NUT, 3/8-16 HEX		
41	86074840	81763	1	CHANNEL, PIVOT		
42	86272710	82060	1	PIN, CLEVIS 3/8 X 5.25 PLTD		
43	86008740	80654	2	BUMPER, ADJUSTMENT		
44	86229220	81325	4	BEARING, 1/2ID X 7/32L NYLON		
45	86009600	82191	1	PIN, COTTER HAIR .178 DIA		
46	86249050	82058	1	PIN, CLEVIS 3/8 X 3.5 PLTD		
47	86095170	81757	1	WELDMENT, QUICK CONNECT		
48	86235230	29176	1	DIODE, ASSEMBLE FASCO ACTUATOR		AVAILABLE IN KIT #86025500 - PRV NO. 47174
49	86256890	72122	1	SWITCH, TRAVEL LIMIT		AVAILABLE IN KIT #86025500 - PRV NO. 47174
50	86090610	81746	1	WELDMENT, SWING ARM		
51	86252160	80465	1	ROD, TRAILING ARM		

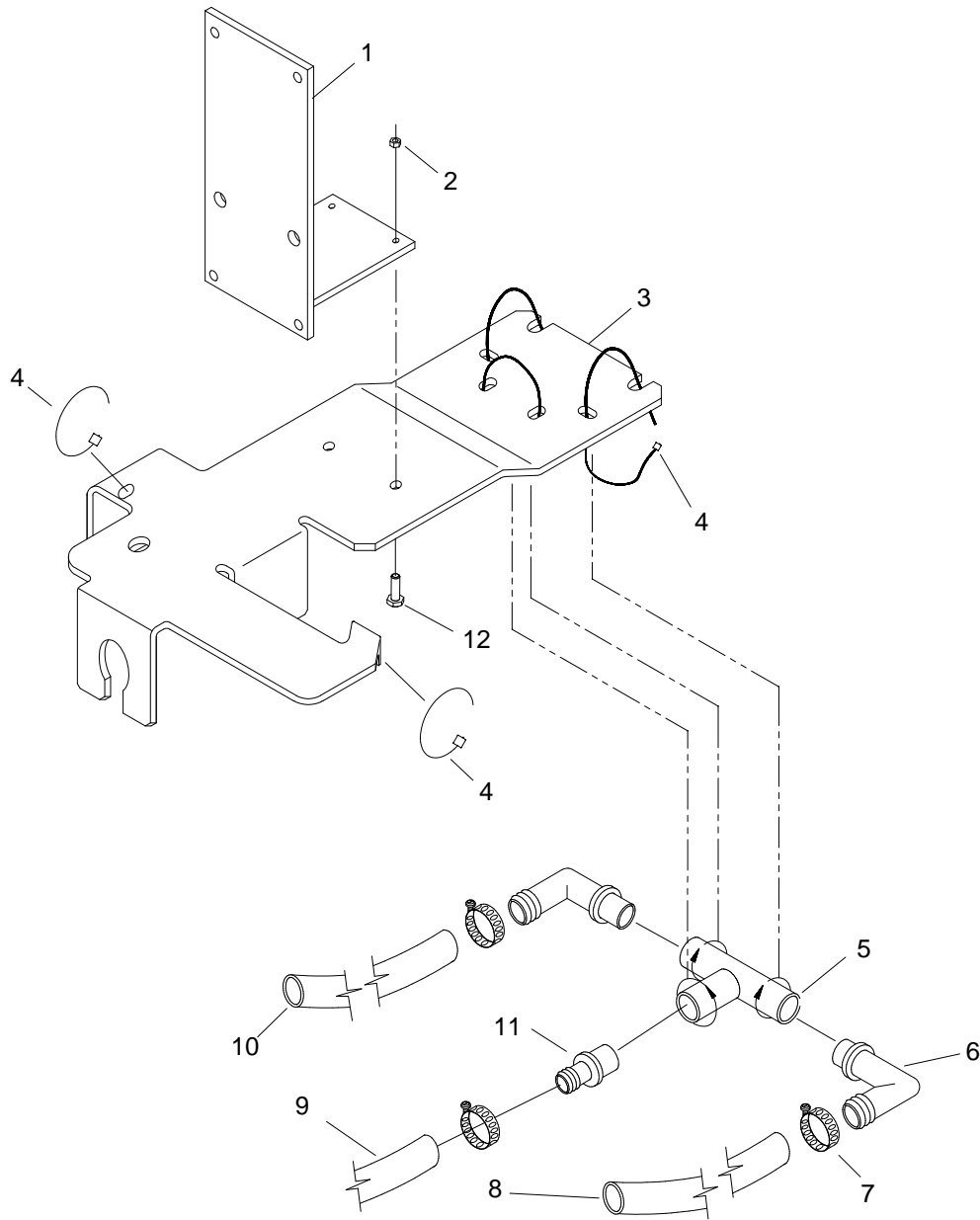
SEAT



SEAT

REF	PART NO.	PRV NO.	QTY	DESCRIPTION	SERIAL NO. FROM	NOTES:
1	86253150	730087	1	SEAT, SUPER SUBURBAN BLK VINYL		
2	86028640	81884	1	SWITCH ASM, SEAT		
3	86277040	70781	2	SCR, 5/16-18 X 1/2 HHCS SS NP		
4	86010760	87142	8	WASHER, .344 X .69 X .066 FLAT		
5	86270830	57023	4	NUT, 5/16-18 HEX NYLOCK SS		
6	86085900	830877	1	PLATE, DRAIN HOSE		
7	86276780	70728	4	SCR, 5/16-18 X 3/4 HHCS SS		
8	86005650	70083	2	SCR, 5/16-18 X 1 HHCS SS NP		
9	86231090	80809	2	BUMPER, RUBBER 5/16" ID X 1.50		

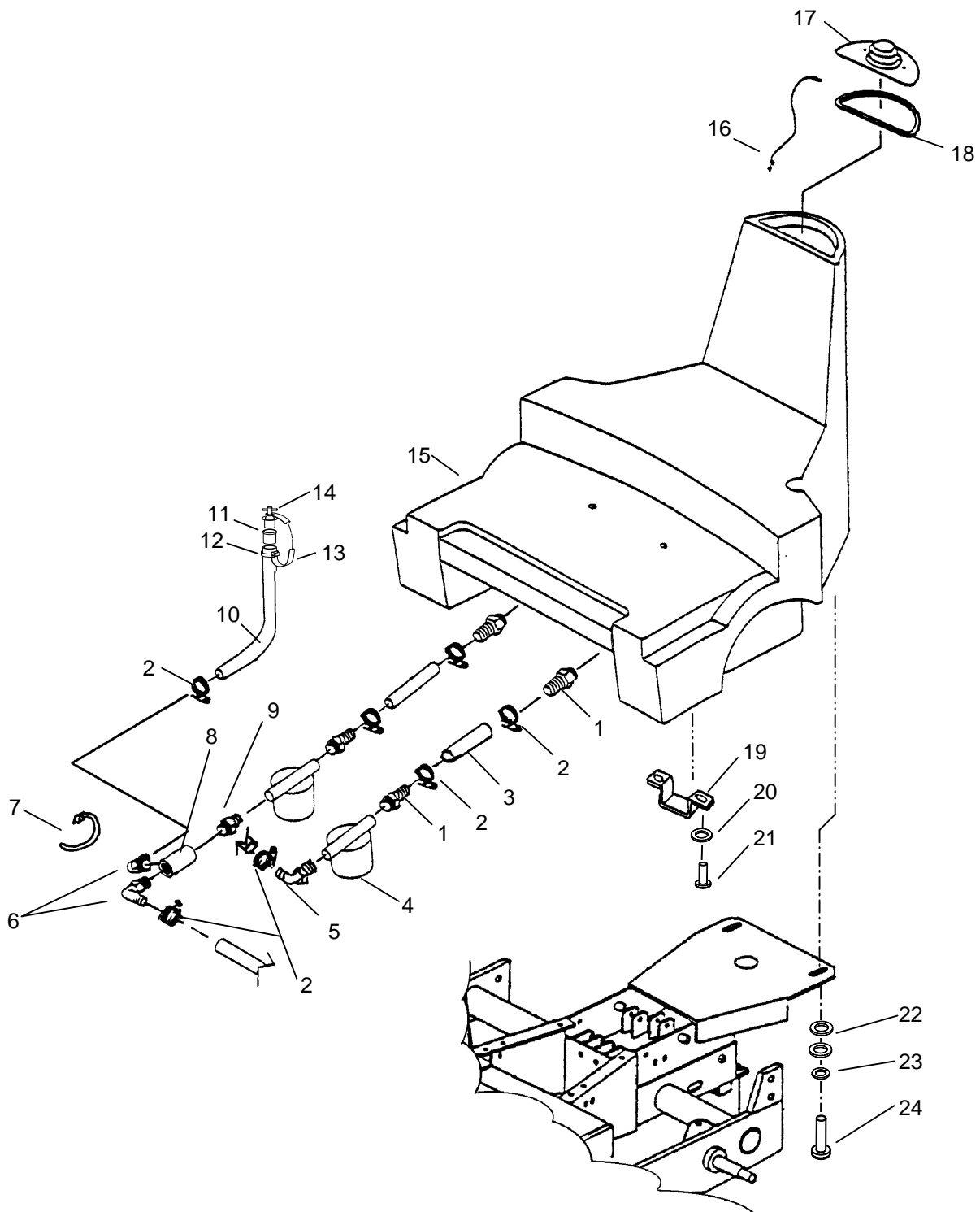
SOLUTION HOSES & FITTINGS



SOLUTION HOSES & FITTINGS

REF	PART NO.	PRV NO.	QTY	DESCRIPTION	SERIAL NO. FROM	NOTES:
1	86065520	81751	REF	ANGLE, VALVE MOUNT		
2	86271770	57252	2	NUT, 10-24 HEX NYLOCK SS		
3	86085860	830833	1	PLATE, VALVE MOUNT		
4	86264920	27049	5	CABLE TIE, 7" UL/CSA		
5	86198050	81923	1	TEE, 3/4 FPT		
6	86009420	81913	2	HOSEBARB, 3/4 MPT X 5/8 H		
7	86233150	20042	3	CLAMP, 3/8 HOSE (D-SLOT)		
8	86281710	39494	1	HOSE, 5/8" VINYL X 13"		
9	86282010	39555	REF	HOSE, 5/8" VINYL X 18.5"		
10	86282000	39554	1	HOSE, 5/8" VINYL X 15.5"		
11	86008950	80962	1	FITTING, 3/4 NPT X 1/2 BARB		
12	86277110	70789	2	SCR, 10-24 X 3/4 PPHMS SS		

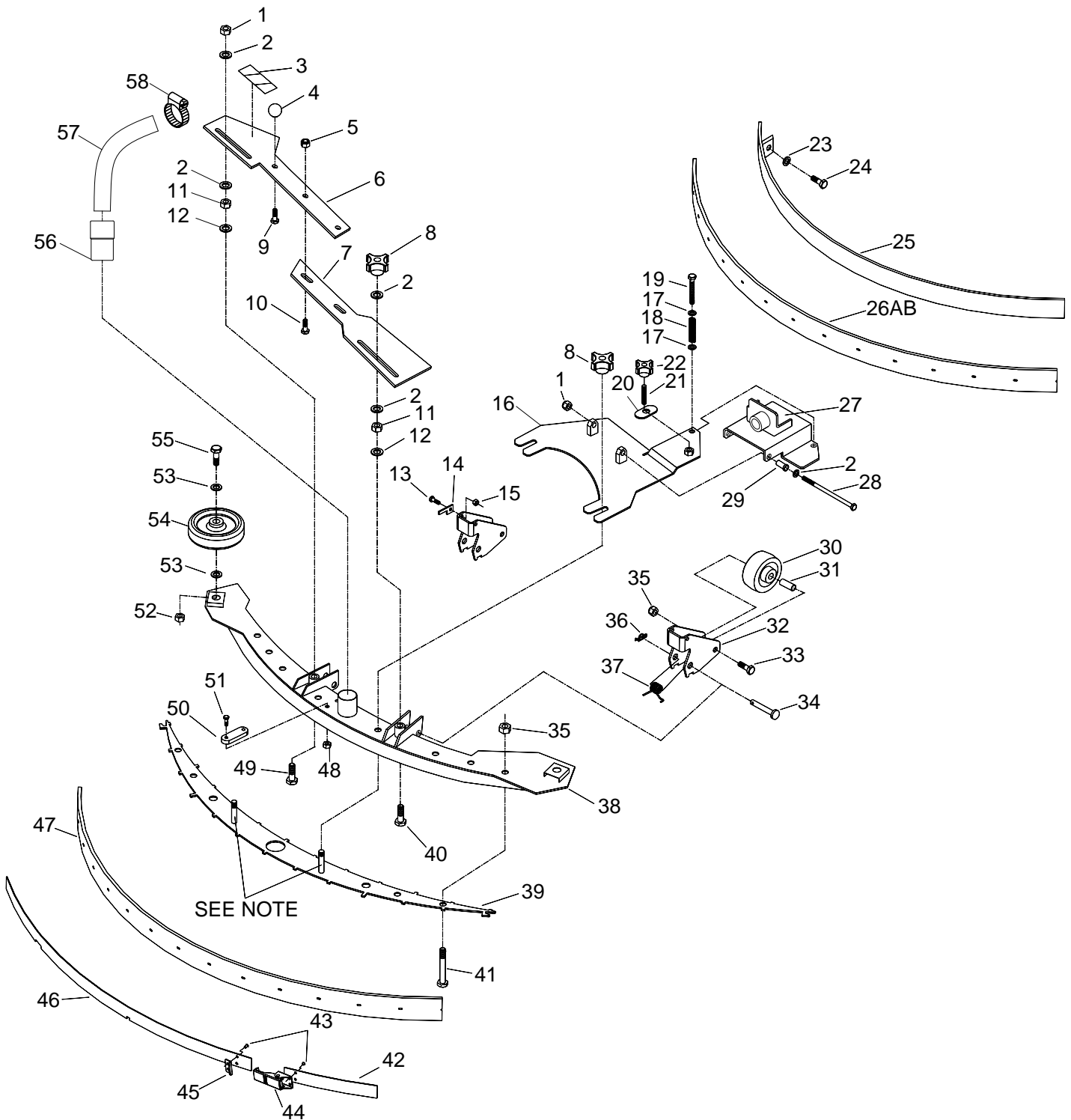
SOLUTION TANK



SOLUTION TANK

REF	PART NO.	PRV NO.	QTY	DESCRIPTION	SERIAL NO. FROM	NOTES:
1	86009480	82016	4	HOSEBARB, 1/2 MPT X 1/2 PVC		
2	86233150	20042	7	CLAMP, 3/8 HOSE (D-SLOT)		
3	86281720	39495	2	HOSE, 5/8" VINYL X 3"		
4	86010390	830883	2	STRAINER, 1/2 FPT 20 MESH		
5	86001610	40080	1	HOSEBARB, 1/2 MPT X 5/8 90D		
6	86009420	81913	2	HOSEBARB, 3/4 MPT X 5/8H 90D		
7	86264940	27051	1	CABLE TIE, 11.38" UL/CSA		
8	86198050	81923	1	TEE, 3/4 FPT		
9	86236860	82362	1	FTG, NIPPLE REDUCER 3/4"		
10	86282020	39556	1	HOSE, 5/8" VINYL X 34.0"		
11	86009690	82266	1	FTG, COUPLING, 1/2" COPPER		
12	86233110	20018	1	CLAMP, 1.0" WORM GEAR		
13	86008400	78499	1	TETHER, DRAIN PLUG		
14	86009700	82267	1	PLUG, 5/8" DRAIN HOSE		
15	86032790	75433	1	TANK, SOLUTION		
16	86002870	27417	1	CORD, 99807 1/8 X 12"		
17	86063980	82891	1	COVER, SOLUTION TANK		
18	86238170	82890	1	GASKET, TANK COVER		
19	86073680	831053	1	BRKT, CABLE SUPPORT		
20	86010760	87142	2	WASHER, .344 X .69 X .066 FLAT		
21	86277040	70781	2	SCR, 5/16-18 X 1/2 HHCS SS NP		
22	86279210	87102	4	WASHER, 5/16 ID X 1/ 1/4 OD		
23	86279130	87083	2	WASHER, 5/16 SPLIT LOCK PLTD		
24	86276780	70728	2	SCR, 5/16-18 X 3/4 HHCS SS		

SQUEEGEE - STANDARD



NOTE: APPLY ANTI-SEIZE AS NECESSARY.

SQUEEGEE - STANDARD

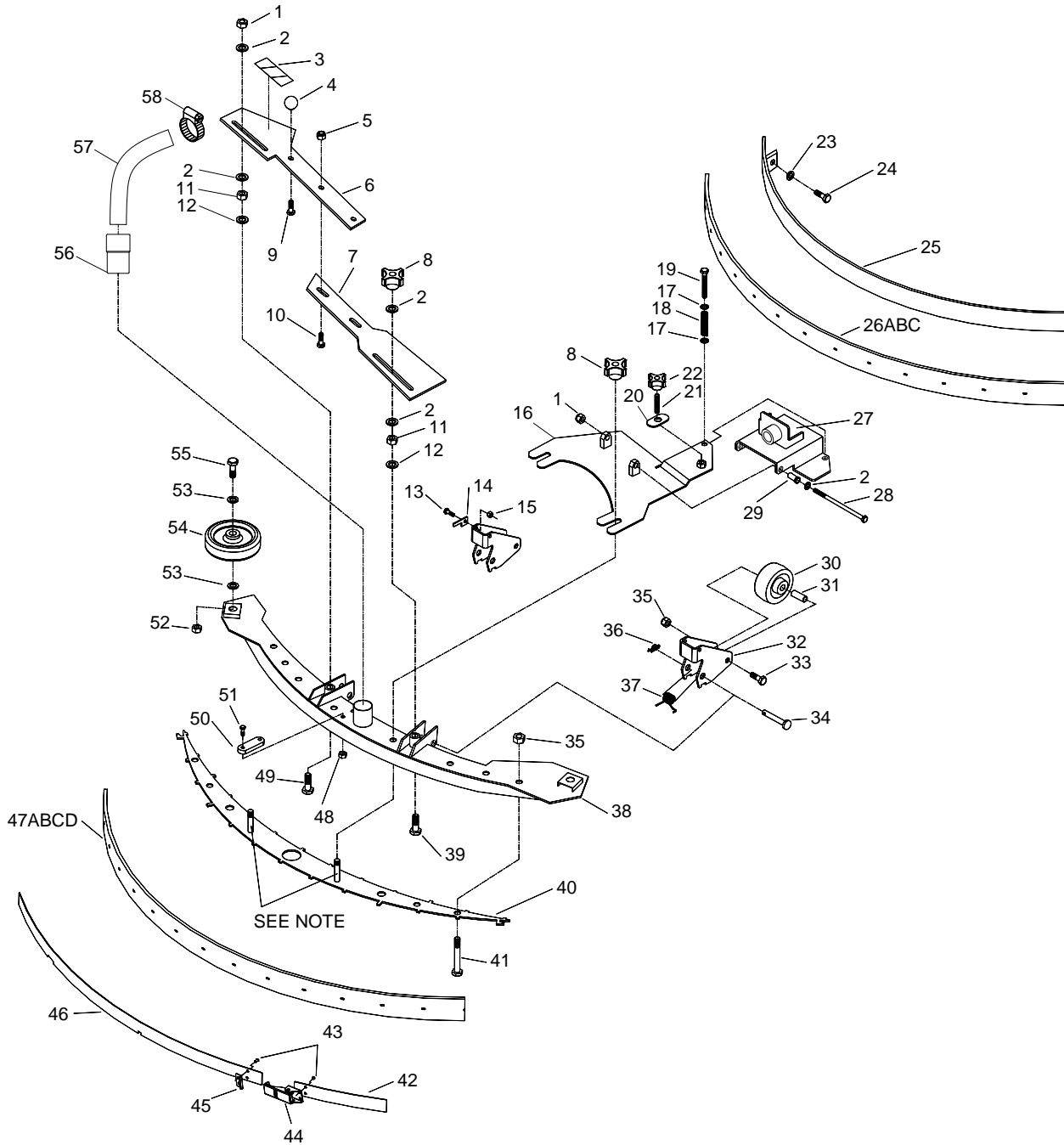
REF	PART NO.	PRV NO.	QTY	DESCRIPTION	SERIAL NO. FROM	NOTES:
1	86005630	57022	2	NUT, 3/8-16 HEX NYLOCK THIN SS		
2	86010770	87143	6	WASHER, 7/16 ID X 1 D X .08 FLT SS		
3	86248230	82644	1	OVERLAY, SQUEEGEE		
4	86242180	82922	1	KNOB, 1" BALL 5/16-18 INSERT		
5	86005810	57245	2	NUT, 1/4-20 HEX NYLOCK SS		
6	86085960	830914	1	PLATE, SLIDE SQU. LONG		
7	86085950	830913	1	PLATE, SLIDE SQU. SHORT		
8	86009200	81535	3	KNOB, 3/8-16 4 PRONG ALUM.		
9	86276780	70728	1	SCR, 5/16-18 X 3/4 HHCS SS		
10	86276950	70772	2	SCR, 1/4-20 X 3/4 CARRIAGE SS		
11	86005690	57085	2	NUT, 3/8-16 HEX JAM		
12	86279010	87024	2	WASHER, 3/8 STAR SS		
13	86274070	70086	1	SCR, 10-24 X 1/2 PPHMS		
14	86263820	82799	1	PLATE, POINTER		
15	86271770	57252	1	NUT, 10-24 HEX NYLOCK SS		
16	86093190	830917	1	LOWER, SQU. MNT. ASM, FLX2		
17	86278910	87003	2	WASHER, 3/8 ID X 7/8 OD SS		
18	86010430	830923	1	SPRING, COMP., .72 OD X 3.5 O		
19	86276480	70657	1	SCR, 3/8-16 X 3.5 HHCS SS		
20	86066710	140403	1	BAR, SQUEEGEE ADJ. LOCKING		
21	86088260	70713	1	STUD, 3/8-16 X 2.12 SS		
22	86242190	831017	1	KNOB, 3/8-16 BLD INSERT 4 PRNG		
23	86270930	57065	1	NUT, 1/4-20 JAM SS		
24	86276680	70714	1	SCR, 1/4-20 X 1.5 HHMS SS		
25	86256410	831186	1	STRAP ASM., SQ FRT		
26A	86010470	831176	1	SQUEEGEE, FRONT BLADE LINATEX		STANDARD
26B	86137010	831067	REF	SQU., FRT BLADE (BTTNS)		OPTION
27	86026730	831056	1	UP. SQ. MNT. ASM., STAND W/BRG		
28	86276670	70712	2	SCR, 3/8-16 X 6.0 HHCS SS		
29	86008870	80815	2	BEARING, FLANGED 3/8" ID 11/16"		
30	86011020	89202	2	WHEEL, 3" DIA CUSHION RUBBER		
31	86001350	140390	2	BUSHING, SPANNER .435 X 1.10		
32	86069030	140275	2	BRKT, SQUEEGEE WHEEL SUPPORT		
33	86276790	70732	2	SCR, 5/16-18 X 1.75 HHCS SS		
34	86008720	80637	2	PIN, CLEVIS 3/8" X 2.375" PLTD		
35	86270830	57023	8	NUT, 5/16-18 HEX NYLOCK SS		
36	86008670	80606	2	COTTER, 3/8" RING		
37	86008000	73887	2	SPRING, 120 DEGREE TORSION		
38	86094510	831189	1	TOP SQUEEGEE PLATE ASM.		
39	86250060	831190	1	PLATE ASM., SQ BOT		
40	86273730	70006	1	SCR, 3/8-16 X 2.5 HHCS		
41	86276690	70715	6	SCR, 5/16-18 X 1.75 CARRIAGE SS		
42	86094450	831183	1	STRAP ASM, SQ. REAR SHORT		
43	86006400	67380	4	RIVET, 5/32 OF X 1/8 GRIP		
44	86009170	81488	1	LATCH, SQUEEGEE STRAP		
45	86009180	81489	1	STRIKER, SQUEEGEE STRAP REAR		
46	86094440	831182	1	STRAP ASM, SQ. REAR LONG		
47	86010460	831175	1	SQUEEGEE, REAR BLADE LINATEX		STANDARD

THIS PAGE LEFT BLANK INTENTIONALLY

SQUEEGEE - STANDARD

REF	PART NO.	PRV NO.	QTY	DESCRIPTION	SERIAL NO. FROM	NOTES:
48	86270850	57026	2	NUT, 8-32 HEX NYLOCK SS		
49	86276430	70647	1	SCR, 3/8-16 X 1.75 HHCS SS		
50	86009910	82576	1	VIAL, LEVEL		
51	86276660	70711	2	SCR, 8-32 X 1.25 FHMS SS		
52	86271090	57118	2	NUT, 1/2-13 HEX NYLOCK		
53	86279440	87160	4	WASHER, 1/2 FLAT PLTD		
54	86010920	89099	2	WHEEL, 6 X 1 X .5 GRY		
55	86275020	70341	2	SCR, 1/2-13 X 2.5 HHCS GR5 PLTD		
56	86009380	81866	1	CUFF, 2" ID VAC-U-FLEX HOSE		
57	86009430	81931	1	HOSE, 2" VAC X 47"		
58	86233430	81431	1	CLAMP, 2.50 WORM GEAR		

SQUEEGEE - TIGHT



NOTE: APPLY ANTI-SEIZE AS NECESSARY.

SQUEEGEE - TIGHT

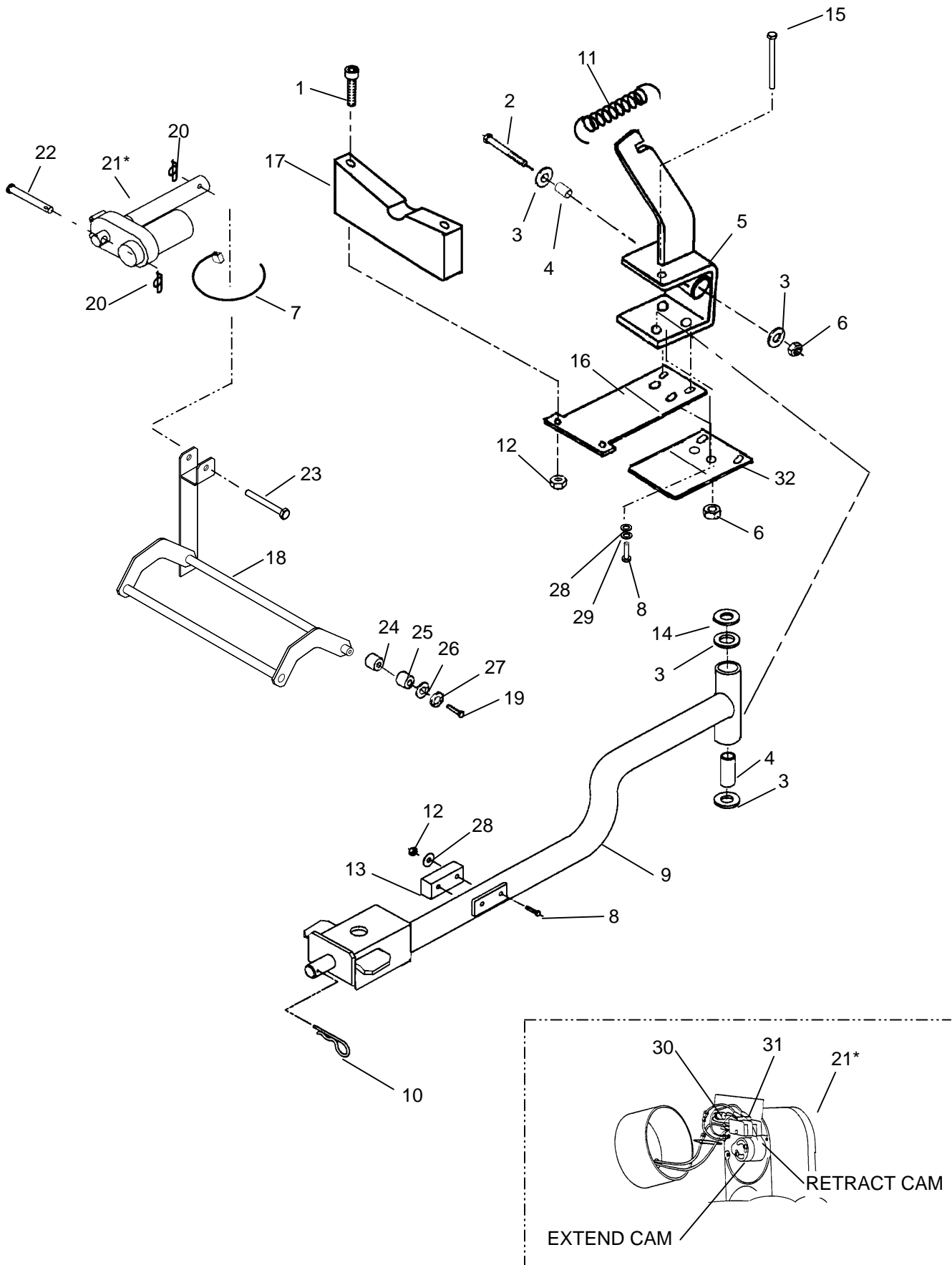
REF	PART NO.	PRV NO.	QTY	DESCRIPTION	SERIAL NO. FROM	NOTES:
1	86005630	57022	2	NUT, 3/8-16 HEX NYLOCK THIN SS		
2	86010770	87143	6	WASHER, 7/16 ID X 1 D X .08 FLT SS		
3	86248230	82644	1	OVERLAY, SQUEEGEE		
4	86242180	82922	1	KNOB, 1" BALL 5/16-18 INSERT		
5	86005810	57245	2	NUT, 1/4-20 HEX NYLOCK SS		
6	86085960	830914	1	PLATE, SLIDE SQU. LONG		
7	86085950	830913	1	PLATE, SLIDE SQU. SHORT		
8	86009200	81535	3	KNOB, 3/8-16 4 PRONG ALUM.		
9	86276780	70728	1	SCR, 5/16-18 X 3/4 HHCS SS		
10	86276950	70772	2	SCR, 1/4-20 X 3/4 CARRIAGE SS		
11	86005690	57085	2	NUT, 3/8-16 HEX JAM		
12	86279010	87024	2	WASHER, 3/8 STAR SS		
13	86274070	70086	1	SCR, 10-24 X 1/2 PPHMS		
14	86263820	82799	1	PLATE, POINTER		
15	86271770	57252	1	NUT, 10-24 HEX NYLOCK SS		
16	86093190	830917	1	LOWER, SQU. MNT. ASM, FLX2		
17	86278910	87003	2	WASHER, 3/8 ID X 7/8 OD SS		
18	86010430	830923	1	SPRING, COMP., .72 OD X 3.5 O		
19	86276480	70657	1	SCR, 3/8-16 X 3.5 HHCS SS		
20	86066710	140403	1	BAR, SQUEEGEE ADJ. LOCKING		
21	86088260	70713	1	STUD, 3/8-16 X 2.12 SS		
22	86242190	831017	1	KNOB, 3/8-16 BLD INSERT 4 PRNG		
23	86270930	57065	1	NUT, 1/4-20 JAM SS		
24	86276680	70714	1	SCR, 1/4-20 X 1.5 HHMS SS		
25	86256400	830904	1	STRAP ASM., SQ FRT		
26A	86010410	830915	1	SQUEEGEE, FRONT BLADE LINATEX		STANDARD
26B	86136970	831058	REF	SQU., FRT BLADE (TILE)		OPTION
26C	86136980	831059	REF	SQU., FRT BLADE (BTTNS)		OPTION
27	86028710	831057	1	UP. SQ. MNT. ASM., MOD W/BRG		
28	86276670	70712	2	SCR, 3/8-16 X 6.0 HHCS SS		
29	86008870	80815	2	BEARING, FLANGED 3/8" ID 11/16"		
30	86011020	89202	2	WHEEL, 3" DIA CUSHION RUBBER		
31	86001350	140390	2	BUSHING, SPANNER .435 X 1.10		
32	86069030	140275	2	BRKT, SQUEEGEE WHEEL SUPPORT		
33	86276790	70732	2	SCR, 5/16-18 X 1.75 HHCS SS		
34	86008720	80637	2	PIN, CLEVIS 3/8" X 2.375" PLTD		
35	86270830	57023	8	NUT, 5/16-18 HEX NYLOCK SS		
36	86008670	80606	2	COTTER, 3/8" RING		
37	86008000	73887	2	SPRING, 120 DEGREE TORSION		
38	86094500	830892	1	TOP SQUEEGEE PLATE ASM.,		
39	86273730	70006	1	SCR, 3/8-16 X 2.5 HHCS		
40	86010400	830902	1	PLATE ASM., SQ BOT		
41	86276690	70715	6	SCR, 5/16-18 X 1.75 CARRIAGE SS		
42	86094430	830909	1	STRAP ASM, SQ. REAR SHORT		
43	86006400	67380	4	RIVET, 5/32 OF X 1/8 GRIP		
44	86009170	81488	1	LATCH, SQUEEGEE STRAP		
45	86009180	81489	1	STRIKER, SQUEEGEE STRAP REAR		
46	86094420	830907	1	STRAP ASM, SQ. REAR LONG F		
47A	86010420	830916	1	SQUEEGEE, REAR BLADE LINATEX		STANDARD
47B	86136990	831060	REF	SQU., REAR BLADE (TILE)		OPTION
47C	86019520	831061	REF	SQU., REAR BLADE (BTTNS)		OPTION
47D	86019160	730064	REF	SQGE BLADE, REAR URETHANE 52.5"		OPTION

THIS PAGE LEFT BLANK INTENTIONALLY

SQUEEGEE - TIGHT

REF	PART NO.	PRV NO.	QTY	DESCRIPTION	SERIAL NO. FROM	NOTES:
48	86270850	57026	2	NUT, 8-32 HEX NYLOCK SS		
49	86276430	70647	1	SCR, 3/8-16 X 1.75 HHCS SS		
50	86009910	82576	1	VIAL, LEVEL		
51	86276660	70711	2	SCR, 8-32 X 1.25 FHMS SS		
52	86271090	57118	2	NUT, 1/2-13 HEX NYLOCK		
53	86279440	87160	4	WASHER, 1/2 FLAT PLTD		
54	86010920	89099	2	WHEEL, 6 X 1 X .5 GRY		
55	86275020	70341	2	SCR, 1/2-13 X 2.5 HHCS GR5 PLTD		
56	86009380	81866	1	CUFF, 2" ID VAC-U-FLEX HOSE		
57	86009430	81931	1	HOSE, 2" VAC X 47"		
58	86233430	81431	1	CLAMP, 2.50 WORM GEAR		

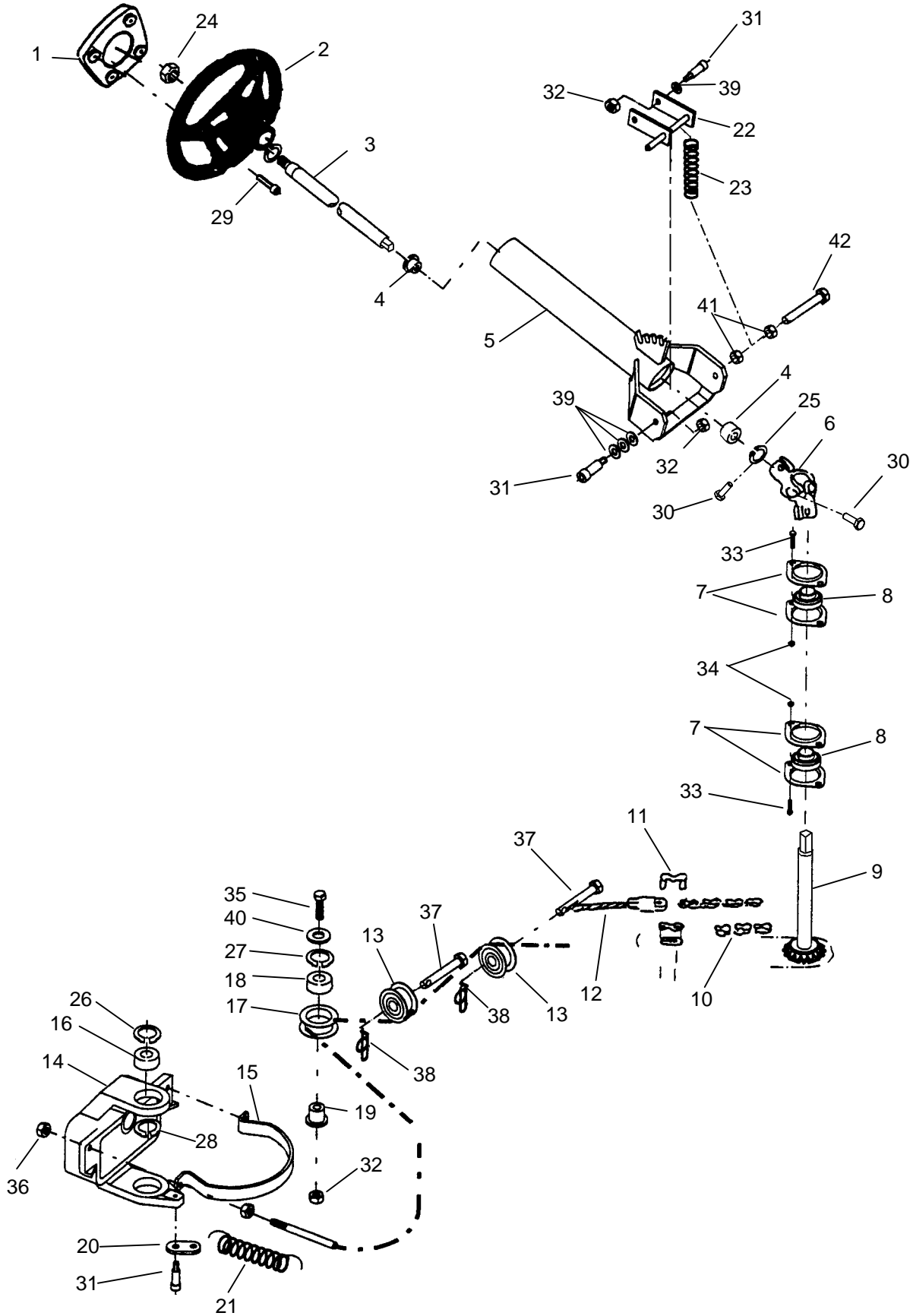
SQUEEGEE LIFT



SQUEEGEE LIFT

REF	PART NO.	PRV NO.	QTY	DESCRIPTION	SERIAL NO. FROM	NOTES:
1	86275160	70371	2	SCR, 1/4-20 X 2.5 SCHS		
2	86275600	70509	1	SCR, 3/8-16 X 4 HHCS GR5		
3	86009100	81396	4	WASHER FIBERGLIDE 1/2" X 1" OD		
4	86254610	81828	2	SPACER, .500 OD X .344 ID X 2.875		
5	86026620	830219	1	SQUEEGEE LIFT ARM ASM		
6	86271930	57297	2	NUT, 3/8-16 HEX NYLOCK SS		
7	86002830	27196	1	CABLE TIE		
8	86273810	70018	4	SCR, 1/4-20 X 1 HHCS SS		
9	86010450	831055	1	SQUEEGEE ARM ASM		
10	86272600	80657	1	PIN, COTTER HAIR .148 DIA X 3/4		
11	86255530	82199	1	SPRING, EXT 1. OD X 8.0 L		
12	86005810	57245	4	NUT, 1/4-20 HEX NYLOCK SS		
13	86229890	81028	1	BLOCK, SLIDE		
14	86279260	87119	1	WASHER, .51 ID X 1.0 OD X .060 PLTD		
15	86275510	70494	1	SCR, 3/8-16 X 4.5" HHS GR5 PLTD		
16	86085400	82462	1	PLATE, SQU. RET. SPRING		
17	86229910	82443	1	BLOCK SQUEEGEE RETAINING		
18	86095130	81716	1	WELDMENT, SQUEEGEE LIFT		
19	86275190	70377	2	SCR, 3/8-16 X 1.25 HHCS GR5 PLTD		
20	86008670	80606	2	COTTER, 3/8" RING		
21	86010250	830035	1	ACTUATOR, 36V 3" STROKE		
22	86272410	66233	1	PIN, COTTER 3/8" X 1.625 PLTD		
23	86248970	81406	1	PIN, CLEVIS 3/8 X 2		
24	86229230	81377	2	BEARING, FIBER 1/2 ID X 3/8 L		
25	86254520	80101	2	SPACER, 1/2 OD X .391 D X .70 L		
26	86010770	87143	2	WASHER, 7/16 ID X 1 D X .08 FLAT		
27	86010790	87163	2	WASHER, 3/8 SPLIT LOCK		
28	86010630	87013	4	WASHER, 1/4 ID X 5/8 OD SS		
29	86010780	87162	2	WASHER, SPLIT LOCK		
30	86235230	29176	1	DIODE, ASM, FASCO ACTUATOR		AVAILABLE IN KIT #47174
31	86256890	72122	1	SWITCH, L2020 TRAVEL LIMIT		AVAILABLE IN KIT #47174
32	86085410	82463	1	PLATE, RET. DBLR SPRING		

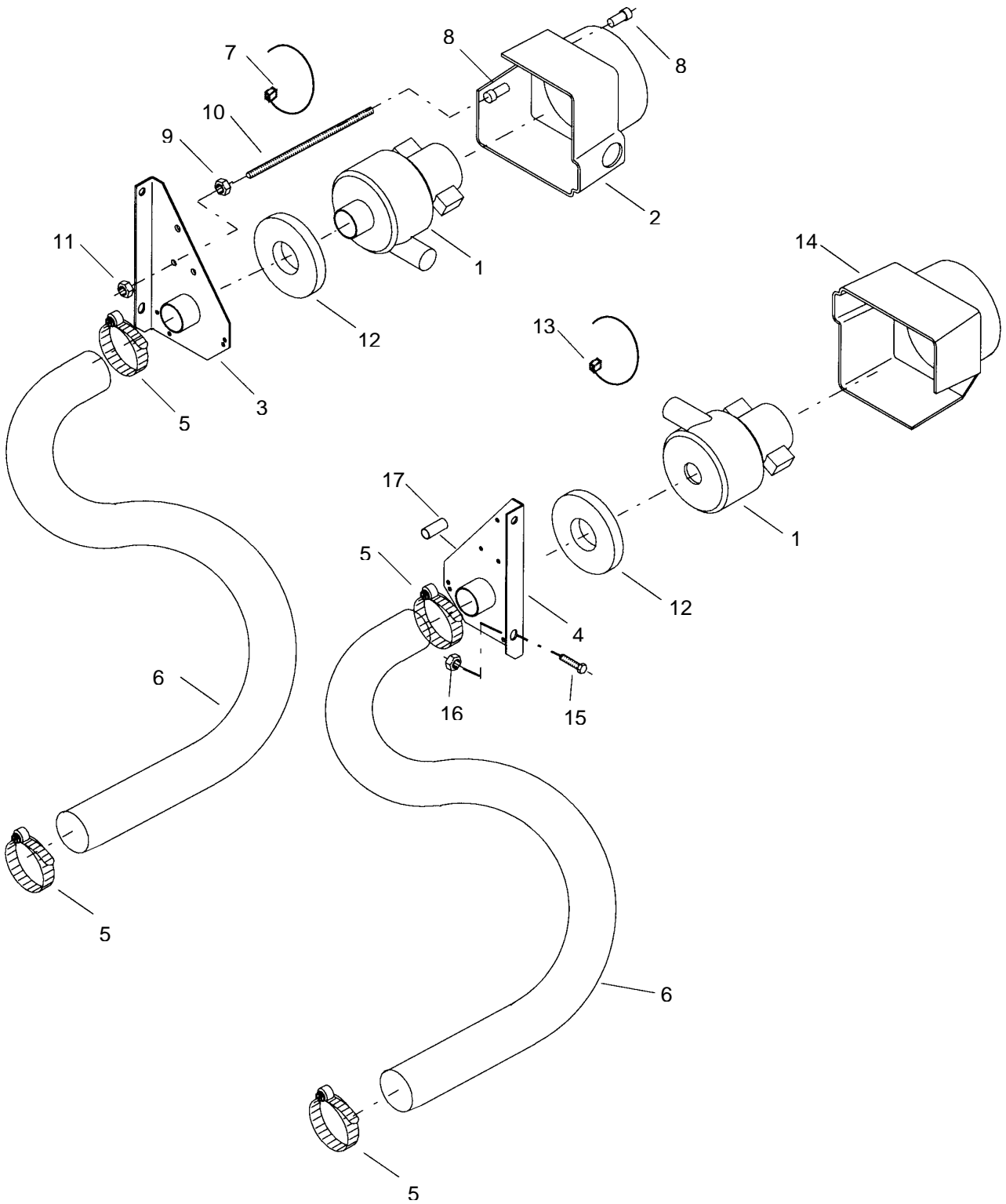
STEERING



STEERING

REF	PART NO.	PRV NO.	QTY	DESCRIPTION	SERIAL NO. FROM	NOTES:
1	86062430	27748	1	COVER, STEERING WHEEL		
2	86259620	80617R	1	WHEEL, STEERING		
3	86253480	830826	1	SHAFT, UPPER STEERING		
4	86228670	09072	2	BEARING. 3/4" BORE FLANGED		
5	86094350	830822	1	STEERING COLUMN		
6	86258320	45010	1	JOINT, UNIVERSAL		
7	86008610	80595	4	FLANGE, BEARING		
8	86000940	09070	2	BEARING, FLANGED		
9	86094360	830824	1	STEERING SHAFT		
10	86009360	81863	1	CHAIN, #41 1/2 PITCH X 36		
11	86009400	81873	2	CHAIN, #41 1/2 MASTER LINK		
12	86009270	81632	2	CABLE, STEERING		
13	86250870	81861	4	PULLEY, CABLE		
14	86279200	81567	1	PIVOT, MACHINED		
15	86228260	81579	1	BAR, STEERING CABLE		
16	86000970	09079	2	BEARING, BALL 205 PP SEALED		
17	86250860	81631	1	PULLEY, SPLITTER		
18	86228760	09084	1	BEARING, BALL 204 PP SEALED		
19	86254600	81633	1	SPACER, PULLEY STEERING		
20	86228270	81590	1	BAR, SPRING PIVOT		
21	86255470	81591	1	SPRING EXT. 2.2D X 6.0L X .262W		
22	86095080	81623	1	WELDMENT, STEERING TILT LOCK		
23	86255490	81977	1	SPRING EXT. .50D X 3.0L X .046W		
24	86271610	57228	1	NUT, 5/8-18 HEX NYLOCK THIN		
25	86272900	67416	2	RING, 3/4" KLIP		
26	86272940	80665	2	RING, RETAINING 2.06 INTERNAL		
27	86272950	81859	1	RING, RETAINING INT 1.85		
28	86272880	67270	1	RING, 1.0 EXT. SNAP HD		
29	86275080	70353	4	SCR, 10-32 X 3/4 SHCS		
30	86276550	70681	2	SCR, M10 X 40 HHCS		
31	86278320	70598	5	SHOULDER BOLT, 1/2 OF X 1/2L		
32	86271930	57297	5	NUT, 3/8-16 HEX NYLOCK SS		
33	86276780	70728	4	SCR, 5/16-18 X 3/4 HHCS SS		
34	86270830	57023	4	NUT, 5/16-18 HEX NYLOCK SS		
35	86274660	70255	1	SCR, 3/8-16 X 1 1/2 HHCS		
36	86005800	57217	4	NUT, 3/8-16 HEX JAM		
37	86272400	66232	4	PIN, CLEVIS 3/8 X 1.5		
38	86008670	80606	4	COTTER, 5/16" RING		
39	86279260	87119	8	WASHER.53 ID X 1.0 OD X .06 PLTD		
40	86010720	87086	1	WASHER, M10 X 30 PLTD		
41	86005810	57245	2	NUT, 1/4-20 HEX NYLOCK SS		
42	86275570	70505	1	SCR, 1/4-20 X 1 HHCS GR5 PLTD DL		

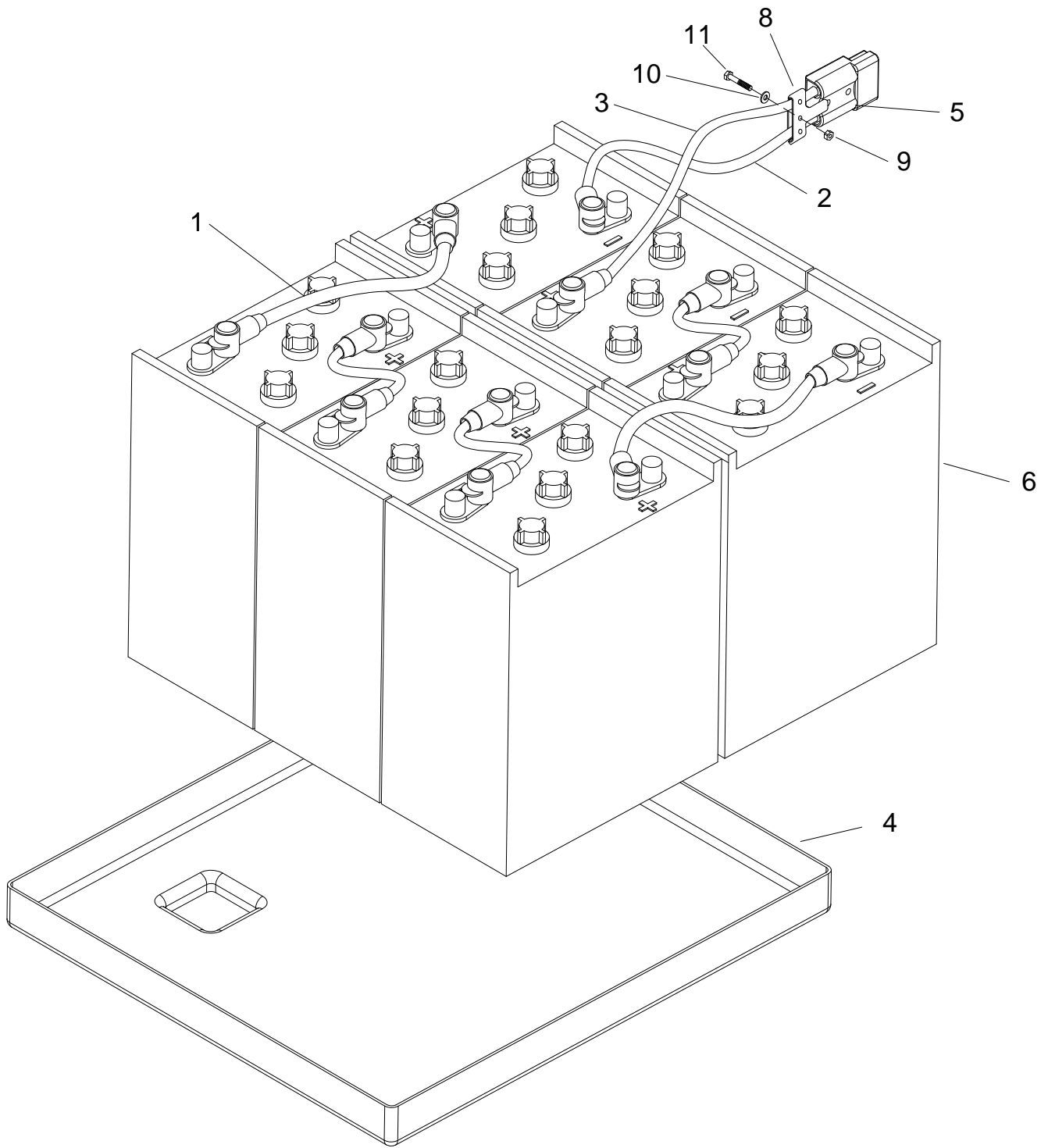
VACUUM



VACUUM

REF	PART NO.	PRV NO.	QTY	DESCRIPTION	SERIAL NO. FROM	NOTES:
1	86005450	53799	2	VAC MOTOR ASM, 36VDC 3 STAGE		
-	86230800	140550	1	BRUSH SET, VAC MOTOR AMETEK		SERVICE ONLY
-	86135310	140686	1	BRUSH SET, VAC 24V/36V WINDSOR		SERVICE ONLY
2	86009460	81995	1	COVER, VAC MOTOR RT		
3	86094850	80413	1	WELDMENT, VAC MOUNT RH		
4	86094860	80414	1	WELDMENT, VAC MOTOR LH		
5	86233430	81431	4	CLAMP, 2.50 WORM GEAR		
6	86240780	81864	2	HOSE, 2" VAC X 17"		
7	86264920	27049	2	CABLE TIE, 7" UL/CSA		
8	86005620	57021	10	NUT, 1/4-20 X .962 WELL		
9	86270930	57065	6	NUT, 1/4-20 JAM SS		
10	86009030	81285	6	ROD, VAC MOUNT		
11	86005810	57245	6	NUT, 1/4-20 HEX NYLOCK SS		
12	86003720	35011	2	GASKET, 3/8T 5.7 VAC FAN SEAL		
13	86002830	27196	2	CABLE TIE, .375 X 24.7		
14	86063930	81996	1	COVER, VAC MOTOR LEFT		
15	86275010	70340	4	SCR, 1/2-13 X 1.25 HHCS GR5 PLTD		
16	86271750	57250	4	NUT, 1/2-13 NYLOCK THIN SS		
17	86279950	81173	1	EDGING, 2.5" L		

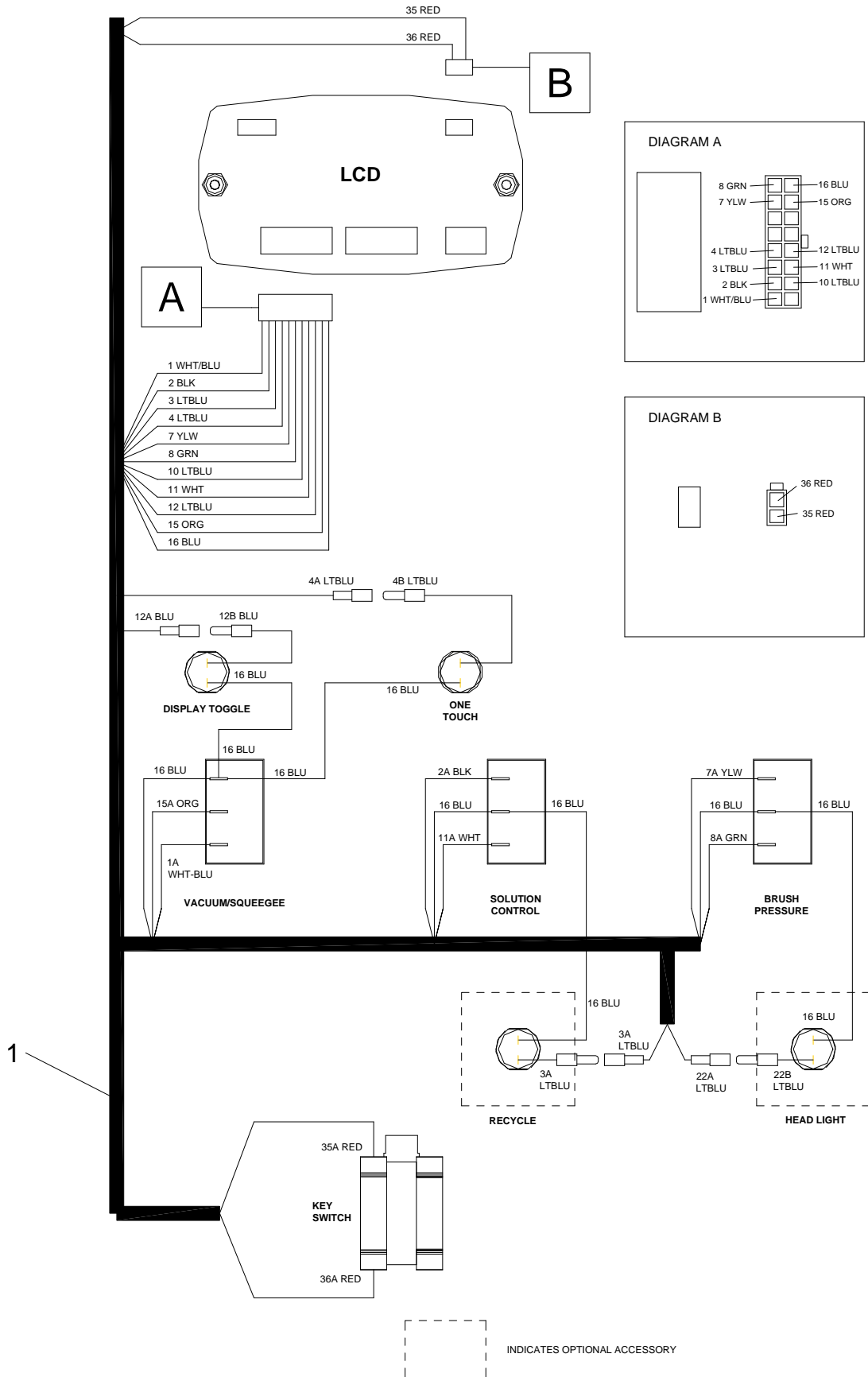
WIRING - BATTERY



WIRING - BATTERY

REF	PART NO.	PRV NO.	QTY	DESCRIPTION	SERIAL NO. FROM	NOTES:
1	86002510	23125	5	WIRE, 4 X 15 BCLAMP X BCLAMP		
2	86002570	23190	1	CABLE, 4 X 27 RD BCLAMP X CTERM		
3	86002580	23191	1	CABLE, 4 X 27 BK BCLAMP X CTERM		
4	86064710	82028	1	TRAY, BATTERY 24.1 X 21.5 X 2.2		
5	86008760	80682	1	CONNECTOR, BATTERY GRY 175AMP		
6	86228380	10012	REF	BATTERY, 6V 360AH		6 REQUIRED
7	86284080	02455	REF	CHARGER, 36V 36A 115V C175		NOT SHOWN
8	86233360	28038	1	CLAMP, CABLE KIT SY945		
9	86270890	57034	1	NUT, ACORN #10-32		
10	86010650	87018	1	WASHER, #10 X 9/16 O.D.		
11	86273980	70066	1	SCR, 10-32 X 3/4 PPHMS SS		

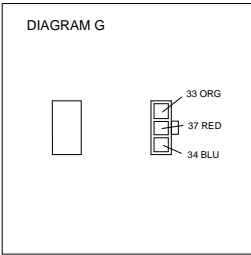
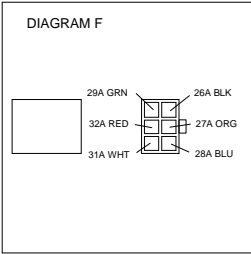
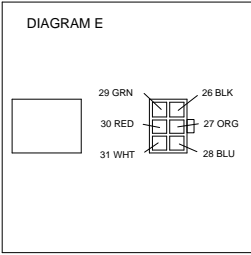
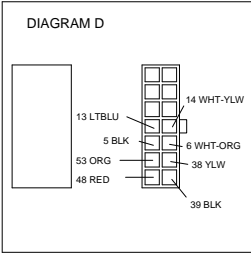
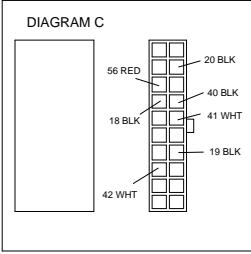
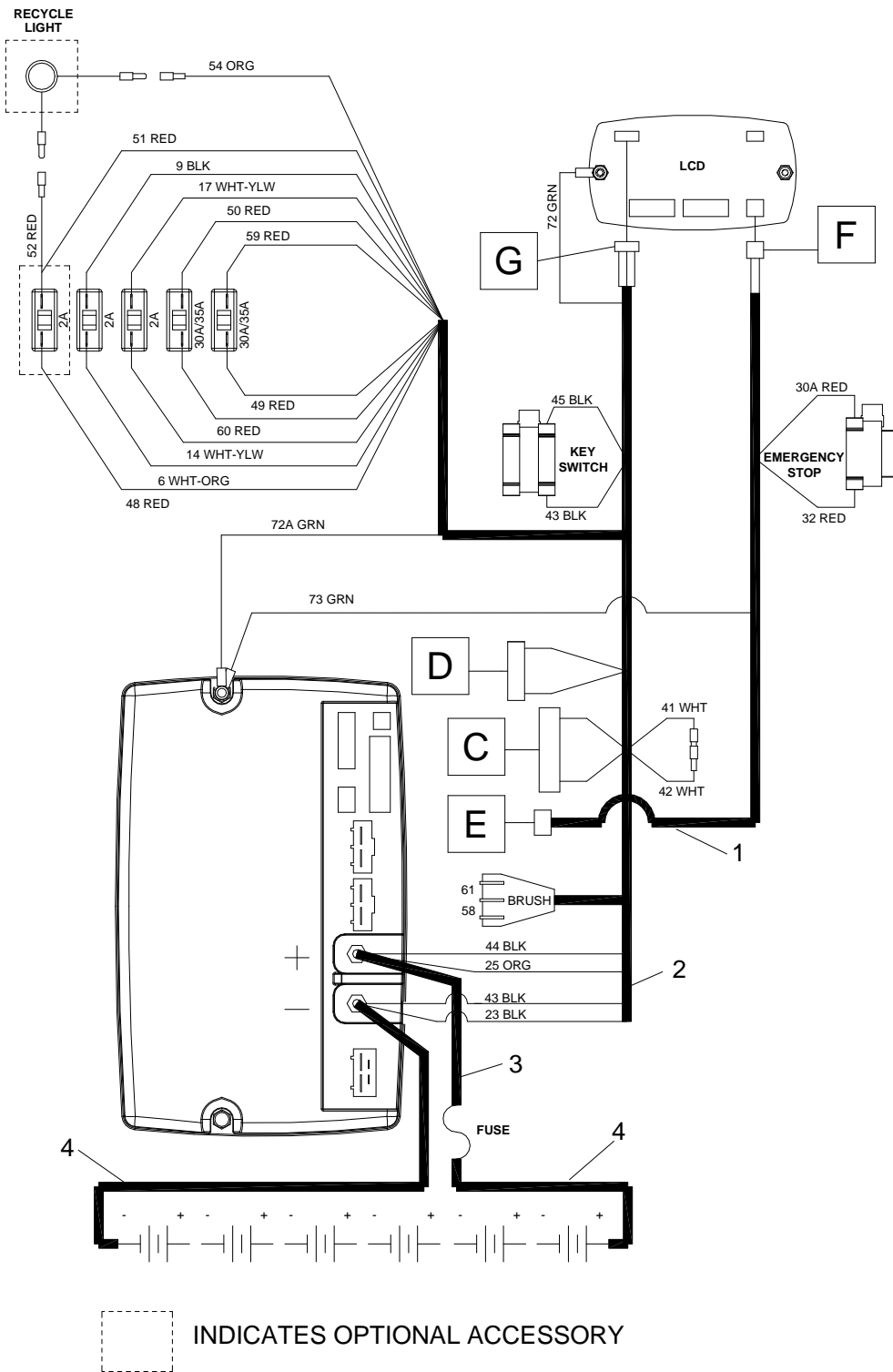
WIRING – CONTROL PANEL



WIRING – CONTROL PANEL

REF	PART NO.	PRV NO.	QTY	DESCRIPTION	SERIAL NO. FROM	NOTES:
1	86239490	880378	1	HARNESS, CONTROL		

WIRING – ELECTRICAL PANEL

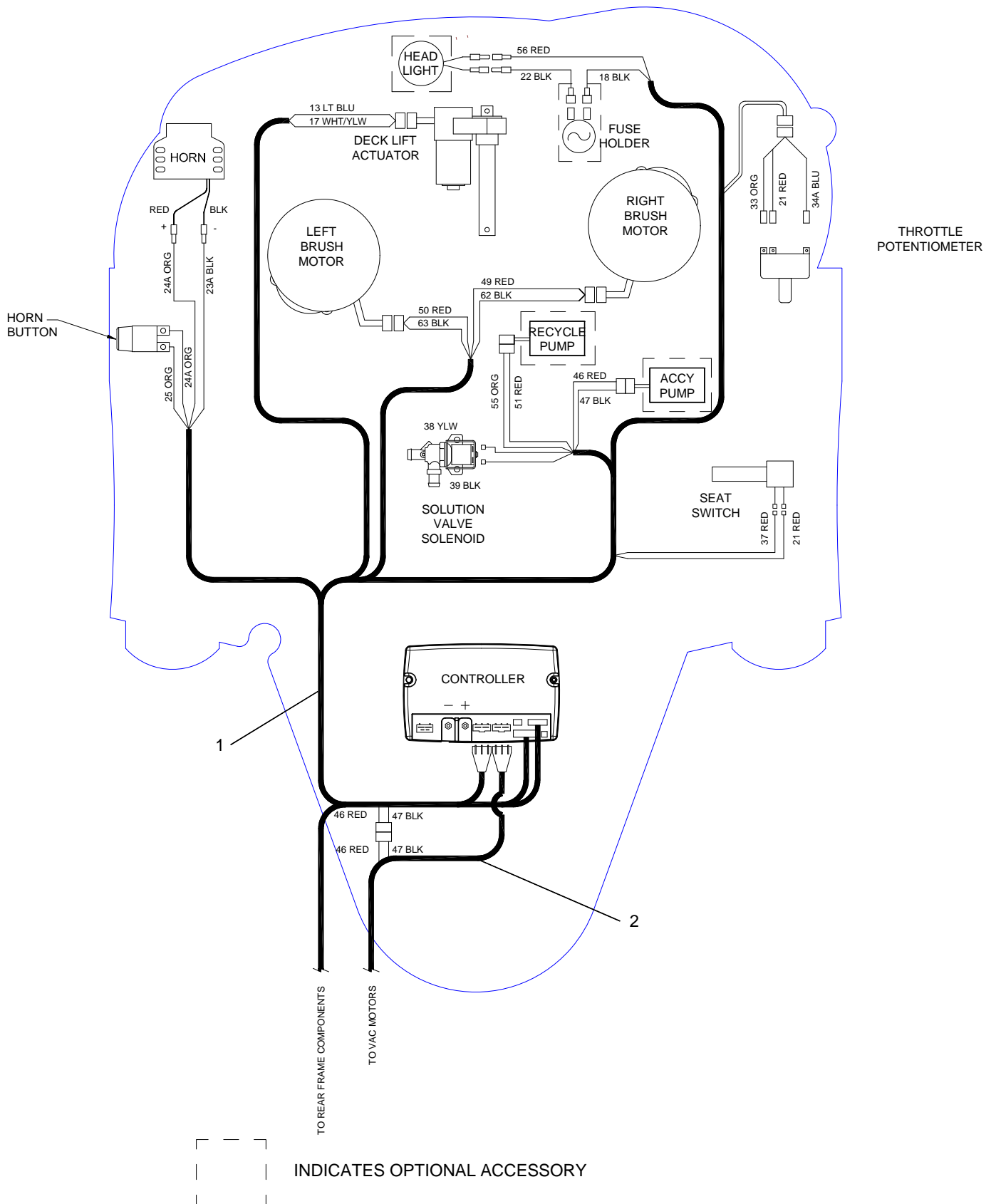


WIRING - ELECTRICAL PANEL

REF	PART NO.	PRV NO.	QTY	DESCRIPTION	SERIAL NO. FROM	NOTES:
1	86239070	41475	1	HARNESS, LCD FLEXCAT3		
2	86239050	41470	1	HARNESS, MAIN FLX3		
3	86009000	81131	1	WIRE, 4 X 9.5BK 5/16 RING X 5/16 RING		
4	86232020	830955	2	CABLE, 4GA BLACK X 96.0"		

NOTE: Maximum speed of machine can be decreased to 80% of maximum by disconnecting wire 41 white from wire 42 white. Machine is set at 100% speed setting at factory.

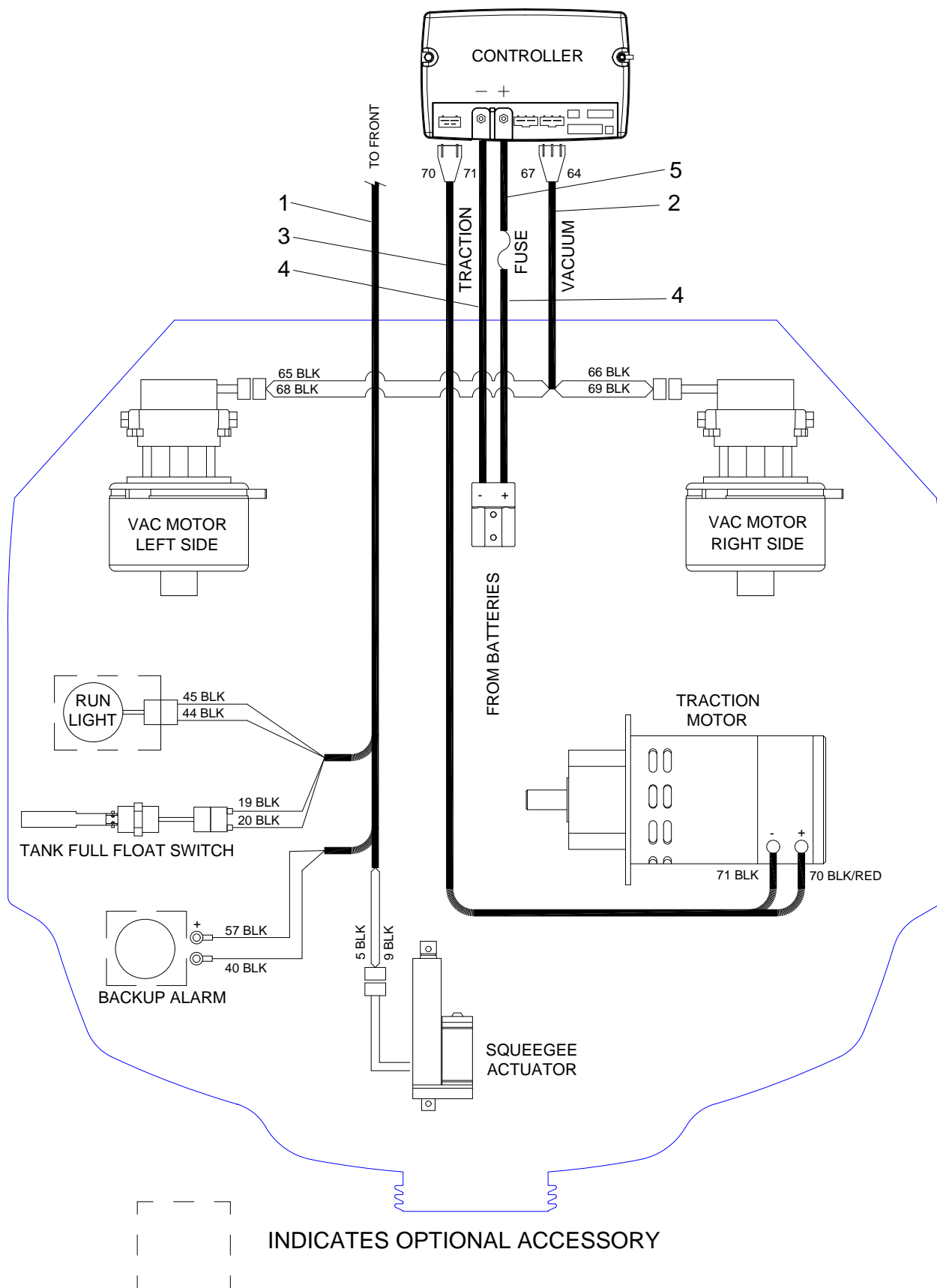
WIRING - FRONT FRAME



WIRING – FRONT FRAME

REF	PART NO.	PRV NO.	QTY	DESCRIPTION	SERIAL NO. FROM	NOTES:
1	86239050	41470	REF	HARNESS, MAIN FLX3		
2	86004520	41472	1	HARNESS, VAC FLX3		

WIRING – REAR FRAME



WIRING – REAR FRAME

REF	PART NO.	PRV NO.	QTY	DESCRIPTION	SERIAL NO. FROM	NOTES:
1	86239050	41470	REF	HARNESS, MAIN FLX3		
2	86004520	41472	REF	HARNESS, VAC FLX3		
3	86239060	41471	1	HARNESS, TRACTION FLX3		
4	86232020	830955	REF	CABLE, 4GA BLACK X 96.0"		
5	86009000	81131	REF	WIRE, 4 X 9.5BK 5/16 RING X 5/16 RING		

SUGGESTED SPARE PARTS

PART NO.	PRV NO.	DESCRIPTION	SERIAL NO. FROM	NOTES:
86236980	34345	FUSE, 200 AMP		
86007510	730141	SKIRT, 3.5 X 46" EXT		DISK ONLY
86272600	80657	PIN, COTTER HAIR (SQUEEGEE)		
86009600	82191	PIN, COTTER HAIR (SCRUB HEAD)		DISK ONLY
86010410	830915	SQU. FRONT BLADE LINATEX		
86010420	830916	SQU. REAR BLADE LINATEX		
86004860	48073	KEY, SWITCH		
86005450	53799	VAC MOTOR ASM, 36VDC 3 STAGE		
86010390	830883	STRAINER, 1/2 FPT 20 MESH		
86009200	81535	KNOB, 3/8-16 4 PRONG		
86003520	34140	FILTER, VAC INTAKE 10 MESH		
86230800	140550	BRUSH SET, VAC MOTOR AMETEK		
86135310	140686	BRUSH SET, VAC 24V/36V WINDSOR		
86010350	830670	BELT, CYL BRUSH DRIVE		
86009240	81555	SQUEEGEE, SIDE CYL SCRUB		
86009270	81632	CABLE, STEERING		
86007460	730122	SWITCH, FLOAT		
86001450	140541	BREAKER, 2A 250VAC 50 VDC		



Manufacturers of Innovative Building Maintenance Equipment

Windsor Industries, Inc.
1351 West Stanford Avenue
Englewood, CO 80110 USA

Phone: 303.762.1800
FAX: 303.762.0817
<http://www.windsorind.com>

EC Declaration of Conformity

We herewith declare, Windsor Industries, Inc.
1351 W. Stanford Ave.
Englewood, CO 80110-5545 USA

that the following product complies with the appropriate essential health and safety requirements of the relevant EC Directives listed below, based on the relevant sections of the applicable EC standards and other normative documents.

Product: Flex Cat 3
Flex Cat 3 Tight Scrub

Product Identification: Rated 36 VDC 110 A

Trademark:



Model/Type Ref.: FCAT3
FCAT3T

Product Description: This product is a battery powered, self-propelled, wet floor scrubber intended for commercial use.

Applicable EC Directives: EC Machinery Directive
(89/392/EEC & 91/368/EEC & 93/44/EEC & 93/68/EEC)
EC Low Voltage Directive
(73/23/EEC & 93/68/EEC)
EC Directive of Electromagnetic Compatibility
(89/336/EEC & 93/68/EEC)

Applicable Harmonized Standards: EN 60335-1: 1991
EN 60335-2-67: 1992
EN 60335-2-72: 1995
EN 50081-2: 1993
EN 55011: 1998-05
EN 50082-2: 1994
EN 61000-4-2: 1995
EN 61000-4-3: 1996
ENV 50204: 1995

Authorized Signature

7-17-03
Date

Title of Signature: Vice President, Windsor Industries, Inc.

QUEST ... for Continuous Improvement.
Windsor's Quality Management System is Certified ISO 9001.



Manufacturers of Innovative Building Maintenance Equipment

Windsor Industries, Inc.
1351 West Stanford Avenue
Englewood, CO 80110 USA

Phone: 303.762.1800
FAX: 303.762.0817
http://www.windsorind.com

EC Declaration of Conformity

We herewith declare, Windsor Industries, Inc.
1351 W. Stanford Ave.
Englewood, CO 80110-5545 USA

that the following product complies with the appropriate essential health and safety requirements of the relevant EC Directives listed below, based on the relevant sections of the applicable EC standards and other normative documents.

Product: Flex Cat 3 Scrub Plus
Flex Cat 3 Scrub Plus Tight Scrub

Product Identification: Rated 36 VDC 85 A

Trademark:



Model/Type Ref.: FCATSP3
FCATSP3T

Product Description: This product is a battery powered, self-propelled, wet floor scrubber intended for commercial use.

Applicable EC Directives: EC Machinery Directive
(89/392/EEC & 91/368/EEC & 93/44/EEC & 93/68/EEC)
EC Low Voltage Directive
(73/23/EEC & 93/68/EEC)
EC Directive of Electromagnetic Compatibility
(89/336/EEC & 93/68/EEC)

Applicable Harmonized Standards: EN 60335-1: 1991
EN 60335-2-67: 1992
EN 60335-2-72: 1995
EN 50081-2: 1993
EN 55011: 1998-05
EN 50082-2: 1994
EN 61000-4-2: 1995
EN 61000-4-3: 1996
ENV 50204: 1995

Authorized Signature

7-17-03
Date

Title of Signature: Vice President, Windsor Industries, Inc.

QUEST ... for Continuous Improvement.
Windsor's Quality Management System is Certified ISO 9001.

NOTES