

PARTS LIST

TORNADO[®] AUTOMATIC FLOORKEEPER[®]

CODE NUMBERS

99420 32" SOLID TIRES

99421 32" PNEUMATIC TIRES

99450 36" SOLID TIRES

99451 36" PNEUMATIC TIRES

NOTE: ALL SPECIFICATIONS ARE SUBJECT TO CHANGE WITHOUT NOTICE.



*Preventive
L-230F
maint.
manual*



BREUER[®] ELECTRIC MFG. CO.


7401 W. LAWRENCE AVENUE • CHICAGO, IL 60656-3489



PANELS & COVERS

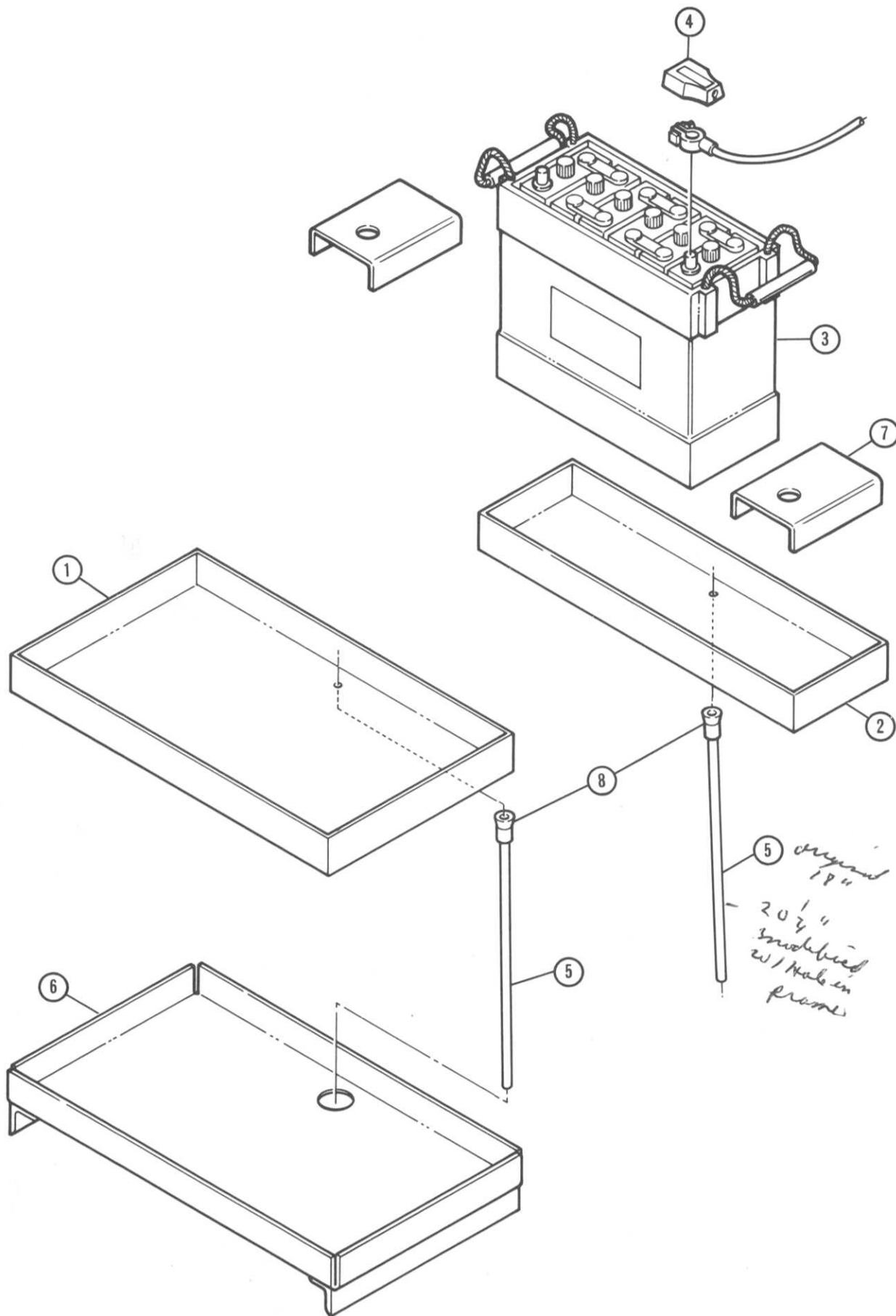
| Item No. | Part No. | Description | Qty. |
|----------|------------------|---------------------------------|------|
| 1 | 15714 | Upper Rear Panel | 1 |
| 2 | 15715 | Lower Rear Panel | 1 |
| * | 15716 | Decal (not shown) <i>Rear -</i> | 1 |
| 3 | 15703 | Upper Side Panel L.H. | 1 |
| 4 | 15705 | Lower Side Panel L.H. | 1 |
| 5 | 15704 | Upper Side Panel R.H. | 1 |
| 6 | 15706 | Lower Side Panel R.H. | 1 |
| 7 | 3660 | Screw | 11 |
| 8 | 10892 | Nut | 11 |
| 9 | 15707 | Decal L.H. (32") <i>-18783</i> | 1 |
| | 15708 | Decal R.H. (32") <i>18784</i> | 1 |
| | 15709 | Decal L.H. (36") <i>18785</i> | 1 |
| | 15710 | Decal R.H. (36") <i>18786</i> | 1 |
| 10 | 10353 | Screw Panel | 35 |
| 11 | 15546 | Nut Panel | 8 |
| 12 | 15545 | Nut Panel | 13 |
| 13 | 15780 | Bar Spreader | 1 |
| 14 | 15789 | Hinge | 2 |
| 15 | 15532 | Cover Top | 1 |
| 16 | 15533 | Cover Battery | 1 |
| 17 | 15640 | Warning Light | 1 |
| 18 | 15791 | Front Spreader | 1 |
| 19 | 15712 | Upper Front Panel | 1 |
| 20 | 15711 | Lower Front Panel | 1 |
| 21 | 2956 | Nut | 2 |
| 22 | 600 | Screw | 2 |
| 23 | 15788 | Latch Cover Bracket | 4 |
| * | 15713 | Decal Front (not shown) | 1 |
| 24 | 2652 | Screw | 8 |
| 25 | 5270 | Nut | 8 |
| 26 | 2217 | Locknut Cover to Hinge | 8 |
| 27 | 6192 | Screw Cover to Hinge | 8 |
| 28 | 15545 | Nut Retainer | 3 |
| 29 | 600 | Screw Warning Light | 2 |
| 30 | 16025 | Hose Bracket <i>16628</i> | 2 |
| 31 | 10353 | Screw | 4 |
| 32 | 3218 | Washer | 4 |
| 33 | 16129 | Nut | 4 |
| 34 | 15763 | Decal Top Cover (Not Shown) | 1 |
| 35 | 851 | Washer Cover to Hinge | 8 |

Recovery - 16094
Solvent drain - 16093



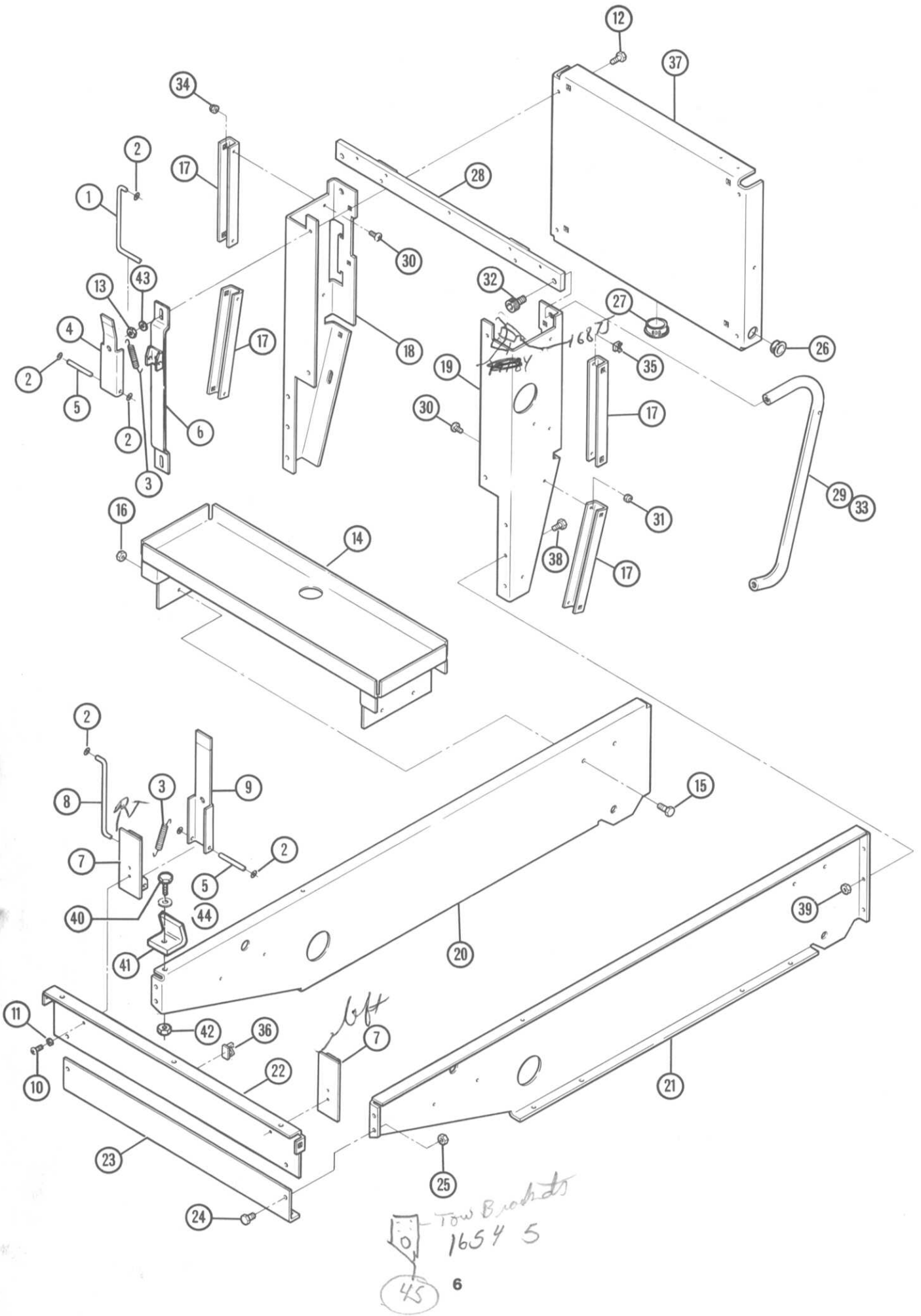
charger /
36 Volt
decals 15611

15639 Bulb for light. #194 lamp
Brake decal (16045)



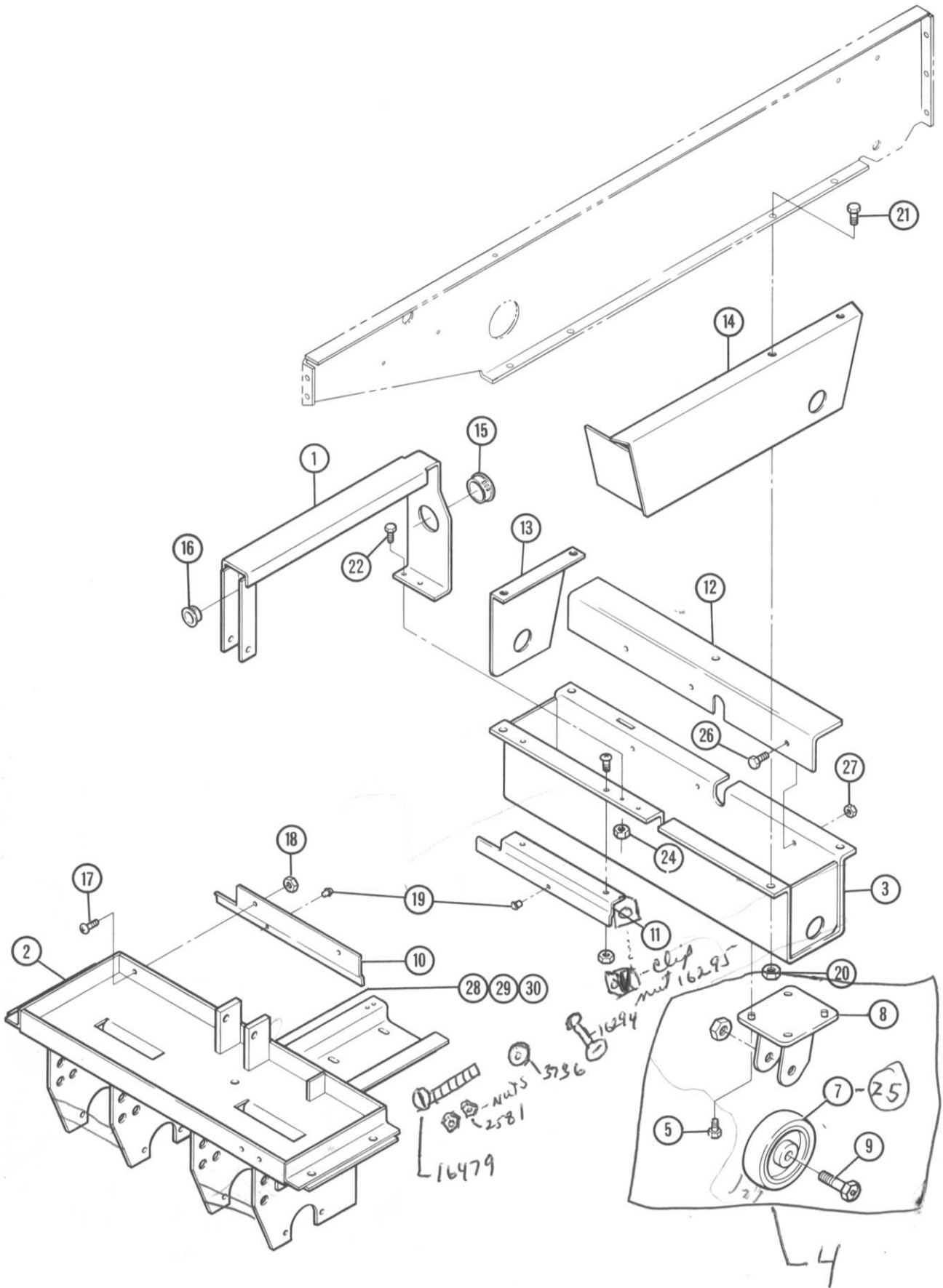
BATTERY COMPONENTS

| Item No. | Part No. | Description | Qty. |
|----------|------------------|--|------|
| 1 | 15521 | Tray Liner <i>15522</i> | 1 |
| 2 | 15522 | Tray Liner <i>15521</i> | 1 |
| 3 | 93287 | Battery (12 Volt) | 3 |
| | 98317 | Optional Battery (6 Volt) | 6 |
| 4 | 14479 | Jumper Cover <i>RED 16908, BLK-16909</i> | 6 |
| 5 | 15868 | Drain Tube | 2 |
| 6 | 15659 | Battery Tray | 1 |
| 7 | 16238 | Battery Spacers (for 93287 batteries only) | 6 |
| 8 | 16480 | Retainer | 2 |



FRAME ASSEMBLY

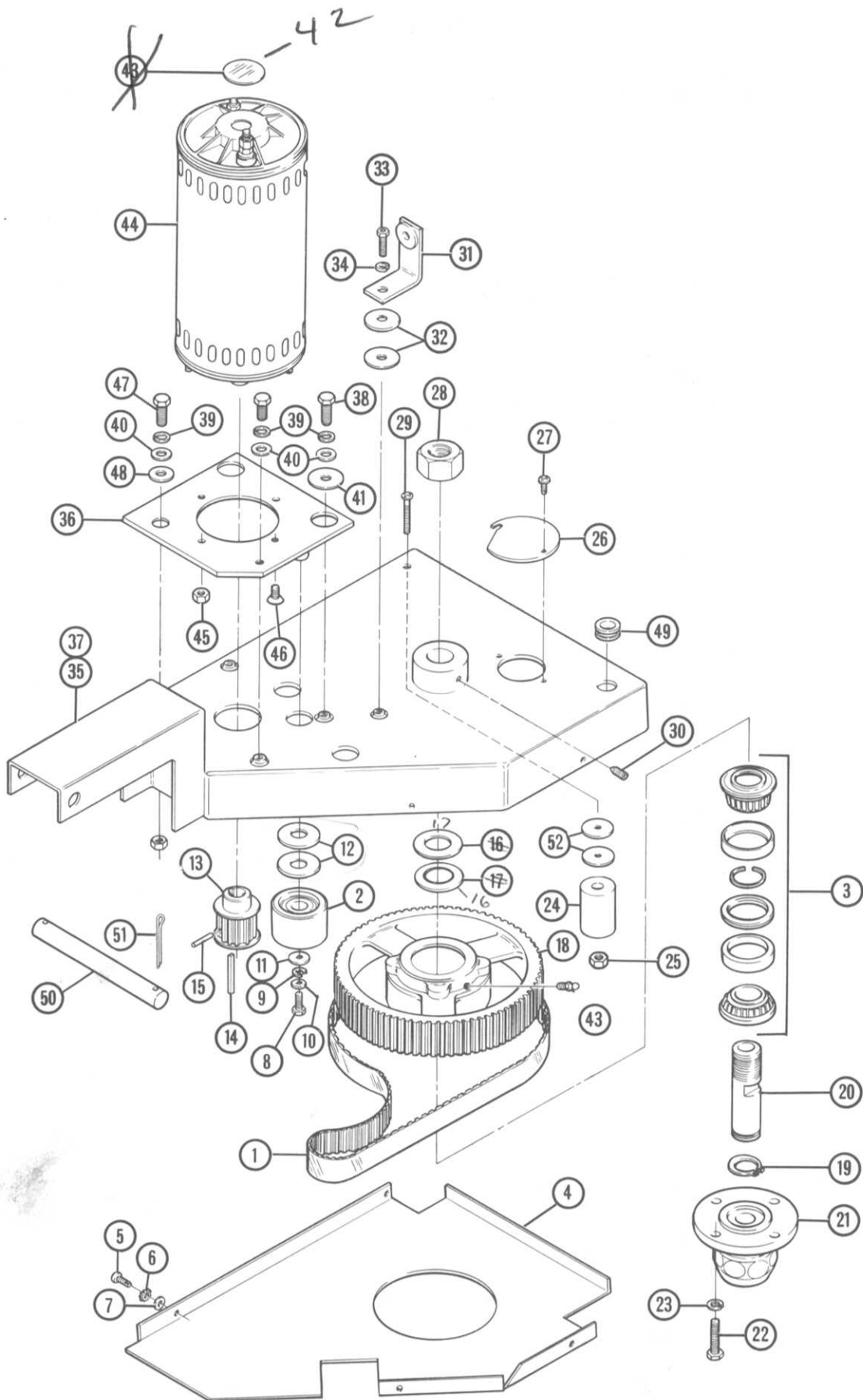
| Item No. | Part No. | Description | Qty. |
|----------|----------|--|------|
| 1 | 15790 | Restrainer Cover | 1 |
| 2 | 15365 | Handle Fastener | 8 |
| 3 | 10841 | Spring | 2 |
| 4 | 15982 | Latch L.H. | 1 |
| 5 | 15793 | Pivot Shaft | 2 |
| 6 | 15796 | Retainer Weldment | 1 |
| 7 | 15794 | Guide Weldment R.H. | 1 |
| | 15795 | Guide Weldment L.H. | 1 |
| 8 | 15567 | Restrainer Cover | 1 |
| 9 | 15983 | Latch R.H. | 1 |
| 10 | 86 | Screw | 4 |
| 11 | 1574 | Lockwasher | 4 |
| 12 | 2109 | Screw | 2 |
| 13 | 67 | Nut | 2 |
| 14 | 15660 | Bridge Battery Weldment | 1 |
| 15 | 3966 | Screw | 4 |
| 16 | 1589 | Nut | 4 |
| 17 | 15837 | Bracket Panel Mount | 4 |
| 18 | 15832 | Support R.H. Corner | 1 |
| 19 | 15838 | Support L.H. Corner | 1 |
| 20 | 15834 | Underframe R.H. | 1 |
| 21 | 15835 | Underframe L.H. | 1 |
| 22 | 15833 | Brace Front Cover | 1 |
| 23 | 15844 | Spacer Front | 1 |
| 24 | 3959 | Screw | 4 |
| 25 | 3868 | Nut | 4 |
| 26 | 16218 | Snap Bushing | 1 |
| 27 | 16219 | Snap Bushing | 2 |
| 28 | 15839 | Cross Bar Assembly | 1 |
| 29 | 15865 | Handle Rigid | 2 |
| 30 | 86 | Screw | 8 |
| 31 | 2217 | Nut | 8 |
| 32 | 15726 | Handle Screw Upper | 2 |
| 33 | 5441 | Handle Screw Lower | 2 |
| 34 | 2217 | Nut | 2 |
| 35 | 15546 | Retainer Nut | 8 |
| 36 | 15545 | Clip | 3 |
| 37 | 16176 | Rear Frame Plate | 1 |
| 38 | 3966 | Screw | 6 |
| 39 | 3868 | Locknut | 6 |
| 40 | 2047 | Screw | 2 |
| 41 | 16559 | Tray Stop <i>one on each side latest style</i> | 2 |
| 42 | 2217 | Nut | 2 |
| 43 | 3301 | Washer | 4 |
| 44 | 3218 | Washer | 2 |
| 45 | 16545 | Towing Bracket Assembly | 2 |
| | 3320 | Screw | 8 |
| | 3736 | Flatwasher | 8 |



CASTER FRAME ASSEMBLY

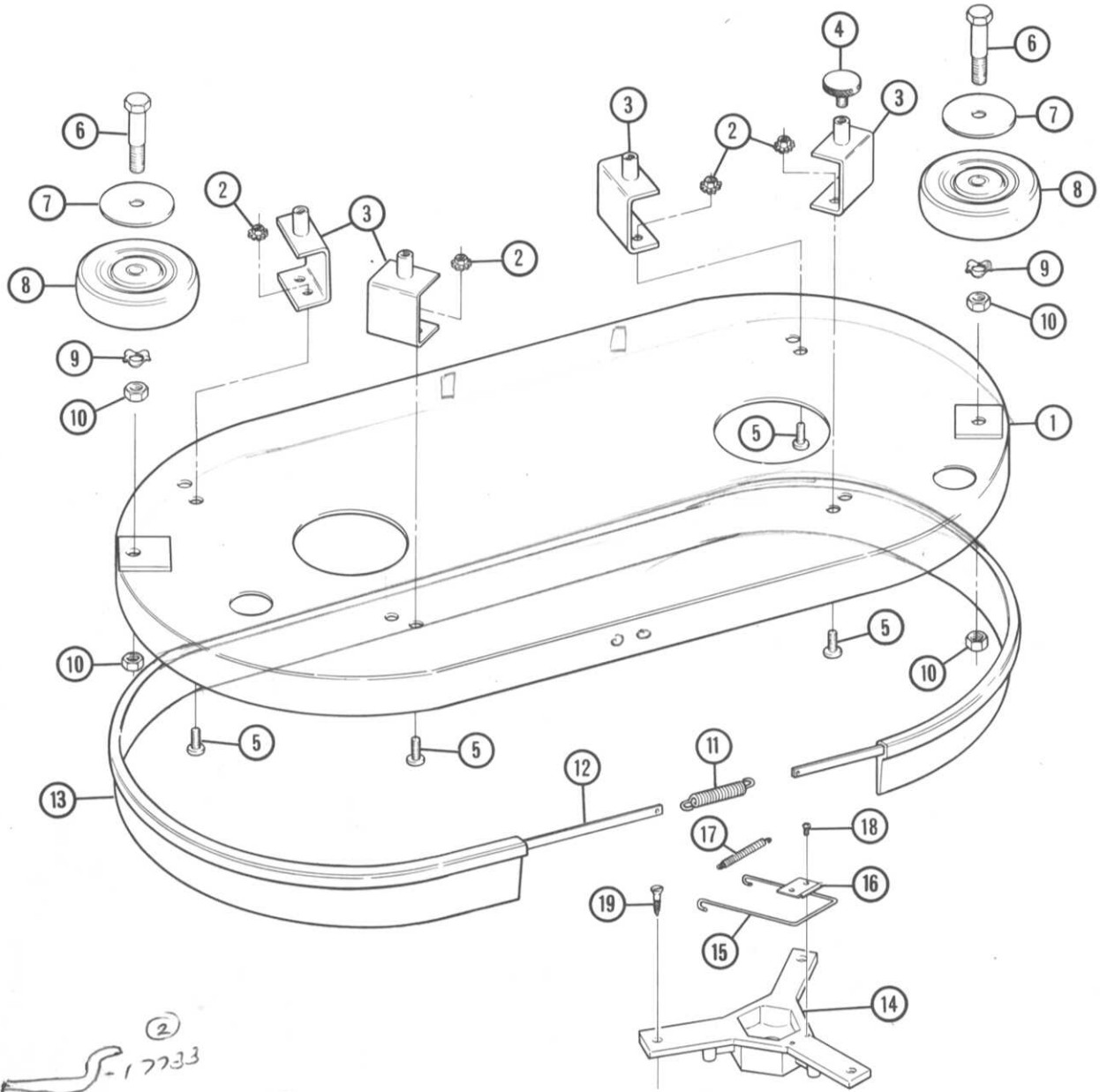
| Item No. | Part No. | Description | Qty. |
|----------|------------------------|---|------|
| 1 | 15842 | Tank Support Weldment | 1 |
| 2 | 15582 | Traction Drive Frame Weldment | 1 |
| 3 | 15600 17574 | Caster Frame Weldment <i>16647 for double chain</i> <i>17083</i> | 1 |
| 4 | 14530 | Caster Assembly * | 2 |
| 5 | 3320 | Bolt | 8 |
| 7 | 14528 | Wheel * <i>11818 soft wheel only</i> | 2 |
| 8 | 14529 | Caster Frame | 2 |
| 9 | 14527 | Caster Shaft and Nut | 2 |
| 10 | 15786 | Bracket Vac Motor Rear <i>16291 FRONT</i> | 1 |
| 11 | 15785 | Bracket Vac Motor Front <i>16292 Rear</i> | 1 |
| 12 | 15685 | Tank Support | 1 |
| 13 | 15831 | Caster Skirt R.H. | 1 |
| 14 | 15836 | Caster Skirt Assembly | 1 |
| 15 | 16219 | Snap Bushing | 1 |
| 16 | 16218 | Snap Bushing | 1 |
| 17 | 5427 | Screw | 4 |
| 18 | 7533 | Screw | 4 |
| 19 | 3048 | Bullet Catch | 2 |
| 20 | 3868 | Nut | 4 |
| 21 | 3959 | Screw | 4 |
| 22 | 2047 | Screw | 2 |
| | 14819 | Caster Assembly <input type="checkbox"/> <i>soft Caster 18773</i> | 2 |
| 24 | 2217 | Locknut | 2 |
| 25 | 14818 | Caster Frame <input type="checkbox"/> <i>wheel</i> | 2 |
| 26 | 3966 | Screw | 3 |
| 27 | 1589 | Nut | 3 |
| 28 | 16339 | Screw (Not Shown)* | 1 |
| 29 | 2581 | Nut (Not Shown) * | 2 |
| 30 | 3736 | Flat Washer (Not Shown) * | 2 |

- Pneumatic Tire Units Only
 * Solid Tire Units Only



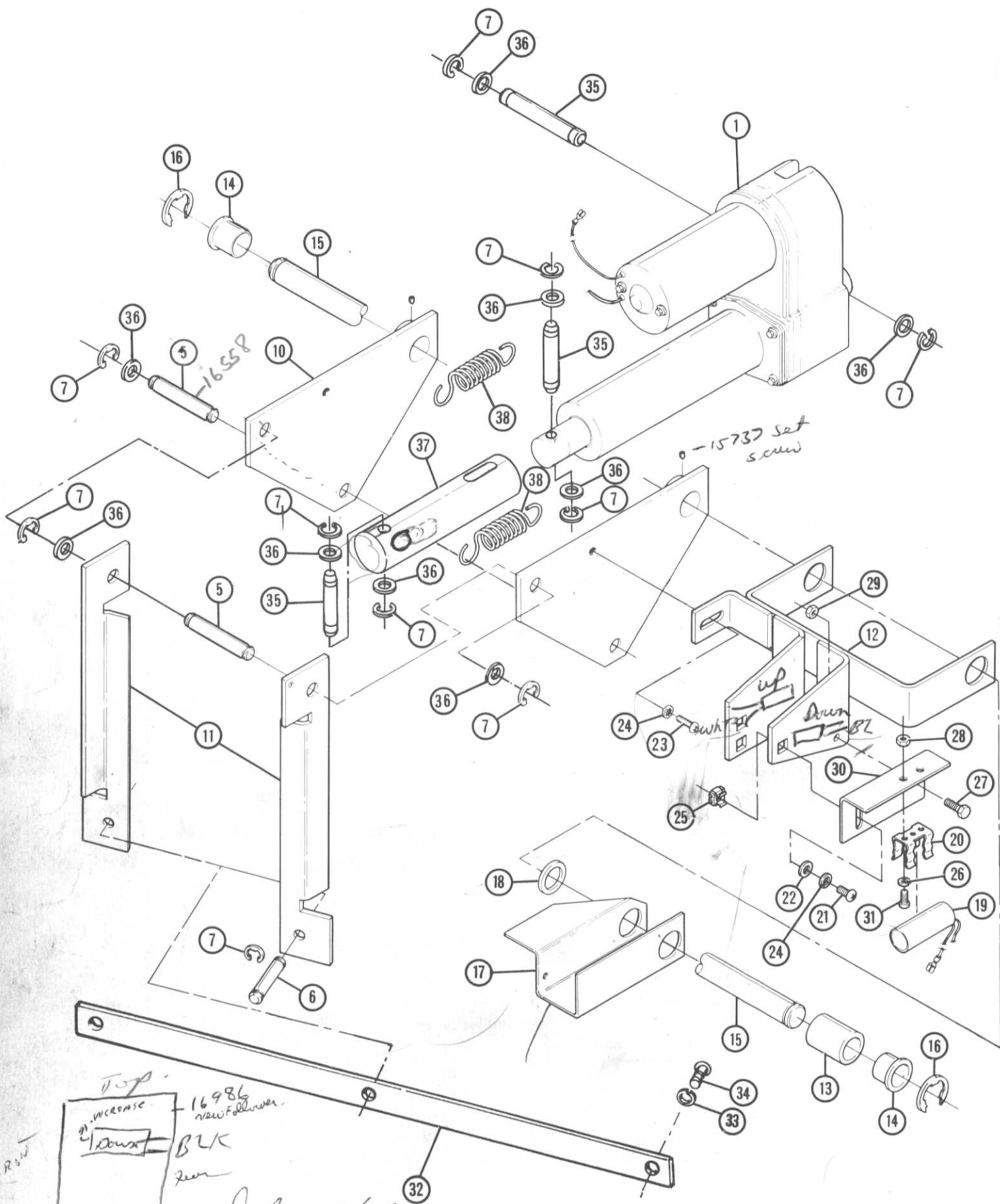
BRUSH DRIVE ASSEMBLY

| Item No. | Part No. | Description | Qty. |
|----------|------------------|---|------|
| 1 | 14520 | Timing Belt | 2 |
| 2 | 10626 | Idler Pulley S/A | 2 |
| 3 | 10445 | Bearing Assembly | 2 |
| 4 | 10508 | R.H. Pulley Guard | 1 |
| | 10511 | L.H. Pulley Guard | 1 |
| 5 | 10677 | Screw <i>11390</i> | 8 |
| 6 | 11007 | Lockwasher | 8 |
| 7 | 696 | Washer | 8 |
| 8 | 2047 | Idler Screw | 2 |
| 9 | 1574 | Lockwasher | 2 |
| 10 | 3218 | Washer | 2 |
| 11 | 3736 | Washer | 2 |
| 12 | 2349 | Bearing Assembly | 2 |
| 13 | 10476 | Motor Pulley | 2 |
| 14 | 10791 | Motor Pulley Key | 2 |
| 15 | 0440 | Roll Pin Motor Pulley <i>14815</i> | 2 |
| 16 | 10477 | Bearing Spacer | 2 |
| 17 | 14970 | Sealing Washer | 2 |
| 18 | 10458 | Brush Pulley | 2 |
| 19 | 10459 | Retaining Ring | 2 |
| 20 | 10479 | Spindle Shaft | 2 |
| 21 | 16532 | Brush Coupler | 2 |
| 22 | 10502 | Brush Coupler Screw | 8 |
| 23 | 1577 | Lockwasher | 8 |
| 24 | 14798 | Bumper | 2 |
| 25 | 1497 | Hex Nut | 2 |
| 26 | 14339 | Cover Hole | 2 |
| 27 | 7534 | Screw Cover Hole | 4 |
| 28 | 10478 | Spindle Nut | 2 |
| 29 | 14799 | Screw | 2 |
| 30 | 10548 | Set Screw | 2 |
| 31 | 15586 | Lift Bracket | 2 |
| 32 | 3321 | Washer | 4 |
| 33 | 3320 | Screw | 2 |
| 34 | 3536 | Lockwasher | 2 |
| 35 | 15598 | R.H. Frame Assembly (32") | 1 |
| | 15595 | L.H. Frame Assembly (32") | 1 |
| 36 | 15590 | R.H. Mounting Plate (36" and 32") | 1 |
| | 15589 | L.H. Mounting Plate (36" and 32") | 1 |
| 37 | 15597 | R.H. Frame Assembly (36") | 1 |
| | 15596 | L.H. Frame Assembly (36") | 1 |
| 38 | 2109 | Bolt | 6 |
| 39 | 1577 | Lockwasher | 8 |
| 40 | 3301 | Washer | 8 |
| 41 | 3321 | Washer | 4 |
| 42 | 10569 | Disc | 2 |
| 43 | 14243 | Grease Fitting | 2 |
| 44 | 15513 | Motor (mounting plate not included) <i>1722 / w/new Brushes</i> | 2 |
| 45 | 67 | Nut | 4 |
| 46 | 3922 | Screw | 4 |
| 47 | 3361 | Screw | 2 |
| 48 | 3736 | Washer | 2 |
| 49 | 12991 | Grommet | 4 |
| 50 | 16252 | Hitch Pin <i>16590</i> | 4 |
| 51 | 16253 | Cotter Pin | 2 |
| 52 | 3321 | Washer | 4 |



②
 -17733
 17752
 17751
 ②
 17160
 5 screws
 ②
 17508
 nut
 lock washer
 7810 (2)

97929



BRUSH COVERS 32" & 36" BRUSHES & YOKES

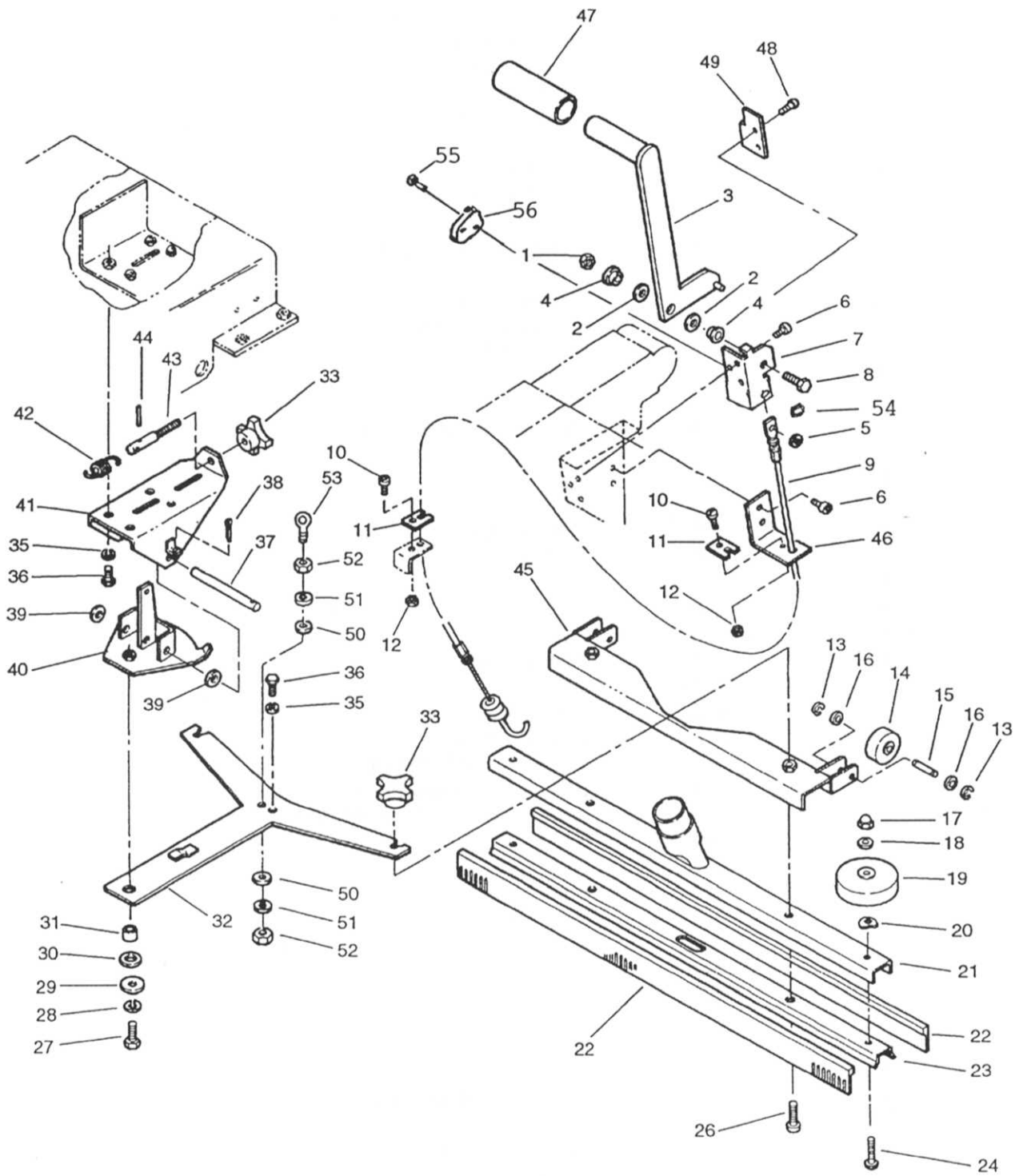
| Item No. | Part No. | Description | Qty. |
|----------|------------------|-----------------------|------|
| 1 | 15568 | Brush Cover 32" 17747 | 1 |
| | 15571 | Brush Cover 36" 17749 | 1 |
| 2 | 67 | Nut | 8 |
| 3 | 14842 | Brush Cover Bracket | 4 |
| 4 | 10501 | Threaded Knob | 4 |
| 5 | 15067 | Screw | 8 |
| 6 | 14500 | Screw | 2 |
| 7 | 10436 | Rub Wheel Cover | 2 |
| 8 | 14817 | Rub Wheel | 2 |
| 9 | 7723 | Wave Washer | 4 |
| 10 | 10513 | Nut Jam | 4 |
| 11 | 16472 | Spring | 1 |
| 12 | 10434 | Strap 32" 17737 | 1 |
| | 15584 | Strap 36" 17738 | 1 |
| 13 | 10437 | Bumper 32" 17742 | 1 |
| | 15583 | Bumper 36" 17743 | 1 |
| 14 | 10431 | Yoke | 2 |
| 15 | 10494 | Brush Retainer | 2 |
| 16 | 3963 | Clamp | 2 |
| 17 | 14795 | Spring | 2 |
| 18 | 3660 | Screw | 2 |
| 19 | 10537 | Wood Screw | 3 |

**BRUSHES NOT SHOWN
32" BRUSHES & PAD HOLDER**

| | | |
|-------|-----------------------------------|---|
| 97917 | Yoke and Retainer Only | 2 |
| 98230 | Bassine Brush w/Yoke | 2 |
| 97974 | Bassine Brush Only | 2 |
| 98283 | Polypropylene Brush w/Yoke | 2 |
| 98292 | Polypropylene Brush Only | 2 |
| 98373 | Grit Brush w/Yoke | 2 |
| 98372 | Grit Brush Only | 2 |
| 98566 | Pad Holder with Yoke and Retainer | 2 |

36" BRUSHES & PAD HOLDER

| | | |
|-------|---|---|
| 97917 | Yoke and Retainer Only 972929 for plastic | 2 |
| 99043 | Bassine Brush w/Yoke | 2 |
| 99040 | Bassine Brush Only | 2 |
| 99044 | Polypropylene Brush w/Yoke | 2 |
| 99041 | Polypropylene Brush Only | 2 |
| 99042 | Grit Brush w/Yoke | 2 |
| 99039 | Grit Brush Only | 2 |
| 98568 | Pad Holder with Yoke and Retainer | 2 |
| 90599 | Pad Retainer Only | 2 |



RECOVERY TANK w/VAC MOTOR ASSEMBLY

| <u>Item No.</u> | <u>Qty.</u> | <u>Part No.</u> | <u>Description</u> |
|-----------------|-------------|------------------------|------------------------------------|
| 1 | 1 | 18741 | Access Cover, Recovery Tank |
| 2 | 1 | 18799 | Deflector, Intake |
| 3 | 1 | 15088 | Adaptor Fitting |
| 4 | 1 | 18789 | Cover Retaining Cable |
| 6 | 1 | 18887 | Float Assembly |
| 7 | 1 | 18742 | Gasket |
| 8 | 1 | 18790 | Cable Clasp |
| 9 | 1 | 18866 | Vac Motor Assembly |
| 10 | 2 | 05781 | Gasket |
| 11 | 1 | 15096 | Fitting, Female Adapter |
| 12 | 1 | 18259 | Sleeve, Hose |
| 13 | 1 | 18477 | Grommet |
| 14 | 1 | 18241 | Bracket, Hose Support |
| 15 | 1 | 18747 | Hose, 1 1/2" |
| 16 | 2 | 16136 | Screw |
| 17 | 1 | 18226 | Plug |
| 18 | 1 | 18358 | Strap, Hose Plug Retainer |
| 19 | 1 | 18357 | Sleeve, Recovery Drain |
| 20 | 6 | 01734 | Screw |
| 21 | 6 | 01246 | Lockwasher |
| 22 | 3 | 18671 | Clip, Drain Hose |
| 23 | 6 | 01905 | Lockwasher |
| 24 | 6 | 01993 | Screw |
| 25 | 3 | 18439 | Plate |
| 26 | 1 | 18334 19286 | Hose, 1 1/2" |
| 27 | 1 | 16091 | Clamp, Hose |
| 28 | 1 | 18401 | Sleeve |
| 29 | 1 | 18052 | Fitting, Male Adapter |
| 30 | 1 | 18899 18740 | Tank, Recovery |
| 31 | 1 | 18791 | Vac Motor Intake Screen |
| 32 | 1 | 18846 | Housing, Vac Filter Spacer |
| 33 | 1 | 17392 | Filter Cover Assembly Cable Clamp |
| 34 | 2 | 18342 | Screw |
| 35 | 3 | 14142 | Washer |
| 36 | 1 | 17177 | Screw |
| 37 | 3 | 18333 | Screw |
| 38 | 2 | 18349 | Spacer |
| 40 | 1 | 18847 | Gasket |
| 41 | 1 | 17508 | Nut |
| 42 | 1 | 18885 | Washer |
| 43 | 1 | 18886 | Washer |
| 44 | 1 | 18688 | Battery Tray |
| 45 | 1 | 18687 | Vac Motor Exhaust Hose |
| 46 | 1 | 18686 | Muffler |
| 47 | 1 | 18692 | Battery Spacing Bracket (12v only) |
| 48 | 2 | 18706 | Tie Wrap |
| 49 | 1 | 14858 | Hose Clamp |

NOTE: Unless indicated, Part No. applies to all Models.