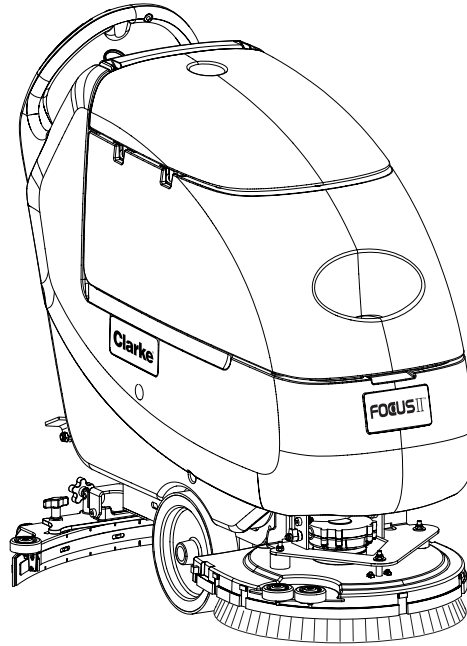
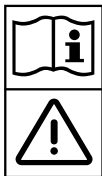


Clarke®

FOCUS II™



Instructions For Use - Original Instructions / Instrucciones de uso / Mode d'emploi
Models: 9087202020 - 9087203020



READ THIS BOOK

LEA ESTE MANUAL

LISEZ CE MANUEL

EN English (2 - 33)

ES Español (34 - 65)

FR Français (66 - 98)

This book has important information for the use and safe operation of this machine. Failure to read this book prior to operating or attempting any service or maintenance procedure to your Clarke machine could result in injury to you or to other personnel; damage to the machine or to other property could occur as well. You must have training in the operation of this machine before using it. If your operator(s) cannot read this manual, have it explained fully before attempting to operate this machine.




















All directions given in this book are as seen from the operator's position at the rear of the machine.

TABLE OF CONTENTS

Operator's Manual	1
OPERATOR SAFETY INSTRUCTIONS	3
INTRODUCTION	5
HOW TO KEEP THIS MANUAL.....	5
IDENTIFICATION DATA.....	5
CHANGES AND IMPROVEMENTS	5
UNPACKING.....	5
TECHNICAL DATA	6
MACHINE TRANSPORT PROCEDURES	7
SYMBOLS SHOWN ON THE MACHINE	7
MACHINE DESCRIPTION	8
OUTER AND INNER STRUCTURE	8
CONTROL PANEL.....	10
BATTERY CHARGER DATA INSPECTION WINDOW	10
USE	11
BATTERY CHECK/SETTING ON A NEW MACHINE	11
BATTERY INSTALLATION AND BATTERY TYPE SETTING (WET OR AGM)	12
BEFORE START-UP.....	13
MACHINE START AND STOP	18
MACHINE OPERATION (SCRUBBING/DRYING).....	19
TANK EMPTYING.....	21
AFTER USING THE MACHINE	22
MACHINE LONG INACTIVITY	22
FIRST PERIOD OF USE	22
MAINTENANCE	23
SCHEDULED MAINTENANCE TABLE	23
SQUEEGEE CLEANING	24
SQUEEGEE BLADE CHECK AND REPLACEMENT	25
BRUSH/PAD CLEANING.....	26
VACUUM SYSTEM MOTOR FILTER CLEANING	26
SOLUTION/CLEAN WATER FILTER CLEANING	26
TANK AND VACUUM GRID WITH FLOAT CLEANING, AND COVER GASKET CHECK.....	27
DETERGENT TANK CLEANING	28
BRUSH/PAD-HOLDER/CYLINDRICAL BRUSH DECK DISASSEMBLY/ASSEMBLY	29
BATTERY CHARGING	30
MACHINE WORKING HOUR CHECK	32
FUSE CHECK/REPLACEMENT.....	32
ACCESSORIES/OPTIONS FOR FOCUS II	33
ACCESSORIES/OPTIONS.....	33
TROUBLESHOOTING	33
SCRAPPING.....	33
Parts List	99

OPERATOR SAFETY INSTRUCTIONS

- !** **DANGER!** *It indicates a dangerous situation with risk of death for the operator.*
- !** **WARNING!** *It indicates a potential risk of injury for people or damage to objects.*
- !** **CAUTION!** *It indicates a caution related to important or useful functions.
Pay careful attention to the paragraphs marked by this symbol.*
- !** **DANGER!** *Disconnect the batteries before performing any maintenance/repair procedure.*
- !** **DANGER!** *This machine must be used by properly trained and authorized personnel only. Children or disabled people cannot use this machine.*
- !** **DANGER!** *Keep the batteries away from sparks, flames and incandescent material. During normal operation, explosive gases are released.*
- !** **DANGER!** *Do not wear jewelry when working near electrical components.*
- !** **DANGER!** *Do not work under the lifted machine without supporting it with safety stands.*
- !** **DANGER!** *Do not operate the machine near toxic, dangerous, flammable and/or explosive powders, liquids or vapors.*
- !** **DANGER!** *Battery charging produces highly explosive hydrogen gas. Keep the tank assembly open during battery charging and perform this procedure in well-ventilated areas and away from bare flames.*
- !** **WARNING!** *Before using the battery charger, ensure that frequency and voltage values, indicated on the machine serial number plate, match the electrical mains voltage.*
- !** **WARNING!** *Do not pull or carry the machine by the battery charger cable and never use the battery charger cable as a handle. Do not close a door on the battery charger cable, or pull the battery charger cable around sharp edges or corners. Do not run the machine on the battery charger cable. Keep the battery charger cable away from heated surfaces.*
- !** **WARNING!** *Do not charge the batteries if the battery charger cable or plug is damaged. If the machine is not working as it should, has been damaged, left outdoors or dropped into water, return it to the Service Center.*
- !** **WARNING!** *To reduce the risk of fire, electric shock, or injury, do not leave the machine unattended when it is plugged in. Before performing any maintenance procedure, disconnect the battery charger cable from the electrical mains.*
- !** **WARNING!** *Do not smoke while charging the batteries.*
- !** **WARNING!** *Always protect the machine against the sun, rain and bad weather, both under operation and inactivity condition. Store the machine indoors.*
- !** **WARNING!** *Do not allow to be used as a toy. Close attention is necessary when used near children.*
- !** **WARNING!** *Use only as shown in this Manual. Use only Clarke's recommended accessories.*
- !** **WARNING!** *Take all necessary precautions to prevent hair, jewelry and loose clothes from being caught by the machine moving parts.*
- !** **WARNING!** *Do not leave the machine unattended without being sure that it cannot move independently.*
- !** **WARNING!** *Do not use the machine on slopes with a gradient exceeding the specifications.*
- !** **WARNING!** *Do not use the machine in particularly dusty areas.*
- !** **WARNING!** *While using this machine, take care not to cause harm to people or damage to objects.*
- !** **WARNING!** *Do not bump into shelves or scaffoldings, especially where there is a risk of falling objects.*
- !** **WARNING!** *Do not put any can containing fluids on the machine.*
- !** **WARNING!** *The machine operating temperature must be between +32°F and +104°F (0°C and +40°C).*

-  **WARNING!** *The machine storage temperature must be between +32°F and +104°F (0°C and +40°C).*
-  **WARNING!** *The humidity must be between 30% and 95%.*
-  **WARNING!** *Do not use the machine as a means of transport.*
-  **WARNING!** *Do not use the machine on slopes with an inclination higher than 2%.*
-  **WARNING!** *Do not allow the brushes to operate while the machine is stationary to avoid damaging the floor.*
-  **WARNING!** *In case of fire, use a powder fire extinguisher, not a water one.*
-  **WARNING!** *Do not tamper with the machine safety guards and follow the routine maintenance instructions scrupulously.*
-  **WARNING!** *Do not allow any object to enter into the openings. Do not use the machine if the openings are clogged. Always keep the openings free from dust, hairs and any other foreign material which could reduce the air flow.*
-  **WARNING!** *Do not remove or modify the plates affixed to the machine.*
-  **WARNING!** *If the machine is used according to the instructions, the vibrations are not dangerous. The machine vibration level is less than 98.42 in/s² (2.5 m/s²) (98/37/EEC - EN 1033/1995).*
-  **WARNING!** *This machine cannot be used on roads or public streets.*
-  **WARNING!** *Pay attention during machine transportation when temperature is below freezing point. The water in the recovery tank or in the hoses could freeze and seriously damage the machine.*
-  **WARNING!** *Use the brushes and pads supplied with the machine and those specified in the Operator's Manual. Using other brushes or pads could reduce safety.*
-  **WARNING!** *In case of machine malfunctions, ensure that these are not due to lack of maintenance. If necessary, request assistance from the authorized personnel or from an authorized Service Center.*
-  **WARNING!** *If parts must be replaced, require ORIGINAL spare parts from an authorized Dealer or Retailer.*
-  **WARNING!** *To ensure machine proper and safe operation, the scheduled maintenance shown in the relevant chapter of this Manual, must be performed by the authorized personnel or by an authorized Service Center.*
-  **WARNING!** *Carefully read all the instructions before performing any maintenance/repair procedure.*
-  **WARNING!** *Do not wash the machine with direct or pressurized water jets, or with corrosive substances.*
-  **WARNING!** *The machine must be disposed of properly, because of the presence of toxic-harmful materials (batteries, etc.), which are subject to standards that require disposal in special centers (see Scrapping chapter).*

INTRODUCTION

FOCUS II model of Clarke scrubber-dryer ensures a highly effective floor cleaning performance.

FOCUS II L17 model is equipped with a single rotary brush to clean an area of 17.0 in (430 mm) in width.

FOCUS II S20 and FOCUS II L20 model is equipped with a single rotary brush to clean an area of 20 in (508 mm) in width.

FOCUS II L20 Cyl. model is equipped with two cylindrical brushes to clean an area of 20 in (508 mm) in width.

FOCUS II BOOST L20 model is equipped with a single orbital rectangular pad to clean an area of 20 in (508 mm) in width

The rear squeegee performs the floor cleaning and the vacuum system recovers the washing water in a single pass.

HOW TO KEEP THIS MANUAL

The Operator's Manual must be kept near the machine, inside an adequate case, away from liquids and other substances that can cause damage to it.

IDENTIFICATION DATA

The machine model and the serial number are marked on the plate. (Al. Fig. 2 - page 9).

The machine production year is indicated by the first two figures of the machine serial number.

This information is useful when requiring machine spare parts. Use the following table to write down the machine identification data for any further reference.

MACHINE model
MACHINE Serial Number

CHANGES AND IMPROVEMENTS

Clarke constantly improves its products and reserves the right to make changes and improvements at its discretion without being obliged to apply such benefits to the machines previously sold.

Any change and/or addition of accessories must be approved and performed by Clarke.

UNPACKING

To unpack the machine carefully follow the instructions on the packing.

Upon delivery carefully check that the machine and its packing have not been damaged during transportation. In case of visible damages, keep the packing and have it checked by the Carrier that delivered it. Call the Carrier immediately to fill in a damage claim.

Please check that the following items have been supplied with the machine:

1. Technical documents:
 - Scrubber-dryer Instructions for Use Manual
 - Electronic battery charger Manual
2. No. 2 lamellar fuses

TECHNICAL DATA

Model	FOCUS II L17	FOCUS II S20	FOCUS II L20	FOCUS II L20 Cyl.	FOCUS II BOOST® L20
Working Voltage	24 V DC				
Standard Batteries (2)	12 V - 130 Ah@20hr Wet				
Optional Batteries (2)	12V 114 Ah@20hr rating AGM				
Drive System Motor	0.3 hp (200 W)	—	0.3 hp (200 W)		
Drive Speed (variable)	0 to 3.5 mph (0 to 5.6 km/h)	Determined by brush rotation	0 to 3.5 mph (0 to 5.6 km/h)		
Battery Protection System	Low Voltage Cut-Off of Brush and Solution				
Vacuum Motor Power	0.5 hp, 2 stages, tangential discharge				
Vacuum Capacity	41.5 in H ₂ O (1.055 mm H ₂ O)				
Solution & Rec. Tanks	14.5 US gal (55 liters)				
Solution Flow (min/max)	0 - 0.63 gal/min (0 - 2.4 liter/min)			0 - 0.3 gal/min (0 - 0.75 liter/min)	
Squeegee Width	29.9 in. (760 mm)				
Cleaning Width	17 in. (430 mm)	20 in. (508 mm)			
Brush Motor Power	0.7 hp (480 W)			(2) @ 0.4 hp (300 W) ea	0.75 hp (560 W)
Cylindrical Brush Size	—	—	—	4.3 x 19.1 in. (110 x 485 mm)	
BOOST® Pad Size	—	—	—	—	14 x 20 in. (457 x 508 mm)
Brush Speed	153 rpm			570 rpm	2250 rpm
Brush Pressure	45 and 90 lbs (20 and 41 kg)			58.4 lbs (26.5 kg)	40 and 75 lbs (18 and 34 kg)
Front Wheel Pressure on the floor	116 psi (0.8 N/mm ²)				
Rear Wheel Pressure on the floor	884.7 psi (6.1 N/mm ²)	406.1 psi (2.8 N/m ²)	884.7 psi (6.1 N/mm ²)		
On-Board Battery Charger	Standard				
Gradeability	2%				
Machine Length	52.1 in. (1.323 mm)			49.3 in. (1,253 mm)	51 in. (1.295 mm)
Machine Width without Squeegee	21.3 in. (541 mm)			22.7 in. (575.5 mm)	20.8 in. (528 mm)
Machine Height	42.8 in. (1.088 mm)				
Weight w/o Batteries and with empty tanks	209.4 lbs (95 kg)	191.8 lbs (87 kg)	209.4 lbs (95 kg)	231.5 lbs (105 kg)	203 lbs (92 kg)
Weight with batteries and full tanks	531.3 lbs (241 kg)	515.9 lbs (234 kg)	531.3 lbs (241 kg)	553.4 lbs (251 kg)	525 lbs (238 kg)
Sound level	65.8 dB(A)				
Battery compartment size (width x length x height)	13.8 x 13.8 x 11.8 in. (350 x 350 x 300 mm)				

MACHINE TRANSPORT PROCEDURES

How to load and unload the machine from a van or a truck

WARNING!

This machine is heavy. Machine transport must be performed by qualified personnel only. Machine transport on steep ramps must be performed by two well-trained operators only. Always move it slowly. Do not turn the machine on slopes. Do not leave the machine unattended on slopes. Loading ramp width must not be less than 40 in (1 m).

1. Check that the loading ramp is not longer than 8 feet (2.5 m) and not wider than 40 in (1 m). Its thickness must be adequate to support the machine and operators' weight.
2. Check that the ramp is dry and clean.
3. Position the ramp properly.
4. Before loading the machine, remove the squeegee assembly and the brush/pad-holder. Before loading the machine, empty both the solution and the recovery water tank.

How to Fasten the Machine Inside the Vehicle

5. Clarke recommends to fasten the machine with belts during transportation.

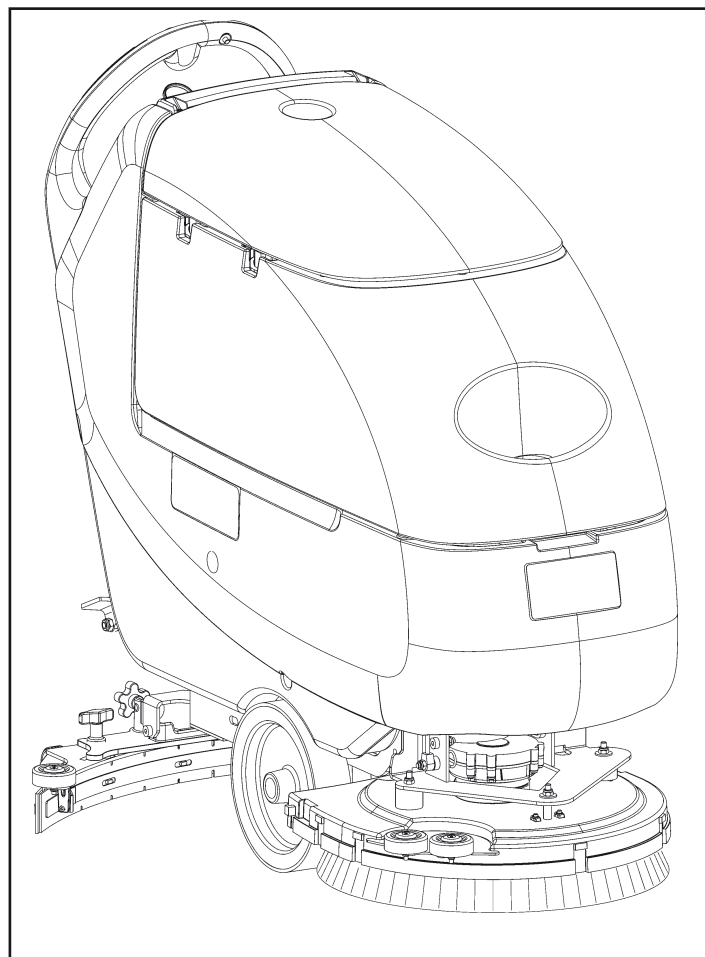


Figure 1

SYMBOLS SHOWN ON THE MACHINE



 **WARNING!**
Carefully read all instructions before performing any procedure.



 **WARNING!**
Do not wash the machine with direct or pressurized water jets.



 **WARNING!**
Do not use the machine on slopes exceeding the specifications.

MACHINE DESCRIPTION

OUTER AND INNER STRUCTURE

(See Fig. 2)

- | | |
|---|---|
| <ul style="list-style-type: none"> A. Control panel B. Handlebar C. Brush/forward gear switch (*). Brush switch (***) D. Speed adjuster (*) E. Battery charger data inspection window F. Battery charger cable G. Battery charger cable holder H. Solution/clean water rear filler neck I. Reverse gear switch J. Squeegee lifting/lowering lever K. Deck lifting/lowering pedal K1. Deck lifting K2. Deck lowering K3. Extra pressure activation (optional) (***) L. Battery connector (red). This connector also works as EMERGENCY switch, to stop immediately all functions. M. Rear steering wheel N. Front wheels on fixed axle. Driving wheels (*) O. Squeegee vacuum hose P. Recovery water drain hose Q. Solution/clean water drain and level check hose R. Deck with one brush/pad-holder S. Deck with two cylindrical brushes T. Brush/pad-holder U. Solution/clean water tank V. Recovery water tank W. Recovery water tank cover X. Can holder Y. Solenoid valve Z. Squeegee AA. Squeegee knobs AB. Squeegee balance adjusting knob AC. Machine straight forward movement adjusting pin AD. Machine forward speed adjusting pin (***) AE. Recovery water tank cover (open) AF. Tank cover gasket AG. Cover movable retaining plate AH. Cover fixed retaining plate (do not remove!) AI. Serial number plate/technical data AJ. Squeegee vacuum hose cleaning hole AK. Vacuum grid with automatic shut-off float AL. Solution/clean water front filler neck AM. Grid filter (optional) AN. Compensation hole AO. Recovery water tank (open) AP. Recovery water drain hose plug AQ. Tank safety cable AR. Vacuum system motor cover AS. Vacuum system motor sound-deadening filter AT. Detergent tank (**) AU. Detergent tank filler plug (**) AV. Detergent tank handle (**) AW. Detergent feed hose (**) AX. Detergent pump (**) AY. Detergent tank - pump connecting hose (**) AZ. Detergent pump holder (**) BA. Batteries | <ul style="list-style-type: none"> BB. Battery caps BC. Solution filter BD. Solution/clean water tap BE. Reference table for detergent proportioning (**) BF. Battery connection diagram <p>(*) Only for FOCUS II L17 - L20 - L20 Cyl. - BOOST L20
 (**) Only for machines with Chemical Mixing System (optional)
 (***) Only for FOCUS II S20</p> |
|---|---|

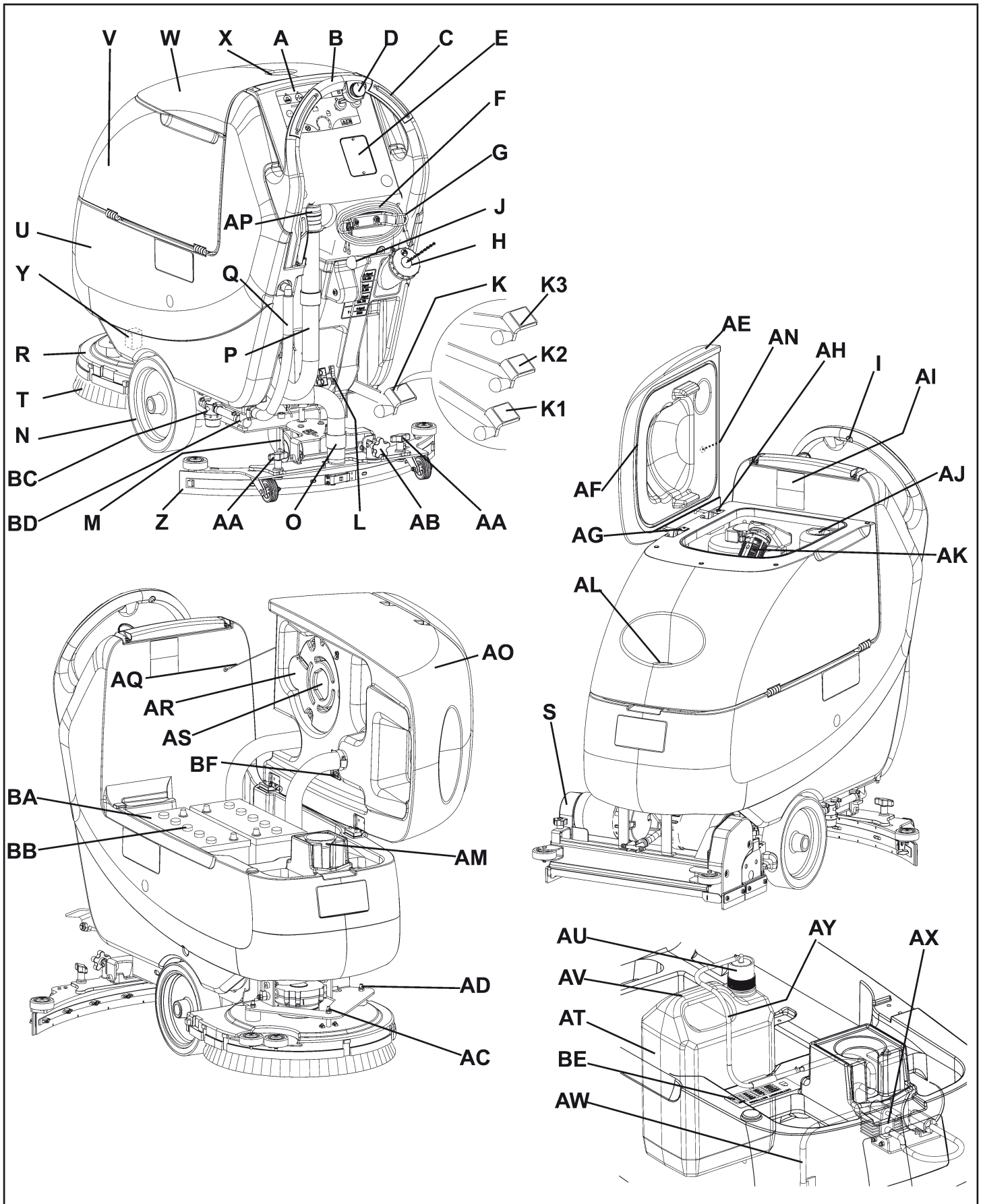


Figure 2

CONTROL PANEL

(See Fig. 3)

- A. Brush/pad-holder and vacuum system switch
- B. Brush/pad-holder and vacuum system switch warning light
- C. Vacuum system switch
- D. Vacuum system switch warning light
- E. Brush/pad-holder release switch
- F. Brush/pad-holder release switch warning light
- G. Detergent flow control knob (optional)
- H. Reverse gear switch
- I. Hour meter (optional)
- J. Ignition key (0 - I)
- K. Battery charge indicator
- L. Charged battery warning light (green)
- M. Semi-discharged battery warning light (yellow)
- N. Discharged battery warning light (red)
- O. Washing water flow control switches

- P. Flow increase switch
- Q. Flow decrease switch
- R. Washing water flow indicator
- S. Brush/forward gear switch (*). Brush switch (**)
- T. Speed adjuster (*)

(*) Only for FOCUS II L17 - L20 - L20 Cyl. - BOOST L20

(**) Only for machines with Chemical Mixing System (optional)

(***) Only for FOCUS II S20

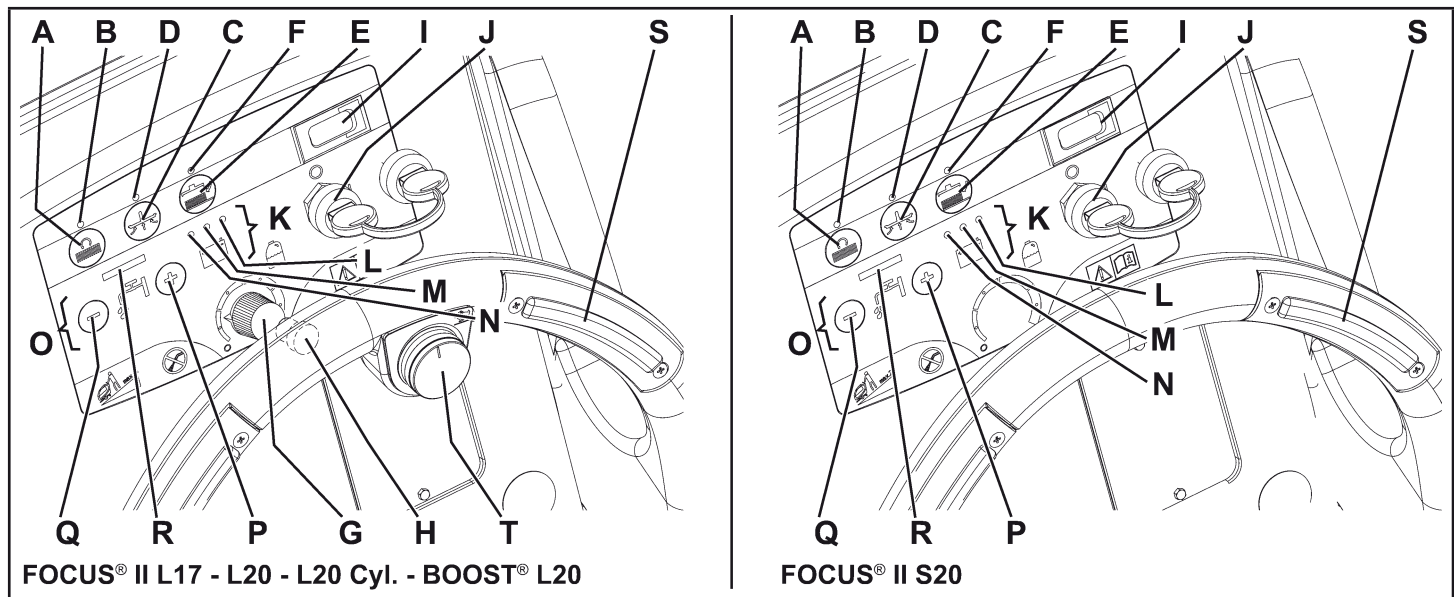


Figure 3

BATTERY CHARGER DATA INSPECTION WINDOW

(See Fig. 4)

- A. Electronic battery charger
- B. Lead (WET) or AGM (GEL) battery selector
- C. Green warning light (ON: the battery charger is on and batteries are charged)

- D. Yellow warning light (ON: the battery charger is on and batteries are semi-discharged)
- E. Red warning light (ON: the battery charger is on and it is charging the batteries)

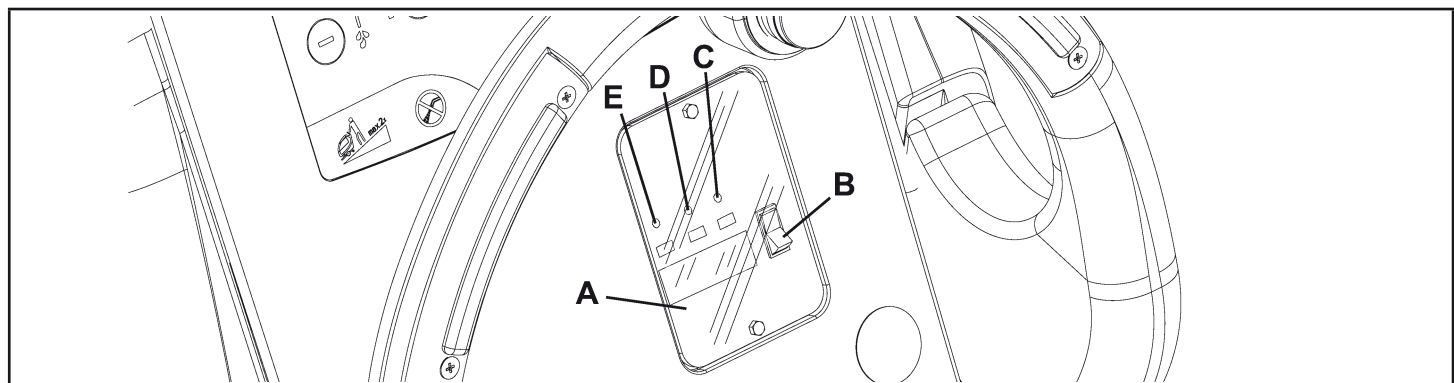


Figure 4

USE**! WARNING!**

On some points of the machine there are some adhesive plates indicating:

- **DANGER**
- **WARNING**
- **CAUTION**
- **CONSULTATION**

While reading this Manual, the operator must pay particular attention to the symbols shown on the plates.

Do not cover these plates for any reason and immediately replace them if damaged.

BATTERY CHECK/SETTING ON A NEW MACHINE**! WARNING!**

The electric components of the machine can be seriously damaged if the batteries are either improperly installed or connected. The batteries must be installed by qualified personnel only. Set the function electronic board and the built-in battery charger according to the type of batteries used (WET or AGM batteries).

Check the batteries for damage before installation. Disconnect the battery connector (A, Fig. 5) and the battery charger plug (I).

Handle the batteries with great care.

Install the battery terminal protection caps supplied with the machine.

The machine requires two 12 V batteries, connected according to the diagram (A, Fig. 6).

The machine can be supplied in one of the following modes:

A) Batteries (WET or AGM) already installed and charged

1. Check that the batteries are connected to the machine with the connector (A, Fig. 5).
2. Insert the ignition key (B) and turn it to "I".
If the green warning light (C) turns on, the batteries are charged.
If the yellow (D) or red warning light (E) turns on, the batteries must be charged (see the procedure in Maintenance chapter).

B) Without batteries

1. Buy appropriate batteries (see the Technical Data paragraph).
2. For battery choice and installation, apply to qualified battery Retailers.
3. Set the machine and the battery charger according to the type of batteries (WET or AGM), as shown in the next paragraph.

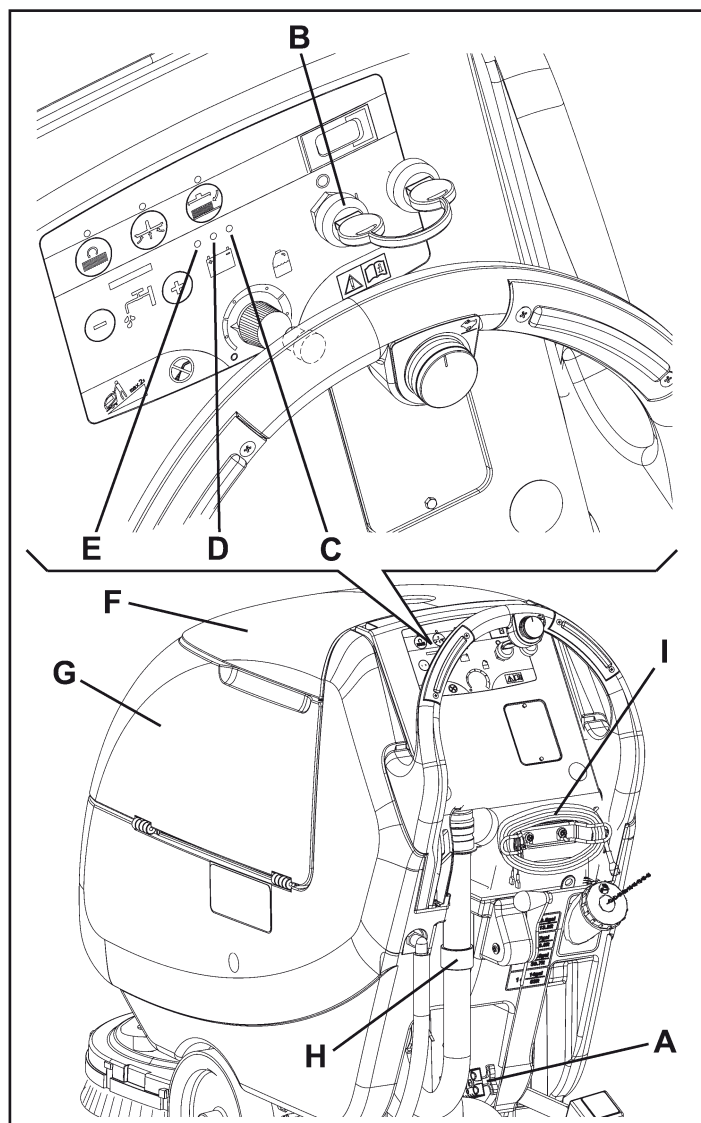


Figure 5

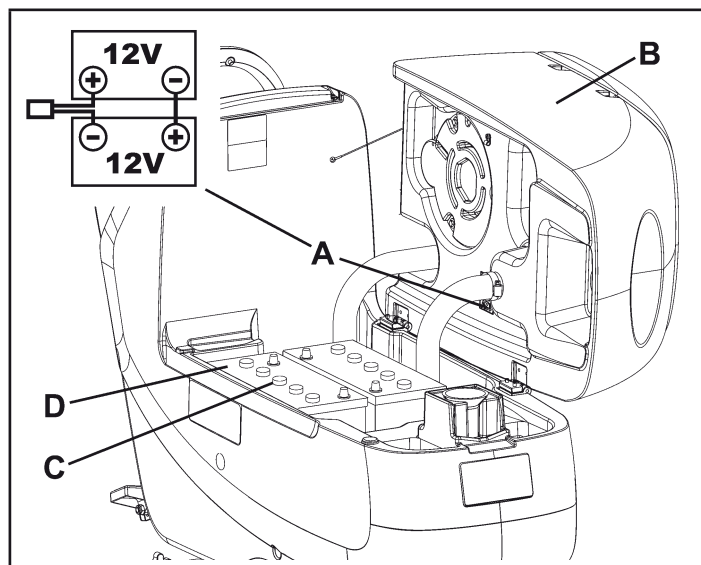


Figure 6

BATTERY INSTALLATION AND BATTERY TYPE SETTING (WET OR AGM)

According to the type of batteries (WET or AGM), set the machine and electronic board of the battery charger as follows:

Machine setting

1. Turn the ignition key (A, Fig. 7) to "I" and in the very first seconds of machine operation pay attention to the following:
 - If the green warning light (B) is flashing, the machine is set to AGM.
 - If the red warning light (C) is flashing, the machine is set to WET.
2. If the setting is to be changed, perform the following procedure.
3. Turn off the machine and turn the ignition key (A) to "0".
4. Press and hold the switches (D) and (E) at the same time, then turn the ignition key (80) to "I".
5. Continue to hold switches (D) and (E) until warning light (B) or (C) starts blinking.
6. Immediately release the switches and press the middle switch (E) to toggle to the other setting. (this must be done while the light is blinking to change the setting). Cycle the key switch to check.

Battery charger setting

7. Remove the battery charger data inspection window screws (F).
8. Remove the inspection window (G).
9. Turn the battery charger selector (H) to WET position for lead batteries, or to GEL position for AGM batteries.
10. Install the inspection window (G) and tighten the screws (F).

Battery installation

11. Open the cover (I) and check that the recovery water tank (J) is empty, otherwise empty it with the drain hose (K).
12. Carefully lift the tank (A, Fig. 8).
13. Install the batteries (B).

Battery charging

14. Charge the batteries (see the procedure in Maintenance chapter).

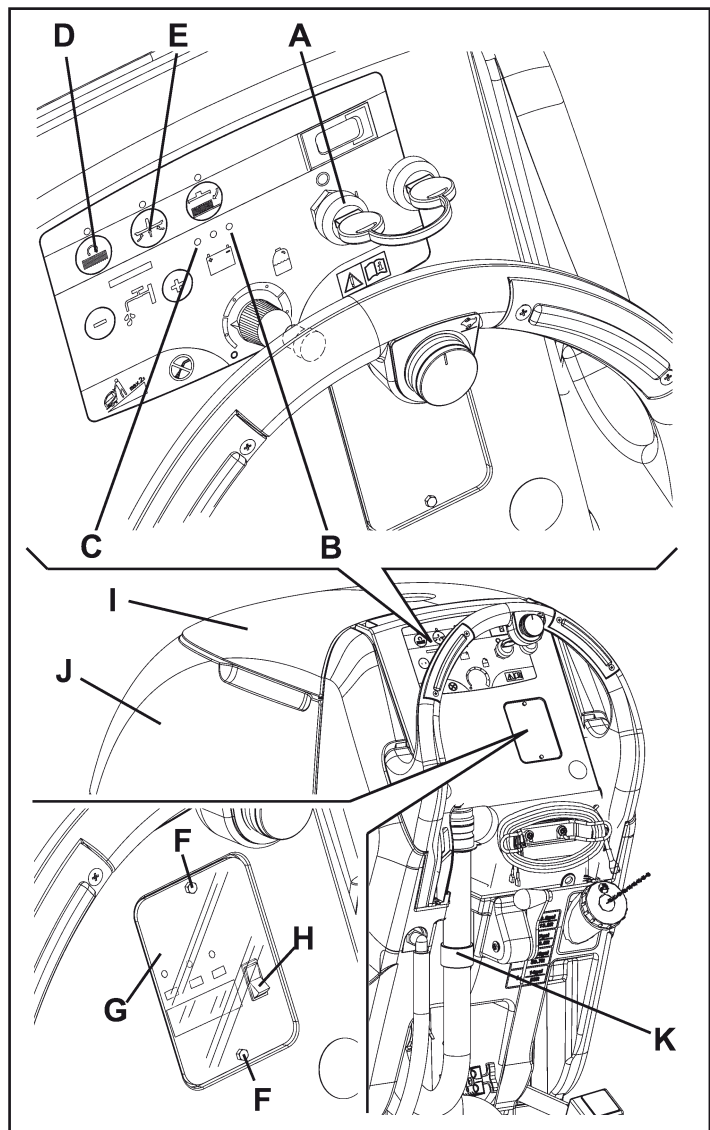


Figure 7

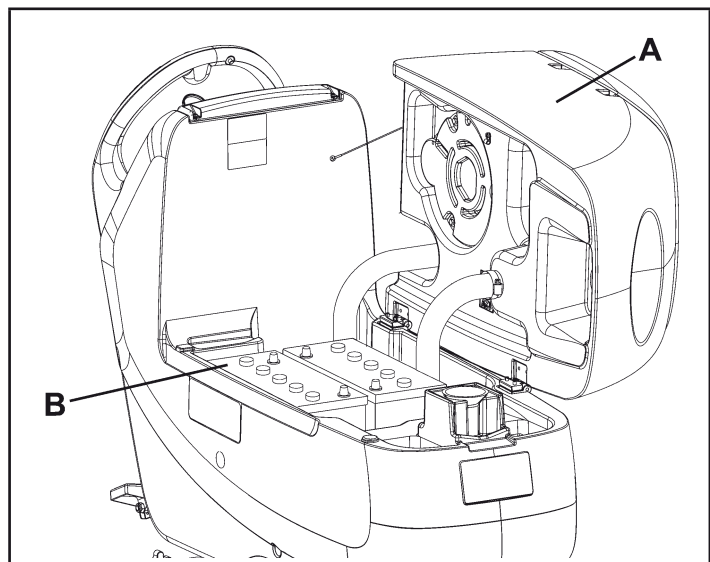


Figure 8

BEFORE START-UP

Brush/pad-holder deck or cylindrical brush deck installation/removal

On the machine it is possible to install/remove either the brush/pad-holder deck (A, Fig. 9) or the cylindrical brush deck (E).

For deck installation/removal see the procedure in Maintenance chapter.

Brush/pad-holder installation/removal

1. According to the kind of cleaning to be performed, the machine can be equipped either with brushes (B) or pad-holders (C) with pads (D) together with the appropriate deck.
2. Insert the ignition key (A, Fig. 10) and turn it to "I".
3. If equipped, turn the speed adjuster (B) to idle by turning it counter-clockwise.
4. Place the brushes (B, Fig. 9) or the pad-holder (C) under the 17 in / 20 in (430 mm / 530 mm) deck (A).
5. Lower the deck on the brushes/pad-holders by pressing the pedal (C, Fig. 10).
6. Turn the ignition key (A) to "I".
7. Press the brush/pad-holder switch (D).
8. Press one of the switches (E) to engage the brush/pad-holder, then release it. If necessary, repeat the procedure until the brushes/pad-holders are engaged.



WARNING!

(Only for FOCUS II L17, FOCUS II L20): Turn the speed adjuster (B, Fig. 10) counter-clockwise to drive the machine at the minimum speed.

To engage the brush/pad-holder press the switch (E) which turns on the brush/pad-holder motor.

9. To remove the brushes/pad-holders, the deck must be lifted by pressing the pedal (C), then press the switch (F) and wait for the brush/pad-holder to fall on the floor. Turn the ignition key (A) to "0".

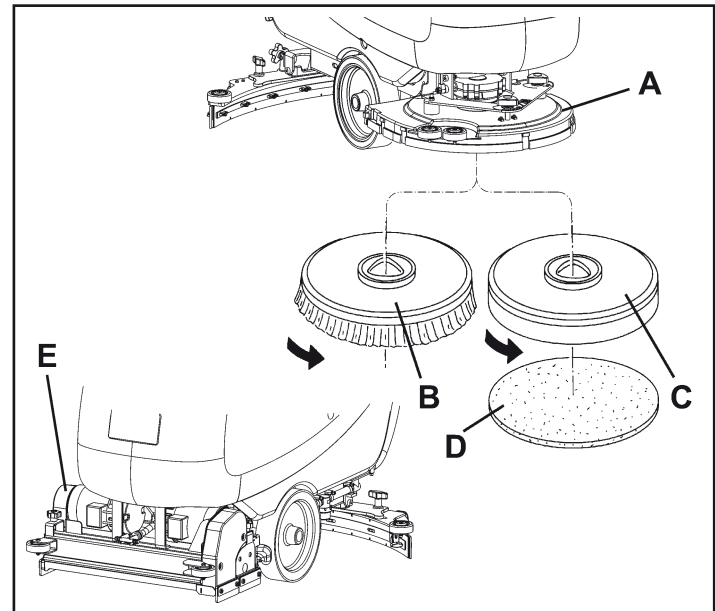


Figure 9

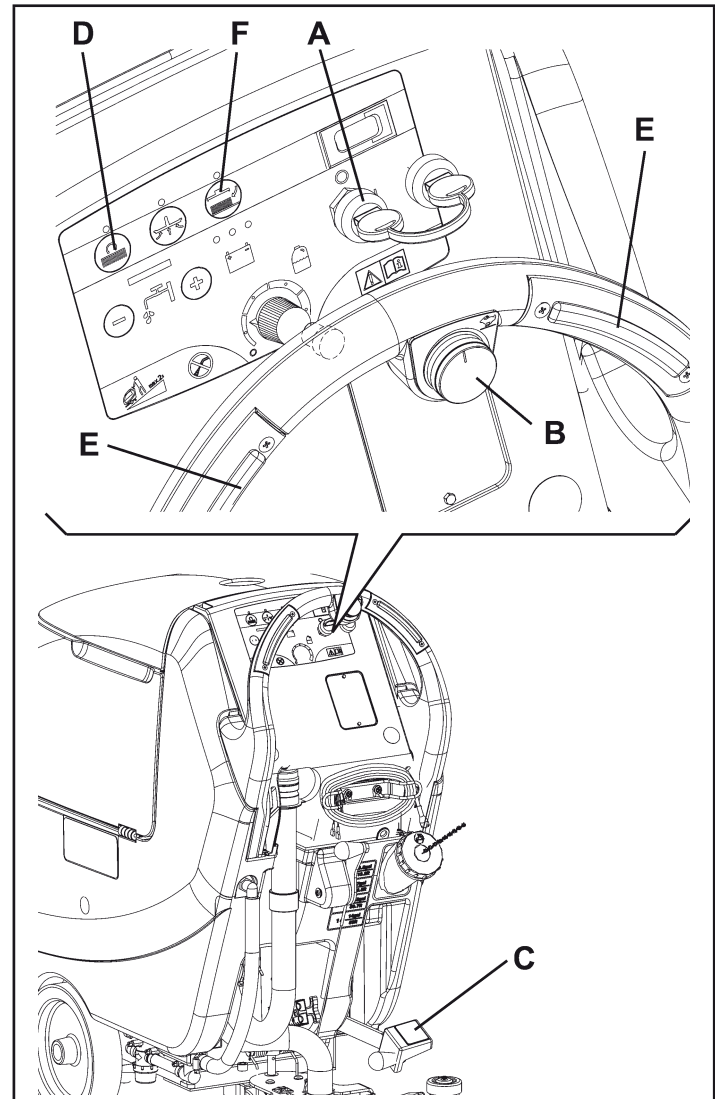


Figure 10

Types of brushes available

17 in (430 mm) models	20 in (508 mm) models
Light Grit	Light Grit
Medium Grit	Medium Grit
Polypropylene	Polypropylene
Lite Poly	Lite Poly

Brush/pad application guide (suggestions only)

Models	Light Grit	Medium Grit	Polypropylene	Lite Poly
General cleaning:				
Concrete				
Terrazzo floor				
Ceramic tiles/quarrrstones				
Marble				
Vinyl tiles				
Rubber tiles				

Cylindrical brush installation/removal (only for FOCUS II L20 Cyl.)

1. Turn the ignition key (A, Fig. 11) to "0".
2. Lift the cylindrical brush deck by pressing the pedal (B).
3. Turn the knobs (A, Fig. 12) and remove the doors (B) by pushing them downwards and pressing on the knobs.
4. Install the cylindrical brushes (C).
5. Install the doors (B) and fasten them with the knobs (A).
6. To remove the cylindrical brushes, perform steps 1 to 5 in the reverse order.

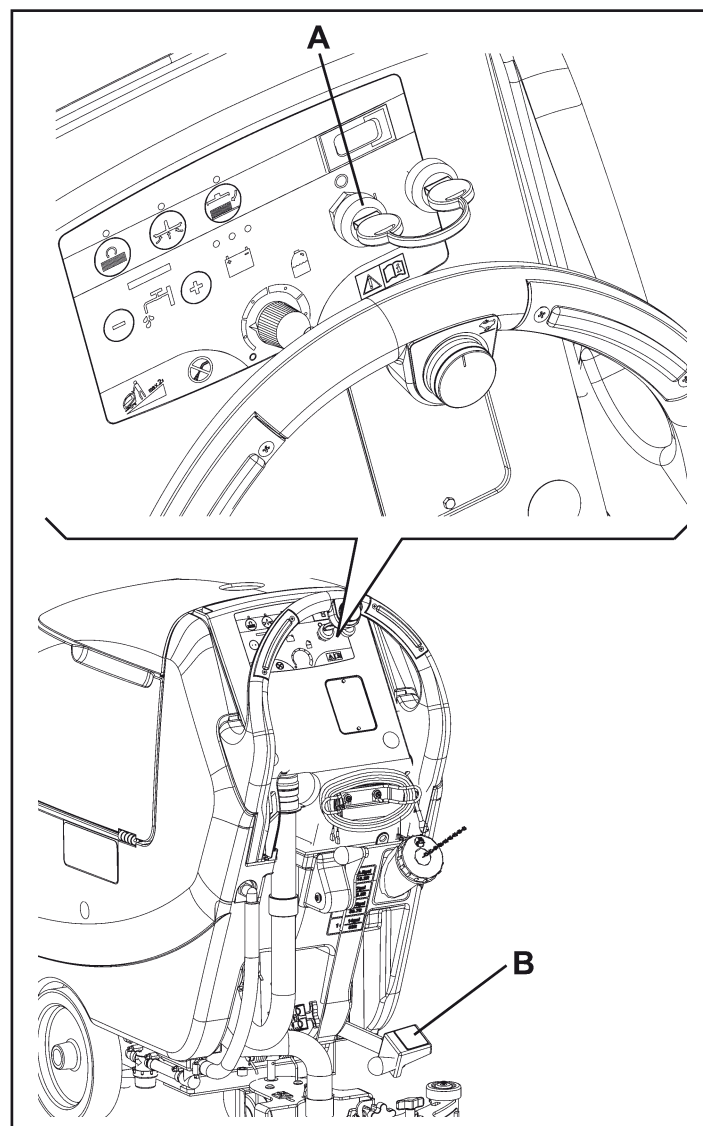


Figure 11

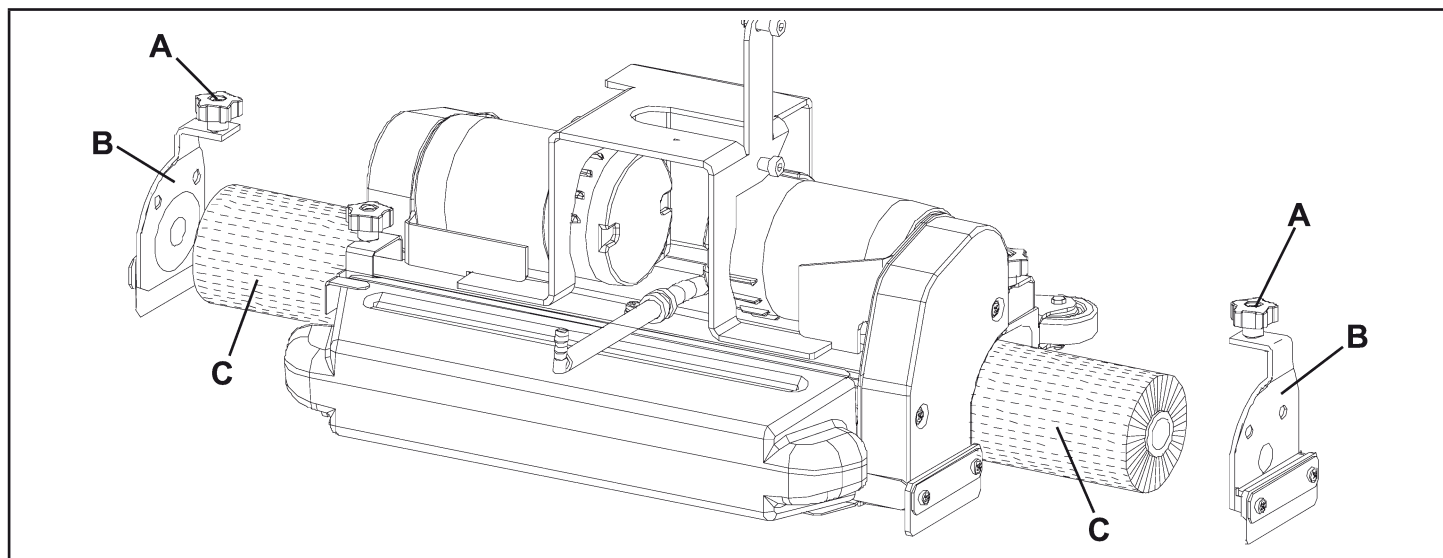


Figure 12

Types of cylindrical brushes available

19.1 in (485 mm) models
Poly Plus 0.40
Polypropylene 0.45
Medium Grit

Cylindrical brush application guide (suggestions only)

Models	Poly Plus	Polypropylene	Medium Grit
General cleaning:			
Concrete			
Terrazzo floor			
Ceramic tiles/quarrrstones			
Marble			
Vinyl tiles			
Rubber tiles			

Squeegee installation

1. Install the squeegee (A, Fig. 13) and fasten it with the knobs (B), then connect the vacuum hose (C) to the squeegee.
2. Adjust the squeegee with the knob (D) so that the rear blade touches the floor along all its length.

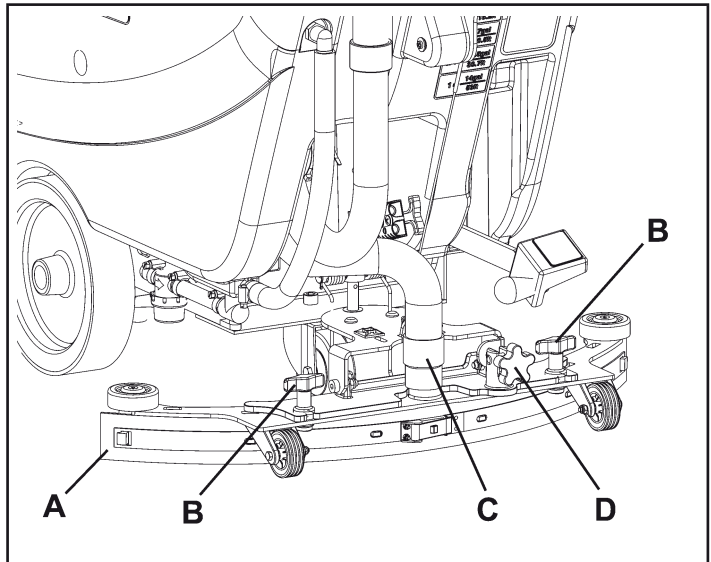


Figure 13

Guide to match squeegees and brush/pad-holder/cylindrical brush decks

Deck model	Squeegee model
Deck with one brush, brush diameter: 17in (430 mm)	Aluminum (A, Fig 13), width 29.9 in (760 mm)
Deck with one brush, brush diameter: 20 in (508 mm)	
Deck with two brushes, brush length: 19,1 in (485 mm)	
Deck with one brush rectangular, brush width: 20 in (508 mm)	

Solution or washing water tank filling



NOTE

If the machine is equipped with Chemical Mixing System (optional) the tank must be filled with clean water, otherwise the tank must be filled with solution.

1. Open the filler neck (A, Fig.14).
2. **(For machines without Chemical Mixing System)**
Use the front filler neck (B) or the rear filler neck (C) to fill the tank (D) with a solution suitable for the work to be performed. Refill to the reference mark "1" of the level check hose (H). Always follow the dilution instructions on the label of the chemical product used to prepare the solution. The solution temperature must not exceed +104°F (+40°C).



WARNING!

Use only low-foam and non-flammable detergents, intended for automatic scrubber applications.

3. **(For machines with Chemical Mixing System)**
Fill the tank (D) with clean water by using the filler neck (B) or the rear filler neck (C). Refill to the reference mark "1" of the level check hose (H). The water temperature must not exceed +104°F (+40°C).

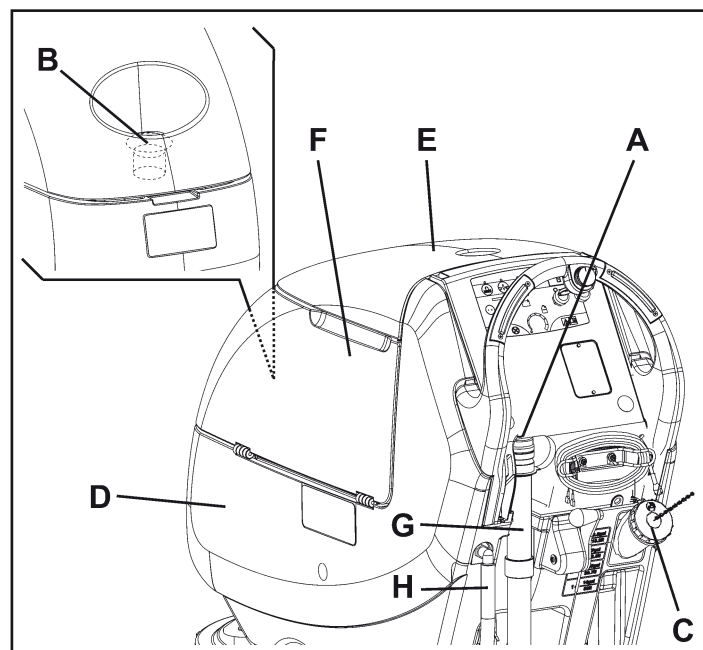


Figure 14

Detergent tank filling (For machines with Chemical Mixing System)

1. Open the cover (E) and check that the recovery water tank (F) is empty, otherwise empty it with the drain hose (G).
2. Carefully lift the tank (A, Fig. 15).
3. Open the cap (B).
4. Replace or fill the jug (C) with any standard gallon container of detergent suitable for the work to be performed (highly concentrated detergents). Do not fill the detergent tank completely, leave a few centimeters from the edge.



WARNING!

Use only low-foam and non-flammable detergents, intended for automatic scrubber applications.



NOTE

To install a new jug container, determine the cap size and if it is the smaller cap, remove the reducing adapter from the hose cap (B). Insert the suction tube into the jug (C). Pushdown firmly on the cap (B) and twist at the same time to put the cap back onto the jug (C). In case of new system, system emptied for cleaning, etc., wait for the hoses to fill up, before starting the Chemical Mixing System.

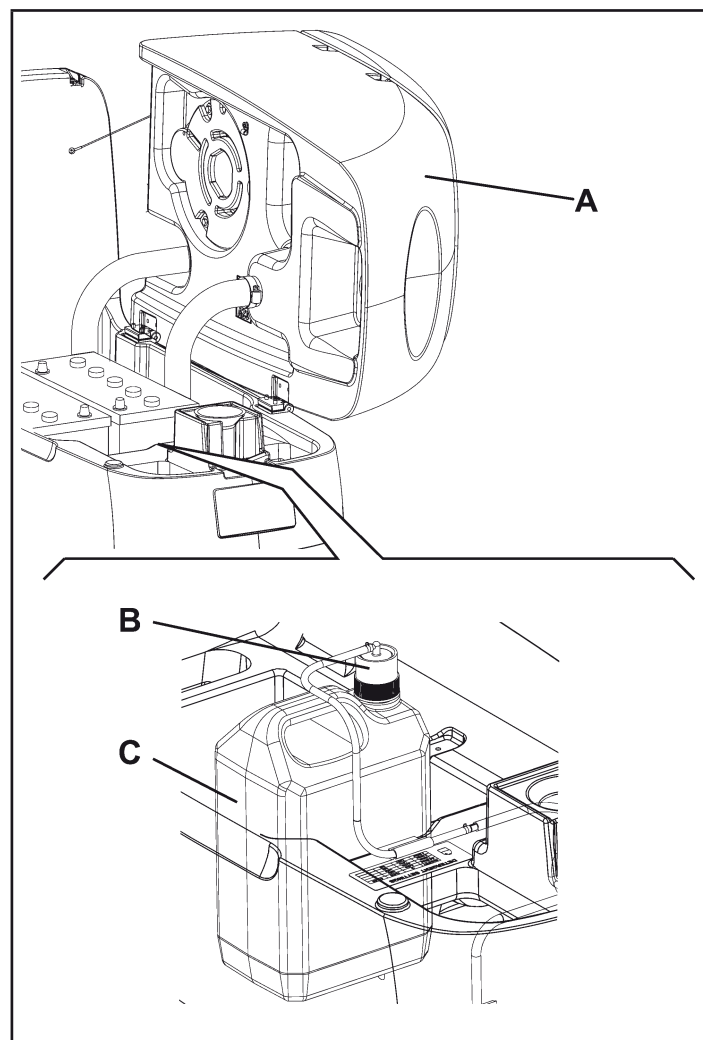


Figure 15

MACHINE START AND STOP

Starting the machine

1. Prepare the machine as shown in the previous paragraph.
2. Insert the ignition key (A, Fig. 16) and turn it to "I".
Check that the green warning light (B) turns on (charged battery).
If the yellow (C) or red warning light (D) turns on, turn the ignition key back to "0" and charge the batteries (see the procedure in Maintenance chapter).
3. Drive the machine to the working area:
 - By pushing it with the hands on the handlebar (E) (only for **FOCUS II S20**).
 - By pushing it with the hands on the handlebar (E) and pressing the switch (F) to move forward, or pressing the switch (F) together with the switch (G) to move backward (only for **FOCUS II L17, FOCUS II L20, FOCUS II L20 Cyl., BOOST L20**).

The forward speed can be adjusted with the adjuster (H).

4. Lower the squeegee (I) with the lever (J).
5. Lower the brush/pad-holder deck (K) by pressing the pedal (L).
6. Press the brush/pad-holder switch (M) and the vacuum system switch (N).
7. Press the washing water flow control switches (O) as necessary, depending on the type of cleaning to be performed.
8. Start cleaning:
 - (Only for **FOCUS II S20**) by pushing the machine with the hands on the handlebar (E) and pressing the switch (F).
 - (Only for **FOCUS II L17, FOCUS II L20, FOCUS II L20 Cyl., BOOST L20**) by pushing the machine with the hands on the handlebar (E) and by pressing the switch (F). If necessary, the forward speed can be adjusted with the adjuster (H).



NOTE

To move the machine forward, press either the left or right switch (F) or both.

Stopping the machine

9. Stop the machine by using the handlebar (E) (Only for **FOCUS II S20**).
Stop the machine by releasing the switches (F) (Only for **FOCUS II L17, FOCUS II L20, FOCUS II L20 Cyl., BOOST L20**).
10. Stop the brushes and the vacuum system by pressing the switch (M). The vacuum system stops after a few seconds.
11. Lift the brush/pad-holder deck (K) by pressing the pedal (L).
12. Lift the squeegee (I) with the lever (J).
13. Turn the ignition key (A) to "0".
14. Make sure that the machine cannot move independently. ù

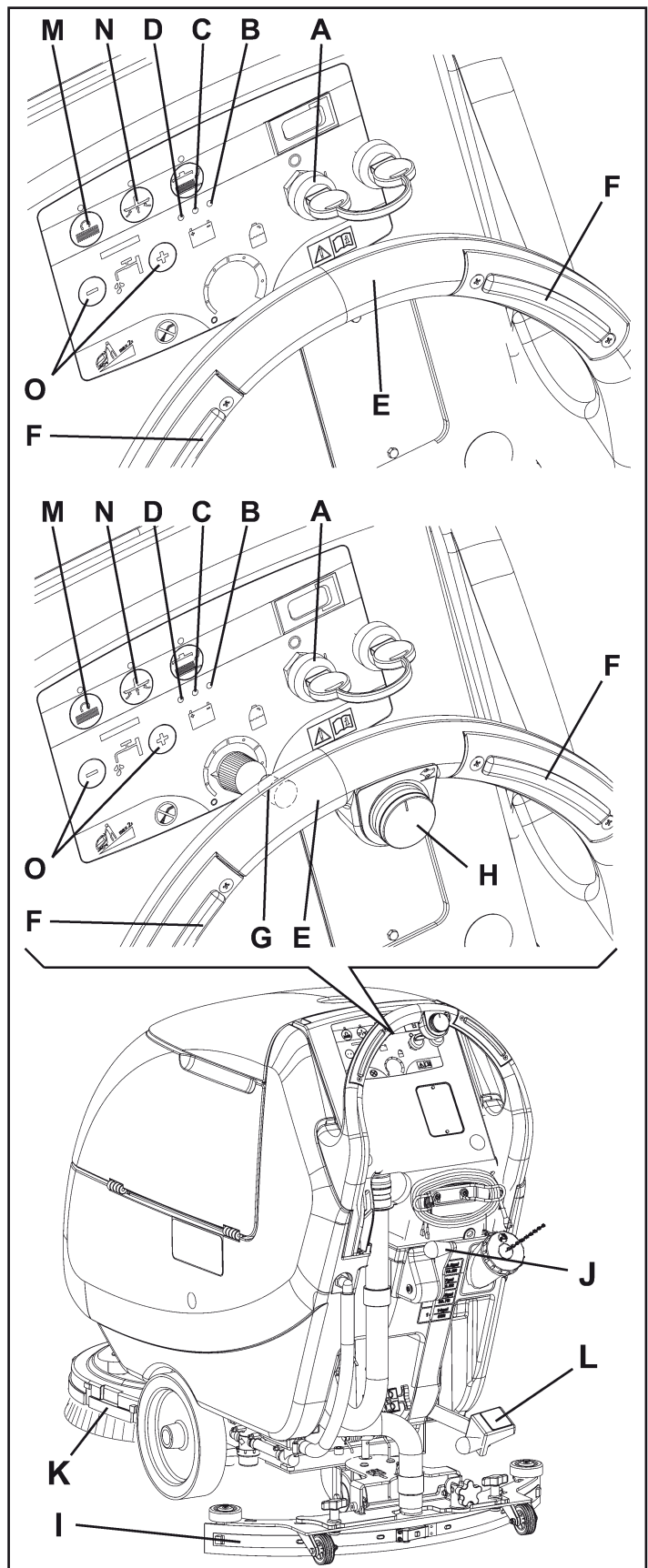


Figure 16

MACHINE OPERATION (SCRUBBING/DRYING)

1. Start the machine as shown in the previous paragraph.
2. If necessary, press the washing water flow control switches (A and B, Fig. 17) as necessary, depending on the type of cleaning to be performed.
3. If necessary, stop the machine and adjust the squeegee with the knob (C) so that the rear blade (D) touches the floor along all its length.

Machine drive controls



CAUTION!

These procedures must be performed by qualified personnel or Clarke personnel only.

The machine speed and forward movement capability depends on the floor type and on the choice of using brush or pad.

These can be adjusted by two screws (B and D, Fig.18), which are on the brush plate, according to the following procedure:

- Loosen the nut (A); when turning the adjusting screw (B) counter-clockwise, the machine moves towards the left; when turning it clockwise the machine moves towards the right.
- (Only for **FOCUS II S20**) loosen the nut (C); when turning the adjusting screw (D) counter-clockwise, the machine speed increases; when turning it clockwise the machine speed decreases.

When the procedure is completed, tighten the nuts (A and/or C).

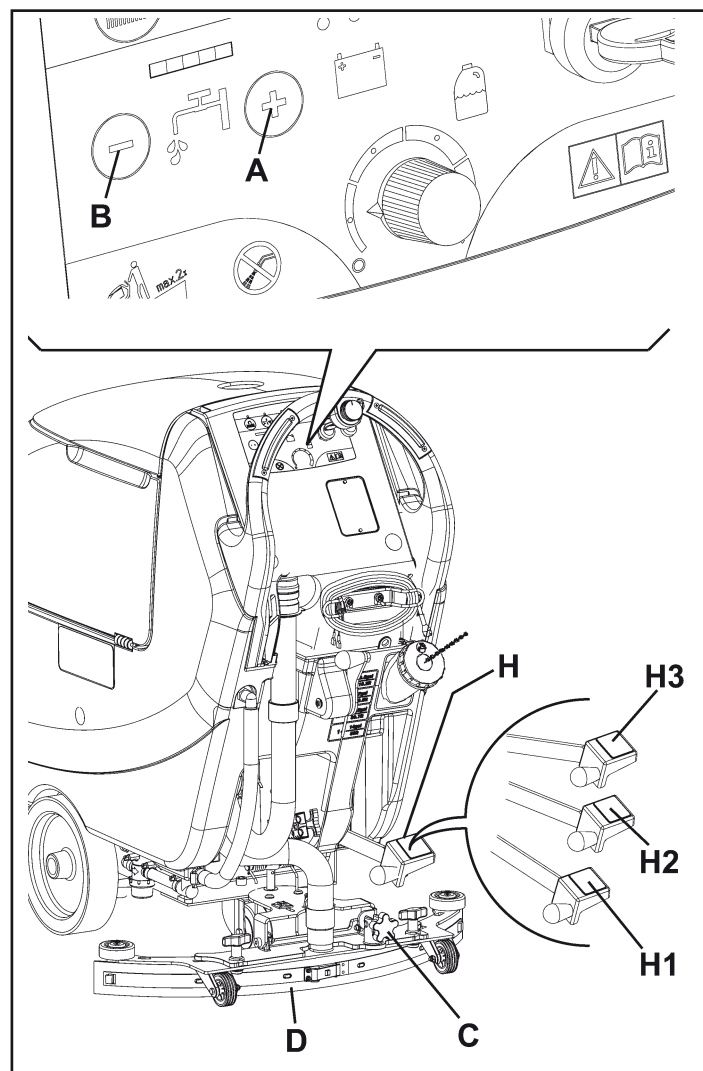


Figure 17

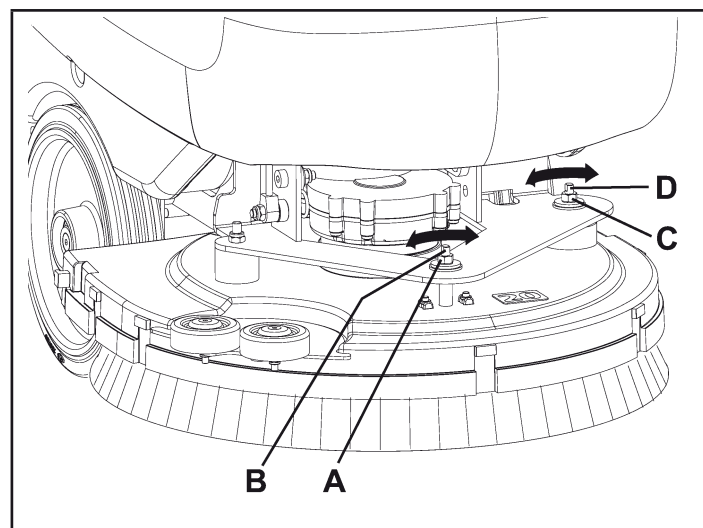


Figure 18



NOTE

For correct scrubbing/drying of floors at the sides of the walls, Clarke suggests to go near the walls with the right side of the machine (A and B, Fig. 19) as shown in the figure.



CAUTION!

To avoid any damage to the floor surface, turn off the brushes/pad-holders when the machine stops in one place, especially when the extra pressure function is on.

Detergent flow adjustment

(For machines with Chemical Mixing System)

1. Turn the knob (A, Fig. 20) clockwise or counter-clockwise to increase or decrease the detergent concentration.
2. The average detergent concentration values, matching the 4 colored areas of the scale (B), are shown in the figure.
3. To set the detergent quantity to zero, fully turn the knob (A) counter-clockwise.



NOTE

The detergent concentration is kept constant even if the washing water flow is changed with the switches (C) or (D).

Working with brush/pad-holder extra pressure function turned on

If the floor proves to be particularly difficult to clean, it is possible to turn on the brush/pad-holder extra pressure function by pressing the pedal (E) to position (E3).



CAUTION!

When the cylindrical brush deck (S, Fig. 2 - Page 9) is installed, the extra pressure function is not enabled.

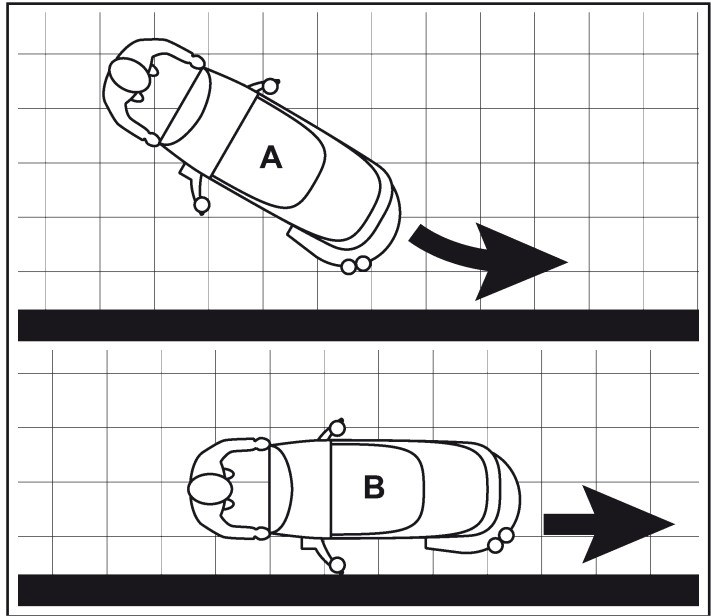


Figure 19

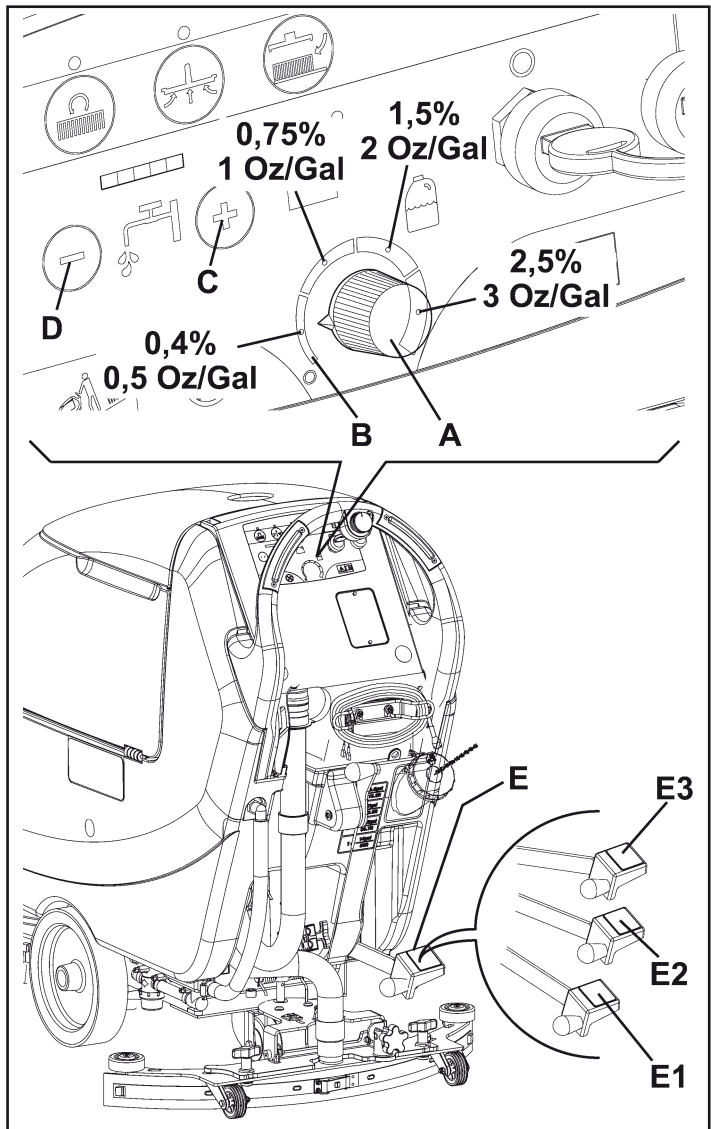


Figure 20

Battery discharge during operation

Until the green warning light (A, Fig. 21) stays on, the batteries allow the machine to work normally. When the green warning light (A) turns off, and the yellow warning light (B) turns on, it is advisable to charge the batteries, because the remaining charge will last for a few minutes (depending on battery characteristics and work to be performed). When the red warning light (C) turns on, batteries are fully discharged. After a few seconds, the brush/pad-holder is automatically tuned off, while the vacuum system and (only for **FOCUS II L17, FOCUS II L20, FOCUS II L20 Cyl., BOOST L20**) the drive system stay on, to finish drying the floor and drive the machine to the appointed recharging area.

⚠ CAUTION!

Do not use the machine with discharged batteries, to avoid damaging the batteries and reducing the battery life.

TANK EMPTYING

An automatic float shut-off system (A, Fig. 22) stops the vacuum system when the recovery water tank (B) is full. The vacuum system deactivation is signaled by a sudden increase in the vacuum system motor noise frequency, also the floor has not dried.

⚠ CAUTION!

If the vacuum system turns off accidentally (for example, when the float is activated because of a sudden machine movement), to resume the operation: turn off the vacuum system by pressing the switch (D, Fig. 19), then open the cover (C, Fig. 22) and check that the float inside the grid (A) has gone down to the water level. Then close the cover (C) and turn on the vacuum system by pressing the switch (D, Fig. 19).

When the recovery water tank (B, Fig. 21) is full, empty it according to the following procedure.

Recovery water tank emptying

1. Stop the machine.
2. Lift the brush/pad-holder deck (E, Fig. 21) by pressing the pedal (F).
3. Lift the squeegee (G) with the lever (H).
4. Drive the machine to the appointed disposal area.
5. Empty the recovery water tank with the hose (I). Then, rinse the tank (B, Fig. 22) with clean water.

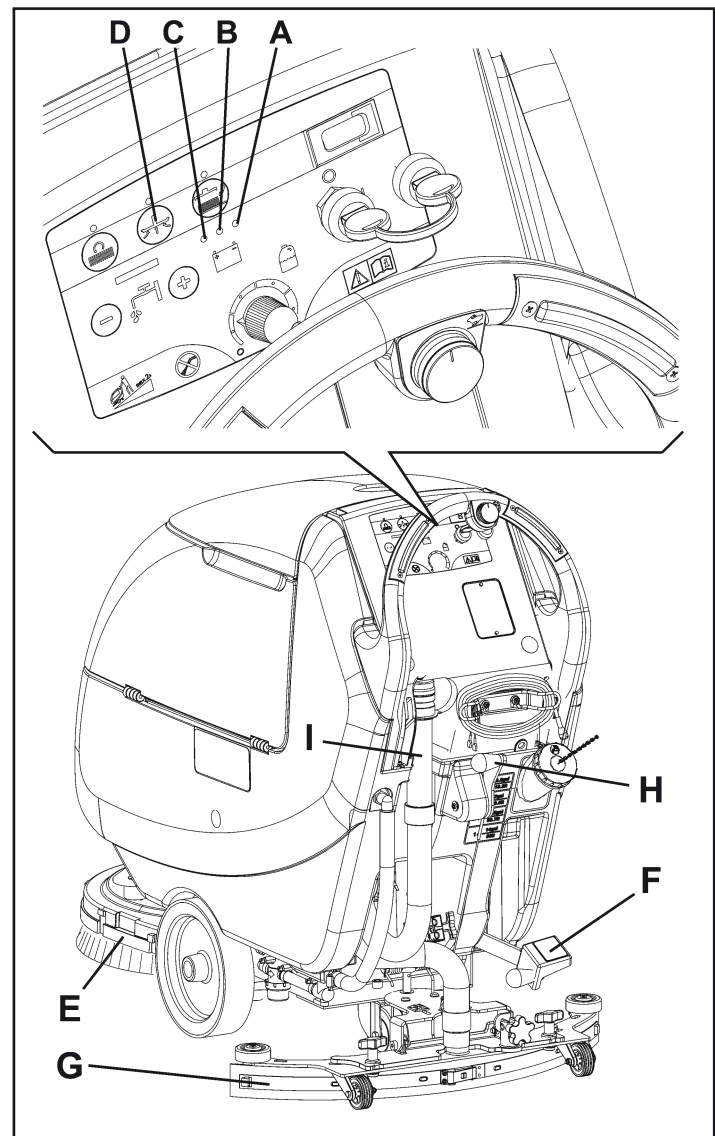


Figure 21

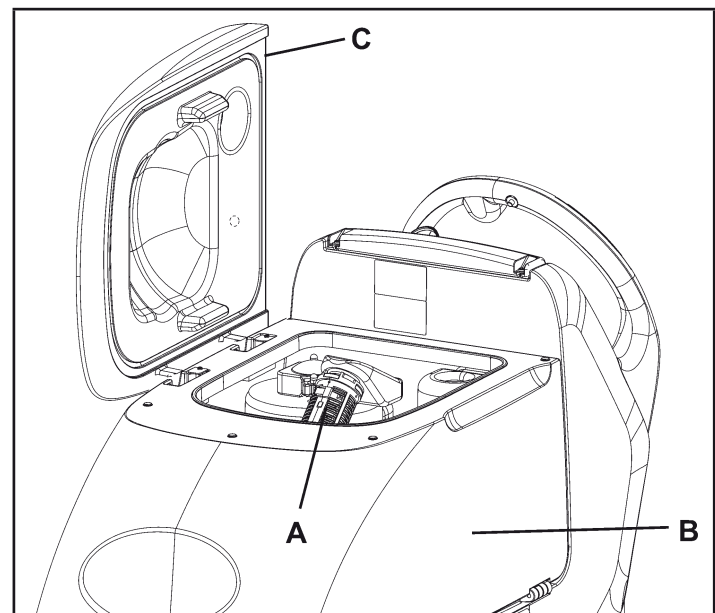


Figure 22

Solution/clean water tank emptying

6. Perform steps 1 to 4.
7. Empty the solution tank with the hose (A, Fig. 23). After working, rinse the tank with clean water.

Cylindrical brush debris container emptying (only for cylindrical brush deck)

8. Stop the machine.
9. Lower the cylindrical brush-holder deck and remove the debris container (A, Fig. 24) by pulling it on one side with the handle (B).
10. Empty and wash the debris container (A), and then install it by engaging it on the fasteners.

AFTER USING THE MACHINE

After working, before leaving the machine:

1. Remove the brushes/pad-holders as shown on pages 13 and 15.
2. Empty the tanks (B and C, Fig. 23) and the debris container (A, Fig. 24) as shown in the previous paragraph.
3. Perform the daily maintenance procedures (see the Maintenance chapter).
4. Store the machine in a clean and dry place, with the brushes/pad-holders and the squeegee lifted or removed.

MACHINE LONG INACTIVITY

If the machine is not going to be used for more than 30 days, proceed as follows:

1. Perform the procedures shown in After Using the machine paragraph.
2. Disconnect the battery connector (D, Fig. 23).

FIRST PERIOD OF USE

After the first 8 hours, check the machine fastening and connecting parts for proper tightening and check the visible parts for wear and leakage.

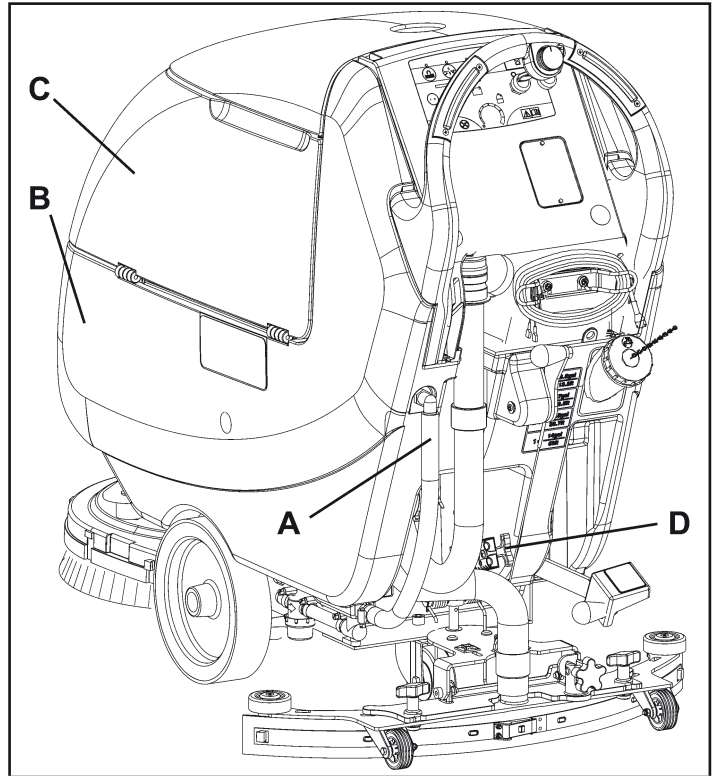


Figure 23

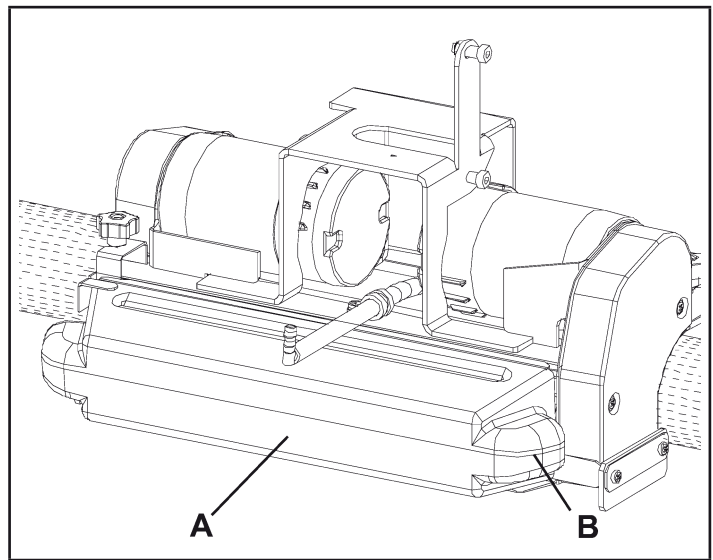


Figure 24

MAINTENANCE



WARNING!

The lifespan of the machine and its maximum operating safety are ensured by correct and regular maintenance.



WARNING!

All scheduled or extraordinary maintenance procedures must be performed by qualified personnel, or by an authorized Service Center.



WARNING!

The procedures must be performed with the machine off and the batteries disconnected. Moreover, read carefully the instructions in the Safety chapter before performing any maintenance procedure.

The following table provides the scheduled maintenance. The intervals shown may vary according to particular working conditions, which are to be defined by the person in charge of the maintenance.

This Manual describes only the easiest and most common maintenance procedures.

For other maintenance procedures shown in the Scheduled Maintenance Table, refer to the Service Manual that can be consulted at any Service Center.

SCHEDULED MAINTENANCE TABLE

Procedure	Daily, after using the machine	Weekly	Every six months	Yearly
Battery charging				
Squeegee cleaning				
Brush/pad cleaning				
Tank and vacuum grid with float cleaning, and cover gasket check				
Squeegee blade check and replacement				
Solution/clean water filter cleaning				
Vacuum system motor cleaning				
WET battery fluid level check				
Screw and nut tightening check			(1)	
Brush/pad-holder motor carbon brush check or replacement				(2)
Vacuum system motor carbon brush check or replacement				(2)
Drive system motor carbon brush check or replacement (Only for FOCUS II L17, FOCUS II L20, FOCUS II L20 Cyl., BOOST L20)				(2)

(1) And after the first 8 working hours.

(2) This maintenance procedure must be performed by Clarke authorized Service Center.

SQUEEGEE CLEANING



NOTE

The squeegee must be clean and its blades must be in good conditions in order to get a good drying.



CAUTION!

It is advisable to wear protective gloves when cleaning the squeegee because there may be sharp debris.

1. Drive the machine on a level floor.
2. Turn the ignition key (A, Fig. 25) to "0".
3. Lower the squeegee (B) with the lever (C).
4. Loosen the knobs (D) and remove the squeegee (B).
5. Disconnect the vacuum hose (E) from the squeegee.
6. Clean the steel or the aluminum squeegee (Fig. 26). Clean the compartments (A) and the hole (B) especially. Check the front blade (C) and the rear blade (D) for integrity, cuts and tears; if necessary replace them (see the procedure in the following paragraph).
7. Assemble the squeegee in the reverse order of disassembly.

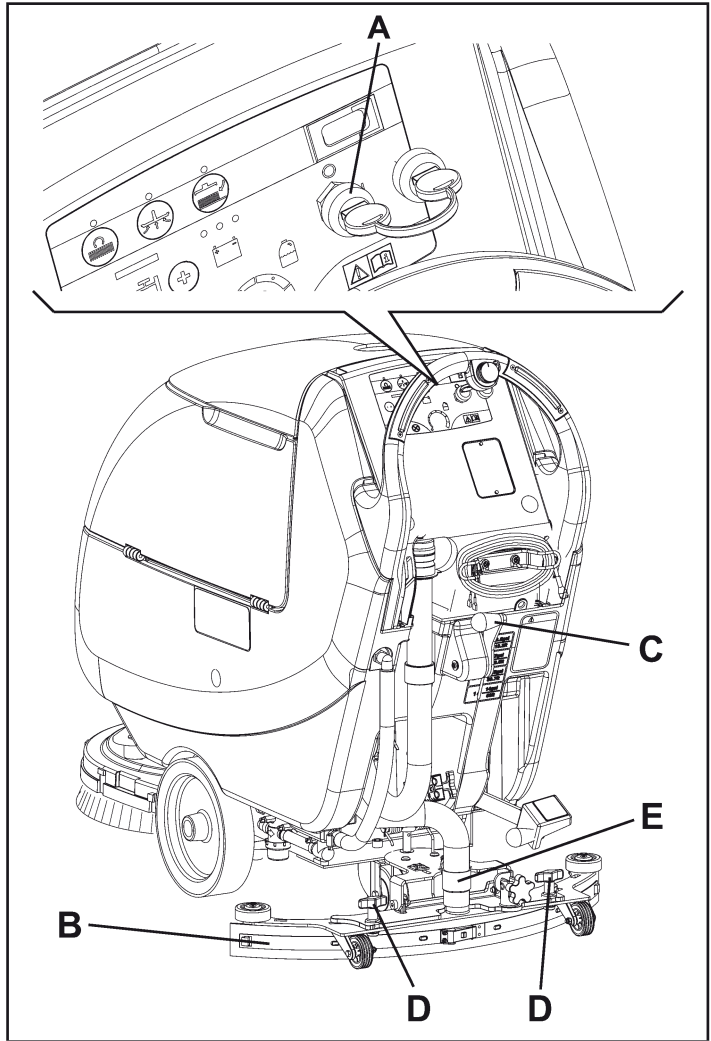


Figure 25

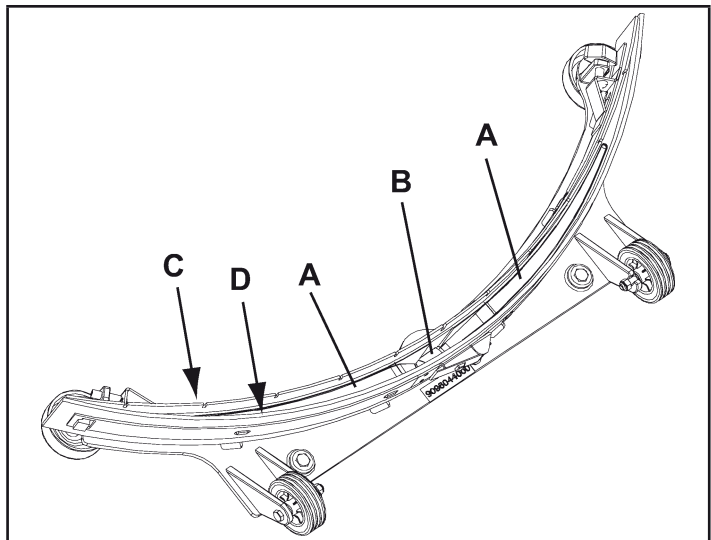


Figure 26

SQUEEGEE BLADE CHECK AND REPLACEMENT

1. Clean the steel or the aluminum squeegee, as shown in the previous paragraph.
2. Check that the edges (E, Fig. 28) of the front blade (C) and the edges (F) of the rear blade (D) lay down on the same level, along their length; if necessary adjust their height according to the following procedure:
 - Remove the tie rod (G), disengage the fasteners (M) and adjust the rear blade (D), then engage the fasteners (M) and install the tie rod (G).
 - Loosen the knobs (I) and adjust the front blade (C), then tighten the knobs.
3. Check the front blade (C) and rear blade (D) for wear, cuts and tears; if necessary replace them according to the following procedure. Check that the front corner (J) of the rear blade (D) is not worn; if necessary, overturn the blade to replace the worn corner with an integral one. If the other corners are worn too, replace the blade according to the following procedure:
 - Remove the tie rod (G), disengage the fasteners (M) and remove the retaining strip (K), then replace/overturn the rear blade (D). Assemble the blade in the reverse order of disassembly.
 - Unscrew the knobs (I) and remove the retaining strip (L), then replace the front blade (C). Assemble the blade in the reverse order of disassembly.

After the blade replacement (or overturning), adjust the height as shown in the previous step.

4. Connect the vacuum hose (A, Fig. 27) to the squeegee.
5. Install the squeegee (B) and screw down the knobs (C).
6. If necessary, adjust the squeegee balance adjusting knob (D).

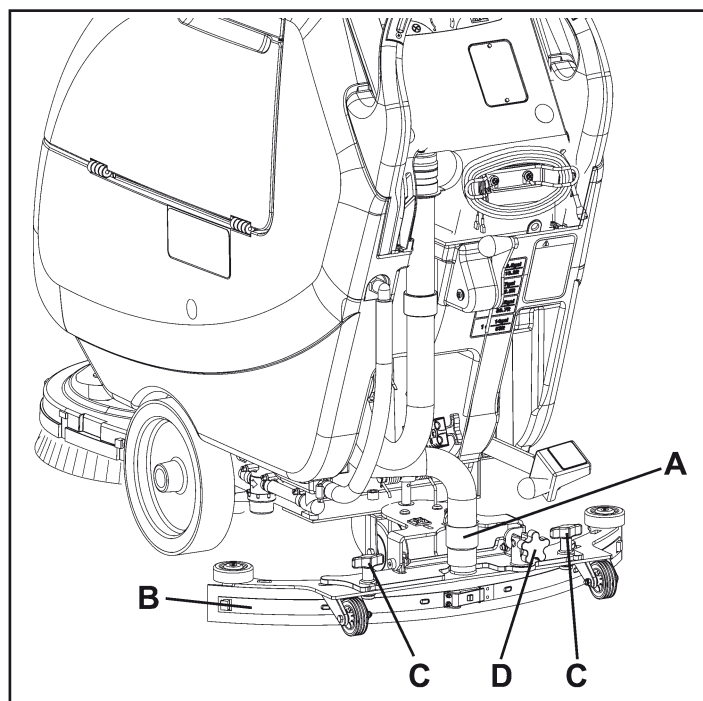


Figure 27

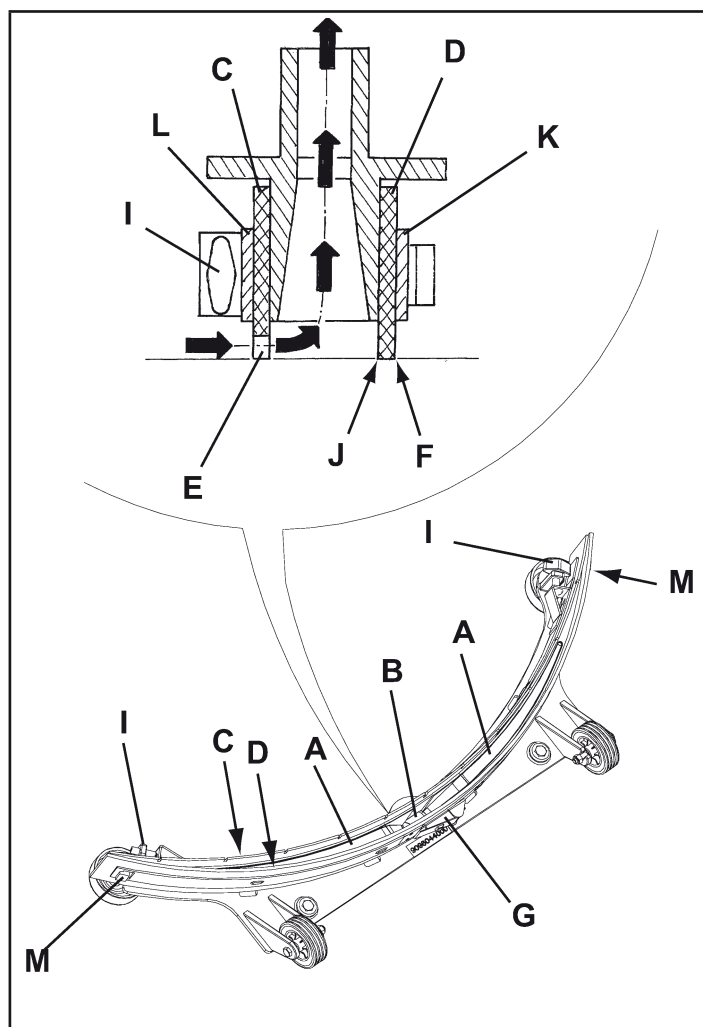


Figure 28

BRUSH/PAD CLEANING



CAUTION!

It is advisable to wear protective gloves when cleaning the brush/pad because there may be sharp debris.

1. Remove the brushes/pads from the machine, as shown in the Use chapter.
2. Clean and wash the brushes/pads with water and detergent.
3. Check that the brushes/pads are in working condition and not excessively worn; if necessary replace them.
4. Lower the cylindrical brush-holder deck and remove the debris container (A, Fig. 29) by pulling it on one side with the handle (B).

Empty and wash the debris container (A), and then install it by engaging it on the inner fasteners.

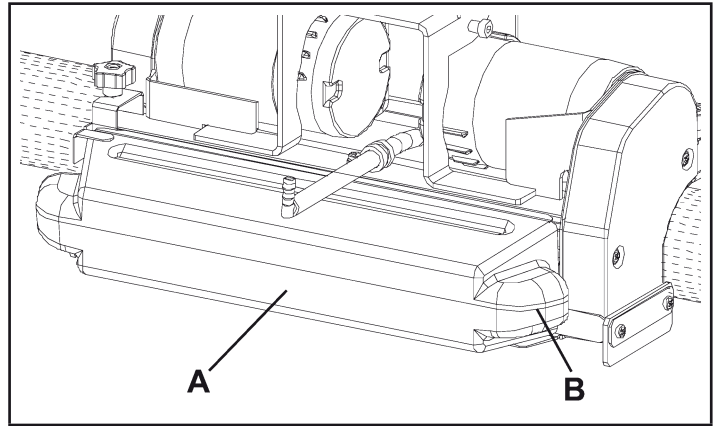


Figure 29

VACUUM SYSTEM MOTOR FILTER CLEANING

1. Drive the machine on a level floor.
2. Turn the ignition key (A, Fig. 30) to "0".
3. Lift the recovery water tank (B).
4. If necessary, drain the water from the tank in order to make the filter visible.
5. Check that the pre-filter (C) is clean. If necessary clean it with water and compressed air, then install it.
6. Perform steps 1, 2 and 3 in the reverse order.

SOLUTION/CLEAN WATER FILTER CLEANING

1. Drive the machine on a level floor.
2. Turn the ignition key (A, Fig. 30) to "0".
3. Close the solution/clean water tap (A, Fig. 31) under the machine, behind the right rear wheel. The tap (A) is closed when it is on the position (B) and it is open when it is on the position (C).
4. Remove the transparent cover (D), then remove the filter strainer (E). Clean and install them on the support (F).

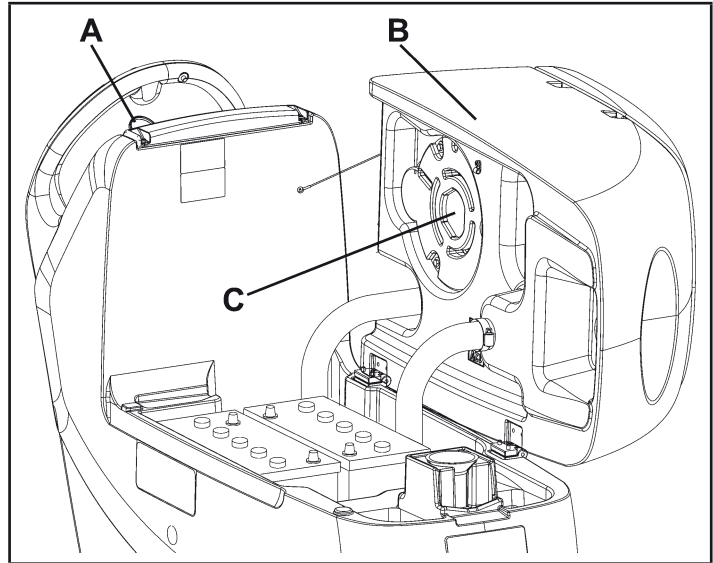


Figure 30



NOTE

The filter strainer (E) must be correctly positioned on the housing (G) of the support (F).

5. Open the tap (A).

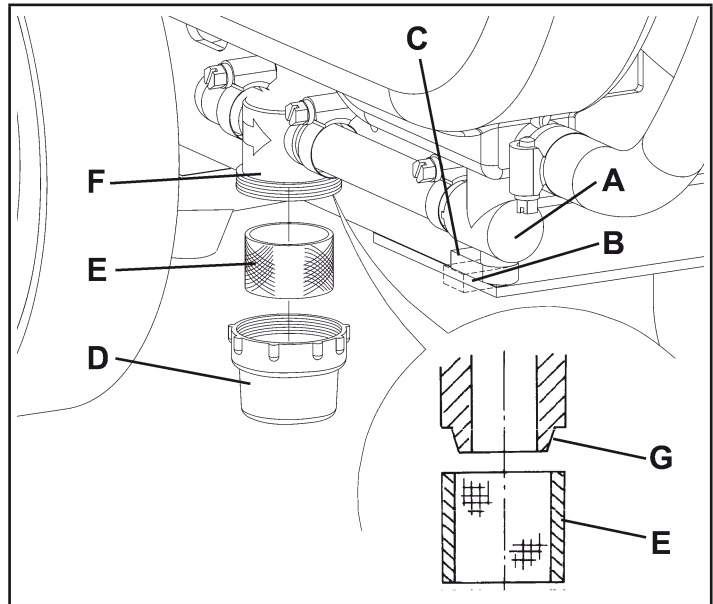


Figure 31

DETERGENT TANK CLEANING

(For machines with Chemical Mixing System)

Clean the detergent tank (C, Fig. 35) as shown below:

1. Drive the machine to the appointed disposal area.
2. Turn the ignition key (A, Fig. 34) to "0".
3. Open the cover (B) and check that the recovery water tank (C) is empty; if necessary empty it with the drain hose (D). Close the cover (B).
4. Carefully lift the tank (C).
5. Unscrew the plug (A, Fig. 35) and disconnect the hose (B) from the tank (C).
6. Remove the tank.
7. Wash the tank in the appointed disposal area.
8. Install the tank (C) and connect the hose (B).
9. After draining the detergent tank, drain the Chemical Mixing System too by running the system with clean water only.

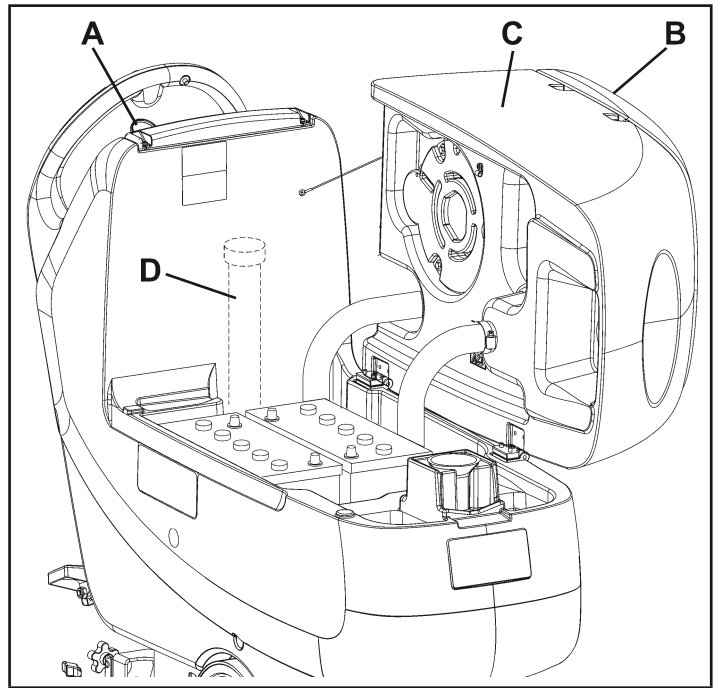


Figure 34

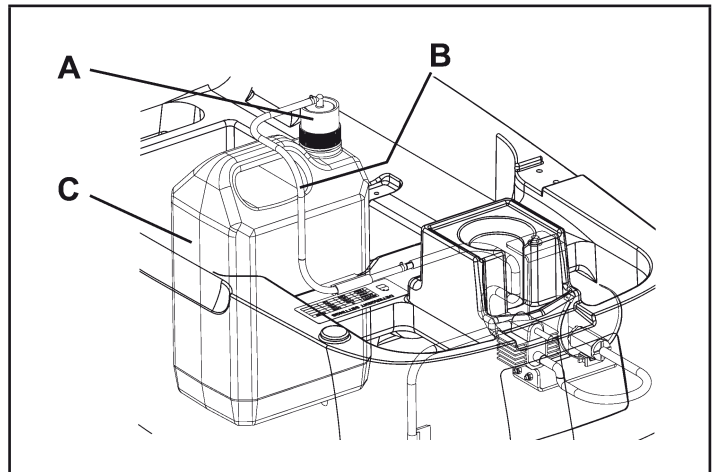


Figure 35

BRUSH/PAD-HOLDER/CYLINDRICAL BRUSH DECK DISASSEMBLY/ASSEMBLY

On the machine it is possible to install/remove either the brush/pad-holder deck (R, Fig. 2 - Page 9) or the cylindrical brush deck (S, Fig. 2 - Page 9).

Disassembly

1. Drive the machine on a level floor.
2. Remove the brushes/pad-holders as shown on pages 13 and 15. Do not remove the cylindrical brushes.
3. Lower the brush/pad-holder deck by pressing the pedal.
4. If equipped, remove the cotter pins (B, Fig. 36) and the gas spring (A).
5. Disconnect the brush/pad-holder motor electrical connection (D).
6. Disconnect the solution hose union (E).
7. Remove the screws (C), then remove the brush/pad-holder deck (F).

Assembly

8. Assemble the components in the reverse order of disassembly, and pay particular attention to the following:
 - When the machine is equipped with the cylindrical brush deck (S, Fig. 2 - Page 9), the gas spring (A, Fig. 36) must not be installed.

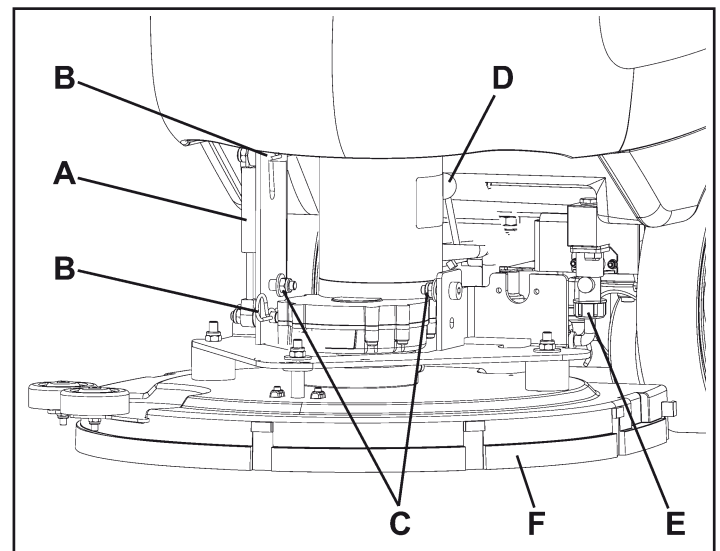


Figure 36

BATTERY CHARGING



NOTE

Charge the batteries when the yellow (A, Fig. 37) or red warning light (B) turns on, or when finishing cleaning.



CAUTION!

Keeping the batteries charged make their life last longer.



CAUTION!

When the batteries are discharged, charge them as soon as possible, as that condition makes their life shorter. Check for battery charge at least once a week.



WARNING!

WET battery charging produces highly explosive hydrogen gas. Charge the batteries in well-ventilated areas and away from naked flames. Do not smoke while charging the batteries.

Keep the tank open while charging the batteries.



WARNING!

Pay careful attention when charging the batteries as there may be battery fluid leakages. The battery fluid is corrosive. If it comes in contact with skin or eyes, rinse thoroughly with water and consult a physician.

Preliminary procedures

1. Open the cover (A, Fig. 38) and check that the recovery water tank (B) is empty, otherwise empty it with the drain hose (C).
2. Drive the machine to the appointed recharging area.
3. Turn the ignition key (C, Fig. 37) to "0".
4. Carefully lift the tank (B, Fig. 38).
5. For WET batteries only:
 - Check the level of electrolyte inside the batteries (D); if necessary, top up through the caps (E).
 - Leave all the battery caps (E) open for next charging.
 - If necessary, clean the upper surface of the batteries (D).
6. Charge the batteries according to the following procedure.

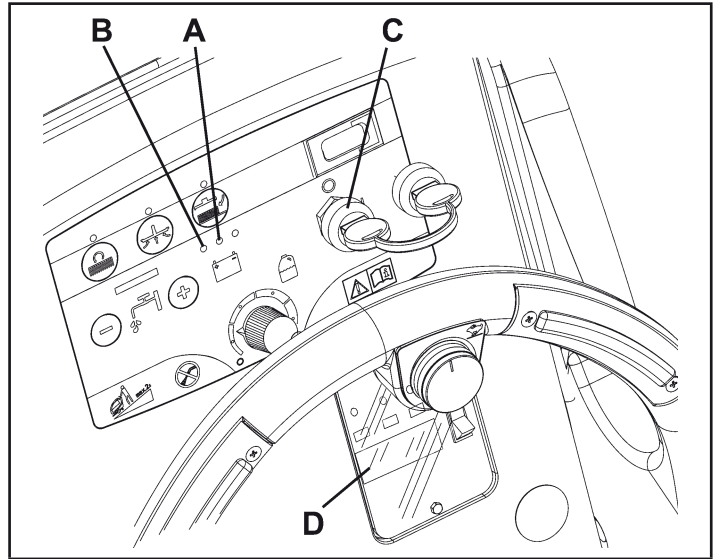


Figure 37

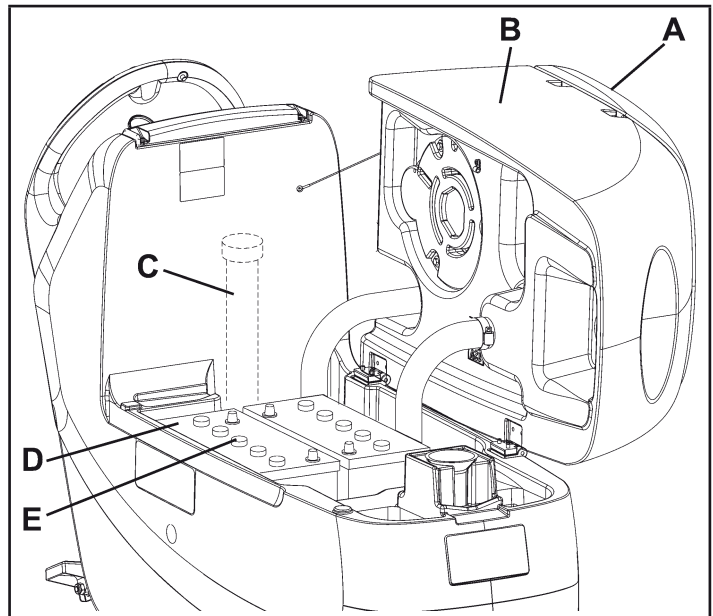


Figure 38

Battery charging with battery charger installed on the machine

7. Connect the battery charger cable (A, Fig. 40) to the electrical mains (the electrical mains voltage and frequency must be compatible with the battery charger values shown on the machine serial number plate (D, Fig. 39). When the battery charger is connected to the electrical mains, all machine functions are automatically cut off. If the red warning light (B, Fig. 40) on the battery charger control panel stays on, the battery charger is charging the batteries.
8. When the green warning light (C) turns on, the battery charging is completed.
9. When the battery charging is completed, disconnect the battery charger cable (A) from the electrical mains and wind it round its housing (D).
10. Carefully lower the tank (D).



NOTE

For further information about the operation of the battery charger (E, Fig. 40), see the relevant Manual.

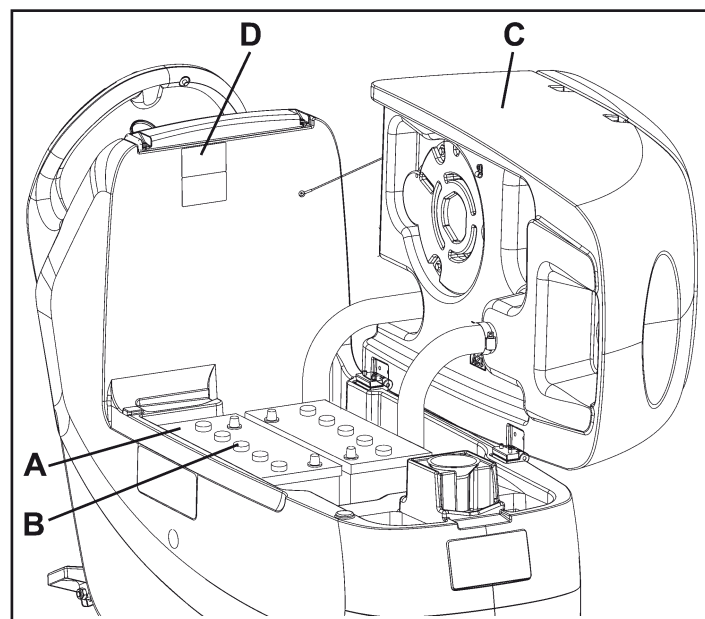


Figure 39

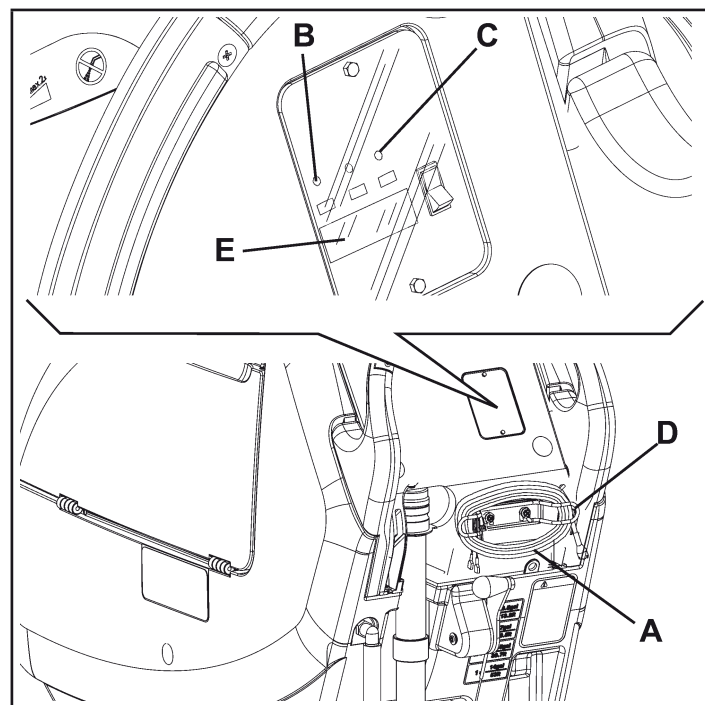


Figure 40

MACHINE WORKING HOUR CHECK

(Only if the machine is equipped with hour meter)

1. Turn the ignition key (A, Fig. 41) to "I".
2. Press the switch (B) and read on the hour meter (C) the total number of working hours (scrubbing/drying) performed by the machine.
3. Press the switch (B) again.
4. Turn the ignition key (A) to "0".

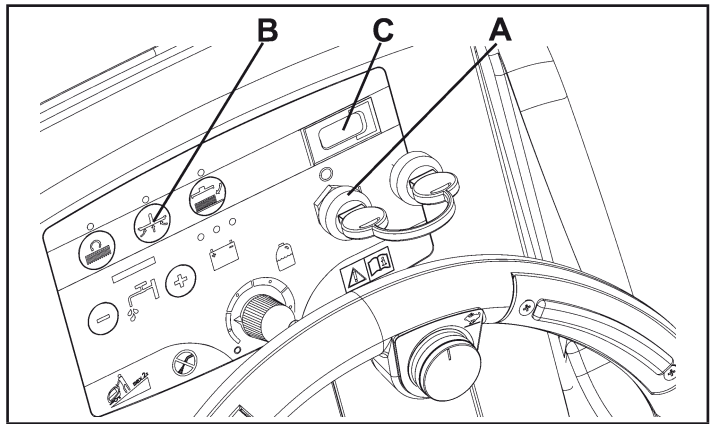


Figure 41

FUSE CHECK/REPLACEMENT

1. Disconnect the battery connector (A, Fig. 42).
2. Move aside the recovery water drain hose (B).
3. Remove the battery charger cable (I, Fig. 43) from the cable holder (J).
4. Remove the screws (A) and carefully move aside the panel (B) by disengaging the grommet (K) from its housing on the panel (B).
5. Check/replace the following fuses:
 - C) F1 fuse, deck: (40 A)
 - D) F2 fuse, vacuum system: (30 A)
 - E) F3 fuse, drive system: (30 A) (*)
 - F) F4 fuse, signal circuits: (3 A)
 - G) F5 fuse, brush/pad-holder release: (20 A)
 - H) F6 fuse, pump: (3 A)
6. Perform steps 1 to 4 in the reverse order.

(*) Only for FOCUS II L17, FOCUS II L20, FOCUS II L20 Cyl., BOOST L20

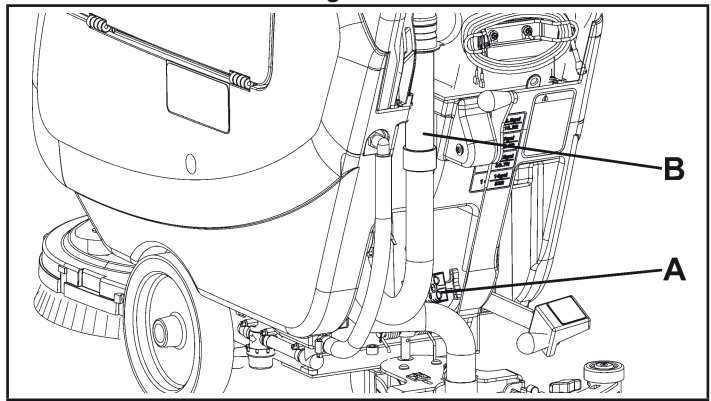


Figure 42

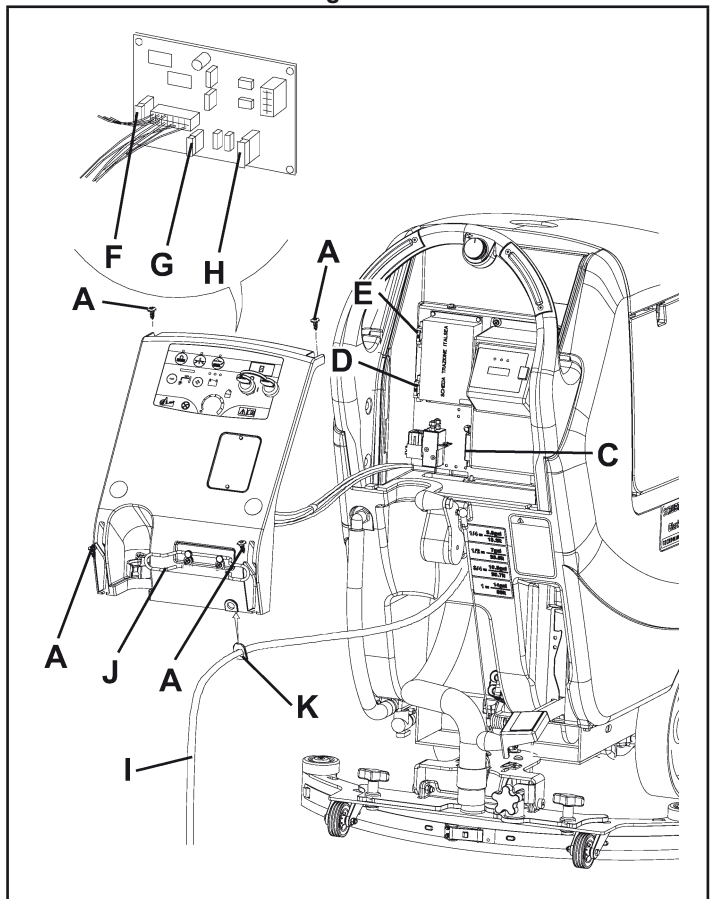


Figure 43

ACCESSORIES/OPTIONS FOR FOCUS II

In addition to the standard components, the machine can be equipped with the following accessories/options, according to the machine specific use:

For further information concerning the above-mentioned optional accessories, contact an authorized Retailer.

ACCESSORIES/OPTIONS

See "Parts List" section.

1. AGM batteries
2. Brushes and cylindrical brushes of different materials
3. Pads of different materials
4. Chemical Mixing System

TROUBLESHOOTING

Trouble	Possible Cause	Remedy
The motors do not work; no warning light turns on.	The battery connector is disconnected.	Connect the battery connector.
	The batteries are completely discharged.	Charge the batteries.
The machine does not move (Only for scrubbers with drive)	The machine has been turned on by using the ignition key and by keeping one of the switches pressed.	Turn the ignition key to "0", then try to start the machine again without pressing the switches.
The 3 battery charge indicators are flashing simultaneously.	Brush motor overload.	Use less aggressive brushes and/or avoid working with extra pressure activated.
	Foreign materials (tangled threads, etc.) which may prevent the brush from rotating.	Clean the brush hub.
The brushes do not work, the red warning light is on.	The batteries are discharged.	Charge the batteries.
The recovery water vacuuming is insufficient.	The recovery water tank is full.	Empty the tank.
	The hose is disconnected from the squeegee.	Connect.
	The vacuum grid is clogged or the float is stuck closed.	Clean the grid or check the float.
	The squeegee is dirty or the squeegee blades are worn or damaged.	Clean and check the squeegee.
	The tank cover is not properly closed, or the gasket is damaged, or the compensation hole is clogged.	Close the cover correctly, or replace the gasket or clean the compensation hole.
The solution flow to the brushes is insufficient.	The recovery water tank is dirty.	Clean.
	The solution/clean water filter is dirty.	Clean the filter.
The squeegee leaves marks on the floor.	There are debris under the squeegee blades.	Remove the debris.
	The squeegee blades are worn, chipped or torn.	Replace the blades.
	The squeegee has not been adjusted with the knob.	Adjust.



NOTE

Machine with battery charger installed, cannot operate if the charger is not on board. In case of battery charger malfunction, contact an authorized Service Center.

For further information refer to the Service Manual, available at any Clarke Service Center.

SCRAPPING

Have the machine scrapped by a qualified scrapper.

Before scrapping the machine, remove and separate the following materials, which must be disposed of properly according to the Law in force:

- Batteries
- Brushes/pads
- Plastic hoses and components
- Electrical and electronic components (*)

(*) Refer to the nearest Clarke Center especially when scrapping electrical and electronic components.




LEA ESTE LIBRO








Contiene información importante para el uso correcto y seguro de la máquina. Lea este libro completamente antes de arrancar la máquina o hacer cualquier operación de mantenimiento. Si no siga las instrucciones, corre el peligro de herirse o causar lesiones al personal, o causar daños importantes a la máquina o a su entorno. Antes de usar la máquina, es indispensable seguir una formación. Si Usted (o el operador) no habla español, solicite (o proporciónale) todas las informaciones necesarias. El libro está traducido en otros idiomas. Todas las indicaciones de dirección dadas en este libro están dadas desde la posición del operador en la parte de atrás de la máquina. Puede Ud. conseguir libros suplementarios dirigiéndose a su distribuidor Clarke.














INDICE























Libro de instrucciones	1
INSTRUCCIONES DE SEGURIDAD PARA EL OPERADOR	35
INTRODUCCIÓN	37
CONSERVACIÓN DEL MANUAL	37
DATOS DE IDENTIFICACIÓN	37
MODIFICACIONES Y MEJORAS	37
DESEMBALAJE.....	37
DATOS TÉCNICOS	38
PROCEDIMIENTOS PARA EL TRANSPORTE	39
SÍMBOLOS	39
DESCRIPCIÓN DE LA MÁQUINA	40
ESTRUCTURA INTERIOR Y EXTERIOR.....	40
PANEL DE CONTROL	42
VENTANILLA DE LECTURA DE LOS DATOS DEL CARGADOR DE BATERÍA	42
USO	43
CONTROL/PREPARACIÓN DE LAS BATERÍAS EN LA MÁQUINA NUEVA	43
INSTALACIÓN DE LAS BATERÍAS Y REGULACIÓN DEL TIPO DE BATERÍAS (WET O GEL).....	44
ANTES DE LA PUESTA EN MARCHA DE LA MÁQUINA.....	45
PUESTA EN MARCHA Y PARADA DE LA MÁQUINA	50
MÁQUINA EN FUNCIÓN (LAVADO/SECAMIENTO).....	51
VACIADO DE LOS DEPÓSITOS	53
DESPUÉS DEL USO DE LA MÁQUINA	54
PERIODO DE LARGA INACTIVIDAD DE LA MÁQUINA.....	54
PRIMER PERIODO DE UTILIZACIÓN.....	54
MANTENIMIENTO	55
ESQUEMA DE MANTENIMIENTO PROGRAMADO.....	55
LIMPIEZA DE LA BOQUILLA.....	56
CONTROL Y SUSTITUCIÓN DE LOS CAUCHOS DE LA BOQUILLA.....	57
LIMPIEZA DE LOS CEPILLOS/FIELTROS.....	58
LIMPIEZA DEL FILTRO DEL MOTOR DEL SISTEMA DE ASPIRACIÓN.....	58
LIMPIEZA DEL FILTRO DE LA SOLUCIÓN DETERGENTE/AGUA LIMPIA.....	58
LIMPIEZA DE LOS DEPÓSITOS, DE LA REJILLA DE ASPIRACIÓN CON FLOTADOR Y CONTROL DE LA GUARNICIÓN DE LA TAPA.....	59
LIMPIEZA DEL DEPÓSITO DEL DETERGENTE.....	60
DESMONTAJE/MONTAJE DEL CABEZAL PORTACEPILLOS/PORTAFIELTROS/PORTACEPILLOS CILÍNDRICOS.....	61
CARGA DE LAS BATERÍAS	62
CONTROL DE LAS HORAS DE TRABAJO DE LA MÁQUINA	64
CONTROL/SUSTITUCIÓN DE LOS FUSIBLES	64
ACCESORIOS/OPCIONES PARA FOCUS II	65
BÚSQUEDA AVERÍAS	65
ELIMINACIÓN	65
Parts List	99

INSTRUCCIONES DE SEGURIDAD PARA EL OPERADOR

- 
¡PELIGRO! *Indica un peligro con riesgo, incluso mortal, para el operador.*
- 
¡ATENCIÓN! *Indica el riesgo potencial de infortunios para las personas o de daños a las cosas.*
- 
¡ADVERTENCIA! *Indica una advertencia sobre una función importante o útil. Tener cuidado de las partes del texto marcadas con este símbolo.*

- 
¡PELIGRO! *Antes de efectuar cualquier operación de mantenimiento/repación, desconectar las baterías.*
- 
¡PELIGRO! *Sólo el personal calificado y autorizado puede usar esta máquina. Los niños y los minusválidos no pueden usar esta máquina.*
- 
¡PELIGRO! *Tener chispas, llamas y materiales incandescentes lejos de las baterías. Durante el uso normal pueden salir gases explosivos.*
- 
¡PELIGRO! *Quitarse las joyas cuando se trabaja cerca de los componentes eléctricos.*
- 
¡PELIGRO! *No trabajar bajo la máquina levantada si ésta no está fijada con los soportes de seguridad adecuados.*
- 
¡PELIGRO! *No activar la máquina en un ambiente donde haya polvo, líquidos o vapores nocivos, peligrosos, inflamables y/o explosivos.*
- 
¡PELIGRO! *Cargando las baterías se produce gas hidrógeno muy explosivo. Tener el conjunto de los depósitos abierto durante las operaciones de carga de las baterías y efectuar el procedimiento sólo en áreas muy bien ventiladas y lejos de llamas libres.*

- 
¡ATENCIÓN! *Antes de usar el cargador de baterías, asegurarse de que la frecuencia y la tensión indicadas en la placa del número de serie de la máquina coincidan con la tensión de la red.*
- 
¡ATENCIÓN! *No tirar o transportar la máquina por el cable del cargador de baterías; no usar el cable como manilla. No cerrar el cable del cargador de baterías en una puerta o tirarlo sobre bordes o ángulos afilados. No atropellar el cable del cargador de baterías con la máquina. Tener el cable del cargador de baterías lejos de superficies calientes.*
- 
¡ATENCIÓN! *No recargar las baterías de la máquina si el cable del cargador de baterías o el enchufe están dañados. Si la máquina no funciona correctamente, está dañada, quedada al exterior o bañada, llevarla a un Centro de asistencia.*
- 
¡ATENCIÓN! *Para reducir el riesgo de incendio, electrochoque o lesiones, no dejar la máquina conectada a la red eléctrica cuando está sin custodia. Antes de efectuar las operaciones de mantenimiento, desconectar el cable del cargador de baterías de la red eléctrica.*
- 
¡ATENCIÓN! *No fumar cuando se cargan las baterías.*
- 
¡ATENCIÓN! *Proteger siempre la máquina del sol, lluvia y otras intemperie, tanto durante el funcionamiento como durante los periodos de inactividad. Guardar la máquina en un lugar cubierto.*
- 
¡ATENCIÓN! *No permitir que la máquina se utilice como un juguete. Tener mucho cuidado cuando se utiliza cerca de niños.*
- 
¡ATENCIÓN! *No usar con finalidades diferentes de aquellas indicadas en este manual. Usar sólo accesorios recomendados por Clarke.*
- 
¡ATENCIÓN! *Tomar todas las precauciones necesarias para que el pelo, las joyas y las ropas no sean capturados por las partes móviles de la máquina.*
- 
¡ATENCIÓN! *No dejar la máquina sin custodia y sin haberse asegurado que la máquina no pueda moverse de forma autónoma.*
- 
¡ATENCIÓN! *No usar la máquina sobre suelos con inclinaciones superiores a las especificaciones.*
- 
¡ATENCIÓN! *No usar la máquina en ambientes demasiado polvorientos.*
- 
¡ATENCIÓN! *Quando se utiliza esta máquina, tener cuidado de salvaguardar la incolumidad de las personas y las cosas.*

-  ¡ATENCIÓN! *No chocar contra estanterías o andamios de los que puedan caer objetos.*
-  ¡ATENCIÓN! *No apoyar contenedores de líquidos sobre la máquina.*
-  ¡ATENCIÓN! *La temperatura de la máquina en trabajo debe estar entre los +32°F y los +104°F (0°C y +40°C).*
-  ¡ATENCIÓN! *La temperatura de almacenamiento de la máquina debe estar entre los 32°F y los +104°F (0°C y +40°C).*
-  ¡ATENCIÓN! *La humedad debe estar entre el 30% y el 95%.*
-  ¡ATENCIÓN! *No usar la máquina como vehículo de transporte.*
-  ¡ATENCIÓN! *No usar la máquina sobre rampas o inclinaciones superiores al 2%.*
-  ¡ATENCIÓN! *No permitir que los cepillos funcionen mientras la máquina está parada en un punto para evitar posibles daños al suelo.*
-  ¡ATENCIÓN! *En caso de incendio usar un extintor de polvo, no de agua.*
-  ¡ATENCIÓN! *No adulterar por ninguna razón las protecciones previstas para la máquina, respetar escrupulosamente las instrucciones previstas para el mantenimiento ordinario.*
-  ¡ATENCIÓN! *No dejar que material extraño entre en las aperturas. No utilizar la máquina si las aperturas están obstruidas. Las aperturas deben mantenerse libres de polvo, hilacha, pelos y cualquier otro cuerpo extraño que pueda reducir el flujo de aire.*
-  ¡ATENCIÓN! *No quitar ni modificar las placas colocadas en la máquina.*
-  ¡ATENCIÓN! *Si se usa la máquina de conformidad con las instrucciones, las vibraciones no engendran situaciones peligrosas. El nivel de vibraciones de la máquina es inferior a 98,42 in/s (2,5 m/s²) (98/37/EEC-EN 1033/1995).*
-  ¡ATENCIÓN! *Esta máquina no tiene aprobación para la utilización en carreteras o vías públicas.*
-  ¡ATENCIÓN! *Tener cuidado durante el traslado de la máquina en condiciones por debajo de la temperatura de congelación. El agua en el depósito del agua de recuperación o en los tubos, podría congelarse y dañar la máquina.*
-  ¡ATENCIÓN! *Usar sólo los cepillos y los fieltros suministrados junto a la máquina y aquellos especificados en el Libro de instrucciones. Utilizar otros cepillos o fieltros puede perjudicar la seguridad.*
-  ¡ATENCIÓN! *Cuando la máquina no funciona correctamente, asegurarse de que esto no sea causado por falta de mantenimiento. En caso contrario pedir la intervención del personal autorizado o del Centro de asistencia autorizado.*
-  ¡ATENCIÓN! *Si deben sustituirse piezas, solicitar piezas de repuesto ORIGINALES a un concesionario y/o revendedor autorizado.*
-  ¡ATENCIÓN! *Para asegurar condiciones de funcionamiento correcto y seguro, el personal autorizado o el Centro de asistencia autorizado debe llevar a cabo el mantenimiento programado según las especificaciones indicadas en el capítulo relacionado de este manual.*
-  ¡ATENCIÓN! *Antes de efectuar cualquier operación de mantenimiento/repación, leer cuidadosamente todas las instrucciones relacionadas.*
-  ¡ATENCIÓN! *No lavar la máquina con chorros de agua directa o presurizada, o con sustancias corrosivas.*
-  ¡ATENCIÓN! *Nunca se debe abandonar la máquina al final del ciclo vital, por la presencia de materiales tóxicos y dañinos (baterías, etc.) sujetos a normativas que exigen que se realice la eliminación cerca de centros especiales (véase el capítulo Eliminación).*

INTRODUCCIÓN

Los modelos FOCUS II de las fregadoras/secadoras Clarke son máquinas eficaces y de calidad superior para la limpieza de los suelos. El modelo FOCUS II L17 utiliza un cepillo rotativo para limpiar una superficie de 17,0 in (430 mm) de anchura.

El modelo FOCUS II S20 y FOCUS II L20 utiliza un cepillo rotativo para limpiar una superficie de 20 in (508 mm) de anchura.

El modelo FOCUS II L20 Cyl. utiliza 2 cepillos cilíndricos rotativos para limpiar una superficie de 20 in (508 mm) de anchura.

El modelo FOCUS II BOOST L20 utiliza un cepillo rectangular con sistema orbital para limpiar una superficie de 20 in (508 mm) de anchura.

Una boquilla trasera limpia el suelo y un sistema de aspiración recupera el agua de lavado del suelo, todo en una pasada.

CONSERVACIÓN DEL MANUAL

Este Libro de instrucciones debe conservarse junto a la máquina, dentro de su contenedor, lejos de líquidos y otras sustancias que podrían dañarlo.

DATOS DE IDENTIFICACIÓN

El modelo de la máquina y el número de serie están marcados en la placa. (Al, Fig. 2 - pág. 41).

El año del modelo de la máquina está indicado por las dos primeras cifras del número de serie de la máquina misma.

Estas informaciones son necesarias cuando se pidan piezas de repuesto para la máquina. Usar el espacio subyacente para escribir los datos de identificación de la máquina para todas referencias futuras.

Modelo MÁQUINA

Número de serie MÁQUINA

MODIFICACIONES Y MEJORAS

Clarke está constantemente mejorando sus productos y se reserva el derecho de realizar modificaciones y mejoras a su discreción, sin verse obligada a aplicar dichas ventajas a las máquinas vendidas previamente.

Sólo Clarke puede aprobar y efectuar cualquier modificación y/o instalación de accesorios.

DESEMBALAJE

Para desembalar la máquina seguir cuidadosamente las instrucciones colocadas sobre el embalaje.

Al momento de la entrega, controlar atentamente el embalaje y la máquina por si hayan sufrido daños durante el transporte. Si el daño es evidente, conservar el embalaje así que el transportista que lo ha entregado lo pueda inspeccionar. Contactarlo de inmediato para compilar una indemnización daños y perjuicios.

Controlar que la máquina sea entregada junto a los siguientes componentes:

1. Documentación técnica:
 - Libro de instrucciones de la fregadora/secadora
 - Manual del cargador de baterías electrónico
2. N° 2 fusibles laminares

DATOS TÉCNICOS

Modelo	FOCUS II L17	FOCUS II S20	FOCUS II L20	FOCUS II L20 Cyl.	FOCUS II BOOST® L20
Tensión de funcionamiento	24 V DC				
Baterías estándar (2)	12 V - 130 Ah@20hr Moje				
Baterías opcionales (2)	12V 114 Ah@20hr calificación AGM				
Motor del sistema de tracción	0.3 hp (200 W)	—	0.3 hp (200 W)		
Velocidad de tracción (variable)	de 0 a 3.5 mph (de 0 a 5.6 Km/h)	Determinada por la rotación del cepillo		de 0 a 3.5 mph (de 0 a 5.6 Km/h)	
Sistema de protección de la batería	Exclusión tensión baja cepillo y solución				
Potencia del motor de aspiración	0.5 hp, 2 etapas, de descarga tangencial				
Vacío de aspiración	41.5 in H ₂ O (1.055 mm H ₂ O)				
Depósito de la solución Depósito de recuperación	14.5 US gal (55 litros)				
Flujo del detergente (min/max)	0 - 0.63 gal/min (0 - 2.4 L/min)			0 - 0.3 gal/min (0 - 0.75 L/min)	
Anchura de la boquilla	29.9 in. (760 mm)				
Anchura de barrido	17 in. (430 mm)	20 in. (508 mm)			
Potencia motor cepillo	0.7 hp (480 W)			(2) @ 0.4 hp (300 W) ea	0.75 hp (560 W)
Dimensiones del cepillo cilíndrico	—	—	—	4.3 x 19.1 in. (110 x 485 mm)	—
BOOST® Tamaño disco	—	—	—	—	14 x 20 in. (457 x 508 mm)
Velocidad de rotación cepillos	153 rpm			570 rpm	2250 rpm
Presión de los cepillos	45 y 90 lbs (20 y 41 kg)			58.4 lbs (26,5 kg)	40 y 75 lbs (18 y 34 kg)
Presión al suelo de las ruedas delanteras	116 psi (0.8 N/mm ²)				
Presión al suelo de las ruedas traseras	884.7 psi (6.1 N/mm ²)	406.1 psi (2.8 N/m m ²)	884.7 psi (6.1 N/mm ²)		
Cargador de batería a bordo	Estándar				
Inclinación máxima superable	2%				
Longitud de la máquina	52.1 in. (1.323 mm)			49.3 in. (1,253 mm)	51 in. (1.295 mm)
Anchura de la máquina sin boquilla	21.3 in. (541 mm)			22.7 in. (575.5 mm)	20.8 in. (528 mm)
Altitud de la máquina	42,8 in (1.088 mm)				
Peso sin baterías y con los depósitos vacíos	209.4 lbs (95 kg)	191.8 lbs (87 kg)	209.4 lbs (95 kg)	231.5 lbs (105 kg)	203 lbs (92 kg)
Peso con baterías y depósito lleno	531.3 lbs (241 kg)	515.9 lbs (234 kg)	531.3 lbs (241 kg)	553.4 lbs (251 kg)	525 lbs (238 kg)
Nivel acústica	65.8 dB(A)				
Dimensiones compartimiento baterías	13.8 x 13.8 x 11.8 in. (350 x 350 x 300 mm) (anchura x longitud x altura)				

PROCEDIMIENTOS PARA EL TRANSPORTE

Como cargar y descargar la máquina de una furgoneta o de un autocamión

⚠ ¡ATENCIÓN!

La máquina es pesada. El desplazamiento de la máquina debe ser efectuado por personal experto. El desplazamiento de la máquina sobre rampas o zonas inclinadas debe ser efectuado por dos personas expertas. Moverla siempre despacio. No girar la máquina (doblar) sobre rampas. No dejar la máquina parada sobre rampas o zonas inclinadas. Las rampas de carga deben ser anchas al menos 40 in (1 m).

1. Controlar que la rampa de carga no sea más larga que 8 pies (2,5 metros), que no sea menos ancha que 40 in (1 m) y que tenga un espesor adecuado para sostener el peso de la máquina y de las personas que la mueven.
2. Controlar que la rampa esté seca y limpia.
3. Posicionar la rampa correctamente.
4. Quitar el conjunto boquilla y el cepillo/portafieltro antes de cargar la máquina. Clarke recomienda vaciar ambos los depósitos de la solución detergente y del agua de recuperación antes de cargar la máquina.

Como bloquear la máquina al interior del vehículo

5. Clarke recomienda bloquear la máquina con correas durante el transporte.

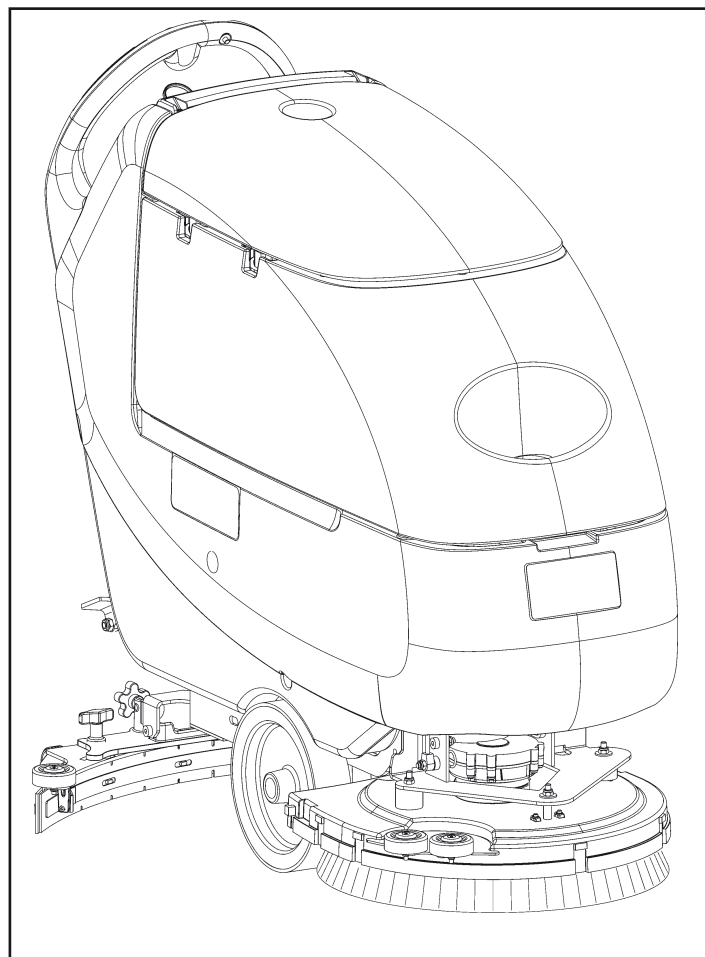


Figura 1

SÍMBOLOS



⚠ ¡ATENCIÓN!

Antes de efectuar cualquier operación en la máquina, leer cuidadosamente las instrucciones de la máquina misma.



⚠ ¡ATENCIÓN!

No lavar la máquina con chorros de agua directa o presurizada.



⚠ ¡ATENCIÓN!

No utilizar la máquina con una inclinación superior a la indicada como máxima.

DESCRIPCIÓN DE LA MÁQUINA

ESTRUCTURA INTERIOR Y EXTERIOR

(véase Fig. 2)

- A. Panel de control
- B. Manillar
- C. Pulsadores de accionamiento cepillos/marcha adelante (*).
Pulsadores de accionamiento cepillos (***)
- D. Regulador de velocidad marcha (*)
- E. Ventanilla de lectura datos del cargador de baterías
- F. Cable del cargador de baterías
- G. Soporte del cable del cargador de baterías
- H. Boca trasera de llenado de la solución detergente/agua limpia
- I. Pulsador marcha atrás
- J. Palanca de subida/bajada de la boquilla
- K. Pedal de subida/bajada del cabezal
- K1. Pedal en posición de cabezal levantado
- K2. Pedal en posición de cabezal bajado
- K3. Accionamiento de la presión suplementaria (opcional) (***)
- L. Conector (rojo) de conexión baterías. Este conector funciona también como pulsador de EMERGENCIA, para la interrupción inmediata de todas las funciones.
- M. Rueda trasera directriz
- N. Ruedas delanteras en eje fijo. Ruedas de tracción (*)
- O. Tubo de aspiración de la boquilla
- P. Tubo de descarga del agua de recuperación
- Q. Tubo de nivel y de descarga de la solución detergente/agua limpia con muescas de nivel.
- R. Cabezal portacepillos con un cepillo/portafiltro
- S. Cabezal portacepillos con dos cepillos cilíndricos
- T. Cepillos/portafiltros
- U. Depósito de la solución detergente/agua limpia
- V. Depósito del agua de recuperación
- W. Tapa del depósito del agua de recuperación
- X. Portaobjetos
- Y. Electroválvula
- Z. Boquilla
- AA. Empuñaduras de fijación de la boquilla
- AB. Empuñadura de ajuste equilibrado boquilla
- AC. Perno de ajuste marcha rectilínea de la máquina
- AD. Perno de ajuste de la velocidad de marcha de la máquina (***)
- AE. Tapa del depósito del agua de recuperación (abierto)
- AF. Guarnición de la tapa del depósito
- AG. Plaqueta móvil de sujeción de la tapa
- AH. Plaqueta fija de sujeción de la tapa (no quitar)
- AI. Placa número de serie/datos técnicos
- AJ. Orificio para la limpieza del tubo de aspiración de la boquilla
- AK. Rejilla de aspiración con cierre automático de flotador
- AL. Boca delantera de llenado de la solución detergente/agua limpia
- AM. Filtro de red (opcional)
- AN. Orificio de compensación
- AO. Depósito del agua de recuperación (abierto)
- AP. Tapón del tubo de descarga del agua de recuperación
- AQ. Cable de bloqueo del depósito levantado
- AR. Tapa del motor del sistema de aspiración
- AS. Filtro fonoabsorbente del motor del sistema de aspiración
- AT. Depósito del detergente (**)
- AU. Tapón de llenado del depósito del detergente (**)
- AV. Empuñadura del depósito del detergente (**)
- AW. Tubo de alimentación del detergente a los cepillos (**)
- AX. Bomba del detergente (**)
- AY. Tubo de conexión del depósito - bomba del detergente (**)
- AZ. Soporte de la bomba del detergente (**)
- BA. Baterías
- BB. Tapones de las baterías
- BC. Filtro de la solución detergente
- BD. Grifo de la solución detergente/agua limpia
- BE. Tabla de referencia de las dosificaciones del detergente (**)
- BF. Esquema de conexión de las baterías

(*) Sólo para FOCUS II L17 - L20 - L20 Cyl. - BOOST L20

(**) Sólo para máquinas con Chemical Mixing System (opcional)

(***) Sólo para FOCUS II S20

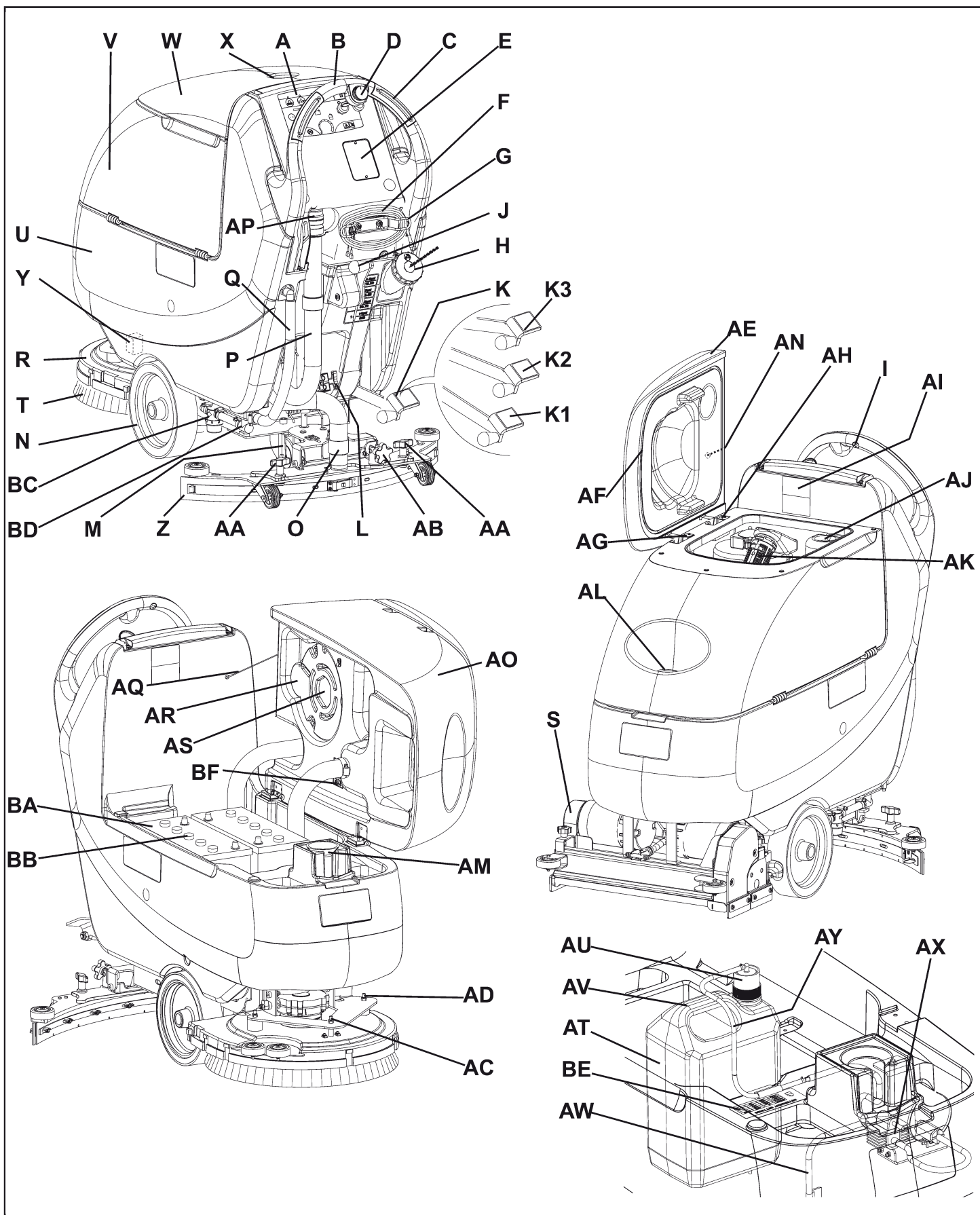


Figura 2

PANEL DE CONTROL

(véase Fig. 3)

- A. Interruptor de accionamiento cepillos/filtros y sistema de aspiración
- B. Luz de aviso del interruptor de accionamiento cepillos/filtros y sistema de aspiración
- C. Interruptor del sistema de aspiración
- D. Luz de aviso del interruptor del sistema de aspiración
- E. Interruptor de desenganche de los cepillos/portafiltros
- F. Luz de aviso del interruptor de desenganche de los cepillos/portafiltros
- G. Empuñadura de ajuste del flujo de detergente en el agua de lavado (opcional)
- H. Pulsador marcha atrás
- I. Cuentahoras (opcional)
- J. Llave de encendido (0 - I)
- K. Indicador condición de carga de las baterías

- L. Indicador luminoso de baterías cargadas (verde)
- M. Indicador luminoso de baterías semicargadas (amarillo)
- N. Indicador luminoso de baterías descargadas (rojo)
- O. Interruptores de ajuste del flujo del agua de lavado
- P. Interruptor para aumentar el flujo
- Q. Interruptor para disminuir el flujo
- R. Barra de visualización del flujo de agua de lavado
- S. Pulsadores de accionamiento cepillos/marcha adelante (*).
Pulsadores de accionamiento cepillos (**)
- T. Regulador de velocidad marcha (*)

(*) Sólo para FOCUS II L17 - L20 - L20 Cyl. - BOOST L20

(**) Sólo para máquinas con Chemical Mixing System (opcional)

(***) Sólo para FOCUS II S20

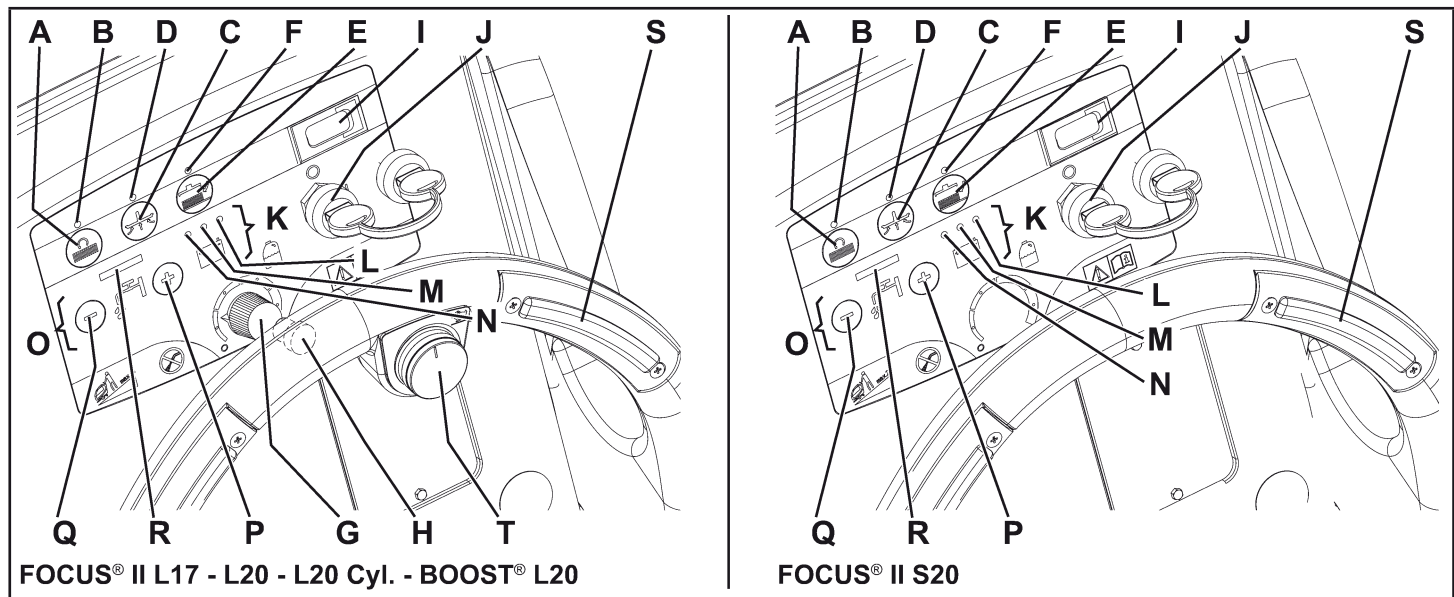


Figura 3

VENTANILLA DE LECTURA DE LOS DATOS DEL CARGADOR DE BATERÍA

(véase Fig. 4)

- A. Cargador de baterías electrónico
- B. Selector baterías de plomo (WET) o de gel (GEL)
- C. Indicador luminoso verde (encendido: cargador de baterías encendido y baterías cargadas)
- D. Indicador luminoso amarillo (encendido: cargador de baterías encendido y baterías semicargadas)
- E. Indicador luminoso rojo (encendido: cargador de baterías encendido y baterías en fase de carga)

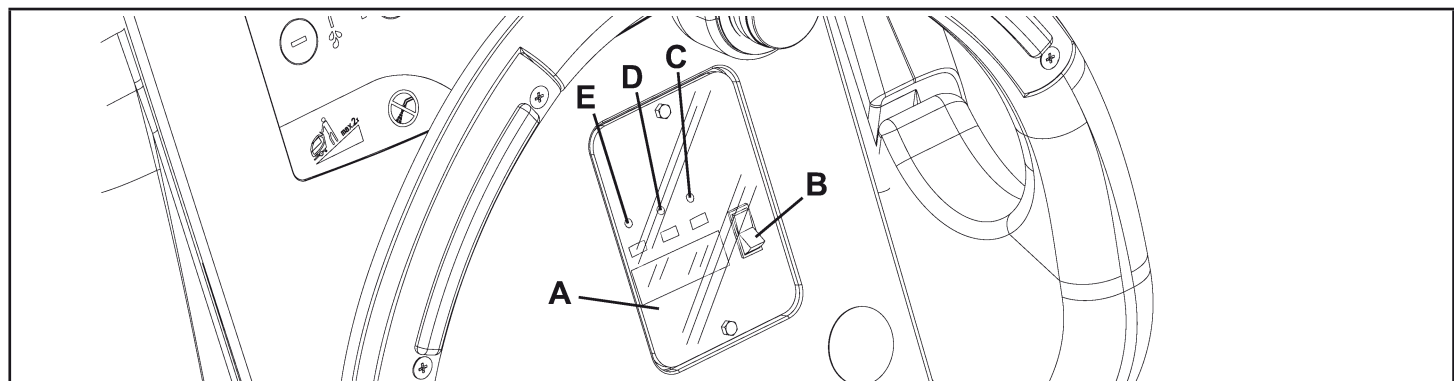


Figura 4

USO

¡ATENCIÓN!

En unas partes de la máquina hay unas placas adhesivas que indican:

- PELIGRO
- ATENCIÓN
- ADVERTENCIA
- CONSULTAS

Leyendo este manual, el operador tiene que aprender el sentido de los símbolos indicados en las placas.

Por ninguna razón estas placas deben cubrirse y si están dañadas tienen que sustituirse de inmediato.

CONTROL/PREPARACIÓN DE LAS BATERÍAS EN LA MÁQUINA NUEVA

¡ATENCIÓN!

Si no se instalan correctamente las baterías, los componentes eléctricos de la máquina podrían dañarse. Sólo el personal calificado puede efectuar la instalación de las baterías. Ajustar la tarjeta electrónica funciones y el cargador de baterías, según el tipo de baterías utilizadas (WET o GEL). Antes de la instalación de las baterías, controlar si las baterías están dañadas.

Desconectar el conector de las baterías (A, Fig. 5) o la clavija del cargador de baterías (I).

Desplazar las baterías con mucho cuidado.

Instalar las tapas de protección de los terminales de las baterías, en dotación a la máquina.

La máquina necesita dos baterías de 12 V, conectadas según el esquema (A, Fig. 6).

La máquina puede ser entregada con las siguientes configuraciones:

A) Baterías (WET o GEL) instaladas en la máquina y listas para ser utilizadas

1. Controlar que las baterías estén conectadas a la máquina con el conector (A, Fig. 5).
2. Introducir la llave de encendido (B) y colocarla en la posición "I".

Si el indicador luminoso verde (C) se enciende, las baterías están listas para ser utilizadas.

Si se enciende el indicador luminoso amarillo (D) o rojo (E) es necesario cargar las baterías (véase el procedimiento en el capítulo Mantenimiento).

B) Sin baterías

1. Comprar baterías adecuadas (véase el párrafo Datos Técnicos).
2. Para la elección y la instalación, acudir a un Revendedor calificado.
3. Regular la máquina y el cargador de baterías según el tipo de baterías instaladas (WET o GEL), como indicado en el párrafo siguiente.

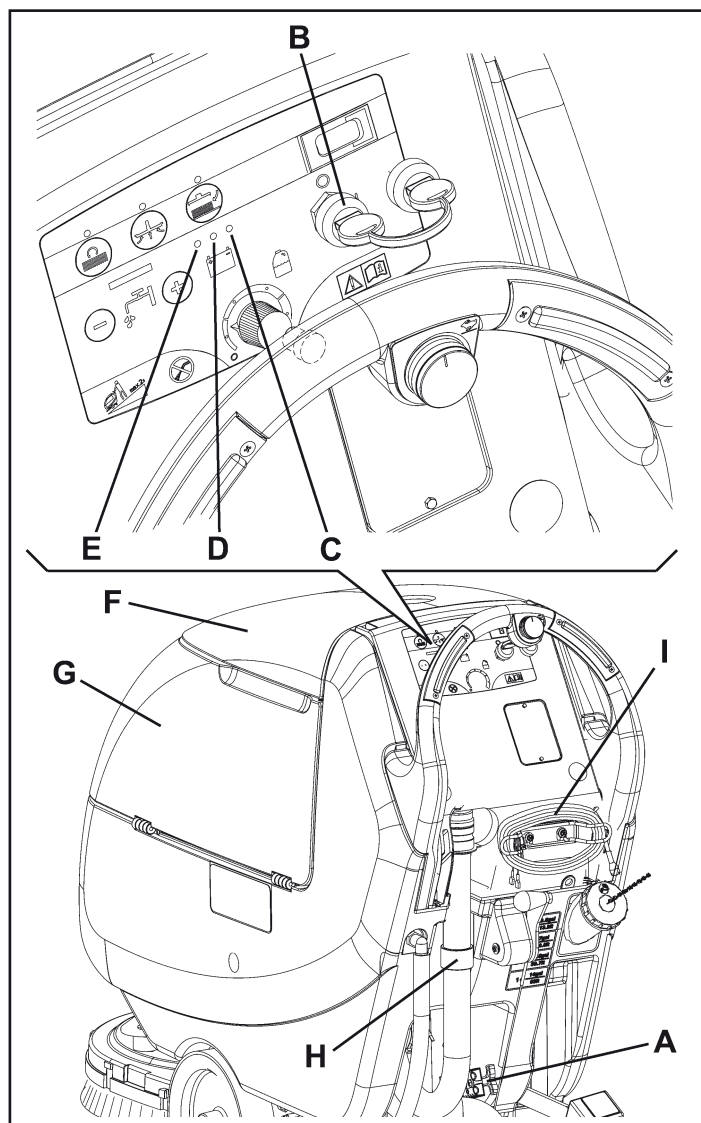


Figura 5

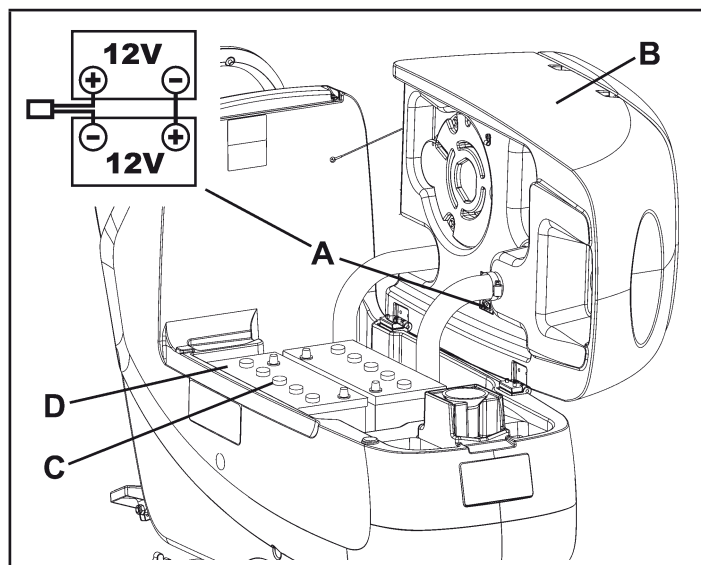


Figura 6

INSTALACIÓN DE LAS BATERÍAS Y REGULACIÓN DEL TIPO DE BATERÍAS (WET O GEL)

Según el tipo de baterías instaladas (WET o GEL), regular la tarjeta electrónica de la máquina y del cargador de baterías, mediante el procedimiento siguiente:

Ajuste de la máquina

- Colocar la llave de encendido (A, Fig. 7) en posición "I" y detectar lo que sigue durante los primeros segundos de funcionamiento de la máquina:
 - Si parpadea el indicador luminoso verde (B), la máquina está ajustada sobre GEL.
 - Si parpadea el indicador luminoso rojo (C), la máquina está ajustada sobre WET.
- Si es necesario modificar el ajuste, efectuar el procedimiento indicado en los pasos siguientes.
- Apagar la máquina colocando la llave de encendido (A) en posición "0".
- Pulsar contemporáneamente y mantener pulsados los interruptores (D) y (E), luego colocar la llave de encendido (80) en posición "I".
- Continúe presionando interruptores (D) y (E) hasta que la luz de advertencia (B) o se inicia (C) parpadear.
- Suelte el swithes y pulse el interruptor del medio (E) para alternar a la otra opción. (Esto se debe hacer cuando la luz parpadea para cambiar la configuración). Ciclo de la llave a control.

Ajuste del cargador de baterías

- Quitar los tornillos (F) de la ventanilla de lectura datos del cargador de baterías.
- Quitar la ventanilla (G).
- Colocar el selector (H) en posición WET para las baterías de plomo o en posición GEL para las baterías de gel.
- Instalar la ventanilla (G) y apretar los tornillos (F).

Instalación de las baterías

- Abrir la tapa (I) y asegurarse de que el depósito del agua de recuperación (J) esté vacío, de lo contrario vaciarlo a través del tubo de descarga (K).
- Levantar el depósito (A, Fig. 8) con cuidado.
- Instalar las baterías (B).

Carga de las baterías

- Cargar las baterías (véase el capítulo Mantenimiento).

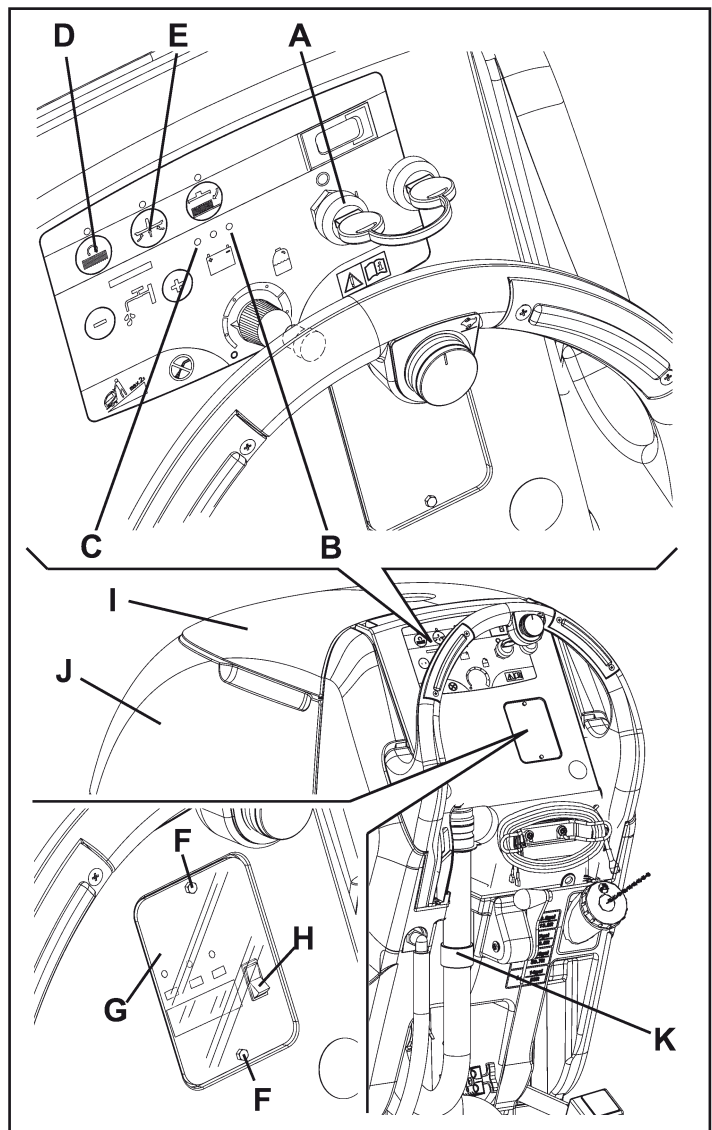


Figura 7

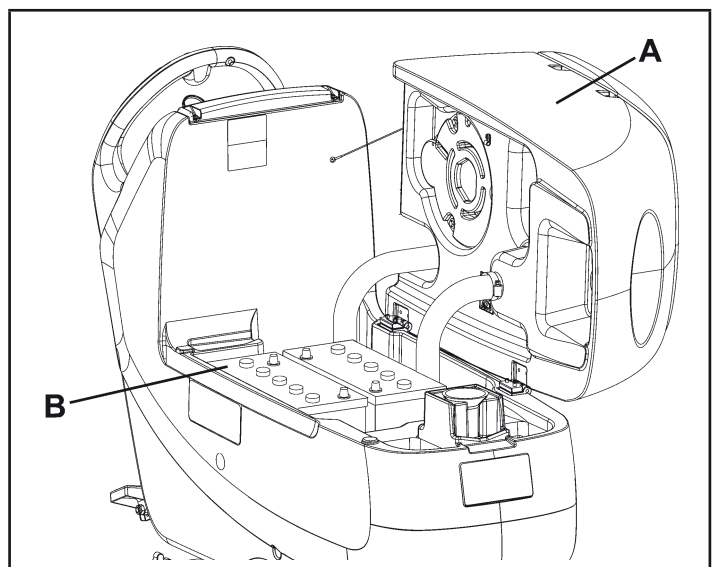


Figura 8

ANTES DE LA PUESTA EN MARCHA DE LA MÁQUINA

Instalación/remoción del cabezal cepillo/portafiltro o portacepillos cilíndricos

En la máquina se puede instalar/quitar fácilmente tanto el cabezal portacepillos/portafiltros (A, Fig. 9) como el cabezal portacepillos cilíndricos (E).

Para la instalación/remoción de estos componentes, véase el relativo procedimiento en el capítulo Mantenimiento

Instalación/remoción de los cepillos/portafiltros

1. En la máquina predispuesta con el cabezal adecuado, se pueden instalar tanto los cepillos (B) como los portafiltros (C) con fieltro (D), según del tipo de tratamiento de efectuar.
2. Introducir la llave de encendido (A, Fig. 10) y colocarla en posición "I".
3. Si presente, llevar al mínimo el regulador de la velocidad (B), girándolo en sentido antihorario.
4. Colocar los cepillos (B, Fig. 9) o los portafiltros (C) bajo del cabezal (A) de 17 in (430 mm) o 20 in (530 mm).
5. Bajar el cabezal sobre los cepillos/portafiltros pulsando el pedal (C, Fig. 10).
6. Colocar la llave de encendido (A) en posición "I".
7. Pulsar el interruptor de accionamiento de los cepillos/filtros (D).
8. Pulsar al menos un pulsador (E) para enganchar los cepillos/portafiltros, luego soltarlo. Si necesario, repetir la operación hasta enganchar los cepillos/portafiltros.



¡ATENCIÓN!

(Sólo para FOCUS II L17, FOCUS II L20): girar el regulador de velocidad (B, Fig. 10) en sentido antihorario para llevar al mínimo la velocidad de la máquina.

Para enganchar el cepillo/portafiltro es suficiente pulsar al menos un pulsador (E) de accionamiento del motor del cepillo/portafiltro.

9. Para quitar los cepillos/portafiltros, es necesario levantar el cabezal pisando el pedal (C), luego pulsar el interruptor (F) y esperar hasta que el cepillo/portafiltro caiga en el suelo. Colocar la llave de encendido (A) en posición "0".

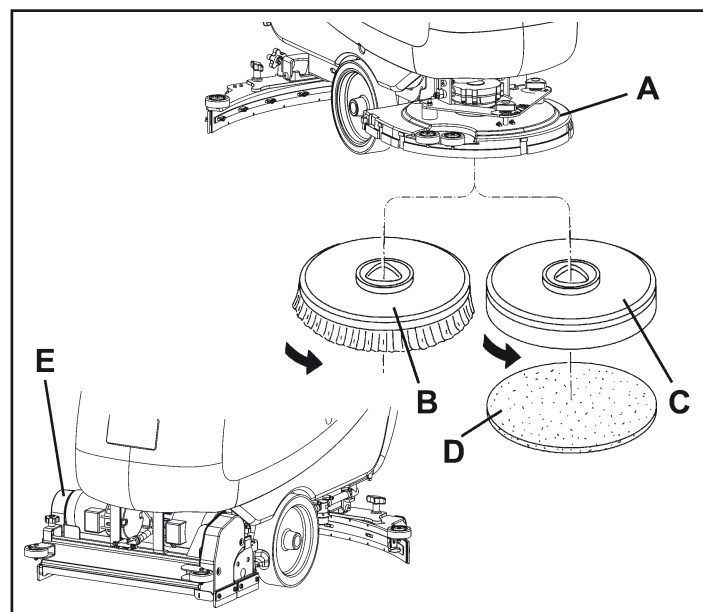


Figura 9

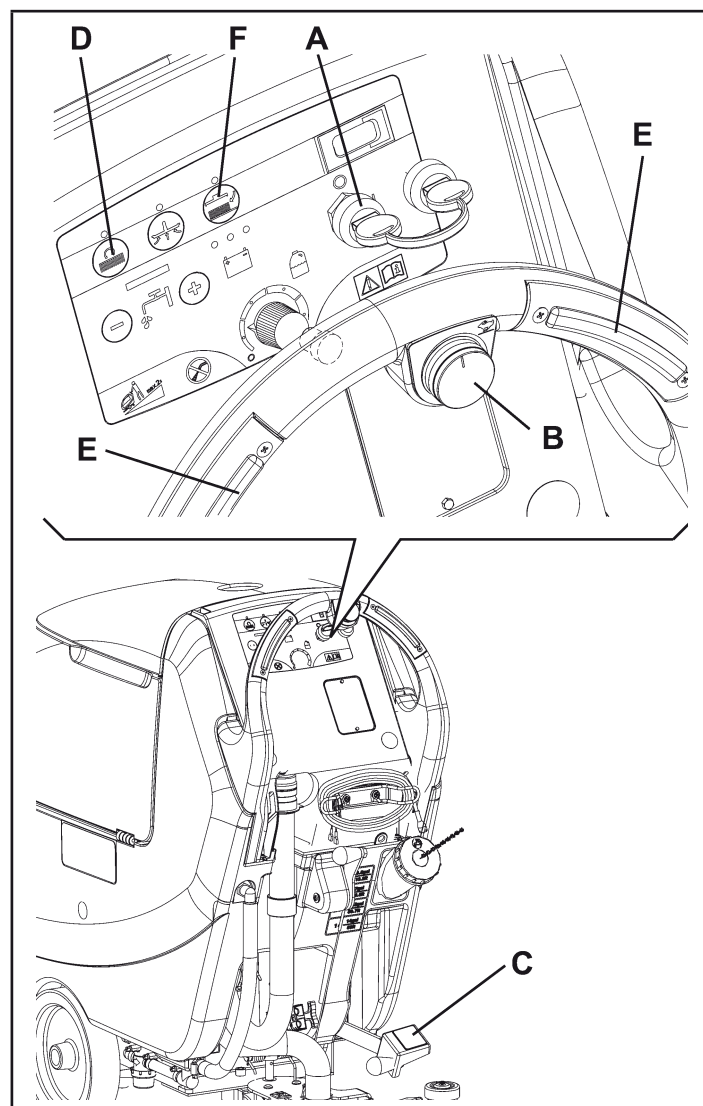


Figura 10

Tipos de cepillos disponibles

Modelos de 430 mm (17 in)	Modelos de 508 mm (20 in)
Light Grit	Light Grit
Medium Grit	Medium Grit
Polipropileno	Polipropileno
Lite Poly	Lite Poly

Guía para la aplicación de los cepillos/fielros (sólo sugerencias)

Modelos	Light Grit	Medium Grit	Polipropileno	Lite Poly
Limpieza general:				
Hormigón				
Suelo terraza				
Baldosas de cerámica/de cantera				
Mármol				
Baldosas de vinilo				
Baldosas de caucho				

Instalación/remoción de los cepillos cilíndricos (sólo para FOCUS II L20 Cyl.)

1. Colocar la llave de encendido (A, Fig. 11) en posición "0".
2. Levantar el cabezal portacepillos cilíndricos pisando el pedal (B).
3. Girar las empuñaduras (A, Fig. 12) y quitar los portillos (B) empujándolos hacia abajo presionando las empuñaduras.
4. Instalar los cepillos cilíndricos (C).
- Los cepillos cilíndricos se pueden instalar por un lado o por el otro.
5. Instalar los portillos (B) y fijarlos con las empuñaduras (A).
6. Para la remoción de los cepillos cilíndricos, efectuar los pasos de 1 a 5 en orden contrario.

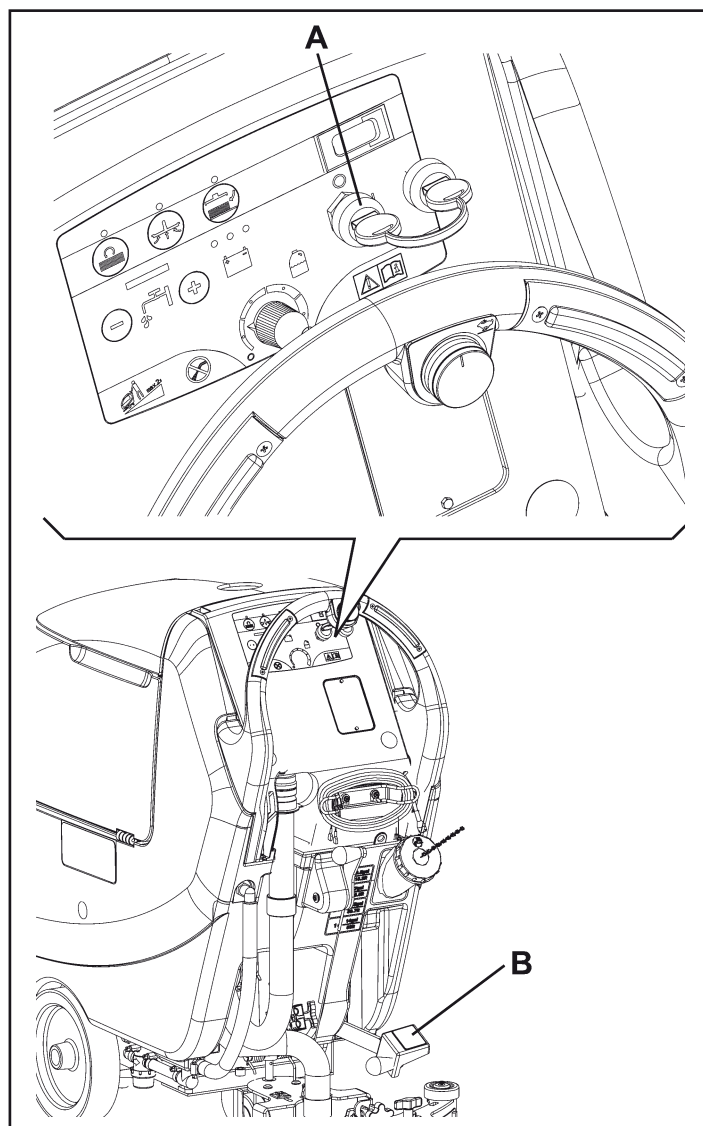


Figura 11

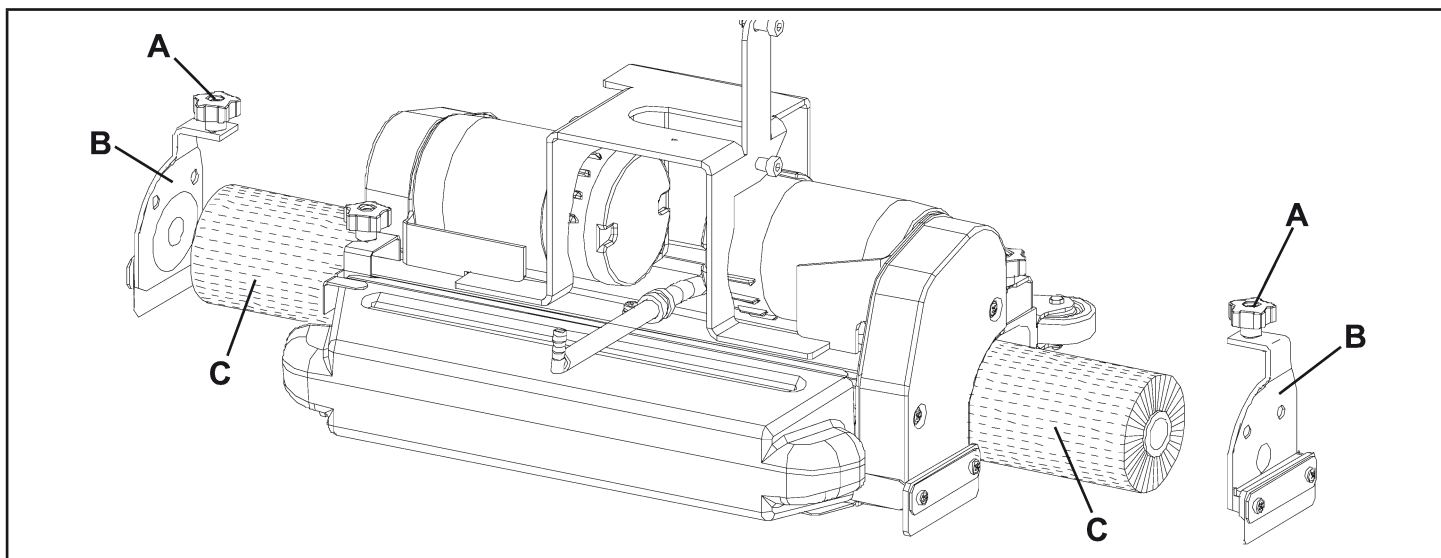


Figura 12

Tipos de cepillos cilíndricos disponibles

Modelos de 19,1 in (485 mm)
Poly Plus 0,40
Polipropileno 0,45
Medium Grit

Guía para la aplicación de los cepillos cilíndricos (sólo sugerencias)

Modelos	Poly Plus	Polipropileno	Medium Grit
Limpieza general:			
Hormigón			
Suelo terraza			
Baldosas de cerámica/de cantera			
Mármol			
Baldosas de vinilo			
Baldosas de caucho			

Instalación de la boquilla

1. Instalar la boquilla (A, Fig. 13) y fijarla con las empuñaduras (B), luego conectar el tubo de aspiración (C) a la boquilla.
2. Mediante la empuñadura (D) ajustar la boquilla de forma que su caucho trasero toque el suelo por toda su longitud.

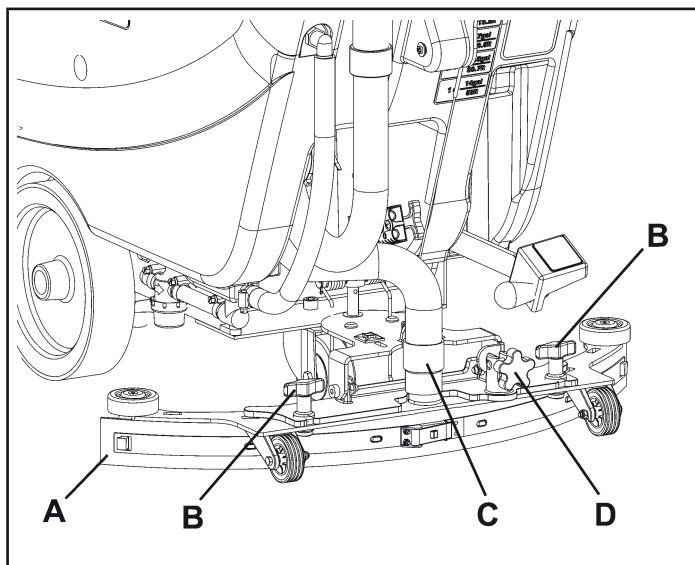


Figura 13

Guía para combinar correctamente las boquillas con los cabezales portacepillos/portafiltros y con el cabezal con dos cepillos cilíndricos

Modelo cabezal	Modelo boquilla
Cabezal con un cepillo, diámetro cepillo: 17in (430 mm)	Aluminio (A, Fig 13), anchura 29,9 in (760 mm)
Cabezal con un cepillo, diámetro cepillo: 20 in (508 mm)	
Cabezal con dos cepillos cilíndricos, longitud cepillo: 19,1 in (485 mm)	
Cabezal con un cepillo rectangular, dimensión cepillo: 20 in (508 mm)	

Llenado del depósito de la solución detergente o del agua de lavado



NOTA

Si la máquina está equipada con Chemical Mixing System (opcional), verter agua limpia en el depósito, si no verter la solución detergente.

1. Abrir la boca de llenado (A, Fig. 14).
2. **(Para máquinas sin Chemical Mixing System)**
Utilizando la boca de llenado delantera (B) o la boca de llenado trasera (C), rellenar el depósito (D) con una solución detergente adecuada para el trabajo que se debe efectuar. Rellenar hasta la muesca "1" de referencia del tubo de nivel (H).
Seguir siempre las instrucciones indicadas en la etiqueta para la dilución del producto químico utilizado para componer la solución detergente.
La temperatura de la solución detergente no debe superar los 104°F (40°C).



¡ATENCIÓN!

Utilizar exclusivamente detergentes líquidos poco espumosos y no inflamables, que sean adecuados para este tipo de máquina.

3. **(Para máquinas con Chemical Mixing System)**
Llenar el depósito (D) con agua limpia utilizando la boca de llenado delantera (B) o la boca de llenado trasera (C). Rellenar hasta la muesca "1" de referencia del tubo de nivel (H).
La temperatura del agua no debe superar los 104°F (40°C).

Llenado del depósito del detergente (para máquinas con Chemical Mixing System)

1. Abrir la tapa (E) y asegurarse de que el depósito del agua de recuperación (F) esté vacío, de lo contrario vaciarlo a través del tubo de descarga (G).
2. Levantar el depósito (A, Fig. 15) con cuidado.
3. Abrir el tapón (B).
4. Sustituir o llenar la jarra (C) con un contenedor estándar de detergente adecuado para el trabajo que se debe efectuar (detergente de alta concentración).
No llenar completamente el depósito del detergente, dejar unos centímetros del borde.



¡ATENCIÓN!

Utilizar exclusivamente detergentes líquidos poco espumosos y no inflamables, que sean adecuados para este tipo de máquina.



NOTA

Para instalar la nueva jarra, determinar las dimensiones del tapón y, si es demasiado pequeño, quitar el adaptador del tapón (B) del tubo. Instalar el tubo de aspiración en la jarra (C). Empujar sobre el tapón (B) y contemporáneamente girarlo, para instalarlo en la jarra (C).

En caso de sistema nuevo, de sistema vaciado para limpieza, etc., esperar que las tuberías se llenen antes de activar el sistema Chemical Mixing System.

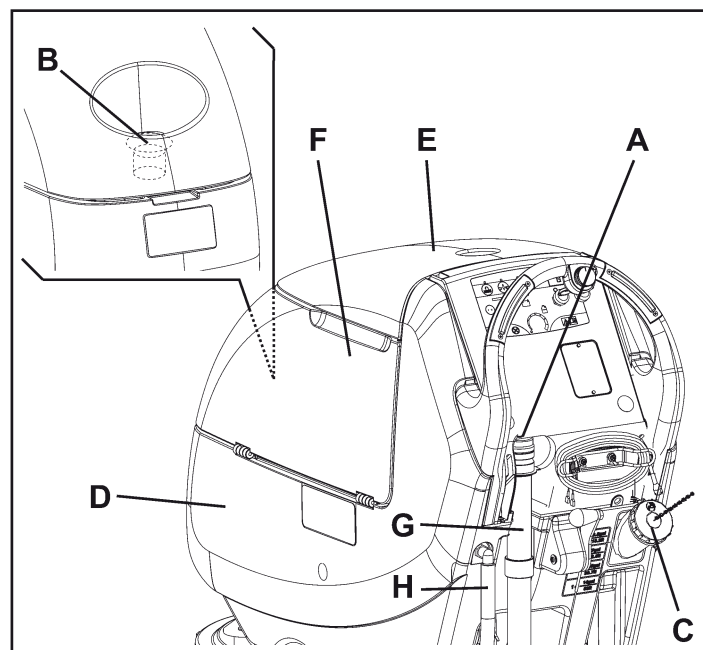


Figura 14

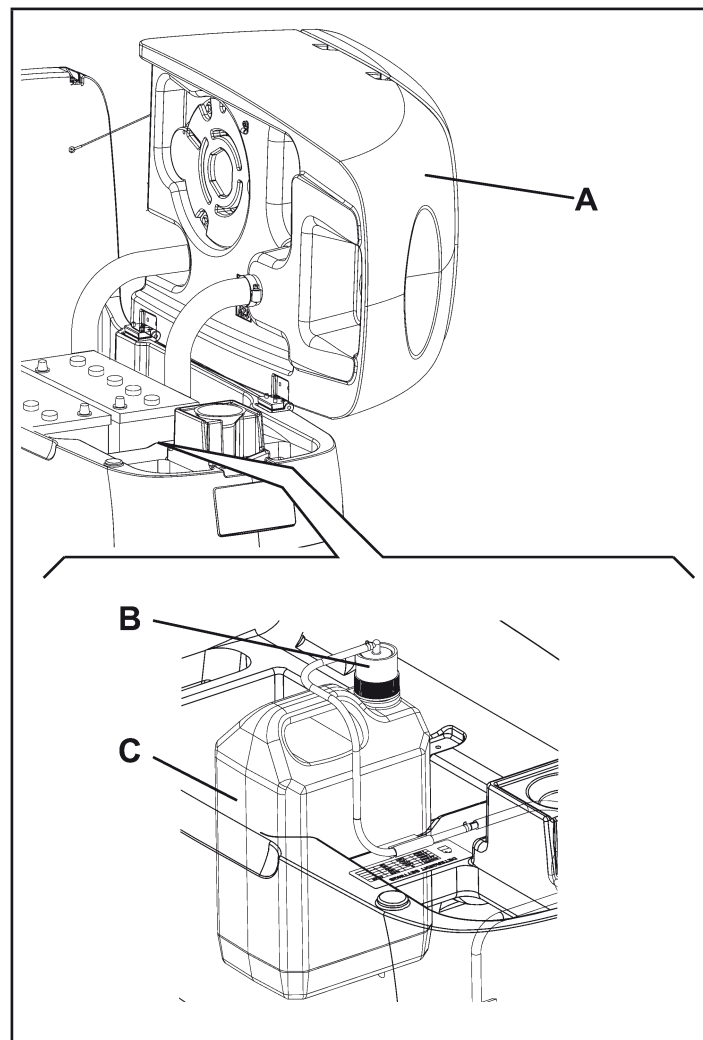


Figura 15

PUESTA EN MARCHA Y PARADA DE LA MÁQUINA

Puesta en marcha de la máquina

1. Preparar la máquina como indicado en el párrafo anterior.
2. Introducir la llave de encendido (A, Fig. 16) y colocarla en la posición "I".
Comprobar que el indicador luminoso verde (B) se encienda (batería cargada).
Si se enciende el indicador luminoso amarillo (C) o rojo (D), colocar de nuevo la llave de encendido en posición "0", luego cargar las baterías (véase el procedimiento en el capítulo Mantenimiento).
3. Llegar al lugar de trabajo:
 - empujando la máquina con las manos sobre el manillar (E) (sólo para **FOCUS II S20**).
 - poniendo en marcha la máquina con las manos sobre el manillar (E) y pulsando al menos un pulsador (F) para la marcha adelante o al menos un pulsador (F) junto con el pulsador (G) para la marcha atrás (sólo para **FOCUS II L17, FOCUS II L20, FOCUS II L20 Cyl., BOOST L20**).

La velocidad máxima de marcha se puede ajustar con el regulador (H).

4. Bajar la boquilla (I) con la palanca (J).
5. Bajar el cabezal portacepillos/portafiltros (K) pisando el pedal (L).
6. Pulsar el interruptor de accionamiento cepillos/filtros (M) y sistema de aspiración (N).
7. Accionar los interruptores de ajuste del flujo de agua de lavado (O) según las propias necesidades, en función de la cantidad de trabajo que se debe efectuar.
8. Empezar el trabajo de limpieza:
 - (sólo para **FOCUS II S20**) empujando la máquina con las manos sobre el manillar (E) y pulsando al menos un pulsador (F).
 - (sólo para **FOCUS II L17, FOCUS II L20, FOCUS II L20 Cyl., BOOST L20**) poniendo en marcha la máquina con las manos sobre el manillar (E) y pulsando por lo menos un pulsador (F). Si necesario, ajustar la velocidad de marcha con el regulador (H).



NOTA

Para la marcha de la máquina, los pulsadores derecho e izquierdo (F) se pueden pulsar contemporáneamente o individualmente.

Parada de la máquina

9. Parar la máquina con el manillar (E) (sólo para **FOCUS II S20**).
Parar la máquina soltando los pulsadores (F) (sólo para **FOCUS II L17, FOCUS II L20, FOCUS II L20 Cyl., BOOST L20**).
10. Parar los cepillos y el sistema de aspiración pulsando el interruptor (M). Tras unos segundos se para también el aspirador.
11. Levantar el cabezal portacepillos/portafiltros (K) pisando el pedal (L).
12. Levantar la boquilla (I) con la palanca (J).
13. Colocar la llave de encendido (A) en posición "0".
14. Asegurarse de que la máquina no pueda moverse de forma autónoma.

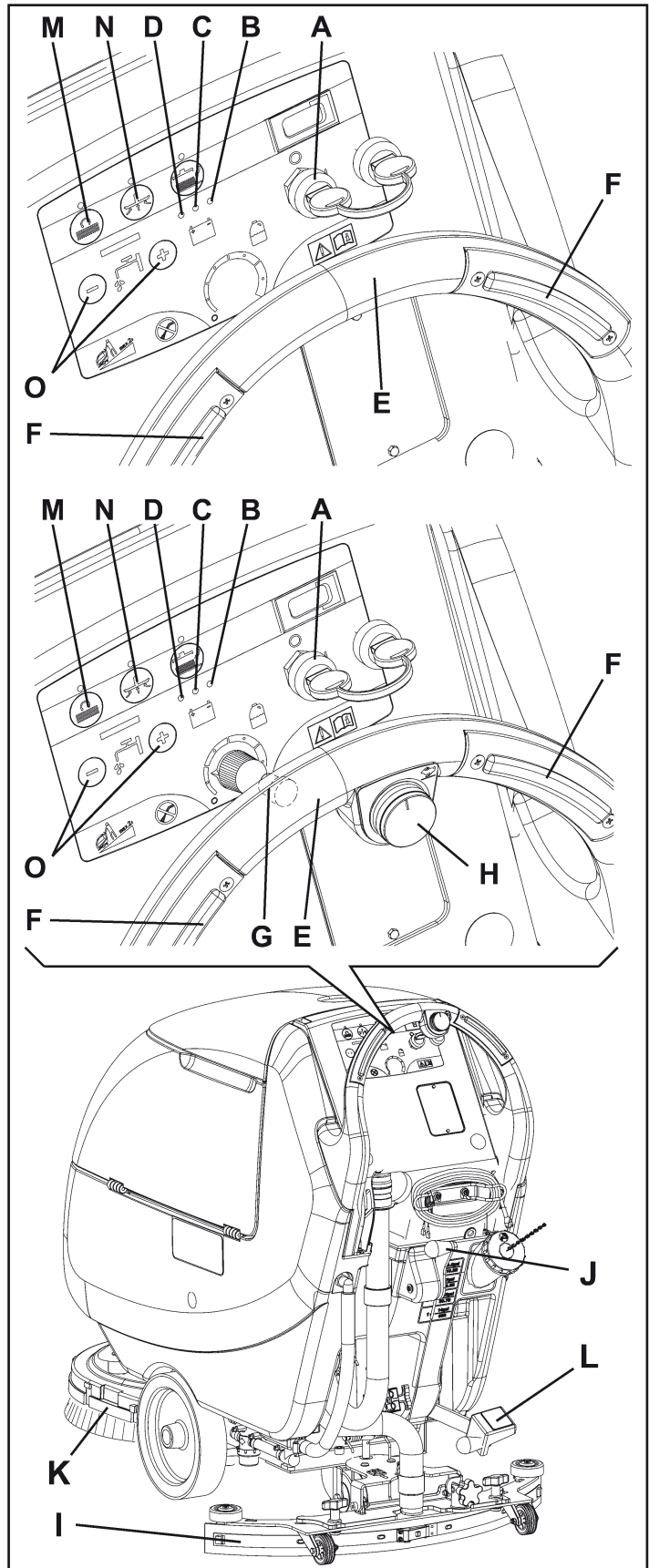


Figura 16

MÁQUINA EN FUNCIÓN (LAVADO/SECAMIENTO)

1. Poner en marcha la máquina como indicado en el párrafo anterior.
2. Si necesario, accionar los interruptores de ajuste del flujo de agua de lavado (A e B, Fig. 17) según las propias necesidades, en función de la cantidad de trabajo que se debe efectuar.
3. Si necesario, parar la máquina y girar la empuñadura de ajuste de la boquilla (C) de manera que el caucho trasero (D) toque el suelo por toda su longitud.

Mandos de tracción de la máquina



¡ADVERTENCIA!

Estas operaciones deben ser efectuadas sólo por personal calificado o por un Centro de asistencia Clarke.

Según el tipo de suelo, o según la utilización del cepillo o del portafiltro, la velocidad de tracción y la capacidad de marcha rectilínea de la máquina pueden variar.

Es posible ajustarlas mediante dos tornillos (B e D, Fig. 18) puestas en la placa del cepillo, actuando como sigue:

- aflojando la tuerca (A) y girando el tornillo de ajuste (B) en sentido antihorario, la máquina se mueve hacia la izquierda; girándolo en sentido horario la máquina se mueve hacia la derecha;
- (sólo para **FOCUS II S20**), aflojando la tuerca (C) y girando el tornillo de ajuste (D) en sentido antihorario, la velocidad de la máquina aumenta; girándolo en sentido horario la velocidad de la máquina disminuye.

Al final de las operaciones, apretar las tuercas correspondientes (A y/o C).

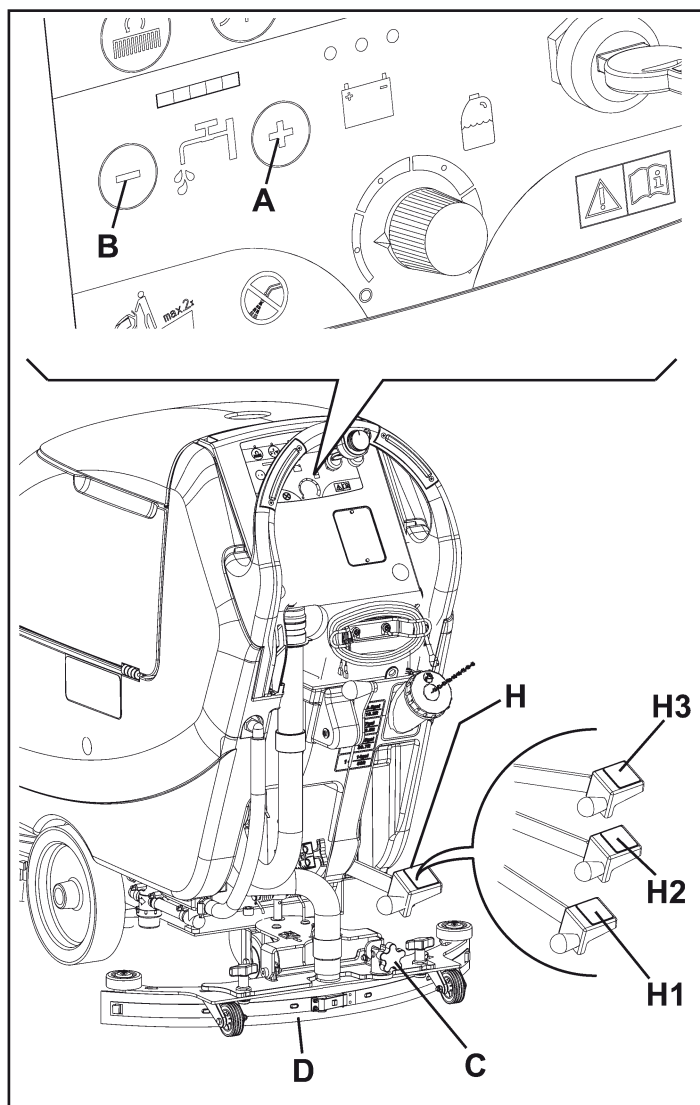


Figura 17

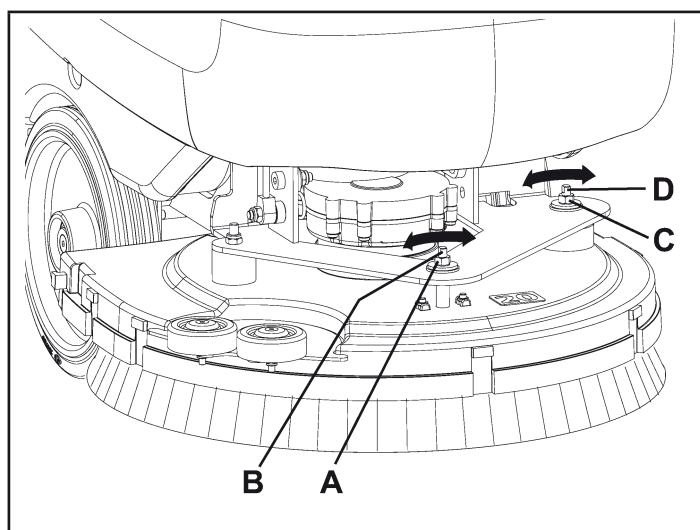


Figura 18



NOTA

Para un correcto lavado/secamiento de los suelos en los bordes de las paredes, Clarke sugiere acercarse con el lado derecho de la máquina (A y B, Fig. 19) como indicado en la figura.



¡ADVERTENCIA!

Para que la superficie del suelo no se dañe, evitar que los cepillos/portafiltros sigan funcionando con la máquina parada, especialmente si se trabaja con la función de presión suplementaria activada.

Ajuste del flujo de detergente en el agua de lavado

(Para máquinas con Chemical Mixing System)

1. Girar la perilla (A, Fig. 20) en sentido horario para aumentar la concentración de detergente, en sentido antihorario para disminuirla.
2. Las concentraciones medias del detergente utilizado, correspondientes a las 4 zonas pintadas de la escala (B), son iguales a los valores indicados en figura y en el adhesivo al interior de la máquina.
3. Girar la perilla (A) completamente en sentido antihorario para poner a cero la cantidad de detergente



NOTA

La concentración de detergente queda constante también variando el flujo del agua de lavado mediante los pulsadores (C) o (D).

Trabajo con la función de presión suplementaria de los cepillos/portafiltros

En caso de suelo con suciedad muy resistente, es posible trabajar con una presión suplementaria de los cepillos/portafiltros sobre el suelo, colocando el pedal (E) en posición (E3).



¡ADVERTENCIA!

La función de presión suplementaria no se puede activar cuando está instalado el cabezal portacepillos cilíndricos (S, Fig. 2 - Pág. 41).

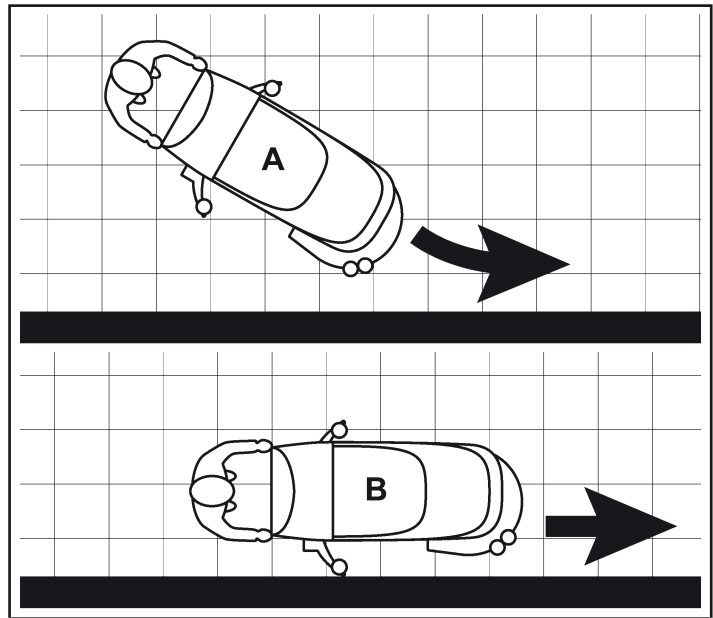


Figura 19

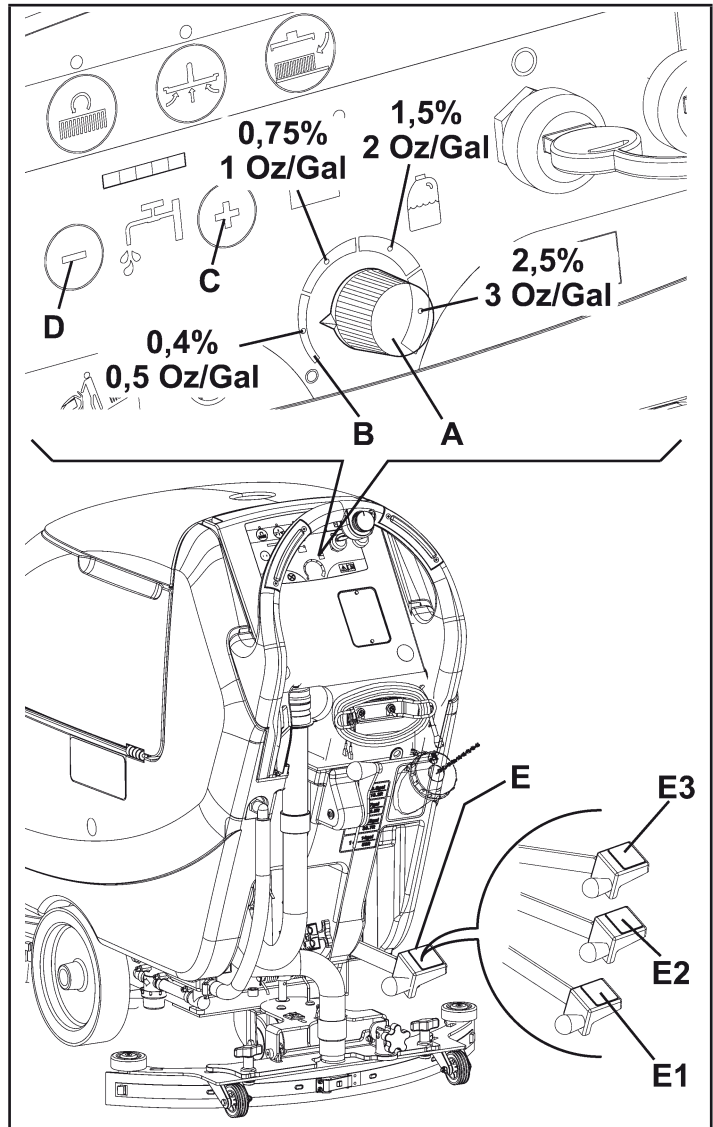


Figura 20

Descarga de las baterías durante el trabajo

Hasta que la luz de aviso verde (A, Fig. 21) se queda encendida, las baterías permiten el funcionamiento normal de la máquina.

Cuando el indicador verde (A) se apaga y el indicador amarillo (B) se enciende, es oportuno cargar las baterías, porque la autonomía residual de la máquina es de pocos minutos (variables en función de las características de la batería utilizada y del trabajo que se debe efectuar). Cuando el indicador rojo (C) se enciende, la autonomía está agotada. Tras unos segundos los cepillos/portafiltros se paran automáticamente; funcionan sólo el sistema de aspiración y (sólo para **FOCUS II L17**, **FOCUS II L20**, **FOCUS II L20 Cyl.**, **BOOST L20**) el sistema de tracción, para poder secar eventuales partes del suelo mojado y llevar la máquina en el lugar de recarga.



¡ADVERTENCIA!

Si se insiste en utilizar la máquina con las baterías descargadas, las baterías se pueden dañar y su vida útil se acorta.

VACIADO DE LOS DEPÓSITOS

Un sistema de cierre automático de flotador (A, Fig. 22) bloquea el sistema de aspiración cuando el depósito del agua de recuperación (B) está lleno.

Es posible darse cuenta del bloqueo del sistema de aspiración porque el ruido del motor del sistema de aspiración aumenta y porque el suelo no seca.



¡ADVERTENCIA!

Si el sistema de aspiración se apaga de forma accidental (por ejemplo por la intervención prematura del flotador durante un desplazamiento imprevisto de la máquina), para reactivarlo apagarlo pulsando el interruptor (D, Fig. 19), luego abrir la tapa (C, Fig. 22) y asegurarse de que el flotador al interior de la rejilla (A) haya bajado hasta el nivel del agua; por último cerrar la tapa (C) y reactivar el sistema de aspiración pulsando el interruptor (D, Fig. 19).

Cuando el depósito del agua de recuperación (B, Fig. 21) está lleno, vaciarlo mediante el procedimiento siguiente.

Vaciado del depósito del agua de recuperación

1. Parar la máquina.
2. Levantar el cabezal portacepillos/portafiltros (E, Fig. 21) pisando el pedal (F).
3. Levantar la boquilla (G) con la palanca (H).
4. Llevar la máquina en el área de eliminación designada.
5. Vaciar el depósito del agua de recuperación mediante el tubo (I). Al final del trabajo, enjuagar el depósito (B, Fig. 22) con agua limpia.

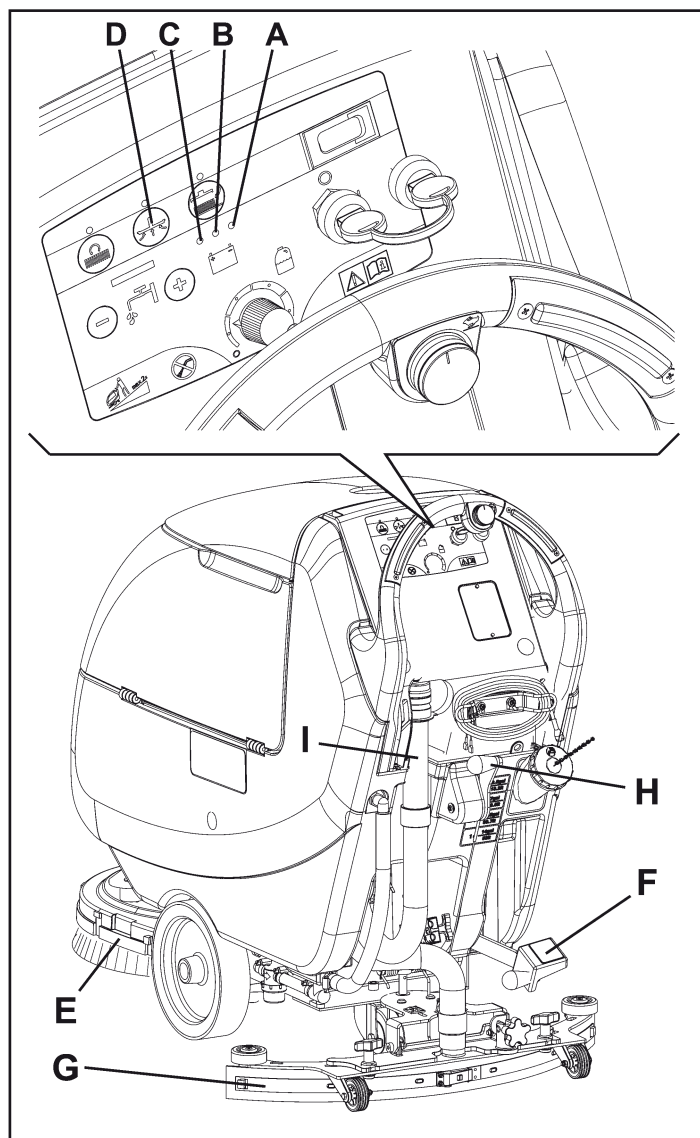


Figura 21

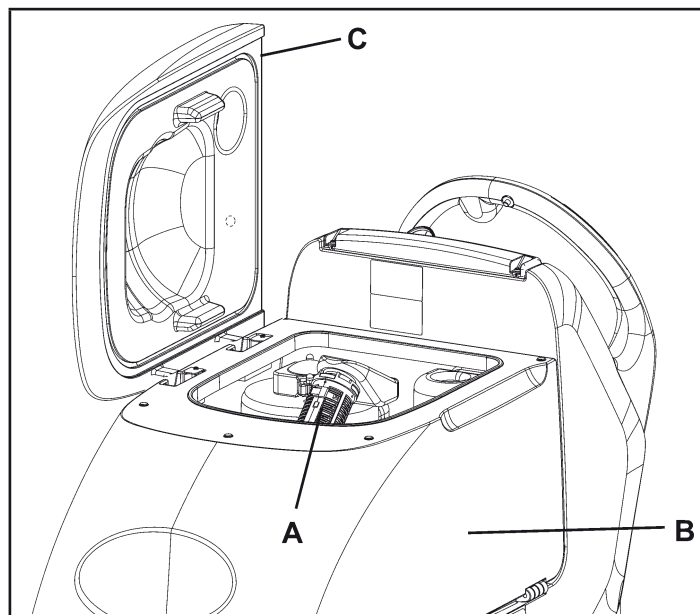


Figura 22

Vaciado del depósito de la solución detergente/agua limpia

6. Llevar a cabo los pasos de 1 a 4.
7. Vaciar el depósito de la solución detergente mediante el tubo (A, Fig. 23). Al final del trabajo, enjuagar el depósito con agua limpia.

Vaciado del contenedor de residuos de los cepillos cilíndricos (sólo para cabezal portacepillos cilíndricos)

8. Parar la máquina.
9. Con el cabezal portacepillos cilíndricos bajado, quitar el contenedor de residuos (A, Fig. 24) tirándolo lateralmente mediante la manilla (B).
10. Vaciar y limpiar el contenedor (A), luego instalarlo enganchando los retenes.

DESPUÉS DEL USO DE LA MÁQUINA

Al final del trabajo, antes de alejarse de la máquina:

1. Quitar los cepillos/portafiltros, mediante el procedimiento indicado en el párrafo específico.
2. Vaciar los depósitos (B y C, Fig. 23) y el contenedor de residuos (A, Fig. 24) como indicado en el párrafo específico.
3. Llevar a cabo los procedimientos de mantenimiento necesarios después del uso de la máquina (véase el capítulo Mantenimiento).
4. Tener la máquina en un lugar seco y limpio, con los cepillos/portafiltros y la boquilla desmontados o levantados.

PERIODO DE LARGA INACTIVIDAD DE LA MÁQUINA

Si se piensa que la máquina no va a ser utilizada durante 30 días o más, efectuar las operaciones siguientes:

1. Llevar a cabo los procedimientos indicados en el párrafo "Después del uso de la máquina".
2. Desconectar el conector (D, Fig. 23) de las baterías.

PRIMER PERIODO DE UTILIZACIÓN

Después de las primeras 8 horas, controlar la sujeción de los componentes de fijación y de conexión de la máquina; controlar que las partes visibles no estén dañadas y que no haya pérdidas.

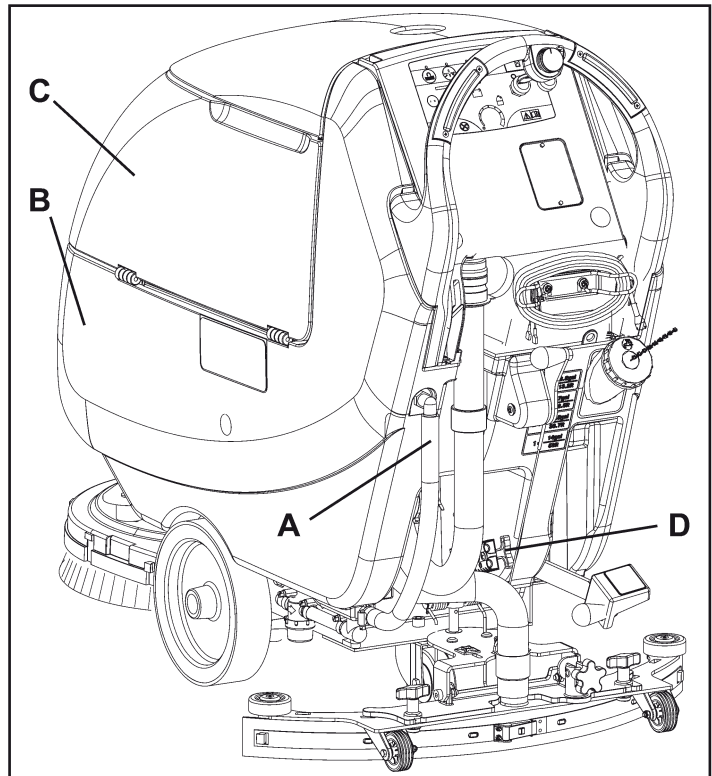


Figura 23

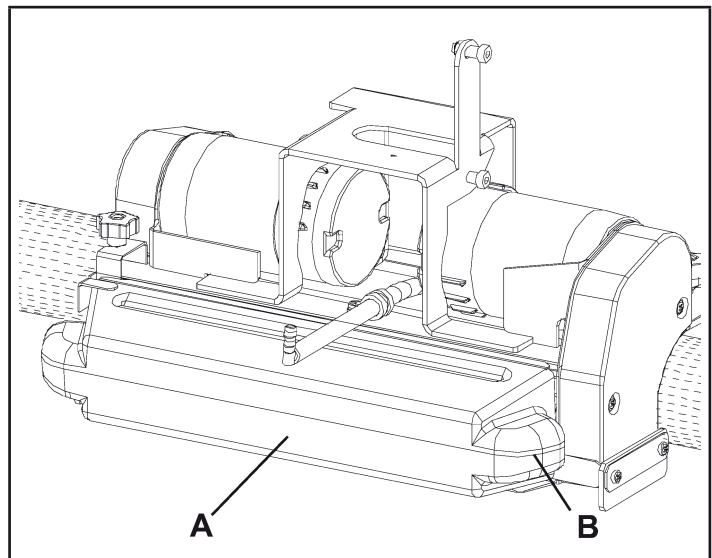


Figura 24

MANTENIMIENTO



¡ATENCIÓN!

Un mantenimiento cuidadoso y continuo garantiza la vida útil y la seguridad de funcionamiento de la máquina.



¡ATENCIÓN!

Todas las operaciones de mantenimiento programado o extraordinario deben ser efectuadas por el personal calificado o por un Centro de asistencia autorizado.



¡ATENCIÓN!

Las operaciones deben efectuarse con la máquina apagada y con las baterías desconectadas. Antes de efectuar las operaciones de mantenimiento, leer cuidadosamente todas las instrucciones del capítulo Seguridad.

El esquema siguiente resume el mantenimiento programado. Los períodos indicados pueden variar según las condiciones de trabajo, que el encargado del mantenimiento debe establecer.

En este manual, después del esquema de mantenimiento programado, se describen sólo las operaciones de mantenimiento más sencillas y frecuentes.

Para las operaciones de mantenimiento no indicadas en el esquema de mantenimiento programado, véase el relativo Manual de asistencia disponible en los Centros de asistencia.

ESQUEMA DE MANTENIMIENTO PROGRAMADO

Procedimiento	Diaria, después del uso de la máquina	Semanaria	Semestral	Anual
Carga de las baterías				
Limpieza de la boquilla				
Limpieza de los cepillos/filtros				
Limpieza de los depósitos, de la rejilla de aspiración con flotador y control de la guarnición de la tapa				
Control y sustitución de los cauchos de la boquilla				
Limpieza del filtro de la solución detergente/agua limpia				
Limpieza del motor del sistema de aspiración				
Control del nivel del líquido de las baterías WET				
Control de la torsión de tuercas y tornillos			(1)	
Control o sustitución de las escobillas de carbón de los motores de los cepillos/portafiltros				(2)
Control o sustitución de las escobillas de carbón del motor del sistema de aspiración				(2)
Control o sustitución de las escobillas de carbón del motor del sistema de tracción (sólo para FOCUS II L17 , FOCUS II L20 , FOCUS II L20 Cyl. , BOOST L20)				(2)

(1) Y después de las primeras 8 horas de trabajo.

(2) Mantenimiento de competencia de un Centro de asistencia autorizado Clarke.

LIMPIEZA DE LA BOQUILLA



NOTA

Para un buen secamiento, la boquilla debe estar limpia y con los cauchos en buenas condiciones.



¡ADVERTENCIA!

Durante estas operaciones se aconseja usar guantes de trabajo, porque residuos cortantes podrían estar en el cepillo.

1. Llevar la máquina sobre un suelo llano.
2. Colocar la llave de encendido (A, Fig. 25) en posición "0".
3. Bajar la boquilla (B) con la palanca (C).
4. Aflojar las empuñaduras (D) y quitar la boquilla (B).
5. Desconectar el tubo de aspiración (E) de la boquilla.
6. Lavar y limpiar la boquilla de acero o de aluminio (Fig. 26). Limpiar sobre todo los huecos (A) y el orificio (B). Controlar que los cauchos delantero (C) y trasero (D) estén en buenas condiciones, que no sean cortados o desgarrados; de lo contrario, sustituirlos (véase el procedimiento en el párrafo siguiente).
7. Montar la boquilla en orden contrario al desmontaje.

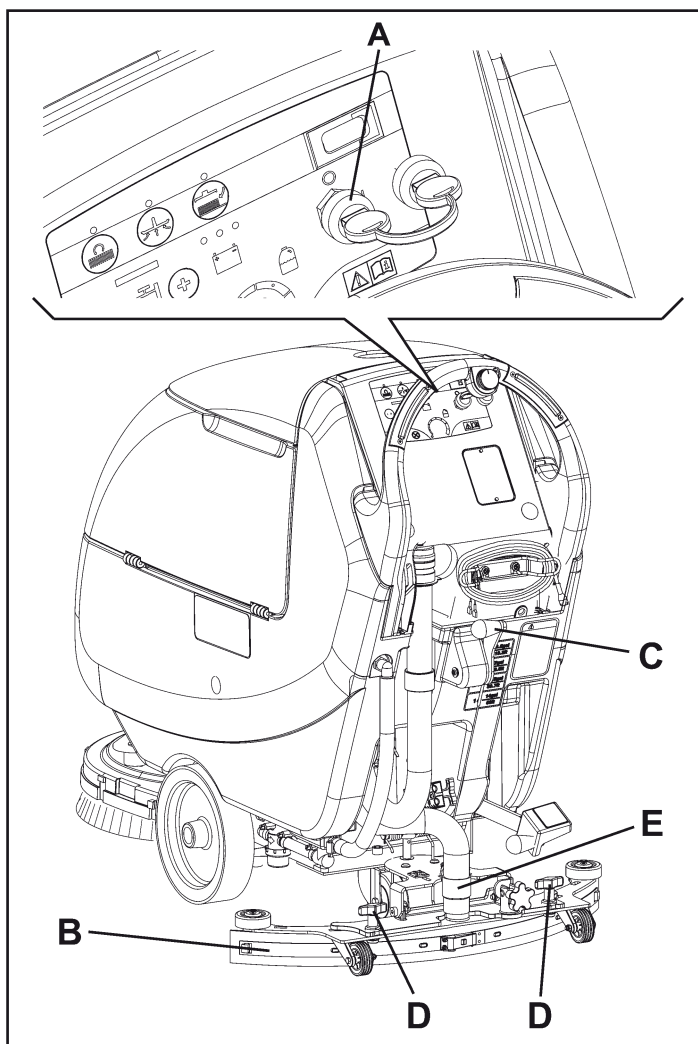


Figura 25

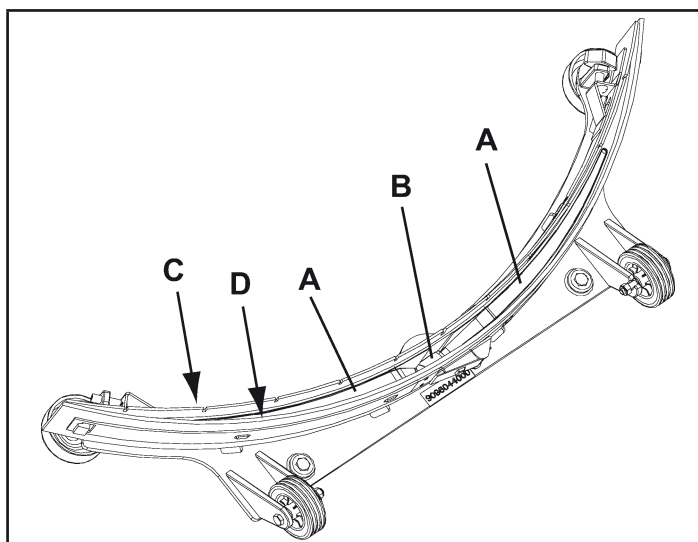


Figura 26

CONTROL Y SUSTITUCIÓN DE LOS CAUCHOS DE LA BOQUILLA

1. Limpiar la boquilla de acero o de aluminio como indicado en el párrafo anterior.
2. Controlar que los bordes (E, Fig. 28) del cauchos delantero (C) y los bordes (F) del caucho trasero (D) apoyen contemporáneamente sobre un plano de comprobación, por toda su longitud; de lo contrario, ajustar la altura, como indicado a continuación:
 - Desconectar el tirante (G), desenganchar los retenes (M) y ajustar el caucho trasero (D), luego enganchar los retenes (M) y por último enganchar el tirante (G).
 - Aflojar las empuñaduras (I) y ajustar el caucho delantero (C), luego apretar las empuñaduras.
3. Controlar que los cauchos delantero (C) y trasero (D) estén en buenas condiciones, que no estén cortados o desgarrados; de lo contrario, sustituirlos como indicado a continuación. Controlar también que el canto delantero (J) del caucho trasero (D) no esté desgastado; de lo contrario volcar el caucho mismo, llevando en su posición uno de los otros tres cantos que todavía no está desgastado. Si también los otros tres cantos están desgastados, sustituir el caucho mediante el procedimiento siguiente:
 - Desenganchar el tirante (G), desenganchar los retenes (M), quitar la cinta de sujeción (K) y sustituir/volcar el caucho trasero (D). Montar el caucho en orden contrario al desmontaje.
 - Desenroscar las empuñaduras (I) y quitar la cinta de sujeción (L), luego sustituir el caucho delantero (C). Montar el caucho en orden contrario al desmontaje.

Después de haber sustituido (o volcado) los cauchos, ajustar su altura, como indicado en el paso anterior.
4. Conectar el tubo de aspiración (A, Fig. 27) a la boquilla.
5. Montar la boquilla (B) y enroscar las empuñaduras (C).
6. Si necesario, ajustar la empuñadura de ajuste del equilibrado (D) de la boquilla.

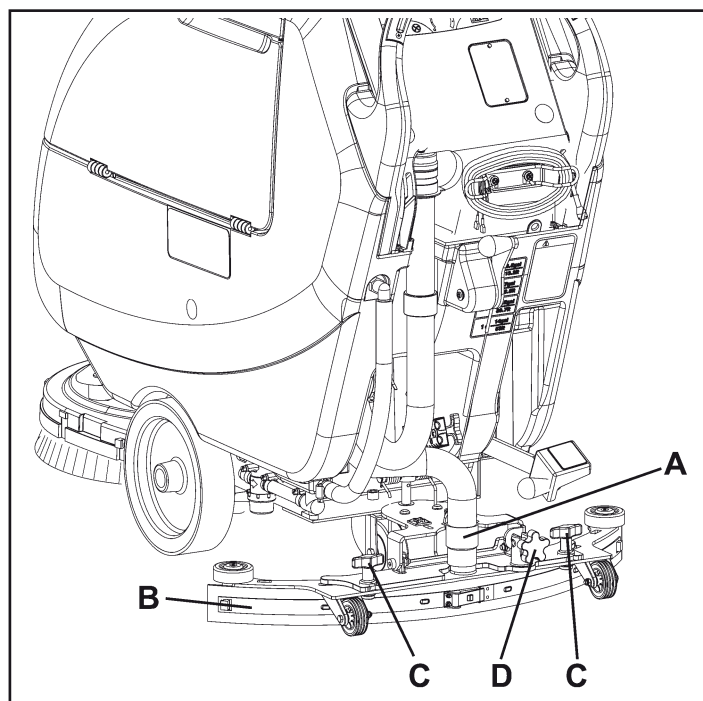


Figura 27

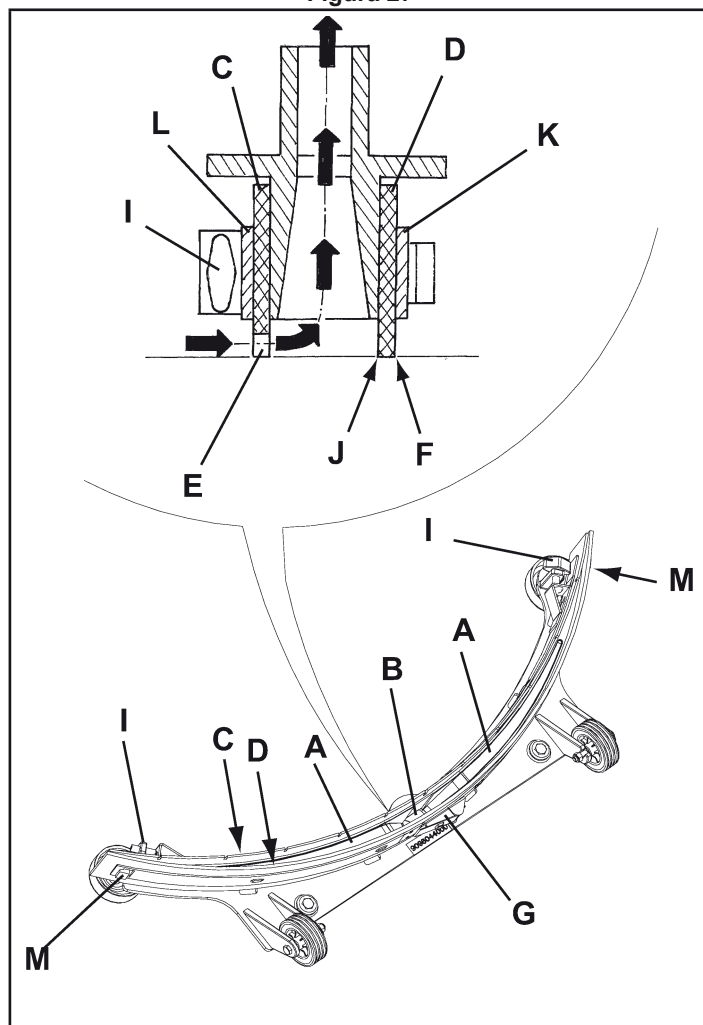


Figura 28

LIMPIEZA DE LOS CEPILLOS/FIELTROS



¡ADVERTENCIA!

Durante la limpieza del cepillo/filtro, se aconseja usar guantes de trabajo, porque residuos cortantes podrían estar en el cepillo.

1. Quitar los cepillos/filtros de la máquina como indicado en el capítulo Uso.
2. Limpiar y lavar los cepillos/filtros con agua y detergente.
3. Controlar que los cepillos/filtros estén en buenas condiciones y que no estén excesivamente desgastados; de lo contrario, sustituirlos.
4. En el cabezal portaceillos cilíndricos, quitar el contenedor de residuos (A, Fig. 29) tirándolo lateralmente mediante la manilla (B).
Vaciar y limpiar el contenedor de residuos (A), luego instalarlo enganchando los retenes internos.

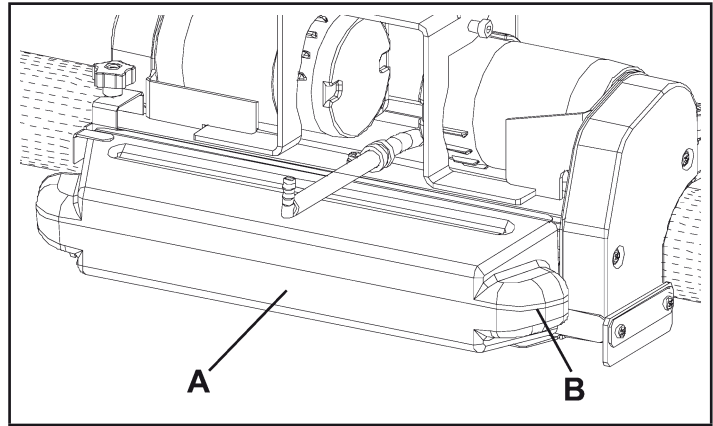


Figura 29

LIMPIEZA DEL FILTRO DEL MOTOR DEL SISTEMA DE ASPIRACIÓN

1. Llevar la máquina sobre un suelo llano.
2. colocar la llave de encendido (A, Fig. 30) en posición "0".
3. Levantar el depósito del agua de recuperación (B).
4. Si necesario, vaciar el agua del depósito con el tubo para efectuar una inspección visual del filtro.
5. Controlar que el prefiltro (C) esté limpio. Si necesario, limpiarlo con agua y con aire comprimido, luego reinstalarlo.
6. Efectuar los pasos 1, 2 y 3 en orden contrario.

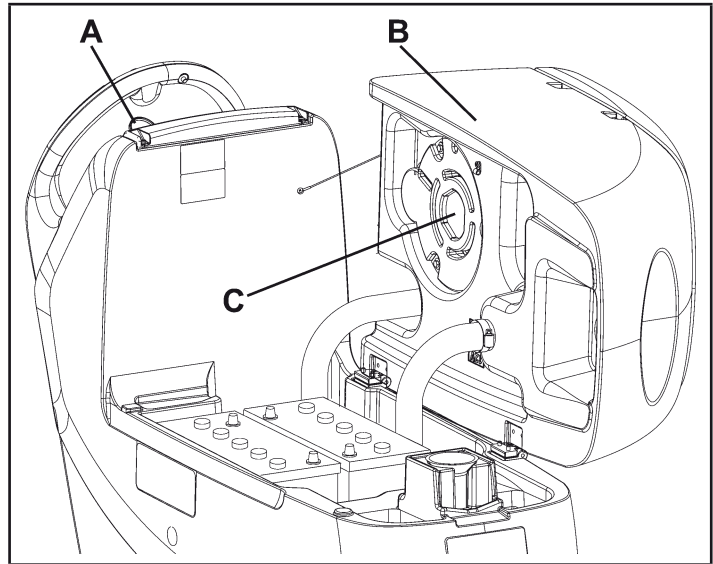


Figura 30

LIMPIEZA DEL FILTRO DE LA SOLUCIÓN DETERGENTE/AGUA LIMPIA

1. Llevar la máquina sobre un suelo llano.
2. colocar la llave de encendido (A, Fig. 29) en posición "0".
3. Cerrar el grifo de la solución detergente/agua limpia (A, Fig. 31) que está bajo de la máquina, detrás de la rueda trasera derecha. El grifo (A) está cerrado cuando está en la posición (B) con respecto a la tubería y está abierto cuando está en la posición (C).
4. Quitar la tapa transparente (D), luego quitar la rejilla filtrante (E). Limpiarlas y montarlas en el soporte (F).



NOTA

Posicionar correctamente la rejilla filtrante (E) en el alojamiento (G) del soporte (F).

5. Abrir el grifo (A).

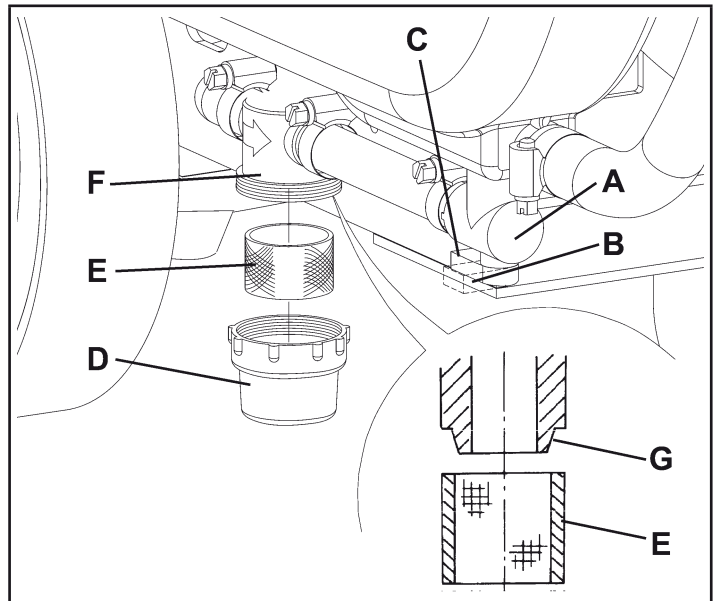


Figura 31

LIMPIEZA DE LOS DEPÓSITOS, DE LA REJILLA DE ASPIRACIÓN CON FLOTADOR Y CONTROL DE LA GUARNICIÓN DE LA TAPA

1. Llevar la máquina en el área de eliminación designada.
2. Colocar la llave de encendido (A, Fig. 32) en posición "0".
3. Abrir la tapa (A, Fig. 33) en la posición de lavado (L).
4. Limpiar y lavar con agua limpia la tapa (A), los depósitos (B y C) y la rejilla de aspiración con cierre automático de flotador (D).
5. Vaciar el agua de los depósitos mediante los tubos (B y C, Fig. 32).
Si necesario, desenganchar los retenes (E, Fig. 33), abrir la rejilla (D) y quitar el flotador (F), luego limpiar con cuidado y volver a instalar.
6. Controlar que la guarnición (G) de la tapa del depósito no sea dañada.

i NOTA

La guarnición (G) causa la formación de vacío en el depósito, necesario para la aspiración del agua de recuperación.

Si necesario, sustituir la guarnición (G), quitándola de su alojamiento (H). Cuando se instala la nueva guarnición, posicionar su unión (I) en el área central trasera que se muestra en la figura.

7. Controlar también que toda la superficie periférica (J) de apoyo de la guarnición (G) no esté dañada y que sea adecuada para la estanqueidad de la guarnición misma.

i NOTA

El orificio (K) permite la compensación de aire en el intersticio de la tapa, causando la formación de vacío en el depósito.

8. Cerrar la tapa (A).

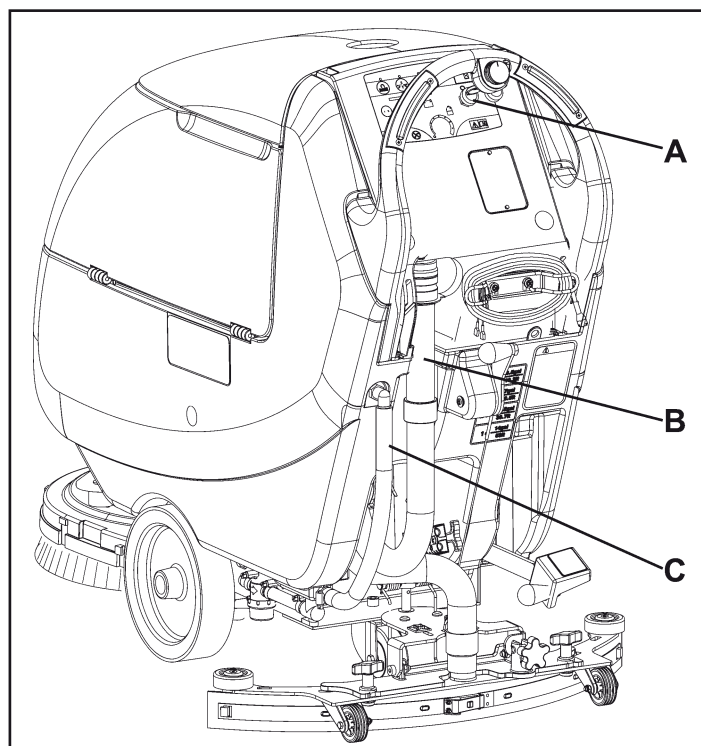


Figura 32

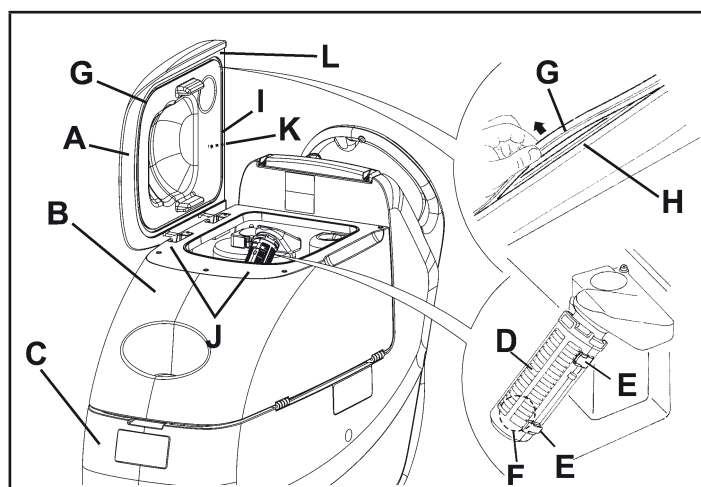


Figura 33

LIMPIEZA DEL DEPÓSITO DEL DETERGENTE

(Para máquinas con Chemical Mixing System)

Limpiar el depósito del detergente (C, Fig. 35) efectuando el procedimiento siguiente:

1. Llevar la máquina en el área de eliminación designada.
2. colocar la llave de encendido (A, Fig. 34) en posición "0".
3. Abrir la tapa (B) y asegurarse de que el depósito del agua de recuperación (C) esté vacío, de lo contrario vaciarlo a través del tubo de descarga (D). Cerrar la tapa (B).
4. Levantar el depósito (C) con cuidado.
5. Desenroscar el tapón (A, Fig. 35) y desconectar el tubo (B) del depósito (C).
6. Quitar el depósito.
7. Lavar y limpiar el depósito en el área de eliminación designada.
8. Montar el depósito (C) y conectarlo al tubo (B).
9. Después del vaciado del depósito del detergente puede ser necesario expurgar el Chemical Mixing System haciendo funcionar el sistema sólo con agua limpia.

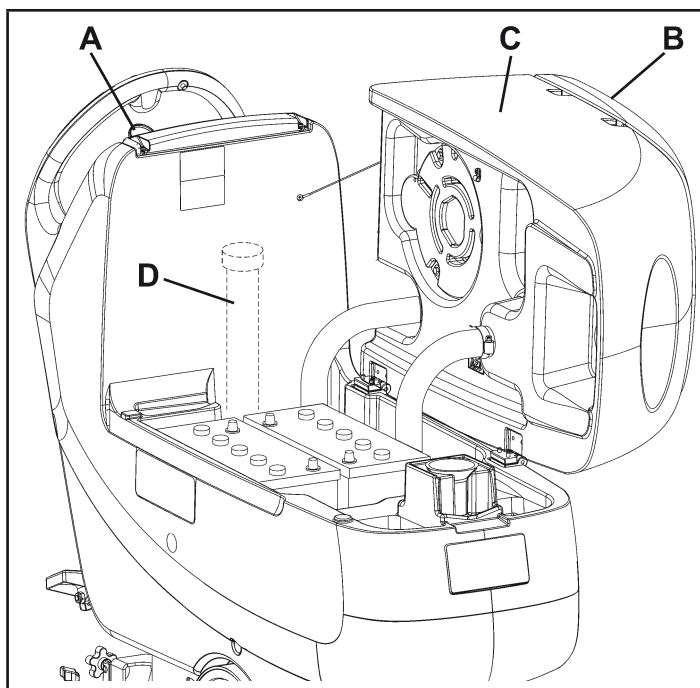


Figura 34

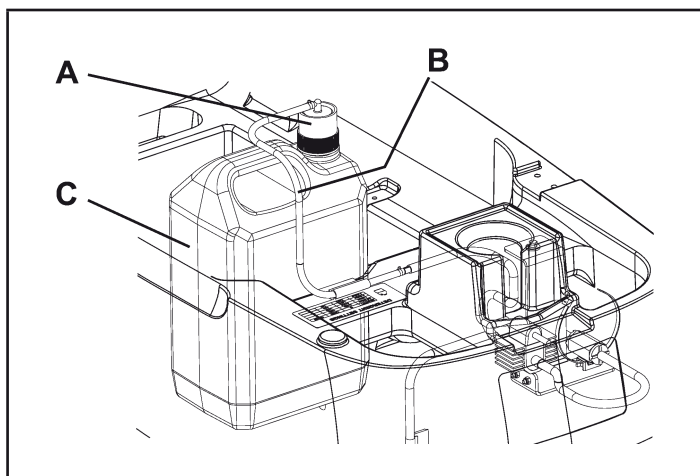


Figura 35

DESMONTAJE/MONTAJE DEL CABEZAL PORTACEPILLOS/PORTAFIELTROS/PORTACEPILLOS CILÍNDRICOS

En la máquina se puede instalar/quitar fácilmente tanto el cabezal portacepillos/portafiltros (R, Fig. 2 - Pág. 41) como el cabezal portacepillos cilíndricos (S, Fig. 2 - Pág. 41).

Desmontaje

1. Llevar la máquina sobre un suelo llano.
2. Quitar los cepillos/portafiltros mediante el procedimiento indicado en el párrafo específico. No quitar los cepillos cilíndricos.
3. Bajar el cabezal portacepillos/portafiltros pisando el pedal.
4. Si presentes, quitar las clavijas (B, Fig. 36) y el resorte de gas (A).
5. Desconectar la conexión eléctrica (D) de los motores de los cepillos/portafiltros.
6. Desconectar el racor (E) de la tubería de la solución detergente.
7. Quitar los tornillos (C), luego quitar el cabezal portacepillos/portafiltros (F).

Montaje

8. Montar los componentes en orden contrario al desmontaje, teniendo cuidado de lo que sigue:
 - si el cabezal portacepillos cilíndricos (S, Fig. 2 - Pág. 41) está instalado en la máquina, el resorte de gas (A, Fig. 36) no debe ser instalado

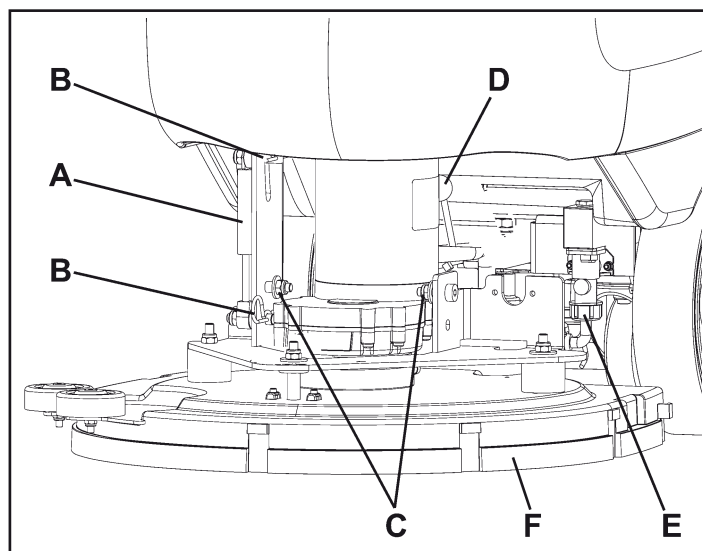


Figura 36

CARGA DE LAS BATERÍAS



NOTA

Cargar las baterías cuando el indicador luminoso amarillo (A, Fig. 37) o rojo (B) se enciende o al final de cada trabajo.



¡ADVERTENCIA!

Si se mantienen las baterías cargadas, su durabilidad aumenta.



¡ADVERTENCIA!

No dejar las baterías descargadas durante mucho tiempo, porque su durabilidad podría reducirse. Controlar la carga de las baterías por lo menos una vez por semana.



¡ATENCIÓN!

Cargando las baterías WET se produce gas hidrógeno muy explosivo. Cargar las baterías sólo en áreas bien ventiladas y lejos de llamas libres. No fumar cuando se cargan las baterías. El depósito debe quedarse abierto mientras que se cargan las baterías.



¡ATENCIÓN!

Tener cuidado mientras que se cargan las baterías porque el líquido de baterías podría sobresalir. Este líquido es muy corrosivo. En caso de contacto con la piel o los ojos, lavar a conciencia con agua y consultar un médico.

Operaciones preliminares

1. Abrir la tapa (A, Fig. 38) y asegurarse de que el depósito del agua de recuperación (B) esté vacío, de lo contrario vaciarlo a través del tubo de descarga (C).
2. Llevar la máquina en el área designada a la carga de las baterías.
3. Colocar la llave de encendido (C, Fig. 37) en posición "0".
4. Levantar el depósito (B, Fig. 38) con cuidado.
5. Sólo para baterías WET:
 - Controlar el nivel de electrolito de las baterías (D) ; si necesario, añadir a través de los tapones (E).
 - Dejar todos los tapones (E) abiertos para la recarga siguiente.
 - Si necesario, limpiar la superficie superior de las baterías (D).
6. Cargar las baterías según el procedimiento siguiente.

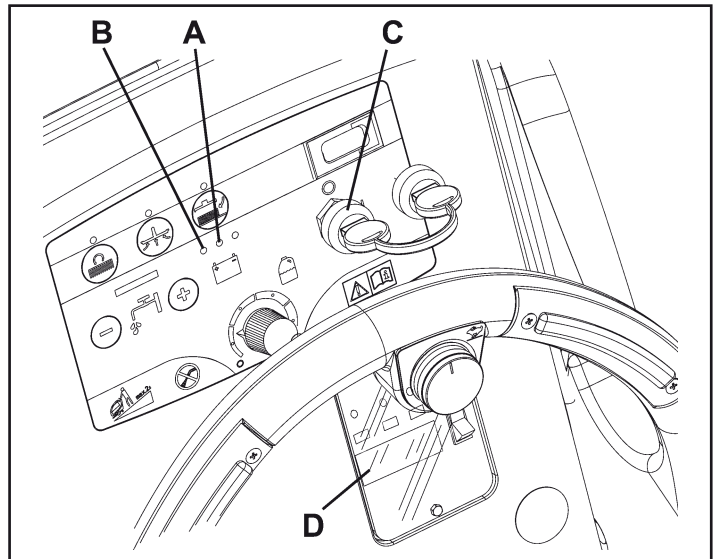


Figura 37

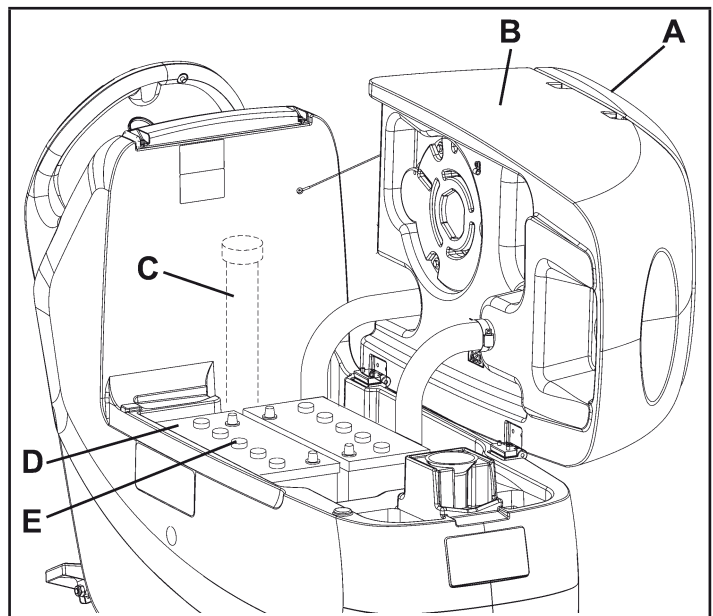


Figura 38

Carga de las baterías con el cargador de baterías instalado en la máquina

7. Conectar el cable (A, Fig. 40) del cargador de baterías a la red eléctrica [la tensión y la frecuencia de la red deben ser compatibles con los valores del cargador de baterías, indicados en la placa del número de serie (D, Fig. 39) de la máquina].
Cuando el cargador de baterías está conectado a la red eléctrica, todas las funciones de la máquina se paran automáticamente.
El indicador rojo (B, Fig. 40) se queda encendido en el panel de control para indicar que el cargador está cargando las baterías.
8. Cuando el indicador verde (C) se enciende, el ciclo de carga de las baterías está acabado.
9. Una vez efectuada la carga, desconectar el cable (A) del cargador de baterías de la red eléctrica y engancharlo a su alojamiento (D).
10. Bajar el depósito (D) con cuidado.



NOTA

Para informaciones suplementarias sobre el funcionamiento del cargador de baterías (E, Fig. 40) véase el manual relacionado.

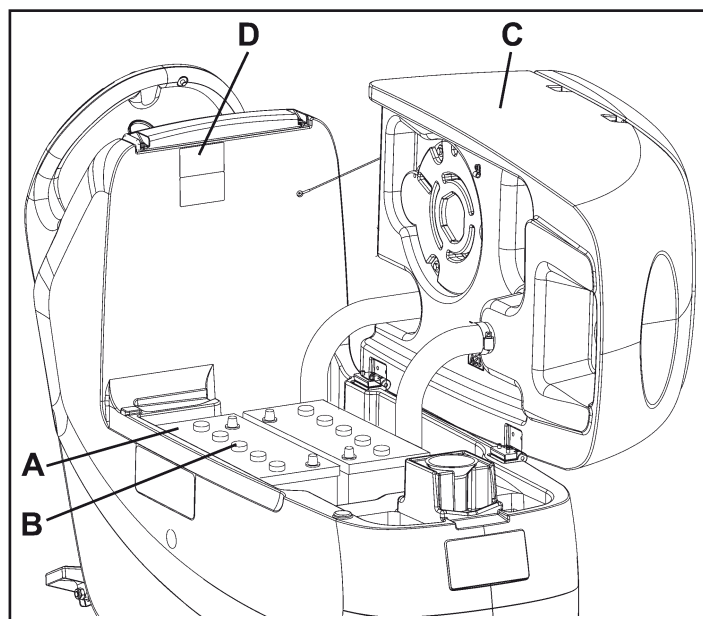


Figura 39

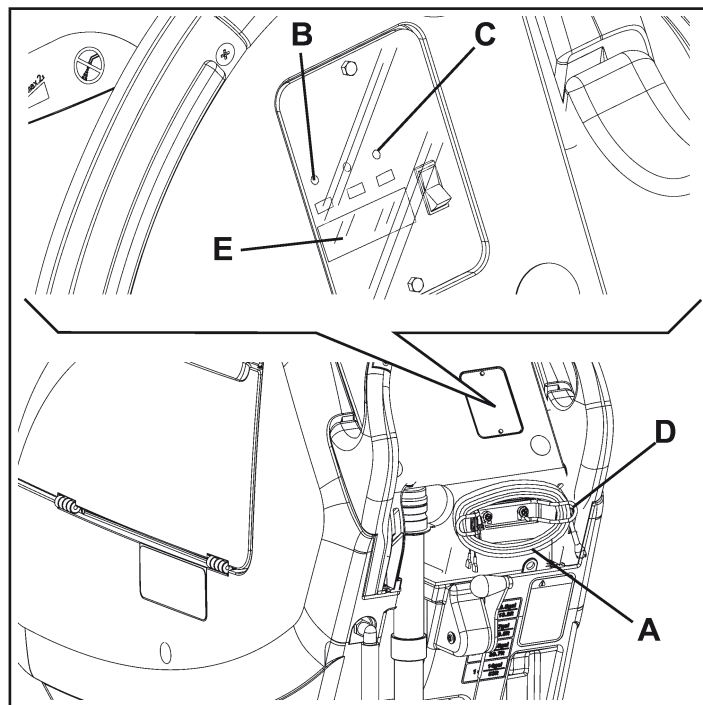


Figura 40

CONTROL DE LAS HORAS DE TRABAJO DE LA MÁQUINA

(Sólo si la máquina está equipada con cuentahoras)

1. Colocar la llave de encendido (A, Fig. 41) en posición "I".
2. Pulsar el interruptor (B) y leer en el cuentahoras (C) el número total de las horas de trabajo (lavado/secado) efectuadas por la máquina.
3. Pulsar de nuevo el interruptor (B).
4. Colocar la llave de encendido (A) en posición "0".

CONTROL/SUSTITUCIÓN DE LOS FUSIBLES

1. Desconectar el conector de las baterías (A, Fig. 42).
2. Desplazar el tubo de descarga del agua de recuperación (B).
3. Quitar el cable del cargador de baterías (I, Fig. 43) del soporte (J).
4. Quitar los tornillos (A) y desplazar el panel (B) con cuidado desenganchando el anillo de goma (K) del alojamiento del panel (B).
5. Controlar/sustituir los siguientes fusibles:
 - C) Fusible F1, cabezal portacepillos: (40 A)
 - D) Fusible F2, sistema de aspiración: (30 A)
 - E) Fusible F3, sistema de tracción: (30 A) (*)
 - F) Fusible F4, circuitos de señal: (3 A)
 - G) Fusible F5, desenganche cepillos/portafiltros: (20 A)
 - H) Fusible F6, bombas: (3 A)
6. Efectuar los pasos de 1 a 4 en orden contrario.

(*) Sólo para FOCUS II L17, FOCUS II L20, FOCUS II L20 Cyl., BOOST L20

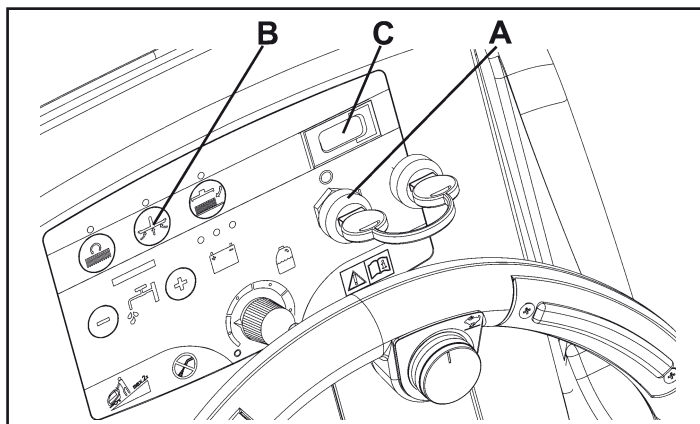


Figura 41

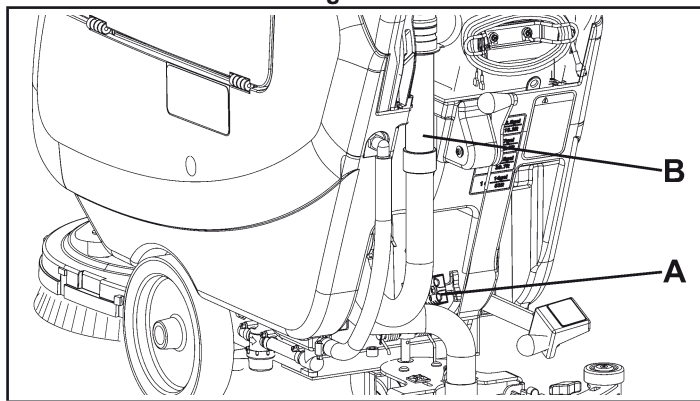


Figura 42

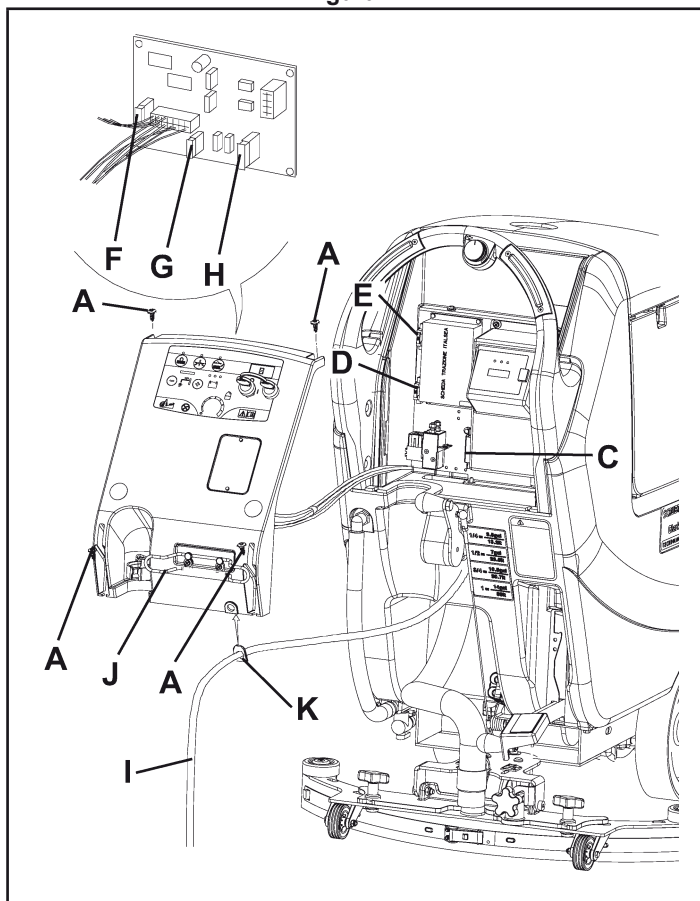


Figura 43

ACCESORIOS/OPCIONES PARA FOCUS II

Además de los componentes instalados en la versión estándar, la máquina puede equiparse con los siguientes accesorios/opciones, según la utilización específica:

Para informaciones suplementarias sobre estos accesorios opcionales, acudir al Revendedor autorizado.

ACCESORIOS OPCIONALES

Véase la sección "Catálogo piezas de repuestos".

1. Baterías GEL
2. Cepillos y cepillos cilíndricos de diferentes materiales
3. Filtros de diferentes materiales
4. Chemical Mixing System

BÚSQUEDA AVERÍAS

Problema	Probable causa	Remedio
Los motores no funcionan; ningún indicador luminoso se enciende.	Conector de las baterías desconectado.	Conectar el conector de las baterías.
	Baterías completamente descargadas.	Cargar las baterías.
La máquina no se mueve (Sólo para las fregadoras/secadoras con tracción)	La máquina fue encendida con la llave de encendido teniendo pulsado uno de los pulsadores de accionamiento marcha y cepillos.	Colocar la llave de encendido en la posición "0", luego intentar poner en marcha otra vez sin pulsar los pulsadores de accionamiento marcha y cepillos.
Los 3 indicadores de carga de la batería parpadean simultáneamente.	Sobrecarga del motor del cepillo.	Utilizar cepillos menos duros o de tipo diferente o no trabajar con presión suplementaria activada.
	Material extraño (hilos enrollados, etc.) que pueden frenar la rotación del cepillo.	Limpiar el cubo del cepillo.
Los cepillos no funcionan; el indicador luminoso rojo está encendido.	Baterías descargadas	Cargar las baterías.
Insuficiente aspiración del agua de recuperación.	Depósito del agua de recuperación lleno.	Vaciar el depósito.
	Tubo desconectado de la boquilla.	Conectarlo.
	Rejilla de aspiración obstruida o flotador en cierre.	Limpiar la rejilla o controlar el flotador.
	Boquilla sucia o cauchos de la boquilla desgastados o dañados.	Limpiar y controlar la boquilla.
	Tapa de los depósitos no correctamente cerrado, guarnición del depósito desgastada o orificio de compensación obstruido.	Cerrar correctamente la tapa, sustituir la guarnición o limpiar el orificio de compensación.
	Depósito del agua de recuperación sucio.	Limpiarlo.
El flujo de solución detergente a los cepillos es insuficiente.	Filtro de la solución detergente o del agua limpia sucio.	Limpiar el filtro.
Estriados causados por la boquilla.	Residuos bajo de los cauchos de la boquilla.	Quitar los residuos.
	Cauchos de la boquilla desgastados, astillados o desgarrados.	Sustituir los cauchos.
	Boquilla no ajustada con la empuñadura de ajuste.	Ajustarla.



NOTA

La máquina equipada de cargador de baterías no puede funcionar si el cargador no está a bordo. Si el cargador de baterías está averiado, acudir a un Centro de asistencia autorizado.

Para informaciones suplementarias consultar el Manual de asistencia en los Centros de asistencia Clarke.

ELIMINACIÓN

Eliminar la máquina en un demoledor calificado.

Antes de eliminar la máquina es necesario quitar y separar los siguientes materiales y eliminarlos según las actuales normas de higiene ambiental:

- Baterías
- Cepillos/filtros
- Tubos y componentes de plástico
- Componentes eléctricos y electrónicos (*)

(*) En particular, para la eliminación de los componentes eléctricos y electrónicos, contactar con Clarke.

LISEZ CE MANUEL

Il contient des informations importantes pour une utilisation correcte de la machine, en toute sécurité. Lisezle complètement avant de mettre la machine en marche ou d'effectuer un entretien. A défaut, vous risqueriez de vous blesser ou de blesser d'autres membres du personnel, k'endommager sérieusement la machine ou de provoquer des dégâts dans son environnement. Avant de se servir de la machine, il est indispensable d'avoir reçu une formation. Si vous-même (ou le conducteur) ne parlez pas français, veuillez demander (ou lui fournir) toutes les explications nécessaires. Des versions du manuel existent en d'autres langues.
























Toutes les indications de direction figurant dans ce manuel sont visualisées depuis la position du conducteur, à l'arrière de la machine.























Des manuels supplémentaires peuvent être obtenus auprès de votre revendeur Clarke.

INDEX

Manuel d'utilisation	1
CONSIGNES DE SECURITE POUR L'OPERATEUR	67
INTRODUCTION	69
CONSERVATION DU MANUEL	69
DONNEES D'IDENTIFICATION	69
MODIFICATIONS ET AMELIORATIONS	69
DEBALLAGE	69
CARACTERISTIQUES TECHNIQUES	70
PROCEDURES POUR LE TRANSPORT	71
SYMBOLES UTILISES SUR LA MACHINE	71
DESCRIPTION DE LA MACHINE	72
STRUCTURE EXTERNE ET INTERNE	72
TABLEAU DE BORD	74
HUBLOT DE LECTURE DES DONNEES DU CHARGEUR DE BATTERIE	74
UTILISATION	75
CONTROLE / PREPARATION DES BATTERIES SUR UNE MACHINE NEUVE	75
INSTALLATION DES BATTERIES ET CONFIGURATION SELON LE TYPE DE BATTERIES INSTALLE (WET OU GEL)	76
AVANT LA MISE EN MARCHÉ DE LA MACHINE	77
MISE EN MARCHÉ ET ARRÊT DE LA MACHINE	82
MACHINE AU TRAVAIL (LAVAGE / SECHAGE)	83
VIDANGE DES RESERVOIRS	85
APRES L'UTILISATION DE LA MACHINE	86
INACTIVITE PROLONGEE DE LA MACHINE	86
PREMIERE PERIODE D'UTILISATION	86
ENTRETIEN	87
PLAN D'ENTRETIEN PROGRAMME	87
NETTOYAGE DE L'EMBOUCHURE	88
CONTROLE ET REMPLACEMENT DES LAMELLES EN CAOUTCHOUC DE L'EMBOUCHURE	89
NETTOYAGE DES BROSSES / DISQUES	90
NETTOYAGE DU FILTRE DU MOTEUR DU SYSTEME D'ASPIRATION	90
NETTOYAGE DU FILTRE DE LA SOLUTION / DE L'EAU PROPRE	90
NETTOYAGE DES RESERVOIRS, DE LA GRILLE D'ASPIRATION AVEC FLOTTEUR ET CONTROLE DU JOINT D'ETANCHEITE DU COUVERCLE	91
NETTOYAGE DU RESERVOIR DU DETERGENT	92
DEPOSE / REPOSE DE LA TETE PORTE-BROSSES / PLATEAUX SUPPORT DISQUE / PORTE-BROSSES CYLINDRIQUES	93
CHARGEMENT DES BATTERIES	94
CONTROLE DES HEURES DE TRAVAIL DE LA MACHINE	96
CONTROLE / REMPLACEMENT DES FUSIBLES	96
ACCESSOIRES OPTIONNELS POUR FOCUS II	97
DEPISTAGE DES PANNES	97
MISE EN DECHARGE	97
Parts List	99

CONSIGNES DE SECURITE POUR L'OPERATEUR

	DANGER !	<i>Indique une situation dangereuse exposant l'opérateur au risque de blessures graves, voire mortelles.</i>
	ATTENTION !	<i>Indique une situation exposant au risque de blessures ou de dommages matériels.</i>
	AVERTISSEMENT !	<i>Indique un avertissement sur des fonctions clé ou utiles. Prêter la plus grande attention aux segments de texte marqués par ce symbole.</i>
	DANGER !	<i>Débrancher les batteries avant d'effectuer toute opération d'entretien / réparation.</i>
	DANGER !	<i>Cette machine doit être utilisée uniquement par un personnel adéquatement formé et autorisé. L'utilisation de la machine est interdite aux enfants et aux personnes handicapées.</i>
	DANGER !	<i>Tenir les étincelles, les flammes et les matériaux incandescents loin des batteries. Les batteries produisent des gaz potentiellement explosifs pendant l'utilisation ordinaire.</i>
	DANGER !	<i>Ne pas porter de bijoux quand on travaille près des composants électriques.</i>
	DANGER !	<i>Ne pas travailler sous la machine soulevée, sans des supports fixes de sécurité convenables.</i>
	DANGER !	<i>Ne pas opérer avec cette machine en présence de poudres, liquides ou vapeurs nuisibles, dangereux, inflammables et / ou explosifs.</i>
	DANGER !	<i>En chargeant les batteries, un gaz hydrogène très explosif est produit. Garder le groupe réservoirs ouvert pendant le cycle de rechargement des batteries et effectuer l'opération exclusivement dans un endroit bien aéré et loin de flammes libres.</i>
	ATTENTION !	<i>Avant d'utiliser le chargeur de batterie, s'assurer que la fréquence et la tension indiquées sur la plaque avec numéro de série de la machine coïncident avec la tension du réseau.</i>
	ATTENTION !	<i>Ne pas utiliser le câble du chargeur de batterie pour tirer ou transporter la machine et ne pas utiliser le câble comme poignée. Ne pas fermer de porte sur le câble du chargeur de batterie, ne pas tirer le câble sur des surfaces ou coins tranchants. Ne pas faire passer la machine sur le câble du chargeur de batterie. Tenir le câble du chargeur de batterie loin des surfaces chaudes.</i>
	ATTENTION !	<i>Si le câble du chargeur de batterie ou la fiche sont endommagés, ne pas charger les batteries de la machine. Si la machine ne fonctionne pas correctement, si elle est endommagée, laissée à l'extérieur ou tombée dans l'eau, la porter auprès d'un Service après-vente autorisé.</i>
	ATTENTION !	<i>Pour réduire le risque d'incendie, de chocs électriques ou de blessures, ne pas laisser la machine sans surveillance lorsqu'elle est branchée au réseau électrique. Débrancher le câble du chargeur de batterie du réseau électrique avant d'effectuer toute opération d'entretien.</i>
	ATTENTION !	<i>Ne pas fumer pendant le chargement des batteries.</i>
	ATTENTION !	<i>Protéger toujours la machine du soleil, de la pluie et d'autres intempéries, pendant le fonctionnement et en état d'arrêt. Garder la machine dans un endroit couvert.</i>
	ATTENTION !	<i>Ne pas laisser que la machine est utilisée comme jouet. Faire attention lorsque la machine est utilisée à proximité des enfants.</i>
	ATTENTION !	<i>Ne pas utiliser à des fins autres que celles prévues dans ce manuel. Utiliser seulement les accessoires recommandés par Clarke.</i>
	ATTENTION !	<i>Prendre les précautions convenables afin que les cheveux, les bijoux, les parties non adhérentes des vêtements ne soient pas capturés par les parties en mouvement de la machine.</i>
	ATTENTION !	<i>Avant de laisser la machine sans surveillance, veiller à ce qu'elle ne puisse pas bouger de façon autonome.</i>
	ATTENTION !	<i>Ne pas utiliser la machine sur des surfaces ayant une pente supérieure aux valeurs spécifiées.</i>
	ATTENTION !	<i>Ne pas utiliser la machine dans des endroits très poussiéreux.</i>
	ATTENTION !	<i>Pendant l'utilisation de la machine, faire attention à sauvegarder l'intégrité des autres personnes.</i>

-  **ATTENTION !** *Ne pas heurter contre des étagères ou des échafaudages, en particulier en cas de danger de chute d'objets.*
-  **ATTENTION !** *Ne pas poser de conteneurs de liquides sur la machine.*
-  **ATTENTION !** *La température de travail de la machine doit être comprise entre +32°F et +104°F (entre 0°C et +40°C).*
-  **ATTENTION !** *La température de stockage de la machine doit être comprise entre +32°F et +104°F (entre 0°C et +40°C).*
-  **ATTENTION !** *L'humidité doit être comprise entre 30 % et 95 %.*
-  **ATTENTION !** *Ne pas utiliser la machine comme moyen de transport.*
-  **ATTENTION !** *Ne pas utiliser la machine sur des rampes ou sur des inclinaisons supérieures à 2%.*
-  **ATTENTION !** *Ne pas faire travailler les brosses lorsque la machine est arrêtée pour ne pas endommager le sol.*
-  **ATTENTION !** *En cas d'incendie, il est préférable d'utiliser un extincteur à poudre, plutôt qu'un extincteur à eau.*
-  **ATTENTION !** *Ne pas altérer pour aucune raison les protections prévues pour la machine, respecter scrupuleusement les instructions prévues pour l'entretien ordinaire.*
-  **ATTENTION !** *Ne pas laisser entrer d'objets dans les ouvertures. Ne pas utiliser la machine si les ouvertures sont obstruées. Garder les ouvertures de la machine libres de poussière, filasse, poils et tout autre corps étranger à même de réduire le flux d'air.*
-  **ATTENTION !** *Ne pas enlever ou altérer les plaques installées sur la machine.*
-  **ATTENTION !** *En conditions d'emploi conformes aux indications d'utilisation correcte, les vibrations ne provoquent pas de situations de danger. Le niveau de vibrations de la machine est inférieur à 98,42 in/s [2,5 m/s² (98/37/EEC-EN 1033/1995)].*
-  **ATTENTION !** *La machine n'est pas approuvée pour l'utilisation sur les rues publiques.*
-  **ATTENTION !** *Faire attention pendant les déplacements de la machine en conditions de températures inférieures au point de congélation. L'eau présente dans le réservoir d'eau de récupération ou dans les tuyaux pourrait se congeler et endommager sérieusement la machine.*
-  **ATTENTION !** *Utiliser exclusivement les brosses et les disques livrés avec la machine et spécifiées dans le manuel d'utilisation. L'utilisation d'autres brosses ou disques peut compromettre la sécurité.*
-  **ATTENTION !** *S'assurer que les éventuelles anomalies de fonctionnement de la machine ne dépendent pas du manque d'entretien. Dans le cas contraire, demander l'intervention du personnel autorisé ou d'un Service après-vente autorisé.*
-  **ATTENTION !** *En cas de remplacement de pièces, demander les pièces de rechange D'ORIGINE à un concessionnaire ou revendeur autorisé.*
-  **ATTENTION !** *Afin de garantir la sécurité et le bon fonctionnement de la machine, faire effectuer les opérations d'entretien prévues au chapitre spécifique de ce manuel par du personnel autorisé ou par un Service après-vente autorisé.*
-  **ATTENTION !** *Avant d'effectuer toute opération d'entretien / réparation, lire attentivement toutes les instructions qui concernent l'entretien / réparation.*
-  **ATTENTION !** *Ne pas laver la machine avec des jets d'eau directs ou sous pression ou avec des substances corrosives.*
-  **ATTENTION !** *Lors de la mise en décharge, la machine ne doit pas être abandonnée par la présence de matériaux toxiques (batteries, etc.), sujets à des lois qui prévoient l'élimination auprès de centres spéciaux (voir le chapitre Mise en décharge).*

INTRODUCTION

Les versions FOCUS II de l'autolaveuse Clarke sont efficaces et garantissent une haute qualité de nettoyage. Le modèle FOCUS II L17 utilise une brosse tournante pour nettoyer une bande de 17,0 in (430 mm) de largeur. Le modèle FOCUS II S20 et FOCUS II L20 utilise une brosse tournante pour nettoyer une bande de 20 in (508 mm) de largeur. Le modèle FOCUS II L20 Cyl. utilise 2 brosses cylindriques tournants pour nettoyer une bande de 20 in (508 mm) de largeur. Le modèle FOCUS II BOOST L20 utilise une brosse rectangulaire à système orbital pour nettoyer une bande de 20 in (508 mm) de largeur.

Un embouchure arrière essuie le sol et un aspirateur en récupère l'eau de lavage, le tout en une seule passe.

CONSERVATION DU MANUEL

Le Manuel d'utilisation doit être gardé près de la machine, dans une enveloppe spéciale et, surtout, loin de liquides et de tout ce qui pourrait compromettre l'état de lisibilité.

DONNEES D'IDENTIFICATION

Le modèle et le numéro de série de la machine sont indiqués sur la plaque. (AI, Fig. 2 - page 73).

L'année de fabrication de la machine est indiquée par les deux premiers chiffres du numéro de série de la machine.

Ces informations sont nécessaires lors de la commande des pièces de rechange de la machine. Utiliser l'espace ci-dessous pour y noter les données d'identification de la machine pour toute référence future.

Modèle de la MACHINE

Numéro de série de la MACHINE

MODIFICATIONS ET AMELIORATIONS

Clarke vise à un constant perfectionnement de ses produits et se réserve le droit d'effectuer des modifications et des améliorations, lorsqu'elles sont nécessaires, sans l'obligation de modifier les machines précédemment vendues.

Il est entendu que toute modification et / ou addition d'accessoires doit toujours être approuvée et réalisée par Clarke.

DEBALLAGE

Pour déballer la machine, suivre attentivement les instructions sur l'emballage.

Lors de la livraison de la machine, contrôler attentivement que l'emballage et la machine n'ont pas été endommagés pendant le transport. Si les dommages sont évidents, garder l'emballage de façon qu'il puisse être examiné par le transporteur qui l'a livré. Le contacter immédiatement pour remplir une demande de dommages-intérêts.

Contrôler que les composants suivants sont livrés avec la machine :

1. Documentation technique :
 - Manuel d'utilisation de l'autolaveuse
 - Manuel du chargeur de batterie électronique
2. N° 2 fusibles lamellaires

CARACTERISTIQUES TECHNIQUES

Modèle	FOCUS II L17	FOCUS II S20	FOCUS II L20	FOCUS II L20 Cyl.	FOCUS II BOOST® L20
Tension de fonctionnement	24 V DC				
Batteries standard (2)	12 V - 130 Ah@20h se mouiller				
Batteries Option (2)	12V 114 Ah@20hr classement AGM				
Moteur système de traction	0.3 hp (200 W)	—	0.3 hp (200 W)		
Vitesse de traction (variable)	de 0 à 3.5 mph (de 0 à 5.6 km/h)	Déterminée par la rotation de la brosse		de 0 à 3.5 mph (de 0 à 5.6 km/h)	
Système de protection batteries	Coupure à basse tension brosse et solution				
Puissance moteur d'aspiration	0.5 hp, 2-temps tangentiel discharge				
Dépression d'aspiration	41.5 in H ₂ O (1.055 mm H ₂ O)				
Réservoir solution / eau propre Réservoir eau de récupération	14.5 US gal (55 litres)				
Flux de solution (min / max)	0 - 0.63 gal/min (0 - 2.4 L/min)			0 - 0.3 gal/min (0 - 0.75 L/min)	
Largeur embouchure	29.9 in. (760 mm)				
Largeur de nettoyage	16.9 in. (430 mm)	20 in. (508 mm)			
Puissance moteur brosse	0.7 hp (480 W)			(2) @ 0.4 hp (300 W) ea	0.75 hp (560 W)
Dimensions brosse cylindrique (diamètre x longueur)	—	—	—	4.3 x 19.1 in. (110 x 485 mm)	—
BOOST® Taille disque	—	—	—	—	14 x 20 in. (457 x 508 mm)
Vitesse de rotation brosses	153 tr/min			570 tr/min	2250 tr/min
Pression brosses	45 et 90 lbs (20 and 41 kg)			58.4 lbs (26.5 kg)	40 et 75 lbs (18 et 34 kg)
Pression au sol roues avant	116 psi (0.8 N/mm ²)				
Pression au sol roues arrière	884.7 psi (6.1 N/mm ²)	406.1 psi (2.8 N/mm ²)	884.7 psi (6.1 N/mm ²)		
Chargeur de batterie à bord	Standard				
Pente maximum franchissable	2%				
Longueur machine	52,1 in. (1.323 mm)			49.3 in. (1.253 mm)	51 in. (1.295 mm)
Largeur machine sans embouchure	21,3 in. (541 mm)			22.7 in. (575,5 mm)	20.8 in. (528 mm)
Hauteur machine	42,8 in (1.088 mm)				
Poids sans batteries et avec réservoirs vides	209.4 lbs (95 kg)	191.8 lbs (87 kg)	209.4 lbs (95 kg)	231.5 lbs (105 kg)	203 lbs (92 kg)
Poids avec batteries et réservoirs pleins	531.3 lbs (241 kg)	515.9 lbs (234 kg)	531.3 lbs (241 kg)	553.4 lbs (251 kg)	525 lbs (238 kg)
Niveau acoustique	65.8 dB(A)				
Dimensions logement batteries	13.8 x 13.8 x 11.8 in. (350 x 350 x 300 mm) (largeur x longueur x hauteur)				

PROCEDURES POUR LE TRANSPORT

Procédure de chargement et de déchargement de la machine d'un fourgon ou d'un camion

⚠ ATTENTION !

La machine est lourde. Le déplacement de la machine doit être effectué par du personnel expérimenté. Le déplacement de la machine sur des rampes ou des pentes doit être effectué par deux personnes expérimentées. La déplacer toujours lentement. Ne pas tourner la machine sur les rampes. Ne pas laisser la machine arrêtée sans surveillance sur les rampes ou les pentes. Les rampes de chargement doivent avoir au moins 40 in (1 m) de largeur.

1. Contrôler que la rampe de chargement a une longueur maximum de 8 ft (2,5 m), une largeur minimum de 40 in (1 m) et une épaisseur adéquate pour supporter le poids de la machine et des personnes qui la déplacent.
2. Contrôler que la rampe est sèche et propre.
3. Positionner la rampe correctement.
4. Avant de charger la machine, enlever l'embouchure et la brosse / plateau support disque. Clarke conseille de vider les réservoirs de solution et d'eau de récupération avant de charger la machine.

Procédure de fixation de la machine dans le moyen de transport

5. Clarke conseille de fixer la machine à l'aide de courroies pendant le transport.

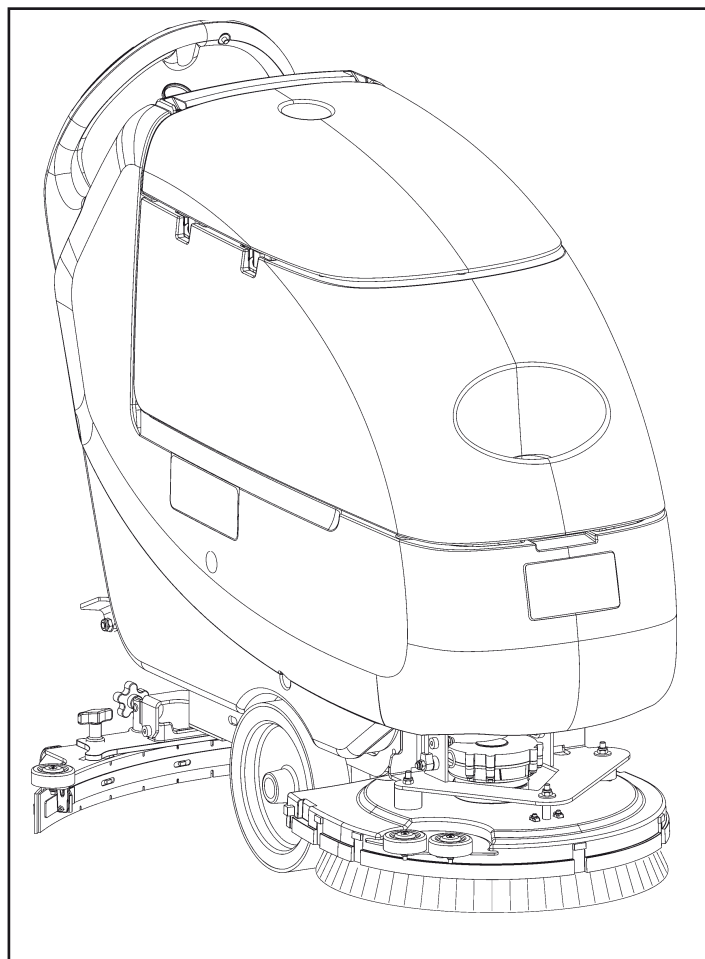


Figure 1

SYMBOLES UTILISES SUR LA MACHINE



ATTENTION !

Avant d'effectuer toute activité d'entretien / réparation, lire attentivement toutes les instructions qui concernent la machine.



ATTENTION !

Ne pas laver la machine avec des jets d'eau directs ou sous pression.



ATTENTION !

Ne pas utiliser la machine sur des rampes ayant une pente supérieure au minimum indiqué.

DESCRIPTION DE LA MACHINE

STRUCTURE EXTERNE ET INTERNE

(voir Fig. 2)

- A. Tableau de bord
 - B. Guidon
 - C. Boutons-poussoirs de rotation brosses / de commande marche avant (*) Boutons-poussoirs de rotation brosses (***)
 - D. Régulateur de vitesse de marche (*)
 - E. Hublot de lecture données chargeur de batterie
 - F. Câble chargeur de batterie
 - G. Support câble chargeur de batterie
 - H. Goulotte de remplissage arrière solution / eau propre
 - I. Bouton-poussoir marche arrière
 - J. Levier de soulèvement / abaissement embouchure
 - K. Pédale de soulèvement / abaissement tête
 - K1. Pédale en position de tête soulevée
 - K2. Pédale en position de tête baissée
 - K3. Commande extra-pression (optionnelle) (***)
 - L. Connecteur (rouge) de branchement batteries. Ce connecteur a aussi la fonction de bouton-poussoir d'URGENCE, pour l'arrêt immédiat de toutes les fonctions.
 - M. Roue arrière pivotante
 - N. Roues avant sur essieu fixe. Roues de traction (*)
 - O. Tuyau d'aspiration embouchure
 - P. Tuyau de vidange eau de récupération
 - Q. Tuyau de niveau et de vidange solution / eau propre avec repères
 - R. Tête porte-brosses avec une brosse / plateau support disque
 - S. Tête porte-brosses avec deux brosses cylindriques
 - T. Brosses / plateaux support disque
 - U. Réservoir solution / eau propre
 - V. Réservoir eau de récupération
 - W. Couvercle réservoir eau de récupération
 - X. Porte-objets
 - Y. Electrovanne
 - Z. Embouchure
 - AA. Boutons de fixation embouchure
 - AB. Bouton de réglage équilibrage embouchure
 - AC. Pivot de réglage avance rectilinéaire machine
 - AD. Pivot de réglage vitesse d'avance machine (***)
 - AE. Couvercle réservoir eau de récupération (ouvert)
 - AF. Joint d'étanchéité couvercle réservoir
 - AG. Plaque mobile de retenue couvercle
 - AH. Plaque fixe de retenue couvercle (ne pas enlever !)
 - AI. Plaque avec numéro de série / données techniques
 - AJ. Orifice pour nettoyage tuyau d'aspiration embouchure
 - AK. Grille d'aspiration avec fermeture automatique à flotteur
 - AL. Goulotte de remplissage avant solution / eau propre
 - AM. Filtre à tamis (optionnel)
 - AN. Orifice de compensation
 - AO. Réservoir eau de récupération (ouvert)
 - AP. Bouchon tuyau de vidange eau de récupération
 - AQ. Câble de blocage réservoir soulevé
 - AR. Couvercle moteur système d'aspiration
 - AS. Filtre acoustique moteur système d'aspiration
 - AT. Réservoir détergent (**)
 - AU. Bouchon de remplissage réservoir détergent (**)
 - AV. Poignée réservoir détergent (**)
 - AW. Tuyau d'alimentation détergent aux brosses (**)
 - AX. Pompe détergent (**)
 - AY. Tuyau de connexion réservoir - pompe détergent (**)
 - AZ. Support pompe détergent (**)
 - BA. Batteries
 - BB. Bouchons batteries
 - BC. Filtre solution
 - BD. Robinet solution / eau propre
 - BE. Table de références dosages détergent (**)
 - BF. Schéma de branchement batteries
- (*) Seulement pour FOCUS II L17 - L20 - L20 Cyl. - BOOST L20
 (**) Seulement pour machines avec Chemical Mixing System (optionnel)
 (***) Seulement pour FOCUS II S20

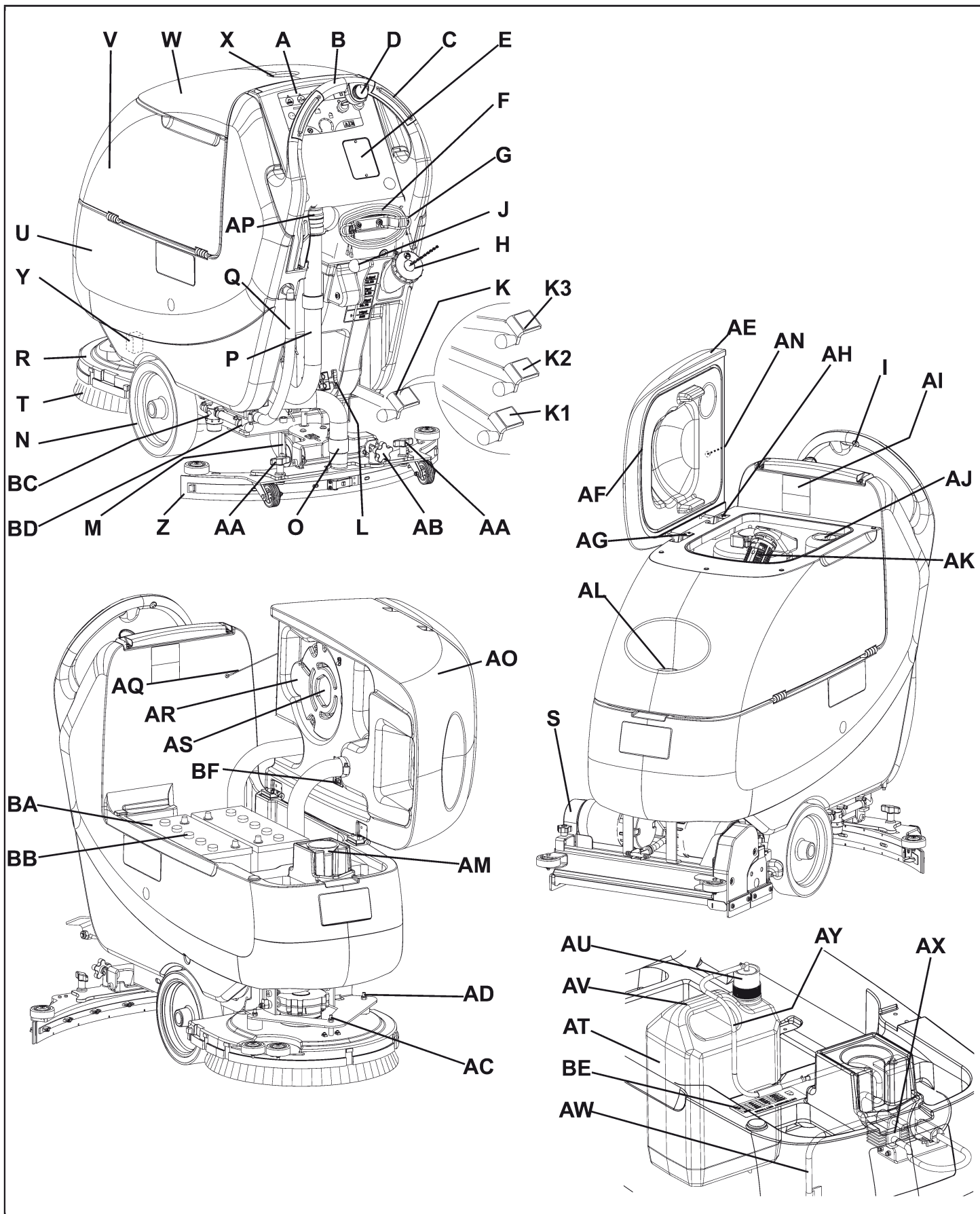


Figure 2

TABLEAU DE BORD

(voir Fig. 3)

- | | |
|---|---|
| <p>A. Bouton-poussoir de rotation brosses / disques et d'activation système d'aspiration</p> <p>B. Témoin lumineux bouton-poussoir de rotation brosses / disques et d'activation système d'aspiration</p> <p>C. Bouton-poussoir système d'aspiration</p> <p>D. Témoin lumineux bouton-poussoir système d'aspiration</p> <p>E. Bouton-poussoir de déclenchement brosses / plateaux support disque</p> <p>F. Témoin lumineux bouton-poussoir de déclenchement brosses / plateaux support disque</p> <p>G. Poignée de réglage flux de détergent à l'eau de lavage (optionnel)</p> <p>H. Bouton-poussoir marche arrière</p> <p>I. Compteur horaire (optionnel)</p> <p>J. Clé de contact (0 - I)</p> <p>K. Indicateur état de charge batteries</p> | <p>L. Témoin lumineux batteries chargées (vert)</p> <p>M. Témoin lumineux batteries demi-chargées (jaune)</p> <p>N. Témoin lumineux batteries déchargées (rouge)</p> <p>O. Boutons-poussoirs de réglage flux eau de lavage</p> <p>P. Bouton-poussoir d'augmentation flux</p> <p>Q. Bouton-poussoir de réduction flux</p> <p>R. Barre de visualisation flux eau de lavage</p> <p>S. Boutons-poussoirs de rotation brosses / de commande marche avant (*) Boutons-poussoirs de rotation brosses (***)</p> <p>T. Régulateur de vitesse de marche (*)</p> |
|---|---|
- (*) Seulement pour FOCUS II L17 - L20 - L20 Cyl. - BOOST L20
 (***) Seulement pour machines avec Chemical Mixing System (optionnel)
 (***) Seulement pour FOCUS II S20

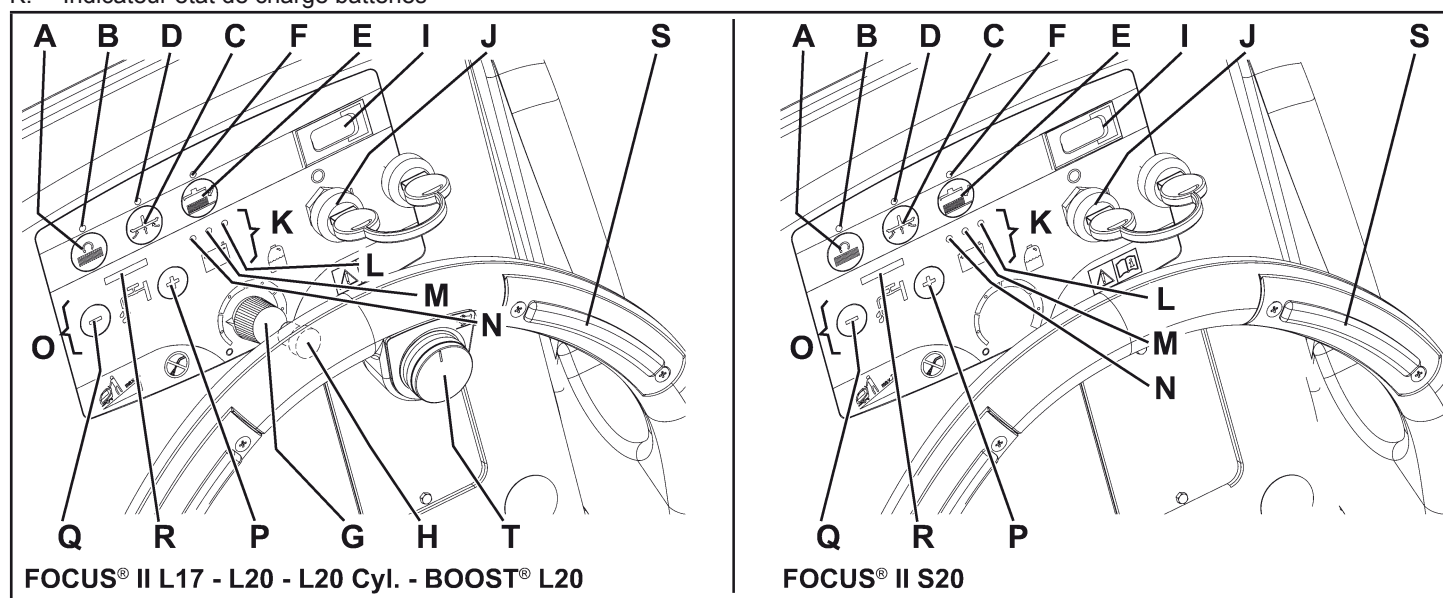


Figure 3

HUBLOT DE LECTURE DES DONNEES DU CHARGEUR DE BATTERIE

(voir Fig. 4)

- | | |
|---|---|
| <p>A. Chargeur de batterie électronique</p> <p>B. Sélecteur batteries au plomb (WET) ou au gel (GEL)</p> <p>C. Témoin lumineux vert (allumé : chargeur de batterie en fonction et batteries chargées)</p> | <p>D. Témoin lumineux jaune (allumé : chargeur de batterie en fonction et batteries demi-chargées)</p> <p>E. Témoin lumineux rouge (allumé : chargeur de batterie en fonction et chargement en cours)</p> |
|---|---|

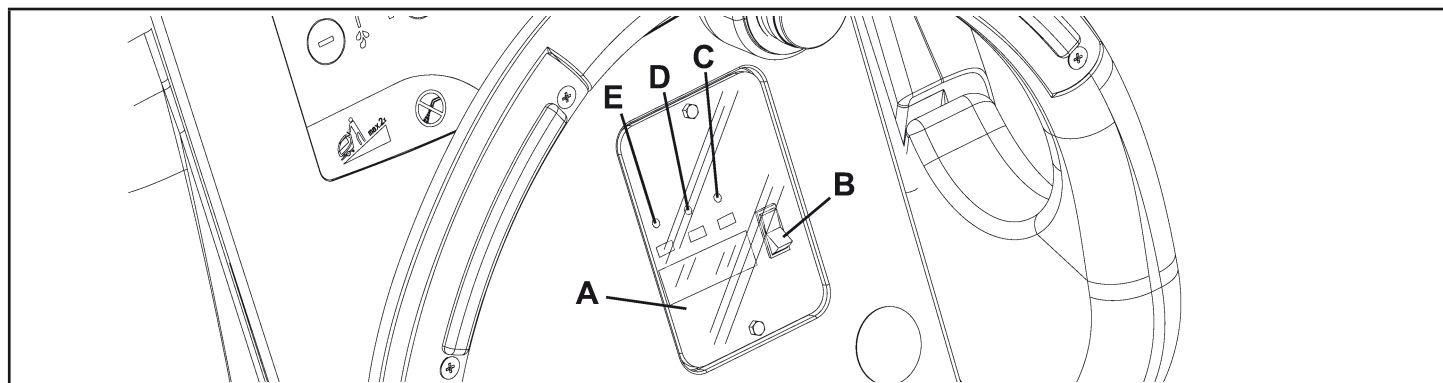


Figure 4

UTILISATION

! ATTENTION !

Des plaques adhésives appliquées sur certains points de la machine indiquent :

- DANGER
- ATTENTION
- AVERTISSEMENT
- CONSULTATION

Lors de la lecture de ce manuel, l'opérateur doit bien comprendre le sens des symboles illustrés sur les plaques.

Ne pas couvrir les plaques et les remplacer immédiatement en cas d'endommagement.

CONTROLE / PREPARATION DES BATTERIES SUR UNE MACHINE NEUVE

! ATTENTION !

Les composants électriques de la machine peuvent être sérieusement endommagés si les batteries ne sont pas installées et branchées correctement. Les batteries doivent être installées par du personnel qualifié. Configurer la carte électronique de fonctions et le chargeur de batterie selon le type de batteries utilisé (WET ou GEL).

Contrôler les batteries avant l'installation pour vérifier qu'elles ne sont pas endommagées.

Débrancher le connecteur (A, Fig. 5) des batteries ou la fiche du chargeur de batterie.

Déplacer les batteries avec attention.

Installer les protections des bornes des batteries équipées avec la machine.

La machine requiert deux batteries de 12 V, branchées selon le schéma (A, Fig. 6).

La machine peut être livrée selon une des configurations suivantes :

A) Batteries (WET ou GEL) installées dans la machine et prêtes à l'utilisation

1. Contrôler que les batteries sont branchées à la machine au moyen du connecteur (A, Fig. 5).
2. Introduire la clé de contact (B) et la tourner en position "I". Si le témoin lumineux vert (C) s'allume, les batteries sont prêtes à l'utilisation. Si le témoin lumineux jaune (D) ou le témoin lumineux rouge (E) s'allume, il est nécessaire de charger les batteries (voir la procédure au chapitre Entretien).

B) Sans batteries

1. Acheter des batteries adéquates (voir le paragraphe Caractéristiques techniques).
2. Pour le choix et l'installation, s'adresser à des revendeurs de batteries qualifiés.
3. Configurer la machine et le chargeur de batterie selon le type de batteries installé (WET ou GEL), en procédant comme indiqué au paragraphe suivant.

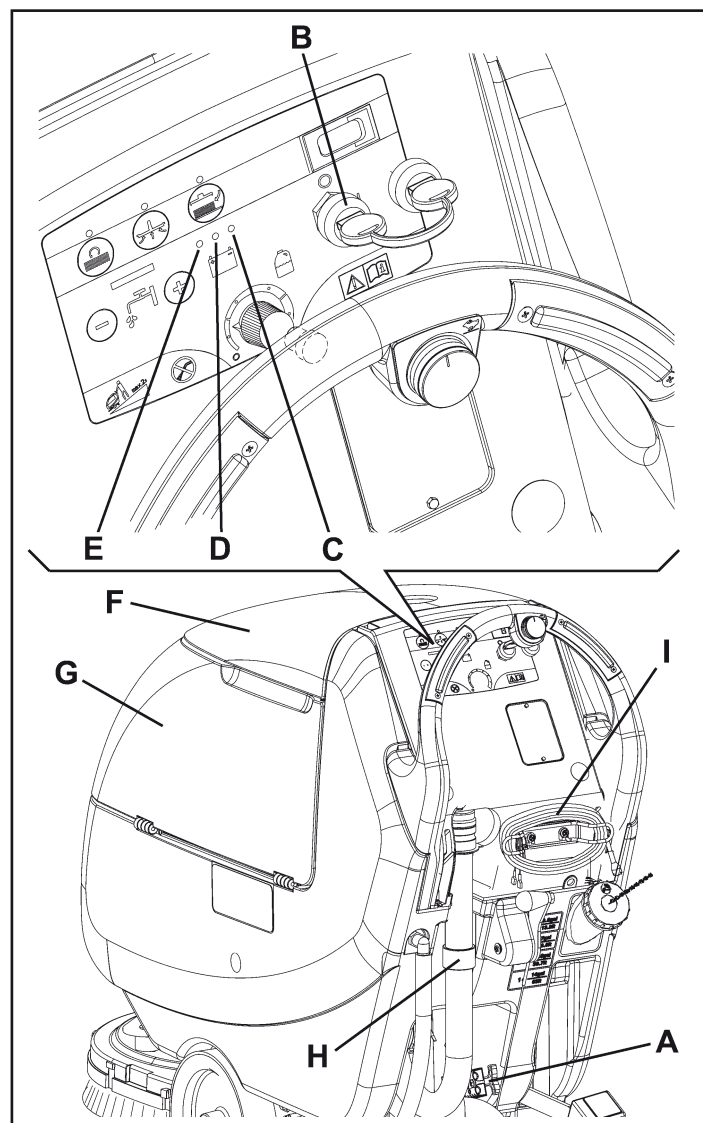


Figure 5

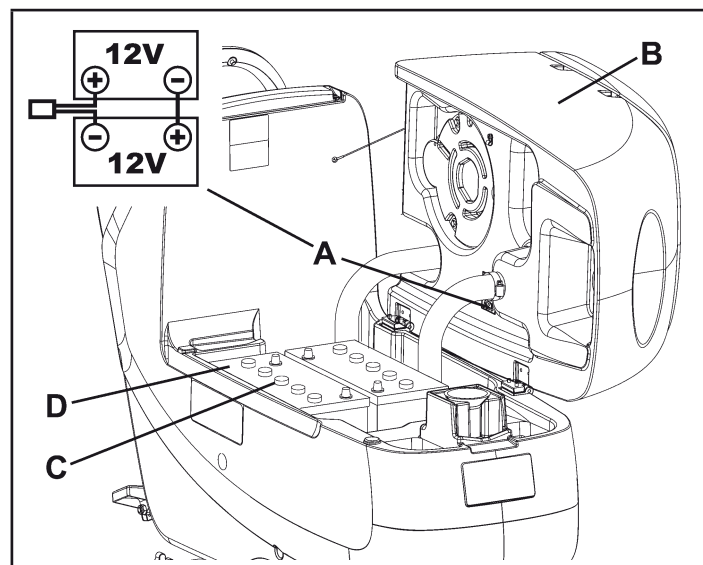


Figure 6

INSTALLATION DES BATTERIES ET CONFIGURATION SELON LE TYPE DE BATTERIES INSTALLE (WET OU GEL)

En fonction du type de batteries installées (WET ou GEL), configurer la carte électronique de la machine et le chargeur de batterie en procédant comme suit :

Configuration de la machine

1. Tourner la clé de contact (A, Fig. 7) en position "I" et remarquer ce qui se passe pendant les premières secondes de fonctionnement de la machine :
 - Si le témoin lumineux vert (B) clignote, la machine est configurée sur GEL.
 - Si le témoin lumineux rouge (C) clignote, la machine est configurée sur WET.
2. S'il est nécessaire de changer la configuration, procéder comme suit.
3. Arrêter la machine en tournant la clé de contact (A) sur "0".
4. Appuyer en même temps et maintenir appuyé les boutons-poussoirs (D) et (E), puis tourner la clé de contact (80) en position "I".
5. Continuez à appuyer ou presser sur les interrupteurs (D) et (E) jusqu'à ce que la lumière d'avertissement (B) ou (C) commence à clignoter.
6. Relâchez immédiatement les switches et appuyez sur l'interrupteur du milieu (E) pour basculer à une autre position. (Cela doit être fait lorsque le voyant clignote pour changer le réglage). Cycle l'interrupteur à clé pour vérifier.

Configuration du chargeur de batterie

7. Déposer les vis (F) de l'hublot de lecture des données du chargeur de batterie.
8. Déposer l'hublot (G).
9. Positionner le sélecteur (H) sur WET pour batteries au plomb ou sur GEL pour batteries au gel.
10. Installer l'hublot (G) et serrer les vis (F).

Installation des batteries

11. Ouvrir le couvercle (I) et vérifier que le réservoir d'eau de récupération (J) est vide. Dans le cas contraire, le vider au moyen du tuyau de vidange (K).
12. Soulever le réservoir (A, Fig. 8) avec soin.
13. Installer les batteries (B).

Chargement des batteries

14. Charger les batteries (voir la procédure au chapitre Entretien).

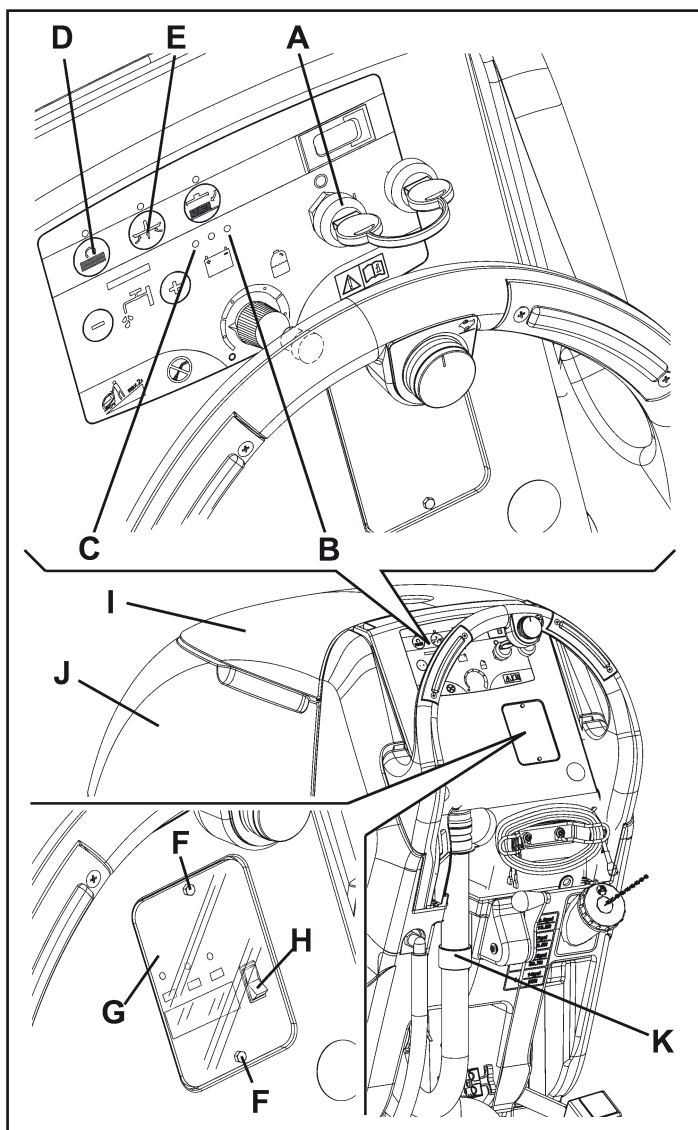


Figure 7

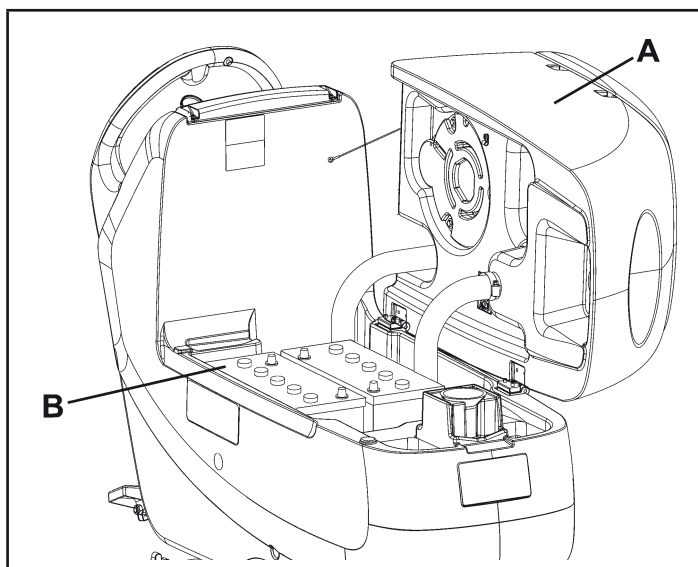


Figure 8

AVANT LA MISE EN MARCHÉ DE LA MACHINE

Installation / dépose de la tête porte-brosses / plateaux support disque ou des la tête porte-brosses cylindriques

Et la tête porte-brosses / plateaux support disque (A, Fig. 9) et la tête porte-brosses cylindriques (E) peuvent être facilement installées et déposées de la machine.

Pour l'installation et la dépose, voir la procédure au chapitre Entretien.

Installation / dépose des brosses / plateaux support disque

1. Sur la machine équipée de la tête spéciale, et les brosses (B) et les plateaux support disque (C) avec disques (D) peuvent être installés, en fonction du traitement à effectuer sur le sol.
2. Introduire la clé de contact (A, Fig. 10) et la tourner sur "I".
3. Porter au minimum le régulateur de vitesse (B), si équipé, en le tournant dans le sens contraire aux aiguilles d'une montre.
4. Positionner les brosses (B, Fig. 9) ou les plateaux support disque (C) sous la tête (A) de 17 in (430 mm) ou de 20 in (530 mm).
5. Baisser la tête sur les brosses / plateaux support disque en appuyant sur la pédale (C, Fig. 10).
6. Tourner la clé de contact (A) sur "I".
7. Appuyer sur le bouton-poussoir de rotation brosses / disques (D).
8. Appuyer sur un des boutons-poussoirs (E) pour accrocher les brosses / plateaux support disque, puis le relâcher. Si besoin est, répéter la procédure jusqu'à l'accrochage des brosses / plateaux support disque.



ATTENTION !

(Seulement pour FOCUS II L17, FOCUS II L20) : tourner le régulateur de vitesse (B, Fig. 10) dans le sens contraire aux aiguilles d'une montre pour réduire au minimum la vitesse de la machine.

Pour accrocher la brosse / plateau support disque, il suffit d'appuyer sur un des boutons-poussoirs (E) qui actionnent le moteur de la brosse / plateau support disque.

9. Pour déposer les brosses / plateaux support disque, il est nécessaire de soulever la tête en appuyant sur la pédale (C), puis appuyer sur le bouton-poussoir (F) et attendre jusqu'à ce que la brosse / plateau support disque tombe au sol. Tourner la clé de contact (A) sur "0".

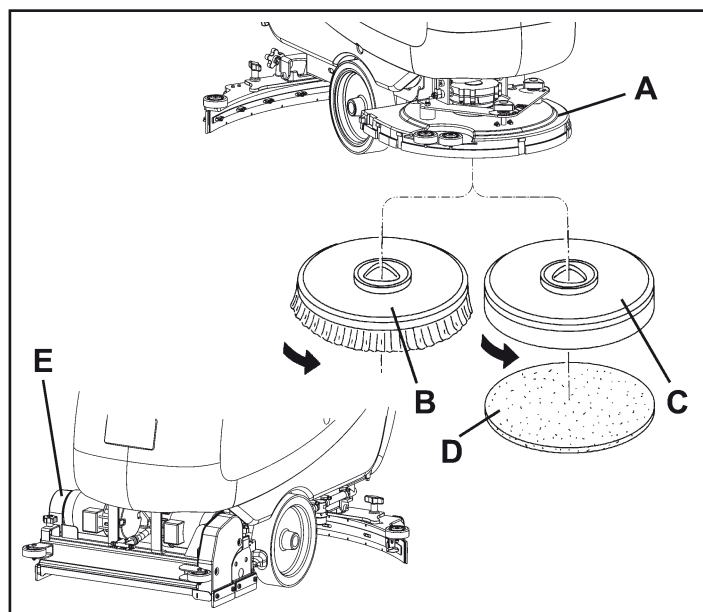


Figure 9

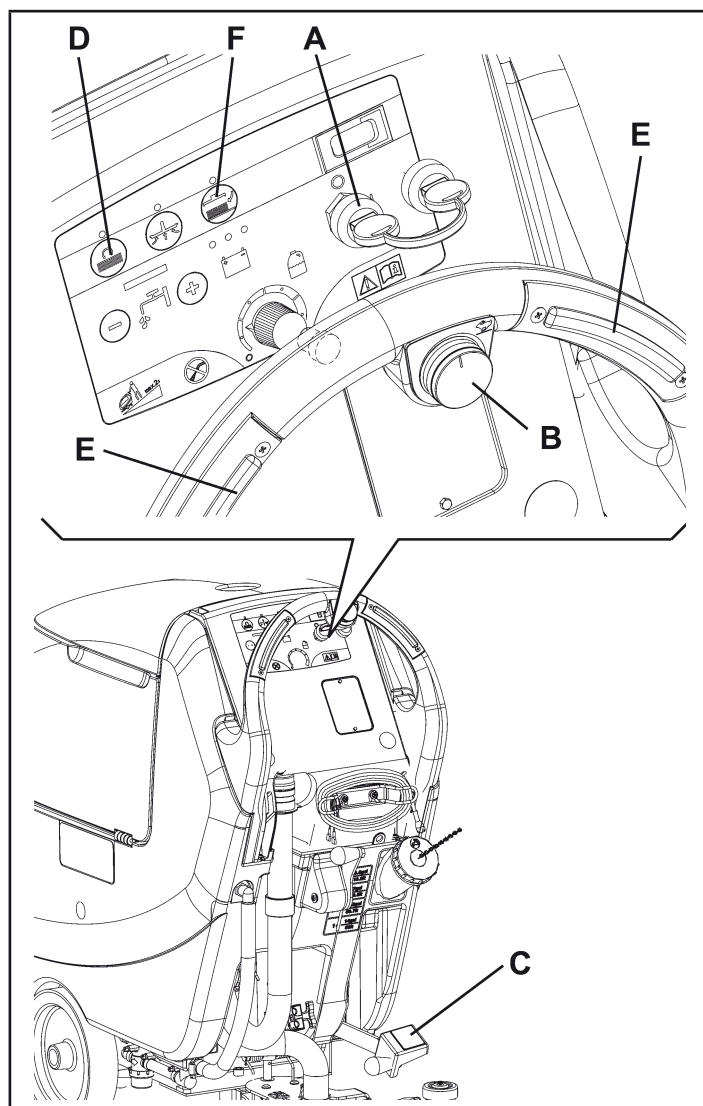


Figure 10

Types de brosses disponibles

Modèles de 17 in (430 mm)	Modèles de 20 in (508 mm)
Light Grit	Light Grit
Medium Grit	Medium Grit
Polypropylène	Polypropylène
Lite Poly	Lite Poly

Suggestions pour le choix des brosses / disques

Modèles	Light Grit	Medium Grit	Polypropylène	Lite Poly
Nettoyage général :				
Béton				
Terrazzo				
Carreaux de céramique / de carrière				
Marbre				
Carreaux de vinyle				
Carreaux de caoutchouc				

Installation / dépose des brosses cylindriques (seulement pour FOCUS II L20 Cyl.)

1. Tourner la clé de contact (A, Fig. 11) sur "0".
2. Soulever la tête porte-brosses cylindriques en appuyant sur la pédale (B).
3. Tourner les boutons (A, Fig. 12) et déposer les portillons (B) en les poussant vers le bas et en exerçant une pression sur les boutons.
4. Insérer les brosses cylindriques (C).
Les brosses cylindriques peuvent être installées soit d'un côté soit de l'autre.
5. Installer les portillons (B) et les fixer avec les boutons (A).
6. Pour déposer les brosses cylindriques, exécuter les étapes de 1 à 5 dans l'ordre inverse.

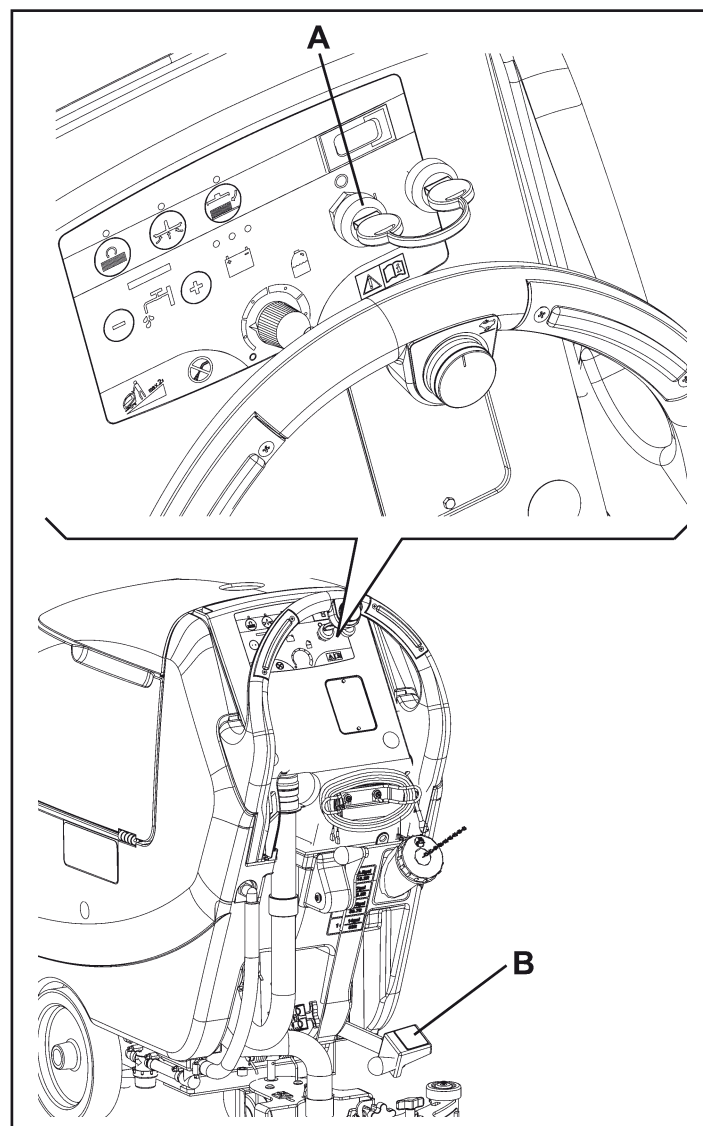


Figure 11

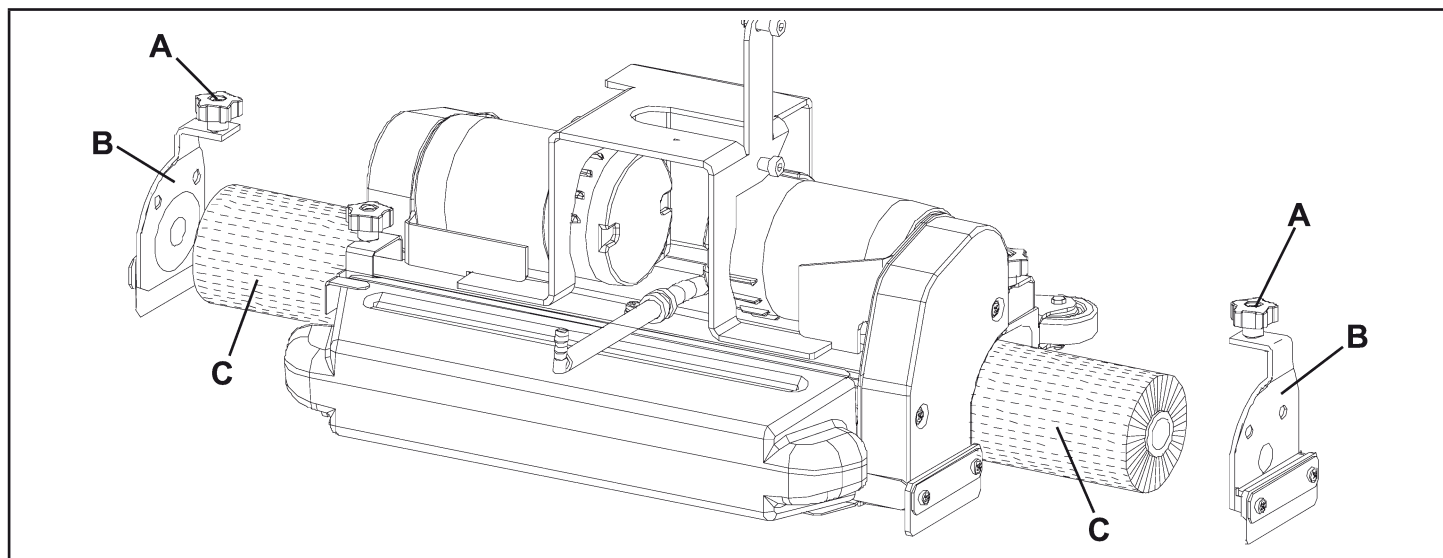


Figure 12

Types de brosses cylindriques disponibles

Modèles de 19,1 in (485 mm)
Poly Plus 0,40
Polypropylène 0,45
Medium Grit

Suggestions pour le choix des brosses cylindriques

Modèles	Polypropylène 0,40	Polypropylène	Medium Grit
Nettoyage général :			
Béton			
Terrazzo			
Carreaux de céramique / de carrière			
Marbre			
Carreaux de vinyle			
Carreaux de caoutchouc			

Installation de l'embouchure

1. Installer l'embouchure (A, Fig. 13) et la fixer avec les boutons (B), puis connecter le tuyau d'aspiration (C) à l'embouchure.
2. Au moyen du bouton (D) régler l'embouchure de façon que la lamelle en caoutchouc arrière touche le sol pour toute sa longueur.

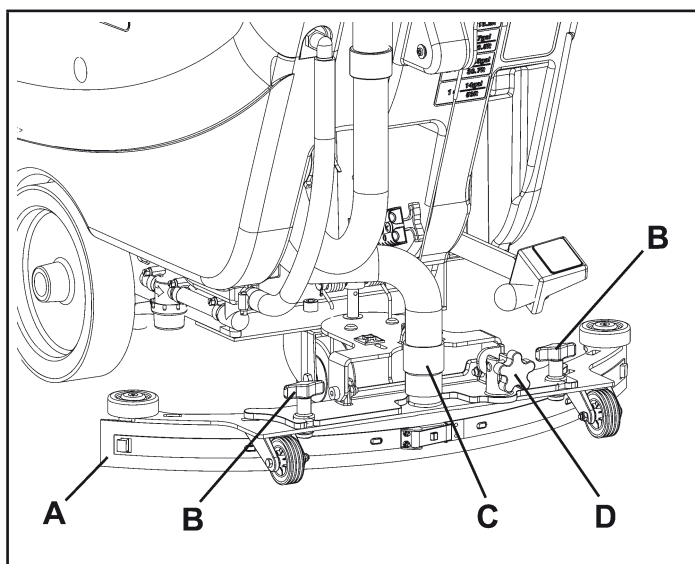


Figure 13

Accouplement des embouchures avec les têtes porte-brosses / plateaux support disque et tête avec deux brosses cylindriques

Modèle tête	Modèle embouchure
Tête avec une brosse, diamètre brosse : 17 in (430 mm)	Aluminium (A, Fig 13), largeur 29,9 in (760 mm)
Tête avec une brosse, diamètre brosse : 20 in (508 mm)	
Tête avec deux brosses cylindriques, longueur brosse : 19,1 in (485 mm)	
Tête avec une brosse rectangulaire, largeur brosse : 20 in (508 mm)	

Remplissage du réservoir de solution ou d'eau de lavage

i REMARQUE

Si la machine est équipée avec le Chemical Mixing System (optionnel), verser de l'eau propre ou de la solution dans le réservoir.

- Ouvrir la goulotte (A, Fig. 14).
- (Pour machines sans Chemical Mixing System)**
Au moyen de la goulotte avant (B) ou de la goulotte arrière (C), remplir le réservoir (D) avec une solution adéquate au travail à effectuer.
Remplir jusqu'au repère "1" du tuyau de niveau (H).
Suivre toujours les instructions de dilution sur l'étiquette du conteneur du produit chimique utilisé pour la solution.
La température de la solution ne doit jamais être supérieure à 104°F (40°C).

! ATTENTION !

Utiliser exclusivement des détergents liquides peu mousseux et non inflammables, adéquats pour les machines utilisées.

- (Pour machines avec Chemical Mixing System)**
Remplir le réservoir (D) avec de l'eau propre au moyen de la goulotte (B) ou de la goulotte arrière (C).
Remplir jusqu'au repère "1" du tuyau de niveau (H).
La température de l'eau ne doit jamais être supérieure à 104°F (40°C).

Remplissage du réservoir du détergent (pour machines avec Chemical Mixing System)

- Ouvrir le couvercle (E) et vérifier que le réservoir d'eau de récupération (F) est vide. Dans le cas contraire, le vider au moyen du tuyau de vidange (G).
- Soulever le réservoir (A, Fig. 15) avec soin.
- Ouvrir le bouchon (B).
- Remplacer ou remplir le récipient avec un conteneur standard de gallons de solution adéquat au travail à effectuer (détergent à haute concentration).
Ne jamais remplir complètement le réservoir du détergent, mais laisser toujours quelques centimètres du bord.

! ATTENTION !

Utiliser exclusivement des détergents liquides peu mousseux et non inflammables, adéquats pour les machines utilisées.

i REMARQUE

*Pour installer le nouveau conteneur, vérifier les dimensions du bouchon et, s'il s'agit du bouchon plus petit, enlever le réducteur du bouchon (B) du tuyau. Insérer le tuyau d'aspiration dans le récipient (C). Appuyer fermement sur le bouchon (B) et le tourner en même temps pour le positionner à nouveau sur le récipient (C).
S'il s'agit d'un nouveau système, si le système a été vidé pour le nettoyage, etc, attendre jusqu'à ce que le remplissage par les tuyaux soit terminé avant d'actionner le Chemical Mixing System.*

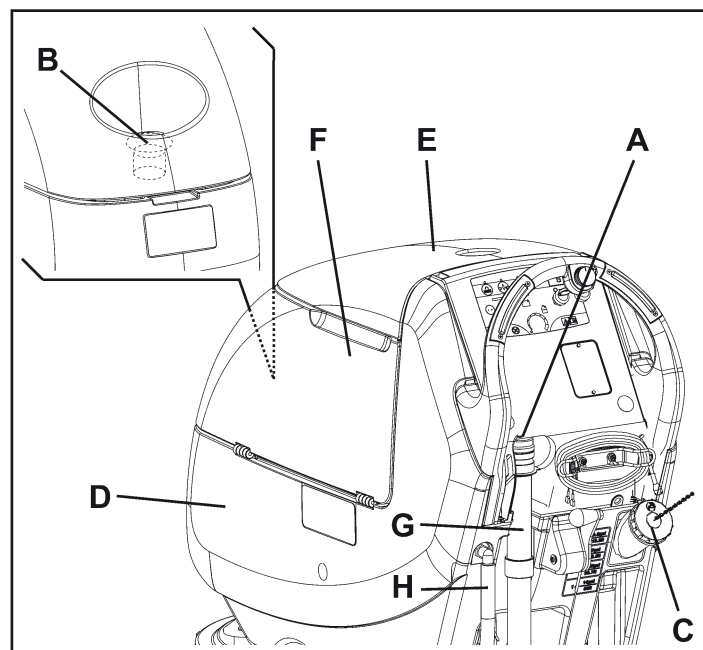


Figure 14

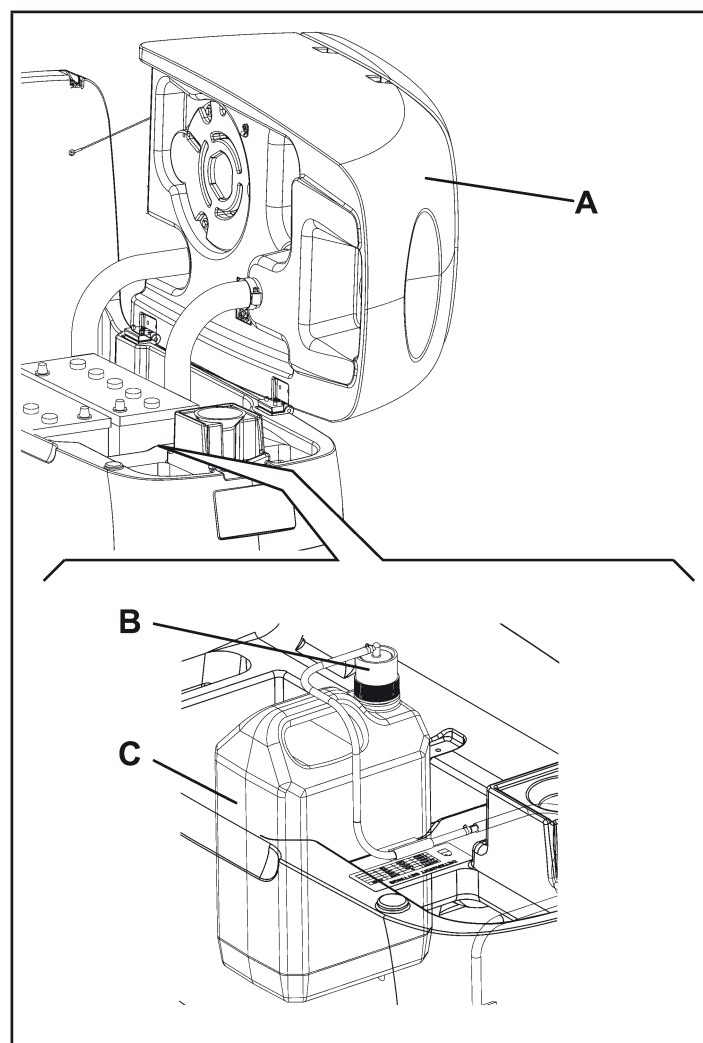


Figure 15

MISE EN MARCHÉ ET ARRÉT DE LA MACHINE

Mise en marche de la machine

1. Préparer la machine comme prévu au paragraphe précédent.
2. Introduire la clé de contact (A, Fig. 16) et la tourner en position "I".
Vérifier que le témoin lumineux vert (B) est allumé (batterie chargée).
Dans le cas où le témoin lumineux jaune (C) ou rouge (D) s'allume, positionner la clé de contact à nouveau sur "0", puis charger les batteries (voir la procédure au chapitre Entretien).
3. Se porter sur le lieu de travail :
 - en poussant la machine les mains sur le guidon (E) (seulement pour **FOCUS II S20**).
 - en démarrant la machine les mains sur le guidon (E) et en appuyant sur au moins un des boutons-poussoirs (F) pour la marche avant, ou sur un des boutons-poussoirs (F) et en même temps sur le bouton-poussoir (G) pour la marche arrière (seulement pour **FOCUS II L17, FOCUS II L20, FOCUS II L20 Cyl., BOOST L20**).

La vitesse d'avance maximum peut être réglée au moyen du régulateur (H).
4. Baisser l'embouchure (I) au moyen du levier (J).
5. Baisser la tête porte-brosses / plateaux support disque (K) en appuyant sur la pédale (L).
6. Appuyer sur le bouton-poussoir de rotation brosses / disques (M) et d'activation système d'aspiration (N).
7. Activer les boutons-poussoirs de réglage du flux de l'eau de lavage (O) selon le besoin et en fonction du nettoyage à effectuer.
8. Commencer le travail de nettoyage :
 - (seulement pour **FOCUS II S20**) en poussant la machine les mains sur le guidon (E) et en appuyant sur au moins un des boutons-poussoirs (F).
 - (seulement pour **FOCUS II L17, FOCUS II L20, FOCUS II L20 Cyl., BOOST L20**) en démarrant la machine les mains sur le guidon (E) et en appuyant sur au moins un des boutons-poussoirs (F). Si besoin est, régler la vitesse d'avance au moyen du régulateur (H).



REMARQUE

Pour l'avance de la machine, on peut appuyer sur n'importe quel des boutons-poussoirs (F) (droit ou gauche) ou sur les deux en même temps.

Arrêt de la machine

9. Arrêter la machine au moyen du guidon (E) (seulement pour **FOCUS II S20**).
Arrêter la machine en relâchant les boutons-poussoirs (F) (seulement pour **FOCUS II L17, FOCUS II L20, FOCUS II L20 Cyl., BOOST L20**).
10. Arrêter les brosses et le système d'aspiration en appuyant sur le bouton-poussoir (M). Après quelques secondes, l'aspirateur aussi s'arrête.
11. Soulever la tête porte-brosses / plateaux support disque (K) en appuyant sur la pédale (L).
12. Soulever l'embouchure (I) au moyen du levier (J).
13. Tourner la clé de contact (A) sur "0".
14. Veiller à ce que la machine ne puisse pas bouger de façon autonome.

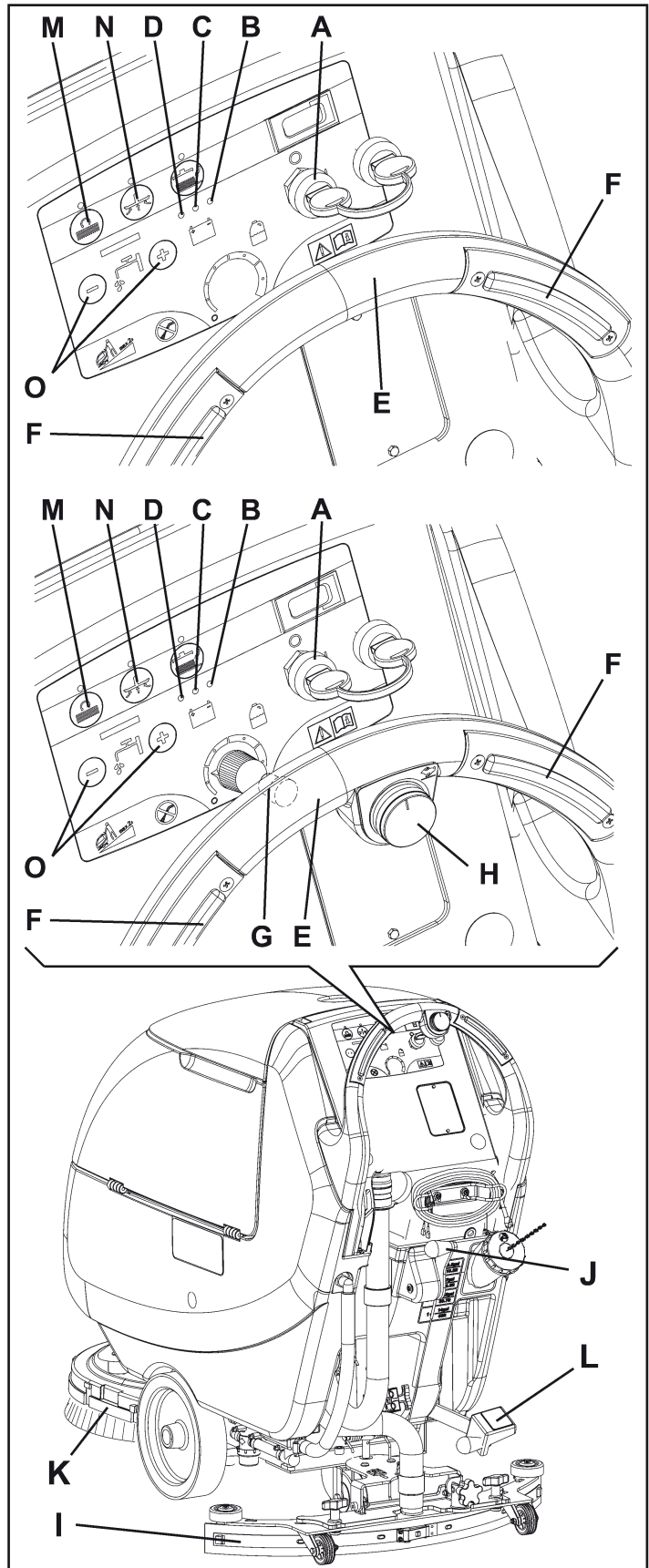


Figure 16

MACHINE AU TRAVAIL (LAVAGE / SECHAGE)

1. Démarrer la machine comme prévu au paragraphe précédent.
2. Si besoin est, activer les boutons-poussoirs de réglage du flux de l'eau de lavage (A et B, Fig. 17) selon le besoin et en fonction du nettoyage à effectuer.
3. Si besoin est, arrêter la machine et tourner le bouton de réglage de l'embouchure (C) de façon que la lamelle en caoutchouc arrière (D) touche le sol pour toute sa longueur.

Commandes de traction de la machine



AVERTISSEMENT !

Les opérations doivent être effectuées par du personnel qualifié ou par le personnel Clarke.

La vitesse de traction et l'avance rectilinéaire de la machine peuvent varier en fonction du type de sol à nettoyer et du choix d'utiliser la brosse ou le plateau support disque.

Il est possible de les régler au moyen de deux vis (B et D, Fig. 18) positionnées sur la plaque de la brosse, en procédant comme suit :

- en desserrant l'écrou (A) et en tournant la vis de réglage (B) dans le sens contraire aux aiguilles d'une montre, la machine tend à bouger à gauche ; en la tournant dans le sens des aiguilles d'une montre, la machine tend à bouger à droite ;
- (seulement pour **FOCUS II S20**) en desserrant l'écrou (C) et en tournant la vis de réglage (D) dans le sens contraire aux aiguilles d'une montre, la vitesse de la machine augmente ; en la tournant dans le sens des aiguilles d'une montre, la vitesse de la machine se réduit.

Une fois les opérations terminées, serrer les écrous correspondants (A et / ou C).

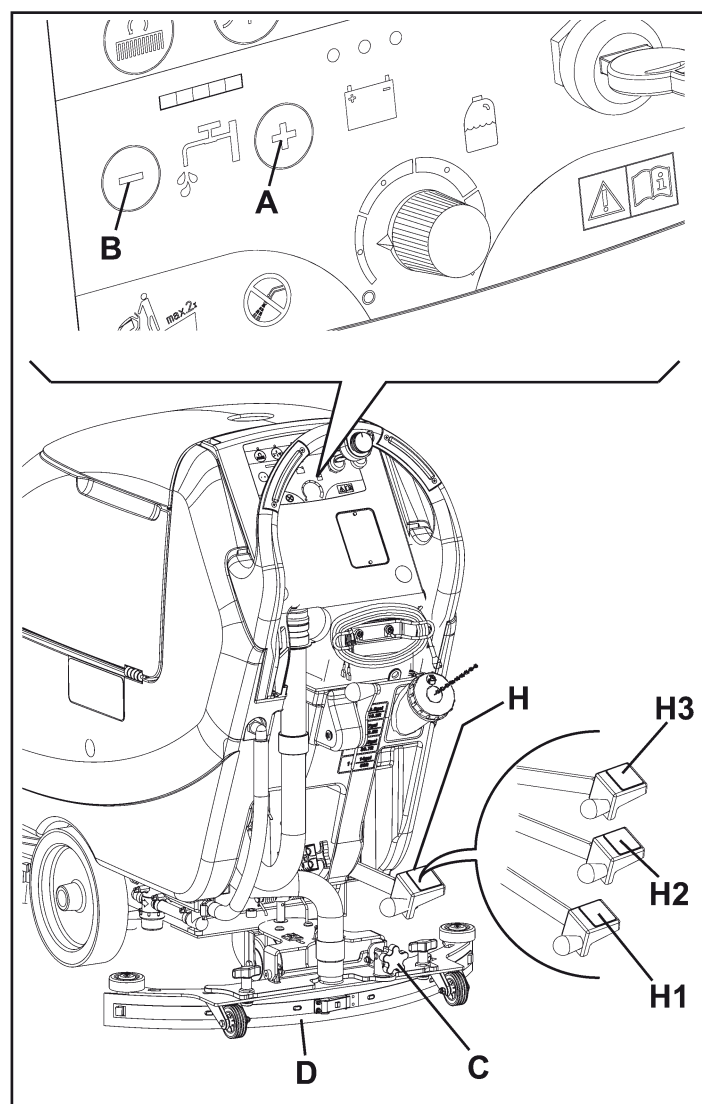


Figure 17

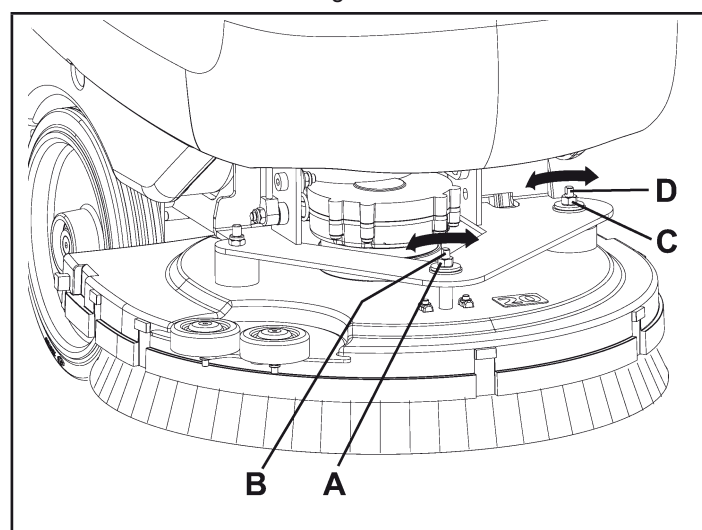


Figure 18



REMARQUE

Pour un lavage / séchage correct du sol près du mur, Clarke recommande d'approcher le côté droit de la machine (A et B, Fig. 19), comme illustré dans la figure.



AVERTISSEMENT !

Afin d'éviter d'endommager les sols à nettoyer, arrêter la rotation des brosses / plateaux support disque lorsque la machine est à l'arrêt, en particulier si l'on travaille avec la fonction d'extra-pression activée.

Réglage du flux de détergent à l'eau de lavage

(Pour machines avec Chemical Mixing System)

1. Tourner la poignée (A, Fig. 20) dans le sens des aiguilles d'une montre pour augmenter la concentration de détergent et la tourner dans le sens contraire aux aiguilles d'une montre pour réduire la concentration de détergent.
2. Les concentrations moyennes de détergent utilisé sont indiquées par les 4 zones de différentes couleurs (B) et correspondent aux valeurs indiquées dans la figure et sur la plaque adhésive à l'intérieur de la machine.
3. Tourner la poignée (A) complètement dans le sens contraire aux aiguilles d'une montre pour mettre à zéro la quantité de détergent.



REMARQUE

La concentration du détergent reste constante même si l'on modifie le flux de l'eau de lavage au moyen des boutons-poussoirs (C) ou (D).

Travail avec la fonction d'extra-pression des brosses / plateaux support disque

En cas de sol particulièrement sale, il est possible de travailler avec la fonction d'extra-pression des brosses / plateaux support disque au sol, en portant la pédale (E) dans la position (E3).



AVERTISSEMENT !

La fonction d'extra-pression ne peut pas être activée si la tête porte-brosses cylindriques (S, Fig. 2 - page 73) est installée.

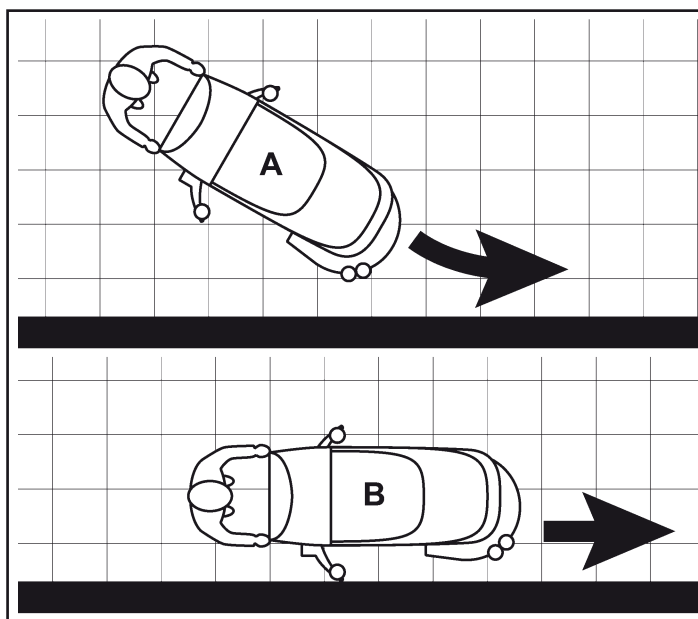


Figure 19

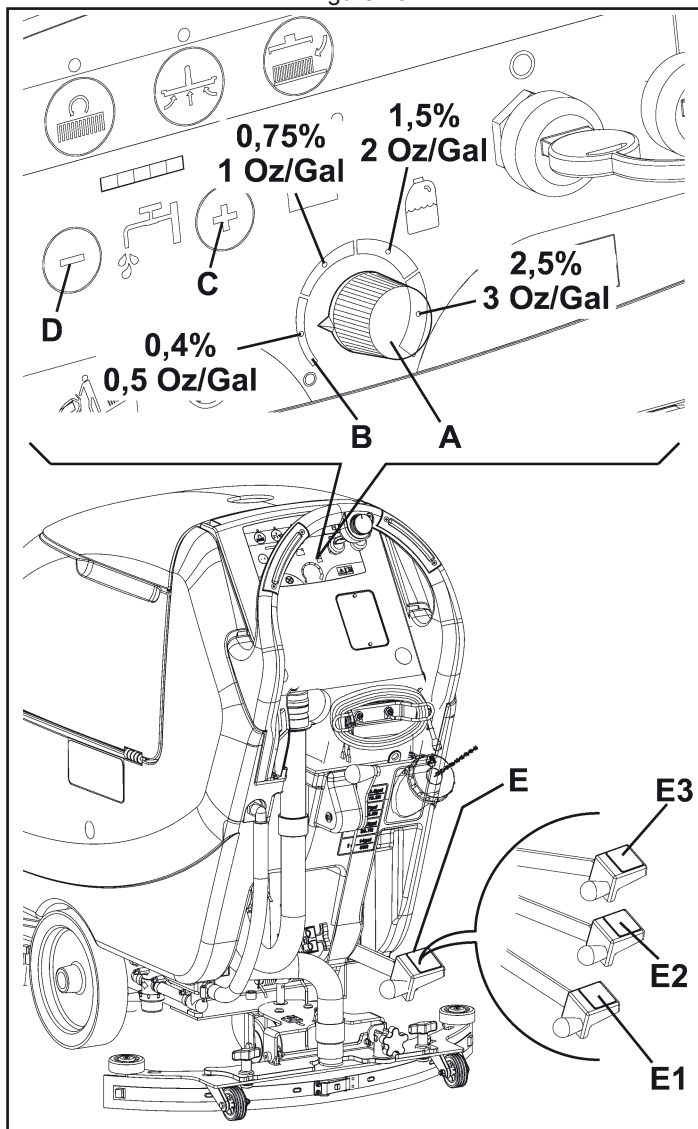


Figure 20

Déchargement des batteries pendant le travail

Tant que le témoin lumineux vert (A, Fig. 21) reste allumé, les batteries permettent le fonctionnement normal de la machine.

Lorsque le témoin lumineux vert (A) s'éteint et le témoin lumineux jaune (B) s'allume, procéder au rechargement des batteries, parce que l'autonomie résiduelle de fonctionnement de la machine n'est que de quelques minutes (variables en fonction des caractéristiques de la batterie utilisée et du nettoyage à effectuer).

Lorsque le témoin lumineux rouge (C) s'allume, l'autonomie est épuisée. Après quelques secondes, les brosses / plateaux support disque s'arrêtent automatiquement ; seulement le système d'aspiration (exclusivement pour **FOCUS II L17, FOCUS II L20, FOCUS II L20 Cyl., BOOST L20**) et le système de traction restent en fonction, pour permettre d'essuyer des endroits éventuels de sol mouillé et d'amener la machine dans le lieu de rechargement.

⚠ AVERTISSEMENT !

Pour ne pas endommager les batteries et réduire leur vie utile, ne pas insister à utiliser la machine avec les batteries déchargées.

VIDANGE DES RESERVOIRS

Un système de fermeture automatique à flotteur (A, Fig. 22) bloque le système d'aspiration lorsque le réservoir d'eau de récupération (B) est plein.

Le blocage du système d'aspiration peut être détecté grâce à l'augmentation soudaine de la fréquence du bruit du moteur d'aspiration ; en outre, le système d'aspiration ne sèche pas le sol.

⚠ AVERTISSEMENT !

Si le système d'aspiration s'arrête pour causes accidentelles (par exemple pour l'intervention prématurée du flotteur pendant un déplacement soudain de la machine), pour le démarrer, arrêter le système en appuyant sur le bouton-poussoir (D, Fig. 19), puis ouvrir le couvercle (C, Fig. 22) et vérifier que le flotteur dans la grille (A) est au niveau de l'eau ; enfin, fermer le couvercle (C) et appuyer sur le bouton-poussoir (D, Fig. 19).

Lorsque le réservoir d'eau de récupération (B, Fig. 21) est plein, le vider en procédant comme suit.

Vidange du réservoir d'eau de récupération

1. Arrêter la machine.
2. Soulever la tête porte-brosses / plateaux support disque (E, Fig. 21) en appuyant sur la pédale (F).
3. Soulever l'embouchure (G) au moyen du levier (H).
4. Amener la machine dans la zone destinée à l'écoulement.
5. Vider le réservoir d'eau de récupération au moyen du tuyau flexible (I). Le travail effectué, rincer le réservoir (B, Fig. 22) à l'eau propre.

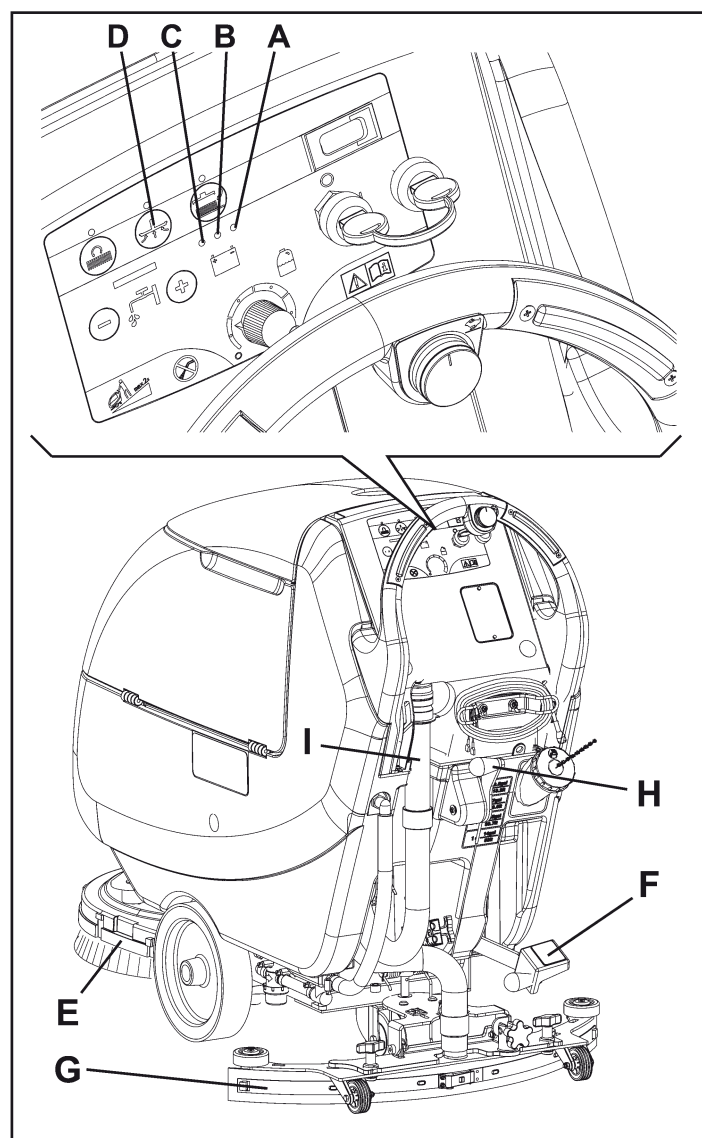


Figure 21

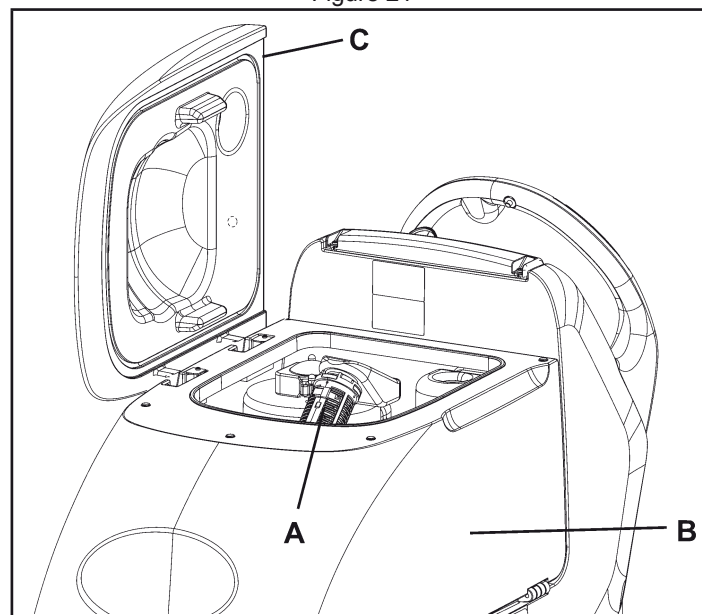


Figure 22

Vidange du réservoir de solution / eau propre

6. Exécuter les étapes de 1 à 4 ci-dessus.
7. Vider le réservoir de solution au moyen du tuyau (A, Fig. 23).
Le travail effectué, rincer le réservoir à l'eau propre.

Vidange du conteneur déchets des brosses cylindriques (seulement pour tête porte-brosses cylindriques)

8. Arrêter la machine.
9. Avec la tête porte-brosses cylindriques baissée, déposer le conteneur déchets (A, Fig. 24) en le tirant latéralement à l'aide de la poignée (B).
10. Vider et laver le conteneur (A), puis l'installer en engageant les dispositifs de retenue.

APRES L'UTILISATION DE LA MACHINE

Le travail effectué, avant de laisser la machine :

1. Déposer les brosses / plateaux support disque en procédant comme indiqué au paragraphe spécifique.
2. Vider les réservoirs (B et C, Fig. 23) et le conteneur déchets (A, Fig. 24) en procédant comme indiqué au paragraphe spécifique.
3. Effectuer les opérations d'entretien prévues après l'utilisation de la machine (voir le chapitre Entretien).
4. Garder la machine dans un endroit sec et propre, avec les brosses / plateaux support disque et l'embouchure déposés ou soulevés.

INACTIVITE PROLONGEE DE LA MACHINE

Si l'on prévoit de ne pas utiliser la machine pendant plus de 30 jours, il est convenable d'effectuer les opérations suivantes :

1. Effectuer les opérations décrites au paragraphe Après l'utilisation de la machine.
2. Débrancher le connecteur (D, Fig. 23) des batteries.

PREMIERE PERIODE D'UTILISATION

Après les 8 premières heures d'utilisation, contrôler le serrage des éléments de fixation et de connexion de la machine et vérifier que les parties visibles sont intactes et sans pertes.

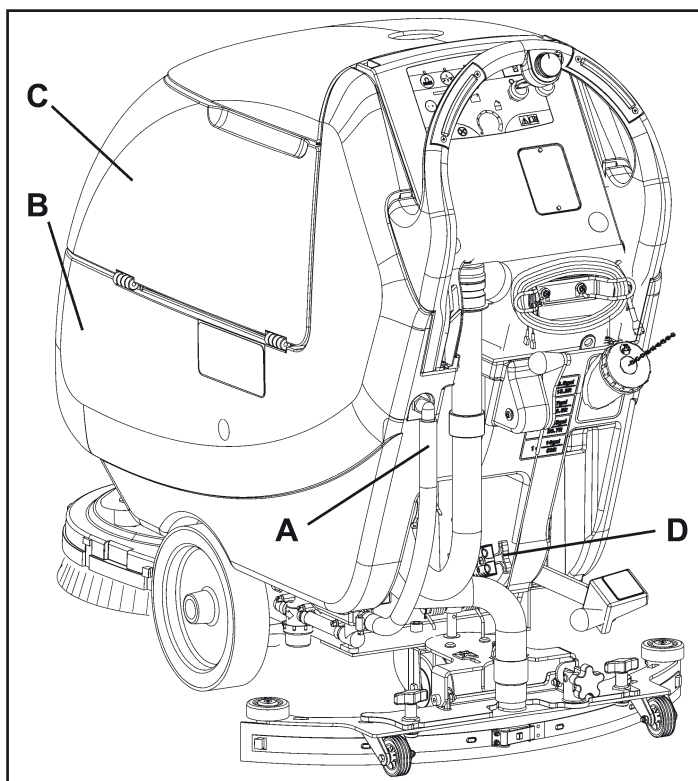


Figure 23

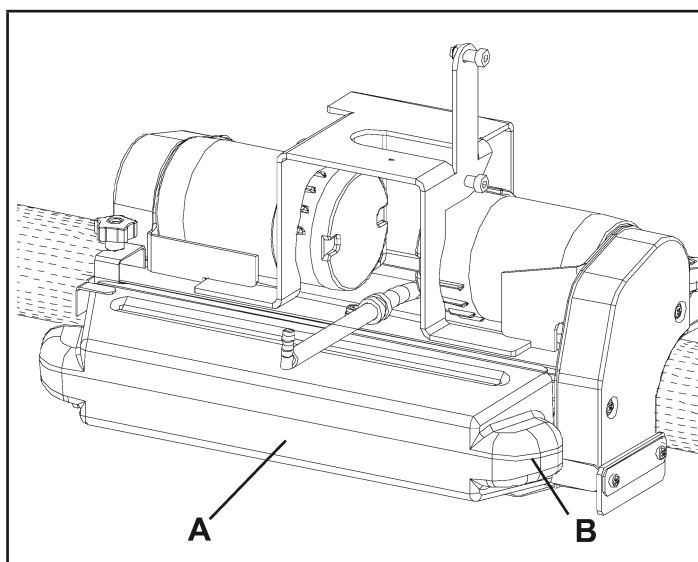


Figure 24

ENTRETIEN



ATTENTION !

La durée de vie de la machine et sa sécurité de fonctionnement sont garanties par un entretien soigné et régulier.



ATTENTION !

Toutes les opérations d'entretien programmé ou extraordinaire doivent être effectuées par du personnel qualifié ou par un Service après-vente autorisé.



ATTENTION !

*Les opérations doivent être effectuées avec la machine à l'arrêt et avec les batteries débranchées.
En outre, lire attentivement toutes les instructions du chapitre Sécurité avant d'effectuer les opérations d'entretien.*

Veuillez trouver ci-dessous le plan d'entretien programmé. Les périodicités indiquées peuvent subir des variations en fonction de conditions de travail particulières, à définir par le responsable de l'entretien.
Après le plan d'entretien programmé, ce manuel contient seulement les opérations d'entretien les plus simples et les plus récurrentes. Pour les procédures des autres opérations d'entretien prévues par le plan d'entretien programmé, se référer au manuel d'entretien consultable auprès des Services après-vente.

PLAN D'ENTRETIEN PROGRAMME

Procédure	Quotidienne ou après l'utilisation de la machine	Hebdomadaire	Semestrielle	Annuelle
Chargement des batteries				
Nettoyage de l'embouchure				
Nettoyage des brosses / disques				
Nettoyage des réservoirs, de la grille d'aspiration avec flotteur et contrôle du joint d'étanchéité du couvercle				
Contrôle et remplacement des lamelles en caoutchouc de l'embouchure				
Nettoyage du filtre de la solution / de l'eau propre				
Nettoyage du moteur du système d'aspiration				
Contrôle du niveau du liquide des batteries WET				
Contrôle du serrage des vis et des écrous			(1)	
Contrôle ou remplacement des charbons des moteurs des brosses / plateaux support disque				(2)
Contrôle ou remplacement des charbons du moteur du système d'aspiration				(2)
Contrôle ou remplacement des charbons du moteur du système de traction (seulement pour FOCUS II L17 , FOCUS II L20 , FOCUS II L20 Cyl. , BOOST L20)				(2)

(1) Et après les 8 premières heures de travail.

(2) Opération d'entretien de compétence d'un Service après vente autorisé Clarke.

NETTOYAGE DE L'EMBOUCHURE



REMARQUE

Pour un bon séchage, l'embouchure doit être propre et les lamelles en caoutchouc doivent être en bon état.



AVERTISSEMENT !

Lors du nettoyage de l'embouchure, il est conseillé de porter des gants de protection à cause de la présence éventuelle de débris tranchants.

1. Amener la machine sur un sol plat.
2. Tourner la clé de contact (A, Fig. 25) sur "0".
3. Baisser l'embouchure (B) au moyen du levier (C).
4. Desserrer les boutons (D) et déposer l'embouchure (B).
5. Déconnecter le tuyau d'aspiration (E) de l'embouchure.
6. Laver et nettoyer l'embouchure en acier ou en aluminium (Fig. 26). Nettoyer en particulier les compartiments (A) et l'orifice (B). Contrôler que la lamelle en caoutchouc avant (C) et la lamelle en caoutchouc arrière (D) sont intactes et qu'elles ne présentent pas de coupures ou déchirures ; dans le cas contraire, les remplacer (voir la procédure au paragraphe suivant).
7. Pour la repose, procéder dans l'ordre inverse de la dépose.

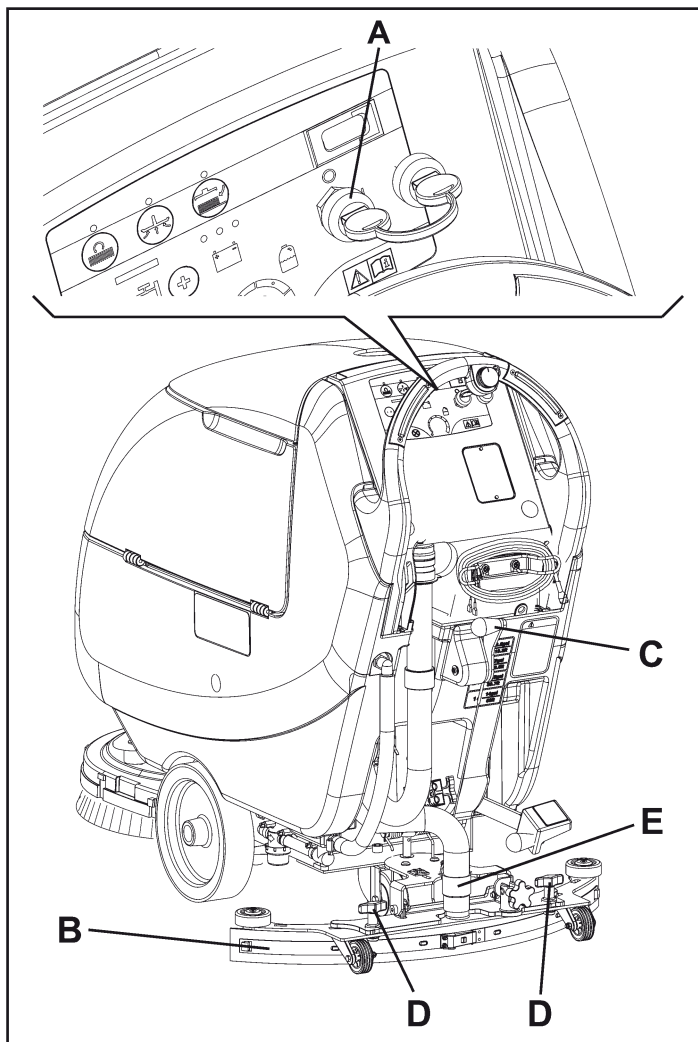


Figure 25

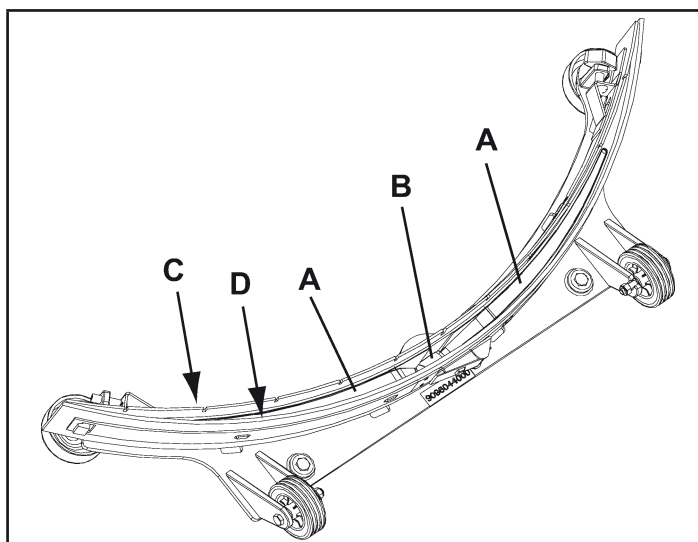


Figure 26

CONTROLE ET REMPLACEMENT DES LAMELLES EN CAOUTCHOUC DE L'EMBOUCHURE

- Nettoyer l'embouchure en acier ou en aluminium, en procédant comme indiqué au paragraphe précédent.
 - Contrôler que les bords (E, Fig. 28) de la lamelle en caoutchouc avant (C) et les bords (F) de la lamelle en caoutchouc arrière (D) se posent simultanément sur le marbre de contrôle, et en toute leur longueur ; dans le cas contraire, régler leur hauteur en procédant comme suit :
 - Dégager le tirant (G), décrocher les dispositifs de retenue (M) et régler la lamelle en caoutchouc arrière (D), puis accrocher les dispositifs de retenue (M) et engager le tirant (G).
 - Desserrer les boutons (I) et régler la lamelle en caoutchouc avant (C), puis serrer les boutons.
 - Contrôler que la lamelle en caoutchouc avant (C) et la lamelle en caoutchouc arrière (D) sont intactes et qu'elles ne présentent pas de coupures ou déchirures ; dans le cas contraire, les remplacer en procédant comme suit. Contrôler aussi que l'arête avant (J) de la lamelle en caoutchouc arrière (D) n'est pas usée ; dans le cas contraire, renverser la lamelle, en remplaçant l'arête usée avec l'arête qui est encore intacte. Si toutes les arêtes sont usées, remplacer la lamelle en caoutchouc en procédant comme suit :
 - Dégager le tirant (G), décrocher les dispositifs de retenue (M), déposer la bande de retenue (K) et remplacer / tourner la lamelle en caoutchouc arrière (D). Pour la repose, procéder dans l'ordre inverse de la dépose.
 - Dévisser les boutons (I) et déposer la bande de retenue (L), puis remplacer la lamelle en caoutchouc avant (C). Pour la repose, procéder dans l'ordre inverse de la dépose.
- Après le remplacement (ou renversement) des éléments en caoutchouc, régler leur hauteur comme décrit au point précédent.
- Connecter le tuyau d'aspiration (A, Fig. 27) à l'embouchure.
 - Reposer l'embouchure (B) et serrer les boutons (C).
 - Si besoin est, régler le bouton de réglage (D) de l'équilibrage de l'embouchure.

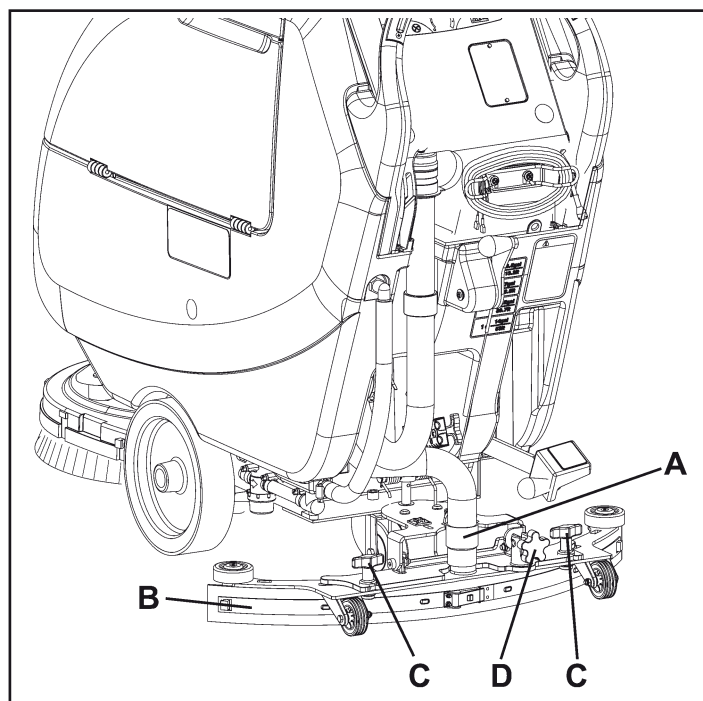


Figure 27

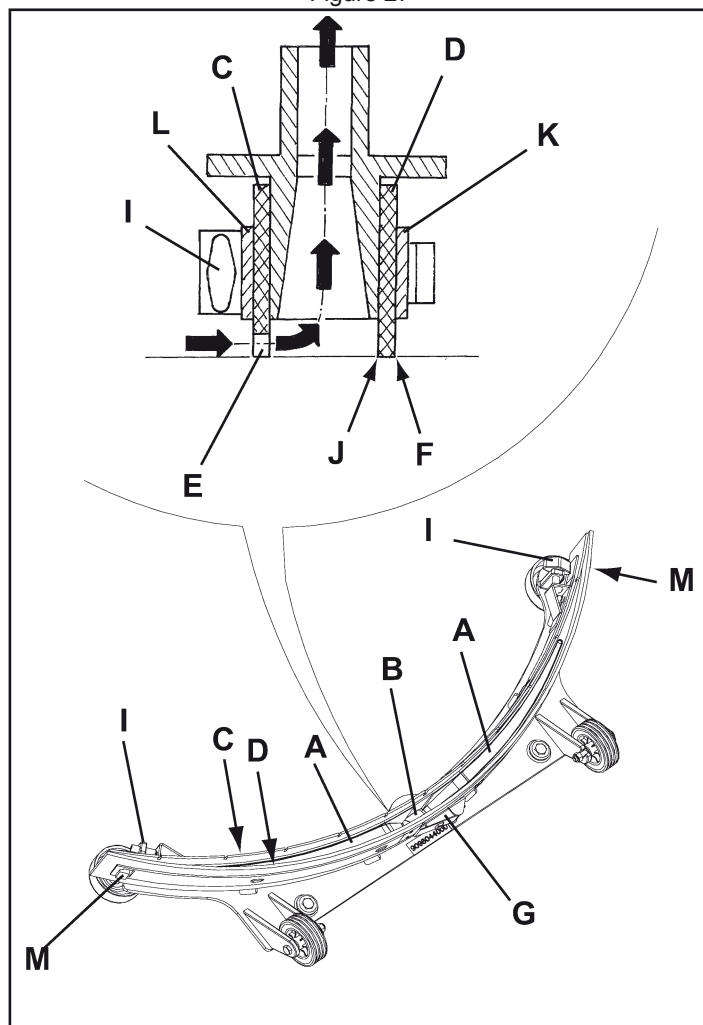


Figure 28

NETTOYAGE DES BROSSES / DISQUES



AVERTISSEMENT !

Lors du nettoyage de la brosse / disque, il est conseillé de porter des gants de protection à cause de la présence éventuelle de débris tranchants.

1. Déposer les brosses / disques de la machine comme décrit au chapitre Utilisation.
 2. Nettoyer et laver les brosses / disques avec de l'eau et de la solution.
 3. Contrôler que les brosses / disques sont intacts et non excessivement usés ; dans le cas contraire, les remplacer.
 4. Sur la tête porte-brosses cylindriques, déposer le conteneur déchets (A, Fig. 29) en le tirant latéralement à l'aide de la poignée (B).
- Vider et laver le conteneur (A), puis l'installer en engageant les dispositifs de retenue internes.

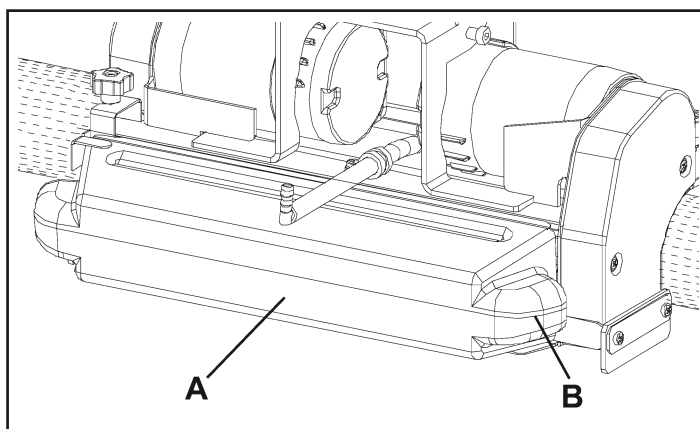


Figure 29

NETTOYAGE DU FILTRE DU MOTEUR DU SYSTEME D'ASPIRATION

1. Amener la machine sur un sol plat.
2. Tourner la clé de contact (A, Fig. 30) sur "0".
3. Soulever le réservoir d'eau de récupération (B).
4. Si besoin est, vider l'eau du réservoir au moyen du tuyau, de façon à contrôler le filtre.
5. Contrôler que le préfiltre (C) est propre. Si besoin est, le nettoyer à l'eau et à l'air comprimé, puis l'installer à nouveau.
6. Exécuter les étapes 1, 2 et 3 dans l'ordre inverse.

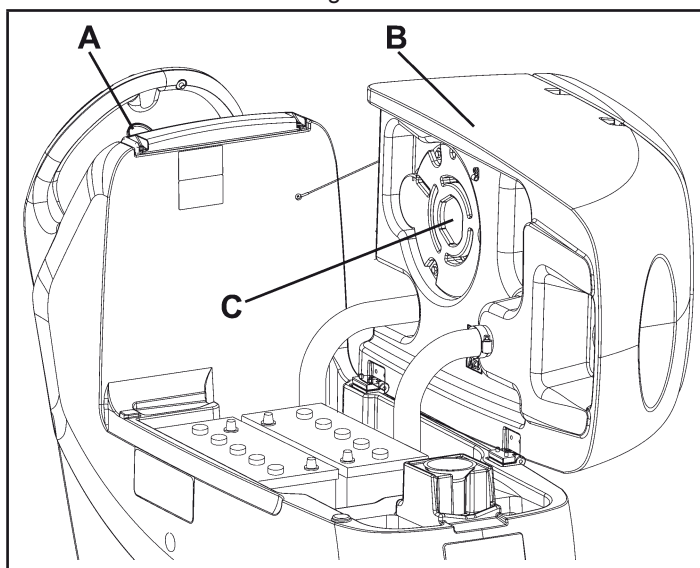


Figure 30

NETTOYAGE DU FILTRE DE LA SOLUTION / DE L'EAU PROPRE

1. Amener la machine sur un sol plat.
2. Tourner la clé de contact (A, Fig. 29) sur "0".
3. Fermer le robinet de la solution / eau propre (A, Fig. 31) situé dessous la machine, derrière la roue arrière droite. Le robinet (A) est fermé quand il se trouve dans la position (B) par rapport aux tuyaux ; il est ouvert quand il se trouve dans la position (C).
4. Déposer le couvercle transparent (D), puis déposer le filet filtrant (E). Les nettoyer et les reposer sur le support (F).



REMARQUE

Positionner correctement le filet filtrant (E) dans le logement (G) du support (F).

5. Ouvrir le robinet (A).

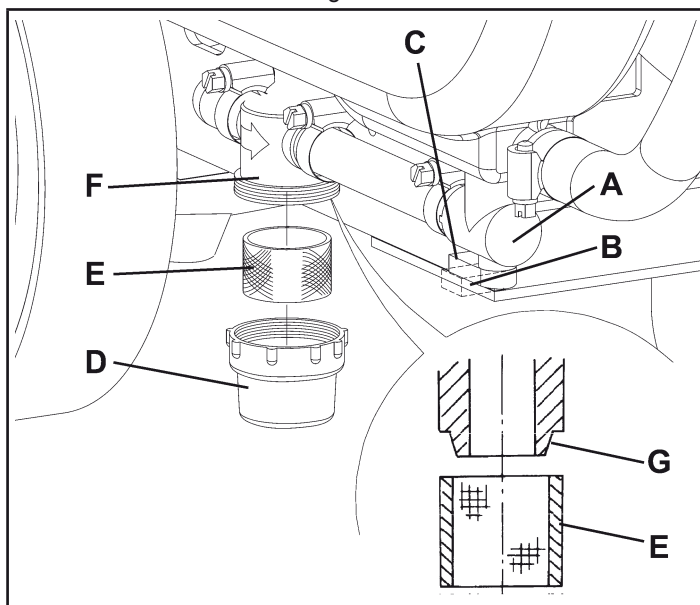


Figure 31

NETTOYAGE DES RÉSERVOIRS, DE LA GRILLE D'ASPIRATION AVEC FLOTTEUR ET CONTRÔLE DU JOINT D'ÉTANCHEITÉ DU COUVERCLE

1. Amener la machine dans la zone destinée à l'écoulement.
2. Tourner la clé de contact (A, Fig. 32) sur "0".
3. Ouvrir le couvercle (A, Fig. 33) et le porter dans la position de lavage (L).
4. Nettoyer et laver à l'eau propre le couvercle (A), les réservoirs (B et C) et la grille d'aspiration avec fermeture automatique à flotteur (D).
5. Vider l'eau des réservoirs à l'aide des tuyaux (B et C, Fig. 32).
Si besoin est, dégager les dispositifs de retenue (E, Fig. 33), ouvrir la grille (D), récupérer le flotteur (F) et nettoyer soigneusement; enfin reposer en place.
6. Contrôler l'intégrité du joint d'étanchéité (G) du couvercle du réservoir.

i REMARQUE

Le joint d'étanchéité (G) permet la création d'une dépression dans le réservoir, nécessaire à l'aspiration de l'eau de récupération.

Si besoin est, déposer le joint d'étanchéité (G) de son logement (H) et le remplacer. Lors de la pose du nouveau joint d'étanchéité, positionner le raccord (I) dans la zone centrale arrière indiquée dans la figure.

7. Contrôler aussi l'intégrité et l'efficacité de la surface d'appui (J) du joint d'étanchéité (G).

i REMARQUE

L'orifice (K), en permettant la compensation de l'air dans l'interstice du couvercle, contribue à la création d'une dépression dans le réservoir.

8. Fermer le couvercle (A).

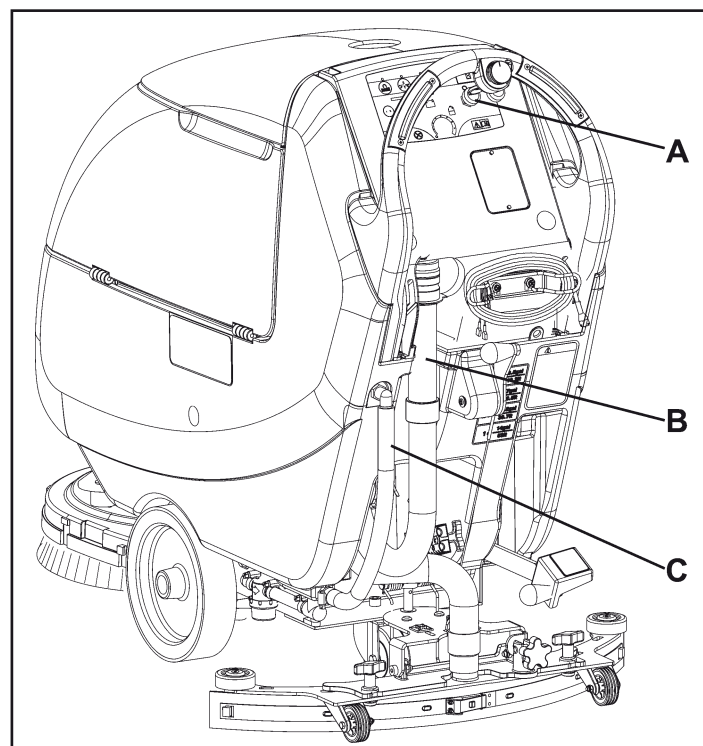


Figure 32

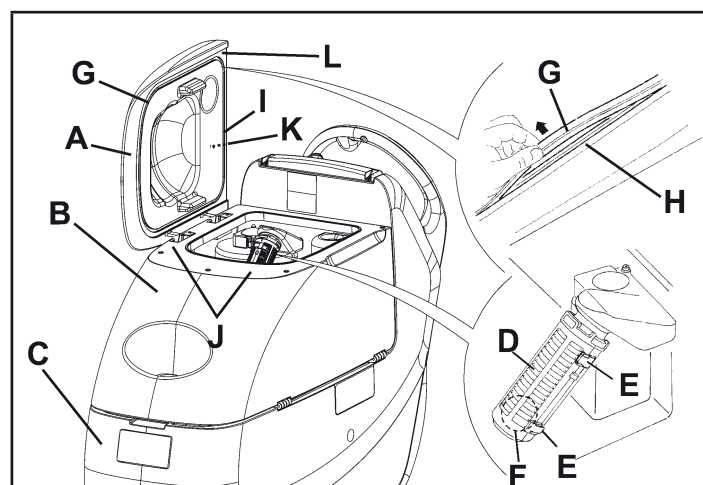


Figure 33

NETTOYAGE DU RESERVOIR DU DETERGENT

(Pour machines avec Chemical Mixing System)

Nettoyer le réservoir du détergent (C, Fig. 35) en procédant comme suit :

1. Amener la machine dans la zone destinée à l'écoulement.
2. Tourner la clé de contact (A, Fig. 34) sur "0".
3. Ouvrir le couvercle (B) et vérifier que le réservoir d'eau de récupération (C) est vide. Dans le cas contraire, le vider au moyen du tuyau de vidange (D). Fermer le couvercle (B).
4. Soulever le réservoir (C) avec soin.
5. Dévisser le bouchon (A, Fig. 35) et déconnecter le tuyau (B) du réservoir (C).
6. Déposer le réservoir.
7. Laver et nettoyer le réservoir dans la zone destinée à l'écoulement.
8. Reposer le réservoir (C) et le connecter au tuyau (B).
9. Après la vidange du réservoir du détergent, il pourrait être nécessaire de vidanger le Chemical Mixing System en faisant fonctionner le système exclusivement avec l'eau propre.

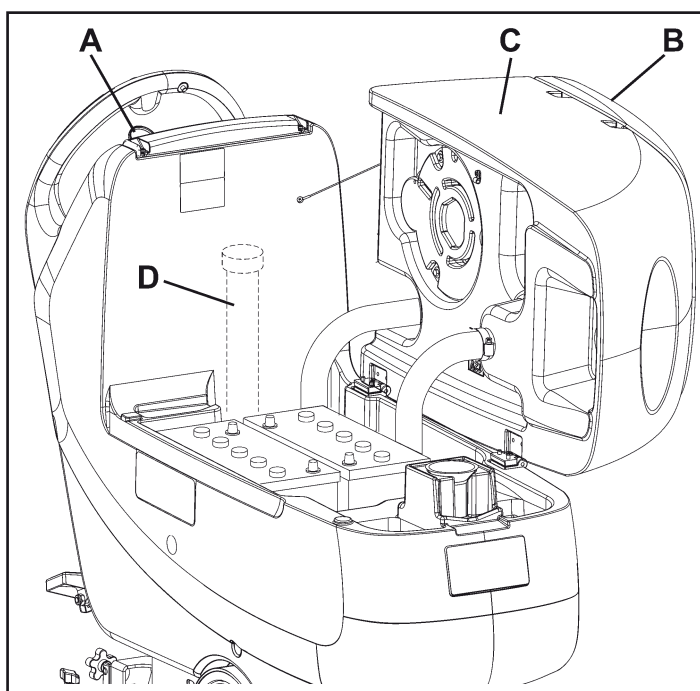


Figure 34

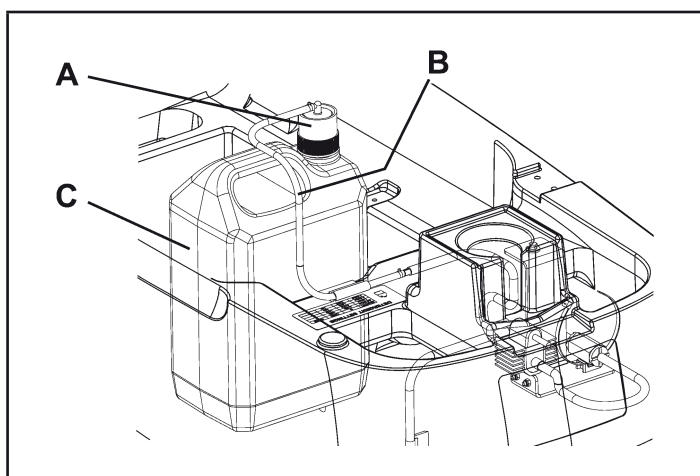


Figure 35

DEPOSE / REPOSE DE LA TÊTE PORTE-BROSSES / PLATEAUX SUPPORT DISQUE / PORTE-BROSSES CYLINDRIQUES

Et la tête porte-brosses / plateaux support disque (R, Fig. 2 - page 73) et la tête porte-brosses cylindriques (S, Fig. 2 - page 73) peuvent être facilement installées et déposées de la machine.

Dépose

1. Amener la machine sur un sol plat.
2. Déposer les brosses / plateaux support disque en procédant comme indiqué au paragraphe spécifique. Ne pas déposer les brosses cylindriques.
3. Baisser la tête porte-brosses / plateaux support disque en appuyant sur la pédale.
4. Si présents, déposer les goupilles (B, Fig. 36) et le ressort à gaz (A).
5. Débrancher le branchement électrique (D) des moteurs des brosses / plateaux support disque.
6. Déconnecter le raccord (E) du tuyau de la solution.
7. Déposer les vis (C), puis déposer la tête porte-brosses / plateaux support disque (F).

Repose

8. Pour la repose, procéder dans l'ordre inverse de la dépose, en faisant attention aux indications suivantes :
 - lorsque la tête porte-brosses cylindriques (S, Fig. 2 - page 73) est installée sur la machine, le ressort à gaz (A, Fig. 34) ne doit pas être installé.

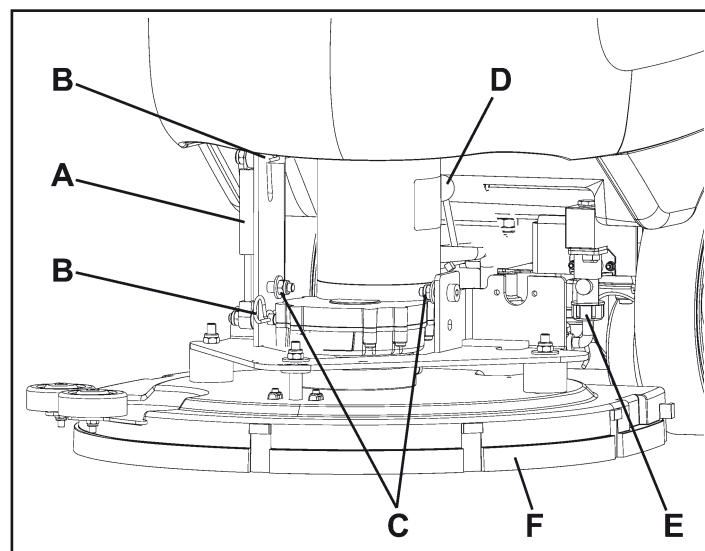


Figure 36

CHARGEMENT DES BATTERIES



REMARQUE

Charger les batteries lorsque le témoin lumineux jaune (A, Fig. 37) ou rouge (B) s'allume, ou à la fin de chaque cycle de nettoyage.



AVERTISSEMENT !

Garder les batteries chargées afin de prolonger leur vie utile.



AVERTISSEMENT !

Lorsque les batteries sont déchargées, les recharger dès que possible, afin de ne pas réduire leur vie utile. Contrôler la charge des batteries au moins une fois par semaine.



ATTENTION !

Pendant le chargement des batteries WET un gaz hydrogène très explosif est produit. Charger les batteries dans un endroit bien aéré et loin de flammes libres. Ne pas fumer pendant le chargement des batteries.

Garder le réservoir ouvert pendant tout le cycle de rechargement des batteries.



ATTENTION !

Pendant le rechargement des batteries, prêter attention à d'éventuelles pertes de liquide des batteries. Ce liquide est hautement corrosif. En cas de contact avec les yeux ou la peau, rincer abondamment à l'eau et consulter un médecin.

Opérations préalables

- Ouvrir le couvercle (A, Fig. 38) et vérifier que le réservoir d'eau de récupération (B) est vide. Dans le cas contraire, le vider au moyen du tuyau de vidange (C).
- Amener la machine dans la zone destinée au chargement des batteries.
- Tourner la clé de contact (C, Fig. 37) sur "0".
- Soulever le réservoir (B, Fig. 38) avec soin.
- Exclusivement pour batteries WET :
 - Contrôler le niveau de l'électrolyte dans les batteries (D) ; si besoin est, faire l'appoint au moyen des bouchons (E).
 - Laisser tous les bouchons (E) ouverts pour le rechargement successif.
 - Si besoin est, nettoyer la surface supérieure des batteries (D).
- Charger les batteries avec la procédure suivante.

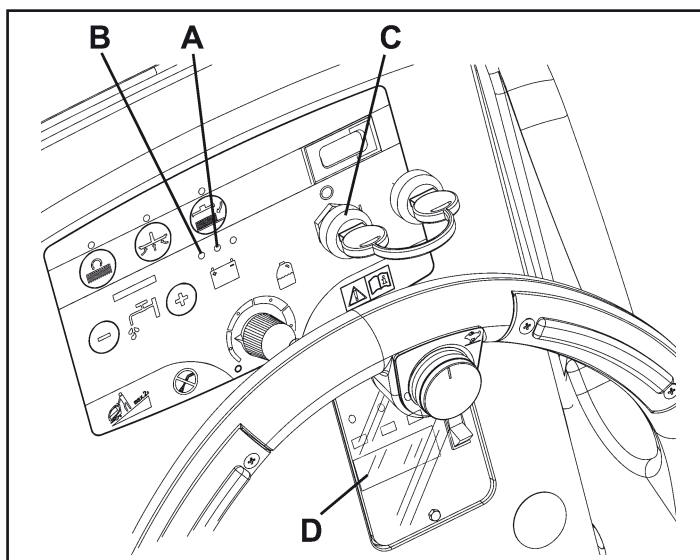


Figure 37

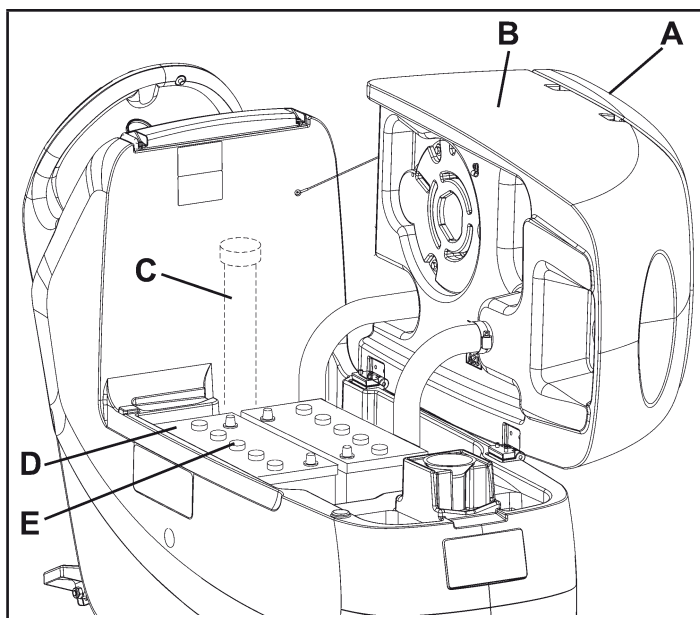


Figure 38

Chargement des batteries avec chargeur de batterie installé dans la machine

7. Brancher le câble (A, Fig. 40) du chargeur de batterie au réseau électrique [la tension et la fréquence de réseau doivent coïncider avec les valeurs correspondantes du chargeur de batterie, indiquées sur la plaque avec numéro de série de la machine (D, Fig. 39)].
Lorsque le chargeur de batterie est branché au réseau électrique, toutes les fonctions de la machine sont automatiquement exclues.
Lorsque le témoin lumineux rouge (B, Fig. 40) s'allume fixe sur le tableau de bord du chargeur de batterie, il indique que le chargeur de batterie est en train de charger les batteries.
8. Lorsque le témoin lumineux vert (C) s'allume, le cycle de chargement des batteries est terminé.
9. Le cycle de chargement terminé, débrancher le câble (A) du chargeur de batterie du réseau électrique et l'enrouler autour du logement correspondant.
10. Baisser le réservoir (D) avec soin.

i REMARQUE

Pour de plus amples informations relatives au fonctionnement du chargeur de batterie (E, Fig. 40), se référer au manuel spécifique.

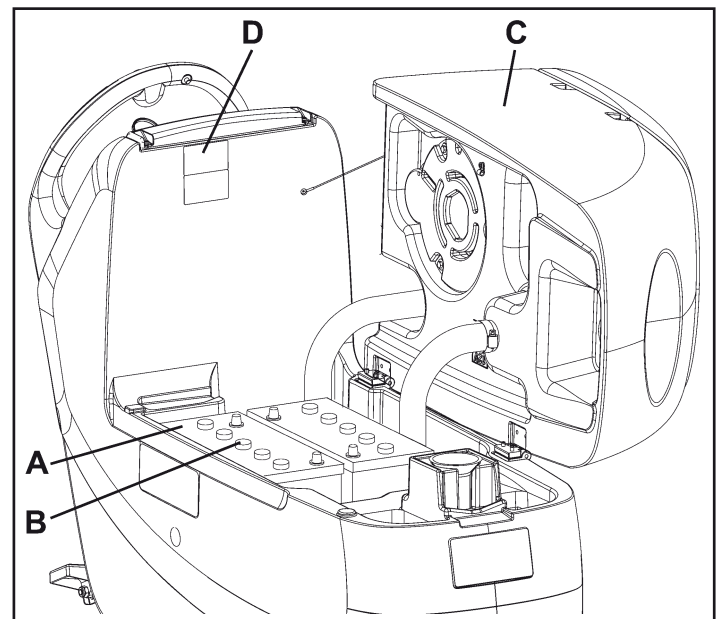


Figure 39

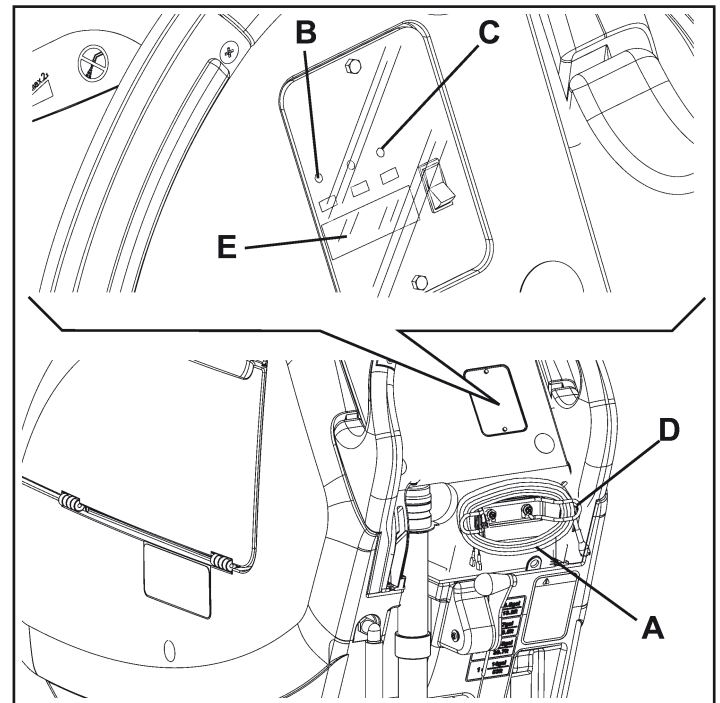


Figure 40

CONTROLE DES HEURES DE TRAVAIL DE LA MACHINE

(Seulement pour machines avec compteur horaire)

1. Tourner la clé de contact (A, Fig. 43) sur "I".
2. Appuyer sur le bouton-poussoir (B) et lire sur le compteur horaire (C) le numéro total des heures de travail (lavage / séchage) effectuées par la machine.
3. Appuyer à nouveau sur le bouton-poussoir (B).
4. Tourner la clé de contact (A) sur "0".

CONTROLE / REMPLACEMENT DES FUSIBLES

1. Débrancher le connecteur (A, Fig. 42) des batteries.
2. Déplacer le tuyau de vidange de l'eau de récupération (B).
3. Déposer le câble (I, Fig. 43) du chargeur de batterie du logement (J).
4. Déposer les vis (A) et déplacer le tableau (B) avec soin en dégageant la bague en caoutchouc (K) de son logement dans le tableau (B).
5. Contrôler / remplacer les fusibles suivants :
 - C) Fusible F1, tête porte-brosses : (40 A)
 - D) Fusible F2, système d'aspiration : (30 A)
 - E) Fusible F3, système de traction : (30 A) (*)
 - F) Fusible F4, circuits de signaux : (3 A)
 - G) Fusible F5, déclenchement brosses / plateaux support disque : (20 A)
 - H) Fusible F6, pompes : (3 A)
6. Exécuter les étapes de 1 à 4 dans l'ordre inverse.

(*) Seulement pour FOCUS II L17, FOCUS II L20, FOCUS II L20 Cyl., BOOST L20

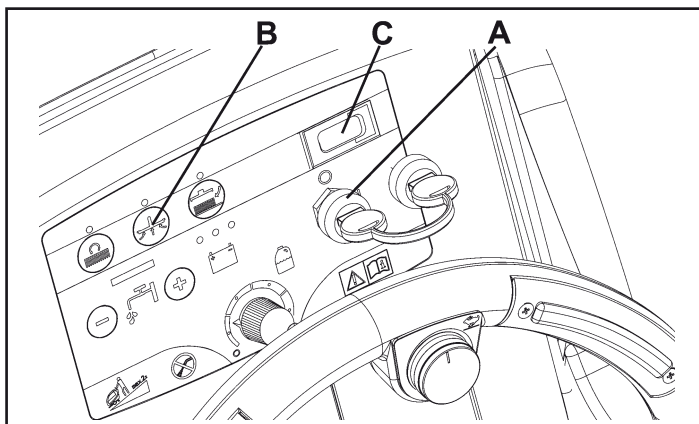


Figure 41

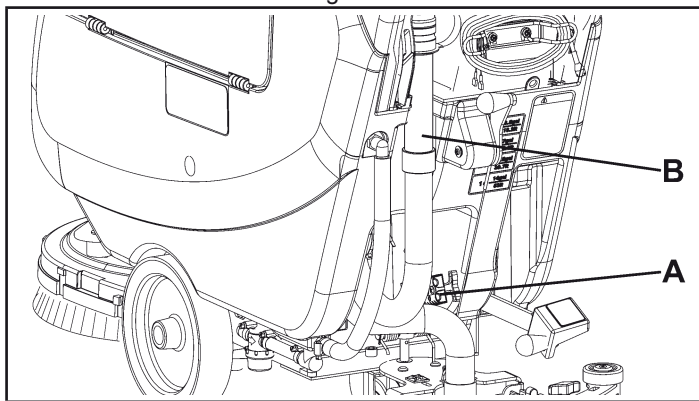


Figure 42

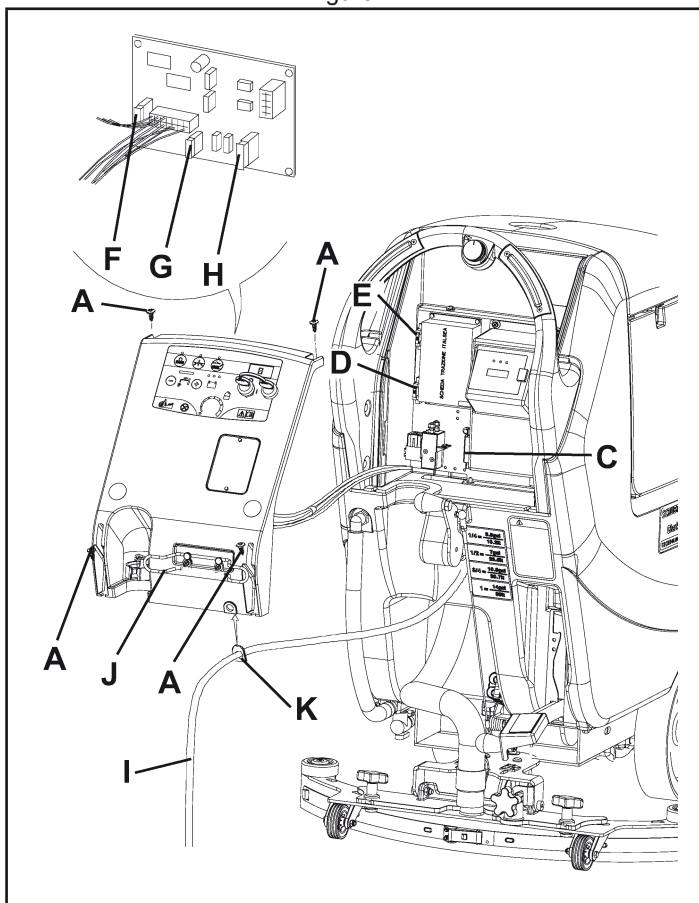


Figure 43

ACCESSOIRES OPTIONNELS POUR FOCUS II

Outre les composants présents dans le modèle standard, la machine peut être équipée des accessoires optionnels suivants, selon l'emploi spécifique de la machine.

Pour de plus amples informations relatives aux accessoires optionnels susmentionnés, s'adresser au revendeur agréé.

ACCESSOIRES OPTIONNELS

Voir la section "Catalogue de pièces de rechange".

1. Batteries GEL
2. Brosses et brosses cylindriques de matériaux différents par rapport aux brosses standard
3. Disques de matériaux différents par rapport aux disques standard
4. Chemical Mixing System

DEPISTAGE DES PANNES

Problème	Cause probable	Remède
Les moteurs ne fonctionnent pas ; aucun témoin lumineux ne s'allume	Connecteur des batteries débranché	Brancher le connecteur des batteries
	Batteries complètement déchargées	Charger les batteries
La machine ne bouge pas (Seulement pour le autolaveuse avec traction)	La machine a été démarrée par la clé de contact en appuyant sur un des boutons-poussoirs de commande marche et de rotation brosses	Positionner la clé de contact sur "0", puis répéter la procédure de mise en marche sans appuyer sur les boutons-poussoirs de commande marche et de rotation brosses
Les 3 témoins lumineux de l'état de charge de la batterie clignotent simultanément.	Surcharge du moteur de la brosse.	Utiliser des brosses moins dures ou de type différent, ou ne pas travailler avec la fonction d'extra-pression activée.
	Présence de corps étrangers (fils entortillés, etc.) qui peuvent arrêter la rotation de la brosse.	Nettoyer le moyeu de la brosse.
Les brosses ne tournent pas ; le témoin lumineux rouge est allumé	Batteries déchargées	Charger les batteries
Aspiration eau de récupération insuffisante	Réservoir eau de récupération plein	Vider le réservoir
	Tuyau flexible déconnecté de l'embouchure	Connecter
	Grille d'aspiration obstruée ou flotteur bloqué en position fermée	Nettoyer la grille et contrôler le flotteur
	Embouchure sale ou lamelles en caoutchouc usées ou endommagées	Nettoyer et contrôler l'embouchure
	Couvercle réservoir pas correctement fermé, joint d'étanchéité endommagé ou orifice de compensation obstrué	Fermer correctement le couvercle ou remplacer le joint d'étanchéité ou nettoyer l'orifice de compensation
	Réservoir eau de récupération sale	Nettoyer
Flux de solution aux brosses insuffisant	Filtre de la solution ou de l'eau propre sale	Nettoyer le filtre
Traces laissées par l'embouchure	Débris sous les lamelles en caoutchouc de l'embouchure	Enlever les débris
	Lamelles en caoutchouc de l'embouchure usées, ébréchées ou déchirées	Remplacer les lamelles en caoutchouc
	Embouchure non réglée au moyen du bouton de réglage	Régler



REMARQUE

La machine a été achetée avec un chargeur de batterie installé, elle ne peut pas fonctionner sans cet appareil. En cas de panne du chargeur de batterie, s'adresser à un Service après-vente autorisé.

Pour de plus amples informations, se référer au manuel d'entretien consultable auprès des Services après-vente Clarke.

MISE EN DECHARGE

Effectuer la mise en décharge de la machine auprès d'un démolisseur autorisé.

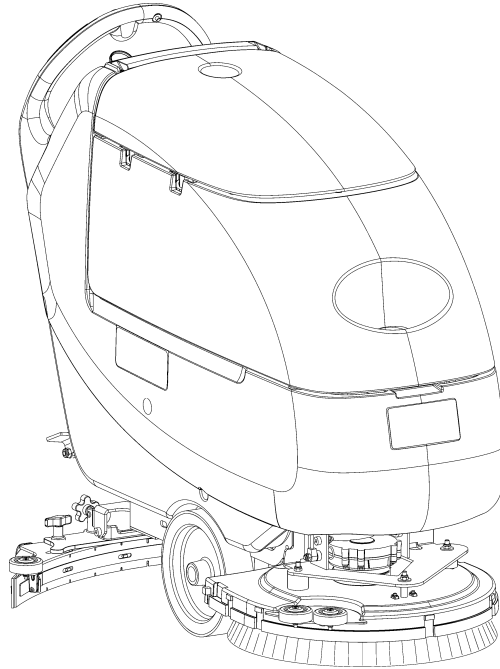
Avant d'effectuer la mise en décharge de la machine il est nécessaire de déposer et séparer les éléments suivants et les envoyer aux collectes sélectives, conformément aux normes d'hygiène de l'environnement en vigueur :

- Batteries
- Brosses / disques
- Tuyaux et pièces en matériel plastique
- Parties électriques et électroniques (*)

(*) Notamment pour la mise en décharge des parties électriques et électroniques, s'adresser auprès du centre Clarke le plus proche.

Clarke®

FOCUS® II



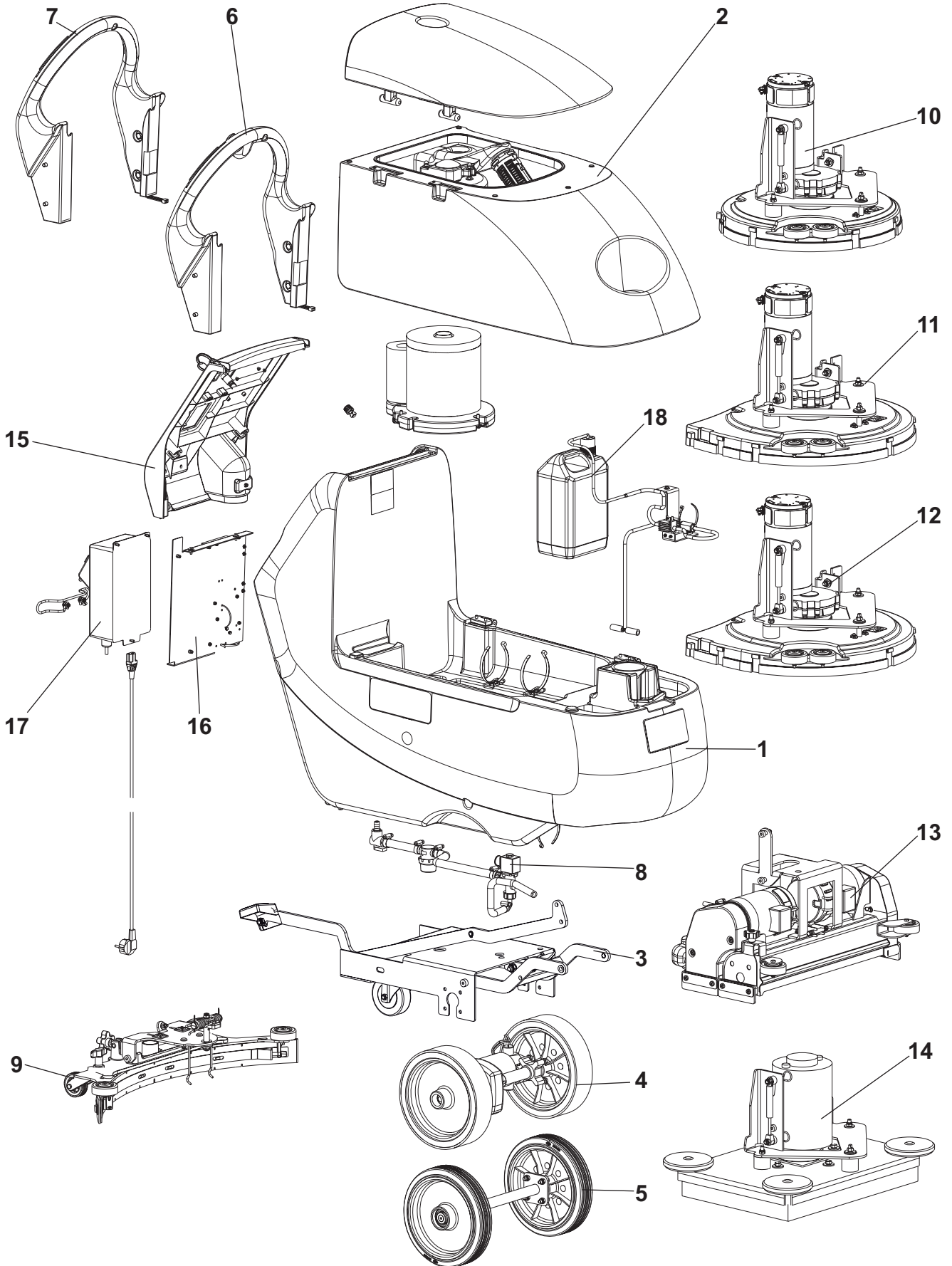
Parts List

[] = Not shown

* = optional

= Modified item No. or New item No.

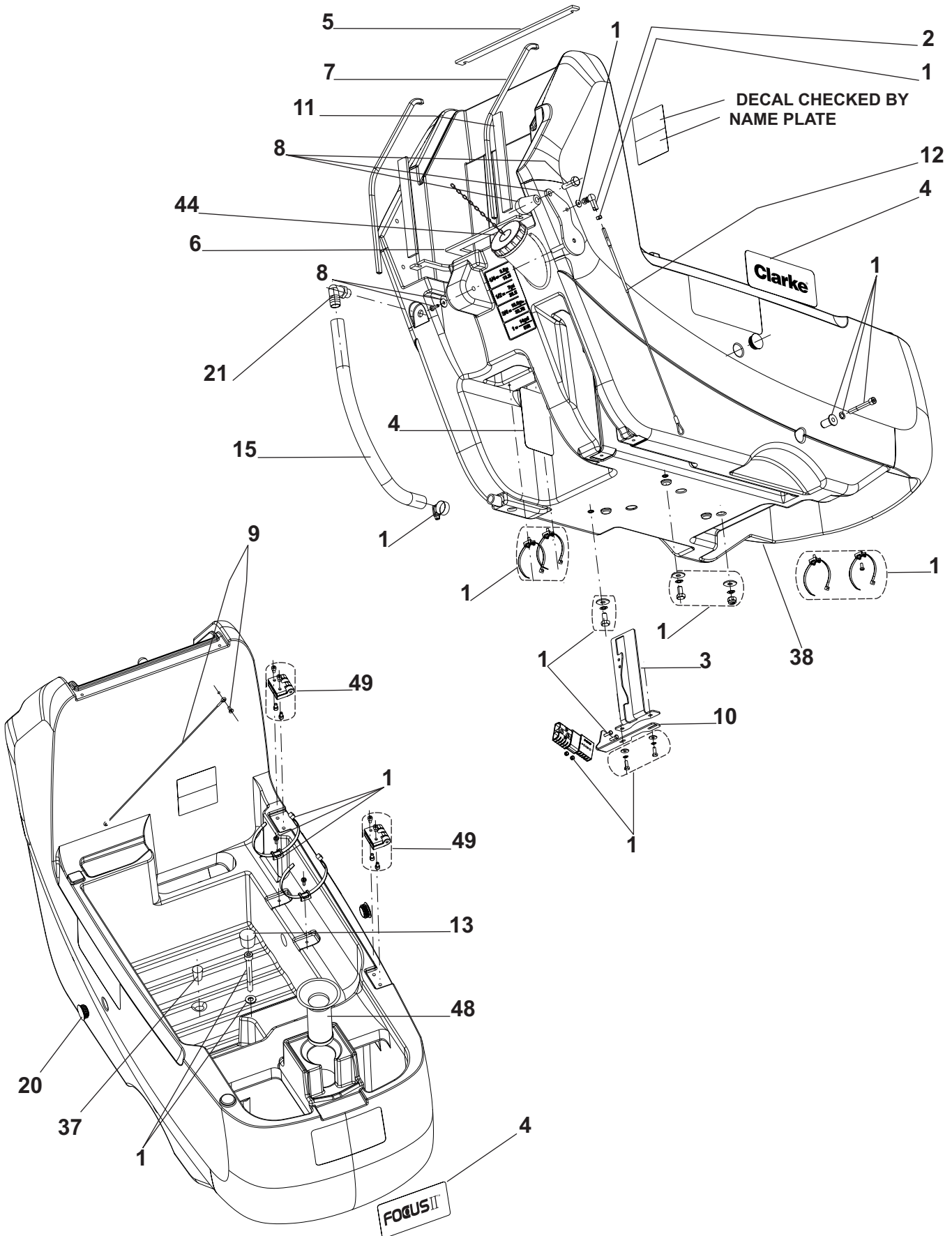
General View



General View

Ref.	Part No.	Description	Qty
1		SOLUTION TANK	1
2		RECOVERY TANK	1
3		CHASSIS SYSTEM	1
4		WHEELS SYSTEM DRIVE	1
5		WHEELS SYSTEM NO DRIVE	1
6		HANDLE ASSEMBLY DRIVE	1
7		HANDLE ASSEMBLY NO DRIVE	1
8		SOLUTION SYSTEM	1
9		SQUEEGEE SYSTEM	1
10		BRUSH SYSTEM 17"	1
11		BRUSH SYSTEM 20" NO DRIVE	1
12		BRUSH SYSTEM 20" DRIVE	1
13		CYLINDRICAL BRUSHES SYSTEM	1
14		BOOST® HEAD ASSEMBLY 20"	1
15		CONTROL PANEL SYSTEM	1
16		ELECTRICAL COMPONENTS	1
17		BATTERY CHARGER ASSEMBLY	1
18*		CHEMICAL MIXING SYSTEM	1

Solution Tank - 04/10

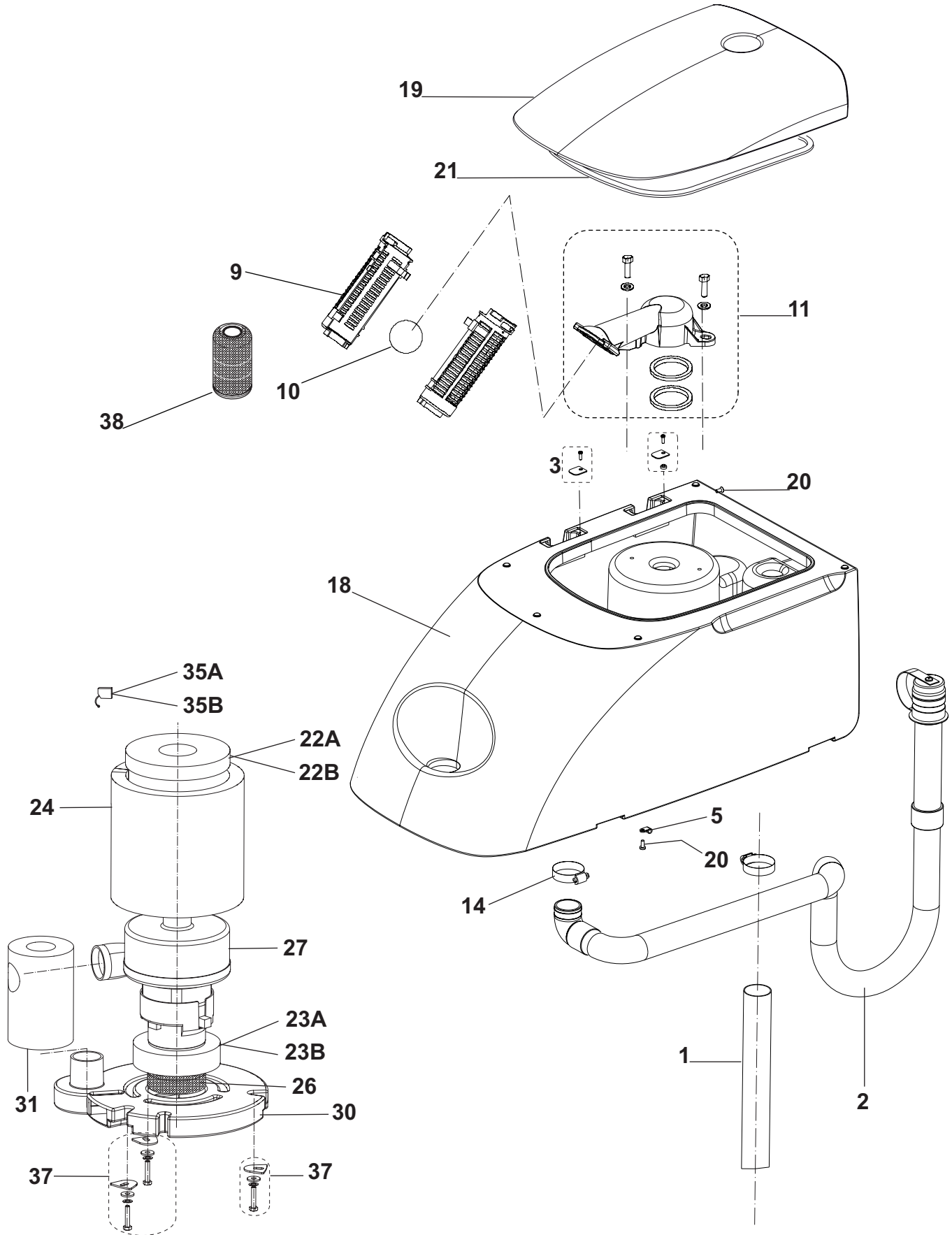


Solution Tank - 11/11

Ref.	Part No.	Description	Qty
1	9098265000	SOLUTION TANK HARDWARE KIT	1
2	145 8479 000	JOINT BALL M6	1
3	909 6493 000	SUPPORT, PEDAL	1
4	9098472000	KIT DECAL FOCUS II	1
5	909 6596 000	GASKET	1
6	909 6597 000	GASKET	1
7	909 6892 000	GASKET L=960	2
8	9097630000	HARDWARE SQUEEGEE LEVER FIXING KIT	1
9	909 6874 000	CABLE TANK KIT	1
10	909 6649 000	BRACKET CONNECTOR SUPPORT	1
11	9098033000	GASKET HANDLE BAR	1
12#	9098675000	SQUEEGEE LIFTING CABLE KIT - TSB IT 2010-053	1
	9098672000	INSTALLATION INSTRUCTIONS	1
13	909 6673 000	CAP BLACK BP6	1
15	909 6521 000	FRESH WATER HOSE	1
19	909 6764 000	DECAL CLARKE	2
20	L08812457	CAP,TANK LOCKING	2
21#	9099374000	FITTING PIPE	1
37	909 6236 000	CAP BLACK	1
38	9097012000	TANK SOLUTION 55 LT BLUE	1
44	909 6554 000	CAP WITH CHAIN	1
48	9097192000	FILTER WATER INLET	1
49	9098329000	HINGES KIT	1

NOTE: # indicates a change has been made since the last publication of this manual

Recovery Tank - 10/09



Recovery Tank - 11/11

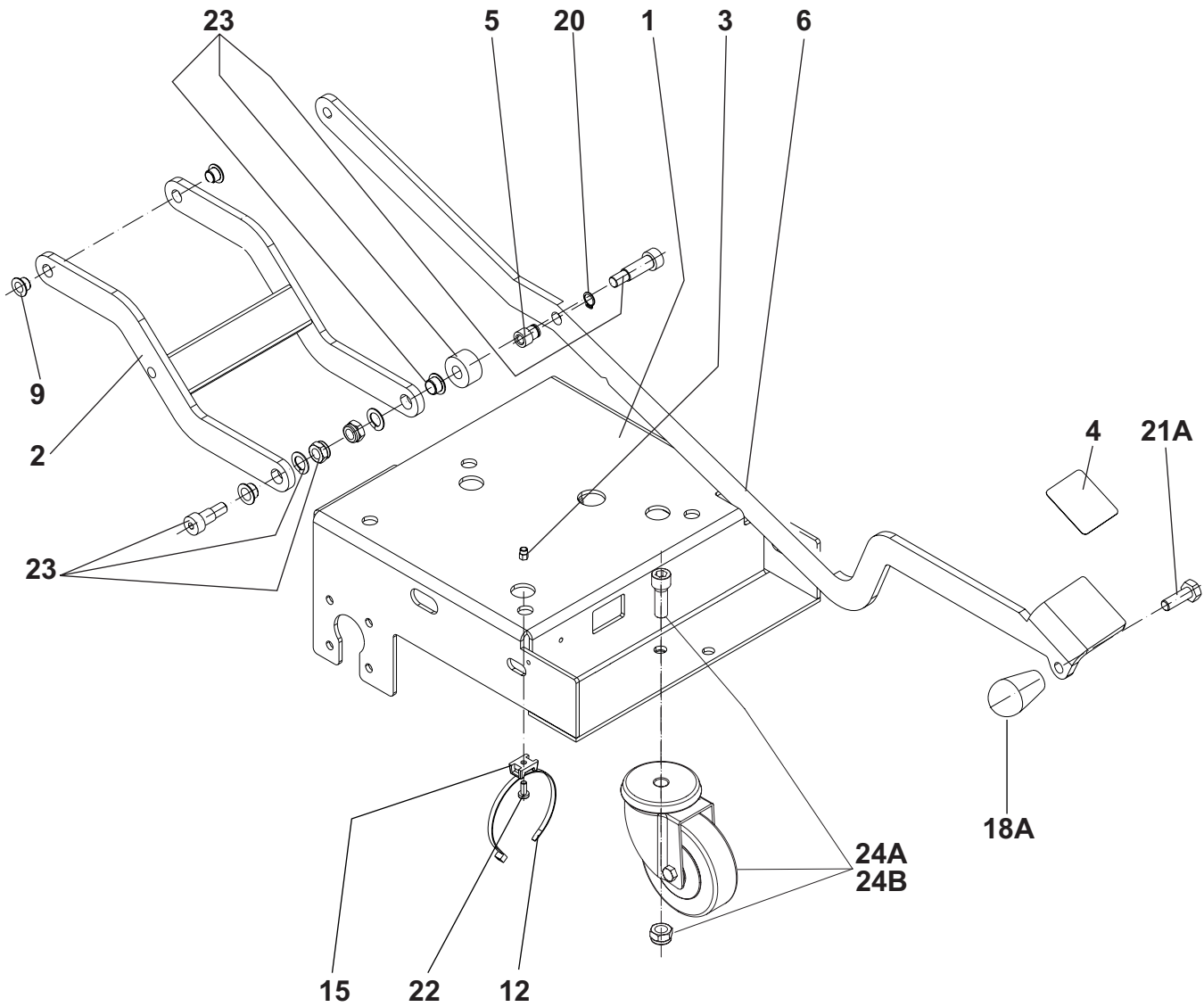
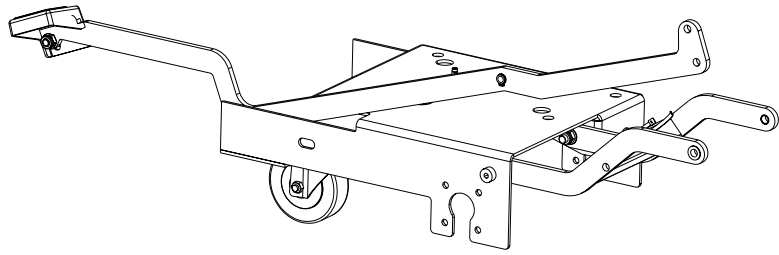
Ref.	Part No.	Description	Qty
1	9097069000	HOSE SQUEEGEE VACUUM BLAC	1
2#	9099166000	HOSE DRAIN BLACK	1
3	9097654000	TANK FIXING KIT	1
5	L08239900	CLAMP	1
9	L08812259	CAGE FLOAT COMPLETE	2
10	L08812373	FLOATING BALL	1
11	9097730000	CAGE FLOAT HOLDER KIT	1
	9097731000	INSTALLATION INSTRUCTIONS	1
14	145 0543 000	CLAMP	2
18	9097013000	RECOVERY TANK 55L	1
19	9097014000	TANK COVER 55L	1
20	33005124	SCREW M5X12 UNI7688	2
21	909 6901 000	COVER TANK GASKET	1
22A#	909 6489 000	GASKET SUCTION MOTOR	1
22B	9098057000	GASKET SUCTION MOTOR	1
23A	909 6490 000	GASKET SUCTION MOTOR	1
23B	9098056000	GASKET SUCTION MOTOR	1
24	909 6491 000	ACOUSTIC INSULATION PANEL	1
26	909 6672 000	FILTER	1
27#	9099401000	MOTOR VACUUM KIT	1
30	909 6051 000	VACUUM MOTOR COVER	1
31	909 6442 000	ACOUSTIC INSULATION PIPE	1
35A	909 5371 000	CARBON BRUSH (AMETEK)	2
35B	9098231000	CARBON BRUSH KIT (VIPER)	1
37	909 6877 000	VACUUM MOTOR HARDWARE KIT	1
38*	909 5065 000	FILTER ANTIFOAMING	1
[39]	909 6876 000	HARDWARE OLD TYPE CAGE SUP.FIXING KIT	1
[40]*#	9098854000	ELBOW 90. SUCT. HOSE KIT BLACK	1

A : FOR MOTOR 9099401000 (AMETEK)

B : FOR MOTOR 9098062000 (VIPER)

NOTE: # indicates a change has been made since the last publication of this manual

Chassis System - 10/09



Chassis System - 11/11

Ref.	Part No.	Description	Qty
1	909 6481 000	CHASSIS 55 LT	1
2	909 6486 000	LEVER, BRUSH DECK LIFTING	1
3	145 6132 000	INSERT M5	1
4	909 6539 000	MAT,ANTISKID	1
5	909 6540 000	BUSH FLANGED	1
6	909 6487 000	PEDAL BRUSH LIFTING	1
9	909 6594 000	BUSH FLANGED	3
12	145 0524 000	CLAMP	1
15	909 6595 000	HOLDER,FLAT TIE	1
18A	909 6621 000	KNOB	1
20	33006051	RING D 12 UNI7435	1
21A	33004010	SCREW HEX M10X30 UNI5739	1
22	909 6337 000	SCREW M5X12 UNI7687	1
23	909 6878 000	HARDWARE CHASSIS FIXING KIT	1
24A	909 6879 000	WHEEL CASTOR SS KIT	1
24B	909 6880 000	CASTOR REAR KIT NON TRAVERSE	1
24*#	9098947000	WHEELS CASTOR SS	1

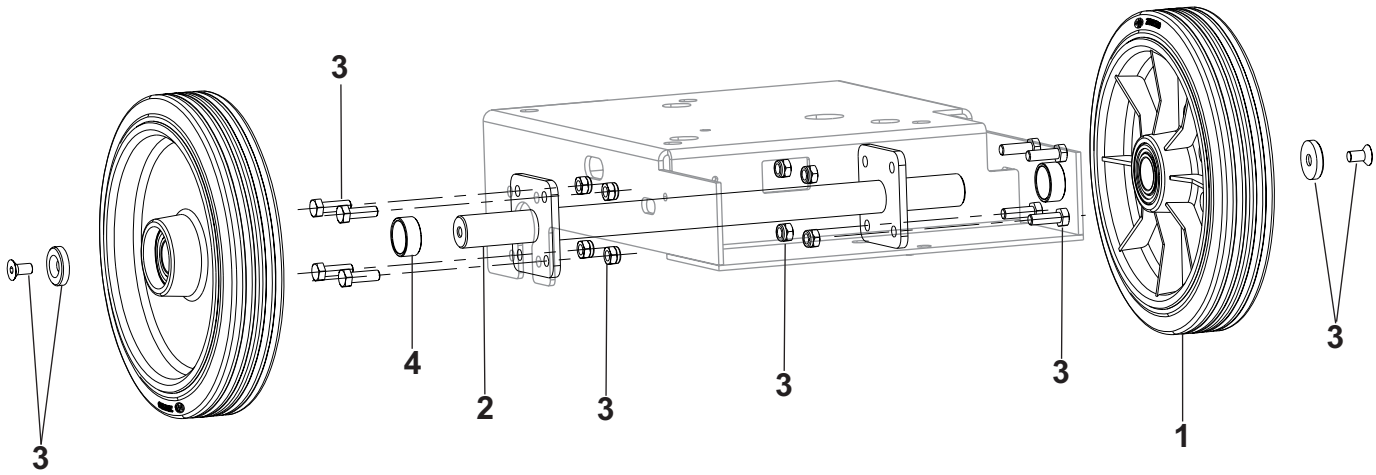
A : ONLY FOR MACHINE WITH DRIVE

B : ONLY FOR MACHINE WITHOUT DRIVE

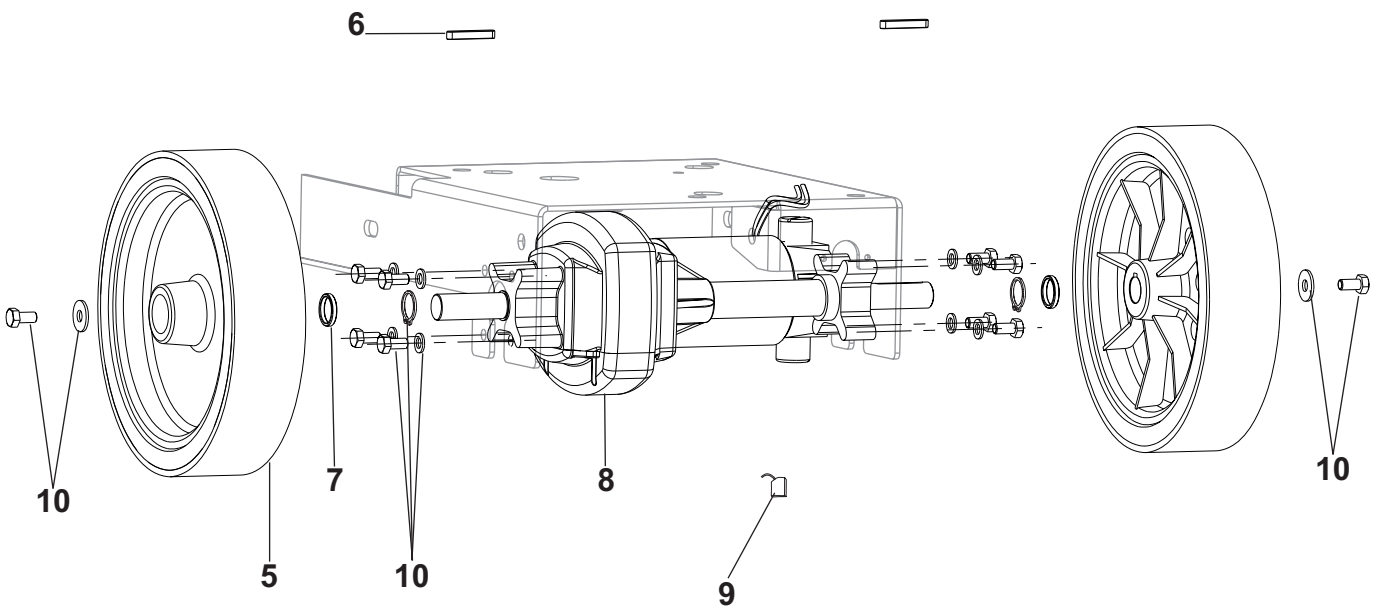
NOTE: # indicates a change has been made since the last publication of this manual

Wheel Systems - 10/09

MACHINE WITHOUT DRIVE



MACHINE WITH DRIVE



Wheel Systems - 10/09

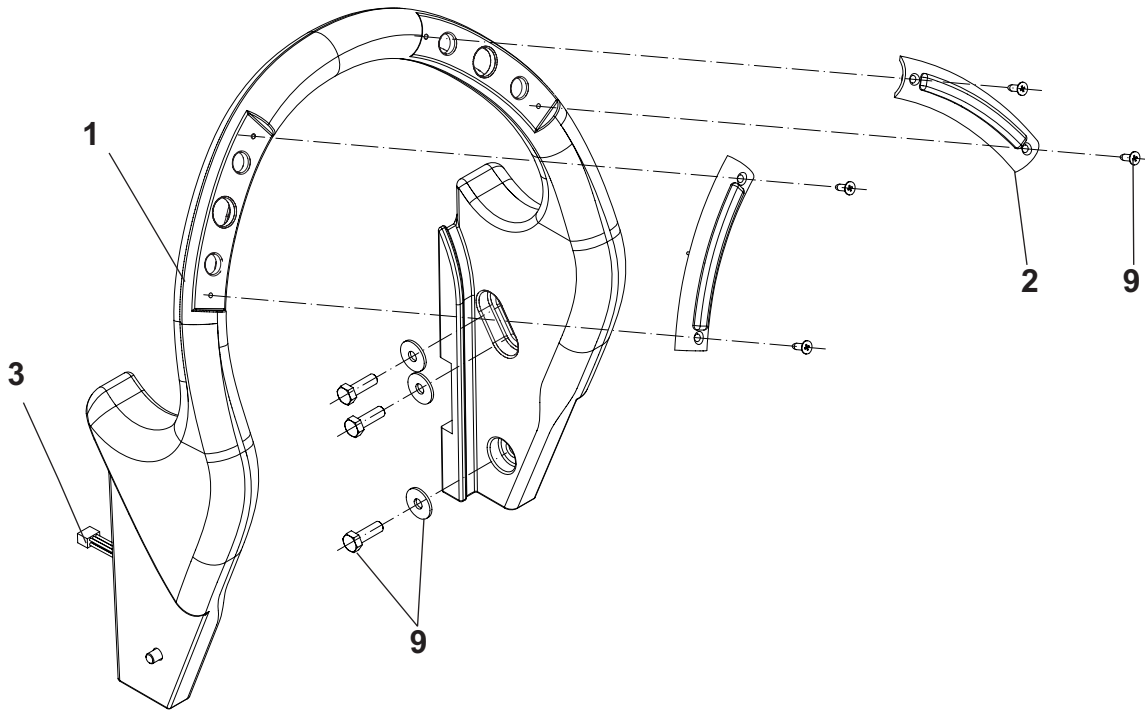
Ref.	Part No.	Description	Qty
		MACHINE WITHOUT DRIVE	
1	9097085000	WHEEL FRONT D.250 BLUE	2
2	909 6501 000	SHAFT, WHEELS	1
3	9098299000	HARDWARE WHEELS KIT	1
4	909 6502 000	SPACER 25X30X12.6	2

		MACHINE WITH DRIVE	
5	9097087000	WHEEL FRONT D.250 DRIVE BLUE	2
5*	9097026000	WHEEL FRONT D.250 DRIVE 65SH	2
6	146 0769 000	KEY	2
7	909 6506 000	SPACER 20.5X25X5	2
8	909 6548 000	MOTODIFFERENTIAL	1
9	145 5124 000	CARBON BRUSH	2
10	9098298000	HARDWARE DRIVE WHEELS KIT	1

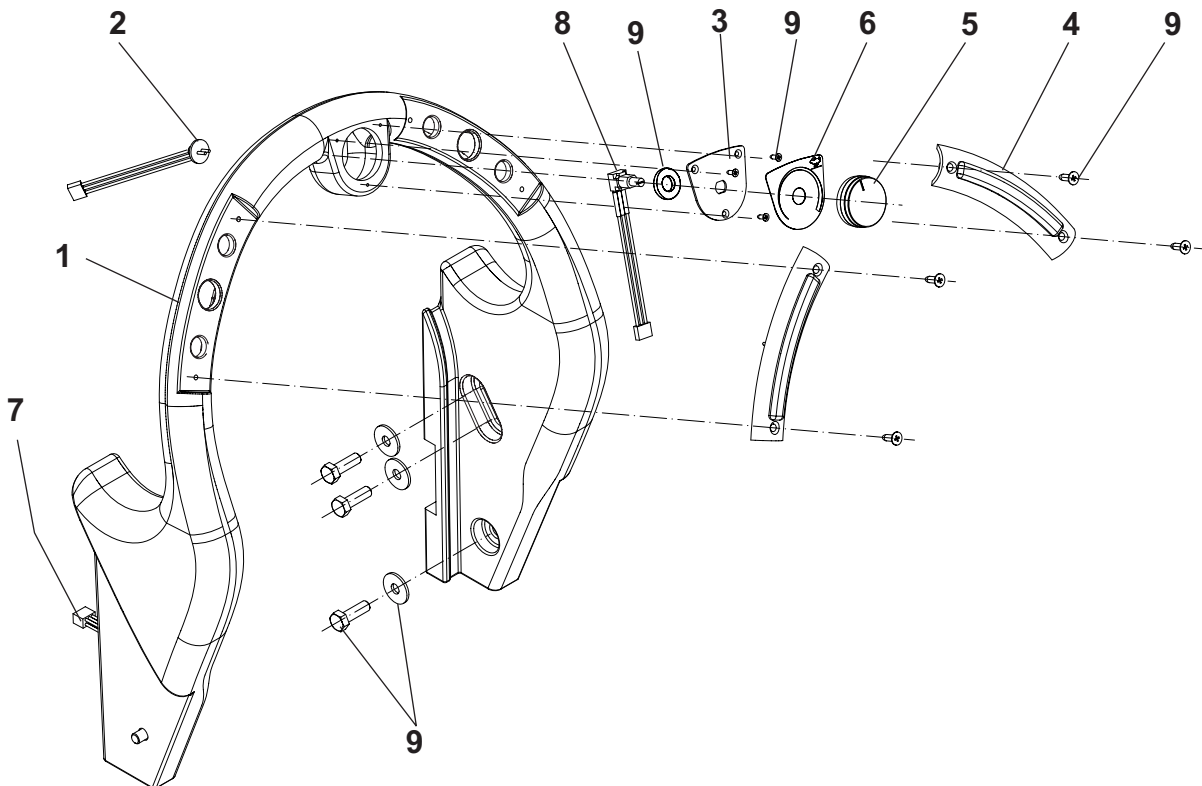
NOTE: # indicates a change has been made since the last publication of this manual

Handle Assemblies - 04/10

MACHINE WITHOUT DRIVE



MACHINE WITH DRIVE



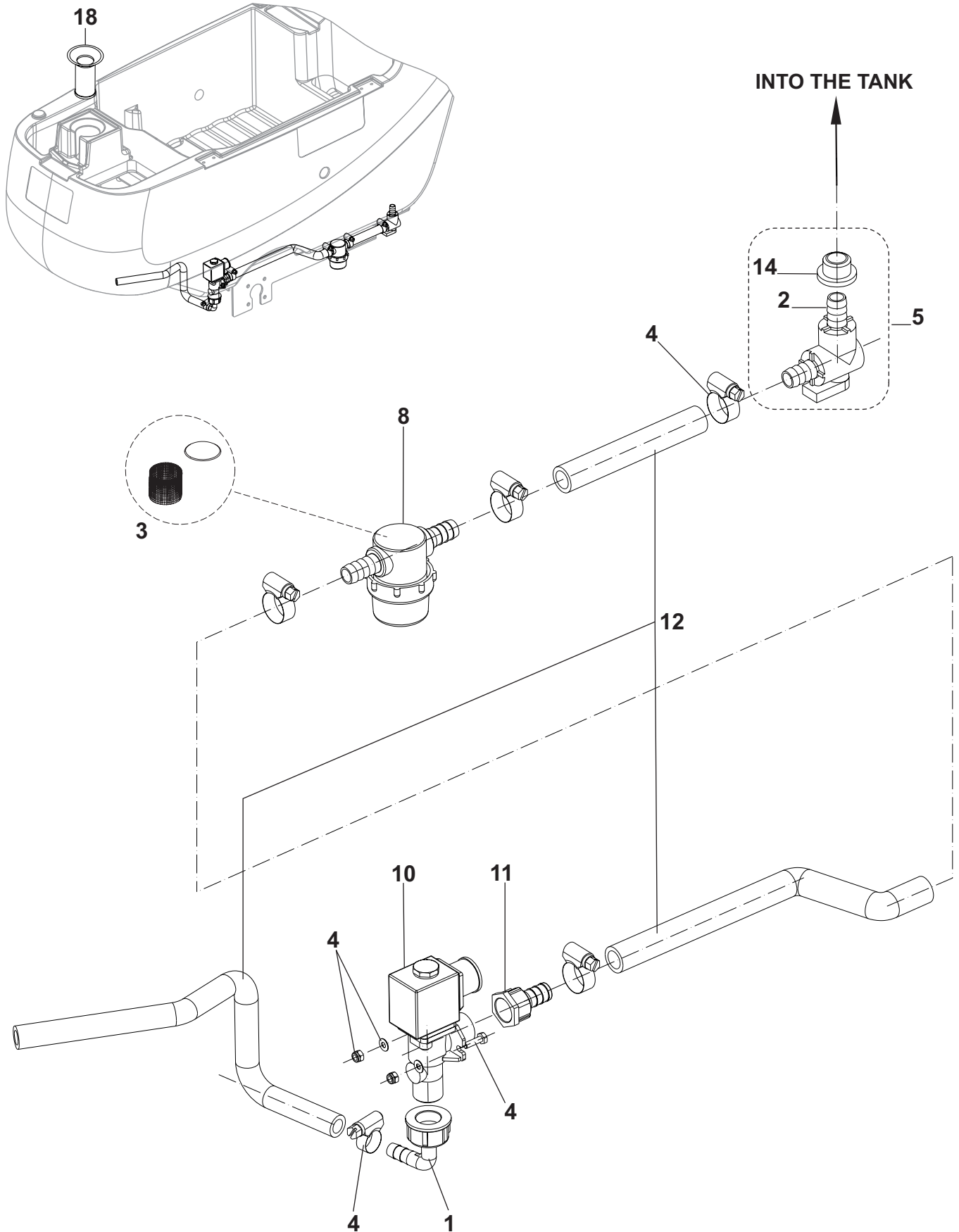
Handle Assemblies - 11/11

Ref.	Part No.	Description	Qty
		MACHINE WITHOUT DRIVE	
1	9097021000	HANDLE BAR	1
2	11131A	BUTTON BRUSH KIT	2
3	9097036000	HARNESS HANDLE BAR	1
9	9098330000	HARDWARE HANDLE ASSEMBLY KIT	1

		MACHINE WITH DRIVE	
1	9097018000	HANDLE BAR DRIVE VERSION	1
2#	9097153000	SWITCH ASSY REVERSE	1
3	9097031000	PLATE POTENTIOMETER	1
4	11131A	BUTTON BRUSH KIT	2
5	9098484000	KNOB POTENTIOMETER KIT	1
6	9097071000	DECAL TRACTION CONTROL	1
7	9097035000	HARNESS HANDLE BAR	1
8	9097043000	POTENTIOMETER	1
9	9098330000	HARDWARE HANDLE ASSEMBLY KIT	1

NOTE: # indicates a change has been made since the last publication of this manual

Solution System - 10/09

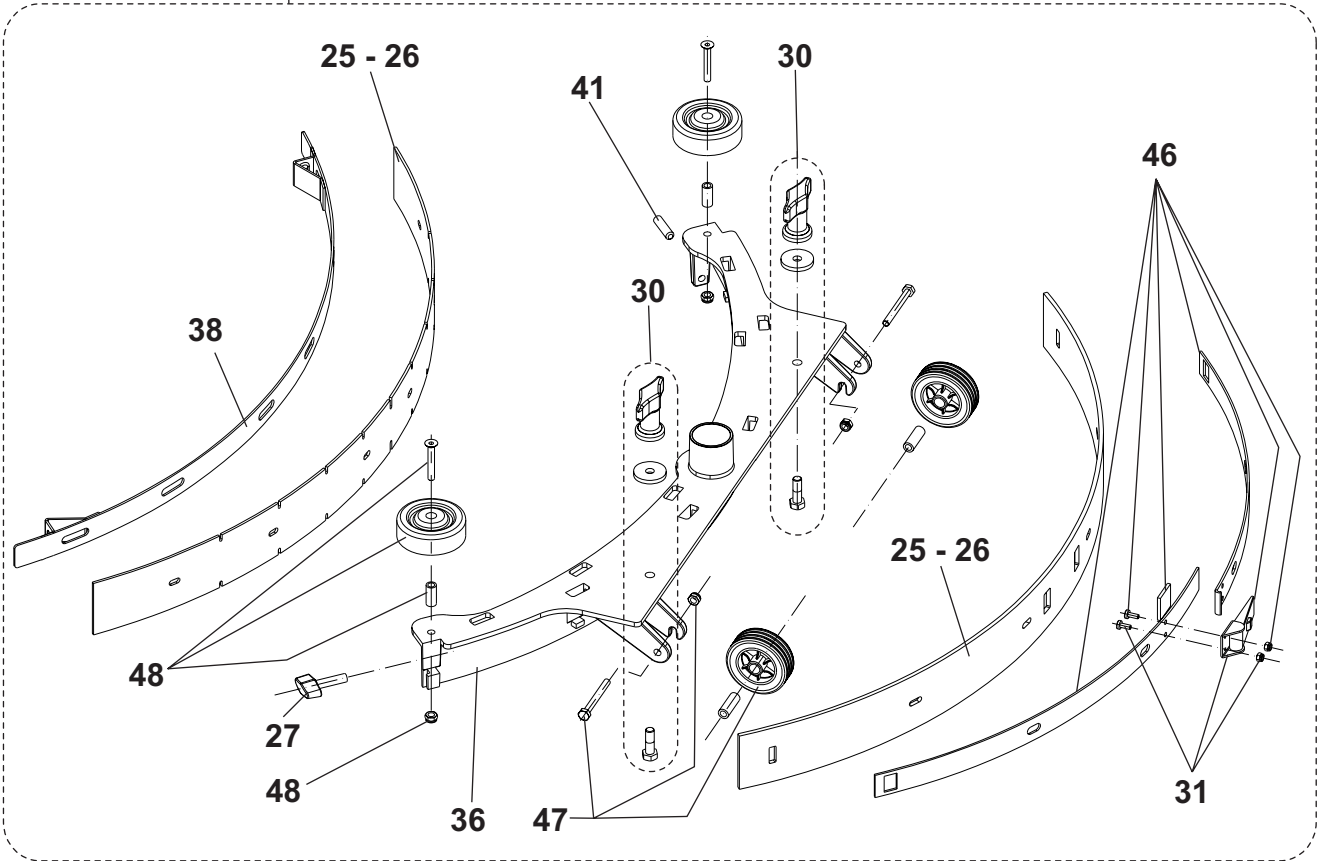
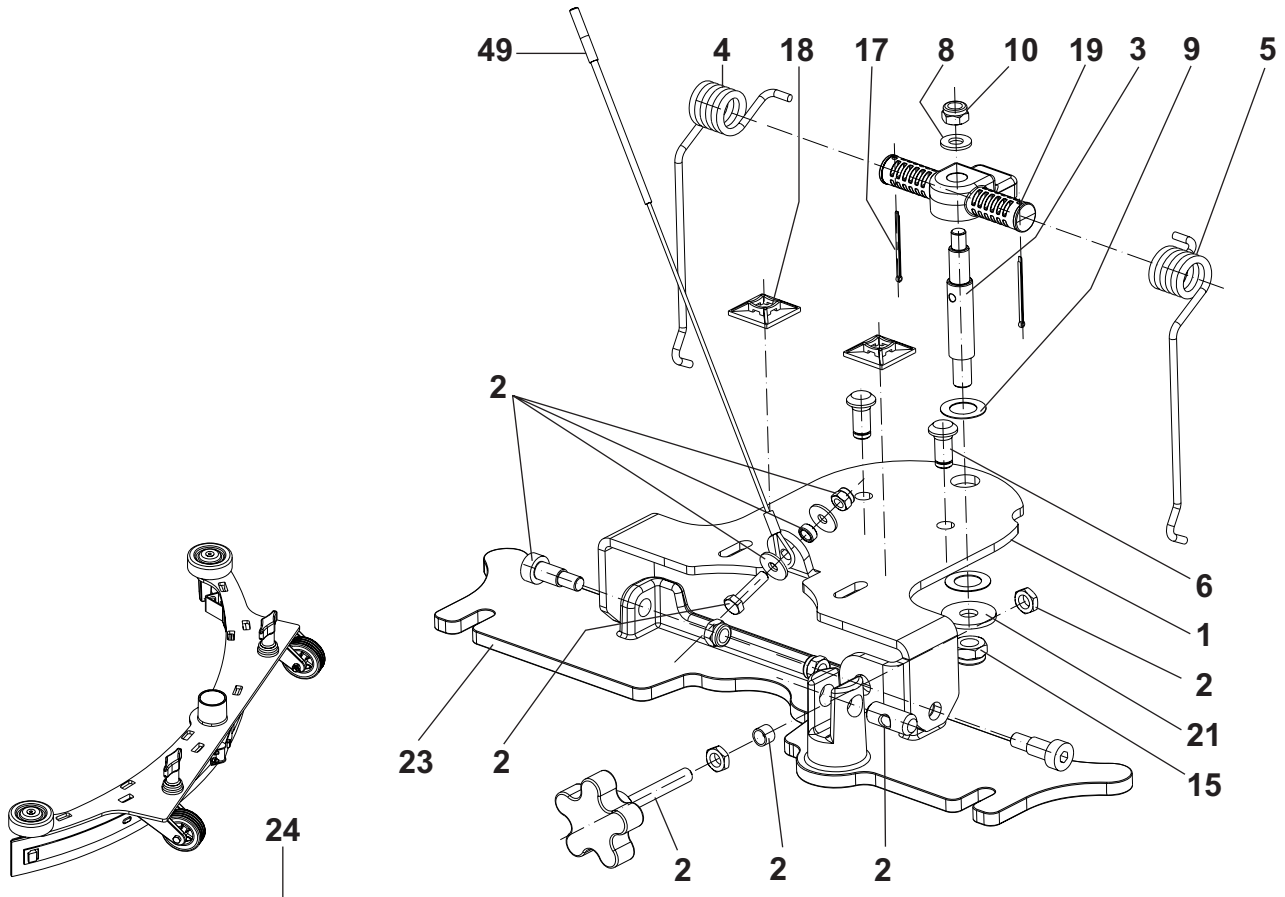


Solution System - 11/11

Ref.	Part No.	Description	Qty
1#	9098777000	HOLDER RUBBER 90 GRAD.KIT	1
2	9097028000	VALVE ELBOW	1
3	L08603893	KIT NET FILTER WITH GASKET	1
4	9098494000	HARDWARE SOLUTION SYSTEM KIT	1
5	9097626000	VALVE ELBOW KIT	1
8	9097154000	FILTER COMPLETE KIT (3)	1
10	909 6555 000	SOLENOID VALVE 24V	1
11	9097115000	PIPE FITTING D.13	1
12	9097171000	PIPES SOLENOID VALVE KIT	1
14	909 5286 000	GASKET	1
18	9097192000	FILTER WATER INLET	1

NOTE: # indicates a change has been made since the last publication of this manual

Squeegee System - 04/10

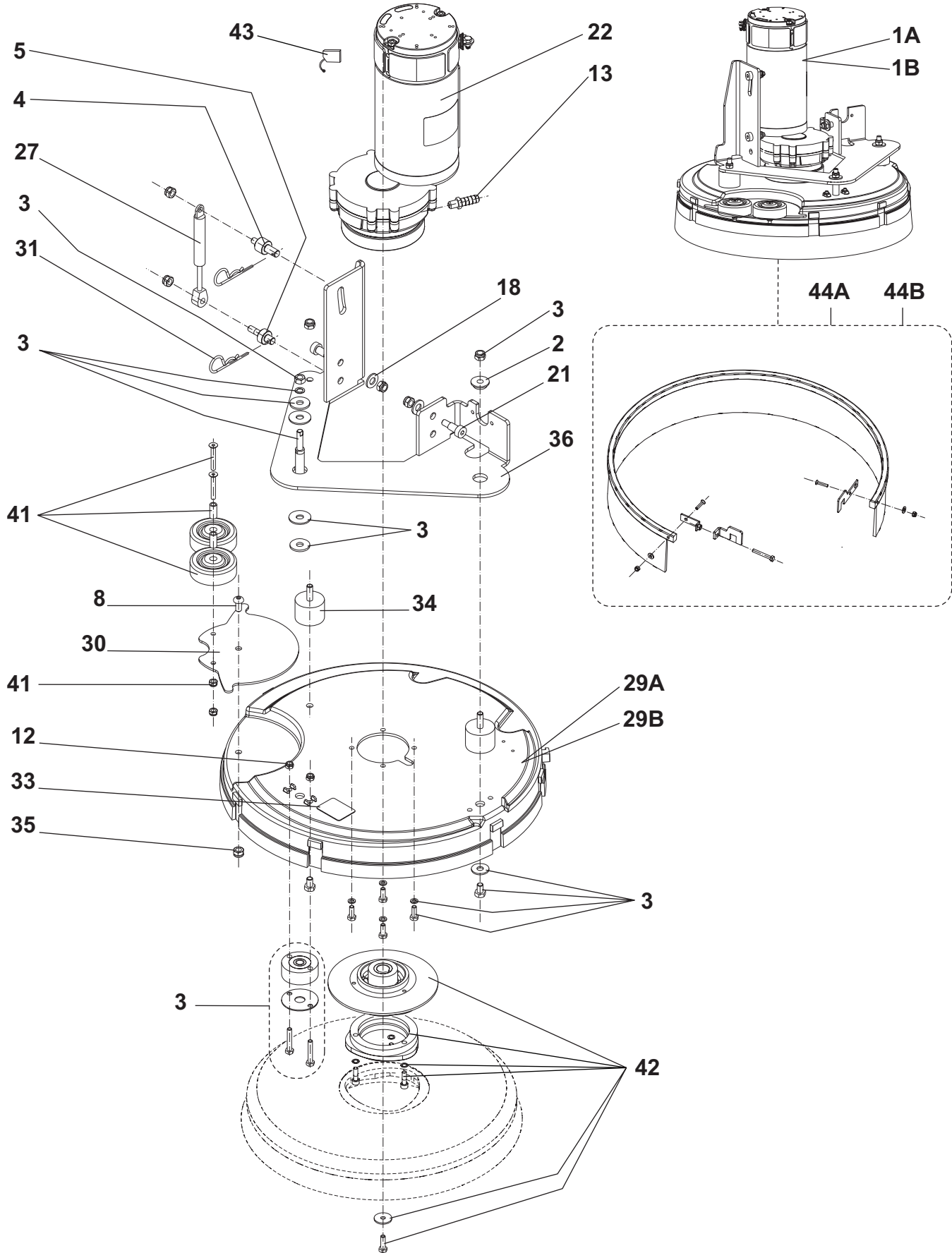


Squeegee System - 04/10

Ref.	Part No.	Description	Qty
1	909 6494 000	BRACKET SQUEEGEE SUP.	1
2	909 6885 000	SQUEEGEE SUPPORT HARDWARE KIT	1
3	909 6497 000	PIN SQUEEGEE	1
4	909 6537 000	SPRING SQUEEGEE PUSHING	1
5	909 6538 000	SPRING,SQUEEGEE PUSHING	1
6	909 6543 000	PIN SQUEEGEE FIXING	2
8	33005915	WASHER M8 UNI6592	1
9	L08238300	WASHER 15X25 UNI6592	2
10	33005607	NUT SELF L. M8 UNI7474	3
15	33005608	NUT SELF L. M10 UNI7474	1
17	33005758	PIN SPLIT 2x32 UNI1336	2
18	909 6635 000	HOLDER,FLAT TIE	2
19	909 6052 000	SUPPORT SQUEEGEE SPRING	1
21	L08604251	WASHER 10X30 UNI6592	1
23	909 6045 000	SUPPORT SQUEEGEE	1
24	9097195000	SQUEEGEE CPL ALU KIT 30" WITH POLYURETHAN BLADES	1
25	909 6858 000	SQUEEGEE BLADES POLYURET. 30" KIT	1
26*	909 6860 000	SQUEEGEE BLADES NEOPRENE/6MM KIT 30"	1
27	909 6551 000	KNOB M8X30 SS	1
30	9097637000	SQUEEGEE FIXING KIT	1
31	909 6394 000	LATCH SQUEEGEE KIT	1
36	909 6044 000	WELDMENT SQUEEGEE	1
38	909 6055 000	STRAP SQUEEGEE FRONT	1
41	909 6600 000	SCREW GRUB M8X30 UNI5929	1
46	909 6882 000	HARDWARE SQ.BLADE FIX.KIT	1
47	909 6883 000	WHEEL SQUEEGEE KIT	1
48	909 6884 000	ROLLER BUMPER SQ.KIT	1
49	909 6534 000	CABLE, SQUEEGEE LIFTING	1

NOTE: # indicates a change has been made since the last publication of this manual

Brush System MACHINE WITH DRIVE - 10/09



Brush System - 11/11

Ref.	Part No.	Description	Qty
1A	9097150000	BRUSH DECK 450MM/17" KIT WITH SPLASH GUARD	1
1B	9097149000	BRUSH DECK 530MM/20" KIT WITH SPLASH GUARD	1
2	909 6513 000	BUSH FLANGED	1
3	9098492000	BRUSH SYSTEM HARDWARE KIT	1
4	909 6515 000	PIN UPPER	1
5	909 6516 000	PIN LOWER	1
8	32400530	SCREW M8X16 ISO7380	1
13	L08601624	HOLDER RUBBER 1/4 D.10	1
21	909 6495 000	SCREW SHOULDER M10X16	1
22	9098308000	REDUCTIONGEARMOTOR 450W 24V	1
27	909 5637 000	SPRING GAS 180 N	1
29A	9097079000	BRUSH DECK 450MM/17" BLACK	1
29B	9097078000	BRUSH DECK 530MM/20" BLACK	1
30	9097081000	PLATE WHEELS SUPPORT	1
31	145 8564 000	SPLIT PIN 3	2
33	9098472000	KIT DECAL FOCUS II	1
34	9097184000	VIBRATION DAMPING M8	2
35	145 0452 000	NUT HEX SELFLOCK M8 SS	1
36	909 6485 000	PLATE BRUSH DECK HOLDER	1
41	909 6355 000	BUMPER ROLLER KIT	1
42	9097093000	HOLDER POLYGONAL KIT	1
43#	909 5380 000	CARBON BRUSH KIT FOR 909 6546 000 (LEROY SOMER)	1
43#	9098376000	CARBON BRUSH KIT FOR 9098308000 (AMER)	1
44	909 6737 000	SPLASH GUARD KIT 450MM/17"	1
44A	909 6736 000	SPLASH GUARD KIT 530MM/20"	1
	909 6745 000	INSTALLATION INSTRUCTIONS FOR SPLASH GUARD KIT	1

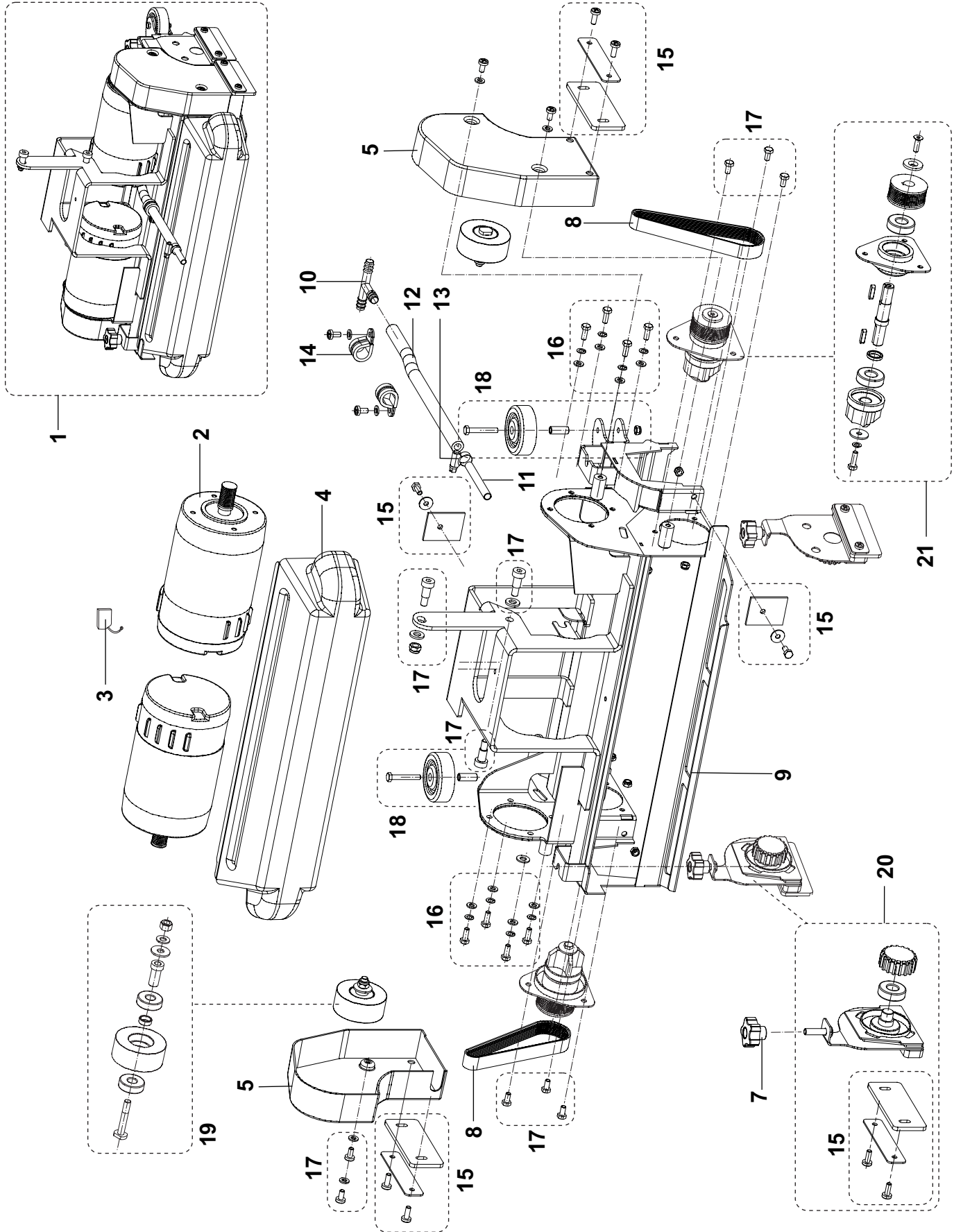
NOTE: # indicates a change has been made since the last publication of this manual - Ref. 43 Udated text

Brush System - 11/11

Ref.	Part No.	Description	Qty
3	9098492000	BRUSH SYSTEM HARDWARE KIT	1
4	909 6515 000	PIN UPPER	1
5	909 6516 000	PIN LOWER	1
8	32400530	SCREW M8X16 ISO7380	1
13	L08601624	HOLDER RUBBER 1/4 D.10	1
18	33005843	WASHER M10 UNI1751B	2
21	909 6495 000	SCREW SHOULDER M10X16	2
22	9098308000	REDUCTIONGEARMOTOR 450W 24V	1
27	909 5637 000	SPRING GAS 180 N	1
29	9097078000	BRUSH DECK 530MM/20" BLACK	1
30	9097081000	PLATE WHEELS SUPPORT	1
31	145 8564 000	SPLIT PIN 3	2
32	9097089000	PIN BRUSH ADJUSTMENT	2
33	9098472000	KIT DECAL FOCUS II	1
34	9097184000	VIBRATION DAMPING M8	1
35	145 0452 000	NUT HEX SELFLOCK M8 SS	1
36	909 6485 000	PLATE BRUSH DECK HOLDER	1
41	909 6355 000	BUMPER ROLLER KIT	1
42	9097093000	HOLDER POLYGONAL KIT	1
43#	909 5380 000	CARBON BRUSH KIT FOR 909 6546 000 (LEROY SOMER)	1
43#	9098376000	CARBON BRUSH KIT FOR 9098308000 (AMER)	1
44	909 6736 000	SPLASH GUARD KIT 530MM/20"	1
	909 6745 000	INSTALLATION INSTRUCTIONS FOR SPLASH GUARD KIT	1

NOTE: # indicates a change has been made since the last publication of this manual - Ref. 43 Udated text

Cylindrical Brush System 20" MACHINE WITH DRIVE - 10/09

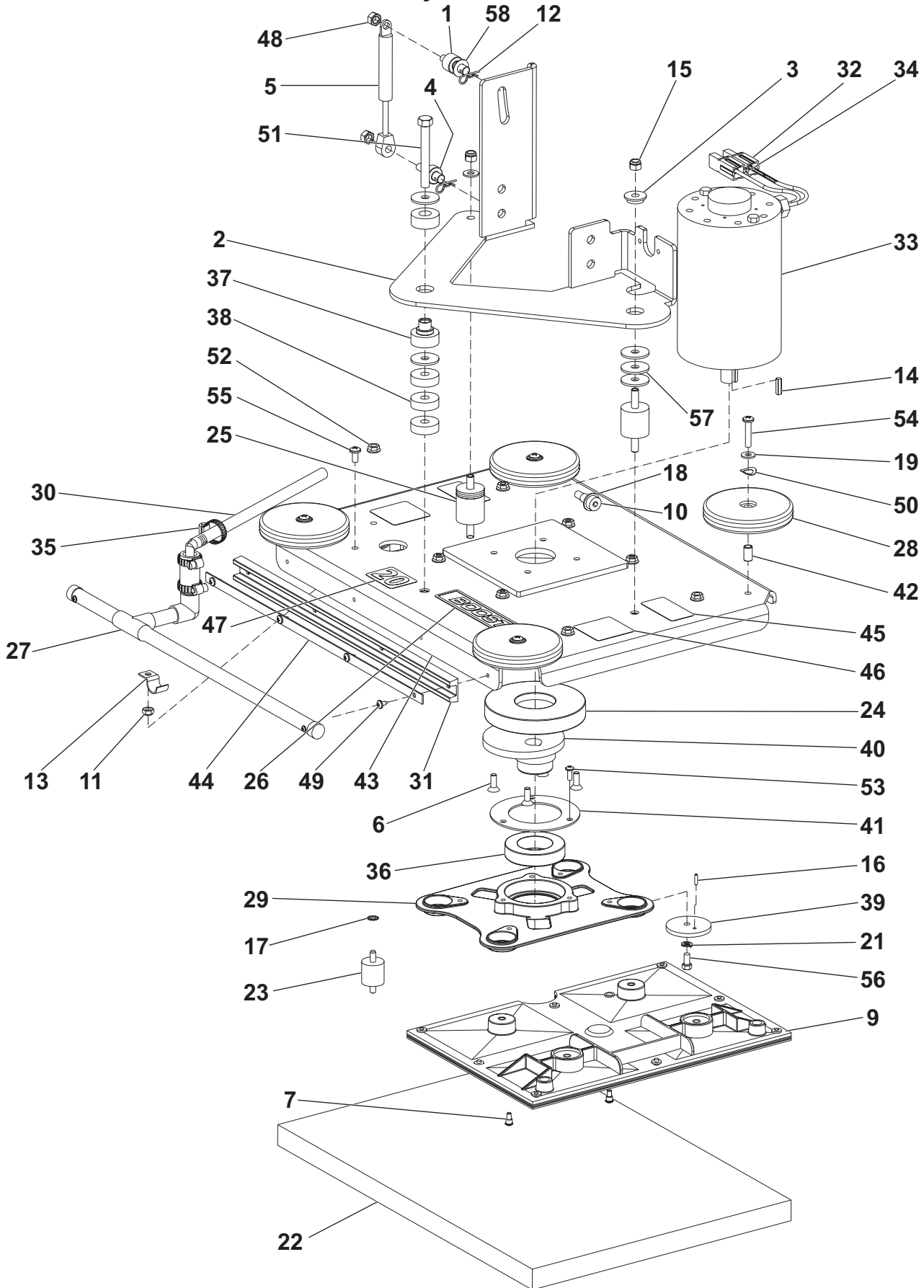


Cylindrical Brush System - 11/11

Ref.	Part No.	Description	Qty
1	909 6854 000	BRUSH DECK 510MM CYL. KIT	1
2	9096983000	REDUCTIONGEARMOT. 300W	2
3#	1464432000	CARBON BRUSH 4 PCS KIT	2
4	909 5805 000	CONTAINER DIRT	1
5	909 5818 000	CRANKCASE BELT PROTECTION LEFT	1
6	909 5817 000	CRANKCASE BELT PROTECTION RIGHT	1
7	146 1851 000	KNOB M8	2
8	909 5820 000	BELT POLY-V	2
9	909 6518 000	FRAME, CYLINDRICAL DECK	1
10	145 4366 000	PIPE HOLDER T Ø12	1
11	909 5772 000	HOSE COPPER	1
30	909 5870 000	HOSE D.10 L=190	1
14	145 8582 000	CLAMP	1
19	909 5516 000	CLAMP,HOSE D.18	2
15	9098489000	SPLASH GUARDS KIT	1
16	9098490000	HARDWARE BELT TENSIONER KIT	1
17	9098491000	HARDWARE CYLINDRICAL DECK KIT	1
18	9098488000	ROLLER BUMPERS KIT	1
19	9098485000	BELT TENSIONER ROLLER KIT	2
20	9098486000	SUPPORT CYLINDRICAL BRUSH KIT	2
21	9098487000	SUPPORT PULLEY CYL.BRUSH KIT	2
22	909 6620 000	HARNES CYL.BRUSH DECK	1

NOTE: # indicates a change has been made since the last publication of this manual

BOOST® Head Assembly 20" - Machine with drive - 11/11

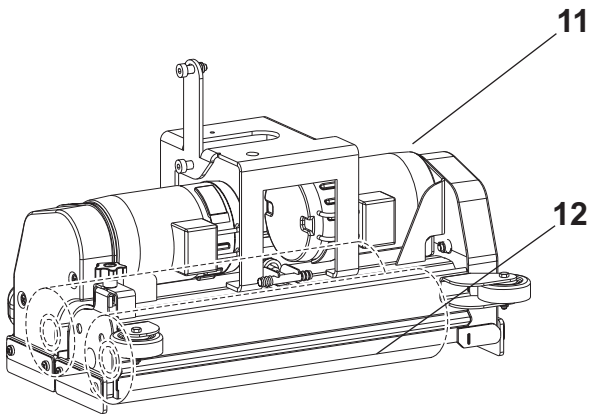
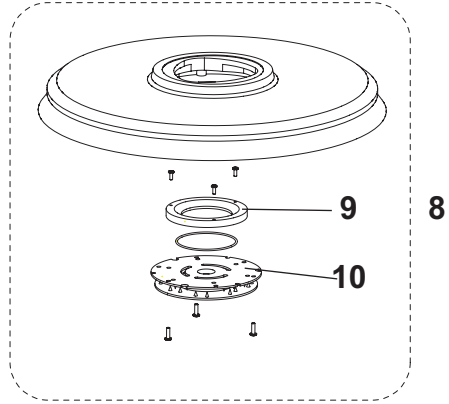
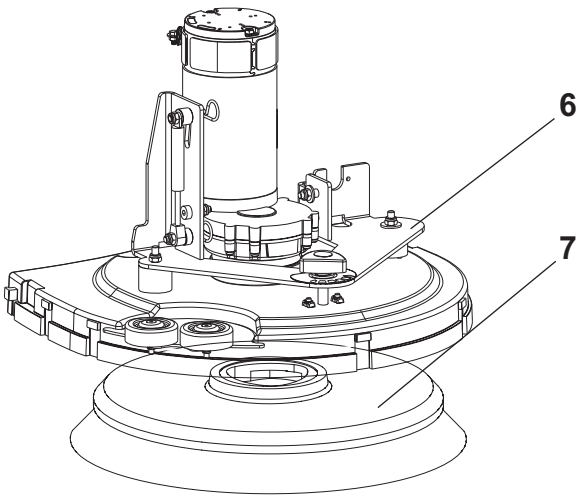
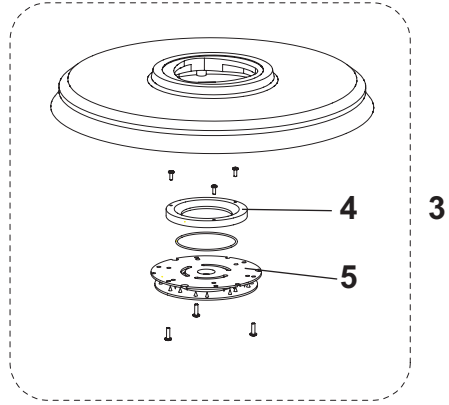
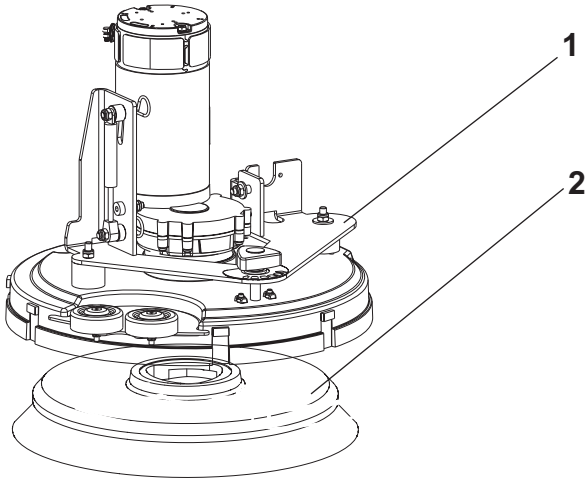


BOOST® Head Assembly 20" - Machine with drive - 11/11

Ref.	Part No.	Description	Qty
1	909 6515 000	PIN, UPPER	1
2	909 6485 000	PLATE BRUSH DECK	1
3	909 6513 000	BUSHING FLANGED	1
4	909 6516 000	PIN, LOWER	1
5	9097077000	SPRING, GAS 200 N	1
6	56001881	SCREW, FLT SOC 1/4-20 X .75	4
7	56381989	SHOULDER BOLT - BOOST	4
9	56380183	FLEX PLATE ASSY	2
10	909 6495 000	SHOULDER SCREW M10 X 16	1
11	81217A	NUT, 1/4-20 HEX ESNA	6
12	145 8564 000	PIN HANDLE, LOCK	2
13	782002	CLAMP, MANIFOLD	2
14	915082	KEY, 3/16 SQ. X 3/4"	1
15#	81211A	NUT, 5/16-18 HEX LOCK	2
16	925589	PIN, ROLL	1
17	980614	WASHER, 1/4" STARLOCK, EXTERNAL	8
18	980645	WASHER 1/4" STARLOCK, EXTERNAL	1
19	980646	WASHER, 1/4" FLAT	4
21	980657	WASHER, LOCK 1/4	1
22	997020	BOOST® 20 RED PAD	1
23	56380190	ISOLATOR - 30 DURO 1/4-20	8
24	56380192	SHIELD BOOST BEARING	1
25#	56380272	ISOLATOR - 50 DURO 5/16 - 18	2
26#	56381702	BOOST LABEL	1
27	11175A	TUBE ASM., DRIP 20"	1
28#	30048A	GUIDE, WHEEL	4
29#	56381491	PLATE, DRIVER	1
30	30786A	HOSE, CLEAR VINYL	1
31	38741A	BUMPER 17"	1
32	40645A	CONNECTOR, HOUSING	2
33#	56390072	MOTOR, 24 VDC	1
*	11055A	BRUSH MOTOR REPLACEMENT KIT	1
34	41601A	CONNECTOR, CONTACT	2
35	50248A	CLAMP, HOSE	1
36	50736A	BEARING	1
37	54446A	UNIVERSAL MOUNT ASSEMBLY	1
38	54641A	SPACER, NYLON 1.25 OD	3
39	61724A	RETAINER, ECCENTRIC	1
40	61753A	ECCENTRIC	1
41	61775A	RETAINER, BEARING	1
42	61782A	SLEEVE, GUIDE WHEEL	4
43#	56381722	PLATE, MAIN, 20" BOOST®	1
44#	61911A	RETAINER, BUMPER 17"	1
45	71017A	LABEL MOVING PARTS	2
46	71192A	LABEL NO STEP	2
47	71458A	LABEL, 20	1
48	80198A	NUT, M8 X 1.25 NYLOCK S.S.	2
49	80296A	SCREW, #10-32 X 50 FH SS CR	4
50	80317A	WASHER, BOWED .455 ID X .740 O.D.	4
51	80379A	SCREW, 3/8-16 X 3" HHCS	1
52	81220A	NUT, SERRATED FLANGE	8
53	84237A	SCREW, 10-32 X .50 PH	3
54	85301A	SCREW, 1/4-20 X 1 1/4 CRPH	4
55	85395A	SCREW, 1/4-20 X 1/2" PH	2
56	85737A	SCREW, 1/4-20 X 1/2 HHCS	1
57	87054A	WASHER, FENDER .375	8
58	88639A	WASHER, NYLON .75 X .406X .32	1

NOTE: # indicates a change has been made since the last publication of this manual - deleted ref. 8 / 20

Accessories



Accessories - 10/07

Ref.	Part No.	Description	Qty
		17" DRIVE	
1	9097150000	BRUSH DECK 17" KIT WITH SPLASH GUARD	1
		17" DRIVE - BRUSHES	
2*	L08812891	BRUSH POLY 17"	1
2*	L08837021	BRUSH POLY LITE 17"	1
2*	909 5691 000	BRUSH LITE GRIT 17"	1
2*	L08837024	BRUSH MED GRIT 17"	1
3*	L08837017	PAD HOLDER 17" COMPLETE	1
4	L08603966	RING NYLON	1
5	L08837030	RETAINER PAD	1

		20" DRIVE	
6	9097149000	BRUSH DECK 20" KIT WITH SPLASH GUARD	1
		20" NO DRIVE, 20" DRIVE - BRUSHES	
7*	L08837025	BRUSH POLY 20"	1
7*	L08837026	BRUSH POLY LITE 20"	1
7*	L08837028	BRUSH LITE GRIT 20"	1
7*	L08837029	BRUSH MED GRIT 20"	1
8*	L08837018	PAD HOLDER 20" COMPLETE	1
9	L08603966	RING NYLON	1
10	L08837030	RETAINER PAD	1

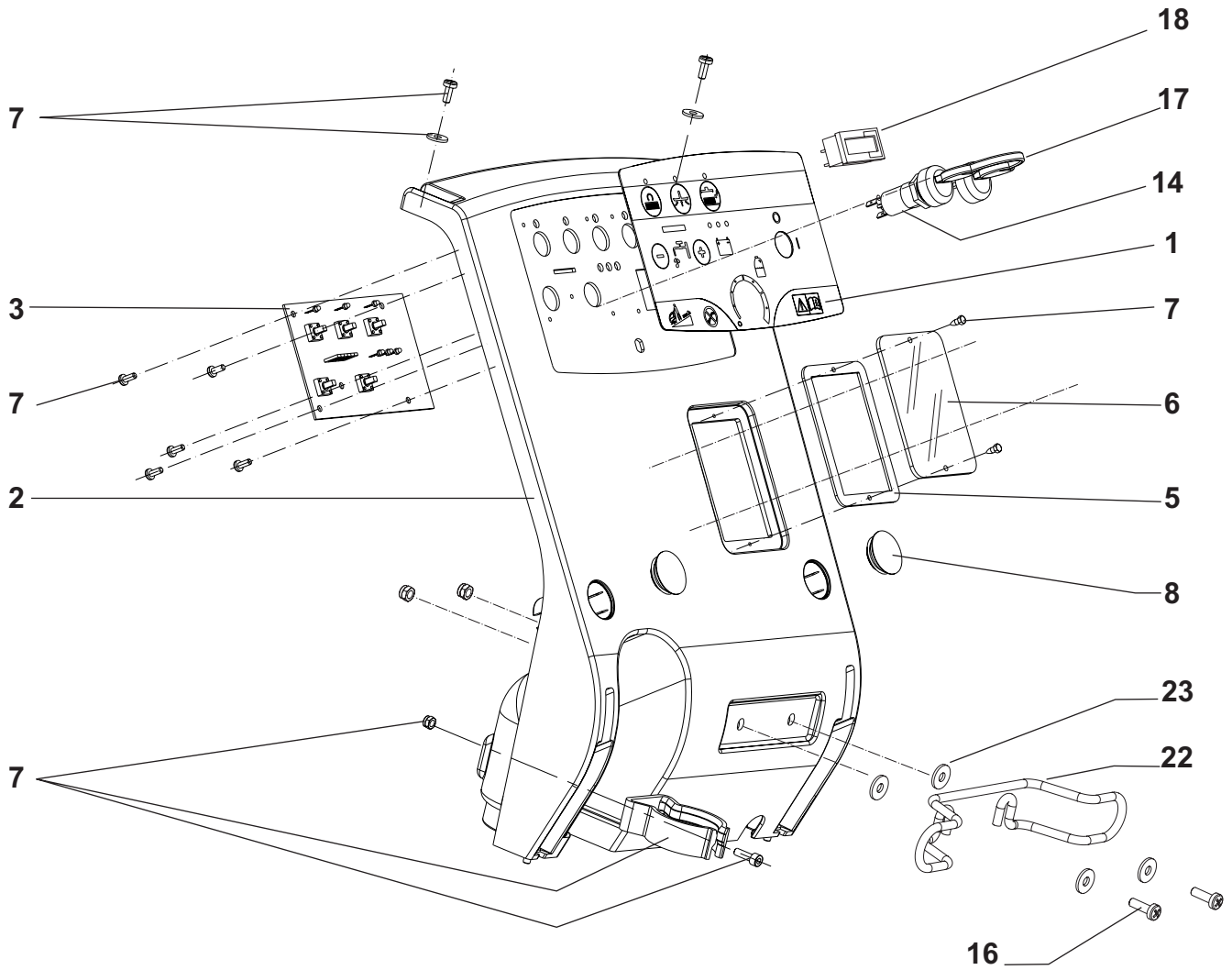
		20" CYL. DRIVE	
11	909 6854 0000	BRUSH DECK CYL. KIT	1
		20" CYL. DRIVE - BRUSHES	
12*	909 5823 000	BRUSH CYL. POLY	2
12*	909 5824 000	BRUSH CYL. POLY PLUS	2
12*	909 5825 000	BRUSH CYL. MED GRIT	2

		SQUEEGEE	
		SQUEEGEE BLADES	
[14]*	909 6858 000	SQUEEGEE BLADES POLYURETHAN KIT 30"	1
[15]*	909 6860 000	SQUEEGEE BLADES NEOPRENE/6MM KIT 30"	1

***BOOST*® Accessories - 10/07**

	Part No.	Description	
	30789A	POLY BRUSH BOOST® 20"	
	30788A	NYLON BRUSH BOOST® 20"	
	30790A	CLEAN GRIT BRUSH BOOST® 20"	
	997023	PADS, CASE OF 5, 14" X 20" WHITE	
	997020	PADS, CASE OF 5, 14" X 20" RED	
	997021	PADS, CASE OF 5, 14" X 20" BLUE	
	997022	PADS, CASE OF 5, 14" X 20" BLACK	
	997024	PADS, CASE OF 10, 14" X 20" MAROON SURFACE PREP PAD	

Control Panel System - 10/09

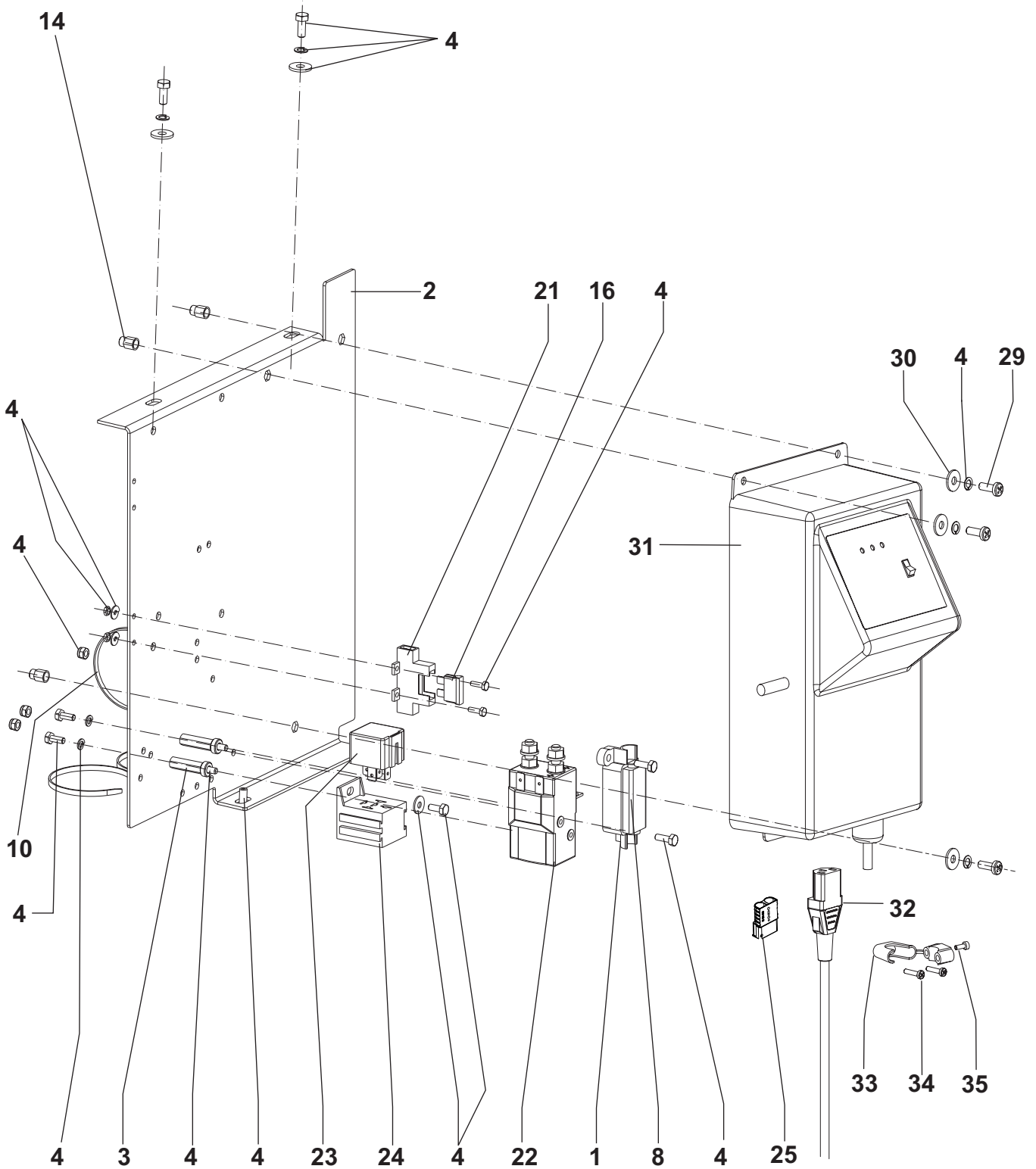


Control Panel System - 10/09

Ref.	Part No.	Description	Qty
1	9097025000	DECAL CONTROL PANEL	1
2	9097072000	COVER ELECTRIC COMPONENTS	1
3	9097042000	CARD ELECTRONIC (FUNCTION BOARD EB1)	1
5	909 6545 000	GASKET	1
6	909 5313 000	PLATE INSPECTION TRANSPARENT	1
7	9098302000	HARDWARE CONTROL PANEL KIT	1
8	L08812365	CAP, BLACK	2
14	146 2888 000	SWITCH KEY WITH CAP	1
16	146 2090 000	SCREW M5X16 UNI7687	2
17	146 2887 000	KEY	1
18	9096951000	METER HOUR 24V	1
[19]	9096952000	INSTRUCTIONS FOR METER HOUR KIT	1
[20]	145 8368 000	FUSE 3A	2
[21]	909 6678 000	FUSE 20A	1
22	909 5149 000	SUPPORT CABLE	1
23	145 1261 000	WASHER 5X15X1,5 UNI6593	4

NOTE: # indicates a change has been made since the last publication of this manual

Electrical Components FOCUS II no Drive - 10/09



Electrical Components FOCUS II no Drive - 04/10

Ref.	Part No.	Description	Qty
1	145 8046 000	HOLDER FUSE	1
2	909 6498 000	SUPPORT,ELECTRONIC COMP.	1
3	909 6676 000	SPACER M4 L25	2
4	9098303000	HARDWARE ELECTRIC SYSTEM KIT	2
8	145 3824 000	STRIP FUSE 40A	1
10	145 1449 000	CLAMP	3
14	145 6132 000	INSERT M5	3
16	145 8513 000	FUSE 30A	1
21	146 0660 000	HOLDER FUSE	1
22	909 5127 000	SWITCH ELECTROMAGNETIC (BRUSH)	1
23	909 6622 000	RELAY 24V 40A (VACS)	1
24	9097034000	HARNESS ELECTRIC BOX (MAIN TO CONTROLLERS)	1
25	146 1986 000	BATTERY CONNECTOR	1
[26]	9097038000	MACHINE HARNESS	1
[27]	909 6613 000	HARNESS VACUUM MOTOR	1
[28]	9097565000	BATTERY HARNESS	1
29	146 1711 000	SCREW M5X20 UNI7687	3
30	33005912	WASHER M5 UNI6592	3
31	9098296000	CHARGER BATTERY 24V 13A	1
32	9096914000	CABLE EXTENSION	1
33	L08338600	CAP BRACKET	1
34	L08603668	SCREW 4X14	2
35	146 1788 000	SCREW M4X12 UNI5931	1

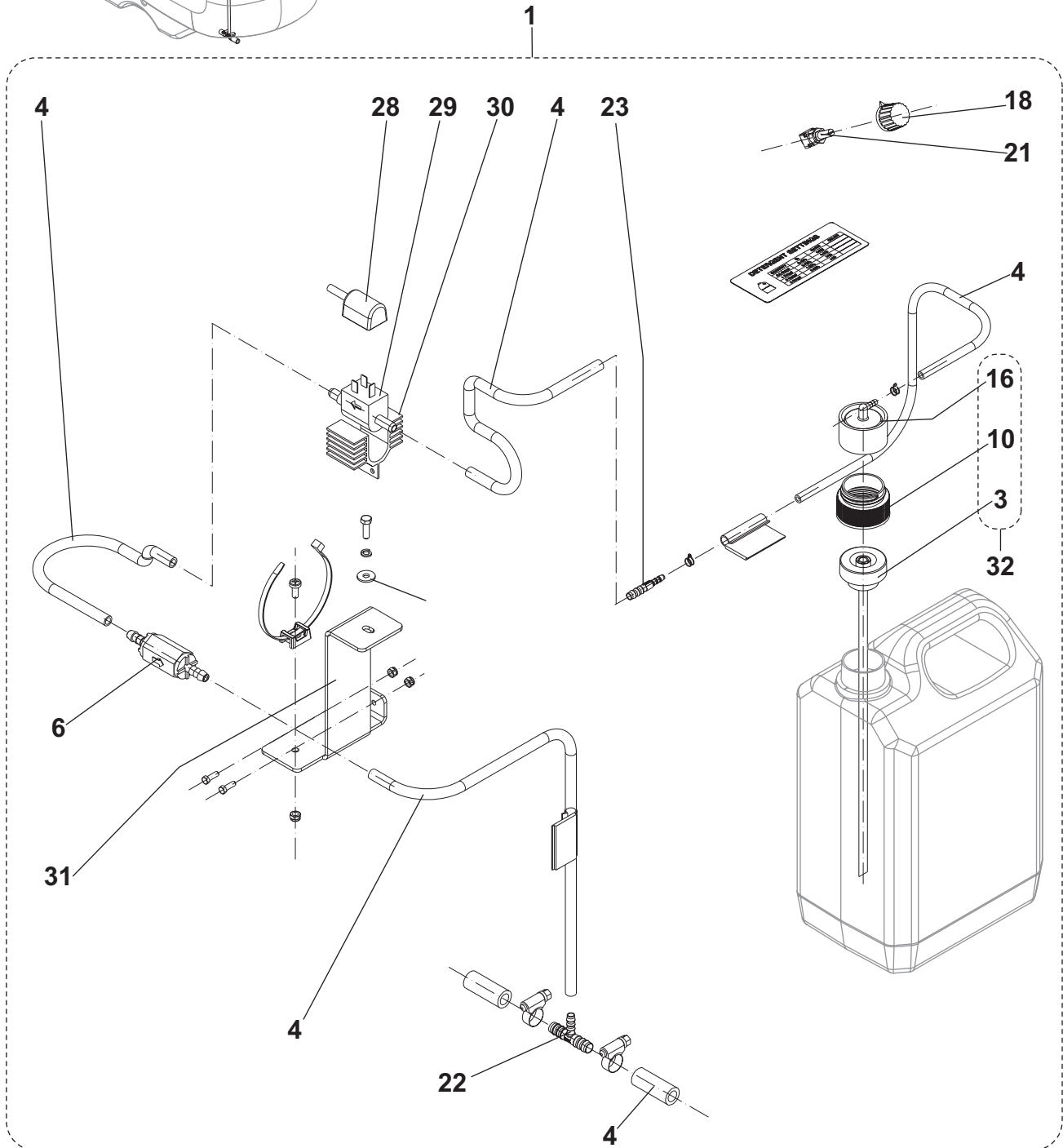
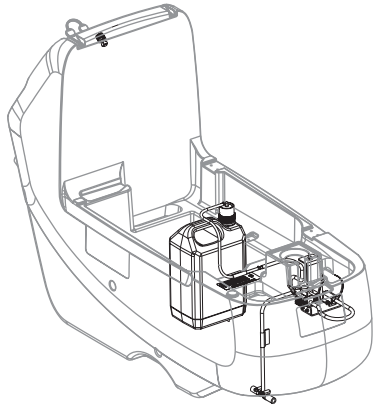
NOTE: # indicates a change has been made since the last publication of this manual

Electrical Components FOCUS II Drive - 11/11

Ref.	Part No.	Description	Qty
1	145 8046 000	HOLDER FUSE	1
2	909 6498 000	SUPPORT,ELECTRONIC COMP.	1
3	909 6676 000	SPACER M4 L25	2
4	9098303000	HARDWARE ELECTRIC SYSTEM KIT	2
8	145 8513 000	FUSE 30A	2
10	145 1449 000	CLAMP	3
14	145 6132 000	INSERT M5	3
16	145 3824 000	STRIP FUSE 40A	1
19	146 1986 000	BATTERY CONNECTOR	1
21	146 0660 000	HOLDER FUSE	2
22	909 5127 000	SWITCH ELECTROMAGNETIC	1
23	9096908000	CARD,ELECTRONIC TRACTION (EB2)	1
24	909 6622 000	RELAY 24V 40A	1
25	9096964000	HARNESS ELECTRIC BOX (MAIN TO CONTROLLERS)	1
[26]#	9098864000	MACHINE HARNESS	1
[27]	909 6613 000	HARNESS VACUUM MOTOR	1
[28]	9097565000	BATTERY HARNESS	1
29	146 1711 000	SCREW M5X20 UNI7687	3
30	33005912	WASHER M5 UNI6592	3
31	9098296000	CHARGER BATTERY 24V 13A	1
32	9096914000	CABLE EXTENSION	1
33	L08338600	CAP BRACKET	1
34	L08603668	SCREW 4X14	2
35	146 1788 000	SCREW M4X12 UNI5931	1

NOTE: # indicates a change has been made since the last publication of this manual

Chemical Mixing System - 04/10

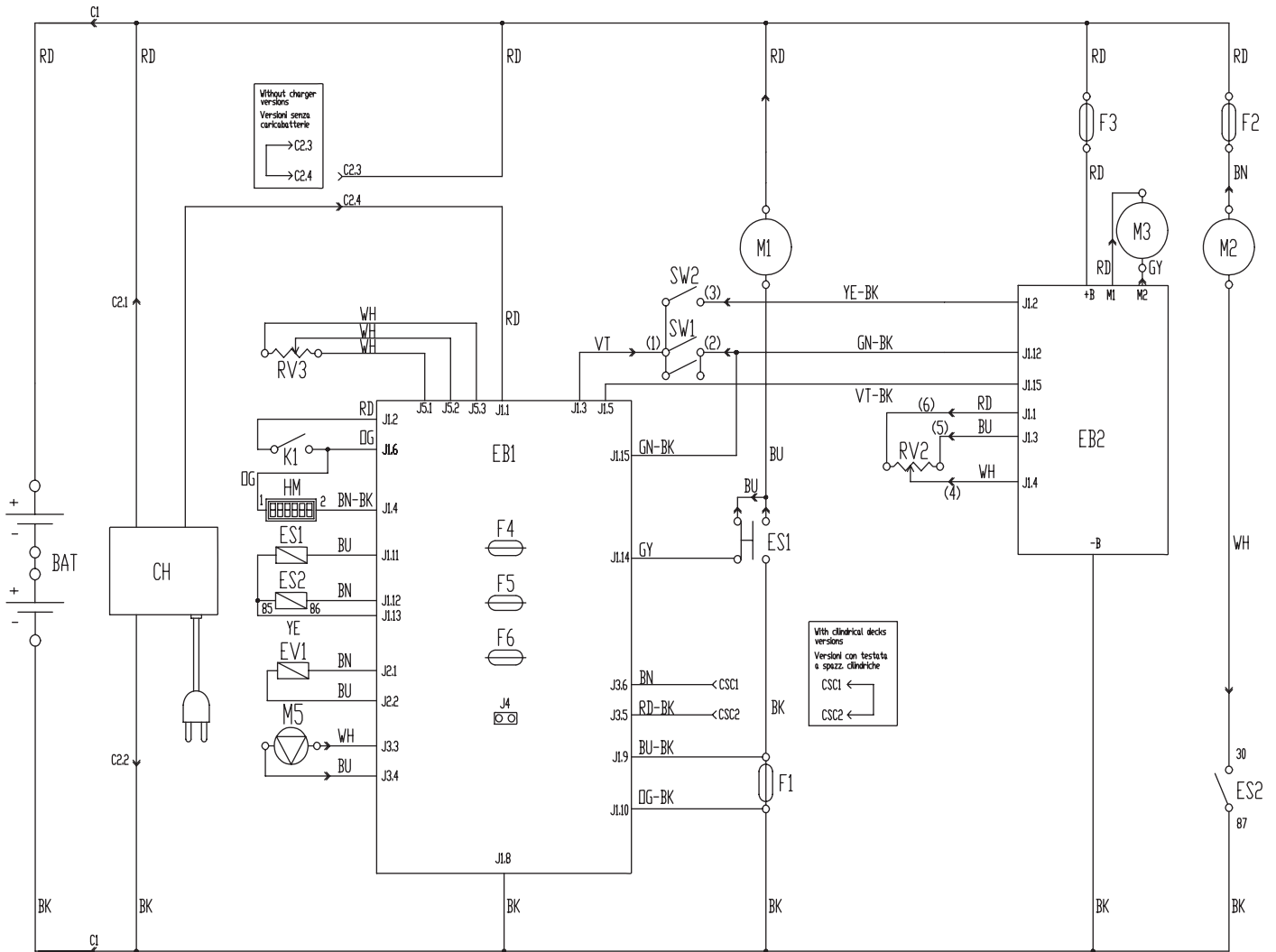


Chemical Mixing System - 04/10

Ref.	Part No.	Description	Qty
1*	9097160000	CHEMICAL MIXING SYSTEM KIT	1
	9097159000	INSTALLATION INSTRUCTIONS CHEMICAL MIXING SYSTEM	1
3		SYPHON HOSE VALVE (SEE ADAPTER CAP ASSY)	1
4	9097175000	CHEMICAL MIXING SYSTEM HOSE KIT	1
6	9097030000	VALVE ONE-WAY 1/4"	1
10		ADAPTER (SEE ADAPTER CAP ASSY)	1
16		CAP DRY BREAK (SEE ADAPTER CAP ASSY)	1
18	145 4719 000	KNOB F/POTENTIOMETER	1
21	909 6076 000	POTENTIOMETER 50K	1
22	909 6092 000	HOLDER RUBBER T	1
23	909 6090 000	HOLDER RUBBER STRAIGHT	1
28	9097041000	CABLE CHEMICAL PUMP	1
29	53721A	PUMP CHEMICAL MIX	1
30	61772A	BRACKET PUMP	1
31	9097084000	BRACKET PUMP SUPPORT	1
32	54778A	ADAPTER CAP ASSY (3-10-16)	1

NOTE: # indicates a change has been made since the last publication of this manual

Wiring Diagram FOCUS II Drive



WIRING DIAGRAM

9097074000

COMPONENTS / COMPONENTI					
BAT	24V BATTERIES	BATTERIE 24V	K1	KEY SWITCH	CHIAVE
C1	BATTERY CONNECTOR	CONNETTORE BATTERIE	M1	BRUSH MOTOR	MOTORE SPAZZOLA
C2	CHARGER CONNECTOR	CONNETTORE CARICABATTERIE	M2	VACUUM MOTOR	MOTORE ASPIRATORE
CH	BATTERY CHARGER (OPT)	CARICABATTERIE (OPT)	M3	DRIVE MOTOR	MOTORE TRAZIONE
CSC	CILINDRICAL DECK SECONDARY CONNECTOR	CONN. SECONDARIO TESTATA SPAZZ. CILINDRICHE	M5	DETERGENT PUMP (OPT)	POMPA DETERGENTE (OPT)
EB1	CONTROL PANEL BOARD	SCHEDA ELETTRONICA CONTROLLO FUNZIONI	RV2	MAX SPEED POTENTIOMETER	POTENZIOMETRO VELOCITA' MASSIMA
EB2	DRIVE ELECTRONIC BOARD	SCHEDA ELETTRONICA TRAZIONE	RV3	DETERGENT % POTENTIOMETER (OPT)	POTENZIOMETRO % DETERGENTE (OPT)
ES1	BRUSH MOTOR ELECTROM. SWITCH	TELERUTTORE MOTORI SPAZZOLE	SW1	BRUSHES / DRIVE BUTTONS	PULSANTI CONSENSO SPAZZOLE/TRAZIONE
ES2	VACUUM MOTOR ELECTROM. SWITCH	RELE' ASPIRATORE	SW2	REV. GEAR BUTTON	PULSANTE MARCIA INDIETRO
EV1	ELECTROVALVE	ELETTROVALVOLA			
F1	BRUSH DECK FUSE	FUSIBILE TESTATA SPAZZOLE			
F2	VACUUM MOTOR FUSE	FUSIBILE ASPIRATORE			
F3	DRIVE SYSTEM FUSE	FUSIBILE SISTEMA DI TRAZIONE			
F4	LOW POWER CIRCUIT FUSE	FUSIBILE CIRCUITI DI SEGNALE			
F5	BRUSH RELEASE FUSE	FUSIBILE SGANCIO SPAZZOLE			
F6	PUMP FUSE	FUSIBILE POMPE			
HM	HOURLMETER (OPT)	CONTADRE (OPT)			

Recommended Spare Parts - 11/11

Ref.	PART DESCRIPTION	QTY	FOCUS® II MODELS
SOLUTION TANK			
909 6521 000	SOLUTION HOSE	1	L17 - S20 - L20 - L20 Cyl. - BOOST® L20
L08812457	CAP	1	L17 - S20 - L20 - L20 Cyl. - BOOST® L20
909 6554 000	SOLUTION CAP WITH CHAIN AND GASKET	1	L17 - S20 - L20 - L20 Cyl. - BOOST® L20
909 6874 000	TANK CABLE KIT	1	L17 - S20 - L20 - L20 Cyl. - BOOST® L20
9098265000	SOLUTION TANK HARDWARE KIT	1	L17 - S20 - L20 - L20 Cyl. - BOOST® L20
RECOVERY TANK			
9097069000	HOSE SQUEEGEE VACUUM BLACK	1	L17 - S20 - L20 - L20 Cyl. - BOOST® L20
# 9099166000	HOSE DRAIN BLACK	1	L17 - S20 - L20 - L20 Cyl. - BOOST® L20
L08812259	CAGE, FLOAT	2	L17 - S20 - L20 - L20 Cyl. - BOOST® L20
L08812373	BALL FLOAT	1	L17 - S20 - L20 - L20 Cyl. - BOOST® L20
145 0543 000	HOSE CLAMP	2	L17 - S20 - L20 - L20 Cyl. - BOOST® L20
909 6876 000	HARDWARE TANK FIXING KIT	1	L17 - S20 - L20 - L20 Cyl. - BOOST® L20
909 6877 000	HARDWARE MOTOR FIXING KIT	1	L17 - S20 - L20 - L20 Cyl. - BOOST® L20
CHASSIS SYSTEM			
909 6879 000	WHEEL CASTOR SS KIT	1	L17 - S20 - L20 - L20 Cyl. - BOOST® L20
909 6880 000	WHEEL CASTOR KIT	1	S20
909 6878 000	CHASSIS SYSTEM HARDWARE KIT	1	L17 - S20 - L20 - L20 Cyl. - BOOST® L20
DRIVE WHEEL SYSTEM			
9097087000	WHEEL DRIVE D.250 BLUE	2	L17 - L20 - L20 Cyl. - BOOST® L20
909 6548 000	MOTOR DRIVE 24V 200W	1	L17 - L20 - L20 Cyl. - BOOST® L20
9097085000	WHEEL FRONT D.250 BLUE	2	S20
145 5124 000	CARBON BRUSH MOTOR TRACTION	2	L17 - L20 - L20 Cyl. - BOOST® L20
SQUEEGEE SYSTEM			
909 6055 000	FRONT STRAP	2	L17 - S20 - L20 - L20 Cyl. - BOOST® L20
909 6044 000	WELDMENT SQUEEGEE TOOL	1	L17 - S20 - L20 - L20 Cyl. - BOOST® L20
9097637000	SQUEEGEE FIXING KIT	2	L17 - S20 - L20 - L20 Cyl. - BOOST® L20
909 6551 000	KNOB 8X30 SS	1	L17 - S20 - L20 - L20 Cyl. - BOOST® L20
909 6858 000	SQUEEGEE BLADES PU KIT	1	L17 - S20 - L20 - L20 Cyl. - BOOST® L20
9097195000	SQUEEGEE CPL ALU KIT 30" WITH POLY. BLADES	1	L17 - S20 - L20 - L20 Cyl. - BOOST® L20
909 6882 000	FIXING SQUEEGEE KIT	1	L17 - S20 - L20 - L20 Cyl. - BOOST® L20
909 6883 000	SQUEEGEE WHEEL KIT	1	L17 - S20 - L20 - L20 Cyl. - BOOST® L20
909 6884 000	SQUEEGEE BUMPER ROLLER KIT	1	L17 - S20 - L20 - L20 Cyl. - BOOST® L20
909 6885 000	HARDWARE SQUEEGEE FIXING KIT	1	L17 - S20 - L20 - L20 Cyl. - BOOST® L20
BRUSH SYSTEMS			
9097150000	BRUSH DECK 17" KIT W/ SPLASHGUARD	1	L17
9097149000	BRUSH DECK 20" KIT W/ SPLASHGUARD	1	L20
9097079000	BRUSH DECK 17" BLACK	1	S20
9097078000	BRUSH DECK 20" BLACK	1	S20 - L20
# 909 5637 000	GAS SPRING (EXTRA PRESSURE)	1	S20 - L20
# 9098308000	REDUCTIONGEARMOTOR 450W	1	S20 - L20
909 6355 000	ROLLER BUMPER KIT	1	S20 - L20
L08601624	FITTING 1/4	1	S20 - L20
9097184000	VIBRATION DAMPING	1	S20 - L20
145 8564 000	SPLIT PIN	2	S20 - L20
CYLINDRICAL BRUSH SYSTEM			
9098488000	ROLLER BUMPER KIT	1	L20 Cyl.
145 4366 000	TEE FITTING	1	L20 Cyl.
909 5772 000	WATER HOSE	1	L20 Cyl.
909 5805 000	HOPPER CYLYNDRICAL DECK	1	L20 Cyl.
9096983000	REDUCTION GEARMOTOR 300W 24V	2	L20 Cyl.
909 5820 000	BELT POLY-V	2	L20 Cyl.
909 5870 000	HOSE D.10 L=190	1	L20 Cyl.
9098486000	SUPPORT CYL.BRUSH KIT	1	L20 Cyl.
9098487000	SUPPORT PULLEY KIT	1	L20 Cyl.
909 6854 000	BRUSH DECK 510MM CYL. KIT	1	L20 Cyl.

Recommended Spare Parts - 11/11

Ref.	PART DESCRIPTION	QTY	FOCUS® II MODELS
CONTROL PANEL SYSTEM			
9096951000	METER HOUR 24V	1	L17 - S20 - L20 - L20 Cyl. - BOOST® L20
146 2888 000	ON/OFF KEY SWITCH WATERPROOF	1	L17 - S20 - L20 - L20 Cyl. - BOOST® L20
ELECTRICAL SYSTEMS			
9097042000	CARD ELECTRONIC	1	L17 - S20 - L20 - L20 Cyl. - BOOST® L20
9096908000	CARD ELECTRONIC TRACTION	1	L17 - L20 - L20 Cyl. - BOOST® L20
909 5127 000	SWITCH ELECTROMAGNETIC 24V	1	L17 - S20 - L20 - L20 Cyl. - BOOST® L20
909 6622 000	RELAY 24V 40A	1	L17 - S20 - L20 - L20 Cyl. - BOOST® L20
145 3824 000	FUSE STRIP 40A	1	L17 - S20 - L20 - L20 Cyl. - BOOST® L20
145 8513 000	FUSE BLADE 30A UL	1	L17 - S20 - L20 - L20 Cyl. - BOOST® L20
145 8368 000	FUSE 3A	1	L17 - S20 - L20 - L20 Cyl. - BOOST® L20
909 6678 000	FUSE 20A GLASS DELAYED	1	L17 - S20 - L20 - L20 Cyl. - BOOST® L20
9097043000	POTENTIOMETER	1	L17 - L20 - L20 Cyl. - BOOST® L20
# 9099401000	MOTOR VACUUM	1	L17 - S20 - L20 - L20 Cyl. - BOOST® L20
909 6491 000	VACUUM MOTOR PANEL ACOUSTIC INSULATION	1	L17 - S20 - L20 - L20 Cyl. - BOOST® L20
909 6490 000	GASKET VACUUM MOTOR for vac motor 909 6802 000	1	L17 - S20 - L20 - L20 Cyl. - BOOST® L20
9098056000	GASKET VACUUM MOTOR		
9096918000	GASKET VACUUM MOTOR for vac motor 909 6802 000	1	L17 - S20 - L20 - L20 Cyl. - BOOST® L20
9098057000	GASKET VACUUM MOTOR		
909 6672 000	VACUUM MOTOR 24V FAN SCREEN	1	L17 - S20 - L20 - L20 Cyl. - BOOST® L20
9098296000	BATTERY CHARGER 24V 13A 100-240V 50/60HZ	1	L17 - S20 - L20 - L20 Cyl. - BOOST® L20
40606A	BATTERY 12V 130AH WET	1	L17 - S20 - L20 - L20 Cyl. - BOOST® L20
41034A	BATTERY 12V 114AH AGM	1	L17 - S20 - L20 - L20 Cyl. - BOOST® L20
ACCESSORIES			
53391A	CBMS (CLARKE BATTERY MAINTENANCE SYSTEM)	1	L17 - S20 - L20 - L20 Cyl. - BOOST® L20
9097160000	CHEMICAL MIX KIT	1	L17 - S20 - L20 - L20 Cyl. - BOOST® L20
9097175000	PIPES CHEMICAL MIX KIT	1	L17 - S20 - L20 - L20 Cyl. - BOOST® L20
L08812891	BRUSH POLY 17"	1	L17
L08837021	BRUSH POLY LITE 17"	1	L17
909 5691 000	BRUSH LITE GRIT 17"	1	L17
L08837024	BRUSH MED GRIT 17"	1	L17
L08837017	PAD HOLDER 17" COMPLETE	1	L17
L08837025	BRUSH POLY 20"	1	S20 - L20
L08837026	BRUSH POLY LITE 20"	1	S20 - L20
L08837028	BRUSH LITE GRIT 20"	1	S20 - L20
L08837029	BRUSH MED GRIT 20"	1	S20 - L20
L08837018	PAD HOLDER 20" COMPLETE	1	S20 - L20
909 5823 000	BRUSH CYL. POLY	2	L20 Cyl.
909 5824 000	BRUSH CYL. POLY PLUS	2	L20 Cyl.
909 5825 000	BRUSH CYL. MED. GRIT	2	L20 Cyl.
909 6900 000	WHEEL CASTOR	1	L17 - S20 - L20 - L20 Cyl. - BOOST® L20
L08837030	RETAINER PAD	1	L17 - S20 - L20

Clarke[®]

14600 21st Avenue North
Plymouth, MN 55447-3408

www.clarkeus.com

Phone: 800-253-0367

Fax: 800-825-2753

©2011 Nilfisk-Advance, Inc.

A Nilfisk-Advance Brand