

# Clarke®

**FOCUS**

**S28 / L28 WB**

**S33 / L33 WB**

**S38 / L38 WB**



## **Operator's Manual Manuel d'utilisation Libro de Instrucciones**

U.S. Patent No. 6,760,947; No. 6,105,192; No. RE39,581 (Deluxe Machines); & Patent Pending  
Canada Patent No. 2,353,279 (Deluxe Machines)

**READ THIS BOOK**

**LEA ESTE MANUAL**

**LISEZ CE MANUEL**

**EN**

**English (2 - 31)**

**ES**

**Español (32 - 61)**

**FR**

**Français (62 - 91)**

This book has important information for the use and safe operation of this machine. Failure to read this book prior to operating or attempting any service or maintenance procedure to your Clarke machine could result in injury to you or to other personnel; damage to the machine or to other property could occur as well. You must have training in the operation of this machine before using it. If your operator(s) cannot read this manual, have it explained fully before attempting to operate this machine.

All directions given in this book are as seen from the operator's position at the rear of the machine.

For new books write to: Clarke®, 2100 Highway 265, Springdale, Arkansas 72764.


**Table of Contents**

Operator Safety Instructions ..... 3  
 Introduction ..... 5  
 Machine Specifications ..... 5  
 Procedures For Transporting ..... 7  
 Symbols Used On S28, S33, S38 ..... 8  
 Symbols Used On L28, L33, L38 ..... 9  
 Machine Control Panel S28, S33, S38 ..... 10  
 Machine Control Panel L28, L33, L38 ..... 12  
 Display Screen For L28, L33, L38 ..... 14  
 Machine Controls and Features ..... 15  
 How To Prepare The Machine For Operation ..... 16  
 How To Operate The Machine ..... 20  
 Maintenance ..... 23  
 How To Correct A Problem ..... 28  
 Common Error Codes (Focus L28/L33/L38) ..... 29  
 Accessories ..... 30


**Section II Parts and Service Manual**


Solution Tank Assembly ..... 92  
     Parts List ..... 93  
 Recovery Tank Assembly ..... 94  
     Parts List ..... 95  
 Electrical Panel Assembly S28, S33, S38 ..... 96  
     Parts List ..... 97  
 Electrical Panel Assembly L28, L33, L38 ..... 98  
     Parts List ..... 99  
 Control Panel Assembly ..... 100  
     Parts List ..... 101  
 Squeegee Swing Arm Assembly ..... 102  
     Parts List ..... 103  
 Squeegee Swing Arm Assembly ..... 104  
     Parts List ..... 105  
 Traverse System Assembly ..... 106  
     Parts List ..... 107  
 Brush Head Assembly ..... 108  
     Parts List ..... 109  
 Brush Motor ..... 110  
 Gearbox ..... 112  
 Imperial Transaxle Parts ..... 113  
 Control Panel Connection Diagram S28/S33/S38 ..... 114  
 Front of Machine Connection Diagram S28/S33/S38 ..... 114  
 Control Panel Connection Diagram L28/L33/L38 ..... 115  
 Front of Machine Connection Diagram L28/L33/L38 ..... 115  
 Electrical Plate Connection Diagram S28/S33/S38 ..... 116  
 Electrical Plate Connection Diagram L28/L33/L38 ..... 117  
 Control Housing Connection Diagram ..... 118  
 Electrical Schematic S28/S33/S38 ..... 119  
 Electrical Schematic (Top) L28/L33/L38 ..... 120  
 Electrical Schematic (Bottom) L28/L33/L38 ..... 121


## OPERATOR SAFETY INSTRUCTIONS


 **DANGER:** Failure to read and observe all **DANGER** statements could result in severe bodily injury or death. Read and observe all **DANGER** statements found in your Owner's Manual and on your machine.


 **WARNING:** Failure to read and observe all **WARNING** statements could result in injury to you or to other personnel; property damage could occur as well. Read and observe all **WARNING** statements found in your Owner's Manual and on your machine.


 **CAUTION:** Failure to read and observe all **CAUTION** statements could result in damage to the machine or to other property. Read and observe all **CAUTION** statements found in our Owner's Manual and on your machine.


 **DANGER:** Failure to read the Owner's Manual prior to operating or attempting any service or maintenance procedure to your Clarke machine could result in injury to you or to other personnel; damage to the machine or to other property could occur as well. You must have training in the operation of this machine before using it. If your operator(s) cannot read English, have this manual explained fully before attempting to operate this machine.


 **DANGER:** Operating a machine that is not completely or fully assembled could result in injury or property damage. Do not operate this machine until it is completely assembled. Inspect the machine carefully before operation.


 **DANGER:** Machines can cause an explosion when operated near flammable materials and vapors. Do not use this machine with or near fuels, grain dust, solvents, thinners, or other flammable materials. This machine is not suitable for picking up hazardous dust.


 **DANGER:** Lead acid batteries generate gases which can cause an explosion. Keep sparks and flames away from batteries. Do not smoke around the machine. Charge the batteries only in an area with good ventilation. Make sure that you unplug the AC charger from the wall outlet before operating the machine.


 **DANGER:** Working with batteries can be dangerous! Always wear eye protection and protective clothing when working near batteries. Remove all jewelry. Do not put tools or other metal objects across the battery terminals, or the tops of the batteries.


 **DANGER:** Using a charger with a damaged power cord could result in an electrocution. Do not use the charger if the power cord is damaged.

 **WARNING:** Operating this machine from anywhere other than the back of the machine could result in injury or damage. Operate this machine only from the rear.

 **WARNING:** This machine is heavy. Get assistance before attempting to transport or move it. Use two able persons to move the machine on a ramp or incline. Always move slowly. Do not turn the machine on a ramp. If operating machine on a gradient over 2%, do not stop, turn or park. Read the "Procedures For Transporting" in this manual before transporting.

 **WARNING:** Machines can topple over if guided over the edges of stairs or loading docks and cause injury or damage. Stop and leave this machine only on a level surface. When you stop the machine, turn the key "OFF". Set the parking brake.

 **WARNING:** Maintenance and repairs performed by unauthorized personnel could result in damage or injury. Maintenance and repairs must be performed by authorized Clarke personnel only.

 **WARNING:** Any alterations or modifications of this machine could result in damage to the machine or injury to the operator or other bystanders. Alterations or modifications not authorized by the manufacturer voids any and all warranties and liabilities.



**WARNING:** Electrical components of this machine can "short-out" if exposed to water or moisture. Keep the electrical components of the machine dry. Wipe the machine down after each use. For storage, keep the machine in a dry building.



**WARNING:** Operating a machine without observing all labels and instructional information could result in injury or damage. Read all machine labels before attempting to operate. Make sure all of the labels and instructional information are attached or fastened to the machine. Get replacement labels and plates from your Clarke distributor.



**WARNING:** Wet floor surfaces can be slippery. Water solutions or cleaning materials used with this type of machine can leave wet areas on the floor surface. These areas can cause a dangerous condition for the operator or other persons. Always put "Caution" signs around/near the area you are cleaning.



**WARNING:** Improper discharge of waste water may damage the environment and be illegal. The United States Environmental Protection Agency has established certain regulations regarding discharge of waste water. Also, city and state regulations regarding this discharge may be in your area. Understand and follow the regulations in your area. Be aware of the environmental hazards of chemicals that you dispose.



**CAUTION:** Use of this machine to move other objects or to climb on could result in injury or damage. Do not use this machine as a step or furniture. Do not ride on this machine.



**CAUTION:** Your machine warranty will be voided if anything other than genuine Clarke parts are used on your machine. Always use Clarke parts for replacement.

## Introduction

### Introduction:

Clarke's newly designed Focus 38, 33, and 28 automatic scrubbers are efficient and superior floor cleaning machines. The Focus 38 uses two brushes or pads to scrub a path 38 inches wide. The Focus 33 uses two brushes or pads to scrub a path 33 inches wide. The Focus 28 uses two brushes or pads to scrub a path 28 inches wide. A squeegee wipes the floor while the vacuum motor removes the dirty solution from the floor - all in one pass.

The Focus 38, 33, 28 automatic scrubbers come complete with six - 6 volt batteries, five battery connector cables, two battery cables, one battery charger, either two brushes or two pad drivers, and one operator's manual.

## Machine Specifications

### SPECIFICATIONS:

Model	S38	S33	S28
Motor, Vac	1 HP (.74kw) three stage tangential discharge	1HP (.74kw) three stage tagential discharge	1HP (.74kw) three stage tagential discharge Power
Supply	36 volt (6-6V batteries) 250AH, 330AH	36 volt (6-6V batteries) 250AH, 330AH	36 volt (6-6V batteries) 250AH, 330AH
Solution Tank	30 gallon (114 liter)	30 gallon (114 liter)	30 gallon (114 liter)
Recovery Tank	30 gallon (114 liter)	30 gallon (114 liter)	30 gallon (114 liter)
Motors, Brush (2)	1 hp PM (.74kw)	1 hp PM (.74kw)	1 hp PM (.74kw)
Motor Traction	.50 hp PM (.37kw)	.50 hp PM (.37kw)	.50 hp PM (.37kw)
Brushes (2)	19 inch (48cm) w/.5" (1.5cm) overlap	17 inch (43cm) w/.5" (1.5 cm) overlap	14 inch (36cm) w/.5" (1.5 cm) overlap
Brush Speed	200 rpm	200 rpm	200 rpm
Brush Pressure	Variable 150 lbs. - 220 lbs.	Variable 150 lbs. - 220 lbs.	Variable 150 lbs. - 220 lbs.
Speed, Forward	Variable to 230 ft./min.	Variable to 230 ft./min.	Variable to 230 ft./min.
Speed, Reverse	Variable to 180 ft./min.	Variable to 180 ft./min.	Variable to 180 ft./min.
Charger	36V, 21A, 115V/60hz	36V, 21A, 115V/60hz	36V, 21A, 115V/60hz
Length	68.28 inches (173 cm)	67 inches (170 cm)	65.0 inches (165 cm)
Width - Machine	40.33 inches (102 cm)	35.70 inches (91 cm)	30.0 inches (76 cm) Height
43.75 inches (112cm)	43.75 inches (112 cm)	43.75 inches (112 cm)	Cleaning Rate 42,000
sq ft/hr	35,000 sq ft/hr	29,700 sq ft./hr	(3,901
sq. m/hr)	(3,252 sq. m/hr)	(2,750 sq ft./hr)	Cleaning Swath
38 inch (97 cm)	33 inch (84 cm)	28 inch (71 cm)	Grade Cleaning
6° Incline	6° Incline	6° Incline	
Weight w/Batteries (330AH)	1025 lbs. 465kg	1015 lbs. 460kg	1005 lbs. 456kg
Shipping Weight w/batteries (330AH)	1328 lbs. 602kg	1318 lbs. 598kg	1308 lbs. 593kg
Noise	76.5 dBA	76.5 dBA	76.5 dBA
Vibration	<2.5 m/s <sup>2</sup>	<2.5 m/s <sup>2</sup>	<2.5 m/s <sup>2</sup>

**SPECIFICATIONS:**

Model	L38	L33	L28
Motor, Vac	1 HP (.74kw) three stage tangential discharge	1HP (.74kw) three stage tagential discharge	1HP (.74kw) three stage tagential discharge Power
Supply	36 volt (6-6V batteries) 250AH, 330AH	36 volt (6-6V batteries) 250AH, 330AH	36 volt (6-6V batteries) 250AH, 330AH
Solution Tank	30 gallon (114 liter)	30 gallon (114 liter)	30 gallon (114 liter)
Recovery Tank	30 gallon (114 liter)	30 gallon (114 liter)	30 gallon (114 liter)
Motors, Brush (2)	1 hp PM (.74kw)	1 hp PM (.74kw)	1 hp PM (.74kw)
Motor Traction	.50 hp PM (.37kw)	.50 hp PM (.37kw)	.50 hp PM (.37kw)
Brushes (2)	19 inch (48cm) w/.5" (1.5cm) overlap	17 inch (43cm) w/.5" (1.5 cm) overlap	14 inch (36cm) w/.5" (1.5 cm) overlap
Brush Speed	200 rpm	200 rpm	200 rpm
Brush Pressure	Variable 140 lbs. - 220 lbs.	Variable 140 lbs. - 220 lbs.	Variable 140 lbs. - 220 lbs.
Speed, Forward	Variable to 230 ft./min.	Variable to 230 ft./min.	Variable to 230 ft./min.
Speed, Reverse	Variable to 180 ft./min.	Variable to 180 ft./min.	Variable to 180 ft./min.
Charger	36V, 21A, 115V/60hz	36V, 21A, 115V/60hz	36V, 21A, 115V/60hz
Length	68.28 inches (173 cm)	67 inches (170 cm)	65.0 inches (165 cm)
Width - Machine	40.33 inches (102 cm)	35.70 inches (91 cm)	30.0 inches (76 cm) Height
43.75 inches (112cm)	43.75 inches (112 cm)	43.75 inches (112 cm)	Cleaning Rate 42,000
sq ft/hr	35,000 sq ft/hr	29,700 sq ft./hr	(3,901
sq. m/hr)	(3,252 sq. m/hr)	(2,750 sq ft./hr)	Cleaning Swath
38 inch (97 cm)	33 inch (84 cm)	28 inch (71 cm)	Grade Cleaning
6° Incline	6° Incline	6° Incline	
Weight w/Batteries (330AH)	1025 lbs. 465kg	1015 lbs. 460kg	1005 lbs. 456kg
Shipping Weight w/batteries (330AH)	1328 lbs. 602kg	1318 lbs. 598kg	1308 lbs. 593kg
Noise	76.5 dBA	76.5 dBA	76.5 dBA
Vibration	<2.5 m/s <sup>2</sup>	<2.5 m/s <sup>2</sup>	<2.5 m/s <sup>2</sup>

## PROCEDURES FOR TRANSPORTING

### How To Put The Machine In A Van Or Truck



**WARNING:** The machine is heavy. Make sure you use two able persons to assist the machine in climbing the ramp.

1. Make sure the loading ramp is at least eight (8) feet long, and strong enough to support the machine.
2. Make sure the ramp is clean and dry.
3. Put the ramp in position.
4. Remove squeegee assembly, brush housings, & brushes or pad drivers before loading.
5. Turn key switch "ON".
6. Align the machine on a level surface ten (10) feet in front of the ramp.
7. Put the traverse speed switch in the "HI" position.
8. Press one or both forward switches.
9. Push the machine to the top of the ramp.
10. Turn the key switch "OFF".
11. Fasten the machine to the vehicle.

### How To Remove The Machine From A Van Or Truck

1. Make sure there are no obstructions in the area.
2. Make sure the unloading ramp is at least eight (8) feet long and strong enough to support the machine.
3. Make sure the ramp is clean and dry.
4. Put the ramp in position.
5. Unfasten the machine.



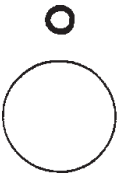
**WARNING:** The machine is heavy. Make sure you use two able persons to assist in moving the machine down the ramp.

6. Turn the key switch "ON".
7. Carefully and slowly, drive the machine to the top of the ramp by pressing and holding either of the forward switches and the reverse switch.
8. Put the traverse speed switch to the mid range speed setting. As the machine begins to travel down the ramp, maintain a slow downward speed by pressing either of the forward switches.
9. Replace squeegee assembly, brush housings, & brushes or pad drivers after the machine is unloaded and ready to use.

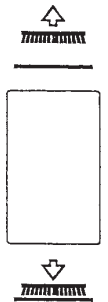
SYMBOLS USED ON FOCUS S28, S33, & S38



Hazard Alert Symbol



On/Off Key Switch



Brush Up/Down



Solution Control



Power



Traverse Speed Control



Additional Brush Pressure



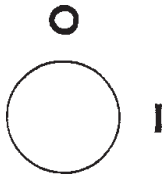
Charge/Battery Meter



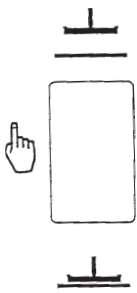
**SYMBOLS USED ON FOCUS L28, L33 & L38**



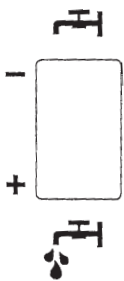
**Hazard Alert Symbol**



**On/Off Key Switch**



**Squeegee Up/Down**



**Solution Control**



**Hour Meter Switch**



**Power**



**Traverse Speed Control**



**Brush Up/Down**



**Charge Indicator**



**One Touch Switch**

**MACHINE CONTROL PANEL S28, S33 & S38****Key Switch** (See Figure #1, Item "A")

The key switch turns "ON" the power to the control panel. "0" is "OFF" and "I" is "ON".

**Traverse Speed Switch** (See Figure #1, Item "B")

The speed control varies from low to high speed. To increase the speed, turn the knob to the right. To decrease the speed, turn the knob to the left.

**Brush Up/Down Switch** (See Figure #1, Item "C")

The brush switch has two positions: "Up" positions the brushes up; "Down" positions the brushes on the floor. The brush motors start when the brushes are down and the traverse switch is depressed.

**Increase Brush Pressure Switch** (See Figure #1, Item D)

This switch is used to increase the brush pressure. Increased brush pressure may be required when stripping or cleaning heavily soiled floors. To increase brush pressure, first lower the brushes by pressing the brush up/down switch (Item "C") to the down position. This will lower the brushes to the normal scrub position. To increase brush pressure, press and hold the switch (Item "D") until the desired brush pressure is reached or the brush deck stops moving downward. To reposition the brush pressure to normal scrub, press the brush up/down switch (Item "C") to the up position and after the brush deck is completely raised, then return the switch to the down position for normal scrub.

**Solution Control Knob** (See Figure #1, Item "E")

The solution control knob regulates the flow of cleaning solution to the floor. To increase the flow turn the knob clockwise. To decrease the flow, turn the knob counter-clockwise.

**Forward Switch** (See Figure #1, Item "F")

The forward switch turns the traverse motor "on" and if the brush motors are in the down position, it also activates the brush motors and solution control module. Either the right or the left switch can be used.

**Reverse Switch** (See Figure #1, Item "G")

The reverse switch, when used in conjunction with one of the forward switches, causes the machine to reverse direction. The reverse speed is 70% of the forward speed.

**Charge / Battery Meter** (See Figure #1, Item "H")

The charge/battery meter indicates the battery is being charged when the charger is plugged into an AC outlet. It also indicates the amount of charge that is left in the batteries while the machine is in use. When the battery charger gets too low the red light will begin flashing and the brush/pad motors will shut off.

**Circuit Breakers** (See Figure #1, Item "I"- "M")

The circuit breaker reset buttons are located on the control panel. The breakers are located as follows: Item I & J - Brush Motors (35A); Item K - Traverse Motor (30A); Item L - Vac Motor (25A); Item M - Actuator Motor, Brush Head (5A)

If a circuit breaker trips, determine which motor is not operating and turn the key switch "OFF". Wait five minutes and push the reset button back in. Turn the key switch "ON", and try again. An authorized service person should be contacted if the breaker trips again.

**Hour Meter** (See Figure #1, Item "N")

The hour meter indicates the number of hours the machine has operated. It runs only when the machine is moving forward or reverse.

MACHINE CONTROL PANEL S28, S33 & S38

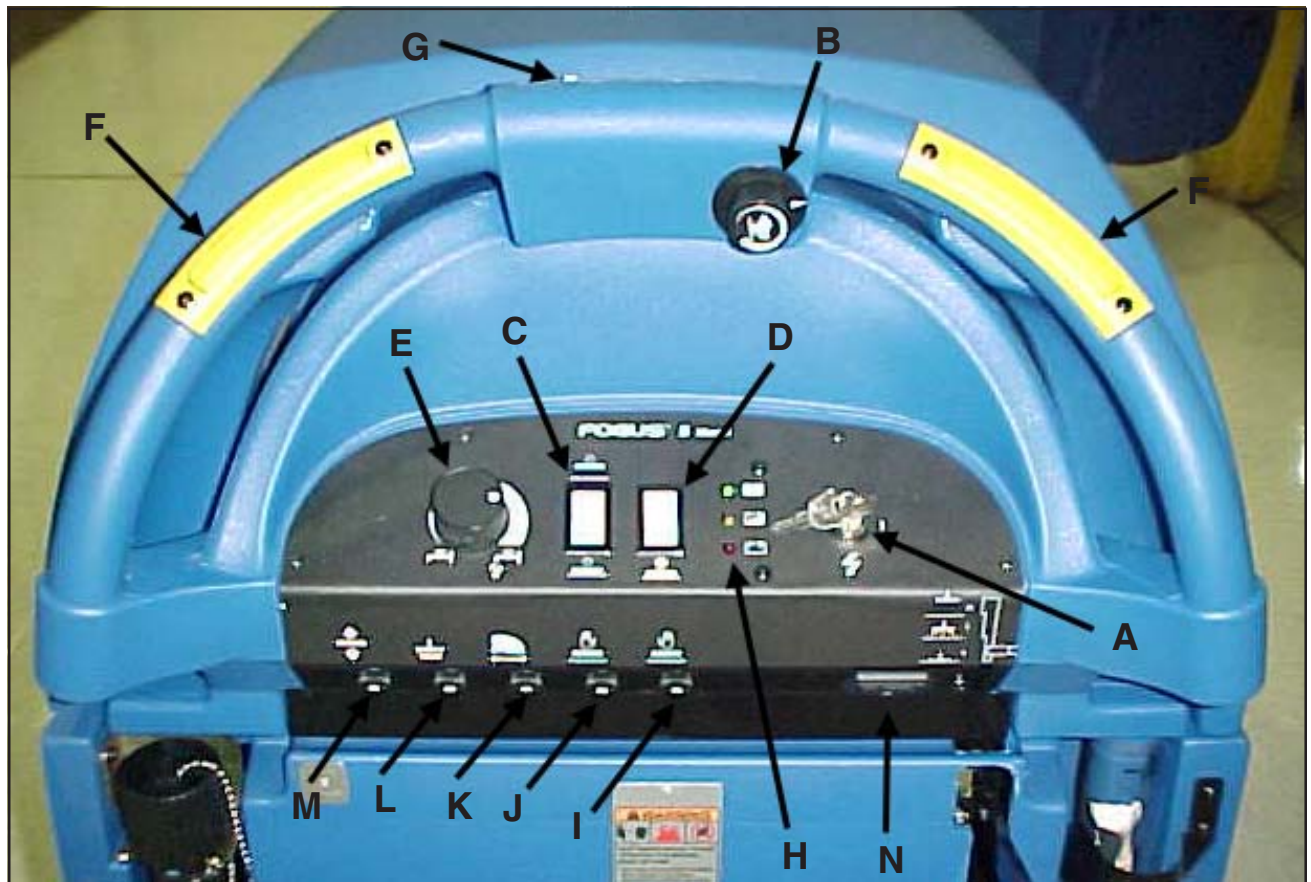


Figure #1

**MACHINE CONTROL PANEL L28, L33 & L38****Key Switch** (See Figure #2 Item "A")

The key switch turns "ON" the power to the control panel. "O" is "OFF" and "I" is "ON".

**Traverse Speed Switch** (See Figure #2, Item "B")

The speed control varies from low to high speed. To increase the speed, turn the knob to the right. To decrease the speed, turn the knob to the left.

**Squeegee Up/Down Switch** (See Figure #2, Item "C")

The squeegee switch is used to raise and lower the squeegee and to turn on and off the vacuum motor. The squeegee will lower and the vacuum motor will turn on when the switch is placed in the lower position. To raise the squeegee, place the switch in the up position. The vacuum motor will stop, after a short delay, when the switch is placed in the up position.

The middle switch position is used for the one touch control. The squeegee will raise and lower and the vacuum will turn on and off automatically when the one touch control function is used. **NOTE: The squeegee switch must be in the middle position for the squeegee and vacuum to operate properly with the one touch feature.**

**Brush Up/Down Switch** (See Figure #2, Item D)

To lower brush head, push the brush switch in the down (+) position. To increase brush pressure, continue to push the brush switch in the down (+) position until the desired pressure is reached or until brush head travel stops. The brush motors will start and solution will flow (provided the solution is turned "ON") when the machine begins to traverse. To raise the brush head, push the brush switch in the up (-) position until the brush head travel stops or desired position is reached.

**Solution Flow Control** (See Figure #2, Item "E")

The solution flow switch regulates the flow of chemical solution to the floor. To increase the flow, push the solution flow switch in the down (+) position until desired flow is reached. To decrease the flow, push the solution flow switch in the up (-) position until the desired flow is reached. To shut off the solution, push the solution flow switch in the up (-) position until no indicators are visible on the display. **NOTE: DO NOT run dry! NOTE: No solution will flow when the machine does not traverse.**

**Forward Switch** (See Figure #2, Item "F")

The forward switch turns the traverse motor "on" and if the brush motors are in the down position, it also activates the brush motors and solution control module. Either the right or the left switch can be used.

**Reverse Switch** (See Figure #2, Item "G")

The reverse switch, when used in conjunction with one of the forward switches, causes the machine to reverse direction. The reverse speed is 70% of the forward speed.

**Charge Indicator Light** (See Figure #2, Item "H")

When the charger is plugged into an AC Outlet, the charge green indicator light will flash on and off. When the batteries become fully charged, the green indicator light will remain on until the charger is unplugged.

**One Touch** (See Figure #2, Item "I")

The one touch button is a green button that lowers and raises the brush head and squeegee with one touch. **NOTE: For more information about the one touch feature see the section "How to Operate the Machine".**

**LCD Display** (See Figure #2, Item "J")

The main display indicates the state of battery charge, brush head, solution and squeegee status. It will also display machine run hours and error codes. **NOTE: When the battery charger gets too low the battery display will begin flashing and the brush/pad motors will shut off.**

**Display Button** (See Figure #2, Item "K")

Pressing the black display button will toggle between the main machine functions and the hour meter. The hour meter indicates the number of hours the machine has operated. It displays brush motor, vacuum motor, traverse motor and total key on hours.)

**MACHINE CONTROL PANEL L28, L33 & L38****Circuit Breakers** (See Figure #2, Item "L", "M", "N")

The circuit breaker reset buttons are located on the control panel. The breakers are located as follows: Item "L" and "M" - Brush Motors (35A); Item N - Key Switch (5A).

If a circuit breaker trips, determine which motor is not operating and turn the key switch "OFF". Wait five minutes and push the reset button back in. Turn the key switch "ON", and try again. An authorized service person should be contacted if the breaker trips again.

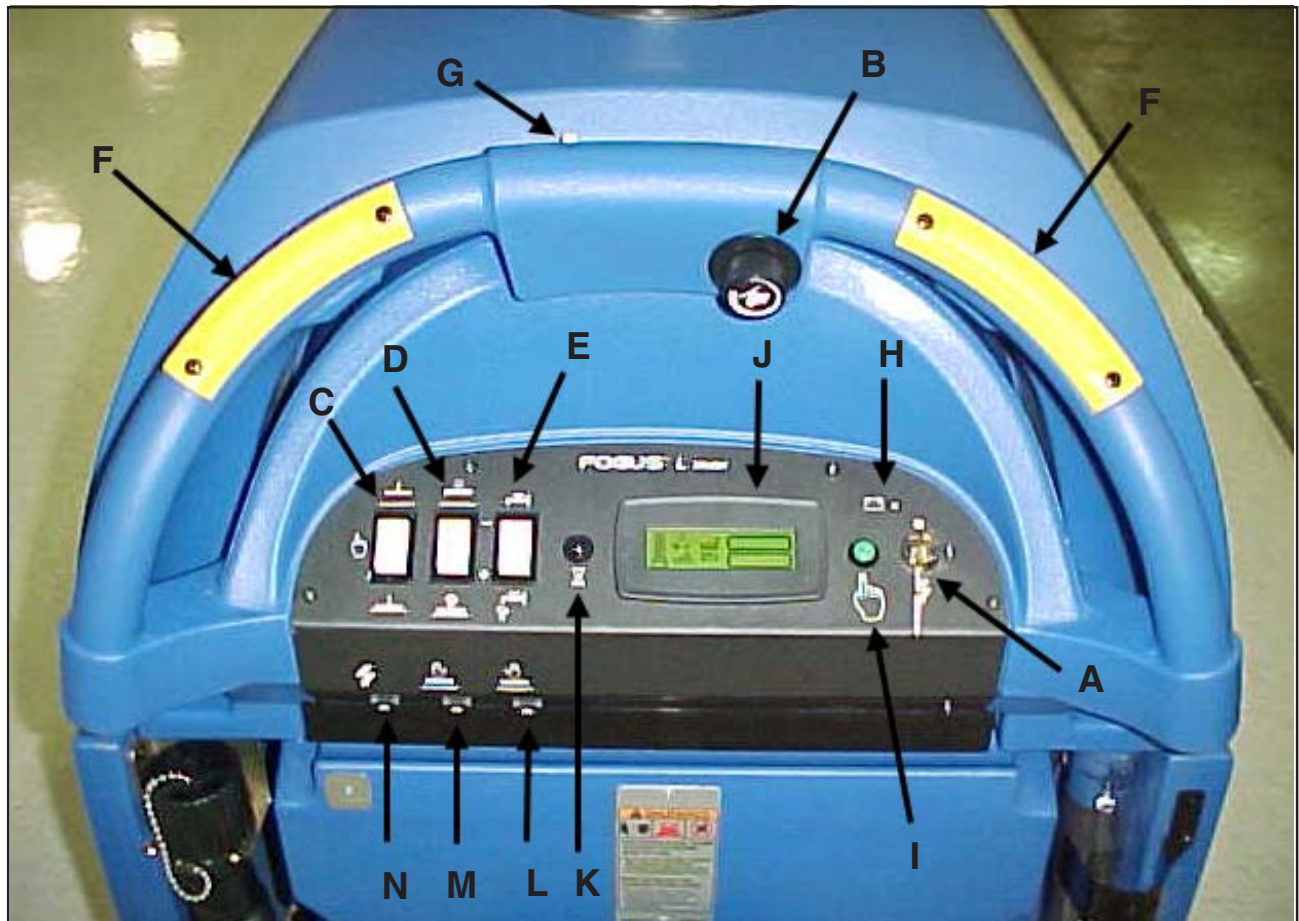
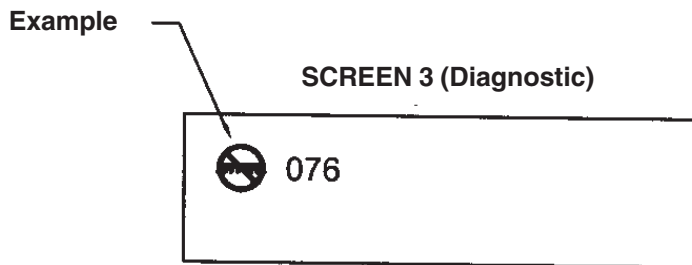
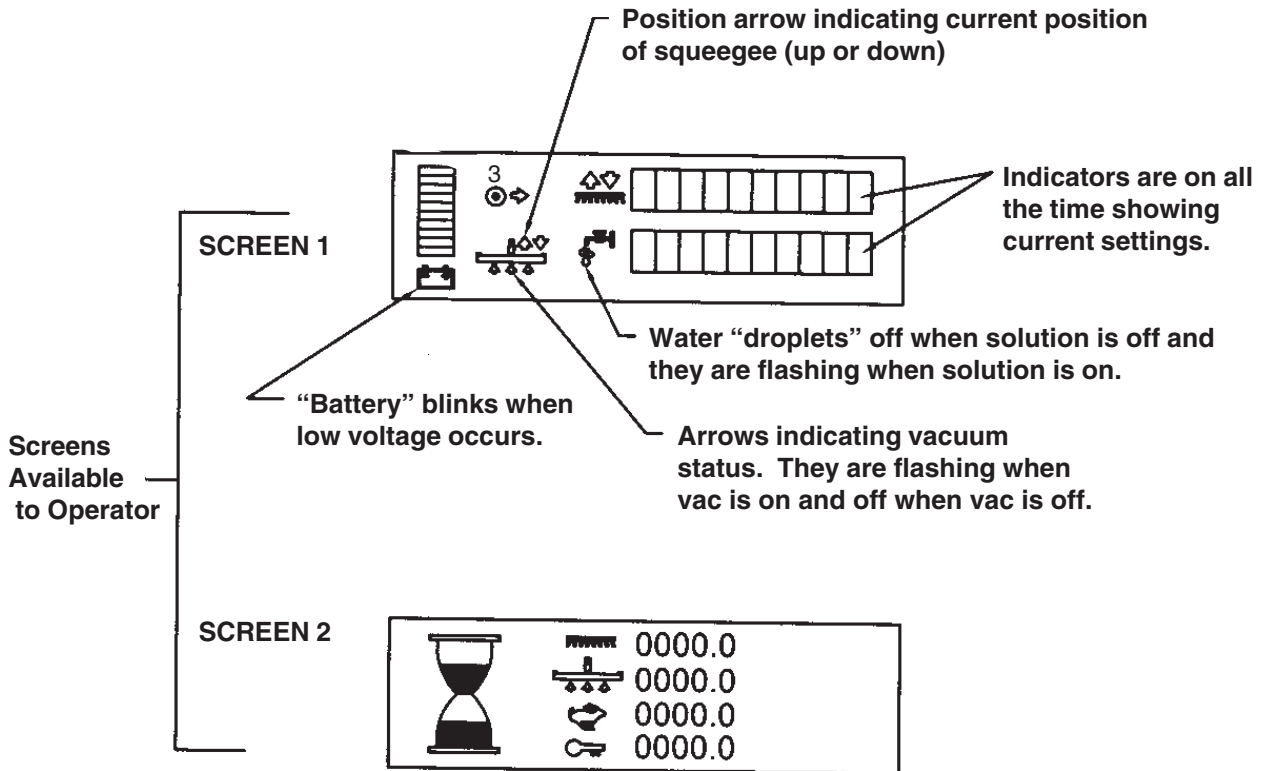


Figure #2

Display Screens For FOCUS L28, L33, L38



The Diagnostic only. It will not show unless a fault with the machine occurs. When the fault happens the icon and error code will be displayed.

See "Common Error Codes" at end of "Maintenance Section".

## MACHINE CONTROLS & FEATURES

**Squeegee Lift Handle** ("S Class" models only) See Figure #3a, 3b, & 3c.

The squeegee lift handle is located below the control handles on the right side. It is used to raise or lower the squeegee. The vac motor is turned on when the handle is lowered.

**Parking Brake** (Optional) See Figure #4.

The parking brake prevents movement of the machine. The brake is located on the left hand side of the transaxle motor. Turn the key switch off or disconnect the power to the battery to apply the brake.

There is a mechanical lever located on the brake. This lever is an override. To manually release the brake, rotate the lever toward the rear of machine (counter clockwise). To return the brake to normal or to apply the brake, rotate the lever towards the front of the machine (clockwise).

**NOTE: If the lever is left in the override position, the brake will not function with the key switch, and the machine will not operate.**

**CAUTION:** Do not activate the brake while the machine is moving.

**Float Shut Off** See Figure #5.

The shut-off switch for the vac motor is located in the recovery tank. It automatically turns off the vac motor when the recovery tank is full.



Figure #3a



Figure #3b



Figure #3c

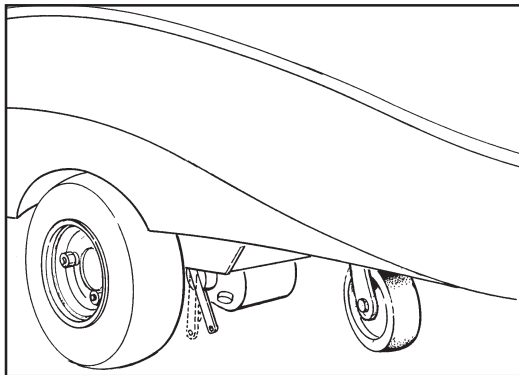


Figure #4



Figure #5

**HOW TO PREPARE THE MACHINE FOR OPERATION**

**How To Install The Batteries**

The 28, 33 and 38 Focus machines use six 6-volt batteries. The batteries are located in the battery compartment under the recovery tank.

To install the batteries, follow this procedure:

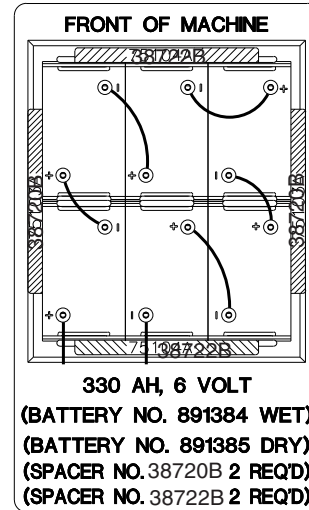
1. Turn key switch off.
2. Make sure both tanks are empty.
3. Disconnect the hoses from the recovery tank (upper tank) & unplug the vac motor and float switch.
4. Remove the tank support bracket.
5. Remove the recovery tank.
6. Place the batteries in the solution tank as shown in figures 6a and 6b.

**WARNING:** Lifting batteries without help could result in an injury. Get help to lift the batteries. The batteries are heavy.

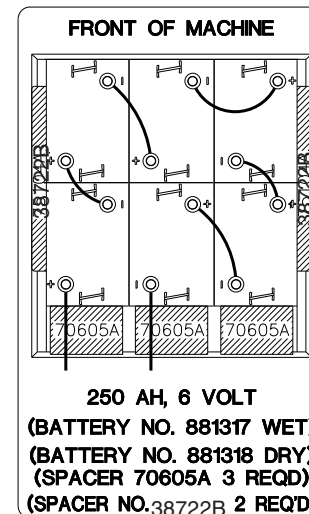
**WARNING:** Working with batteries can be dangerous. Always wear eye protection and protective clothing when working near batteries. **NO SMOKING!**

7. Connect the battery cables between batteries and install long battery cable assembly as indicated. See figure 6a and 6b.
8. Install the tank, reconnecting hoses and plugging in vac motor and float switch connectors. Install tank support bracket.

**NOTE:** Charge the batteries before using the machine.



**Figure #6a**



**Figure #6b**



## HOW TO PREPARE THE MACHINE FOR OPERATION

### Battery Maintenance

The electrical power to operate the machine comes from the storage batteries. Storage batteries need preventive maintenance.

**⚠ WARNING:** Working with batteries can be dangerous. Always wear eye protection and protective clothing when working near batteries.  
**NO SMOKING!**

To maintain the batteries in good condition, follow these instructions:

1. Keep the electrolyte at the correct level. The correct level is between 1/4" below the bottom of the tube in each cell and above the tops of the plates. Check the level of the electrolyte each time you charge the batteries. See figure #7.

**NOTE:** Check the level of electrolyte prior to charging the batteries. Be sure the plates in each cell are covered with electrolyte. Do not top off the cells prior to charging the battery. Electrolyte expands during charging. As a result, the electrolyte could overflow from the cells. Always top off the cells with distilled water after charging.

**⚠ CAUTION:** Irreversible damage will occur to the batteries if the electrolyte level does not cover the plates. Keep the electrolyte at the correct level.

**⚠ CAUTION:** Machine damage and discharge across the tops of the batteries can occur if the batteries are filled above the bottom of the tube in each cell. Do not fill the batteries up to the bottom of the tube in each cell. Wipe any acid from the machine or the tops of the batteries. Never add acid to a battery after installation.

**⚠ CAUTION:** Tap water may contain contaminants that will damage batteries. Batteries must be re-filled with distilled water only.

2. Keep the tops of the batteries clean and dry. Keep the terminals and connectors clean. To clean the top of the batteries, use a damp cloth with a weak solution of ammonia or bicarbonate of soda solution. To clean the terminals and connectors, use a terminal and connector cleaning tool. Do not allow ammonia or bicarbonate of soda to get into batteries.
3. Keep the batteries charged.

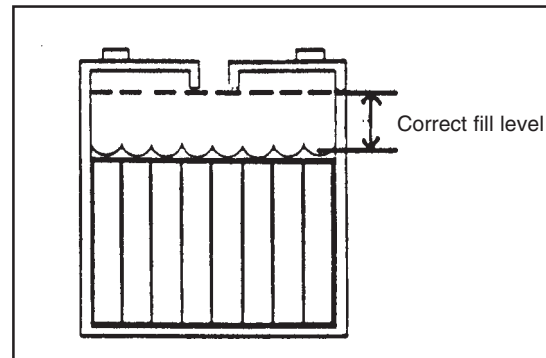


Figure 7

**HOW TO PREPARE THE MACHINE  
FOR OPERATION****How To Charge The Batteries**

**⚠ WARNING:** Charging the batteries in an area without adequate ventilation could result in an explosion. To prevent an explosion, charge the batteries only in an area with good ventilation.

**⚠ WARNING:** Lead acid batteries generate gases which could explode. Keep sparks and flames away from batteries. **NO SMOKING!**

To charge the batteries, follow this procedure:

1. Make sure the key switch is in the "OFF" position.
2. Before charging the batteries, the battery compartment needs to be vented. To vent compartment, tip up the recovery tank until it locks in the open position (see figure #8). To close the tank, pull up on the arm and then slowly lower the tank to the closed position.

**⚠ CAUTION:** Before raising tank, be sure tank is empty.

**⚠ WARNING:** Do not operate or perform maintenance on the machine while the recovery tank is in the open position. The tank can be accidentally bumped and it may slam shut.

3. Connect the battery charger AC cord located at the rear of the machine to a 15 amp (min) 120V properly grounded wall receptacle.
4. Observe indicator light to ensure the charging process has started. Flashing light(s) indicates that the batteries are being charged. Steady on green light indicates the batteries are fully charged.

**NOTE:** Make sure you plug into a circuit that is not loaded by other equipment. Wall breakers may be tripped and no charge will occur.

**⚠ WARNING:** Never charge a GEL battery with an unsuitable battery charger. Carefully follow the instructions given by the manufacturer of the batteries and battery charger.

**NOTE:** To prevent permanent damage to the batteries, avoid their complete discharge. Never leave the batteries completely discharged, even if the machine is not being used. When recharging the batteries, keep the recovery tank open. After every 20 recharging cycles, check the level of the electrolyte and if necessary top off with distilled water.



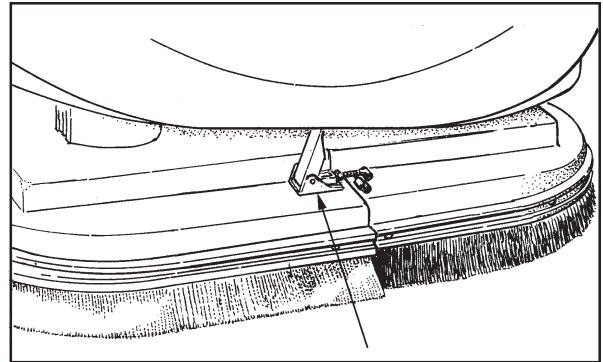
**Figura # 8**

## HOW TO PREPARE THE MACHINE FOR OPERATION

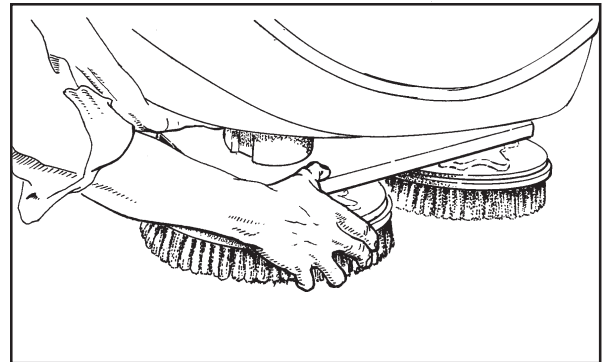
### How To Install The Brushes Or Pad Drivers

To install the brushes or pad drivers on the machine, follow this procedure:

1. Turn the key switch "ON".
2. Put the brush switch in the "UP" position.
3. Turn the key switch "OFF".
4. Go to the front of the machine.
5. Unlatch right and left brush housings and remove them. See figure #9.
6. Put a brush or pad driver under the brush motor plate. See figure #10.
7. Align the lugs on the motor gimbal with the slots in the brush gimbal.
8. Pull the brush up until the gimbal locks.
9. Repeat steps 6, 7, and 8 to install the second brush or pad driver.



**Figure #9**



**Figure #10**

### How To Remove The Brushes Or Pad Drivers

To remove the brushes or pad drivers from the machine, follow this procedure:

1. Turn the key switch "ON".
2. Put the brush switch in the "UP" position.
3. Turn the key switch "OFF".
4. Go to the front of the machine.
5. Push down on two sides of the brush or pad driver until the gimbals release.

**HOW TO OPERATE THE MACHINE****How to Operate the One Touch System ("L Class" models only)**

One touch cleaning is a feature on the new Focus Walk-behind Scrubber. The factory defaults for this setting are two bars of brush pressure and four bars for solution flow and squeegee in the down position.

1. Press and release the green button for all cleaning functions to begin, see figure #11, item A.
2. The squeegee and brush head lower to the floor and the vacuum starts. **NOTE:** The squeegee switch must be in the center position for the squeegee to operate with the one touch feature, see figure #11, item B.
3. The brushes and solution will begin only when you begin to traverse.
4. The cleaning will be at the factory default settings, however you can reprogram these settings to your specifications. See "Reprogramming One Touch" section below.
5. To end cleaning process, press the green button again and solution will stop; brushes will raise; after a short delay squeegee will raise; and the motor will turn off.

**NOTE: It is intended that this be done while traversing. If you stop and do it, some solution can be left on the floor.**

**Reprogramming One Touch**

If you do not want to use the factory default settings, you may reprogram the setting by following the procedures below:

1. Place the machine in the desired scrub condition by using the one touch and individual switches.
2. Press and hold the green one touch button until you see the LCD display flash, then release the button. **NOTE: The time required should be approximately 5 seconds.**
3. When you activate or deactivate the one touch, it will now be set to your preference for cleaning. These settings will remain until you disconnect power or reprogram them. **NOTE: When programming one touch, be sure squeegee is in automatic (middle) position, otherwise you may program squeegee either up or down all the time.**

**How to Return One Touch to Factory Default Settings**

To restore the factory settings, follow the procedures below:

1. Press and hold the green one touch button until you see the LCD display flash two times (5 seconds between flashes), see figure 11. **NOTE: The time required for this will be approximately 10 seconds.**
2. The settings should be returned to 4 bars of solution and 2 bars of brush pressure. **NOTE: The squeegee vac switch must be in the middle position for default settings to work.**



**Figure #11**

## HOW TO OPERATE THE MACHINE

### How To Operate the Squeegee ("S Class" models only)

The squeegee wipes the floor while the vacuum motor removes the dirty solution from the floor. Use your right hand to lower or raise the squeegee handle. To operate the squeegee, follow this procedure:

1. To lower the squeegee and start the vac motor move the squeegee lever to the right and down. See figure #12.
2. To raise the squeegee, lift the squeegee lever up. See figure #13.

**Note:** The center position lets the vac motor continue to run with the squeegee off the floor to avoid drips.

### How to Fill The Solution Tank

**CAUTION:** Make sure water or solution does not enter the opening for the vacuum motor See figure #14.

The solution tank can be filled in the front or through the clear drain hose at the rear of the machine. To fill the solution tank follow this procedure:

1. Remove the solution tank lid. See figure #15.
2. Fill the solution tank with water.
3. Add a cleaning chemical to the water. for the correct amount, follow the directions shown on the container.

**WARNING:** Water solutions or cleaning materials used with this type of machine can leave wet areas on the floor surface. These areas can cause a dangerous condition for the operator or other persons. Always put CAUTION signs near the area you are cleaning.

**WARNING:** Machines can ignite flammable materials and vapors. Do not use with or near flammables such as gasoline, grain dust, solvents, and thinners. Only use a cleaning concentration recommended by the chemical manufacturer.

**WARNING:** Clarke recommends a maximum water temperature of 120°F(49°C)

4. Replace the solution tank lid.
5. When filling the machine from the rear, position the clear drain hose against bracket and insert hose as shown in figure 16. Solution level can be viewed from the back of the machine.



Figure #12



Figure #13



Figure #14



Figure #15



Figure #16

**HOW TO OPERATE THE MACHINE**

**How To Traverse Machine**

**NOTE:** Put the machine in the slow traverse speed (see figure #17). Use the machine in an area that has no furniture and objects until you can do the following:

1. Move the machine in a straight direction, forward and backward.
2. Stop the machine safely.
3. Move the machine in a straight direction after you turn the machine.

To move the machine, follow this procedure:

1. Turn the key switch "ON" position.
2. Put the brush switch in the "UP" position.
3. Raise the squeegee.
4. To go forward, push one or both of the yellow forward switches (see figure #18).
5. To stop the machine, release the yellow forward switches.
6. To go backward, push in on the white reverse button and one of the yellow forward switches at the same time (see figure #19).
7. To turn the machine, push the rear of the machine to the side.
8. When you stop the machine, turn the key switch "OFF".



**Figure # 17**



**Figure #18**



**Figure #19**

**How to Clean a Floor**

**⚠ WARNING:** Water solutions or cleaning materials used with this type of machine can leave wet areas on the floor surfaces. These areas can cause a dangerous condition for the operator or other persons. Always put CAUTION signs near the area you are cleaning.

To clean a floor, follow this procedure:

1. Put the water and a cleaning chemical in the clean solution tank.
2. Turn the key switch "ON". If one touch feature is used, press the green button and proceed to step 6 (deluxe models only).
3. Lower the squeegee.
4. Put the brush switch in the "DOWN" position.
5. Adjust the flow of clean solution to the flow desired.
6. Move the machine across the floor in the forward direction.
7. Make a 180° turn.

**NOTE:** When you make more passes across the floor, let the brushes clean approximately 2 inches of the area already cleaned by the brushes.

**NOTE:** During most cleaning procedures, apply and remove the solution in one operation.

## HOW TO OPERATE THE MACHINE

### How to Clean a Very Dirty Floor

To clean a very dirty floor, follow this procedure:

1. Apply solution to the floor.
2. Do not lower the squeegee.
3. Do not activate the vacuum motor.
4. Lower the brushes and scrub the floor.
5. Leave the solution on the floor long enough for the solution to begin cleaning the floor.
6. Scrub the floor again with additional solution, picking up all the solution with the squeegee



Figure #20

## MAINTENANCE

**⚠ WARNING: Maintenance and repairs must be done by authorized personnel only.**

**⚠ WARNING: Always empty the solution tank and recovery tank before doing any maintenance.**

**⚠ WARNING: Keep all fasteners tight.**

### These Maintenance Procedures Must Be Done Every Day

Keep the machine clean, it will need fewer repairs and have longer life.

### Do These Procedures When You Begin Your Work Period

1. Turn off key switch.
2. Unplug charger from AC outlet and wrap cord around bracket at rear of machine.
3. Make sure the recovery tank lid is on correctly (see figure #20).
4. Make sure the Screen filter over the vacuum motor is clean and in position (see figure #20).
5. Make sure the valve on the recovery drain hose is clean. Tightly close the valve.
6. Make sure brush housings and skirts are in position on the brush head.
7. Make sure the brushes are in position and installed correctly
8. Check the installation of the squeegee and squeegee hose.

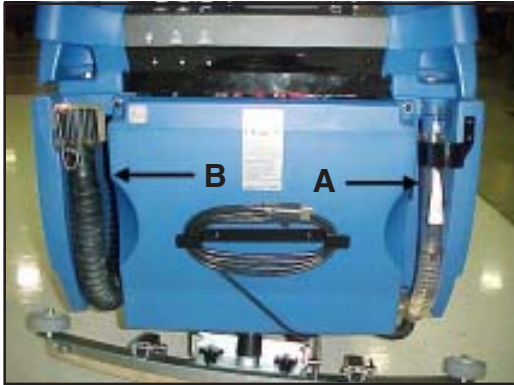


Figure #21



Figure #22



Figure #23

**MAINTENANCE****Do These Procedures When You End Your Work**

1. Drain the solution tank (Figure #21, item A) and the recovery tank (Figure #21, item B). To drain the tanks, follow this procedure:
  - a. Turn the key switch "OFF".
  - b. Remove the drain hose from the back of the machine.
  - c. Put the end of the hose over a drain or bucket.
  - d. Recovery Tank:  
Turn the valve housing to the left (see figure #22). To open the valve completely, turn the housing fully to the left and pull the housing off of the valve.

**Solution Tank:**

When hose is lowered below water level, the water will drain (see figure 23).

2. Flush the tanks. To flush the tanks, put clean water in the tank through the opening on top of the tank.
3. If a tank or drain hose has an obstruction, use a high pressure water hose to flush the tank or hose. Put the water hose into the drain hose.
4. Leave the tanks and the drain valves open to dry in the air.
5. Check the squeegee blade. Use a cloth to clean the squeegee blade. If the squeegee blade is damaged or worn, turn or replace the blade.
6. Check and clean the recovery lid gasket. Use a mild cleaning solution and rinse the parts in clean water.

Check the batteries and add distilled water as needed. The correct level is within 1/4 inch of the bottom of the tube in each cell.

**⚠ CAUTION:** Tap water may contain contaminants that will damage batteries. Batteries must be re-filled with distilled water only.

**⚠ WARNING:** Lead acid batteries generate gases which can cause an explosion. NO SMOKING. Always wear eye protection and protective clothing when working near batteries.

Use a clean cloth and wipe the surface of the machine.

Charge the batteries. See the instruction in the section of this book called "How To Charge The Batteries".



## MAINTENANCE

### These Maintenance Procedures Must Be Done Every Week:

**⚠ WARNING:** Maintenance and repairs must be done by authorized personnel only. Always empty the solution tank and the recovery tank before doing any maintenance. Keep all fasteners tight.

**⚠ WARNING:** Always wear eye protection and protective clothing when working near batteries. Do not put tools or other metal objects across the battery terminals or the tops of the batteries.

**⚠ CAUTION:** To prevent damage to the machine, and discharge across the tops of the batteries, do not fill the batteries above the bottom of the tube in each cell. Wipe any acid from the machine or the tops of the batteries. Do not add acid to battery after installation.

**NOTE:** Always turn off key switch before servicing the machine.

**⚠ WARNING:** Always wear eye protection and protective clothing when working near batteries. **NO SMOKING!**

1. To inspect batteries, tip up recovery tank until it locks in up position. See Figure #24.
2. Disconnect the batteries. Use a cloth and a solution of ammonia or bicarbonate of soda to wipe the top of the batteries. Clean the battery terminals. Reconnect the batteries.
3. Check the hoses for leaks, obstructions and other damages.
4. Check and clean the filter screen in the solution hose. To clean the screen, follow this procedure:
  - a. Turn the connector to the left.
  - b. Remove and clean the filter screen.
  - c. Install the filter screen in the hose. Turn the connector to the right to connect the hose.
5. Use a grease gun to lubricate the drive wheel and the casters. See figure #25.
6. Check tire pressure. Tire pressure should be about 50 psi.



Figure #24

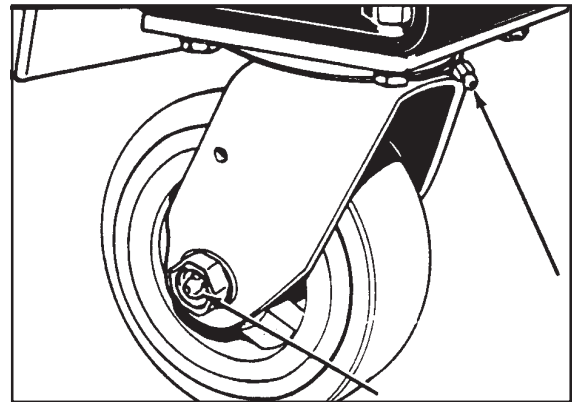


Figure #25

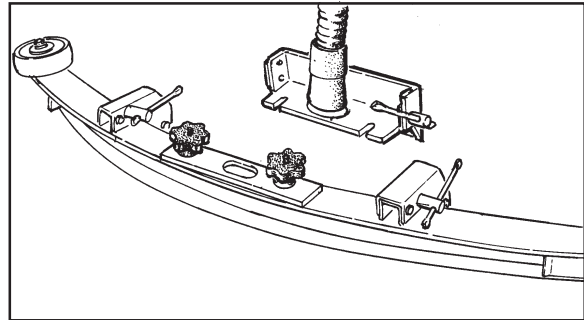
**MAINTENANCE**

7. Check the squeegee and the scrub brushes or the pad drivers for damage.
8. Check the squeegee and the vacuum hose for damage, leaks and obstructions.

**Maintenance For The Squeegee**

To remove the squeegee, follow this procedure:

1. Remove the squeegee assembly by loosening the two knobs that attach the squeegee to the machine. Pull the squeegee assembly off. See figure #26.
2. Inspect the squeegee blade.
3. If the blade is worn, turn the blade so that a new edge is in the wiping position.
4. Reinstall squeegee assembly on the machine.



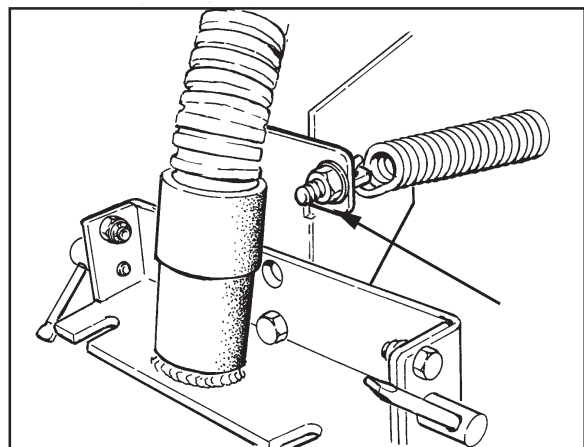
**Figure #26**

**How To Adjust The Squeegee**

The following adjustments are set at the factory, however they may require slight adjustment.

**Adjusting Squeegee Pressure:**

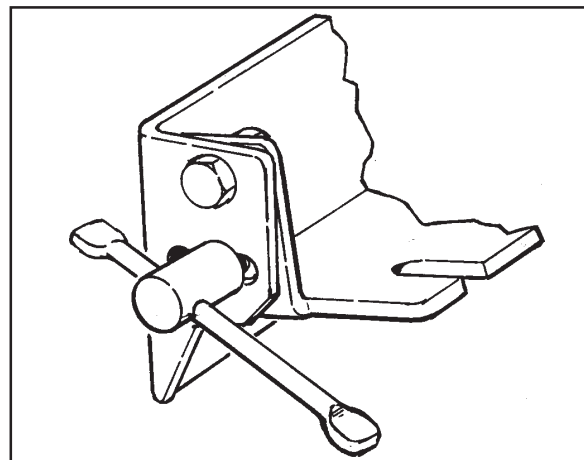
To adjust the pressure, refer to Figure #27. Proper adjustment will produce a uniform flare along the rear blade when the machine is moved forward. To increase pressure, tighten the nuts on each side of the swing arm. To decrease the pressure, loosen the nuts on each side.



**Figure #27**

**Adjusting Squeegee Tilt:**

The tilt of the squeegee causes the rear blade to raise up in the center or on the ends, depending on which direction the tilt is changed. For tilt adjustment, refer to figure # 28. Loosen left and right screw "X". In order to bring the rear blade down in the center, tip "Y" down. To bring both ends down, tip "Y" up. Make very small adjustments and try it until a uniform flare is achieved. Changing the tilt may also require readjusting the squeegee pressure.



**Figure #28**

## MAINTENANCE

### Adjusting Squeegee Blades

When properly installed the front blade should be approximately .12 above the rear blade. See figure #29.

**⚠ WARNING:** Maintenance and repairs must be done by authorized personnel only .

**⚠ WARNING:** Electrical repairs must be done by authorized personnel only.

Consult your Clarke Authorized Service Person to do the service procedures.

Use only genuine Clarke parts.

### How to Clean the Solution Line

If the solution line becomes clogged, pull the filter assembly out from behind the brush housing (Figure 30). Turn solution valve off. Remove the filter screen (Figure 31, B) and clean or replace it. Turn solution valve back on (figure 31, A) and push filter assembly back inside frame.

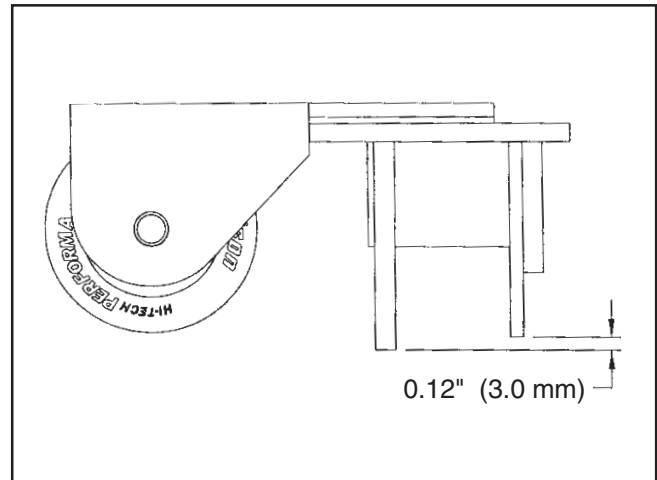


Figure #29

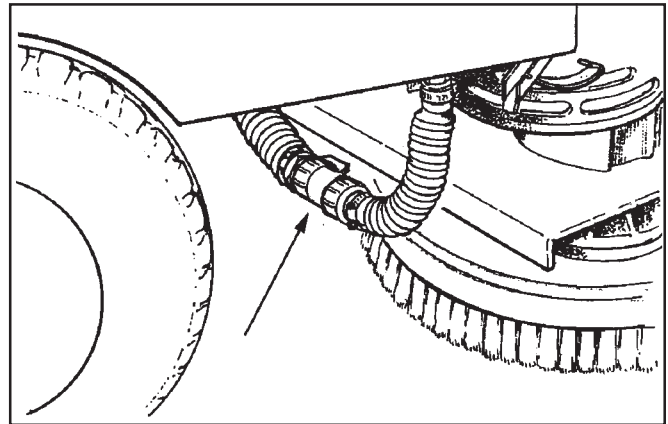


Figure #30

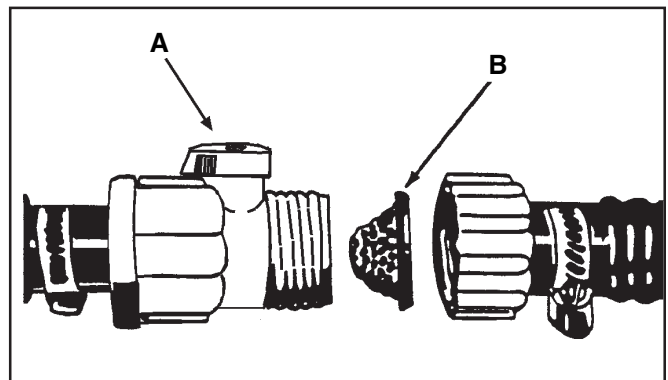


Figure #31

**HOW TO CORRECT PROBLEMS IN THE MACHINE**

<b>PROBLEM</b>	<b>CAUSE</b>	<b>ACTION</b>
<p><b>The machine does not remove all the water from the floor.</b></p>	<p>The squeegee is up</p> <p>The vacuum tank is full.</p> <p>The screen filter is dirty.</p> <p>There is an obstruction or damage in the squeegee, squeegee hose or standpipe.</p> <p>The vacuum motor is not running.</p> <p>The squeegee hose is disconnected.</p> <p>The squeegee blade is damaged, worn, or incorrectly installed.</p> <p>The squeegee pressure is not correctly adjusted.</p> <p>The gaskets on the cover of the recovery tank are damaged.</p>	<p>Lower the squeegee.</p> <p>Drain the tank.</p> <p>Clean the screen filter.</p> <p>Remove the obstruction or repair the damage.</p> <p>Check for tripped breaker. Have an authorized service person make repairs.</p> <p>Connect the hose.</p> <p>Turn or replace the squeegee blade. Correctly install the squeegee blade.</p> <p>Adjust the pressure of the squeegee.</p> <p>Replace the gaskets.</p>
<p><b>The batteries do not give the normal running time.</b></p>	<p>The battery terminals are dirty or damaged.</p> <p>The electrolyte level is too low.</p> <p>The batteries are not fully charged.</p> <p>The charger is damaged.</p> <p>The battery is defective.</p> <p>The batteries are disconnected.</p>	<p>Clean the terminals and connectors. Replace the damaged cables. Charge the batteries.</p> <p>Add distilled water to each cell and charge the batteries.</p> <p>Charge the batteries for a full 16 hour charge.</p> <p>Have an authorized service person repair the charger.</p> <p>Check voltage of each cell while discharging.</p> <p>Connect the batteries.</p>
<p><b>The cleaning is not even.</b></p>	<p>The scrub brushes or pads are worn.</p> <p>There is damage to the brush assembly, casters or the solution valve.</p> <p>The brush motors are not running</p> <p>The solution level is low.</p>	<p>Replace the scrub brushes or pads.</p> <p>Have an authorized service person make the needed repairs.</p> <p>Check for tripped breaker, reset. Check for loose connections.</p> <p>Fill the solution tank.</p> <p>NOTE: If the motors continue to stop consult an authorized service person.</p>
<p><b>The machine does not run.</b></p>	<p>The machine loses power.</p>	<p>Reset the circuit breaker.</p> <p>Check wire connection to traverse motor.</p> <p>Replace the fuses.</p> <p>Check the batteries connections.</p> <p>Check parking brake override lever position (if installed)</p> <p>NOTE: If the motors continue to stop, consult an authorized service person.</p>

## FOCUS L28/L33/L38 WB Common Error Codes

ERROR CODE	CAUSE	ACTION
3100 3101 3102 3103 3104 3105	Probable short circuit of output device.	Check the traction, brush and vac motor connections on the trio and check wiring from these connectors down to the traction, brush and vac motors.
7600	Open circuit on brush motors or brush motor wiring.	Check the brush motor connection on the trio and check the wiring from this connector down to the brush motor.
7603	Possible short circuit on brush motors or wiring.	
7800	Open circuit on traction motor.	Check the traction motor connection on trio and wiring down to motor.
7802	Traction motor current has exceeded current limit for the fold back time.	Excessive driving up an incline, or machine driven up against an obstacle or step.
9000	Brushes not fitted.	Brushes
2F01	Drive system activated prior to turning key switch "ON".	Release traverse switch and reactivate.

NOTICE: IF ERROR CODE/FAULT OCCURS TURN KEY SWITCH OFF AND THEN BACK ON.

For further codes and explanations, contact a Clarke Service Center.

**ACCESSORIES**

<u>Description</u>	<u>Part No.</u>
Power Wand System Kit	10892A
ESP Recycle System Kit	10894A
Soft Caster Asm.	52127A
Clarke Care Kit	14607A
Squeegee Asm., Optional 29" (28 model only)	18818A
Drive Wheel, Foam Filled	59955A
Imperial Electric Parking Brake Kit	10684A
Clarke Battery Maintenance System (CBMS)	53390A

**Optional Squeegee Blades**

Machine	Blade	Type	Material	Length	Part No.
28	Inner	Optional	Urethane, Ribbed (60)	25.88"	30951A
28	Inner	Optional	Urethane, Notched, 1/16" (80)	25.88"	30955A
28	Inner	Optional	Urethane, Ribbed (60)	35.88"	30952A
28	Inner	Optional-Grout	Urethane, Notched 1/16" (80)	35.88"	30957A
28	Inner	Optional	Gum, Notched (35)	35.88"	30716A
28	Inner	Optional	Neoprene, Notched (80)	25.88"	30930A
28, 33	Inner	Optional	Gum, Notched (35)	40.25"	30717A
33	Inner	Optional	Urethane, Ribbed (60)	40.25"	30953A
33	Inner	Optional-Grout	Urethane, Notched 1/16" (80)	41.00"	30958A
38	Inner	Optional	Urethane, Ribbed (60)	46.00"	30954A
38	Inner	Optional-Grout	Urethane, Notched, 1/16" (80)	46.00"	30959A
38	Inner	Optional	Neoprene, Notched (80)	46.00"	30934A
28	Outer	Optional	Nitrile, Solid (40)	28.12"	30938A
28	Outer	Optional	Nitrile, Solid (40)	38.50"	30936A
28	Outer	Optional	Gum, Solid (35)	38.50"	30912A
28	Outer	Optional	Gum, Solid (35)	28.12"	30931A
28,33	Outer	Optional	Gum, Solid (35)	43.50"	30557A
33	Outer	Optional	Gum, Solid (35)	42.12"	30913A
33	Outer	Optional	Nitrile, Solid (40)	42.12"	30937A
38	Outer	Optional	Nitrile, Solid (40)	48.00"	30939A
38	Outer	Optional	Gum, Solid (35)	48.00"	30935A

<b>Brushes:</b>	<u>Size</u>	<u>Description</u>	<u>Part No.</u>
	17"	Poly	11424B
	17"	Grit-Heavy	11425B
	17"	Grit-Medium	11430B
	17"	Grit-Lite	10384A
	17"	Soft Nylon	10875A
	14"	Poly	11427B
	14"	Grit-Heavy	11426B
	14"	Grit-Medium	11431B
	14"	Grit-Lite	10383A
	14"	Soft Nylon	10874A
	19"	Poly	11434B
	19"	Grit-Heavy	11433B
	19"	Grit-Medium	11432B
	19"	Grit-Lite	10385A
	19"	Soft Nylon	11435B

**Pad Drivers:**

<u>Size</u>	<u>Part No.</u>
19"	17524B
17"	17520C
14"	17521C



**LEA ESTE MANUAL**

Este manual contiene información importante acerca del uso y la seguridad de la máquina. Si no lee el manual antes de utilizar su máquina Clarke o de intentar realizar los procedimientos de reparación o mantenimiento de la misma, usted o el resto del personal podrían sufrir lesiones; asimismo, podrían producirse daños a la máquina o a otras propiedades. Antes de utilizar la máquina, es necesario recibir la capacitación adecuada en la operación de la misma. Si el operador de la máquina no sabe leer en inglés, explíquelo el manual exhaustivamente antes de que intente utilizarla.

Todas las indicaciones incluidas en este manual se ofrecen desde la posición del operador en la parte posterior de la máquina.

Si desea conseguir nuevos manuales, escriba a: Clarke®, 2100 Highway 265, Springdale, Arkansas 72764.

**Índice**

Instrucciones de seguridad para el operador ..... 33  
 Introducción ..... 35  
 Especificaciones de la máquina ..... 35  
 Procedimientos para transporte ..... 37  
 Símbolos utilizados en los modelos S28, S33 y S38 ..... 38  
 Símbolos utilizados en los modelos L28, L33 y L38 ..... 39  
 Panel de control de la máquina en los modelos S28, S33 y S38 ..... 40  
 Panel de control de la máquina en los modelos L28, L33 y L38 ..... 42  
 Pantalla de visualización de los modelos L28, L33 y L38 ..... 44  
 Controles y funciones de la máquina ..... 45  
 Preparación de la máquina para el funcionamiento ..... 46  
 Operación de la máquina ..... 50  
 Mantenimiento ..... 53  
 Corrección de problemas ..... 58  
 Códigos de error comunes (Focus L28/L33/L38) ..... 59  
 Accesorios ..... 60

**Sección II Manual de repuestos y servicio**

Montaje del depósito de solución ..... 92  
     Lista de piezas ..... 93  
 Montaje del depósito de recuperación ..... 94  
     Lista de piezas ..... 95  
 Montaje del panel eléctrico S28, S33, S38 ..... 96  
     Lista de piezas ..... 97  
 Montaje del panel eléctrico L28, L33, L38 ..... 98  
     Lista de piezas ..... 99  
 Montaje del panel de control ..... 100  
     Lista de piezas ..... 101  
 Montaje del brazo oscilante de la escobilla de goma ..... 102  
     Lista de piezas ..... 103  
 Montaje del brazo oscilante de la escobilla de goma ..... 104  
     Lista de piezas ..... 105  
 Montaje del sistema de desplazamiento ..... 106  
     Lista de piezas ..... 107  
 Montaje del cabezal del cepillo ..... 108  
     Lista de piezas ..... 109  
 Motor del cepillo ..... 110  
 Caja de cambios ..... 111  
 Motor de vacío ..... 112  
 Piezas del transeje Imperial ..... 113  
 Diagrama de conexión del panel de control S28/S33/S38 ..... 114  
 Diagrama de conexión de la parte delantera de la máquina S28/S33/S38 ..... 114  
 Diagrama de conexión del panel de control L28/L33/L38 ..... 115  
 Diagrama de conexión de la parte delantera de la máquina L28/L33/L38 ..... 115  
 Diagrama de conexión de la placa eléctrica S28/S33/S38 ..... 116  
 Diagrama de conexión de la placa eléctrica L28/L33/L38 ..... 117  
 Diagrama de conexión del alojamiento de controles ..... 118  
 Esquemas eléctricos S28/S33/S38 ..... 119  
 Esquemas eléctricos (parte superior) L28/L33/L38 ..... 120  
 Esquemas eléctricos (parte inferior) L28/L33/L38 ..... 121



## INSTRUCCIONES DE SEGURIDAD PARA EL OPERADOR

- ⚠ PELIGRO:** Si no se leen y cumplen todas las instrucciones que aparecen bajo el encabezado **PELIGRO**, se pueden producir lesiones personales graves e incluso la muerte. Lea y respete todas las indicaciones de **PELIGRO** que se encuentran en el manual de instrucciones y en la máquina.
- ⚠ ADVERTENCIA:** Si no se leen y cumplen todas las instrucciones que aparecen bajo el encabezado **ADVERTENCIA**, usted o el resto del personal pueden sufrir lesiones; también pueden producirse daños a la propiedad. Lea y respete todas las indicaciones de **ADVERTENCIA** que se encuentran en el manual de instrucciones y en la máquina.
- ⚠ PRECAUCIÓN:** Si no se leen y respetan todas las instrucciones que aparecen bajo el encabezado **PRECAUCIÓN**, pueden producirse daños en la máquina y en otras propiedades. Lea y respete todas las indicaciones de **PRECAUCIÓN** que se encuentran en el manual de instrucciones y en la máquina.

- ⚠ PELIGRO:** Usted o el resto del personal pueden sufrir lesiones si no leen el manual de instrucciones antes de operar, intentar reparar o realizar mantenimiento a su máquina Clarke. Asimismo, pueden producirse daños a la máquina o a otras propiedades. Antes de utilizar la máquina, es necesario recibir la capacitación adecuada en la operación de la misma. Si el operador de la máquina no sabe leer en inglés, explíquelo el manual exhaustivamente antes de que intente utilizarla.
- ⚠ PELIGRO:** Cuando se opera una máquina que no se encuentra completa o totalmente ensamblada, es posible que usted o el resto del personal sufran lesiones o que se produzcan daños a la propiedad. No haga funcionar la máquina hasta que no esté completamente ensamblada. Inspeccione cuidadosamente la máquina antes de ponerla en funcionamiento.
- ⚠ PELIGRO:** Las máquinas pueden causar una explosión si se utilizan cerca de materiales y vapores inflamables. No utilice la máquina con combustibles, polvo de cereales, solventes, diluyentes u otros materiales inflamables ni cerca de ellos. Esta máquina no es adecuada para limpiar polvos peligrosos.
- ⚠ PELIGRO:** Las baterías de plomo generan gases, los cuales pueden causar una explosión. Mantenga las baterías alejadas de chispas y llamas. No fume cerca de la máquina. Cambie las baterías solamente en áreas con buena ventilación. Compruebe que el cargador de C.A. esté desenchufado de la toma de corriente de la pared antes de operar la máquina.
- ⚠ PELIGRO:** ¡El trabajo con baterías puede resultar peligroso! Siempre utilice protección ocular y ropa de protección cuando trabaje cerca de baterías. Sáquese todas las joyas. No coloque herramientas ni otros objetos metálicos encima de los bornes de las baterías o de las partes superiores de las mismas.
- ⚠ PELIGRO:** El uso de un cargador con un cable de alimentación dañado puede producir una electrocución. No utilice el cargador si el cable de alimentación está dañado.
- ⚠ ADVERTENCIA:** Si opera la máquina desde cualquier parte que no sea la parte posterior de la misma se pueden producir lesiones o daños. Opere la máquina sólo desde la parte posterior.
- ⚠ ADVERTENCIA:** La máquina es pesada. Obtenga ayuda antes de intentar transportarla o moverla. Utilice dos personas capaces para mover la máquina sobre una rampa o inclinación. Mueva siempre lentamente. No haga girar la máquina en una rampa. Si se opera la máquina en una pendiente de más del 2%, no se detenga, gire ni estacione. Lea la sección "Procedimientos para transporte" de este manual antes de transportar la máquina.
- ⚠ ADVERTENCIA:** Las máquinas pueden volcar si se las conduce por bordes de escalones o de muelles de carga, causando lesiones o daños. Detenga la máquina y déjela solamente en superficies uniformes. Cuando detenga la máquina, gire la llave a "OFF" (apagado). Ponga el freno de estacionamiento.



**ADVERTENCIA:** El mantenimiento y las reparaciones realizados por personal no autorizado podrían producir daños o lesiones. El mantenimiento y las reparaciones sólo deben ser realizados por personal autorizado de Clarke.



**ADVERTENCIA:** Todas las alteraciones o modificaciones realizadas a esta máquina pueden producir daños a la misma o lesiones al operador o a otras personas que se encuentren en el lugar. Las alteraciones o modificaciones no autorizadas por el fabricante anulan todas las garantías y responsabilidades.



**ADVERTENCIA:** Los componentes eléctricos de esta máquina pueden producir un cortocircuito si se exponen al agua o a la humedad. Mantenga secos los componentes eléctricos de la máquina. Limpie la máquina después de cada uso. Almacene la máquina en un lugar cubierto y seco.



**ADVERTENCIA:** La operación de una máquina sin respetar todas las etiquetas e instrucciones puede producir lesiones o daños. Lea todas las etiquetas de la máquina antes de intentar hacerla funcionar. Compruebe que todas las etiquetas y las instrucciones se encuentren unidas o sujetas a la máquina. Consiga etiquetas y placas de repuesto de su distribuidor Clarke.



**ADVERTENCIA:** Si la superficie del piso está húmeda puede resultar resbalosa. Las soluciones de agua o los materiales de limpieza que se utilizan con este tipo de máquina pueden dejar mojadas algunas zonas del piso. Estas áreas pueden resultar peligrosas para el operador o para otras personas. Coloque siempre avisos de "Precaución" alrededor y cerca del área que esté limpiando.



**ADVERTENCIA:** La descarga inapropiada de aguas residuales puede dañar el medio ambiente y ser ilegal. La Agencia de Protección Ambiental (EPA) de los Estados Unidos ha establecido determinadas reglamentaciones relacionadas con la descarga de aguas residuales. Además, reglamentaciones locales, estatales y nacionales relacionadas con esta descarga pueden también estar vigentes en su zona. Comprenda y respete las reglamentaciones de su zona. Sea consciente de los riesgos para el medio ambiente de los productos químicos que usted elimina.



**PRECAUCIÓN:** Si utiliza esta máquina para desplazar otros objetos o para subirse a la misma se pueden producir lesiones o daños. No utilice esta máquina como escalera ni como mueble. No se suba a la máquina.



**PRECAUCIÓN:** Si no utiliza los repuestos originales de Clarke la garantía de la máquina se anulará. Utilice siempre repuestos de Clarke.

## Introducción

Los nuevos modelos de fregadora automática Focus 38, 33 y 28 de Clarke son máquinas efectivas y de calidad superior para la limpieza de pisos. El modelo Focus 38 utiliza dos cepillos o almohadillas para limpiar un recorrido de 38 pulgadas de ancho. El modelo Focus 33 utiliza dos cepillos o almohadillas para limpiar un recorrido de 33 pulgadas de ancho. El modelo Focus 28 utiliza dos cepillos o almohadillas para limpiar un recorrido de 28 pulgadas de ancho. Una escobilla de goma limpia el piso mientras el motor de vacío quita la solución sucia del piso –y todo esto en una sola pasada.

Las fregadoras automáticas Focus 38, 33 y 28 se entregan completas con seis baterías de 6 voltios, cinco cables conectores de baterías, dos cables de batería, un cargador de batería, dos cepillos o impulsores de almohadillas y un manual del operador.

## Especificaciones de la máquina

### ESPECIFICACIONES:

Modelo	S38	S33	S28
Motor de vacío	de 1 HP (0,74kw) de descarga tangencial	de 1HP (0,74kw) de descarga tangencial de tres etapas	de 1HP (0,74kw) de descarga tangencial de tres etapas de tres
etapas		Fuente de alimentación	36 voltios (baterías de 6-6V) 250AH, 330AH 250AH.
36 voltios (baterías de 6-6V)	36 voltios (baterías de 6-6V)		
330AH	250AH, 330AH		
Depósito de solución	30 galones (114 litros)	30 galones (114 litros)	30 galones (114 litros)
Depósito de recuperación	30 galones (114 litros)	30 galones (114 litros)	30 galones (114 litros)
Motores, cepillos (2)	1 hp PM (0,74kw)	1 hp PM (0,74kw)	1 hp PM (0,74kw)
Tracción del motor	0,50 hp PM (0,37kw)	0,50 hp PM (0,37kw)	0,50 hp PM (0,37kw)
Cepillos (2)	19 pulgadas (48cm)	17 pulgadas (43cm)	14 pulgadas (36cm)
con 5" (1,5cm) de superposición	con 5" (1,5 cm) de superposición	con 5" (1,5 cm) de superposición	Velocidad del cepillo
200 rpm	200 rpm	200 rpm	
Presión del cepillo	Variable: 150 lbs. - 220 lbs.	Variable: 150 lbs. - 220 lbs.	Variable: 150 lbs. - 220 lbs.
Velocidad hacia delante	Variable, hasta 230 ft./min. (70 m/min)	Variable, hasta 230 ft./min. (70 m/min)	Variable, hasta 230 ft./min. (70 m/min)
Velocidad hacia atrás	Variable, hasta 180 ft./min. (54 m/min)	Variable, hasta 180 ft./min. (54 m/min)	Variable, hasta 180 ft./min. (54 m/min)
Cargador	36V, 21A, 115V/60hz	36V, 21A, 115V/60hz	36V, 21A, 115V/60hz
Longitud	68,28 pulgadas (173 cm)	67 pulgadas (170 cm)	65 pulgadas (165 cm)
Anchura - Máquina	40,33 pulgadas (102 cm)	35,70 pulgadas (91 cm)	30 pulgadas (76 cm)
Altura	43,75 pulgadas (112cm)	43,75 pulgadas (112cm)	43,75 pulgadas (112cm)
Tasa de limpieza	42.000 pies cuadrados/hora (3901 metros cuadrados/hora)	35.000 pies cuadrados/hora (3252 metros cuadrados/hora)	29.700 pies cuadrados/hora (2750 metros cuadrados/hora)
Amplitud de limpieza	38 pulgadas (97 cm)	33 pulgadas (84 cm)	28 pulgadas (71 cm)
Limpieza en pendiente	Inclinación de 6°	Inclinación de 6°	Inclinación de 6°
Peso con baterías (330AH)	1025 lbs. 465kg	1015 lbs. 460kg	1005 lbs. 456kg
Peso de envío con baterías (330AH)	1328 lbs. 602kg	1318 lbs. 598kg	1308 lbs. 593kg
Ruido	76.5 dBA	76.5 dBA	76.5 dBA
Vibraciones	<2.5 m/s <sup>2</sup>	<2.5 m/s <sup>2</sup>	<2.5 m/s <sup>2</sup>


**Especificaciones de la máquina**

**ESPECIFICACIONES:**

Modelo	L38	L33	L28
Motor de vacío	de 1 HP (0,74kw) de descarga tangencial de tres etapas	de 1HP (0,74kw) de descarga tangencial de tres etapas	de 1HP (0,74kw) de descarga tangencial de tres etapas
Fuente de alimentación	36 voltios (baterías de 6-6V) 250AH, 330AH	36 voltios (baterías de 6-6V) 250AH, 330AH	36 voltios (baterías de 6-6V) 250AH, 330AH
Depósito de solución	30 galones (114 litros)	30 galones (114 litros)	30 galones (114 litros)
Depósito de recuperación	30 galones (114 litros)	30 galones (114 litros)	30 galones (114 litros)
Motores, cepillos (2)	1 hp PM (0,74kw)	1 hp PM (0,74kw)	1 hp PM (0,74kw)
Tracción del motor	0,50 hp PM (0,37kw)	0,50 hp PM (0,37kw)	0,50 hp PM (0,37kw)
Cepillos (2) con 5" (1,5cm) de superposición	19 pulgadas (48cm) con 5" (1,5 cm) de superposición	17 pulgadas (43cm) con 5" (1,5 cm) de superposición	14 pulgadas (36cm) Velocidad del cepillo
200 rpm	200 rpm	200 rpm	200 rpm
Presión del cepillo	Variable: 140 lbs. - 220 lbs.	Variable: 140 lbs. - 220 lbs.	Variable: 140 lbs. - 220 lbs.
Velocidad hacia delante	Variable, hasta 230 pies/min. (70 m/min)	Variable, hasta 230 pies/min. (70 m/min)	Variable, hasta 230 pies/min. (70 m/min)
Velocidad hacia atrás	Variable, hasta 180 pies/min. (54 m/min)	Variable, hasta 180 pies/min. (54 m/min)	Variable, hasta 180 pies/min. (54 m/min)
Cargador	36V, 21A, 115V/60hz	36V, 21A, 115V/60hz	36V, 21A, 115V/60hz
Longitud	68,28 pulgadas (173 cm)	67 pulgadas (170 cm)	65 pulgadas (165 cm)
Anchura - Máquina	40,33 pulgadas (102 cm)	35,70 pulgadas (91 cm)	30 pulgadas (76 cm)
Altura	43,75 pulgadas (112cm)	43,75 pulgadas (112cm)	43,75 pulgadas (112cm)
Tasa de limpieza	42.000 pies cuadrados/hora (3901 metros cuadrados/hora)	35.000 pies cuadrados/hora (3252 metros cuadrados/hora)	29.700 pies cuadrados/hora (2750 metros cuadrados/hora)
Amplitud de limpieza	38 pulgadas (97 cm)	33 pulgadas (84 cm)	28 pulgadas (71 cm)
Limpieza en pendiente	Inclinación de 6°	Inclinación de 6°	Inclinación de 6°
Peso con baterías (330AH)	1025 lbs. 465kg	1015 lbs. 460kg	1005 lbs. 456kg
Peso de envío con baterías (330AH)	1328 lbs. 602kg	1318 lbs. 598kg	1308 lbs. 593kg
Ruido	76.5 dBA	76.5 dBA	76.5 dBA
Vibraciones	<2.5 m/s <sup>2</sup>	<2.5 m/s <sup>2</sup>	<2.5 m/s <sup>2</sup>

## PROCEDIMIENTOS PARA TRANSPORTE


### Colocación de la máquina en una furgoneta o un camión

 **ADVERTENCIA: La máquina es pesada. Asegúrese de utilizar dos personas capaces para ayudar a subir la máquina a la rampa.**

1. Asegúrese de que la rampa de carga tenga al menos 2,4 metros (8 pies) de longitud, y tenga la resistencia suficiente para soportar la máquina.
2. Asegúrese de que la rampa esté limpia y seca.
3. Sitúe la rampa en posición.
4. Extraiga el montaje de la escobilla de goma, los alojamientos de los cepillos y los cepillos o impulsores de almohadillas antes de realizar la carga.
5. Gire el interruptor de llave a la posición "ON" (encendido).
6. Alinee la máquina en una superficie nivelada 3 metros (10 pies) delante de la rampa.
7. Sitúe el interruptor de la velocidad de desplazamiento en la posición "HI" (alta).
8. Oprima uno o ambos interruptores de movimiento hacia adelante.
9. Empuje la máquina hasta la parte superior de la rampa.
10. Gire el interruptor de llave hasta la posición "OFF" (apagado).
11. Asegure la máquina en el vehículo.

### Sacar la máquina de una furgoneta o un camión

1. Asegúrese de que no haya ninguna obstrucción en el área.
2. Asegúrese de que la rampa de descarga tenga al menos 2,4 metros (8 pies) de longitud y de que su resistencia sea suficiente para soportar la máquina.
3. Asegúrese de que la rampa esté limpia y seca.
4. Sitúe la rampa en posición.
5. Suelte la máquina

 **ADVERTENCIA: La máquina es pesada. Asegúrese de utilizar dos personas capaces para ayudar a bajar la máquina por la rampa.**

6. Gire el interruptor de llave hasta la posición "ON" (encendido).
7. Con cuidado y lentamente, empuje la máquina hacia la parte superior de la rampa, manteniendo oprimido cualquiera de los interruptores de movimiento hacia adelante y el interruptor de movimiento en reversa.
8. Sitúe el interruptor de la velocidad de desplazamiento en la posición de rango medio. A medida que la máquina comience a descender por la rampa, mantenga una velocidad de descenso lenta, oprimiendo cualquiera de los interruptores de movimiento hacia adelante.
9. Vuelva a colocar el montaje de la escobilla de goma, los alojamientos de los cepillos y los cepillos o impulsores de almohadillas una vez que la máquina haya sido descargada y esté lista para usar.

**SÍMBOLOS UTILIZADOS EN LOS MODELOS FOCUS S28, S33 y S38**



Símbolo de alerta de riesgo



Presión adicional del cepillo



Interruptor de llave On/Off  
(encendido/ apagado)



Medidor de carga /batería



Cepillo Arriba/ Abajo



Control de solución



Alimentación

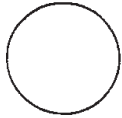


Control de velocidad de desplazamiento

**SÍMBOLOS UTILIZADOS EN LOS MODELOS FOCUS L28, L33 y L38**



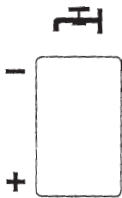
Símbolo de alerta de riesgo



Interruptor de llave On/Off  
(encendido/ apagado)



Escobilla de goma Arriba/ Abajo



Control de solución



Interruptor de cuentavuelas  
calibrado en horas de trabajo



Alimentación



Control de velocidad de  
desplazamiento



Cepillo Arriba/ Abajo



Indicador de carga



Interruptor de pulsación única

## PANEL DE CONTROL DE LA MÁQUINA S28, S33 y S38

### **Interruptor de llave** (consulte la figura 1, elemento "A")

El interruptor de llave enciende el suministro de energía del panel de control. "0" significa "OFF" (apagado) e "I" significa "on" (encendido).

### **Velocidad de desplazamiento** (consulte la figura 1, elemento "B")

El control de velocidad varía de velocidad baja a alta. Para aumentar la velocidad, gire la perilla hacia la derecha. Para reducir la velocidad, gire la perilla hacia la izquierda.

### **Interruptor de cepillo Arriba/Abajo** (consulte la figura 1, elemento "C")

El interruptor del cepillo tiene dos posiciones: "Up" (arriba) sube los cepillos; "Down" (abajo) baja los cepillos al piso. Los motores de los cepillos se encienden cuando los cepillos están en posición "abajo" y se presiona el interruptor de desplazamiento.

### **Interruptor de incremento de presión del cepillo** (consulte la figura 1, elemento "D")

Este interruptor se utiliza para incrementar la presión de cepillos. Puede que sea necesario incrementar la presión de cepillos al realizar la limpieza o el pulido de pisos muy dañados. Para incrementar la presión de cepillos, primero baje los cepillos a la posición "Down" (abajo), presionando el interruptor de cepillos Arriba/Abajo (elemento "C"). Esto bajará los cepillos hacia la posición normal de limpieza. Para incrementar la presión de cepillos, mantenga oprimido el interruptor (elemento "D") hasta alcanzar la presión de cepillos deseada o hasta que la plataforma del cepillo deje de moverse hacia abajo. Para volver a configurar la presión de cepillo a su ajuste normal, oprima el interruptor de cepillo Arriba/Abajo (elemento "C") hasta la posición "Up" (arriba), y una vez que la plataforma del cepillo haya subido por completo, vuelva a colocar el interruptor en posición "Down" (abajo) para una limpieza normal.

### **Perilla de control de la solución** (consulte la figura 1, elemento "E")

La perilla de control de la solución regula el flujo de solución química hasta el piso. Para aumentar el flujo, gire la perilla en el sentido de las agujas del reloj. Para reducir el flujo, gire la perilla en sentido contrario al de las agujas del reloj.

### **Interruptor de movimiento hacia adelante** (consulte la figura 1, elemento "F")

El interruptor de movimiento hacia adelante enciende ("on") el motor de desplazamiento, y activa además los motores del cepillo si éstos están en posición "down" (abajo) y el módulo de control de la solución. Puede utilizarse el interruptor izquierdo o el derecho.

### **Interruptor de movimiento en reversa** (consulte la figura 1, elemento "G")

El interruptor de movimiento en reversa, cuando se utiliza junto con uno de los interruptores de movimiento hacia adelante, hace que la máquina invierta la dirección de movimiento. La velocidad en reversa es un 70% de la velocidad alcanzada en el movimiento hacia adelante.

### **Medidor de carga / batería** (consulte la figura 1, elemento "H")

El medidor de carga/batería indica que se está cargando la batería, cuando se enchufa el cargador a un tomacorriente de C.A. También indica la cantidad de carga que queda en las baterías mientras la máquina está en uso. Cuando el cargador de batería posee baja carga, comenzará a parpadear la luz roja y los motores del cepillo/almohadilla se apagarán.

### **Disyuntores** (consulte la figura 1, elementos "I" - "M")

Los botones de reposición de los disyuntores están ubicados en el panel de control. Los disyuntores están situados de la siguiente forma: Elementos I y J – Motores del cepillo (35A); elemento K – Motor de desplazamiento (30A); elemento L – Motor de vacío (25A); elemento M – Motor actuador, Cabezal del cepillo (5A)

Cuando se dispare un disyuntor, determine el motor que no está funcionando y gire el interruptor de llave a "OFF" (apagado). Espere cinco minutos y pulse el botón de reposición. Gire el interruptor de llave a "ON" (encendido) y vuelva a intentarlo. Si el disyuntor se dispara de nuevo, hay que ponerse en contacto con una persona del servicio técnico autorizado.

### **Cuentavueltas calibrado en horas de trabajo** (consulte la figura 1, elemento "N")

El cuentavueltas calibrado en horas de trabajo indica el número de horas que ha funcionado la máquina. Sólo funciona cuando la máquina se mueve hacia adelante o hacia atrás.



PANEL DE CONTROL DE LA MÁQUINA S28, S33 y S38

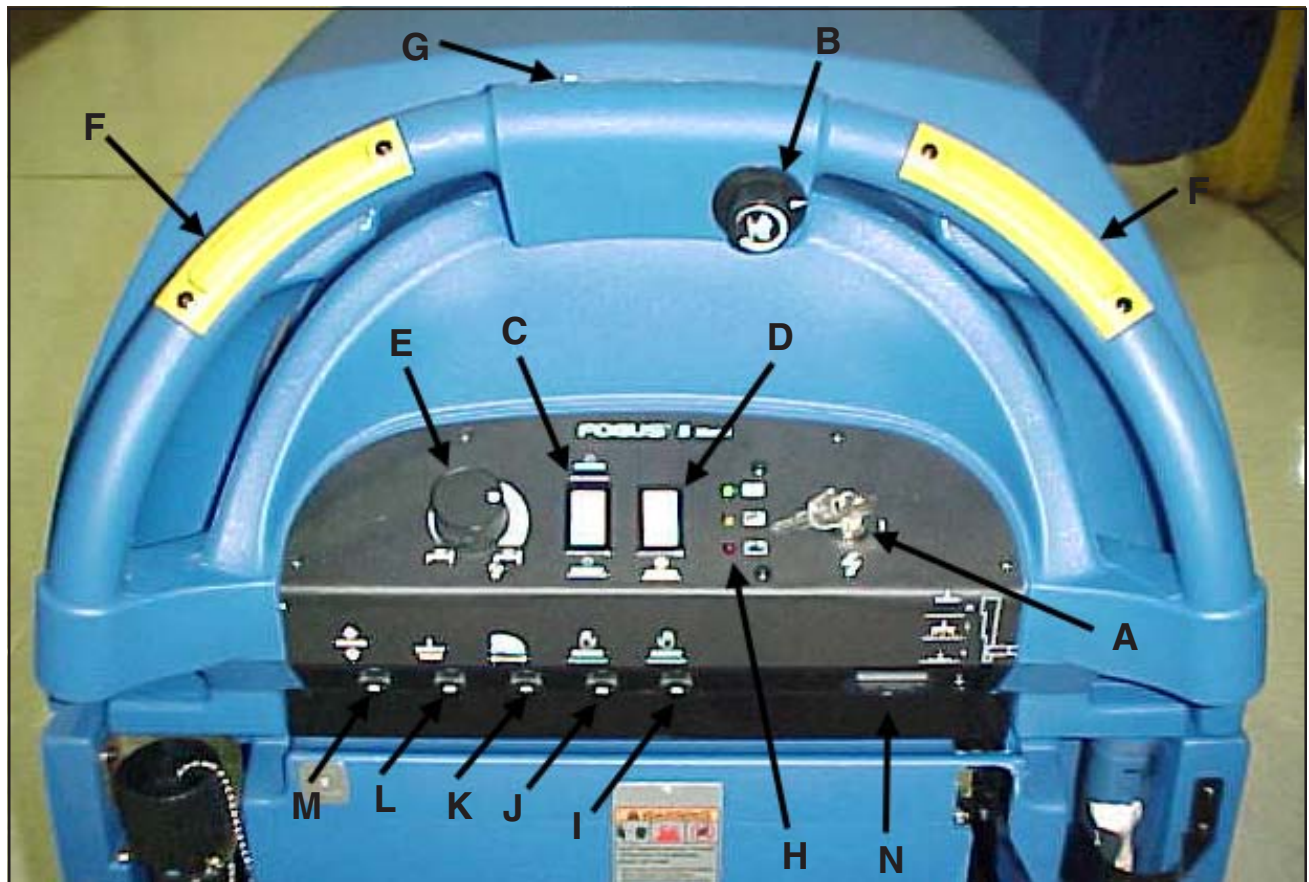


Figura 1

## PANEL DE CONTROL DE LA MÁQUINA L28, L33 y L38

### **Interruptor de llave** (consulte la figura 2, elemento "A")

El interruptor de llave enciende el suministro de energía del panel de control. "O" significa "OFF" (apagado) e "I" significa "ON" (encendido).

### **Velocidad de desplazamiento** (consulte la figura 2, elemento "B")

El control de velocidad varía de velocidad baja a alta. Para aumentar la velocidad, gire la perilla hacia la derecha. Para reducir la velocidad, gire la perilla hacia la izquierda.

### **Interruptor de escobilla de goma Arriba/Abajo** (consulte la figura 2, elemento "C")

El interruptor de la escobilla de goma se utiliza para levantar y bajar la misma y para encender y apagar el motor de vacío. La escobilla de goma desciende y el motor de vacío se enciende cuando se coloca el interruptor en la posición baja. Para levantar la escobilla de goma, coloque el interruptor en la posición "arriba". El motor de vacío se detiene, luego de una breve demora, cuando se coloca el interruptor en la posición arriba.

La posición media se utiliza para el control de una sola pulsación. La escobilla de goma se levanta y se baja, y la aspiradora se enciende y se apaga de forma automática cuando se utiliza la función de control de pulsación única.

**NOTA: El interruptor de la escobilla de goma debe estar en la posición media para que la escobilla y la aspiradora funcionen de forma adecuada con la función de pulsación única.**

### **Interruptor de cepillo Arriba/Abajo** (consulte la figura 2, elemento "D")

Para bajar el cabezal del cepillo, coloque el interruptor del cepillo en la posición "abajo" (+). Para incrementar la presión del cepillo, mantenga presionado el interruptor del cepillo en la posición "abajo" (+) hasta alcanzar la presión deseada, o hasta que se detenga el desplazamiento del cabezal del cepillo. Los motores del cepillo arrancan y la solución fluye [siempre que la misma esté "ON" (encendida)] cuando la máquina comienza a desplazarse. Para levantar el cabezal del cepillo coloque el interruptor del cepillo en la posición "arriba" (-) hasta detener el desplazamiento del cabezal del cepillo o hasta alcanzar la posición deseada.

### **Perilla de control de solución** (consulte la figura 2, elemento "E")

El interruptor del flujo de solución regula el flujo de solución química hasta el piso. Para incrementar el flujo, pulse el interruptor de flujo de solución en la posición "abajo" (+) hasta alcanzar el flujo deseado. Para reducir el flujo, pulse el interruptor de flujo de solución en la posición "arriba" (-) hasta alcanzar el flujo deseado. Para apagar el flujo de solución, pulse el interruptor de flujo de solución en la posición "arriba" (-) hasta que no se visualicen indicadores en la pantalla.

**NOTA: ¡NO opere la máquina en seco! NOTA: La solución sólo fluirá cuando la máquina esté en movimiento.**

### **Interruptor de movimiento hacia adelante** (consulte la figura 2, elemento "F")

El interruptor de movimiento hacia adelante enciende ("on") el motor de desplazamiento, y activa los motores del cepillo si éstos están en posición "down" (abajo) y el módulo de control de solución. Puede utilizarse el interruptor izquierdo o el derecho.

### **Interruptor de movimiento en reversa** (consulte la figura 2, elemento "G")

El interruptor de movimiento en reversa, cuando se utiliza junto con uno de los interruptores de movimiento hacia adelante, hace que la máquina invierta la dirección de movimiento. La velocidad en reversa es un 70% de la velocidad alcanzada en el movimiento hacia adelante.

### **Luz indicadora del cargador** (consulte la figura 2, elemento "H")

Cuando se enchufe el cargador a un tomacorriente de C.A., la luz indicadora verde del cargador parpadeará de forma intermitente. Cuando se haya completado totalmente la carga de las baterías, la luz indicadora verde permanecerá encendida hasta que se desenchufe el cargador.

### **Pulsación única** (consulte la figura 2, elemento "I")

El botón de pulsación única es un botón verde que baja y sube el cabezal del cepillo y la escobilla de goma con una única pulsación. **NOTA:** Si desea más información sobre la función de pulsación única, consulte la sección titulada "Operación de la máquina".

### **Pantalla de cristal líquido** (consulte la figura 2, elemento "J")

La pantalla principal indica el estado de la carga de batería, del cabezal del cepillo, de la solución y de la escobilla de goma. También muestra las horas de funcionamiento de la máquina y códigos de error. **NOTA:** Cuando el cargador de batería posea baja carga, comenzará a parpadear la luz roja y los motores del cepillo/almohadilla se apagarán.

### **Botón de visualización** (consulte la figura 2, elemento "K")

Presionar el botón negro de visualización permite alternar entre las funciones principales de la máquina y el cuentavueeltas calibrado en horas de trabajo. El cuentavueeltas calibrado en horas de trabajo indica el número de horas que ha funcionado la máquina. Muestra la cantidad total de horas de trabajo del motor del cepillo, del motor de vacío, del motor de desplazamiento y de todas las teclas.

**PANEL DE CONTROL DE LA MÁQUINA L28, L33 y L38**

**Disyuntores** (consulte la figura 2, elementos “L”, “M” y “N”)

Los botones de reposición de los disyuntores están ubicados en el panel de control. Los disyuntores están situados de la siguiente forma: Elementos “L” y “M” – Motores del cepillo (35A); elemento “N” – Interruptor de llave (5A).

Cuando se dispare un disyuntor, determine el motor que no está funcionando y gire el interruptor de llave a “OFF” (apagado). Espere cinco minutos y pulse el botón de reposición. Gire el interruptor de llave a “ON” (encendido) y vuelva a intentarlo. Si el disyuntor se dispara de nuevo, hay que ponerse en contacto con una persona del servicio técnico autorizado.

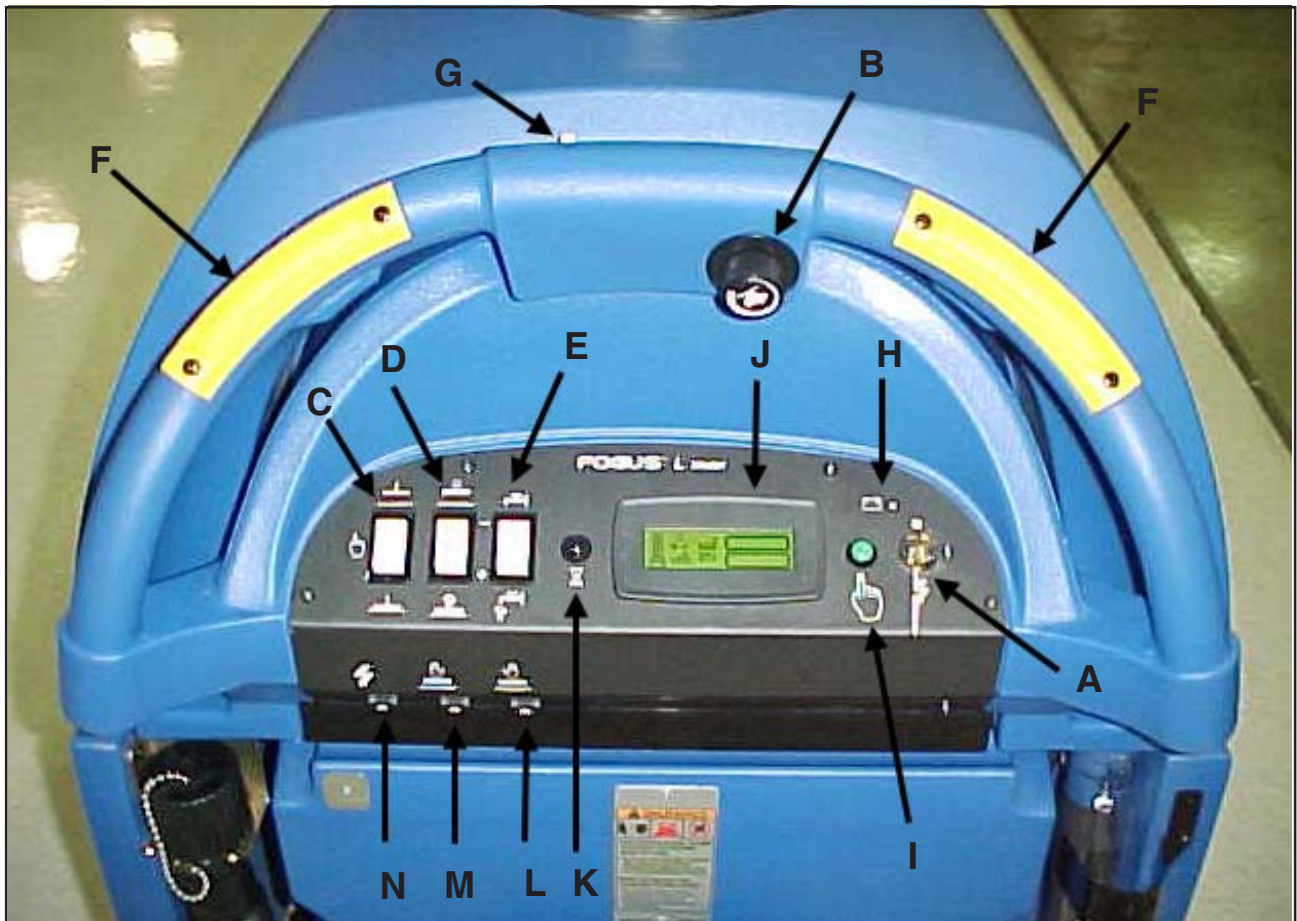
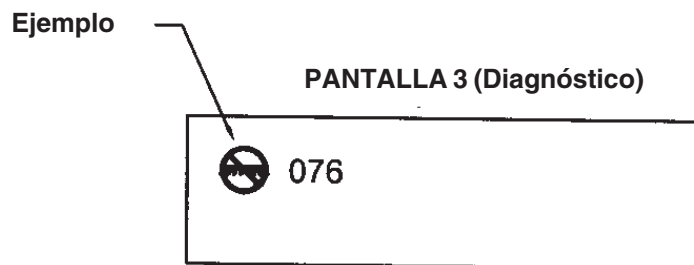
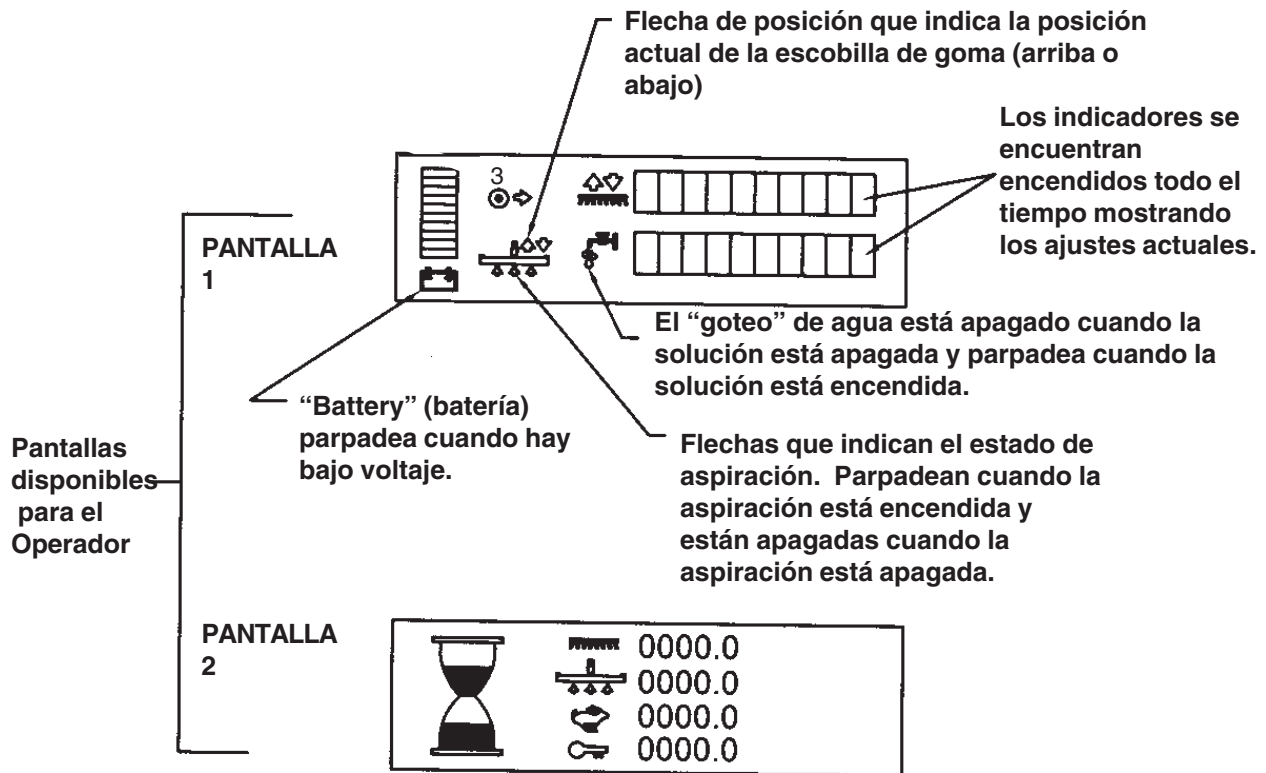


Figura 2

Pantallas de visualización de los modelos FOCUS L28, L33 y L38



Sólo el diagnóstico. No aparece a menos que se produzca un fallo de la máquina. El icono aparece en la pantalla cuando se produce el fallo, y se muestra un código de error.

Consulte “Códigos de error comunes” al final de la “Sección de mantenimiento”.

## CONTROLES Y CARACTERÍSTICAS DE LA MÁQUINA

**Manija de la escobilla de goma** (únicamente en modelos “S Class”) Consulte las figuras 3a, 3b y 3c.

La manija de la escobilla de goma está ubicada bajo las manijas de control, en el lado derecho. Se utiliza para levantar o bajar la escobilla de goma. El motor de vacío se enciende cuando se baja la manija.

**Freno de estacionamiento** (Opcional) Consulte la figura 4.

El freno de estacionamiento impide el movimiento de la máquina. El freno está ubicado en la parte izquierda del motor del transeje. Para aplicar el freno, apague el interruptor de llave o desconecte la alimentación de la batería.

Se dispone de una palanca mecánica ubicada sobre el freno. Es una palanca de transferencia de mando. Para liberar el freno de forma manual, rote la palanca hacia la parte posterior de la máquina (en sentido contrario a las agujas del reloj). Para volver a colocar el freno en posición normal, o para aplicar el freno, rote la palanca hacia la parte delantera de la máquina (en el sentido de las agujas del reloj). **NOTA: Si se deja la palanca en posición de transferencia de mando, el freno no funcionará al pulsar el interruptor de llave, y la máquina no se pondrá en funcionamiento.**

**⚠ PRECAUCIÓN:** No active el freno mientras la máquina está en movimiento.

**Apagado del flotador** Consulte la figura 5.

El interruptor de apagado del motor de vacío está ubicado en el depósito de recuperación. Apaga automáticamente el motor de vacío cuando el depósito de recuperación está lleno.

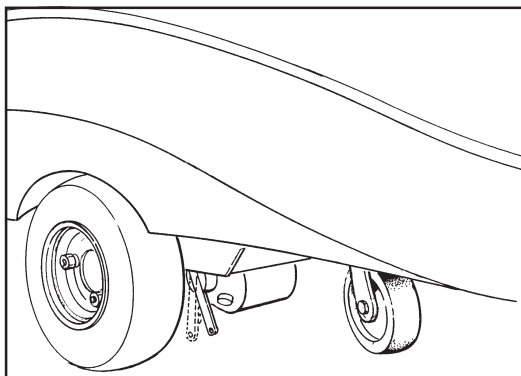


Figura #4



Figura #5



Figura #3a



Figura #3b



Figura #3c

**PREPARACIÓN DE LA MÁQUINA  
PARA EL FUNCIONAMIENTO**

**Instalación de las baterías**

Las máquinas Focus 28, 33 y 38 utilizan seis baterías de 6 voltios. Dichas baterías están situadas en el compartimiento para baterías, debajo del depósito de recuperación.

Para instalar las baterías siga este procedimiento:

1. Apague el interruptor de llave.
2. Compruebe que ambos depósitos estén vacíos.
3. Desconecte las mangueras del depósito de recuperación (depósito superior) y desenchufe el motor de vacío y el interruptor del flotador.
4. Extraiga la abrazadera de apoyo del depósito.
5. Extraiga el depósito de recuperación.
6. Sitúe las baterías en el depósito de solución, como se indica en las figuras 6a y 6b.

**⚠ ADVERTENCIA:** Si se levantan las baterías sin ayuda puede provocarse una lesión. Solicite ayuda para levantar las baterías. Las baterías son pesadas.

**⚠ ADVERTENCIA:** el trabajo con baterías puede resultar peligroso. Siempre utilice protección ocular y ropas de protección cuando trabaje cerca de las baterías. **¡PROHIBIDO FUMAR!**

7. Conecte los cables de las baterías entre baterías, e instale el montaje del cable largo de la batería tal y como se indica. Consulte las figuras 6a y 6b.
8. Instale el depósito, volviendo a conectar las mangueras y enchufando el motor de vacío y los conectores del interruptor del flotador. Instale la abrazadera de apoyo del depósito.

**NOTA:** Cargue las baterías antes de utilizar la máquina.

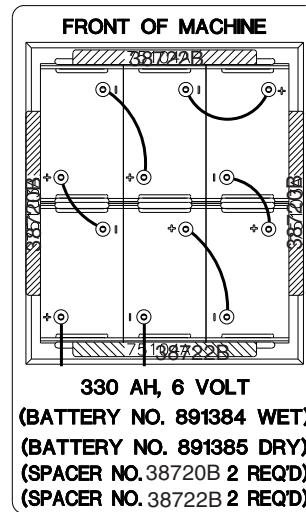


Figura #6a

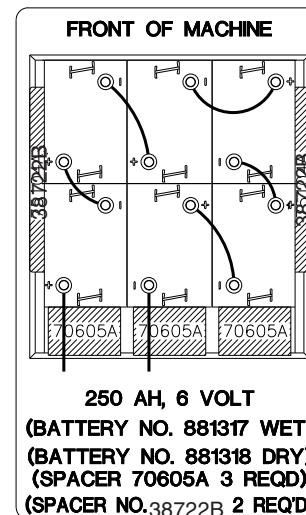


Figura #6b

## PREPARACIÓN DE LA MÁQUINA PARA EL FUNCIONAMIENTO

### Mantenimiento de las baterías

La energía eléctrica para el funcionamiento de la máquina proviene de las baterías de acumuladores. Las baterías de acumuladores necesitan un mantenimiento preventivo.

**ADVERTENCIA:** El trabajo con baterías puede resultar peligroso. Siempre utilice protección ocular y ropa de protección cuando trabaje cerca de baterías.  
**¡PROHIBIDO FUMAR!**

Para mantener las baterías en buen estado siga estas instrucciones:

1. Mantenga el electrolito al nivel correcto. El nivel correcto se encuentra entre 1/4" (1/2 cm) por debajo del fondo del tubo en cada elemento y por encima de las partes superiores de las placas. Verifique el nivel del electrolito cada vez que cargue las baterías. Consulte la figura 7.

**NOTA:** Verifique el nivel del electrolito antes de cargar las baterías. Asegúrese de que las placas en cada elemento estén cubiertas con electrolito. No cubra por completo los elementos antes de cargar la batería. El electrolito se expande durante la carga. Como resultado de ello, el electrolito podría desbordarse de los elementos. Cubra siempre los elementos con agua destilada después de la carga.

**⚠ PRECAUCIÓN:** si el nivel del electrolito no cubre las placas, las baterías sufrirán un daño irreversible. Mantenga el electrolito al nivel correcto.

**⚠ PRECAUCIÓN:** La máquina se puede dañar y las partes superiores de las baterías pueden descargarse si las baterías se llenan por encima del fondo del tubo en cada elemento. No llene las baterías hasta el fondo del tubo en cada elemento. Limpie cualquier resto de ácido de la máquina o de las partes superiores de las baterías. Nunca agregue ácido a una batería después de su instalación.

**⚠ PRECAUCIÓN:** El agua del grifo puede contener elementos contaminantes que dañen las baterías. Sólo se deben recargar las baterías con agua destilada.

2. Mantenga las partes superiores de las baterías limpias y secas. Mantenga los bornes y conectores limpios. Para limpiar la parte superior de las baterías, utilice un trapo mojado con una solución aguada de amoníaco o solución de bicarbonato de sodio. Para limpiar los bornes y conectores, utilice una herramienta de limpieza para bornes y conectores. No permita que entren en las baterías amoníaco ni bicarbonato.
3. Mantenga las baterías cargadas.

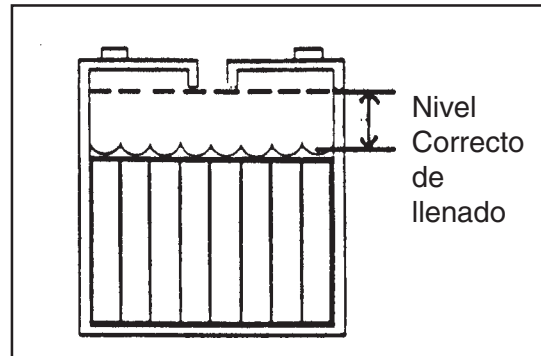


Figura 7

## PREPARACIÓN DE LA MÁQUINA PARA EL FUNCIONAMIENTO

### Carga de las baterías

- ⚠ ADVERTENCIA:** La carga de las baterías en una zona sin ventilación adecuada puede producir una explosión. Para evitar una explosión cargue las baterías solamente en áreas con buena ventilación.
- ⚠ ADVERTENCIA:** las baterías de plomo generan gases que pueden causar una explosión. Mantenga las baterías alejadas de chispas y llamas. ¡PROHIBIDO FUMAR!

Para cargar las baterías siga este procedimiento:

1. Asegúrese de que el interruptor de llave se encuentre en la posición "OFF" (apagado).
2. Antes de cargar las baterías, es necesario ventilar el compartimiento para baterías. Para ventilar el compartimiento, voltee el depósito de recuperación hacia arriba, hasta que se trabaje en la posición "abierto" (consulte la figura 8). Para cerrar el depósito, levante el brazo y luego baje lentamente el depósito hacia la posición "cerrado".

**⚠ PRECAUCIÓN:** Antes de levantar el depósito, asegúrese de que esté vacío.

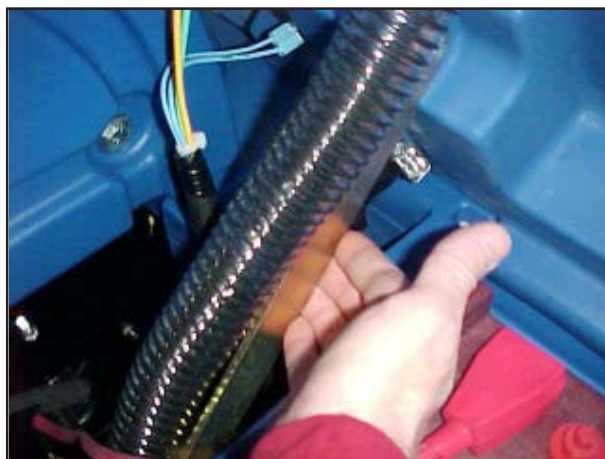
**⚠ ADVERTENCIA:** No haga funcionar la máquina ni realice tareas de mantenimiento mientras el depósito de recuperación está en posición "abierto". Podría golpearse accidentalmente el depósito y hacer que éste se cierre bruscamente.

3. Conecte el cable de C.A. del cargador de la batería ubicado en la parte posterior de la máquina a un receptáculo de pared de 15 amperes (mín.) 120V debidamente conectado a tierra.
4. Observe la luz indicadora para comprobar que el proceso de carga ha comenzado. Si las luces parpadean, esto indica que las baterías se están cargando. La luz verde fija indica que se ha completado la carga de las baterías.

NOTA: Compruebe que el circuito en el que desea enchufarlo no esté cargado con otros equipos. Los interruptores de pared pueden activarse y no se producirá la carga.

**⚠ ADVERTENCIA:** Nunca cargue una batería de GEL con un cargador de batería inadecuado. Siga cuidadosamente las instrucciones provistas por el fabricante de las baterías y del cargador de baterías.

NOTA: Para evitar que las baterías se dañen de forma permanente, evite que se descarguen por completo. Nunca deje las baterías completamente descargadas aún cuando la máquina no se use. Al recargar las baterías, mantenga abierto el depósito de recuperación. Cada 20 operaciones de recarga, verifique el nivel de electrolito, y de ser necesario cubra por completo con agua destilada.



**Figura # 8**



## PREPARACIÓN DE LA MÁQUINA PARA EL FUNCIONAMIENTO

### Instalación de los cepillos o impulsores de almohadillas

Para instalar los cepillos o los impulsores de almohadillas en la máquina, siga este procedimiento:

1. Gire el interruptor de llave hasta la posición "ON" (encendido).
2. Sitúe el interruptor del cepillo en la posición "UP" (arriba).
3. Gire el interruptor de llave hasta la posición "OFF" (apagado).
4. Diríjase a la parte delantera de la máquina.
5. Desenganche los alojamientos derecho e izquierdo del cepillo y extráigalos. Consulte la figura 9.
6. Coloque un cepillo o un impulsor de almohadilla debajo de la placa del motor del cepillo. Consulte la figura 10.
7. Alinee las lengüetas en la suspensión cardánica del motor con las ranuras de la suspensión cardánica del cepillo.
8. Levante el cepillo hasta que la suspensión cardánica se trabé.
9. Repita los pasos 6, 7 y 8 para instalar el segundo cepillo o impulsor de almohadilla.

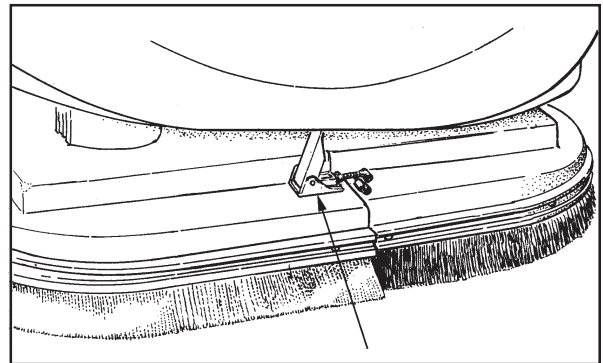


Figura #9

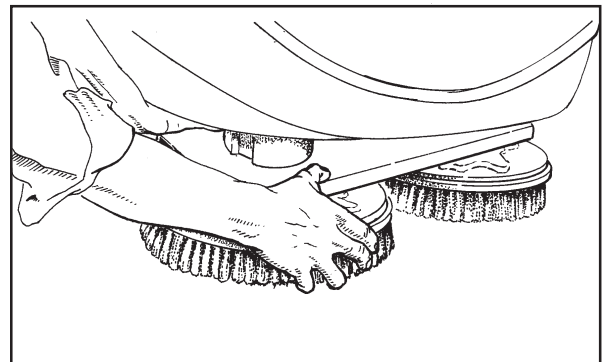


Figura #10

### Extracción de los cepillos o impulsores de almohadillas

Para extraer los cepillos o impulsores de almohadillas de la máquina, siga este procedimiento:

1. Gire el interruptor de llave hasta la posición "ON" (encendido).
2. Sitúe el interruptor del cepillo en la posición "UP" (arriba).
3. Gire el interruptor de llave hasta la posición "OFF" (apagado).
4. Diríjase a la parte delantera de la máquina.
5. Empuje hacia abajo los dos lados del cepillo o impulsor de almohadillas, hasta que se liberen las suspensiones cardánicas.

## OPERACIÓN DE LA MÁQUINA

### **Operación del sistema de pulsación única (únicamente modelos "L Class")**

La limpieza con pulsación única es una función de la nueva fregadora Focus sin conductor. El valor por omisión de fábrica para esta configuración es de dos barías de presión de cepillo y cuatro barías para el flujo de la solución, y la escobilla de goma en la posición baja.

1. Oprima y suelte el botón verde para que comiencen todas las funciones de limpieza; consulte la figura 11, elemento A.
2. La escobilla de goma y el cabezal del cepillo bajan hasta el piso y comienza la aspiración. **NOTA:** El interruptor de la escobilla de goma debe estar en la posición media para que la escobilla funcione de forma adecuada con la función de pulsación única; consulte la figura 11, elemento B.
3. Los cepillos y el flujo de la solución se encenderán sólo cuando usted comience el desplazamiento.
4. La limpieza se realiza con los ajustes por omisión de fábrica, sin embargo, es posible reprogramar estos ajustes según sus especificaciones. Consulte la sección siguiente: "Reprogramación de la operación de pulsación única".
5. Para finalizar el proceso de limpieza, oprima nuevamente el botón verde y se detiene la solución, los cepillos se levantan, luego de una breve demora la escobilla de goma se levanta y el motor se apaga.

**NOTA:** Está diseñada para que esta operación se realice mientras se desplaza. Si se detiene y lo hace, puede quedar un poco de solución en el piso.

### **Reprogramación de la operación de pulsación única**

Si no desea utilizar los ajustes por omisión de fábrica, puede reprogramar la configuración siguiendo los procedimientos a continuación:

1. Coloque la máquina en la condición de barrido deseada mediante el uso de los interruptores de pulsación única e individual.
2. Mantenga oprimido el botón verde de pulsación única hasta que vea parpadear la pantalla de cristal líquido; luego, suelte el botón. **NOTA: El tiempo necesario debe ser de aproximadamente 5 segundos.**
3. Cuando activa o desactiva la pulsación única, entonces la máquina queda configurada según su preferencia para la limpieza. Estas configuraciones permanecen hasta que desconecte la energía o las vuelva a programar. **NOTA: Cuando realice la programación de pulsación única, compruebe que la escobilla de goma esté en la posición automática (media), de lo contrario puede programar la escobilla de goma arriba o abajo todo el tiempo.**

### **Cambio de la operación de pulsación única por las configuraciones por omisión de fábrica**

Para restablecer las configuraciones de fábrica, siga los procedimientos a continuación:

1. Mantenga oprimido el botón verde de pulsación única hasta que vea parpadear la pantalla de cristal líquido dos veces (con un intervalo de 5 segundos entre cada parpadeo); consulte la figura 11. **NOTA: Esta operación demora aproximadamente 10 segundos.**
2. Las configuraciones deben volver a 4 barías de solución y 2 barías de presión del cepillo. **NOTA: El interruptor de aspiración de la escobilla de goma debe estar en la posición media para que funcionen las configuraciones por omisión.**



**Figura #11**

## OPERACIÓN DE LA MÁQUINA

### Operación de la escobilla de goma (únicamente modelos "S Class")

La escobilla de goma limpia el piso mientras el motor de vacío quita la solución sucia del piso. Utilice su mano derecha para levantar o elevar la manija de la escobilla de goma. Para operar la escobilla de goma siga este procedimiento:

1. Para bajar la escobilla de goma y encender el motor de vacío, mueva la palanca de la escobilla de goma hacia la derecha y hacia abajo. Consulte la figura 12.
2. Para levantar la escobilla de goma, levante la palanca de la escobilla hacia arriba. Consulte la figura 13.



Figura #12



Figura #13

**Nota:** La posición media permite que el motor de vacío continúe funcionando, con la escobilla de goma separada del piso, para evitar goteos.

### Llenado del depósito de solución

**⚠ PRECAUCIÓN:** Compruebe que el agua o la solución no ingresen por la abertura hacia el motor de vacío. Consulte la figura 14.

El depósito de solución puede llenarse por la parte delantera o a través de la manguera de drenaje limpia ubicada en la parte posterior de la máquina. Para cargar el depósito de solución, siga este procedimiento:

1. Extraiga la tapa del depósito de solución. Consulte la figura 15.
2. Llene el depósito de solución con agua.
3. Agregue un químico de limpieza al agua. Para conocer la cantidad correcta del producto químico, siga las instrucciones que figuran en el recipiente.



Figura #14

**⚠ ADVERTENCIA:** Las soluciones de agua o los materiales de limpieza que se utilizan con este tipo de máquina pueden dejar mojadas algunas zonas del piso. Estas áreas pueden resultar peligrosas para el operador o para otras personas. Coloque siempre avisos de "PRECAUCIÓN" cerca del área que está limpiando.



Figura #15

**⚠ ADVERTENCIA:** Las máquinas pueden encender materiales y vapores inflamables. No utilice la máquina con materiales inflamables como gasolina, polvo de cereales, solventes o diluyentes; ni cerca de ellos. Utilice sólo la concentración de limpieza recomendada por el fabricante de productos químicos.

**⚠ ADVERTENCIA:** Clarke recomienda un máximo de temperatura para el agua de 120°F (49°C).

4. Vuelva a colocar la tapa del depósito de solución.
5. Cuando llene la máquina por la parte posterior, ubique la manguera de drenaje limpia contra la abrazadera e inserte la manguera como se indica en la figura 16. El nivel de solución puede visualizarse desde la parte posterior de la máquina.



Figura #16

**OPERACIÓN DE LA MÁQUINA**

**Desplazamiento de la máquina**

**NOTA:** Sitúe la máquina en la velocidad de desplazamiento lento (consulte la figura 17). Use la máquina en una zona donde no haya ni muebles ni objetos hasta que pueda hacer lo siguiente:

1. Mover la máquina en línea recta, hacia delante y hacia atrás.
2. Detener la máquina de manera segura.
3. Mover la máquina en línea recta tras girar la misma.

Para mover la máquina siga este procedimiento:

1. Gire el interruptor de llave hasta la posición "ON" (encendido).
2. Sitúe el interruptor del cepillo en la posición "UP" (arriba).
3. Levante la escobilla de goma.
4. Para avanzar hacia adelante, pulse uno o ambos interruptores amarillos de movimiento hacia adelante (consulte la figura 18).
5. Para detener la máquina, suelte los interruptores amarillos de movimiento hacia adelante.
6. Para avanzar hacia atrás, pulse al mismo tiempo el botón blanco de movimiento en reversa y uno de los interruptores amarillos de movimiento hacia delante (consulte la figura 19).
7. Para hacer girar la máquina, empuje la parte posterior de la misma hacia el lado.
8. Cuando detenga la máquina, gire el interruptor de llave a "OFF" (apagado) ".



**Figura # 17**



**Figura # 18**

**Limpieza de pisos**

**⚠ ADVERTENCIA:** Las soluciones de agua o los materiales de limpieza que se utilizan con este tipo de máquina pueden dejar mojadas algunas zonas del piso. Estas áreas pueden resultar peligrosas para el operador o para otras personas. Coloque siempre avisos de "PRECAUCIÓN" cerca del área que esté limpiando.

Para limpiar pisos, siga este procedimiento:

1. Coloque el agua y un producto químico de limpieza en el depósito de solución limpio.
2. Gire el interruptor de llave hasta la posición "ON" (encendido). Si utiliza la función de pulsación única, oprima el botón verde y salte al paso 6 (únicamente en modelos de lujo).
3. Baje la escobilla de goma.
4. Sitúe el interruptor del cepillo en la posición "DOWN" (abajo).
5. Ajuste el flujo de solución limpia según desee.
6. Desplace la máquina por el piso, avanzando hacia adelante.
7. Haga un giro de 180°.

**NOTA:** Cuando realice más pasadas por el piso, deje que los cepillos limpien aproximadamente 2 pulgadas (5cm) del área ya limpiada.

**NOTA:** Durante la mayoría de los procedimientos de limpieza, aplique y quite la solución en una sola operación.



**Figura # 19**

## OPERACIÓN DE LA MÁQUINA

### Limpeza de pisos muy sucios

Para limpiar pisos muy sucios, siga este procedimiento:

1. Aplique solución al piso.
2. No baje la escobilla de goma.
3. No active el motor de vacío.
4. Baje los cepillos y limpie el piso.
5. Deje la solución en el piso por el tiempo suficiente necesario para que la solución comience a actuar.
6. Limpie el piso nuevamente con más solución, recogiendo toda la solución con la escobilla de goma.



Figura #20

## MANTENIMIENTO

**⚠ ADVERTENCIA:** El mantenimiento y las reparaciones sólo deben realizarlas personal autorizado.

**⚠ ADVERTENCIA:** Vacíe siempre el depósito de solución y el de recuperación antes de realizar las tareas de mantenimiento.

**⚠ ADVERTENCIA:** Mantenga todas las sujeciones apretadas.

**Hay que realizar estos procedimientos de mantenimiento todos los días**

Mantenga la máquina limpia: necesitará menos reparaciones y tendrá una vida útil más prolongada.

**Efectúe estos procedimientos al comienzo del período de trabajo**

1. Apague el interruptor de llave.
2. Desenchufe el cargador del tomacorriente de C.A. y enrolle el cable alrededor de la abrazadera en la parte posterior de la máquina.
3. Compruebe que la tapa del depósito de recuperación esté en su lugar (consulte la figura 20).
4. Compruebe que el filtro de tela metálica sobre el motor de vacío esté limpio y bien colocado (consulte la figura 20).
5. Compruebe que la válvula de la manguera de drenaje de recuperación esté limpia. Cierre y apriete bien la válvula.
6. Compruebe que los alojamientos de los cepillos y los faldones estén en la posición correcta sobre el cabezal del cepillo.
7. Asegúrese de que los cepillos estén en posición y se hayan instalado correctamente
8. Verifique la instalación de la escobilla de goma y de la manguera de la misma.

**MANTENIMIENTO**

**Efectúe estos procedimientos al final del período de trabajo**

1. Drene el depósito de solución (figura 21, elemento A) y el depósito de recuperación (consulte la figura 21, Elemento B) Para drenar los depósitos, siga este procedimiento:
  - a. Gire el interruptor de llave hasta la posición "OFF" (apagado).
  - b. Extraiga la manguera de drenaje de la parte posterior de la máquina.
  - c. Coloque el extremo de la manguera en un drenaje o en un balde.
  - d. Depósito de recuperación: Gire el alojamiento de la válvula hacia la izquierda (consulte la figura 22). Para abrir la válvula por completo, gire el alojamiento totalmente hacia la izquierda y separe el alojamiento de la válvula.

Depósito de solución:  
 Cuando se baja la manguera por debajo del nivel del agua, ésta fluye (consulte la figura 23).
2. Enjuague los depósitos. Para enjuagar los depósitos, coloque agua limpia en el depósito a través de la abertura que se encuentra en la parte superior.
3. Si el depósito o la manguera de drenaje están obstruidos, use alta presión de agua para lavarlos. Coloque la manguera de agua dentro de la manguera de drenaje.
4. Deje las válvulas de drenaje y los depósitos abiertos para que se sequen con el aire.
5. Verifique la hoja de la escobilla de goma. Use una tela para limpiar la hoja de la escobilla de goma. Si la hoja de la escobilla de goma está dañada o gastada, gire o reemplace la hoja.
6. Revise y limpie la junta de la tapa de recuperación. Use una solución de limpieza suave y enjuague las piezas en agua limpia.

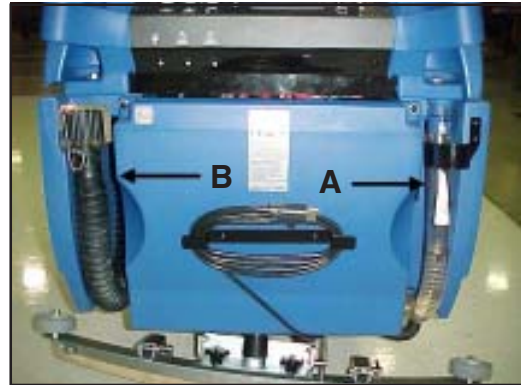
Revise las baterías y agregue agua destilada según resulte necesario. El nivel correcto está dentro de ¼ pulgada del fondo del tubo en cada elemento.

**PRECAUCIÓN:** El agua del grifo puede contener elementos contaminantes que dañen las baterías. **Sólo se deben recargar las baterías con agua destilada.**

**ADVERTENCIA:** Las baterías de plomo generan gases, los cuales pueden causar una explosión. **PROHIBIDO FUMAR.** Siempre utilice protección ocular y ropa de protección cuando trabaje cerca de baterías.

Utilice un trapo limpio y limpie la superficie de la máquina.

Cargue las baterías. Consulte las instrucciones incluidas en la sección de este manual llamada "Carga de las baterías".



**Figura #21**



**Figura #22**



**Figura #23**

## MANTENIMIENTO

Hay que realizar estos procedimientos de mantenimiento todas las semanas:

**⚠ ADVERTENCIA:** El mantenimiento y las reparaciones sólo deben realizarlas personal autorizado. Vacíe siempre el depósito de solución y el de recuperación antes de realizar las tareas de mantenimiento. Mantenga todas las sujeciones apretadas.

**⚠ ADVERTENCIA:** Siempre utilice protección ocular y ropa de protección cuando trabaje cerca de baterías. No coloque herramientas ni otros objetos metálicos encima de los bornes de las baterías o de las partes superiores de las mismas.

**⚠ PRECAUCIÓN:** para evitar daños a la máquina y la descarga de las partes superiores de las baterías, no llene las baterías por encima del fondo del tubo en cada elemento. Limpie cualquier resto de ácido de la máquina o de las partes superiores de las baterías. No agregue ácido a la batería después de su instalación.

**NOTA:** apague siempre el interruptor de llave antes de reparar o mantener la máquina.

**⚠ ADVERTENCIA:** utilice protección ocular y ropa de protección cuando trabaje cerca de baterías. ¡PROHIBIDO FUMAR!

1. Para examinar las baterías, voltee el depósito de recuperación hacia arriba hasta que se trabaje en la posición "arriba". Consulte la figura 24.
2. Desconecte las baterías. Use un paño y una solución de amoníaco o bicarbonato de sodio para limpiar la parte superior de las baterías. Limpie los bornes de las baterías. Vuelva a conectar las baterías.
3. Verifique si las mangueras presentan fugas, obstrucciones o cualquier otro tipo de daño.
4. Inspeccione y limpie el filtro de tela metálica en la manguera de solución. Para limpiar la tela metálica, siga este procedimiento:
  - a. Gire el conector hacia la izquierda.
  - b. Extraiga y limpie el filtro de tela metálica.
  - c. Instale el filtro de tela metálica en la manguera. Gire el conector hacia la derecha para conectar la manguera.
5. Utilice una pistola de grasa para lubricar la rueda propulsora y las roldanas pivotantes. Consulte la figura 25.
6. Controle la presión del neumático. La presión del neumático debe ser de aproximadamente 50 psi.



Figura #24

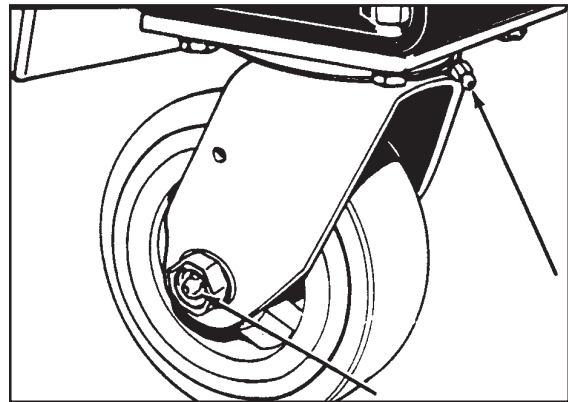


Figura #25

**MANTENIMIENTO**

7. Verifique la escobilla de goma, los cepillos de limpieza o los impulsores de almohadilla para detectar cualquier daño.
8. Examine si la escobilla de goma y la manguera de vacío presentan daños, fugas u obstrucciones.

**Mantenimiento de la escobilla de goma**

Para extraer la escobilla de goma, siga este procedimiento:

1. Extraiga el montaje de la escobilla aflojando las dos perillas que unen la escobilla a la máquina. Tire y extraiga el montaje de la escobilla de goma. Consulte la figura 26.
2. Examine la hoja de la escobilla de goma.
3. Si la hoja está gastada, gírela, para colocar un nuevo borde en la posición de limpieza.
4. Vuelva a colocar el montaje de la escobilla de goma en la máquina.

**Ajuste de la escobilla de goma**

Los siguientes parámetros de ajuste son configurados en fábrica; sin embargo, puede que requieran pequeñas modificaciones.

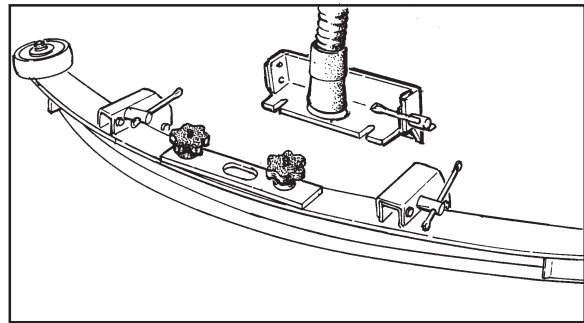
**Ajuste de la presión de la escobilla de goma:**

Para ajustar la presión, consulte la figura 27. Un ajuste correcto producirá un ancho uniforme a lo largo de la hoja posterior cuando se mueva la máquina hacia delante. Para incrementar la presión, ajuste las tuercas ubicadas a cada lado del brazo oscilante. Para reducir la presión, afloje las tuercas a cada lado del brazo oscilante.

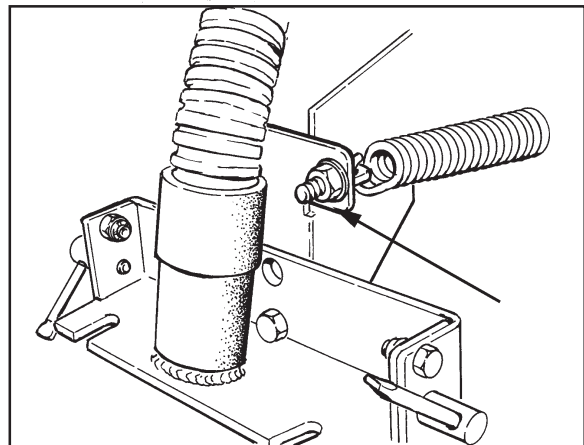
**Ajuste de la inclinación de la escobilla de goma:**

La inclinación de la escobilla de goma hace que la hoja posterior se levante en el centro o en los extremos, dependiendo de en qué dirección se cambie la inclinación. Para ajustar la inclinación, consulte la figura 28. Afloje el tornillo "X" derecho e izquierdo. Para bajar la hoja posterior en el centro, voltee "Y" hacia abajo. Para bajar ambos extremos, voltee "Y" hacia arriba. Realice ajustes muy pequeños y siga probando hasta lograr un ancho uniforme.

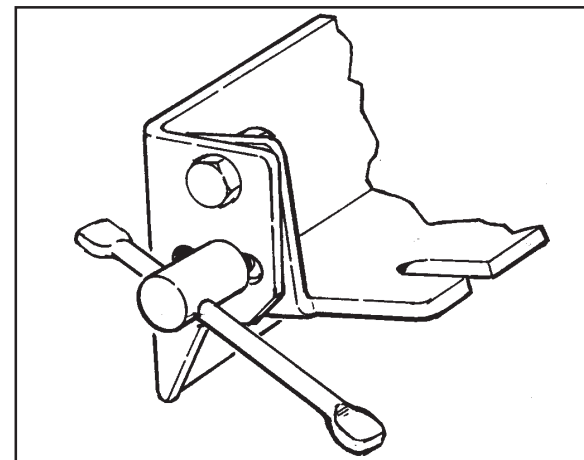
Si se cambia la inclinación, puede que sea también necesario realizar ajustes en la presión de la escobilla de goma.



**Figura #26**



**Figura #27**



**Figura #28**



**MANTENIMIENTO**

**Ajuste de las hojas de la escobilla de goma:**

Cuando está instalada de forma correcta, la hoja delantera debe ubicarse a aproximadamente 0,12 por encima de la hoja posterior. Consulte la figura 29.

**⚠ ADVERTENCIA:** El mantenimiento y las reparaciones sólo deben realizarlas personal autorizado.

**⚠ ADVERTENCIA:** Las reparaciones eléctricas deben ser llevadas a cabo únicamente por personal autorizado.

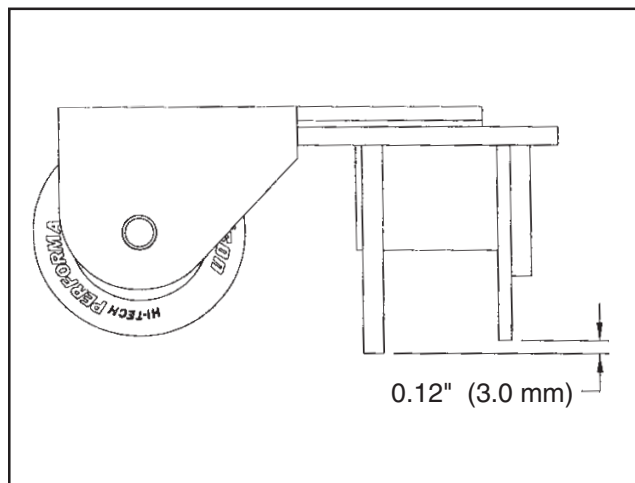


Figura #29

Consulte con el personal técnico autorizado de Clarke para realizar los procedimientos de servicio.

Utilice únicamente repuestos originales de Clarke.

**Limpeza del tubo de solución**

Si el tubo de solución se obstruye, extraiga el montaje de filtro de la parte posterior del alojamiento del cepillo (figura 30). Apague válvula de solución. Quite el filtro de tela metálica (figura 31, B) y limpie o reemplace el tubo de solución. Prenda la válvula de la solución (figura 31, A). Vuelva a empujar el montaje de filtro hacia dentro del bastidor.

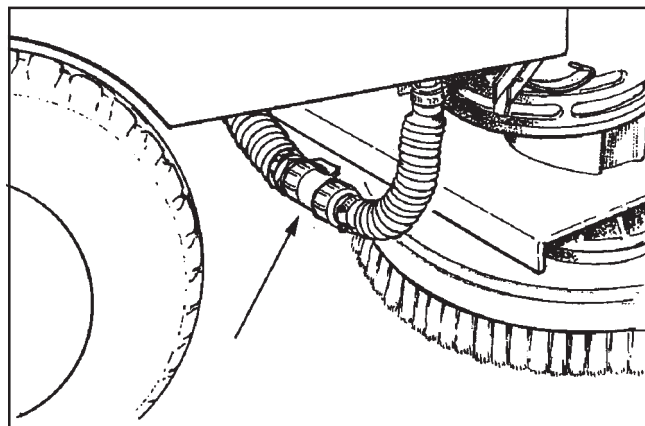


Figura #30

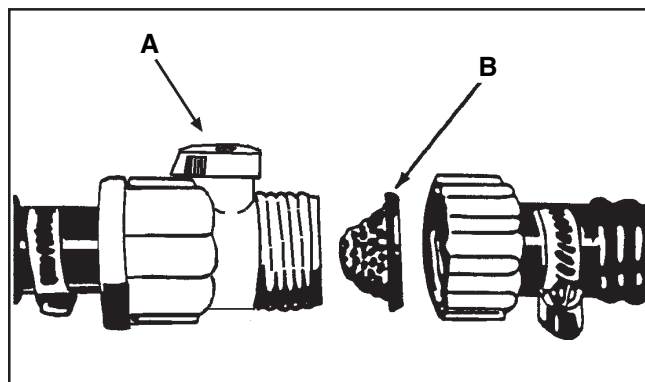


Figura #31

**CORRECCIÓN DE PROBLEMAS DE LA MÁQUINA**

PROBLEMA	CAUSA	MEDIDA
<p><b>CORRECTIVA</b> La máquina no quita toda el agua del piso.</p>	<p>La escobilla de goma está levantada.</p> <p>El depósito de la aspiradora está lleno.</p> <p>El filtro de tela metálica está sucio.</p> <p>La escobilla de goma, la manguera de la escobilla de goma o la columna reguladora están dañadas u obstruidas.</p> <p>El motor de vacío no funciona.</p> <p>La manguera de la escobilla de goma está desconectada.</p> <p>La hoja de la escobilla de goma está dañada, gastada o ha sido instalada de forma incorrecta.</p> <p>La presión de la escobilla de goma no está ajustada de forma correcta.</p> <p>Las juntas en la cubierta del depósito de recuperación están dañadas.</p>	<p>Baje la escobilla de goma.</p> <p>Drene el depósito.</p> <p>Limpie el filtro de tela metálica.</p> <p>Elimine la obstrucción o repare el daño.</p> <p>Busque el disyuntor disparado. Haga que una persona del servicio técnico autorizado realice las reparaciones.</p> <p>Conecte la manguera.</p> <p>Reemplace o gire la hoja de la escobilla de goma. Instale la hoja de la escobilla de goma de forma correcta.</p> <p>Ajuste la presión de la escobilla de goma.</p> <p>Reemplace las juntas.</p>
<p>Las baterías no proporcionan el tiempo de funcionamiento normal.</p>	<p>Los bornes de la batería están sucios o dañados.</p> <p>El nivel de electrolito es demasiado bajo.</p> <p>Las baterías no están completamente cargadas.</p> <p>El cargador está dañado.</p> <p>La batería está averiada.</p> <p>Las baterías están desconectadas.</p>	<p>Limpie los bornes y conectores. Reemplace los cables dañados. Cargue las baterías.</p> <p>Agregue agua destilada a cada elemento y cargue las baterías.</p> <p>Cargue las baterías durante una carga completa de 16 horas.</p> <p>Haga que una persona del servicio técnico autorizado repare el cargador.</p> <p>Compruebe la tensión de cada elemento mientras se descarga.</p> <p>Conecte las baterías.</p>
<p>La limpieza es irregular.</p>	<p>Los cepillos de limpieza o las almohadillas están gastados.</p> <p>Se han dañado el montaje del cepillo, las roldanas pivotantes o la válvula de solución.</p> <p>No funcionan los motores del cepillo</p> <p>El nivel de la solución es bajo.</p>	<p>Reemplace los cepillos de limpieza o las almohadillas.</p> <p>Haga que una persona del servicio técnico autorizado realice las reparaciones necesarias.</p> <p>Busque el disyuntor disparado, reponga. Compruebe si alguna conexión está suelta.</p> <p>Llene el depósito de solución. NOTA: si los motores siguen deteniéndose, consulte a una persona del servicio técnico autorizado.</p>
<p>La máquina no funciona.</p>	<p>La máquina pierde potencia.</p>	<p>Reponga el disyuntor.</p> <p>Verifique la conexión de los cables al motor de desplazamiento.</p> <p>Reemplace los fusibles.</p> <p>Compruebe las conexiones de las baterías.</p> <p>Verifique la posición de la palanca de transferencia de mando del freno de estacionamiento (si está instalada) NOTA: si el motor sigue deteniéndose, consulte a una persona del servicio técnico autorizado.</p>

**FOCUS L28/L33/L38 WB**  
**Códigos de error comunes**

<b>CÓDIGO DE ERROR</b>	<b>CAUSA</b>	<b>MEDIDA CORRECTIVA</b>
3100 3101 3102 3103 3104 3105	Probable cortocircuito en el dispositivo de salida.	Verifique las conexiones de la tracción, los cepillos y el motor de vacío en el trío y verifique los cables que van de estos conectores a la tracción, los cepillos y los motores de vacío.
7600	Circuito abierto en los motores del cepillo o en los cables del motor del cepillo.	Verifique la conexión del motor del cepillo en el trío, y verifique los cables que van de este conector al motor del cepillo.
7603	Posible cortocircuito en los motores o cables del cepillo.	
7800	Circuito abierto en el motor de tracción.	Verifique la conexión del motor de tracción en el trío, y el cableado que va al motor.
7802	La corriente del motor de tracción ha excedido el límite de corriente para el tiempo de reinyección.	Impulsión excesiva al subir una inclinación, o máquina impulsada contra un obstáculo o escalón.
9000	Los cepillos no están colocados.	Cepillos
2F01	El sistema de impulsión se ha activado antes de girar el interruptor de llave a la posición "ON" (encendido).	Libere el interruptor de desplazamiento y vuelva a activar.

**AVISO: SI SE GENERA UN CÓDIGO DE ERROR O UN FALLO, APAGUE Y VUELVA A ENCENDER EL INTERRUPTOR DE LLAVE**

Para obtener otras explicaciones y más información sobre otros códigos de error, contacte al Centro de Mantenimiento Clark.

**ACCESORIOS**

<u>Descripción</u>	<u>Pieza N°</u>
Kit sistema lector de alimentación	10892A
ESP Kit sistema de reciclado	10894A
Montaje de roldana pivotante blanda	52127A
Kit de mantenimiento Clarke	14607A
Montaje de la escobilla de goma, opcional 29" (únicamente en el modelo 28)	18818A
Rueda propulsora, con relleno de espuma	59955A
Kit <i>Imperial</i> de freno eléctrico de estacionamiento	10684A
Sistema de mantenimiento de batería Clarke (CBMS)	53390A

**Hojas opcionales de la escobilla de goma**

<b>Máquina</b>	<b>Hoja</b>	<b>Tipo</b>	<b>Material</b>	<b>Longitud</b>	<b>Pieza N°.</b>
28	Interna	Opcional	Uretano, acanalada (60)	25,88"	30951A
28	Interna	Opcional	Uretano, dentada, 1/16" (80)	25,88"	30955A
28	Interna	Opcional	Uretano, acanalada (60)	35,88"	30952A
28	Interna	Opcional-Inyección	Uretano, dentada, 1/16" (80)	35,88"	30957A
28	Interna	Opcional	Goma de caucho, dentada (35)	35,88"	30716A
28	Interna	Opcional	Neoprene, dentada (80)	25,88"	30930A
28,33	Interna	Opcional	Goma de caucho, dentada (35)	40,25"	30717A
33	Interna	Opcional	Uretano, acanalada (60)	40,25"	30953A
33	Interna	Opcional-Inyección	Uretano, dentada, 1/16" (80)	41,00"	30958A
38	Interna	Opcional	Uretano, acanalada (60)	46,00"	30954A
38	Interna	Opcional-Inyección	Uretano, dentada, 1/16" (80)	46,00"	30959A
38	Interna	Opcional	Neoprene, dentada (80)	46,00"	30934A
28	Externa	Opcional	Nitrilo, sólida (40)	28,12"	30938A
28	Externa	Opcional	Nitrilo, sólida (40)	38,50"	30936A
28	Externa	Opcional	Goma de caucho, sólida (35)	38,50"	30912A
28	Externa	Opcional	Goma de caucho, sólida (35)	28,12"	30931A
28,33	Externa	Opcional	Goma de caucho, sólida (35)	43,50"	30557A
33	Externa	Opcional	Goma de caucho, sólida (35)	42,12"	30913A
33	Externa	Opcional	Nitrilo, sólida (40)	42,12"	30937A
38	Externa	Opcional	Nitrilo, sólida (40)	48,00"	30939A
38	Externa	Opcional	Goma de caucho, sólida (35)	48,00"	30935A

<b>Cepillos:</b>	<b>Tamaño</b>	<b>Descripción</b>	<b>Pieza N°</b>
	17"	Poly	11424B
	17"	Grit-Heavy	11425B
	17"	Grit-Medium	11430B
	17"	Grit-Lite	10384A
	17"	Soft Nylon	10875A
	14"	Poly	11427B
	14"	Grit-Heavy	11426B
	14"	Grit-Medium	11431B
	14"	Grit-Lite	10383A
	14"	Soft Nylon	10874A
	19"	Poly	11434B
	19"	Grit-Heavy	11433B
	19"	Grit-Medium	11432B
	19"	Grit-Lite	10385A
	19"	Soft Nylon	11435B

**Impulsores de almohadillas:**

<b>Tamaño</b>	<b>Pieza N°.</b>
19"	17524B
17"	17520C
14"	17521C

Blank lined area for writing.

**LISEZ CE MANUEL**

Ce Manuel contient des informations importantes concernant l'utilisation et le fonctionnement de cette machine dans des conditions de sécurité optimales. La non-lecture de ce manuel avant d'utiliser ou d'entretenir votre machine Clarke risque de provoquer un accident ou d'endommager la machine ou son environnement. Vous devez avoir été formé à l'utilisation de cette machine avant de l'utiliser. Si l'opérateur n'est pas en mesure de lire ce Manuel, il devra se le faire expliquer entièrement avant de tenter d'utiliser cette machine.

Toutes les directions données dans ce Manuel le sont par rapport à la position de l'opérateur, à l'arrière de la machine.

Pour commander un nouveau Manuel, écrivez à : Clarke®, 2100 Highway 265, Springdale, Arkansas 72764.




**Table des matières**










Consignes de sécurité destinées à l'opérateur .....	6
Introduction .....	11
Caractéristiques de la machine .....	14
Procédures de transport .....	17
Symboles utilisés sur S28, S33, S38 .....	22
Symboles utilisés sur L28, L33, L38 .....	23
Panneau de commandes des machines S28, S33, S38 .....	28
Panneau de commandes des machines L28, L33, L38 .....	34
Ecran d'affichage des modèles L28, L33, L38 .....	38
Commandes et fonctions de la machine .....	41
Préparation de la machine avant son utilisation .....	43
Utilisation de la machine .....	51
Maintenance .....	57
Résolution des problèmes .....	68
Codes d'erreur courants (Focus L28/L33/L38) .....	71
Accessoires .....	74

**Section II Pièces et Manuel d'entretien**

Montage du réservoir de solution .....	76
Nomenclature des pièces .....	77
Montage du réservoir de récupération .....	78
Nomenclature des pièces .....	79
Montage du panneau électrique S28, S33, S38 .....	80
Nomenclature des pièces .....	81
Montage du panneau électrique L28, L33, L38 .....	82
Nomenclature des pièces .....	83
Montage du panneau de commandes .....	84
Nomenclature des pièces .....	85
Montage du bras pivotant de la raclette .....	86
Nomenclature des pièces .....	87
Montage du bras pivotant de la raclette .....	88
Nomenclature des pièces .....	89
Montage du système de déplacement .....	90
Nomenclature des pièces .....	91
Montage de la brosse .....	92
Nomenclature des pièces .....	93
Moteur des brosses .....	94
Boîte de vitesse .....	95
Moteur d'aspiration .....	96
Éléments de la boîte-pont Imperial .....	97
Schéma de connexion du panneau de commandes (modèles S28/S33/S38) .....	98
Schéma de connexion de l'avant de la machine (modèles S28/S33/S38) .....	98
Schéma de connexion du panneau de commandes (modèles L28/L33/L38) .....	99
Schéma de connexion de l'avant de la machine (modèles L28/L33/L38) .....	99
Schéma de connexion de la plaque électrique (modèles S28/S33/S38) .....	100
Schéma de connexion de la plaque électrique (modèles L28/L33/L38) .....	101
Schéma de connexion du boîtier de commandes .....	102
Schéma du circuit électrique (modèles S28/S33/S38) .....	103
Schéma du circuit électrique (haut) des modèles L28/L33/L38 .....	104
Schéma du circuit électrique (bas) des modèles L28/L33/L38 .....	105

## CONSIGNES DE SECURITE DESTINEES A L'OPERATEUR

-  **DANGER :** La non-lecture et le non-respect des avis de **DANGER** peut entraîner de graves blessures corporelles, voire la mort. Lisez et respectez tous les avis de **DANGER** se trouvant dans le Manuel de l'utilisateur et sur la machine.
-  **AVERTISSEMENT :** En ne lisant pas et en ne respectant pas les **AVERTISSEMENTS**, vous risquez, et d'autres personnes avec vous, d'être victime d'un accident ; des dégâts matériels sont également possibles. Lisez et respectez tous les **AVERTISSEMENTS** se trouvant dans le Manuel de l'utilisateur et sur la machine.
-  **MISE EN GARDE :** La non-lecture et le non-respect des **MISES EN GARDE** risquent d'endommager la machine ou de provoquer d'autres dégâts matériels. Lisez et respectez toutes les **MISES EN GARDE** se trouvant dans le Manuel de l'utilisateur et sur la machine.

-  **DANGER :** La non-lecture du Manuel de l'utilisateur avant d'utiliser ou de tenter d'entretenir votre machine Clarke est susceptible de provoquer un accident ; un endommagement de la machine ou de son environnement est également possible. Vous devez avoir été formé à l'utilisation de cette machine avant de l'utiliser. Si l'opérateur n'est pas en mesure de lire ce Manuel, il devra se le faire expliquer entièrement avant de tenter d'utiliser cette machine.
-  **DANGER :** L'utilisation d'une machine qui n'est pas entièrement assemblée est susceptible de provoquer un accident ou d'entraîner des dommages. N'utilisez pas cette machine avant qu'elle ne soit complètement assemblée. Inspectez soigneusement la machine avant utilisation.
-  **DANGER :** Les machines peuvent provoquer une explosion lorsqu'elles sont utilisées à proximité de matériaux inflammables et de vapeurs. N'utilisez pas cette machine en présence ou à proximité de combustibles, de poussière agro-alimentaire, de solvants, de diluants ou de toute autre substance inflammable. Cette machine n'a pas été conçue pour recueillir les poussières dangereuses.
-  **DANGER :** Les batteries au plomb génèrent des gaz susceptibles de provoquer une explosion. Tenez les batteries éloignées de toute étincelle et de toute flamme. Ne pas fumer à proximité de la machine. Ne recharger les batteries que dans endroit bien ventilé. Assurez-vous d'avoir débranché le chargeur CA de la prise murale avant de faire fonctionner la machine.
-  **DANGER :** Travailler avec des batteries peut être dangereux ! Portez toujours des lunettes et des vêtements de protection lorsque vous travaillez à proximité des batteries. Enlevez tous vos bijoux. Ne placez aucun outil, ni aucun autre objet métallique sur les bornes de la batterie ou sur le dessus des batteries.
-  **DANGER :** L'utilisation d'un chargeur équipé d'un cordon d'alimentation endommagé peut entraîner un risque d'électrocution. Ne pas utiliser le chargeur si le cordon d'alimentation est endommagé.
-  **AVERTISSEMENT :** L'utilisation de cette machine de tout autre endroit que depuis l'arrière de la machine peut entraîner des blessures ou des dommages. N'utilisez cette machine que depuis l'arrière.
-  **AVERTISSEMENT :** Cette machine est lourde. Faites-vous aider lorsque vous tenter de la transporter ou de la déplacer. Faites-vous aider de deux personnes pour déplacer la machine sur un plan incliné. Déplacez toujours la machine lentement. Ne faites pas tourner la machine sur un plan incliné. Si vous utilisez la machine sur une pente supérieure à 2 %, ne l'arrêtez pas, ne la faites pas tourner et ne la laissez pas stationner. Lisez la section « Procédure relative au transport » de ce manuel avant de transporter la machine.
-  **AVERTISSEMENT :** La machine pourrait se renverser et causer un accident ou provoquer des dégâts si elle utilisée le long d'un escalier ou d'un quai de chargement. N'arrêtez et ne stationner cette machine que sur une surface plane. Lorsque vous arrêtez la machine, mettez le commutateur à clé en position « OFF ». Enclenchez le frein de stationnement.



**AVERTISSEMENT** : Les opérations de maintenance et les réparations effectuées par des techniciens non agréés risquent d'entraîner des dommages ou des blessures corporelles. L'entretien et les réparations ne doivent être effectués que par un technicien Clarke agréé.



**AVERTISSEMENT** : Toute transformation ou modification apportée à cette machine risque d'endommager la machine ou de blesser l'opérateur et les personnes alentour. Les transformations ou les modifications non autorisées par le fabricant annulent toutes les garanties qui couvrent cette machine.



**AVERTISSEMENT** : Les composants électriques de cette machine peuvent provoquer un « court-circuit » s'ils sont exposés à l'eau et à l'humidité. Veillez à ce que les composants électriques de la machine soient toujours secs. Essuyez la machine après chaque utilisation. Stockez la machine dans un bâtiment, à l'abri de l'humidité.



**AVERTISSEMENT** : L'utilisation d'une machine sans respecter les autocollants de sécurité et les instructions risque de provoquer un accident ou des dégâts matériels. Lisez tous les autocollants de sécurité présents sur la machine avant de l'utiliser. Assurez-vous que tous les autocollants de sécurité et toutes les instructions sont présentes et visibles sur la machine. Vous pouvez obtenir des autocollants et des plaques de rechange auprès de votre revendeur Clarke.



**AVERTISSEMENT** : Les sols mouillés peuvent être glissants. Les solutions aqueuses ou les produits de nettoyage utilisés avec ce type de machine peuvent laisser des zones humides au sol. Ces zones peuvent s'avérer dangereuses pour l'opérateur et pour les autres personnes. Veillez à toujours placer une pancarte ATTENTION à proximité de la zone que vous nettoyez.



**AVERTISSEMENT** : L'élimination « sauvage » des eaux sales risque d'endommager l'environnement et constitue un délit. L'Agence américaine de protection de l'environnement (US Environmental Protection Agency) a établi un certain nombre de règles concernant l'élimination des eaux usées. De même, une réglementation municipale et nationale relative à l'élimination des eaux sales peut être en vigueur dans votre région. Comprenez et respectez la réglementation en vigueur dans votre région. Soyez conscients des dangers que constituent pour l'environnement les produits chimiques que vous éliminez.



**MISE EN GARDE** : L'utilisation de cette machine pour déplacer ou monter sur des objets peut provoquer un accident ou entraîner des dégâts matériels. Ne pas utiliser cette machine comme marchepied ou comme meuble. Do not ride on this machine.



**MISE EN GARDE** : La garantie de votre machine sera annulée si vous utilisez d'autres pièces que les pièces d'origine Clarke sur votre machine. N'utilisez que des pièces de rechange Clarke.



## Introduction

Les toutes nouvelles laveuses automatiques Focus 38, 33 et 28 de Clarke sont des machines à laver les sols efficaces et très performantes. La Focus 38 utilise deux brosses ou tampons et offre une largeur de nettoyage de 96,5 cm. La Focus 33 utilise deux brosses ou tampons et offre une largeur de nettoyage de 83,82 cm. La Focus 28 utilise deux brosses ou tampons et offre une largeur de nettoyage de 71,12 cm. Une raclette essuie le sol tandis que le moteur d'aspiration enlève la solution sale du sol, le tout simultanément.

Les laveuses automatiques Focus 38, 33 et 28 sont livrées complètes avec six batteries de 6 volts, cinq câbles de connexion pour batteries, deux câbles de batterie, un chargeur de batterie, deux brosses ou deux entraîneurs de disque et un manuel d'utilisation.

## Caractéristiques de la machine


Modèle	S38	S33	S28
Moteur d'aspiration	1 ch (0,74kw) 3-temps tangentiel discharge	1 ch (0,74kw) 3-temps tangentiel discharge	1 ch (0,74kw) 3-temps tangentiel discharge
Alim. électrique	36 volts (batteries de 6 V) 250 Ah, 330 Ah	36 volts (6 batteries de 6 V) 250 Ah, 330 Ah	36 volts (6 batteries de 6 V) 250 Ah, 330 Ah
Réservoir d solution de récupération	114 litres	114 litres	114 litres Réservoir
Moteurs, Brosse (2)	1 ch PM (0,74 kW)	1 ch PM (0,74 kW)	1 ch PM (0,74 kW)
Moteur de déplacement	0,50 ch PM (0,37 kW)	0,50 ch PM (0,37 kW)	0,50 ch PM (0,37 kW)
Brosses (2)	48 cm 1,5 cm chevauch.	43 cm 1,5 cm chevauch.	36 cm 1,5 cm chevauch.
Vitesse de la brosse	200 rpm	200 rpm	200 rpm
Pression de la brosse	Variable 68 kg – 100 kg.	Variable 68 kg – 100 kg.	Variable 68 kg – 100 kg.
Vitesse en marche avant	Variable jusqu'à 70 m/mn.	Variable jusqu'à 70 m/mn.	Variable jusqu'à 70 m/mn.
Vitesse en marche arrière	Variable jusqu'à 55 m/mn.	Variable jusqu'à 55 m/mn.	Variable jusqu'à 55 m/mn.
Chargeur	36 V, 21 A, 115 V/60 Hz	36 V, 21 A, 115 V/60 Hz	36 V, 21 A, 115 V/60 Hz
Longueur	173 cm	170 cm	165 cm
Largeur - Machine	102 cm	91 cm	76 cm
Hauteur	112cm	112 cm	112 cm
Vitesse de nettoyage	42,000 sq ft/h (3,901 sq. m/h)	35,000 sq ft/h (3,252 sq. m/h)	29,700 sq ft./h (2,750 sq ft./h)
Largeur de nettoyage	97 cm	84 cm	71 cm
Grade Cleaning	Angle de 6°	Angle de 6°	Angle de 6°
Poids Avec batteries (330 Ah)	465 kg	460 kg	456 kg
Poids à l'expédition avec batteries (330 Ah)	602 kg	598 kg	593 kg
Niveau sonore	76.5 dBA	76.5 dBA	76.5 dBA
Vibration	<2.5 m/s <sup>2</sup>	<2.5 m/s <sup>2</sup>	<2.5 m/s <sup>2</sup>

**Caractéristiques de la machine**

Modèle	L38	L33	L28
Moteur d'aspiration	1 ch (0,74kW) 3-temps tangentiel discharge	1 ch (0,74kW) 3-temps tangentiel discharge	1 ch (0,74kW) 3-temps tangentiel discharge Alimentation électrique
tion électrique	36 volts (6 batteries de 6 V) 250 Ah, 330 Ah	36 volts (6 batteries de 6 V) 250 Ah, 330 Ah	36 volts (6 batteries de 6 V) 250 Ah, 330 Ah
Réservoir de solution de récupération	114 litres	114 litres	114 litres Réservoir
Moteurs, Brosse (2)	1 ch PM (0,74 kW)	1 ch PM (0,74 kW)	1 ch PM (0,74 kW)
Moteur de déplacement	0,50 ch PM (0,37 kW)	0,50 ch PM (0,37 kW)	0,50 ch PM (0,37 kW)
Brosses (2)	48 cm chevauch. de 1,5 cm	43 cm chevauch. de 1,5 cm	36 cm chevauch. de 1,5 cm
Vitesse des brosses	200 rpm	200 rpm	200 rpm
Pression des brosses	Variable 63,5 kg – 100 kg.	Variable 63,5 kg – 100 kg.	Variable 63,5 kg – 100 kg
Vitesse en marche avant	Variable jusqu'à 70 m/mn.	Variable jusqu'à 70 m/mn.	Variable jusqu'à 70 m/mn.
Vitesse en marche arrière	Variable jusqu'à 55 m/mn.	Variable jusqu'à 55 m/mn.	Variable jusqu'à 55 m/mn.
Chargeur	36 V, 21 A, 115 V/60 Hz	36 V, 21 A, 115 V/60 Hz	36 V, 21 A, 115 V/60 Hz
Longueur	173 cm	170 cm	165 cm
Largeur - Machine	102 cm	91 cm	76 cm
Hauteur	112cm	112 cm	112 cm
Vitesse de nettoyage	42,000 sq ft/h (3,901 sq. m/h)	35,000 sq ft/h (3,252 sq. m/h)	29,700 sq ft./h (2,750 sq ft./h)
Largeur de nettoyage	97 cm	84 cm	71 cm
Grade Cleaning	Angle de 6°	Angle de 6°	Angle de 6°
Poids avec batteries (330 Ah)	465 kg	460 kg	456 kg
Poids à l'expédition avec batteries (330 Ah)	602 kg	598 kg	593 kg
Niveau sonore	76.5 dBA	76.5 dBA	76.5 dBA
Vibration	<2.5 m/s <sup>2</sup>	<2.5 m/s <sup>2</sup>	<2.5 m/s <sup>2</sup>

## PROCEDURES DE TRANSPORT

### Mettre la machine dans une camionnette ou sur un camion

 **AVERTISSEMENT : La machine est lourde. Faites-vous aider de deux personnes valides pour aider la machine à monter sur le plan incliné.**

1. Assurez-vous que le plan incliné fait au moins 2,50 m de long, et qu'il est suffisamment solide pour supporter le poids de la machine.
2. Assurez-vous que le plan incliné est propre et sec.
3. Mettez le plan incliné en position.
4. Déposez la raclette, les protections des brosses, les brosses ou les entraîneurs de disque avant le chargement de la machine.
5. Mettez le commutateur à clé en position « ON ».
6. Alignez la machine sur une surface plane à trois (3) mètres devant le plan incliné.
7. Mettez le commutateur de vitesse de déplacement en position « HI ».
8. Pressez un des deux (ou les deux) commutateurs de déplacement.
9. Poussez la machine vers le sommet du plan incliné.
10. Mettez le commutateur à clé en position « OFF ».
11. Fixez la machine sur le véhicule.

### Retrait de la machine d'une camionnette ou d'un camion

1. Assurez-vous que la zone ne comporte aucun obstacle.
2. Assurez-vous que le plan incliné fait au moins 2,50 m de long, et qu'il est suffisamment solide pour supporter le poids de la machine.
3. Assurez-vous que le plan incliné est propre et sec.
4. Mettez le plan incliné en position.
5. Détachez la machine.

 **AVERTISSEMENT : La machine est lourde. Faites-vous aider de deux personnes valides pour aider la machine à descendre le plan incliné.**

6. Mettez le commutateur à clé en position « ON ».
7. Amenez lentement et avec précautions la machine en haut du plan incliné en maintenant enfoncé le commutateur de déplacement ou le commutateur de marche arrière.
8. Mettez le commutateur de vitesse de déplacement en position intermédiaire. Pendant que la machine descend le long du plan incliné, maintenez un faible déplacement vers l'avant en appuyant sur l'un des deux commutateurs de déplacement.
9. Remettez en place la raclette, les protections des brosses, les brosses ou les entraîneurs de disque une fois la machine déchargée et prête à être utilisée.

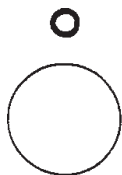
**SYMBOLES UTILISES SUR LES MODELES FOCUS S28, S33 ET S38**



Symbole d'avertissement d'un danger



Augmentation de la pression des brosses



Commutateur à clé Marche/Arrêt



Indicateur de charge des batteries



Abaissement/relèvement des brosses



Niveau de solution



Alimentation

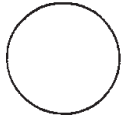


Contrôle de la vitesse de déplacement

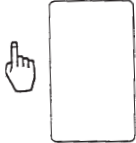
## SYMBOLES UTILISES SUR LES MODELES FOCUS L28, L33 ET L38



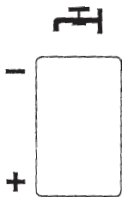
Symbole d'avertissement d'un danger



Commutateur à clé Marche/Arrêt



Relèvement/Abaissement de la raclette



Niveau de solution



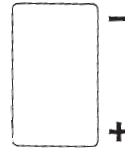
Commutateur du compteur horaire



Alimentation



Contrôle de la vitesse de déplacement



Abaissement/relèvement des brosses



Indicateur de charge



Commutateur One Touch

**PANNEAU DE COMMANDE DES MODELES S28, S33, S38****Commutateur à clé** (Cf. figure 1.A)

Le commutateur à clé permet de mettre le panneau de commandes sous tension. « 0 » correspond à « Arrêt » et « 1 » correspond à « Marche ».

**Commutateur de vitesse de déplacement** (Cf. Figure 1B)

La commande de vitesse va de vitesse lente à vitesse rapide. Pour augmenter la vitesse, tournez la molette vers la droite. Pour réduire la vitesse, tournez la molette vers la gauche.

**Commutateur de position de la tête** (Cf. Figure 1C)

Ce commutateur possède deux positions : "Haut" permet de placer les brosses en position haute ; "Bas" permet de poser les brosses sur le sol. Les moteurs des brosses démarrent lorsque ces dernières sont en position basse et que le commutateur de déplacement est relâché.

**Commutateur d'augmentation de la pression des brosses** (Cf. Figure 1D)

Ce commutateur est utilisé pour augmenter la pression exercée sur les brosses. Une pression plus importante sur les brosses peut être nécessaire lors du nettoyage de sols particulièrement sales. Pour augmenter la pression exercée sur les brosses, mettez les brosses en position basse en mettant le commutateur d'abaissement/relèvement des brosses (Elément "C") vers le bas. Les brosses se trouvent ainsi dans leur position normale de fonctionnement. Pour augmenter la pression exercée sur les brosses, maintenez le commutateur (élément "D") enfoncé jusqu'à ce que la pression désirée soit atteinte ou que la brosse cesse de descendre. Pour revenir à une pression normale, mettez le commutateur d'abaissement/relèvement des brosses (Elément "C") en position haute et lorsque la brosse est complètement relevée, remettez le commutateur en position basse.

**Manette de commande de la solution** (Cf. Figure 1E)

Le commutateur d'écoulement de la solution régule le débit de l'écoulement de la solution nettoyante sur le sol. Pour augmenter le débit, tournez la molette dans le sens des aiguilles d'une montre. Pour diminuer le débit, tournez la molette dans le sens inverse des aiguilles d'une montre.

**Commutateur de marche avant** (Cf. figure 1F)

Le commutateur de marche avant permet de mettre le moteur de déplacement en marche. Si les brosses sont en position basse, il permet également de mettre en marche le moteur des brosses et le module de contrôle de l'écoulement de la solution. Vous pouvez utiliser le commutateur de gauche ou celui de droite.

**Commutateur de marche arrière** (Cf. figure 1G)

Lorsqu'il est utilisé conjointement avec l'un des deux commutateurs de marche avant, ce commutateur permet de faire reculer la machine. La vitesse de déplacement en marche arrière est de 30 % inférieure à la vitesse de déplacement en marche avant.

**Indicateur de charge des batteries** (Cf. Figure 1H)

L'indicateur de charge de la batterie indique que le rechargement de la batterie est en cours lorsque le chargeur est branché à une prise murale CA. Il indique également le niveau de charge restant dans les batteries lorsque la machine fonctionne. Lorsque le niveau de charge de la batterie devient insuffisant, le témoin lumineux rouge commence à clignoter et les moteurs des brosses/disques s'arrêtent.

**Coupe-circuits** (Cf. Figures 1I et 1M)

Les boutons de réinitialisation des coupe-circuits sont situés sur le panneau de commandes. Les coupe-circuits sont situés aux emplacements suivants : Eléments I et J – Moteurs des brosses (35 A) ; Elément K – Moteur de déplacement (30 A) ; Elément L – Moteur d'aspiration (25 A) ; Elément M – Moteur de l'actionneur des brosses (5 A)

Si un disjoncteur se déclenche, déterminez lequel des moteurs ne fonctionne plus et mettez le commutateur à clé en position « OFF ». Attendez cinq minutes et appuyez sur le bouton de réinitialisation. Mettez le commutateur à clé en position « ON », et ré-essayez. Un technicien agréé doit être contacté si le disjoncteur se déclenche de nouveau.

**Compteur horaire** (Cf. Figure 1N)

Le compteur horaire indique le nombre d'heures de fonctionnement de la machine. Il ne fonctionne que lorsque la machine avance ou recule.

## PANNEAU DE COMMANDE DES MODELES S28, S33, S38

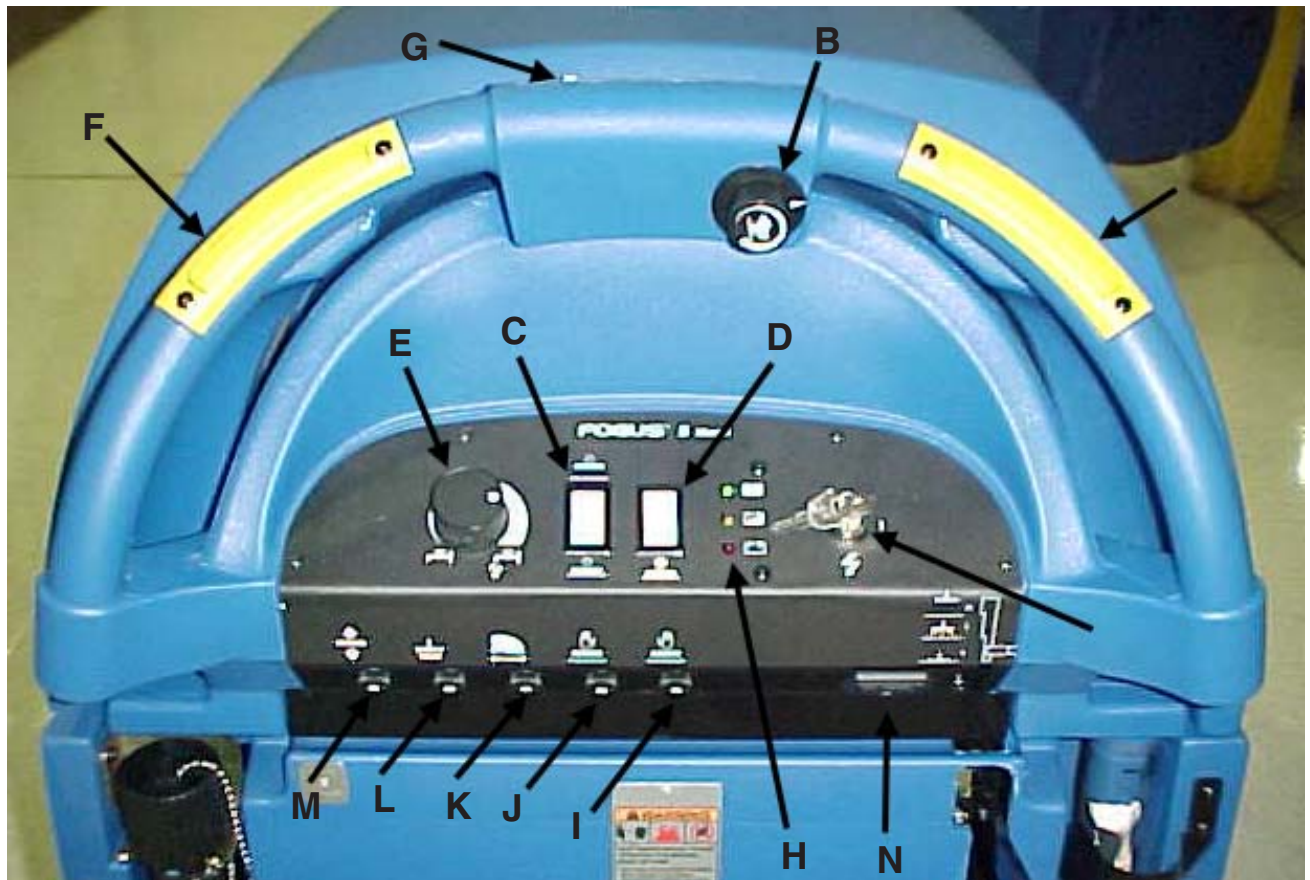


Figure 1

**PANNEAU DE COMMANDES DES MODELES L28, L33 ET L38****Commutateur à clé** (Cf. figure 2.A)

Le commutateur à clé permet de mettre le panneau de commandes sous tension. « O » correspond à « Arrêt » et « I » correspond à « Marche ».

**Commutateur de vitesse de déplacement** (Cf. Figure 2B)

La commande de vitesse va de vitesse lente à vitesse rapide. Pour augmenter la vitesse, tournez la molette vers la droite. Pour réduire la vitesse, tournez la molette vers la gauche.

**Commutateur de position de la raclette** (Cf. Figure 2C)

Le commutateur de la raclette permet de relever ou d'abaisser la raclette et d'allumer et d'éteindre le moteur d'aspiration. La raclette s'abaisse et le moteur d'aspiration s'allume lorsque le commutateur est en position basse. Pour relever la raclette, placez le commutateur en position haute. Le moteur d'aspiration s'arrête, après un court instant, lorsque le commutateur est placé en position haute.

La position intermédiaire est utilisée pour les commandes One Touch. La raclette se relève et s'abaisse et le moteur d'aspiration s'allume et s'éteint automatiquement lorsque la fonction One Touch est utilisée. **REMARQUE : Le commutateur de position de la raclette doit être en position centrale pour que la raclette et le moteur d'aspiration fonctionnent normalement avec la fonction One Touch.**

**Commutateur de position de la brosse** (Cf. Figure 2D)

Pour abaisser la brosse, poussez le commutateur correspondant vers le bas (+). Pour augmenter la pression exercée sur la brosse, continuez à pousser le commutateur vers le bas (+) jusqu'à ce que la pression désirée soit atteinte ou que la brosse cesse de descendre. Les moteurs des brosses se mettent en route et la solution commence à s'écouler (pourvu que la commutateur de solution soit en position « ON ») lorsque la machine commence à avancer. Pour relever la brosse, poussez le commutateur des brosses vers le haut (-) jusqu'à la fin du processus de relèvement ou jusqu'à ce que la position désirée soit atteinte.

**Manette de commande de la solution** (Cf. Figure 2E)

Le commutateur d'écoulement de la solution régule le débit de l'écoulement de la solution chimique sur le sol. Pour augmenter le débit, poussez le commutateur d'écoulement de la solution vers le bas (+) jusqu'à ce que le débit désiré soit atteint. Pour réduire le débit, poussez le commutateur d'écoulement de la solution vers le haut (-) jusqu'à ce que le débit désiré soit atteint. Pour stopper l'écoulement de la solution, poussez le commutateur d'écoulement de la solution vers le haut (-) jusqu'à ce que tous les voyants soient éteints sur le panneau de commandes. **REMARQUE : NE PAS faire fonctionner à sec ! REMARQUE : la solution ne s'écoule pas lorsque la machine est à l'arrêt.**

**Commutateur de marche avant** (Cf. figure 2F)

Le commutateur de marche avant permet de mettre le moteur de déplacement en marche. Si les brosses sont en position basse, il permet également de mettre en marche le moteur des brosses et le module de contrôle de l'écoulement de la solution. Vous pouvez utiliser le commutateur de gauche ou celui de droite.

**Commutateur de marche arrière** (Cf. figure 2G)

Lorsqu'il est utilisé conjointement avec l'un des deux commutateurs de marche avant, ce commutateur permet de faire reculer la machine. La vitesse de déplacement en marche arrière est de 30 % inférieure à la vitesse de déplacement en marche avant.

**Indicateur de charge des batteries** (Cf. Figure 2H)

Lorsque le chargeur est branché dans une prise murale CA, l'indicateur de charge vert se met à clignoter. Lorsque les batteries sont entièrement chargées, le témoin lumineux vert reste allumé jusqu'à ce que le chargeur soit débranché.

**Bouton One Touch** (Cf. Figure 2I)

Le bouton One Touch est un bouton vert qui permet d'abaisser et de relever la brosse et la raclette à l'aide d'une seule pression. **REMARQUE :** Pour de plus amples informations sur la fonction One Touch, lisez la section intitulée « Utilisation de la machine ».

**Ecran LCD** (Cf. Figure 2J)

L'écran principal indique le niveau de charge des batteries, la position des brosses, le statut de l'écoulement de la solution et la position de la raclette. Il indique également le nombre d'heures de fonctionnement de la machine et les codes d'erreur. **REMARQUE :** Lorsque le niveau de charge de la batterie devient insuffisant, le témoin de la batterie commence à clignoter et les moteurs des brosses/disques s'arrêtent.

**Bouton Affichage** (Cf. Figure 2K)

Une pression sur le bouton noir Affichage permet de basculer entre les fonctions principales de la machine et le compteur horaire. Le compteur horaire indique le nombre d'heures de fonctionnement de la machine. Il affiche le temps de fonctionnement du moteur des brosses, du moteur d'aspiration, du moteur de déplacement ainsi que le temps total de fonctionnement.



**PANNEAU DE COMMANDES DES MODELES L28, L33 ET L38****Coupe-circuits** (Cf. Figures 2L, 2M et 2N)

Les boutons de réinitialisation des coupe-circuits sont situés sur le panneau de commandes. Les coupe-circuits sont situés aux emplacements suivants : Eléments "L" et "M" – Moteur de la brosse (35 A) ; Elément N – Commutateur à clé (5 A).

Si un disjoncteur se déclenche, déterminez lequel des moteurs ne fonctionne plus et mettez le commutateur à clé en position « OFF ». Attendez cinq minutes et appuyez sur le bouton de réinitialisation. Mettez le commutateur à clé en position « ON », et ré-essayez. Un technicien agréé doit être contacté si le disjoncteur se déclenche de nouveau.

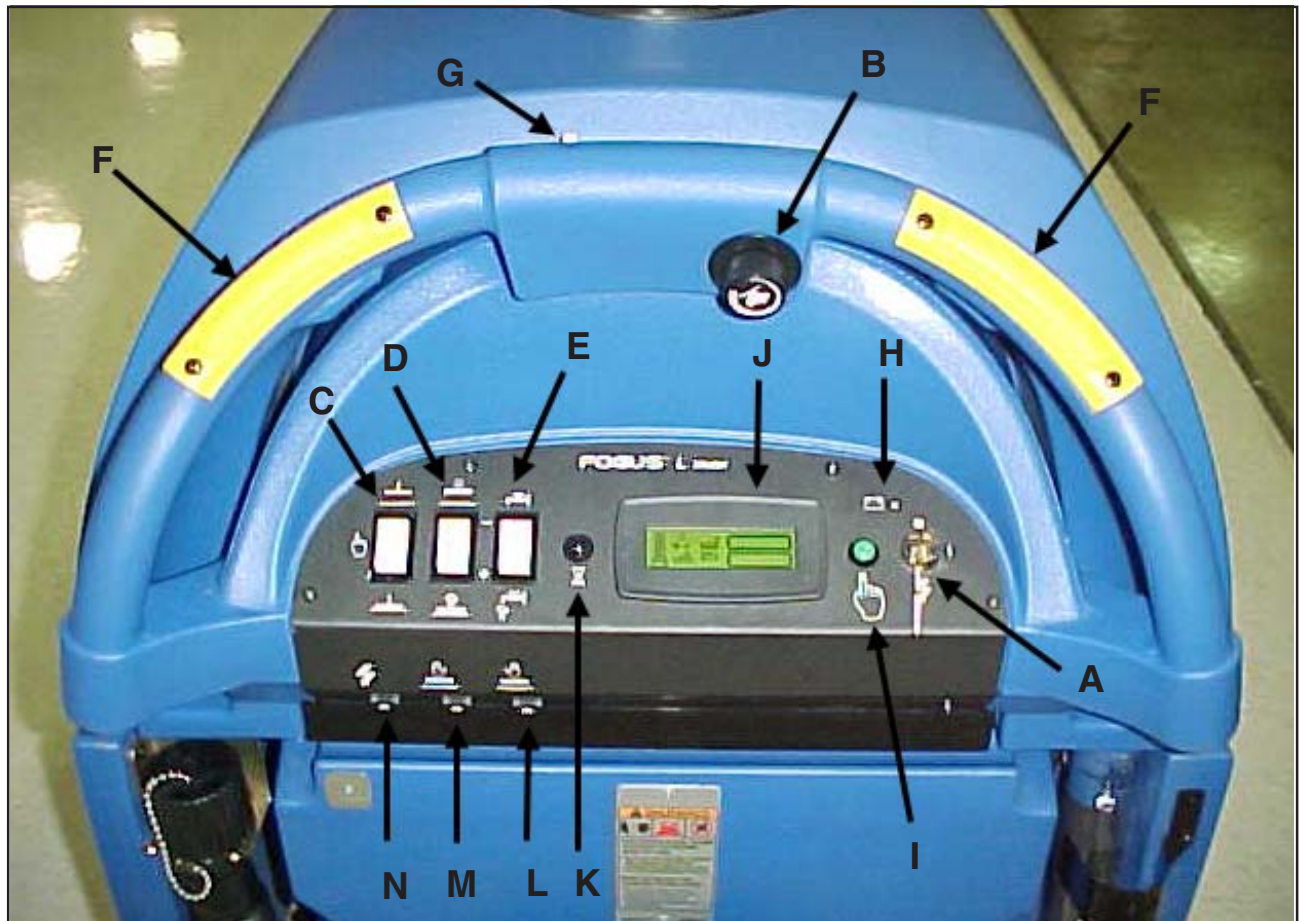
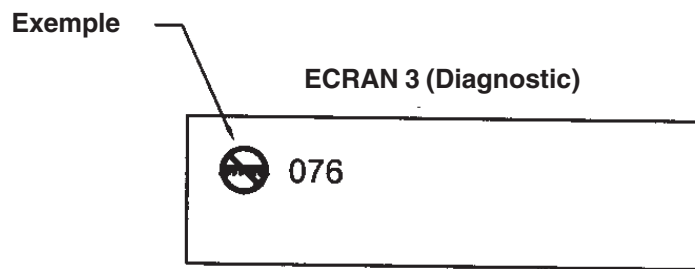
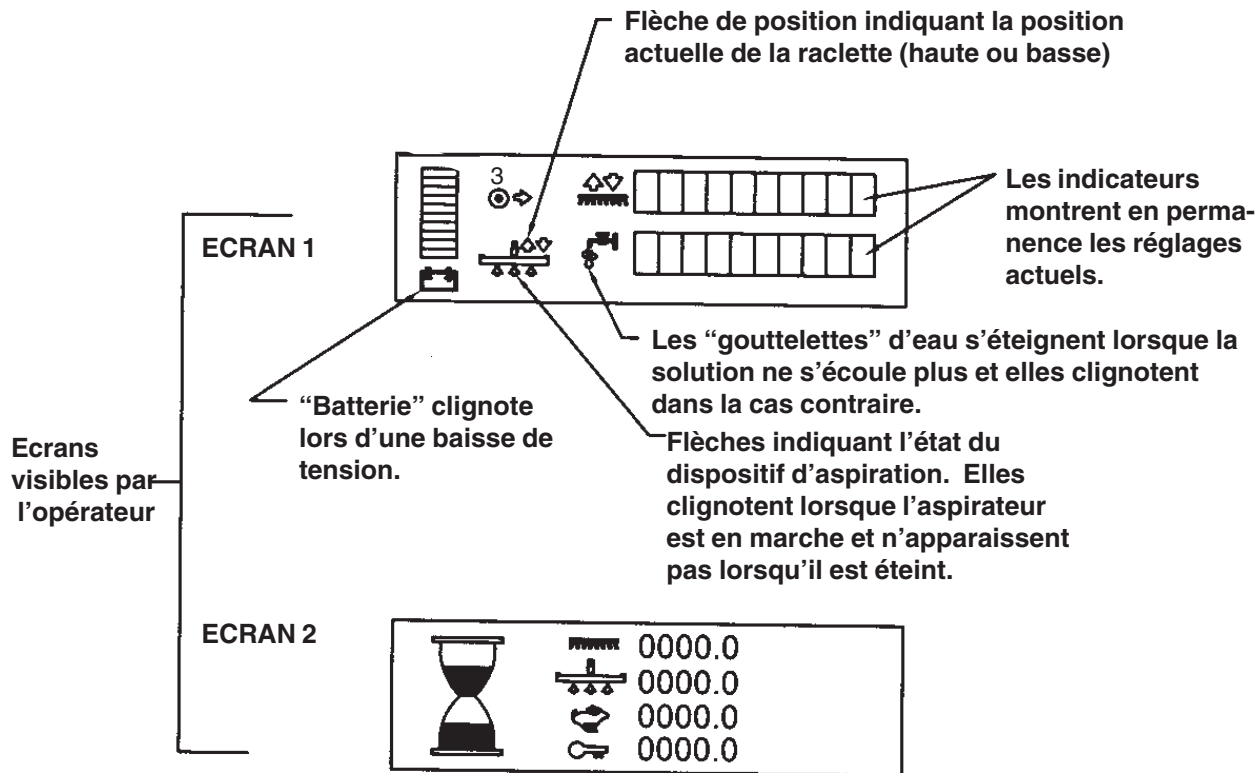


Figure 2

Ecran d'affichage des modèles FOCUS L28, L33, L38



Destiné au diagnostic uniquement. Reste éteint tant que la machine ne présente pas de panne. Lorsque la panne survient, l'icône et le code d'erreur apparaissent.

Consultez la rubrique "Codes d'erreur courants" située à la fin de la "Section Maintenance".

## COMMANDES ET FONCTIONNALITES DE LA MACHINE

**Manette de relèvement de la raclette** (Modèles "Classe S" uniquement). Cf. figures 3a, 3b et 3c. La manette de relèvement de la raclette est située sous le panneau de commandes à droite. Elle permet de relever ou d'abaisser la raclette. Le moteur d'aspiration s'allume lorsque la raclette est abaissée.

**Frein de stationnement** (en option) Cf. figure 4. Le frein de stationnement empêche tout mouvement de la machine. Le frein est situé du côté gauche du moteur de la boîte-pont. Mettez le commutateur à clé en position "off" ou débranchez l'alimentation des batteries pour actionner le frein.

Un levier mécanique est situé sur le frein. Ce levier est une commande d'urgence. Pour relâcher manuellement le frein, faites pivoter le levier vers l'arrière de la machine (dans le sens inverse des aiguilles d'une montre). Pour remettre le frein en position normale ou pour enclencher le frein, faites pivoter le levier vers l'avant de la machine (dans le sens des aiguilles d'une montre). **REMARQUE :** Si le levier est laissé en position d'urgence, le frein ne fonctionnera pas avec le commutateur à clé, et la machine ne fonctionnera pas.

**⚠ MISE EN GARDE :** Ne pas activer le frein lorsque la machine se déplace.

**Arrêt de l'aspiration** Cf. figure 5. Le commutateur d'arrêt du moteur d'aspiration est situé dans le réservoir de récupération. Il éteint automatiquement le moteur d'aspiration lorsque le réservoir de récupération est plein.

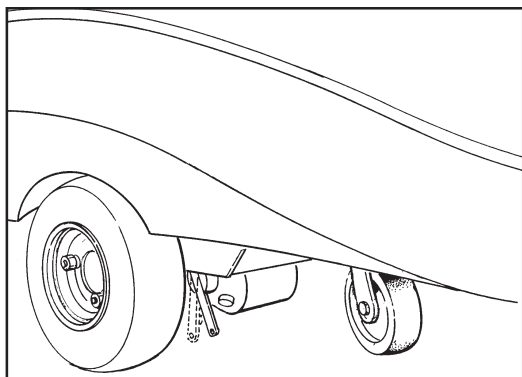


Figure #4



Figure #5



Figure #3a



Figure #3b



Figure #3c

**PREPARATION DE LA MACHINE  
AVANT UTILISATION**

**Installation des batteries**

Les Focus 28, 33 et 38 utilisent six batteries de 6 volts. Les batteries sont situées dans le compartiment à batteries, sous le réservoir de récupération.

Pour installer les batteries, appliquez la procédure suivante :

1. Mettez le commutateur à clé en position « ON ».
2. Assurez-vous que les deux réservoirs sont vides.
3. Débranchez les flexibles du réservoir de récupération (réservoir supérieur) et mettez les commutateurs du moteur d'aspiration et d'arrêt de l'aspiration en position « Off ».
4. Retirez le dispositif de fixation du réservoir.
5. Déposez le réservoir de récupération.
6. Placez les batteries dans le réservoir de solution comme indiqué dans les figures 6a et 6b.

**⚠ AVERTISSEMENT : En soulevant les batteries sans aide, vous risquez de vous blesser. Faites-vous aider pour soulever les batteries. Les batteries sont lourdes.**

**⚠ AVERTISSEMENT : Travailler avec des batteries peut être dangereux ! Portez toujours des lunettes et des vêtements de protection lorsque vous travaillez à proximité des batteries.  
NE PAS FUMER !**

7. Connectez les câbles de batterie entre les batteries et installez un long câble de batterie comme indiqué. Cf. figures 6a et 6b.
8. Installez le réservoir, rebranchez les flexibles et insérez les connecteurs du moteur d'aspiration et du commutateur d'arrêt de l'aspiration. Remettez le dispositif de fixation du réservoir en place.

**REMARQUE:** Charger les batteries avant d'utiliser la machine.

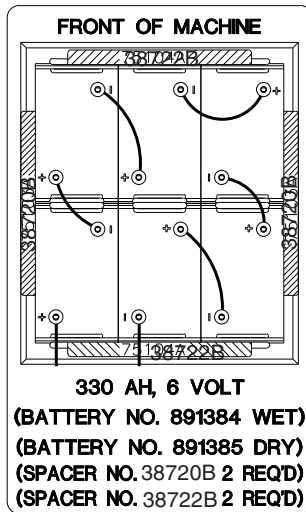


Figure #6a

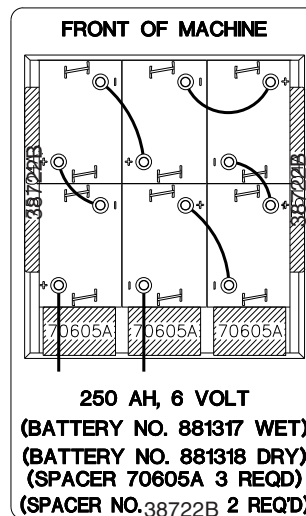


Figure #6b

## PREPARATION DE LA MACHINE AVANT UTILISATION

### Entretien des batteries

L'alimentation électrique de la machine est assurée par des batteries d'accumulateurs. Les accumulateurs nécessitent un entretien préventif.

**AVERTISSEMENT : Travailler avec des batteries peut être dangereux ! Portez toujours des lunettes et des vêtements de protection lorsque vous travaillez à proximité des batteries. NE PAS FUMER !**

Afin de maintenir les batteries en bon état, suivez ces instructions :

1. Veillez à maintenir en permanence un niveau d'électrolyte suffisant. Le niveau correct se situe entre 1/2 cm en-dessous du fond du tube de chacun des compartiments et au-dessus du sommet des plaques. Vérifiez le niveau d'électrolyte à chaque fois que vous rechargez les batteries. Cf. figure 7.

**REMARQUE :** Vérifiez le niveau d'électrolyte avant de recharger les batteries. Assurez-vous que les plaques de chaque compartiment sont recouvertes d'électrolyte. Ne remplissez pas les compartiments avant de recharger la batterie. L'électrolyte augmente de volume lors du chargement. Par conséquent, l'électrolyte risque de déborder des compartiments. Ne complétez le remplissage des compartiments avec de l'eau distillée qu'après le chargement.

**⚠ MISE EN GARDE :** Les batteries risquent d'être irrémédiablement endommagées si l'électrolyte ne recouvre pas entièrement les plaques. Veillez à maintenir en permanence un niveau d'électrolyte suffisant.

**⚠ MISE EN GARDE :** Un endommagement de la machine et un déversement des batteries risquent de se produire si les batteries sont trop remplies. Ne remplissez pas les batteries au-delà du fond du tube de chaque cellule. Essuyez toute trace d'acide présente sur la machine ou au sommet des batteries. N'ajoutez jamais d'acide une fois la batterie installée.

**⚠ MISE EN GARDE :** L'eau du robinet peut contenir des contaminants qui risquent d'endommager les batteries. Les batteries ne doivent être remplies qu'avec de l'eau distillée.

2. Veillez à ce que le dessus des batteries soit toujours propre et sec. Veillez à ce que les bornes et les connecteurs soient propres. Pour nettoyer le dessus des batteries, utilisez un chiffon humidifié avec une légère solution d'ammoniaque ou de bicarbonate de soude. Pour nettoyer les bornes et les connecteurs, utilisez un outil de nettoyage spécifique. Ne laissez pas l'ammoniaque ou le bicarbonate de soude pénétrer dans les batteries.
3. Veillez à ce que les batteries soient chargées.

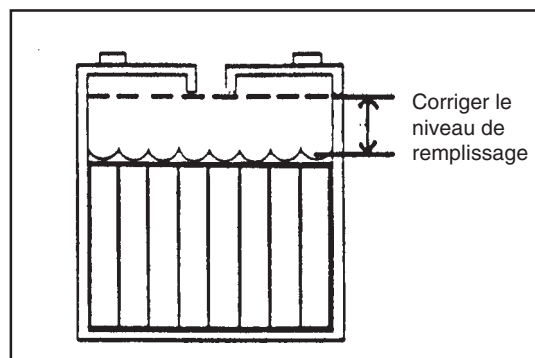


Figure 7

## PREPARATION DE LA MACHINE AVANT UTILISATION

### Chargement des batteries

**⚠ AVERTISSEMENT** : Le chargement des batteries dans une zone sans ventilation adéquate risque d'entraîner une explosion. Afin d'éviter tout risque d'explosion, ne rechargez les batteries que dans endroit bien ventilé.

**⚠ AVERTISSEMENT** : Les batteries au plomb génèrent des gaz susceptibles d'exploser. Tenez les batteries éloignées de toute étincelle et de toute flamme. **NE PAS FUMER !**

Suivez la procédure ci-dessous pour recharger les batteries :

1. Assurez-vous que le commutateur à clé est en position « OFF ».
2. Avant de recharger les batteries, le compartiment des batteries doit être ventilé. Pour aérer le compartiment, relevez le réservoir de récupération jusqu'à ce qu'il se verrouille en position ouverte (Cf. figure 8). Pour refermer le réservoir, tirez le levier vers le haut puis abaissez lentement le réservoir jusqu'à ce qu'il se verrouille en position fermée.

**⚠ MISE EN GARDE** : Veillez à ce que le réservoir soit vide avant de tenter de le soulever.

**⚠ AVERTISSEMENT** : Ne pas utiliser la machine ou procéder à une opération de maintenance sur cette dernière lorsque le réservoir de récupération est ouvert. Il risque d'être heurté et de se refermer brutalement.

3. Connectez le cordon d'alimentation CA du chargeur de batterie à une prise murale de 15 A (min.) et de 120V correctement reliée à la terre.
4. Observez le témoin lumineux afin de vous assurer que le processus de charge a bien commencé. Le clignotement des témoins indique que le chargement des batteries est en cours. Un témoin lumineux vert allumé indique que les batteries sont entièrement chargées.

REMARQUE : Assurez-vous que le chargeur est branché dans un circuit qui n'est pas déjà utilisé par un autre équipement. Les coupe-circuits pourraient se déclencher et le chargement ne pas s'effectuer.

**⚠ AVERTISSEMENT** : Ne chargez jamais une batterie sèche avec un chargeur non adapté. Suivez scrupuleusement les instructions données par le fabricant des batteries et du chargeur de batterie.

REMARQUE : Afin d'éviter d'endommager gravement les batteries, évitez de les laisser se décharger complètement. Ne laissez jamais les batteries complètement déchargées, même si la machine n'est pas utilisée. Maintenez le réservoir de récupération ouvert lorsque vous rechargez les batteries. Toutes les 20 opérations de recharge, vérifiez le niveau d'électrolyte et complétez, si nécessaire, avec de l'eau distillée.

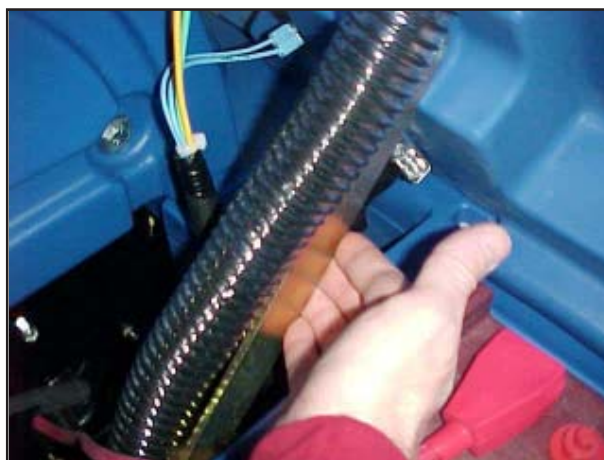


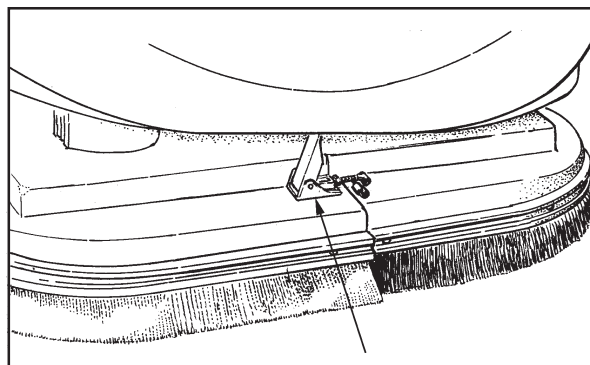
Figure # 8

## PREPARATION DE LA MACHINE AVANT UTILISATION

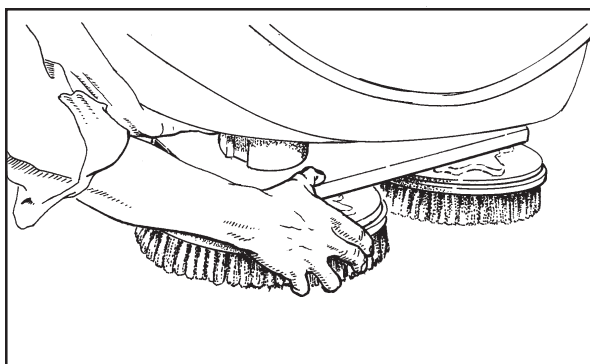
### Installation des brosses ou des entraîneurs de disque

Pour installer les brosses ou les entraîneurs de disque sur la machine, appliquez cette procédure :

1. Mettez le commutateur à clé en position « ON ».
2. Mettez le commutateur de position des brosses en position « UP ».
3. Mettez le commutateur à clé en position « OFF ».
4. Allez à l'avant de la machine.
5. Retirez le dispositif de fixation des protections situées à gauche et à droite des brosses et retirez-les. Cf. figure 9.
6. Placez une brosse ou un entraîneur de disque sous la plaque du moteur des brosses. Cf. figure 10.
7. Alignez les saillies sur l'axe de cardan du moteur à l'aide des fentes situées sur l'axe de cardan des brosses.
8. Poussez la brosse vers le haut jusqu'à ce que les axes se verrouillent.
9. Répétez les étapes 6, 7 et 8 pour installer la seconde brosse ou le second entraîneur de disque.



**Figure #9**



**Figure #10**

### Retrait des brosses ou des entraîneurs de disques

Pour retirer les brosses ou les entraîneurs de disque de la machine, appliquez la procédure suivante :

1. Mettez le commutateur à clé en position « ON ».
2. Mettez le commutateur de position des brosses en position « UP ».
3. Mettez le commutateur à clé en position « OFF ».
4. Allez à l'avant de la machine.
5. Poussez les deux côtés de la brosse ou de l'entraîneur de disque vers le bas jusqu'à ce que les axes se libèrent.

**UTILISATION DE LA MACHINE****Utilisation du système One Touch (Modèles de “Classe L “ uniquement)**

Le nettoyage One Touch est une nouvelle fonction proposée par l'autolaveuse autoportée Focus. Les réglages d'usine par défaut sont : 2 bars pour la pression des brosses, 4 bars pour le débit d'écoulement de la solution lavante et la raclette en position basse.

1. Enfoncez et relâchez le bouton vert pour activer les fonctions de nettoyage (Cf. figure 11A).
2. La raclette et la brosse s'abaissent vers le sol et le moteur d'aspiration démarre. **REMARQUE** : Le commutateur de position de la raclette doit être en position centrale pour que la raclette puisse fonctionner à l'aide du bouton One Touch (Cf. figure 11B).
3. Les brosses et l'écoulement de la solution ne commencent à fonctionner que lorsque la machine se met à avancer.
4. Le nettoyage sera effectué selon les réglages usine par défaut. Cependant, vous pouvez reprogrammer ces réglages en fonction de vos besoins. Voir la section « Reprogrammation d'un bouton One Touch ».
5. Pour arrêter le processus de nettoyage, appuyez de nouveau sur le bouton vert : la solution cesse de s'écouler, les brosses se relèvent, la raclette se relève également peu de temps après et le moteur s'éteint.

**REMARQUE** : Ceci est destiné à être effectué lorsque la machine avance. Si cette opération est effectuée à l'arrêt, de la solution risque de rester sur le sol.

**Reprogrammation d'un bouton One Touch**

Si vous ne souhaitez pas utiliser les réglages usine, vous pouvez reprogrammer ces réglages en suivant la procédure ci-dessous :

1. Placez la machine dans la configuration de nettoyage désirée en utilisant le bouton One Touch et chacun des commutateurs.
2. Maintenez le bouton One Touch vert enfoncé jusqu'à ce que l'écran LCD clignote, puis relâchez le bouton. **REMARQUE** : le temps nécessaire est d'environ 5 secondes.
3. Lorsque vous activez ou que vous désactivez le bouton One Touch, ce bouton est désormais programmé en fonction de vos préférences de nettoyage. Ces réglages seront maintenus jusqu'à ce que vous coupez l'alimentation électrique ou que vous les reprogrammiez. **REMARQUE** : Lorsque vous programmez un bouton One Touch, assurez-vous que la raclette est en position automatique (milieu), sinon vous pourriez programmer la raclette pour qu'elle soit toujours en position haute ou basse.

**Restauration des paramètres par défaut d'un bouton One Touch**

Pour restaurer les réglages d'usine, appliquez la procédure suivante :

1. Maintenez le bouton One Touch vert enfoncé jusqu'à ce que l'écran LCD clignote deux fois (à 5 secondes d'intervalle). Cf. figure 11. **REMARQUE** : le temps nécessaire est d'environ 10 secondes.
2. Les réglages devraient revenir à 4 bars de pression pour la solution et à 2 bars de pression pour les brosses. **REMARQUE** : Le commutateur d'aspiration doit être en position centrale pour correspondre aux réglages usine.



**Figure #11**



## UTILISATION DE LA MACHINE

### Utilisation de la raclette (modèles de "Classe S" uniquement)

La raclette essuie le sol tandis que le moteur d'aspiration enlève la solution sale du sol. Utilisez votre main droite pour abaisser ou relever la manette de commande de la raclette. Suivez la procédure ci-dessous pour utiliser la raclette :

1. Pour abaisser la raclette et allumer le moteur d'aspiration, déplacez la manette de commande de la raclette vers la droite et vers le bas. Cf. figure 12.
2. Pour relever la raclette, relevez la manette de commande. Cf. figure 13.

**Remarque :** lorsque la manette est en position centrale, le moteur d'aspiration continue à fonctionner et la raclette n'est plus en contact avec le sol afin d'éviter toute vidange.

### Remplissage du réservoir de solution

**⚠ MISE EN GARDE :** Faites attention à ce que l'eau ou la solution Ne pénètre pas par l'ouverture du moteur d'aspiration. Cf. figure 14.

Le réservoir de solution peut être rempli par l'avant ou à l'aide du tuyau de vidange situé à l'arrière de la machine. Appliquez la procédure suivante pour remplir le réservoir de solution :

1. Retirez le couvercle du réservoir de solution. Cf. figure 15.
2. Remplissez le réservoir de solution avec de l'eau.
3. Ajoutez un agent nettoyant dans l'eau. Consultez les indications figurant sur le bidon pour connaître la quantité correcte.

**⚠ AVERTISSEMENT :** Les solutions aqueuses ou les produits de nettoyage utilisés avec ce type de machine peuvent laisser des zones humides au sol. Ces zones peuvent s'avérer dangereuses pour l'opérateur et pour les autres personnes. Veillez à toujours placer une pancarte ATTENTION à proximité de la zone que vous nettoyez.

**⚠ AVERTISSEMENT :** Les machines peuvent enflammer les matériaux inflammables et les vapeurs. N'utilisez pas cette machine avec ou à proximité de combustibles, de poussière agro-alimentaire, de solvants et de diluants. N'utilisez que la concentration de liquide de nettoyage recommandée par le fabricant du produit.

**⚠ AVERTISSEMENT :** Clarke recommande une température d'eau maximum de 49°C.

4. Remettez le couvercle du réservoir de solution en place.
5. Lorsque vous remplissez la machine par l'arrière, positionnez le flexible de vidange contre la fixation et insérez le flexible comme indiqué dans la figure 16. Le niveau de solution peut être vérifié depuis l'arrière de la machine.



Figure #12



Figure #13



Figure #14



Figure #15



Figure #16

**UTILISATION DE LA MACHINE****Conduite de la machine**

**REMARQUE :** Mettez la machine en vitesse lente (Cf. figure 17). Utilisez la machine dans une zone ne comportant ni meubles, ni objets jusqu'à ce que vous sachiez faire les choses suivantes :

1. Déplacez la machine en ligne droite, en avant et en arrière.
2. Arrêter la machine en toute sécurité.
3. Déplacez la machine en ligne droite après l'avoir fait tourner.

Suivez la procédure ci-dessous pour déplacer la machine :

1. Mettez le commutateur à clé en position « ON ».
2. Mettez le commutateur de position des brosses en position « UP ».
3. Relevez la raclette.
4. Pour avancer, poussez l'un des deux (ou les deux) commutateurs jaunes de marche avant (Cf. figure 18).
5. Pour stopper la machine, relâchez les commutateurs jaunes de marche avant.
6. Pour reculer, enfoncez simultanément le bouton blanc de marche arrière et l'un des commutateurs jaunes de marche avant (Cf. figure 19).
7. Pour faire tourner la machine, pousser l'arrière de la machine vers le côté.
8. Lorsque vous arrêtez la machine, mettez le commutateur à clé en position « OFF » .

**Nettoyage d'un sol**

**⚠ AVERTISSEMENT :** Les solutions aqueuses ou les produits de nettoyage utilisés avec ce type de machine peuvent laisser des zones humides au sol. Ces zones peuvent s'avérer dangereuses pour l'opérateur et pour les autres personnes. Veillez à toujours placer une pancarte ATTENTION à proximité de la zone que vous nettoyez.

Pour nettoyer un sol, appliquez la procédure suivante :

1. Mettez de l'eau et un agent chimique nettoyant dans le réservoir de solution.
2. Mettez le commutateur à clé en position « ON ». Si vous utilisez la fonction One Touch, enfoncez le bouton vert et passez à l'étape 6 (modèles deluxe uniquement).
3. Abaissez la raclette.
4. Mettez le commutateur de position des brosses en position « DOWN ».
5. Réglez le débit d'écoulement de la solution selon vos besoins.
6. Faites avancer la machine sur le sol.
7. Faites un virage à 180°.

**REMARQUE :** Lorsque vous effectuez des passages multiples sur un sol, faites se chevaucher les couloirs de nettoyage d'environ 5 cm.

**REMARQUE :** Lors de la plupart des opérations de nettoyage, vous appliquerez et retirerez la solution en une seule et même opération.



Figure # 17



Figure #18



Figure #19

## OPERACIÓN DE LA MÁQUINA

### Limpieza de pisos muy sucios

Para limpiar pisos muy sucios, siga este procedimiento:

1. Aplique solución al piso.
2. No baje la escobilla de goma.
3. No active el motor de vacío.
4. Baje los cepillos y limpie el piso.
5. Deje la solución en el piso por el tiempo suficiente necesario para que la solución comience a actuar.
6. Limpie el piso nuevamente con más solución, recogiendo toda la solución con la escobilla de goma.



Figure #20

## MANTENIMIENTO

**⚠ ADVERTENCIA:** El mantenimiento y las reparaciones sólo deben realizarlas personal autorizado.

**⚠ ADVERTENCIA:** Vacíe siempre el depósito de solución y el de recuperación antes de realizar las tareas de mantenimiento.

**⚠ ADVERTENCIA:** Mantenga todas las sujeciones apretadas.

**Hay que realizar estos procedimientos de mantenimiento todos los días**

Mantenga la máquina limpia: necesitará menos reparaciones y tendrá una vida útil más prolongada.

**Efectúe estos procedimientos al comienzo del período de trabajo**

1. Apague el interruptor de llave.
2. Desenchufe el cargador del tomacorriente de C.A. y enrolle el cable alrededor de la abrazadera en la parte posterior de la máquina.
3. Compruebe que la tapa del depósito de recuperación esté en su lugar (consulte la figura 20).
4. Compruebe que el filtro de tela metálica sobre el motor de vacío esté limpio y bien colocado (consulte la figura 20).
5. Compruebe que la válvula de la manguera de drenaje de recuperación esté limpia. Cierre y apriete bien la válvula.
6. Compruebe que los alojamientos de los cepillos y los faldones estén en la posición correcta sobre el cabezal del cepillo.
7. Asegúrese de que los cepillos estén en posición y se hayan instalado correctamente
8. Verifique la instalación de la escobilla de goma y de la manguera de la misma.

**ENTRETIEN**

**Procédures à appliquer à la fin de la session de travail**

1. Vidangez le réservoir de solution (figure 21A) et le Réservoir de récupération (figure 21 B). Pour vidanger les réservoirs, appliquez la procédure suivante :
  - a. Mettez le commutateur à clé en position « OFF ».
  - b. Retirez le flexible de l'arrière de la machine.
  - c. Placez l'extrémité du flexible au-dessus d'un point d'écoulement des eaux ou d'un seau.
  - d. Réservoir de récupération :  
Tournez le corps de valve vers la gauche (voir figure 22). Pour ouvrir complètement la valve, tournez le corps de valve entièrement vers la gauche et sortez le corps de valve.

Réservoir de solution :  
Lorsque le flexible est placé en-dessous du niveau de l'eau, l'eau commence à s'écouler (Cf. figure 23).

2. Rincez les réservoirs à grande eau. Pour rincer les réservoirs, mettez de l'eau propre dans le réservoir en utilisant son orifice supérieur.
3. Si le réservoir ou le flexible de vidange est bouché, utilisez de l'eau sous pression pour rincer le réservoir ou le flexible. Mettez le tuyau d'eau dans le flexible de vidange.
4. Laissez les réservoirs et les valves des flexibles sécher à l'air libre.
5. Vérifiez le balai de la raclette. Utilisez un chiffon pour nettoyer le balai de la raclette. Si le balai de la raclette est abîmé ou usé, retournez-le ou remplacez-le.
6. Vérifiez et nettoyez la fixation du couvercle du réservoir de récupération. Utilisez une solution nettoyante douce et rincez les pièces à l'eau claire.

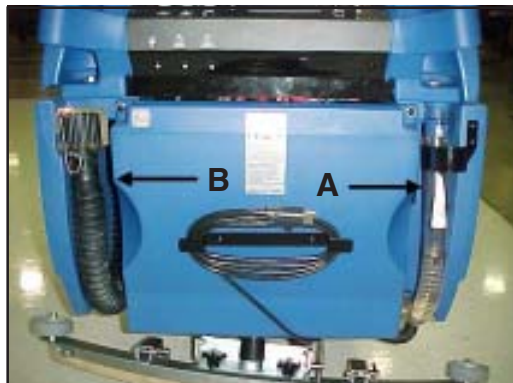
Vérifiez les batteries et ajoutez de l'eau distillée si nécessaire. Le niveau maximum se situe à 6 mm du fond du tube de chaque cellule.

**⚠ MISE EN GARDE : L'eau du robinet peut contenir des contaminants qui risquent d'endommager les batteries. Les batteries ne doivent être remplies qu'avec de l'eau distillée.**

**⚠ AVERTISSEMENT : Les batteries au plomb génèrent des gaz susceptibles de provoquer une explosion. NE PAS FUMER. Portez toujours des lunettes et des vêtements de protection lorsque vous travaillez à proximité des batteries.**

Utilisez un chiffon propre pour essuyer la surface de la machine.

Chargez les batteries. Consultez les instructions données dans la section de ce Manuel intitulée « Rechargement de la batterie ».



**Figure #21**



**Figure #22**



**Figure #23**

## ENTRETIEN

**Ces opérations de maintenance doivent être faites toutes les semaines:**

**⚠ AVERTISSEMENT :** L'entretien et les réparations ne doivent être effectués que par un technicien agréé. Videz toujours les réservoirs de solution et de récupération avant toute opération de maintenance. Veillez à ce que tous les dispositifs de fixation soient serrés.

**⚠ AVERTISSEMENT :** Portez toujours des lunettes et des vêtements de protection lorsque vous travaillez à proximité des batteries. Ne placez aucun outil, ni aucun autre objet métallique sur les bornes de la batterie ou sur le dessus des batteries.

**⚠ MISE EN GARDE :** Afin d'éviter d'endommager la machine, et d'éviter tout débordement de la batterie, ne remplissez pas les batteries au-delà du sommet du tube de chaque compartiment. Essuyez toute trace d'acide présente sur la machine ou au sommet des batteries. N'ajoutez jamais d'acide dans les batteries une fois celles-ci installées.

**REMARQUE :** Mettez toujours le commutateur à clé en position « off » avant de procéder à une opération de maintenance sur la machine.

**⚠ AVERTISSEMENT :** Portez toujours des lunettes de protection et des vêtements adaptés lorsque vous travaillez à proximité des batteries. **NE PAS FUMER !**

1. Pour inspecter les batteries, relevez le réservoir de récupération jusqu'à ce qu'il se verrouille en position haute. Voir la figure 24.
2. Déconnectez les batteries. Utilisez un chiffon et une solution d'ammoniaque ou de bicarbonate de soude pour essuyer le dessus des batteries. Nettoyez les bornes de la batterie. Reconnectez les batteries.
3. Vérifiez que les flexibles ne présentent aucune fuite, aucune obstruction et aucun autre dommage.
4. Vérifiez et nettoyez le filtre du flexible du réservoir de solution. Suivez la procédure ci-dessous pour nettoyer le filtre :
  - a. Tournez le connecteur vers la gauche.
  - b. Retirez et nettoyez le filtre.
  - c. Installez le filtre dans le flexible. Tournez le connecteur vers la droite pour connecter le flexible.
5. Utilisez un pistolet graisseur pour lubrifier la roue d'entraînement et les galets pivotants. Cf. figure 25.
6. Vérifiez la pression des pneus. Celle-ci doit être d'environ 50 psi.



Figure #24

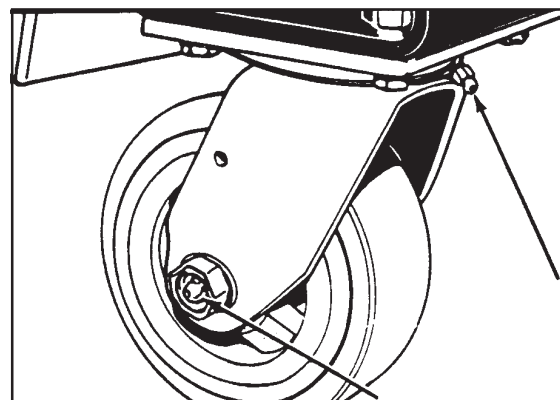


Figure #25

**ENTRETIEN**

7. Vérifiez que la raclette et que les brosses ou les disques ne soient pas endommagés.

8. Vérifiez que la raclette et que le flexible d'aspiration ne sont pas endommagés, ne fuient pas et ne sont pas bouchés.

**Entretien de la raclette**

Suivez la procédure ci-dessous pour retirer la raclette :

1. Retirez la raclette en dévissant les deux molettes de fixation qui retiennent la raclette sur la machine. Déposez la raclette. Cf. figure 26.
2. Vérifiez le balai de la raclette.
3. Si le balai est usé, tournez-le jusqu'à ce qu'une nouvelle arête soit en position de nettoyage.
4. Réinstallez la raclette sur la machine.

**Réglage de la raclette**

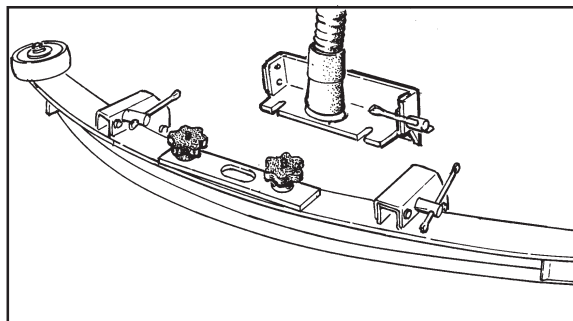
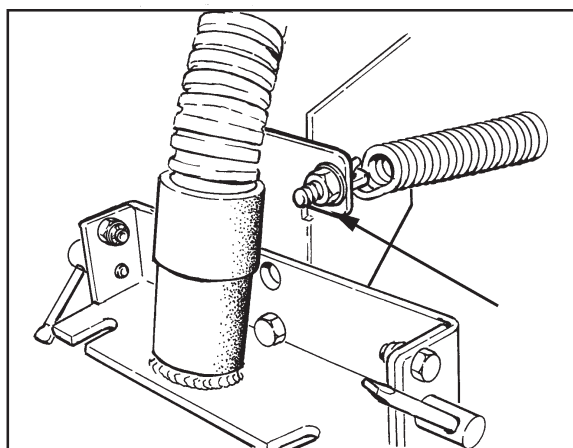
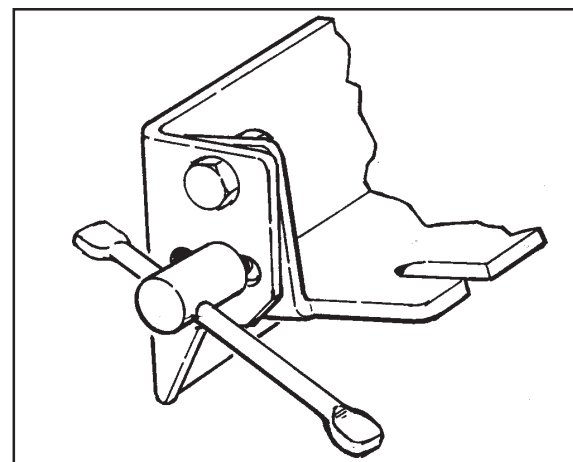
Les réglages suivants sont effectués en usine, cependant ils peuvent nécessiter un léger ajustement.

**Réglage de la pression de la raclette:**

Référez-vous à la figure 27 pour régler la pression de la raclette. Un réglage correct génère une courbure régulière du balai arrière lorsque la machine avance. Pour augmenter la pression, serrez les écrous situés de chaque côté du bras pivotant. Pour réduire la pression, dévissez les écrous situés de chaque côté.

**Réglage de l'inclinaison de la raclette:**

L'inclinaison de la raclette permet au balai arrière de se relever au centre ou aux extrémités, en fonction de la direction dans laquelle l'inclinaison a été modifiée. Pour régler l'inclinaison, référez-vous à la figure 28. Dévissez les vis "X" gauche et droite. Afin d'abaisser le balai arrière au centre, placez "Y" vers le bas. Pour abaisser les deux extrémités, placez "Y" vers le haut. Procédez par très petits ajustements et continuez jusqu'à ce qu'une déformation uniforme soit atteinte. La modification de l'inclinaison peut nécessiter un réglage de la pression exercée sur la raclette.

**Figure #26****Figure #27****Figure #28**

## ENTRETIEN

### Réglage des balais de la raclette:

Lorsqu'il est correctement installé, le balai avant doit être à environ 0,12 au-dessus du balai arrière. Cf. figure 29.

**⚠ AVERTISSEMENT :** L'entretien et les réparations doivent être effectuées par du personnel autorisé.

**⚠ AVERTISSEMENT :** L'entretien et les réparations ne doivent être effectués que par un technicien agréé.

Consultez votre personnel d'entretien agréé Clarke pour effectuer les procédures d'entretien.

N'utilisez que des pièces d'origine Clarke.

### Nettoyage du tuyau d'écoulement de la solution

Si le tuyau d'écoulement de la solution se bouche, retirez le filtre du compartiment des brosses (figure 30). Eteindre la soupape de solution. Retirez l'écran du filtre (figure 31, B). Nettoyez-le ou remplacez-le. Allumer la soupape de solution (figure 31, A). Replacez le filtre dans son emplacement.

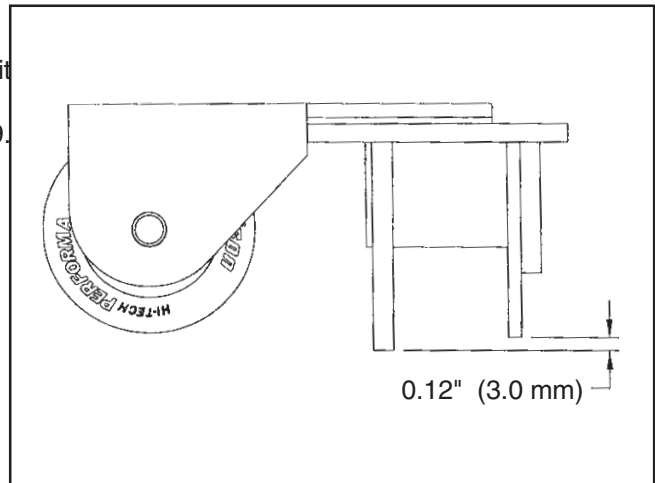


Figure #29

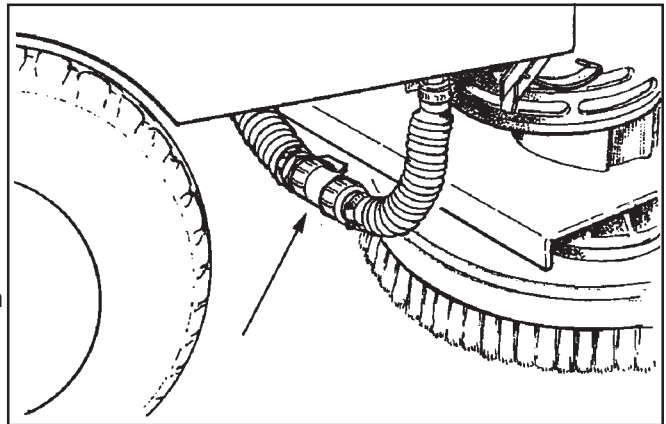


Figure #30

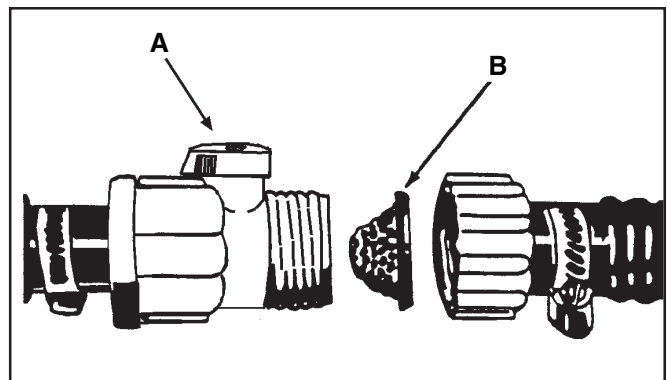


Figure #31

**RESOLUTION DES PROBLEMES RENCONTRES AVEC LA MACHINE**

PROBLEME	CAUSE	ACTION
<p><b>La machine ne récupère pas toute l'eau présente sur le sol.</b></p>	<p>La raclette est relevée.</p> <p>Le réservoir de récupération est plein.</p> <p>Le filtre de solution est sale.</p> <p>La raclette, son flexible ou son tuyau sont bouchés ou endommagés.</p> <p>Le moteur d'aspiration ne fonctionne pas.</p> <p>Le flexible de la raclette est déconnecté.</p> <p>Le balai de la raclette est endommagé, usé ou mal installé.</p> <p>La pression de la raclette est mal réglée.</p> <p>Les joints du couvercle du réservoir de récupération sont endommagés.</p>	<p>Abaissez la raclette.</p> <p>Vidangez le réservoir.</p> <p>Nettoyez le filtre.</p> <p>Débouchez-le ou réparez-le.</p> <p>Vérifiez le disjoncteur qui s'est déclenché. Faites réparer la machine par un technicien agréé.</p> <p>Connectez le flexible.</p> <p>Remplacez ou retournez les balais de la raclette. Installez correctement le balai de la raclette.</p> <p>Réglez la pression exercée sur la raclette.</p> <p>Remplacez les joints.</p>
<p><b>Les batteries ne fonctionnent pas aussi longtemps que prévu.</b></p>	<p>Les bornes des batteries sont sales ou endommagées.</p> <p>Le niveau d'électrolyte est trop bas.</p> <p>Les batteries ne sont pas entièrement chargées.</p> <p>Le chargeur est endommagé.</p> <p>La batterie est défectueuse.</p> <p>Les batteries sont débranchées.</p>	<p>Nettoyez les bornes et les connecteurs. Remplacez les câbles endommagés. Chargez les batteries.</p> <p>Ajoutez de l'eau distillée dans chaque cellule et rechargez les batteries.</p> <p>Rechargez les batteries pendant un cycle complet de charge de 16 heures.</p> <p>Faites réparer le chargeur par un technicien agréé.</p> <p>Vérifiez la tension de chaque cellule pendant le déchargement.</p> <p>Connectez les batteries.</p>
<p><b>Le nettoyage est irrégulier.</b></p>	<p>Les brosses ou les disques sont usés.</p> <p>La brosse, les galets pivotants ou la valve du réservoir de solution sont endommagés.</p> <p>Le moteur des brosses ne fonctionne pas.</p> <p>Le niveau de solution est faible.</p>	<p>Remplacez la brosse ou le disque.</p> <p>Faites réparer la machine par un technicien agréé.</p> <p>Vérifiez le disjoncteur et réinitialisez-le. Vérifiez que les connexions sont correctes.</p> <p>Remplissez le réservoir de solution.</p> <p>REMARQUE : si le moteur continue à s'arrêter, consultez un technicien agréé.</p>
<p><b>La machine ne démarre pas.</b></p>	<p>La machine perd de la puissance.</p>	<p>Initialisez le coupe-circuit. Vérifiez les connexions du câble au moteur de déplacement.</p> <p>Remplacez les fusibles.</p> <p>Vérifiez les connexions de la batterie.</p> <p>Vérifiez la position du levier du frein de stationnement (s'il est installé)</p> <p>REMARQUE : si le moteur continue à s'arrêter, consultez un technicien agréé.</p>



## FOCUS L28/L33/L38 WB

### Codes d'erreur courants

CODE ERREUR	CAUSE	ACTION
3100 3101 3102 3103 3104 3105	Court-circuit probable du dispositif d'alimentation.	Vérifiez les connexions au niveau de la transmission, de la brosse et du moteur d'aspiration sur le trio et vérifiez le câblage de ces connecteurs jusqu'aux moteurs de déplacement, des brosses et d'aspiration.
7600	Circuit ouvert sur les moteurs de la brosse et sur le câblage du moteur des brosses.	Vérifiez la connexion du moteur des brosses sur le trio et vérifiez le câblage entre ce connecteur et le moteur des brosses.
7603	Court-circuit possible au niveau du moteur des brosses ou du câblage.	
7800	Court-circuit au niveau du moteur de déplacement.	Vérifiez la connexion du moteur de déplacement sur le trio et le câblage jusqu'au moteur.
7802	Le moteur de déplacement a atteint la limite de la durée de repli.	Pente trop forte ou machine butant contre un obstacle ou une marche.
9000	Brosses non adaptées	Brosses
2F01	Système de transmission activé avant que le commutateur à clé ne soit mis en position "ON".	Relâchez puis ré-enfoncez le commutateur de déplacement.

REMARQUE : EN CAS DE CODE ERREUR/PANNE, ETEIGNEZ PUIS RALLUMEZ LE COMMUTATEUR A CLE.

Pour plus de codes d'erreur et plus d'explications, contactez un Centre de service Clarke.

**ACCESSOIRES**

<u>Description</u>	<u>N° de pièce</u>
Power Wand System Kit	10 892A
Kit système de recyclage ESP	10 894A
Soft Caster Asm.	52 127A
Kit d'entretien Clarke	14 607A
Bras de raclette, en option 29" (modèle 28 uniquement)	18 818A
Roue, remplie de mousse	59 955A
Kit frein de stationnement électrique <i>Imperial</i>	10 684A
Système de maintenance de la batterie Clarke (CBMS)	53 390A

**Balais de raclette en option:**

<u>Machine</u>	<u>Balai</u>	<u>Type</u>	<u>Matériau</u>	<u>Longueur</u>	<u>N° de pièce</u>
28	Intérieur	En option	Uréthane, nervuré (60)	25.88"	30951A
28	Intérieur	En option	Urethane, à encoches, 1/16" (80)	25.88"	30955A
28	Intérieur	En option	Uréthane, nervuré (60)	35.88"	30952A
28	Intérieur	En option-Injecté	Uréthane, à encoches, 1/16" (80)	35.88"	30957A
28	Intérieur	En option	Caoutchouc, à encoches (35)	35.88"	30716A
28	Intérieur	En option	Neoprene, à encoches (80)	25.88"	30930A
28,33	Intérieur	En option	Caoutchouc, à encoches (35)	40.25"	30717A
33	Intérieur	En option	Uréthane, nervuré (60)	40.25"	30953A
33	Intérieur	En option-Injecté	Uréthane, à encoches, 1/16" (80)	41.00"	30958A
38	Intérieur	En option	Uréthane, nervuré (60)	46.00"	30954A
38	Intérieur	En option-Injecté	Urethane, à encoches, 1/16" (80)	46.00"	30959A
38	Intérieur	En option	Neoprene, à encoches (80)	46.00"	30934A
28	Extérieur	En option	Nitrile, Solide (40)	28.12"	30938A
28	Extérieur	En option	Nitrile, Solide (40)	38.50"	30936A
28	Extérieur	En option	Caoutchouc, Solide (35)	38.50"	30912A
28	Extérieur	En option	Caoutchouc, Solide (35)	28.12"	30931A
28,33	Extérieur	En option	Caoutchouc, Solide (35)	43.50"	30557A
33	Extérieur	En option	Caoutchouc, Solide (35)	42.12"	30913A
33	Extérieur	En option	Nitrile, Solide (40)	42.12"	30937A
38	Extérieur	En option	Nitrile, Solide (40)	48.00"	30939A
38	Extérieur	En option	Caoutchouc, Solide (35)	48.00"	30935A

<u>Brosses :</u>	<u>Taille</u>	<u>Description</u>	<u>N° de pièce</u>
	17"	Poly	11 424B
	17"	Grit-Heavy	11 425B
	17"	Grit-Medium	11 430B
	17"	Grit-Lite	10 384A
	17"	Soft Nylon	10875A
	14"	Poly	11 427B
	14"	Grit-Heavy	11 426B
	14"	Grit-Medium	11 431B
	14"	Grit-Lite	10 383A
	14"	Soft Nylon	10874A
	19"	Poly	11 434B
	19"	Grit-Heavy	11 433B
	19"	Grit-Medium	11 432B
	19"	Grit-Lite	10 385A
	19"	Soft Nylon	11 435B

**Entraîneurs de disque :**

<u>Taille</u>	<u>N° de pièce</u>
19"	17 524B
17"	17520C
14"	17521C

---

# Clarke®

## FOCUS

S28 / L28 WB

S33 / L33 WB

S38 / L38 WB

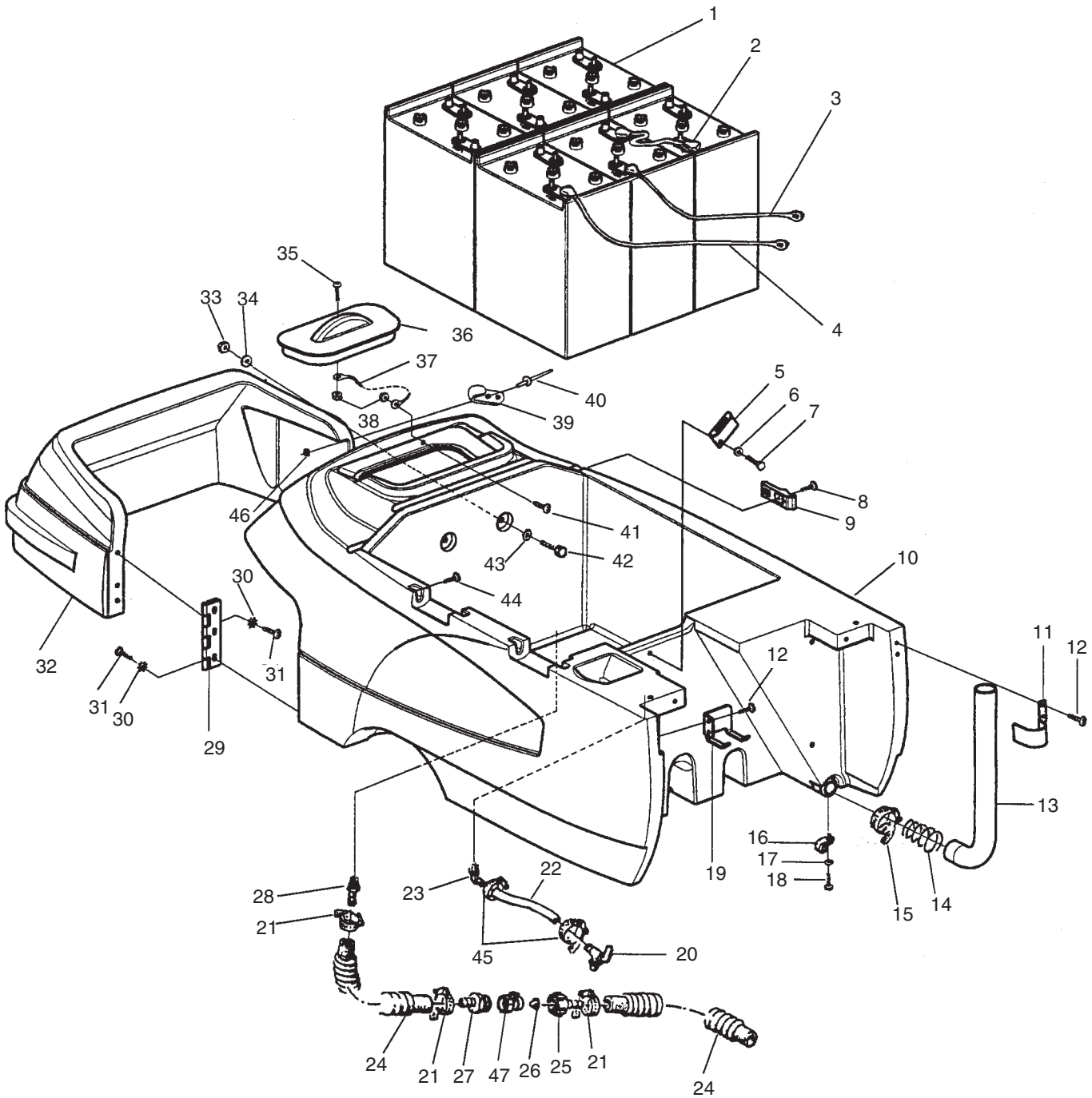
Section II

## Parts and Service Manual

(70851A)

U.S. Patent No. 6,760,947; No. 6,105,192; No. RE39, 581 (Deluxe Machines); & Patent Pending  
Canada Patent No. 2,353,279 (Deluxe Machines)

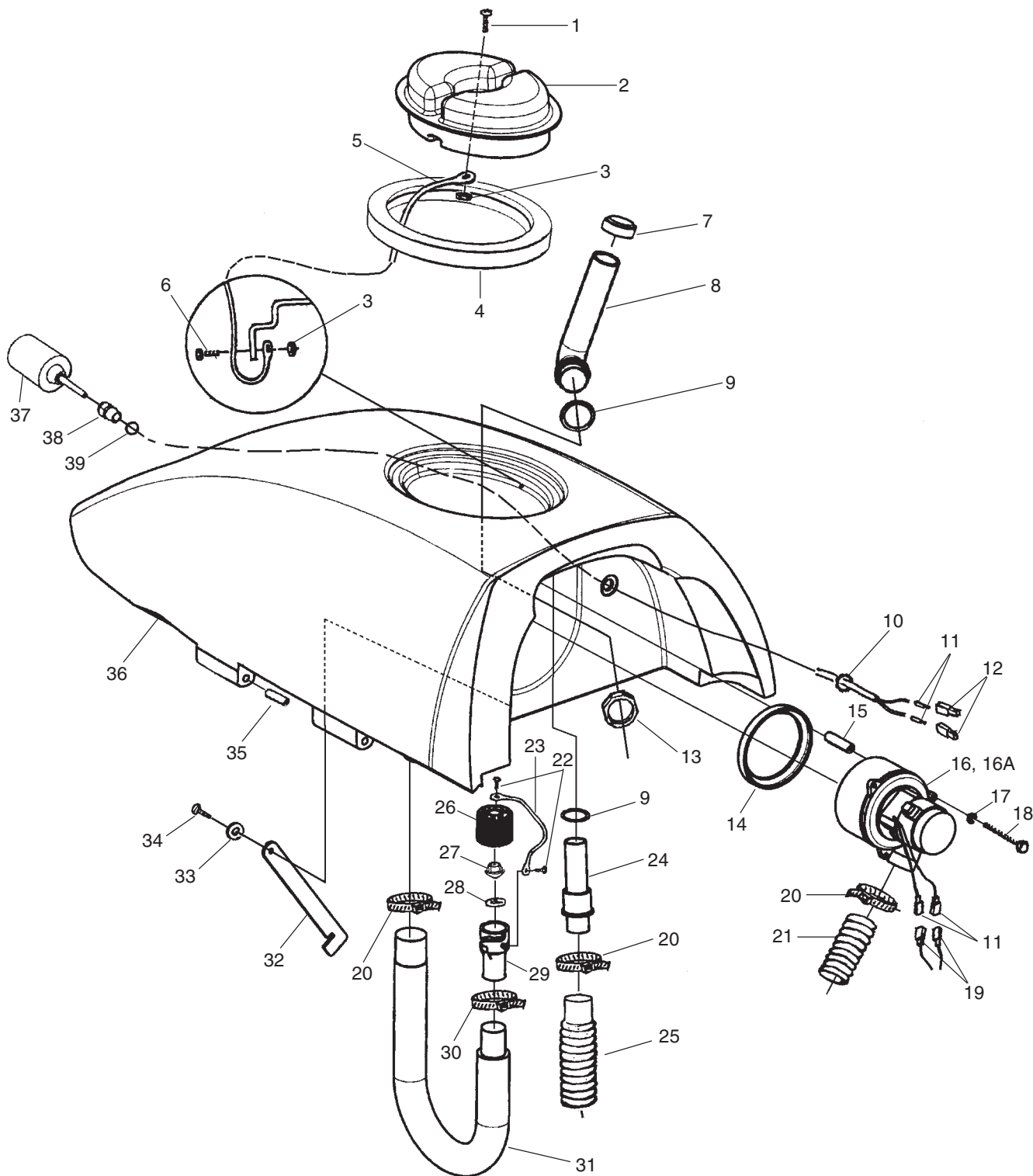
**Clarke®**  
**FOCUS 28/33/38 WB**  
**Solution Tank Assembly Drawing 11/06**



**Clarke®**  
**FOCUS 28/33/38 WB**  
**Solution Tank Assembly Parts List 11/06**

Ref #	Part No.	Description	Qty
1	881317	Battery - 250 AH - 6 Volt	6
	891384	Battery - 330 AH - 6 Volt	6
2	842406	Series Cable - 9"	5
3	40613A	Battery Cable, Black	1
4	40612A	Battery Cable, Red	1
5	61713A	Tank Support Bracket	1
6	170892	Washer, Lock 1/4	2
7	170915	Screw, 1/4-20 x 3/4 Hex	2
8	962027	Screw, 8-32 x 1/2 PN	2
9	50966A	Latch	1
10	30590A	Solution Tank	1
11	60480A	Hose Bracket	1
12	80108A	Screw, 10-24 x 1/2 PN	4
13	30598A	Drain Hose	1
14	51346A	Spring, Hose	1
15	872010	Hose Clamp	1
16	98465A	Clamp, Metal	1
17	980657	Washer, Lock 1/4	1
18	962139	Screw, 1/4-20 x 5/8 Hex	1
19	61590A	Hose Hanger Bracket	1
20	59614A	Battery Drain Valve	1
21	53571A	Hose Clamp	4
22	30453A	Hose	1
23	822802	Elbow	1
24	30445A	Solution Hose	2
25	50358A	Connector	1
26	838517	Filter Screen	1
27	830214	Hose Adapter	1
28	50359A	Solution Adapter	1
29	53568A	Hinge	1
30	980614	Washer, 1/4 External	6
31	85395A	Screw, 1/4-20 x 1/2 PN	6
32	30593A	Front Cover	1
33	81105A	Nut, 3/8-16 ESNA	2
34	930645	Washer, 3/8 Flat	2
35	962798	Screw, 10-24 x 1/2 PN	1
36	30498A	Solution Lid	1
37	38020A	Strap	1
38	920296	Nut, 10-24 ESNA	2
39	50966A	Keeper, Latch	1
40	930090	Rivet, 5/32 x 9.16 (Prior to DL0055)	2
40	85614A	Screw, 8-32 x 3/4 PN (starting w/DL0055)	2
41	962666	Screw, 10-24 x 3/4 PN	1
42	962522	Screw, 3/8-16 x 2 Hex	2
43	87054A	Washer, 3/8 Fender	2
44	80289A	Screw, 10 x 1/2 Tapping PN	2
45	50248A	Clamp, Hose	2
46	81109A*	Nut, 8-32 SS Elastic Lock	2
47	54088A	Valve, Shut-off	1

Clarke®  
FOCUS 28/33/38 WB  
Recovery Tank Assembly Drawing 6/07

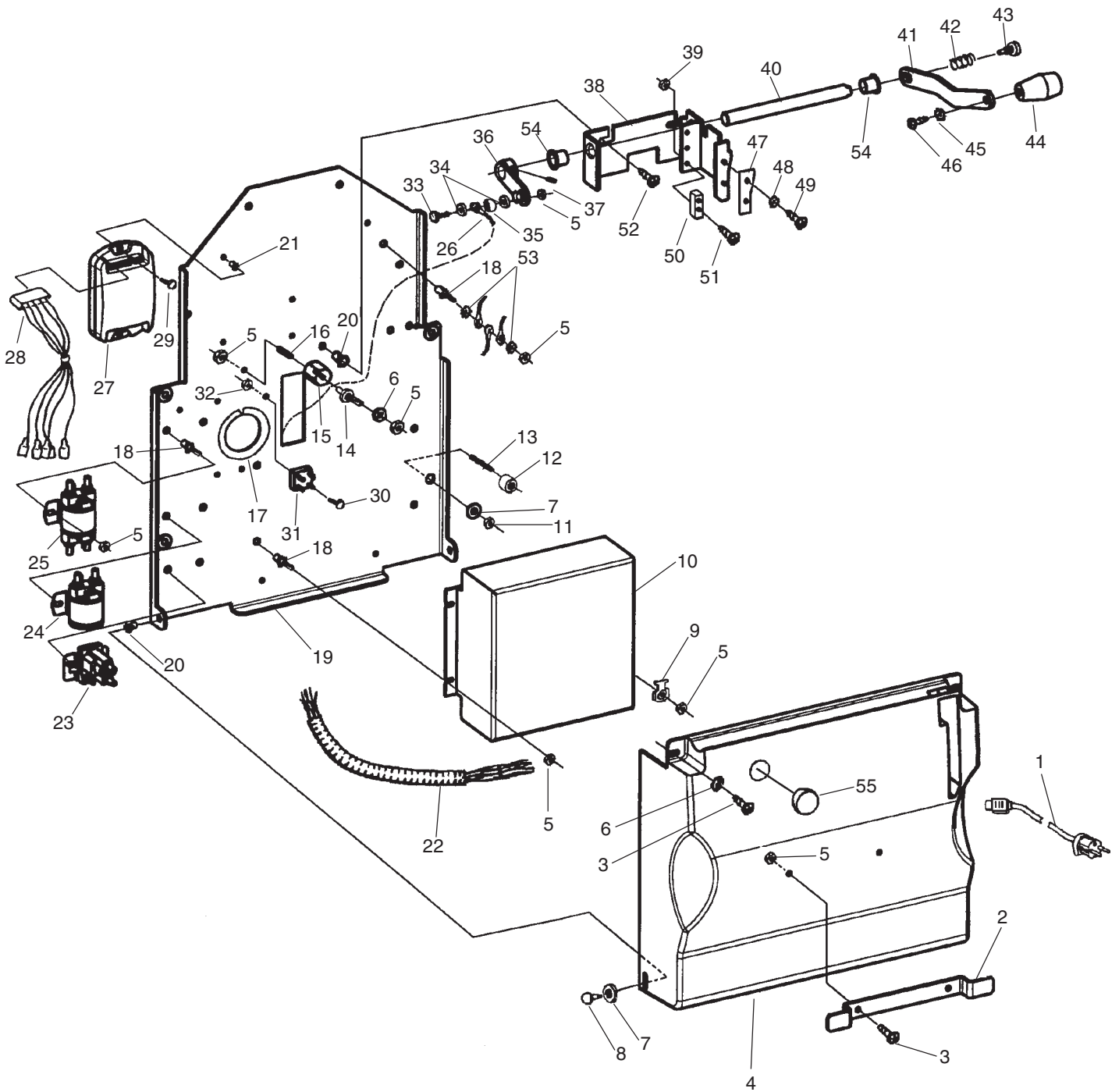


**Clarke®**  
**FOCUS 28/33/38 WB**  
**Recovery Tank Assembly Parts List 11/07**

Ref #	Part No.	Description	Qty
1	962798	Screw, 10-24 x 1/2 PN	1
2	30057A	Recovery Lid	1
3	920296	Nut, 10-24 ESNA	2
4◆	30065B	Gasket, Lid	1
5	38020A	Strap	1
6	962666	Screw, 10-24 x 3/4 PN	1
7	58069A	Vac Filter	1
8	39338A	Stand Tube	1
9	837304	O-Ring	2
10	82100A	Locknut	1
11	41809A	Contact	4
12	43402A	Housing, Blue	2
13	920797	Nut	1
14	643418	Gasket, Vac	1
15	58533A	Vac Motor Spacer	3
16	45019A	Vac Motor (order 2 each #11 and #19)	1
16A	40830A	Brushes, Carbon	2
17	87026A	Washer, 1/4 Flat	3
18	85728A	Screw, 1/4-20 x 4 Hex	3
19	43401A	Housing, Black	2
20	872010	Clamp	3
21	674110	Vac Exhaust Hose	1
22	962957	Screw, 10-16 x 1/2 PN	2
23	52206A	Chain	1
24	30620A	Squeegee Adapter	1
25	35192A	Squeegee Hose	1
26	30227A	Drain Housing	1
27	30226A	Drain Plug	1
28	52560A	O-Ring	1
29	30225A	Drain Body	1
30	832002	Drain Valve Clamp	1
31	35165A	Recovery Drain Hose	1
32	61591A	Recovery Tank Support	1
33	87622A	Washer, Nylon	1
34	80043A	Shoulder Screw	1
35	30068A	Hinge Pin (included with item #36)	2
36	30591A	Recovery Tank	1
37	40002A	Float Switch (includes items, #38 & 2 ea. #11& #12)	1
38	56459A	Strain Relief (included in item #37)	1
39	87612A	Seal	1

**NOTE:** ◆ indicates a change has been made since the last publication of this manual.

Clarke®  
FOCUS S28/S33/S38 WB  
Electrical Panel Assembly Drawing 2/07



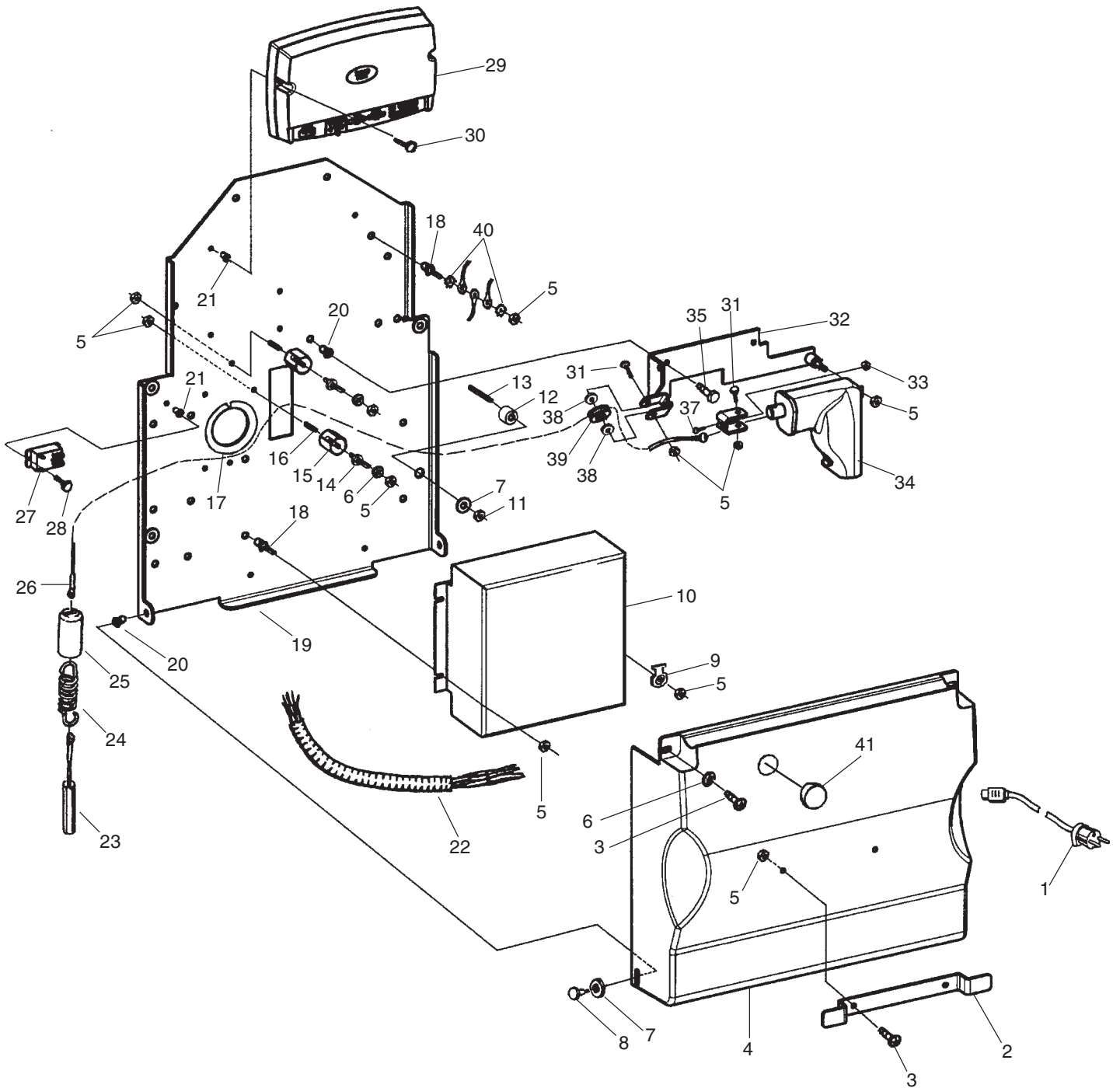


**Clarke®**  
**FOCUS S28/S33/S38 WB**  
**Electrical Panel Assembly Parts List 11/07**

Ref #	Part No.	Description	Qty
1	40740A	Cord, Charger	1
2	61598A	Bracket, Cord Wrap	1
3	85391A	Screw, 1/4-20 x 5/8 PN	4
4	30594A	Rear Cover	1
5	81104A	Nut, ESNA 1/4-20	16
6	87007A	Washer, 1/4 Flat	3
7	980651	Washer, 5/16 Flat	6
8	80030A	Shoulder Bolt	2
9	52548A	Screw Tab	1
10◆	40739B	Charger, Battery	1
11	920110	Nut, ESNA 5/16-18	4
12	53569A	Spacer	4
13	80285A	Screw, Set 5/16-18 x 1 3/4	4
14	83302A	Stud, 1/4-20	1
15	854849	Insulator	1
16	170781	Screw, Set 1/4-20 x 3/4	1
17	193951	Trim, 8"	1
18	83307A	Stud, 1/4-20	11
19	61589A	Electrical Panel	1
20	54764A	Insert, 1/4-20	4
21	54763A	Insert, 8-32	2
22	40736A	Main Wiring Harness, Std.	1
23	40125A	Contactor, Vacuum	1
24	41801A	Contactor, Brush	1
25	41802A	Contactor, Main	1
26	61682A	Cable, Upper	1
27	40735A	Controller, Solo	1
28	40759A	Traverse Harness	1
29	80254A	Screw, 8-32 x 1	2
30	962666	Screw, 10-24 x 3/4	1
31	912287	Rectifier	1
32	920296	Nut, ESNA 10-24	1
33	85700A	Screw, 1/4-20 x 1	1
34	87026A	Washer, 1/4 Flat	2
35	608210	Spacer	1
36	65628A	Lever, Cable	1
37	962304	Screw, Set 5/16-18 x 1/2 (must use red Loctite)	2
38	61584A	Squeegee Lift Bracket	1
39	920056	Nut, ESNA #6-32	2
40	61586A	Shaft	1
41	61585A	Squeegee Lift Lever	1
42	438360	Spring	1
43	960510	Shoulder Screw	1
44	52557A	Squeegee Knob	1
45	980666	Washer, 3/8 External	1
46	85389A	Screw, 3/8-16 x 5/8	1
47	68643A	Wear Plate	1
48	980675	Washer	2
49	962546	Screw, 10-24 x 1/2	2
50	47388A	Switch	1
51	962980	Screw, 6-32 x 1	2
52	962139	Screw, 1/4-20 x 5/8	2
53	980614	Washer, 1/4 External	2
54	902731	Nylon Bearing	2
55	54436A	Plug, Hole 1 3/8	1

NOTE: ◆ indicates a change has been made since the last publication of this manual.

Clarke®  
FOCUS L28/L33/L38 WB  
Electrical Panel Assembly Drawing 2/07

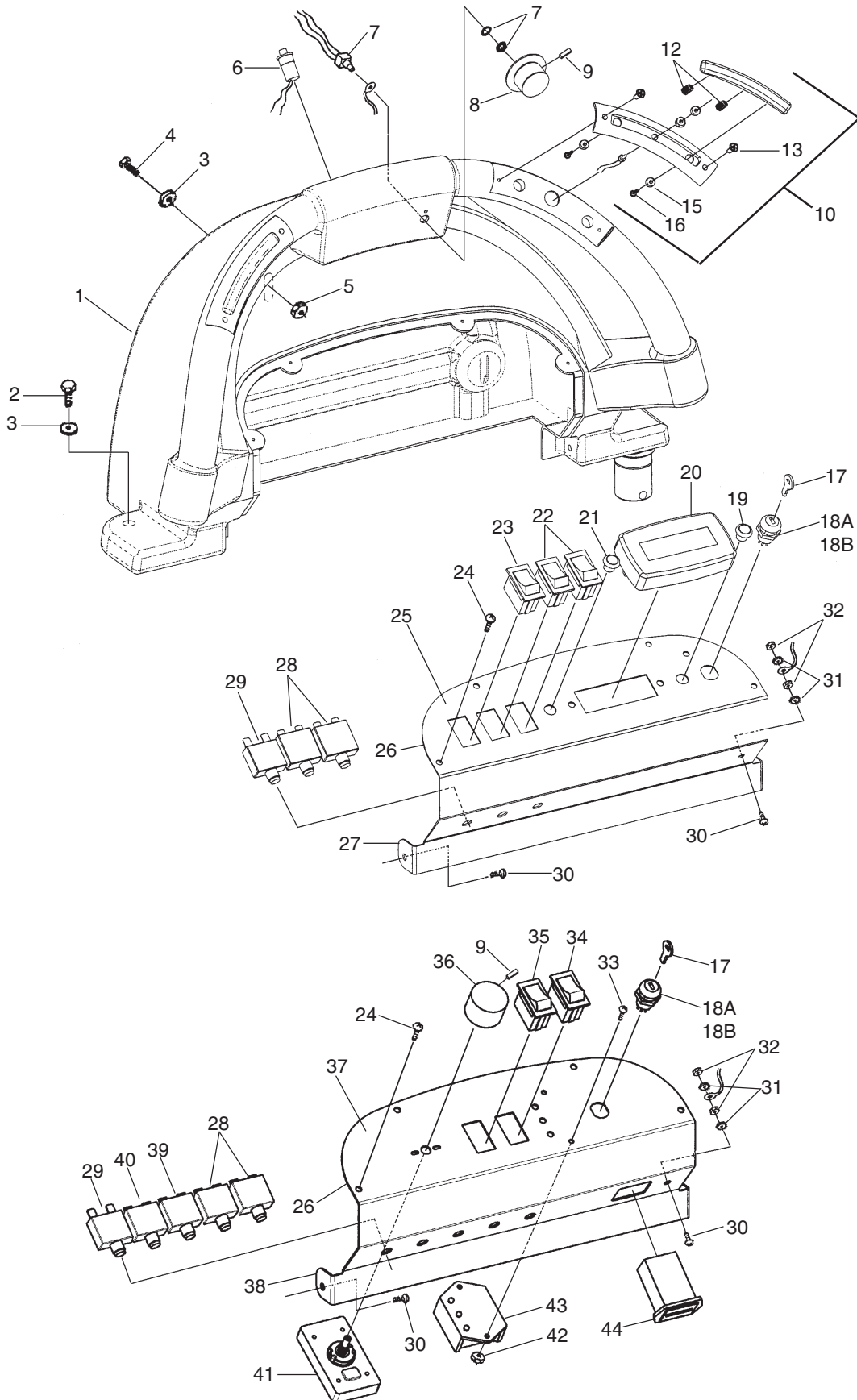


**Clarke®**  
**FOCUS L28/L33/L38 WB**  
**Electrical Panel Assembly Parts List 11/07**

Ref #	Part No.	Description	Qty
1	40740A	Cord, Charger	1
2	61598A	Bracket, Cord Wrap	1
3	85391A	Screw, 1/4-20 x 5/8 PN	4
4	30626A	Rear Cover	1
5	81104A	Nut, ESNA 1/4-20	14
6	87007A	Washer, 1/4 Flat	4
7	980651	Washer, 5/16 Flat	6
8	80030A	Shoulder Bolt	2
9	52548A	Screw Tab	1
10	40739A	Charger, Battery	1
11	920110	Nut, ESNA 5/16-18	4
12	53569A	Spacer	4
13	80285A	Screw, Set 5/16-18 x 1 3/4	4
14	83302A	Stud, 1/4-20	2
15	854849	Insulator	2
16	170781	Screw, Set 1/4-20 x 3/4	2
17	193951	Trim, 8"	1
18	83307A	Stud, 1/4-20	5
19	61589A	Electrical Panel	1
20	54764A	Insert, 1/4-20	4
21	54763A	Insert, 8-32	4
22	40742A	Main Wiring Harness, Dlx	1
23	61680A	Cable, Spring	1
24	53424A	Spring, Cable	1
25	58409A	Sleeve, Spring	1
26	61681A	Cable, Upper	1
27	40892A	Relay, DPDT	1
28	85614A	Screw, 8-32 x 3/4	2
29◆	40743B	Controller, Trio	1
30	80105A	Screw, 8-32 x 1 1/4	2
31	86004A	Screw, 1/4-20 x 1 1/2	2
32	61595A	Bracket, Actuator	1
33	920296	Nut	1
34	40745A	Actuator, Squeegee	1
35	962139	Screw, 1/4-20 x 5/8 Hex	2
36	69872A	Bracket, Pulley	1
37	962798	Screw	1
38	87624A	Washer, Pulley	2
39	57275A	Pulley	1
40	980614	Washer, 1/4 External Lk	2
41	54436A	Plug, Hole 1 3/8	1

NOTE: ◆ indicates a change has been made since the last publication of this manual.

**Clarke®**  
**FOCUS 28/33/38 WB**  
**Control Panel Assembly Drawing 9/07**



**Clarke®**  
**FOCUS 28/33/38 WB**  
**Control Panel Assembly Parts List 9/07**

Ref. #	Part No.	Description	Qty "L"	Qty "S"
1	30592A	Control Handle	1	1
2	85815A	Screw, 5/16-18 x 1 1/2	2	2
3	980205	Washer, 5/16 Flat	6	6
4	85813A	Screw, 5/16-18 X 1	4	4
5	920110	Nut, LK 5/16-18	4	4
6	52556A	Reverse Switch	1	1
7	40750A	Traverse Potentiometer "L"	1	-
	40738A	Traverse Potentiometer "S"	-	1
8	50962A	Knob, Traverse	1	1
9	962262	Screw, Set 8-32 x 1/2 (included w/# 8 & 36)	2	4
10	11131A	Switch Asm.	2	2
12	50961A	Spring, Switch	4	4
13	80104A	Screw, 10-32 x 1/2 Oval	4	4
15	980608	Washer, #6 Flat	4	4
16	962330	Screw, 6-32 x 3/8 Pan	4	4
17	*see table	Key (included w/ # 18)	1	1
18A	40883A	Switch, Key (*see table below)	1	1
18B	40786A	Switch, Key (*see table below)	1	1
19	40748A	Switch, Green Push Button	1	-
20	40880A	LCD Display	1	-
21	40758A	Switch, Black Push Button	1	-
22	40168B	Switch, Momentary Rocker	2	-
23	40747A	Switch, 3 Position Rocker	1	-
24	962957	Screw, 10-16 x 1/2	4	4
25	*see table	Label, Control	1	-
26	34264A	Gasket	1	1
27	*see table	Panel, Control "L"	1	-
28	41431B	Circuit Breaker, 35A	2	2
29	41423B	Circuit Breaker, 5A	1	1
30	85391A	Screw, 1/4-20 x 5/8	3	3
31	980614	Washer, 1/4 External	2	2
32	920208	Nut, 1/4-20	2	2
33	962968	Screw, 10-24 x 1/2	-	2
34	40749A	Switch, Momentary Rocker	-	1
35	47381B	Switch, Mantain Rocker	-	1
36	55502A	Knob, Control	-	1
37	*see table	Label, Control	-	1
38	*see table	Panel, Control	-	1
39	41448B	Circuit, Breaker, 30A	-	1
40	41422B	Circuit, Breaker, 25A	-	1
41	44308B	Solution Modulator	-	1
42	920296	Nut, Lk 10-24	-	2
43	40898A	Meter, Battery/Charger	-	1
44	912226	Meter, Hour	-	1

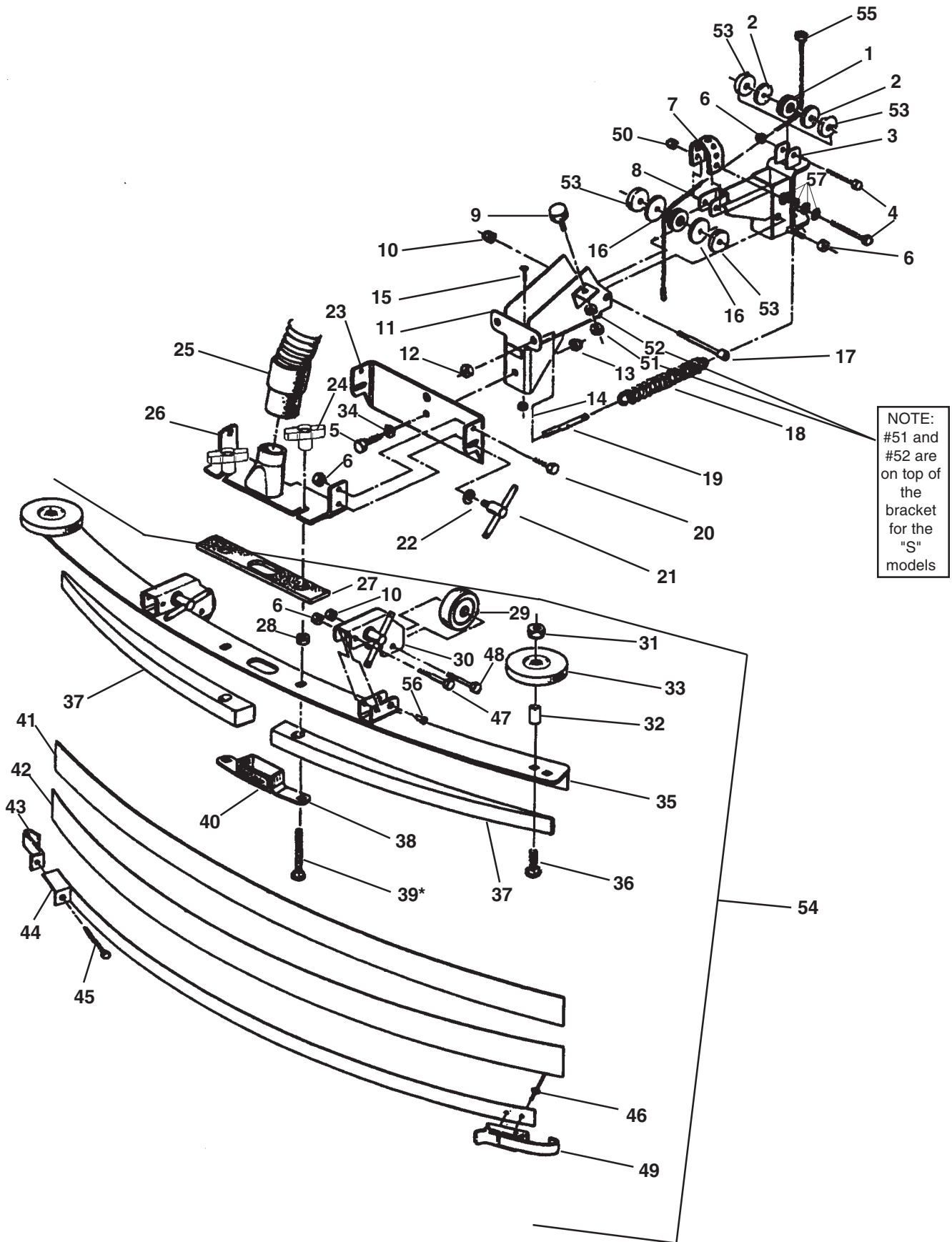
\* Parts for Key Switch 40883A

Ref. #	Part No.	Description	"L"	"S"
17	53831A	Key (included with #18A)	x	x
18A	40883A	Switch, Key	x	x
25	70885A	Label, Control	x	-
27	61597A	Panel, Control	x	-
37	70852A	Label, Control	-	x
38	61588A	Panel, Control	-	x

\* Parts for Key Switch 40786A

Ref. #	Part No.	Description	"L"	"S"
17	40786K	Key (included with #18B)	x	x
18B	40786A	Switch, Key	x	x
25	70962A	Label, Control	x	-
27	61739A	Panel, Control	x	-
37	70961A	Label, Control	-	x
38	61720A	Panel, Control	-	x
NI	40786S	Spacer, Key Switch	1	1

Clarke®  
**FOCUS 28/33/38 WB**  
 Squeegee Swing Arm Assembly Drawing 11/07



NOTE:  
 #51 and  
 #52 are  
 on top of  
 the  
 bracket  
 for the  
 "S"  
 models

**Clarke®**  
**FOCUS 28/33/38 WB**  
**Squeegee Swing Arm Assembly Parts List 11/07**

Ref #	Part No.	Description	Qty	Model
1	57275A	Pulley	2	All
2	87623A	Washer, Nylon 1¼x¼x1/8	2	All
3	60452A	Swing Arm, Front	1	All
4	86004A	Screw, .25-20 x 1½	2	All
5	85730A	Screw, .375-16 x 1¼	1	All
6	81104A	Nut, Hex ESNA SS	6	All
7	38021A	Strap	1	All
8	61679A	Cable, Lower	1	All
9	51613A	Bumper	1	All
10	920110	Nut, ESNA	3	All
11	60332A	Swing Arm, Rear	1	All
12	920256	Nut, Hex	2	All
13	81105A	Nut, ESNA SS	1	All
14	920296	Nut, 10-24 ESNA SS	1	All
15	962798	Screw, 10-24 x .50	1	All
16	87624A	Washer, Nylon 1½x¼x1/8	2	All
17	80015A	Screw, Shoulder	1	All
18	53423A	Spring, Squ. Pressure	2	All
19	68016A	Stud	2	All
20	170915	Screw, SS Hex	2	All
21	64905A	T Handle	3	All
22	980651	Washer, Flat .312	1	All
23	60678C	Pivot Bracket	1	All
24◆	25201B	Knob	2	All
25	35192A	Hose, Squeegee Rec.	1	All
26	61267A	Tube Bracket	1	All
27	34260B	Squeegee Gasket	1	All
28	81301A	Nut, Jam SS	2	All
29	59971A	Wheel	2	All
30	65975A	Wheel Mount Bracket	2	All
31	81217A	Nut, 1/4-20 ESNA	2	All
32	60248A	Sleeve	2	All
33	30048A	Guide Wheel	2	All
34	87031A	Washer, 3/8 Flat	1	All

**NOTE:** When changing squeegee blades, it might be necessary to loosen screw #39; install and secure blades with clamp #44; then retighten screw #39. This will allow for different thickness.

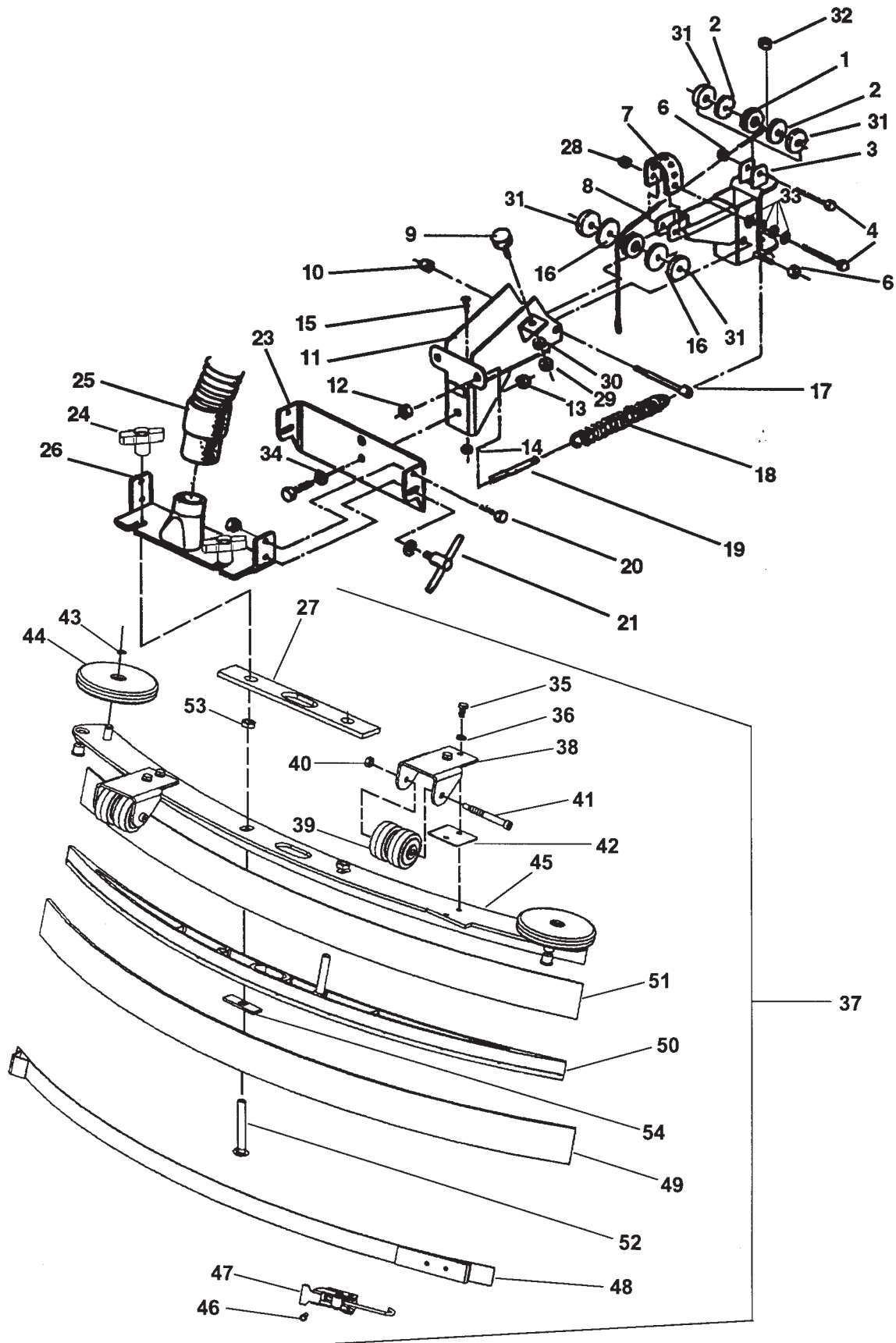
+ = Optional parts for non-standard, adjustable squeegee assemblies on Focus 28 and 33 models. See next page for standard squeegee assemblies.

**NOTE:** ◆ indicates a change has been made since the last publication of this manual.

Ref #	Part No.	Description	Qty	Model
35	69673A	Squeegee Base	1	28 +
	69674A	Squeegee Base	1	33 +
	69675A	Squeegee Base	1	38
	69636A	Squeegee Base, 29" acc.	1	28 +
36	80316A	Screw, ¼-20 x 1 Flat SS	2	All
37	38710A	Spacer	2	28 +
	38711A	Spacer	2	33 +
	38715A	Spacer	2	38
	38713A	Spacer, 29" accessory	2	28 +
38	62712A	Air Duct	1	All
39	80011A	Screw, .375-16 x 3.00	2	All
40	37016A	Grip Pad	1	All
41*	30716L1	Blade, Inner Linatex	1	28 +
	30717L2	Blade, Inner Linatex	1	33 +
	30718L2	Blade, Inner Linatex	1	38
	30763L1	Blade, Inner Linatex 29"	1	28 +
42*	30912L	Blade, Outer Linatex	1	28 +
	30913L	Blade, Outer Linatex	1	33 +
	30935L	Blade, Outer Linatex	1	38
	30931L	Bade, Outer Linatex 29"	1	28 +
43	62421A	End Clamp	1	All
44	62442A	Clamp, Weld	1	28 +
	62443A	Clamp, Weld	1	33 +
	62444A	Clamp, Weld	1	38
	62441A	Clamp, Weld 29" acc.	1	28 +
45	86004A	Screw, .25-20 x 1.50 Hex	1	All
46	170932	Rivet	2	All
47	85702A	Screw, .25-20 x 1.75	2	All
48	85816A	Screw, .312-18 x 1.75	2	All
49	55722A	Squeegee Strap Latch	1	All
50	81217A	Nut, ½-20	1	All
51	920208	Nut, Hex ¼-20	1	All
52	980657	Washer, ¼ Lock	1	All
53	87625A	Washer, Nylon 1¼x¼x1/32	4	All
54	18815KL	Asm., Squeegee	1	28 +
	18816KL	Asm., Squeegee	1	33 +
	18817KL	Asm., Squeegee	1	38
	18818L	Asm., Squeegee*	1	28 +
55	81303A	Nut, ¼-28	1	All
56	54766A	Insert, Threaded 5/16-24	2	All
57	87026A	Washer	4	All

\* See accessory page

Clarke®  
**FOCUS 28/33 WB**  
 Standard Squeegee Swing Arm Assembly Drawing 11/07  
 Form # 10847A





**Clarke®**  
**FOCUS 28/33 WB**  
**Standard Squeegee Swing Arm Assembly Parts List 11/07**  
**Form # 10847A**

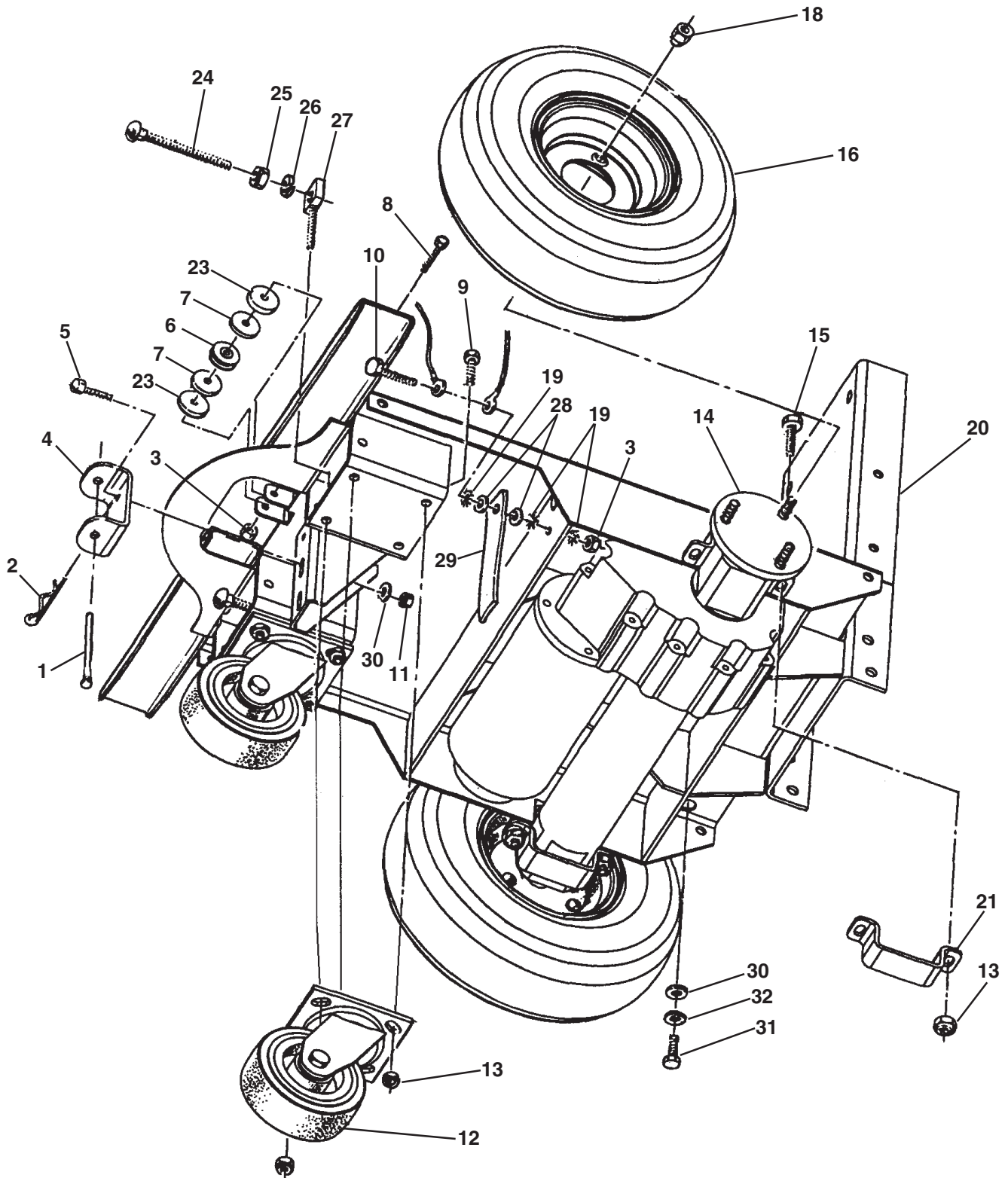
Ref #	Part No.	Description	Qty
1	57275A	Pulley	2
2	87623A	Washer, Nylon 1¼x¼x1/8	2
3	60452A	Swing Arm, Front	1
4	86004A	Screw, .25-20 x 1½	2
5	85730A	Screw, .375-16 x 1¼	1
6	81104A	Nut, Hex ESNA SS	4
7	38021A	Strap	1
8	61679A	Cable, Lower	1
9	51613A	Bumper	1
10	920110	Nut, ESNA	1
11	60332A	Swing Arm, Rear	1
12	920256	Nut, Hex	2
13	81105A	Nut, ESNA SS	1
14	920296	Nut, 10-24 ESNA SS	1
15	962798	Screw, 10-24 x .50	1
16	87624A	Washer, Nylon 1½x¼x1/8	2
17	80015A	Screw, Shoulder	1
18	53423A	Spring, Squ. Pressure	2
19	68016A	Stud	2
20	170915	Screw, SS Hex	2
21	64905A	T Handle	3
22	980651	Washer, Flat .312	1
23	60678C	Pivot Bracket	1
24◆	25201B	Knob	2
25	35192A	Hose, Squeegee Rec.	1
26	61267A	Tube Bracket	1
27	34260B	Squeegee Gasket	1

Ref #	Part No.	Description	Qty
28	81217A	Nut, ½-20	1
29	920208	Nut, Hex ¼-20	1
30	980657	Washer, ¼ Lock	1
31	87625A	Washer, Nylon 1¼x¼x1/32	4
32	81303A	Nut, ¼-28	1
33	87026A	Washer	4
34	87031A	Washer, 3/8 Flat	1
35	962720	Screw, ¼ -20 x ½ Hex	4
36	980657	Washer, ¼ Lock	4
37	10803KL	Squeegee Asm.	N/A
38	60243A	Bracket, Sq. Wheel	2
39	30049B	Wheel, Squeegee	4
40	81104A	Nut, ¼ -20	2
41	60254A	Bolt, Shoulder 5/16 x 2 ¼	2
42	60358A	Shim, Squeegee Wheel	2
43	53185A	Ring, 3/8 ID Snap	2
44	30048A	Wheel, Gide 4" Diam.	2
45	60272B	Channel, Sq. Weldment	1
46	930086	Rivet, 3/16 x .450 Alum.	2
47	50835A	Latch, Sq. Clamp	1
48	60252A	Strap, Clamp Sq. Ret.	1
49	30557L	Blade, Rear Linatex	1
50	30058A	Spacer, Squeegee	1
51	30717L1	Blade, Front Linatex	1
52	80011A	Screw, 3/8-16 x 3	2
53	81301A	Nut, 3/8-16 Jam SS	2
54	80280A	Nut, Squeegee, Backup	2

**NOTE:** When changing squeegee blades, it might be necessary to loosen screw #52; install and secure blades with clamp #47; then retighten screw #52. This will allow for different thickness.

**NOTE:** ◆ indicates a change has been made since the last publication of this manual.

Clarke®  
FOCUS 28/33/38 WB  
Traverse System Assembly Drawing 11/04

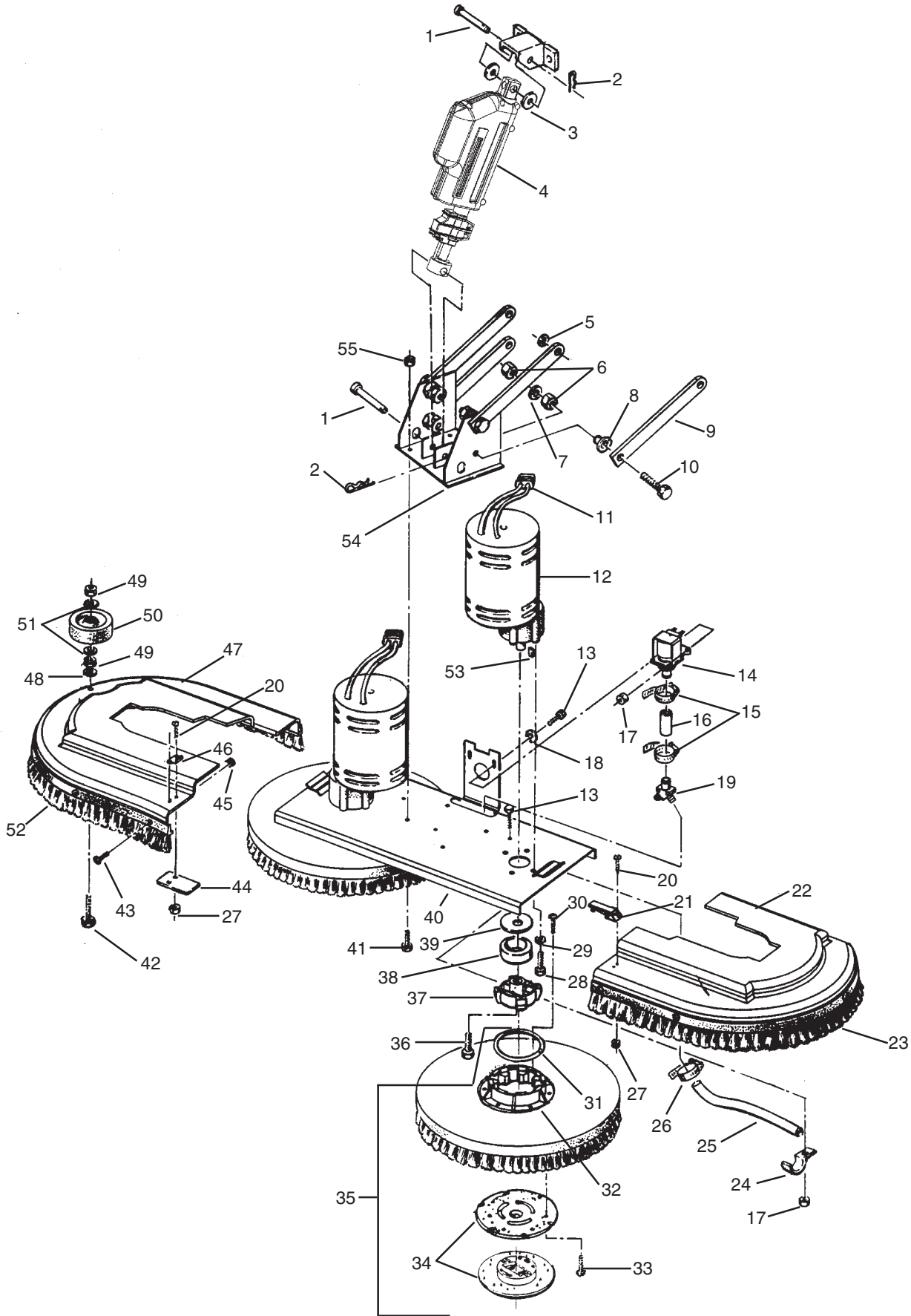


**Clarke®**  
**FOCUS 28/33/38 WB**  
**Traverse System Assembly Parts List 11/04**

Ref #	Part No.	Description	Qty	Model
1	66531A	Swing Arm Pin	1	All
2	836711	Hair Pin	1	All
3	81104A	Nut, .25-20 ESNA	2	All
4	69877A	Swing Bracket	1	All
5	85811A	Screw, .312-18 x .75	2	All
6	57275A	Cable Pulley	1	All
7	87623A	Washer, Nylon 1¼x¼IDx.120	2	All
8	86004A	Screw, .25-20 x 1.50	1	All
9	962288	Screw, .375-16 x 1	6	All
10	85700A	Screw, .25-20 x 1	1	All
11	920110	Nut, .312-16 ESNA	2	All
12	899769	Caster Assembly	2	All
13	81105A	Nut, .375-16 ESNA	12	All
14	59116A	Transaxle, Imperial (see page 95 for parts)	1	All
15	85730A	Screw, Hex	4	All
16	59969A	Wheel Assembly*	2	All
	59955A	Wheel, Foam Filled (opt.)	2	All
18	81221A	Lug Nut, 50-20 UNF	6	All
19	980614	Washer, Star Lock .25	3	All
20	61594A	Main Frame	1	All
21	65963A	Transaxle Mount	2	All
23	87625A	Washer, Nylon 1¼x¼IDx3/32	2	All
24	80011A	Screw, ⅜-16 x 3	2	All
25	81207A	Nut, ⅜-16	2	All
26	170883	Washer, Lock ⅜	2	All
27	58419A	Stud, ⅜M x ⅜F	2	All
28	980205	Washer, .25 Fender	2	All
29	69639A	Strap, Static	1	All
30	980645	Washer, Flat ⅜	6	All
31	962244	Screw, ⅜-16 x ¾	4	All
32	980638	Lockwasher ⅜	4	All

\*30039A tube, inner (included in item #16) 1 Ref.

Clarke®  
**FOCUS 28/33/38 WB**  
 Brush Head Assembly Drawing 11/04



**Clarke®**  
**FOCUS 28/33/38 WB**  
**Brush Head Assembly Parts List 11/07**

Ref #	Part No.	Description	Qty	Model
1	82501A	Pin	2	All
2	766780	Hair Pin	2	All
3	38723A	Nylon Spacer	2	All
4	52497A	Actuator & Tube Asm.	1	S series
	52499A	Actuator & Tube Asm.	1	L series
5*	980673	Washer	4	All
6	920278	Nut, Jam 50-20	16	All
7	980626	Washer, Lock .50	8	All
8	67705B	Sleeve Bearing	8	All
9	63032A	Linkage Bar	4	All
10	85838A	Screw, .50-201.50	8	All
11	41601A	Connector	4	All
	41602A	Housing	4	All
12***	45036B	Brush Motor 1.00 HP	2	All
13	170915	Screw, Hex	4	All
14	48703A	Electric Valve	1	All
15	50248A	Hose Clamp	2	All
16	30455A	Hose	1	All
17	81104A	Nut, .25-20 ESNA	5	All
18	87007A	Washer, Flat .25	2	All
19	38014A	Solution Splitter	1	All
20	962992	Screw, 8-32x.62 SS	4	All
21	55721A	Latch	1	All
22	30574A	Left Brush Housing	1	28
	30583A	Left Brush Housing	1	33
	30355A	Left Brush Housing	1	38
23	38246A	Left Skirt	1	38
24	782002	Clamp	2	All
25	30453A	Brush Hose	2	All
26	722021	Hose Clamp	2	All
27	81109A	Nut, 8-32 ESNA SS	4	All
28	962244	Screw, .375-16x.75	8	All
29	980638	Washer, Lock .375	8	All
30	962495	Screw, .25-20x1.00Pn Hd	6	All
31	838301	Brush Holder Spring	2	All
32	833802	Gimbal, Female	2	All
33	962737	Screw, 10-16x.88 (Pad Driver Only)	6	All

Ref #	Part No.	Description	Qty	Model
34	56941A	Center-Lock Asm. (Pad Driver Only)	2	All
35	11427B	Poly Brush Assembly-14	2	28
	11424B	Poly Brush Assembly-17	2	33
	11434B	Poly Brush Assembly-19	2	38
	11426B	Grit Brush Assembly-14	2	28
	11425B	Grit Brush Assembly-17	2	33
	11433B	Grit Brush Assembly-19	2	38
	17521C	Pad Driver Assembly-14	2	28
	17520C	Pad Driver Assembly-17	2	33
	17524B	Pad Driver Assembly-19	2	38
36	962714	Screw, .312-18x.75 Soc.	2	All
37	34400B	Gimbal, Male	2	All
38	61658A	Gimbal Collar	2	All
39	59856A	Rubber Washer	2	All
40	66232A	Brush Plate-28	1	28
	61587A	Brush Plate-33	1	33
	66234A	Brush Plate-38	1	38
41	85811A	Screw, .312-18x.75 Hex	4	All
42	85610A	Screw, .375-16x2.5 SS Pn	1	All
43	85616A	Screw, 10-22x.62 Pn SS	11	38
44	69186A	Latch Tab	1	All
45	82004A	"T" Nut 10-32	12	38
46	55451A	Keeper	1	All
47	30575A	Right Brush Housing	1	28
	30584A	Right Brush Housing	1	33
	30247A	Right Brush Housing	1	38
48	980638	Lockwasher	1	All
49	920248	Nut, .375-16 Jam Thin ESNA	2	All
50	59950A	Guide Wheel	1	All
51	980645	Washer, Flat .375	2	All
52	38247A	Right Skirt	1	38
53	915102	Key	2	All
54	65966A	Brush Head Mount	1	All
55	920110	Nut, .312-18 ESNA	6	All
NI◆	40910A	Potentiometer, Cir. Board (for part #52499A)	1	L series
NI◆	40866A	Housing Potentiometer (for part #52499A)	1	L series
**NI	77091A	Label, Moving Parts	2	All

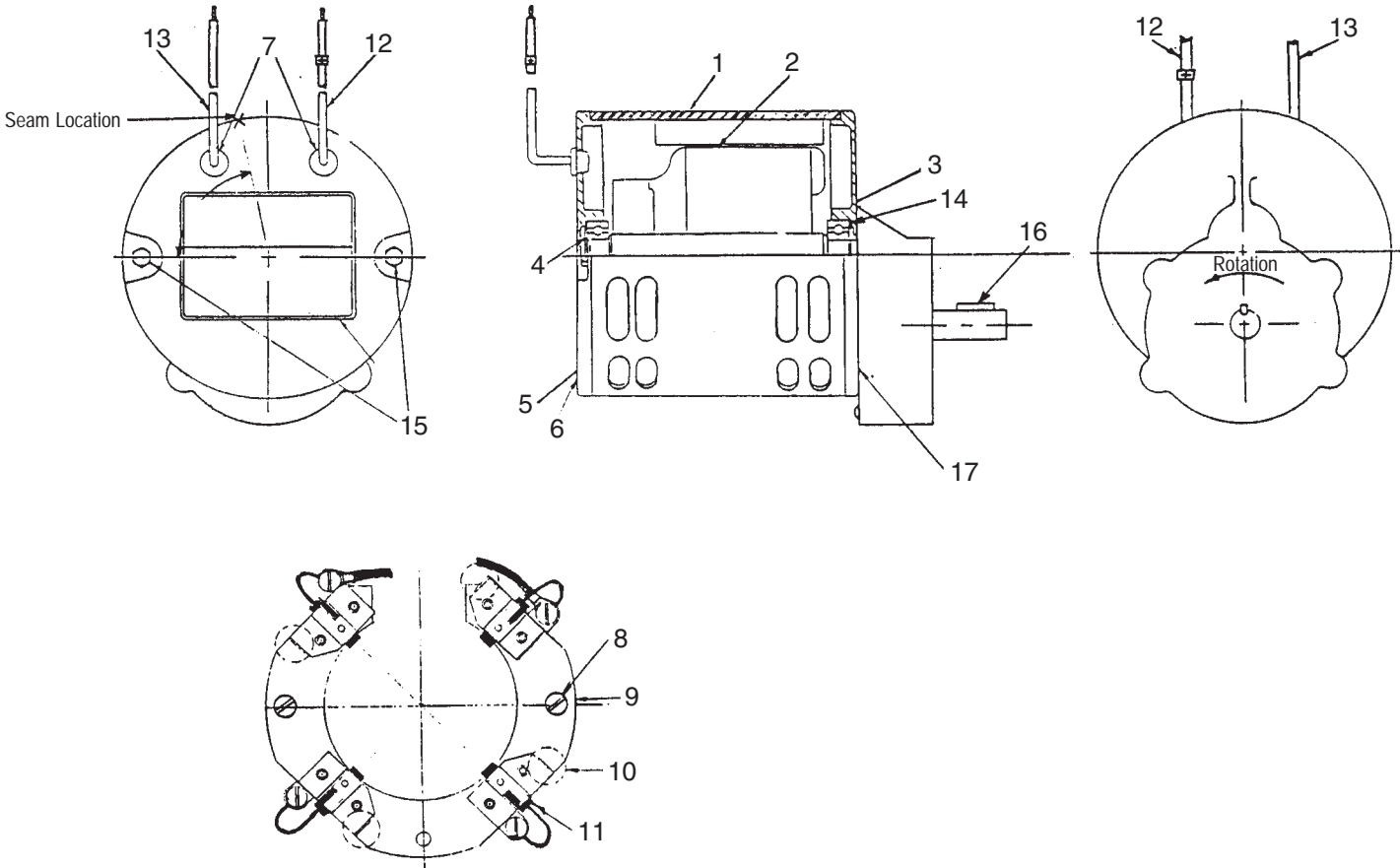
\*Used only as required to square up linkage bars #9 to the frame.

\*\*Attach to Brush Motor.

\*\*\*Includes Item #11

**NOTE:** ◆ indicates a change has been made since the last publication of this manual.

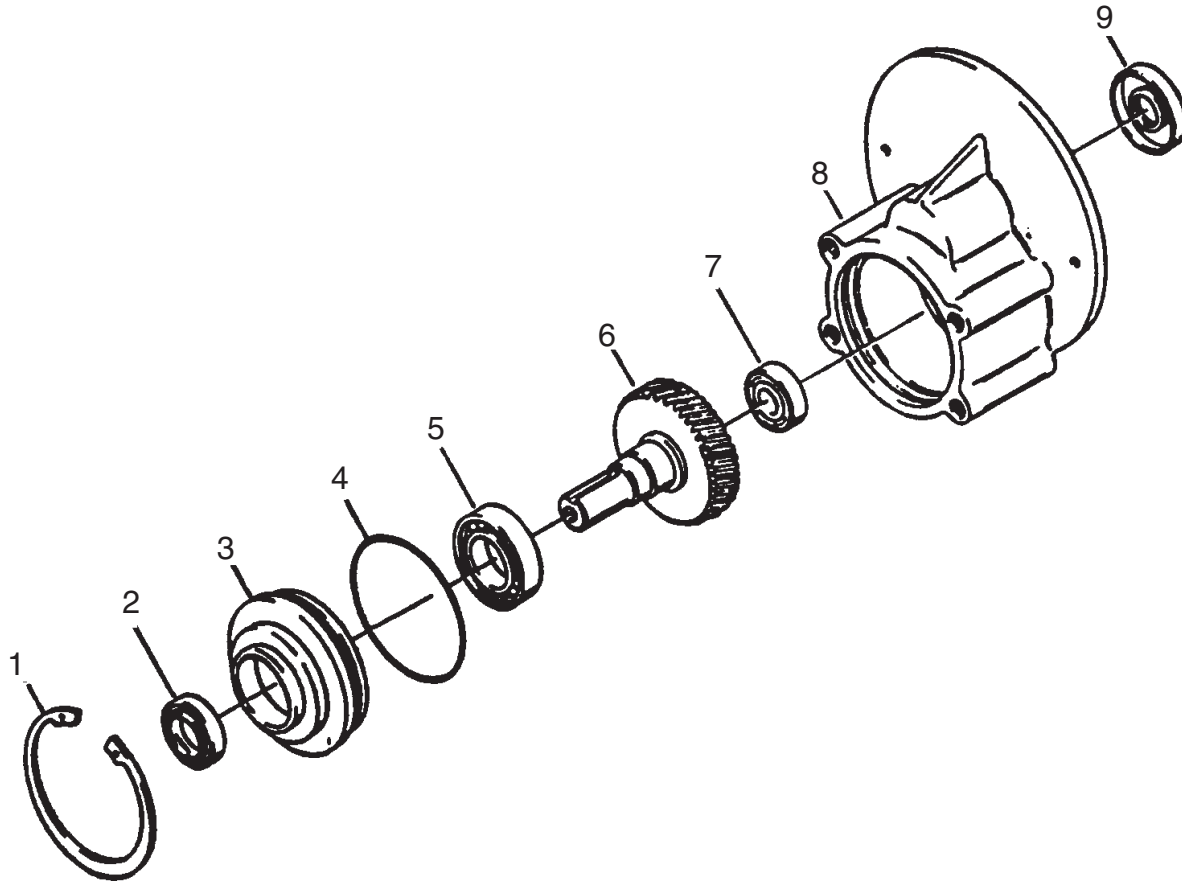
Clarke®  
FOCUS 28/33/38 WB  
Brush Motor #45036A 11/04



**Clarke®**  
**FOCUS 28/33/38 WB**  
**Brush Motor #45036A 11/04**

<b>Ref #</b>	<b>Part No.</b>	<b>Description</b>	<b>Qty</b>
1	46734A	Stator Assembly (w/Magnets & Clips)	1
2	40318A	Armature Asm.(w/B.E. & F.E. bearings)	1
3	902654	Bearings B.E.	1
4	902550	Bearing F.E.	1
5	51840A	Commutator Bracket Assembly (w/Brush BRD Assembly Leads)	1
6	50520A	Commutator Bracket	1
7	56480A	Strain Relief	2
8	962546	Brush Board Screw	2
9	50517A	Brush Board Asm. (w/springs & brushes)	1
10	448396	Brush Spring	4
11	40826A	Brush Assembly	4
12	55657A	Lead Assembly, Positive	1
13	55656A	Lead Assembly, Negative	1
14	59805A	Helical Washer	1
15	50515A	Thru Bolt	2
16	80501A	Shaft Key	1
17	54238A	B.E. Bracket Assembly (Gear Box)	1

Clarke®  
**FOCUS 28/33/38 WB**  
**Gear Box #54238A 11/04**



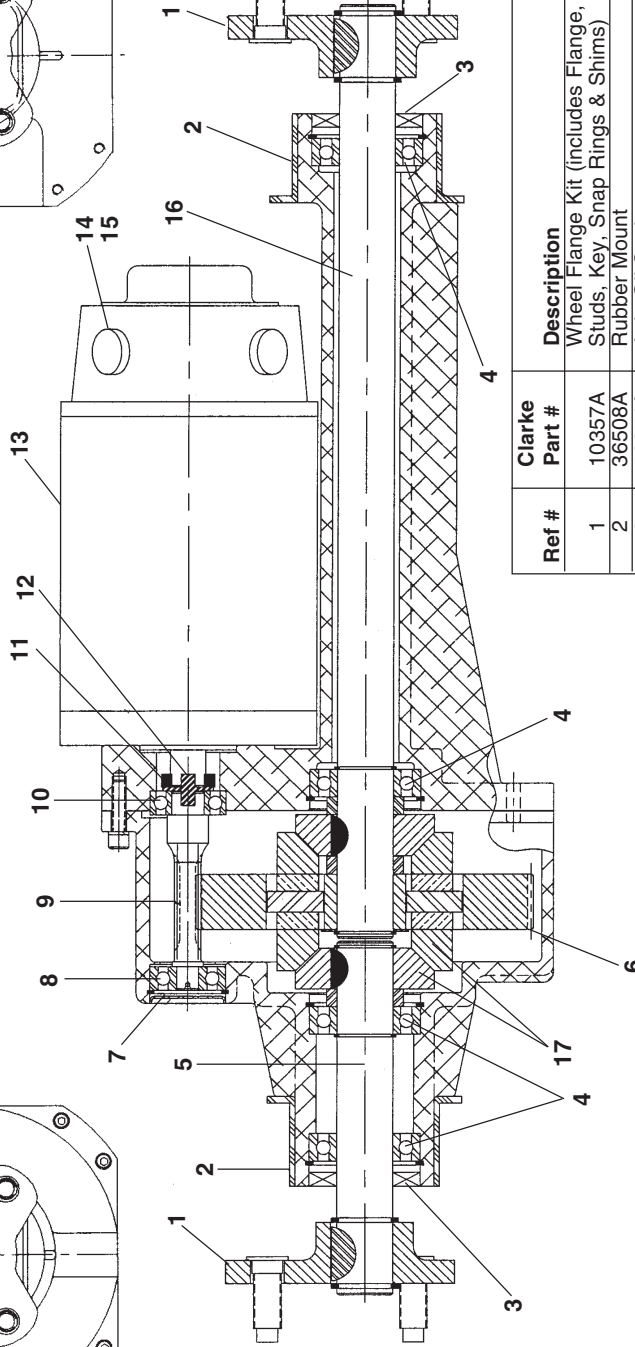
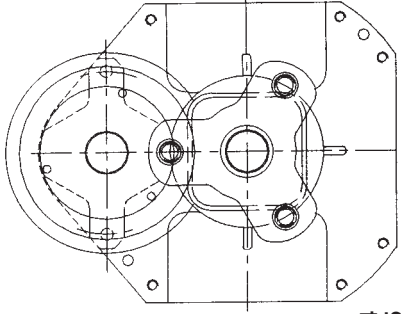
Ref #	Part No.	Description	Qty
1	57846A	Ring, Snap	1
2	507641	Seal, Oil, Small	1
3	52050A	Cap End	1
4	56668A	O'Ring	1
5	51176A	Bearing, Large	1
6	58316A	Shaft & Gear, Gearbox	1
7	902605	Bearing, Small	1
8	54883A	Housing	1
9	58144A	Seal, Oil Large	1
NI		Darina Grease	4oz.



**Clarke®**  
**FOCUS 28/33/38 WB**  
**Imperial Transaxle Parts 11/04**  
**PN 59116A**

**1** To replace coupler remove these two screws (Black) to separate the motor from gearbox to allow access to coupler

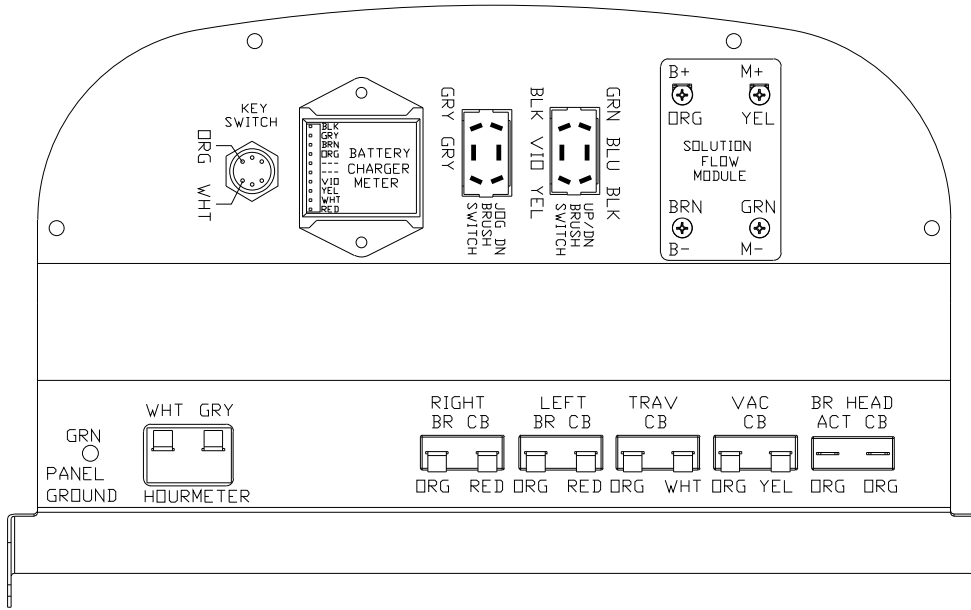
PERMANENT MAGNET MOTOR MFG. IN USA	
Model	4BC-2800
RPM	1200
Volt	36 VDC
AMP.	15
Duty	Cont
Date	
HP	.50
Ins. Cl.	F
Mount	Flange
Shaft	Tang
Ser. No.	
16:1 Ratio	



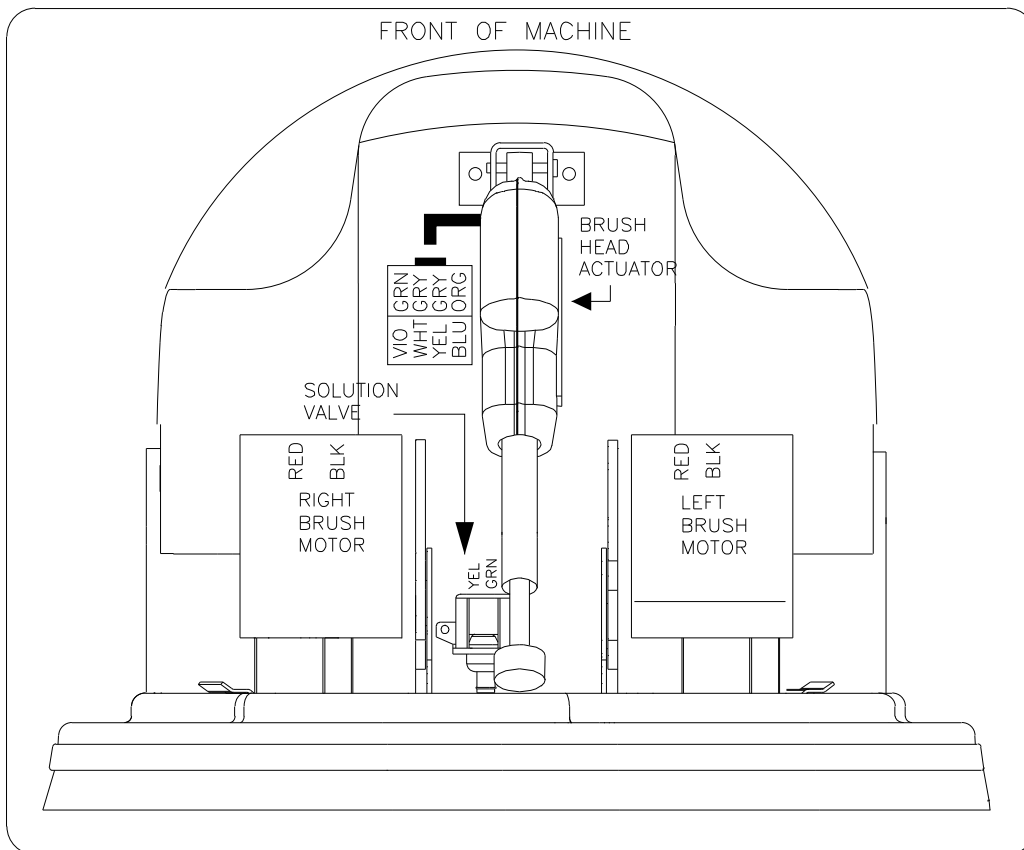
Ref #	Clarke Part #	Description	Qty
1	10357A	Wheel Flange Kit (includes Flange, Studs, Key, Snap Rings & Shimms)	2
2	36508A	Rubber Mount	2
3	53374A	Axle Oil Seal	2
4	53375A	Axle Bearing	4
5	53376A	Short Axle	1
6	53377A	Output Gear	1
7	53378A	Input Plug	1
8	53379A	Outer Pinion Bearing	1
9	53380A	Pinion	1
10	53381A	Inner Pinion Bearing	1
11	52663A	Steel Ring, Coupler	1
12	69195A	Rubber Coupler	1
13	45048A	Motor	1
14	51720A	Brushes w/Springs (Set of 4)	1
15	30074A	Motor Brush Cap (internal Threads)	4
	53382A	Motor Brush Cap (External Threads)	4
16	53383A	Long Axle	1
	54282A	Gearbox Asm w/o motor	1
17	53435A	Miter Gear	4

Parking Brake Spare Parts		
Part No.	Description	Qty
53384A	Pad, Friction	1
53385A	Hub, Shaft	1
80121A	Key, 4 MM - Hub	1
80122A	Set Screw, M3 - Hub	1

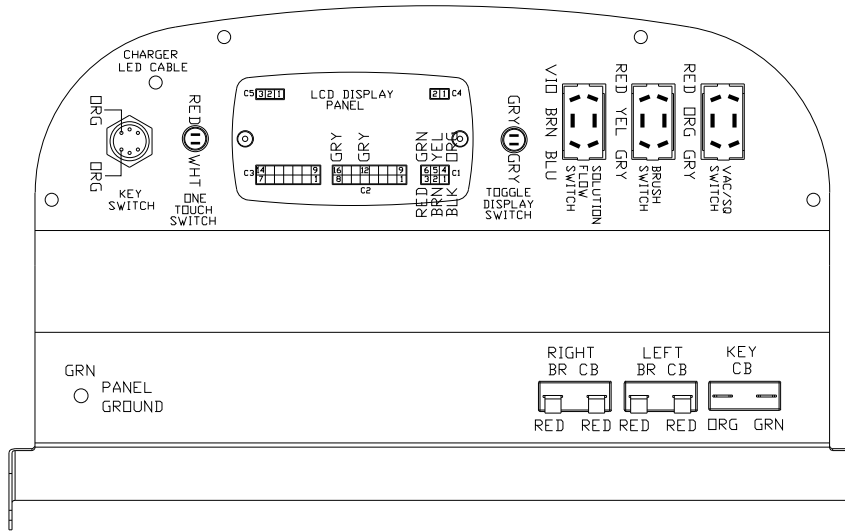
**Clarke®**  
**FOCUS S28/S33/S38 WB**  
**Control Panel Connection Diagram 11/04**



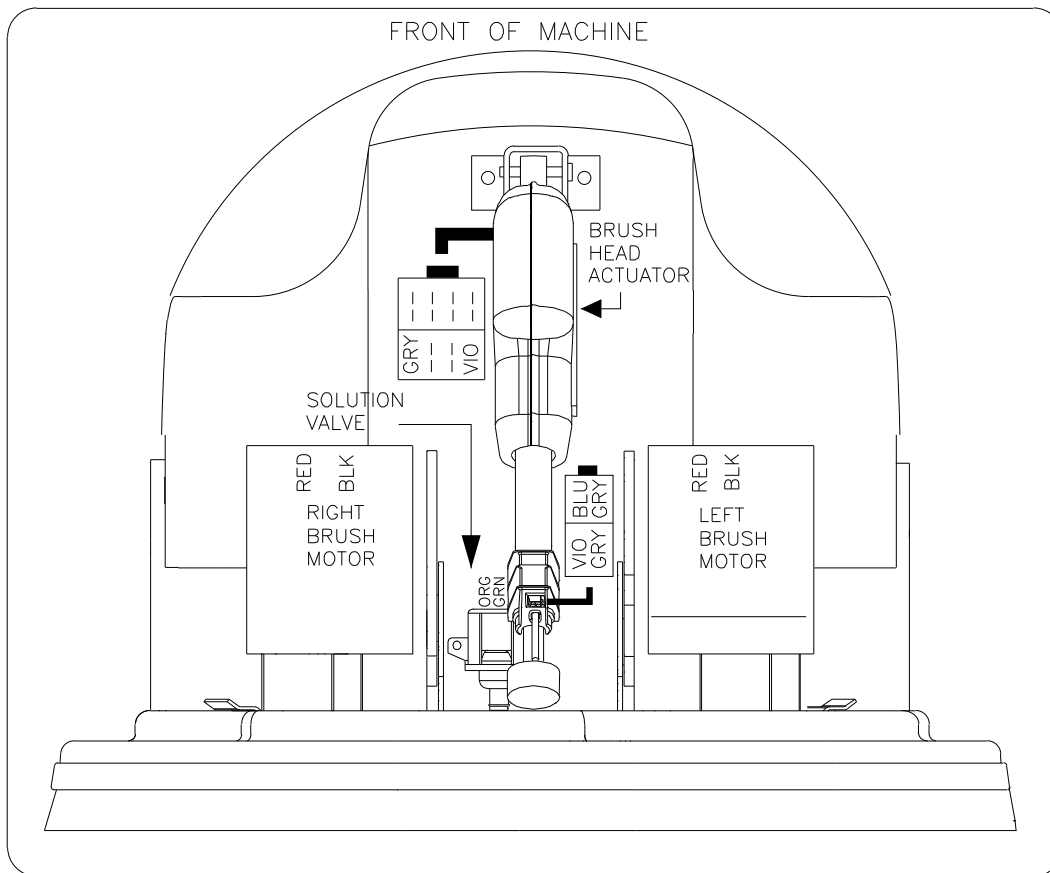
**Clarke®**  
**FOCUS S28/S33/S38 WB**  
**(Front of Machine) Connection Diagram 11/04**



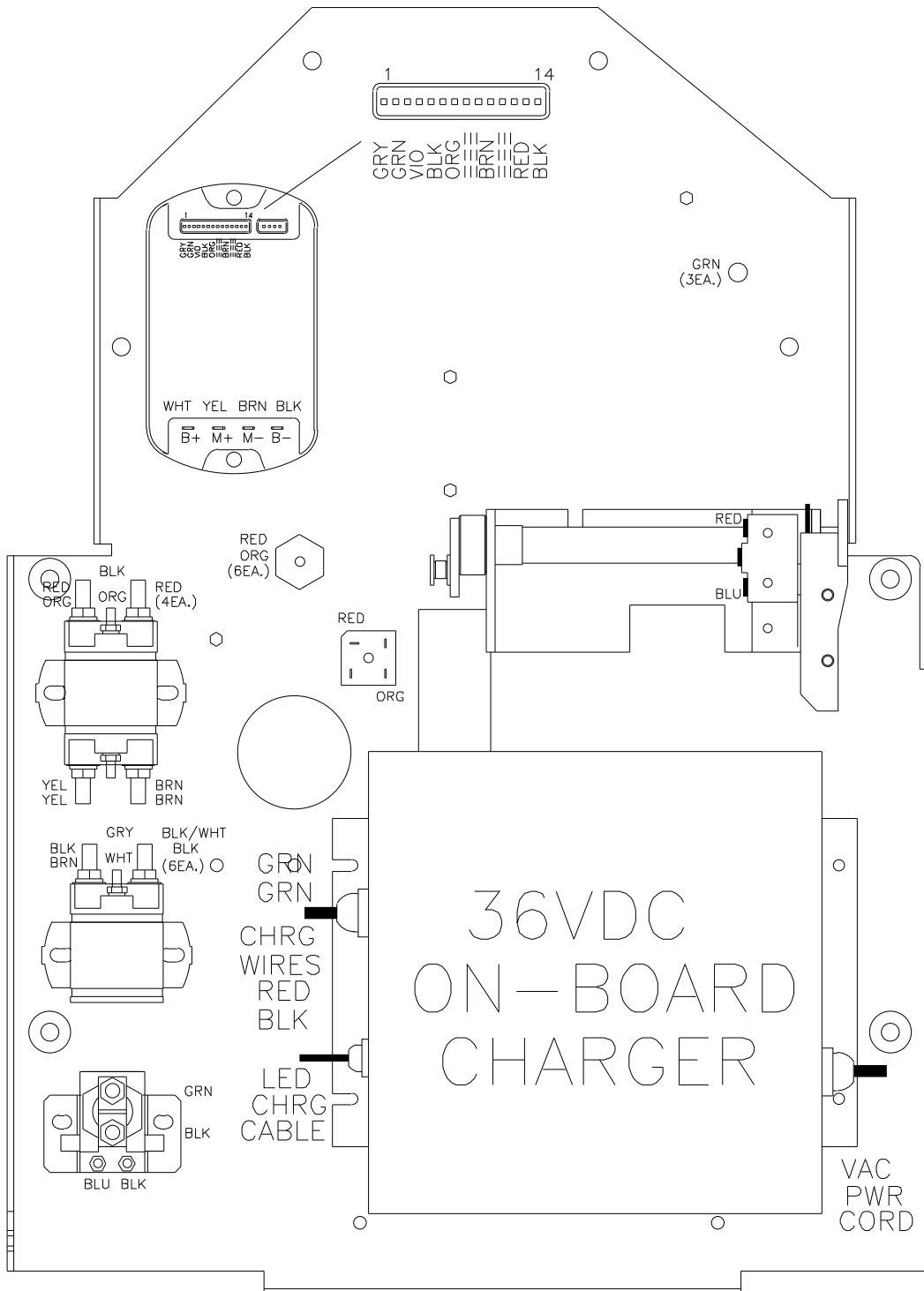
**Clarke®**  
**FOCUS L28/L33/L38 WB**  
**Control Panel Connection Diagram 11/04**



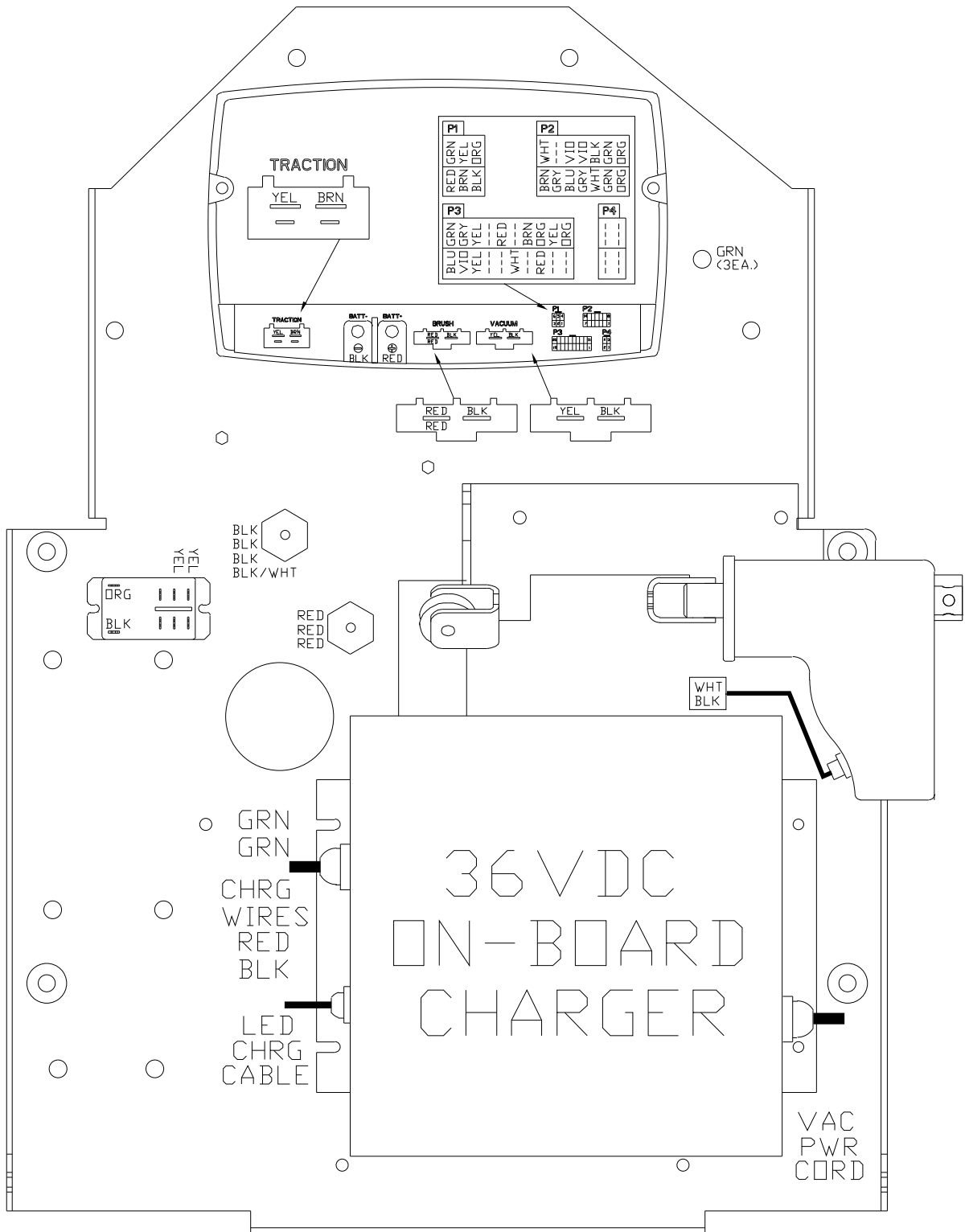
**Clarke®**  
**FOCUS L28/L33/L38 WB**  
**(Front of Machine) Connection Diagram 11/04**



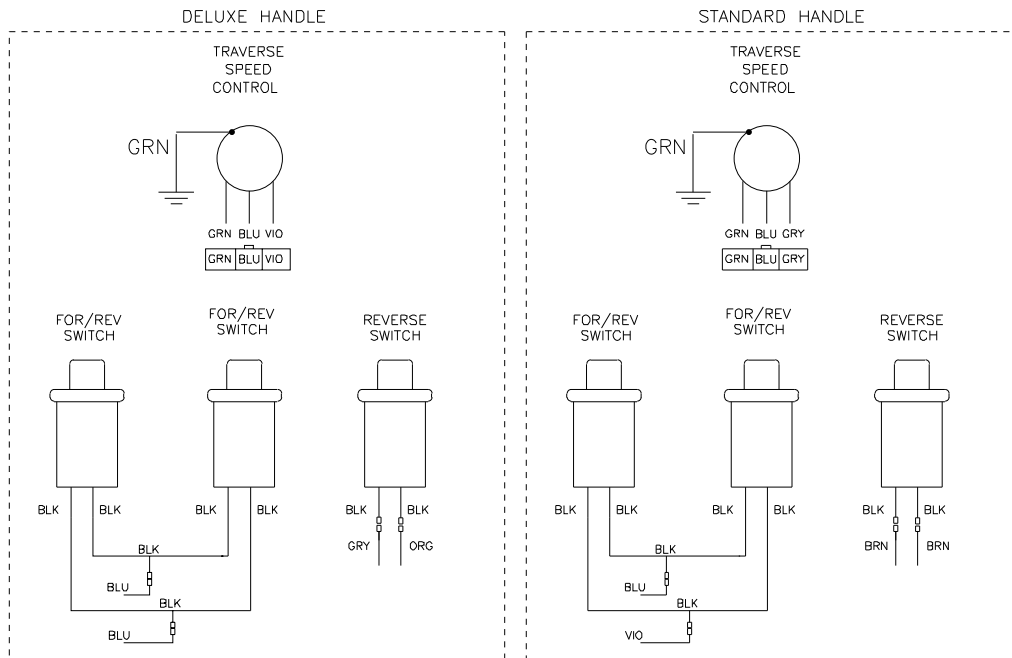
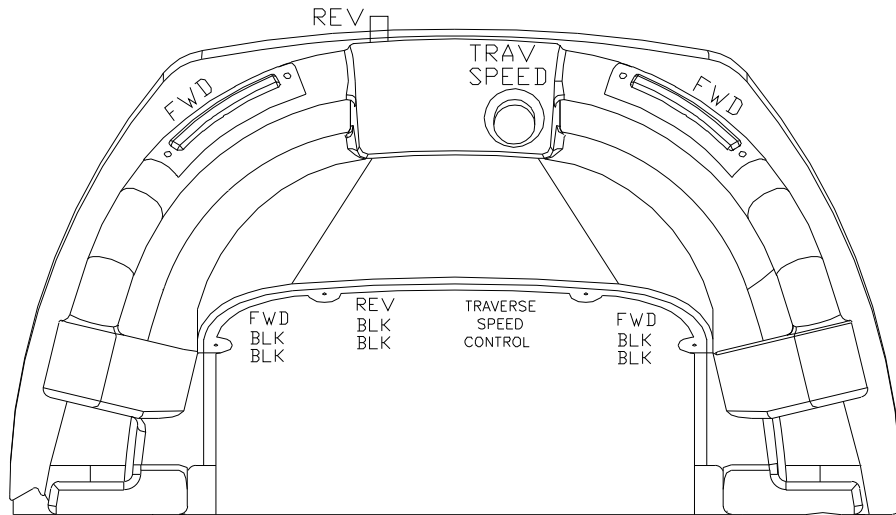
**Clarke®**  
**FOCUS S28/S33/S38 WB**  
**Electrical Plate Connection Diagram 11/04**



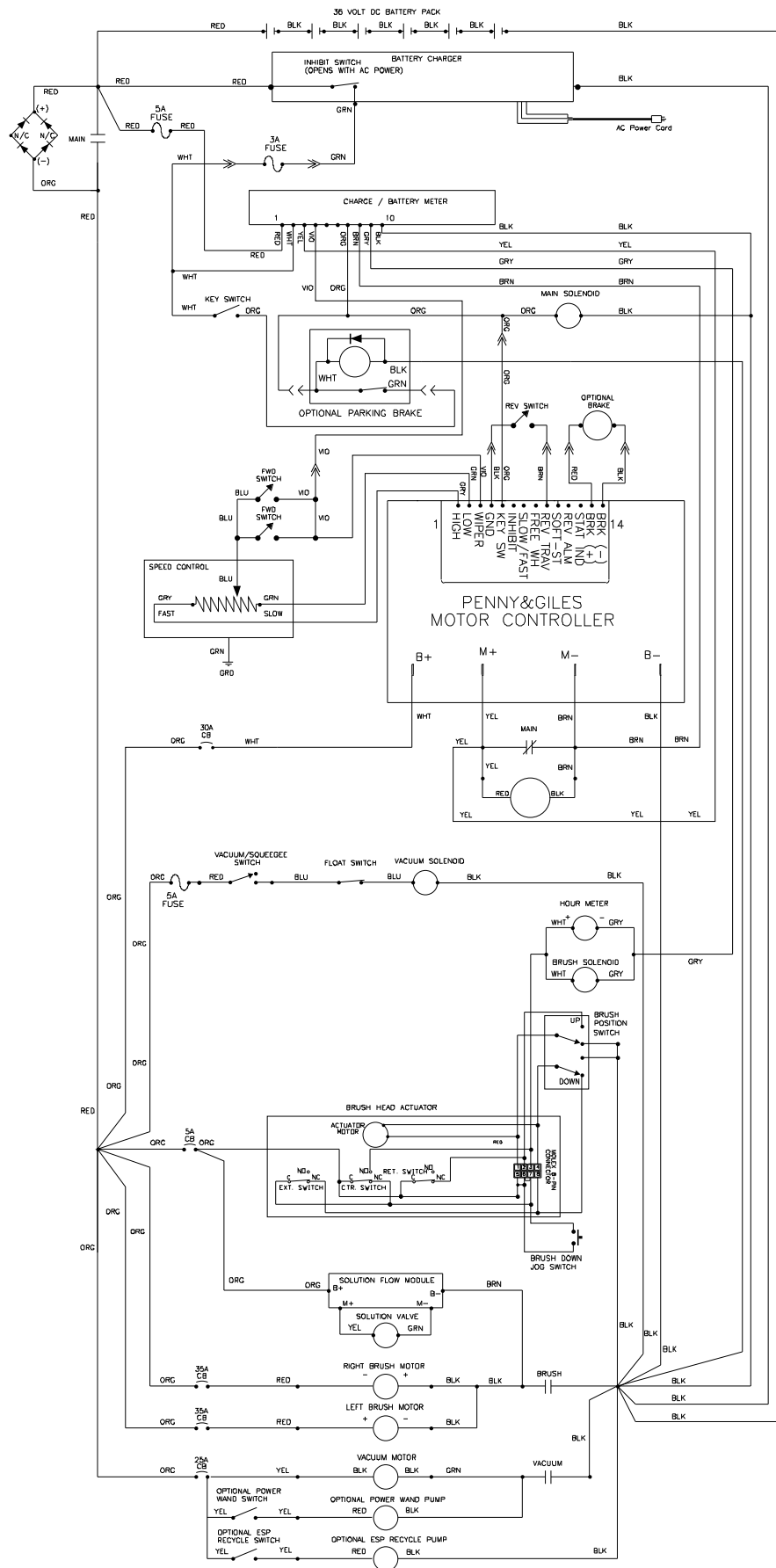
**Clarke®**  
**FOCUS L28/L33/L38 WB**  
**Electrical Plate Connection Diagram 11/04**



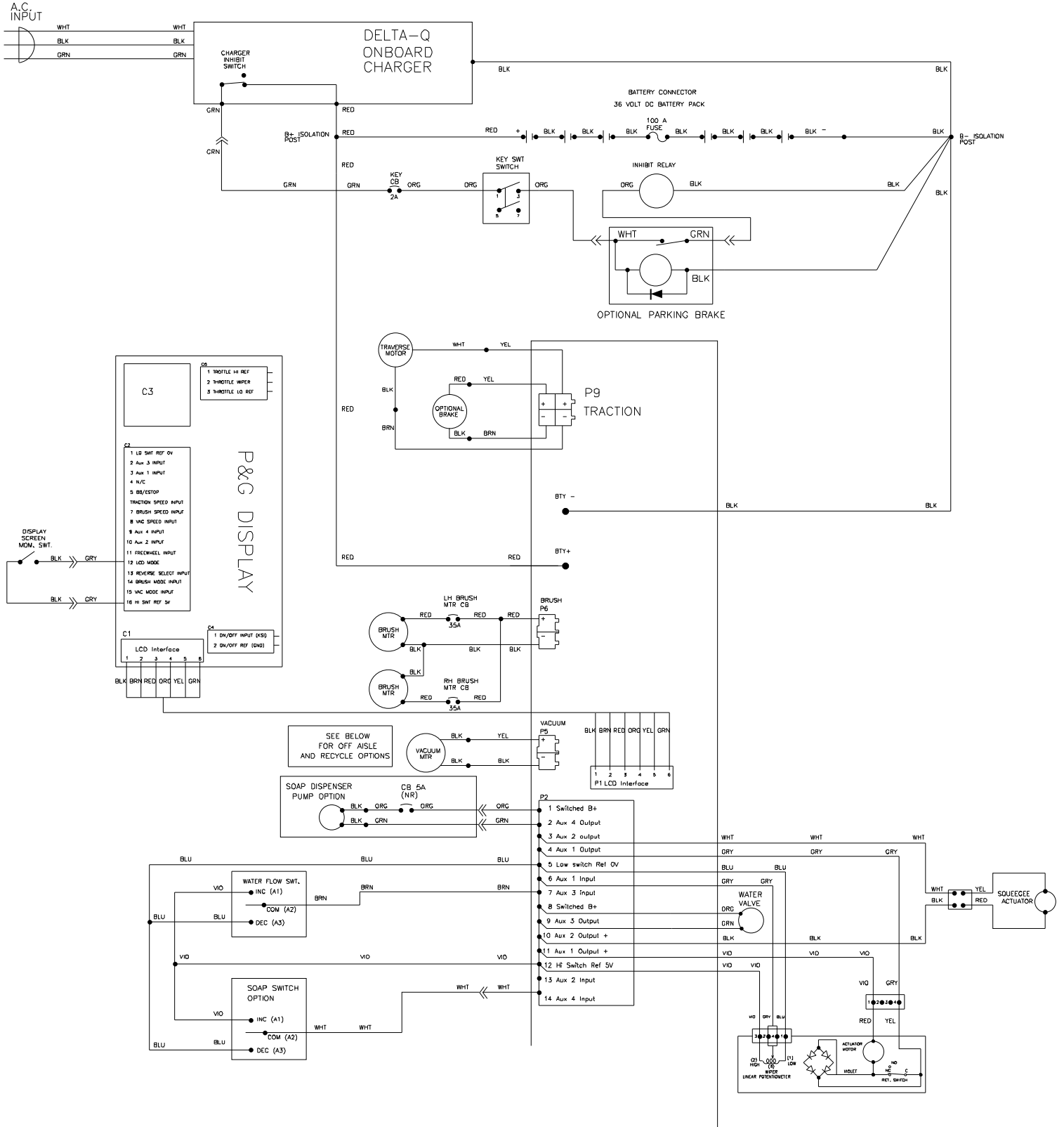
**Clarke®**  
**FOCUS S28/S33/S38 & L28/L33/L38 WB**  
**Control Housing Connection Diagram 11/04**



# Clarke® FOCUS S28/S33/S38 WB Electrical Schematic 11/04

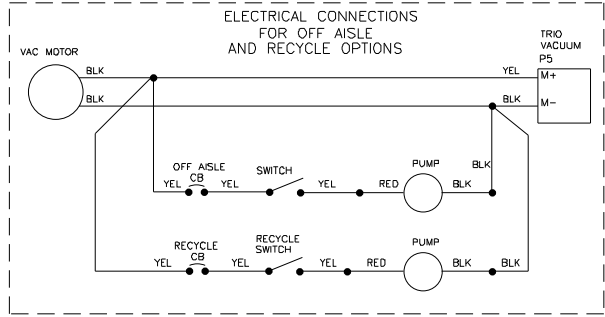
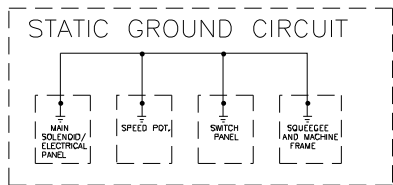
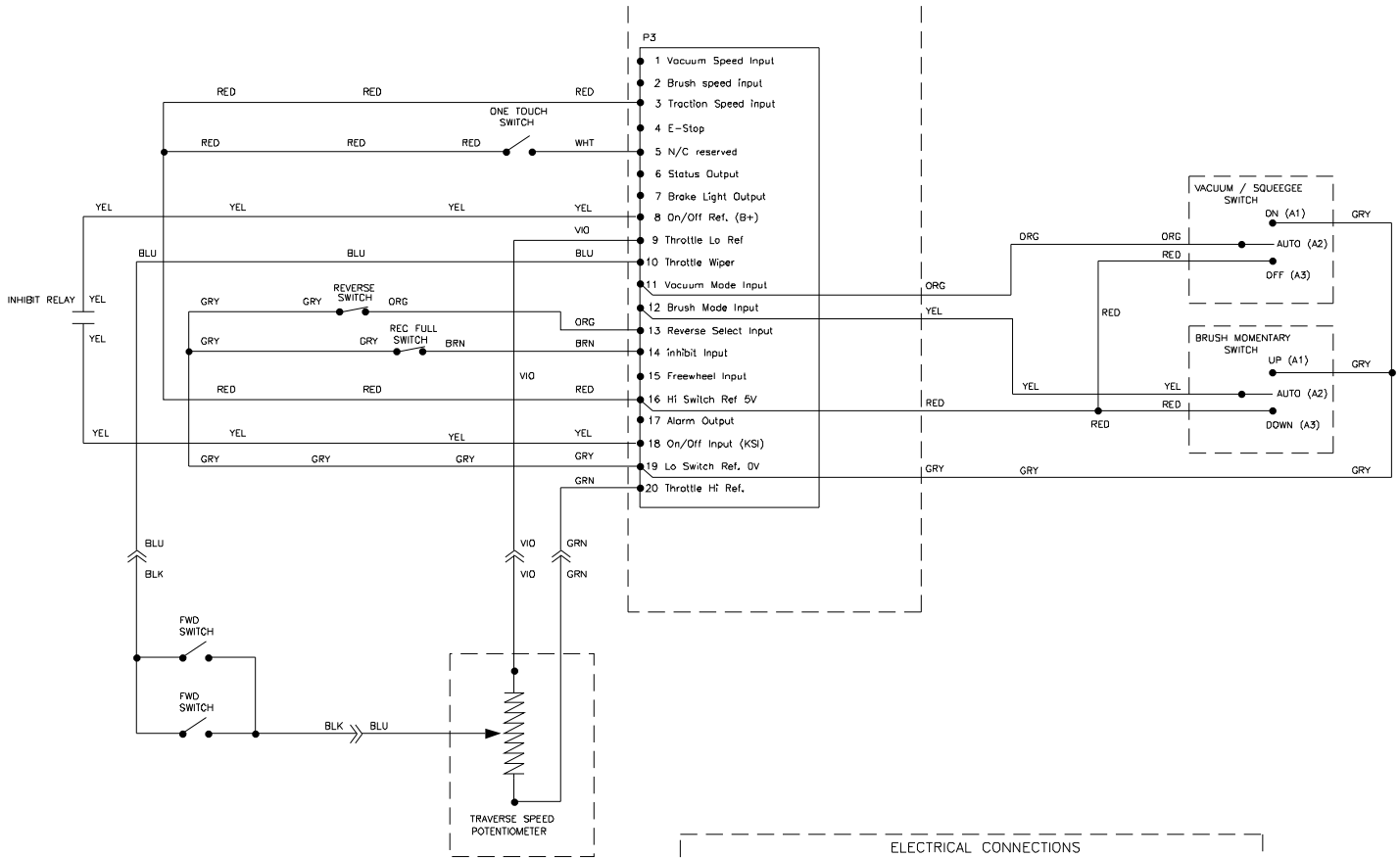


**Clarke®**  
**FOCUS L28/L33/L38 WB**  
**Electrical Schematic (pages 120-121) 11/04**





**Clarke®**  
**FOCUS L28/L33/L38 WB**  
**Electrical Schematic (pages 120-121) 11/04**





# CLARKE PRODUCT SUPPORT BRANCHES

## U. S. A. Locations

### PRODUCTION FACILITIES

**Clarke®**, Springdale, Arkansas  
2100 Highway 265  
Springdale, Arkansas 72764  
(479) 750-1000  
**Customer Service - 1-800-253-0367**  
**Technical Service - 1-800-356-7274**

### SERVICE FACILITIES

**Clarke®**, Elk Grove, Illinois 60007  
2280 Elmhurst Road  
(847) 956-7900

**Clarke®**, Denver, Colorado 80204  
1955 West 13th Ave.  
(800) 651- 3760

**Clarke®**, Houston, Texas 77040  
7215 North Gessner Road  
713-937-7717

### SERVICE AND SALES FACILITY

**American Lincoln® / Clarke**, Madison Heights,  
Michigan 48071-0158  
29815 John R.  
(810) 544-6300

**American Lincoln® / Clarke**, Marietta, Georgia 30066  
1455 Canton Road  
(770) 218-2116

---

**Clarke®**

**Clarke American Sanders**

**Customer Service Headquarters and Factory**  
2100 Highway 265  
Springdale, Arkansas 72764  
(479) 750-1000

**Technical Service**  
1-800-356-7274

## European Locations

### PRODUCTION FACILITIES

ALTO Danmark A/S, Aalborg  
Blytaekkervej 2  
DK-9000 Aalborg  
+45 72 18 21 00

ALTO Danmark A/S, Hadsund  
Industrikvarteret  
DK-9560 Hadsund  
+45 72 18 21 00

### SALES SUBSIDIARIES

ALTO US - Canada, Ontario (Canada)  
4080 B Sladeview Crescent Unit 1  
Mississauga, Ontario L5L 5Y5  
(905) 569 0266

ALTO Cleaning Systems Asia Pte Ltd., Singapore  
No. 17 Link Road  
Singapore 619034  
+65 268 1006

ALTO Deutschland GmbH, Bellenberg (Germany)  
Guido-Oberdorfer-Straße 2-8  
89287 Bellenberg  
+49 0180 5 37 37 37

ALTO Cleaning Systems (UK) Ltd., Penrith  
Gilwilly Industrial Estate  
Penrith  
Cumbria CA11 9BN  
+44 1768 868 995

ALTO France S.A. Strasbourg  
B.P. 44, 4 Place d'Ostwald  
F-67036 Strasbourg  
Cedex 2  
+33 3 8828 8400

ALTO Nederland B.V.  
Postbus 65  
3370 AB Hardinxveld-Giessendam  
The Netherlands  
+31 184 677 200

ALTO Sverige AB, Molndal (Sweden)  
Aminogatan 18  
Box 4029  
S-431 04 Molndal  
+46 31 706 73 00

ALTO Norge A/S, Oslo (Norway)  
Bjornerudveien 24  
N-1266  
+47 2275 1770

## **Clarke® LIMITED U.S. WARRANTY**

This Clarke Industrial/Commercial Product is warranted to be free from defects in materials and workmanship under normal use and service, when operated and maintained in accordance with Clarke's Maintenance and Operations instructions. The warranty period is subject to the conditions stated below.

### **3 YEARS FOR PARTS AND 1 YEAR FOR SERVICE LABOR (See exceptions below)**

Motors must be inspected for carbon motor brush wear at six-month intervals by an authorized Clarke repair station. Failure to comply with the six-month inspection requirement or failure to replace worn motor brushes identified during the inspection will void the warranty on the motors. Cost of the six-month inspection and replacement of carbon motor brushes is the responsibility of the purchaser. In the event of a warranty claim on the motors, proof of inspection and any required motor brush replacement must be provided. This warranty is extended only to the original purchaser for use of the product. It does not cover normal wear parts such as electrical cable, rubber parts, hoses and motor brushes.

### **BATTERY WARRANTY**

In addition to the items above, any original equipment Clarke Battery which becomes unserviceable under normal use within a period of ninety (90) days from date of sale to the original user will be repaired or replaced with one of equal specification at our option, F.O.B. any authorized Clarke Sales or Service Branch, with no charge to the user, except transportation costs. After expiration of the above ninety (90) day period, any battery which fails under normal use will be adjusted to the original user with a new battery of equal specification on an eighteen (18) months pro rate basis from the date of purchase. Adjustment will be determined using the then current list price, plus transportation costs.

Warranty is rendered null and void if battery is not kept filled to the proper level with DISTILLED WATER.

### **CLARKE: POLYDUR® AUTOMATIC SCRUBBER SOLUTION AND RECOVERY TANK EIGHT-YEAR U.S. GUARANTEE**

Your new Clarke machine has polydur Solution and Recovery Tanks. Polydur is a rotationally molded, low-density linear polyethylene that won't crack or dent, and withstands most corrosives and temperature extremes. Clarke backs up your Polydur tanks with an eight-year guarantee. If a tank breaks or leaks under normal use within eight years of the date of purchase, it will be replaced free.

### **CLARKE UNIBODY FRAME FIVE-YEAR U.S. WARRANTY**

Clarke warrants the frame for a period of five years against defects in materials and workmanship under normal use and service.

### **STATED WARRANTIES ARE IN LIEU OF ALL OTHER WARRANTIES, EXPRESSED OR IMPLIED**

Clarke's liability under this warranty is limited to repair of the product and/or replacement of parts and is given to purchaser in lieu of all other remedies, including INCIDENTAL AND CONSEQUENTIAL DAMAGES.

THERE ARE NO EXPRESS WARRANTIES OTHER THAN THOSE SPECIFIED HEREIN. THERE ARE NO WARRANTIES WHICH EXTEND BEYOND THE DESCRIPTION OF THE FACE HEREOF. NO WARRANTIES, INCLUDING BUT NOT LIMITED TO WARRANTY OF MERCHANTABILITY, SHALL BE IMPLIED. A warranty registration card is provided with your Clarke product. Return the card to assist Clarke in providing the performance you expect from your new floor machine.

If a difficulty develops with the product, you should: a) Contact the nearest authorized Clarke repair location or contact the Clarke Service Operations Department, 2100 Highway 265, Springdale, Arkansas 72764, for the nearest authorized Clarke repair location. Only these locations are authorized to make repairs to the product under this warranty. (b) Return the product to the nearest Clarke repair location. Transportation charges to and from the repair location must be prepaid by the purchaser. Clarke will repair the product and/or replace any defective parts with out charge within a reasonable time after receipt of the product.

Clarke, 2100 Highway 265, Springdale, Arkansas 72764.

**Clarke reserves the right to make changes or improvements to its machine without notice.  
Always use genuine Clarke Parts for repair.**

# **Clarke®**

**2100 Highway 265  
Springdale, Arkansas, 72764**