



IPC Integrated Professional Cleaning

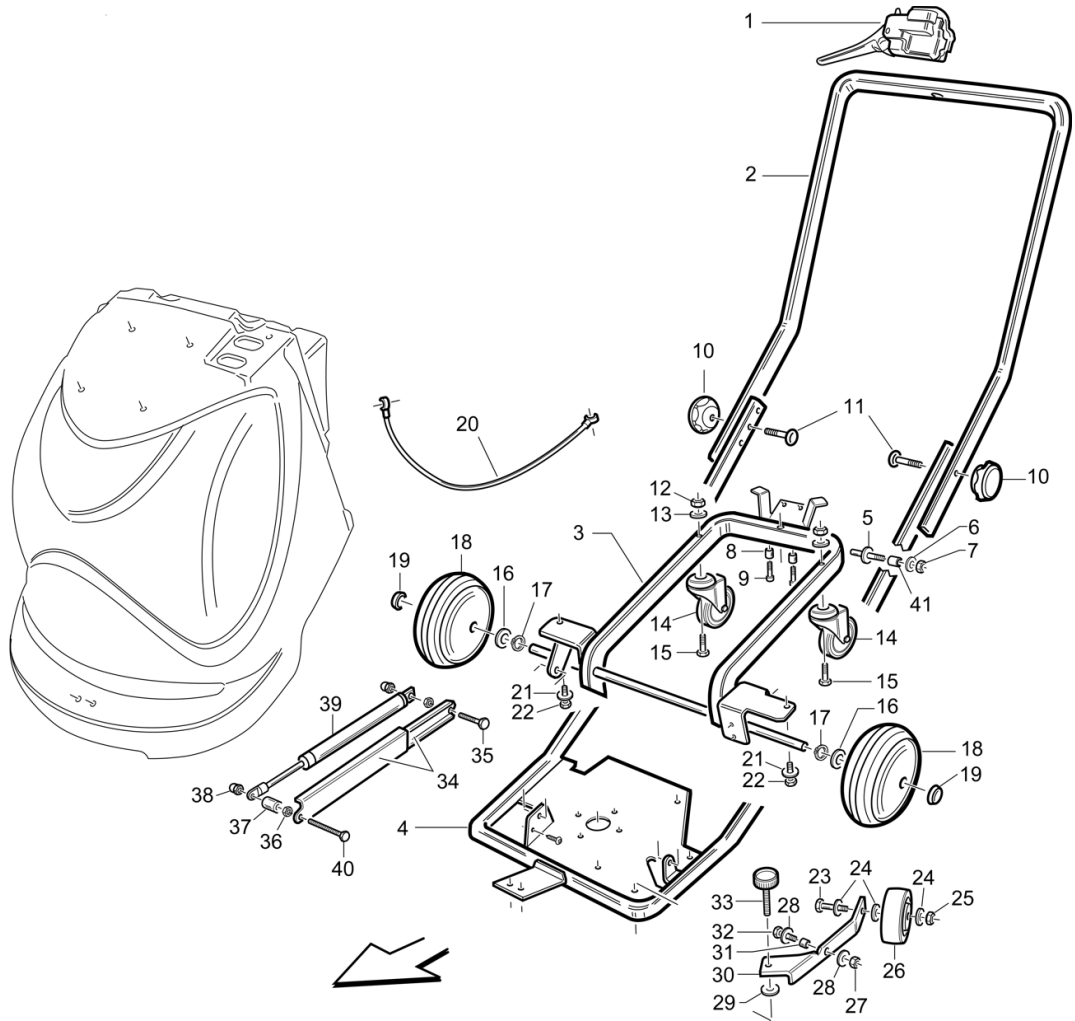
IPCGansow

Spare Parts List

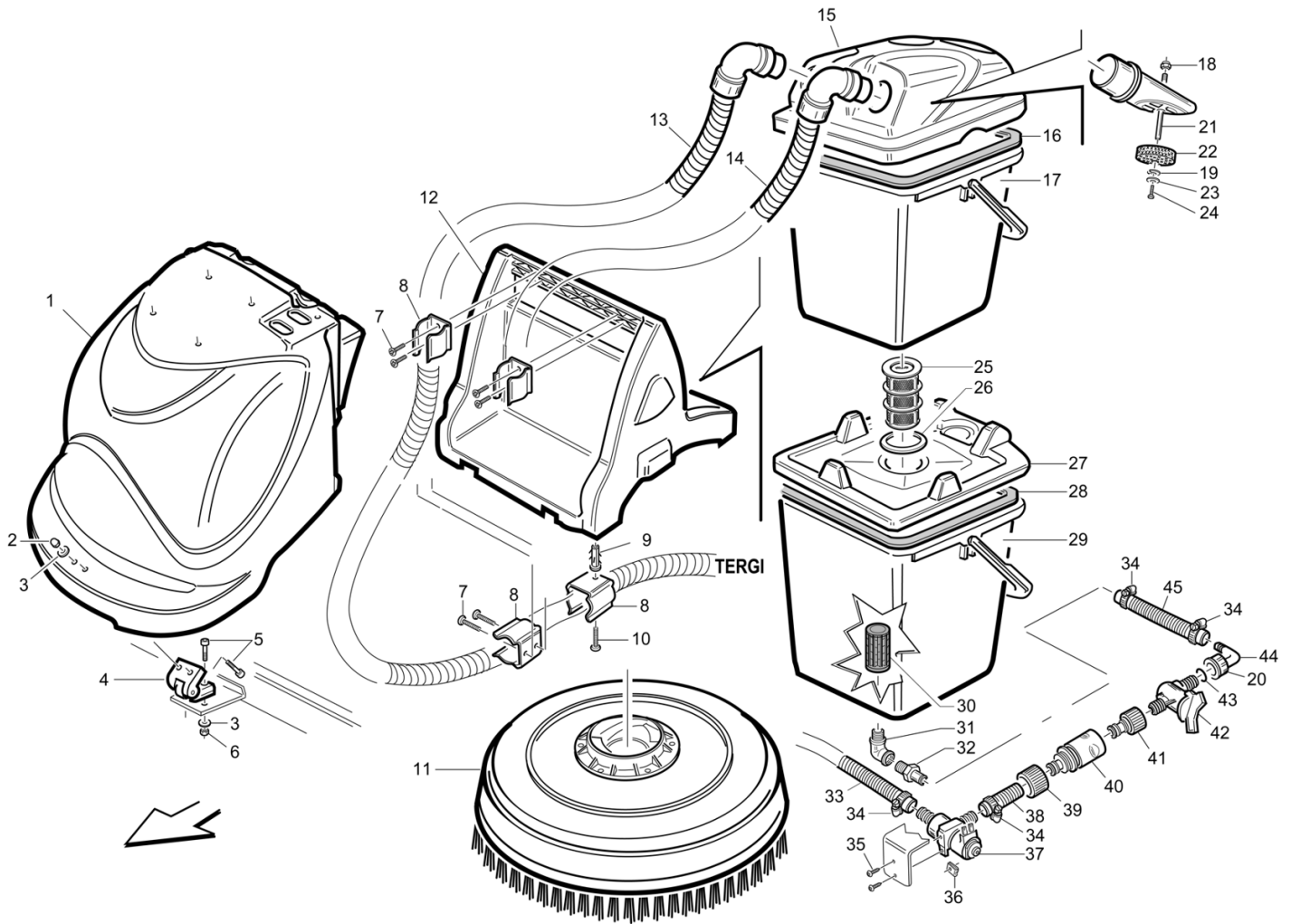
IPC . EAGLE

Ref: LPTB01194

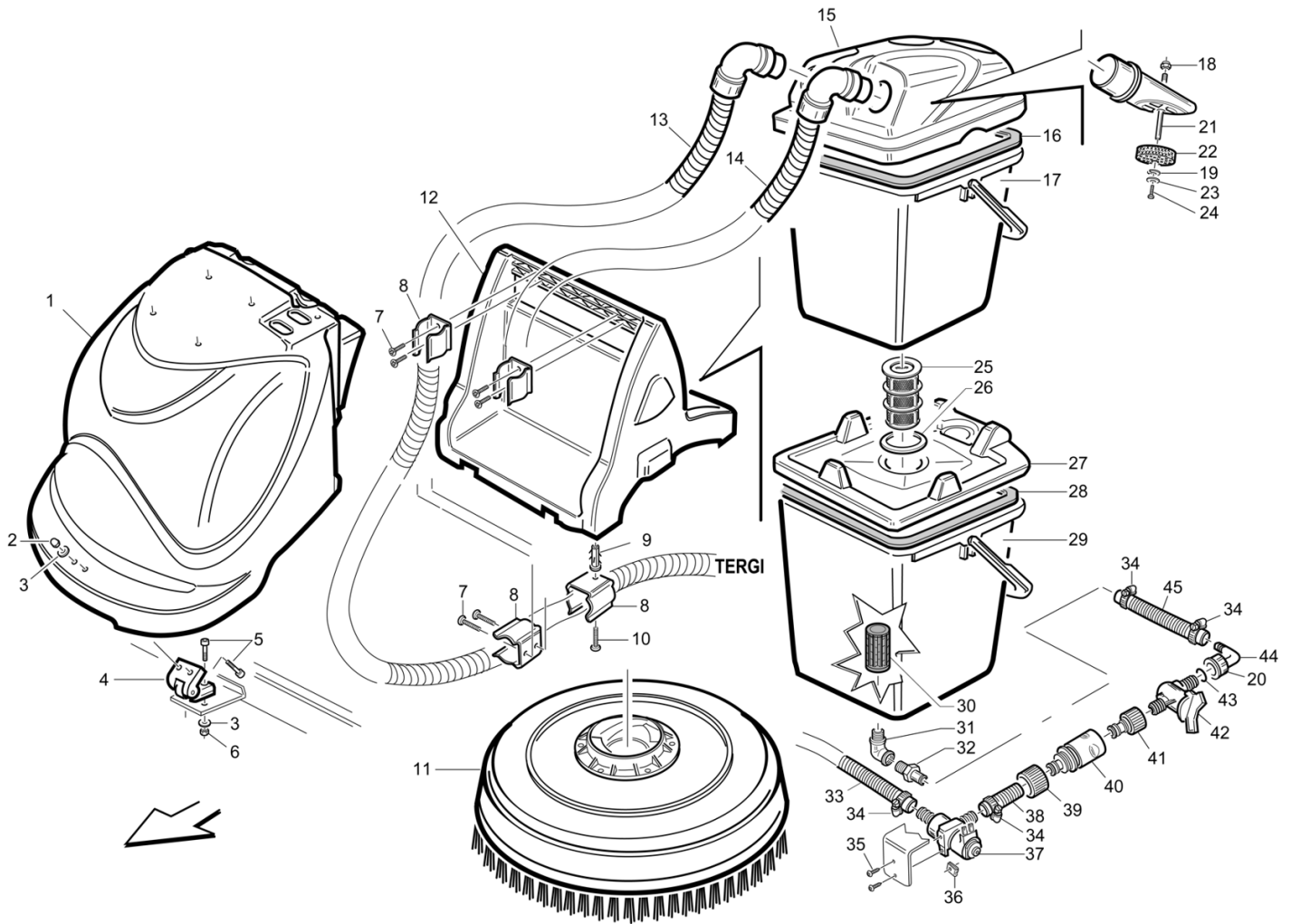
Model: LAVASCIUGA GANSY B + CB +BATT. IPC



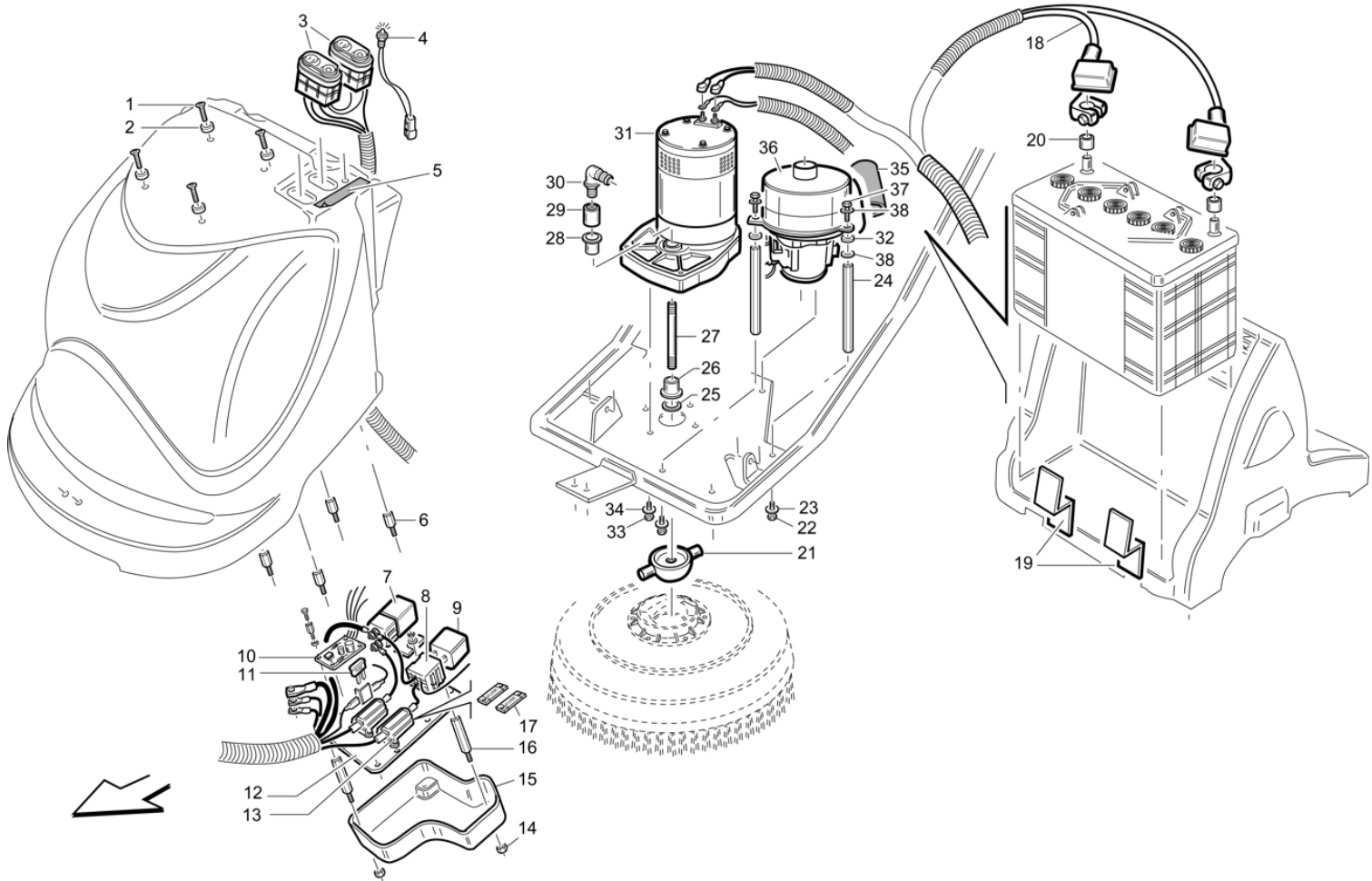
Ref.	K	Part N.	Customer Part N.	Description	Qty	Validity:		Price
						From	To	
0001		MEVR01732		HANDLE CT25	1,00			--
0002		LAFN06702		TUBE -	1,00			--
0003		LAFN06704		TUBE CT25	1,00			--
0004		LAFN06705		FRAME CT25	1,00			--
0005		LAFN06710		PIN CT25	2,00			--
0006		VTRS13946		WASHER D. 8 X24 INX UNI 6593	2,00			--
0007		VTDD01695		NUT M 8 INX	2,00			--
0008		LAFN04067		BUSHING PER CAVETTO	2,00			--
0009		VTVT17720		SCREW TCEI M 5X16 INOX	2,00			--
0010		MPVR05374		KNOB CT25	2,00			--
0012		VTDD10310		NUT AUTOBL.M10 INOX DIN 985	2,00			--
0013		VTRS15523		WASHER D.10 X21 INOX UNI 6592	2,00			--
0014		RTRT00513		WHEEL 2870	2,00			--
0015		VTVT01679		SCREW TCEI M 10X50	2,00			--
0016		VTRS09142		WASHER D.12 X 36	2,00			--
0017		VTAE00051		CIRCLIP X ALBERO D. 12 U7435 INX	2,00			--
0018		RTRT00039		WHEEL POSTERIORE	2,00			--
0019		VTVR00305		WASHER DI FERMO DIAMETRO 12	2,00			--
0020		CMCV00353		CABLE CT25	1,00			--
0021		VTRS15523		WASHER D.10 X21 INOX UNI 6592	2,00			--
0022		VTVT00715		SCREW TE M.10-35	2,00			--
0023		VTVT00836		SCREW TE M12-60 INOX	1,00			--
0024		VTRS15978		WASHER D.12X24 UNI 6592 INX	2,00			--
0025		VTDD00176		NUT M.12 INOX A2 BASSO AUTOB.	1,00			--
0026		RTRT49171		CASTER D. 80-12	1,00			--
0028		VTRS13947		WASHER D. 8 INX UNI 6592	2,00			--
0029		VTRS00374		KNOB -	1,00			--
0030		LAFN06703		BRACKET -	1,00			--
0031		RCDS34717		BUSHING D. 9X12X 8.3	1,00			--
0032		VTVT15907		SCREW TE 8X25 UNI5739 INX	1,00			--
0033		MPVR05375		KNOB CT25	1,00			--
0034		LAFN01252		ARM FRONT	1,00			--
0035		VTVT13939		SCREW TE 6X20 UNI5739 INX	1,00			--
0036		VTDD01694		NUT M 6 INX	1,00			--
0037		LAFN03742		SPACER SILENZIATORE	1,00			--
0038		VTDD48188		NUT M 6 CIE. INX A2 UNI 5721	1,00			--
0039		MLML00314		SPRING -	1,00			--
0040		VTVT00392		SCREW M6x35 UNI5739 inox	1,00			--
0041		LAFN06711		BUSHING CT25	2,00			--



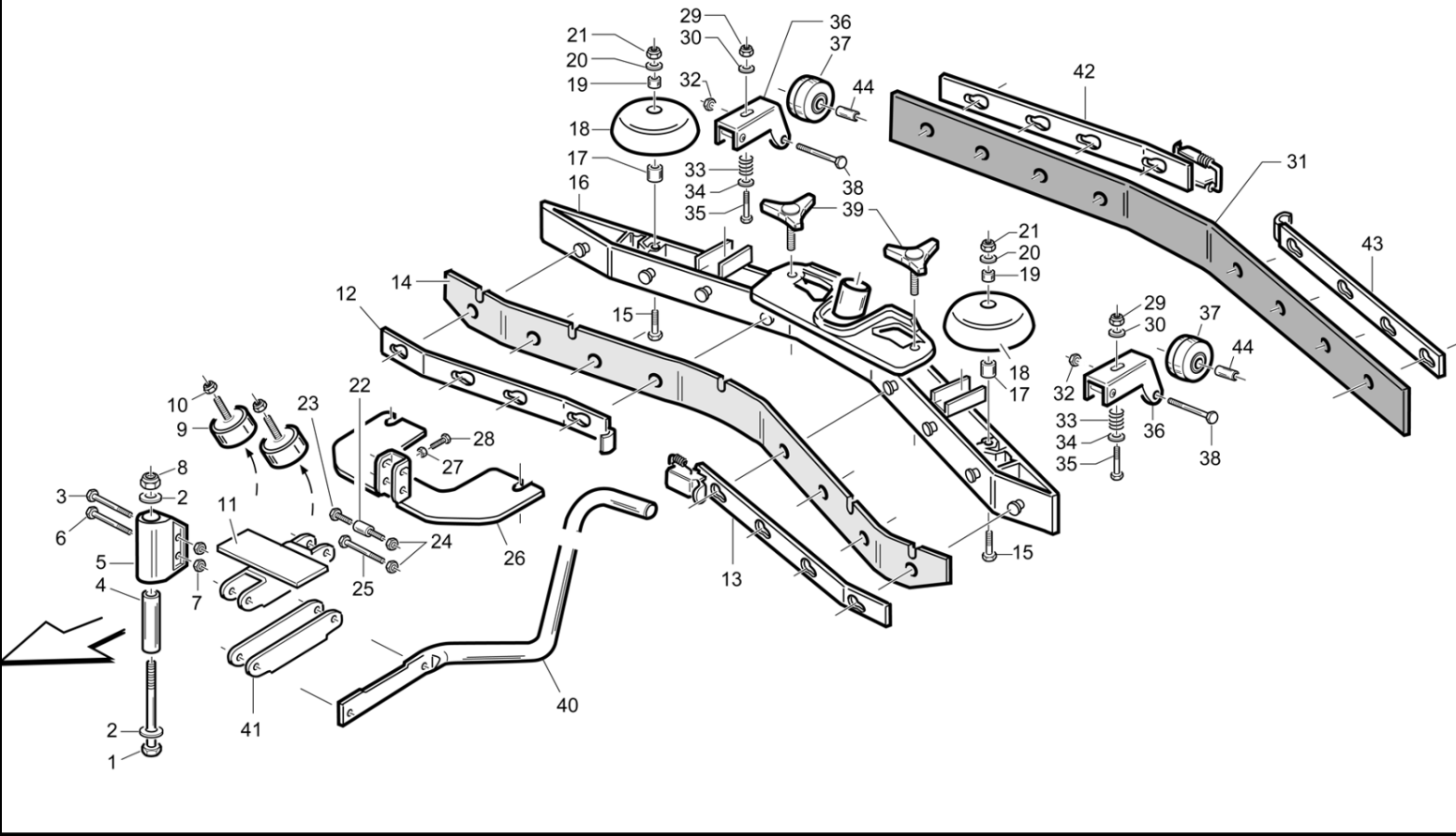
Ref. K	Part N.	Customer Part N.	Description	Qty	Validity:		Price
					From	To	
0001	MPVR05340		HOOD CT25	1,00			--
0002	VTDD48188		NUT M 6 CIE. INX A2 UNI 5721	2,00			--
0003	VTRS13945		WASHER D. 6X18 INX UNI 6593	4,00			--
0004	CEVR85332		HINGE MEB F D.6 TK	1,00			--
0005	VTVT00717		SCREW TCEI M. 6-16	4,00			--
0006	VTDD01694		NUT M 6 INX	2,00			--
0007	VTVT00043		SCREW AUTOF.LEGNO 4,5X25 TS BR	6,00			--
0008	MPVR46988		CLIP LAV. SHK	3,00			--
0009	VTVR00485		BOSS 8X50	1,00			--
0010	VTVR00485		BOSS 8X50	1,00			--
0011	SPPV01231		BRUSH CT25	1,00			--
0013	TBFX00316		TUBE CT25	1,00			--
0014	TBFX00317		TUBE CT25	1,00			--
0015	MPVR05354		COVER CT25	1,00			--
0016	MPVR05358		MOUSSE CT25	1,00			--
0018	VTDD15925		NUT M 4 INX	1,00			--
0019	VTRS15913		WASHER D. 4 GROVER A2 UNI1751	1,00			--
0020	MPVR05240		RING NUT G1/2	1,00			--
0021	LAFN06724		PIN CT25	1,00			--
0022	MPVR05357		FLOATER CT25	1,00			--
0023	VTRS00251		WASHER 4-16 INOX A2	1,00			--
0024	VTVT21096		SCREW TE M 4X 10 INX	1,00			--
0025	FTAC48857		FILTER ASP. ACQUA SERB. LAVAP.	1,00			--
0026	GUGO00267		GASKET FILTRO	1,00			--
0027	MPVR05341		COVER CT25	1,00			--
0028	MPVR05358		MOUSSE CT25	1,00			--
0030	FTAC00001		FILTER 1/2"	1,00			--
0031	RCVR00094		CURVE 90° 1/2" F/F	1,00			--
0032	RCVR00113		NIPPLE M-M 1/2"-D.13	1,00			--
0033	TBFX00319		TUBE	1,00			--
0034	FSVR00096		CLAMP 10-16 INOX	4,00			--
0035	VTVT48694		SCREW TCB TC 5 X12 UNI 9707 TZ	2,00			--
0036	MLML00002		SPRING PRESTOLA DOPPIA 8P	2,00			--
0037	MEEV00028		SOLENOID VALVE	1,00			--
0038	TBFX00321		TUBE	1,00			--
0039	RCVR00104		JOINT 1/2"	1,00			--
0040	RCVR00104		JOINT 1/2"	1,00			--
0041	RCVR00103		JOINT R 1/2"	1,00			--
0042	RCGR00078		TAP -	1,00			--



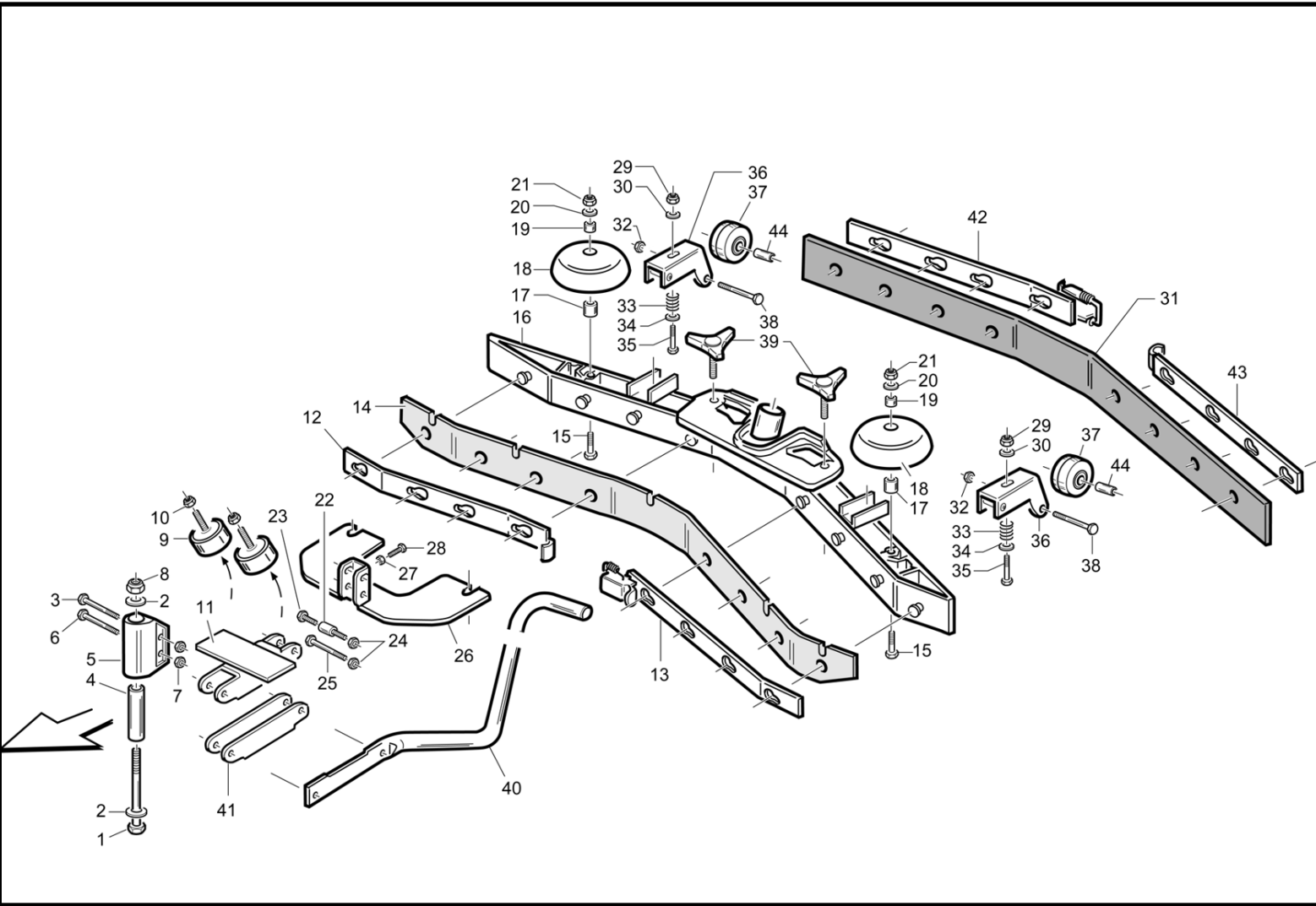
Ref. K	Part N.	Customer Part N.	Description	Qty	Validity:		Price
					From	To	
0043	GUGO00427		GASKET -	1,00			--
0044	RCVR00752		CONNECTOR G1/2"G	1,00			--
0045	TBFX00320		TUBE	1,00			--



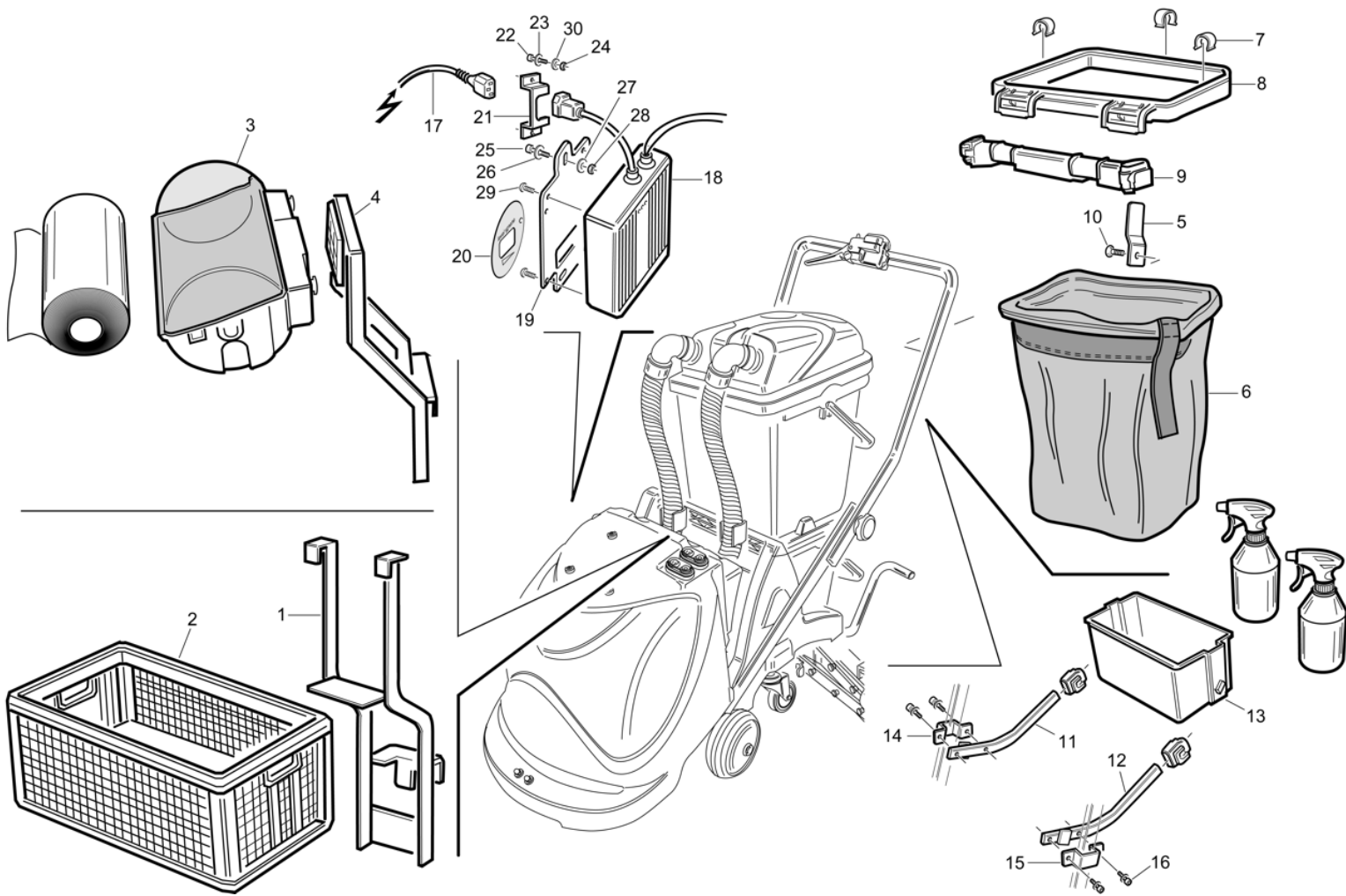
Ref.	K	Part N.	Customer Part N.	Description	Qty	Validity: From To	Price
0001		VTVT00474		SCREW TSCE uni 5933 4x12 ZB	4,00		--
0002		VTRS00119		WASHER UN.SCREWBLACK	4,00		--
0003		MECI00346		SWITCH TTR/L BIP. 24V	2,00		--
0004		MECB01067		WIRING LED CT25	1,00		--
0005		ETET01581		LABEL CT25	1,00		--
0006		VTVR00552		SPACER -	4,00		--
0007		METT00080		CONTACTOR E TL 10P 12V 100A	1,00		--
0008		METT00053		BLOCK PORTA RELE'	1,00		--
0009		MECI00408		RELAY FITRE	1,00		--
0010		MECE00473		BOARD CT25	1,00		--
0011		MEVR01316		FUSE A LAMA 10 A. 32V	1,00		--
0012		LAFN06870		PLATE CT25	1,00		--
0013		MEVR01332		FUSE-HOLDER	2,00		--
0014		VTDD00481		NUT M4 INOX	2,00		--
0015		MPVR05350		CONTAINER CT25	1,00		--
0016		VTVR00553		SPACER -	2,00		--
0017		MEVR42990		FUSE 60A NST.	2,00		--
0018		MECB01041		WIRING CT25	1,00		--
0019		LAFN06708		BRACKET CT25	2,00		--
0020		MEVR01737		KIT -	1,00		--
0021		MFVR00134		DRIVE DISK SPAZZOLE	1,00		--
0022		VTVT15143		SCREW TE 6X16 UNI5739	3,00		--
0023		VTRS15144		WASHER D. 6 INX GRW UNI 1751	3,00		--
0024		VTVR00550		SPACER -	3,00		--
0025		MPVR02997		CLIP ANELLO X PERNO D10	1,00		--
0026		CUVR43254		BUSHING CB 85 1010 18T	1,00		--
0027		LAFN04202		TUBE SOLUZIONE INOX D10	1,00		--
0028		CUVR43254		BUSHING CB 85 1010 18T	1,00		--
0029		LAFN51028		BUSHING	1,00		--
0030		RCVR45752		HOSE FITTING "L" 3/8M - D.10 PLS.	1,00		--
0031		MOCC00338		MOTOR 12V - 550W	1,00		--
0032		MPVR35582		RUBBER LAV.	3,00		--
0033		VTVT15143		SCREW TE 6X16 UNI5739	4,00		--
0034		VTRS15144		WASHER D. 6 INX GRW UNI 1751	4,00		--
0035		KTRIO1795		TUBE CT25	1,00		--
0036		MOCC00337		MOTOR 12V	1,00		--
0037		VTVT15143		SCREW TE 6X16 UNI5739	3,00		--
0038		VTRS13945		WASHER D. 6X18 INX UNI 6593	6,00		--



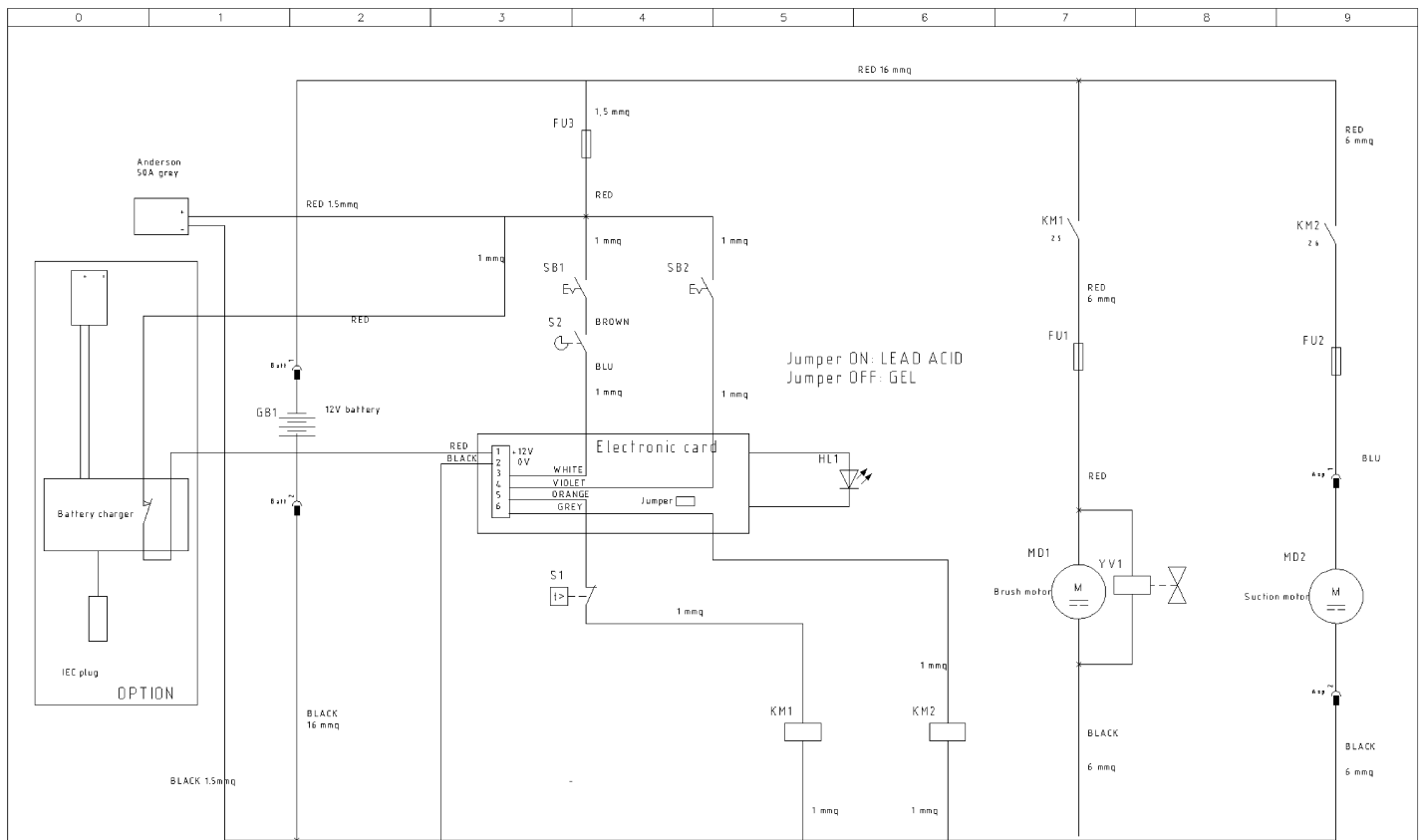
Ref. K	Part N.	Customer Part N.	Description	Qty	Validity: From To	Price
0001	VTVT01680		SCREW TE M 10X110	1,00		--
0002	VTRS15523		WASHER D.10 X21 INOX UNI 6592	2,00		--
0003	VTVT15142		SCREW TE M 6x45 INOX	1,00		--
0004	LAFN06767		BUSHING CT25	1,00		--
0005	MPVR04734		BLOCK TERGI	1,00		--
0006	VTVT15145		SCREW TE 6X40 UNI5739 INX	1,00		--
0007	VTDD01694		NUT M 6 INX	2,00		--
0008	VTDD10310		NUT AUTOBL.M10 INOX DIN 985	1,00		--
0009	MEVR01961		CLAMP SM08.3015	2,00		--
0010	VTDD01693		NUT M 5 INX	2,00		--
0011	LAFN06707		PLATE CT25	1,00		--
0012	LAFN51043		LAMINATION BLOCCA LAMA ANTER.DX XS	1,00		--
0013	LAFN51042		LAMINATION BLOCCA LAMA ANTER.SX XS	1,00		--
0014	MPVR51017		BLADE ANTER.TERGI XS	1,00		--
0015	VTVT17342		SCREW TE M 6X 60 UNI 5739 INX	2,00		--
0016	MFVR00143		BODY SQUEEGEE PRESSOFUSO	1,00		--
0017	LAFN04100		SPACER PER RUOTINO PARACOLPI	2,00		--
0018	RTRT43370		CASTER D.100 2V.	2,00		--
0019	MPVR49229		BUSHING SHK	2,00		--
0020	VTRS00245		WASHER D.6 UNI 6592 INOX	2,00		--
0021	VTDD01694		NUT M 6 INX	2,00		--
0022	LAFN03742		SPACER SILENZIATORE	1,00		--
0023	VTVT15142		SCREW TE M 6x45 INOX	1,00		--
0024	VTDD01694		NUT M 6 INX	2,00		--
0025	VTVT15145		SCREW TE 6X40 UNI5739 INX	1,00		--
0026	LAFN06706		PLATE CT25	1,00		--
0027	VTDD15521		NUT M 8 INX A2 UNI 5588	1,00		--
0028	VTVT15907		SCREW TE 8X25 UNI5739 INX	1,00		--
0029	VTDD01695		NUT M 8 INX	2,00		--
0030	VTRS13947		WASHER D. 8 INX UNI 6592	2,00		--
0031	MPVR51016		BLADE POST.TERGI XS	1,00		--
0032	VTDD01694		NUT M 6 INX	2,00		--
0033	MLML49422		SPRING D.15X 45 X1	2,00		--
0034	VTRS13947		WASHER D. 8 INX UNI 6592	2,00		--
0035	VTVT01304		SCREW M 8X 40 TTQST UNI 5731	2,00		--
0036	LAFN05559		SUPPORT RUOTINO	2,00		--
0037	RTRT49413		WHEEL D. 60-D.15 X36 NYL.	2,00		--
0038	VTVT15515		SCREW TE M 6X 50 INOX A2	2,00		--
0039	MPVR05265		KNOB 8X25	2,00		--



Ref. K	Part N.	Customer Part N.	Description	Qty	Validity:		Price
					From	To	
0040	LAFN06701		TUBE -	1,00			--
0041	LAFN05853		LEVER ARM SOLLEVAMENTO TERGI	1,00			--
0042	LAFN51041		LAMINATION BLOCCA LAMA POST.DX XS	1,00			--
0043	LAFN51040		LAMINATION BLOCCA LAMA POST.SX XS	1,00			--
0044	LAFN04041		SPACER D6/15	2,00			--

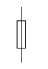


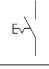

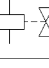

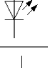


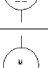
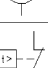
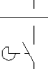



Ref. K	Part N.	Customer Part N.	Description	Qty	Validity:		Price
					From	To	
0001	LAFN06888		SUPPORT CT25	1,00			--
0002	MPVR05399		SMALL BASKET CT25	1,00			--
0003	MPVR05400		DOOR ROTOLO	1,00			--
0004	LAFN06889		SUPPORT CT25	1,00			--
0005	LAFN06893		PLATE KIT	1,00			--
0006	MPVR05405		SACK LT50	1,00			--
0007	MPVR05407		COVER GANSY	4,00			--
0008	KTRI01808		KIT GANSY	1,00			--
0009	KTRI01808		KIT GANSY	1,00			--
0010	VTVT21887		SCREW TCB-TC 4X10 8112	2,00			--
0011	LAFN06890		SUPPORT CASSETTA	1,00			--
0012	LAFN06895		PLATE KIT	1,00			--
0013	MPVR05402		BOX EUROMOP	1,00			--
0014	LAFN06891		PLATE CASSETTA	1,00			--
0015	LAFN06894		PLATE KIT	1,00			--
0016	VTVT11703		SCREW TCB-TC 5X12	4,00			--
0017	MECB00922		EXTENSION 3X0,75 SPINA SHUKO	1,00			--
0017	MECB00923		EXTENSION AWG18 SPINA USA	1,00			--
0018	BACA00126		BATTERY-CHARGERCBHD1 12V 8A	1,00			--
0019	LAFN07267		BRACKET 512-712	1,00			--
0020	ETET01588		LABEL CT25	1,00			--
0021	LAFN06872		BRACKET CT25	1,00			--
0022	VTVT00083		SCREW TSCE UNI 5933 4X16 ZB	2,00			--
0023	VTRS00119		WASHER UN.SCREWBLACK	2,00			--
0024	VTDD04369		NUT M 4 TEF UNI 7473	2,00			--
0025	VTVT00234		SCREW TSPEI M5x16 UNI5933	2,00			--
0026	VTRS00060		WASHER D.5,3x14,5x3,2	2,00			--
0027	VTRS15958		WASHER D. 5 X15 UNI 6593	2,00			--
0028	VTDD00040		NUT M5 UNI7474	2,00			--
0029	VTVT21887		SCREW TCB-TC 4X10 8112	4,00			--



Dis. N.	Impianto	Wiring diagram	Ordine	FOGLIO
C.A.D.	Nome File	CT25 - battery	Commissa	2
	Data	PLDC01722	Esecutore	SECUE
				3

Ref.	K	Part N.	Customer Part N.	Description	Qty	Validity:	From	To	Price
FU1		MEVR42990		FUSE 60A NST.	1,00				--
FU2		MEVR42990		FUSE 60A NST.	1,00				--
FU3		MEVR01316		FUSE A LAMA 10 A. 32V	1,00				--
HL1		MECB01067		WIRING LED CT25	1,00				--
KM1		METT00080		CONTACTOR E TL 10P 12V 100A	1,00				--
KM2		MECI00408		RELAY FITRE	1,00				--
MD1		MOCC00338		MOTOR 12V - 550W	1,00				--
MD2		MOCC00337		MOTOR 12V	1,00				--
S2		MEVR01732		HANDLE CT25	1,00				--
SB1		MECI00346		SWITCH TTR/L BIP. 24V	1,00				--
SB2		MECI00346		SWITCH TTR/L BIP. 24V	1,00				--
YV1		MEEV00028		SOLENOID VALVE	1,00				--

0			1			2			3			4			5			6			7			8			9		
Sim.\Sym.	Sigla\Item	Funzione\Use Type	Sim.\Sym.	Sigla\Item	Funzione\Use Type	Sim.\Sym.	Sigla\Item	Funzione\Use Type	Sim.\Sym.	Sigla\Item	Funzione\Use Type	Sim.\Sym.	Sigla\Item	Funzione\Use Type	Sim.\Sym.	Sigla\Item	Funzione\Use Type	Sim.\Sym.	Sigla\Item	Funzione\Use Type	Sim.\Sym.	Sigla\Item	Funzione\Use Type	Sim.\Sym.	Sigla\Item	Funzione\Use Type			
	FU1 =06 2	Brush fuse		SB1 =06 2	Brush button																								
	FU2 =06 2	Suction fuse		SB2 =06 2	Suction button																								
	FU3 =06 2	Auxiliary fuse		YV1 =06 2	Water electrovalve																								
	GB1 =06 2	12V Battery																											
	HL1 =06 2	Battery led																											
	KM1 =06 2	Brush relè																											
	KM2 =06 2	Suction relè																											
	MD1 =06 2	Brush motor																											
	MD2 =06 2	Suction motor																											
	S1 =06 2	Terminal switch brush motor																											
	S2 =06 2	Brush enable switch																											

Dis. N.	Impianto	Ordine	FOGLIO
C.A.D. <input type="text" value="SPAC"/>	Denominazione	Commissio	3
Nome File		Esecutore	SEGUE
Data			4

Ref. K	Part N.	Customer Part N.	Description	Qty	Validity: From To	Price
FU1	MEVR42990		FUSE 60A NST.	1,00		--
FU2	MEVR42990		FUSE 60A NST.	1,00		--
FU3	MEVR01316		FUSE A LAMA 10 A. 32V	1,00		--
HL1	MECB01067		WIRING LED CT25	1,00		--
KM1	METT00080		CONTACTOR E TL 10P 12V 100A	1,00		--
KM2	MECI00408		RELAY FITRE	1,00		--
MD1	MOCC00338		MOTOR 12V - 550W	1,00		--
MD2	MOCC00337		MOTOR 12V	1,00		--
S2	MEVR01732		HANDLE CT25	1,00		--
SB1	MECI00346		SWITCH TTR/L BIP. 24V	1,00		--
SB2	MECI00346		SWITCH TTR/L BIP. 24V	1,00		--
YV1	MEEV00028		SOLENOID VALVE	1,00		--