



**IPC Integrated Professional Cleaning**

**IPC Gansow**

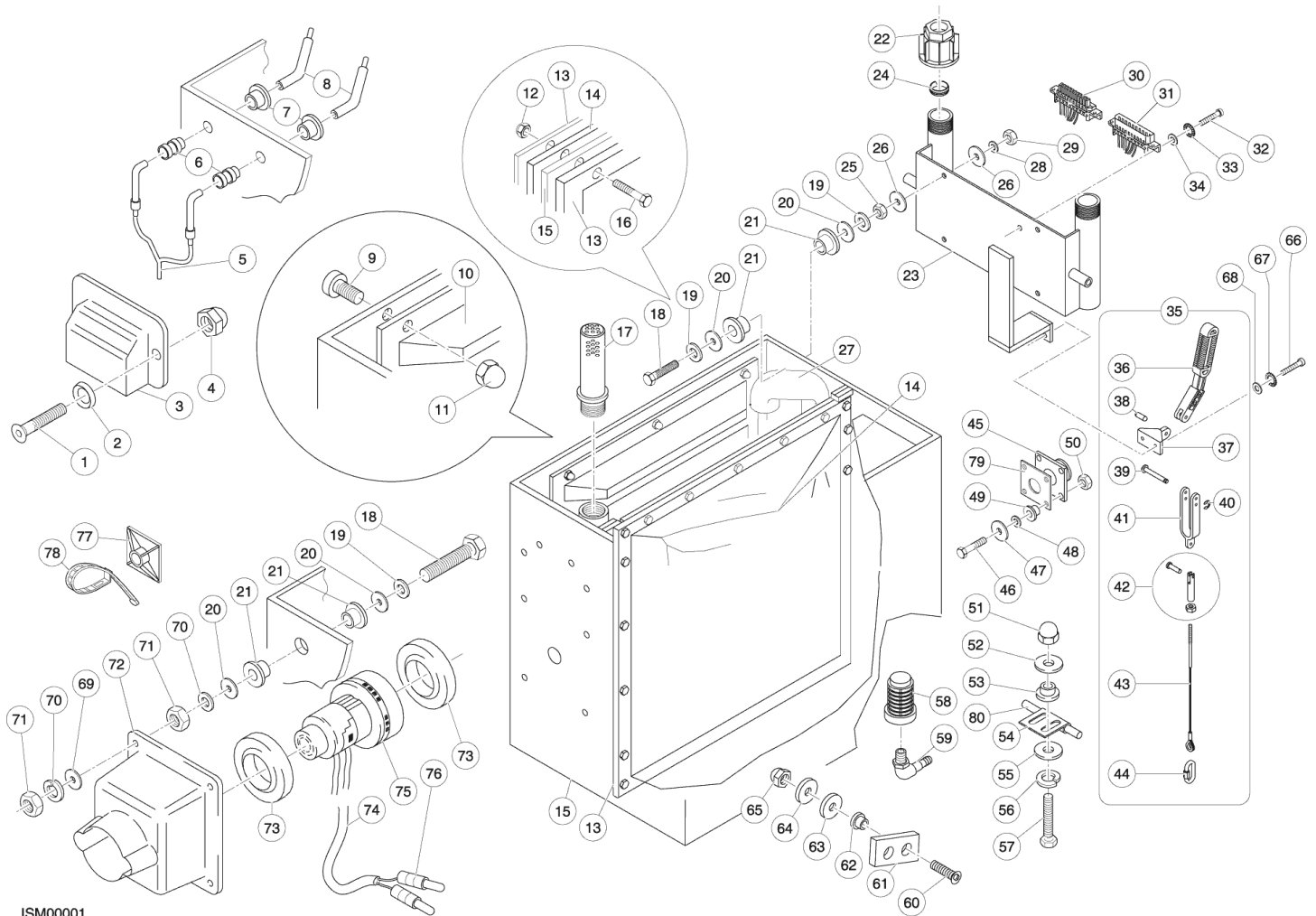
## **Spare Parts List**

**IPC . EAGLE**

**Ref: LPTB01089**

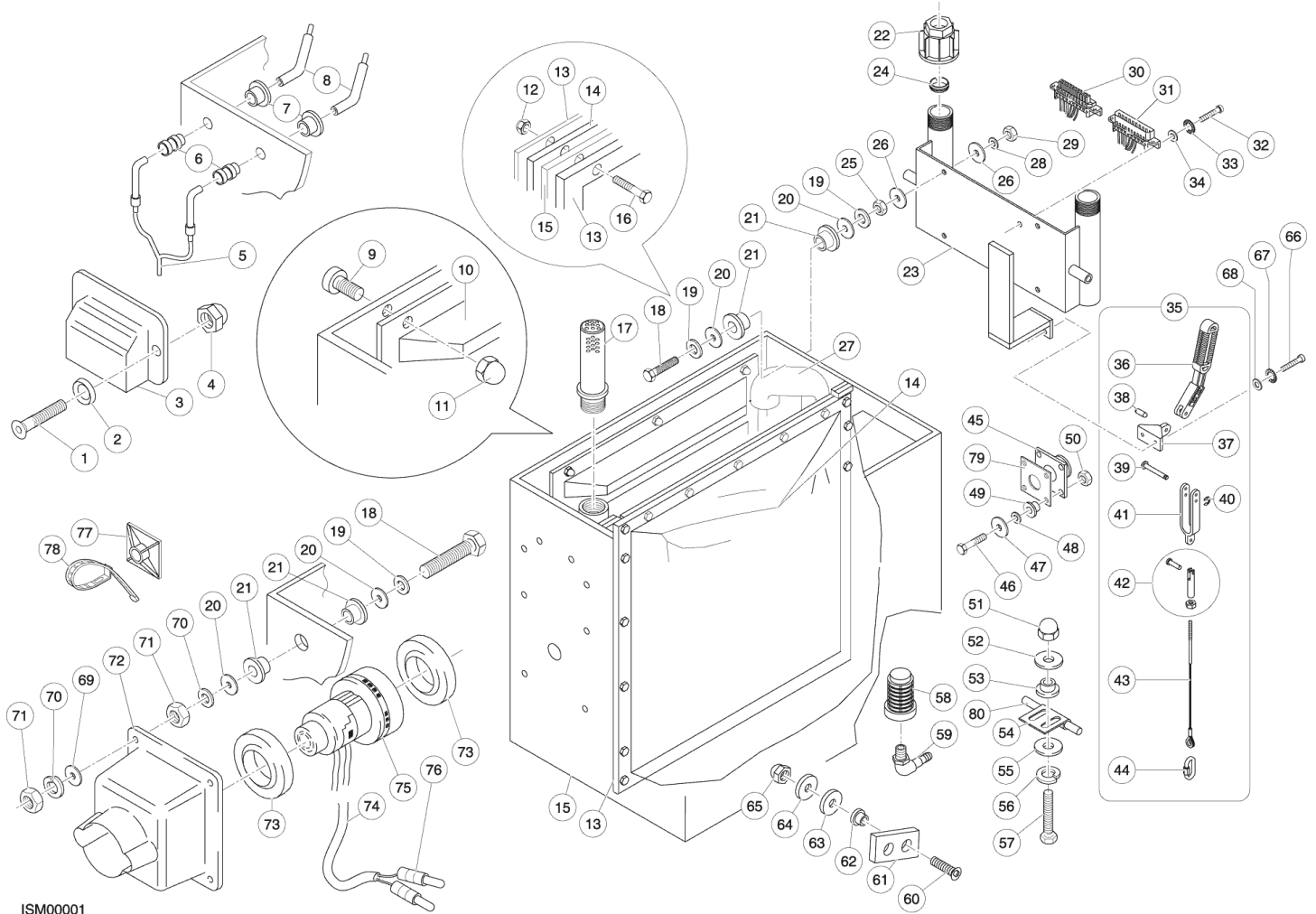
**Model: LAVASCIUGA 62 B 53 - PAD**

**3-01GSW**



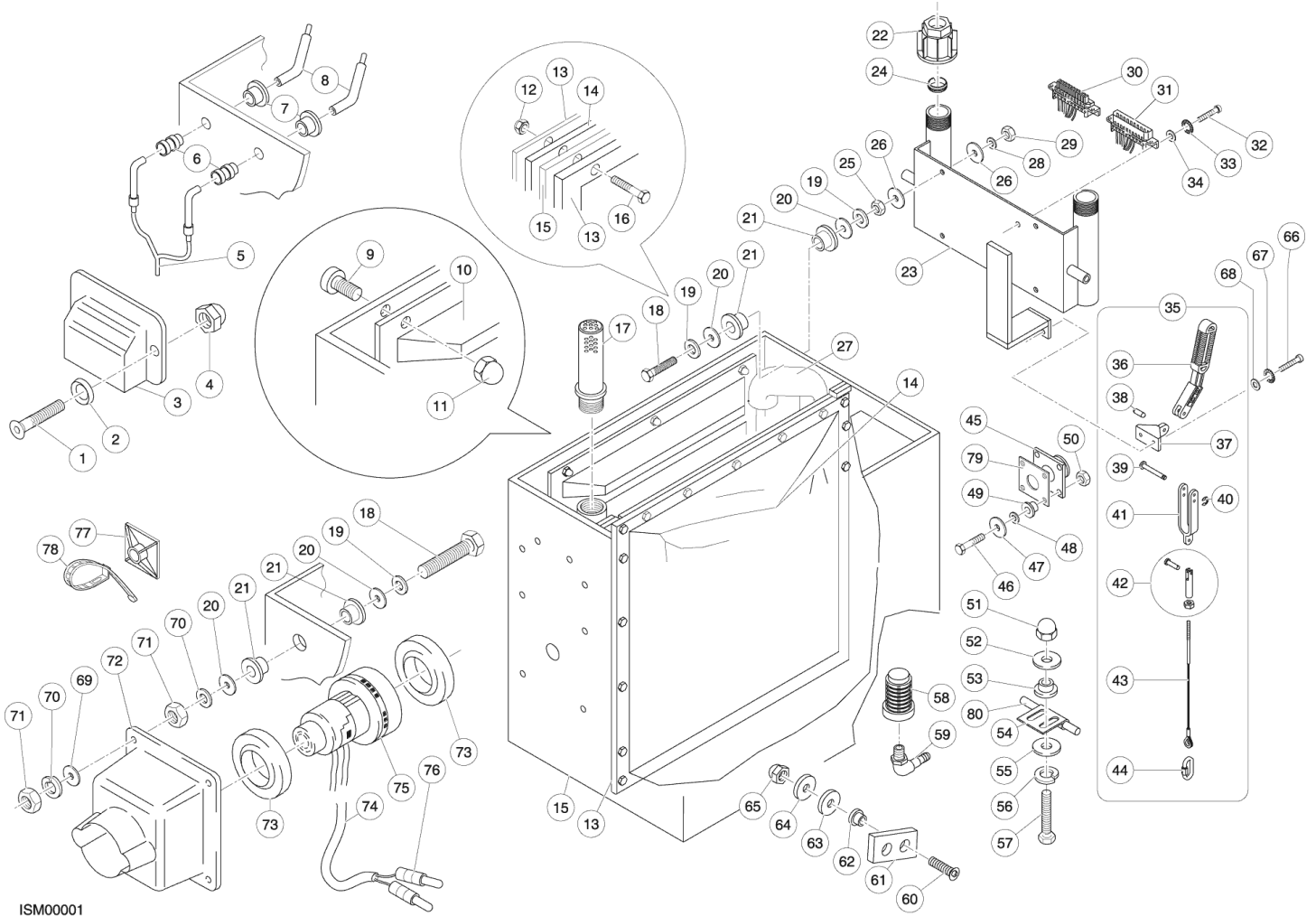
ISM00001

Ref.	K	Part N.	Customer Part N.	Description	Qty	Validity: From To	Price
0001		VTVT13941		SCREW M5x16 TSPEI UNI 5933	2,00	--	--
0002		VTRS00060		WASHER D.5,3x14,5x3,2	2,00	--	--
0003		MPVR01135		COVER	1,00	--	--
0004		VTDD14407		NUT M 5 INX A2	2,00	--	--
0005		MEVR00239		CABLE L=1,60mt(DM=2,11)	1,00	--	--
0006		MEVR00161		CABLE CLAMP PG7 H 1007	2,00	--	--
0007		GUVR00034		GASKET electrodes	2,00	--	--
0008		MECI00386		ELECTRODE 62-88-70-97-119	2,00	02/2004	--
0009		VTVT00415		SCREW TTCE M6x16 inox	22,00	--	--
0010		MPVR01578		BULKWARD RENFORCE	2,00	--	--
0011		VTDD48188		NUT M 6 CIE. INX A2 UNI 5721	22,00	--	--
0012		VTDD48188		NUT M 6 CIE. INX A2 UNI 5721	30,00	--	--
0013		LAFN01423		Membrane's fram62-88-142	1,00	06/2004	--
0013		LAFN10092		PLATE L=460	2,00	06/2004	--
0013		KTRI01535		GASKET 62-88-142	1,00	06/2004	--
0013		LAFN02814		PLATE L=488	2,00	06/2004	--
0014		DBDB00937		MAMBRANE 62/88	1,00	--	--
0015		MPVR01134		TANK 62	1,00	--	--
0016		VTVT15141		SCREW TE M 6X 25 UNI 5739 INX	30,00	--	--
0017		MPVR01049		FILTER AIR INLET	1,00	--	--
0018		VTVT00392		SCREW M6x35 UNI5739 inox	4,00	--	--
0019		VTRS07728		WASHER D. 6 INX	8,00	--	--
0020		VTRS13947		WASHER D. 8 INX UNI 6592	8,00	--	--
0021		VTRS00052		WASHER D.6	8,00	--	--
0022		VTVR00086		RING NUT	2,00	--	--
0023		LAFN01406		SUPPORT HANDLE 40/62	1,00	--	--
0024		PVVR00002		RING	2,00	--	--
0025		VTDD15520		NUT M 6 A2 UNI 5588 INX	8,00	--	--
0026		VTVT00416		WASHER 6x18 UNI6953 inox	8,00	--	--
0027		FSVR00018		HOSE COLLAR 180°	1,00	--	--
0028		VTRS15144		WASHER D. 6 INX GRW UNI 1751	4,00	--	--
0029		VTDD15520		NUT M 6 A2 UNI 5588 INX	4,00	--	--
0030		MEVR00394		PLUG WEIDMUELLER 10 p FEMALE	1,00	--	--
0031		MEVR00188		PLUG "WEIDMUELLER" 10p. MALE	1,00	--	--
0032		VTVT00413		SCREW TCEI M5x8 UNI5931 inox	2,00	--	--
0033		VTRS03924		WASHER D. 5 DIN 6798E	2,00	--	--
0034		VTRS00516		WASHER D. 5 INX	2,00	--	--
0035		PMVR00464		SQUEEGEE LIFTERB/BF	1,00	--	--
0036		MPVR01088		HANDLE	1,00	--	--



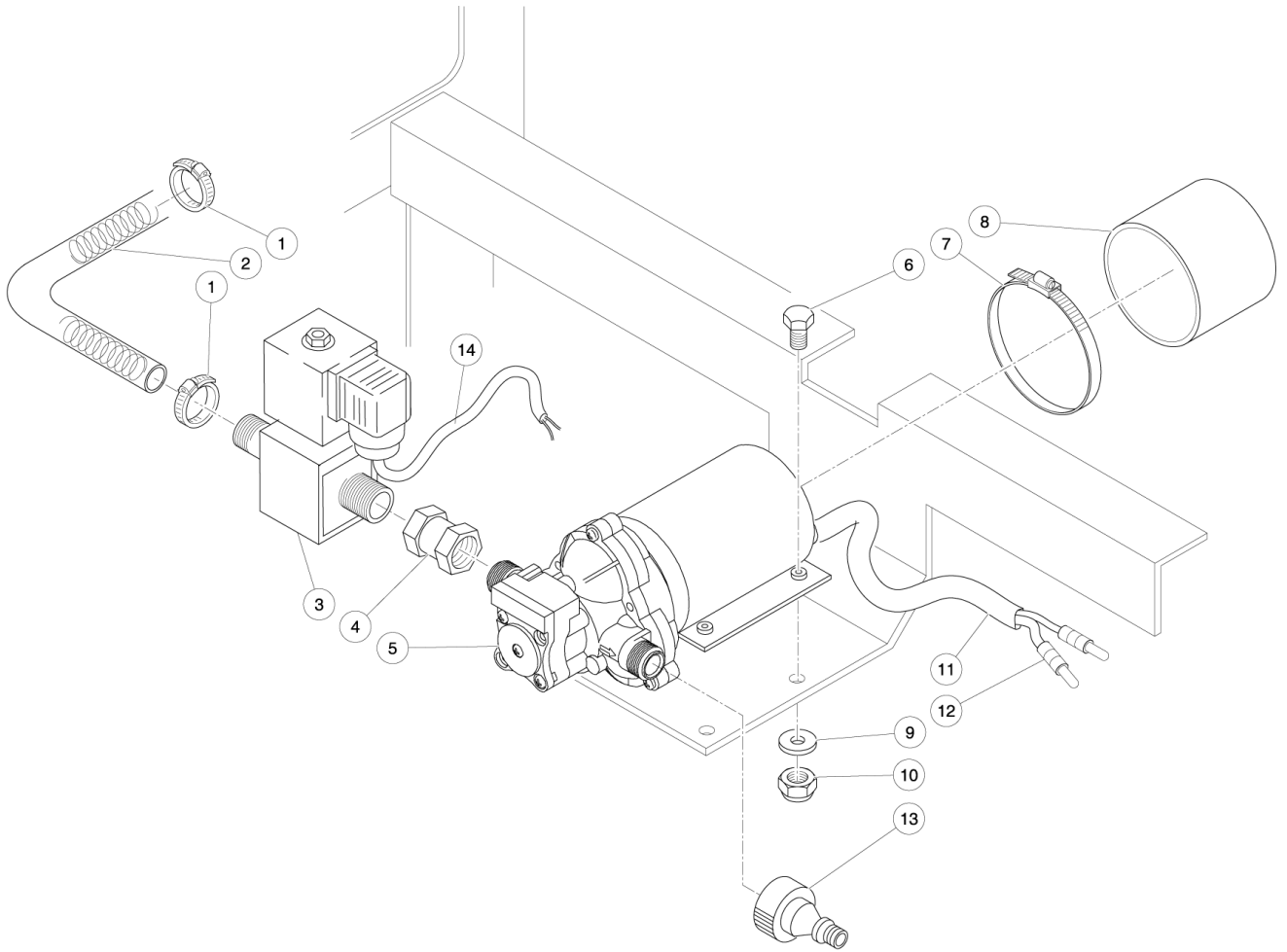
ISM00001

Ref. K	Part N.	Customer Part N.	Description	Qty	Validity:		Price
					From	To	
0037	MPVR01089		SUPPORT	1,00			--
0038	MEVR00173		PLUG M5X18 DIN1475	1,00			--
0039	LAFN01335		PIN 40x5mm	1,00			--
0040	VTRS00057		WASHER 5mm A2	1,00			--
0041	CMCV00068		FORK 3,0mm	1,00			--
0042	CMCV00070		FORK	1,00			--
0043	CMCV00077		CABLE 7X19 L=350mm	1,00			--
0044	VTVR00082		SPRING CATCH INOX 5mm	1,00			--
0045	LAFN01402		FLANGE 1 1/4" A.304	1,00			--
0046	VTVT13939		SCREW TE 6X20 UNI5739 INX	4,00			--
0047	VTRS07728		WASHER D. 6 INX	4,00			--
0048	VTRS01776		WASHER D. 8 X17 INX UNI 6593	4,00			--
0049	VTRS00052		WASHER D.6	4,00			--
0050	VTDD01694		NUT M 6 INX	4,00			--
0051	VTDD15911		NUT M8 UNI5721	3,00			--
0052	VTRS15523		WASHER D.10 X21 INOX UNI 6592	3,00			--
0053	VTRS00053		WASHER 8°	3,00			--
0054	CEVR00016		HINGE SERBATOIO	2,00			--
0055	VTRS13947		WASHER D. 8 INX UNI 6592	3,00			--
0056	VTRS00135		GROWER A8,4 UNI1751	3,00			--
0057	VTVT00410		SCREW TE M8x35 UNI5739 INOX	3,00			--
0058	FTAC00001		FILTER 1/2"	1,00			--
0059	RCVR00109		CURVE 90°	3,00			--
0060	VTVT00427		SCREW TSPEI 8X35 UNI5933 INX	2,00			--
0061	LAFN01281		BLOCK ANTIRIBALTAMEN. SERBATOIO	1,00			--
0062	VTRS00053		WASHER 8°	4,00			--
0063	VTRS01776		WASHER D. 8 X17 INX UNI 6593	2,00			--
0064	VTRS15523		WASHER D.10 X21 INOX UNI 6592	2,00			--
0065	VTDD00052		NUT M8 DIN 1587	2,00			--
0066	VTVT00428		SCREW TCEI 6X20 UNI5931 INX	2,00			--
0067	VTRS15144		WASHER D. 6 INX GRW UNI 1751	2,00			--
0068	VTVT00416		WASHER 6x18 UNI6953 inox	2,00			--
0069	VTRS16937		WASHER 6x24 INOX UNI 6593	4,00			--
0070	VTRS15144		WASHER D. 6 INX GRW UNI 1751	4,00			--
0071	VTDD15520		NUT M 6 A2 UNI 5588 INX	4,00			--
0072	MPVR01136		PROTECTION VACUUM	1,00			--
0073	GUVR00027		RING VACUUM	2,00			--
0074	CMCV00058		CABLE L= 1 Mt	1,00			--
0075	MOMO00014		TURBINE 24V	1,00			--



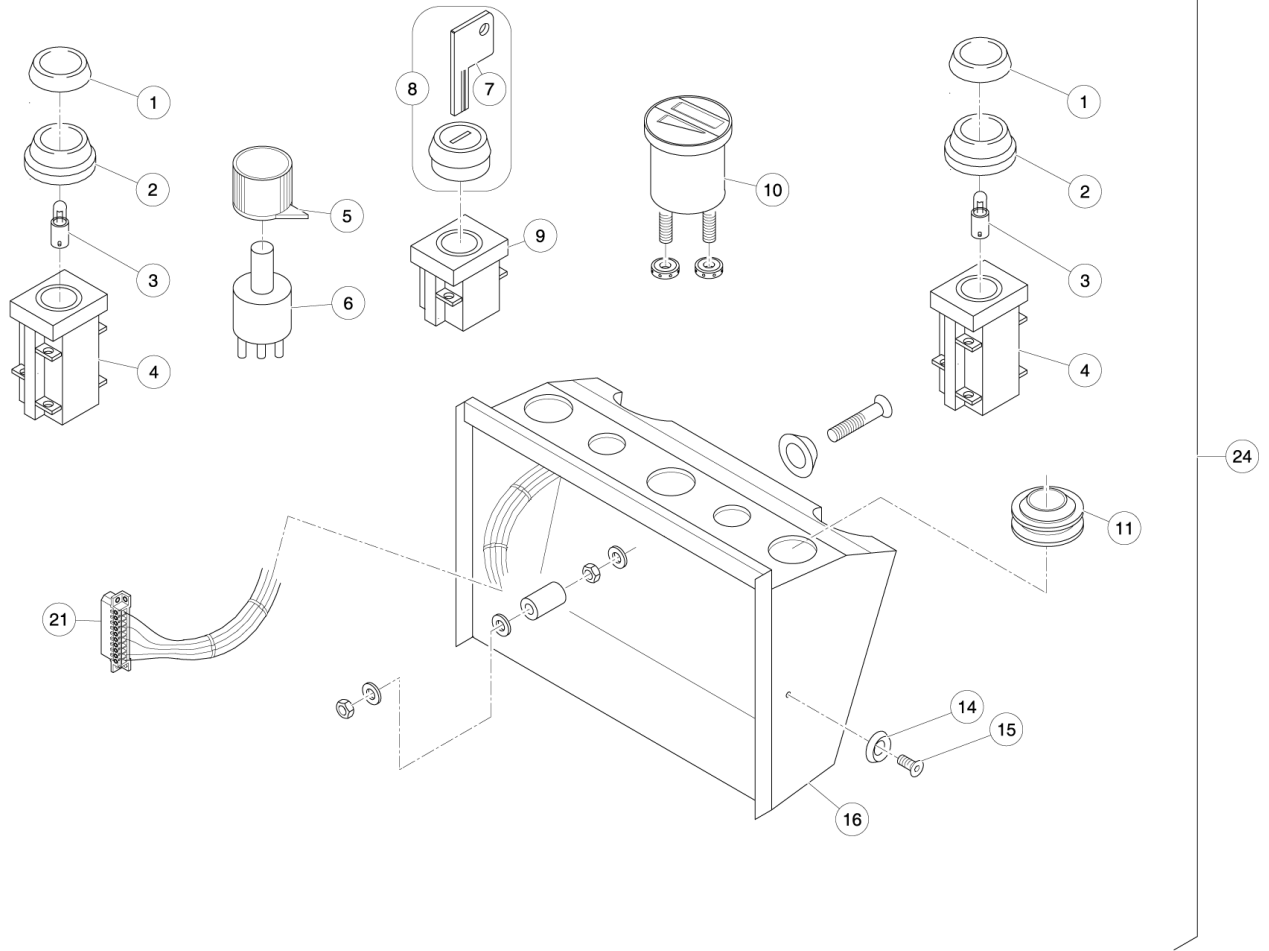
ISM00001

Ref.	K	Part N.	Customer Part N.	Description	Qty	Validity:		Price
						From	To	
0076		MEVR00748		CONNECTOR D.5 BLU	2,00	02/2004		--
0077		MECE00246		TERMINAL BOARD 25X25	4,00			--
0078		FSVR00050		CLAMP 3,5X140	4,00			--
0079		GUVR01006		GASKET	1,00	06/2004		--
0080		LAFN01354		ROD L=335	1,00			--
0081		CMCV00084		CABLE 9 x 1,5	1,00			--



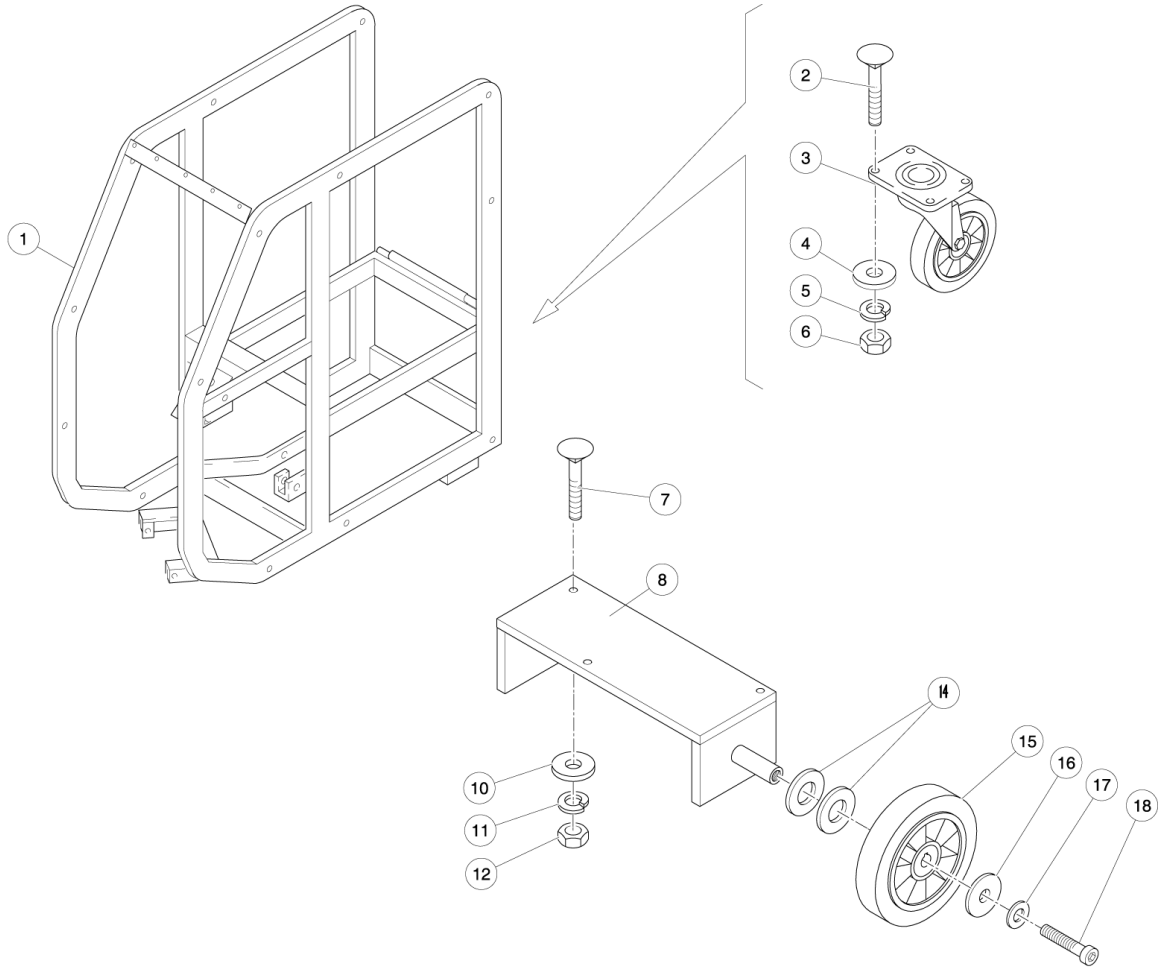
ISM00002

Ref. K	Part N.	Customer Part N.	Description	Qty	Validity:		Price
					From	To	
0001	MEVR00372		CLAMP 18,2 - 20,5	2,00			--
0002	TBBP00045		TUBE PVC 13X18	1,00			--
0003	MECI00073		SOLENOID VALVE 24V 3/8"	1,00			--
0004	RCVR00278		REDUCTION 1/2"F-3/8"F	1,00	11/2003		--
0005	PPBP00008		PUMP 24V	1,00			--
0006	VTVT06235		SCREW TE 6X30 UNI5739 8.8	4,00			--
0007	FSVR00052		CLAMP 2,5X100	4,00			--
0008	MPVR01098		CAP PUMP	1,00			--
0009	VTRS63231		WASHER D. 6 X18	4,00	11/2003		--
0010	VTDD00043		NUT M6 UNI7473	4,00			--
0011	MEVR01649		SHEATH D.12	0,40			--
0012	MEVR00318		CABLE 2x1,5 L=1,40 mt	1,00	05/2004		--
0013	RCVR00103		JOINT R 1/2"	1,00			--
0014	DBDB00909		CABLE	1,00			--



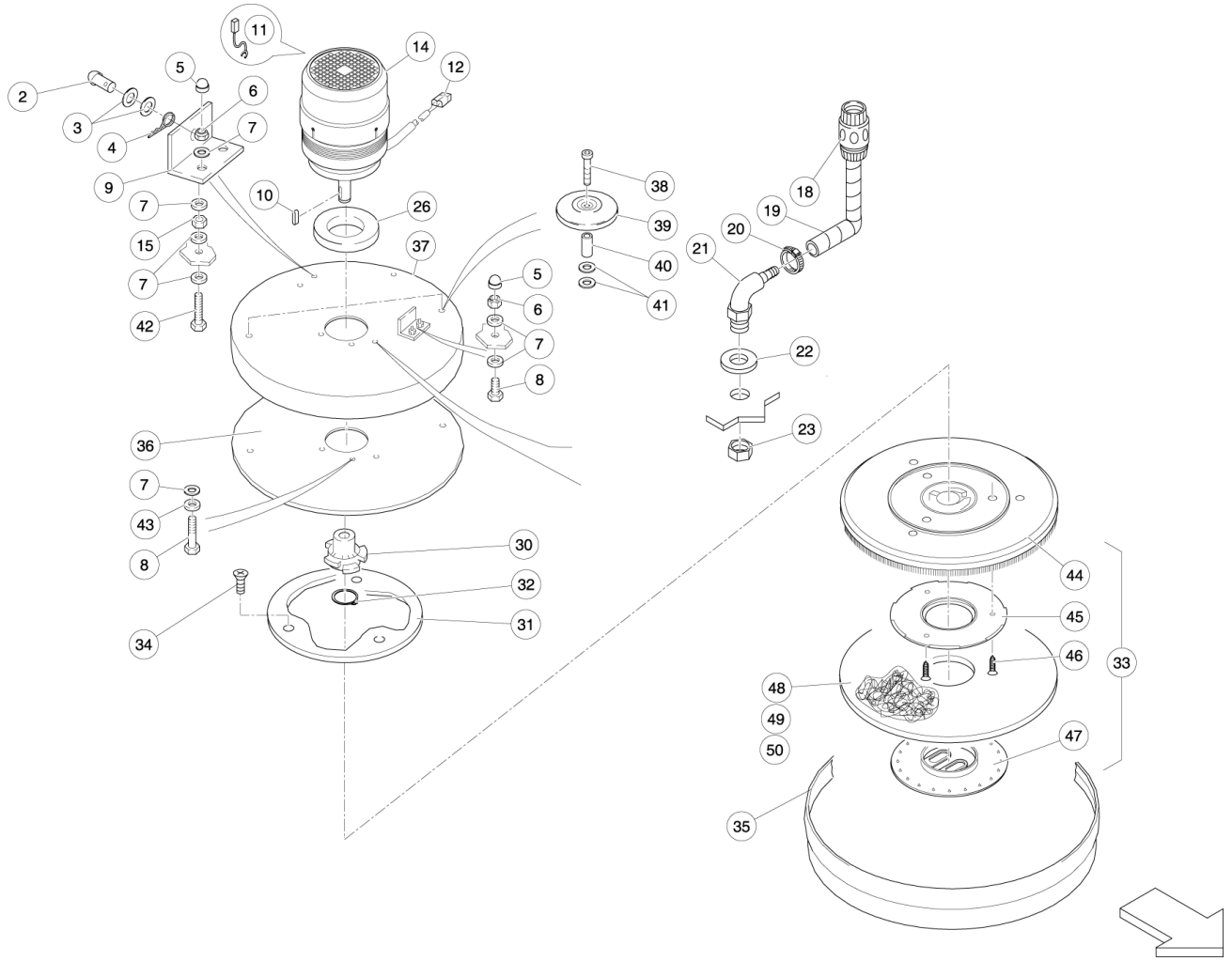
ISM00024

Ref. K	Part N.	Customer Part N.	Description	Qty	Validity:		Price
					From	To	
0001	MPVR01061		PROTECTION INTERR.	2,00			--
0002	MECI00051		SWITCH GREEN	2,00			--
0003	MEVR00193		LAMP 24V 1,2W	2,00			--
0004	LAFN01300		FRUIT X INT.	2,00			--
0005	MPVR01118		KNOB POTENTIOMETER	1,00			--
0006	MECI00046		POTENTIOMETER 24V 22KOhm	1,00			--
0007	AZMC00007		DIASASS.SPANNERSCRUBBER AND 105/125/130B	1,00			--
0008	MECE00047		SELECTOR 0°-45°	1,00			--
0009	MECE00046		FRUIT SELECT.	1,00			--
0010	MESB00025		HOUR-COUNTER BAUSER 24V TYPO 855 24VDC	1,00	02/2004		--
0011	GUVR00035		GASKET HANDLE	2,00			--
0014	VTRS00060		WASHER D.5,3x14,5x3,2	2,00	09/2003		--
0015	VTVT00424		SCREW M 5X 45 TSPEI UNI 5933	2,00			--
0016	MPVR01608		INSTR.PANEL 62 B 53/65	1,00			--
0019	LAFN01451		PLATE	1,00			--
0021	MEVR00188		PLUG "WEIDMUELLER" 10p. MALE	1,00			--
0024	MPVR01156		INSTR.PANEL COMPLETE FOR 62 MODEL	1,00			--



ISM00026

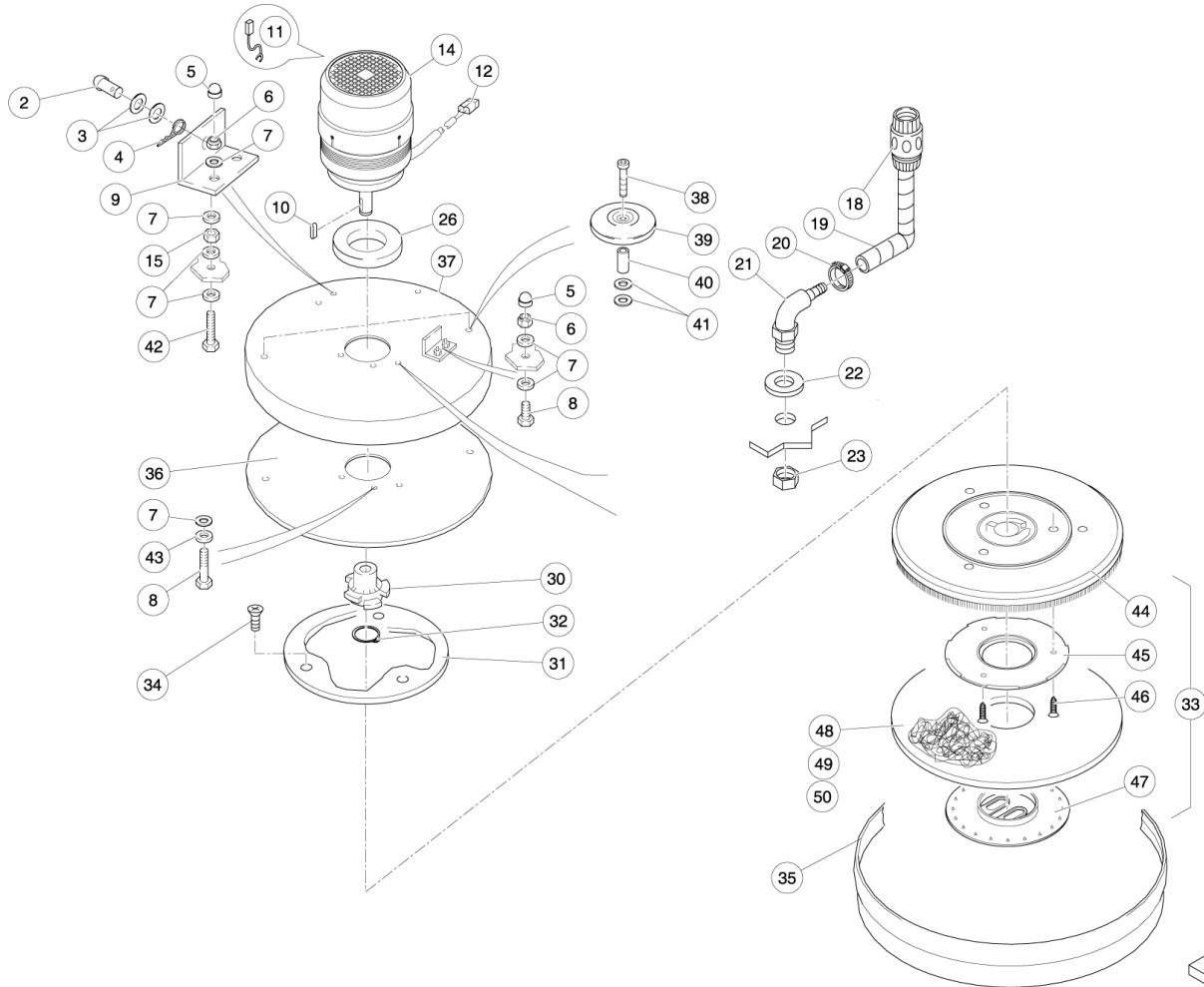
Ref. K	Part N.	Customer Part N.	Description	Qty	Validity:		Price
					From	To	
0001	LAFN01432		FRAME 40/62 B/BF	1,00			--
0002	VTVT00154		SCREW TTQS M8x20 DIN603 znt	4,00			--
0003	RTRT00063		WHEEL D.125 BZFK125GR0001	1,00			--
0004	VTRS00513		WASHER D. 8 X32 P.	4,00			--
0005	VTRS01080		WASHER D. 8 GRW	3,00			--
0006	VTDD00483		NUT M 8 ZIN UNI 5588	3,00	11/2003		--
0007	VTVT00155		SCREW TTQS M8x25 DIN603 ZNT	3,00			--
0008	LAFN01425		AXLE 40/62	1,00			--
0012	VTDD00483		NUT M 8 ZIN UNI 5588	4,00	11/2003		--
0014	VTRS00506		WASHER D.12 UNI 6592	4,00			--
0015	RTRT00066		WHEEL 200x50	2,00			--
0016	VTRS00044		WASHER 30x6x3	2,00			--
0017	VTRS01079		WASHER D. 6 GROWER	2,00	11/2003		--



ISM00060

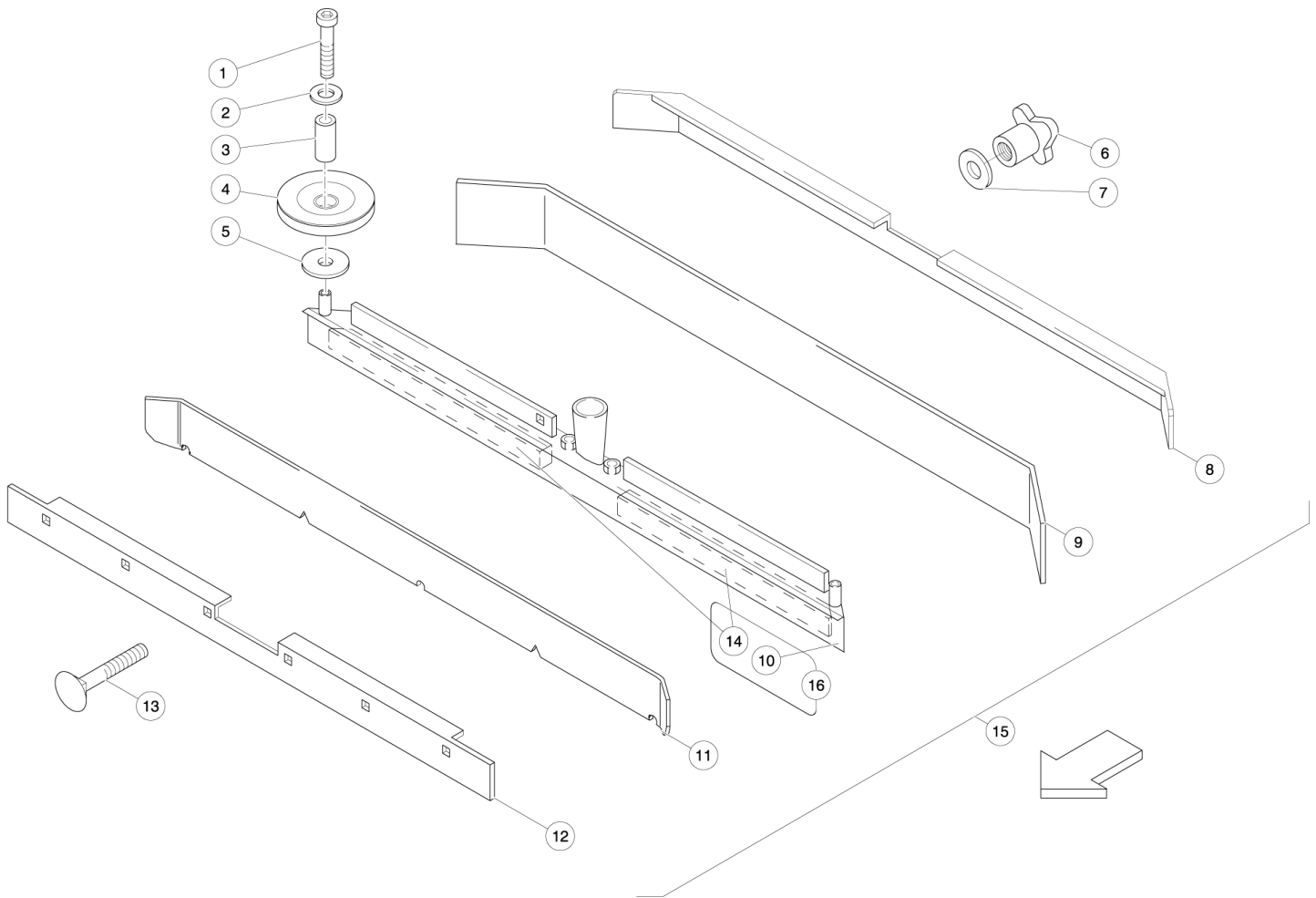
Ref. K	Part N.	Customer Part N.	Description	Qty	Validity: From To	Price
0002	LAFN01253		PIN 12x40	2,00	--	--
0003	VTRS00506		WASHER D.12 UNI 6592	4,00	--	--
0004	VTVR00061		SPLIT PIN D.3,2 B	2,00	--	--
0005	MPVR01575		NUT COVER 130-08-17	4,00	--	--
0006	VTDD01695		NUT M 8 INX	4,00	--	--
0007	VTRS13947		WASHER D. 8 INX UNI 6592	8,00	--	--
0008	VTVT13937		SCREW TE M 8X 30 INX UNI 5739	6,00	--	--
0009	LAFN01532		CORNER PIECE 53	2,00	--	--
0010	VTRS00080		WASHER	1,00	--	--
0012	MEVR00152		CONNECTOR SB 50A	2,00	--	--
0014	MOCC00045		MOTOR MRP5V24 W650 G200	1,00	--	--
0018	RCVR00104		JOINT 1/2"	1,00	--	--
0019	TBBP00045		TUBE PVC 13X18	0,52	--	--
0020	MEVR00372		CLAMP 18,2 - 20,5	1,00	--	--
0021	RCVR00109		CURVE 90°	3,00	--	--
0022	VTRS63255		WASHER COPPER 1/2'	2,00	--	--
0023	MEVR01906		LOCKNUT 1/2"	2,00	--	--
0026	PVVR00005		RING	1,00	--	--
0028	VTRS00139		WASHER 18x25x0,3 DIN 988	2,00	--	--
0029	VTRS00061		WASHER 18x25x0,1 DIN 988	2,00	--	--
0030	MFVR00030		HUB	1,00	--	--
0031	GUVR00031		RING	1,00	--	--
0032	VTAE00018		SEEGER E25x1,2 DIN471	1,00	--	--
0033	SPPV00145		DISC 53	1,00	--	--
0034	VTVT00421		SCREW TSPIC 2,9x22 UNI6955 inox	3,00	--	--
0036	LAFN01458		PLATE BRUSH	1,00	--	--
0037	MPVR00982		HEAD 53	1,00	--	--
0038	VTVT01124		SCREW TCEI 10X35 UNI5931	2,00	--	--
0039	RTRT00049		BUMPER HEAD - SQUEEGEE	2,00	--	--
0040	LAFN01316		BUSHING 15/2X5x17,2 mm M10	2,00	--	--
0041	VTRS15523		WASHER D.10 X21 INOX UNI 6592	4,00	--	--
0042	VTVT00410		SCREW TE M8x35 UNI5739 INOX	2,00	--	--
0043	VTRS15146		WASHER D. 8 INX GRW UNI 1751	2,00	--	--
0044	LAFN02631		FLAT BRUSH D.530/530	1,00	--	--
0045	LAFN01323		CLAMP	1,00	--	--
0046	VTVT00296		SCREW TSPIC 3,9x16 UNI6955 ZNT	3,00	--	--
0047	GUVR00029		CIRCLIP	1,00	--	--
0048	SPPV00290		DISC YELLOW 40	1,00	--	--
0049	SPPV00291		DISC GREEN 40	1,00	--	--





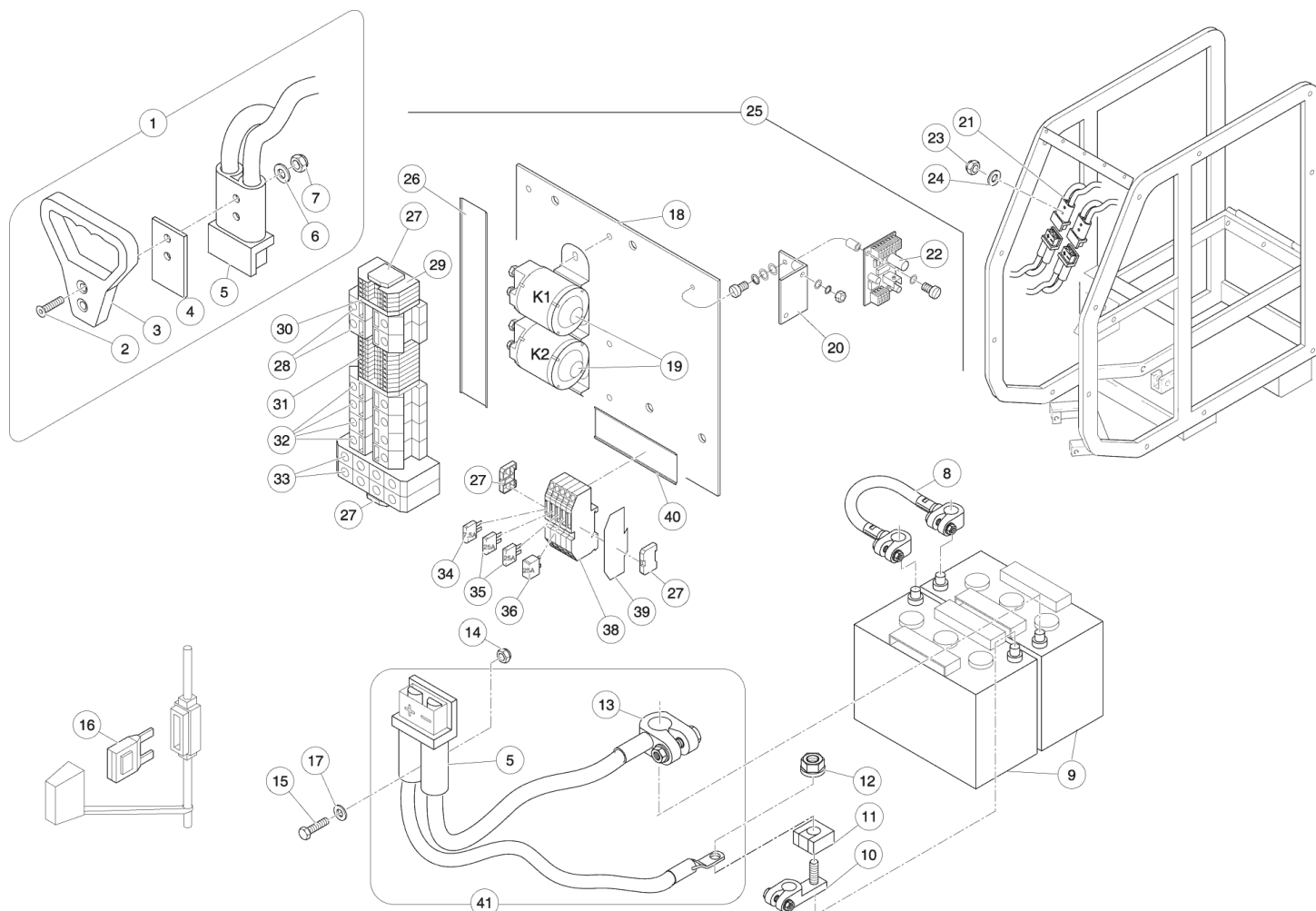
ISM00060

Ref. K	Part N.	Customer Part N.	Description	Qty	Validity:		Price
					From	To	
0050	SPPV00292		DISC BLACK 40	1,00			--



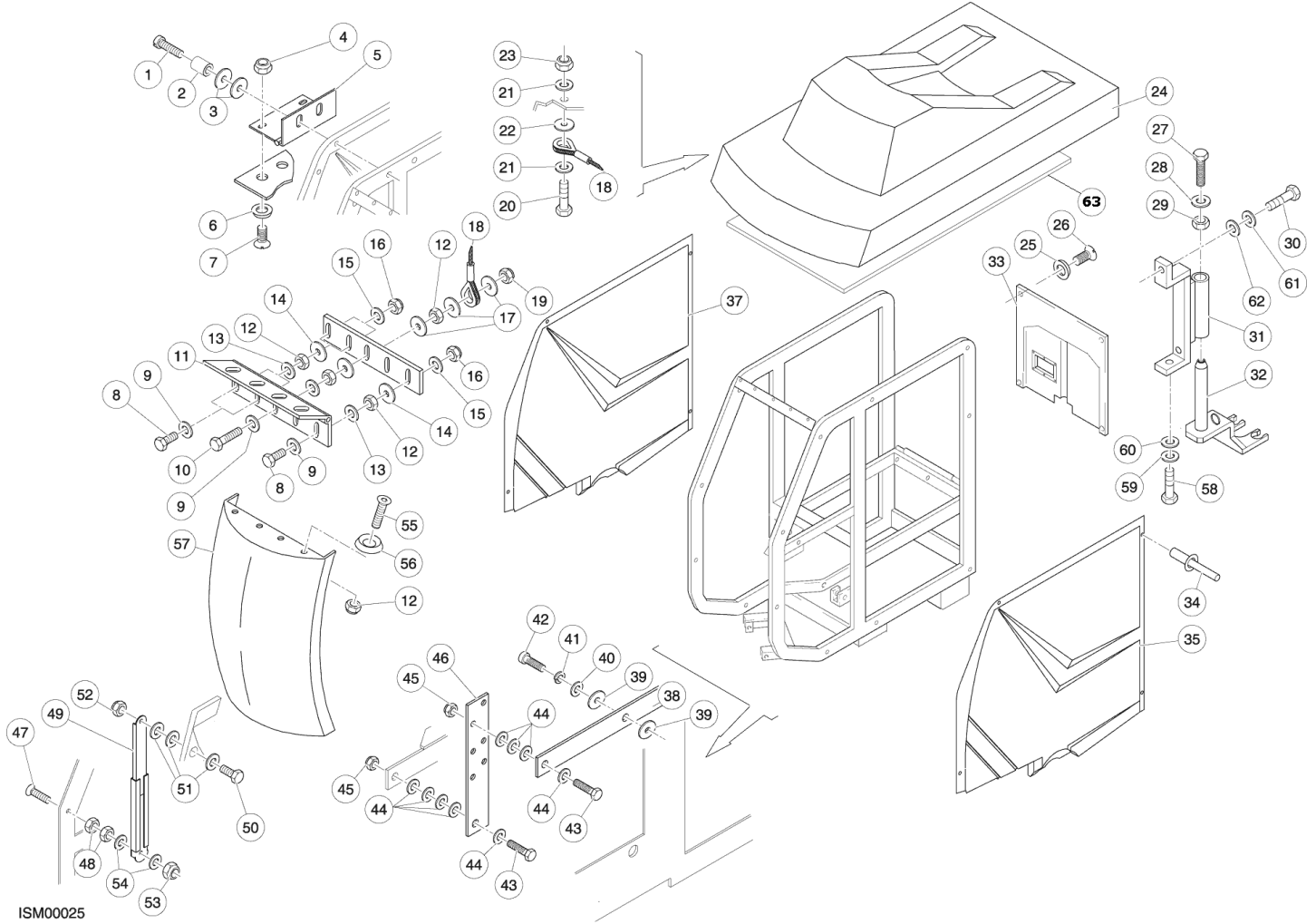
ISM00006

Ref. K	Part N.	Customer Part N.	Description	Qty	Validity:		Price
					From	To	
0001	VTVT00411		SCREW TCEI M10x35 UNI5931	2,00			--
0002	VTRS00505		WASHER D.10 TE UNI 6592	2,00	11/2003		--
0003	LAFN01316		BUSHING 15/2X5x17,2 mm M10	2,00			--
0004	RTRT00049		BUMPER HEAD - SQUEEGEE	2,00			--
0005	VTRS00059		WASHER 35x10,5x3	2,00			--
0006	VTVT00199		HANDWHEEL VB 693/63B-M8	4,00			--
0007	VTRS13947		WASHER D. 8 INX UNI 6592	4,00			--
0008	LAFN01511		CORNER PIECE SQUEEGEE 65	1,00			--
0009	MPVR01069		RUBBER SQUEEGEE 53	1,00			--
0010	DBDB00889		BODY SQUEEGEE 53	1,00			--
0011	LAFN01508		CORNER PIECE	1,00			--
0012	LAFN01507		CORNER PIECE	1,00			--
0013	VTVT01305		SCREW M 8X 60 TTQST UNI 5731	4,00			--
0014	MIVR00041		FILLER	2,00			--
0015	MPVR00475		COVER L20 VERDE	1,00			--



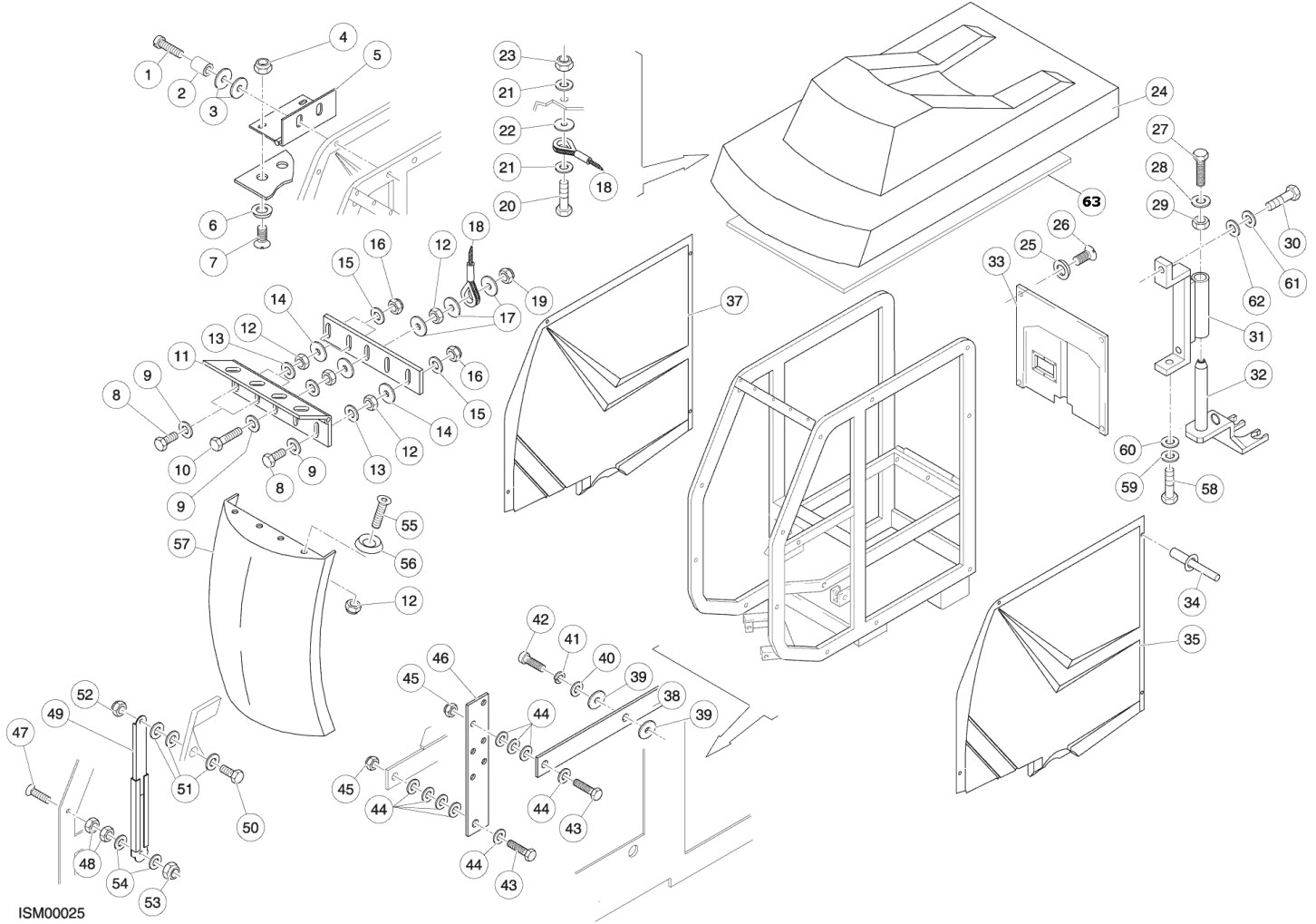
ISM00035

Ref.	K	Part N.	Customer Part N.	Description	Qty	Validity:		Price
						From	To	
0001		PMQE00146		CABLE BATTERY COMPLETE	1,00			--
0002		VTVT26818		SCREW M6x45 TSPEI UNI5933	2,00			--
0003		MPVR01072		HANDLE SB 175 A	1,00			--
0004		LAFN01322		PLATE	1,00			--
0005		MEVR00340		CONNECTOR SR 175A-24V	1,00			--
0006		VTRS07728		WASHER D. 6 INX	4,00			--
0007		VTDD01694		NUT M 6 INX	2,00			--
0008		MEVR00385		CABLE BATTERY 2X12V	1,00	07/2004		--
0009		BAAC00024		BATTERY 12V-100AH	2,00			--
0010		MEVR00337		CLAMP POS.	1,00			--
0011		MEVR00330		FUSE CF8 100A	1,00			--
0012		VTDD00030		NUT INSUL. CF 8	1,00			--
0013		MEVR00160		CLAMP NEG.	1,00			--
0014		VTDD08171		NUT M 5 TEF	2,00			--
0015		VTVT00412		SCREW TSPEI M5x40 UNI5933 inox	2,00			--
0016		MEVR00564		FUSE 2A	1,00			--
0017		VTRS07728		WASHER D. 6 INX	4,00			--
0019		MECI00115		CONTACTOR 24V-100A	2,00			--
0020		LAFN01491		BRACKET	1,00			--
0021		CMCV00083		CABLE	1,00			--
0022		MECE00092		PCB ANTIFOAMING PUMP 24V	1,00			--
0023		VTDD04369		NUT M 4 TEF UNI 7473	4,00			--
0024		VTRS00103		WASHER 4,3x9 UNI6592 TE M4	4,00			--
0025		LAFN01352		PLATE ELECTR. 62B53	1,00			--
0026		MEVR62076		BAR OMEGA EN 35	0,24			--
0027		LAFN01302		BLOCK	4,00			--
0028		MEVR00225		CLAMP CLAMP 6 MM	3,00			--
0029		MEVR00224		CLAMP 2,5mm	6,00			--
0030		MEVR00226		SEPARATOR CLAMP	1,00			--
0031		MEVR00224		CLAMP 2,5mm	8,00			--
0032		MEVR00349		CLAMP CLAMP 10 MM	4,00			--
0033		MEVR00355		CLAMP Art.284-621	2,00			--
0034		MEVR00585		FUSE 7,5 A	1,00			--
0035		MEVR00335		FUSE RESETTABLE 25A -ETA-	2,00			--
0036		MEVR00379		FUSE RESETTABLE 25A -ETA-	1,00			--
0038		MEVR00368		CLAMP	4,00			--
0039		MEVR00369		SEPARATOR CLAMP	1,00			--
0040		MEVR62076		BAR OMEGA EN 35	0,10			--
0041		PMQE00168		CABLE	1,00			--



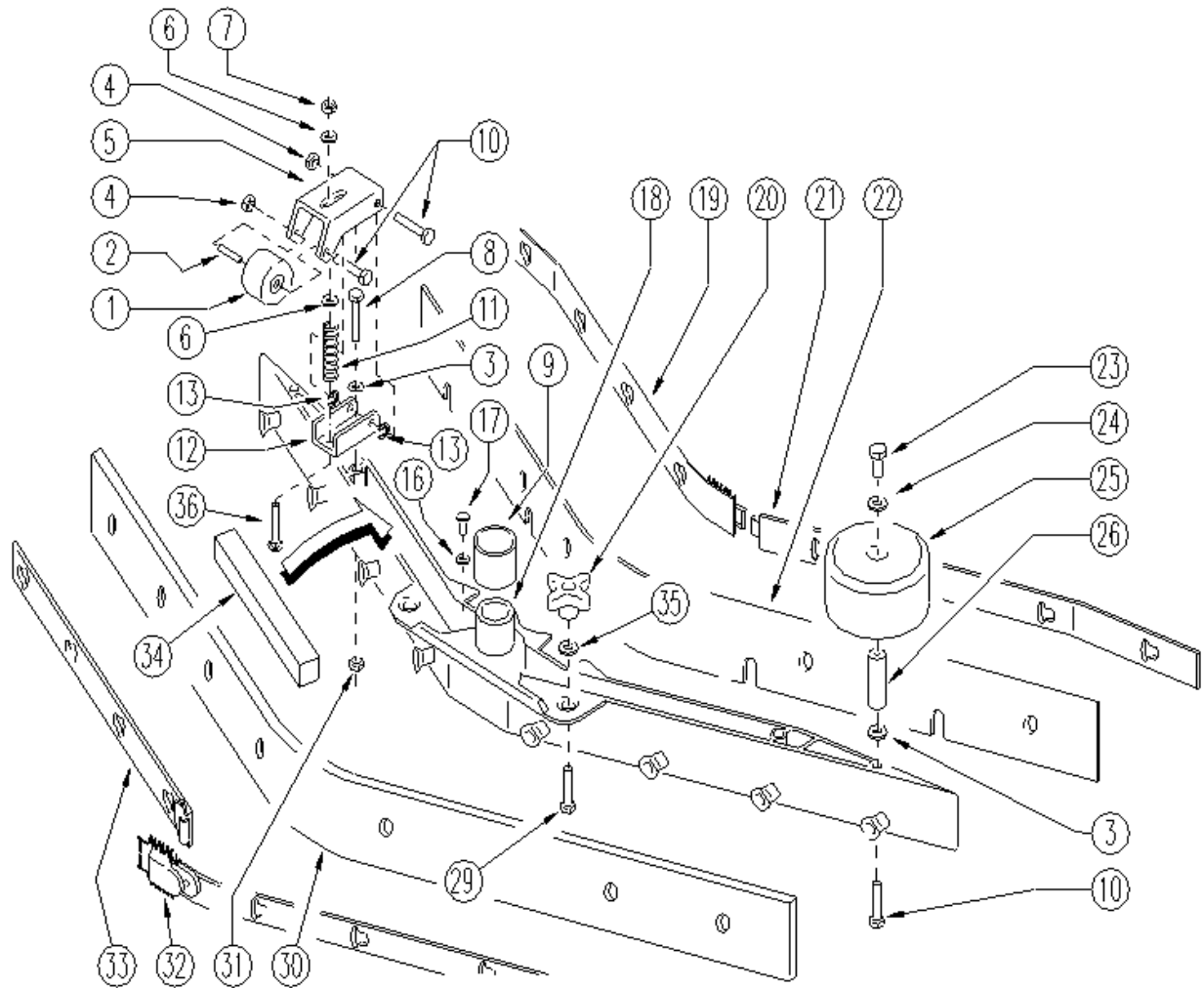
ISM00025

Ref.	K	Part N.	Customer Part N.	Description	Qty	Validity:		Price
						From	To	
0001		VTVT00415		SCREW TTCE M6x16 inox	4,00			--
0002		LAFN01250		SPACER TANK	4,00			--
0003		VTVT00416		WASHER 6x18 UNI6953 inox	8,00			--
0004		VTDD00040		NUT M5 UNI7474	4,00			--
0005		CEVR00018		HINGE 80x80x1,5 mm	2,00			--
0006		VTRS00060		WASHER D.5,3x14,5x3,2	4,00			--
0007		VTVT15937		SCREW TSPEI 5X20 UNI5933 INX	4,00			--
0008		VTVT14063		SCREW TE M 6x14 ZNT UNI 5739	3,00			--
0009		VTRS00122		WASHER 5,3x10 UNI6592 M5	9,00			--
0010		VTVT00399		SCREW TE M5x30 UNI 5739	1,00			--
0011		CEVR00021		HINGE 26/38/40/62	1,00			--
0012		VTDD08171		NUT M 5 TEF	6,00			--
0013		VTRS00011		WASHER UNI 6592 6X12 ZB	3,00			--
0014		VTRS00110		WASHER 5,5x15	8,00			--
0015		VTRS00122		WASHER 5,3x10 UNI6592 M5	3,00			--
0016		VTDD08171		NUT M 5 TEF	3,00			--
0017		VTRS00110		WASHER 5,5x15	3,00			--
0018		CMCV00071		CABLE L=385 26/40/53/62	1,00			--
0019		VTDD08171		NUT M 5 TEF	1,00			--
0020		VTVT00415		SCREW TTCE M6x16 inox	1,00			--
0021		VTRS07728		WASHER D. 6 INX	2,00			--
0022		VTVT00416		WASHER 6x18 UNI6953 inox	1,00			--
0023		VTDD13942		NUT M 6 UNI 5587 INX	1,00			--
0024		DBDB00925		COVER COMPLETE 62	1,00			--
0025		VTRS00060		WASHER D.5,3x14,5x3,2	4,00			--
0026		VTVT00234		SCREW TSPEI M5x16 UNI5933	4,00			--
0027		VTVT05759		SCREW TE M 10X 70 ZINC.UNI 5739	1,00			--
0028		VTRS00111		WASHER 11X30 UNI6593	1,00			--
0029		VTDD00484		NUT M10 ZIN UNI 5588	1,00			--
0030		VTVT15907		SCREW TE 8X25 UNI5739 INX	1,00			--
0031		LAFN01486		SUPPORT SQUEEGEE	1,00			--
0032		LAFN01389		CORNER PIECE 40/62/70/97/119	1,00			--
0033		MEVR00401		PANEL 40/62	1,00			--
0034		VTVR00063		RIVET 4x12	4,00			--
0035		MPVR01026		BODY SIDE LEFT	1,00			--
0037		MPVR01025		BODY SIDE RIGHT	1,00			--
0038		LAFN01276		PEDALE ALZA SPAZZOLA 40-62	1,00			--
0039		VTRS00507		WASHER D.14 UNI 6798	2,00			--
0040		VTRS13947		WASHER D. 8 INX UNI 6592	1,00			--

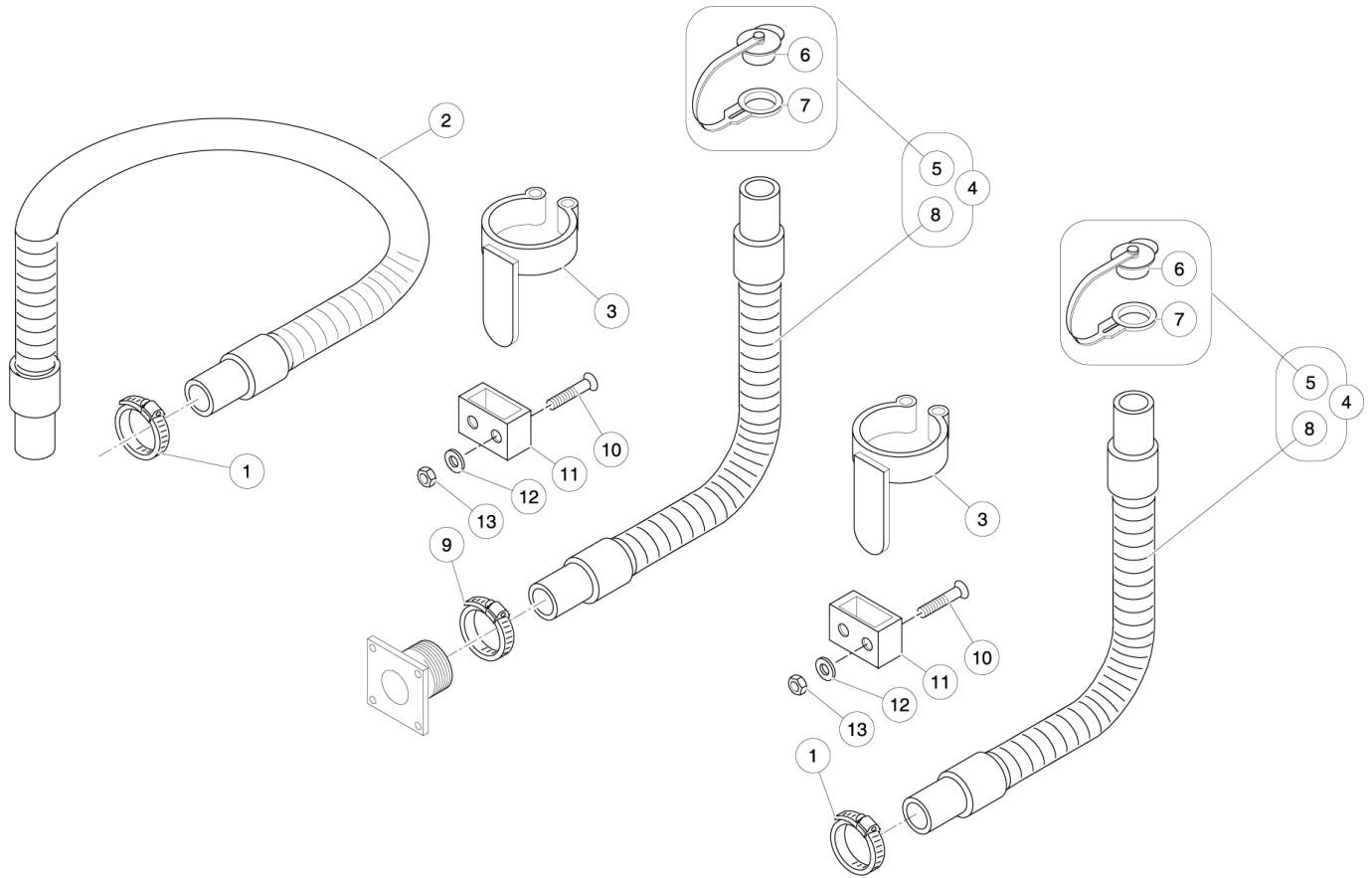


Ref. K	Part N.	Customer Part N.	Description	Qty	Validity:		Price
					From	To	
0041	VTRS00135		GROWER A8,4 UNI1751	1,00			--
0042	VTVT00405		SCREW TCEI "R" M8x25 DIN7984	1,00			--
0043	VTVT01541		SCREW TE M 10x30 INOX UNI5739	2,00			--
0044	VTRS15523		WASHER D.10 X21 INOX UNI 6592	7,00			--
0045	VTDD15519		NUT M10 INOX	2,00			--
0046	LAFN01392		BRACKET 46/53	1,00			--
0047	VTVT00299		SCREW TSPEI M6x25 UNI5933	1,00			--
0048	VTDD00482		NUT M 6 ZIN UNI 5588	2,00			--
0049	LAFN01252		ARM FRONT	1,00			--
0050	VTVT00289		SCREW TE M6x20 UNI5739	1,00			--
0051	VTRS00011		WASHER UNI 6592 6X12 ZB	3,00			--
0052	VTDD00043		NUT M6 UNI7473	1,00			--
0053	VTDD00043		NUT M6 UNI7473	1,00			--
0054	VTRS00011		WASHER UNI 6592 6X12 ZB	2,00			--
0055	VTVT00234		SCREW TSPEI M5x16 UNI5933	3,00			--
0056	VTRS00060		WASHER D.5,3x14,5x3,2	3,00			--
0057	MPVR01027		COVER FRONT 40/62	1,00			--
0058	VTVT00422		SCREW TE M 12X 30 UNI 5739	1,00			--
0059	VTRS15919		WASHER D.12 GROVER UNI 1751 INX	1,00			--
0060	VTRS15978		WASHER D.12X24 UNI 6592 INX	1,00			--
0061	VTRS15146		WASHER D. 8 INX GRW UNI 1751	1,00			--
0062	VTRS01776		WASHER D. 8 X17 INX UNI 6593	1,00			--
0063	GUVR00041		GASKET UPPER COVER TANK	1,00			--

Ref. K	Part N.	Customer Part N.	Description	Qty	Validity:		Price
					From	To	
0001	VTDD00040		NUT M5 UNI7474	4,00			--
0002	MPVR01086		COVER CURVE, HANDLE, RIGHT	1,00			--
0003	MPVR01087		COVER CURVE, HANDLE, LEFT	1,00			--
0004	LAFN01457		HANDLEBAR 40-62 B	1,00			--
0005	VTVT00185		SCREW TCEI M5x35 DIN912	4,00			--
0006	PMQE00150		HANDLEBAR COMPLETE 40/62 B	1,00			--



Ref. K	Part N.	Customer Part N.	Description	Qty	Validity: From To	Price
0001	RTRT49413		WHEEL D. 60-D.15 X36 NYL.	2,00		--
0002	LAFN04041		SPACER D6/15	2,00		--
0003	VTRS15144		WASHER D. 6 INX GRW UNI 1751	4,00		--
0004	VTDD01694		NUT M 6 INX	4,00		--
0005	LAFN05559		SUPPORT RUOTINO	2,00		--
0006	VTRS13947		WASHER D. 8 INX UNI 6592	4,00		--
0007	VTDD01695		NUT M 8 INX	2,00		--
0008	VTVT15142		SCREW TE M 6x45 INOX	2,00		--
0009	MPVR37003		SLEEVE PVC D.32	1,00		--
0010	VTVT15515		SCREW TE M 6X 50 INOX A2	6,00		--
0011	MLML49422		SPRING D.15X 45 X1	2,00		--
0012	LAFN51069		BRACKET SUPP.RUOTINO SQUEEGEE	2,00		--
0013	VTAE45707		CIRCLIP D. 6 UNI 7434 INOX	4,00		--
0016	VTRS00017		WASHER ACCIAIO INOX 4X12	2,00		--
0017	VTVT00881		SCREW TC+ M4x6 TRILOBATA INOX	2,00		--
0018	MFVR00141		BODY SQUEEGEE PRESSOFUSO "S"	1,00		--
0019	LAFN51045		LAMINATION BLOCCA LAMA ANTER.SX S	1,00		--
0020	MPVR04164		HANDWHEEL M8 FILETTO PASSANTE	2,00		--
0021	LAFN51044		LAMINATION BLOCCA LAMA ANTER.DX S	1,00		--
0022	MPVR45194		RUBBER BLADE LAV. 800 ANT.	1,00		--
0023	VTVT15916		SCREW TE M 8X 16 UNI 5739 A2	2,00		--
0024	VTRS01080		WASHER D. 8 GRW	2,00		--
0025	MPVR02894		ROLLER PARACOLPI	2,00		--
0026	LAFN51074		PIN PARACOLPI	2,00		--
0029	VTVT01050		SCREW TE M 8X30 INX UNI 5737	2,00		--
0030	MPVR45195		RUBBER BLADE LAV. 800 PST.POL.	1,00		--
0031	VTDD15520		NUT M 6 A2 UNI 5588 INX	2,00		--
0032	LAFN49284		BLADE HOLDER POSTERIORE DX (S)	1,00		--
0033	LAFN49285		BLADE HOLDER POSTERIORE SX (S)	1,00		--
0034	LAFN51039		WEIGHT IN QUADRO X SQUEEG.	2,00		--
0035	VTAE00074		CIRCLIP D8	2,00		--
0036	VTVT01304		SCREW M 8X 40 TTQST UNI 5731	2,00		--

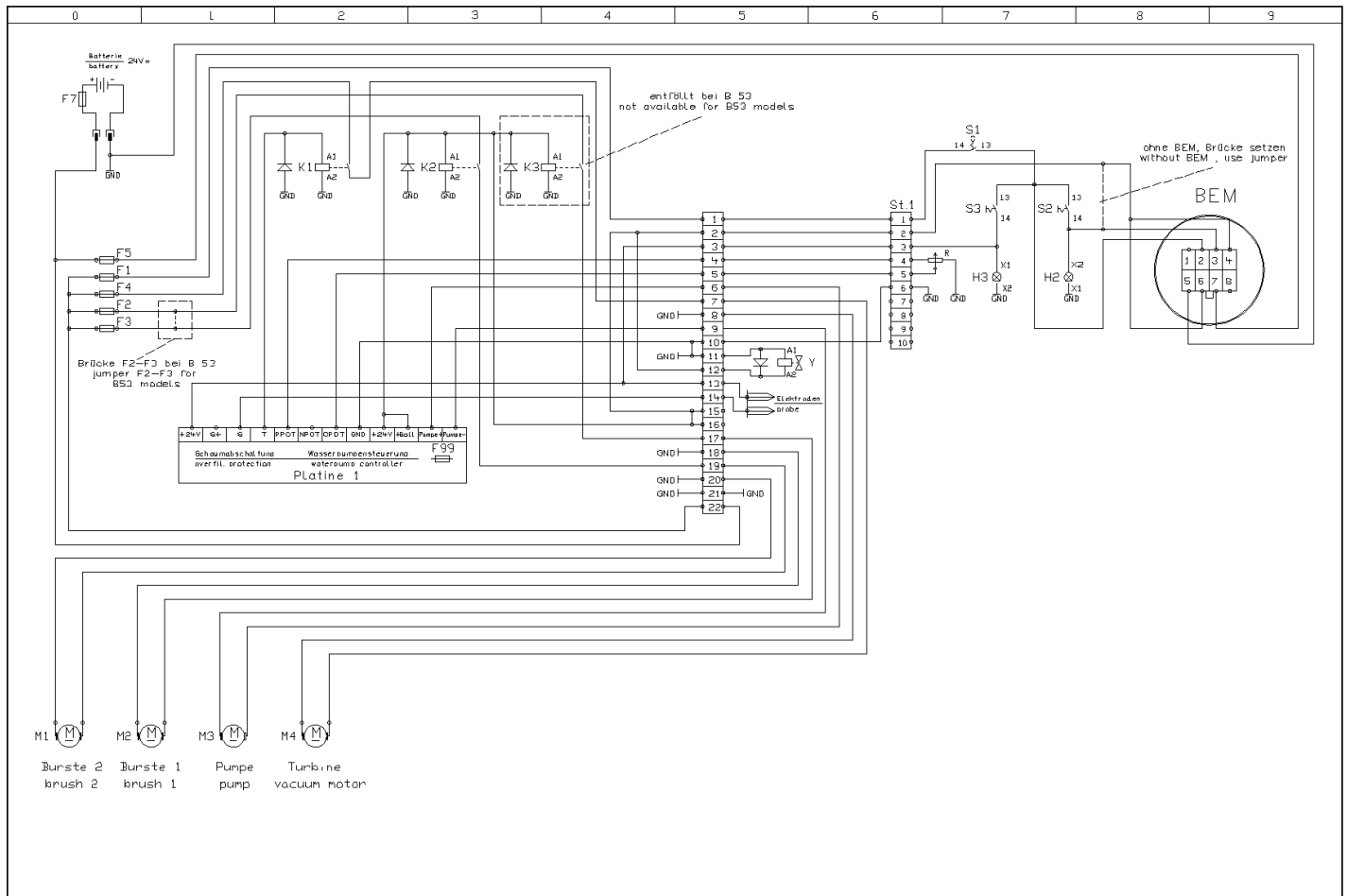


ISM00011

Ref. K	Part N.	Customer Part N.	Description	Qty	Validity: From To	Price
0001	MEVR00370		CLAMP 44mm - 47,5mm	2,00		--
0002	TBFX00011		TUBE L=720	1,00		--
0003	MPVR01097		HOOK DRAIN HOSE	2,00		--
0004	TBFX00013		TUBE DRAINAGE L=800	2,00		--
0005	RCVR00126		CAP DRAIN HOSE	2,00		--
0008	TBFX00053		TUBE DRAINAGE L=800	2,00		--
0009	MEVR00371		CLAMP HCL-U	1,00		--
0010	VTVT00877		SCREW TSPEI UNI5933	4,00		--
0011	RCVR00125		JOINT	2,00		--
0012	VTRS00515		WASHER D. 4 INX	4,00		--
0013	VTDD15925		NUT M 4 INX	4,00		--



Ref. K	Part N.	Customer Part N.	Description	Qty	Validity:		Price
					From	To	
0001	ETET00211		ADHESIVE "BRUSH UP" 24X24	1,00			--
0002	ETET00210		ADHESIVE -BUSH ON-	2,00			--
0003	ETET00214		ADHESIVE -SQUEEGEE UP-	1,00			--
0004	ETET00216		ADHESIVE -VACUUM-	1,00			--
0005	ETET00258		ADHESIVE -WATER- D.55	1,00			--
0006	ETET00212		ADHESIVE "BRUSH DOWN" 24X24	1,00			--
0007	ETET00215		ADHESIVE -SQUEEGEE DOWN-	1,00			--
0008	ETET00173		ADHESIVE 62 B 53	2,00			--
0010	ETET00152		ADHESIVE -CHARGING PLUG-	1,00			--
0011	ETET00196		ADHESIVE "GANSOW" 285x30	2,00			--
0012	ETET00182		ADHESIVE -GANSOW- 700x70	1,00			--



4	Platine-Msgu	20.07.99	Ka.	Datum	19.01.1998	Gonsow GmbH + Co.,KG	PLD001538	Verdrahtungsplan wiring diagram	Typ / model	62 B 53/65 15 B 21/26	ab Masch.-Nr. / from mach.no.	Datum/date	08.2000
5	BAUSER BEM	02.09.00	Ka.	Bearb.	Kampmann	Maschinenbau					bis Masch.-Nr. / up to mach.no.	Blatt/page	1/1
6	SPE BEM	25.10.05	Ka.	Sepr.									
Zust.	Änderung	Datum	Name	Name		Urspr. 62B.003	Ers.f	Ers.d					

Ref.	K	Part N.	Customer Part N.	Description	Qty	Validity: From To	Price
00K1		MECI00115		CONTACTOR 24V-100A	1,00		--
00K2		MECI00115		CONTACTOR 24V-100A	1,00		--
00K3		MECI00115		CONTACTOR 24V-100A	1,00		--
00M1		MOCC00045		MOTOR MRP5V24 W650 G200	1,00		--
00M2		MOCC00045		MOTOR MRP5V24 W650 G200	1,00		--
00M3		PPBP00008		PUMP 24V	1,00		--
00M4		MOMO00014		TURBINE 24V	1,00		--
0BEM		MESB00025		HOUR-COUNTER BAUSER 24V TYPO 855 24VDC	1,00		--