



IPC Integrated Professional Cleaning

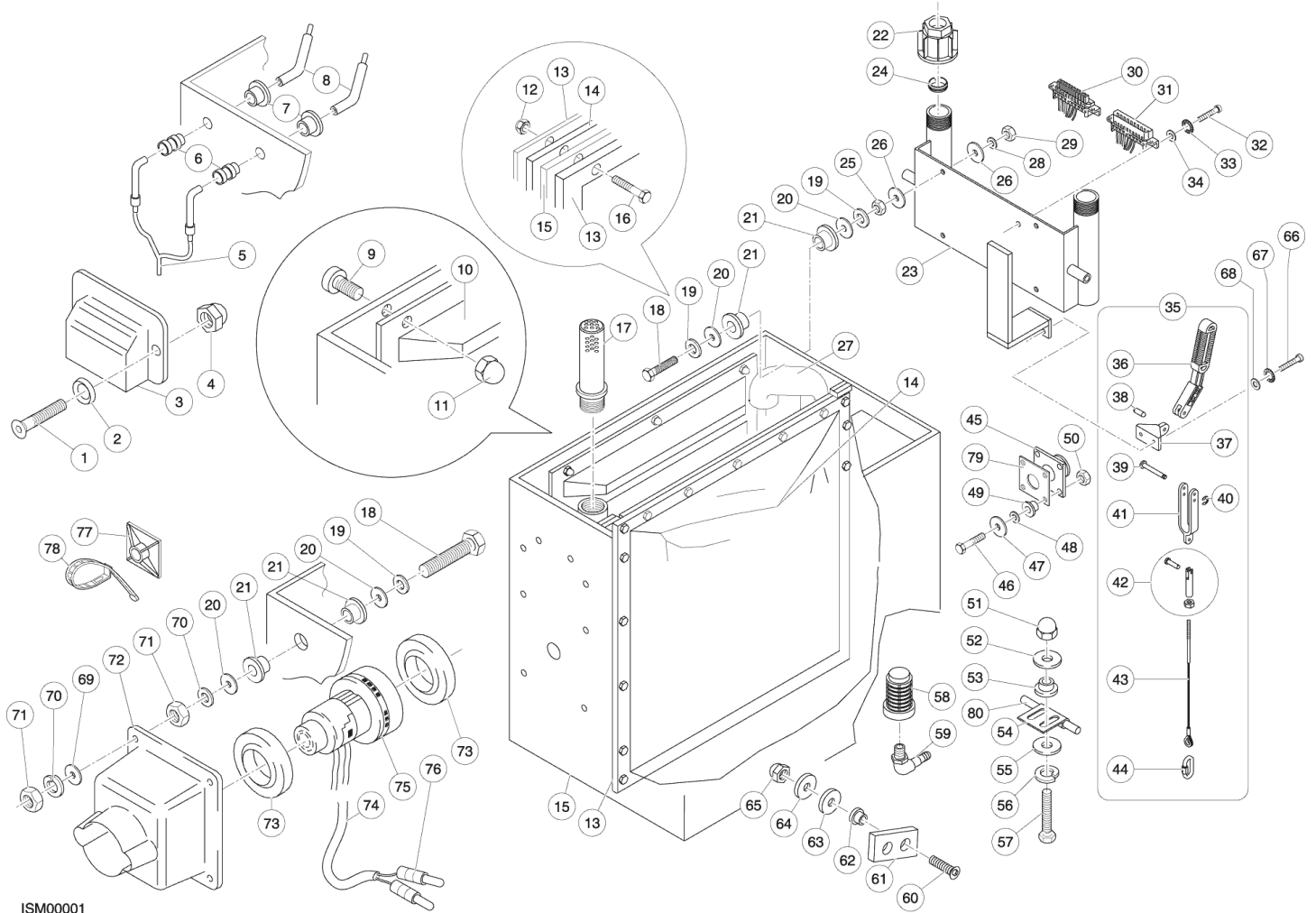
IPC Gansow

Spare Parts List

IPC . EAGLE

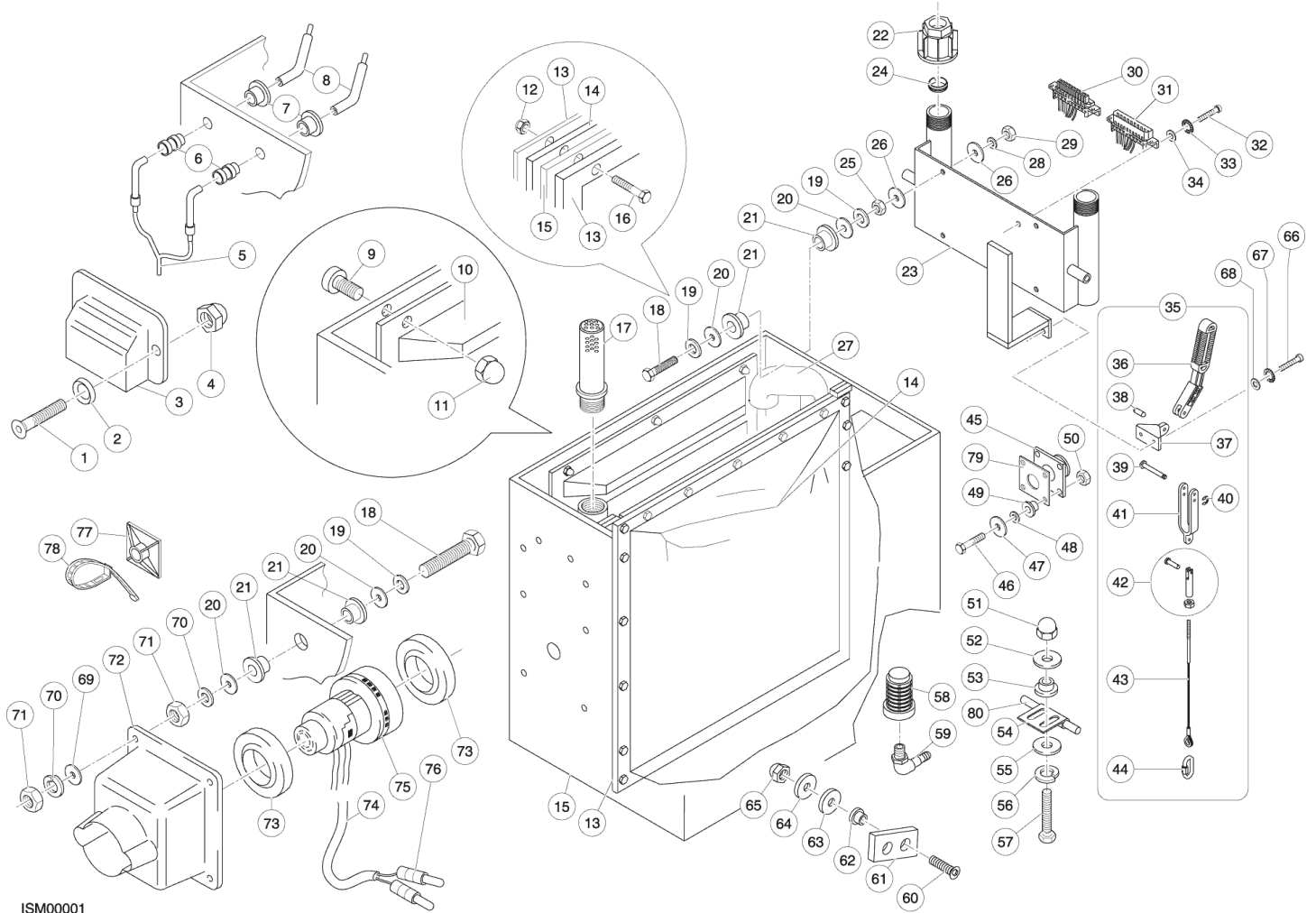
Ref: LPTB01098

Model: LAVASCIUGA 62 BF 65 - PAD 3-01GSW



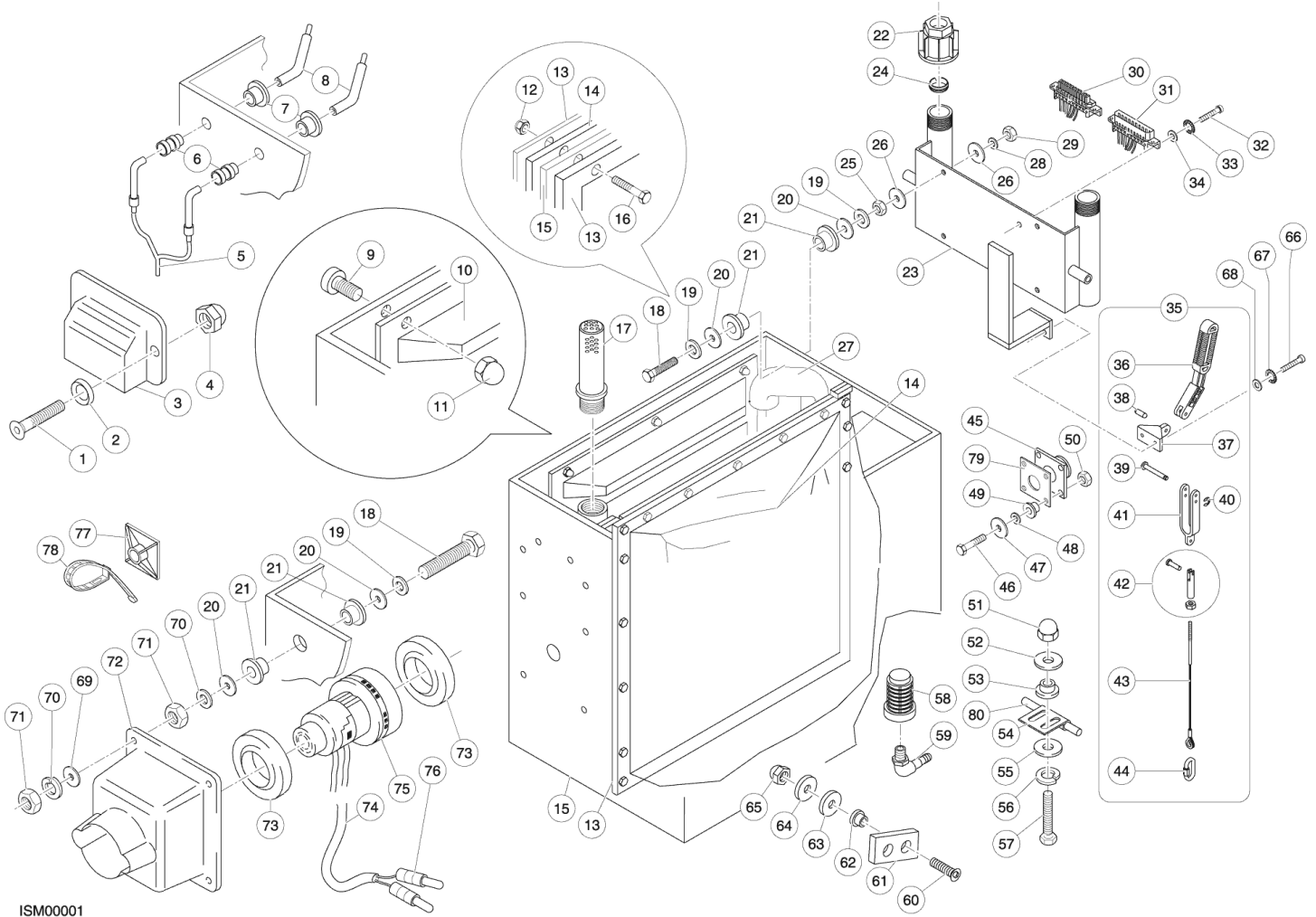
ISM00001

Ref. K	Part N.	Customer Part N.	Description	Qty	Validity: From	To	Price
0001	VTVT13941		SCREW M5x16 TSPEI UNI 5933	2,00			--
0002	VTRS00060		WASHER D.5,3x14,5x3,2	2,00			--
0003	MPVR01135		COVER	1,00			--
0004	VTDD14407		NUT M 5 INX A2	2,00			--
0005	MEVR00239		CABLE L=1,60mt(DM=2,11)	1,00			--
0006	MEVR00161		CABLE CLAMP PG7 H 1007	2,00			--
0007	GUVR00034		GASKET electrodes	2,00			--
0008	MECI00386		ELECTRODE 62-88-70-97-119	2,00	02/2004		--
0009	VTVT00415		SCREW TTCE M6x16 inox	22,00			--
0010	MPVR01578		BULKWARD RENFORCE	2,00			--
0011	VTDD48188		NUT M 6 CIE. INX A2 UNI 5721	22,00			--
0012	VTDD48188		NUT M 6 CIE. INX A2 UNI 5721	30,00			--
0013	LAFN01423		Membrane's fram62-88-142	1,00	06/2004		--
0013	LAFN10092		PLATE L=460	2,00	06/2004		--
0013	KTRI01535		GASKET 62-88-142	1,00	06/2004		--
0013	LAFN02814		PLATE L=488	2,00	06/2004		--
0014	DBDB00937		MAMBRANE 62/88	1,00			--
0015	MPVR01134		TANK 62	1,00			--
0016	VTVT15141		SCREW TE M 6X 25 UNI 5739 INX	30,00			--
0017	MPVR01049		FILTER AIR INLET	1,00			--
0018	VTVT00392		SCREW M6x35 UNI5739 inox	4,00			--
0019	VTRS07728		WASHER D. 6 INX	8,00			--
0020	VTRS13947		WASHER D. 8 INX UNI 6592	8,00			--
0021	VTRS00052		WASHER D.6	8,00			--
0022	VTVR00086		RING NUT	2,00			--
0023	LAFN01406		SUPPORT HANDLE 40/62	1,00			--
0024	PVVR00002		RING	2,00			--
0025	VTDD15520		NUT M 6 A2 UNI 5588 INX	8,00			--
0026	VTVT00416		WASHER 6x18 UNI6953 inox	8,00			--
0027	FSVR00018		HOSE COLLAR 180°	1,00			--
0028	VTRS15144		WASHER D. 6 INX GRW UNI 1751	4,00			--
0029	VTDD15520		NUT M 6 A2 UNI 5588 INX	4,00			--
0030	MEVR00394		PLUG WEIDMUELLER 10 p FEMALE	1,00			--
0031	MEVR00188		PLUG "WEIDMUELLER" 10p. MALE	1,00			--
0032	VTVT00413		SCREW TCEI M5x8 UNI5931 inox	2,00			--
0033	VTRS03924		WASHER D. 5 DIN 6798E	2,00			--
0034	VTRS00516		WASHER D. 5 INX	2,00			--
0035	PMVR00464		SQUEEGEE LIFTERB/BF	1,00			--
0036	MPVR01088		HANDLE	1,00			--



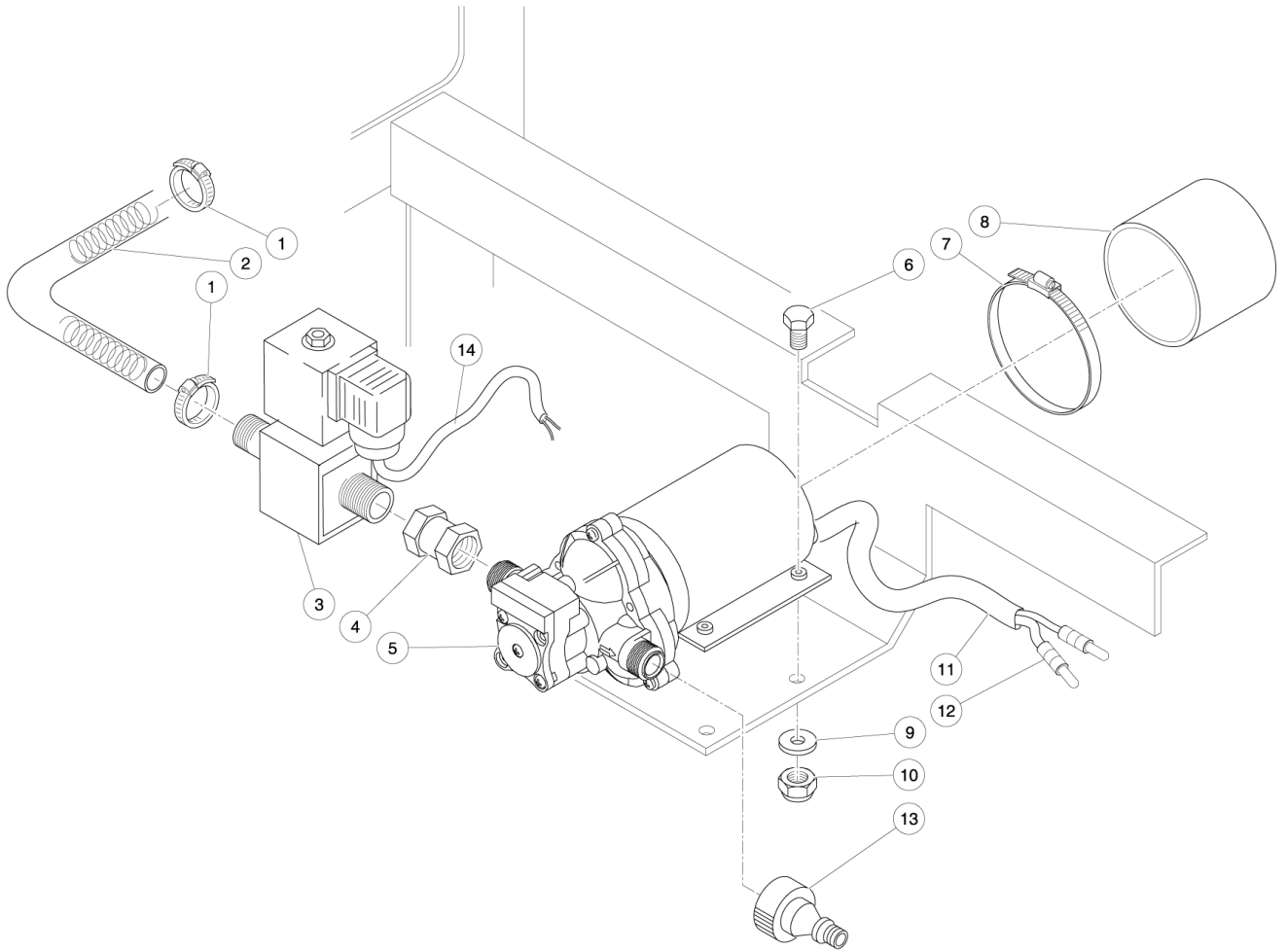
ISM00001

Ref. K	Part N.	Customer Part N.	Description	Qty	Validity:		Price
					From	To	
0037	MPVR01089		SUPPORT	1,00			--
0038	MEVR00173		PLUG M5X18 DIN1475	1,00			--
0039	LAFN01335		PIN 40x5mm	1,00			--
0040	VTRS00057		WASHER 5mm A2	1,00			--
0041	CMCV00068		FORK 3,0mm	1,00			--
0042	CMCV00070		FORK	1,00			--
0043	CMCV00077		CABLE 7X19 L=350mm	1,00			--
0044	VTVR00082		SPRING CATCH INOX 5mm	1,00			--
0045	LAFN01402		FLANGE 1 1/4" A.304	1,00			--
0046	VTVT13939		SCREW TE 6X20 UNI5739 INX	4,00			--
0047	VTRS07728		WASHER D. 6 INX	4,00			--
0048	VTRS01776		WASHER D. 8 X17 INX UNI 6593	4,00			--
0049	VTRS00052		WASHER D.6	4,00			--
0050	VTDD01694		NUT M 6 INX	4,00			--
0051	VTDD15911		NUT M8 UNI5721	3,00			--
0052	VTRS15523		WASHER D.10 X21 INOX UNI 6592	3,00			--
0053	VTRS00053		WASHER 8°	3,00			--
0054	CEVR00016		HINGE SERBATOIO	2,00			--
0055	VTRS13947		WASHER D. 8 INX UNI 6592	3,00			--
0056	VTRS00135		GROWER A8,4 UNI1751	3,00			--
0057	VTVT00410		SCREW TE M8x35 UNI5739 INOX	3,00			--
0058	FTAC00001		FILTER 1/2"	1,00			--
0059	RCVR00109		CURVE 90°	3,00			--
0060	VTVT00427		SCREW TSPEI 8X35 UNI5933 INX	2,00			--
0061	LAFN01281		BLOCK ANTIRIBALTAMEN. SERBATOIO	1,00			--
0062	VTRS00053		WASHER 8°	4,00			--
0063	VTRS01776		WASHER D. 8 X17 INX UNI 6593	2,00			--
0064	VTRS15523		WASHER D.10 X21 INOX UNI 6592	2,00			--
0065	VTDD00052		NUT M8 DIN 1587	2,00			--
0066	VTVT00428		SCREW TCEI 6X20 UNI5931 INX	2,00			--
0067	VTRS15144		WASHER D. 6 INX GRW UNI 1751	2,00			--
0068	VTVT00416		WASHER 6x18 UNI6953 inox	2,00			--
0069	VTRS16937		WASHER 6x24 INOX UNI 6593	4,00			--
0070	VTRS15144		WASHER D. 6 INX GRW UNI 1751	4,00			--
0071	VTDD15520		NUT M 6 A2 UNI 5588 INX	4,00			--
0072	MPVR01136		PROTECTION VACUUM	1,00			--
0073	GUVR00027		RING VACUUM	2,00			--
0074	CMCV00058		CABLE L= 1 Mt	1,00			--
0075	MOMO00014		TURBINE 24V	1,00			--



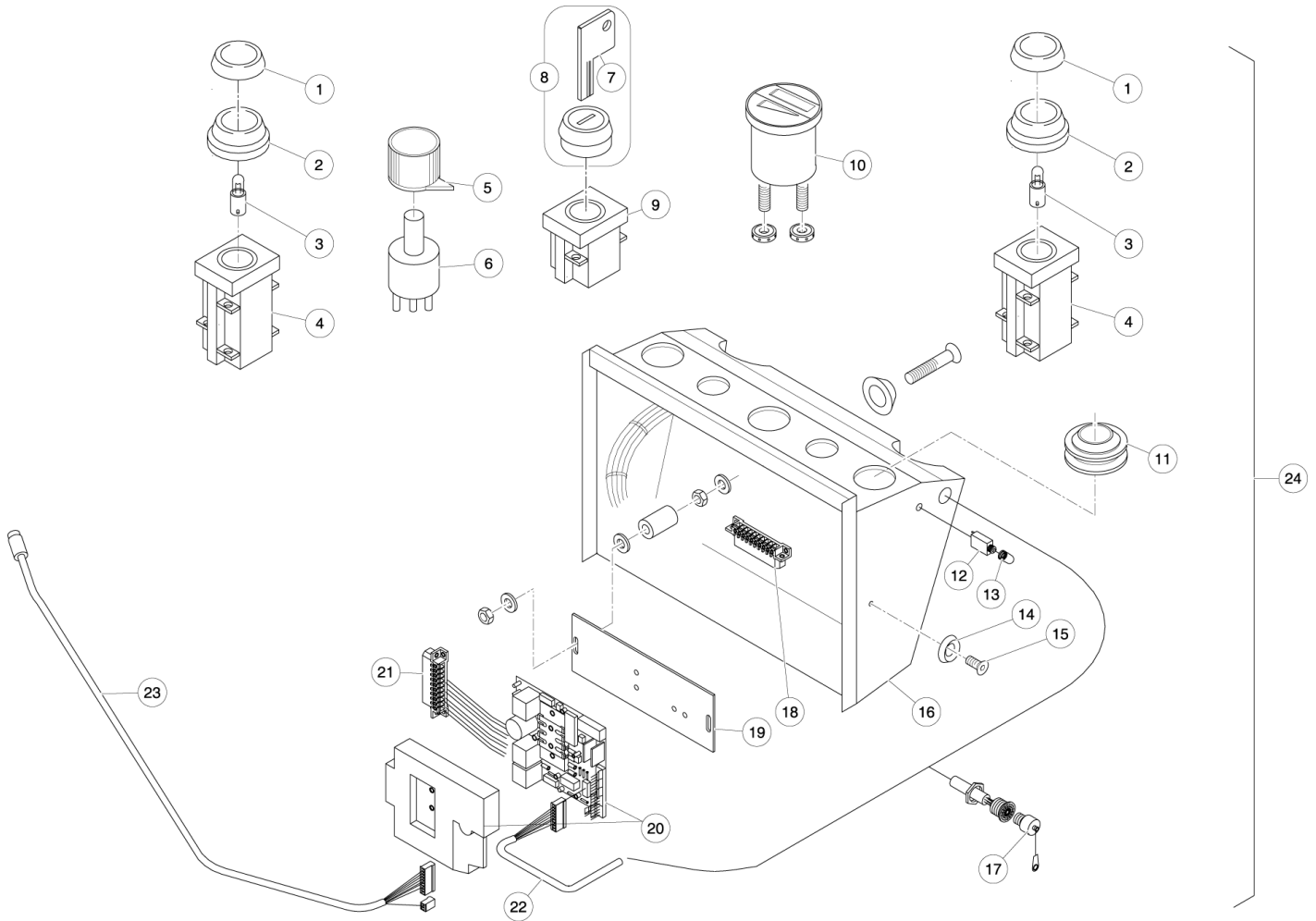
ISM00001

Ref.	K	Part N.	Customer Part N.	Description	Qty	Validity:		Price
						From	To	
0076		MEVR00748		CONNECTOR D.5 BLU	2,00	02/2004		--
0077		MECE00246		TERMINAL BOARD 25X25	4,00			--
0078		FSVR00050		CLAMP 3,5X140	4,00			--
0079		GUVR01006		GASKET	1,00	06/2004		--
0080		LAFN01354		ROD L=335	1,00			--
0081		CMCV00084		CABLE 9 x 1,5	1,00			--



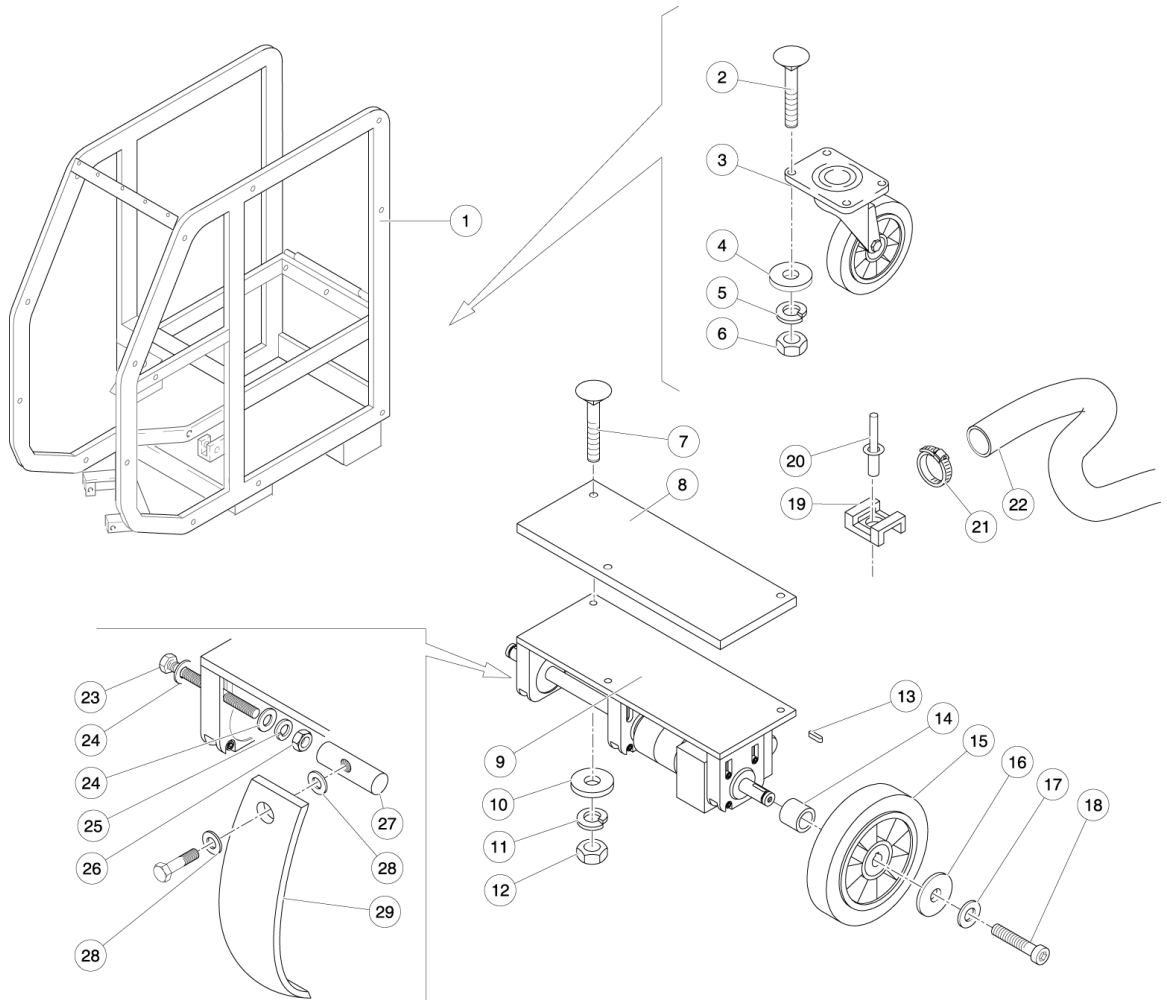
ISM00002

Ref. K	Part N.	Customer Part N.	Description	Qty	Validity:		Price
					From	To	
0001	MEVR00372		CLAMP 18,2 - 20,5	3,00			--
0002	TBBP00045		TUBE PVC 13X18	1,00			--
0003	MECI00073		SOLENOID VALVE 24V 3/8"	1,00			--
0004	RCVR00278		REDUCTION 1/2"F-3/8"F	1,00	11/2003		--
0005	PPBP00008		PUMP 24V	1,00			--
0006	VTVT06235		SCREW TE 6X30 UNI5739 8.8	4,00			--
0007	FSVR00052		CLAMP 2,5X100	4,00			--
0008	MPVR01098		CAP PUMP	1,00			--
0009	VTRS63231		WASHER D. 6 X18	4,00	11/2003		--
0010	VTDD00043		NUT M6 UNI7473	4,00			--
0011	MEVR01649		SHEATH D.12	0,15			--
0012	MEVR00318		CABLE 2x1,5 L=1,40 mt	1,00	05/2004		--
0013	RCVR00103		JOINT R 1/2"	1,00			--
0014	DBDB00909		CABLE	1,00			--



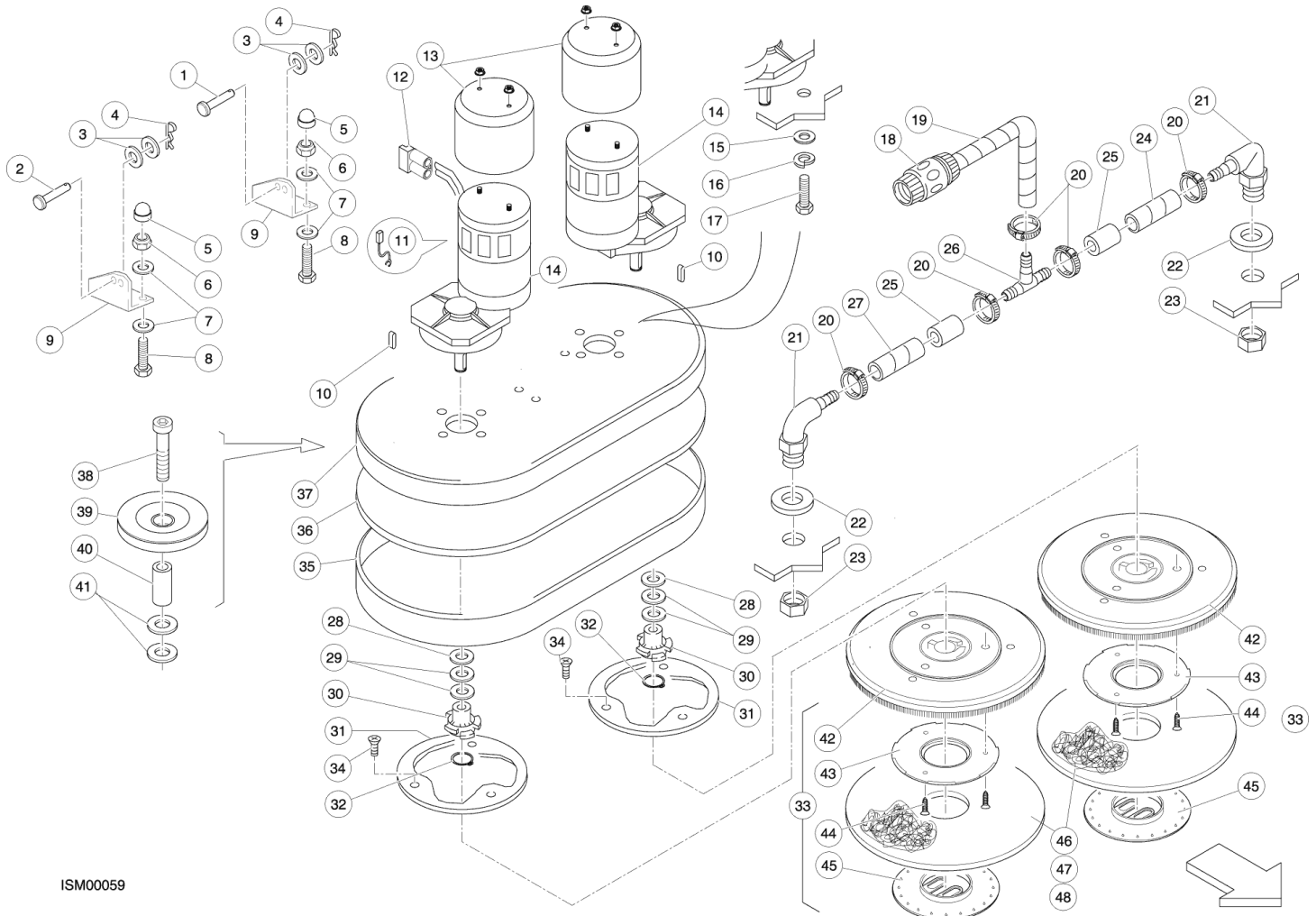
ISM00003

Ref. K	Part N.	Customer Part N.	Description	Qty	Validity:		Price
					From	To	
0001	MPVR01061		PROTECTION INTERR.	2,00			--
0002	MECI00051		SWITCH GREEN	2,00			--
0003	MEVR00193		LAMP 24V 1,2W	2,00			--
0004	LAFN01300		FRUIT X INT.	2,00			--
0005	MPVR01118		KNOB POTENTIOMETER	1,00			--
0006	MECI00046		POTENTIOMETER 24V 22KOhm	1,00			--
0007	AZMC00007		DIASASS.SPANNERSCRUBBER AND 105/125/130B	1,00			--
0008	MECE00047		SELECTOR 0°-45°	1,00			--
0009	MECE00046		FRUIT SELECT.	1,00			--
0010	MESB00025		HOUR-COUNTER BAUSER 24V TYPO 855 24VDC	1,00	02/2004		--
0011	GUVR00035		GASKET HANDLE	2,00			--
0012	MEVR00338		FUSE RESETTABLE 2A -ETA-	1,00			--
0013	MECE00056		COVER AUT. FUSE	1,00			--
0014	VTRS00060		WASHER D.5,3x14,5x3,2	2,00	09/2003		--
0015	VTVT00424		SCREW M 5X 45 TSPEI UNI 5933	2,00			--
0016	MPVR01609		INSTR.PANEL 62 BF 53/65/A	1,00			--
0017	RCVR00119		CAP PANEL	1,00			--
0018	MEVR00188		PLUG "WEIDMUELLER" 10p. MALE	1,00			--
0019	LAFN01451		PLATE	1,00			--
0020	MECE00075		CHOPPER MXB 24/35	1,00			--
0021	MEVR00394		PLUG WEIDMUELLER 10 p FEMALE	1,00			--
0022	MEVR00258		CABLE PROGR.ZAPI	1,00			--
0023	CMCV00064		CABLE	1,00			--
0024	MPVR01155		BOX 62 BF	1,00			--



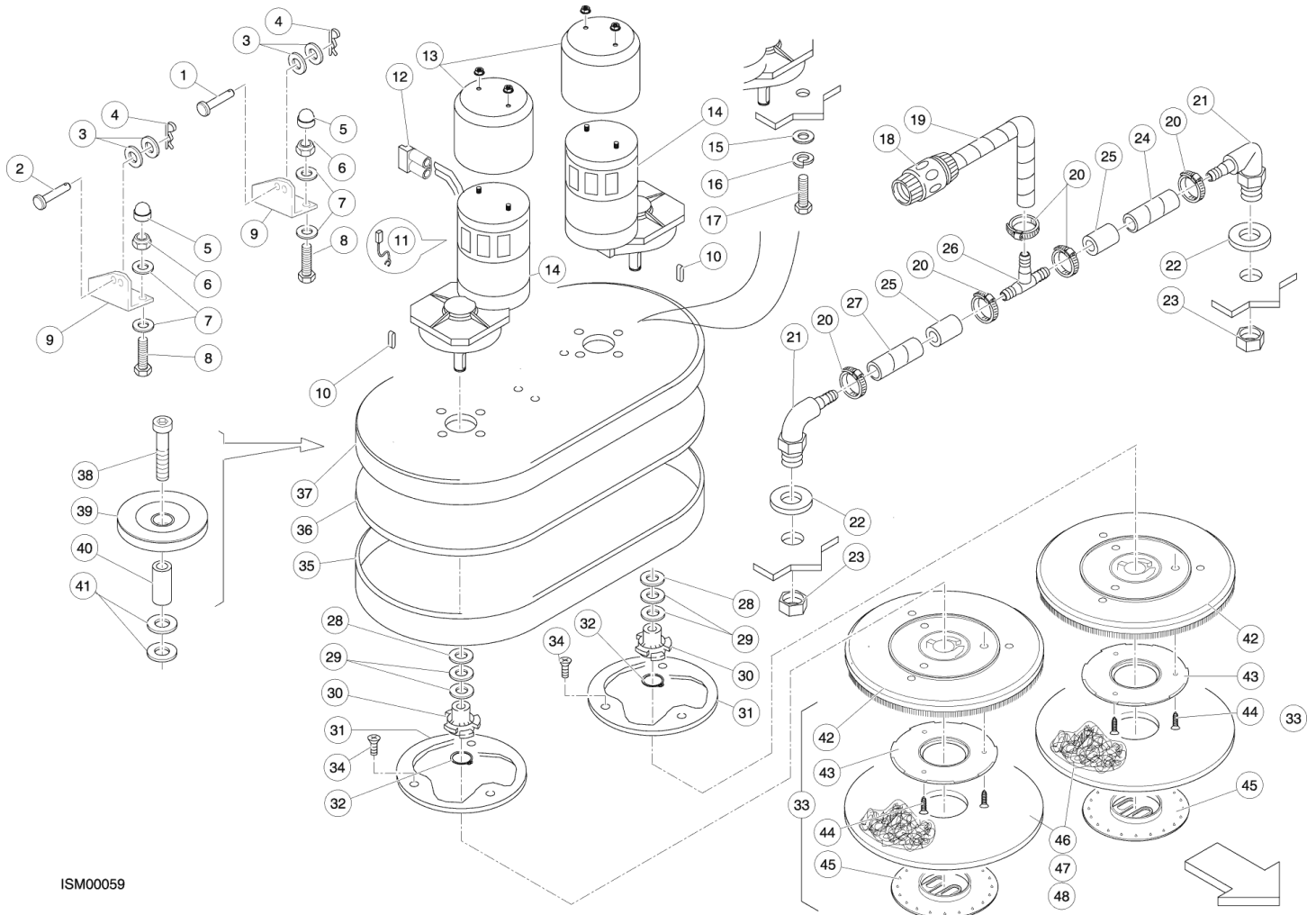
ISM00019

Ref. K	Part N.	Customer Part N.	Description	Qty	Validity:		Price
					From	To	
0001	LAFN01432		FRAME 40/62 B/BF	1,00			--
0002	VTVT00154		SCREW TTQS M8x20 DIN603 znt	4,00			--
0003	RTRT00063		WHEEL D.125 BZFK125GR0001	1,00			--
0004	VTRS00513		WASHER D. 8 X32 P.	4,00			--
0005	VTRS01080		WASHER D. 8 GRW	3,00			--
0006	VTDD00483		NUT M 8 ZIN UNI 5588	3,00	11/2003		--
0007	VTVT01671		SCREW M 8X 40 TTQST UNI 5731	3,00			--
0008	LAFN01441		MOTOR SUPPORT 40-62 BF ZIN	1,00			--
0009	MOCC00043		MOTOR MRP4DS V24 W200 G120	1,00			--
0010	VTRS00512		WASHER D. 8 X24 ZC.	3,00	06/2004		--
0011	VTRS01080		WASHER D. 8 GRW	4,00			--
0012	VTDD00483		NUT M 8 ZIN UNI 5588	4,00	11/2003		--
0013	VTVR21944		KEY 6X6X30	2,00			--
0014	LAFN01343		BUSHING 30x10 D.19 H7	2,00			--
0015	RTRT00061		WHEEL 200mm	2,00			--
0016	VTRS00044		WASHER 30x6x3	2,00			--
0017	VTRS01079		WASHER D. 6 GROWER	2,00	11/2003		--
0018	VTVT00262		SCREW TCEI M6x20 UNI5931 ZNT	2,00			--
0019	MECE00255		TERMINAL BOARD	1,00			--
0020	VTVR00073		RIVET 4X12	1,00			--
0021	FSVR00052		CLAMP 2,5X100	1,00			--
0022	MEVR01649		SHEATH D.12	0,40			--
0023	VTVT00414		SCREW TE M6x100 UNI5739	1,00			--
0024	VTRS63242		WASHER D. 6 X24 ZC	1,00			--
0025	VTRS01079		WASHER D. 6 GROWER	1,00	11/2003		--
0026	VTDD00482		NUT M 6 ZIN UNI 5588	1,00			--
0027	MEVR00622		CLAMP 12x20	1,00	10/2003		--
0028	VTRS00110		WASHER 5,5x15	2,00			--
0029	MECI00192		ELEC. PROTECTOR	1,00	10/2003		--



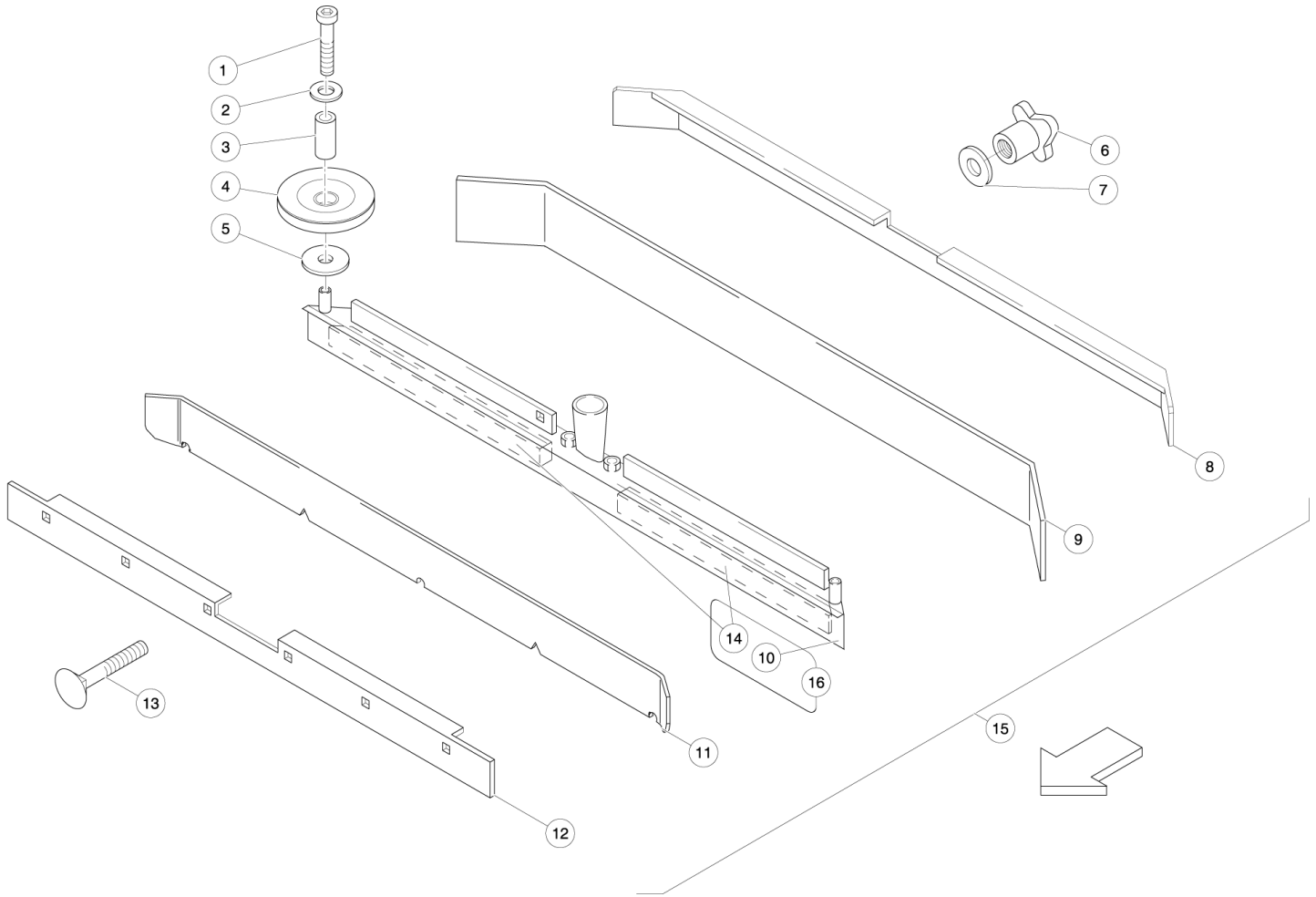
ISM00059

Ref. K	Part N.	Customer Part N.	Description	Qty	Validity:		Price
					From	To	
0001	VTVR00062		PIN 12x50 DIN 124	1,00			--
0002	LAFN01253		PIN 12x40	1,00			--
0003	VTRS00506		WASHER D.12 UNI 6592	4,00			--
0004	VTVR00061		SPLIT PIN D.3,2 B	2,00			--
0005	MPVR01575		NUT COVER 130-08-17	4,00			--
0006	VTDD01695		NUT M 8 INX	4,00			--
0007	VTRS13947		WASHER D. 8 INX UNI 6592	8,00			--
0008	VTVT13937		SCREW TE M 8X 30 INX UNI 5739	4,00			--
0009	LAFN01532		CORNER PIECE 53	2,00			--
0010	VTVR21944		KEY 6X6X30	2,00			--
0011	MOCC00274		CARBON 10x18x19 MRP6 600W 24V	4,00			--
0012	MEVR00152		CONNECTOR SB 50A	2,00			--
0013	MPVR01009		COVER BRUSH MOTOR	2,00			--
0014	MOCC00046		MOTOR MRP6V24 W250 G180	2,00			--
0015	VTVT00416		WASHER 6x18 UNI6953 inox	8,00			--
0016	VTRS15144		WASHER D. 6 INX GRW UNI 1751	8,00			--
0017	VTVT13939		SCREW TE 6X20 UNI5739 INX	8,00			--
0018	RCVR00104		JOINT 1/2"	1,00			--
0019	TBBP00045		TUBE PVC 13X18	0,52			--
0020	MEVR00372		CLAMP 18,2 - 20,5	5,00			--
0021	RCVR00109		CURVE 90°	3,00			--
0022	VTRS63255		WASHER COPPER 1/2'	2,00			--
0023	MEVR01906		LOCKNUT 1/2"	2,00			--
0024	TBBP00045		TUBE PVC 13X18	0,11			--
0025	LAFN01247		BUSHING RED. FLOW	2,00			--
0026	RCVR00110		ADAPTER "T" 13mm	1,00			--
0027	TBBP00045		TUBE PVC 13X18	0,22			--
0028	VTRS00139		WASHER 18x25x0,3 DIN 988	2,00			--
0029	VTRS00061		WASHER 18x25x0,1 DIN 988	2,00			--
0030	MFVR00031		HUB D.19	2,00			--
0031	GUVR00031		RING	2,00			--
0032	VTAE00017		SEEGER E17x1 DIN471	2,00			--
0033	SPPV00174		DISC 65	2,00			--
0034	VTVT00421		SCREW TSPIC 2,9x22 UNI6955 inox	6,00			--
0035	PMLA00140		SPLASH GUARD 65	1,00			--
0036	LAFN01500		REINFORCEMENT BRUSH HEAD 65	1,00			--
0037	LAFN01520		HEAD 65	1,00			--
0038	VTVT01124		SCREW TCEI 10X35 UNI5931	2,00			--
0039	RTRT00049		BUMPER HEAD - SQUEEGEE	2,00			--



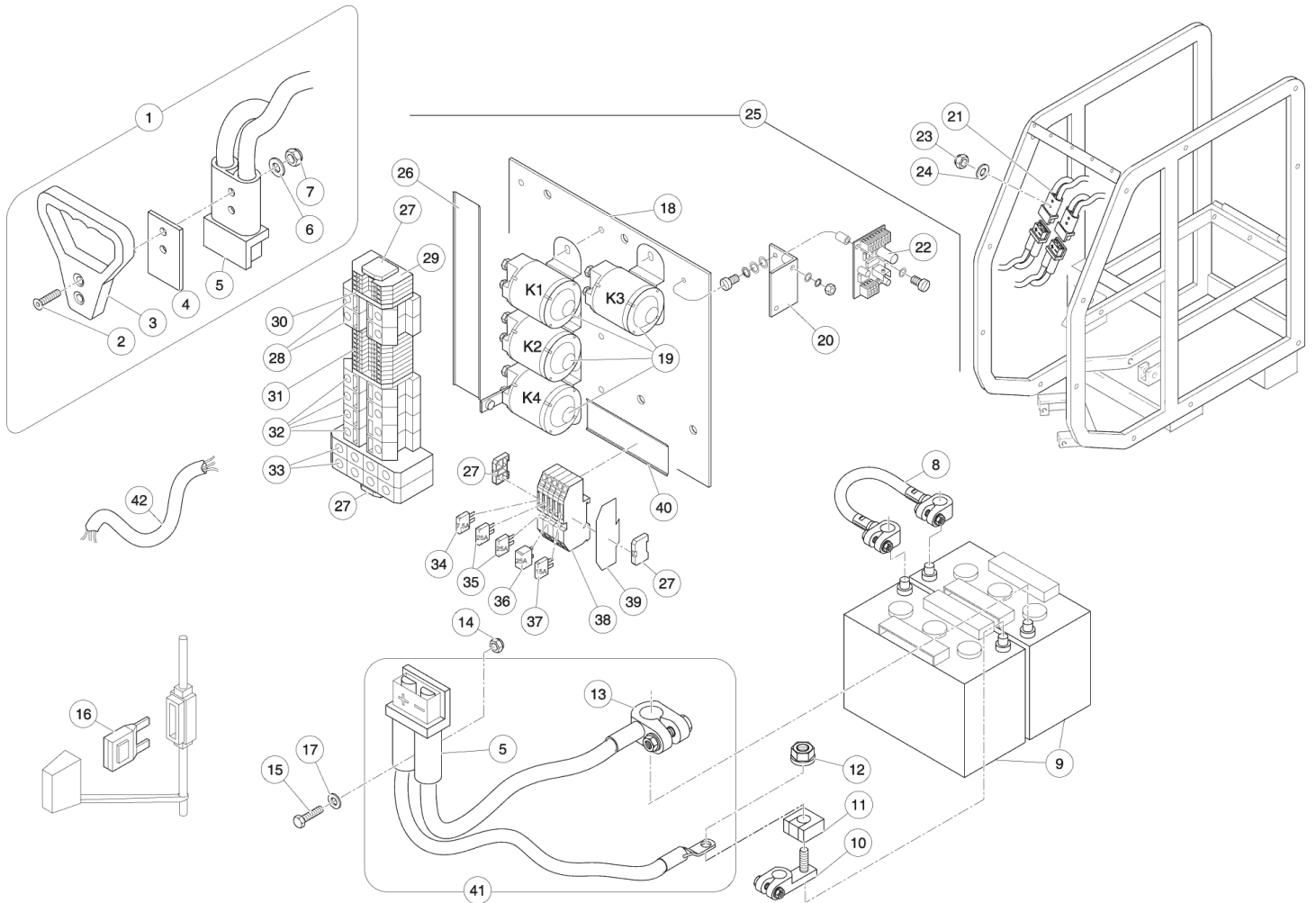
ISM00059

Ref. K	Part N.	Customer Part N.	Description	Qty	Validity:		Price
					From	To	
0040	LAFN01315		BUSHING M12 15/1,4x17	2,00			--
0041	VTRS15523		WASHER D.10 X21 INOX UNI 6592	4,00			--
0042	LAFN02627		FLAT BRUSH D.320/345	2,00			--
0043	LAFN01323		CLAMP	2,00			--
0044	VTVT00296		SCREW TSPIC 3,9x16 UNI6955 ZNT	6,00			--
0045	GUVR00029		CIRCLIP	2,00			--
0046	SPPV00293		DISC 62	1,00			--
0047	SPPV49663		DISC GR. 62	1,00			--
0048	SPPV00297		DISC 62	1,00			--



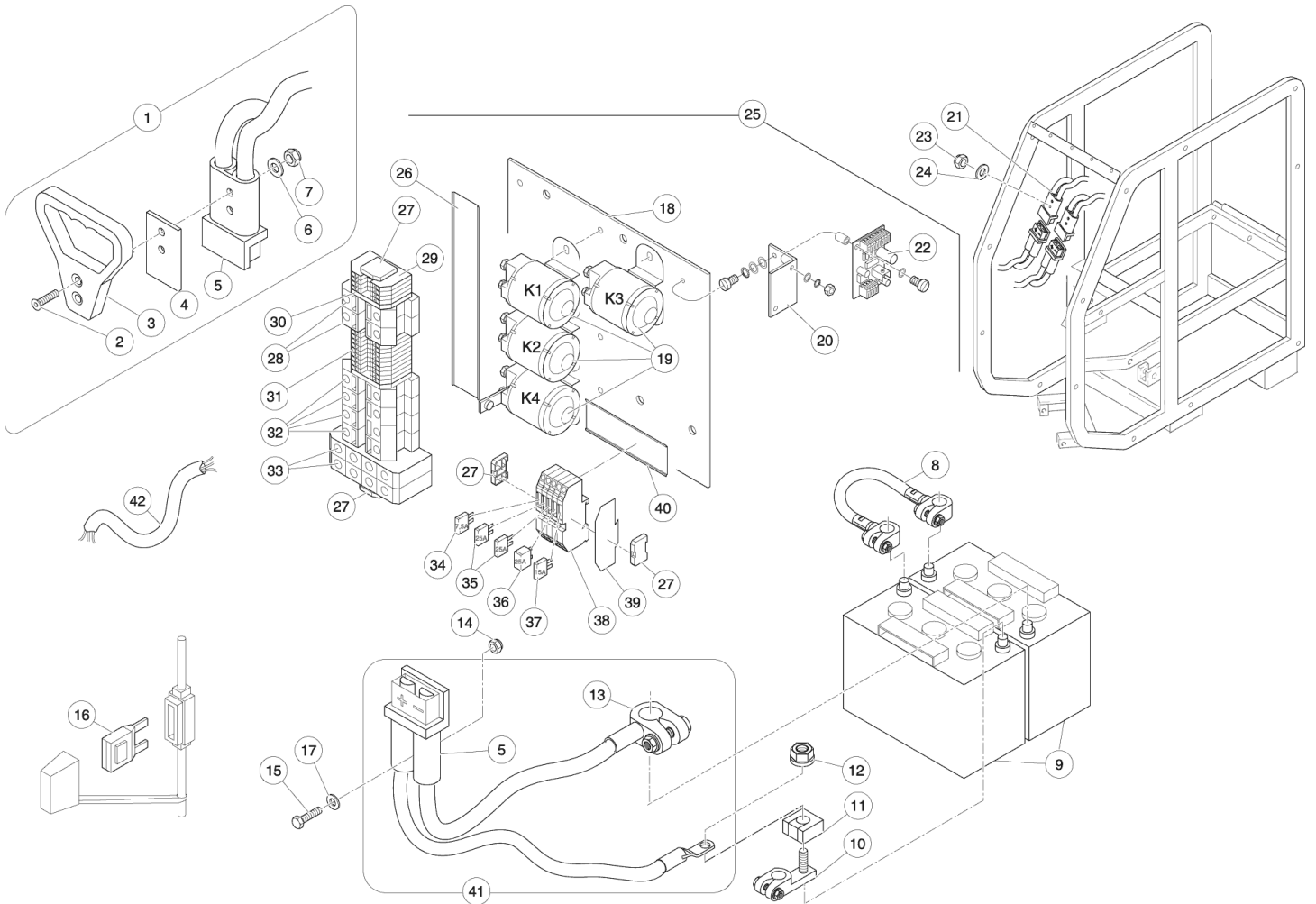
ISM00006

Ref.	K	Part N.	Customer Part N.	Description	Qty	Validity:		Price
						From	To	
0001		VTVT00411		SCREW TCEI M10x35 UNI5931	2,00			--
0002		VTRS00505		WASHER D.10 TE UNI 6592	2,00	11/2003		--
0003		LAFN01316		BUSHING 15/2X5x17,2 mm M10	2,00			--
0004		RTRT00049		BUMPER HEAD - SQUEEGEE	2,00			--
0005		VTRS00059		WASHER 35x10,5x3	2,00			--
0006		VTVT00199		HANDWHEEL VB 693/63B-M8	4,00			--
0007		VTRS13947		WASHER D. 8 INX UNI 6592	4,00			--
0008		LAFN01511		CORNER PIECE SQUEEGEE 65	1,00			--
0009		MPVR01092		RUBBER SQUEEGEE 65	1,00			--
0010		LAFN01509		BODY SQUEEGEE 65	1,00			--
0011		MPVR01091		RUBBER SQUEEGEE 65	1,00			--
0012		LAFN01510		CORNER PIECE 65	1,00			--
0013		VTVT01305		SCREW M 8X 60 TTQST UNI 5731	4,00			--
0014		MPVR01591		FILLER 65	2,00			--
0015		PMVR00476		SQUEEGEE 65	1,00			--



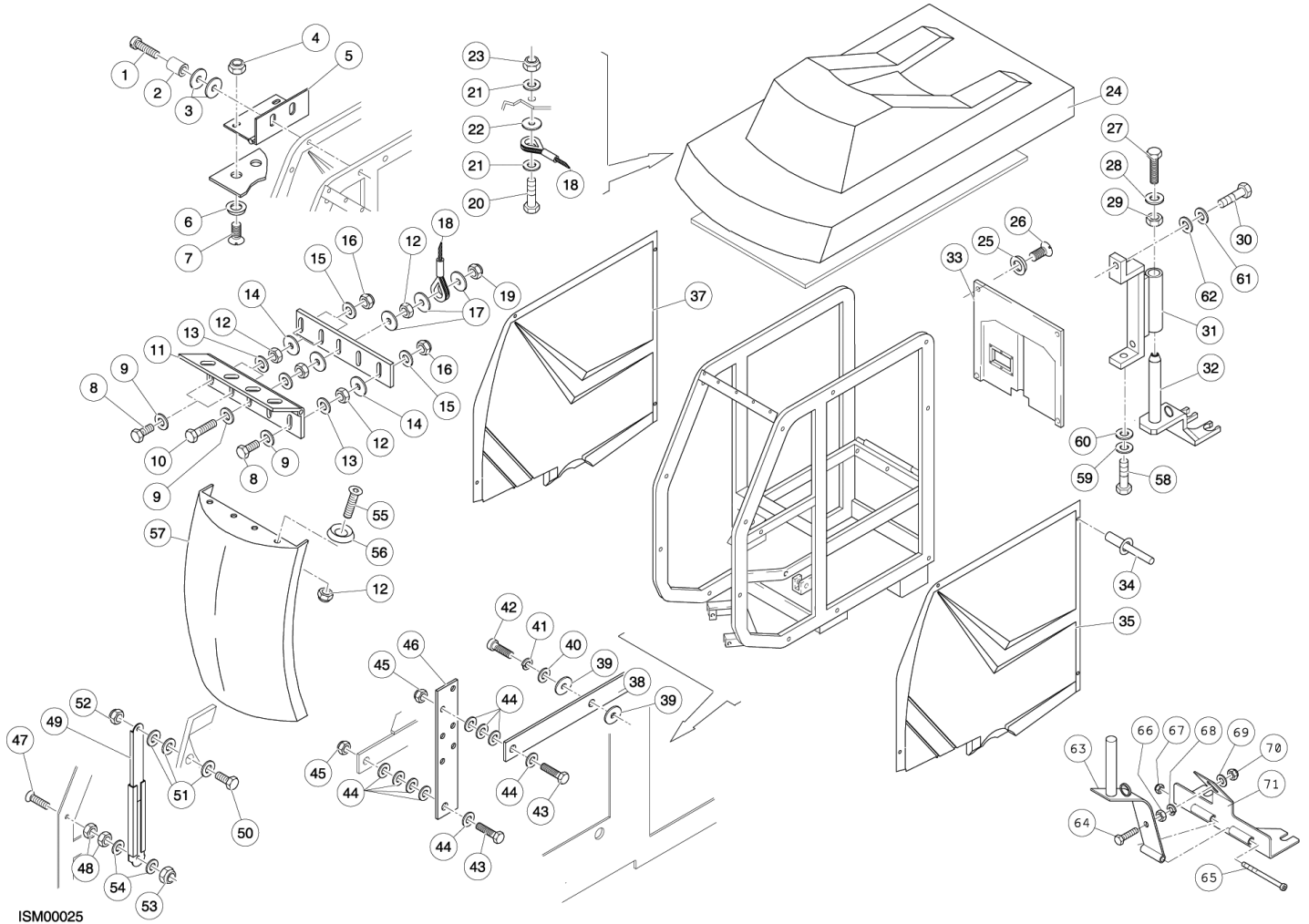
ISM00018

Ref.	K	Part N.	Customer Part N.	Description	Qty	Validity: From To	Price
0001		PMQE00146		CABLE BATTERY COMPLETE	1,00		--
0002		VTVT26818		SCREW M6x45 TSPEI UNI5933	2,00		--
0003		MPVR01072		HANDLE SB 175 A	1,00		--
0003		MPVR01072		HANDLE SB 175 A	1,00		--
0004		LAFN01322		PLATE	1,00		--
0005		MEVR00340		CONNECTOR SR 175A-24V	1,00		--
0006		VTRS07728		WASHER D. 6 INX	4,00		--
0007		VTDD01694		NUT M 6 INX	2,00		--
0008		MEVR00385		CABLE BATTERY 2X12V	1,00	07/2004	--
0009		BAAC00024		BATTERY 12V-100AH	2,00		--
0010		MEVR00337		CLAMP POS.	1,00		--
0011		MEVR00330		FUSE CF8 100A	1,00		--
0012		VTDD00030		NUT INSUL. CF 8	1,00		--
0013		MEVR00160		CLAMP NEG.	1,00		--
0014		VTDD08171		NUT M 5 TEF	2,00		--
0015		VTVT00412		SCREW TSPEI M5x40 UNI5933 inox	2,00		--
0016		MEVR00564		FUSE 2A	1,00		--
0017		VTRS07728		WASHER D. 6 INX	4,00		--
0019		MECI00115		CONTACTOR 24V-100A	4,00		--
0020		LAFN01491		BRACKET	1,00		--
0021		CMCV00083		CABLE	1,00		--
0022		MECE00092		PCB ANTIFOAMING PUMP 24V	1,00		--
0023		VTDD04369		NUT M 4 TEF UNI 7473	4,00		--
0024		VTRS00103		WASHER 4,3x9 UNI6592 TE M4	4,00		--
0025		LAFN01353		PLATE ELETRICAL 62 BF 65	1,00		--
0026		MEVR62076		BAR OMEGA EN 35	0,24		--
0027		LAFN01302		BLOCK	4,00		--
0028		MEVR00225		CLAMP CLAMP 6 MM	2,00		--
0029		MEVR00224		CLAMP 2,5mm	5,00		--
0030		MEVR00226		SEPARATOR CLAMP	1,00		--
0031		MEVR00224		CLAMP 2,5mm	11,00		--
0032		MEVR00349		CLAMP CLAMP 10 MM	8,00		--
0033		MEVR00355		CLAMP Art.284-621	2,00		--
0034		MEVR00585		FUSE 7,5 A	1,00		--
0035		MEVR00335		FUSE RESETTABLE 25A -ETA-	2,00		--
0036		MEVR00379		FUSE RESETTABLE 25A -ETA-	1,00		--
0037		MEVR00333		FUSE RESETTABLE 15A -ETA-	1,00		--
0038		MEVR00368		CLAMP	5,00		--
0039		MEVR00369		SEPARATOR CLAMP	1,00		--



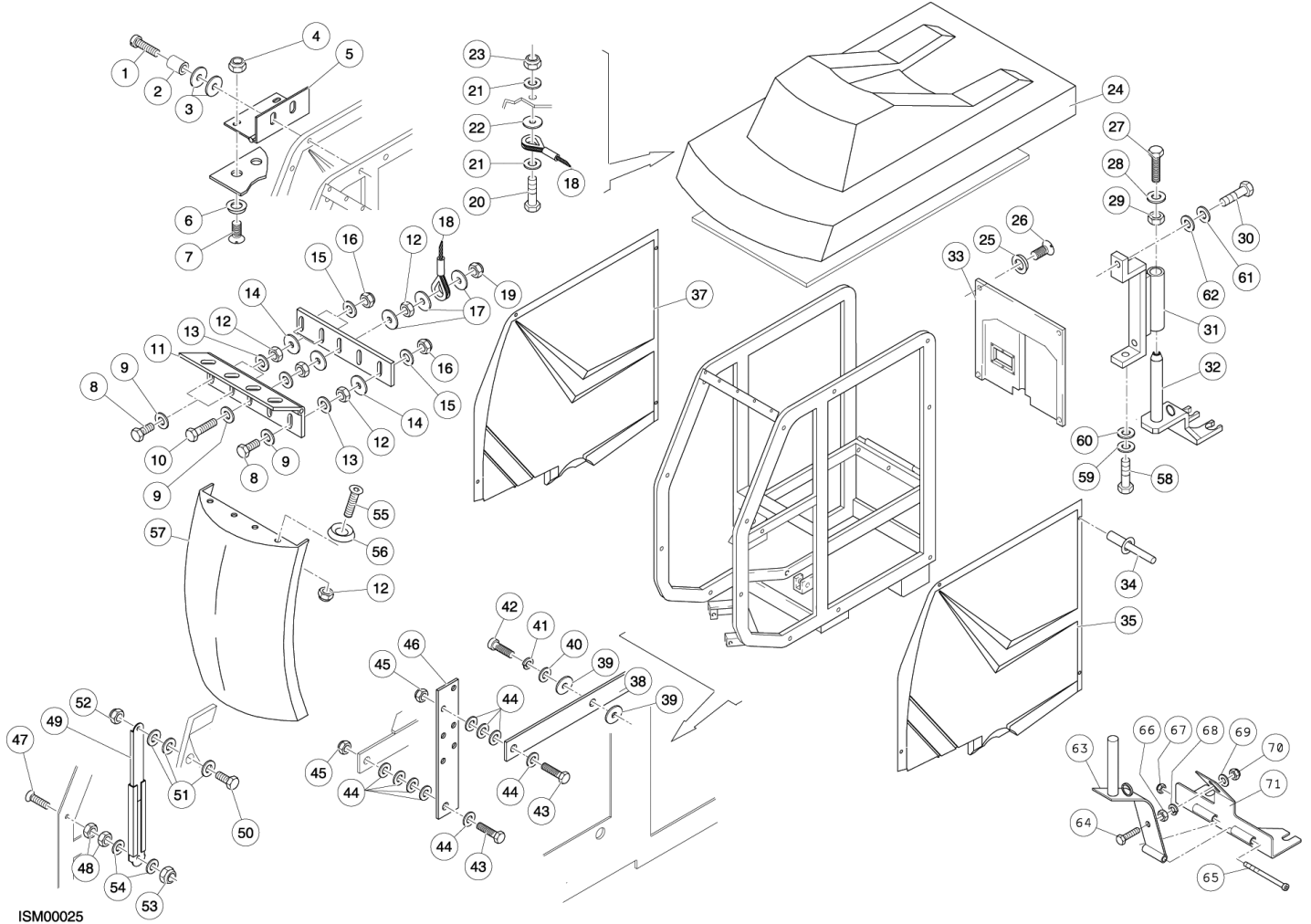
ISM00018

Ref.	K	Part N.	Customer Part N.	Description	Qty	Validity:		Price
						From	To	
0040		MEVR62076		BAR OMEGA EN 35	0,10			--
0041		PMQE00168		CABLE	1,00			--
0042		CMCV00085		CABLE TRACTION 2x6	1,00			--

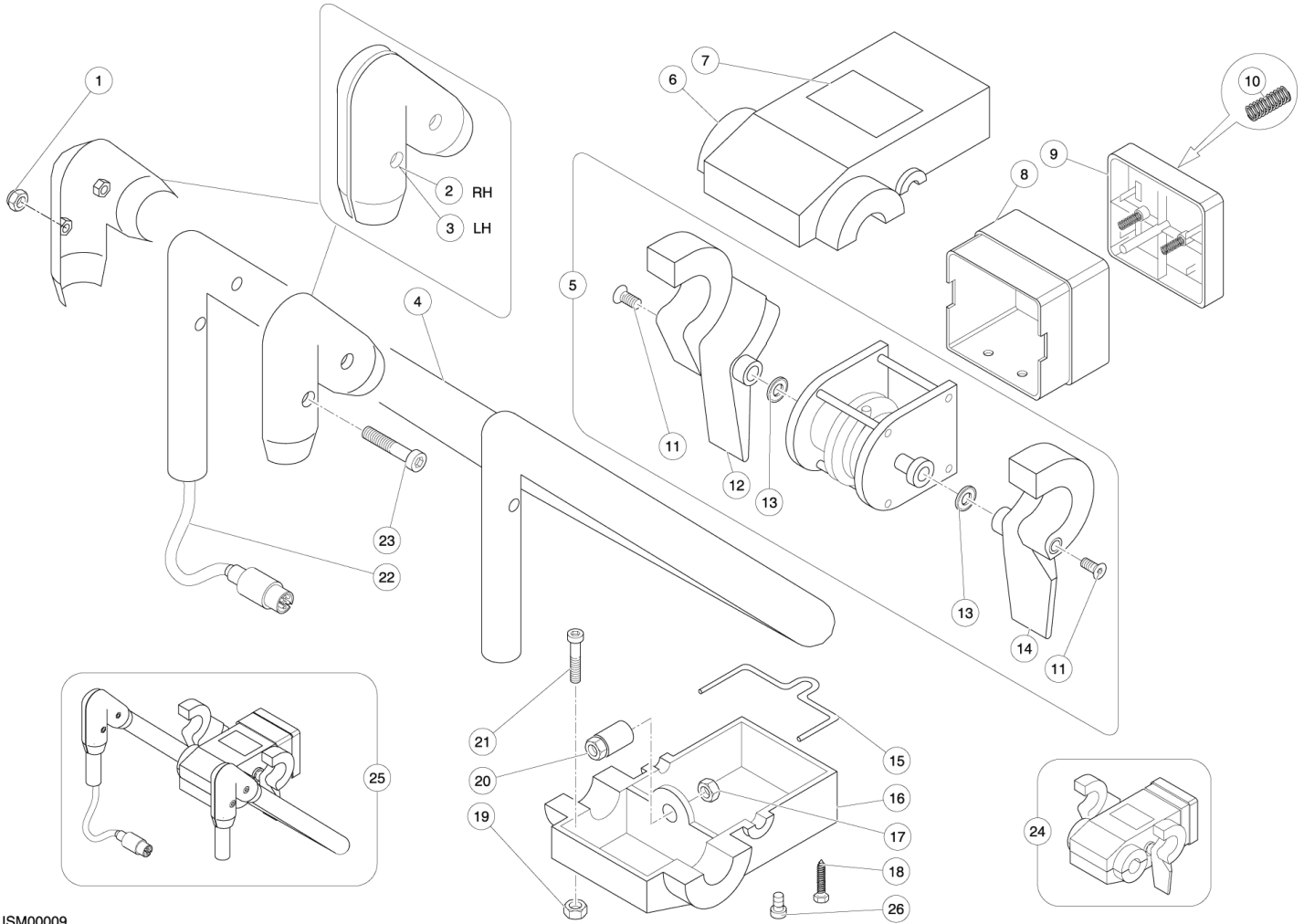


ISM00025

Ref.	K	Part N.	Customer Part N.	Description	Qty	Validity:		Price
						From	To	
0001		VTVT00415		SCREW TTCE M6x16 inox	4,00			--
0002		LAFN01250		SPACER TANK	4,00			--
0003		VTVT00416		WASHER 6x18 UNI6953 inox	8,00			--
0004		VTDD00040		NUT M5 UNI7474	4,00			--
0005		CEVR00018		HINGE 80x80x1,5 mm	2,00			--
0006		VTRS00060		WASHER D.5,3x14,5x3,2	4,00			--
0007		VTVT15937		SCREW TSPEI 5X20 UNI5933 INX	4,00			--
0008		VTVT14063		SCREW TE M 6x14 ZNT UNI 5739	3,00			--
0009		VTRS00122		WASHER 5,3x10 UNI6592 M5	9,00			--
0010		VTVT00399		SCREW TE M5x30 UNI 5739	1,00			--
0011		CEVR00021		HINGE 26/38/40/62	1,00			--
0012		VTDD08171		NUT M 5 TEF	6,00			--
0013		VTRS00011		WASHER UNI 6592 6X12 ZB	3,00			--
0014		VTRS00110		WASHER 5,5x15	8,00			--
0015		VTRS00122		WASHER 5,3x10 UNI6592 M5	3,00			--
0016		VTDD08171		NUT M 5 TEF	3,00			--
0017		VTRS00110		WASHER 5,5x15	3,00			--
0018		CMCV00071		CABLE L=385 26/40/53/62	1,00			--
0019		VTDD08171		NUT M 5 TEF	1,00			--
0020		VTVT00415		SCREW TTCE M6x16 inox	1,00			--
0021		VTRS07728		WASHER D. 6 INX	2,00			--
0022		VTVT00416		WASHER 6x18 UNI6953 inox	1,00			--
0023		VTDD13942		NUT M 6 UNI 5587 INX	1,00			--
0024		DBDB00925		COVER COMPLETE 62	1,00			--
0025		VTRS00060		WASHER D.5,3x14,5x3,2	4,00			--
0026		VTVT00234		SCREW TSPEI M5x16 UNI5933	4,00			--
0027		VTVT05759		SCREW TE M 10X 70 ZINC.UNI 5739	1,00			--
0028		VTRS00111		WASHER 11X30 UNI6593	1,00			--
0029		VTDD00484		NUT M10 ZIN UNI 5588	1,00			--
0030		VTVT15907		SCREW TE 8X25 UNI5739 INX	1,00			--
0031		LAFN01486		SUPPORT SQUEEGEE	1,00			--
0032		LAFN01389		CORNER PIECE 40/62/70/97/119	1,00		04/2007	--
0033		MEVR00401		PANEL 40/62	1,00			--
0034		VTVR00063		RIVET 4x12	8,00			--
0035		MPVR01026		BODY SIDE LEFT	1,00			--
0036		LAFN01442		HOOK BF	2,00			--
0037		MPVR01025		BODY SIDE RIGHT	1,00			--
0038		LAFN01276		PEDALE ALZA SPAZZOLA 40-62	1,00			--
0039		VTRS00507		WASHER D.14 UNI 6798	2,00			--

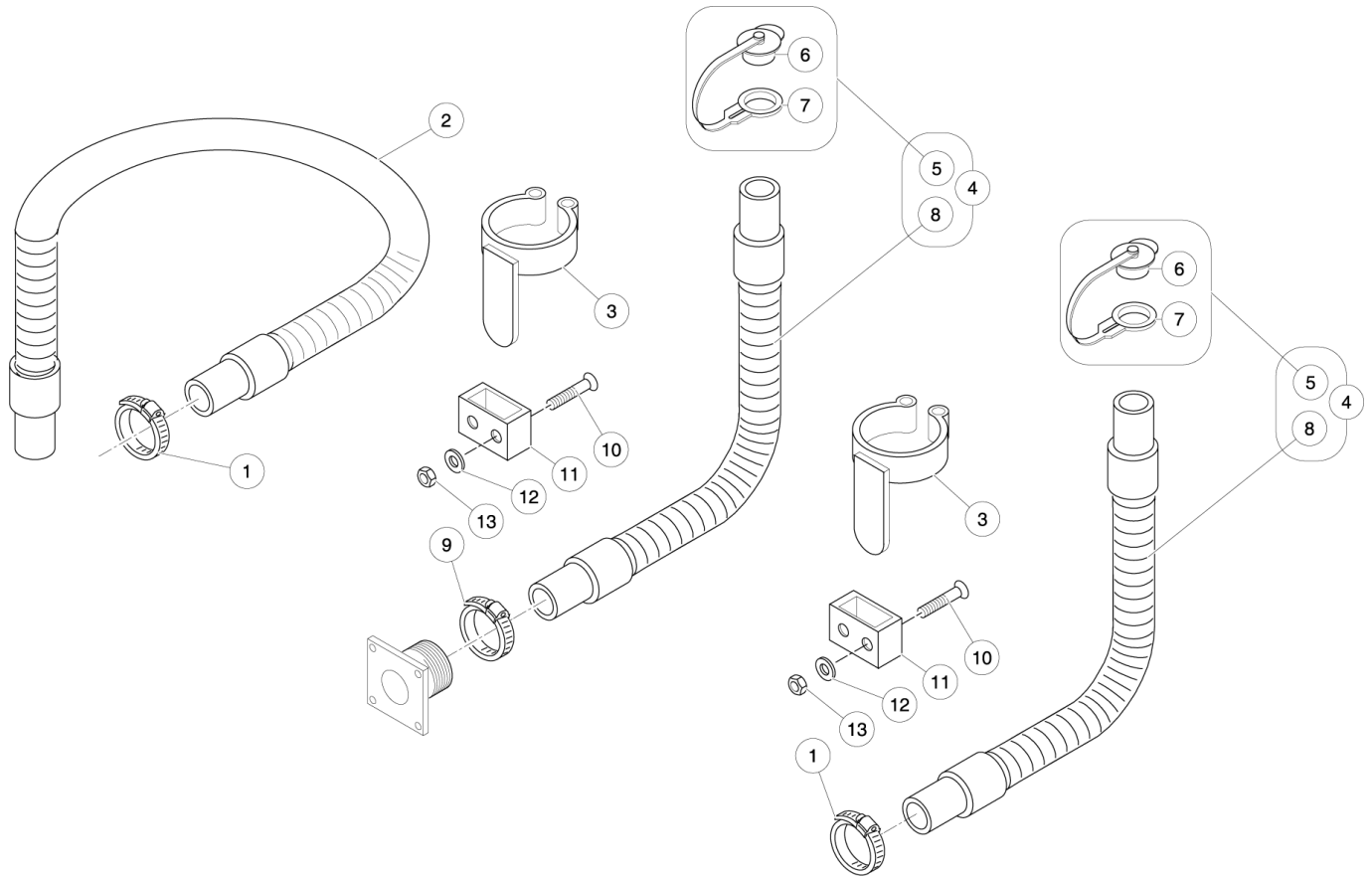


Ref.	K	Part N.	Customer Part N.	Description	Qty	Validity:		Price
						From	To	
0040		VTRS13947		WASHER D. 8 INX UNI 6592	1,00			--
0041		VTRS00135		GROWER A8,4 UNI1751	1,00			--
0042		VTVT00405		SCREW TCEI "R" M8x25 DIN7984	1,00			--
0043		VTVT01541		SCREW TE M 10x30 INOX UNI5739	2,00			--
0044		VTRS15523		WASHER D.10 X21 INOX UNI 6592	7,00			--
0045		VTDD15519		NUT M10 INOX	2,00			--
0046		LAFN02942		BRACKET	1,00			--
0047		VTVT00299		SCREW TSPEI M6x25 UNI5933	1,00			--
0048		VTDD00482		NUT M 6 ZIN UNI 5588	2,00			--
0049		LAFN01252		ARM FRONT	1,00			--
0050		VTVT00289		SCREW TE M6x20 UNI5739	1,00			--
0051		VTRS00011		WASHER UNI 6592 6X12 ZB	3,00			--
0052		VTDD00043		NUT M6 UNI7473	1,00			--
0053		VTDD00043		NUT M6 UNI7473	1,00			--
0054		VTRS00011		WASHER UNI 6592 6X12 ZB	2,00			--
0055		VTVT00234		SCREW TSPEI M5x16 UNI5933	3,00			--
0056		VTRS00060		WASHER D.5,3x14,5x3,2	3,00			--
0057		MPVR01027		COVER FRONT 40/62	1,00			--
0058		VTVT00422		SCREW TE M 12X 30 UNI 5739	1,00			--
0059		VTRS15919		WASHER D.12 GROVER UNI 1751 INX	1,00			--
0060		VTRS15978		WASHER D.12X24 UNI 6592 INX	1,00			--
0061		VTRS15146		WASHER D. 8 INX GRW UNI 1751	1,00			--
0062		VTRS01776		WASHER D. 8 X17 INX UNI 6593	1,00			--
0063		GUVR00041		GASKET UPPER COVER TANK	1,00			--
0063		LAFN05874		BRACKET	1,00	04/2007		--
0064		VTVT00728		SCREW TE M. 8-55	1,00	04/2007		--
0065		VTVT67560		SCREW TCEI M8X110 INOX AISI 304	1,00	04/2007		--
0066		VTDD15521		NUT M 8 INX A2 UNI 5588	1,00	04/2007		--
0067		VTDD01695		NUT M 8 INX	1,00	04/2007		--
0068		VTRS15146		WASHER D. 8 INX GRW UNI 1751	1,00	04/2007		--
0069		VTRS13947		WASHER D. 8 INX UNI 6592	1,00	04/2007		--
0070		VTDD01695		NUT M 8 INX	1,00	04/2007		--
0071		LAFN05875		SUPPORT SQUEEGEE	1,00	04/2007		--



ISM00009

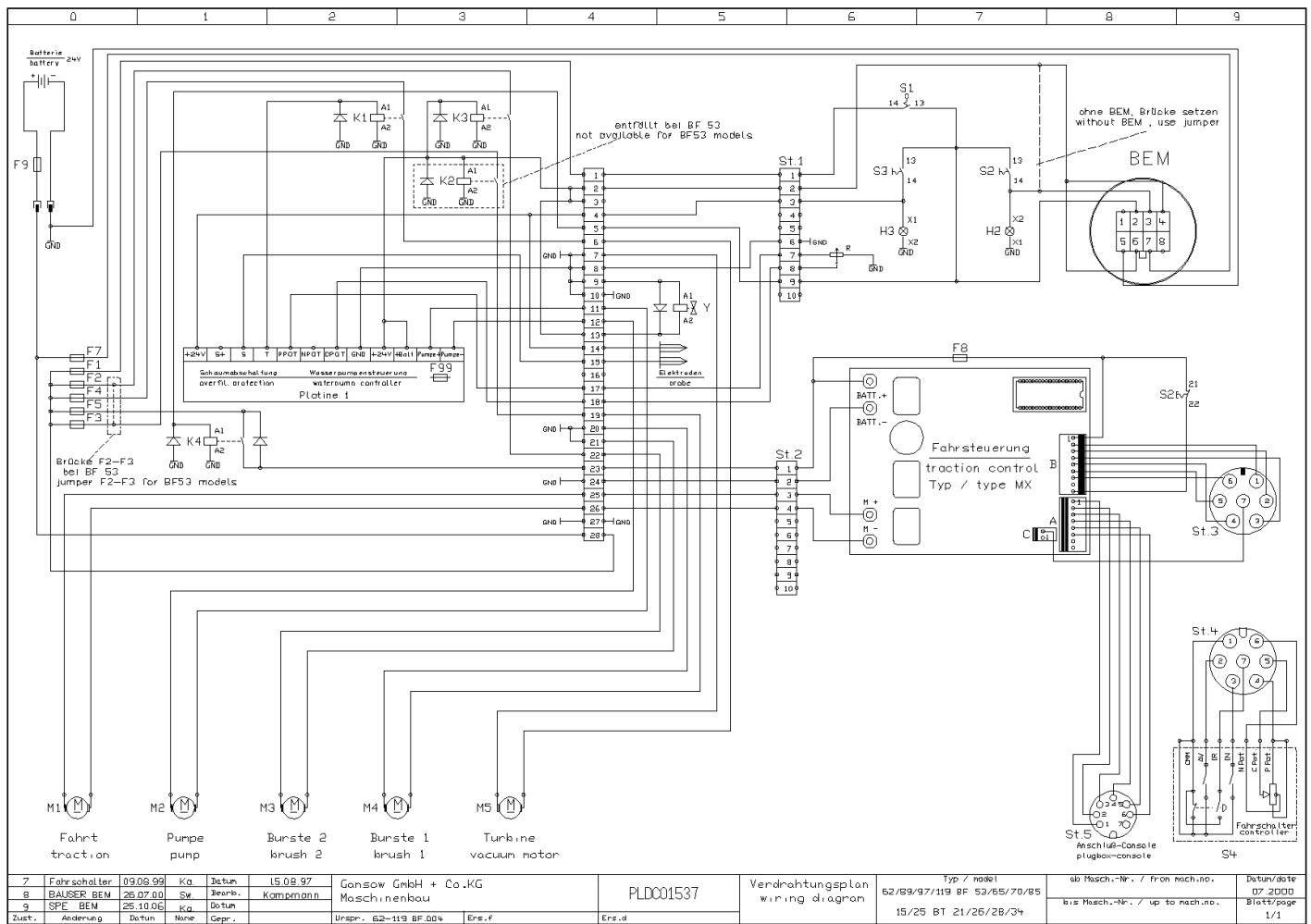
Ref.	K	Part N.	Customer Part N.	Description	Qty	Validity:		Price
						From	To	
0001		VTDD00040		NUT M5 UNI7474	4,00			--
0002		MPVR01086		COVER CURVE, HANDLE, RIGHT	1,00			--
0003		MPVR01087		COVER CURVE, HANDLE, LEFT	1,00			--
0004		LAFN01453		HANDLEBAR 40-62 BF	1,00			--
0005		MECI00084		POTENTIOMETER TRACTION	1,00			--
0006		MPVR01079		UPPER SHELL	1,00			--
0007		ETET00167		ADHESIVE -GANSOW DIGI CONTROL-	1,00			--
0008		LAFN01338		PLATE HANDLE PROTECTION	1,00			--
0009		MPVR01080		BUTTON "DEAD MAN SWITCH"	1,00			--
0010		MLML00289		SPRING D.7 P.3 H.26	2,00			--
0012		MPVR04854		LEVER 14675	1,00			--
0013		GUVR01001		GASKET NAK VG 12x19x3	2,00			--
0014		MPVR04855		LEVER 14676	1,00			--
0015		GUVR01000		GASKET CONTROLLER	1,00			--
0016		MPVR01081		LOWER SHELL	1,00			--
0018		VTVT01318		SCREW TCB T-C-F-R 5X18 ZICH.NER	2,00			--
0019		VTDD00482		NUT M 6 ZIN UNI 5588	2,00			--
0020		MEVR00161		CABLE CLAMP PG7 H 1007	1,00			--
0021		VTVT33568		SCREW TCEI M 6X45 UNI 5931	2,00			--
0022		CMCV00063		CABLE 7x0,5 L=1050 mm	1,00			--
0023		VTVT00185		SCREW TCEI M5x35 DIN912	4,00			--
0024		MECE00250		SAFETY-DEVICE 40/62 BF	1,00			--
0025		DBDB00950		HANDLEBAR 40-51-62-89	1,00			--
0026		VTVT00339		SCREW TCEI M5x20	6,00			--



ISM00011

Ref. K	Part N.	Customer Part N.	Description	Qty	Validity:		Price
					From	To	
0001	MEVR00370		CLAMP 44mm - 47,5mm	2,00			--
0002	TBFX00011		TUBE L=720	1,00			--
0003	MPVR01097		HOOK DRAIN HOSE	2,00			--
0004	TBFX00013		TUBE DRAINAGE L=800	2,00			--
0005	RCVR00126		CAP DRAIN HOSE	2,00			--
0008	TBFX00053		TUBE DRAINAGE L=800	2,00			--
0009	MEVR00371		CLAMP HCL-U	1,00			--
0010	VTVT00877		SCREW TSPEI UNI5933	4,00			--
0011	RCVR00125		JOINT	2,00			--
0012	VTRS00515		WASHER D. 4 INX	4,00			--
0013	VTDD15925		NUT M 4 INX	4,00			--

Ref. K	Part N.	Customer Part N.	Description	Qty	Validity:		Price
					From	To	
0001	ETET00211		ADHESIVE "BRUSH UP" 24X24	1,00			--
0002	ETET00210		ADHESIVE -BUSH ON-	1,00			--
0003	ETET00214		ADHESIVE -SQUEEGEE UP-	1,00			--
0004	ETET00216		ADHESIVE -VACUUM-	1,00			--
0005	ETET00258		ADHESIVE -WATER- D.55	1,00			--
0006	ETET00212		ADHESIVE "BRUSH DOWN" 24X24	1,00			--
0007	ETET00215		ADHESIVE -SQUEEGEE DOWN-	1,00			--
0008	ETET00198		ADHESIVE 62BF65 H=4	2,00			--
0009	ETET01409		ADHESIVE "F.8" 25X25	1,00			--
0010	ETET00152		ADHESIVE -CHARGING PLUG-	1,00			--
0011	ETET00196		ADHESIVE "GANSOW" 285x30	2,00			--
0012	ETET00182		ADHESIVE -GANSOW- 700x70	1,00			--



Ref.	K	Part N.	Customer Part N.	Description	Qty	Validity:		Price
						From	To	
00K1		MECI00115		CONTACTOR 24V-100A	1,00			--
00K2		MECI00115		CONTACTOR 24V-100A	1,00			--
00K3		MECI00115		CONTACTOR 24V-100A	1,00			--
00K4		MECI00115		CONTACTOR 24V-100A	1,00			--
00M1		MOCC00043		MOTOR MRP4DS V24 W200 G120	1,00			--
00M2		PPBP00008		PUMP 24V	1,00			--
00M3		MOCC00046		MOTOR MRP6V24 W250 G180	1,00			--
00M4		MOCC00046		MOTOR MRP6V24 W250 G180	1,00			--
00M5		MOMO00014		TURBINE 24V	1,00			--
0BEM		MESB00025		HOUR-COUNTER BAUSER 24V TYPO 855 24VDC	1,00			--