



IPC Integrated Professional Cleaning

IPC Gansow

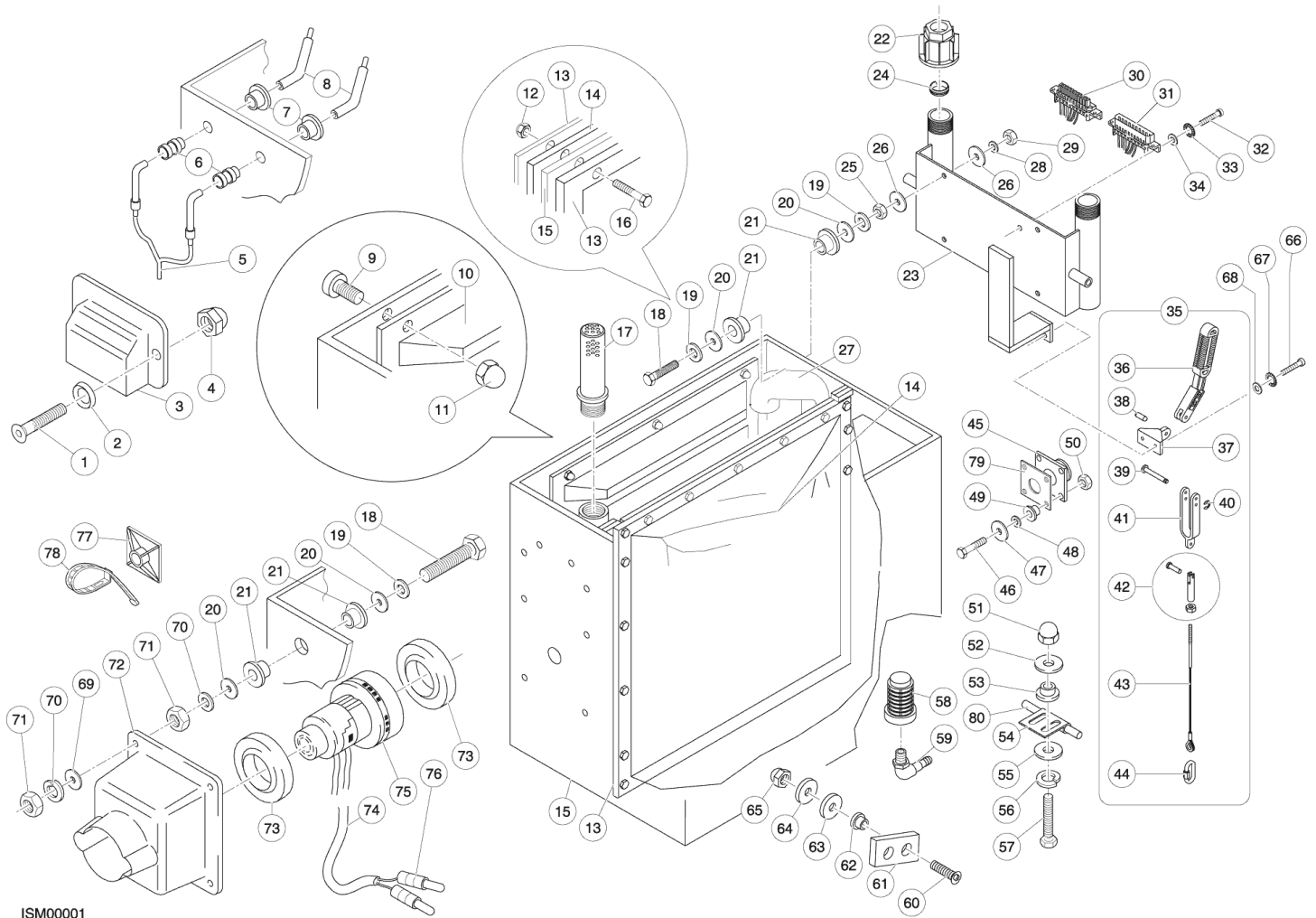
Spare Parts List

IPC . EAGLE

Ref: LPTB01099

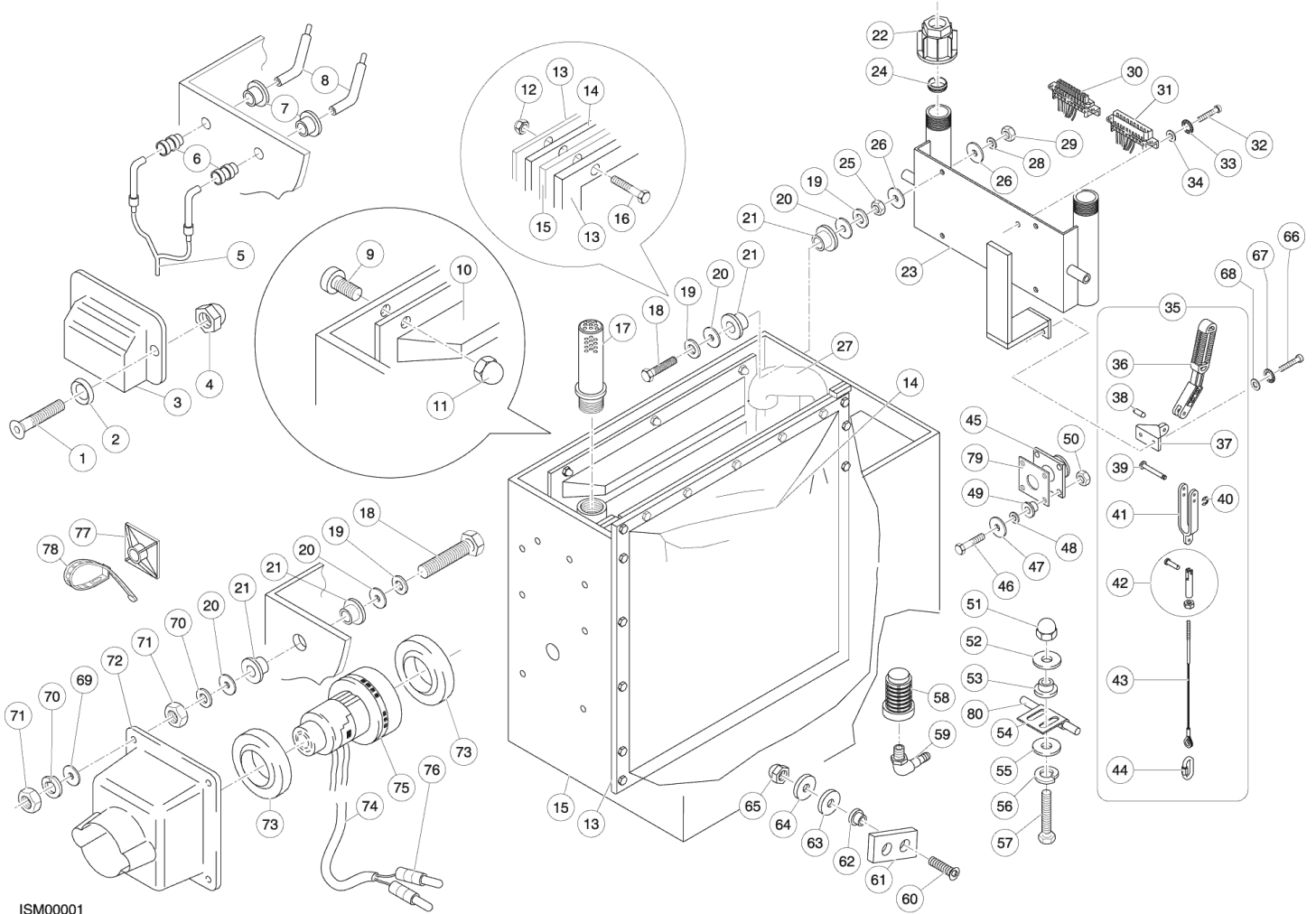
Model: LAVASCIUGA 97 BF 85 - PAD

3-01GSW



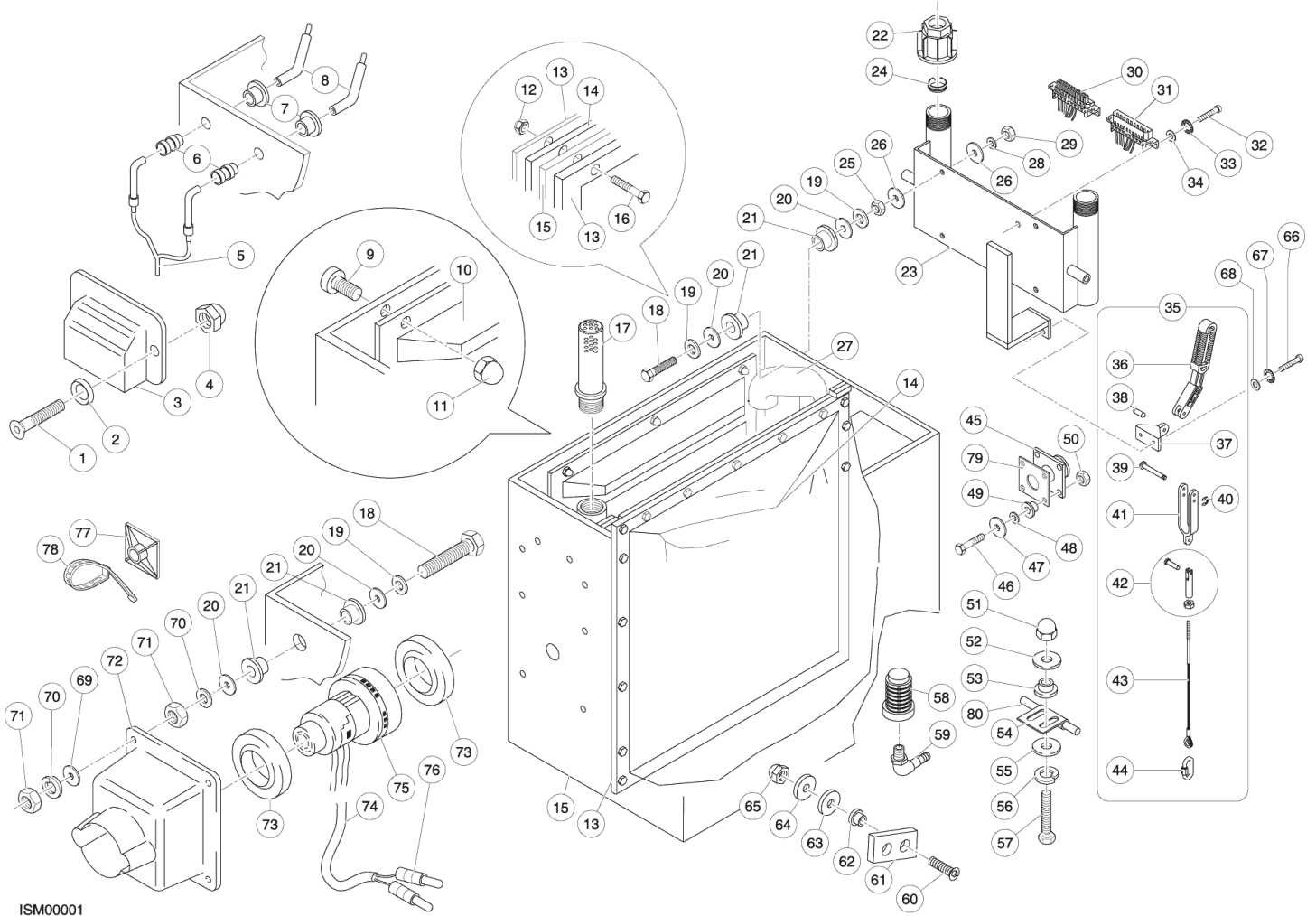
ISM00001

Ref.	K	Part N.	Customer Part N.	Description	Qty	Validity: From To	Price
0001		VTVT15937		SCREW TSPEI 5X20 UNI5933 INX	2,00		--
0002		VTRS00060		WASHER D.5,3x14,5x3,2	2,00		--
0003		MPVR01135		COVER	1,00		--
0004		VTDD14407		NUT M 5 INX A2	2,00		--
0005		MEVR00453		ELECTRODES CABLLenght 1750 mm	1,00		--
0006		MEVR00161		CABLE CLAMP PG7 H 1007	2,00		--
0007		GUVR00034		GASKET electrodes	2,00		--
0008		MECI00386		ELECTRODE 62-88-70-97-119	2,00	02/2004	--
0009		VTVT00415		SCREW TTCE M6x16 inox	10,00		--
0010		LAFN02969		PANEL 97BF/BF S	2,00		--
0011		VTDD48188		NUT M 6 CIE. INX A2 UNI 5721	10,00		--
0012		VTDD48188		NUT M 6 CIE. INX A2 UNI 5721	36,00		--
0013		KTRI19621		GASKET 97	1,00	06/2004	--
0013		LAFN01439		Membrane's fram	1,00		--
0014		DBDB00940		PROTECTION	1,00		--
0015		MPVR01600		WATER TANK 97BF/BF S	1,00		--
0016		VTVT15141		SCREW TE M 6X 25 UNI 5739 INX	36,00		--
0017		MPVR01049		FILTER AIR INLET	1,00		--
0018		VTVT00392		SCREW M6x35 UNI5739 inox	4,00		--
0019		VTRS07728		WASHER D. 6 INX	8,00		--
0020		VTRS13947		WASHER D. 8 INX UNI 6592	8,00		--
0021		VTRS00052		WASHER D.6	16,00		--
0022		VTVR00086		RING NUT	2,00		--
0023		LAFN01408		SUPPORT	1,00		--
0024		PVVR00002		RING	2,00		--
0025		VTDD15520		NUT M 6 A2 UNI 5588 INX	4,00		--
0026		VTVT00416		WASHER 6x18 UNI6953 inox	4,00		--
0027		FSVR00018		HOSE COLLAR 180°	1,00		--
0028		VTRS15144		WASHER D. 6 INX GRW UNI 1751	4,00		--
0029		VTDD15520		NUT M 6 A2 UNI 5588 INX	4,00		--
0030		MEVR00394		PLUG WEIDMUELLER 10 p FEMALE	1,00		--
0031		MEVR00188		PLUG "WEIDMUELLER" 10p. MALE	1,00		--
0032		VTVT00413		SCREW TCEI M5x8 UNI5931 inox	2,00		--
0033		VTRS03924		WASHER D. 5 DIN 6798E	2,00		--
0034		VTRS00516		WASHER D. 5 INX	2,00		--
0035		DBDB00947		SQUEEGEE LIFTER70-88-97-119	1,00		--
0036		MPVR01088		HANDLE	1,00		--
0037		MPVR01089		SUPPORT	1,00		--
0038		MEVR00173		PLUG M5X18 DIN1475	1,00		--



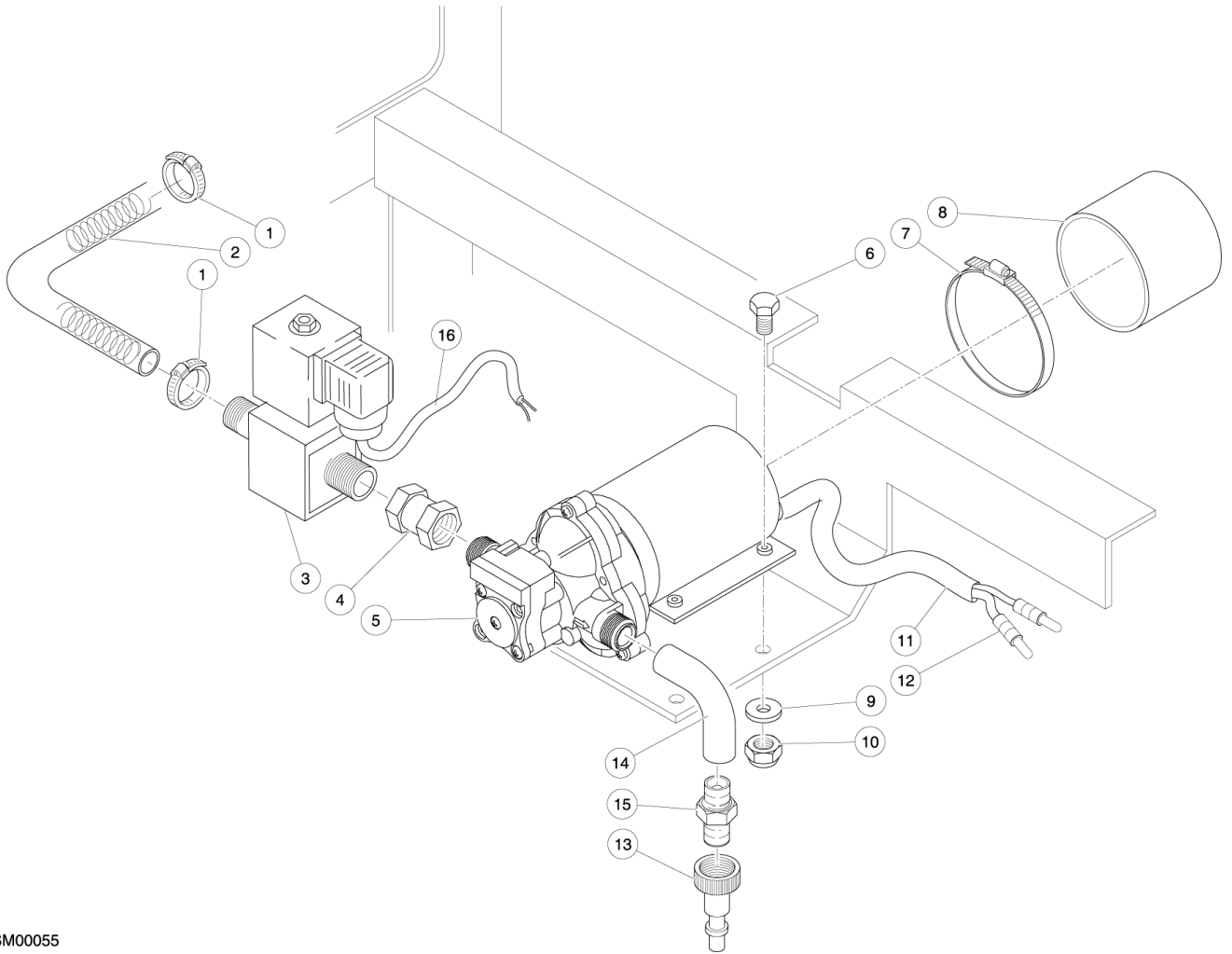
ISM00001

Ref. K	Part N.	Customer Part N.	Description	Qty	Validity:		Price
					From	To	
0039	LAFN01335		PIN 40x5mm	1,00			--
0040	VTRS00057		WASHER 5mm A2	1,00			--
0041	CMCV00068		FORK 3,0mm	1,00			--
0042	CMCV00070		FORK	1,00			--
0043	CMCV00076		CABLE 7x19 L=410mm	1,00			--
0044	VTVR00082		SPRING CATCH INOX 5mm	1,00			--
0045	LAFN01402		FLANGE 1 1/4" A.304	1,00			--
0046	VTVT13939		SCREW TE 6X20 UNI5739 INX	4,00			--
0047	VTRS07728		WASHER D. 6 INX	4,00			--
0048	VTRS01776		WASHER D. 8 X17 INX UNI 6593	4,00			--
0049	VTRS00052		WASHER D.6	4,00			--
0050	VTDD01694		NUT M 6 INX	4,00			--
0051	VTDD15911		NUT M8 UNI5721	4,00			--
0052	VTRS15523		WASHER D.10 X21 INOX UNI 6592	4,00			--
0053	VTRS00053		WASHER 8°	4,00			--
0054	CEVR00016		HINGE SERBATOIO	2,00			--
0055	VTRS13947		WASHER D. 8 INX UNI 6592	4,00			--
0056	VTRS00135		GROWER A8,4 UNI1751	3,00			--
0057	VTVT00410		SCREW TE M8x35 UNI5739 INOX	3,00			--
0058	FTAC00001		FILTER 1/2"	1,00			--
0059	RCVR00109		CURVE 90°	2,00			--
0060	VTVT00427		SCREW TSPEI 8X35 UNI5933 INX	2,00			--
0061	LAFN01281		BLOCK ANTIRIBALTAMEN. SERBATOIO	1,00			--
0062	VTRS00053		WASHER 8°	4,00			--
0063	VTRS01776		WASHER D. 8 X17 INX UNI 6593	2,00			--
0064	VTRS15523		WASHER D.10 X21 INOX UNI 6592	2,00			--
0065	VTDD00052		NUT M8 DIN 1587	2,00			--
0066	VTVT00428		SCREW TCEI 6X20 UNI5931 INX	2,00			--
0067	VTRS15144		WASHER D. 6 INX GRW UNI 1751	2,00			--
0068	VTVT00416		WASHER 6x18 UNI6953 inox	2,00			--
0069	VTRS16937		WASHER 6x24 INOX UNI 6593	4,00			--
0070	VTRS15144		WASHER D. 6 INX GRW UNI 1751	4,00			--
0071	VTDD15520		NUT M 6 A2 UNI 5588 INX	4,00			--
0072	MPVR01136		PROTECTION VACUUM	1,00			--
0073	GUVR00027		RING VACUUM	2,00			--
0074	CMCV00058		CABLE L= 1 Mt	1,00			--
0075	MOMO00014		TURBINE 24V	1,00			--
0076	MEVR00748		CONNECTOR D.5 BLU	2,00	02/2004		--
0077	MECE00246		TERMINAL BOARD 25X25	4,00			--



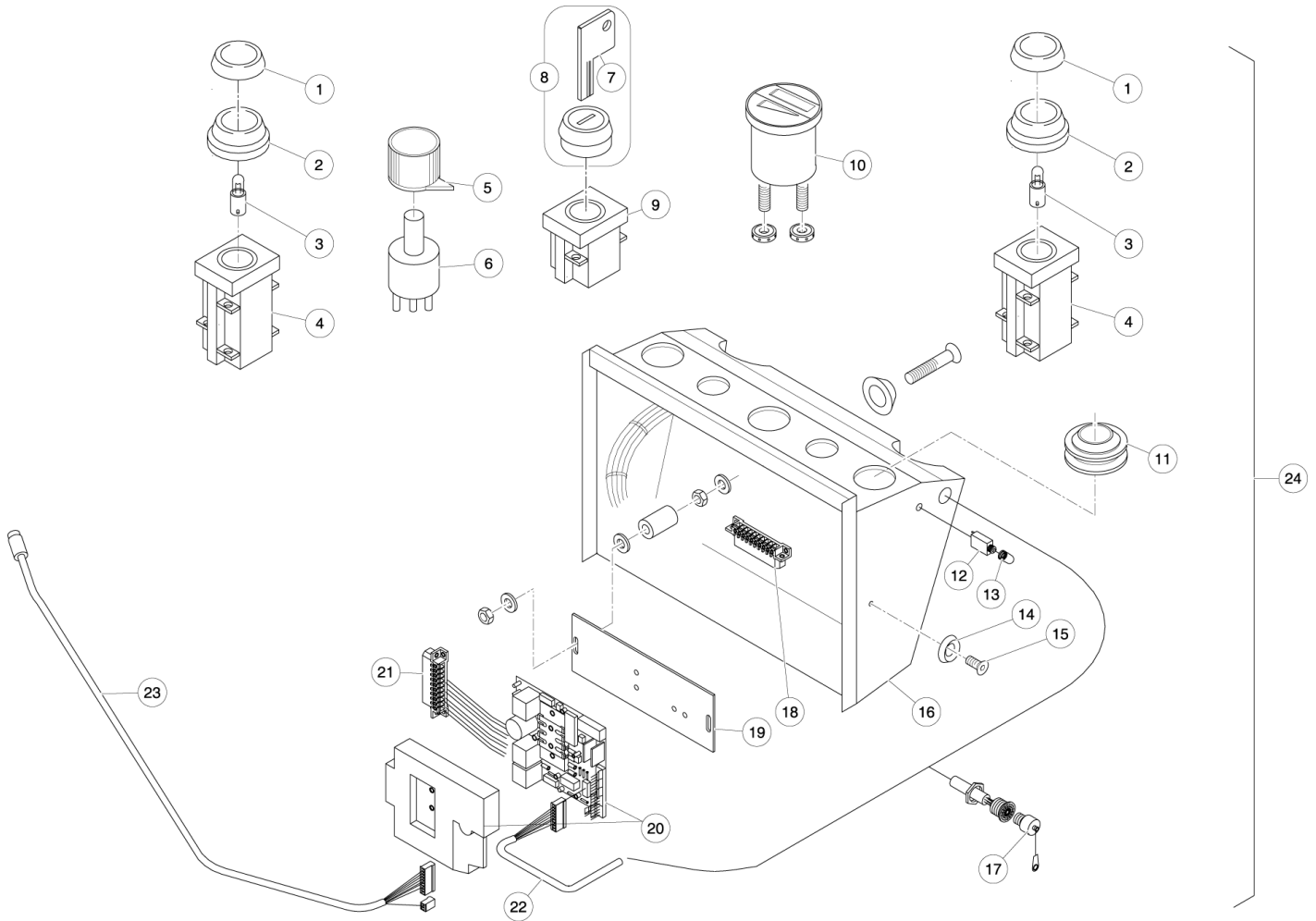
ISM00001

Ref. K	Part N.	Customer Part N.	Description	Qty	Validity:		Price
					From	To	
0078	FSVR00050		CLAMP 3,5X140	3,00	03/2004		--
0079	GUVR01006		GASKET	1,00	06/2004		--
0080	LAFN02965		ROD L=445 70/97/119	1,00			--
0081	CMCV00084		CABLE 9 x 1,5	1,00			--



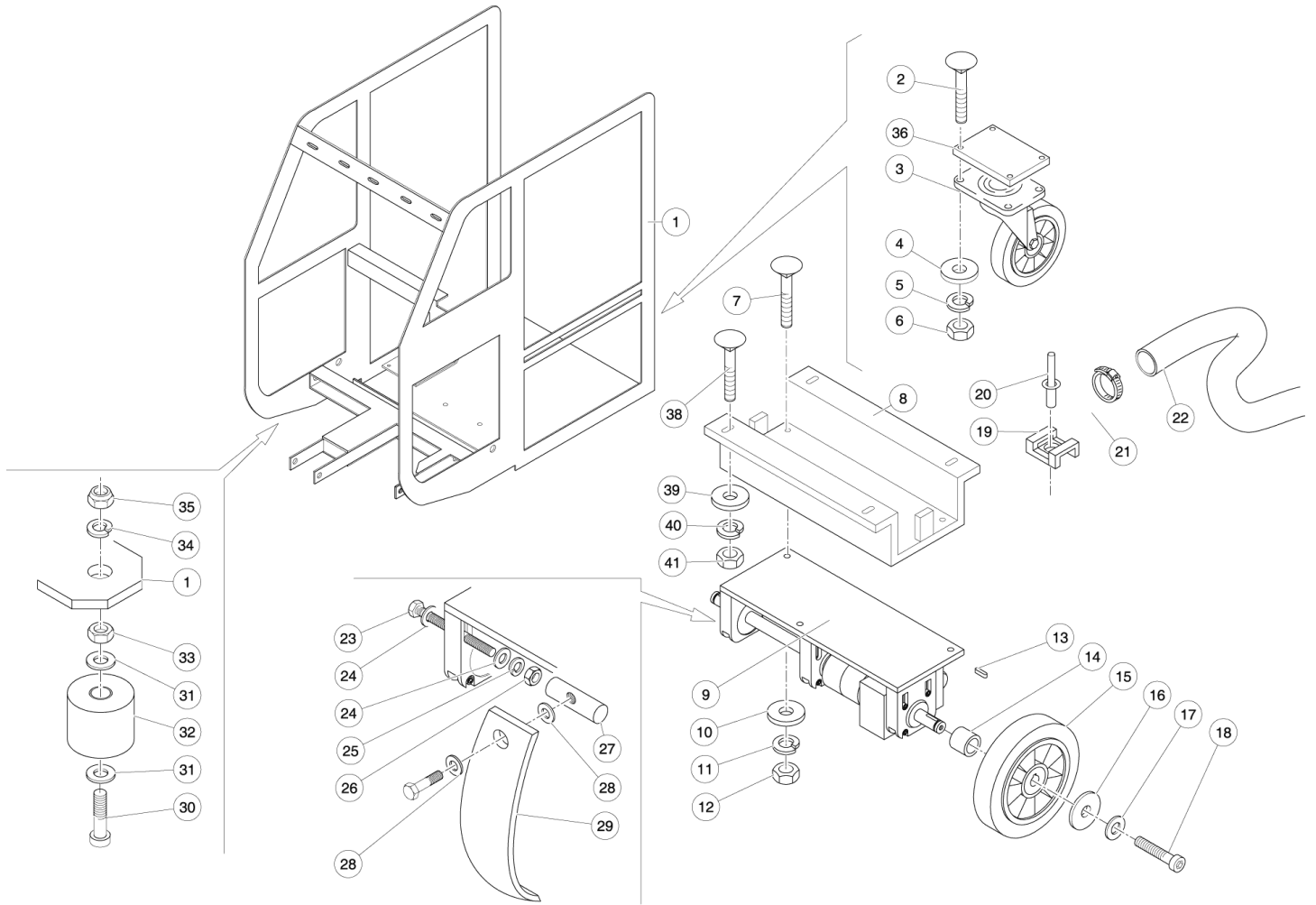
ISM00055

Ref. K	Part N.	Customer Part N.	Description	Qty	Validity:		Price
					From	To	
0001	MEVR00372		CLAMP 18,2 - 20,5	2,00			--
0002	TBBP00045		TUBE PVC 13X18	1,40			--
0003	MECI00073		SOLENOID VALVE 24V 3/8"	1,00			--
0004	RCVR00278		REDUCTION 1/2"F-3/8"F	1,00			--
0005	PPBP00008		PUMP 24V	1,00			--
0006	VTVT15145		SCREW TE 6X40 UNI5739 INX	4,00			--
0007	FSVR00052		CLAMP 2,5X100	4,00			--
0008	MPVR01098		CAP PUMP	1,00			--
0009	VTRS15144		WASHER D. 6 INX GRW UNI 1751	4,00			--
0010	VTDD00053		NUT M6 INOX UNI5589	4,00			--
0011	MEVR01649		SHEATH D.12	0,40			--
0012	MEVR00318		CABLE 2x1,5 L=1,40 mt	1,00			--
0013	RCVR00103		JOINT R 1/2"	1,00			--
0014	RCVR00094		CURVE 90° 1/2" F/F	1,00			--
0015	RCVR00093		NIPPLE 1/2"M-1/2"M L=30	1,00			--
0016	DBDB00909		CABLE	1,00	11/2003		--



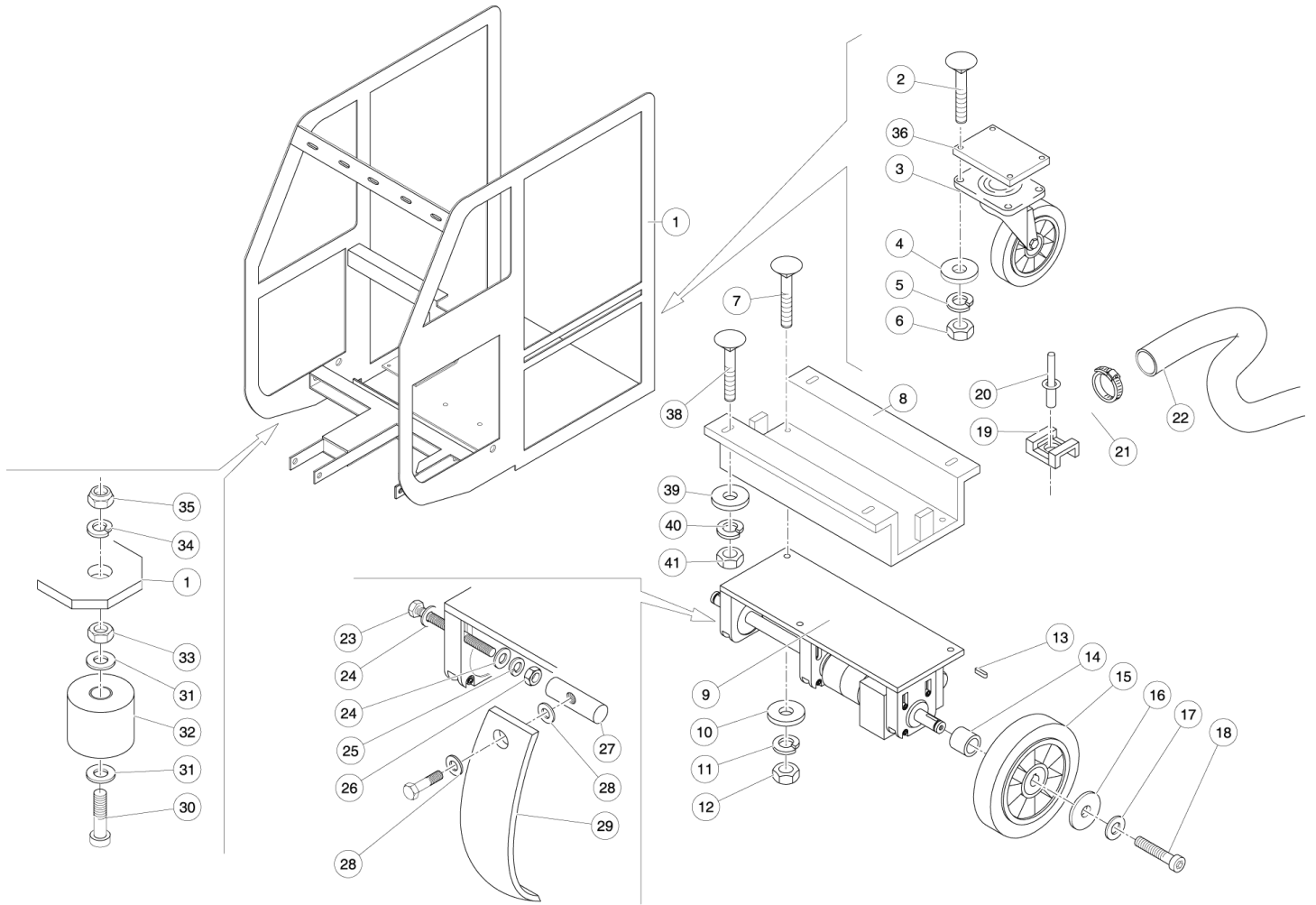
ISM00003

Ref. K	Part N.	Customer Part N.	Description	Qty	Validity:		Price
					From	To	
0001	MPVR01061		PROTECTION INTERR.	2,00			--
0002	MECI00051		SWITCH GREEN	2,00			--
0003	MEVR00193		LAMP 24V 1,2W	2,00			--
0004	LAFN01300		FRUIT X INT.	2,00			--
0005	MPVR01118		KNOB POTENTIOMETER	1,00			--
0006	MECI00046		POTENTIOMETER 24V 22KOhm	1,00			--
0007	AZMC00007		DIASASS.SPANNERSCRUBBER AND 105/125/130B	1,00			--
0008	MECE00047		SELECTOR 0°-45°	1,00			--
0009	MECE00046		FRUIT SELECT.	1,00			--
0010	MESB00025		HOUR-COUNTER BAUSER 24V TYPO 855 24VDC	1,00	02/2004		--
0011	GUVR00035		GASKET HANDLE	2,00			--
0012	MEVR00338		FUSE RESETTABLE 2A -ETA-	1,00			--
0013	MECE00056		COVER AUT. FUSE	1,00			--
0014	VTRS00060		WASHER D.5,3x14,5x3,2	2,00			--
0015	VTVT00424		SCREW M 5X 45 TSPEI UNI 5933	2,00			--
0016	MPVR00981		INSTR.PANEL 88-97-119	1,00			--
0017	RCVR00119		CAP PANEL	1,00			--
0018	MEVR00188		PLUG "WEIDMUELLER" 10p. MALE	1,00			--
0019	LAFN01455		PLATE CHOPPER	1,00			--
0020	MECE00075		CHOPPER MXB 24/35	1,00			--
0021	MEVR00394		PLUG WEIDMUELLER 10 p FEMALE	1,00			--
0022	MEVR00258		CABLE PROGR.ZAPI	1,00			--
0023	CMCV00064		CABLE	1,00			--
0024	MPVR01602		INSTR.PANEL 88/97/119 BF	1,00			--



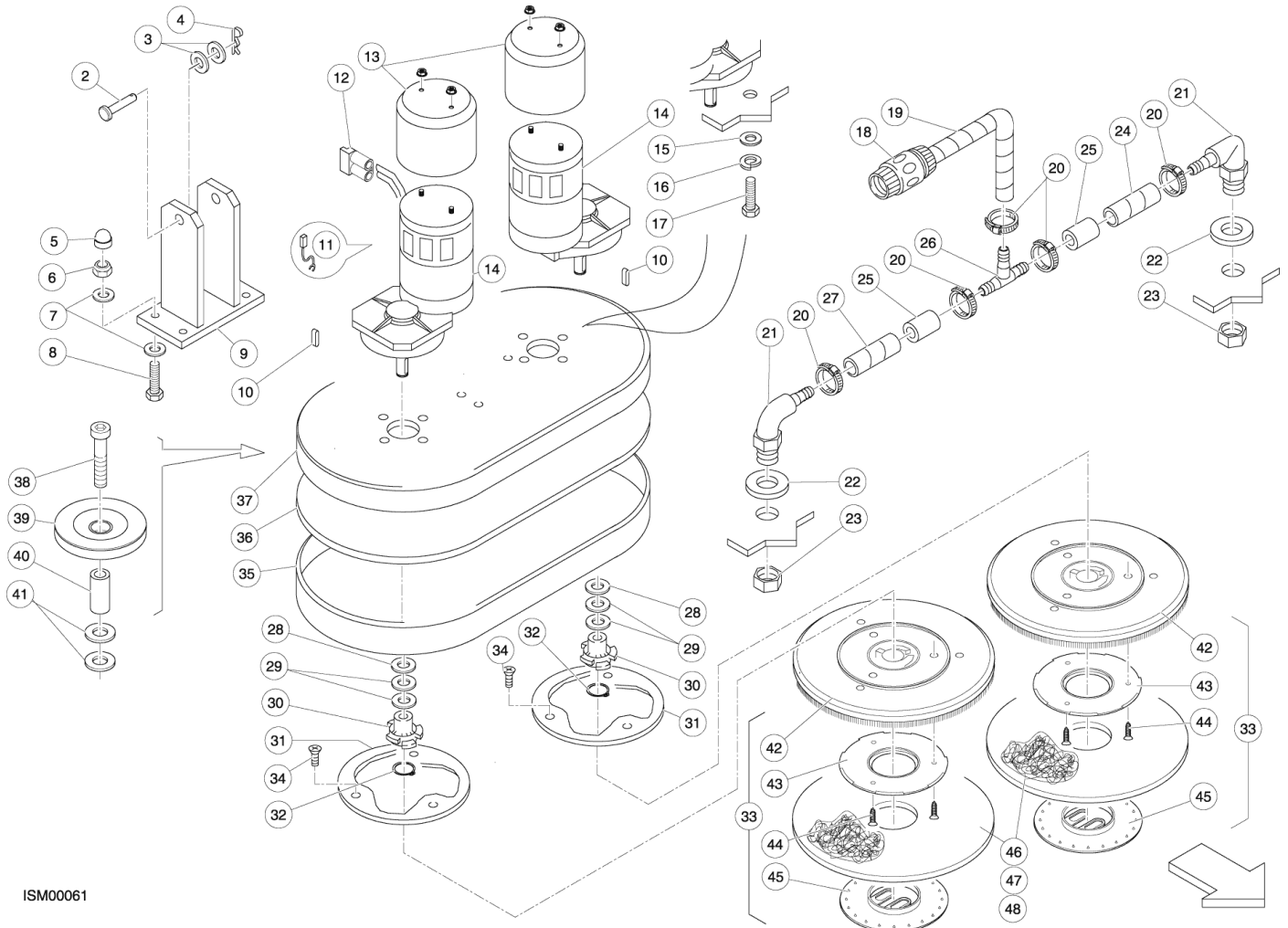
ISM00051

Ref. K	Part N.	Customer Part N.	Description	Qty	Validity:		Price
					From	To	
	VTRS86634		WASHER 6X18X1,5 UNI6593	2,00			--
0001	LAFN01415		FRAME	1,00			--
0002	VTVT00155		SCREW TTQS M8x25 DIN603 ZNT	4,00			--
0003	RTRT00064		TURNING WHEEL D.160	4,00			--
0004	VTRS00513		WASHER D. 8 X32 P.	4,00			--
0005	VTRS01080		WASHER D. 8 GRW	4,00			--
0006	VTDD00483		NUT M 8 ZIN UNI 5588	4,00	11/2003		--
0007	VTVT00326		SCREW TTQST M8x30 UNI5592	4,00			--
0008	LAFN01421		SUPPORT TRACTION MOTOR	1,00			--
0009	MOCC00048		TRACTION MOTOR MRP4DSV24 W400 G130	1,00			--
0010	VTRS13947		WASHER D. 8 INX UNI 6592	3,00			--
0011	VTRS00135		GROWER A8,4 UNI1751	4,00			--
0012	VTDD15521		NUT M 8 INX A2 UNI 5588	4,00			--
0013	VTVR21944		KEY 6X6X30	2,00			--
0014	LAFN01343		BUSHING 30x10 D.19 H7	2,00			--
0015	RTRT00061		WHEEL 200mm	2,00			--
0016	VTRS00044		WASHER 30x6x3	2,00			--
0017	VTRS15144		WASHER D. 6 INX GRW UNI 1751	2,00			--
0018	VTVT00264		SCREW TCEI M6x16 UNI5931	2,00			--
0019	MECE00255		TERMINAL BOARD	1,00			--
0020	VTVR00073		RIVET 4X12	1,00	05/2004		--
0021	FSVR00052		CLAMP 2,5X100	1,00			--
0022	MEVR01649		SHEATH D.12	0,70	10/2003		--
0023	VTVT00414		SCREW TE M6x100 UNI5739	1,00			--
0024	VTVT00416		WASHER 6x18 UNI6953 inox	2,00			--
0025	VTRS15144		WASHER D. 6 INX GRW UNI 1751	1,00			--
0026	VTDD00053		NUT M6 INOX UNI5589	1,00			--
0027	MEVR00622		CLAMP 12x20	1,00			--
0028	VTRS00110		WASHER 5,5x15	2,00			--
0029	MECI00192		ELEC. PROTECTOR	1,00			--
0030	VTVT00317		SCREW TCEI M6x75 UNI5931	1,00			--
0032	ABGO00017		PLUG D.40x50	1,00			--
0033	VTDD00482		NUT M 6 ZIN UNI 5588	1,00	11/2003		--
0034	VTRS01079		WASHER D. 6 GROWER	1,00			--
0035	VTDD00043		NUT M6 UNI7473	1,00			--
0036	LAFN01422		SPACER	1,00			--
0038	VTVT00154		SCREW TTQS M8x20 DIN603 znt	4,00			--
0039	VTRS63216		WASHER D. 8X17 S1,5 UNI 6592 ZN	4,00			--
0040	VTRS00020		WASHER GOWER UNI 1751 UNI 1751	4,00			--



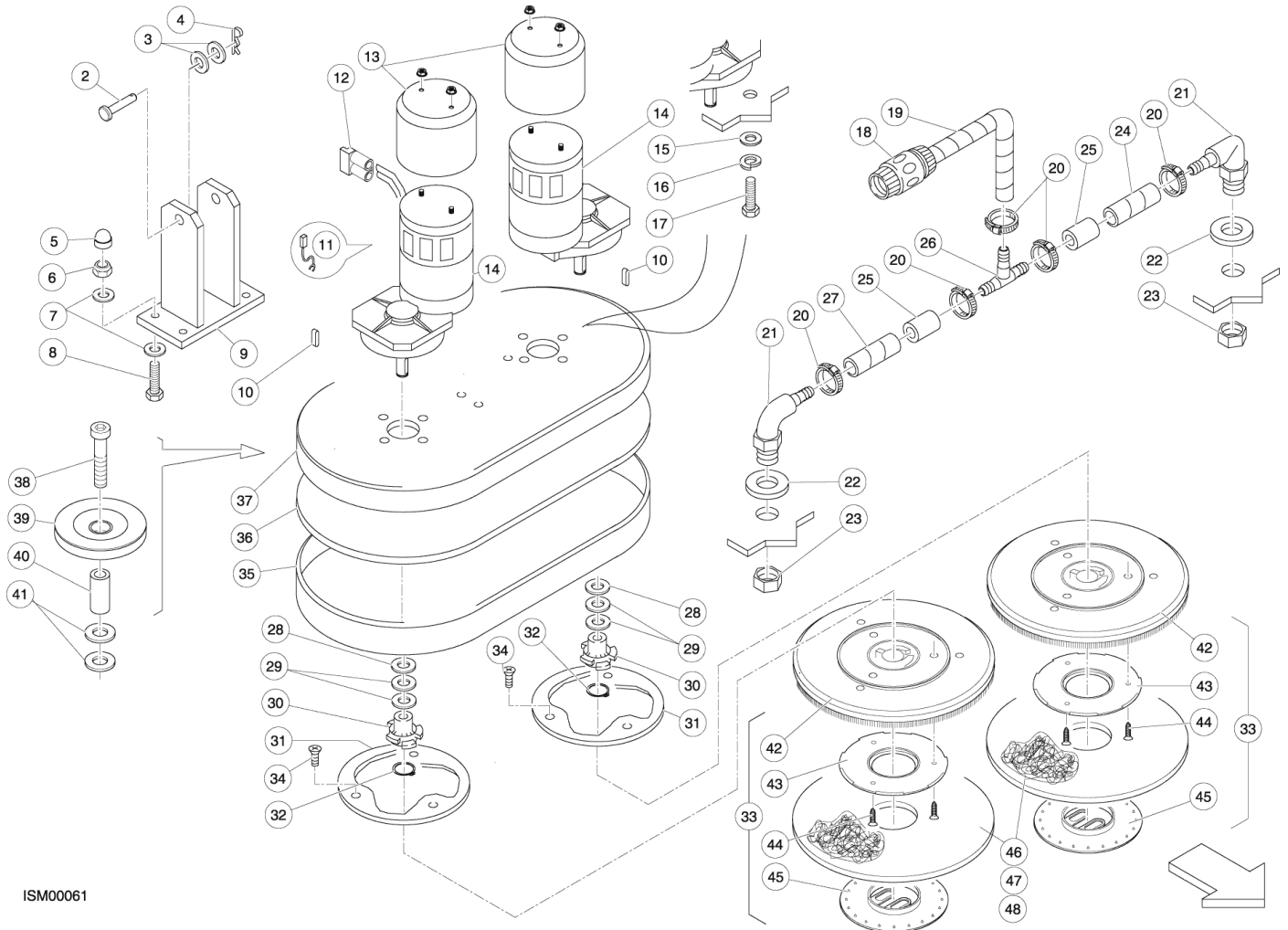
ISM00051

Ref. K	Part N.	Customer Part N.	Description	Qty	Validity:		Price
					From	To	
0041	VTDD00483		NUT M 8 ZIN UNI 5588	4,00			--



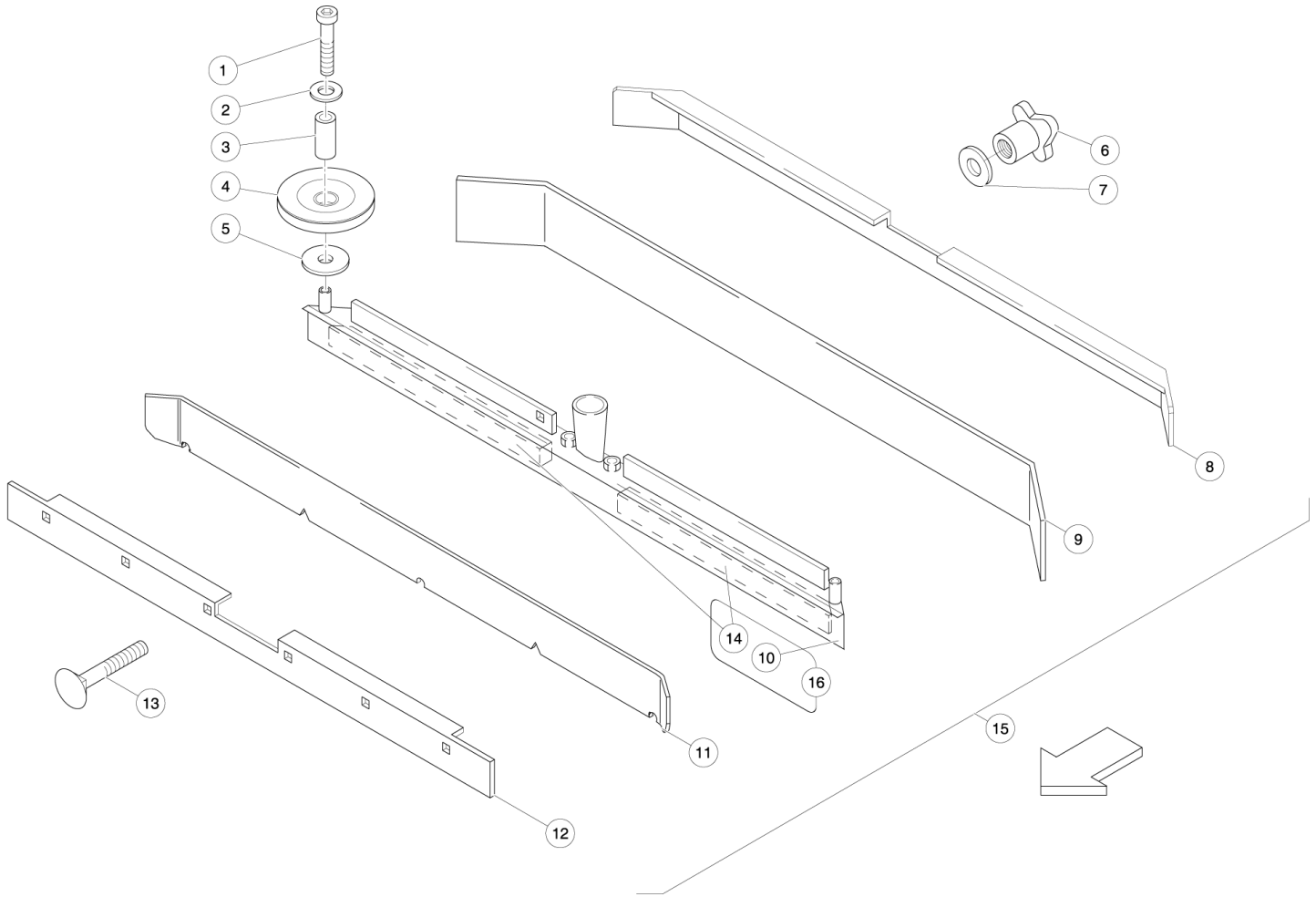
ISM00061

Ref.	K	Part N.	Customer Part N.	Description	Qty	Validity:		Price
						From	To	
0002		LAFN01254		PIN 12x30 mm	2,00			--
0003		VTRS15978		WASHER D.12X24 UNI 6592 INX	4,00			--
0004		VTVR00061		SPLIT PIN D.3,2 B	2,00			--
0005		MPVR01575		NUT COVER 130-08-17	4,00			--
0006		VTDD01695		NUT M 8 INX	4,00			--
0007		VTRS13947		WASHER D. 8 INX UNI 6592	8,00			--
0008		VTVT13937		SCREW TE M 8X 30 INX UNI 5739	4,00			--
0009		LAFN01531		SUPPORT BRUSH	1,00			--
0010		VTVR21944		KEY 6X6X30	2,00			--
0011		MEVR34441		CARBON 7X14X19 200/400W 24V	4,00			--
0012		MEVR00152		CONNECTOR SB 50A	2,00			--
0013		MPVR01009		COVER BRUSH MOTOR	2,00			--
0014		MOCC00047		MOTOR	2,00			--
0015		VTVT00416		WASHER 6x18 UNI6953 inox	8,00			--
0016		VTRS15144		WASHER D. 6 INX GRW UNI 1751	8,00			--
0017		VTVT13939		SCREW TE 6X20 UNI5739 INX	8,00			--
0018		RCVR00104		JOINT 1/2"	1,00			--
0019		TBBP00045		TUBE PVC 13X18	0,42			--
0020		MEVR00372		CLAMP 18,2 - 20,5	5,00			--
0021		RCVR00109		CURVE 90°	2,00			--
0022		VTRS63255		WASHER COPPER 1/2'	2,00			--
0023		MEVR01906		LOCKNUT 1/2"	2,00			--
0024		TBBP00045		TUBE PVC 13X18	0,11			--
0025		LAFN01247		BUSHING RED. FLOW	2,00			--
0026		RCVR00110		ADAPTER "T" 13mm	1,00			--
0027		TBBP00045		TUBE PVC 13X18	0,22			--
0028		VTRS00066		WASHER 18x25x0,5 DIN 988	2,00			--
0029		VTRS00061		WASHER 18x25x0,1 DIN 988	4,00			--
0030		MFVR00031		HUB D.19	2,00			--
0031		GUVR00031		RING	2,00			--
0032		VTAE00017		SEEGER E17x1 DIN471	2,00			--
0033		SPPV00143		DISC 85	2,00			--
0034		VTVT00421		SCREW TSPIC 2,9x22 UNI6955 inox	6,00			--
0035		PMLA00142		SPLASH GUARD 85	1,00			--
0036		LAFN01498		REINFORCEMENT BRUSH HEAD 85	1,00			--
0037		LAFN01518		HEAD BRUSH 85	1,00			--
0038		VTVT01124		SCREW TCEI 10X35 UNI5931	2,00			--
0039		RTRT00049		BUMPER HEAD - SQUEEGEE	2,00			--
0040		LAFN01316		BUSHING 15/2X5x17,2 mm M10	2,00			--



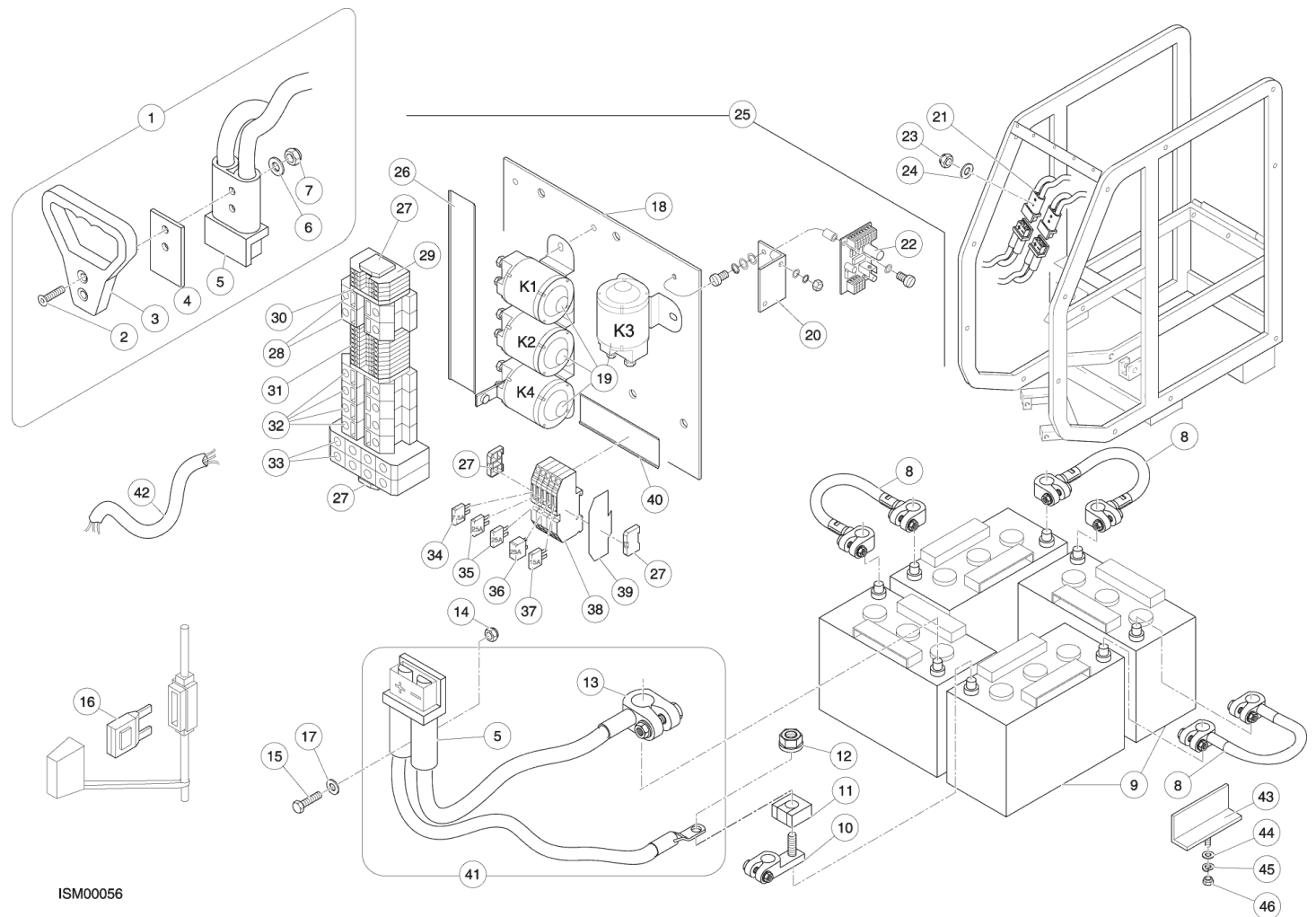
ISM00061

Ref. K	Part N.	Customer Part N.	Description	Qty	Validity:		Price
					From	To	
0041	VTRS15523		WASHER D.10 X21 INOX UNI 6592	4,00			--
0042	LAFN02629		FLAT BRUSH D.405/420	2,00			--
0043	LAFN02629		FLAT BRUSH D.405/420	2,00			--
0044	VTVT00296		SCREW TSPIC 3,9x16 UNI6955 ZNT	6,00			--
0045	GUVR00029		CIRCLIP	2,00			--
0046	SPPV00299		DISC YELLOW BRUSH 85	1,00			--
0047	SPPV00300		DISC GREEN BRUSH 85	1,00			--
0048	SPPV00301		DISC BLACK BRUSH 85	1,00			--



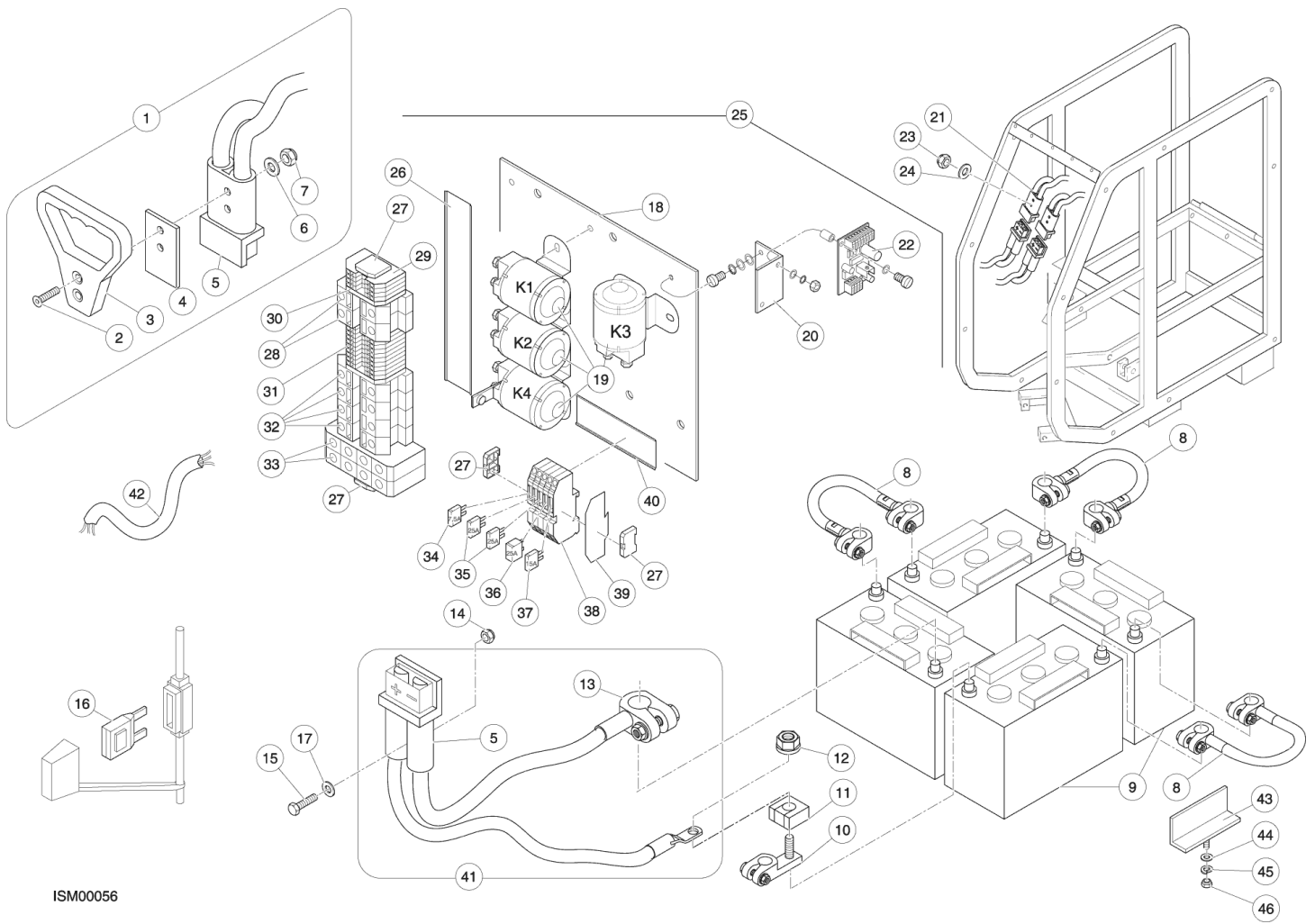
ISM00006

Ref. K	Part N.	Customer Part N.	Description	Qty	Validity:		Price
					From	To	
0001	VTVT00411		SCREW TCEI M10x35 UNI5931	2,00			--
0002	VTRS00505		WASHER D.10 TE UNI 6592	2,00			--
0003	LAFN01316		BUSHING 15/2X5x17,2 mm M10	2,00			--
0004	RTRT00049		BUMPER HEAD - SQUEEGEE	2,00			--
0005	VTRS00059		WASHER 35x10,5x3	2,00			--
0006	VTVT00199		HANDWHEEL VB 693/63B-M8	6,00			--
0007	VTRS13947		WASHER D. 8 INX UNI 6592	6,00			--
0008	LAFN01514		CORNER PIECE SQUEEGEE - 85NEW	1,00			--
0009	MPVR00957		RUBBER SQUEEGEE FRONT 85	1,00			--
0010	LAFN01512		BODY SQUEEGEE 85	1,00			--
0011	MPVR00954		RUBBER SQUEEGEE REAR 85	1,00			--
0012	LAFN01513		CORNER PIECE SQUEEGEE 85	1,00			--
0013	VTVT01305		SCREW M 8X 60 TTQST UNI 5731	6,00	09/2004		--
0014	MIVR00043		FILLER SQUEEGEE 85	2,00			--
0015	PMVR00477		SQUEEGEE COMPLETE 85	1,00			--

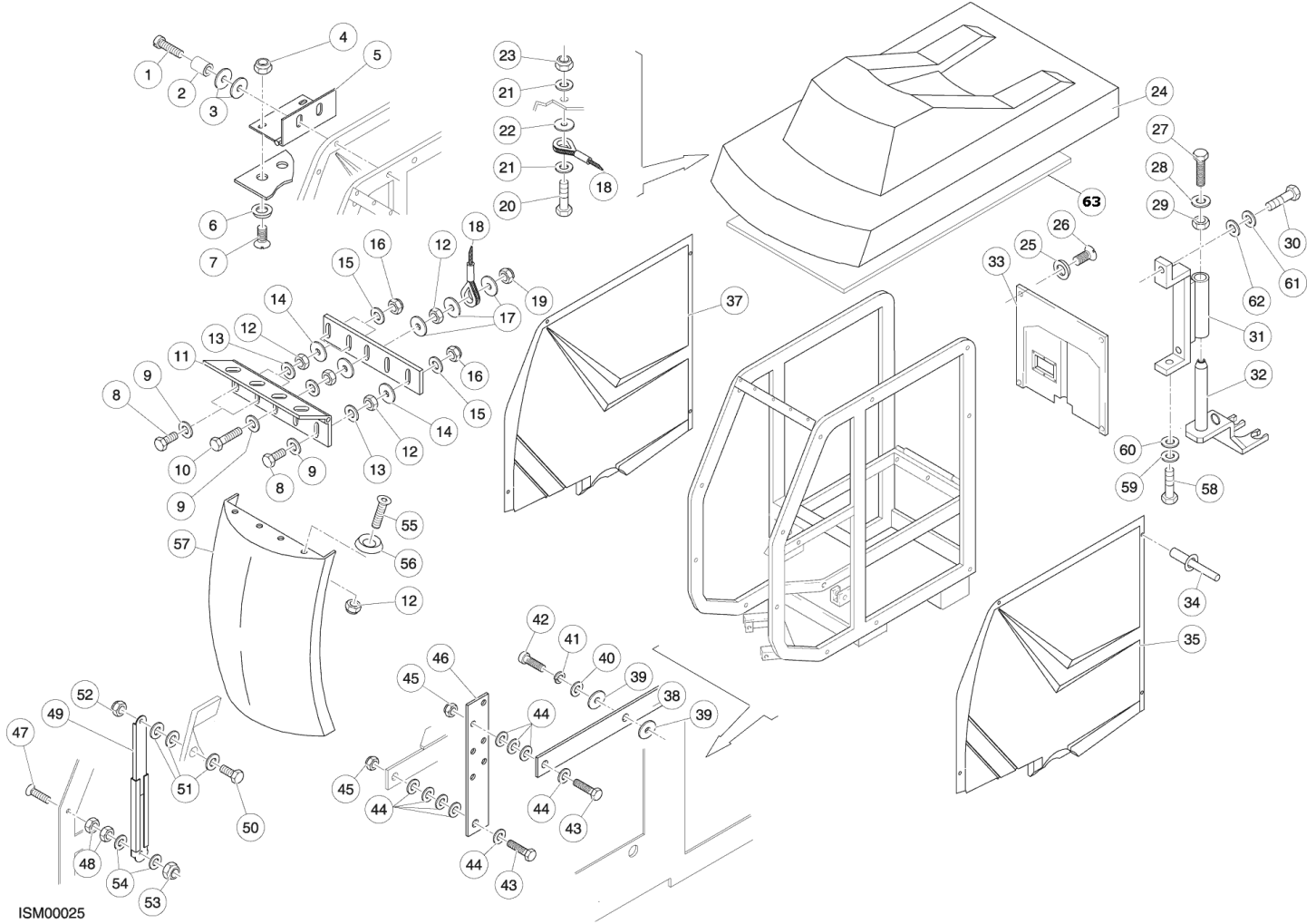


ISM00056

Ref.	K	Part N.	Customer Part N.	Description	Qty	Validity: From To	Price
0002		VTVT26818		SCREW M6x45 TSPEI UNI5933	2,00		--
0003		MPVR01072		HANDLE SB 175 A	1,00		--
0004		LAFN01322		PLATE	1,00		--
0005		MEVR00340		CONNECTOR SR 175A-24V	1,00		--
0006		VTRS07728		WASHER D. 6 INX	4,00		--
0007		VTDD01694		NUT M 6 INX	2,00		--
0008		MEVR00933		CABLE 2x6V	3,00		--
0009		BAAC00017		BATTERY 6 V 240 AH TITAN	4,00		--
0009		BAAC00026		BATTERY TRACT.6V-180Ah GIS-BLOCK	4,00		--
0010		MEVR00337		CLAMP POS.	1,00		--
0011		MEVR00330		FUSE CF8 100A	1,00		--
0012		VTDD00030		NUT INSUL. CF 8	1,00		--
0013		MEVR00160		CLAMP NEG.	1,00		--
0014		VTDD08171		NUT M 5 TEF	2,00		--
0015		VTVT00424		SCREW M 5X 45 TSPEI UNI 5933	2,00		--
0016		MEVR00564		FUSE 2A	1,00		--
0017		VTRS07728		WASHER D. 6 INX	2,00		--
0019		MECI00115		CONTACTOR 24V-100A	4,00		--
0020		LAFN01491		BRACKET	1,00		--
0021		CMCV00260		CABLE 51/70/89/97/119B/BF	1,00		--
0022		MECE00092		PCB ANTIFOAMING PUMP 24V	1,00		--
0023		VTDD04369		NUT M 4 TEF UNI 7473	4,00		--
0024		VTRS00103		WASHER 4,3x9 UNI6592 TE M4	4,00		--
0025		LAFN02964		PLATE ELECTRIC 97 / 119BF	1,00		--
0026		MEVR62076		BAR OMEGA EN 35	0,24		--
0027		LAFN01302		BLOCK	4,00		--
0028		MEVR00225		CLAMP CLAMP 6 MM	2,00		--
0029		MEVR00224		CLAMP 2,5mm	5,00		--
0030		MEVR00226		SEPARATOR CLAMP	1,00		--
0031		MEVR00224		CLAMP 2,5mm	18,00		--
0032		MEVR00349		CLAMP CLAMP 10 MM	8,00		--
0033		MEVR00355		CLAMP Art.284-621	2,00		--
0034		MEVR00585		FUSE 7,5 A	1,00		--
0035		MEVR00335		FUSE RESETTABLE 25A -ETA-	2,00		--
0036		MEVR00379		FUSE RESETTABLE 25A -ETA-	1,00		--
0037		MEVR00379		FUSE RESETTABLE 25A -ETA-	1,00		--
0038		MEVR00368		CLAMP	5,00		--
0039		MEVR00369		SEPARATOR CLAMP	1,00		--
0040		MEVR62076		BAR OMEGA EN 35	0,10		--

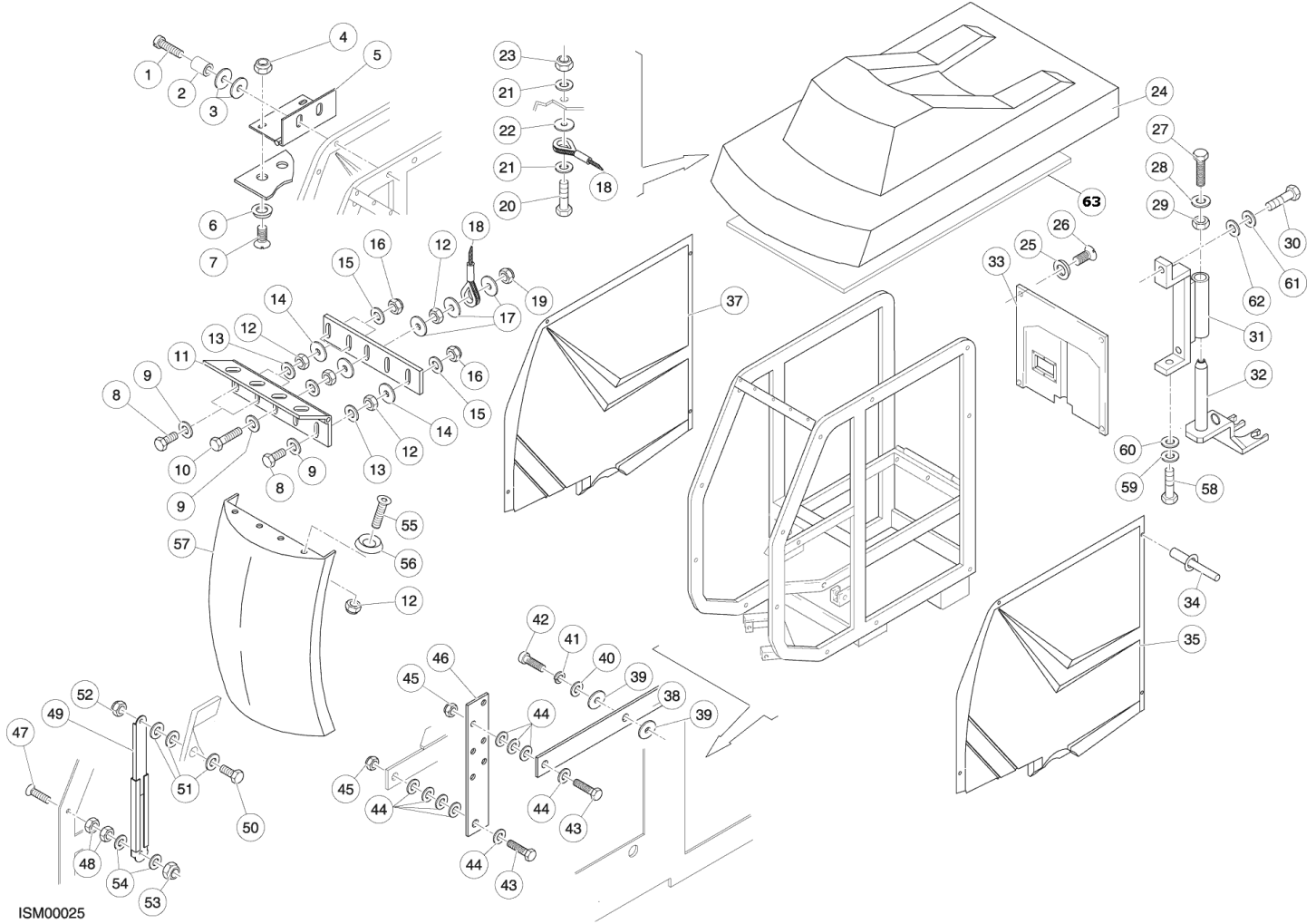


Ref.	K	Part N.	Customer Part N.	Description	Qty	Validity:		Price
						From	To	
0041		PMQE00168		CABLE	1,00			--
0042		CMCV00085		CABLE TRACTION 2x6	1,00			--
0043		LAFN02966		CORNER PIECE 70/97/11BF	1,00			--
0044		VTRS13946		WASHER D. 8 X24 INX UNI 6593	1,00			--
0045		VTRS00135		GROWER A8,4 UNI1751	1,00			--
0046		VTDD15521		NUT M 8 INX A2 UNI 5588	1,00			--



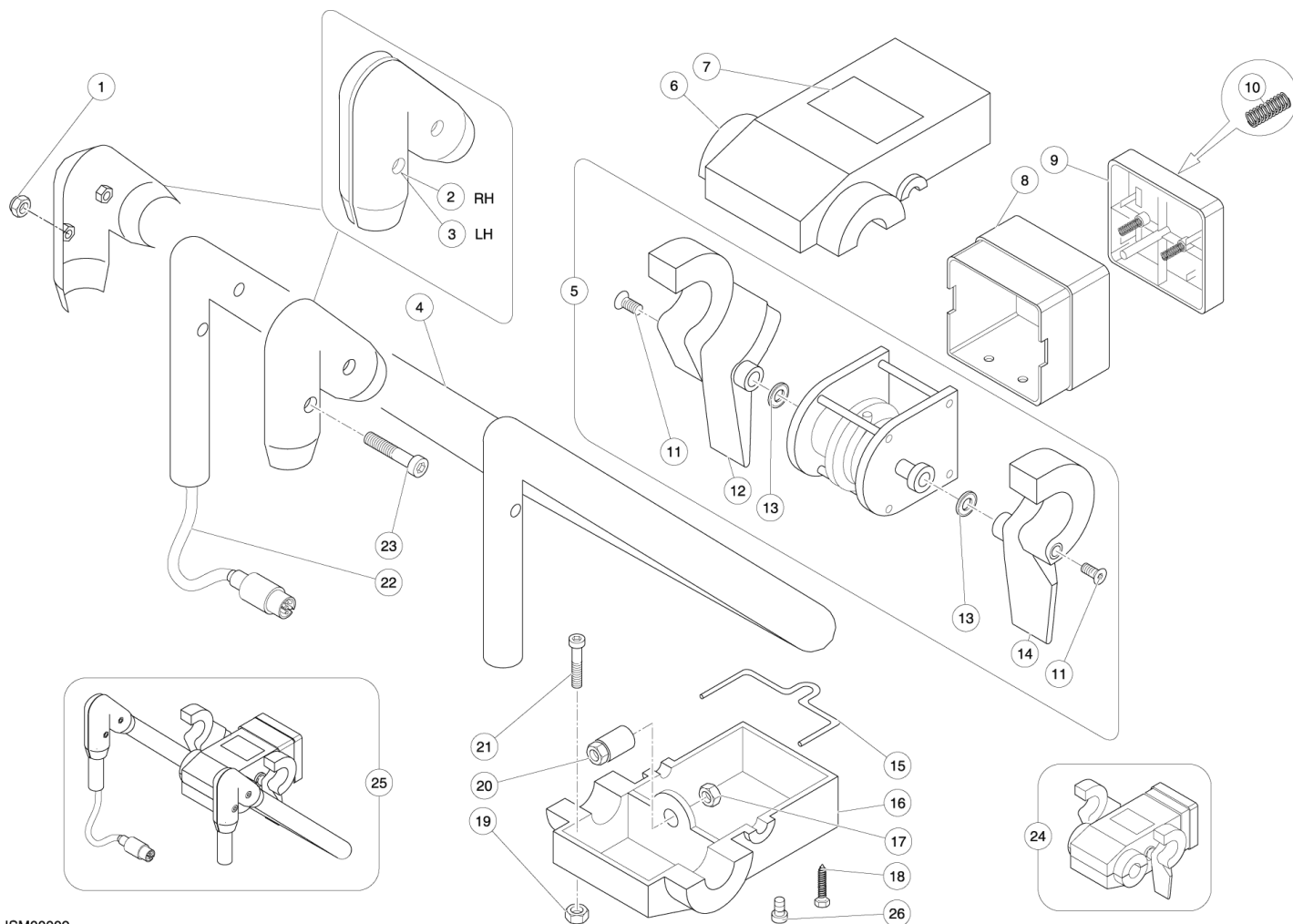
ISM00025

Ref.	K	Part N.	Customer Part N.	Description	Qty	Validity:		Price
						From	To	
0001		VTVT00415		SCREW TTCE M6x16 inox	4,00			--
0002		LAFN01250		SPACER TANK	4,00			--
0003		VTVT00416		WASHER 6x18 UNI6953 inox	8,00			--
0004		VTDD01693		NUT M 5 INX	4,00			--
0005		CEVR00018		HINGE 80x80x1,5 mm	2,00			--
0006		VTRS00060		WASHER D.5,3x14,5x3,2	4,00			--
0007		VTVT15937		SCREW TSPEI 5X20 UNI5933 INX	4,00			--
0008		VTVT14063		SCREW TE M 6x14 ZNT UNI 5739	4,00			--
0009		VTRS00122		WASHER 5,3x10 UNI6592 M5	4,00			--
0010		VTVT00399		SCREW TE M5x30 UNI 5739	1,00			--
0011		CEVR00047		HINGE L=445 70/97/119	1,00			--
0012		VTDD08171		NUT M 5 TEF	8,00			--
0013		VTRS00011		WASHER UNI 6592 6X12 ZB	4,00			--
0014		VTRS00110		WASHER 5,5x15	8,00			--
0015		VTRS00122		WASHER 5,3x10 UNI6592 M5	4,00			--
0016		VTDD08171		NUT M 5 TEF	4,00			--
0017		VTRS00110		WASHER 5,5x15	2,00			--
0018		CMCV00075		CABLE COVER	1,00			--
0019		VTDD08171		NUT M 5 TEF	1,00			--
0020		VTVT00400		SCREW TBEI M6x16 UNI7380	1,00			--
0021		VTRS07728		WASHER D. 6 INX	2,00			--
0022		VTVT00416		WASHER 6x18 UNI6953 inox	1,00			--
0023		VTDD13942		NUT M 6 UNI 5587 INX	1,00			--
0024		DBDB00930		UPPER COVER	1,00			--
0025		VTRS00060		WASHER D.5,3x14,5x3,2	4,00			--
0026		VTVT13941		SCREW M5x16 TSPEI UNI 5933	4,00			--
0027		VTVT00294		SCREW TE M10x100 UNI5739	1,00			--
0028		VTRS00105		WASHER 11x40 UNI6593	1,00			--
0029		VTDD15522		NUT M10 INOX UNI5588	1,00			--
0030		VTVT13937		SCREW TE M 8X 30 INX UNI 5739	1,00			--
0031		CUVR00055		BEARING 97/125	1,00			--
0032		LAFN01389		CORNER PIECE 40/62/70/97/119	1,00			--
0033		LAFN02968		PLATE 97BF	1,00	09/2004		--
0034		VTVR00063		RIVET 4x12	10,00	05/2004		--
0035		MPVR00999		BODY SIDE LEFT MODEL 70-89-97-119	1,00			--
0037		MPVR00998		BODY SIDE RIGHT MODEL 70-89-97-119	1,00			--
0038		LAFN01256		PEDALE ALZA SPAZZOLA 70-97-119	1,00			--
0039		VTRS00507		WASHER D.14 UNI 6798	2,00			--
0040		VTRS13947		WASHER D. 8 INX UNI 6592	1,00			--



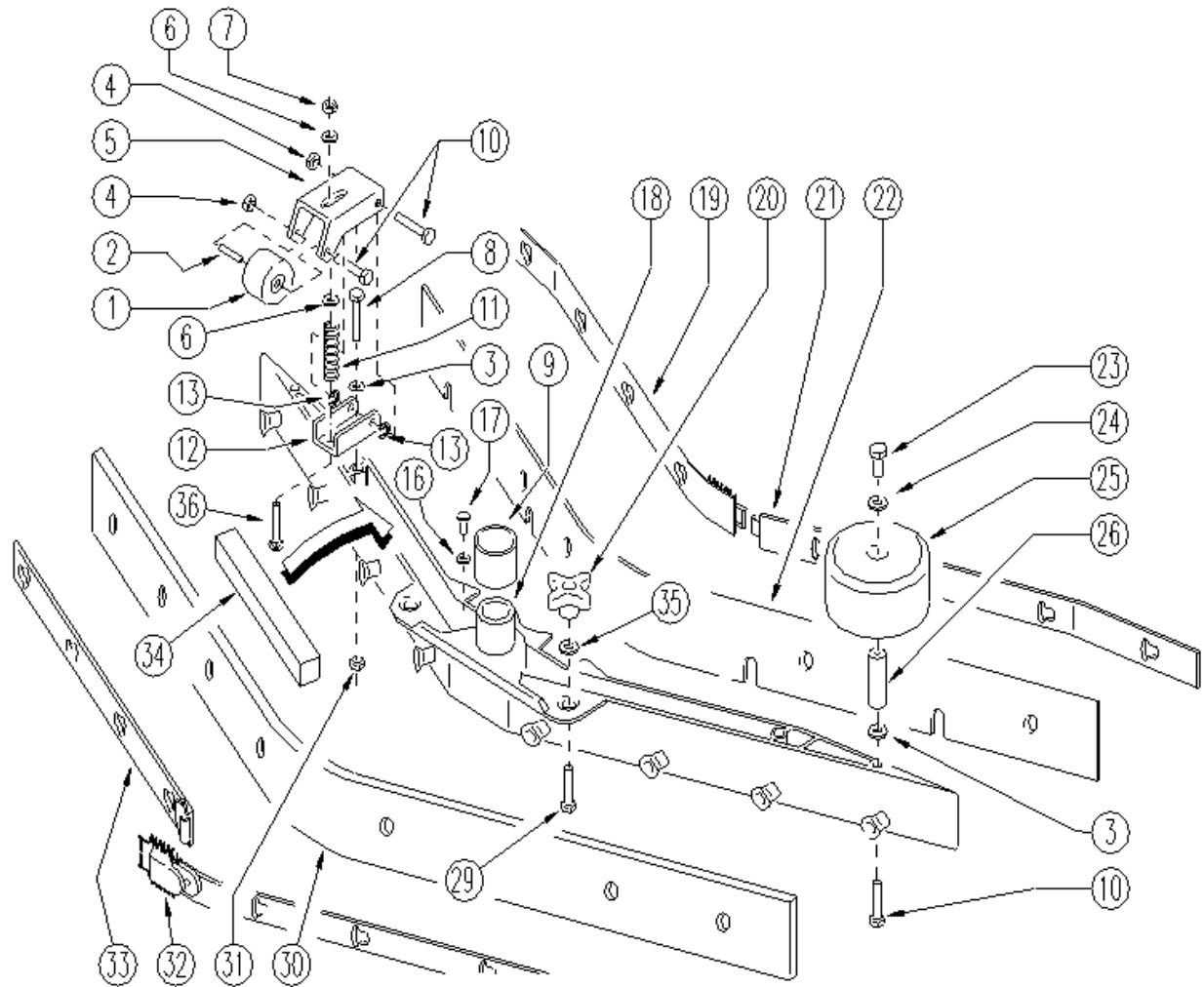
ISM00025

Ref.	K	Part N.	Customer Part N.	Description	Qty	Validity:		Price
						From	To	
0041		VTRS00135		GROWER A8,4 UNI1751	1,00			--
0042		VTVT00405		SCREW TCEI "R" M8x25 DIN7984	1,00			--
0043		VTVT01541		SCREW TE M 10x30 INOX UNI5739	2,00			--
0044		VTRS15523		WASHER D.10 X21 INOX UNI 6592	6,00			--
0045		VTDD15519		NUT M10 INOX	2,00			--
0046		LAFN87638		BRACKET	1,00			--
0047		VTVT00299		SCREW TSPEI M6x25 UNI5933	1,00			--
0048		VTDD00482		NUT M 6 ZIN UNI 5588	2,00	11/2003		--
0049		LAFN01252		ARM FRONT	1,00			--
0050		VTVT13939		SCREW TE 6X20 UNI5739 INX	1,00			--
0051		VTVT00416		WASHER 6x18 UNI6953 inox	1,00			--
0052		VTDD01694		NUT M 6 INX	1,00			--
0053		VTDD00043		NUT M6 UNI7473	1,00			--
0054		VTRS07728		WASHER D. 6 INX	2,00			--
0057		MPVR01002		COVER FRONT 70-97-119	1,00			--
0058		VTVT00422		SCREW TE M 12X 30 UNI 5739	1,00			--
0059		VTRS15919		WASHER D.12 GROVER UNI 1751 INX	1,00			--
0060		VTRS15978		WASHER D.12X24 UNI 6592 INX	1,00			--
0061		VTRS00135		GROWER A8,4 UNI1751	1,00			--
0062		VTRS13947		WASHER D. 8 INX UNI 6592	1,00			--

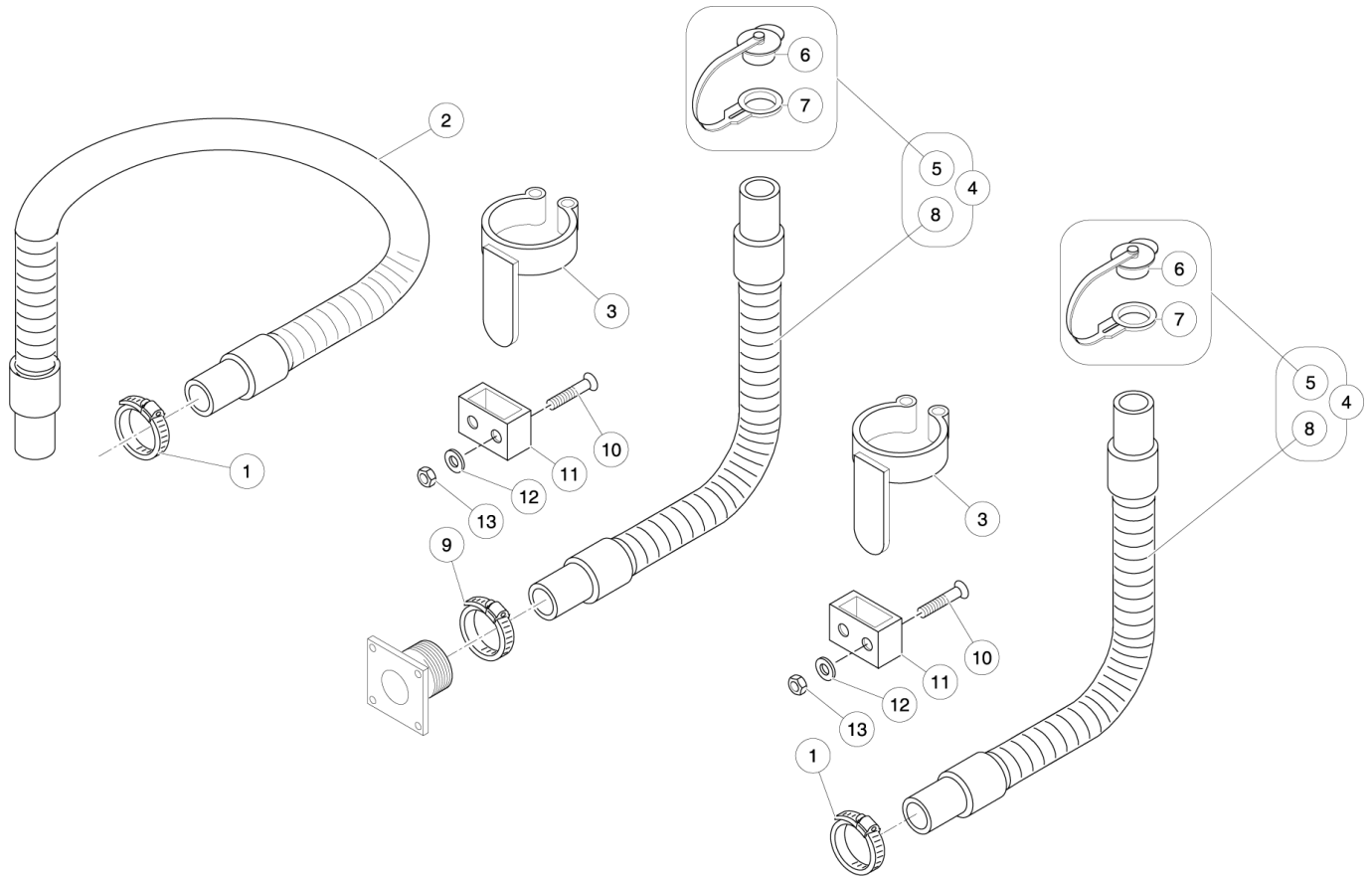


ISM00009

Ref. K	Part N.	Customer Part N.	Description	Qty	Validity:		Price
					From	To	
0001	VTDD00040		NUT M5 UNI7474	4,00			--
0002	MPVR01086		COVER CURVE, HANDLE, RIGHT	1,00			--
0003	MPVR01087		COVER CURVE, HANDLE, LEFT	1,00			--
0004	LAFN87643		HANDLEBAR 70-88-97-119 BF	1,00			--
0005	MECI00084		POTENTIOMETER TRACTION	1,00			--
0006	MPVR01079		UPPER SHELL	1,00			--
0007	ETET00167		ADHESIVE -GANSOW DIGI CONTROL-	1,00			--
0008	LAFN01338		PLATE HANDLE PROTECTION	1,00			--
0009	MPVR01080		BUTTON "DEAD MAN SWITCH"	1,00			--
0010	MLML00289		SPRING D.7 P.3 H.26	2,00			--
0012	MPVR04854		LEVER 14675	1,00			--
0013	GUVR01001		GASKET NAK VG 12x19x3	2,00			--
0014	MPVR04855		LEVER 14676	1,00			--
0015	GUVR01000		GASKET CONTROLLER	1,00			--
0016	MPVR01081		LOWER SHELL	1,00			--
0018	VTVT01318		SCREW TCB T-C-F-R 5X18 ZICH.NER	2,00			--
0019	VTDD00482		NUT M 6 ZIN UNI 5588	2,00			--
0020	MEVR00161		CABLE CLAMP PG7 H 1007	1,00			--
0021	VTVT33568		SCREW TCEI M 6X45 UNI 5931	2,00			--
0022	CMCV00063		CABLE 7x0,5 L=1050 mm	1,00			--
0023	VTVT00185		SCREW TCEI M5x35 DIN912	4,00			--
0024	MECE00250		SAFETY-DEVICE 40/62 BF	1,00			--
0025	PMQE00153		HANDLEBAR 70-88-97-119	1,00			--
0026	VTVT00339		SCREW TCEI M5x20	6,00			--

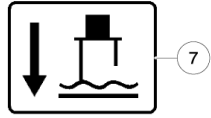
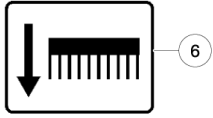
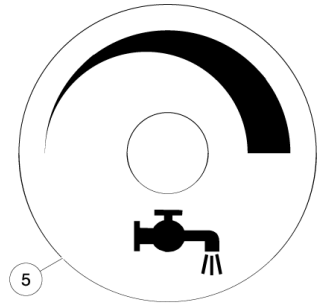
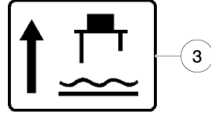
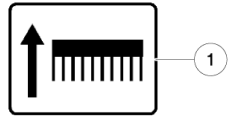


Ref. K	Part N.	Customer Part N.	Description	Qty	Validity: From To	Price
0001	RTRT00379		WHEEL	2,00		--
0002	LAFN04041		SPACER D6/15	2,00		--
0003	VTRS15144		WASHER D. 6 INX GRW UNI 1751	4,00		--
0004	VTDD01694		NUT M 6 INX	4,00		--
0005	LAFN05559		SUPPORT RUOTINO	2,00		--
0006	VTRS13947		WASHER D. 8 INX UNI 6592	4,00		--
0007	VTDD01695		NUT M 8 INX	2,00		--
0008	VTVT15142		SCREW TE M 6x45 INOX	2,00		--
0009	MPVR37003		SLEEVE PVC D.32	1,00		--
0010	VTVT15515		SCREW TE M 6X 50 INOX A2	6,00		--
0011	MLML49422		SPRING D.15X 45 X1	2,00		--
0012	LAFN51069		BRACKET SUPP.RUOTINO SQUEEGEE	2,00		--
0013	VTAE45707		CIRCLIP D. 6 UNI 7434 INOX	4,00		--
0016	VTRS00017		WASHER ACCIAIO INOX 4X12	2,00		--
0017	VTVT00881		SCREW TC+ M4x6 TRILOBATA INOX	2,00		--
0018	MFVR00142		BODY SQUEEGEE PRESSOFUSO "XL"	1,00		--
0019	LAFN51049		LAMINATION BLOCCA LAMA ANTER.SX XL	1,00		--
0020	MPVR04164		HANDWHEEL M8 FILETTO PASSANTE	2,00		--
0021	LAFN51048		LAMINATION BLOCCA LAMA ANTER.DX "XL"	1,00		--
0022	MPVR02795		BLADE ANTERIORE XL	1,00		--
0023	VTVT15916		SCREW TE M 8X 16 UNI 5739 A2	2,00		--
0024	VTRS01080		WASHER D. 8 GRW	2,00		--
0025	MPVR02894		ROLLER PARACOLPI	2,00		--
0026	LAFN51074		PIN PARACOLPI	2,00		--
0029	VTVT01050		SCREW TE M 8X30 INX UNI 5737	2,00		--
0030	MPVR02794		BLADE POSTERIORE (ROSSA) XL	1,00		--
0031	VTDD15520		NUT M 6 A2 UNI 5588 INX	2,00		--
0032	LAFN05692		BLADE HOLDER POSTERIORE DX (XL)	1,00		--
0033	LAFN05694		BLADE HOLDER POSTERIORE SX (XL)	1,00		--
0034	LAFN51039		WEIGHT IN QUADRO X SQUEEG.	2,00		--
0035	VTAE00074		CIRCLIP D8	2,00		--
0036	VTVT01304		SCREW M 8X 40 TTQST UNI 5731	2,00		--



ISM00011

Ref. K	Part N.	Customer Part N.	Description	Qty	Validity:		Price
					From	To	
0001	MEVR00370		CLAMP 44mm - 47,5mm	2,00			--
0002	TBFX00014		TUBE SUCTION L=850	1,00			--
0003	MPVR01097		HOOK DRAIN HOSE	2,00			--
0004	TBFX00013		TUBE DRAINAGE L=800	2,00			--
0005	RCVR00126		CAP DRAIN HOSE	2,00			--
0008	TBFX00053		TUBE DRAINAGE L=800	2,00			--
0009	MEVR00371		CLAMP HCL-U	1,00			--
0010	VTVT00877		SCREW TSPEI UNI5933	4,00			--
0011	RCVR00125		JOINT	2,00			--
0012	VTRS00515		WASHER D. 4 INX	4,00			--
0013	VTDD15925		NUT M 4 INX	4,00			--



97 BF 85

F.6

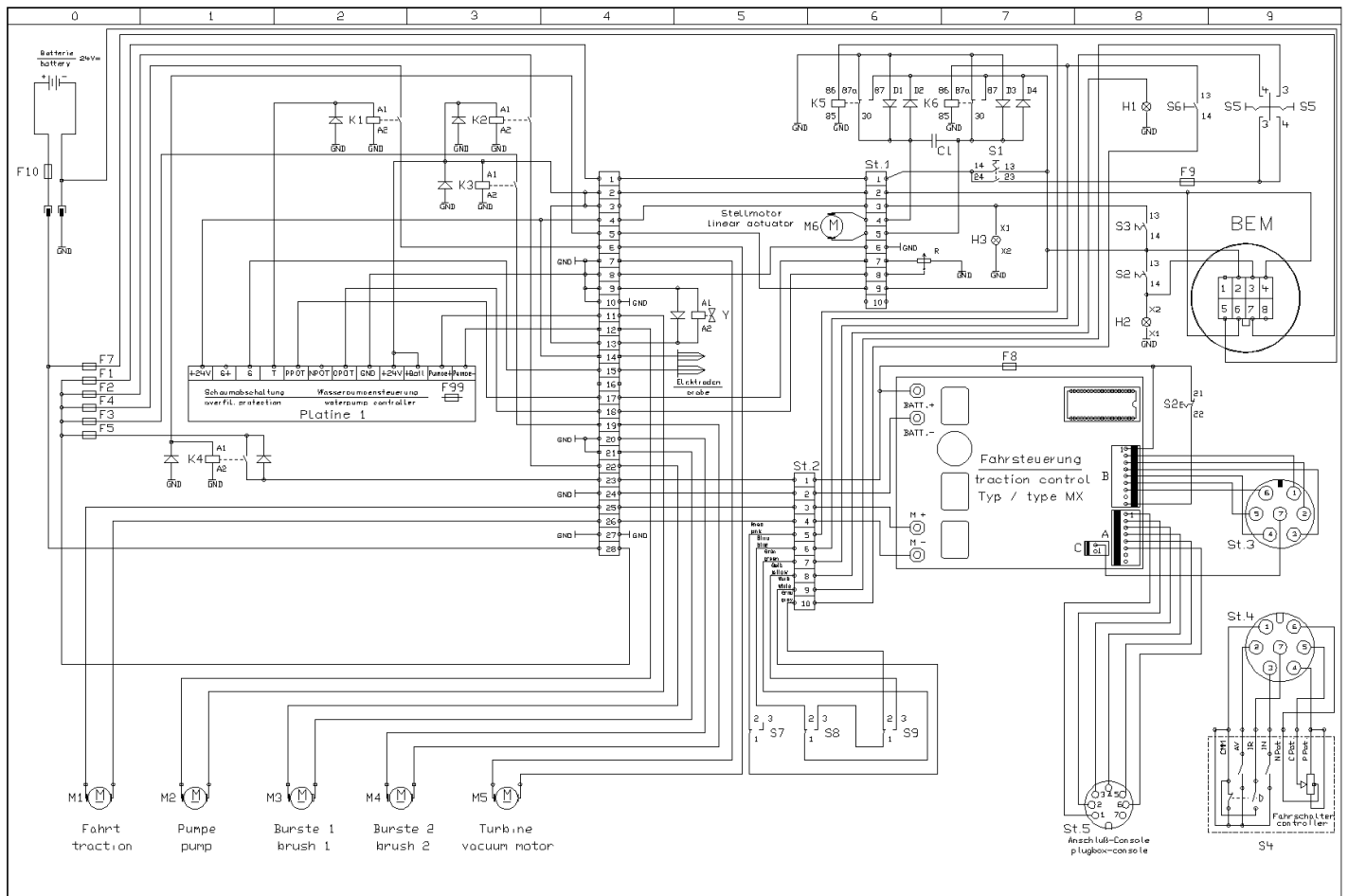
Ladestecker
Charging plug
Fiche de charge

GANSOW

GANSOW

ISM00058

Ref.	K	Part N.	Customer Part N.	Description	Qty	Validity:		Price
						From	To	
0001		ETET00211		ADHESIVE "BRUSH UP" 24X24	1,00			--
0002		ETET00210		ADHESIVE -BUSH ON-	1,00			--
0003		ETET00214		ADHESIVE -SQUEEGEE UP-	1,00			--
0004		ETET00216		ADHESIVE -VACUUM-	1,00			--
0005		ETET00258		ADHESIVE -WATER- D.55	1,00			--
0006		ETET00212		ADHESIVE "BRUSH DOWN" 24X24	1,00			--
0007		ETET00215		ADHESIVE -SQUEEGEE DOWN-	1,00			--
0008		ETET00202		ADHESIVE 97 BF 85	1,00			--
0009		ETET01400		ADHESIVE -F.6- 10X18	1,00			--
0010		ETET00152		ADHESIVE -CHARGING PLUG-	1,00			--
0011		ETET00183		ADHESIVE -GANSOW-	2,00			--
0012		ETET00182		ADHESIVE -GANSOW- 700x70	1,00			--



6	Fahrshalter	09.08.99	Kg.	Datum	L4-D4-99	Gansow GmbH + Co.KG	PLD001539	Verdrahtungsplan	Typ / model	ab Masch.-Nr. / from mach.no.	Datum/date
7	BAUSER BEM	28.07.00	Sw.	Bearb.	Kampmann	Maschinenbau		Wiring diagram	97 BF 85 S	bis Masch.-Nr. / up to mach.no.	07.2000
8	SPE BEM	25.10.06	Kg.	Datum							Blatt/page
Zust.	Änderung	Datum	None	Gepr.	Swietek/Becker	Urspr. 57BF5.005	Ens.f	Ens.d			1/1

Ref.	K	Part N.	Customer Part N.	Description	Qty	Validity:		Price
						From	To	
00K1		MECI00115		CONTACTOR 24V-100A	1,00			--
00K2		MECI00115		CONTACTOR 24V-100A	1,00			--
00K3		MECI00115		CONTACTOR 24V-100A	1,00			--
00K4		MECI00115		CONTACTOR 24V-100A	1,00			--
00M1		MOCC00048		TRACTION MOTOR MRP4DSV24 W400 G130	1,00			--
00M2		PPBP00008		PUMP 24V	1,00			--
00M3		MOCC00047		MOTOR	1,00			--
00M4		MOCC00047		MOTOR	1,00			--
00M5		MOMO00014		TURBINE 24V	1,00			--
0BEM		MESB00025		HOUR-COUNTER BAUSER 24V TYPO 855 24VDC	1,00			--