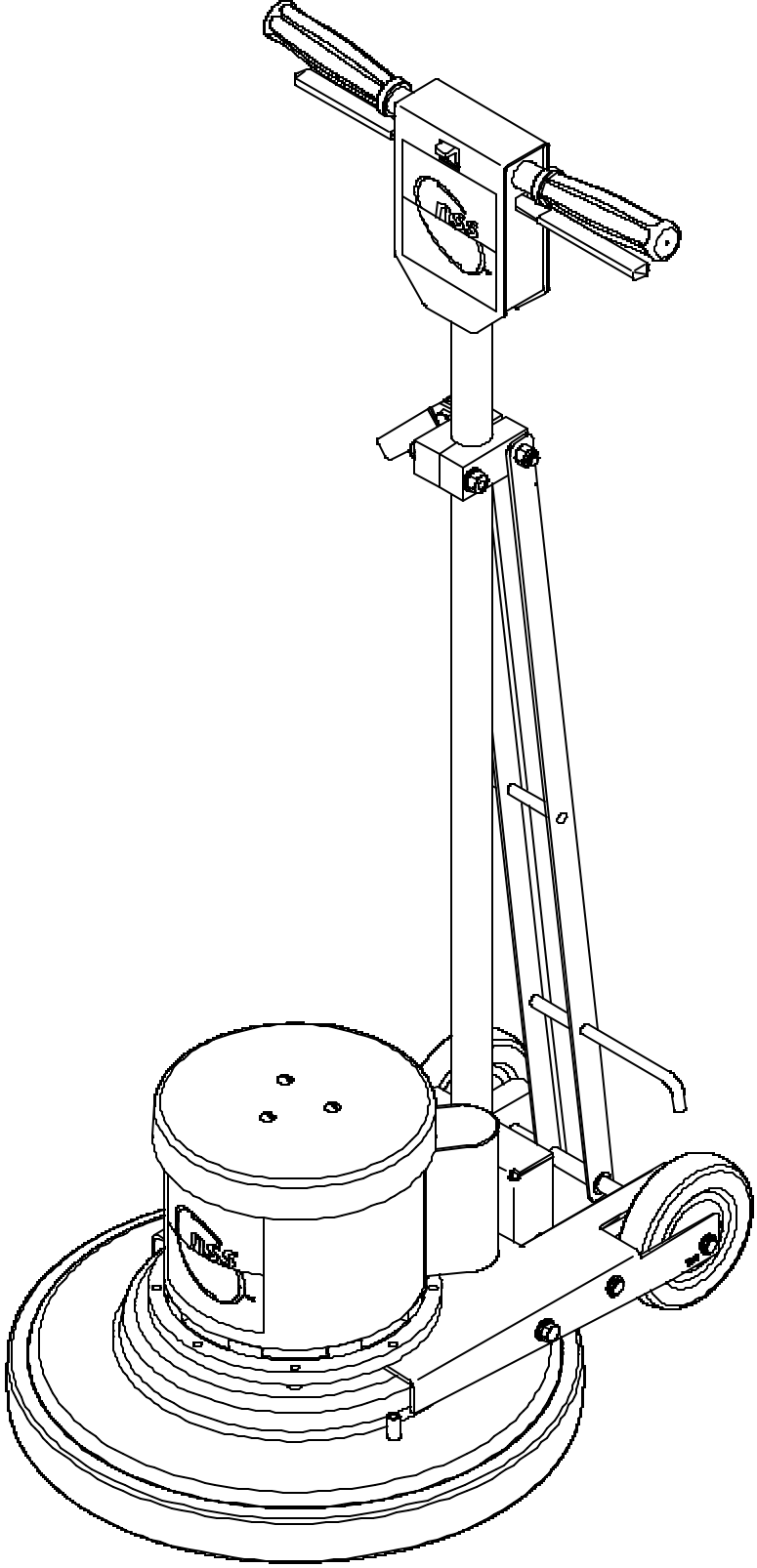


PARTS LIST

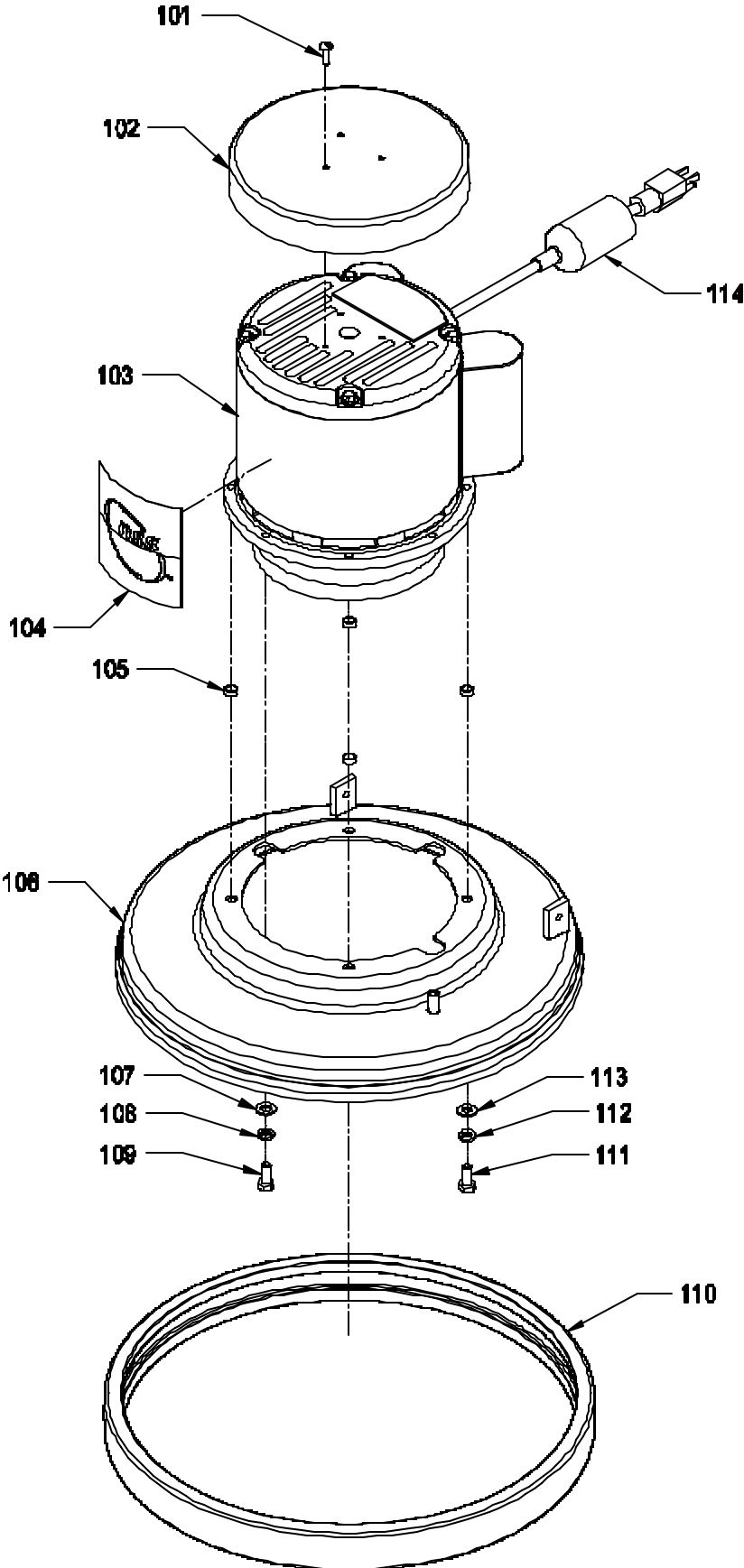
GALAXY FLOOR MACHINE



BASE ASSEMBLY

ITEM	PART NO.	DESCRIPTION	QTY
101	0393781	10-32 X 1/2 TRUSS HEAD SCREW	1
102	0393111	MOTOR COVER	1
103		<u>MOTOR AND GEAR BOX ASSEMBLIES</u>	
	0393101	1 HP 120 VOLT 60 HZ	1
	0393551	1 HP 240 VOLT 50 HZ	1
	0393651	1 HP 240 VOLT 60 HZ	1
	0393661	1.5 HP 120 VOLT 60 HZ	1
	0393671	1.5 HP 240 VOLT 50 HZ	1
	0393681	1.5 HP 240 VOLT 60 HZ	1
		<u>REPLACEMENT MOTOR ASSEMBLIES</u>	
	0394521	1 HP MOTOR 120 VOLT 60 HZ - INCLUDES CORD	1
	0394531	1 HP MOTOR 240 VOLT 50 HZ - INCLUDES CORD	1
	0394541	1 HP MOTOR 240 VOLT 60 HZ - INCLUDES CORD	1
	0394551	1.5 HP MOTOR 120 VOLT 60 HZ - INCLUDES CORD	1
	0394561	1.5 HP MOTOR 240 VOLT 50 HZ - INCLUDES CORD	1
	0394571	1.5 HP MOTOR 240 VOLT 60 HZ - INCLUDES CORD	1
		<u>OTHER RELATED MOTOR COMPONENTS</u>	
	5092041	UPPER BEARING - TOP OF MOTOR	1
	5391031	BEARING - BOTTOM OF MOTOR	1
	0394511	STATIONARY SWITCH - GALAXY	1
	0394581	MOTOR CORD	1
	0394591	CAPACITOR - RUN - 1 HP MOTORS	1
	0394601	CAPACITOR - START - 1 HP MOTORS	1
	0394631	CAPACITOR - RUN - 1.5 HP MOTORS	1
	0394641	CAPACITOR - START - 1.5 HP MOTORS	1
		<u>REPLACEMENT GEARBOX ASSEMBLIES</u>	
	0394611	2 IDLER GEARBOX - 10:1 RATIO - 1 HP MODELS	1
	0394621	3 IDLER GEARBOX - 10:1 RATIO - 1.5 HP MODELS	1
		<u>OTHER RELATED GEARBOX COMPONENTS</u>	
	5391051	ODUM COUPLING	1
	5391251	SHAFT WASHER	1
104	0393531	DECAL	1
105	0393301	SPACER - (.344 I.D. X .5 O.D. X .188 L.)	4
106	0393181	17" SKIRT	1
	0393191	20" SKIRT	1
107	0393791	11/32 I.D. X 11/16 O.D. X .051/.080 THICK FLAT WASHER	3
108	0393811	5/16-18 SPLIT LOCK WASHER	3
109	0393821	5/16-18 X 1 HEX BOLT	3
110	0393201	17" BUMPER	1
	0393211	20" BUMPER	1
111	0393821	5/16-18 X 1 HEX BOLT	4
112	0393811	5/16-18 SPLIT LOCK WASHER	4
113	0393791	11/32 I.D. X 11/16 O.D. X .051/.080 THICK FLAT WASHER	4
114	0393621	PLUG/CORD COVER - MOTOR	1

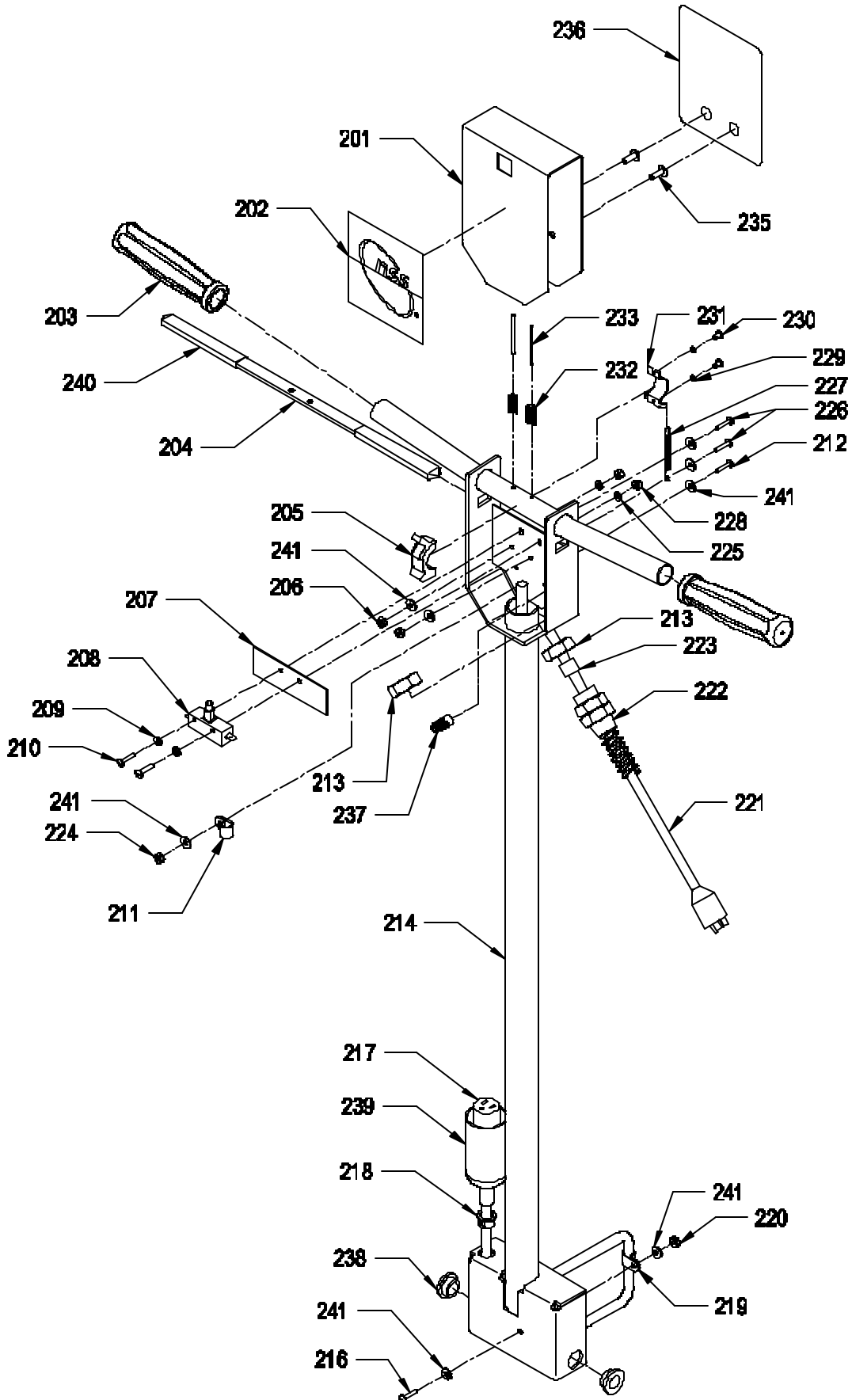
BASE ASSEMBLY



HANDLE ASSEMBLY 120 VOLT

<u>ITEM</u>	<u>PART NO.</u>	<u>DESCRIPTION</u>	<u>QTY</u>
201	0393351	SWITCH BOX COVER	1
202	0393531	DECAL	1
203	0393441	HANDLE GRIP	2
204	0393401	SWITCH LEVER	1
205	0393521	SAFETY LOCKOUT	1
206	0393901	M4 X .07 HEX NUT WITH NY-LOK INSERT	1
207	0393421	SWITCH INSULATOR	1
208	0393431	SWITCH	1
209	0393851	M3 FLAT WASHER	2
210	0393871	M3 X .05 X 25mm PAN HEAD PHILLIPS MACHINE SCREW	2
211	0393331	CORD CLAMP	1
212	0393911	M4 X .07 X 16mm PAN HEAD PHILLIPS MACHINE SCREW	1
213	0393171	STRAIN RELIEF NUT	2
214	0393371	HANDLE	1
216	0393911	M4 X .07 X 16mm PAN HEAD PHILLIPS MACHINE SCREW	1
217	0393451	HANDLE CORD	1
218	0393341	HEYCO CORD GROMMET	1
219	0393331	CORD CLAMP	1
220	0393901	M4 X .07 HEX NUT WITH NY-LOK INSERT	1
221	0393461	CORD 50 FEET 14-3 - 120 VOLT	1
222	0393491	CORD STRAIN RELIEF 120 VOLT	1
223	0393311	CORD CLAMP - CRIMP ON	1
224	0393901	M4 X .07 HEX NUT WITH NY-LOK INSERT	1
225	0393851	M3 FLAT WASHER	2
226	0393911	M4 X .07 X 16mm PAN HEAD PHILLIPS MACHINE SCREW	2
227	0393381	SPRING	1
228	0393861	M3 X .05 HEX NUT WITH NY-LOK INSERT	2
229	0393841	M3 EXTERNAL STAR LOCK WASHER	2
230	0393881	M3 X .05 X 8mm PAN HEAD PHILLIPS THREAD CUTTING SCREW	2
231	0393511	SAFETY LOCKOUT BRACKET	1
232	0393391	SWITCH LEVER SPRING	2
233	0393561	ROLL PIN	2
235	0393931	M5 X .08 X 20mm PAN HEAD PHILLIPS MACHINE SCREW	2
236	0393051	SAFETY DECAL	1
237	0393291	ORANGE WIRE NUT	1
238	0393641	BUSHING - LOWER HANDLE	2
239	0393631	PLUG/CORD COVER - HANDLE	1
240	0393411	GRIP - SWITCH LEVER	2
241	0393891	M4 FLAT WASHER	8

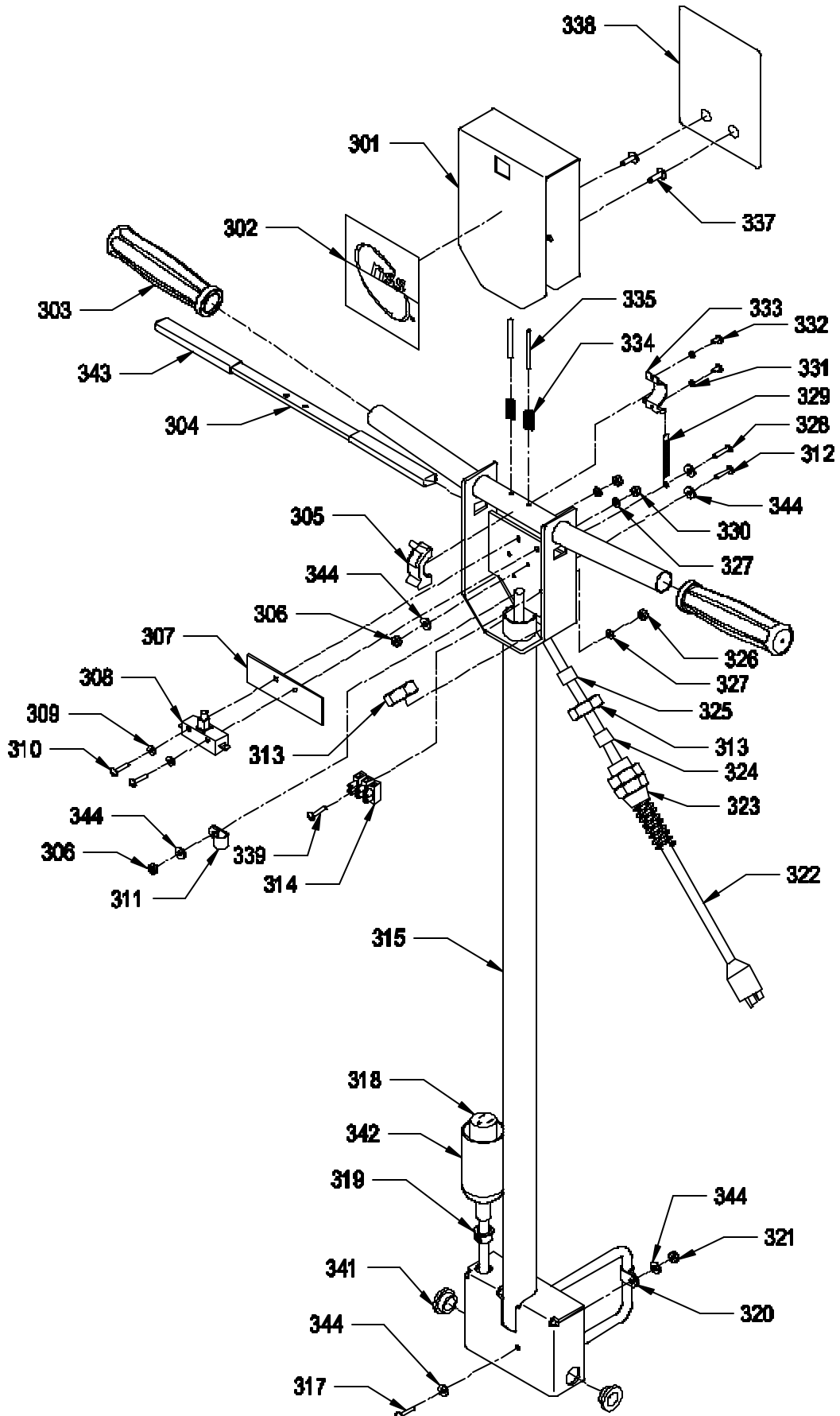
HANDLE ASSEMBLY 120 VOLT



HANDLE ASSEMBLY 240 VOLT

ITEM	PART NO.	DESCRIPTION	QTY
301	0393351	SWITCH BOX COVER	1
302	0393531	DECAL	1
303	0393441	HANDLE GRIP	2
304	0393401	SWITCH LEVER	1
305	0393521	SAFETY LOCKOUT	1
306	0393901	M4 X .07 HEX NUT WITH NY-LOK INSERT	2
307	0393421	SWITCH INSULATOR	1
308	0393431	SWITCH	1
309	0393851	M3 FLAT WASHER	2
310	0393871	M3 X .05 X 25mm PAN HEAD PHILLIPS MACHINE SCREW	2
311	0393331	CORD CLAMP	1
312	0393911	M4 X .07 X 16mm PAN HEAD PHILLIPS MACHINE SCREW	1
313	0393171	STRAIN RELIEF NUT	2
314	0393071	TERMINAL BLOCK	1
315	0393371	HANDLE	1
317	0393911	M4 X .07 X 16mm PAN HEAD PHILLIPS MACHINE SCREW	1
318	0393451	HANDLE CORD	1
319	0393341	HEYCO CORD GROMMET	1
320	0393331	CORD CLAMP	1
321	0393901	M4 X .07 HEX NUT WITH NY-LOK INSERT	1
322	0393471	SHUKO CORD - 50 FEET - 16-3	1
323	0393501	CORD STRAIN RELIEF 240 VOLT	1
324	8791071	VINYL TUBE	.2 FT.
325	0393311	CORD CLAMP - CRIMP ON	1
326	0393861	M3 X .05 HEX NUT WITH NY-LOK INSERT	1
327	0393851	M3 FLAT WASHER	3
328	0393911	M4 X .07 X 16mm PAN HEAD PHILLIPS MACHINE SCREW	1
329	0393381	SPRING	1
330	0393861	M3 X .05 HEX NUT WITH NY-LOK INSERT	2
331	0393841	M3 EXTERNAL STAR LOCK WASHER	2
332	0393881	M3 X .05 X 8mm PAN HEAD PHILLIPS THREAD CUTTING SCREW	2
333	0393511	SAFETY LOCKOUT BRACKET	1
334	0393391	SWITCH LEVER SPRING	2
335	0393561	ROLL PIN	2
337	0393931	M5 X .08 X 20mm PAN HEAD PHILLIPS MACHINE SCREW	2
338	0393051	SAFETY DECAL	1
339	0393871	M3 X .05 X 25mm PAN HEAD PHILLIPS MACHINE SCREW	1
341	0393641	BUSHING - LOWER HANDLE	2
342	0393631	PLUG/CORD COVER - HANDLE	1
343	0393411	GRIP - SWITCH LEVER	2
344	0393891	M4 FLAT WASHER	6

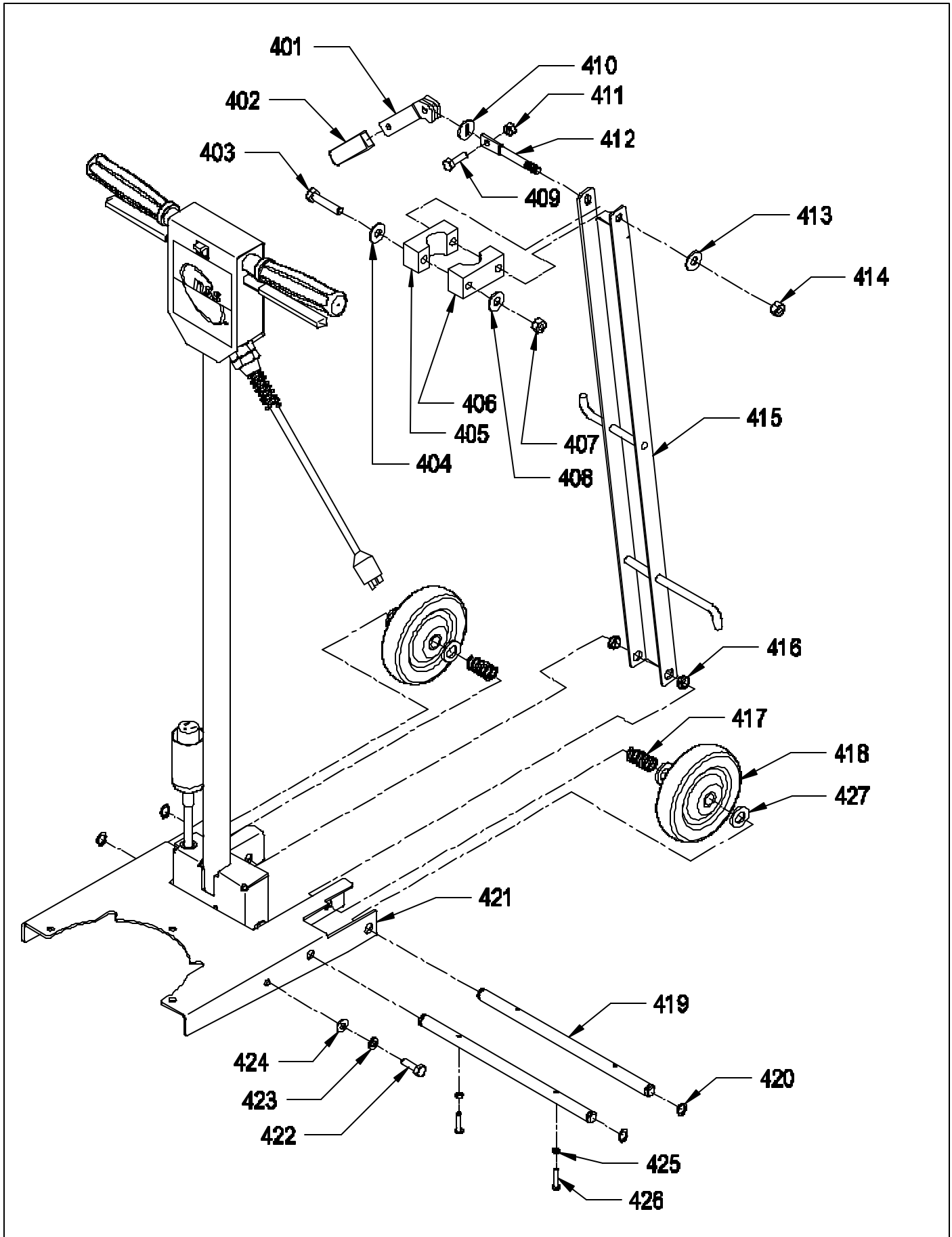
HANDLE ASSEMBLY 240 VOLT



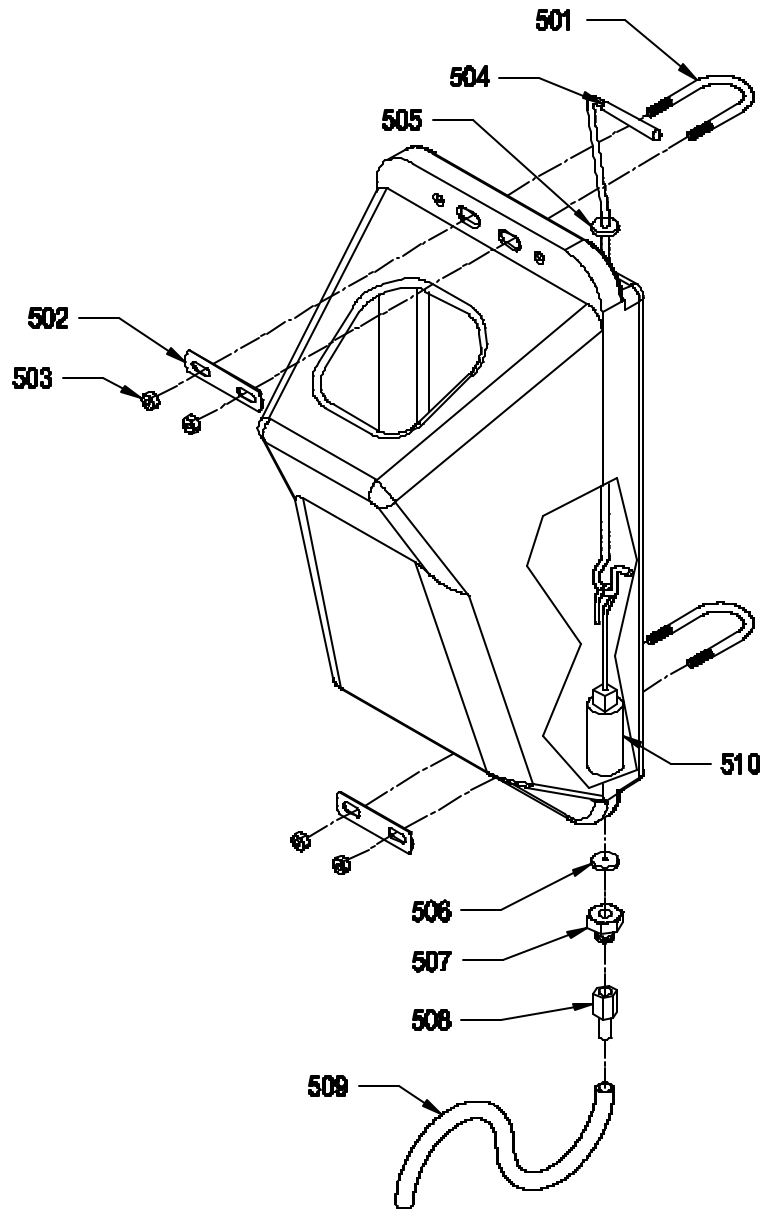
HANDLE ASSEMBLY

<u>ITEM</u>	<u>PART NO.</u>	<u>DESCRIPTION</u>	<u>QTY</u>
401	0393121	CLAMP LEVER	1
402	0393321	HANDLE GRIP	1
403	0393981	M8 X 1.25 X 65mm HEX BOLT	1
404	0393951	M8 FLAT WASHER	1
405	0393041	HANDLE CLAMP - LEFT	1
406	0393031	HANDLE CLAMP - RIGHT	1
407	0393961	M8 X 1.25 HEX NUT WITH NY-LOK INSERT	1
408	0393951	M8 FLAT WASHER	1
409	0393971	M8 X 1.25 X 25mm HEX BOLT	1
410	0393131	SLOTTED WASHER	1
411	0393961	M8 X 1.25 HEX NUT WITH NY-LOK INSERT	1
412	0393141	FLATTENED CLAMP BOLT	1
413	0393831	7/16 I.D. X 1. O.D. X .075/.080 THICK FLAT WASHER (3/8)	1
414	0393801	3/8-16 HEX NUT WITH NY-LOK INSERT	1
415	0393021	HANDLE BRACE	1
416	0393151	NYLINER	2
417	0393161	COMPRESSION SPRING	2
418	0393231	WHEEL 5" SOFT GRAY RUBBER	2
419	0393221	AXLE AND HANDLE PIVOT	2
420	0393251	RETAINING RING	4
421	0393011	BASE	1
422	0393821	5/16-18 X 1 HEX BOLT	2
423	0393811	5/16-18 SPLIT LOCK WASHER	2
424	0393791	11/32 I.D. X 11/16 O.D. X .051/.080 THICK FLAT WASHER	2
425	0393921	M5 X .08 HEX JAM NUT	2
426	0393941	M5 X .08 X 30mm PAN HEAD PHILLIPS MACHINE SCREW	2
427	0393991	M14 FLAT WASHER	4

HANDLE ASSEMBLY



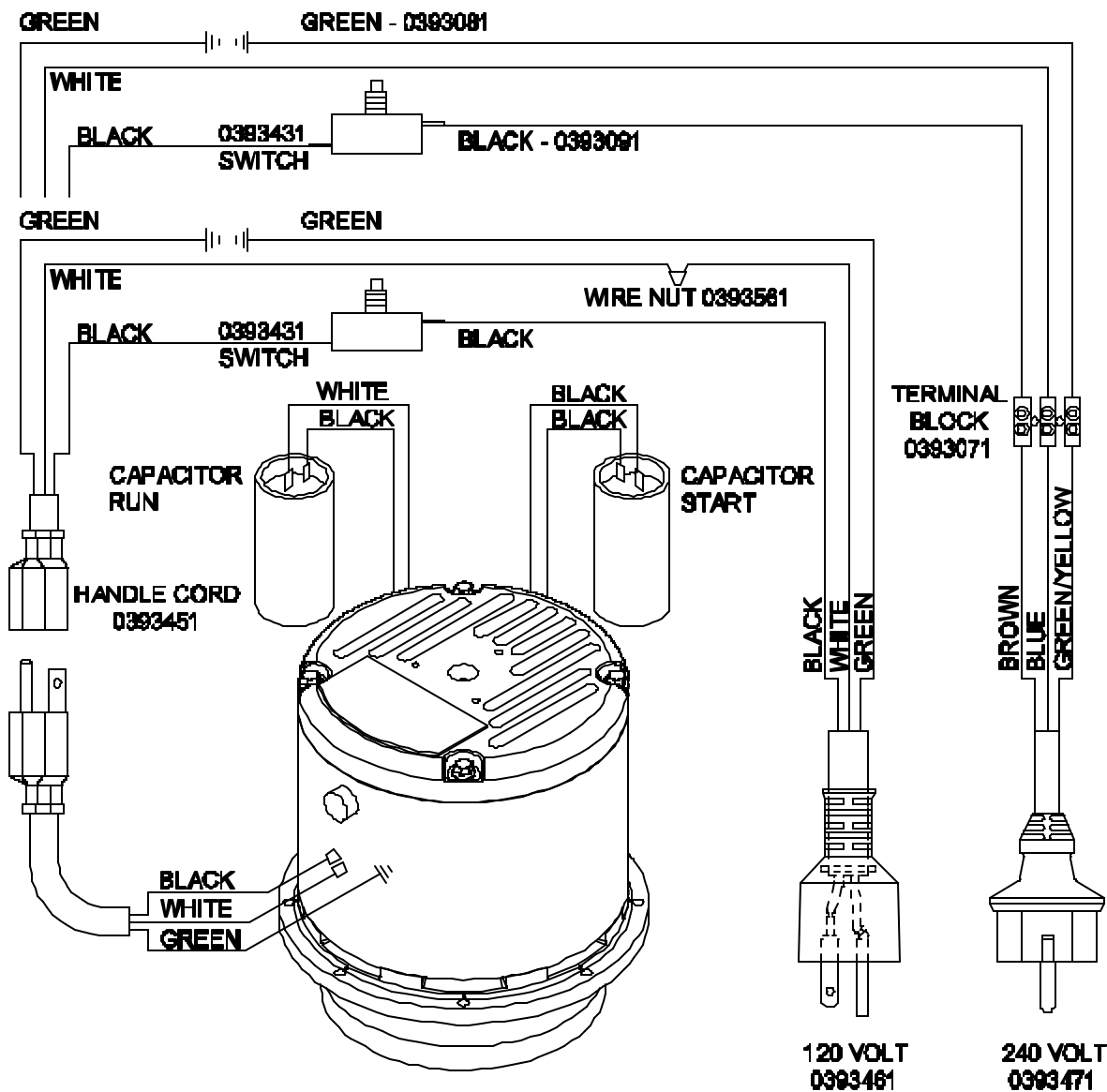
SOLUTION TANK



<u>ITEM</u>	<u>PART NO.</u>	<u>PART DESCRIPTION</u>	<u>QTY.</u>
	5094761	2 GALLON SOLUTION TANK COMPLETE	1
501	5094281	5-16-18 U-BOLT ASSEMBLY - INCLUDES:	2
502	5094281	WASHER BAR	2
503	9121420	5/16-18 HEX NUT	4
504	5094221	HANDLE ROD - INCLUDES:	1
	5094211	VINYL HANDLE GRIP	1
505	5294231	GROMMET	1
506	5094261	NEOPRENE WASHER	1
507	5094271	1/4 PIPE NUT	1
508	5094191	1/4 NPT X 5/16 HOSE BARB	1
509	8791020	SOLUTION TUBE	1.67
510	5094241	SOLUTION VALVE ASSEMBLY	1

WIRING DIAGRAM / COMPONENTS

<u>PART NO.</u>	<u>DESCRIPTION</u>	<u>QTY</u>
0393071	TERMINAL BLOCK - 240 VOLT ONLY	1
0393081	GREEN WIRE, DEADMAN /TERMINAL - 240 VOLT ONLY	1
0393091	BLACK WIRE, GROUND /TERMINAL - 240 VOLT ONLY	1
0393101	1 HP MOTOR AND GEAR BOX ASSEMBLY 120 VOLT 60 HZ	1
0393291	ORANGE WIRE NUT	1
0393431	SWITCH	1
0393451	HANDLE CORD	1
0393461	CORD 50 FEET 14-3 - 120 VOLT	1
0393471	SHUKO CORD - 50 FEET - 16-3 - 240 VOLT	1
0393551	1 HP MOTOR AND GEAR BOX ASSEMBLY 240 VOLT 50 HZ	1
0393571	#10 RING TERMINAL	1
0393651	1 HP MOTOR AND GEAR BOX ASSEMBLY 240 VOLT 60 HZ	1
0393661	1.5 HP MOTOR AND GEAR BOX ASSEMBLY 120 VOLT 60 HZ	1
0393671	1.5 HP MOTOR AND GEAR BOX ASSEMBLY 240 VOLT 50 HZ	1
0393681	1.5 HP MOTOR AND GEAR BOX ASSEMBLY 240 VOLT 60 HZ	1



ACCESSORIES



- 2890101 PLASTIC CLUTCH PLATE - 5" DIAMETER - 6 HOLES
- 2890981 PLASTIC CLUTCH PLATE - 4" DIAMETER - 3 HOLES
- 2890991 ALUMINUM CLUTCH PLATE - 5" DIAMETER - 6 HOLES
- 2893001 ALUMINUM CLUTCH PLATE - 4" DIAMETER - 3 HOLES



- 2897211 17" POLY BACK TUFTED PAD DRIVER
- 2897601 17" STRUCTURAL FOAM PAD DRIVER
- 2897201 17" POLY BACK NYLON FILL SCRUB BRUSH - LIGHT TO MEDIUM SCRUB
- 2897711 17" POLY BACK NYLON GRIT FILL SCRUB BRUSH - HEAVY CONCRETE SCRUB
- 2897821 17" POLY BACK NYLON - SOFT SCRUB BRUSH - CARPET ONLY
- 2897901 17" POLY BACK SCRUB GRIT BRUSH - MILD TO MEDIUM SCRUB



- 2892211 20" POLY BACK TUFTED PAD DRIVER
- 2892601 20" STRUCTURAL FOAM PAD DRIVER
- 2892201 20" POLY BACK NYLON FILL SCRUB BRUSH - LIGHT TO MEDIUM SCRUB
- 2892651 20" POLY BACK NYLON FILL SCRUB BRUSH - WITH GUIDE FOR CARPET SHAMPOOING
- 2892711 20" POLY BACK NYLON GRIT FILL SCRUB BRUSH - HEAVY CONCRETE SCRUB
- 2892031 20" PLASTIC BACK BASSINE SCRUB BRUSH - GENERAL SCRUB
- 2892701 20" POLY BRUSH - SHOWER FEED - STANDARD CARPET SCRUB
- 2892901 20" POLY BACK SCRUB GRIT BRUSH - MILD TO MEDIUM SCRUB



- NOTE: ALL PADS COME 5 (FIVE) PADS PER CASE
- 7991751 17" LITE BLUE POLISH/BURNISH PAD - SOFT FINISH
 - 7991741 17" UHS CLEAN BUFF PAD - REMOVE SCUFF MARKS NOT FINISH
 - 7991731 17" BLUE SCRUB PAD - TOP SCRUB AND LIGHT FINISH REMOVAL
 - 7991721 17" GREEN SCRUB PAD - HEAVY FINISH REMOVAL
 - 7991701 17" BLACK STRIP PAD - REMOVES FINISH COMPLETELY
 - 7992051 20" LITE BLUE POLISH/BURNISH PAD - SOFT FINISH
 - 7992041 20" UHS CLEAN BUFF PAD - REMOVE SCUFF MARKS NOT FINISH
 - 7992031 20" BLUE SCRUB PAD - TOP SCRUB AND LIGHT FINISH REMOVAL
 - 7992021 20" GREEN SCRUB PAD - HEAVY FINISH REMOVAL
 - 7992001 20" BLACK STRIP PAD - REMOVES FINISH COMPLETELY
 - 7992011 20" BROWN STRIP PAD - REMOVES FINISH COMPLETELY



- 2890201 SPRAY BUFF APPLICATOR - PUMP UP TYPE



- 5094761 DELUXE SOLUTION TANK - 2 GALLON WITH BRASS VALVES



NSS ® Enterprises, Inc.

3115 Frenchmens Road, Toledo, Ohio 43607
 PHONE (419) 531-3761 FAX (419) 531-3761
NSS ® Enterprises, Inc. European Distribution Centre
 Unit II, Pinfold Trading Estate * 55 Nottingham Road
 STAPLEFORD, NOTTINGHAM NG9 8AD ENGLAND U.K.
 PHONE: (44) 0115 939 1568 * FAX: (44) 0115 949 0615