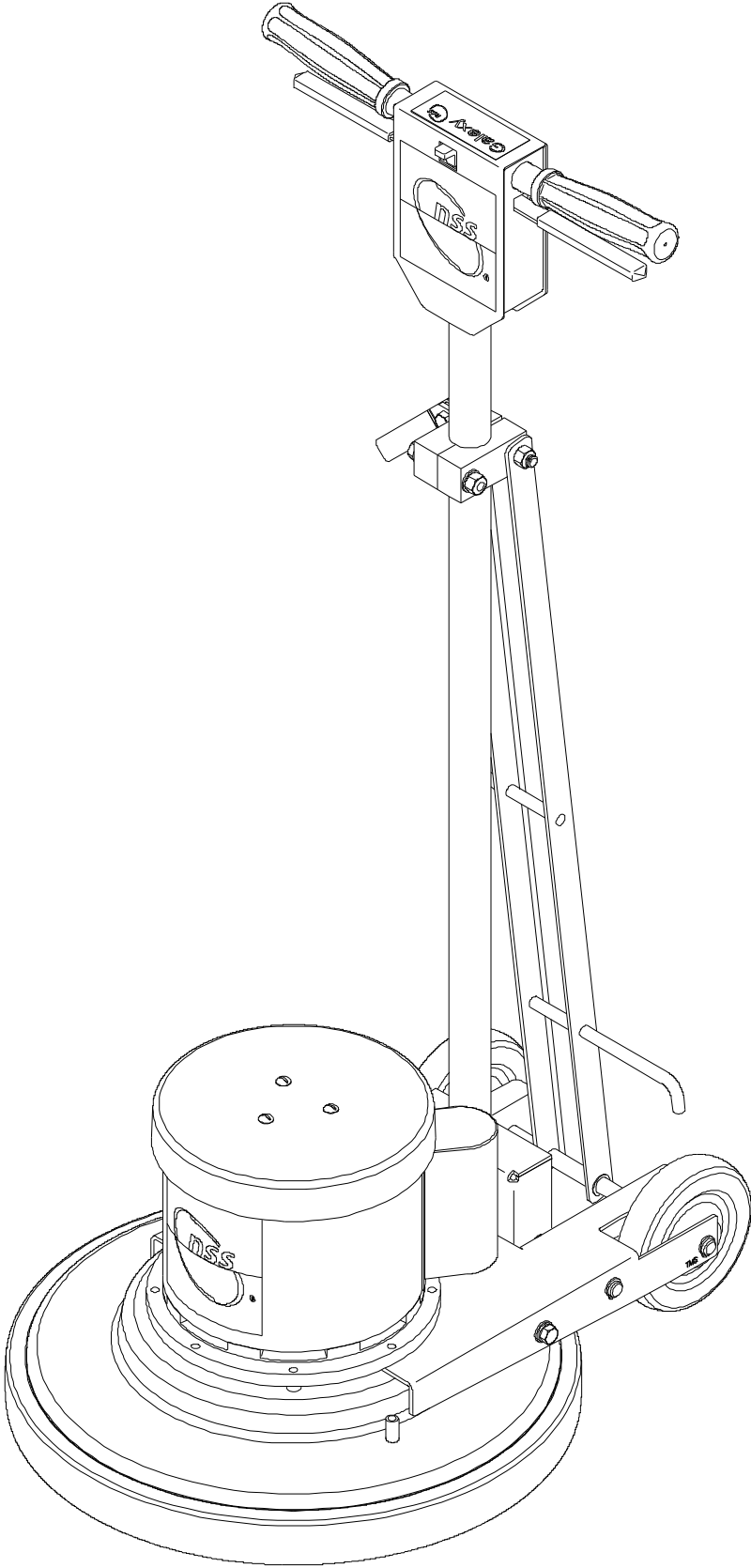


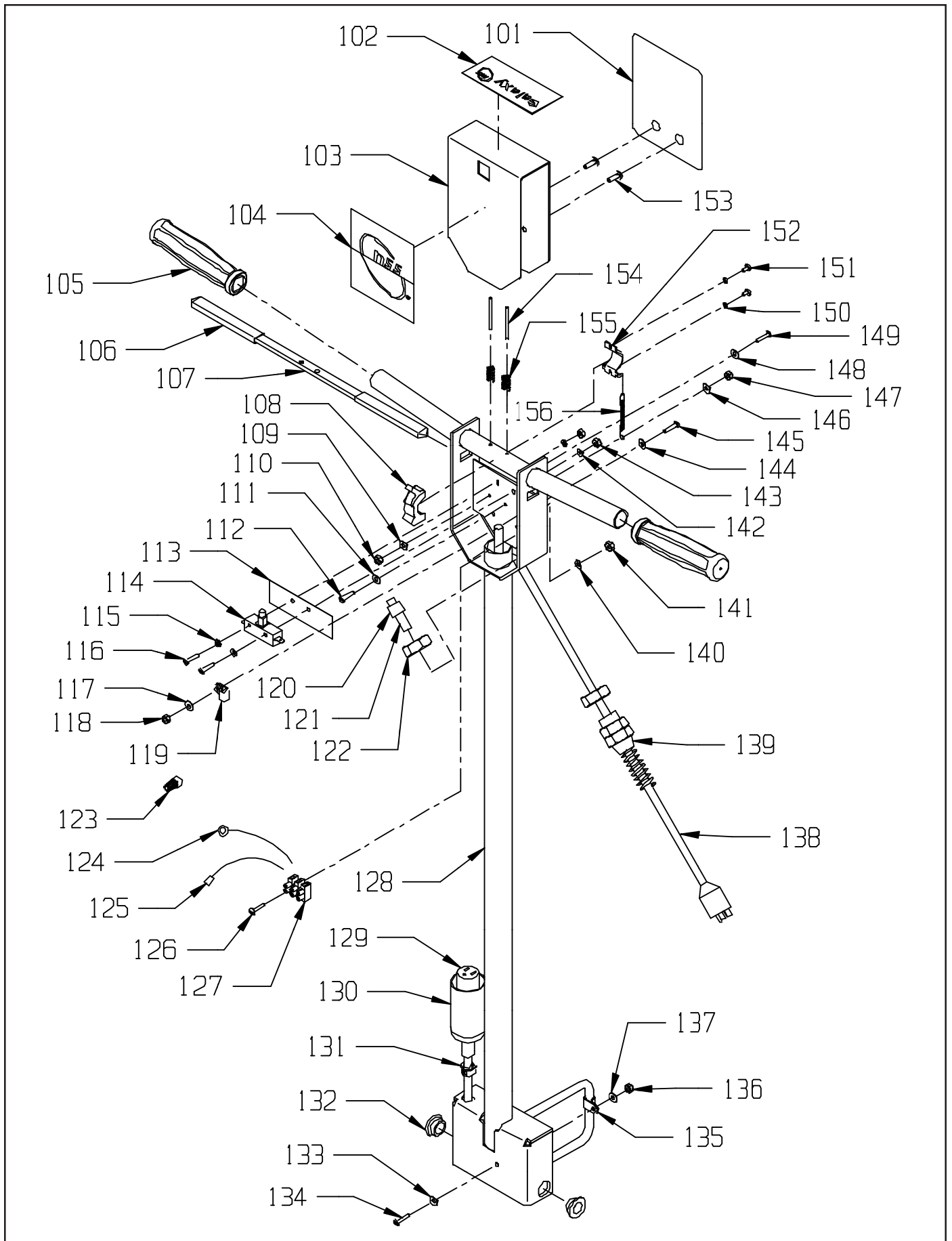
PARTS LIST

GALAXY FLOOR MACHINE



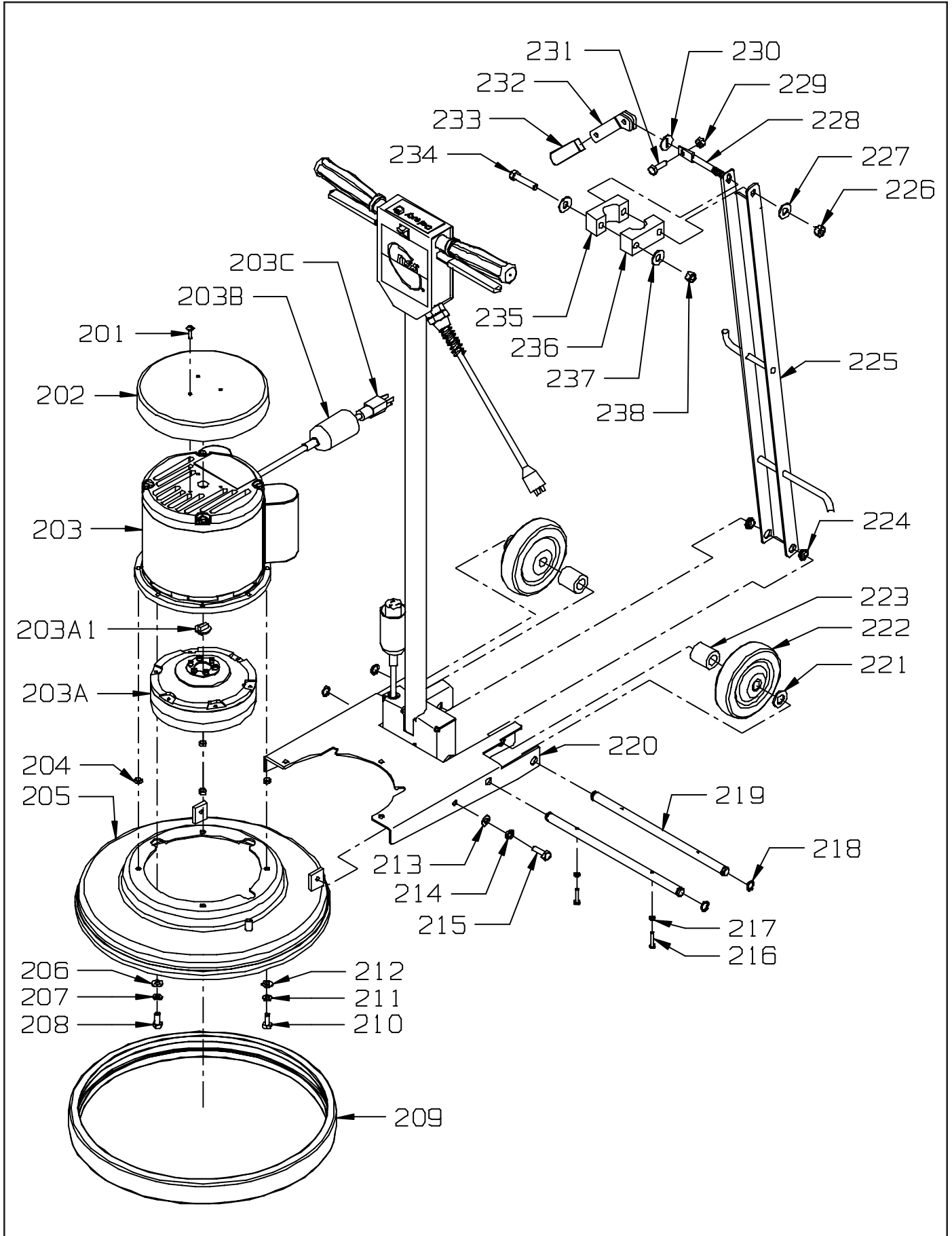
<u>ITEM</u>	<u>PART NO.</u>	<u>DESCRIPTION</u>	<u>QTY</u>
101	0393051	SAFETY DECAL	1
102	0393691	IDENTIFIER DECAL - GALAXY	1
103	0393351	SWITCH BOX COVER	1
104	0393531	DECAL	1
105	0393441	HANDLE GRIP	2
106	0393411	GRIP - SWITCH LEVER	2
107	0393401	SWITCH LEVER	1
108	0393521	SAFETY LOCKOUT	1
109	0393891	M4 FLAT WASHER	1
110	0393901	M4 X .07 HEX NUT WITH NY-LOK INSERT	2
111	0393891	M4 FLAT WASHER	1
112	0393911	M4 X .07 X 16mm PAN HEAD PHILLIPS MACHINE SCREW	1
113	0393421	SWITCH INSULATOR	1
114	0393431	SWITCH	1
115	0393851	M3 FLAT WASHER	2
116	0393871	M3 X .05 X 25mm PAN HEAD PHILLIPS MACHINE SCREW	2
117	0393891	M4 FLAT WASHER	1
118	0393901	M4 X .07 HEX NUT WITH NY-LOK INSERT	1
119	0393331	CORD CLAMP	1
120	0393311	CORD CLAMP - CRIMP ON	1
121	8791071	VINYL TUBE	.2 FT.
122	5390261	STRAIN RELIEF NUT	1
123	0393291	ORANGE WIRE NUT	1
124	0393081	WIRE - GROUND/TERMINAL - 240 VOLT	1
125	0393091	WIRE - DEAD/TERMINAL - 240 VOLT	1
126	0393871	M3 X .05 X 25mm PAN HEAD PHILLIPS MACHINE SCREW - 240 VOLT	1
127	0393071	TERMINAL BLOCK - 240 VOLT	1
128	0393371	HANDLE	1
129	0393451	HANDLE CORD	1
130	0393631	PLUG/CORD COVER - HANDLE	1
131	0393341	HEYCO CORD GROMMET	1
132	0393641	BUSHING - LOWER HANDLE	2
133	0393891	M4 FLAT WASHER	1
134	0393911	M4 X .07 X 16mm PAN HEAD PHILLIPS MACHINE SCREW	1
135	0393331	CORD CLAMP	1
136	0393901	M4 X .07 HEX NUT WITH NY-LOK INSERT	1
137	0393891	M4 FLAT WASHER	1
138	0393461	CORD 50 FEET 14-3 - 120 VOLT	1
	0393471	SHUKO CORD - 50 FEET - 16-3	1
139	0393491	CORD STRAIN RELIEF 120 VOLT	1
	0393501	CORD STRAIN RELIEF 240 VOLT	1
140	0393851	M3 FLAT WASHER - 240 VOLT	1
141	0393861	M3 X .05 HEX NUT WITH NY-LOK INSERT - 240 VOLT	1
142	0393851	M3 FLAT WASHER	2
143	0393861	M3 X .05 HEX NUT WITH NY-LOK INSERT	2
144	0393891	M4 FLAT WASHER	1
145	0393911	M4 X .07 X 16mm PAN HEAD PHILLIPS MACHINE SCREW	1
146	0393891	M4 FLAT WASHER	1
147	0393901	M4 X .07 HEX NUT WITH NY-LOK INSERT	1
148	0393891	M4 FLAT WASHER	1
149	0393911	M4 X .07 X 16mm PAN HEAD PHILLIPS MACHINE SCREW	2
150	0393841	M3 EXTERNAL STAR LOCK WASHER	2
151	0393881	M3 X .05 X 8mm PAN HEAD PHILLIPS THREAD CUTTING SCREW	2
152	0393511	SAFETY LOCKOUT BRACKET	1
153	0393931	M5 X .08 X 20mm PAN HEAD PHILLIPS MACHINE SCREW	2
154	0393561	ROLL PIN	2
155	0393391	SWITCH LEVER SPRING	2
156	0393381	SPRING	1

HANDLE ASSEMBLY

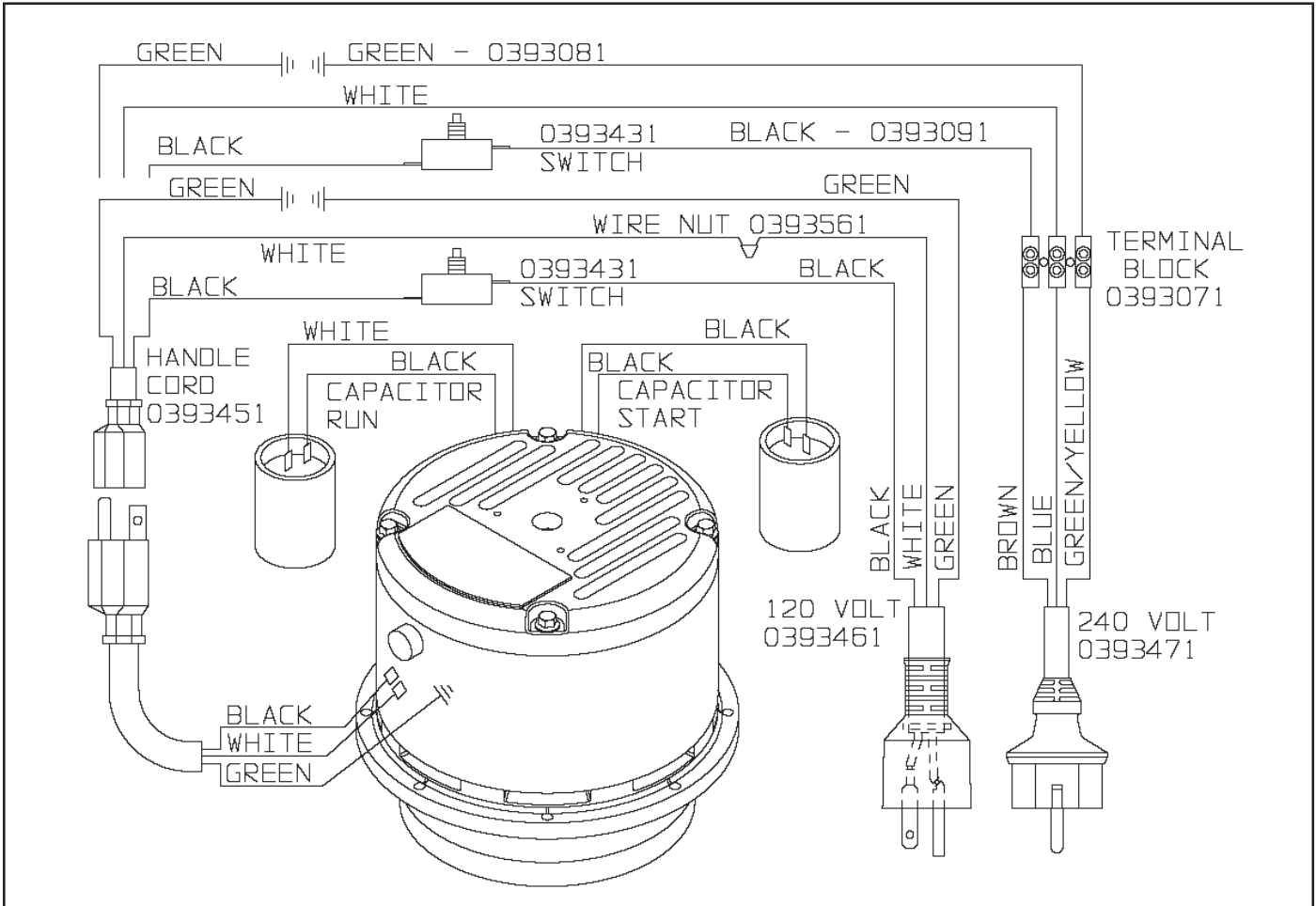


ITEM	PART NO.	DESCRIPTION	QTY
201	0393781	10-32 X 1/2 TRUSS HEAD SCREW	1
202	0393111	MOTOR COVER	1
	0394731	MOTOR COVER SPACER	1
203	0393101	1 HP 120 VOLT 60 HZ MOTOR AND GEAR BOX ASSEMBLY - INCLUDES:	1
	0394521	1 HP MOTOR 120 VOLT 60 HZ W/END SHIELD W/OUT GEAR BOX	1
	0394591	CAPACITOR - RUN - 50uF 370V	1
	0394641	CAPACITOR - START - 450uF 165V US	1
203	0393661	1.5 HP 120 VOLT 60 HZ MOTOR AND GEAR BOX ASSEMBLY - INCLUDES:	1
	0394551	1.5 HP MOTOR 120 VOLT 60 HZ W/END SHIELD W/OUT GEAR BOX	1
	0394631	CAPACITOR - RUN - 60uF 250V	1
	0394641	CAPACITOR - START - 450uF 165V US	1
203	0393671	1.5 HP 240 VOLT 50 HZ MOTOR AND GEAR BOX ASSEMBLY - INCLUDES:	1
	0394561	1.5 HP MOTOR 240 VOLT 50 HZ	1
	0394721	CAPACITOR - RUN - 30uF 450V	1
	0394641	CAPACITOR - START - 450uF 165V US	1
203	0393681	1.5 HP 240 VOLT 60 HZ MOTOR AND GEAR BOX ASSEMBLY - INCLUDES:	1
	0394571	1.5 HP MOTOR 240 VOLT 60 HZ	1
	0394631	CAPACITOR - RUN - 60uF 250V	1
	0394641	CAPACITOR - START - 450uF 165V US	1
	0394511	STATIONARY SWITCH - IMPERIAL - (ALL MOTORS)	1
203A	0394611	GEARBOX - 10:1 2P W/END SHIELD & FLEX COUPLING	1
203A	0394621	GEARBOX - 10:1 3P W/END SHIELD & FLEX COUPLING	1
203A1	5095301	FLEXIBLE COUPLING	1
203B	0393621	PLUG / CORD COVER - MOTOR	1
203C	0394581	MOTOR CORD	1
204	0393301	SPACER - (.344 I.D. X .5 O.D. X .188 L.)	4
205	0393181	17" SKIRT	1
	0393191	20" SKIRT	1
206	0393791	11/32 I.D. X 11/16 O.D. X .051/.080 THICK FLAT WASHER	3
207	0393811	5/16-18 SPLIT LOCK WASHER	3
208	0393821	5/16-18 X 1 HEX BOLT	3
209	0393701	17" BUMPER	1
	0393711	20" BUMPER	1
210	0393821	5/16-18 X 1 HEX BOLT	4
211	0393811	5/16-18 SPLIT LOCK WASHER	4
212	0393791	11/32 I.D. X 11/16 O.D. X .051/.080 THICK FLAT WASHER	4
213	0393791	11/32 I.D. X 11/16 O.D. X .051/.080 THICK FLAT WASHER	2
214	0393811	5/16-18 SPLIT LOCK WASHER	2
215	0393821	5/16-18 X 1 HEX BOLT	2
216	0393941	M5 X .08 X 30mm PAN HEAD PHILLIPS MACHINE SCREW	2
217	0393921	M5 X .08 HEX JAM NUT	2
218	0393251	RETAINING RING	4
219	0393221	AXLE AND HANDLE PIVOT	2
220	0393011	BASE	1
221	0393991	M14 FLAT WASHER	2
222	0393231	WHEEL 5" - SOFT GRAY RUBBER	2
223	0393361	SPACER, WHEEL	2
224	0393151	NYLINER	2
225	0393021	HANDLE BRACE	1
226	0393801	3/8-16 HEX NUT WITH NY-LOK INSERT	1
227	0393831	7/16 I.D. X 1. O.D. X .075/.080 THICK FLAT WASHER (3/8)	1
228	0393141	FLATTENED CLAMP BOLT	1
229	0393961	M8 X 1.25 HEX NUT WITH NY-LOK INSERT	1
230	0393131	SLOTTED WASHER	1
231	0393971	M8 X 1.25 X 25mm HEX BOLT	1
232	0393121	CLAMP LEVER	1
233	0393321	HANDLE GRIP	1
234	0393981	M8 X 1.25 X 65mm HEX BOLT	1
235	0393041	HANDLE CLAMP - LEFT	1
236	0393031	HANDLE CLAMP - RIGHT	1
237	0393951	M8 FLAT WASHER	2
238	0393961	M8 X 1.25 HEX NUT WITH NY-LOK INSERT	1

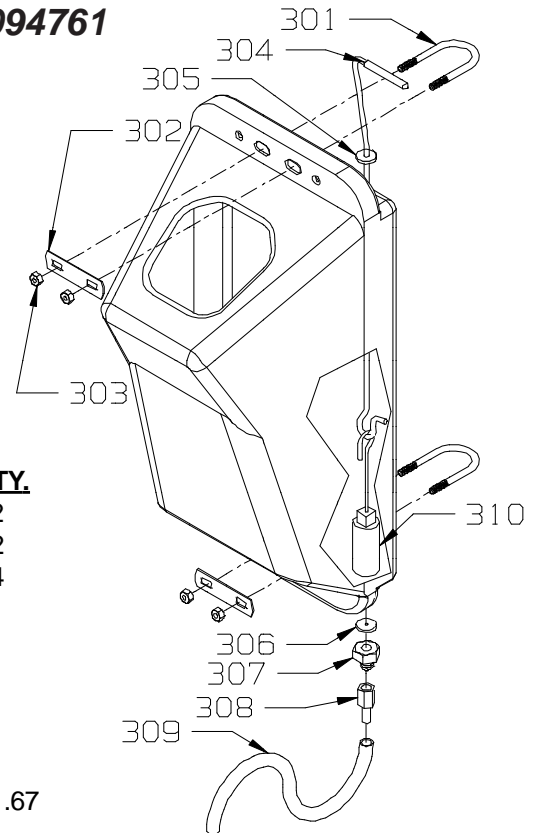
BASE / HANDLE ASSEMBLY



WIRING DIAGRAM



SOLUTION TANK - 5094761



ITEM	PART #	PART DESCRIPTION	QTY.
301	5094281	5-16-18 U-BOLT ASSEMBLY - INCLUDES:	2
302	5094281	WASHER BAR	2
303	9121420	5/16-18 HEX NUT	4
304	5094221	HANDLE ROD - INCLUDES:	1
	5094211	VINYL HANDLE GRIP	1
305	5094231	GROMMET	1
306	5094261	NEOPRENE WASHER	1
307	5094271	1/4 PIPE NUT	1
308	5094191	1/4 NPT X 5/16 HOSE BARB	1
309	8791020	SOLUTION TUBE	1.67
310	5094241	SOLUTION VALVE ASSEMBLY	1

ACCESSORIES



- 2890101 PLASTIC CLUTCH PLATE - 5" DIAMETER - 6 HOLES
- 2890981 PLASTIC CLUTCH PLATE - 4" DIAMETER - 3 HOLES
- 2890991 ALUMINUM CLUTCH PLATE - 5" DIAMETER - 6 HOLES
- 2893001 ALUMINUM CLUTCH PLATE - 4" DIAMETER - 3 HOLES



- 2897211 17" POLY BACK TUFTED PAD DRIVER
- 2897601 17" STRUCTURAL FOAM PAD DRIVER
- 2897201 17" POLY BACK NYLON FILL SCRUB BRUSH - LIGHT TO MEDIUM SCRUB
- 2897711 17" POLY BACK NYLON GRIT FILL SCRUB BRUSH - HEAVY CONCRETE SCRUB
- 2897821 17" POLY BACK NYLON - SOFT SCRUB BRUSH - CARPET ONLY
- 2897901 17" POLY BACK SCRUB GRIT BRUSH - MILD TO MEDIUM SCRUB



- 2892211 20" POLY BACK TUFTED PAD DRIVER
- 2892601 20" STRUCTURAL FOAM PAD DRIVER
- 2892201 20" POLY BACK NYLON FILL SCRUB BRUSH - LIGHT TO MEDIUM SCRUB
- 2892651 20" POLY BACK NYLON FILL SCRUB BRUSH - WITH GUIDE FOR CARPET SHAMPOOING
- 2892711 20" POLY BACK NYLON GRIT FILL SCRUB BRUSH - HEAVY CONCRETE SCRUB
- 2892031 20" PLASTIC BACK BASSINE SCRUB BRUSH - GENERAL SCRUB
- 2892701 20" POLY BRUSH - SHOWER FEED - STANDARD CARPET SCRUB
- 2892901 20" POLY BACK SCRUB GRIT BRUSH - MILD TO MEDIUM SCRUB



- NOTE: ALL PADS COME 5 (FIVE) PADS PER CASE
- 7991751 17" LITE BLUE POLISH/BURNISH PAD - SOFT FINISH
 - 7991741 17" UHS CLEAN BUFF PAD - REMOVE SCUFF MARKS NOT FINISH
 - 7991731 17" BLUE SCRUB PAD - TOP SCRUB AND LIGHT FINISH REMOVAL
 - 7991721 17" GREEN SCRUB PAD - HEAVY FINISH REMOVAL
 - 7991701 17" BLACK STRIP PAD - REMOVES FINISH COMPLETELY
 - 7992051 20" LITE BLUE POLISH/BURNISH PAD - SOFT FINISH
 - 7992041 20" UHS CLEAN BUFF PAD - REMOVE SCUFF MARKS NOT FINISH
 - 7992031 20" BLUE SCRUB PAD - TOP SCRUB AND LIGHT FINISH REMOVAL
 - 7992021 20" GREEN SCRUB PAD - HEAVY FINISH REMOVAL
 - 7992001 20" BLACK STRIP PAD - REMOVES FINISH COMPLETELY
 - 7992011 20" BROWN STRIP PAD - REMOVES FINISH COMPLETELY



- 2890201 SPRAY BUFF APPLICATOR - PUMP UP TYPE



- 5094761 DELUXE SOLUTION TANK - 2 GALLON WITH BRASS VALVES



NSS® Enterprises, Inc.

3115 Frenchmens Road, Toledo, Ohio 43607
PHONE (419) 531-2121 FAX (419) 531-3761

**NSS® Enterprises, Inc. European Distribution
Centre**

Unit II, Pinfold Trading Estate * 55 Nottingham Road
STAPLEFORD, NOTTINGHAM NG9 8AD ENGLAND U.K.
PHONE: (44) 0115 939 1568 * FAX: (44) 0115 949 0615