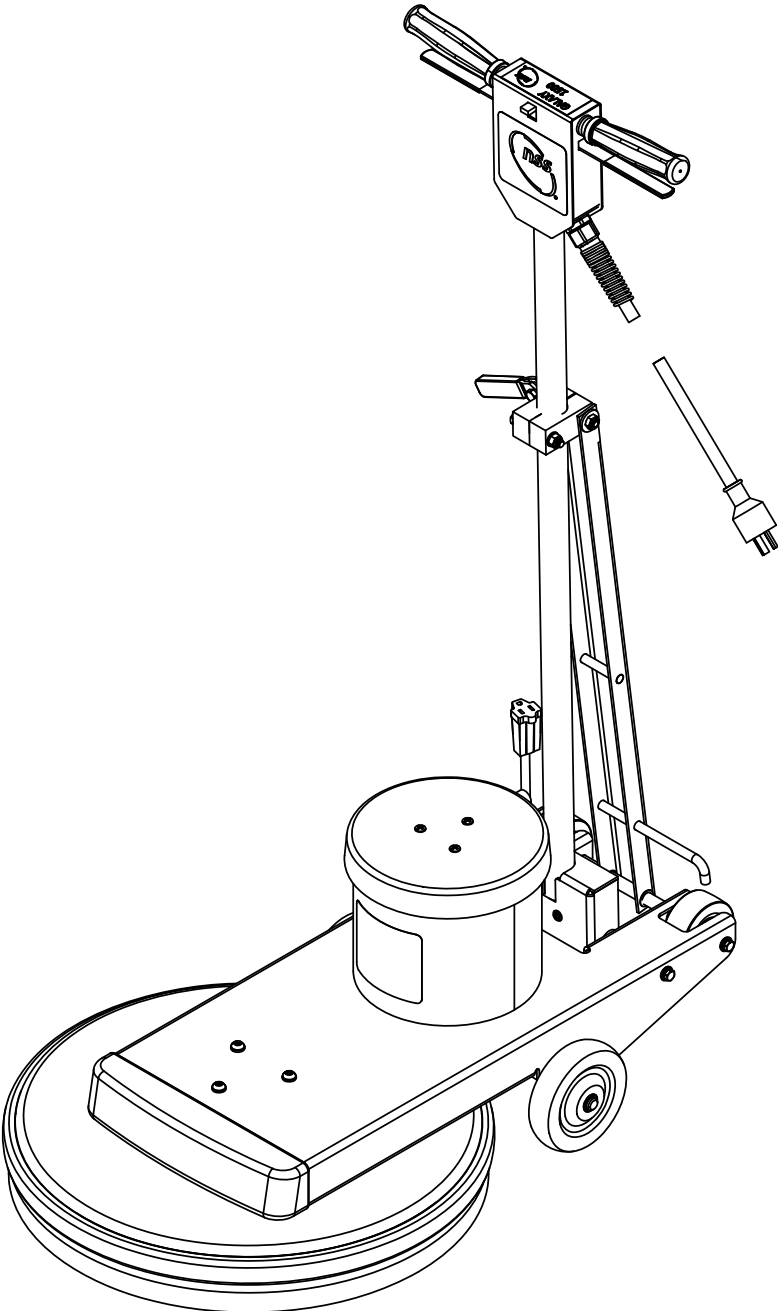


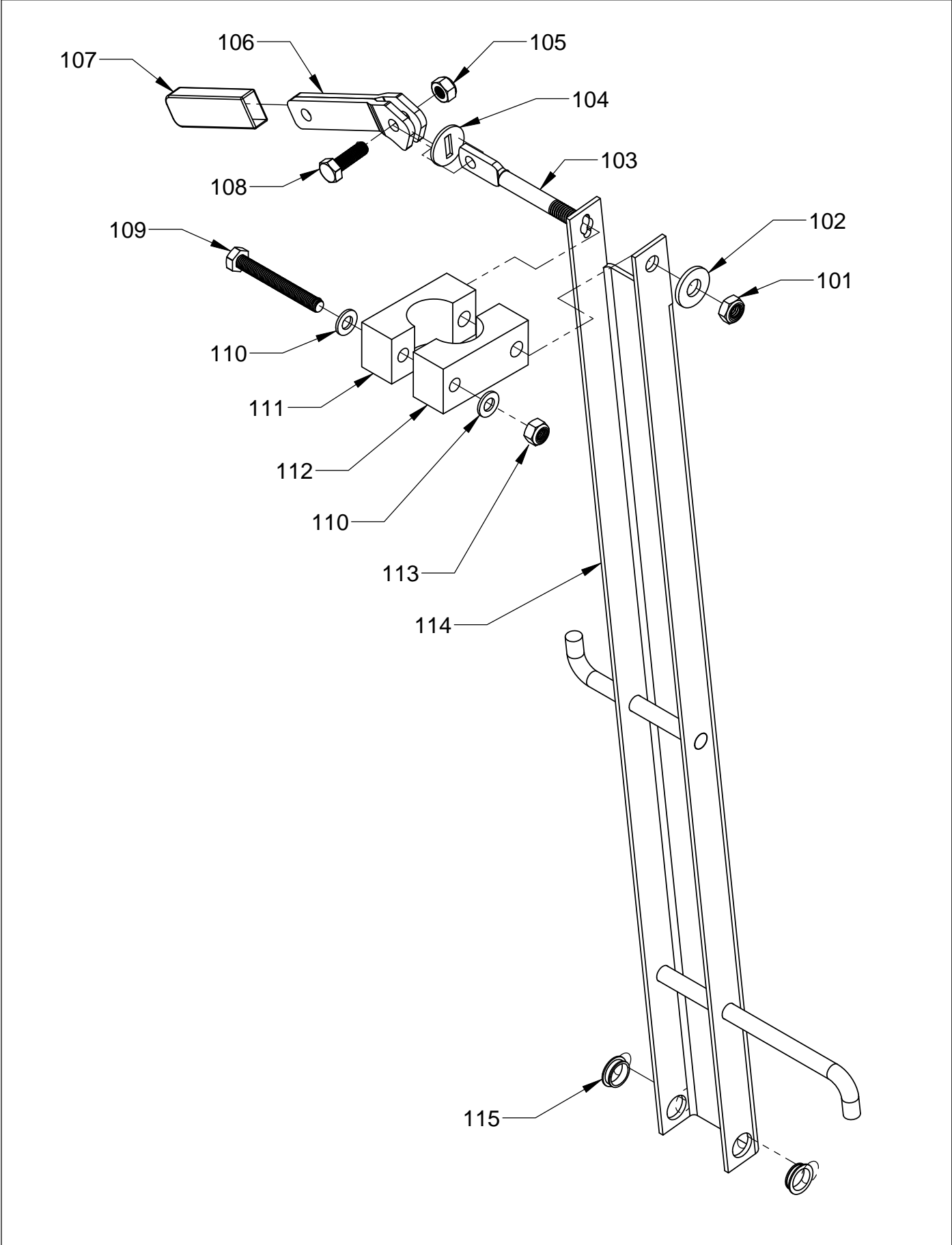
**PARTS LIST**  
**GALAXY 1500 BURNISHER**



## **HANDLE BRACE ASSEMBLY**

| <b><u>ITEM</u></b> | <b><u>PART NO.</u></b> | <b><u>DESCRIPTION</u></b>         | <b><u>QTY</u></b> |
|--------------------|------------------------|-----------------------------------|-------------------|
| 101                | 0393801                | 3/8-16 HEX NUT W/ NYLOK INSERT    | 1                 |
| 102                | 0393831                | 3/8 SAE FLAT WASHER               | 1                 |
| 103                | 0393141                | FLATTENED CLAMP BOLT              | 1                 |
| 104                | 0393131                | SLOTTED WASHER                    | 1                 |
| 105                | 0393961                | M8 X 1.25 HEX NUT W/ NYLOK INSERT | 1                 |
| 106                | 0393121                | CLAMP LEVER                       | 1                 |
| 107                | 0393321                | HANDLE GRIP                       | 1                 |
| 108                | 0393971                | M8 X 1.25 X 25mm HEX BOLT         | 1                 |
| 109                | 0393981                | M8 X 1.25 X 65mm HEX BOLT         | 1                 |
| 110                | 0393951                | M8 FLAT WASHER                    | 2                 |
| 111                | 0393041                | HANDLE CLAMP - LEFT               | 1                 |
| 112                | 0393031                | HANDLE CLAMP - RIGHT              | 1                 |
| 113                | 0393961                | M8 X 1.25 HEX NUT W/ NYLOK INSERT | 1                 |
| 114                | 0393021                | HANDLE BRACE                      | 1                 |
| 115                | 0393151                | NYLINER                           | 2                 |

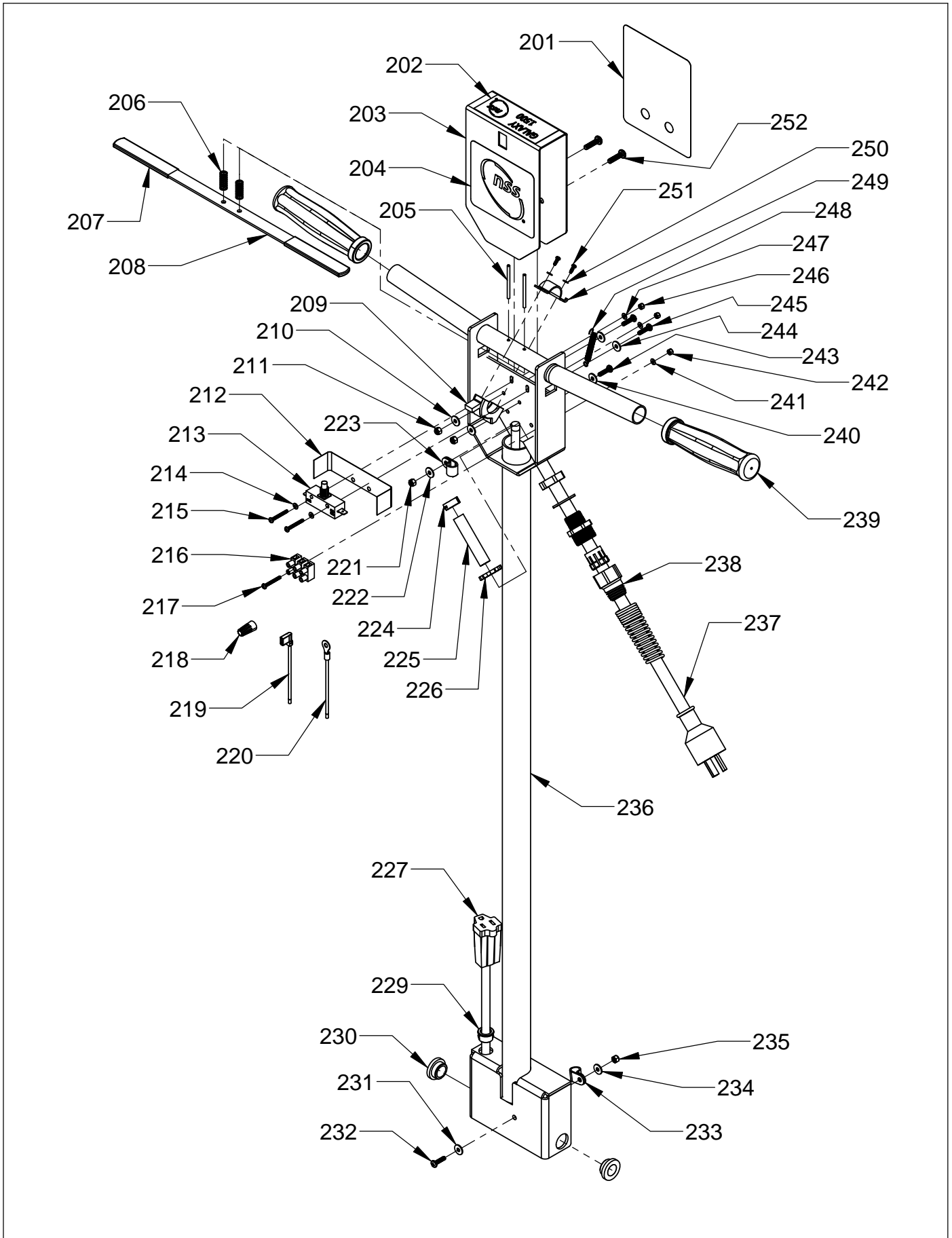
**HANDLE BRACE ASSEMBLY**



## HANDLE ASSEMBLY

| <u>ITEM</u> | <u>PART NO.</u> | <u>DESCRIPTION</u>                                 | <u>QTY</u> |
|-------------|-----------------|--|------------|
| 201         | 0393051         | SAFETY DECAL                                       | 1          |
| 202         | 0395321         | IDENTIFIER DECAL - GALAXY 1500                     | 1          |
| 203         | 0393351         | SWITCH BOX COVER                                   | 1          |
| 204         | 0393531         | NSS DECAL  | 1          |
| 205         | 0393561         | ROLL PIN   | 2          |
| 206         | 0393391         | SWITCH LEVER SPRING                                | 2          |
| 207         | 0393411         | GRIP - SWITCH LEVER                                | 2          |
| 208         | 0393401         | SWITCH LEVER                                       | 1          |
| 209         | 0393521         | SAFETY LOCKOUT                                     | 1          |
| 210         | 0393891         | M4 FLAT WASHER                                     | 2          |
| 211         | 0393901         | M4 X .07 HEX NUT W/ NYLOK INSERT                   | 2          |
| 212         | 0393421         | SWITCH INSULATOR                                   | 1          |
| 213         | 5390211         | SWITCH   | 1          |
| 214         | 0393851         | M3 FLAT WASHER                                     | 2          |
| 215         | 0393871         | M3 X .05 X 25mm PAN HEAD PHILLIPS MACHINE SCREW    | 2          |
| 216         | 0393071         | TERMINAL BLOCK - 240 VOLT ONLY                     | 1          |
| 217         | 0393871         | M3 X .05 X 25mm PAN HEAD PHILLIPS MACHINE SCREW    | 1          |
| 218         | 0393291         | WIRE NUT (ORANGE)                                  | 1          |
| 219         | 0393091         | WIRE - DEAD/TERMINAL - 240 VOLT ONLY               | 1          |
| 220         | 0393081         | WIRE - GROUND/TERMINAL - 240 VOLT ONLY             | 1          |
| 221         | 0393901         | M4 X .07 HEX NUT W/ NYLOK INSERT                   | 1          |
| 222         | 0393891         | M4 FLAT WASHER                                     | 1          |
| 223         | 0393331         | CORD CLAMP   | 1          |
| 224         | 0393311         | CORD CLAMP - CRIMP ON                              | 1          |
| 225         | 8791071         | VINYL TUBE - 240 VOLT ONLY                         | 1          |
| 226         | 5390261         | REPLACEMENT STRAIN RELIEF NUT                      | 1          |
| 227         | 0393451         | HANDLE CORD  | 1          |
| 228         | 0393631         | PLUG/CORD COVER - HANDLE                           | 1          |
| 229         | 0393341         | CORD GROMMET                                       | 1          |
| 230         | 0393641         | BUSHING - LOWER HANDLE                             | 2          |
| 231         | 0393891         | M4 FLAT WASHER                                     | 1          |
| 232         | 0393911         | M4 X .07 X 16mm PAN HEAD PHILLIPS MACHINE SCREW    | 1          |
| 233         | 0393331         | CORD CLAMP   | 1          |
| 234         | 0393891         | M4 FLAT WASHER                                     | 1          |
| 235         | 0393901         | M4 X .07 HEX NUT W/ NYLOK INSERT                   | 1          |
| 236         | 0393371         | HANDLE   | 1          |
| 237         | 5091561         | CORD 50 OOT, 14-3 - 120 VOLT ONLY                  | 1          |
|             | 0393471         | SHUKO CORD, 16-3 - 240 VOLT ONLY                   | 1          |
| 238         | 0393491         | CORD STRAIN RELIEF - 120 VOLT ONLY                 | 1          |
|             | 0393501         | CORD STRAIN RELIEF - 240 VOLT ONLY                 | 1          |
| 239         | 0393441         | HANDLE GRIP  | 2          |
| 240         | 0393891         | M4 FLAT WASHER                                     | 1          |
| 241         | 0393851         | M3 FLAT WASHER - 240 VOLT ONLY                     | 1          |
| 242         | 0393861         | M3 X .05 HEX NUT WITH NYLOK INSERT - 240 VOLT ONLY | 1          |
| 243         | 0393911         | M4 X .07 X 16mm PAN HEAD PHILLIPS MACHINE SCREW    | 1          |
| 244         | 0393891         | M4 FLAT WASHER                                     | 2          |
| 245         | 0393911         | M4 X .07 X 16mm PAN HEAD PHILLIPS MACHINE SCREW    | 2          |
| 246         | 0393851         | M3 FLAT WASHER                                     | 2          |
| 247         | 0393861         | M3 X .05 HEX NUT WITH NYLOK INSERT                 | 2          |
| 248         | 0393381         | SPRING   | 1          |
| 249         | 0393511         | SAFETY LOCKOUT BRACKET                             | 1          |
| 250         | 0393841         | M3 EXTERNAL STAR LOCK WASHER                       | 2          |
| 251         | 0393881         | M3 X .05 X 8mm PAN HEAD PHILLIPS MACHINE SCREW     | 2          |
| 252         | 0393931         | M5 X .08 X 20mm PAN HEAD PHILLIPS MACHINE SCREW    | 2          |

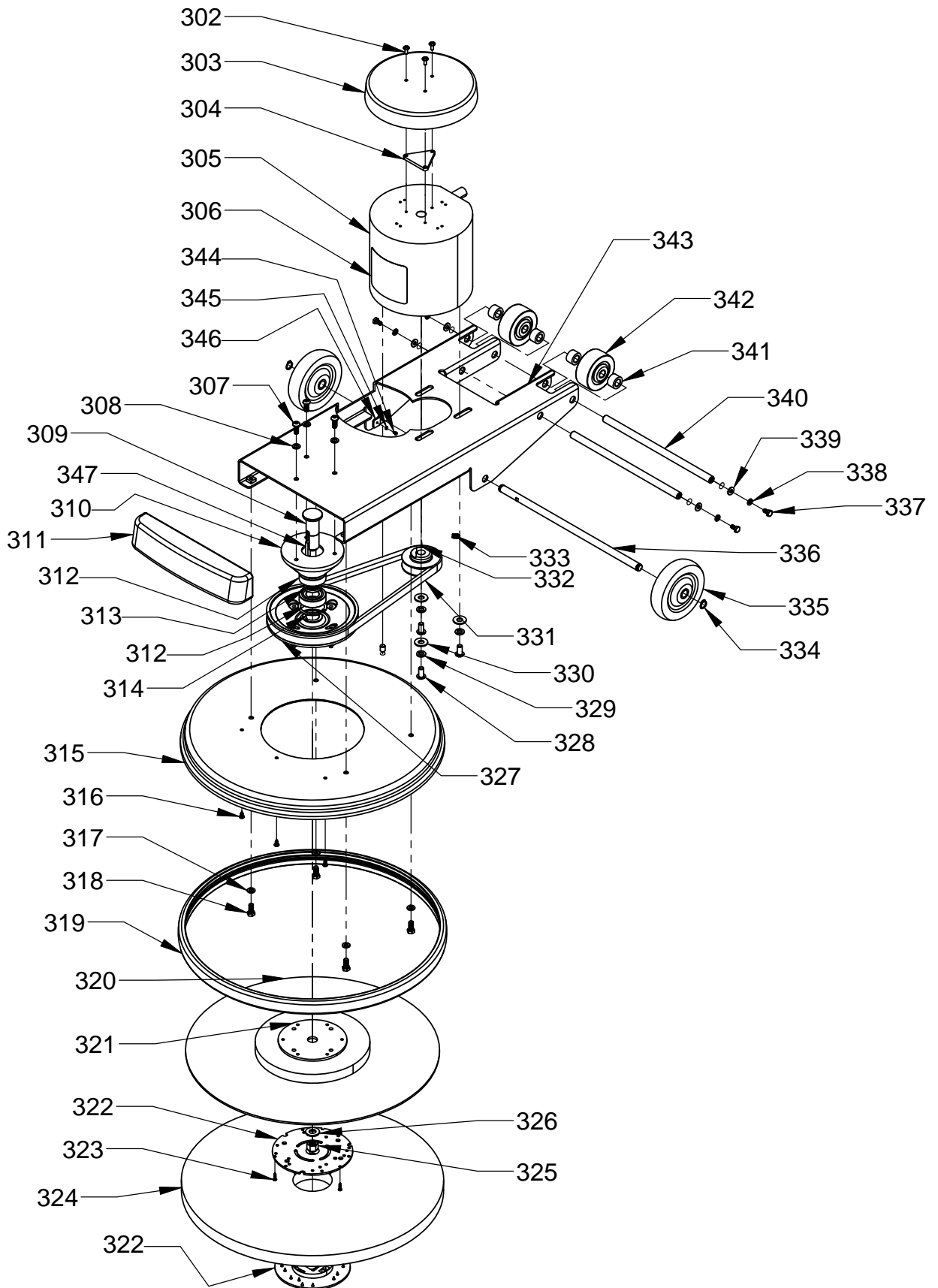
# HANDLE ASSEMBLY



## BASE/MOTOR ASSEMBLY

| <u>ITEM</u> | <u>PART NO.</u> | <u>DE Scription</u>                                   | <u>QTY</u> |
|-------------|-----------------|---|------------|
| 302         | 0393781         | #10-32 X 1/2 TRUSS HEAD SCREW                         | 3          |
| 303         | 0393111         | MOTOR COVER   | 1          |
| 304         | 0394731         | MOTOR COVER SPACER                                    | 1          |
| 305         | 5991511         | MOTOR, 115 VOLT, 1.5 HP                               | 1          |
|             | 0395731         | MOTOR, 230 VOLT, 1.5 HP                               | 1          |
| 306         | 0393531         | CLOUD BURST LABEL                                     | 1          |
| 307         | 0395931         | M8 X 1.25 X 20mm BUTTON HEAD CAP SCREW                | 3          |
| 308         | 0395921         | M8 SPLIT LOCK WASHER                                  | 3          |
| 309         | 0395231         | PULLEY SHAFT  | 1          |
| 310         | 0395221         | BEARING HOUSING                                       | 1          |
| 311         | 5990091         | PULLEY COVER  | 1          |
| 312         | 0395201         | BALL BEARING  | 2          |
| 313         | 0395261         | BEARING SPACER  | 1          |
| 314         | 0395251         | RETAINING RING  | 1          |
| 315         | 0396201         | SKIRT   | 1          |
| 316         | 9120810         | #10 X 1/2 PAN HD PHILLIPS SHEETMETAL SCREW - PK OF 10 | 3          |
| 317         | 9121520         | 5/16 SPLIT LOCK WASHER - PACK OF 10                   | 4          |
| 318         | 9121640         | 5/16-18 X 3/4 HEXBOLT - PACK OF 5                     | 4          |
| 319         | 0395831         | BUMPER, 20"   | 1          |
| 320         | 5990759         | FLEXIBLE PAD DRIVER ASSEMBLY - INCLUDES:              |            |
|             | 5990741         | PAD DRIVER  | 1          |
| 321         | 5990751         | PAD DRIVER PLATE                                      | 1          |
| 322         | 5990731         | SPRING CUP PAD HOLDER - INCLUDES:                     | 1          |
| 323         | 9120140         | #6 X 5/8 PAN HEAD PHILLIPS SHEET METAL SCREW          | 3          |
| 324         | ---             | PAD - SEE ACCESSORIES PAGE FOR OPTIONS                | 1          |
| 325         | 9122450         | 1/2 SAE FLAT WASHER - PACK OF 5                       | 1          |
| 326         | 9122507         | 1/2-13 HEXNUT W/ NYLOK INSERT - PACK OF 1             | 1          |
| 327         | 0395211         | PULLEY - INCLUDES:                                    | 1          |
|             | 9121043         | 1/4 X 1 1/8 ROLL PIN - PACK OF 5                      | 4          |
| 328         | 9122030         | 3/8-16 X 3/4 BUTTON HD SOCKET CAP SCREW - PACK OF 2   | 4          |
| 329         | 9122100         | 3/8 SPLIT LOCK WASHER - PACK OF 10                    | 4          |
| 330         | 9121980         | 3/8 SAE FLAT WASHER - PACK OF 2                       | 4          |
| 331         | 0396131         | BELT  | 1          |
| 332         | 5294491         | MOTOR PULLEY - INCLUDES:                              | 1          |
| 333         | 9121380         | 5/16-18 X 3/8 KNURL POINT SET SCREW                   | 1          |
| 334         | 0393251         | RETAINING RING  | 2          |
| 335         | 0393231         | 5" SOFT GRAY RUBBER WHEEL                             | 2          |
| 336         | 0395271         | AXLE  | 1          |
| 337         | 9121170         | 1/4-20 X 1/2 LONG HEXHEAD BOLT - PACK OF 10           | 4          |
| 338         | 9120880         | 1/4 SPLIT LOCK WASHER - PACK OF 10                    | 4          |
| 339         | 9120930         | 1/4 SAE FLATWASHER - PACK OF 10                       | 4          |
| 340         | 0395281         | HANDLE SHAFT  | 2          |
| 341         | 0395301         | REAR WHEEL SPACER                                     | 4          |
| 342         | 0395291         | 3" WHEEL  | 2          |
| 343         | 0395241         | GALAXY 1500 FRAME                                     | 1          |
| 344         | 0395801         | ANTI-ROTATION LOCK TAB                                | 1          |
| 345         | 0395811         | M3 LOCK WASHER  | 1          |
| 346         | 0395821         | M3 X .05 X 6mm LONG BUTTON HEAD CAP SCREW             | 1          |
| 347         | 0395841         | KEY   | 1          |

# BASE/MOTOR ASSEMBLY



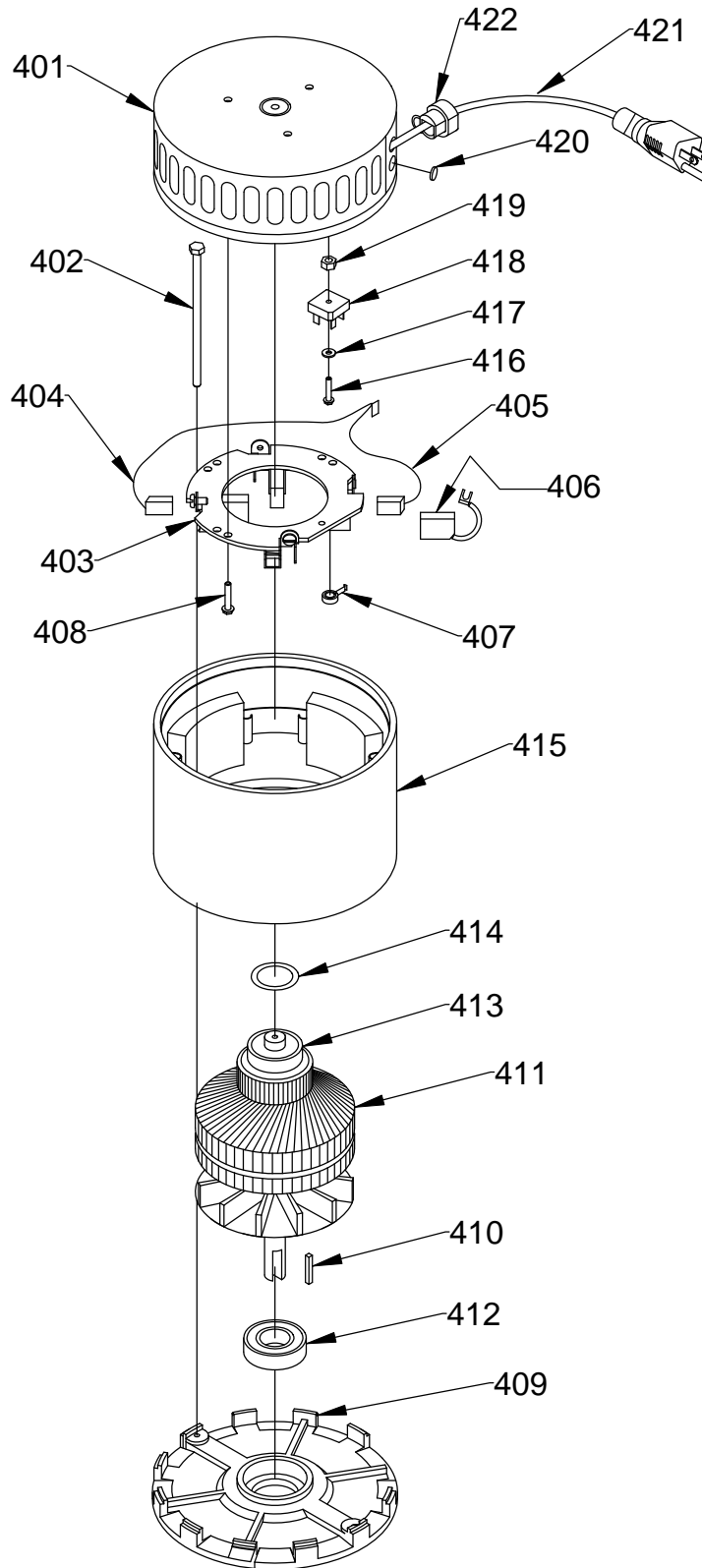
## MOTOR ASSEMBLY

| <u>ITEM</u> | <u>PART NO.</u>       | <u>DESCRIPTION</u>                                       | <u>QTY</u> |
|-------------|-----------------------|--|------------|
|             | <b><u>5991511</u></b> | <b><u>COMPLETE MOTOR - 115 VOLT - 1.5 HP</u></b>         |            |
| 401         | 5991561               | COMMUTATOR BRACKET ASSEMBLY WITH BRUSH, BOARD, LEADS     | 1          |
|             | 5991571               | COMMUTATOR BRACKET                                       | 1          |
|             | 5991731               | COMMUTATOR BRACKET COVER                                 | 1          |
| 402         | 5991701               | THRU BOLT  | 2          |
| 403         | 5991611               | BRUSH BOARD ASSY WITH BRUSHES, SPRINGS, DETECTORS, LEADS | 1          |
|             | 5991641               | VARISTOR ASSEMBLY WITH SLEEVING AND TERMINALS            | 1          |
| 404         | 5991621               | RED LEAD ASSEMBLY  | 1          |
| 405         | 5991631               | YELLOW LEAD ASSEMBLY                                     | 1          |
| 406         | 5293651               | CARBON BRUSH   | 1          |
| 407         | 2797571               | BRUSH SPRING   | 1          |
| 408         | 5991601               | 10-24 X 1/2 SELF TAPPING SCREW                           | 4          |
| 409         | 5991721               | BRACKET - BOTTOM END                                     | 1          |
| 410         | 5991711               | SHAFT KEY  | 1          |
| 411         | 5991531               | ARMATURE ASSEMBLY INCLUDES:                              | 1          |
| 412         | 5991541               | BEARING - BOTTOM END                                     | 1          |
| 413         | 5991551               | BEARING - TOP END  | 1          |
| 414         | 5991741               | HELICAL WASHER   | 1          |
| 415         | 5991521               | STATOR FRAME ASSEMBLY - WITH CLIPS AND MAGNETS           | 1          |
| 416         | 5991661               | 8-32 X 1.125 MOUNTING SCREW                              | 1          |
| 417         | 5991671               | M8 FLAT WASHER - BRASS                                   | 1          |
| 418         | 5991651               | RECTIFIER  | 1          |
| 419         | 5991681               | HEX NUT WITH STAR LOCK WASHER                            | 1          |
| 420         | 5991581               | HOLE PLUG  | 1          |
| 421         | 5991691               | MOTOR CORD   | 1          |
| 422         | 5991591               | STRAIN RELIEF  | 1          |
|             | <b><u>0395731</u></b> | <b><u>COMPLETE MOTOR 230 VOLT - 1.5 H.P.</u></b>         |            |
| 401         | 0396011               | COMMUTATOR BRACKET ASSEMBLY WITH BRUSH, BOARD, LEADS     | 1          |
|             | 0396021               | COMMUTATOR BRACKET                                       | 1          |
|             | 5991731               | COMMUTATOR BRACKET COVER                                 | 1          |
|             | 0396031               | COMMUTATOR BRACKET COVER SCREW                           | 4          |
| 402         | 5991701               | THRU BOLT  | 2          |
| 403         | 396041                | BRUSH BOARD ASSY WITH BRUSHES, SPRINGS, DETECTORS, LEADS | 1          |
|             | 396051                | VARISTOR ASSEMBLY WITH SLEEVING AND TERMINALS            | 1          |
| 404         | 5991621               | RED LEAD ASSEMBLY  | 1          |
| 405         | 396061                | YELLOW LEAD ASSEMBLY                                     | 1          |
| 406         | 396071                | CARBON BRUSH   | 4          |
| 407         | 396081                | BRUSH SPRING   | 4          |
| 408         | 5991601               | 10-24 X 1/2 SELF TAPPING SCREW                           | 5          |
| 409         | 5991721               | BRACKET - BOTTOM END                                     | 1          |
| 410         | 5991711               | SHAFT KEY  | 1          |
| 411         | 396091                | ARMATURE ASSEMBLY INCLUDES:                              | 1          |
| 412         | 5991541               | BEARING - BOTTOM END                                     | 1          |
| 413         | 5991551               | BEARING - TOP END  | 1          |
| 414         | 5991741               | HELICAL WASHER   | 1          |
| 415         | 5991521               | STATOR FRAME ASSEMBLY - WITH CLIPS AND MAGNETS           | 1          |
| 416         | 5991661               | 8-32 X 1.125 MOUNTING SCREW                              | 1          |
| 417         | 5991671               | M8 FLAT WASHER - BRASS                                   | 1          |
| 418         | 396101                | RECTIFIER  | 1          |
| 419         | 5991681               | HEX NUT WITH STAR LOCK WASHER                            | 1          |
| 420         | 396111                | HOLE PLUG  | 1          |
| 421         | 5991691               | MOTOR CORD   | 1          |
| 422         | 5991591               | STRAIN RELIEF  | 2          |

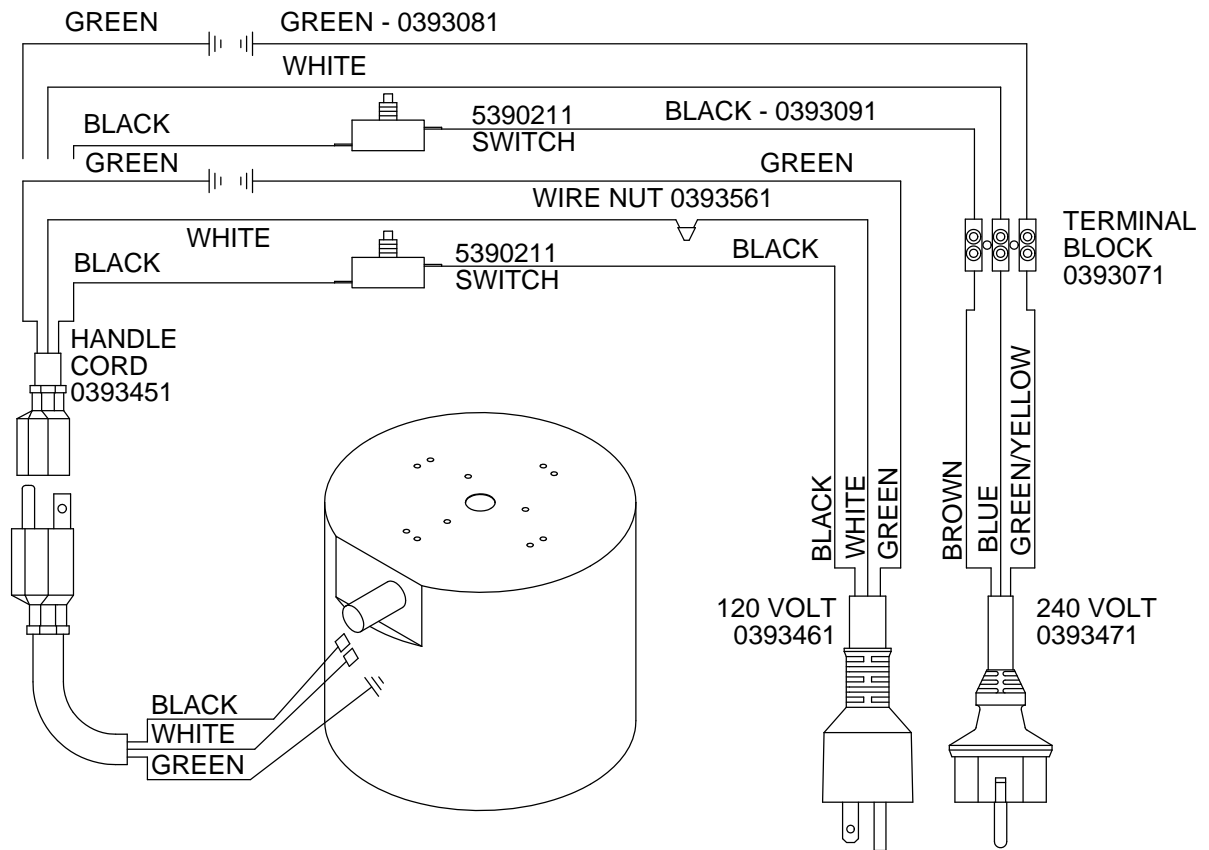


# MOTOR ASSEMBLY

## 115/230 VOLT MOTOR



# WIRING DIAGRAM



## ACCESSORIES



**PART NO.**

NOTE:

7992051

7992061

7992081

7992091

7992021

7992001

7992011

**PART DESCRIPTION**

ALL PADS COME 5 PADS PER CASE

20" LITE BLUE POLISH/BURNISH PAD - FOR SOFT FINISH

20" LITE HAIR BURNISH PAD - FOR ALL FINISHES

20" ULTRA HAIR HARD FINISH PAD - FOR HARD FINISH

20" ULTIMATE HAIR PAD - HARD FINISH AGGRESSIVE BURNISHING

20" GREEN SCRUB PAD - HEAVY FINISH REMOVAL

20" BLACK STRIP PAD - REMOVES FINISH COMPLETELY

20" BROWN STRIP PAD - REMOVES FINISH COMPLETELY

# NOTES



## **NSS® Enterprises, Inc.**

3115 Frenchmens Road, Toledo, Ohio 43607  
® PHONE (419) 531-2121 FAX (419) 531-3761

**NSS® Enterprises, Inc. European Distribution Centre**  
Unit II, Pinfold Trading Estate \* 55 Nottingham Road  
STAPLEFORD, NOTTINGHAM NG9 8AD ENGLAND U.K.  
PHONE: (44) 0115 939 1568 \* FAX: (44) 0115 949 0615