

Carpet Spotter

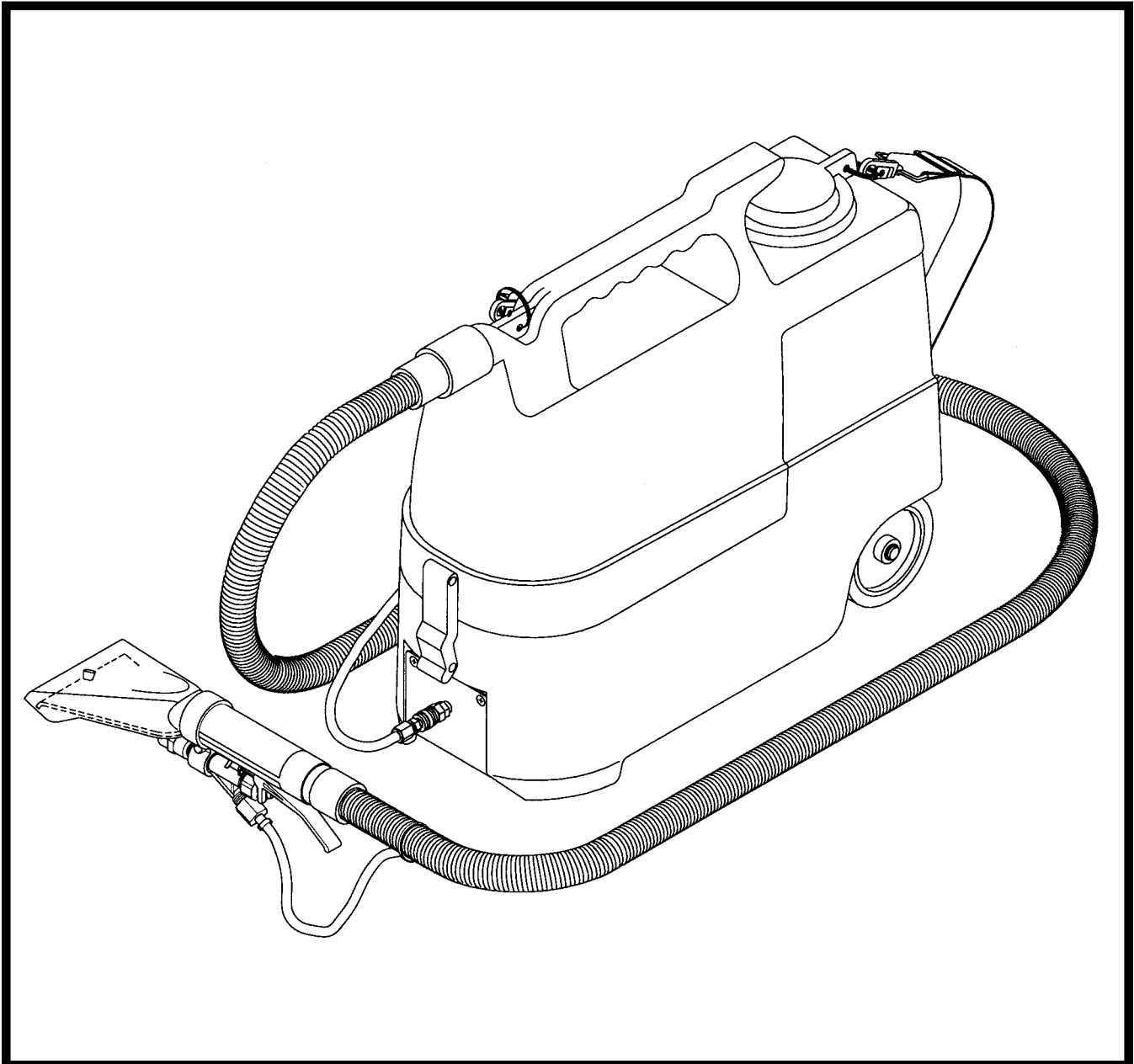
Model: C46200-00
C46200-02
C46200-02CE

OPERATION

SERVICE

PARTS

CARE



Revised 6/02

Minuteman[®]

EC Declaration of Conformity

according to Directives 72/23, 89/392, and 89/336

We, Minuteman International Incorporated, of 111 South Rohlwing Road Addison Illinois 60101 USA, declare under our sole responsibility that the product C46200-02CE Commercial Carpet Spotter to which this declaration relates corresponds to the relevant requirements of the EC Directives 72/23, 89/392 and 89/336. The following standards were used to determine compliance with the Directives: EN 292, EN 294, EN 811, EN 55014, EN 55104, EN60335-1, and IEC 335-2-68.

SOUND		VIBRATION												
81 dB Operator	78dB At 3m	3.0 m/s² At Operators Handle												
Tests were conducted on 12/18/96 with calibrated sound and vibration equipment under the conditions noted below: <table style="width: 100%; margin-top: 10px;"> <tr> <td style="width: 33%;">General Condition:</td> <td style="width: 33%;">Indoors</td> <td style="width: 33%;">Wind:</td> <td style="width: 33%;">0 km/hr</td> </tr> <tr> <td>Temperature:</td> <td>25°C</td> <td>Humidity:</td> <td>70%</td> </tr> <tr> <td>Barometric Pressure:</td> <td>29.5</td> <td></td> <td></td> </tr> </table>			General Condition:	Indoors	Wind:	0 km/hr	Temperature:	25°C	Humidity:	70%	Barometric Pressure:	29.5		
General Condition:	Indoors	Wind:	0 km/hr											
Temperature:	25°C	Humidity:	70%											
Barometric Pressure:	29.5													



 Kenneth Kaczmarz, Standards Engineer

12/18/96

 Date

FOR COMMERCIAL USE ONLY

IMPORTANT SAFETY INSTRUCTIONS

When using an electrical appliance, basic precautions should always be followed, including the following:

READ ALL INSTRUCTIONS BEFORE USING

WARNING - To reduce the risk of fire, electric shock, or injury:

- Do not leave appliance when plugged in. Unplug from outlet when not in use and before servicing.

WARNING

To reduce the risk of electrical shock, do not expose to rain. Store indoors.

- Use motorized tool on carpet moistened by the cleaning process.
- Do not allow to be used as a toy. Close attention is necessary when used by or near children.
- Use only as described in this manual. Use only manufacturer's recommended attachments.
- Do not use with damaged cord or plug. If appliance is not working as it should, has been dropped, damaged, left outdoors, or dropped into water, return it to a service center.
- Do not pull or carry by cord, use cord as a handle, close a door on cord, or pull cord around sharp edges or corners. Do not run appliance over cord. Keep cord away from heated surfaces.
- Do not unplug by pulling on cord. To unplug, grasp the plug, not the cord.
- Do not handle plug or appliance with wet hands.
- Do not put any object into openings. Do not use with any opening blocked; keep free of dust, lint, hair, and anything that may reduce air flow.
- Keep hair, loose clothing, fingers, and all parts of body away from openings and moving parts.
- Do not pick up anything that is burning or smoking, such as cigarettes, matches, or hot ashes.
- Do not use without dust-bag and/or filters in place.
- Turn off all controls before unplugging.
- Use extra care when cleaning on stairs.
- Do not use to pick up flammable or combustible liquids such as gasoline or use in areas where they may be present.
- Connect to a properly grounded outlet only. See grounding instructions.

SAVE THESE INSTRUCTIONS

INSPECTION

Carefully unpack and inspect your machine for shipping damage. Each unit is tested and thoroughly inspected before shipment, and any damage is the responsibility of the delivery carrier who should be notified immediately.

ELECTRICAL - Model C46200-00 (115V)

This machine is designed to operate on a standard 15 amp, 115 volt, 60 hz, AC circuit. Voltages below 105 volts AC or above 125 volts AC could cause serious damage to the motor.

ELECTRICAL - Model C46200-02, C46200-02CE (230V)

This machine is designed to operate on a standard 16 amp, type L fused 230 volt, 50 hz, AC circuit. Voltages below 200 volts AC or above 250 volts AC could cause serious damage to the motor. I.E.C. Class 1.

WARNING

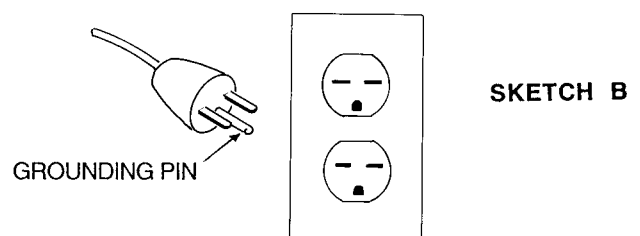
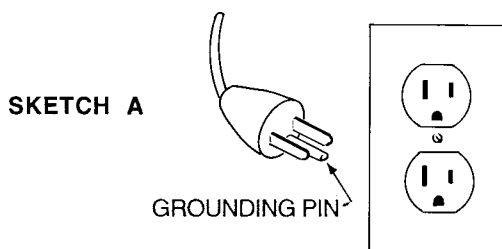
Electric motors can cause explosions when operated near explosive materials or vapors. Do not operate this machine near flammable materials such as solvents, thinners, fuels, grain dust, etc.

GROUNDING INSTRUCTIONS

This appliance must be grounded. If it should malfunction or breakdown, grounding provides a path of least resistance for electric current to reduce the risk of electric shock. This appliance is equipped with a cord having an equipment-grounding conductor and grounding plug. The plug must be plugged into an appropriate outlet that is properly installed and grounded in accordance with all local codes and ordinances.

DANGER - Improper connection of the equipment-grounding conductor can result in a risk of electric shock. Check with a qualified electrician or service person if you are in doubt as to whether the outlet is properly grounded. Do not modify the plug provided with the appliance -- if it will not fit the outlet, have a proper outlet installed by a qualified electrician.

This appliance is for use on a nominal 120-volt circuit and has a grounding plug that looks like the plug illustrated in sketch A below. Make sure that the appliance is connected to an outlet having the same configuration as the plug. No adapter should be used with this appliance.



USER MAINTENANCE INSTRUCTIONS

All service and repair should be performed by qualified vacuum service representative or electrician. No user serviceable components are employed in the electrical vacuum lid head assembly. No lubrication of the motor is required.

DAILY MAINTENANCE

1. Solution tank should be emptied after each use. Flush pumping system with 1 gallon of clean water after use.
2. Check and clean vacuum inlet and solution inlet strainer daily.
3. Removable recovery tank, page 7, item 30, should be rinsed clean daily.
4. Spray jet should be checked for correct spray pattern and cleaned if plugged. Do not clean out spray tip with pins or wire, this may cause damage to the jet spray pattern and cause streaking.
5. Protect equipment from freezing. Severe pumping system damage can occur if allowed to freeze.
6. Inspect vacuum hoses for tight connections. Check electrical cable for abrasion or cuts in jacket. Cord should be replaced if worn or damaged.

MONTHLY/BI-MONTHLY MAINTENANCE

The Solution Pump System should be purged monthly to remove alkaline residue build-up. To flush system out, use 1 quart of white vinegar to 1 1/2 gallons of clean hot water, followed by a clear 1 1/2 gallon rinse. Clean spray jets if required.

CORD STORAGE

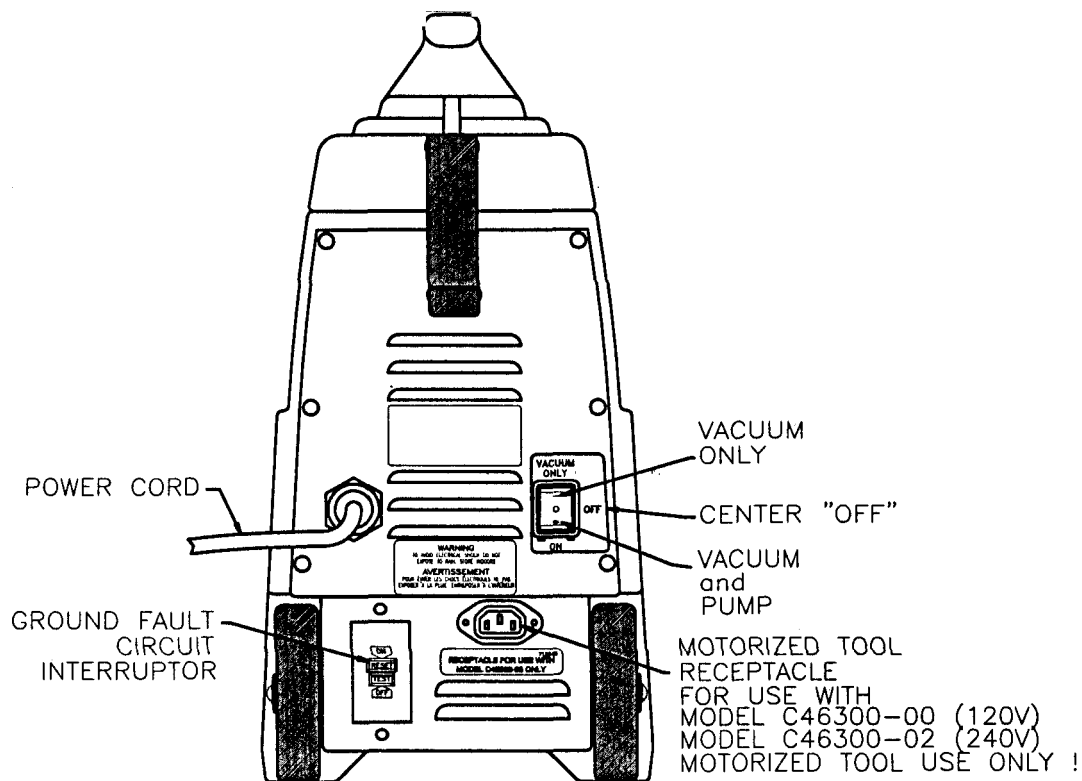
While not in use storage can be accomplished by winding cord around top of machine. Cord hooks are provided.

- Do not use with damaged cord or plug. If appliance is not working as it should, has been dropped, damaged, left outdoors, or dropped into water, return to service center.
- Do not pull or carry by cord, use cord as handle, close a door on cord, or pull cord around sharp edges or corners. Do not run appliance over cord. Keep cord away from heated surfaces.
- Do not unplug by pulling cord. To unplug, grasp the plug, not the cord.
- Do not handle plug or appliance with wet hands.

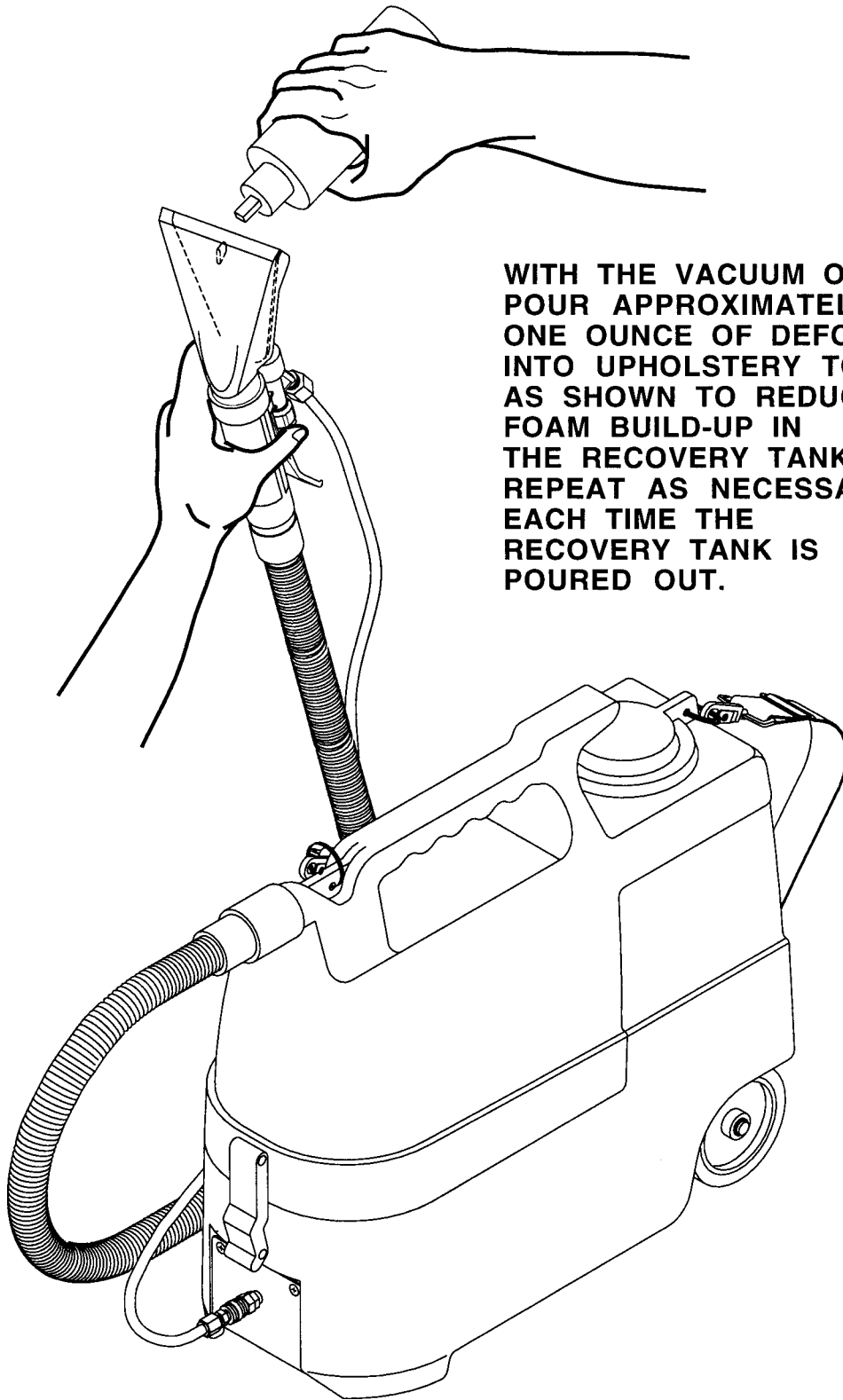
This equipment should be stored indoors and not exposed to rain.

OPERATING INSTRUCTIONS

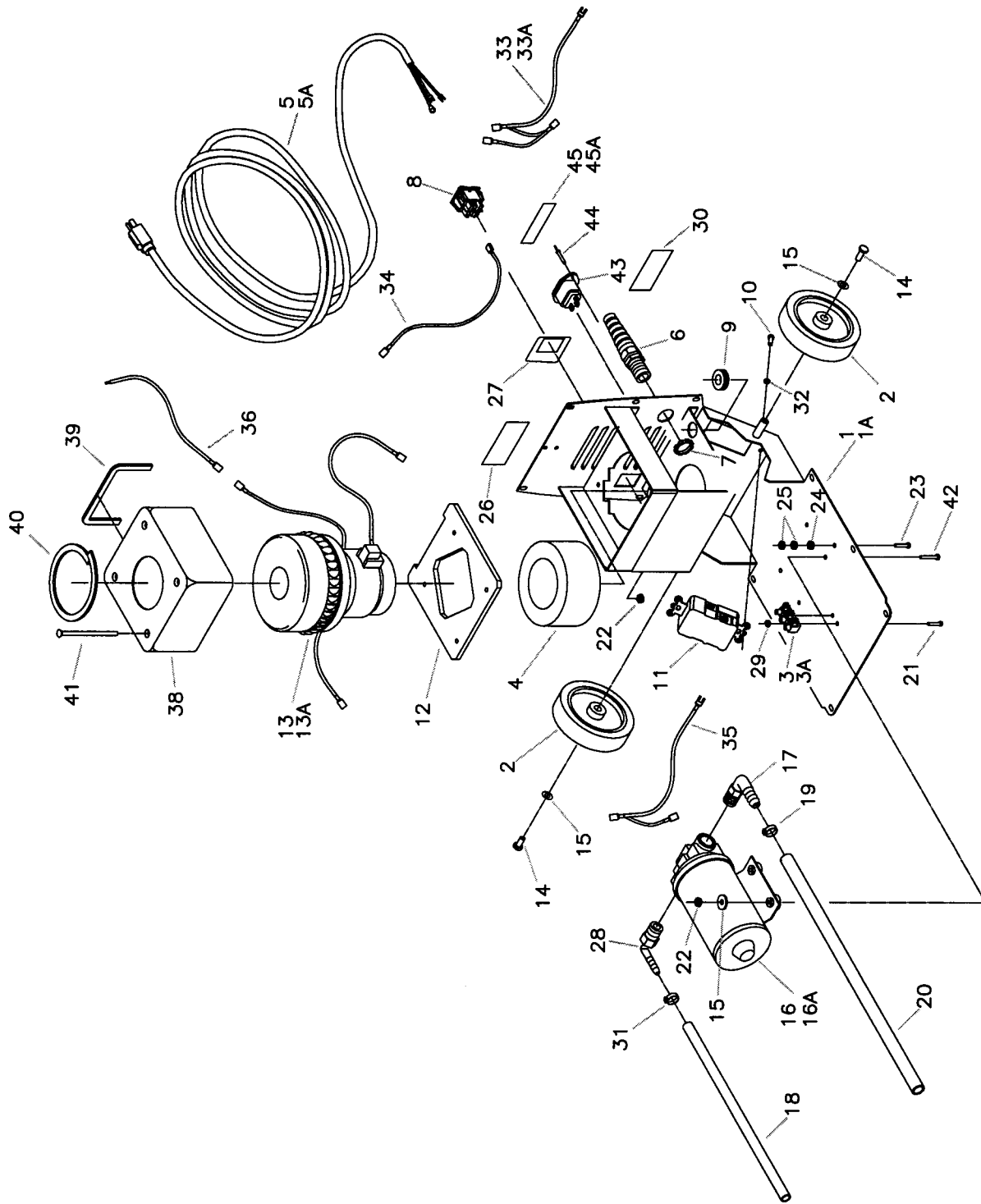
1. Lift the recovery tank of solution tank by releasing the two latches.
2. Add up to 1 1/2 gallons of hot water (maximum 140°F) to the solution tank. If chemicals are required, follow dilution ratios as specified on product label. Use only commercially available cleaning chemicals intended for use on carpet.
3. Place recovery tank back on solution tank and fasten the two latches.
4. Plug power cord into grounded wall outlet.
5. Connect the vac/solution hose assembly to machine.
6. This machine is equipped with a 3-position power switch. Ref. to figure below. The single bar position is for vacuum only - center position is off. Double bar position is for vacuum pump and motorized tool (120V and standard 230V). Turn on machine in the single bar position (CE version 230V only).
7. Always test upholstery for color fastness in a hidden area before beginning cleaning process.
8. **Warning:** This unit does not contain any automatic liquid shut-off devices in the vacuum recovery tank. Do not overfill. Always completely empty recovery tank before refilling solution tank. If foam or liquid comes out of ventilation openings turn off immediately. Remove recovery tank and run for 1 minute to flush all liquid from vacuum fan chamber.



BEFORE EACH USE OF THE CARPET SPOTTER:

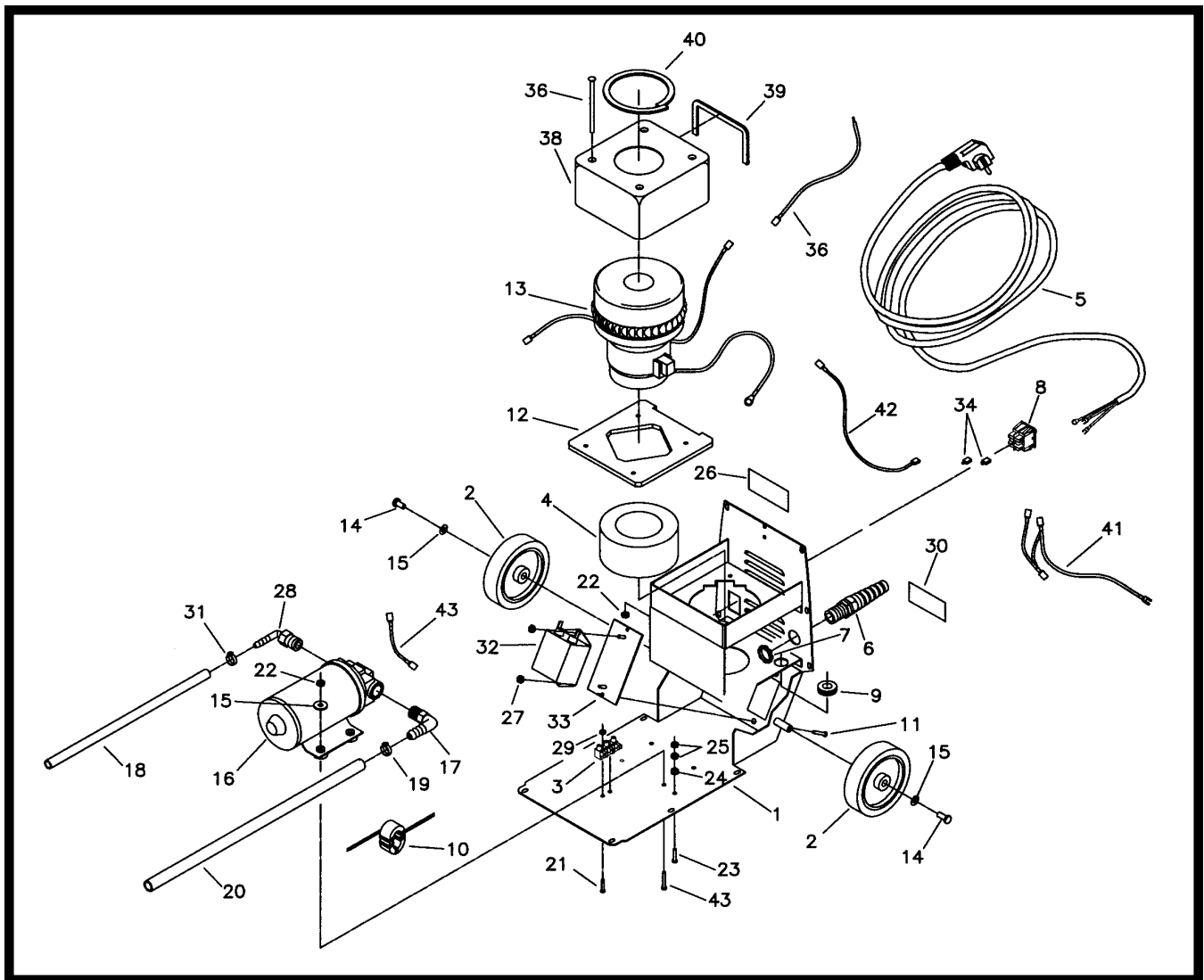


**WITH THE VACUUM ON.
POUR APPROXIMATELY
ONE OUNCE OF DEFOAMER
INTO UPHOLSTERY TOOL
AS SHOWN TO REDUCE
FOAM BUILD-UP IN
THE RECOVERY TANK.
REPEAT AS NECESSARY
EACH TIME THE
RECOVERY TANK IS
POURED OUT.**



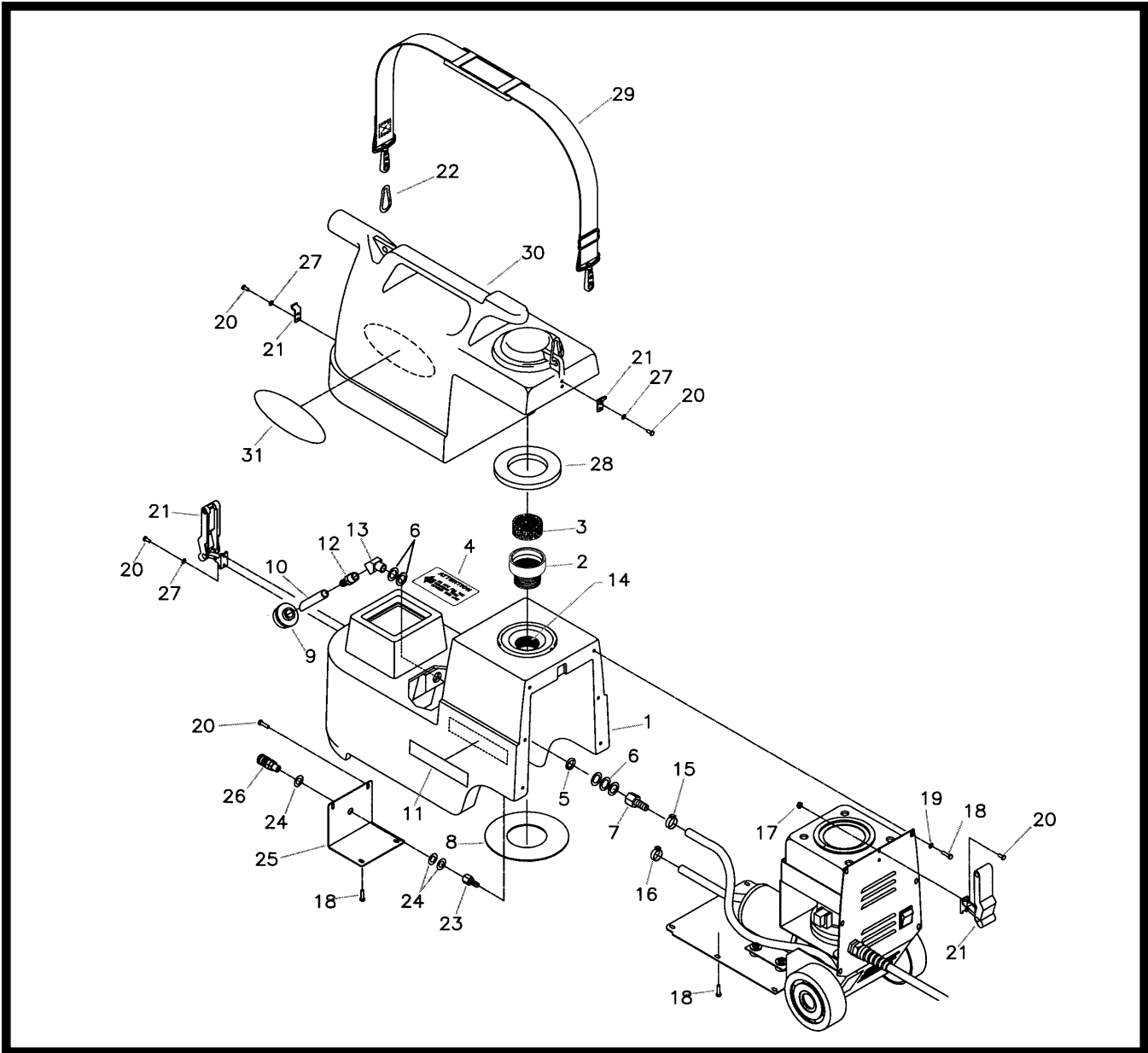
Parts Listing - 120V & 240V

ITEM	PART NO	QTY	DESCRIPTION
1	450213	1	Frame Weldment (120V)
1A	450235	1	Frame Weldment (230V)
2	450226	2	Wheel 4"
3	740726	1	Terminal Block 3-Position
3A	742101	1	Terminal Block 4-Position
4	380064	1	Foam Ring
5	740387	1	Cord 18-3, 25 FT, Spade Term
5A	742248	1	Cord Asm 230V Crptspr
6	150004	1	Heyco Strain Relief
7	711400	1	Nut-Pipe Lock 1/4 NPT
8	742102	1	Switch 2-Position
9	762299	2	Rubber Grommet
10	711104	2	SCR-ST B 10 x .37
11	740448	1	Ground Fault Interruptor 115V Only
12	450252	1	Bottom Gasket
13	742244	1	Vac Motor Assy. 115V
13A	742247	1	Vac Motor Assy. 230V
14	712560	2	SCR-MC 1/4-20 x .50 SS Nyloc
15	711504	6	WSR-Flat 1/4 SS
16	829757	1	Pump 50 PSI 115V
16A	742150	1	Pump 230V, Bypass
17	450040	1	Elbow PLT 3/8MPT x 3/8Barb
18	450228	1	Hose Output 1/4 ID x 15 CL
19	452037	1	Crimp Clamp 170R
20	450227	1	Hose Input 3/8 ID x 12 CL
21	710207	1	SCR-MC 6-32 x .87 ST PL
22	712638	8	Nut-Hex 10-24 SS Nyloc
23	712537	1	SCR-MC 10-24 x .75 SS
24	712908	1	Nut-Flanged Wizz 10-24
25	712905	2	Nut-Hex 10-24
26	715029	1	Decal - Serial Number
27	715179	1	Decal - Spotter Switch
28	450222	1	1/4 90° BARB x 3/8 MPT
29	711301	1	Nut-Hex 6-32
30	715009	1	Decal Warning
31	828490	1	Crimp Clamp 140R
32	712770	2	WSR-Int. Tooth 10
33	742240	1	Wire Assy. Violet 16 AWG 120V Only
33A	742250	1	Wire Assy. Violet 16 AWG 230V Only
34	742241	1	Wire Assy. Black 16 AWG
35	742242	1	Wire Assy. White 16 AWG 120V Only
36	742243	1	Wire Assy. White 16 AWG
37	740099	2	Wire Tie Small (not shown)
38	450251	1	Vac Motor Shroud
39	450253	1	Front Gasket
40	450247	1	Top Gasket
41	712543	4	SCR-MC 10-24 x 3.50 FH SS
42	712532	4	SCR-MC 10-24 x 1.00 SS
43	741038	1	Receptacle
44	410-4419AA	2	Pop Rivet
45	715340	1	Decal (120V)
45A	715341	1	Decal (240V)



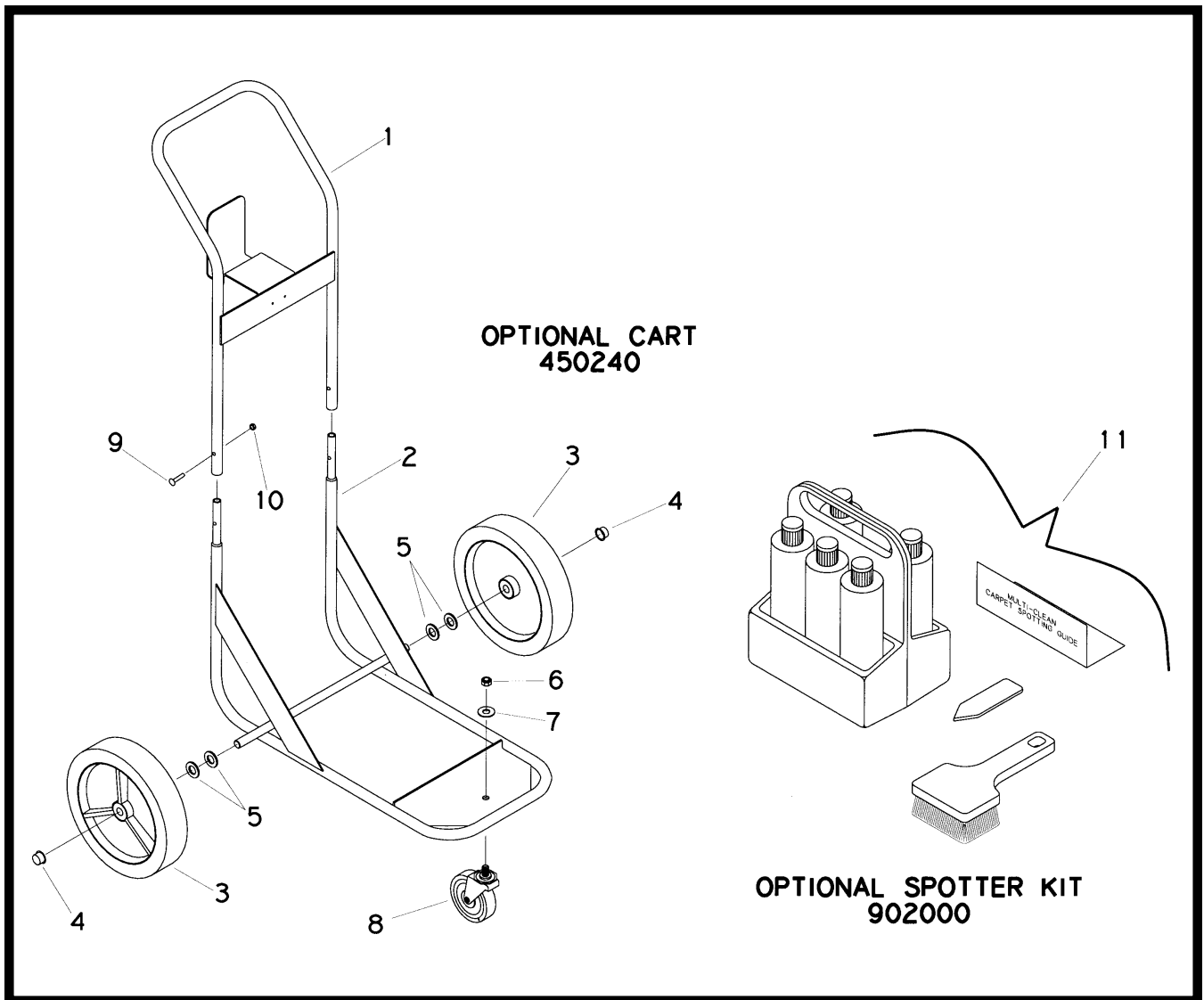
450220CE 230V European Parts Listing

ITEM	PART NO	QTY	DESCRIPTION	ITEM	PART NO	QTY	DESCRIPTION
1	450213CE	1	Frame Weldment	23	712537	1	SCR-MC 10-24 x .75 SS
2	450226	2	Wheel 4"	24	712908	1	Nut-Flanged Wizz 10-24
3	740726	1	Terminal Screw Tab	25	712905	2	Nut-Hex 10-24
4	380064	1	Foam Ring	26	715029	1	Decal - Serial Number
5	742381	1	Cord Set 25 ft. 1.0 m.m.	27	715179	2	Decal - Spotter Switch
6	150004	1	Heyco Stain Relief	28	450222	1	1/4 90° BARB x 3/8 MPT
7	711400	1	Nut-Pipe Lock 1/4 NPT	29	711301	1	Nut-Hex 6-32
8	742102	1	Switch 2 Position	30	715009	1	Decal Warning
9	762299	2	Rubber Grommet	31	828490	1	Crimp Clamp 140R
10	742292	1	Ambassador CE RFI Torrid	32	712770	1	EMI Filter
11	711124	2	SCR-ST B 10 x .37 NI	33	742240	1	EMI Filter Mounting Plate
12	450252	1	Bottom Gasket	34	742241	2	Terminal Insulated
13	742247	1	Vac Motor Assembly 230V	35	742242	4	SCR-MC 10-24 x 1.00 SS
14	712560	2	SCR-MC 1/4-20 x .50 SS Nyloc	36	742243	4	SCR-MC 10-24 x 3.50 FH SS
15	711504	6	WSR-Flat 1/4 SS	37	740099	2	Wire Tie Small (not shown)
16	742150	1	Pump 230V Bypass	38	450251	1	Vac Motor Shroud
17	450040	1	Elbow PLTMPT x 3/8 Barb	39	450253	1	Front Gasket
18	450228	1	Hose Output 1/4 ID x 15 CL	40	450247	1	Top Gasket
19	452037	1	Crimp Clamp 170R	41	712543	4	Wire Asy Violet 16G
20	450227	1	Hose Input 3/8 ID x 12 CL	42	712532	4	Wire Asy Black 16G
21	710207	1	SCR-MC 6-32 x .87 ST PL	43	741038	1	Wire Asy 16G White
22	712638	8	Nut-Hex 10-24 SS Nyloc	44	827666	2	Wire Asy 16G White



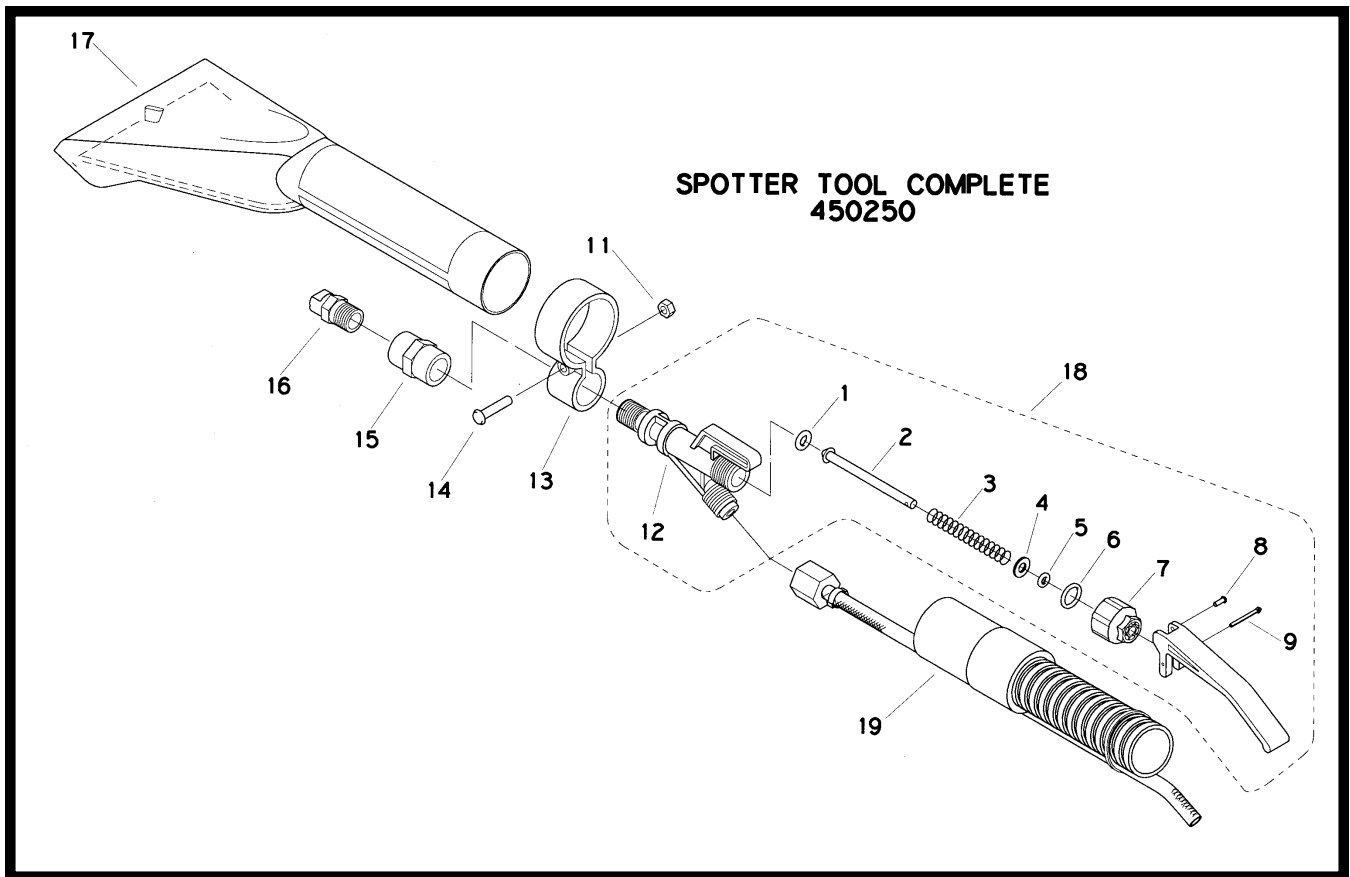
Parts Listing

ITEM	PART NO	QTY	DESCRIPTION	ITEM	PART NO	QTY	DESCRIPTION
1	450202MCH	1	Solution Tank Machined	17	712621	2	Nut-Keps 8-32 SS
2	450229	1	Filter Assembly	18	712540	14	SCR-MC 10-24 x 3/8 SS
3	450215	1	Vac Pre-filter	19	712770	6	WSR-Int Tooth 10
4	715180	1	Decal	20	710025	10	SCR-MC 8-32 x 3/8 SS
5	832326	1	O-Ring	21	450207	2	Latch
6	711594	3	WSR-Flat .56 x .88 x .03	22	430103	2	Spring Hook
7	833473	1	3/8 Hose BARB x 1/4 FPT	23	450225	1	1/4 BARB x 1/8 FPT Brass
8	260294	1	Gasket	24	712767	3	WSR-Flat .406 x .75 x .03
9	828974	1	Strainer		SS		
10	450216	1	Solution Hose	25	450205	1	Quick Disconnect Plate
11	715380	2	Decal, Minuteman	26	450221	1	Quick Connect 2202 Coupler
12	828952	1	3/8 BARB x 1/4 MPT PLS	27	711552	6	WSR-Int Tooth 8
13	833906	1	1/4 Street 45 Brass	28	450209	1	Gasket
14	000708	.03	RTV Sealant	29	450214	1	Strap
15	452037	1	Crimp Clamp 170R	30	450201	1	Recovery Tank
16	828490	1	Crimp Clamp 140R	31	715188	2	Decal, Gotcha!



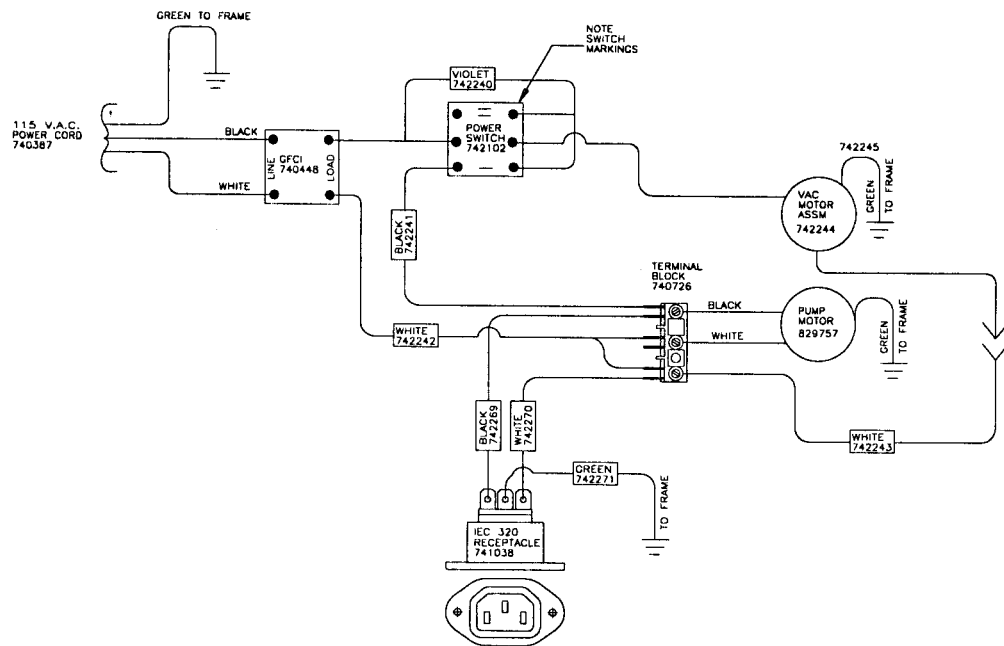
Parts Listing

ITEM	PART NO	QTY	DESCRIPTION
1	450238	1	Handle Weldment
2	450239	1	Frame Weldment
3	900040	2	Wheel
4	130032	2	Hub Cap
5	711579	4	WSR .56 x 1.0 x .09
6	711375	1	Nut 3/8-16 Nyloc
7	711508	1	WSR .44 x 1.0 x .09
8	280016	1	3" Caster
9	712546	2	SCR-MC 10-32 x 1.0 SS
10	711350	2	Nut 10-32 Nyloc
11	902000	1	Optional - Carpet Spotting Kit

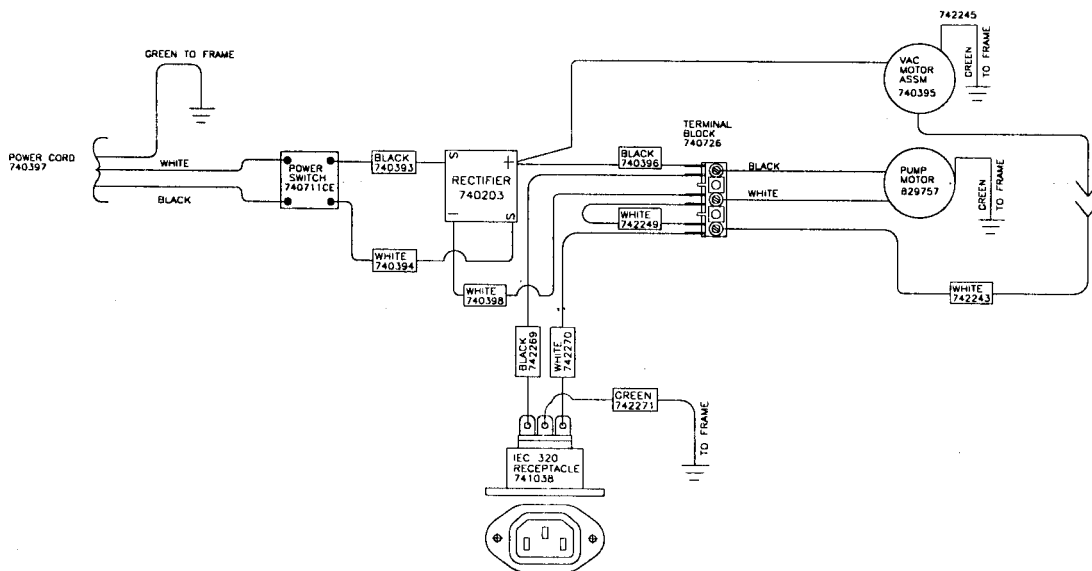


Parts Listing

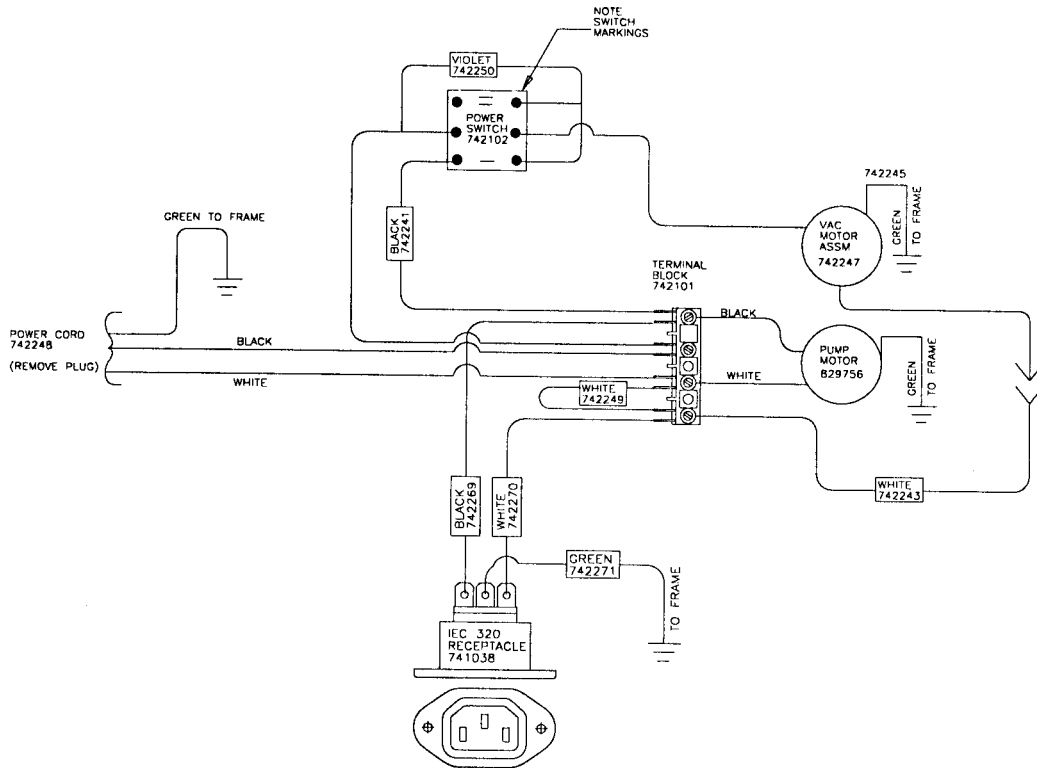
ITEM	PART NO	QTY	DESCRIPTION
1	390062	1	O-Ring, Valve Seat
2	390054	1	Valve Stem, Brass
3	390049	1	Spring
4	712320	1	WSR-Nylon .22 x .45 x .04
5	390061	1	O-Ring, Valve Stem
6	390060	1	O-Ring, Seal Valve
7	390055	1	Cap, Valve
8	390063	2	Pin
9	711803	1	Cotter Pin .06 x .75
10	390053	1	Trigger
11	712636	1	Nut, Hex 10-32 SS
12	390052	1	Body
13	390056	1	Mount
14	712545	1	SCR-MC 10-32 x .87 SS
15	390064	1	Coupling
16	450248	1	Spray Jet
17	390059	1	Nozzel
18	390066	1	Solution Valve Assy Comp
19	450249	1	Hose Assy Comp
	450210	1	Solution Hose, 9.5 Ft
	450211	1	Vacuum Hose Assy
	450218	1	1/4 FPT x 1/8 Barb Brass
	450219	1	Q-Connect Male 22-2 SS
	450223	1	1/8 Barb x 1/8 FPT Brass
	828062	6	Cable Tie Large
	830082	2	Hose Clamp 3/8



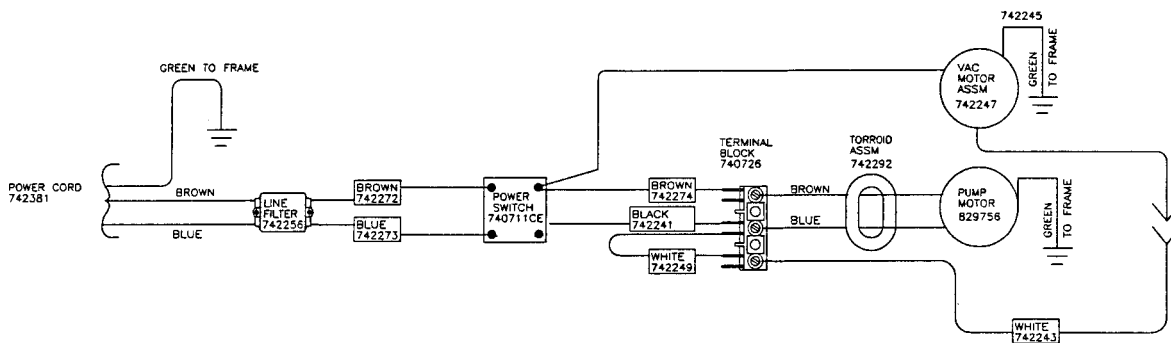
WIRING DIAGRAM 115 VOLT



WIRING DIAGRAM 115 VOLT 400HZ



WIRING DIAGRAM STANDARD 230 VOLT



WIRING DIAGRAM CE 230 VOLT

LIMITED WARRANTY

Minuteman International, Inc. warrants to the original purchaser/user that this product is free from defects in workmanship and materials under normal use and service for a period of one year from date of purchase. In addition, Minuteman International, Inc. will, at its option, honor labor warranty claims for the first 12 months from date of sale, provided such claims are submitted through and approved by factory authorized repair stations. Minuteman International, Inc. will, at its option, repair or replace without charge, except for transportation costs, parts that fail under normal use and service when operated and maintained in accordance with the applicable operation and instruction manuals.

This warranty does not apply to normal wear, or to items whose life is dependent on their use and care, such as belts, cords, switches, hoses, rubber parts, electrical motor components or adjustments. Parts not manufactured by Minuteman International, Inc. such as engines, batteries, battery chargers, hydraulic pumps, and tires are covered by and subject to the warranties and/or guarantees of their manufacturers. Please contact Minuteman International, Inc. for procedures in warranty claims against these manufacturers.

Special warning to purchaser — Use of replacement filters and/or prefilters not manufactured by Minuteman International, Inc. or its designated licensees, will void all warranties expressed or implied.

A potential health hazard exists without exact original equipment replacement.

All warranted items become the sole property of Minuteman International, Inc. or its original manufacturer, whichever the case may be.

Minuteman International, Inc. disclaims any implied warranty, including the warranty of merchantability and the warranty of fitness for a particular purpose. Minuteman International, Inc. assumes no responsibility for any special, incidental or consequential damages.

This limited warranty is applicable only in the U.S.A. and Canada, and is extended only to the original user/purchaser of this product. Customers outside the U.S.A. and Canada should contact their local distributor for export warranty policies. Minuteman International, Inc. is not responsible for costs or repairs performed by persons other than those specifically authorized by Minuteman International, Inc. This warranty does not apply to damage from transportation, alterations by unauthorized persons, misuse or abuse of the equipment, use of non-compatible chemicals, or damage to property, or loss of income due to malfunctions of the product.

If a difficulty develops with this machine, you should contact the dealer from whom it was purchased.

This warranty gives you specific legal rights, and you may have other rights which vary from state to state. Some states do not allow the exclusion or limitation of special, incidental or consequential damages, or limitations on how long an implied warranty lasts, so the above exclusions and limitations may not apply to you.

Minuteman[®]

World Headquarters
Minuteman International, Inc.
111 South Rohlwing Road
Addison, Illinois 60101

Minuteman Canada, Inc.
2210 Drew Road
Mississauga, Ontario
L5S 1B1

(630) 627-6900
FAX (630) 627-1130

(905) 673-3222
FAX (905) 673-5161

988610
Printed in U.S.A.