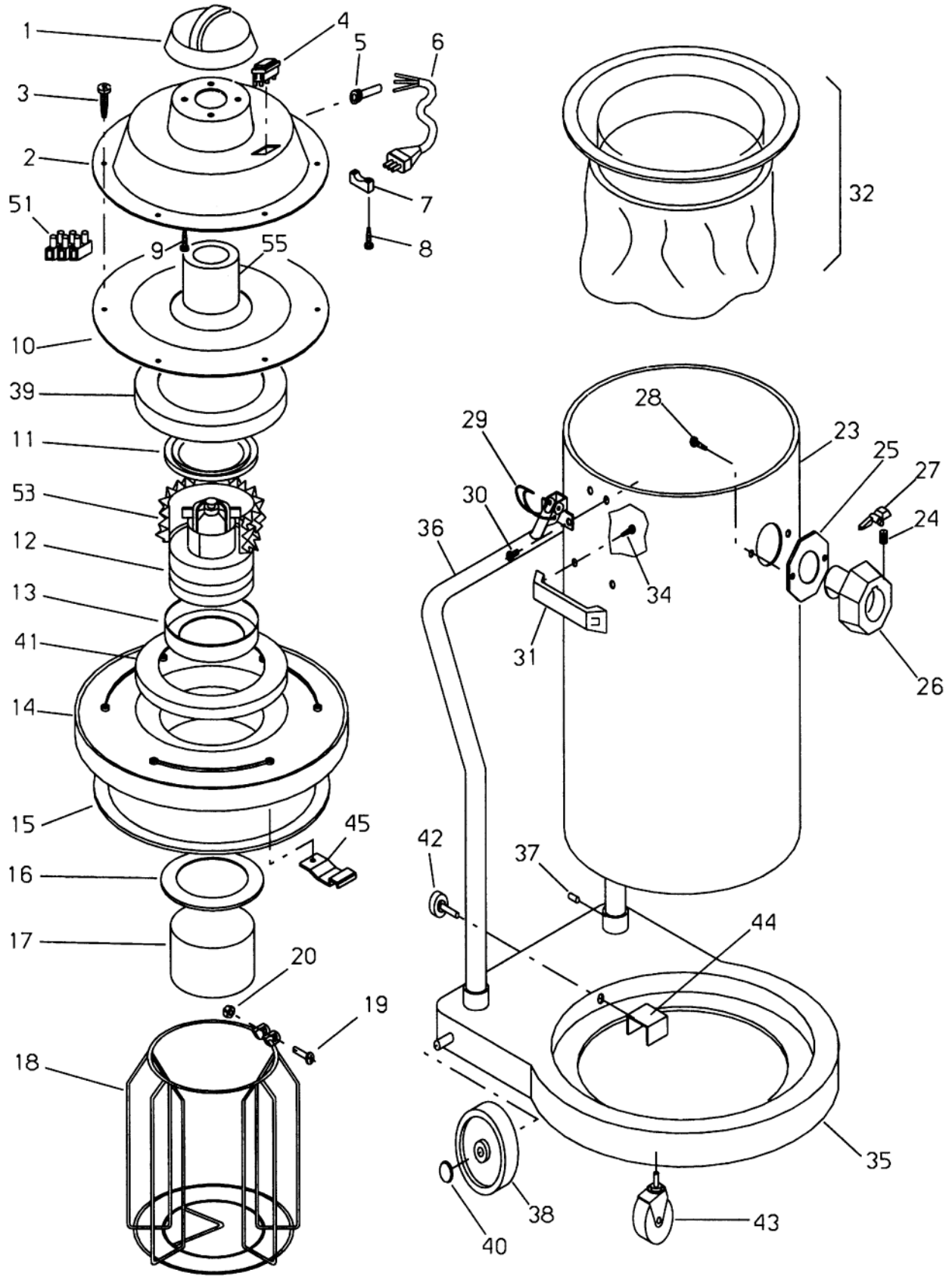


GULPER 12SS



GULPER 12SS PARTS LIST

ITEM	PART NO.	DESCRIPTION	QTY.
1	601540	Cover	1
2	602340	Cap, Motor	1
3	964020	Screw	8
4	608010	Switch	1
5	608511	Strain Relief	1
6	908020	Cord Assembly	1
7	602009	Clamp, Cord	1
8	964165	Screw	2
9	964025	Screw	4
10	600214	Adaptor	1
11	603414	Gasket	1
12	605210	Motor - Vacuum, 115V	1
	605211	Motor - Vacuum, 230V	1
	600903	Brush, Carbon for 605210 & 605211 (2 req'd/mtr)	2
13	603410	Gasket	1
14	600215	Adaptor, Lower Motor	1
15	603442	Gasket, Dome	1
16	603412	Gasket, Float	1
17	603312	Float	1
18	602413	Cage	1
19	964139	Screw	1
20	920628	Nut	1
23	608617	Tank, Vacuum	1
24	608303	Spring	1
25	603415	Gasket, Coupler	1
26	602409	Coupler	1
27	607001	Pawl	1
28	964143	Screw	2
29	602010	Clamp	2
30	930011	Rivet	4
31	603910	Handle	2
32	600530	Filter Bag Assembly	1
34	964026	Screw	4
35	601308	Base Carriage	1
36	603908	Handle, Transport	1
37	925005	Pin, Dowel	4
38	609713	Wheel	2
39	600216	Adaptor	1
40	601508	Cap, Wheel Shaft	2
41	600218	Adaptor, Lower Motor	1
42	605004	Knob	1
43	609714	Caster	2
44	600804	Bracket	1
45	600807	Bracket, Antistatic	1
51	911267	Terminal Board	1
53	604801	Insulation, Sound	1
55	608101	Sleeve, Motor Cooling Air	1