

GYRO 13

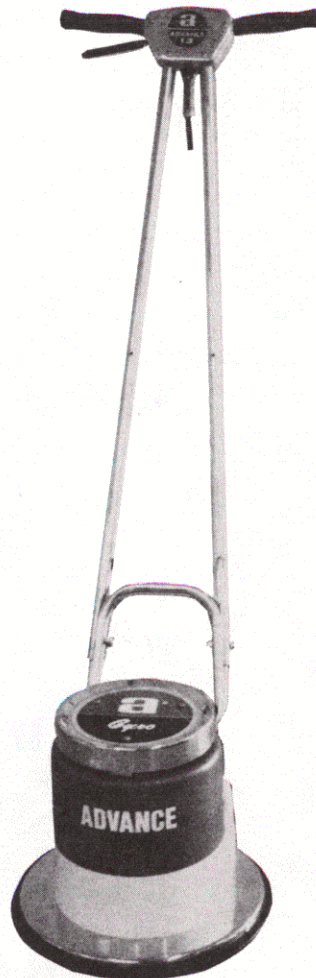
MODELS G13 115V

G13-5 230V

FORM NO 042038

APRIL 1980

PARTS LIST



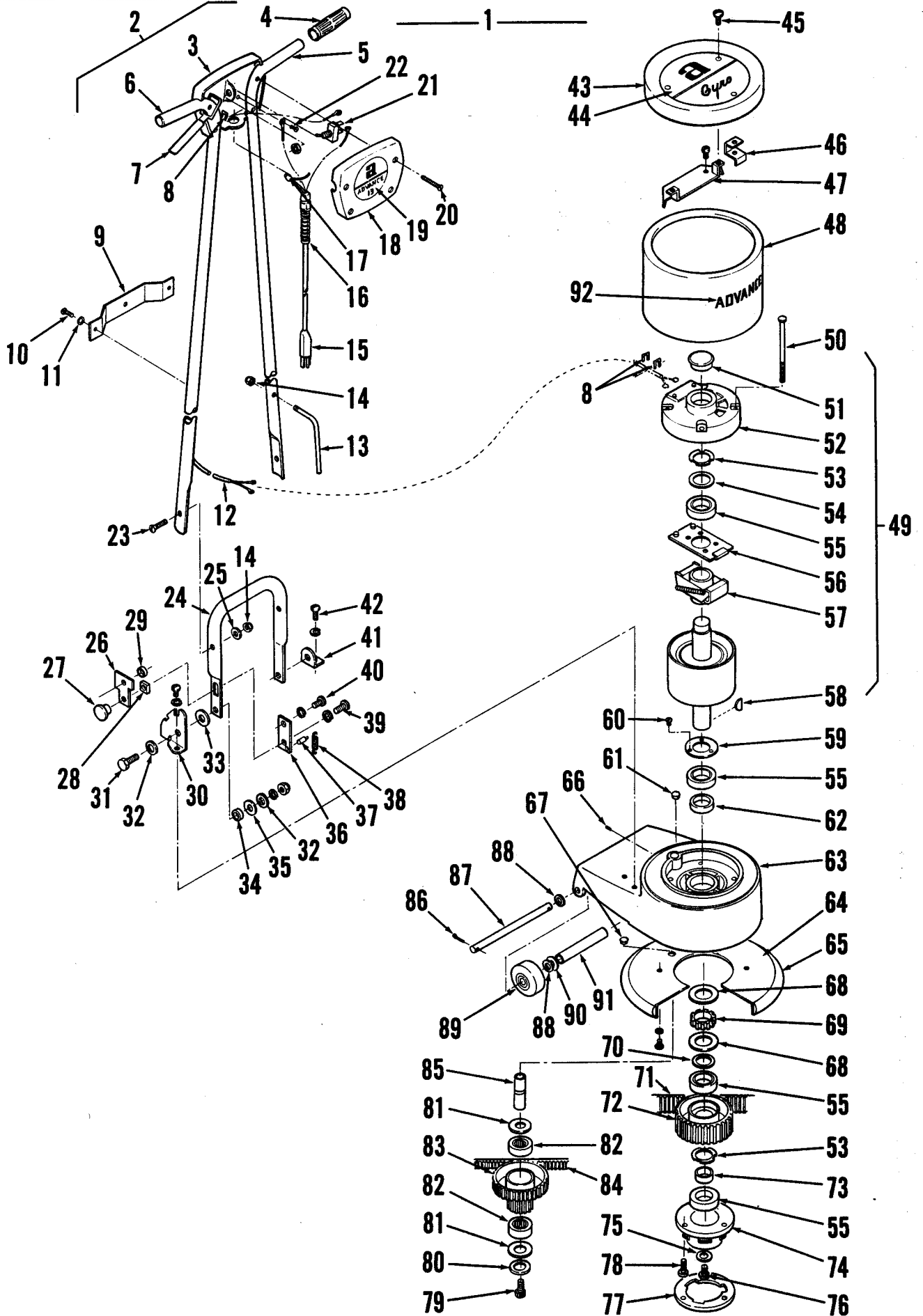
ADVANCE
MACHINE COMPANY

INTERNATIONAL HEADQUARTERS, Spring Park, Minnesota 55384 USA
EUROPE, 4 Rue Jean Engling, Dommeldange, Luxembourg
CANADA, 45 Iron Street, Rexdale, Ontario



INDEX FOR FORM NUMBER 042038

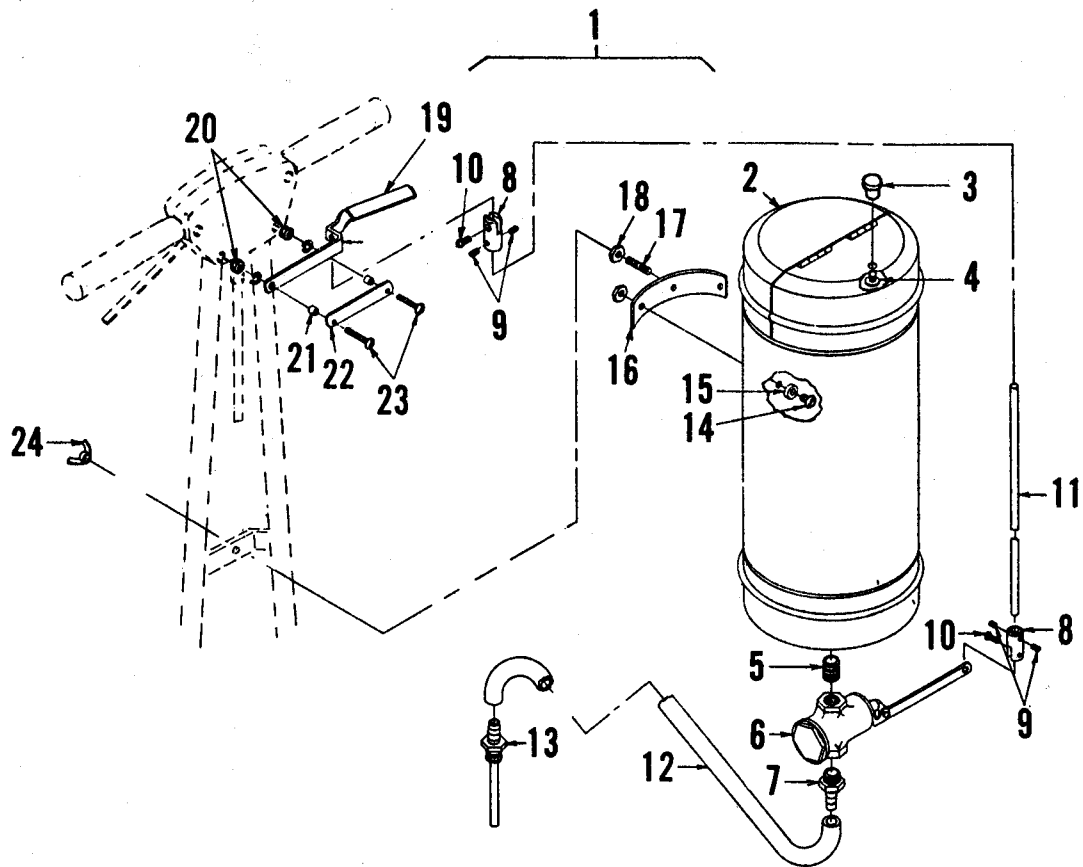
<u>Description</u>	<u>Location</u>	<u>Page</u>
Handle & Base	D1	1
Tank, Solution	D3	3



MAIN ASSEMBLY

MAIN ASSEMBLY

ITEM	PART NO	QTY	DESCRIPTION	ITEM	PART NO	QTY	DESCRIPTION
1	152 271	1	GYRO 13, 115V	47	512 028	1	BRACKET, Cover Rear
	152 275	1	GYRO 13-5, 230V	48	152 188	1	SHROUD, Motor
2	152 072	1	HANDLE ASSEMBLY (Items 2 thru 22)	49	512 362	1	MOTOR, 115V Assembly (Includes Items 49
3	152 331	1	HOUSING, Rear		512 400	1	MOTOR, 230V thru 57)
4	151 270	2	GRIP, Handle	50	152 082	4	STUD, Motor
5	150 932	1	TUBE	51	152 084	1	CAP, Dust
6	150 959	1	TUBE	52	151 442	1	END BELL
7	151 327	1	LEVER, Switch	53	320 153	2	SPRING, Load
8	162 981	3	STRAIN RELIEF	54	151 469	1	WASHER
9	150 207	1	BRACKET	55	372 773	4	BEARING
10		2	SCREW, #10-32 X .375 Rd. Hd.	56	151 483	1	SWITCH, Stationary
11		2	LOCKWASHER, #10 Spring	57	152 099	1	SWITCH, Centrifugal
12	151 344	1	CORD ASSEMBLY	58	151 718	1	KEY
13	151 262	1	HOOK, Cord	59	512 788	1	WASHER
14	150 975	1	NUT, Lock	60		3	SCREW, 8-32 X .375 Pan Hd.
15	511 781	1	CORD SET	61	153 648	1	PLUG, Button
16	151 947	1	STRAIN RELIEF	62	512 974	1	BUSHING
17	321 737	1	CONNECTOR, Wire	63	152 137	1	HOUSING, Drive
18	152 277	1	COVER	64	152 140	1	HOUSING, Brush
19	014 780	1	DECAL, Advance	65	511 005	1	BUMPER
20		4	SCREW, 10-24 X 1.50 Rd. Hd.	66		1	SCREW, Set 1/4-20 X .312 Socket
21	151 319	1	SWITCH, Toggle	67	152 323	1	PLUG
22		1	SCREW, 10-24 X .437 Rd. Hd.	68	512 702	2	WASHER
23		2	SCREW, 1/4-20 X 1.125 Rd. Hd.	69	512 621	1	PULLEY, Motor
24	150 916	1	HANDLE, Fork	70	513 059	1	WASHER
25	150 142	6	WASHER	71	151 912	1	BELT
26	151 009	1	LATCH	72	512 524	1	PULLEY, Main Drive
27	151 017	1	KNOB	73	512 869	1	BUSHING
28	151 084	1	BUSHING	74	151 874	1	CAP, Drive
29	151 092	1	BUSHING	75	151 807	1	WASHER
30	150 983	1	PLATE, Latch	76	151 785	1	SCREW
31		2	SCREW, 1/4-20 X .75 w/Nut & Lkw. Hex Hd.	77	163 341	1	PLATE, Brush
32	151 114	4	WASHER	78		3	SCREW, 10-24 X .625 Fill. Hd.
33	151 068	2	WASHER, Fibre	79		1	SCREW, 10-24 X .375 Socket Hd.
34	151 106	2	BUSHING	80	150 118	1	WASHER, Idler Shaft
35	151 041	2	WASHER, Spring	81	151 858	2	BEARING, Thrust
36	151 076	1	PLATE, Latch	82	151 831	2	BEARING, Idler
37	151 122	2	PIN, Groove	83	151 505	1	PULLEY ASSEMBLY
38	151 130	1	SPRING, Latch	84	151 939	1	BELT
39		1	SCREW, 10-24 X .75 w/Lkw. Rd. Hd.	85	150 096	1	SHAFT, Idler
40		1	SCREW, 10-24 X .50 w/Lkw. Rd. Hd.	86		2	PIN, Cotter 1/16 X .375
41	151 025	1	HINGE, Plate	87	150 126	1	AXLE
42		4	SCREW, 1/4-20 X .50 w/Lkw. Pan Hd.	88	150 142	6	WASHER
43	152 153	1	COVER, Motor	89	322 156	2	WHEEL
44	014 842	1	DECAL, Motor Cover	90	150 150	2	WASHER, Spring
45		6	SCREW, 8-32 X .375 Pan Hd.	91	150 134	1	TUBE, Axle
46	512 230	1	BRACKET, Cover Front	92	014 532	1	DECAL, Advance



ITEM	PART NO	QTY	DESCRIPTION
1	150 177	1	SOLUTION TANK ASSEMBLY w/VALVE
2	150 169	1	SOLUTION TANK
3	151 017	1	KNOB
4		1	SCREW, 10-24 X .25 Pan Hd.
5	150 223	1	NIPPLE, Close 1/4
6	150 215	1	VALVE, Solution
7	155 640	1	INSERT, Barbed
8	150 290	2	COUPLER, Cable
9		4	SCREW, Socket 10-24 X .187
10		2	SCREW, 6-32 X .50 Oval Hd.
11	150 185	30"	CABLE, Control
12	150 231	12"	TUBE
13	150 282	1	PIPE, Water
14		2	SCREW, 1/4-20 X .50 w/Nut Rd. Hd.
15	204 218	2	WASHER, Sealing
16	150 193	1	PLATE, Mounting
17	150 274	1	BOLT, Stud 1/4"
18		1	NUT, 1/4-20 Mach. Hex
19	150 266	1	HANDLE
20		2	NUT, 10-24 Hex
21	151 092	2	BUSHING
22	150 258	1	STOP, Handle
23		2	SCREW, 10-24 X 1.75 w/Lkw. Rd. Hd.
24		1	NUT, Wing 1/4-20