

Mercury Floor Machines, Inc New Equipment Warranty

Limited Warranty

Mercury Floor Machines, Inc. warrants new equipment against defects in material and workmanship under normal use and service to the original purchaser, and that the autoscrubber complies with the technical specifications; Any statutory implied warranties, including any warranty of merchantability or fitness for a particular purpose, are expressly limited to the duration of this written warranty. Mercury Floor Machines, Inc. will not be liable for any other damages, including but not limited to indirect or special consequential damages arising out of or in connection with the furnishing, performance, use or inability to use the machine. This remedy shall be the exclusive remedy of the purchaser. The warranty period is subject to the conditions stated below.

3 Years - Motors, Pumps and Electric Components. 1 Year- Service Labor

Mercury Floor Machines Inc. warrants pumps, electric motors, electric component and transmissions on all Mercury autoscrubbers to be free from defects in material and workmanship, under normal use and service for three (3) years to the original purchaser. Parts replaced or repaired under this warranty are warranted for the remainder of the original warranty period. Service labor charges are covered for one (1) year from the date of purchase, when performed by a Mercury authorized-service provider. Freight charges to and from this service providers will be covered for 90 days from the purchase date. After this 90 day period, these freight charges will be paid by the equipment owner. Travel expenses are not covered.

Normal wear items such as belts, brushes, bumpers, capacitors, carbon brushes, casters, clutches, cords, finishes, gaskets, rectifiers, switches, squeegees, bearings, pulleys, relays, actuating cables, wheels, and tires will be warranted for manufacturing defects for 90-days from the purchase date.

Warranties on batteries are serviced by the battery manufacturer.

All warranties of motors and associated components will be voided; if the autoscrubber is serviced by anyone other than a Mercury-authorized service provider; if the machine is mechanically modified; if the machine is misused or abused; if incorrect repair parts are used in maintaining the machine, or if the autoscrubber is incorrectly connected to a battery set, or if the battery set is incorrectly connected to the charging system.

The warranty starts on the purchase date by the original purchaser from an authorized Mercury Floor Machines, Inc. distributor, subject to proof of purchase. The Machine Registration Card must be completed and returned immediately at the time of purchase. If proof of purchase cannot be identified, the warranty start date is 90 days after the date of sale to an authorized Mercury Floor Machines, Inc. distributor.



110 South Van Brunt Street
Englewood, NJ 07631
Phone (201) 568-4606
Toll Free (888) 568-4606
FAX (201) 568-7962
www.mercuryfloormachines.com



MEMBER
SINCE 1958

MERCURY HD-26

26" Dual-Brush Autoscrubber

The DS-26 is the NEW, 26 inch, battery-powered, dual-brush, walk-behind autoscrubber from **MERCURY Floor Machines, Inc.**

Strong, welded chassis holds modular components - switch boxes, pumps, tanks, scrub heads, pump sets and drive motors

Easy to learn operating controls for the novice user

Solution tank fills through filter protected opening in cover

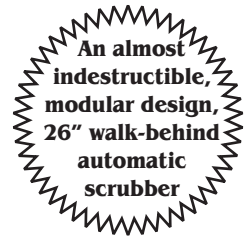
Lift the modular vacuum unit for easy battery access

Tip-forward hood and lift modular vacuum unit for easy access to (2) 12 V battery set

Compact design gives excellent visibility to scrubbing areas

Variable brush down-pressure / easily adjusts for lightest to most aggressive scrubbing

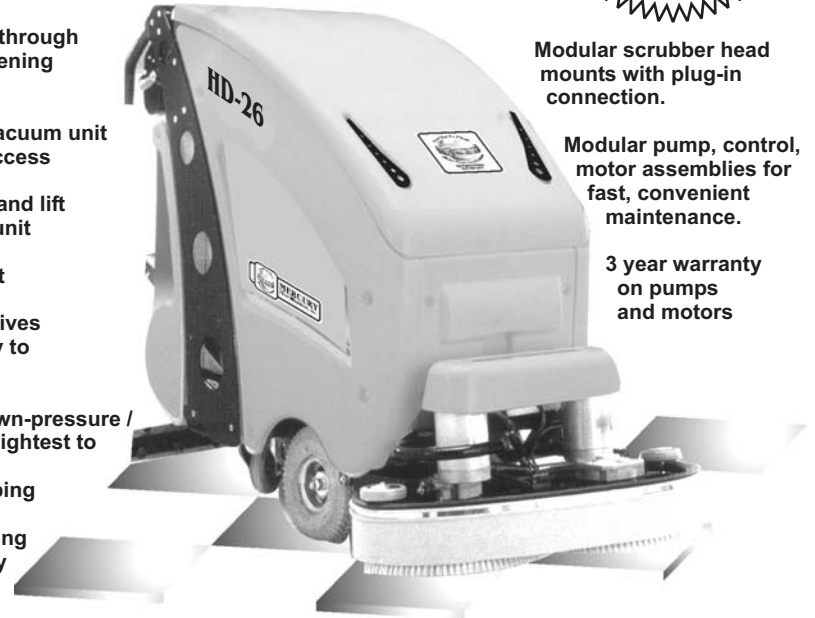
**Fast brush mounting
Offset brush / easy scrubbing close to walls**



Modular scrubber head mounts with plug-in connection.

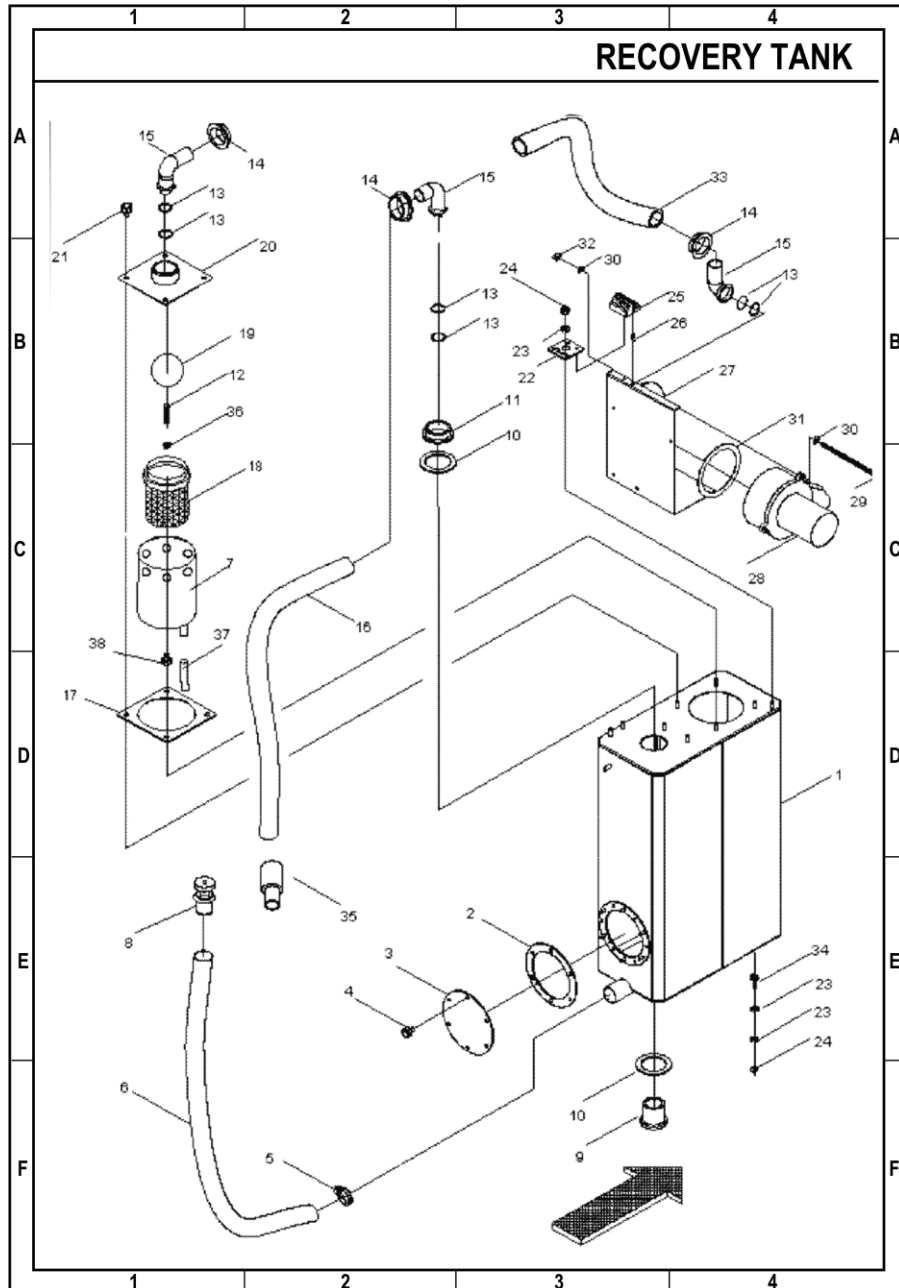
Modular pump, control, motor assemblies for fast, convenient maintenance.

3 year warranty on pumps and motors



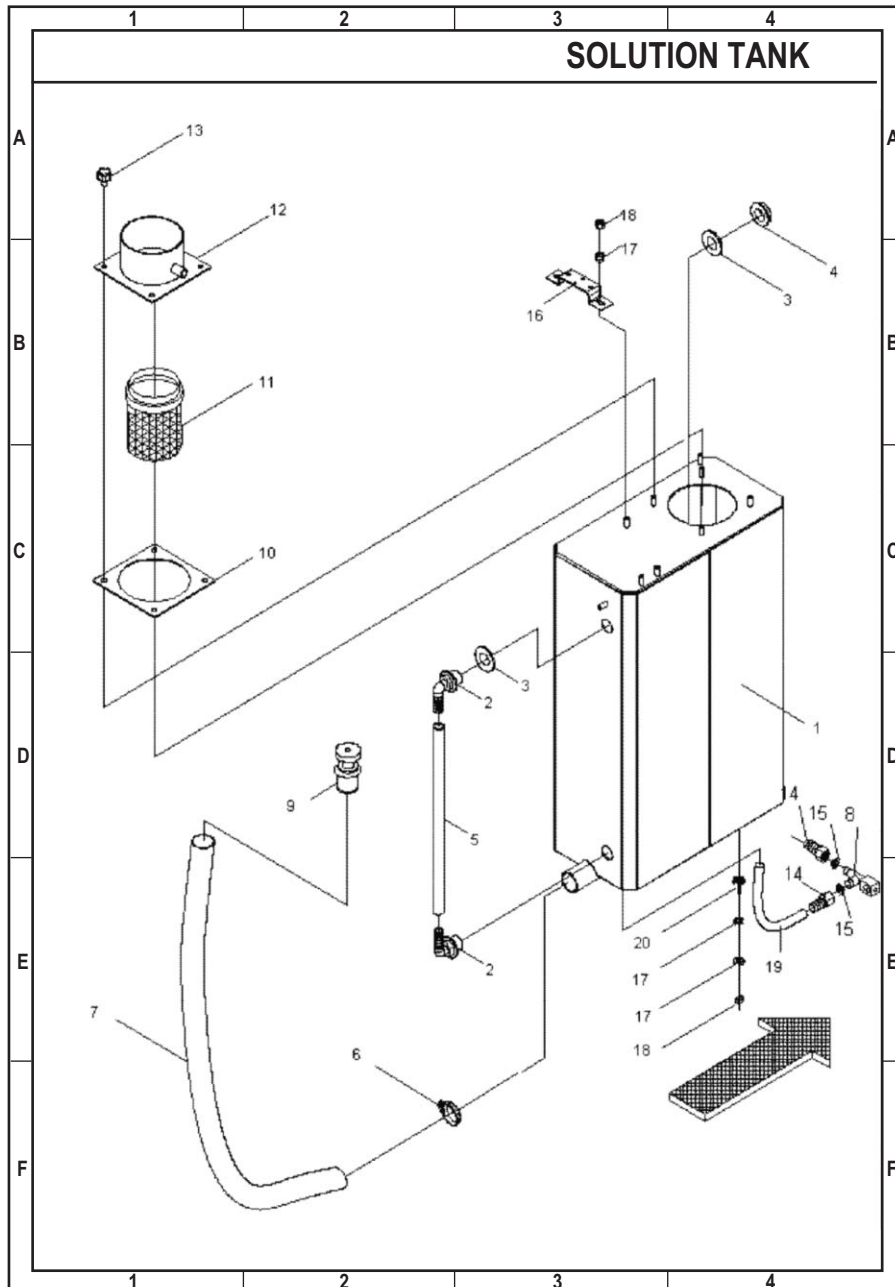
| MERCURY HD-26 | |
|----------------------------|-------------------------------------|
| Scrub Path | 25.5" (65 cm) |
| Squeegee Width | 35.5" (90 cm) |
| Productivity | 43 msf / hour (4000 sq meter / hr) |
| Solution / Recovery Tank | 13.2 gal (50 L) / 13.2 gal (50 L) |
| Tank construction | Stainless steel |
| Brush size | (2) 13" disk (33 cm) block diameter |
| Brush motor | (2) 250 watt |
| Brush pressure | 0-110 lbs (0-50 kg) |
| Traction motor | 0.55 HP (400 watt) |
| Traction tire size | 7.8 in x 2 in wide (20 cm x 5 cm) |
| Vacuum motor | 0.75 HP |
| Battery | 24 DCV / 210 Amp |
| Weight (without batteries) | 462 lbs (210 kg) |
| Warranty | 3 years |

RECOVERY TANK

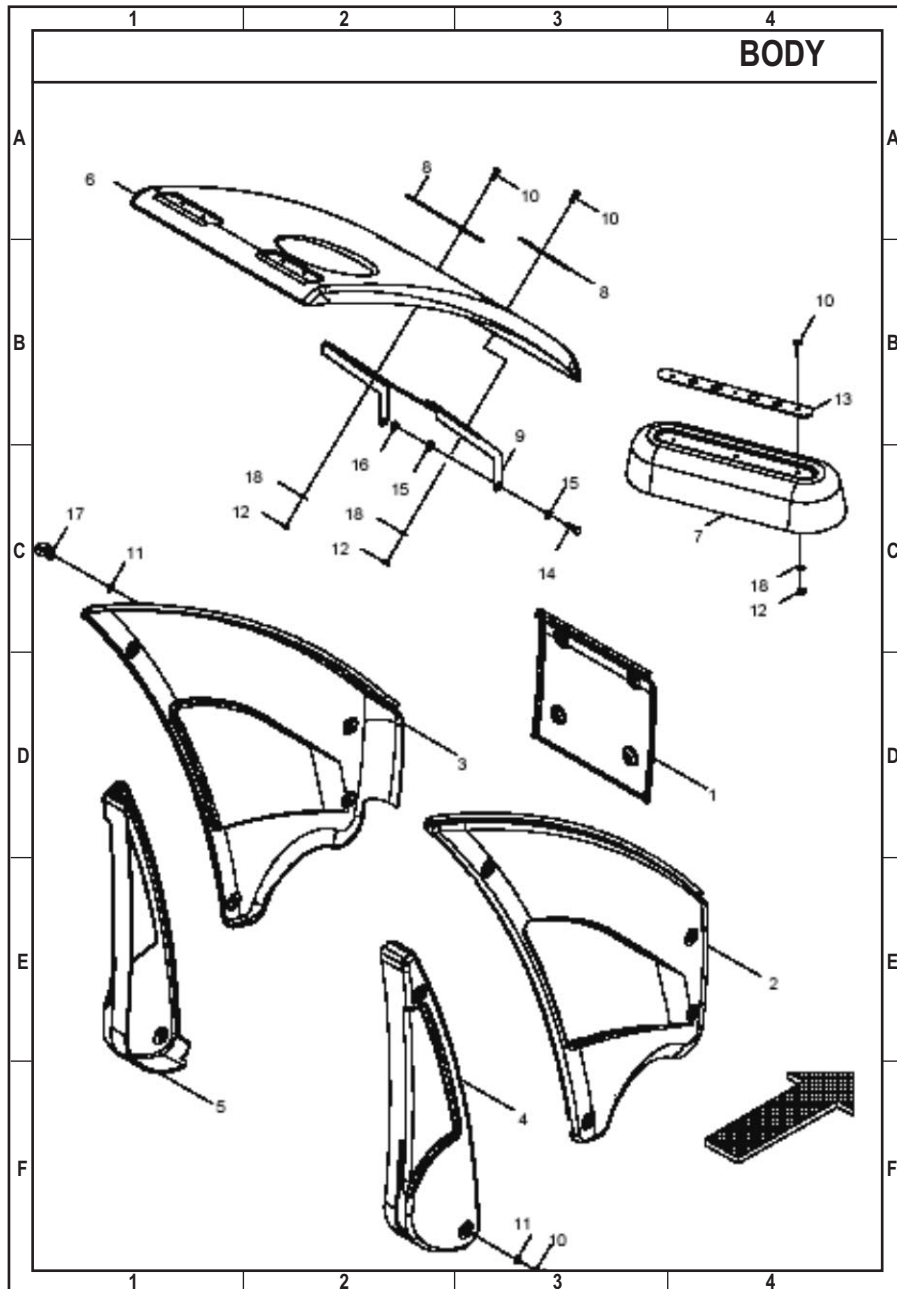


| ITEM # | DESCRIPTION | PART # | # REQUIRED |
|--------|--------------------------|--------------|------------|
| 1 | RECOVERY TANK | 3551-0010-0D | 1 |
| 2 | GASKET, JOINT | 2705-0012-1 | 1 |
| 3 | COVER | 2501-0001-0 | 1 |
| 4 | M6 HANDWHEEL | 10-6203-000 | 6 |
| 5 | CLAMP | 10-5000-020 | 1 |
| 6 | EXTRACT HOSE | 2665-0021-0 | 1 |
| 7 | FLANGE | 3315-0001-0 | 1 |
| 8 | COVER | 4565-0000-0 | 1 |
| 9 | DRAIN OUTLET | 15-3301-001 | 1 |
| 10 | GASKET, JOINT | 15-3000-001 | 2 |
| 11 | RING NUT | 15-3351-001 | 1 |
| 12 | M6X45 SCREW | 10-0003-151 | 1 |
| 13 | O-RING | 15-3010-001 | 6 |
| 14 | FLY NUT | 15-3351-003 | 3 |
| 15 | 90° CONNECTOR | 15-3311-002 | 3 |
| 16 | EXTRACT HOSE | 2665-0022-0 | 1 |
| 17 | GASKET JOINT | 2705-0011-0 | 1 |
| 18 | FILTER | 15-3100-001 | 1 |
| 19 | FLOAT | 15-3200-000 | 1 |
| 20 | SUPPORT | 3135-0001-1 | 1 |
| 21 | M8 HANDWHEEL | 10-6204-000 | 4 |
| 22 | SUPPORT | 2130-0120-1A | 1 |
| 23 | 08 LEVEL WASHER | 10-2023-000 | 2 |
| 24 | M8 LOCK NIT | 10-1104-000 | 2 |
| 25 | PLASTIC HINGE | 10-7011-000 | 1 |
| 26 | M6X10 SCREW | 10-0403-050 | 2 |
| 27 | SUPPORT | 3135-0002-1 | 1 |
| 28 | 24V 3 SPEED VACUUM MOTOR | 13-1101-002 | 1 |
| 29 | M6X10 SCREW | 10-0003-260 | 3 |
| 30 | 06 KEVEK WASGER | 10-2018-000 | 6 |
| 31 | JOINT | 15-3020-000 | 1 |
| 32 | LOCK NUT | 10-1103-000 | 3 |
| 33 | EXTRACT HOSE | 2665-0023-0 | 1 |
| 34 | M 8 X 20 SCREW | 10-0004-100 | 1 |
| 35 | SLEEVE | 15-3340-001 | 1 |
| 36 | 06 INOX LOCK WASHER | 10-2118-001 | 1 |
| 37 | HOSE | 2665-0062-0 | 1 |
| 38 | M6 HANDWHEEL | 10-6203-001 | 1 |

SOLUTION TANK



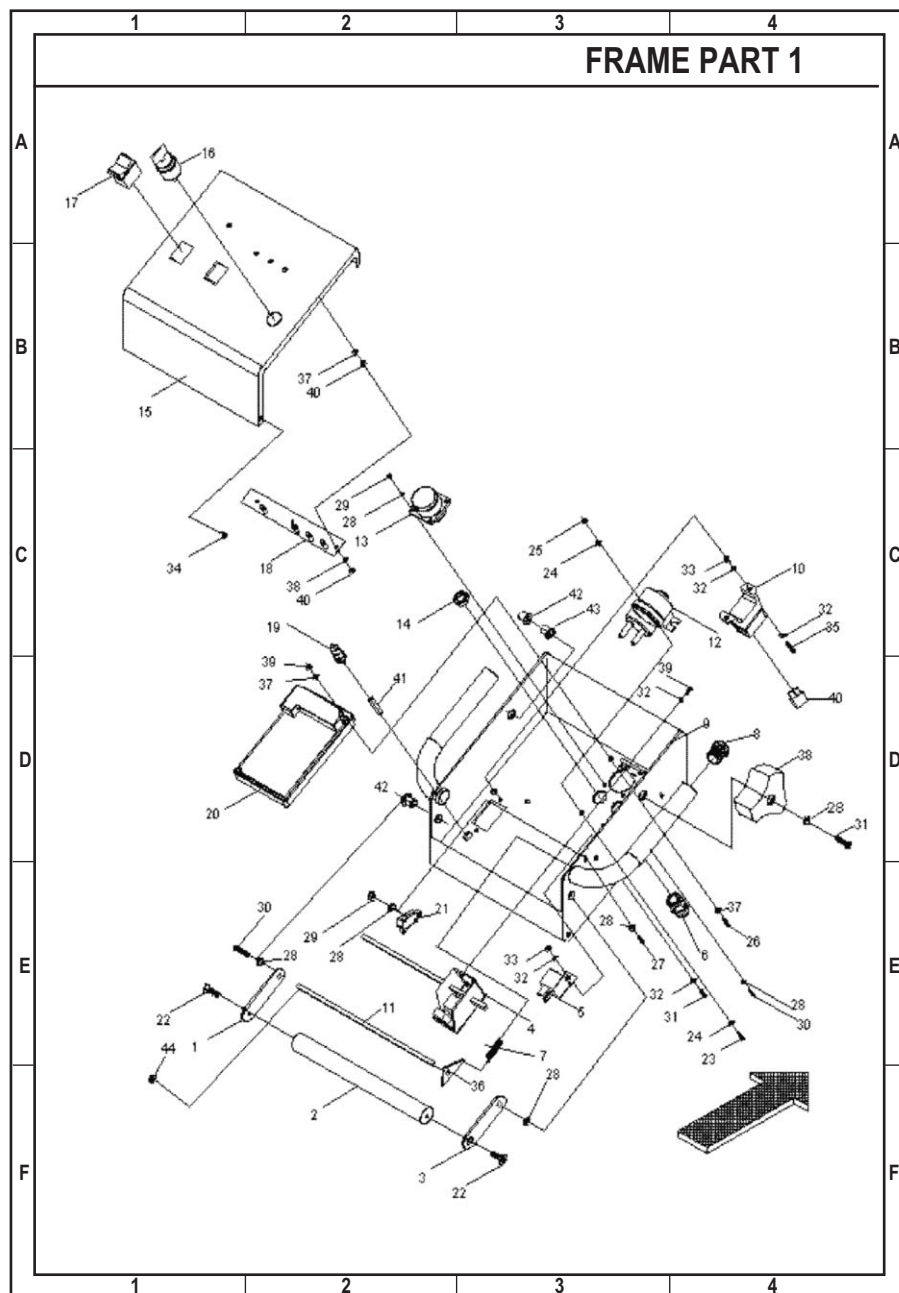
| ITEM # | DESCRIPTION | PART # | # REQUIRED |
|--------|-------------------------|--------------|------------|
| 1 | DETERGENT SOLUTION TANK | 3551-0009-0 | 1 |
| 2 | 90° CONNECTOR | 15-3311-000 | 2 |
| 3 | GASKET, JOINT | 15-3000-004 | 4 |
| 4 | RING NUT | 15-3351-005 | 2 |
| 5 | EXTRACT HOSE | 2665-0028-0 | 1 |
| 6 | CLAMP | 10-5000-020 | 1 |
| 7 | EXTRACT HOSE | 2665-0021-0 | 1 |
| 8 | 24V SOLANOID | 15-3511-001 | 1 |
| 9 | COVER | 4565-0000-0 | 1 |
| 10 | GASKET JOINT | 2705-0011-0 | 1 |
| 11 | FILTER | 15-3100-001 | 1 |
| 12 | SUPPORT | 3135-0007-0 | 1 |
| 13 | M8 HANDWHEEL | 10-6204-000 | 4 |
| 14 | CONNECTOR | 15-3361-000 | 2 |
| 15 | GASKET, JOINT | 15-3000-005 | 2 |
| 16 | SUPPORT | 2130-0130-0A | 1 |
| 17 | 08 LEVEL WASHER | 10-2023-000 | 4 |
| 18 | M8 LOCK NIT | 10-1104-000 | 2 |
| 19 | HOSE | 2665-0058-0 | 1 |
| 20 | M 8 X 20 SCREW | 10-0004-100 | 1 |



BODY

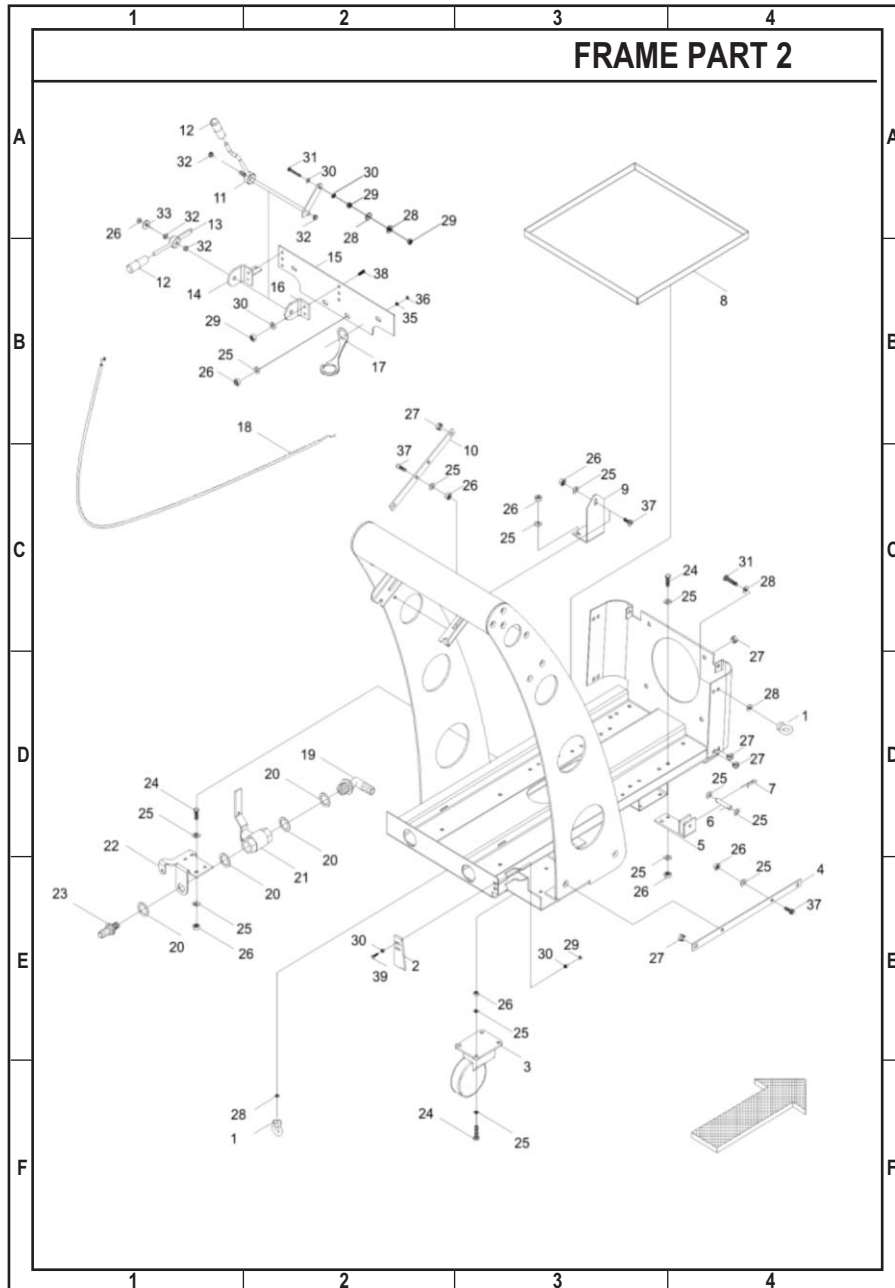
| ITEM # | DESCRIPTION | PART # | # REQUIRED |
|--------|----------------------|--------------|------------|
| 1 | FRONT PANEL | 2365-0016-0A | 1 |
| 2 | FRONT PANEL | 2365-0020-0A | 1 |
| 3 | FRONT PANEL | 2365-0021-0A | 1 |
| 4 | BACK PANEL | 2365-0025-0A | 1 |
| 5 | BACK PANEL | 2365-0026-0A | 1 |
| 6 | BONNET | 2365-0010-0A | 1 |
| 7 | MOTOR COVER | 2365-0008-0A | 1 |
| 8 | SUPPORT | 2161-0000-0A | 2 |
| 9 | SUPPORT | 2130-0130-0A | 1 |
| 10 | KOMBI M 6 X 20 SCREW | 10-0503-102 | 22 |
| 11 | Ø6 X 18 LEVEL WASHER | 10-2018-001 | 16 |
| 12 | LOCK NUT | 10-1103-000 | 8 |
| 13 | LOCKING FRAME | 8300-0009-0 | 1 |
| 14 | M 8 X 20 SCREW | 10-0004-100 | 2 |
| 15 | Ø8 LEVEL WASHER | 10-2023-000 | 46 |
| 16 | M8 LOCK NIT | 10-1104-000 | 2 |
| 17 | M6 EYEBOLT | 10-6100-000 | 2 |
| 18 | Ø6 LEVEL WASHER | 10-2018-000 | 8 |
| 19 | SPRING | 2820-0004-0Y | 2 |

FRAME PART 1



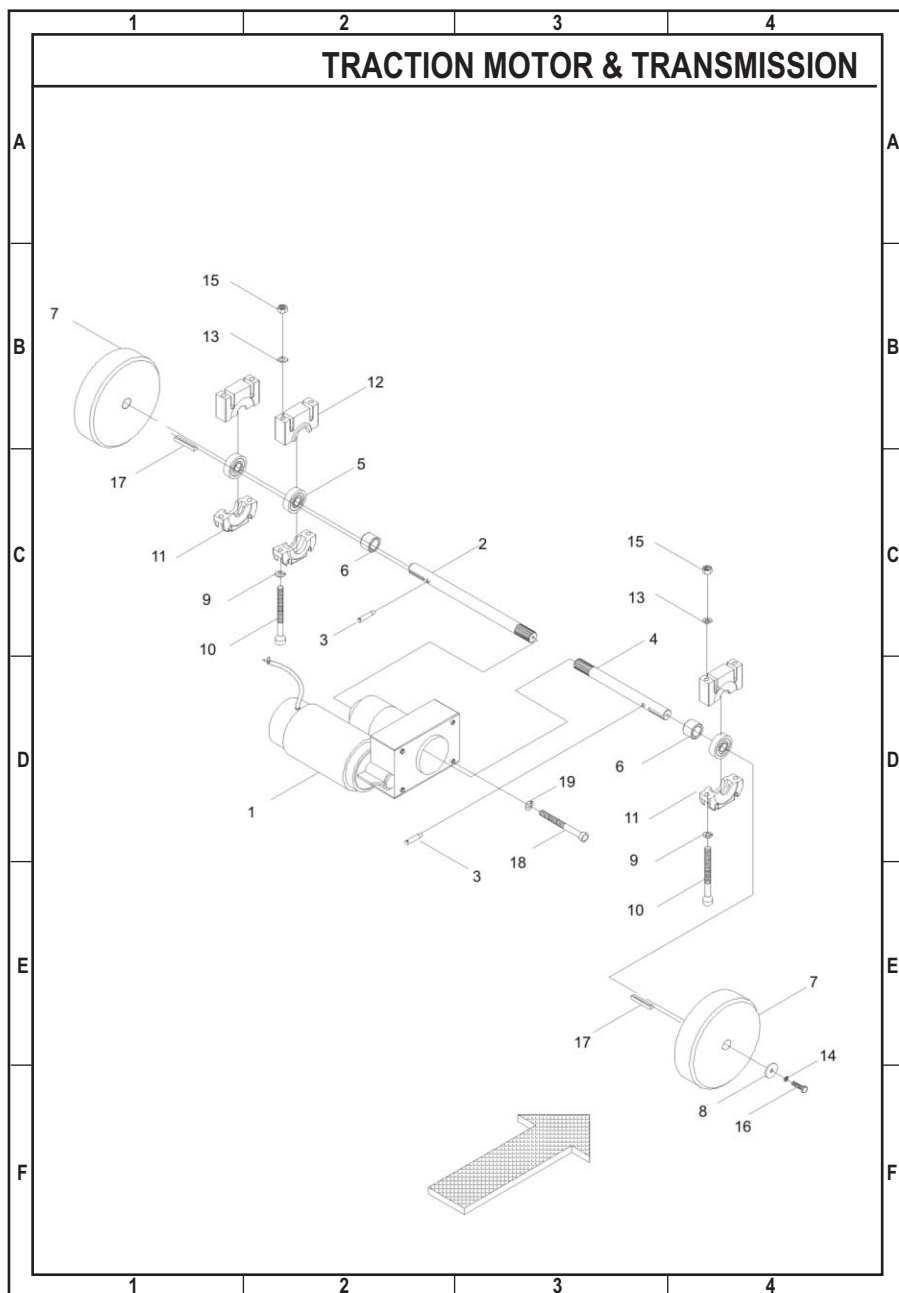
| ITEM # | DESCRIPTION | PART # | # REQUIRED |
|--------|----------------------|--------------|------------|
| 1 | EYEBOLT | 10-6100-000 | 1 |
| 2 | SLIDE GUIDE | 2230-0001-1A | 1 |
| 3 | Ø100 WHEEL | 12-0200-000 | 2 |
| 4 | SUPPORT | 2130-0146-0A | |
| 5 | FORK | 3140-0005-0A | 2 |
| 6 | Ø8 PIN AXE | 2211-0002-0 | 2 |
| 7 | Ø1,8 SPLIT PIN | 10-4500-000 | 2 |
| 8 | PANEL | 3535-0001-1 | 4 |
| 9 | SUPPORT | 2130-0153-0A | 2 |
| 10 | SUPPORT | 2130-0147-0A | 2 |
| 11 | LEVE AXLE | 3020-0006-1A | 2 |
| 12 | KNOB | 15-0200-000 | 1 |
| 13 | COCK LEVER | 3020-0005-0A | 2 |
| 14 | SUPPORT | 2130-0184-0A | 1 |
| 15 | PLATE | 2120-0005-1A | 1 |
| 16 | SUPPORT | 2130-0125-0A | 1 |
| 17 | SUPPORT | 2135-0011-0 | 1 |
| 18 | CABLE | 3070-0008-0 | 2 |
| 19 | 90° CONNECTOR | 15-3311-000 | 1 |
| 20 | GASKET, JOINT | 15-3002-000 | 1 |
| 21 | COCK | 15-3500-001 | 4 |
| 22 | SUPPORT | 2130-0121-2A | 1 |
| 23 | CONNECTOR | 15-3361-000 | 1 |
| 24 | M 8 X 20 SCREW | 10-0004-100 | 1 |
| 25 | Ø8 LEVEL WASHER | 10-2023-000 | 2 |
| 26 | M 8 LOCK NUT | 10-1104-000 | 4 |
| 27 | M 6 NUT | 10-1203-000 | 24 |
| 28 | Ø6 X 18 LEVEL WASHER | 10-2018-001 | 14 |
| 29 | M 6 LOCK NUT | 10-1103-000 | 6 |
| 30 | Ø6 LEVEL WASHER | 10-2018-000 | 8 |
| 31 | M 6 X 30 SCREW | 10-0003-120 | 8 |
| 32 | Ø8 BUSHING | 11-0110-000 | 3 |
| 33 | Ø8 X 24 LEVEL WASHER | 10-2023-001 | 4 |
| 34 | M 5 X 12 SCREW | 10-0402-060 | 1 |
| 35 | Ø5 LEVEL WASHER | 10-2015-000 | 4 |
| 36 | M 5 LOCK NUT | 10-1102-000 | 8 |
| 37 | M 8 X 20 SCREW | 10-0404-100 | 4 |
| 38 | M 6 X 16 SCREW | 10-0403-080 | 10 |
| 39 | M 6 X 16 SCREW | 10-0003-080 | 4 |

FRAME PART 2

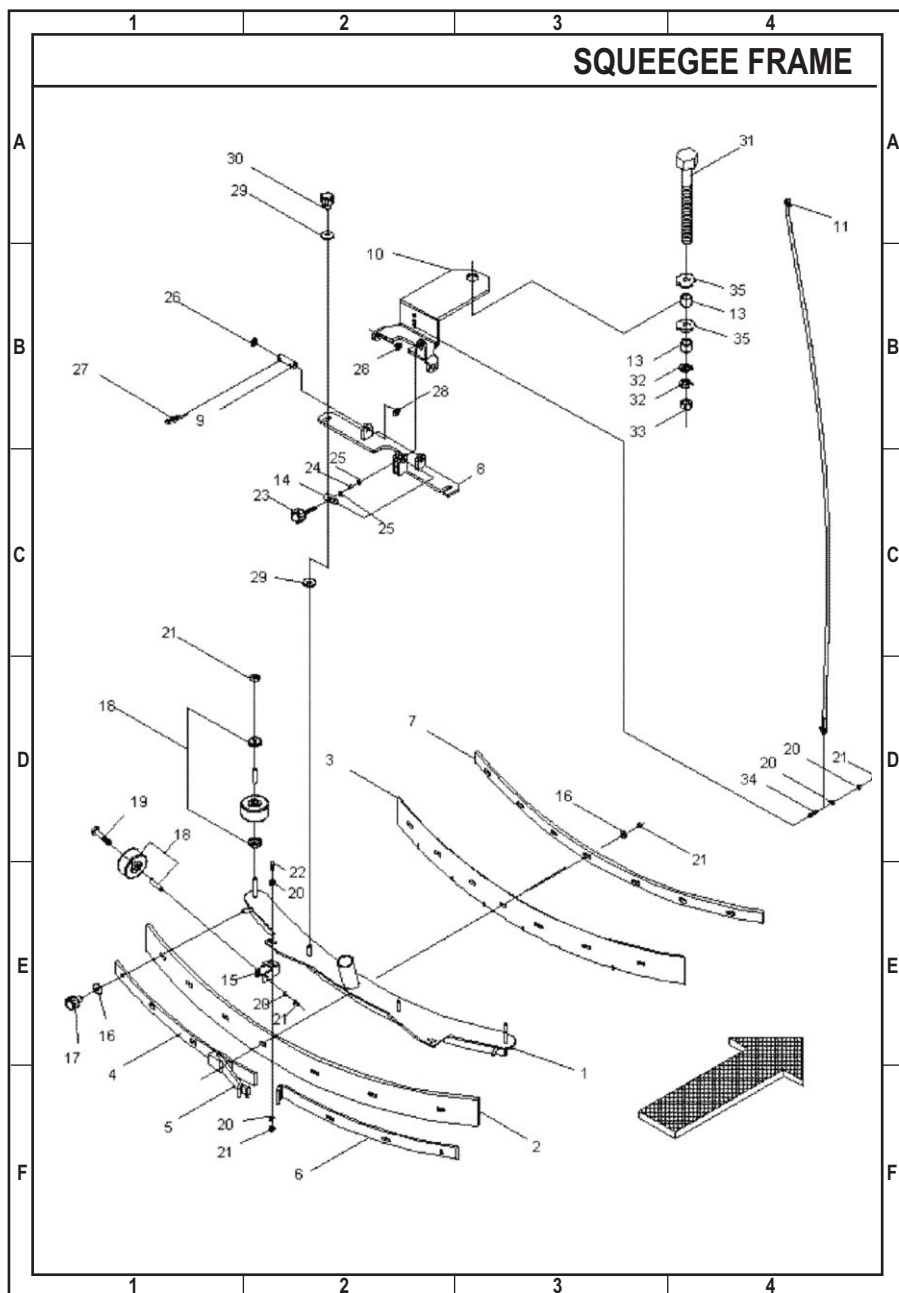


| ITEM # | DESCRIPTION | PART # | # REQUIRED |
|--------|--------------------|--------------|------------|
| 1 | MOTOR SUPPORT | 2130-0156-2A | 1 |
| 2 | FORK | 3140-0000-0A | 2 |
| 3 | M 8 X 25 SCREW | 10-0004-110 | 8 |
| 4 | Ø8 LEVEL WASHER | 10-2023-000 | 20 |
| 5 | M8 LOCK NIT | 10-1104-000 | 8 |
| 6 | 24V DC MOTOR | 13-0001-001 | 2 |
| 7 | Ø6 LEVEL WASHER | 10-2018-000 | 24 |
| 8 | Ø6 LOCK WASHER | 10-2218-000 | 16 |
| 9 | M 6 X 16 SCREW | 10-0003-080 | 16 |
| 10 | PLATE | 3452-0001-0 | 2 |
| 11 | 6 X 6 X 30 KEY | 10-3104-100 | 2 |
| 12 | SPRING | 2820-0000-0Y | 1 |
| 13 | SPRING | 2820-0002-0Y | 1 |
| 14 | M 6 X 10 SCREW | 10-0003-050 | 2 |
| 15 | Ø6X18 LEVEL WASHER | 10-2018-001 | 2 |
| 16 | Ø8X32 LEVEL WASHER | 10-2023-002 | 2 |
| 17 | Ø8 LOCK WASHER | 10-2123-000 | 2 |
| 18 | BRUSH | 4905-0002-0 | 2 |
| 19 | Ø80 WHEEL | 12-0000-001 | 2 |
| 20 | M 6 X 45 SCREW | 10-0003-150 | 2 |
| 21 | LOCK NUT | 10-1103-000 | 5 |
| 22 | GASKET, JOINT | 2375-0012-0 | 1 |
| 23 | SPLASH GUARD | 2375-0011-0 | 1 |
| 24 | BLADE | 3691-0001-0 | 1 |
| 25 | LEVER | 3020-0011-0A | 1 |
| 26 | BUSHING | 11-0110-000 | 8 |
| 27 | Ø8 PIN AXE | 2211-0002-0 | 2 |
| 28 | Ø1,8 SPLIT PIN | 10-4500-000 | 4 |
| 29 | HOSE | 2665-0037-0 | 1 |
| 30 | CLAMP | 10-5003-000 | 1 |
| 31 | "T" CONNECTOR | 15-3331-000 | 1 |
| 32 | HOSE | 2665-0038-0 | 1 |
| 33 | HOSE | 2665-0039-0 | 1 |
| 34 | DRAIN OUTLET | 15-1320-000 | 2 |
| 35 | 90° CONNECTOR | 15-3321-000 | 2 |
| 36 | M 6 X 20 SCREW | 10-0003-100 | 2 |
| 37 | PEDAL | 2030-0003-0A | 1 |
| 38 | ROLL-BAR | 3330-0004-0A | 1 |

TRACTION MOTOR & TRANSMISSION



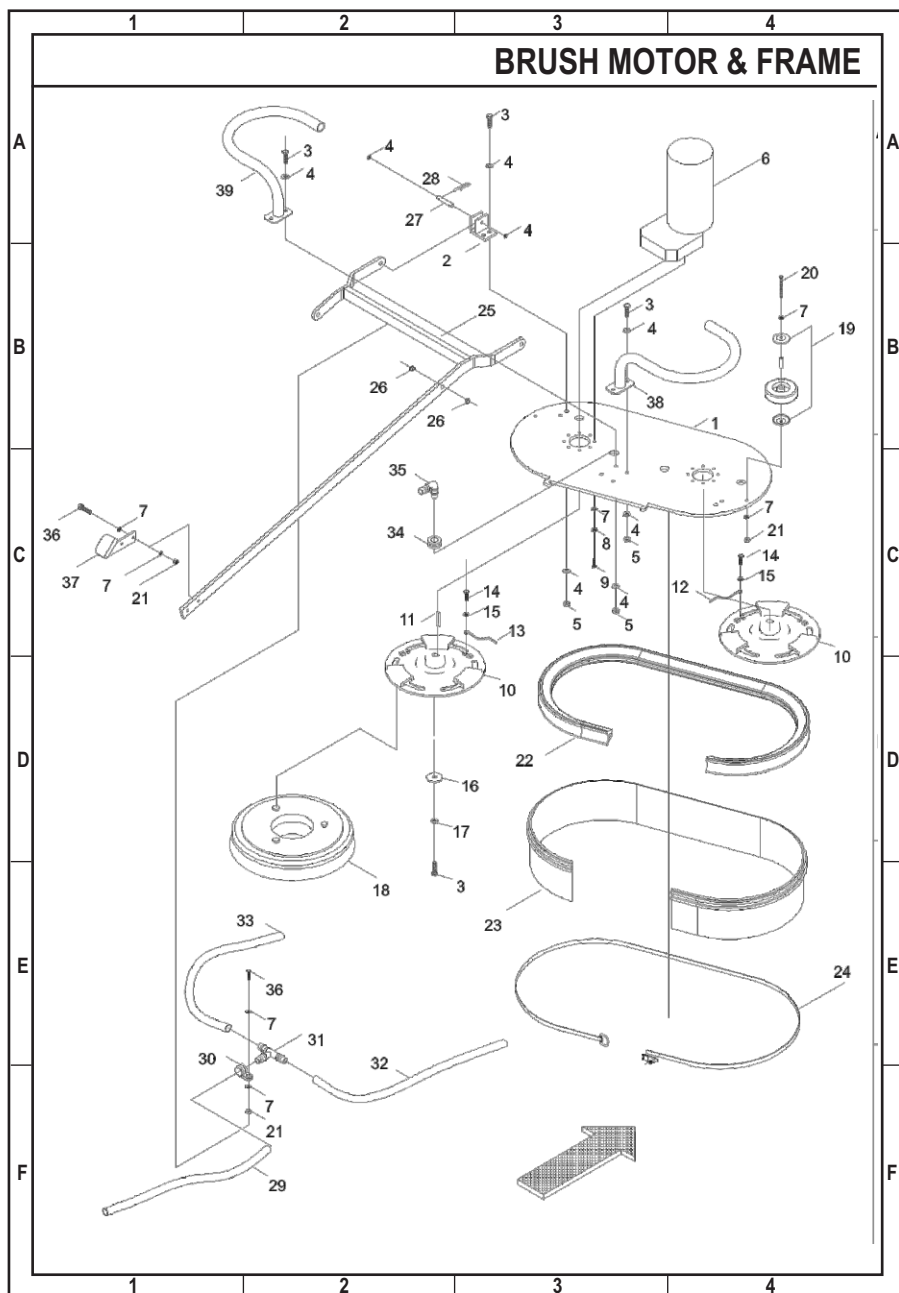
| ITEM # | DESCRIPTION | PART # | # REQUIRED |
|--------|--------------------|-------------|------------|
| 1 | ELECTRIC MOTOR | 4410-0001-0 | 1 |
| 2 | AXEL SHAFT | 2400-0005-0 | 1 |
| 3 | 06 X 30 SPRING | 10-4109-140 | 2 |
| 4 | AXEL SHAFT | 2400-0004-0 | 1 |
| 5 | BEARING | 11-1020-000 | 3 |
| 6 | BUSHING | 2220-0003-0 | 2 |
| 7 | 0200 WHEEL | 12-0300-001 | 2 |
| 8 | 06X30 LEVEL WASHER | 10-2018-003 | 2 |
| 9 | 08 LOCK WASHER | 10-2223-000 | 6 |
| 10 | M8X80 SCREW | 10-0104-225 | 6 |
| 11 | MINOR SUPPORT | 11-8100-001 | 3 |
| 12 | MAJOR SUIPPORT | 11-8100-000 | 3 |
| 13 | 08 LEVEL WASHER | 10-2023-000 | 6 |
| 14 | 06 LOCK WASHER | 10-2118-000 | 2 |
| 15 | M8 LOCK NIT | 10-1104-000 | 6 |
| 16 | M6X20 SCREW | 10-0003-100 | 2 |
| 17 | 6X6X30 KEY | 10-3104-120 | 2 |
| 18 | M6X30 SCREW | 10-0103-120 | 4 |
| 19 | 06 LOCK WASHER | 10-2218-000 | 4 |



SQUEEGEE FRAME

| ITEM # | DESCRIPTION | PART # | # REQUIRED |
|--------|-------------------------------|--------------|------------|
| 1 | SQUEEGEE | 3920-0011-0A | 1 |
| 2 | GASKET, JOINT | 2705-0020-0 | 1 |
| 3 | GASKET, JOINT | 2705-0019-0 | 1 |
| 4 | BLADE | 2260-0031-0A | 1 |
| 6 | LOCKING LEVER | 05-0401-001 | 1 |
| 7 | S/S SQUEEGEE MOUNT ATTACHMENT | 2260-0032-0A | 1 |
| 9 | REAR ATTACHMENT | 2260-0033-0A | 1 |
| 10 | 2° ARM | 3610-0004-0A | 1 |
| 11 | Ø8 PIN AXE | 2211-0002-0 | 2 |
| 12 | AMR | 3610-0003-0A | 1 |
| 13 | CABLE | 3070-0003-0 | 1 |
| 14 | 15 BUSHING | 2220-0014-0 | 1 |
| 15 | BUSHING | 2220-0019-0 | 1 |
| 16 | SUPPORT | 2130-0207-0A | 2 |
| 17 | Ø6X18 LEVEL WASHER | 10-2018-001 | 9 |
| 18 | M6 HANDWHEEL | 10-6203-001 | 2 |
| 19 | Ø50 WHEEL | 12-0000-000 | 4 |
| 20 | M 6 X 50 SCREW | 10-0003-165 | 4 |
| 21 | Ø6 LEVEL WASHER | 10-2018-000 | 15 |
| 22 | LOCK NUT | 10-1103-000 | 16 |
| 23 | M 6 X 20 SCREW | 10-0003-100 | 4 |
| 24 | M8 HANDWHEEL | 10-6204-00 | 1 |
| 25 | BUSHING | 2220-0018-0 | 1 |
| 26 | M8 NUT | 10-1004-002 | 2 |
| 27 | Ø8 LEVEL WASHER | 10-2023-000 | 4 |
| 28 | Ø1,8 SPLIT PIN | 10-4500-000 | 4 |
| 29 | BUSHING | 11-0110-000 | 2 |
| 30 | 8 X 24 LEVEL WASHER | 10-2023-001 | 4 |
| 31 | M8 HANDWHEEL | 10-6204-00 | 2 |
| 32 | M 10 X 80 SCREW | 10-0006-225 | 1 |
| 33 | 12X36 LEVEL WASHER | 10-2031-000 | 2 |
| 34 | M12 LOCK NIT | 10-1109-000 | 1 |
| 35 | M 6 X 30 SCREW | 10-0003-120 | 1 |
| 36 | 12X36 LEVEL WASHER | 10-2031-000 | 2 |

BRUSH MOTOR & FRAME



| ITEM # | DESCRIPTION | PART # | # REQUIRED |
|--------|--------------------|--------------|------------|
| 1 | MOTOR SUPPORT | 2130-0156-2A | 1 |
| 2 | FORK | 3140-0000-0A | 2 |
| 3 | M 8 X 25 SCREW | 10-0004-110 | 8 |
| 4 | Ø8 LEVEL WASHER | 10-2023-000 | 20 |
| 5 | M8 LOCK NIT | 10-1104-000 | 8 |
| 6 | 24V DC MOTOR | 13-0001-001 | 2 |
| 7 | Ø6 LEVEL WASHER | 10-2018-000 | 24 |
| 8 | Ø6 LOCK WASHER | 10-2218-000 | 16 |
| 9 | M 6 X 16 SCREW | 10-0003-080 | 16 |
| 10 | PLATE | 3452-0001-0 | 2 |
| 11 | 6 X 6 X 30 KEY | 10-3104-100 | 2 |
| 12 | SPRING | 2820-0000-0Y | 1 |
| 13 | SPRING | 2820-0002-0Y | 1 |
| 14 | M 6 X 10 SCREW | 10-0003-050 | 2 |
| 15 | Ø6X18 LEVEL WASHER | 10-2018-001 | 2 |
| 16 | Ø8X32 LEVEL WASHER | 10-2023-002 | 2 |
| 17 | Ø8 LOCK WASHER | 10-2123-000 | 2 |
| 18 | BRUSH | 4905-0002-0 | 2 |
| 19 | Ø80 WHEEL | 12-0000-001 | 2 |
| 20 | M 6 X 45 SCREW | 10-0003-150 | 2 |
| 21 | LOCK NUT | 10-1103-000 | 5 |
| 22 | GASKET, JOINT | 2375-0012-0 | 1 |
| 23 | SPLASH GUARD | 2375-0011-0 | 1 |
| 24 | BLADE | 3691-0001-0 | 1 |
| 25 | LEVER | 3020-0011-0A | 1 |
| 26 | BUSHING | 11-0110-000 | 8 |
| 27 | Ø8 PIN AXE | 2211-0002-0 | 2 |
| 28 | Ø1,8 SPLIT PIN | 10-4500-000 | 4 |
| 29 | HOSE | 2665-0037-0 | 1 |
| 30 | CLAMP | 10-5003-000 | 1 |
| 31 | "T" CONNECTOR | 15-3331-000 | 1 |
| 32 | HOSE | 2665-0038-0 | 1 |
| 33 | HOSE | 2665-0039-0 | 1 |
| 34 | DRAIN OUTLET | 15-1320-000 | 2 |
| 35 | 90° CONNECTOR | 15-3321-000 | 2 |
| 36 | M 6 X 20 SCREW | 10-0003-100 | 2 |
| 37 | PEDAL | 2030-0003-0A | 1 |
| 38 | ROLL-BAR | 3330-0004-0A | 1 |

