



IPC Integrated Professional Cleaning

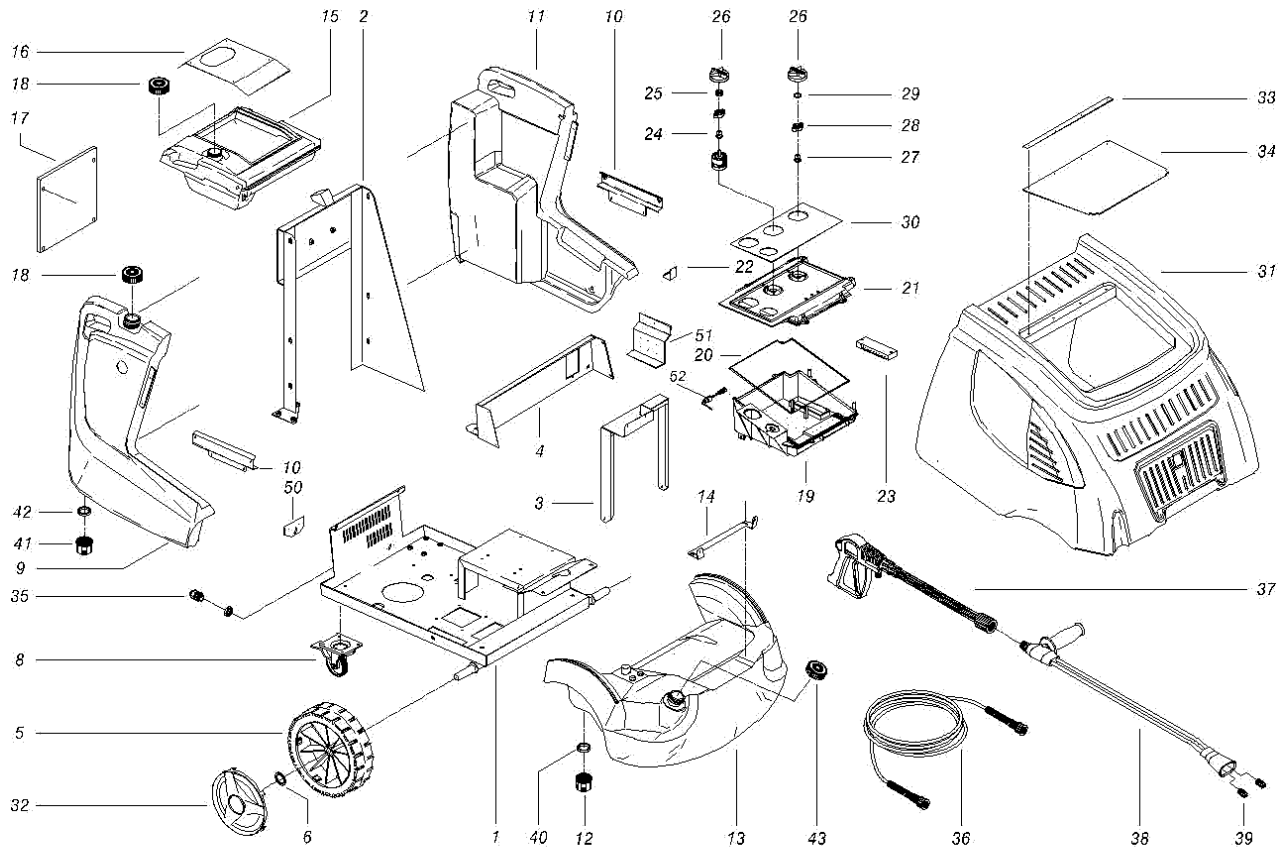
IPCPortotecnica

Spare Parts List

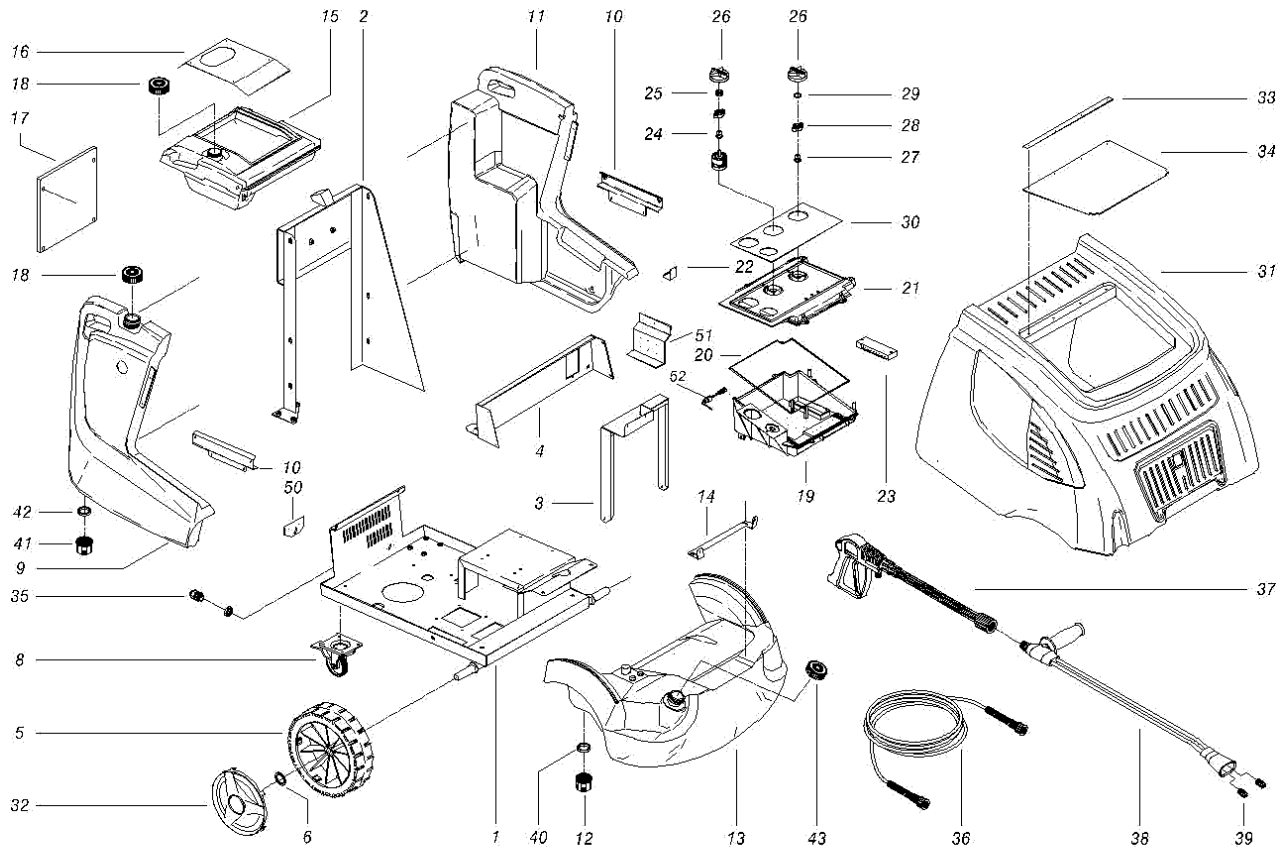
IPC EAGLE

Ref: IDAC40020

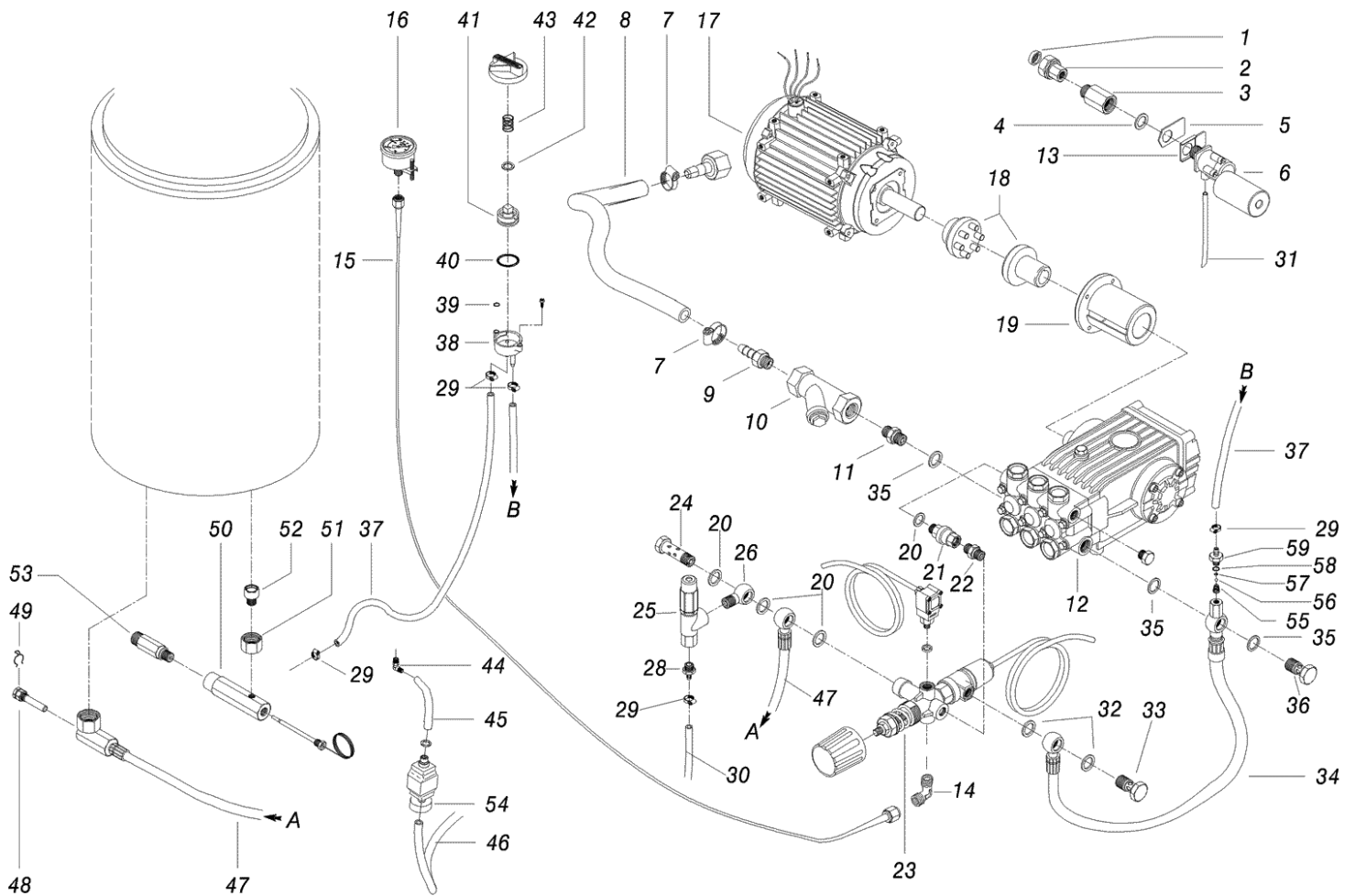
Model: IDROP HPS DS 2475 M 230/60 3-01P60



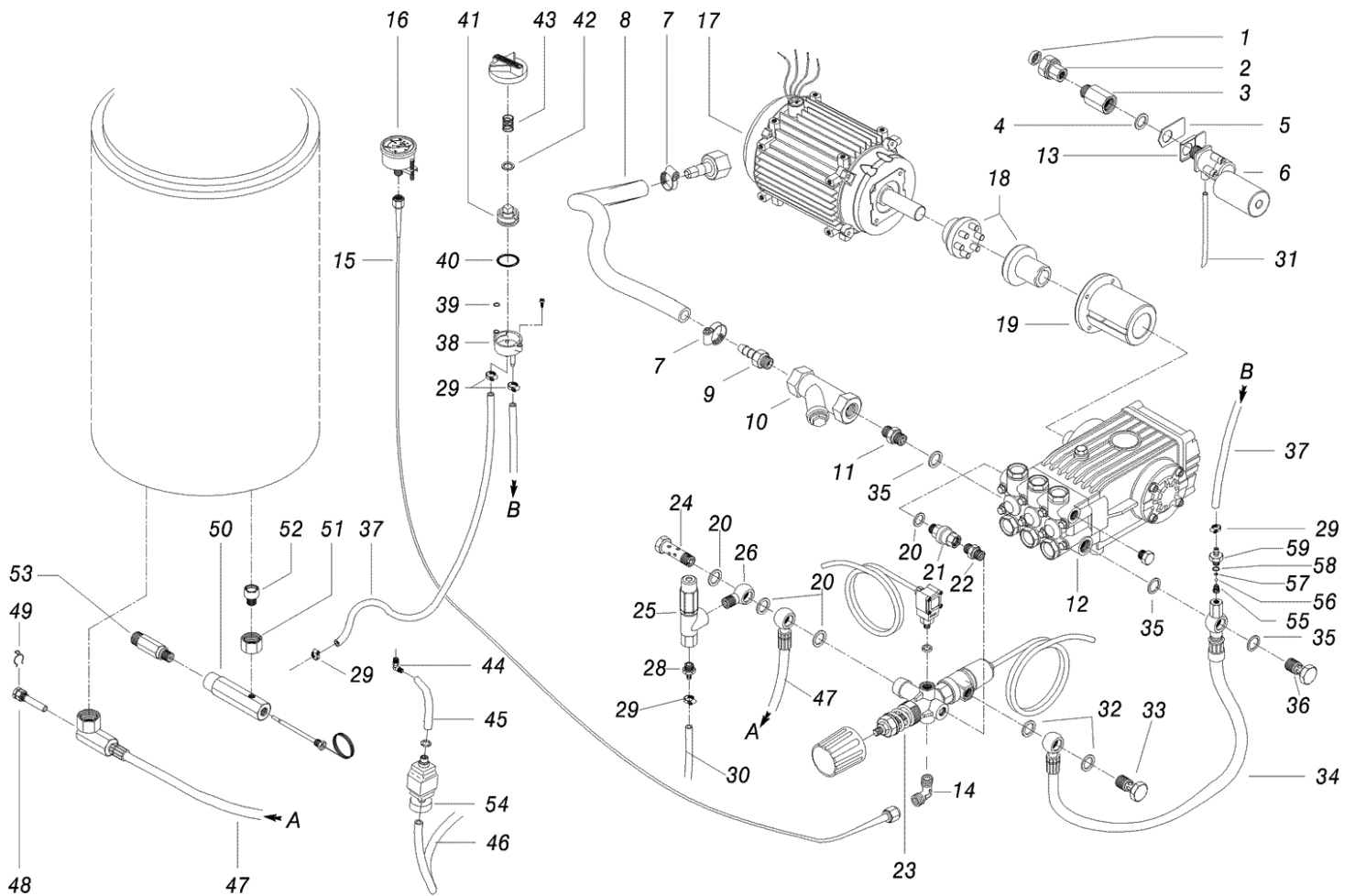
Ref. K	Part N.	Customer Part N.	Description	Qty	Validity: From	To	Price
0001	LAFN44276		CHASSIS P105	1,00			--
0002	LAFN44283		FRAME P105	1,00			--
0003	LAFN44269		SUPPORT P105	1,00			--
0004	LAFN40115		SUPPORT BRACKETP105 2V.	1,00	07/2008		--
0004	LAFN44267		SUPPORT BRACKETP105	1,00		07/2008	--
0005	RTRT45383		WHEEL D.305-D.25 RT-IPC	2,00			--
0006	VTRS09813		WASHER D.25	2,00			--
0008	RTRT13708		TURNING WHEEL D.125 P. MZ.PLS	1,00			--
0009	MPVR40019		FUEL TANK P105-HD 2V.	1,00	04/2007		--
0009	MPVR40020		FUEL TANK P105-HPS 2V. PEHD	1,00	04/2007		--
0009	MPVR45300		FUEL TANK P105-HD	1,00		04/2007	--
0009	MPVR45301		FUEL TANK P105-HPS	1,00		04/2007	--
0009	MPVR88966		TANK P105 C/F.SC. PEHD	1,00	03/2005		--
0010	LAFN45458		BRACKET P105 LAT.	1,00	01/2002		--
0011	MPVR85024		WATER TANK ADM	1,00			--
0012	RCDS72851		CAP 1/2"F NYL	1,00	01/2006		--
0014	LAFN45456		BRACKET P105 ANT.	1,00	01/2002		--
0015	MPVR40093		TANK P105 C/BC. PEHD	1,00	06/2008		--
0015	MPVR85026		TANK P105 PEHD	1,00		02/2005	--
0015	MPVR88967		TANK P105 C/F G.1/2 PEHD	1,00	03/2005	05/2008	--
0016	LAFN44264		PANEL P105-HPS INX	1,00			--
0018	MPVR40573		TANK CAP MHDS-SK	1,00			--
0019	MPVR33248		CONTROL BOX MISTRAL PP	1,00			--
0020	GUGO11309		JOINT MOUSSE D. 3	1,20			--
0021	MPVR40023		BOX COVER MISTRAL C/F.MN.BK	1,00			--
0022	LAFN34423		SUPPORT BRACKETMST.S-P	1,00			--
0023	MPVR33250		CABLE CLAMP COVMISTRAL	1,00			--
0024	MPVR23482		TAIL PIECE TEC. TUV	1,00			--
0025	GUGO23079		V-SEAL RING VA0014 13.5- 15.5	1,00			--
0026	MPVR20190		GREY KNOB KSM	3,00		11/2007	--
0026	MPVR46511		GREY KNOB KSM C/F.FIS.	3,00	11/2007		--
0027	MPVR23484		TAIL PIECE THERM.KSM TUV	1,00			--
0028	MPVR41903		THICKNESS TERM.IM.PA66	1,00			--
0029	GUGO25527		O-RING D. 14 X 3 NBR 70SH	1,00			--
0031	MPVR40071		RED COVER P105 C/TP. PPL	1,00	01/2008		--
0031	MPVR44796		RED COVER HPS COMP. ABS	1,00		12/2007	--
0031	MPVR89194		RED THROTTLE P245 PPL	1,00	01/2008		--
0032	MPVR25910		RED WHEEL COVERD. 250 RT/PRT	2,00		09/2001	--
0032	MPVR45384		RED WHEEL COVERD. 305 RT-PRT	2,00			--



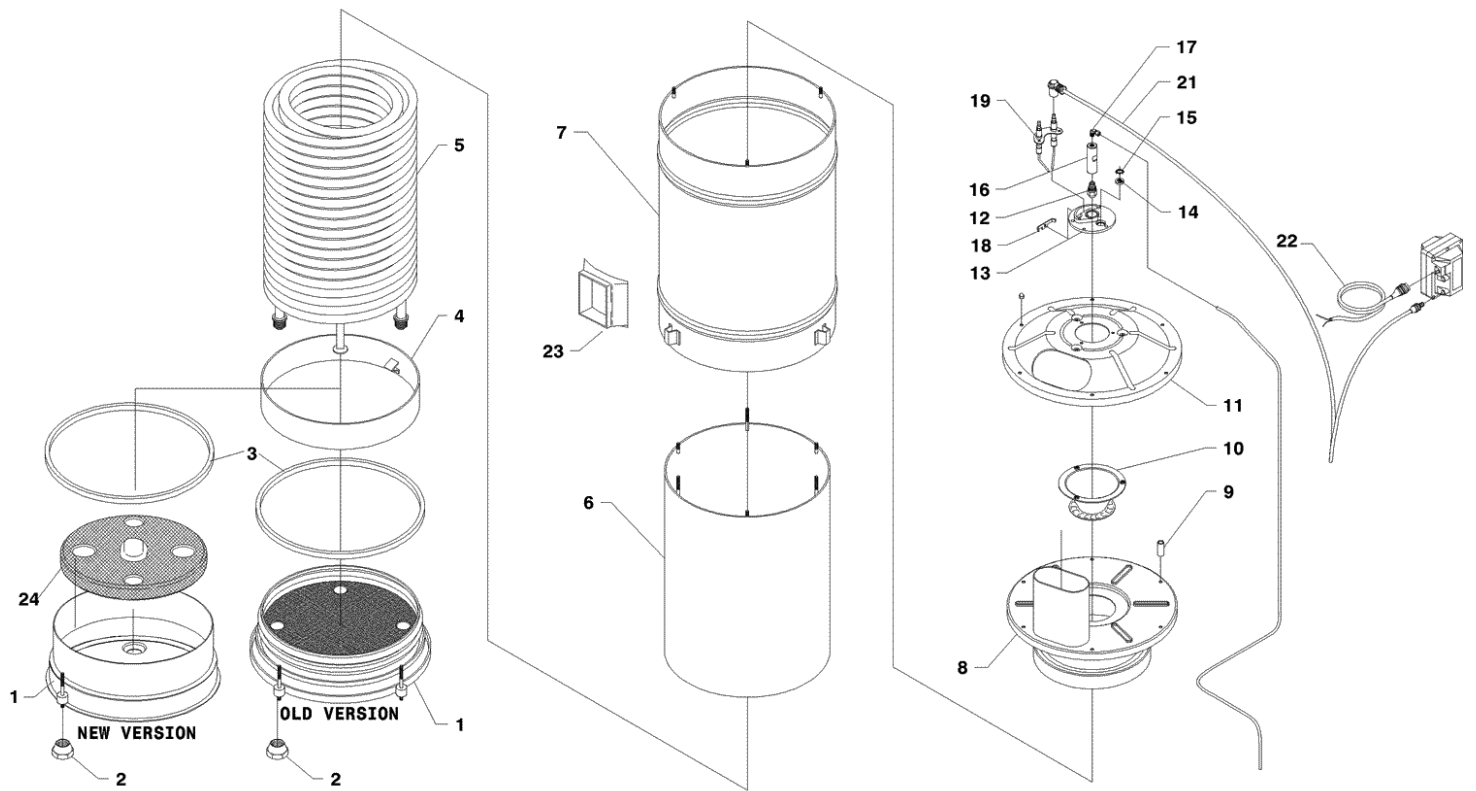
Ref. K	Part N.	Customer Part N.	Description	Qty	Validity:		Price
					From	To	
0033	LAFN45294		HOSE CLIP P105-HPS INX	1,00			--
0034	MPVR44347		PROTECTION P105-HPS PVC	1,00			--
0035	MEVR33994		CABLE FASTNER 4228 B D. 6- 18	1,00			--
0036	TBAP16656		H.P. HOSE R2 MT 15 5/16" IRV F-SWIV	1,00			--
0036	TBAP40002		H.P. HOSE R2 MT 15 5/16" C/2 IRV IX	1,00			--
0037	IPPR89429		GRIP G 4500 - P.330 -M22SW.M V	1,00			--
0038	LCPR12983		DOUBLE EXTENS. PD 70	1,00			--
0039	UGLN02304		NOZZLE 1/4 25065	2,00		05/2006	--
0039	UGLN49995		NOZZLE LECH 1/4 25065	2,00	05/2006		--
0040	GUGO11489		GASKET D.22X1,5	1,00	01/2006		--
0041	PVVR11806		DISCHARGE CAP FLL	1,00	03/2005		--
0042	GUGO11489		GASKET D.22X1,5	1,00	03/2005		--
0043	MPVR89169		TANK CAP MHDS-SK BL.	1,00			--
0050	LAFN40006		SUPPORT P105 2V. BK	1,00	07/2006		--
0051	LAFN40014		SUPPORT MOT. H112 ZC.	1,00			--
0052	MEVR27264		FUSE-HOLDER 031-1081	3,00			--
9999	KTRI86962		KIT S 35-12 ROLLER 20 NR ADM	1,00			--



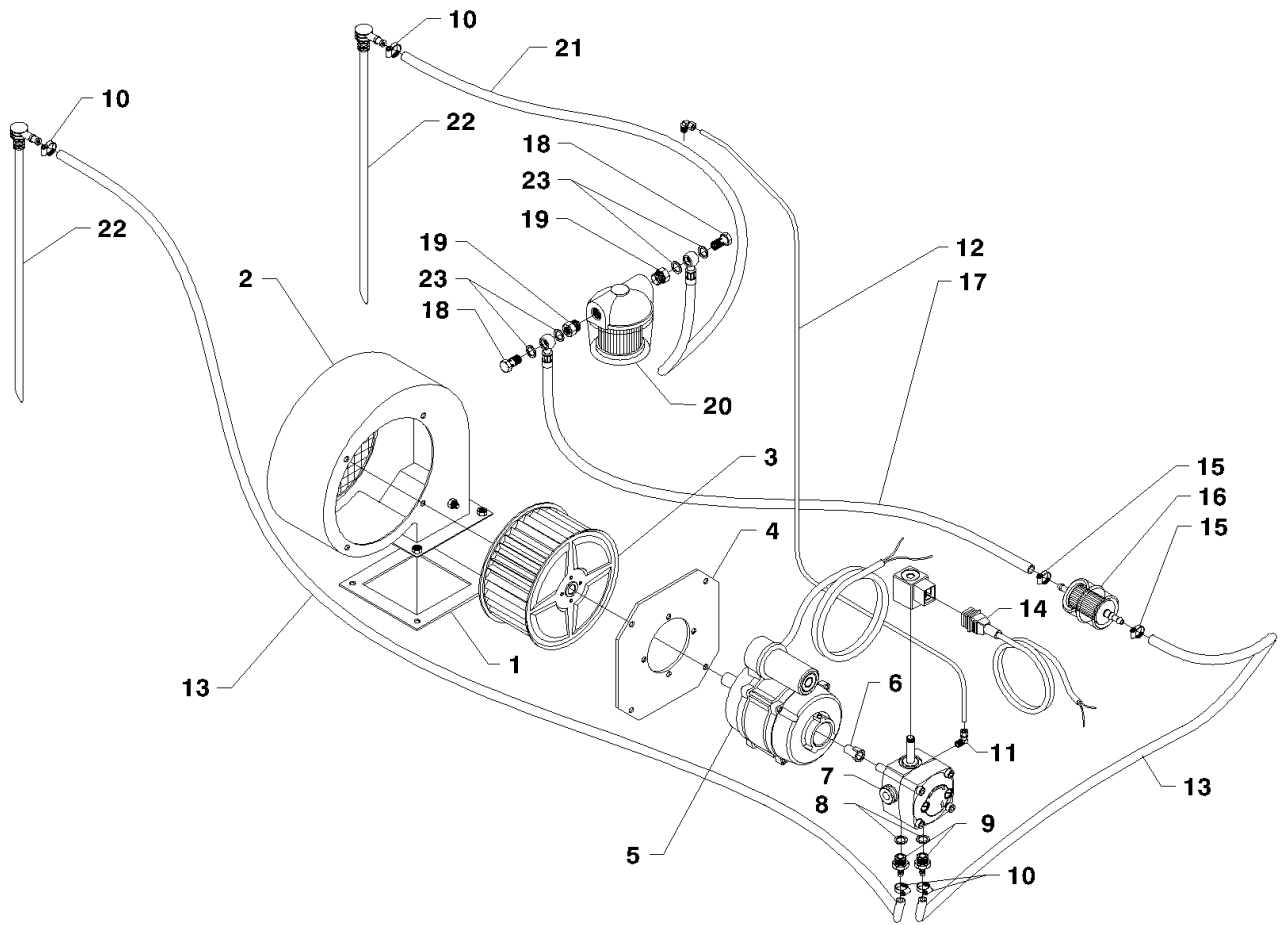
Ref. K	Part N.	Customer Part N.	Description	Qty	Validity: From	To	Price
0001	FTDT12702		FILTER PA	1,00			--
0002	PVVR11712		RING NUT 1/2 NPT	1,00			--
0003	RCDS40011		NIPPLE G3/4F-1/2M.NPT P105 ZC	1,00			--
0004	GUGO43071		GASKET D. 14- 24 X 4 70SH	1,00			--
0005	LAFN88501		BRACKET P105 EST. INX	1,00	09/2004		--
0006	RCGR60703		FLOATER MTM 3/4 PP. S/F.	1,00	09/2002		--
0007	FSVR00431		CLAMP D. 16-25	1,00			--
0008	TBBP15656		L.P. HOSE D.16-26 20BAR	0,60			--
0009	RCDS45365		HOSE FITTING 3/4 M D.10.5-16 OT	1,00			--
0010	FTAC33904		FILTER 3/4 F/F 2.VERS.	1,00			--
0011	RCDS00602		NIPPLE 3/4 - 1/2 CN D.13.5	1,00			--
0012	PPAP40009		PUMP GP TS1511 SX LT15 -150BAR	1,00	01/2007		--
0013	LAFN88500		BRACKET P105 INT. INX	1,00	09/2004		--
0014	RCVR12430		ELBOW 1/4" M/M A15	1,00	05/2008		--
0014	RCVR12430		ELBOW 1/4" M/M A15	1,00		02/2007	--
0015	TBAP04437		POLYAMIDE HOSE L=420 1/4-1/4 F-F	1,00		02/2007	--
0015	TBAP40006		POLYAMIDE HOSE L=420 1/4 F-F	1,00	03/2007		--
0016	MNMN49621		PRESSURE GAUGE 0-250 D.50 INOX	1,00	11/2003		--
0017	MOMO40004		1PH MOTOR B3-B14 HP7 220-60 ED/CU	1,00			--
0018	FGGT88467		FLEX. COUPLING P105 HP 9.0 CPL.	1,00			--
0019	MFVR89552		FLANGE MOTOR H 112 B14-P237 9HP	1,00			--
0020	VTRS00548		WASHER D.17,5X22X1,5 (3/8)RM	1,00		02/2007	--
0020	VTRS12492		WASHER 3/8	3,00	02/2007		--
0021	RCVR00563		SWIVEL RACCORD 3/8 M/F	1,00		02/2007	--
0022	RCDS00610		NIPPLE 3/8 - 3/8 SV	1,00	05/2008		--
0022	RCDS00610		NIPPLE 3/8 - 3/8 SV	1,00		02/2007	--
0023	VVAZ15529		VALVE ST 261 - SWITCH	1,00		05/2004	--
0023	VVAZ40001		VALVE ST 261 - S.REED N.C. C/CN	1,00	05/2008		--
0023	VVAZ88040		VALVE ST 261 - S.REED N.C.	1,00	05/2008	05/2008	--
0024	RCDS01371		SCREW G 3/8 A.P.	1,00		02/2007	--
0024	RCDS14384		SCREW G 3/8 VSP 180	1,00	02/2007		--
0025	VVSC21627		VALVE VS 220 G3/8	1,00	02/2007		--
0026	RCDS15150		CONNECTOR O. 3/8 - G3/8M L=28.5	1,00	02/2007		--
0027	VTRS40960		WASHER D.13.5X19 X4 AL.	1,00	04/2002		--
0028	RCDS03514		HOSE FITTING 3/8 M D. 5- 7	1,00	02/2007		--
0029	FSVR00427		CLAMP D. 12 CLIC 66-110	1,00			--
0030	TBBP04917		L.P. HOSE D. 6- 9	0,70			--
0031	TBBP17436		L.P. HOSE D.12-14 RILSAN NT.	0,15	09/2002		--
0032	VTRS12821		WASHER D.14X18,7X1,25 1/4 GM	2,00			--



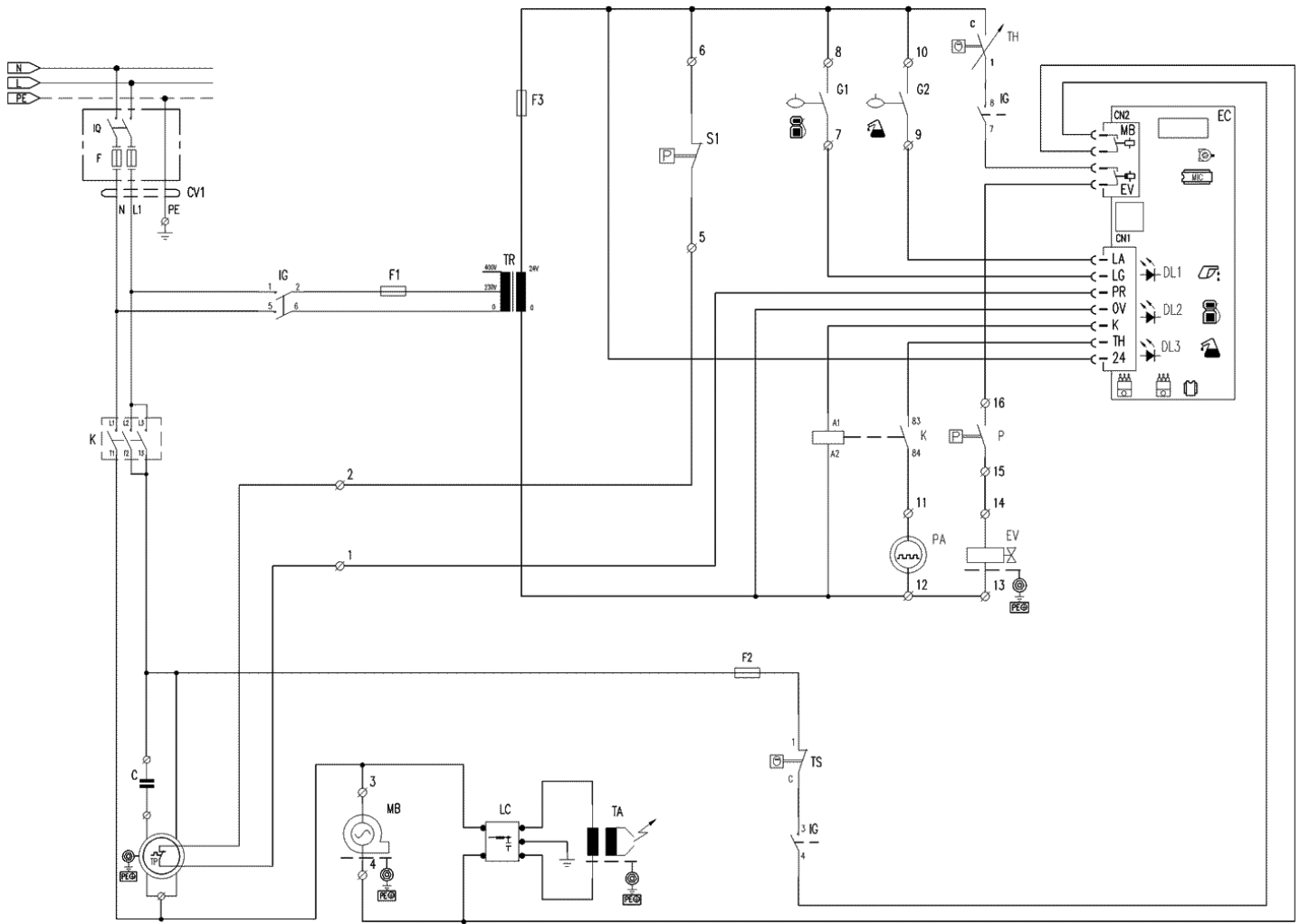
Ref.	K	Part N.	Customer Part N.	Description	Qty	Validity:		Price
						From	To	
0033		RCDS02612		SCREW G 1/4 A.P.	1,00			--
0034		TBBP41686		BY-PASS HOSE L=390 1/2+V.NRT-1/4OC 90°	1,00			--
0035		VTRS12491		WASHER 1/2	2,00			--
0036		RCDS33982		SCREW 1/2 C/SC. L=41.5 D.13.5	1,00			--
0037		TBBP00051		DETERGENT HOSE D. 6-12	0,90			--
0038		RCGR08069		TAP BODY DET. PRT	1,00			--
0039		GUGO08071		O-RING D. 4.48 X 1.78 NBR 70SH	1,00			--
0040		GUGO12183		O-RING D. 23.4 X 3.53 VIT 70SH	1,00			--
0041		RCGR08070		ADJUSTER PRT	1,00			--
0042		VTRS00542		WASHER D.14X20	1,00			--
0043		MLML08068		SPRING D.1,5 L.23	1,00			--
0044		RCVR14044		CONNECTOR L 1/8" M C5 D. 6/ 4 NIK	1,00		05/2008	--
0045		TBBP11756		L.P. HOSE D. 4- 6 RILSAN NTR	0,40		05/2008	--
0046		TBBP00058		L.P. HOSE D. 4- 6	0,50	11/2001		--
0047		TBAP44709		HOSE-FITTING 3/ 8 R2 L=710 3/8O-1/2PMG	1,00			--
0048		RCDS00593		SUMP IM 0-120 L=50	1,00			--
0049		MLML02623		SPRING IMT	1,00			--
0050		RCDS19322		BLOC BODY 3/8F-M14	1,00			--
0051		VTDD19324		NUT G 1/2	1,00			--
0052		RCDS19326		CONNECTOR M 14	1,00			--
0053		RCDS44542		CONNECTOR M22 M -3/8M L=100 OT.	1,00			--
0054		MPVR44324		SUPPORT NM1-P105 PVC	1,00		10/2002	--
0054		MPVR47772		SUPPORT NME1-P105 PVC	1,00	10/2002		--
0055		MLML21505		SPRING D. 8 X5 X0.3	1,00			--
0056		SFVR04274		BALL D. 7/32	1,00			--
0057		GUGO01055		O-RING D. 5.28 X 1.78 VIT 70SH	1,00			--
0058		GUGO01036		O-RING D. 10.82 X 1.78 NBR 70SH	1,00			--
0059		RCDS10546		VALVE SEAT 1/4M + PG. D.3-7.5 OTT	1,00			--



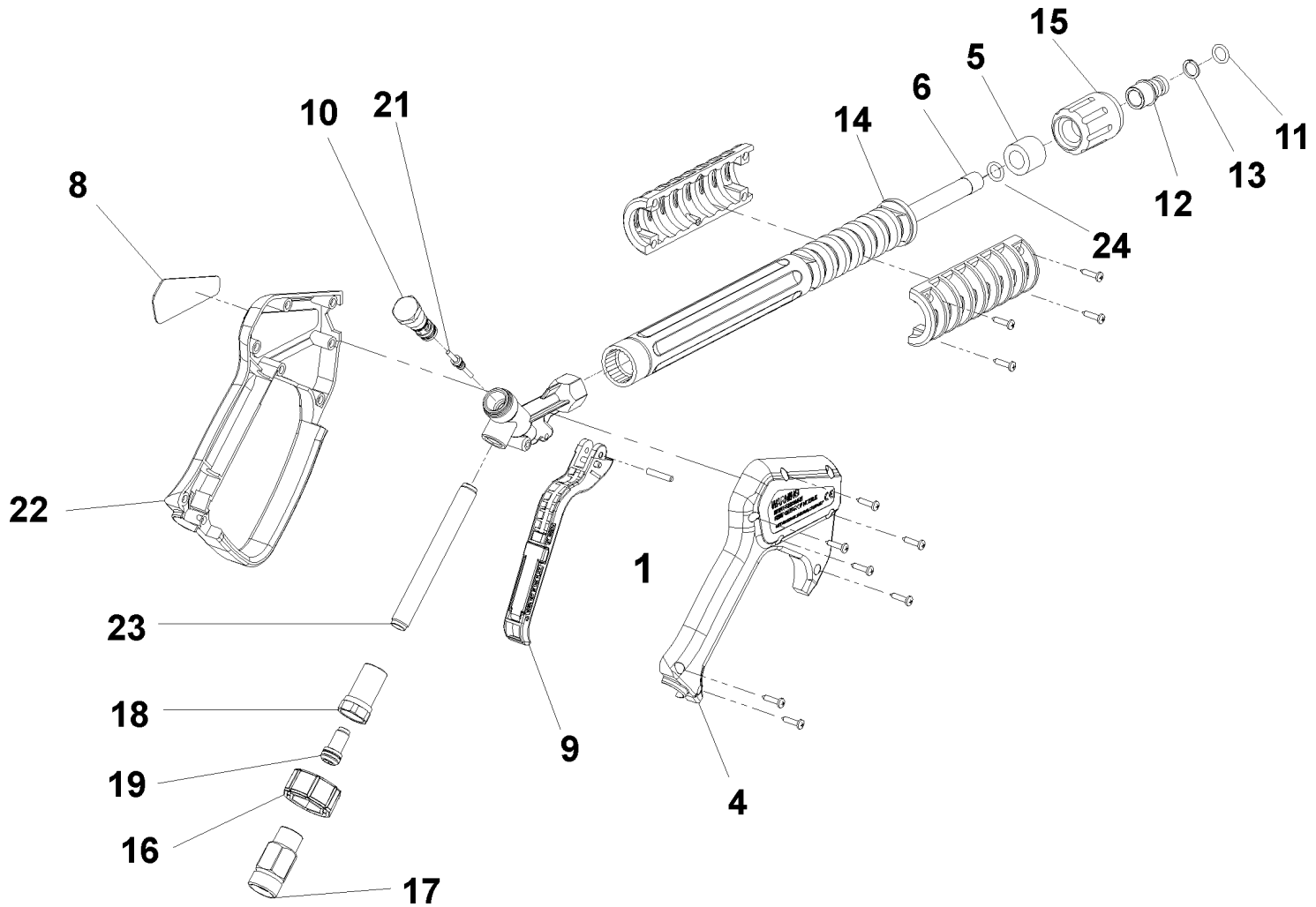
Ref. K	Part N.	Customer Part N.	Description	Qty	Validity:		Price
					From	To	
0001	LAFN12715		BOILER BOTTOM FUT	1,00		03/2008	--
0001	LAFN40038		BOILER BOTTOM FUT. 2V. BK	1,00	03/2008		--
0002	RCDS00561		RING NUT 1/2 OTT	2,00			--
0003	GUVR35205		GASKET D. 7 FIB.	1,02	02/1996		--
0004	LAFN11708		METAL STRIP FUT	1,00		03/2008	--
0005	LAFN06312		DOUBLE COIL 3/8 J.FUT G	1,00			--
0006	LAFN08244		INT. CYLINDER J.FUT INX	1,00		03/2008	--
0006	LAFN40076		INT. CYLINDER J.FUT 2V.INX	1,00	03/2008		--
0007	LAFN08242		EXT. CYLINDER J.FUT INX	1,00			--
0008	LAFN08072		BOILER COVER SIFUT INX	1,00			--
0009	LAFN09096		SPACER 10X28,5	3,00			--
0010	LAFN08042		BAFFLE FUT	1,00			--
0011	LAFN07676		BOILER COVER SEFUT INX	1,00			--
0012	UGBR31344		BURNER NOZZLE 1.75 60 S	1,00			--
0013	MFVR18226		ELECTR.HOLDER FUT 3°V	1,00			--
0014	MPVR18228		OIL WARN-LIGHT D.17 X3	1,00			--
0015	VTAE22633		SEEGER 0.4 X18,30X10,5	1,00			--
0016	RCDS07642		NOZZLE HOLDER FUT	1,00			--
0017	RCVR08954		ELBOW 1/8"-4 B5	1,00			--
0018	LAFN07641		PLATE INX	1,00			--
0019	MECA12525		ELECTRODE FUT	1,00			--
0020	VTDD05907		NUT M 6 CIE.	6,00			--
0021	MECV35334		CABLE A.T. 9,8-23KOHM/M L= 400P	2,00	05/2008		--
0022	MECB34463		CABLE BT L=800 SP.	1,00			--
0023	MPVR40012		CONVEYOR CB4-P105 2PZ.CP.	1,00	02/2007		--
0024	ITTE48421		BOTTOM FUT C.TE	1,00	03/2008		--



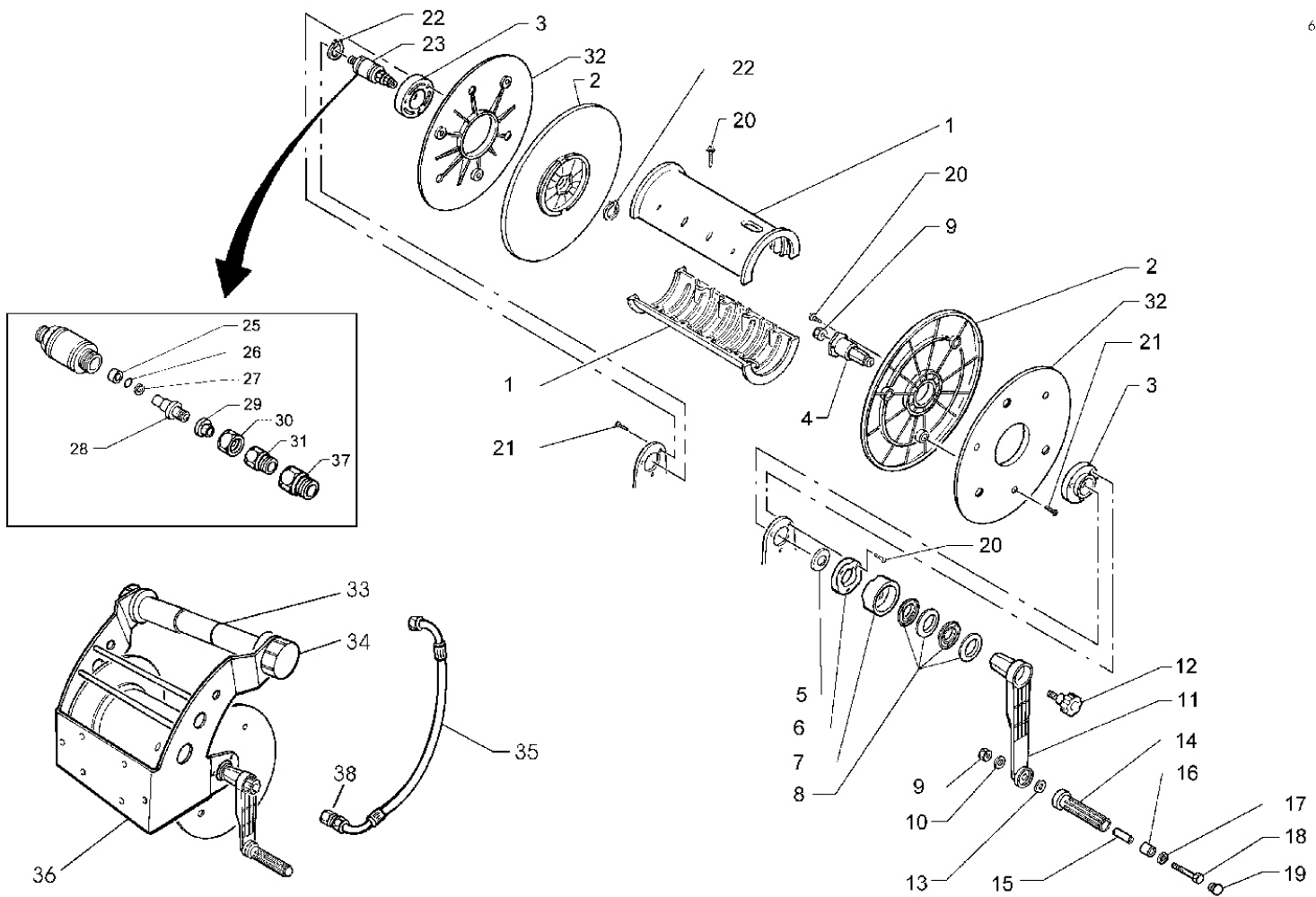
Ref. K	Part N.	Customer Part N.	Description	Qty	Validity:		Price
					From	To	
0001	GUGO11214		GASKET FLL	1,00		02/2007	--
0001	GUGO40003		GASKET CB4	1,00	02/2007		--
0002	LAFN44325		SCROLL CB4 -P105	1,00		02/2007	--
0002	MPVR40010		SCROLL CB4 -2PZ.CP	1,00	02/2007		--
0003	VEVR34275		IMPELLER D.160-80 D.12.7 36P B.SX	1,00	02/2007		--
0004	LAFN10272		MOTOR PLATE CB 3	1,00	02/2007		--
0005	MOMB35727		BURNER MOTOR 230-60 IP44 200W A.OR	1,00	02/2007		--
0006	KTRI36516		KIT P 18- 9	1,00			--
0007	FTCO88927		FUEL FILTER S.AL	1,00	01/2005		--
0007	PPGS27370		FUEL PUMP DLT VM1LR25	1,00		12/2004	--
0007	PPGS40005		FUEL PUMP DNF BFA 01L3R2	1,00	05/2008		--
0007	PPGS88592		FUEL PUMP DLT ALLUM. A1L2	1,00	02/2007	04/2008	--
0008	VTRS04931		WASHER COPPER D.13X19X1.5	2,00	02/2007		--
0009	RCDS00626		HOSE FITTING 1/4 M D. 5- 7	2,00	02/2007		--
0010	FSVR00427		CLAMP D. 12 CLIC 66-110	2,00			--
0011	RCVR08954		ELBOW 1/8"-4 B5	1,00	02/2007		--
0012	TBCO45038		DIESEL HOSE P105 40MT D. 4	1,00			--
0013	TBCO06945		L.P. HOSE D. 6-12 10BAR C.PRESS	0,20	05/2008		--
0013	TBCO06945		L.P. HOSE D. 6-12 10BAR C.PRESS	0,41	02/2007	04/2008	--
0014	MECB18118		CABLE DLT L=1.600	1,00			--
0015	FSVR11197		CLAMP D.I. 11 13315	2,00			--
0016	FTCO34840		FUEL FILTER FB 7/A NYL.	1,00	05/2008		--
0017	TBBP34456		L.P. HOSE L= 180 1/4OC.-LIB.	1,00		04/2008	--
0018	RCDS02612		SCREW G 1/4 A.P.	2,00		04/2008	--
0019	RCVR38072		REDUCTION 3/8-1/4 M/F A4/Z SKD.F	1,00	02/2002	04/2008	--
0019	RCVR02607		REDUCTION 3/8-1/4 M/F	2,00		02/2002	--
0020	FTCO30578		FUEL FILTER 3/8 0.1-SP	1,00		04/2008	--
0021	TBBP44517		L.P. HOSE L= 750 1/4OC.-LIB. 6X12	1,00		04/2008	--
0022	RCDS46247		SUCTION L=210 CPL	2,00	02/2007		--
0022	RCDS20137		SUCTION BODY KSM	1,00	01/2002	02/2007	--
0023	VTRS12821		WASHER D.14X18,7X1,25 1/4 GM	4,00		04/2008	--



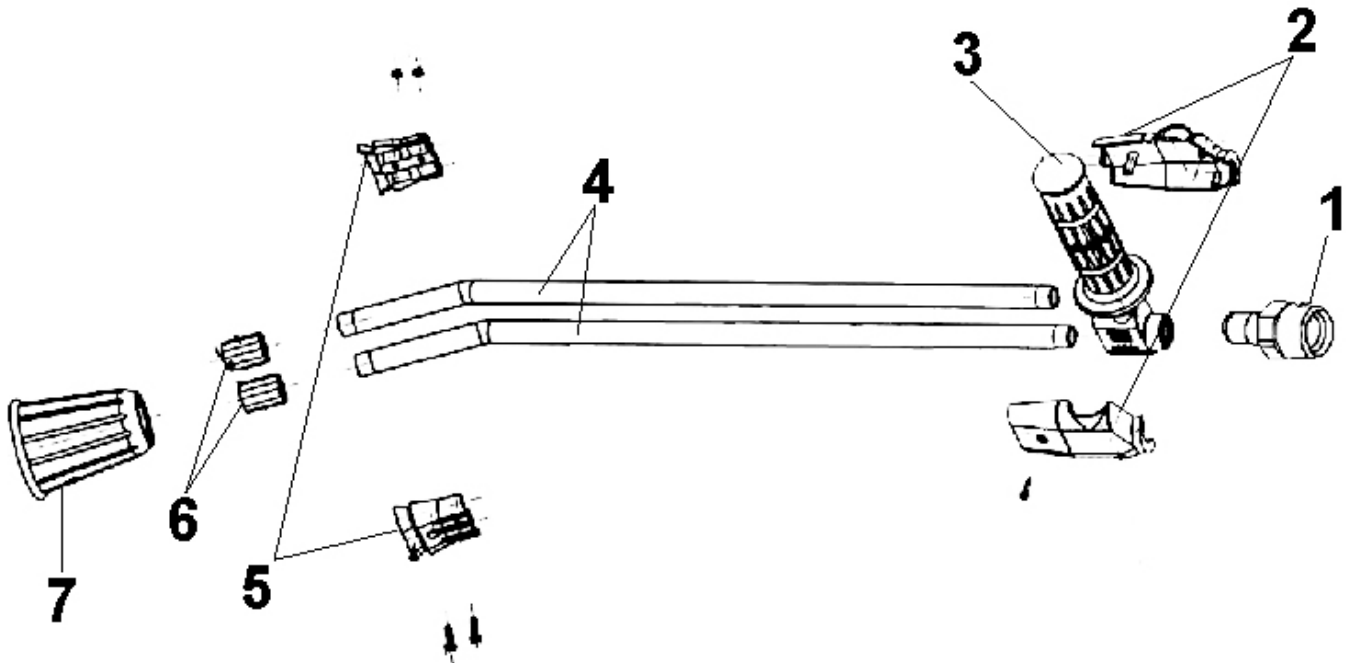
Ref.	K	Part N.	Customer Part N.	Description	Qty	Validity:		Price
						From	To	
K	METT41888			CONTACT SIE N.A. 3RH19 21-1EA11	1,00	10/2001		--
K	METT45024			CONTACTOR SIE 3RT 1026 1AC20 24V	1,00			--
P	MEPF39902			PRESSURE SWITCHMTM 1/4M NA/NC 25B. MICRO	1,00			--
EC	MECE89083			PCB P105 T-ST/MP/LIV. S30*3"	1,00	09/2005		--
EV	MEBE43704			COIL DNF 24-50	1,00	05/2008		--
EV	MEBE48504			COIL DLT 24-50 NF84	1,00	01/2005	04/2008	--
F1	MEVR09010			FUSE 5X20 0,5A	1,00			--
F2	MEVR00237			FUSE 5X20 3,15A	1,00			--
F3	MEVR02824			FUSE 5X20 1A	1,00			--
G1	MECI34444			SWITCH REED N.C.H185 L=1300	1,00		04/2007	--
G1	MECI40001			SWITCH REED N.A.H215 FST+OR	1,00	04/2007	01/2008	--
G1	MECI40005			SWITCH REED N.C.H215 FST+OR	1,00	01/2008		--
IG	MECI40544			COMMUTAT.SWITCH0-1-2 HD12H022-R000	1,00			--
LC	MECE34831			FILTER LC F.AH.DA.3100ZF 6.5A	1,00			--
PA	MEPD45940			DESCALING PUMP NME 1 24V 50/60HZ	1,00	10/2002		--
TA	METR34824			TRANSFORMER 230V-60HZ 2X4000V SP4 CM	1,00	05/2008		--
TH	METK19354			THERMOSTAT 0-150° L=1500	1,00			--
TR	METR11977			TRANSFORMER 35VA 230-400/24 50/60HZ	1,00		02/2008	--
TR	METR40003			TRANSFORMER 35VA 230-400/24 5/60HZ PM	1,00	02/2008		--
TS	METK34839			THERMOSTAT 50°C TR/711-N C.1.5	1,00			--
CV1	MECB40018			CABLE H07RNF 3X6 L.10.00	1,00			--



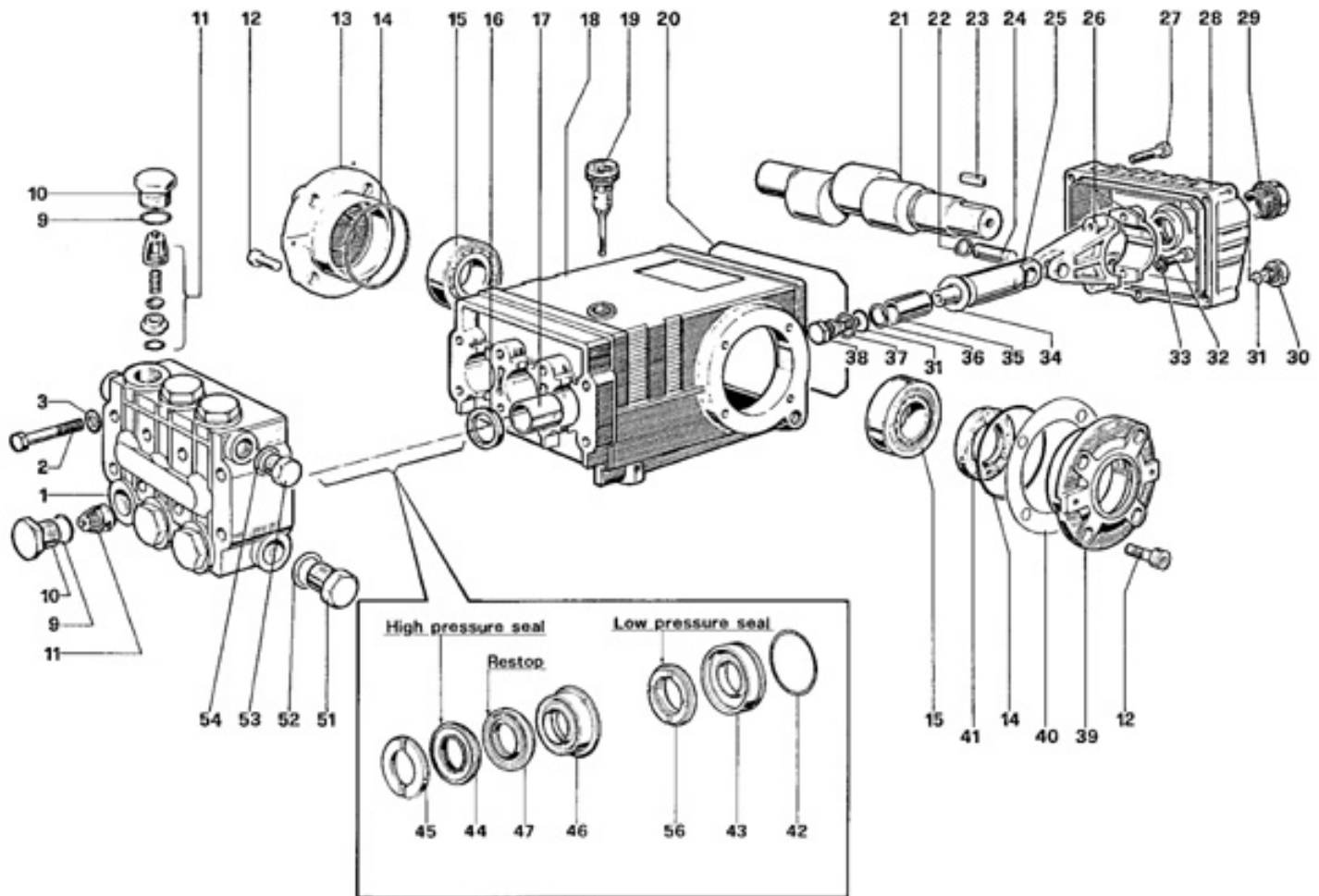
Ref.	K	Part N.	Customer Part N.	Description	Qty	Validity:		Price
						From	To	
0001		VTVR46568		PLUG G 4500	1,00			--
0004		MPVR40157		COVER G 4500 2V.	1,00	05/2008		--
0004		MPVR46563		COVER G 4500	1,00		04/2008	--
0005		MPVR46572		SPACER P 330 ST	1,00			--
0006		LCPR40007		TUBE 1/4 L=352 ZC. 2V.	1,00	05/2008		--
0006		LCPR46571		TUBE 1/4 L=352 ZC.	1,00		04/2008	--
0008		MPVR46569		PLATE G 4500 RD.	1,00			--
0009		MPVR40057		TRIGGER G 4500 -SW	1,00			--
0010		PVVR40030		SMALL PISTON TM ST-2300	1,00			--
0011		GUGO10384		O-RING D. 10 X 2.2 VIT 80SH	1,00			--
0012		RCVR13030		GUDGEON G 1/4 F L=31.5	1,00			--
0013		GUVR10526		ANTI-EXTR.RING D.13.9X10.2 C.BZ	1,00			--
0014		MPVR46570		PROTECTION P 330 ST	1,00			--
0015		PVVR13445		CONNECTION M 22X1,5 L=45	1,00			--
0016		MPVR40058		RING NUT G4500 SW.	1,00			--
0017		RCIN40001		JOINT SWIV 4500 3/8"F	1,00		04/2008	--
0017		RCIN40005		JOINT SWIV 4500 3/8"F 2V.	1,00	05/2008		--
0018		RCIN31641		CONNECTOR SWIV 1500 F	1,00			--
0019		KTRI31645		KIT P 26- 14	1,00			--
0021		PVVR40031		ROD ST-2300	1,00			--
0022		MPVR40156		SHELL G 4500 2V.	1,00	05/2008		--
0022		MPVR46562		SHELL G 4500	1,00		04/2008	--
0023		PVVR40023		TUBE G 1/4" M/M P/SW.	1,00			--
0024		GUGO27021		O-RING D. 11 X 2.5 EPD 70SH	1,00	05/2008		--



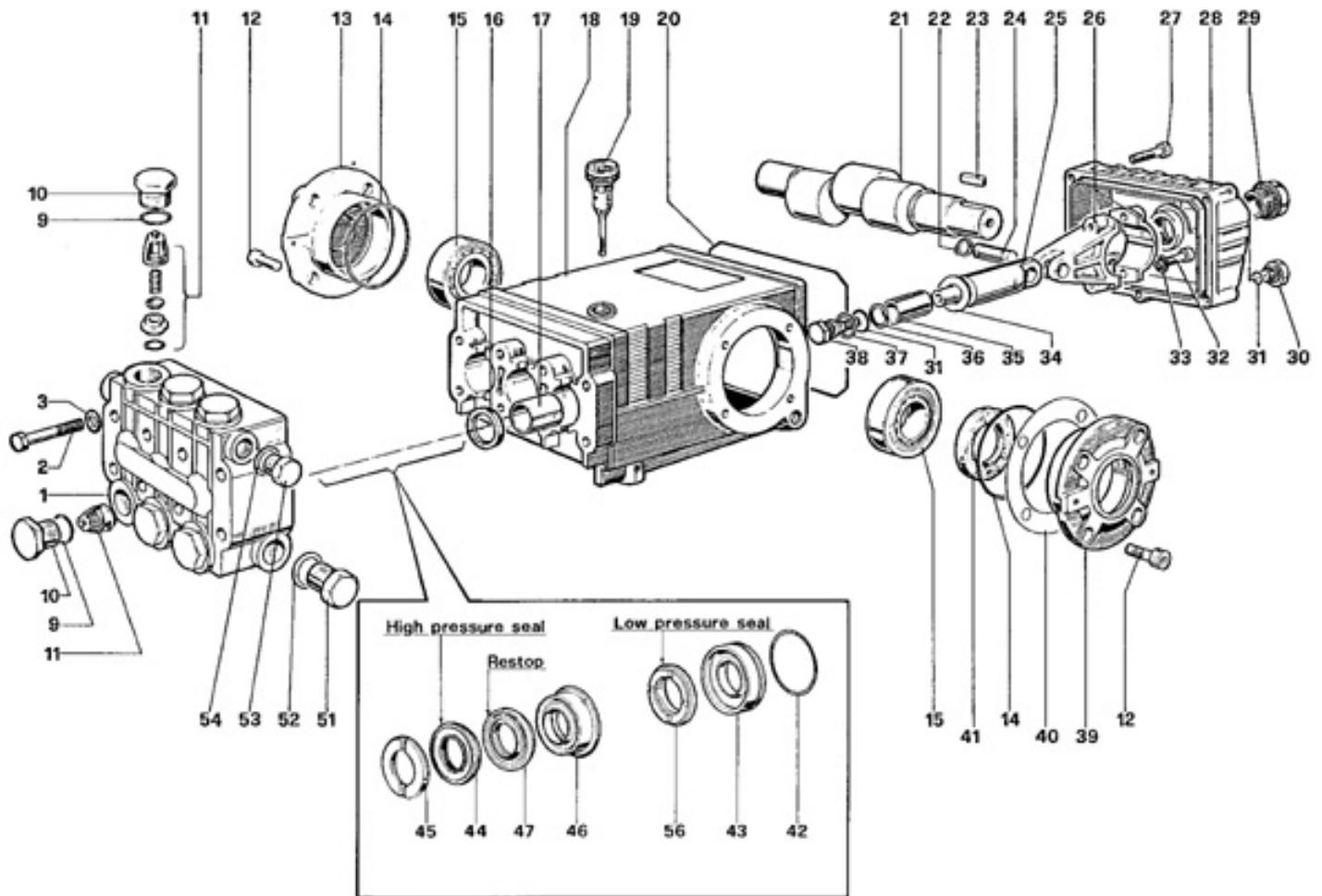
Ref. K	Part N.	Customer Part N.	Description	Qty	Validity: From	To	Price
0001	MPVR40078		HALF BEARING ROLLER 20 P/IN.M22	2,00	05/2008		--
0002	MPVR74140		DISC ROLLER 20/40	2,00			--
0003	MPVR77565		RING ROLLER 20/40	2,00			--
0004	FGGT74143		JOINT ROLLER 20/40	1,00			--
0005	MPVR77567		RING ROLLER	1,00			--
0006	MPVR77568		RING ROLLER	1,00			--
0007	MPVR77569		RING ROLLER	1,00			--
0008	KTRI76783		KIT P ROLLER 20-40	1,00			--
0009	VTDD00483		NUT M 8 ZIN UNI 5588	1,00	03/2004		--
0009	VTDD10776		NUT M 8 X1 UNI 5588	2,00		09/2003	--
0011	MPVR74142		LEVER ROLLER 20/40	1,00			--
0012	VTVR74163		HANDWHEEL VAL-PA M 8 X 30	1,00			--
0013	VTRS00505		WASHER D.10 TE UNI 6592	1,00			--
0014	MPVR74792		KNOB	1,00			--
0015	RCVR74200		SLEEVE ROLLER 20/40	1,00			--
0016	MPVR77566		BUSHING ROLLER 20/40	1,00			--
0017	VTRS00504		WASHER D. 8 TE ZC. UNI 6592	1,00			--
0019	MPVR37542		RUBBER D.E.25 -L.27 70-80SH	1,00			--
0020	VTVT85143		SCREW AF 4X 16 UNI 6954-71 ZN.N	12,00			--
0021	VTVT01520		SCREW AB 4,2X 9,5 UNI 6954-71	9,00			--
0022	VTAE31890		CIRCLIP D. 35 UNI 7435	2,00			--
0023	RCIN75339		SWIVEL RACCORD ROLLER	1,00			--
0025	LAFN74740		BUSHING	1,00			--
0026	GUGO38710		O-RING D. 9.3 X 2.4 VIT 70SH	1,00			--
0027	GUVR72923		ANTI-EXTR.RING 13,9X 10,2	1,00			--
0028	LAFN74737		PIN	1,00			--
0029	RCVR74739		SPACER	1,00			--
0030	RCDS74738		RING NUT M22x1	1,00			--
0031	RCIN74742		COUPLING G 3/8M	1,00			--
0032	MPVR74150		DISC ROLLER 20/40 RD.	2,00			--
0033	MPVR74138		GRIP SHARK	1,00			--
0034	MPVR40573		TANK CAP MHDS-SK	2,00			--
0035	TBAP75441		HOSE-FITTING 3/ 8 L=665 R2 3/8F 90°	1,00			--
0036	LAFN85235		HOSE WIND.SUPP.ADMIRAL	1,00			--
0037	RCIN03753		MALE COUPLING M22-3/8 M-FA	1,00	10/2007		--
0038	RCIN03755		FEMALE COUPLIN.3/8MB	1,00	10/2007		--



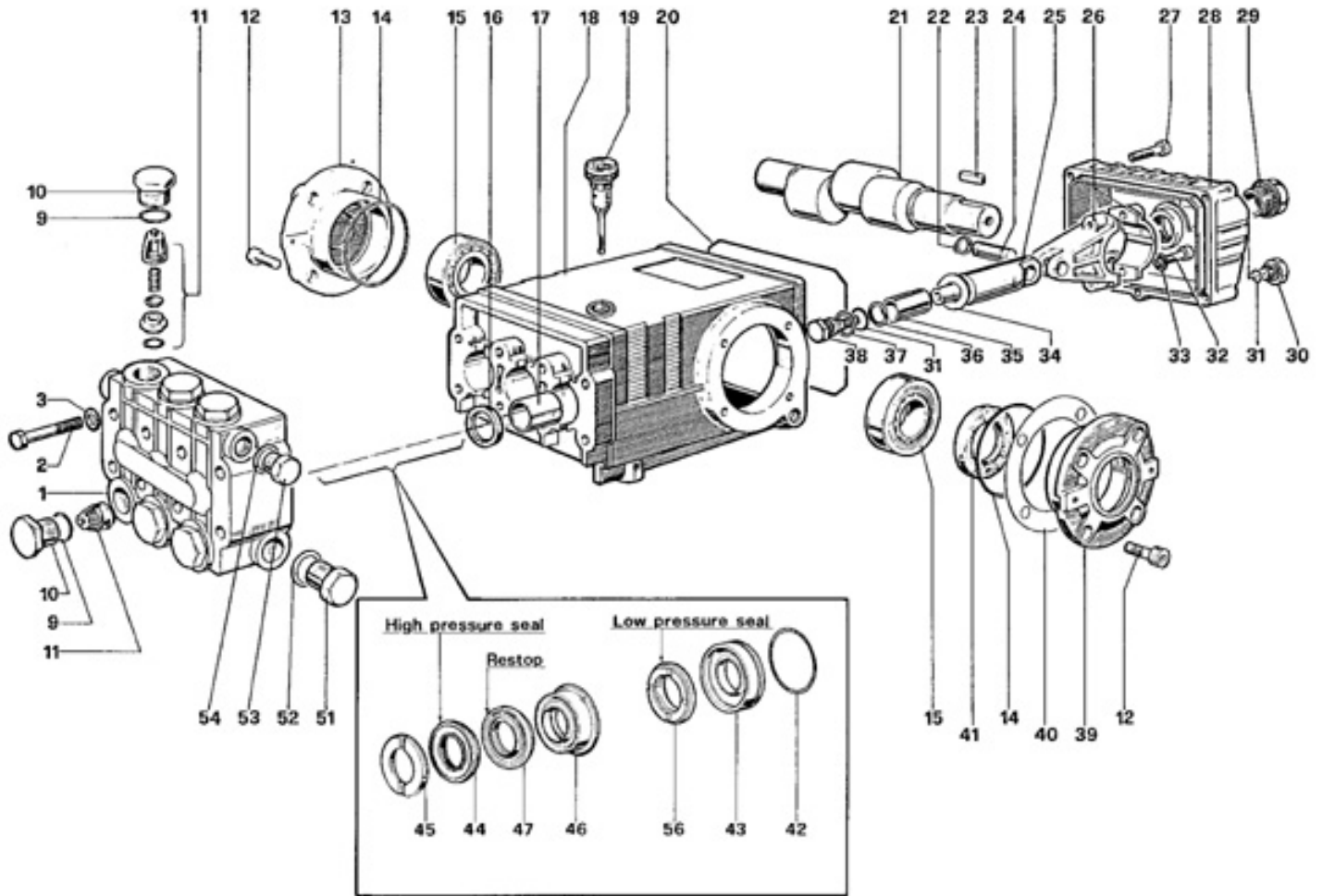
Ref. K	Part N.	Customer Part N.	Description	Qty	Validity:		Price
					From	To	
0001	PVVR45296		COUPLING G 1/4M -M22 M +PR.PLS	1,00			--
0002	MPVR45214		PROTECTION TB.1/4 MTM	1,00			--
0003	RCGR45737		TAP 1/4 F LD MTM	1,00			--
0004	LCPR45740		TUBE 1/8 L=660 INOX MTM	2,00			--
0005	MPVR45001		SHELL LD MTM	1,00			--
0006	RCVR45741		NOZZLE HOLDER 1/4-1/8 F MTM	2,00			--
0007	PVVR43810		PROTECTION L.D. MTM	1,00			--



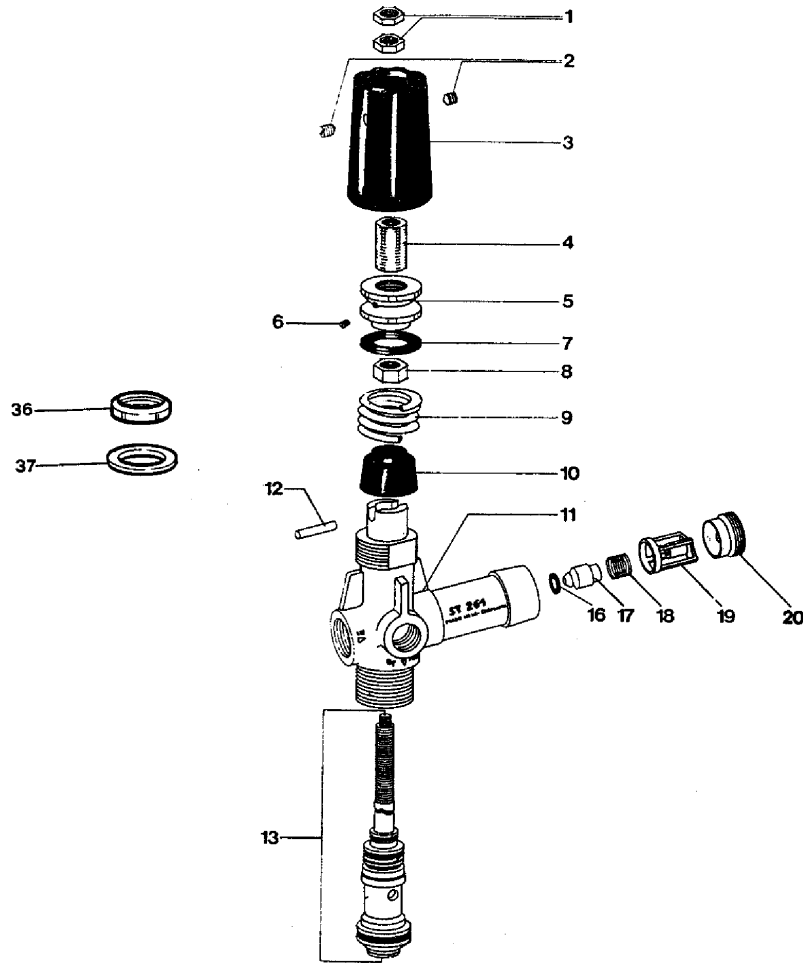
Ref.	K	Part N.	Customer Part N.	Description	Qty	Validity:		Price
						From	To	
0001		MFVR41492		HEAD TS 1511 OT58	1,00			--
0002		VTVT01111		SCREW TE M 8X70 UNI 5737	8,00			--
0003		VTRS01072		WASHER D. 8 TC	8,00			--
0009	S	GUGO01033		O-RING D. 20.24 X 2.62 NBR 90SH	6,00			--
0010	S	RCDS01087		CAP M24X2X16 OTT	6,00			--
0011	S	VVAM01104		VALVE UNIT W 70-151	6,00			--
0012		VTVT01118		SCREW TCEI M 8X16 ZC. UNI 5931	8,00			--
0013		MFVR03576		CRANKASE COVER W151	1,00			--
0014		GUGO01041		O-RING D. 67.95 X 2.62 NBR 70SH	2,00			--
0015		CUVR09205		ROLLER BEARING 32206 A	2,00			--
0016	S	GUGO01000		OIL SEAL 22X 32X 5.5 NBR70	3,00			--
0017		PVVR01011		BUSHING W 151	3,00			--
0018		MFVR41491		PUMP CRANKCASE TS 2011	1,00			--
0019		PVVR01092		OIL DIPSTICK W 151	1,00			--
0020		GUGO34590		O-RING D. 133.02 X 2.62 NBR 70SH	1,00			--
0021		ALMO41530		SHAFT TS 1511 USA	1,00			--
0022		VTAE14016		CIRCLIP D. 12 UNI 7435	6,00			--
0023		VTVR41531		KEY 8X 7X35 UNI 6604A	1,00			--
0024		PVVR01085		GUDGEON D.13X35 W151	3,00			--
0025		PVVR01029		PISTON GUIDE W 151	3,00			--
0026		BLVR01009		CONNECTING ROD W 151	3,00			--
0027		VTVT01116		SCREW TCEI 6X30 UNI5931	5,00			--
0028		MFVR03582		CRANKASE COVER W 151 POS	1,00			--
0029		PVVR01083		OIL INDICATOR G 3/4 W70-151	1,00			--
0030		RCDS01088		CAP 1/4X 9 M WW90	1,00			--
0031	S	GUGO01036		O-RING D. 10.82 X 1.78 NBR 70SH	4,00			--
0032		VTVT01120		SCREW TCEI 8X35 UNI5931	6,00			--
0033		VTRS14242		WASHER D. 8.4X13X0.8 UNI7064 SCH	6,00			--
0034	S	VTRS01753		WASHER D.14X28 X0,5	3,00			--
0035		PIVR01066		PISTON D.20X50 W 151	3,00			--
0036	S	GUVR00994		ANTI-EXTR.RING W151	3,00			--
0037	S	VTRS01076		WASHER D.14X18,5X0,5	3,00			--
0038	S	PVVR01107		PISTON BOLT IP W151	3,00			--
0039		MFVR03583		CRANKASE COVER W151	1,00			--
0040		PVVR01016		THICKNESS 0,1 W 151	2,00			--
0041	S	GUGO01003		OIL SEAL 30X 55X 7 NBR70	1,00			--
0042	S	GUGO01042		O-RING D. 34.6 X 1.78 NBR 70SH	3,00			--
0043	S	PVVR00977		PACKING RETAIN.W151	3,00			--
0044	S	GUVR00981		PACKING W151	3,00			--



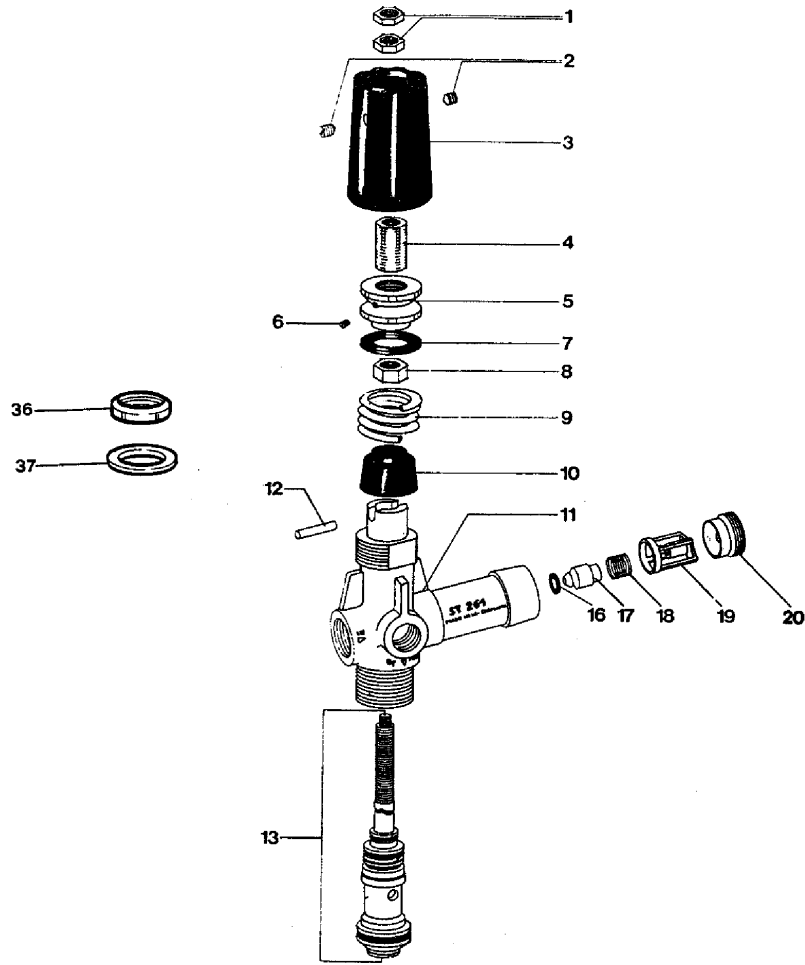
Ref.	K	Part N.	Customer Part N.	Description	Qty	Validity:		Price
						From	To	
0045	S	PVVR00985		HEAD RING W151	3,00			--
0046	S	PVVR34589		INTERMED. RING W 151 D. 20	3,00			--
0047	S	GUVR34587		PACKING D. 20 RESTOP	3,00			--
0051		RCDS01091		CAP 1/2X10 M	1,00			--
0052		VTRS01075		WASHER D.21,5X27 ALL	1,00			--
0053		RCDS01090		CAP 3/8X13 M WW90	1,00			--
0054		VTRS01074		WASHER D.17,05X22,3 X1,5	1,00			--
0056	S	GUVR34585		PACKING W 151 L.P.	3,00			--



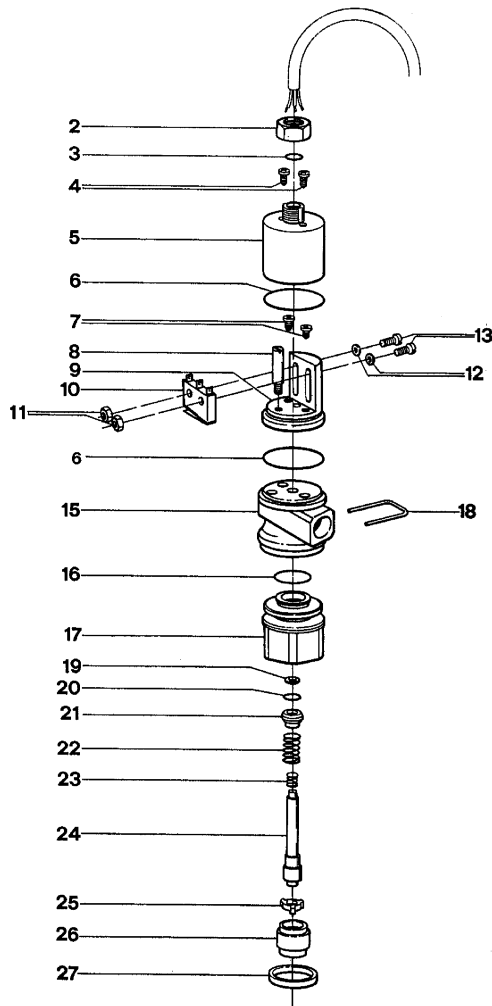
Ref. Part N.	Cust. Part N.	Description	Reference	Price
KTRI14900	KIT P	15- 3	0041	--
KTRI14901	KIT P	10	0042 0043	--
KTRI17793	KIT P	6	0031 0034 0036 0037 0038	--
KTRI17795	KIT P	4	0009 0010	--
KTRI17859	KIT P	1	0011	--
KTRI17860	KIT P	2	0016	--
KTRI18574	KIT P	7	0045	--
KTRI18579	KIT P	28	0042 0043 0044 0045 0046 0047 0056	--
KTRI35429	KIT P	71	0046 0047	--
KTRI36927	KIT P	69	0044 0047 0056	--



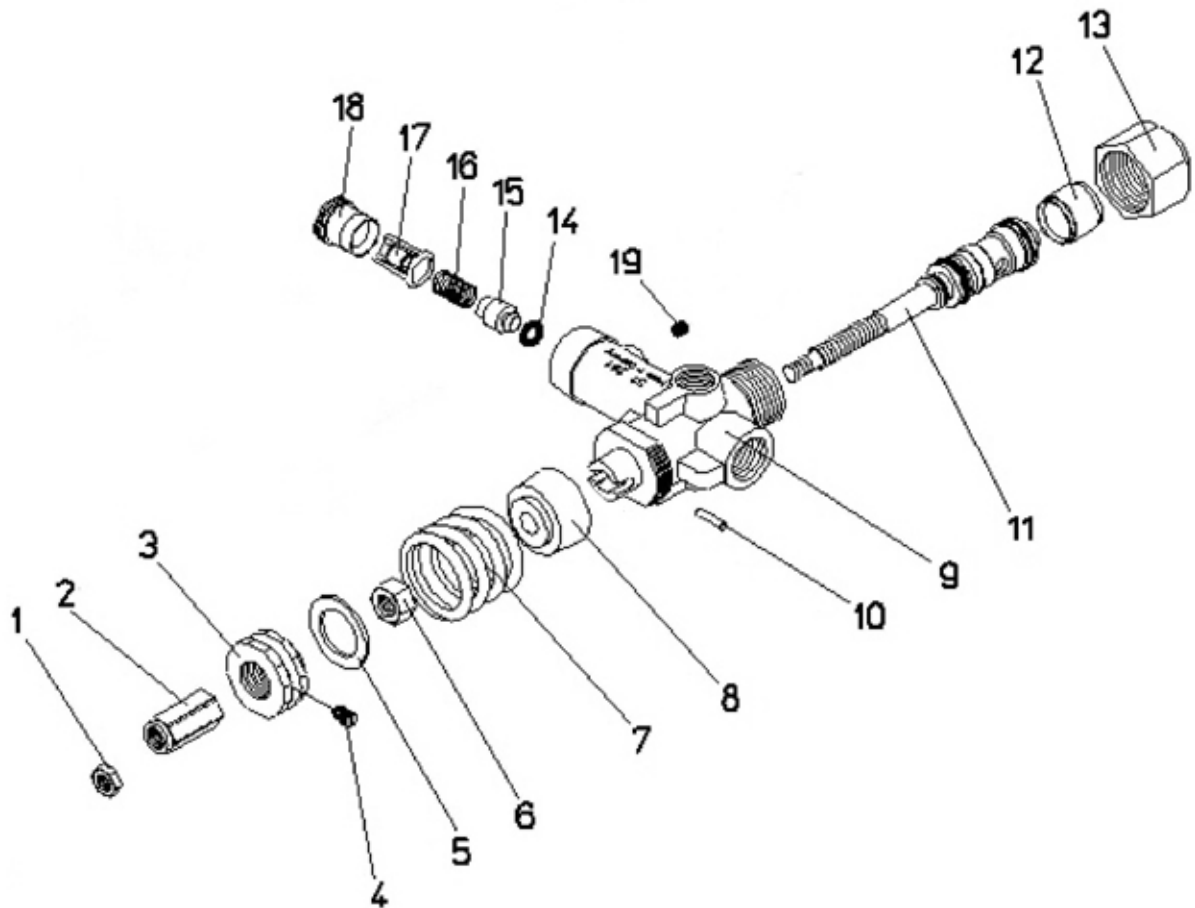
Ref. K	Part N.	Customer Part N.	Description	Qty	Validity:		Price
					From	To	
0001	VTDD14926		NUT M6X1 UNI5589	2,00			--
0002	VTVT08589		SCREW EI-ST 5X 6	2,00			--
0003	MPVR09436		BLACK KNOB ST 260	1,00			--
0004	PVVR14933		SCREW	1,00			--
0005	VTVT14927		SCREW	1,00			--
0006	VTVT14925		SCREW EI-ST 5X 6 UNI5929	2,00			--
0007	GUVR14928		RING	1,00			--
0008	VTDD14930		NUT M8X1 UNI5588	1,00			--
0009	MLML14929		SPRING D.18X4X28	1,00			--
0010	PVVR16955		SPRING SEAT ST	1,00			--
0011	PVVR16956		VALVE BODY ST 261	1,00			--
0012	PVVR16957		PIN D. 3X13 ST	1,00			--
0013	KTRI16958		KIT P 14- 20	1,00			--
0016	S GUGO10373		O-RING D. 5 X 2.5 VIT 80SH	1,00			--
0017	S PVVR08615		VALVE PART	1,00			--
0018	S MLML08616		SPRING	1,00			--
0019	S PVVR08617		VALVE CAGE	1,00			--
0020	PVVR08618		NUT	1,00			--
0036	PVVR10580		NUT	1,00			--
0037	VTRS17544		WASHER D.30X41.5X2 ST	1,00			--



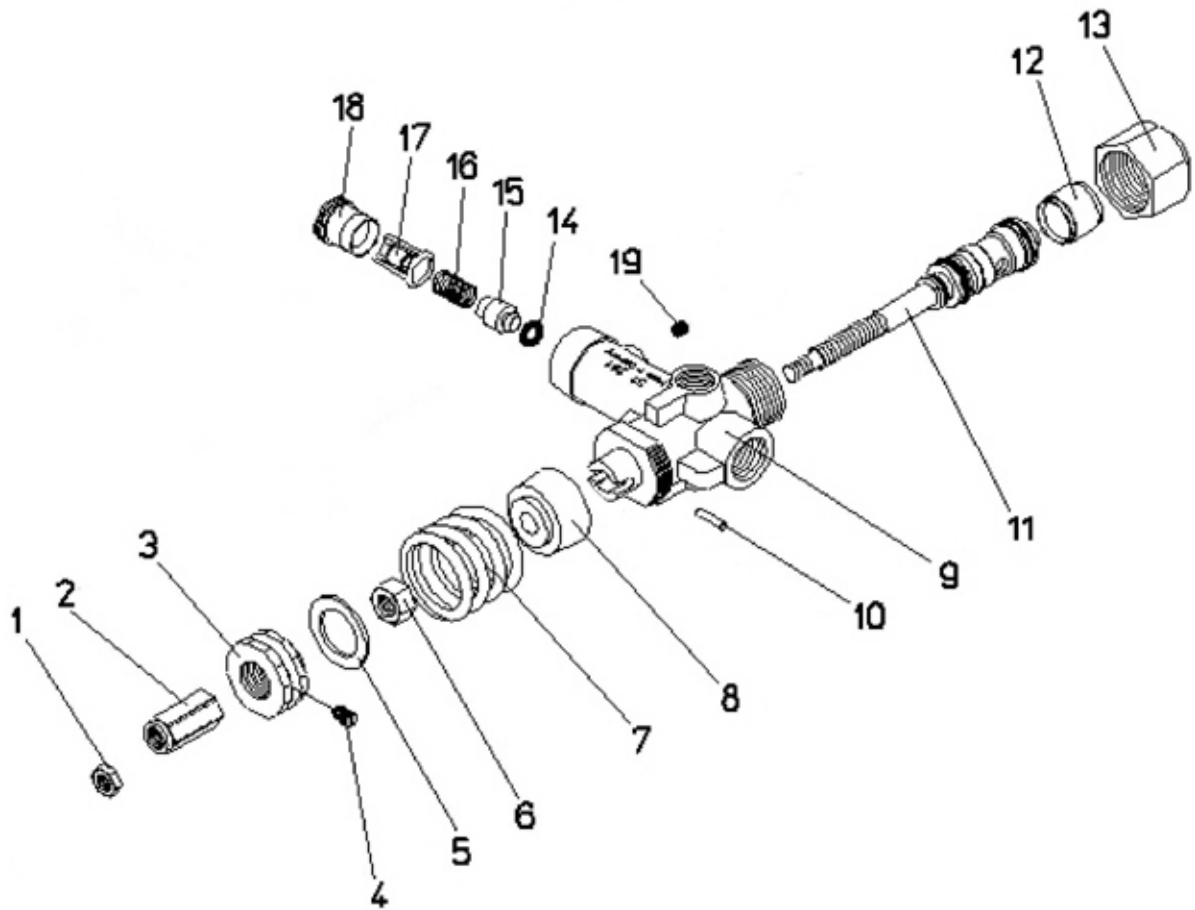
Ref. Part N.	Cust. Part N.	Description	Reference	Price
KTRI14653		KIT P 14- 4	0016 0017 0018 0019	--



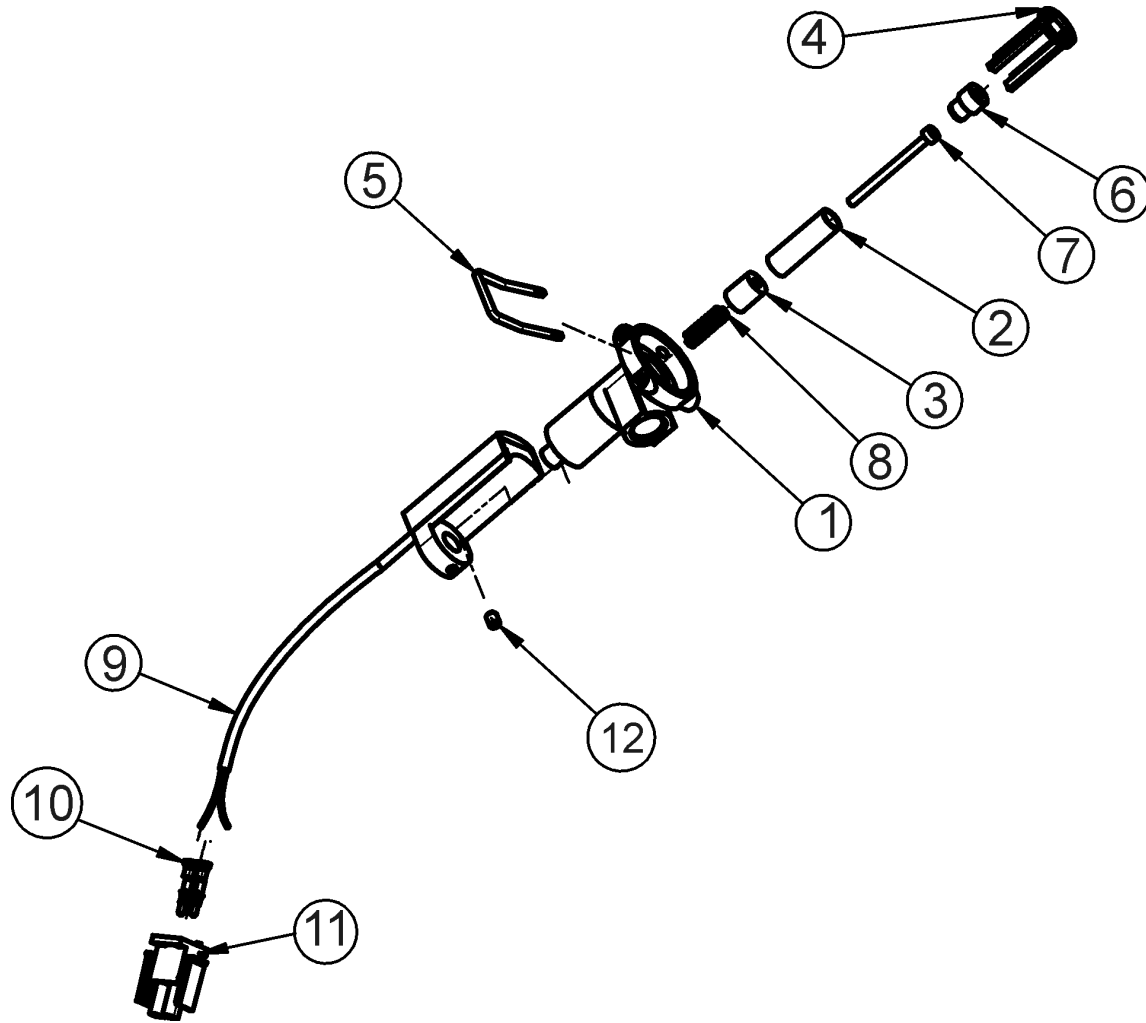
Ref. K	Part N.	Customer Part N.	Description	Qty	Validity:		Price
					From	To	
0002	VTDD08624		NUT ST 260	1,00			--
0003	GUGO10373		O-RING D. 5 X 2.5 VIT 80SH	1,00			--
0004	VTVT08630		SCREW TCB 2,9 X 9,5	2,00			--
0005	PVVR08628		COVERING ST 260 S	1,00			--
0006	GUGO08629		O-RING D. 24 X 1.5 NBR 70SH	2,00			--
0007	VTVT08630		SCREW TCB 2,9 X 9,5	2,00			--
0008	PVVR08631		NUT	1,00			--
0009	PVVR08632		COVERING ST 260 M	1,00			--
0011	VTDD08634		NUT M2	1,00			--
0012	VTRS13332		WASHER OTT	2,00			--
0013	VTVT08643		SCREW	2,00			--
0015	PVVR17568		BODY SW 261	1,00			--
0016	GUGO08609		O-RING D. 15 X 1.5 EPDM70SH	1,00			--
0017	PVVR17569		BODY SW 261	1,00			--
0018	VTVR17570		PLUG ST	1,00			--
0019	GUVR13333		ANTI-EXTR.RING	1,00			--
0020	GUGO07014		O-RING D. 3.3 X 2.4 EPDM80SH	1,00			--
0021	PVVR13334		SPACER OTT	1,00			--
0022	MLML13335		SPRING	1,00			--
0023	MLML08639		SPRING	1,00			--
0024	PVVR17571		ROD ST 261	1,00			--
0025	PVVR08641		PIN GUIDE	1,00			--
0026	PVVR17572		SPACER ST	1,00			--
0027	VTRS17573		WASHER ST	1,00		01/2001	--



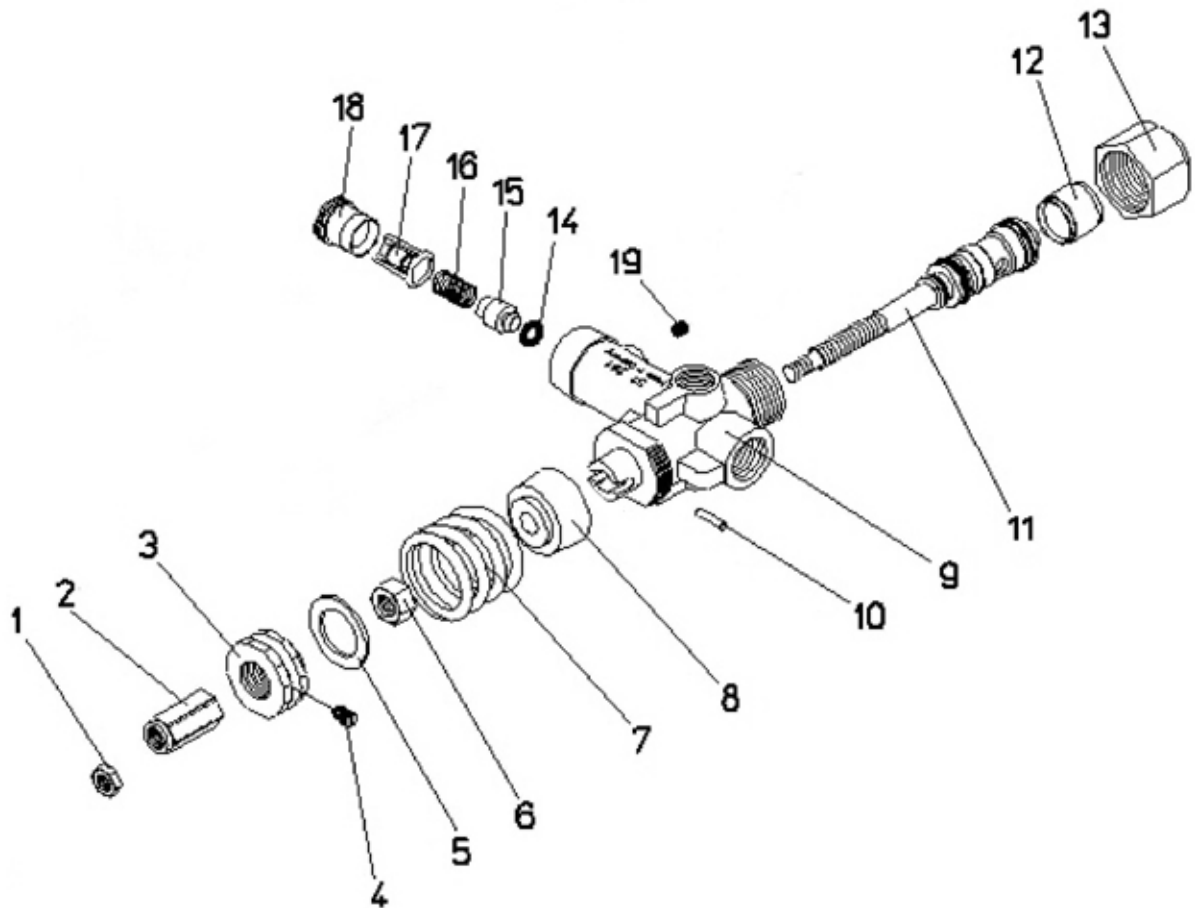
Ref. K	Part N.	Customer Part N.	Description	Qty	Validity:		Price
					From	To	
0001	VTDD14926		NUT M6X1 UNI5589	1,00			--
0002	PVVR14933		SCREW	1,00			--
0003	VTVT14927		SCREW	1,00			--
0004	VTVT14925		SCREW EI-ST 5X 6 UNI5929	1,00			--
0005	GUVR14928		RING	1,00			--
0006	VTDD14930		NUT M8X1 UNI5588	1,00			--
0007	MLML14929		SPRING D.18X4X28	1,00			--
0008	PVVR16955		SPRING SEAT ST	1,00			--
0009	PVVR88455		VALVE BODY ST261.1	1,00			--
0010	PVVR16957		PIN D. 3X13 ST	1,00			--
0011	KTRI16958		KIT P 14- 20	1,00			--
0012	PVVR88456		SPACER ST261.1	1,00			--
0013	PVVR88457		CAP ST261.1	1,00			--
0014	S GUGO10373		O-RING D. 5 X 2.5 VIT 80SH	1,00			--
0015	S PVVR08615		VALVE PART	1,00			--
0016	S MLML08616		SPRING	1,00			--
0017	S PVVR08617		VALVE CAGE	1,00			--
0018	PVVR08618		NUT	1,00			--



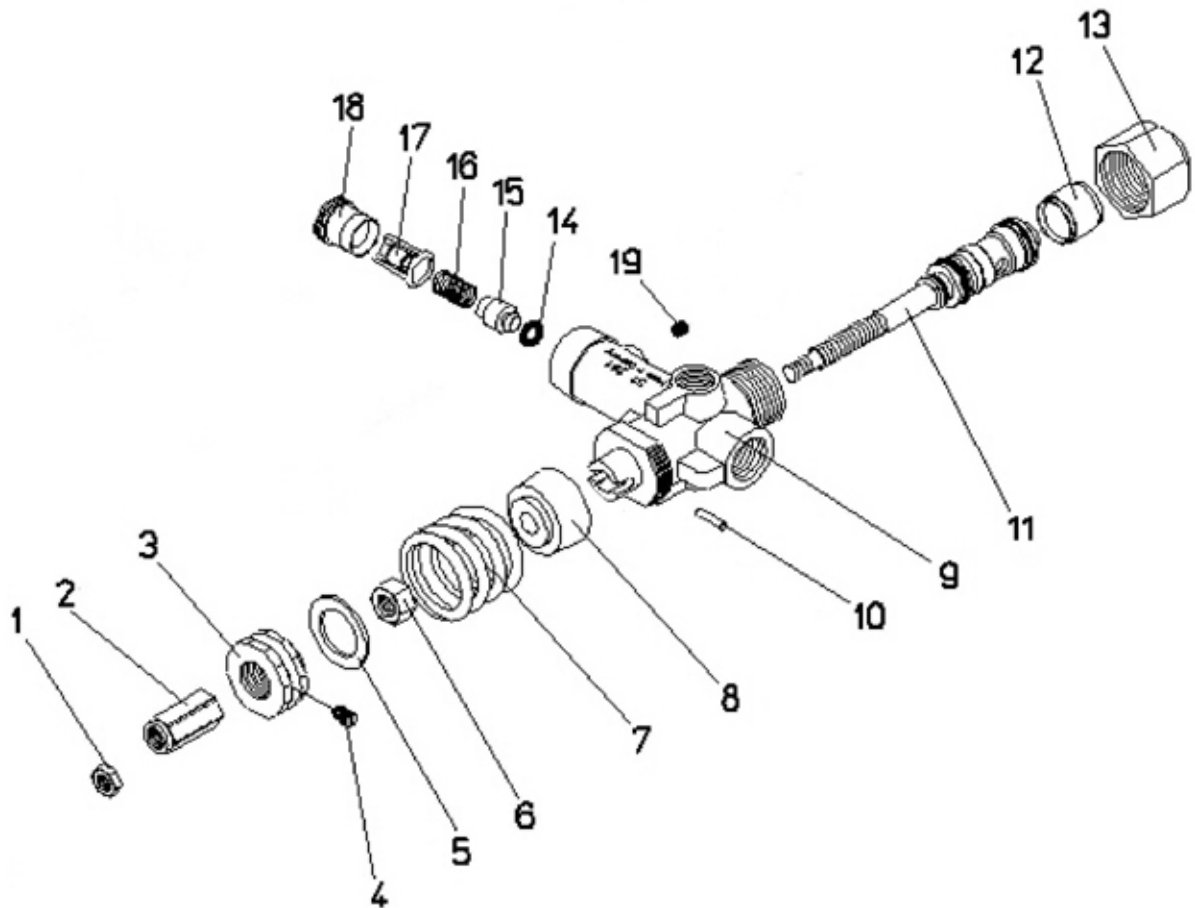
Ref. Part N.	Cust. Part N.	Description	Reference	Price
KTRI14653		KIT P 14- 4	0014 0015 0016 0017	--



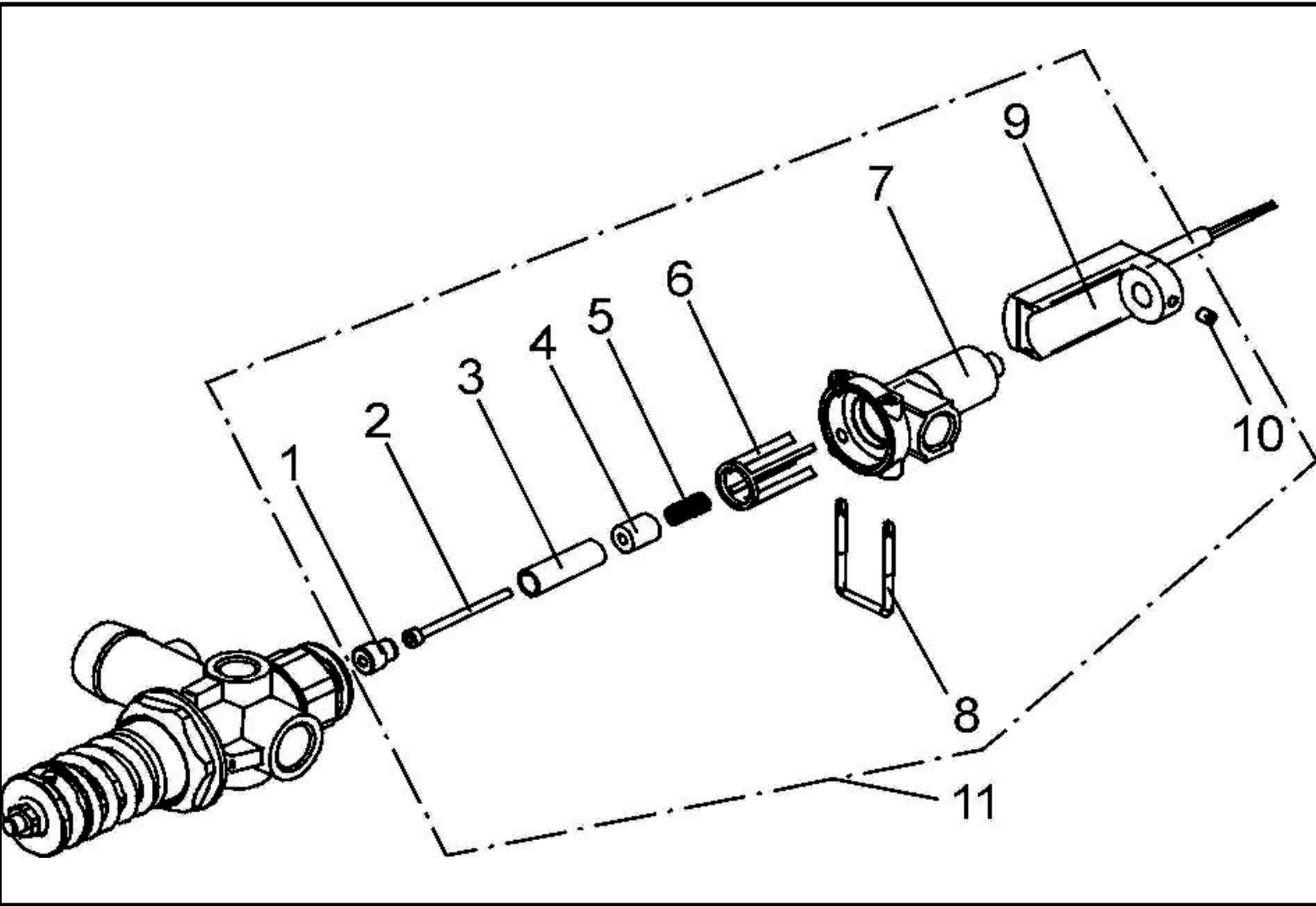
Ref. K	Part N.	Customer Part N.	Description	Qty	Validity:		Price
					From	To	
0001	PVVR88351		BODY RD. ST261.1	1,00			--
0002	PVVR88347		BUSHING REED ST261.1	1,00			--
0003	MEEG88348		ELECTRO-MAGNET RD. ST261.1	1,00			--
0004	PVVR88350		VALVE GUIDE RD. ST261.1	1,00			--
0005	VTVR17570		PLUG ST	1,00			--
0006	PVVR88345		PIPE RD. ST261.1	1,00			--
0007	PVVR88346		PUSH ROD REED ST261.1	1,00			--
0008	MLML88349		SPRING RD. ST261.1	1,00			--
0009	MECI88352		SWITCH REED ST261.1 -2WR.	1,00			--
0010	MEVR49241		WIRE TERMINAL TERM. M UNIV."B" D.0.5-2	2,00			--
0011	MEVR86431		CONNECTOR 2 P M MATE-N-BLOK	1,00			--
0012	VTVT08589		SCREW EI-ST 5X 6	1,00			--
9999	MEPF40004		PROBE REED ST261.1 -2WR.+CNN.	1,00			--



Ref. K	Part N.	Customer Part N.	Description	Qty	Validity:		Price
					From	To	
0001	VTDD14926		NUT M6X1 UNI5589	1,00			--
0002	PVVR14933		SCREW	1,00			--
0003	VTVT14927		SCREW	1,00			--
0004	VTVT14925		SCREW EI-ST 5X 6 UNI5929	1,00			--
0005	GUVR14928		RING	1,00			--
0006	VTDD14930		NUT M8X1 UNI5588	1,00			--
0007	MLML14929		SPRING D.18X4X28	1,00			--
0008	PVVR16955		SPRING SEAT ST	1,00			--
0009	PVVR88455		VALVE BODY ST261.1	1,00			--
0010	PVVR16957		PIN D. 3X13 ST	1,00			--
0011	KTRI16958		KIT P 14- 20	1,00			--
0012	PVVR88456		SPACER ST261.1	1,00			--
0013	PVVR88457		CAP ST261.1	1,00			--
0014	S GUGO10373		O-RING D. 5 X 2.5 VIT 80SH	1,00			--
0015	S PVVR08615		VALVE PART	1,00			--
0016	S MLML08616		SPRING	1,00			--
0017	S PVVR08617		VALVE CAGE	1,00			--
0018	PVVR08618		NUT	1,00			--



Ref. Part N.	Cust. Part N.	Description	Reference	Price
KTRI14653		KIT P 14- 4	0014 0015 0016 0017	--



Ref. K	Part N.	Customer Part N.	Description	Qty	Validity:		Price
					From	To	
0001	PVVR88345		PIPE RD. ST261.1	1,00			--
0002	PVVR88346		PUSH ROD REED ST261.1	1,00			--
0003	PVVR88347		BUSHING REED ST261.1	1,00			--
0004	MEEG88348		ELECTRO-MAGNET RD. ST261.1	1,00			--
0005	MLML88349		SPRING RD. ST261.1	1,00			--
0006	PVVR88350		VALVE GUIDE RD. ST261.1	1,00			--
0007	PVVR88351		BODY RD. ST261.1	1,00			--
0008	VTVR17570		PLUG ST	1,00			--
0009	MECI88352		SWITCH REED ST261.1 -2WR.	1,00			--
0010	VTVT08589		SCREW EI-ST 5X 6	1,00			--
0011	MEPF88344		PROBE REED ST261.1 -2WR.	1,00			--