

Hospital Vacuum

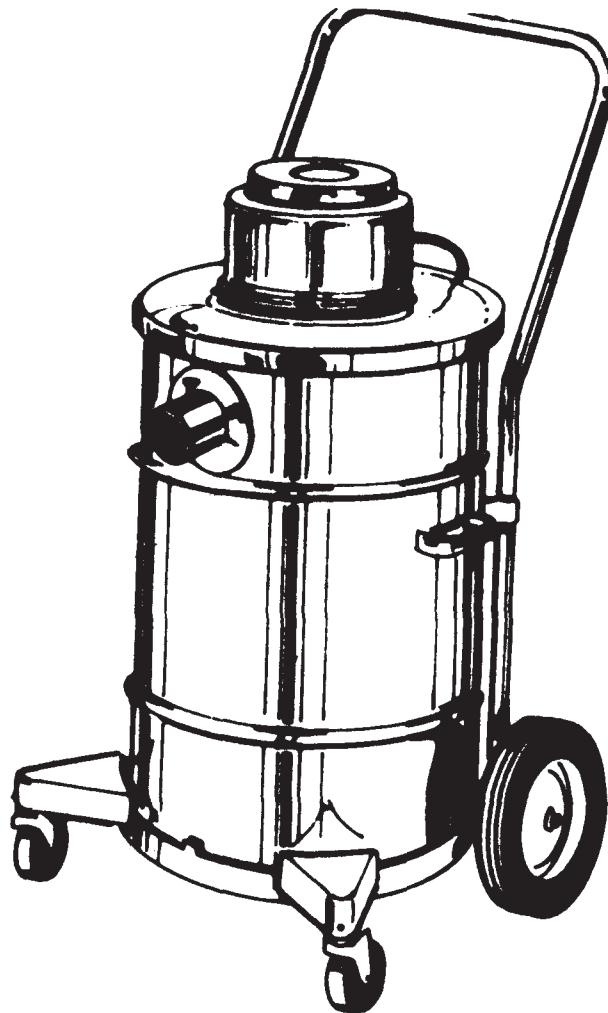
Model:
C80415-01, 02, 03, 04

OPERATION

SERVICE

PARTS

CARE



Revised 6/02

Minuteman[®]

OPERATING INSTRUCTIONS

INSPECTION

Carefully unpack and inspect your machine for shipping damage. Each unit is tested and thoroughly inspected before shipment, and any damage is the responsibility of the delivering carrier who should be notified immediately.

WARNING

To avoid electric shock, do not expose to rain, store indoors.

Electric motors can cause explosions when operated near explosive materials or vapors. Do not operate this machine near flammable materials such as solvents, thinners, fuels, grain dust, etc.

SPECIAL WARNING TO PURCHASER

Use of replacement filters and/or prefilters not manufactured by Hako Minuteman, Inc. or its designated licensees, will void all warranties expressed or implied. A potential health hazard exists without exact original equipment replacement.

ELECTRICAL

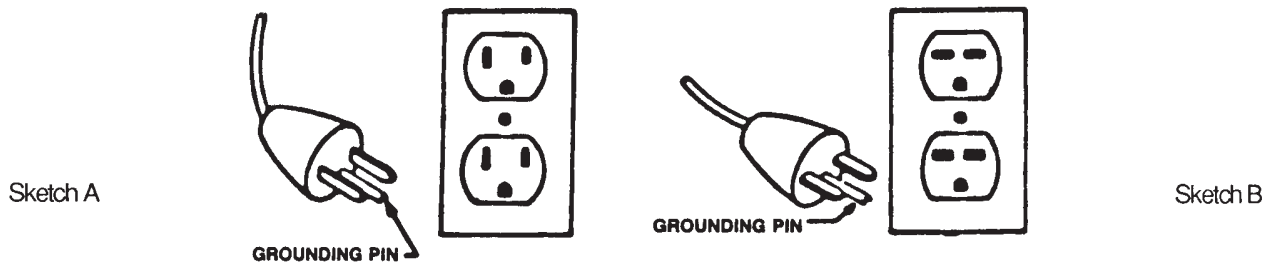
This machine is designed to operate on a standard 15 amp, 115 volt, 60 hz, AC circuit. Voltages below 105 volts AC or above 125 volts AC could cause serious damage to the motor.

GROUNDING INSTRUCTIONS

To protect the operator from electrical shock, this machine must be grounded while in use. This machine is equipped with an approved three-conductor power cord and grounding type plug to fit the proper grounding type receptacle.

This machine is for use on a nominal 120 volt circuit and has a grounding plug that looks like the plug illustrated in Sketch A. Make sure that the machine is connected to an outlet having the same configuration as the plug. No adaptor should be used with this machine.

For equipment rated 150-250 volts: If the machine is provided with an attachment plug as shown in Sketch B, it is intended for use on a 240 volt (nominal) circuit. No adaptor is available for this plug.



EXTENSION CORDS

If an extension cord is used, the wire size must be at least one size larger than the power cord on the machine and must be limited to 25 feet in length. Extension cord must be three-wire grounded.

MAINTENANCE AND USAGE

Keep the motor intake cooling air screen clean. If this screen (on top of the motor) becomes clogged, it restricts the flow of cooling air to the motor and will cause overheating.

No lubrication of the motor is required. Machine is equipped with sealed bearings.

For optimum performance, empty and clean filter bag regularly. A clogged and dirty bag restricts the flow of air and results in reduced vacuum.

Check carbon brush periodically. Replace when worn down to approximately 1/2" in length.

For liquid pickup, remove the dry dust filter bag. Check the automatic shut-off to be certain it is working properly.

Do not operate the machine without removing coiled electric cable from around the motor head so as not to restrict the flow of exhausted cooling air and to prevent overheating.

Always unplug the machine when removing the motor head off the tank. This will prevent the accidental starting of the motor and the possibility of fingers or objects getting into the unprotected impeller intake.

OPERATION AND FILTER CARE INSTRUCTIONS

Minuteman Model X380-15 Hospital Vacuum is a wet/dry recovery vacuum and comes equipped with a micro-safe filters which will reduce the incidence of airborne dust and bacteria that would be created by any other method of cleaning.

Do not, at any time, attempt to bypass, remove, substitute, or by any other means change the filters used in this vacuum. Use only Minuteman filters and prefilters for replacements.

Before attempting to use and before cleaning, be certain that you fully understand the instructions given for the setting up or cleaning/changing of filters of this vacuum.

Since each facility has its own individual and unique cleaning problems, it is suggested that you check with your housekeeping supervisor to determine the length of time between filter changes and disposal of debris.

TANK/FILTER SET UP PROCEDURE FOR DRY PICKUP

(Follow schematic on page 4, figure 1)

1. Take the paper filter protector bag, item 3, and insert it into the tank. Snap the elastic band around the rim of the tank (about two inches of the bag should be outside the tank).
2. Place the cloth filter bag, item 2, onto and into tank using the formed rubber gasket as a guide. Press down firmly onto the tank rim.
3. Position vacuum lid assembly, item 1, onto the tank making sure the gasket of the lid is seated onto the rubber ring of the cloth bag frame completely around the tank.
4. Snap the tank lid latches into place locking down the lid assembly. Vacuum is ready for use.

PROCEDURE FOR CLEANING VACUUM AND DISPOSING OF DEBRIS

It is important that you check with your housekeeping supervisor for the disposal of the debris collected by your hospital vacuum. Follow the disposal procedure as outlined for your particular application.

1. Unplug machine from power source.
2. Loosen lid latches and carefully remove vacuum lid only.
3. Remove cloth filter bag from tank.
4. Carefully remove paper filter bag protector from around tank rim and place into disposal bag or container.
5. Empty vacuum tank debris into disposal bag or container as recommended by your housekeeping department.
6. Check and replace pink micro-safe filter on underside of lid as may be required. Check filter each time you empty vacuum tank. Premature loading of microfilter may indicate that cloth filter bag, or filter bag protector may be torn or inadvertently left out of vacuum.
7. Reassemble vacuum by following set up procedure for dry pickup above.

SET UP PROCEDURE FOR WET PICKUP

(Follow schematic on page 5, fig. 2)

1. Loosen lid latches and remove vacuum lid from tank.
2. Remove filter bag and filter bag protector from tank.
3. Empty tank of all debris. Wipe down inside of tank with wet towels to remove all traces of dust.
4. Place water shutoff assembly #6 into tank, centering gasket around tank rim.
5. Before placing vacuum motor lid assembly #1 onto tank, check to be sure there is a clean pink microfilter on underside of lid assembly. Place motor lid on tank and secure with lid latches.
6. Water shutoff will allow you to recover approximately 10 gallons of water before you are required to empty tank.
7. To empty tank, remove vacuum lid assembly, adaptor and water shutoff. An optional dump valve is available for installation on the vacuum tank.
8. When converting vacuum to dry recovery, the tank must be completely dry before installing filter bag protector and cloth bag filter.
9. Lint trap bag #9, page 6, should be removed and rinsed out when necessary. Detach and remove spring retainer #10 to remove bag.

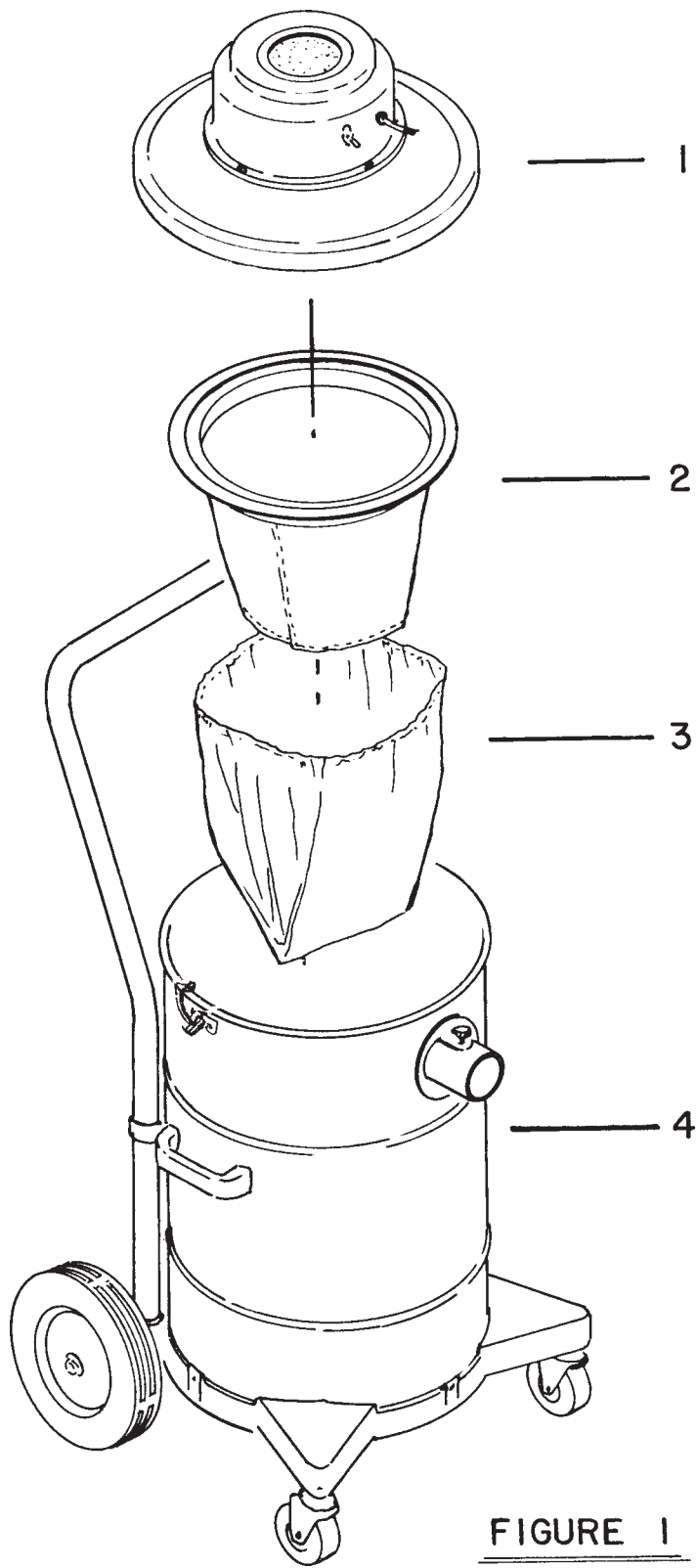


FIGURE 1

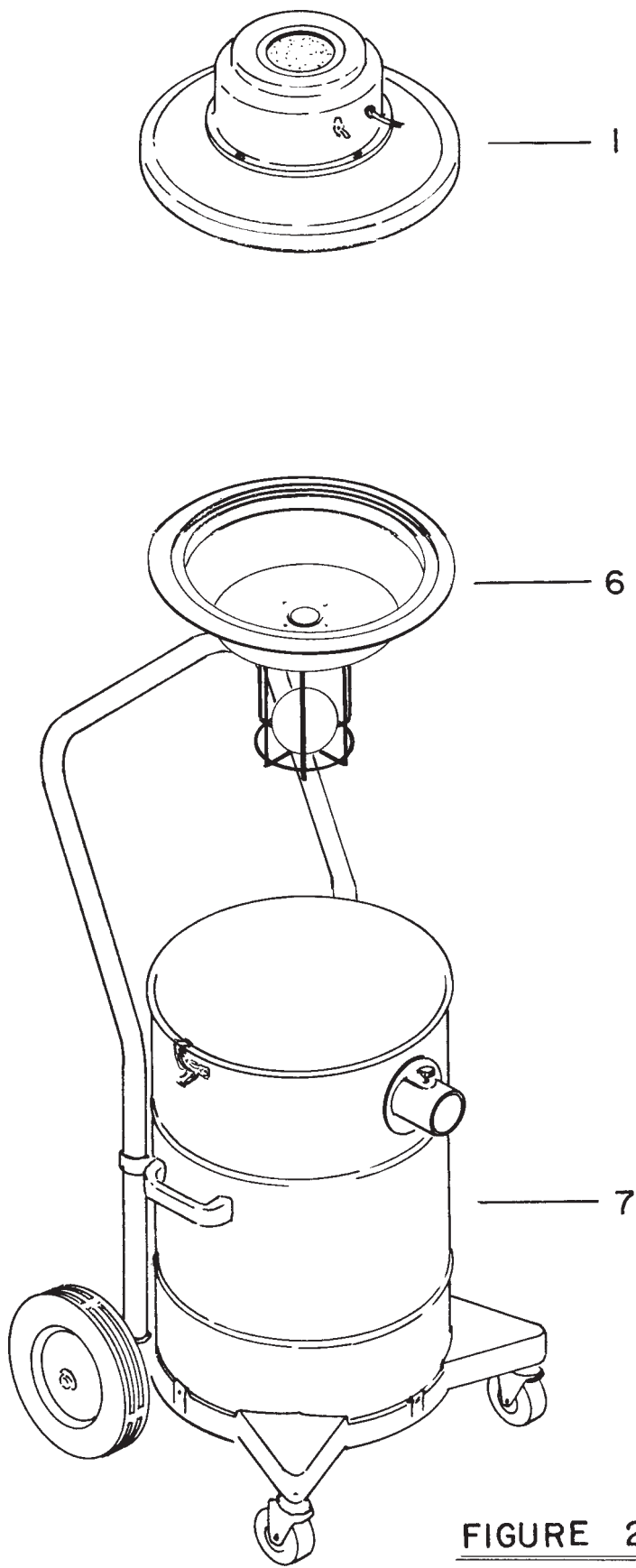
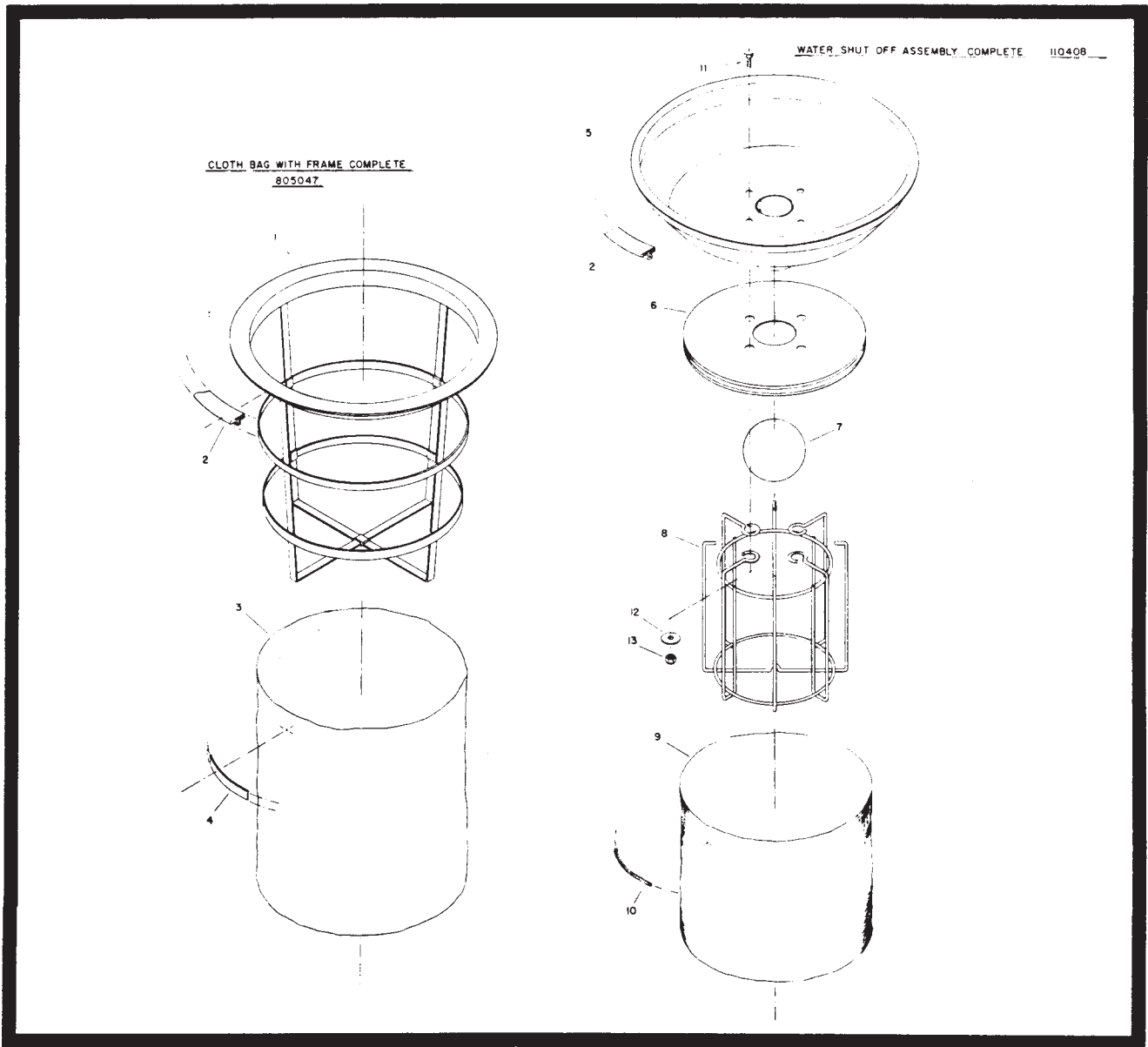
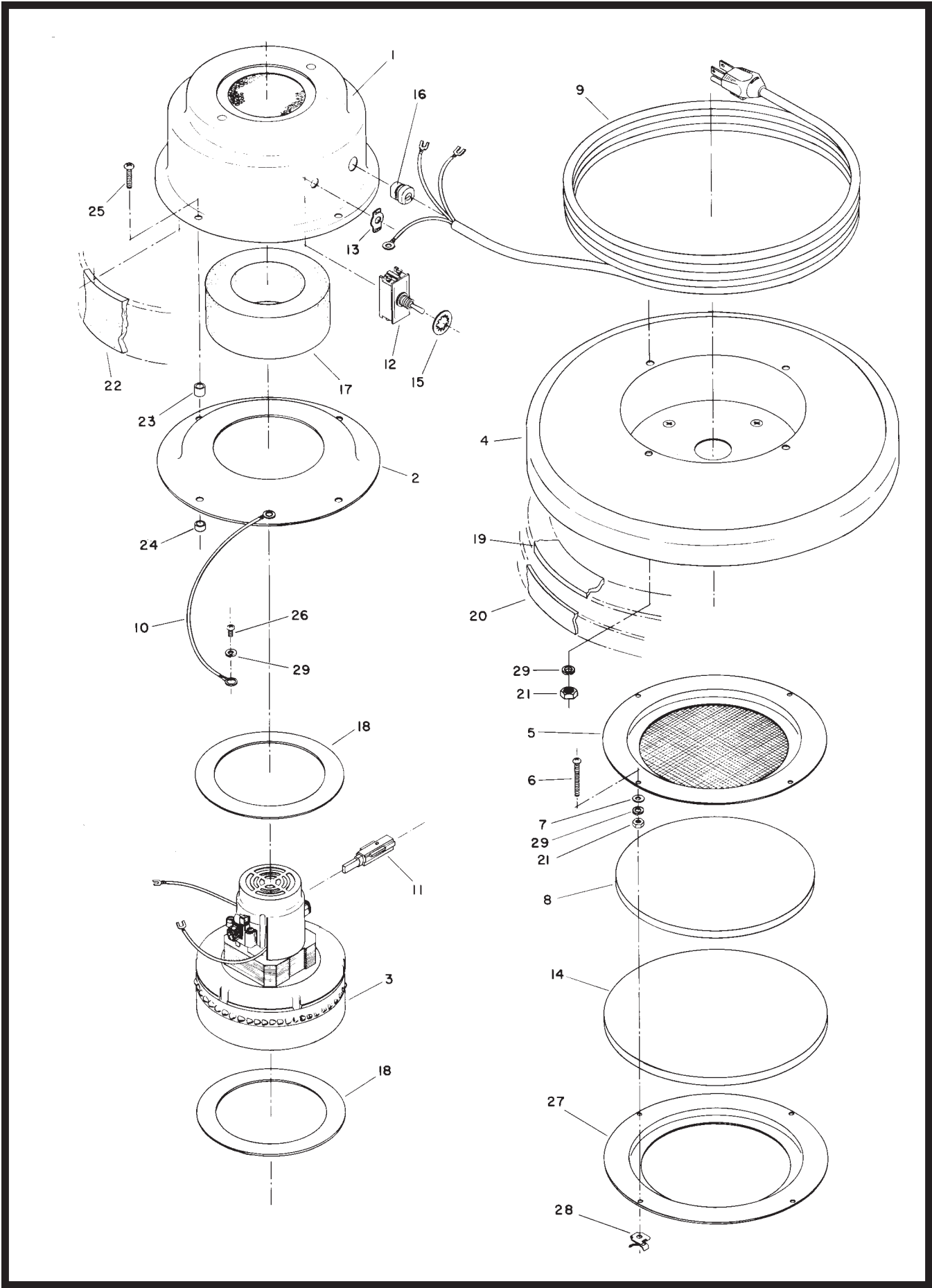


FIGURE 2



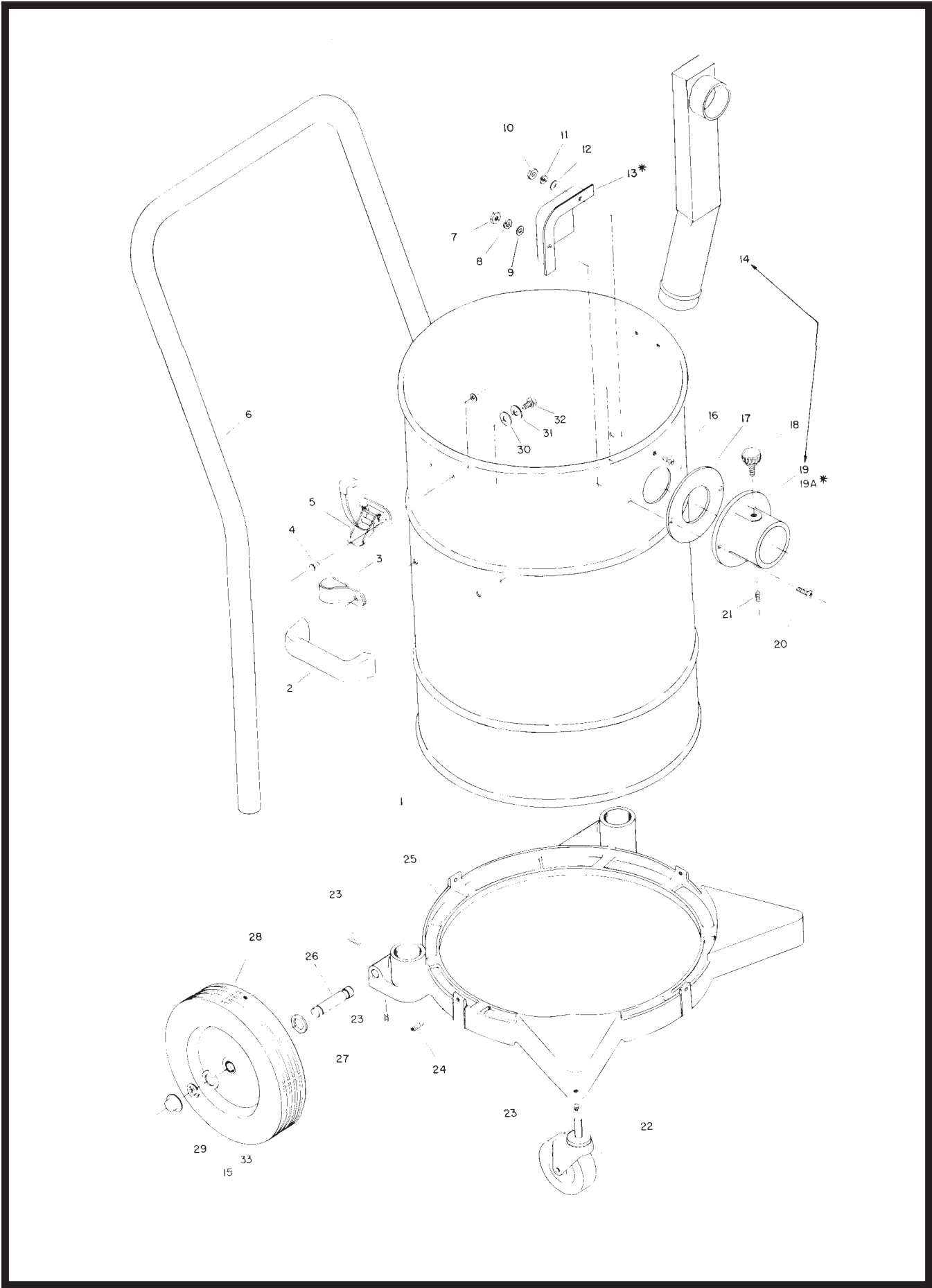
PARTS LISTING

ITEM NO.	PART NO.	QUANTITY	DESCRIPTION
1	500041PTD	1	Bag Frame
2	805018	1	Gasket
3	805036	1	Bag Only
4			Banding Material
5	750405	1	Assembly-Plate Water Shut-Off
6	760231MCH	1	Ring, Bag Retainer
7	380046	1	Ball, Float
8	380045CTD	1	Cage Float Assembly
9	760234	1	Lint Trap Bag
10	760260	1	Spring, Retainer
11	711203	4	BLT, 1/4-20 x .50 HHMS
12	711519	4	WSR, Flat 1/4 ID x 1" OD
13	711373	4	Nut, Nyloc 1/4-20



PARTS LISTING

ITEM NO.	PART NO.	QUANTITY	DESCRIPTION
1	750414	1	Dome Weldment
2	750000	1	Asy Motor Hold Down
3	380001	1	Motor, 120 V
3a	380054	1	Motor, 230 V
4	750597	1	Asy, Lid Sub includes 19, 20
5	750386	1	Filter Retainer
6	710365	4	SCR-MC 10-32 x 1 3/4
7	711503	4	WSR, Flat #10
8	110121	1	Filter, Microstat-Small
9	381020	1	Cord Set, 16-3 50 Feet
10	750002	1	Ground Wire Asy.
11	380028	2	Carbon Brushes/380
12	380002	1	Switch, Toggle 1.5 HP
13	101020	1	Plate, Off/On Indicator
14	808006	1	Filter, Microstat-Large
15	711556	1	WSR LOC 1/2 Internal
16	380004	1	Relief, Strain
17	380064	1	Ring, Foam
18	380035	2	Gasket, 4.31 x 5.81 x .19
19	480052	1	Gasket, RBR .25 x .87 x .50
20	480053	1	Ring, Rubber Locating
21	711310	8	Hex-Nut 10-32
22	380040	1	Felt, 25 x 2.5 x 25
23	380061	4	Bushing
24	380037	4	Bushing
25	710360	4	SCR-MC 10-32 x 1.00 ST PL
26	710353	1	SCR-MC 10-32 x .37 ST PL
27	255046	1	Retainer Filter
28	711410	4	Tinner Speed Clip 10-32
29	711543	8	WSR-Lock #10
***	380125	1	Lid Asy Micro Filter Vac 220 V
***	380230	1	Lid Asy Micro Filter Vac 115 V



PARTS LISTING

ITEM NO.	PART NO.	QUANTITY	DESCRIPTION
1	900003POL	1	Tank, Polished 15 Gal SS
1A	900001	1	Tank, PTD 15 Gal
2	900031POL	2	Handle, Tank Polished
3	900038	2	Clamp, Handle
4	711915	4	Rivet .19 x .28 x .37HD STNI
5	761054	2	Latch
6	900037PLT	1	Handle, Plated Common
7	711310	2	Nut, Hex 10-32 ST PL
8	711543	2	WSR, Helical SPR LOC #10
9	711503	6	WSR, Flat #10
10	711304	1	Nut, Hex 8-32
11	711542	1	Washer LOC #8
12	711502	1	Washer FLT #8
13	900035	1	Deflector
14	750498	1	Down Tube
15	711713	2	Retaining Ring E Type
16	710530	1	SCR-MC 8/32 x .50
17	900036	1	Gasket
18	500033	1	Knob
19	900113POL	1	Intake Polished for Item #14
19A	900112POL	1	Intake Polished for Item #13
19B	900113PLT	1	Intake Plated MRS only for Item #14
20	710356	2	MCR-MC 10-32 x .62 ST PL
21	711005	1	Screw, Set 1/4-20 x .31
22	900033	2	Caster, Swivel
23	711005	4	SCR, Set 1/4-20 x .31
24	711006	4	SCR, Set 1/4-20 x .62
25	760984PTD	1	BKT, Wheel
26	900066	2	Axle
27	711582	2	WSR, Wave
28	900040	2	Wheel
29	130032	2	Cap, Retainer
30	711591	4	Washer, Rubber
31	711505	4	WSR, Flat 1/4
32	711203	4	BLT, HH 1/4-20 x .62
33	711594	2	Washer FLT
***	750322		Wheel Bkt Asy Complete
***	750221		Tank Asy Comp SS w/Down Tube
***	750220		Tank Asy Comp Painted w/Down Tube
***	750382		Tank Asy Comp SS w/Deflector
***	750381		Tank Asy Comp PTD w/Deflector

LIMITED WARRANTY

Minuteman International, Inc. warrants to the original purchaser/user that this product is free from defects in workmanship and materials under normal use and service for a period of three years from date of purchase. In addition, Minuteman International, Inc. will, at its option, honor labor warranty claims for the first 12 months from date of sale, provided such claims are submitted through and approved by factory authorized repair stations. Minuteman International, Inc. will, at its option, repair or replace without charge, except for transportation costs, parts that fail under normal use and service when operated and maintained in accordance with the applicable operation and instruction manuals.

This warranty does not apply to normal wear, or to items whose life is dependent on their use and care, such as belts, cords, switches, hoses, rubber parts, electrical motor components or adjustments. Parts not manufactured by Minuteman International, Inc. such as engines, batteries, battery chargers, hydraulic pumps, and tires are covered by and subject to the warranties and/or guarantees of their manufacturers. Please contact Minuteman International, Inc. for procedures in warranty claims against these manufacturers.

Special warning to purchaser — Use of replacement filters and/or prefilters not manufactured by Minuteman International, Inc. or its designated licensees, will void all warranties expressed or implied.

A potential health hazard exists without exact original equipment replacement.

All warranted items become the sole property of Minuteman International, Inc. or its original manufacturer, whichever the case may be.

Minuteman International, Inc. disclaims any implied warranty, including the warranty of merchantability and the warranty of fitness for a particular purpose. Minuteman International, Inc. assumes no responsibility for any special, incidental or consequential damages.

This limited warranty is applicable only in the U.S.A. and Canada, and is extended only to the original user/purchaser of this product. Customers outside the U.S.A. and Canada should contact their local distributor for export warranty policies. Minuteman International, Inc. is not responsible for costs or repairs performed by persons other than those specifically authorized by Minuteman International, Inc. This warranty does not apply to damage from transportation, alterations by unauthorized persons, misuse or abuse of the equipment, use of non-compatible chemicals, or damage to property, or loss of income due to malfunctions of the product.

If a difficulty develops with this machine, you should contact the dealer from whom it was purchased.

This warranty gives you specific legal rights, and you may have other rights which vary from state to state. Some states do not allow the exclusion or limitation of special, incidental or consequential damages, or limitations on how long an implied warranty lasts, so the above exclusions and limitations may not apply to you.

Minuteman[®]

World Headquarters
Minuteman International, Inc.
111 South Rohlwing Road
Addison, Illinois 60101

Minuteman Canada, Inc.
2210 Drew Road
Mississauga, Ontario
L5S 1B1

(630) 627-6900
FAX (630) 627-1130

(905) 673-3222
FAX (905) 673-5161

987836
Printed in U.S.A.