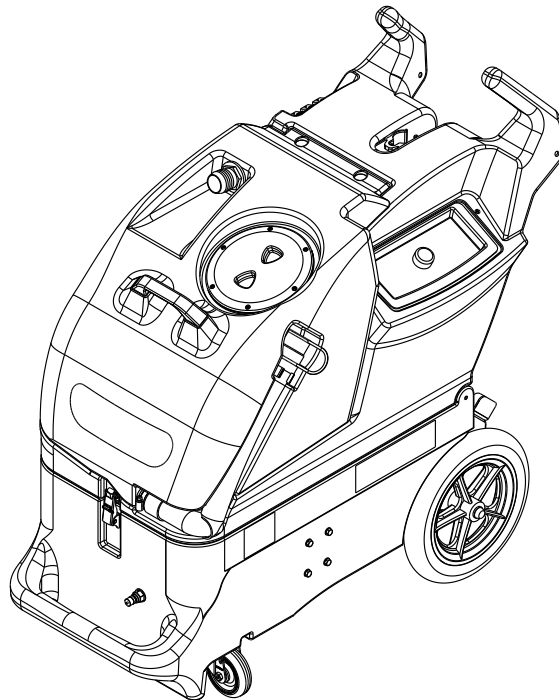




# HYDRAPORT 100SC, 100H HYDRAPORT 200H HYDRAPORT 400H

**INFORMATION AND  
OPERATING  
INSTRUCTIONS  
INFORMACIÓN E  
INSTRUCCIONES DE  
USO  
INFORMATION ET  
DIRECTIVES  
D'UTILISATION**



MODELS: 56384889 (100SC), 56384890 (100H) 56384891 (200H), 56384892 (400H),

A-English  
B-Español  
C-Français



**CAUTION: DO NOT OPERATE MACHINE UNTIL YOU HAVE READ ALL SECTIONS OF THIS INSTRUCTION MANUAL**

**PRECAUCIÓN: NO UTILICE LA MÁQUINA HASTA HABER LEÍDO TODAS LAS SECCIONES DE ESTE MANUAL DE INSTRUCCIONES**

**ATTENTION : N'UTILISEZ PAS LA MACHINE AVANT D'AVOIR LU TOUTES LES SECTIONS DU PRÉSENT MANUEL**

**IMPROPER USE OF THE MACHINE WILL VOID THE WARRANTY**

**EL USO INCORRECTO DE LA MÁQUINA ANULARÁ LA GARANTÍA**

**UNE UTILISATION INCORRECTE DE LA MACHINE ANNULERA LA GARANTIE**

**TABLE OF CONTENTS**

	<b>Page</b>
<b>Introduction</b> .....	A-3
Parts and Service .....	A-3
Modifications.....	A-3
Nameplate .....	A-3
Uncrating the Machine.....	A-3
Cautions and Warnings .....	A-4
Grounding Instructions .....	A-5
 <b>Know Your Machine</b> .....	 A-6 – A-7
Know Your Switch Plate.....	A-8
 <b>Preparing the Machine for Use</b> .....	 A-9
 <b>Operating the Machine</b> .....	 A-10 – A-11
 <b>After Use</b>	
After Using the Machine .....	A-12
 <b>Maintenance</b>	
Maintenance Schedule .....	A-12
Power Cord Maintenance .....	A-12
 Troubleshooting .....	 A-13
Technical Specifications .....	A-13
Material Composition and Recyclability.....	A-13
 <b>SECTION II – Parts List</b>	
General View .....	D-2
Decal System .....	D-3
Base System 100 .....	D-4 – D-5
Base System 200 .....	D-6 – D-7
Base System 400 .....	D-8 – D-9
Recovery System .....	D-10 – D-11
Solution System.....	D-12 – D-13
Wiring Diagram Single Cord .....	D-14
Wiring Diagram Dual Cord.....	D-15
Options & Accessories.....	D-16
Water Flow Diagrams .....	D-17 – D-19

## INTRODUCTION

This manual will help you get the most from your HydraMaster carpet extractor. Read it thoroughly before operating the machine.

This product is intended for commercial use only.

## PARTS AND SERVICE

Repairs, when required, should be performed by your Authorized HydraMaster Service Center, who employs factory trained service personnel, and maintains an inventory of HydraMaster original replacement parts and accessories.

Call the HYDRAMASTER DEALER named below for repairs or service. Please specify the Model and Serial Number when discussing your machine.

## MODIFICATIONS

Modifications and additions to the cleaning machine which affect capacity and safe operation shall not be performed by the customer or user without prior written approval from HydraMaster. Unapproved modifications will void the machine warranty and make the customer liable for any resulting accidents.

## NAMEPLATE

The Model Number and Serial Number of your machine are shown on the Nameplate, located at the rear of the machine on the base. This information is needed when ordering repair parts for the machine. Use the space below to note the Model Number and Serial Number of your machine for future reference. Be sure to register your warranty online at [www.hydramaster.com/Support/WarrantyRegistration.aspx](http://www.hydramaster.com/Support/WarrantyRegistration.aspx)

MODEL \_\_\_\_\_

SERIAL NUMBER \_\_\_\_\_

## UNCRATING THE MACHINE

When the machine is delivered, carefully inspect the shipping carton and the machine for damage. If damage is evident, save the shipping carton so that it can be inspected. Contact the HydraMaster Customer Care Department immediately to file a freight damage claim at 800.426.1301.



## WARNING!

The Products sold with this Manual contain or may contain chemicals that are known to certain governments (such as the State of California, as identified in its Proposition 65 Regulatory Warning Law) to cause cancer, birth defects or other reproductive harm. In certain locations (including the State of California) purchasers of these Products that place them in service at an employment job site or a publicly accessible space are required by regulation to make certain notices, warnings or disclosures regarding the chemicals that are or may be contained in the Products at or about such work sites. It is the purchaser's responsibility to know the content of, and to comply with, any laws and regulations relating to the use of these Products in such environments. The Manufacturer disclaims any responsibility to advise purchasers of any specific requirements that may be applicable to the use of the Products in such environments.

## IMPORTANT SAFETY INSTRUCTIONS

This machine is only suitable for commercial use, for example in hotels, schools, hospitals, factories, shops and offices other than normal residential housekeeping purposes.

When using any electrical appliance, basic precautions should always be followed, including the following:



**NOTE:** Read all instructions before using this machine.

### **WARNING!**

#### **To reduce the risk of fire, electric shock, or injury:**

- Do not leave the machine unattended when it is plugged in. Unplug the unit from the outlet when: not in use, before cleaning the machine, prior to servicing or performing any maintenance on the machine, and when replacing parts or converting the machine to another function.
- To avoid electric shock, do not expose to rain or snow. Store and use machine indoors only, store in a heated location. Do not let the machine or wand freeze.
- Do not allow to be used as a toy. Close attention is necessary when used near children.
- High pressure cleaners shall not be used by children or untrained personnel.
- Use only as described in this manual. Use only the manufacturer's recommended attachments.
- Never add water over 130° F/54° C to the solution tank.
- Always use a defoamer when foaming occurs to prevent vacuum motor damage.
- Do not let the pump run dry.
- Do not use with damaged cord or plug. If the machine is not working as it should, has been dropped, damaged, left outdoors or dropped into water, return it to a service center.
- Turn off all controls before unplugging.
- Do not pull by the cord, use the cord as a handle, close a door on the cord, or pull the cord around sharp edges or corners. Do not run the machine over the cord. Keep the cord away from heated surfaces. To unplug, grasp the plug, not the cord.
- Do not handle the plug, the cord or the machine with wet hands.
- Extension cords must be 12/3 and no longer than 50 feet. Replace the cord or unplug immediately if the ground prong becomes damaged.
- Connect to a properly grounded outlet only.
- Do not put any object into openings. Do not use with any opening blocked; keep free of dust, lint, hair, and anything that may reduce air flow.
- Keep loose clothing, hair, fingers, and all parts of body away from openings and moving parts.
- Do not pick up anything that is burning or smoking, such as cigarettes, matches, or hot ashes, or any health endangering dusts. Do not use to pick up flammable or combustible liquids such as gasoline or use in areas where they may be present.
- Risk of explosion – Do not spray flammable liquids.
- Use extra care when cleaning on stairs.
- Wear gloves or use rags when removing quick disconnects to prevent burns.
- Liquid ejected at the spray nozzle could be dangerous as a result of its temperature, pressure, or chemical content.
- High pressure jets can be dangerous if subject to misuse. The jet must not be directed at persons, live electrical equipment or the machine itself.
- Do not use the machine within range of persons unless they wear protective clothing.
- Do not direct the jet against yourself or others in order to clean clothes or foot-wear.
- High pressure hoses, fittings and couplings are important for the safety of the machine. Use only hoses, fittings and couplings recommended by the manufacturer.
- To ensure machine safety, use only original spare parts from the manufacturer or approved by the manufacturer.
- Water that has flowed through backflow preventers is considered to be non-potable.
- Do not use the machine if a supply cord or important parts of the machine are damaged, e.g. safety devices, high pressure hoses, trigger gun.



## 120VAC GROUNDING INSTRUCTIONS

This appliance must be grounded. If it should electrically malfunction, grounding provides a path of least resistance for electric current to reduce the risk of electric shock. This appliance is equipped with a cord having an equipment-grounding conductor and grounding plug. The plug must be plugged into an appropriate outlet that is properly installed and grounded in accordance with all local codes and ordinances.

### **⚠ DANGER!**

Improper connection of the equipment-grounding conductor can result in a risk of electric shock. Check with a qualified electrician or service person if you are in doubt as to whether the outlet is properly grounded. Do not modify the plug provided with the appliance. If it will not fit the outlet, have a proper outlet installed by a qualified electrician.

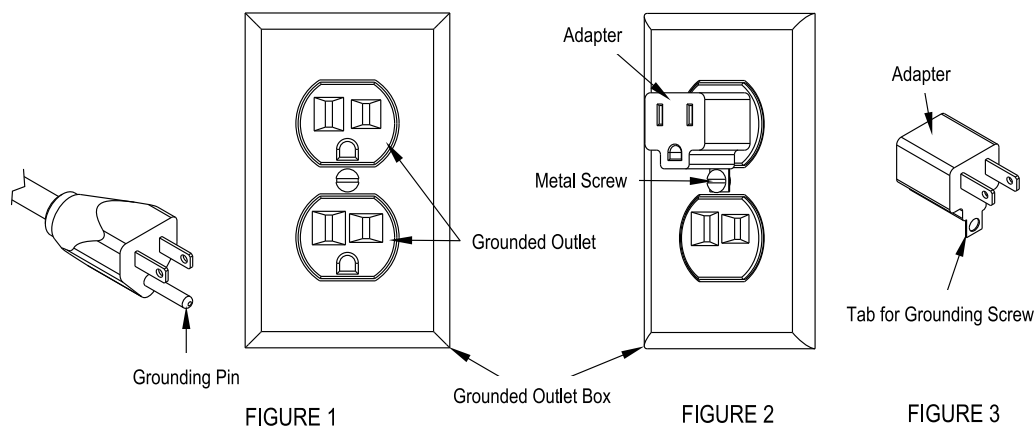
This appliance is for use on a nominal 120-volt circuit, and has a grounding plug that looks like the plug illustrated in Figure 1 below. A temporary adapter illustrated in Figures 2 and 3 may be used to connect this plug to a 2-pole receptacle as shown in Figure 2 if a properly grounded outlet is not available. The temporary adapter should be used only until a properly grounded outlet (Figure 1) can be installed by a qualified electrician. The green-colored rigid ear, tab, or the like extending from the adapter must be connected to a permanent ground such as a properly grounded outlet box cover. Whenever the adapter is used, it must be held in place by a metal screw. Grounding adapters are not approved for use in Canada.

Replace the plug if the grounding pin is damaged or broken.

The Green (or Green/Yellow) wire in the cord is the grounding wire. When replacing a plug, this wire must be attached to the grounding pin only. Extension cords connected to this machine should be 12 gauge, three-wire cords with three-prong plugs and outlets. DO NOT use extension cords more than 50 feet (15 m) long.

### **⚠ WARNING!**

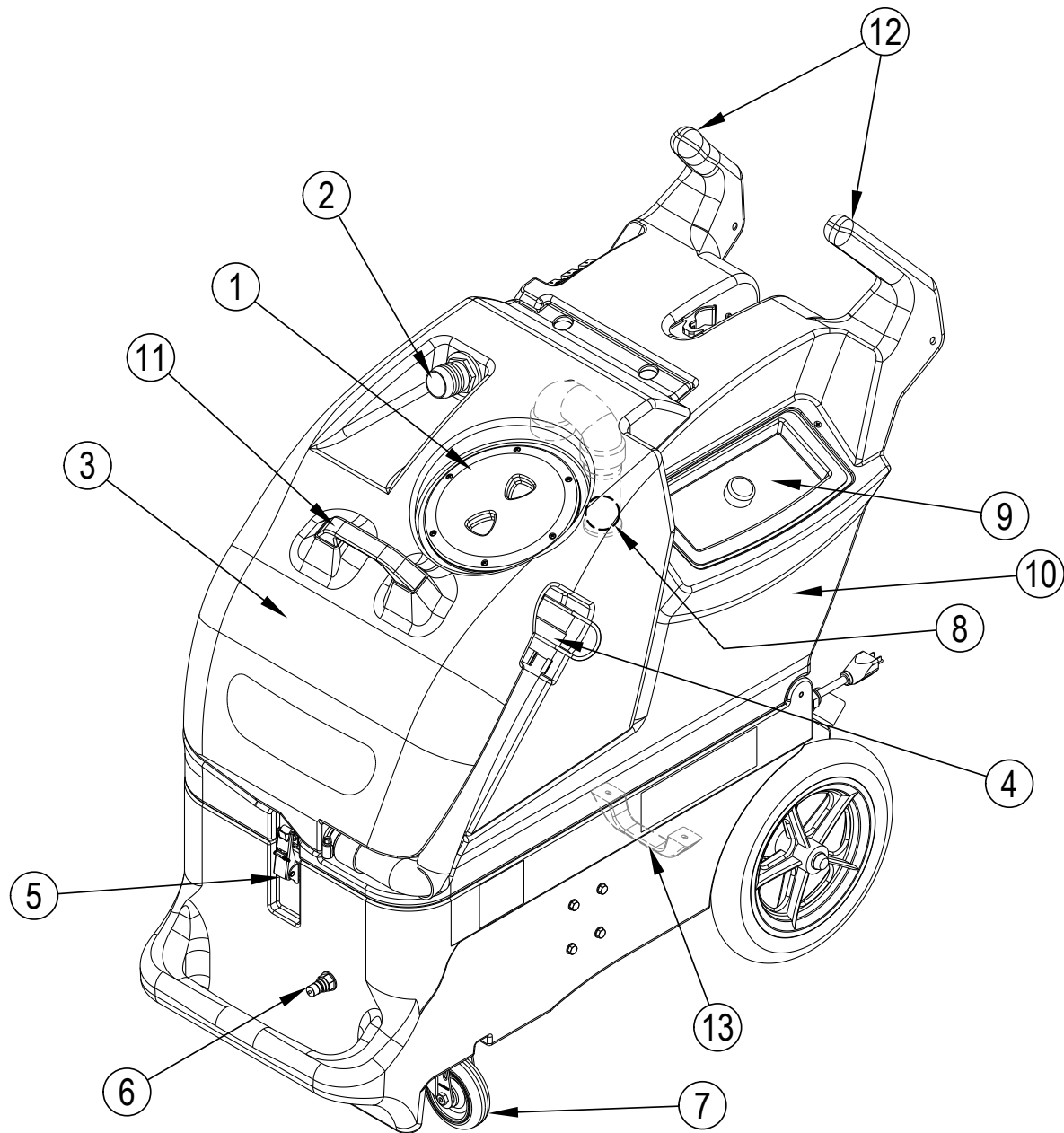
- If an extension cord is used, the plug and socket must be of watertight construction.
- Inadequate extension cords can be dangerous.



**PLEASE NOTE: FOR NORTH AMERICA ONLY**

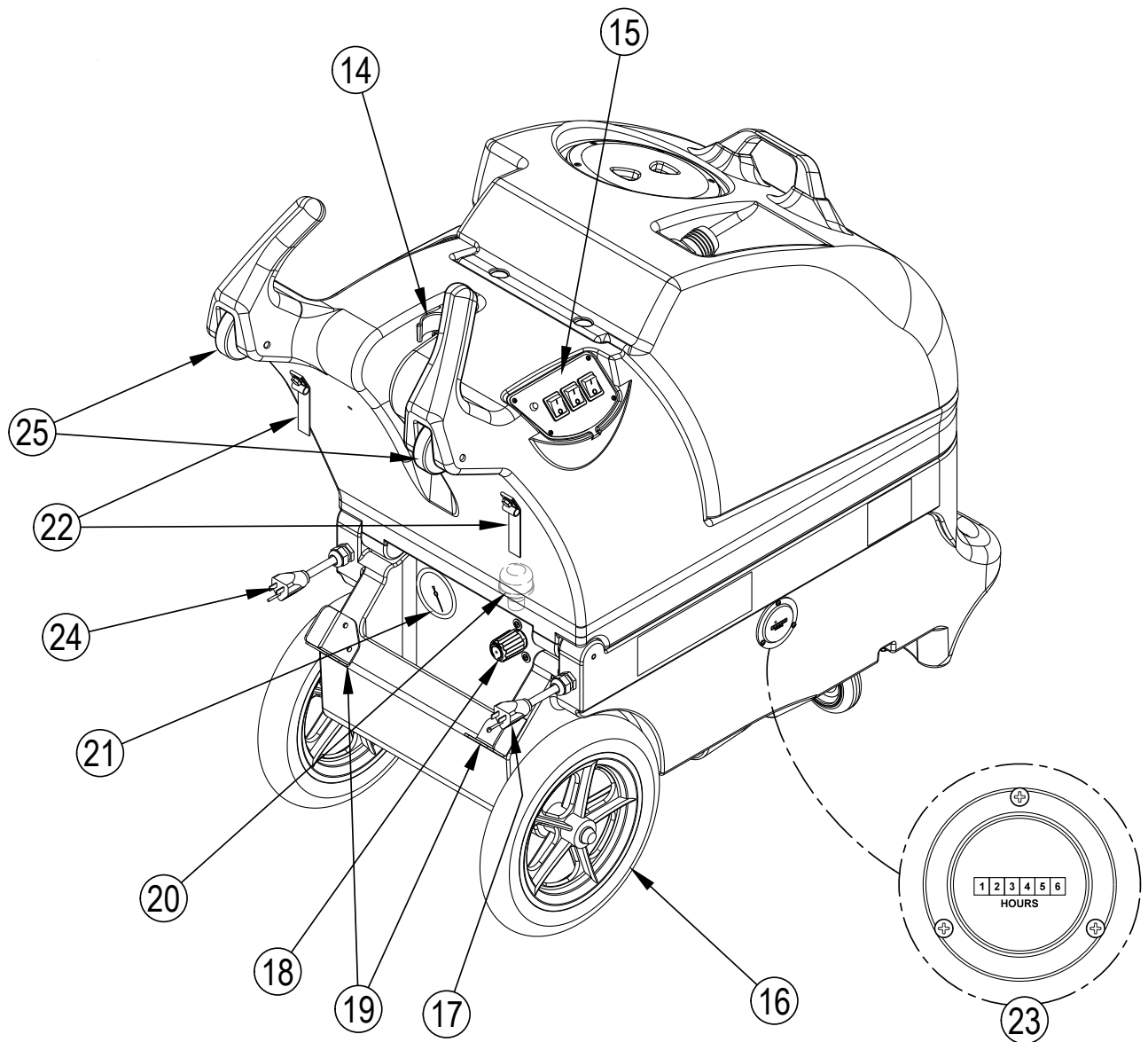
**KNOW YOUR MACHINE**

- 1 Recovery Tank Lid
- 2 Vacuum Hose Barb
- 3 Recovery Tank
- 4 Recovery Tank Drain Hose
- 5 Latch
- 6 Solution Hose Quick Disconnect
- 7 Caster
- 8 Recovery Tank Shutoff Float
- 9 Solution Tank Fill Opening
- 10 Solution Tank
- 11 Grab Handle
- 12 Handles
- 13 Loading Handle



**KNOW YOUR MACHINE (CONTINUED)**

- 14 Wand Storage Clip
- 15 Switch Plate
- 16 Wheel
- 17 Pigtail Power Cord (Yellow) (100H, 200H, 400H only)
- 18 Pressure Adjustment Knob (200H & 400H only)
- 19 Wand Retainer Bracket
- 20 Solution Filter (inside solution tank)
- 21 Pressure Gauge (200H & 400H only)
- 22 Cord Retainer Straps (two)
- 23 Hour Meter (Optional)
- 24 Pigtail Power Cord (Red)
- 25 Loading Wheels

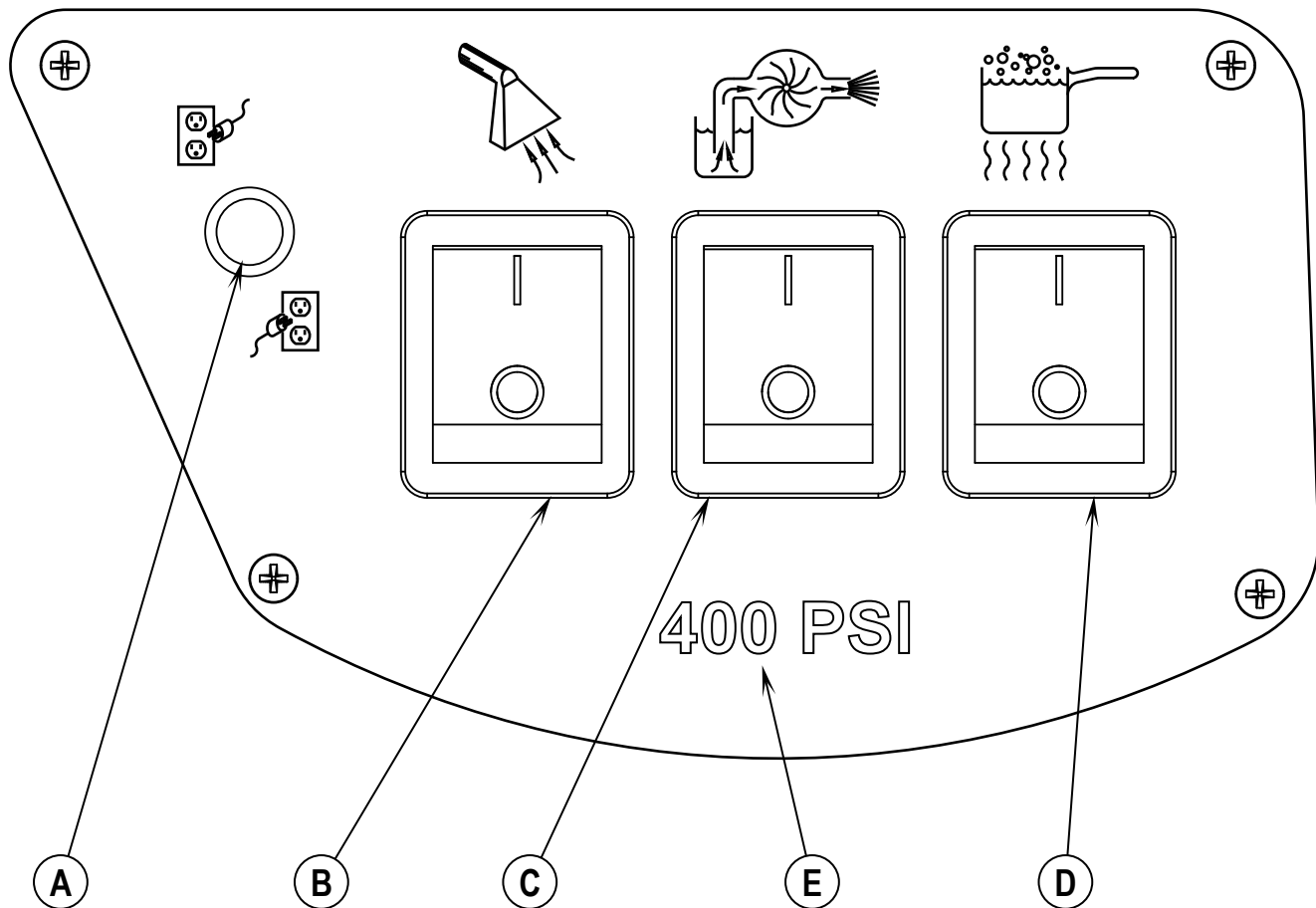


**KNOW YOUR SWITCHPLATE**

- A Circuit Indicator (green)** - When this light is on, it indicates that the two cords are plugged into separate circuits (not used on 100SC model). NOTE: if this indicator light is not turned on, you may have both power cords on the same circuit and this can trip the circuit breaker in the wall.
- B Vacuum Switch** - This switch turns the vacuum motor ON and OFF.
- C Pump Switch** - This switch turns the pump ON and OFF.
- D Heat Switch** - The heat switch turns the heater ON and OFF.
- E Pressure** - This label identifies the maximum pressure of your machine.

**⚠ CAUTION!**

The circuit breaker in the wall panel can trip if both cords are on the same circuit.



## PREPARING THE MACHINE FOR USE

- 1 Inspect the machine, hoses, and cleaning tools for cleanliness and completeness.
- 2 Screw the Recovery Tank Lid (1) closed. Ensure the Recovery Tank Drain Hose Cap (4) is closed tightly.
- 3 Pre-spray spots and heavy traffic areas before extracting with the detergent of your choice. Mix the pre-spray according to the detergent manufacturer's directions.
- 4 Open Solution Tank Fill Opening (9) and fill the solution tank with clear water (12.4 gal. / 47 L capacity). If desired, add a detergent or rinse of your choice (we recommend a CRI approved detergent). If you choose to add a detergent to the solution tank, be sure to mix well, and always follow the use & dilution instructions on the detergent label. Only use a detergent with a pH between 5 and 10. Although this machine is designed to supply instant hot water (heated models only), the addition of warm water to the solution tank would increase heater efficiency. Never use water above 130° F/54° C in the solution tank.



### **CAUTION!**

Use low-sudsing, liquid detergents designed for carpet extraction.

## OPERATING THE MACHINE

- 1 Follow the instructions in the Preparing the Machine for Use section of this manual.
- 2 Turn off all the switches. Plug the power cords into properly grounded outlets. Do not connect both cords to the same outlet; the green, Circuit Indicator Light (A) on the switch plate should light up. If the indicator light does not come on, try different outlets until it does.
- 3 Attach the priming hose to the machine and place the open end into the solution tank.
- 4 Turn ON the solution pump (C) and let it run until the pump is fully primed (approximately 30 seconds to 1 minute). Once the pump is primed, turn off the pump and remove the priming hose. **NOTE:** If priming is difficult, place the open end of the priming hose into the Vacuum inlet hose barb, and turn the vacuum (B) on. Use your hand to block the open area in the hose barb. This will allow the pump and the vacuum to work together to get the water moving.
- 5 Connect a solution line to the Solution Hose Quick Disconnect (6). Attach the other end of the solution line to the cleaning tool.
- 6 Connect a vacuum hose to the Vacuum Hose Barb (2). Attach the other end of the vacuum hose to the cleaning tool.
- 7 To use heated water for cleaning, press the Heat Switch (D) on. Wait two minutes for the heat exchanger to reach temperature.
- 8 Press the Pump Switch (C) to ON (I).
- 9 Press the Vacuum Switch (B) to ON (I).
- 10 Spray through your tool a few times to fill the lines with solution. Begin cleaning.
- 11 **Note for 200H & 400H models only:** To adjust the solution spray pressure; rotate the Pressure Adjustment Knob (18) clockwise to increase pressure and counterclockwise to decrease pressure. The pump spraying pressure will be observable at the Pressure Gauge (21) while spraying. Make sure the cleaning tool is spraying when adjusting the pressure, otherwise the pressure reading will be inaccurate.
- 12 Watch the fluid entering the Recovery Tank Lid (1). If there is a large amount of suds in the recovery tank, add a defoamer chemical to the recovery tank.

### CAUTION!

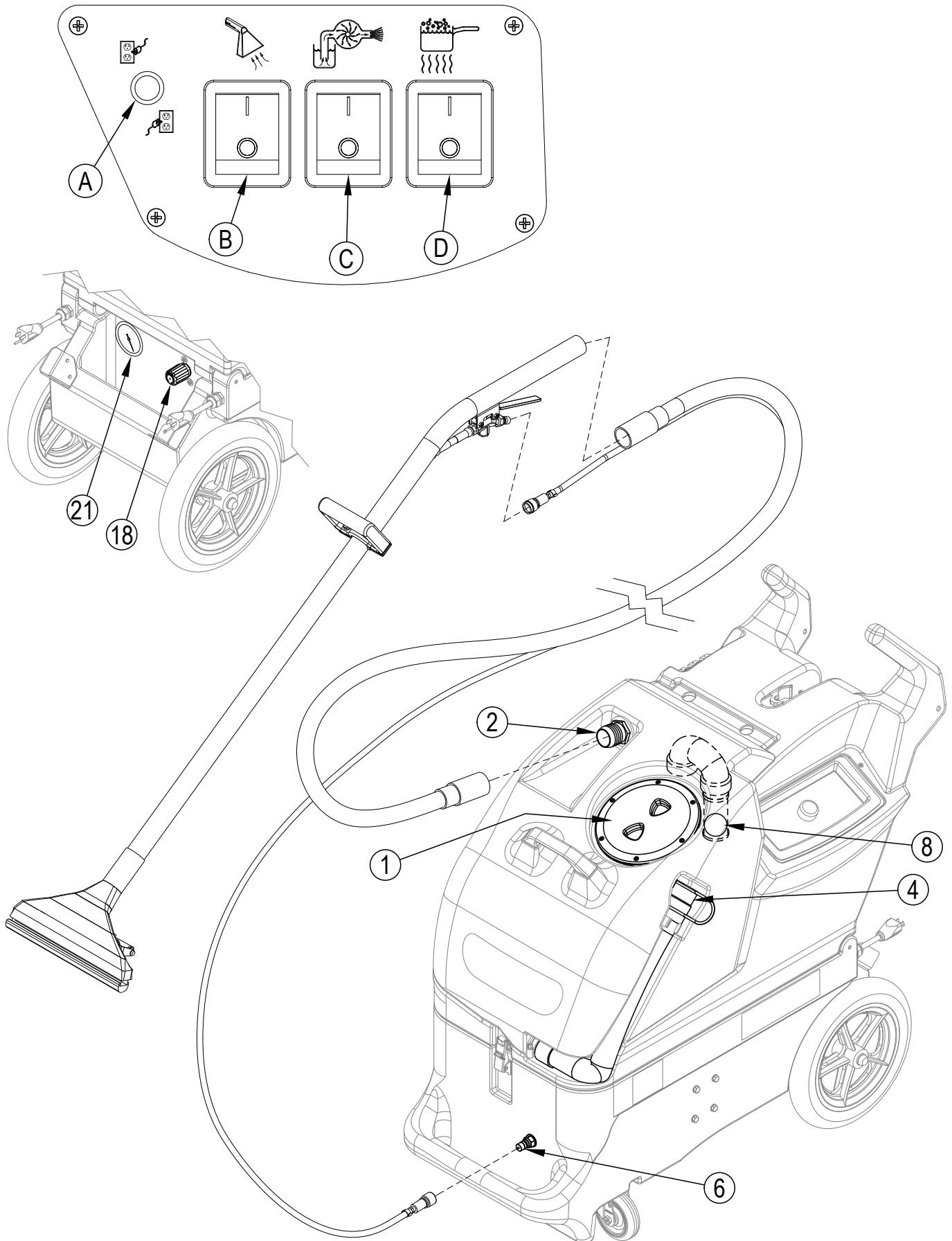
- Empty the recovery tank before the fluid or foam enters the vacuum motor.
- If foam or liquid escapes from the machine, switch off immediately.

### CAUTION!

Always make sure the float is clean and travels freely before turning on the machine. A float that is stuck will cause the vacuum motor to suck in water, resulting in vac motor damage.

- 13 The recovery tank has a Recovery Tank Shutoff Float (8) to block the vacuum system when the recovery tank is full. You can tell when the float closes by the sudden change in the sound of the vacuum motor. When the float closes, the recovery tank must be emptied. The machine can continue to dispense solution, but **will not** pick up water with the float closed.
- 14 Monitor the water level in the solution tank. Do not let the pump run dry. When the solution tank gets low, turn off the pump and the vacuum motor, refill the solution tank with water and the proper ratio of cleaning detergent. Empty the recovery tank and continue cleaning.
- 15 When the operator has completed the job; vacuum all unused solution from the solution tank into the recovery tank, turn off the pump, vacuum motor and heat exchanger. Unplug the machine.
- 16 Push the machine to a designated waste water "DISPOSAL SITE" and empty the recovery tank. To empty, pull the Recovery Tank Drain Hose (4) from its side storage location, then remove the plug (hold the end of the hose above the water level in the tank to avoid sudden, uncontrolled flow of waste water).
- 17 Follow the instructions in the After Using the Machine section of this manual.

**OPERATING THE MACHINE**



## AFTER USING THE MACHINE

- 1 To empty the solution tank, open Solution Tank Fill Opening (9) and vacuum out all unused solution into the recovery tank using the vacuum hose. Rinse the tank with clean water.
- 2 Turn all the Power Switches (B, C & D) to OFF (O). Unplug the Power Cords (17, 24). Coil the cords and secure them to the rear of the machine using the two Cord Retainer Straps (22).
- 3 To empty the recovery tank, pull the Recovery Tank Drain Hose (4) from its side storage location, then remove the plug (hold the end of the hose above the water level in the tank to avoid sudden, uncontrolled flow of waste water). Rinse the tank with clean water. Inspect the drain hose; replace if kinked or damaged.
- 4 Disconnect the solution and vacuum hoses from the machine, at the Solution Hose Quick Disconnect (6) and Vacuum Hose Barb (2). Flush the vacuum hose with warm water to wash any debris out of the vacuum hose and cleaning tool. Inspect them for damage.
- 5 Wipe the machine with a damp cloth. Do not use abrasive chemicals or solvents.
- 6 Perform any required maintenance before storage.

## MAINTENANCE SCHEDULE

MAINTENANCE ITEM	Daily	Weekly	Monthly	Yearly
Check / Clean Tanks & Hoses	X			
Check / Clean Recovery Tank Shut-Off Float	X			
Clean Extraction Wand/Tool	X			
Inspect & Clean Solution Filter		X		
Use a flushing compound (descale machine)			X	
*Check Carbon Brushes				X

\* Have a HydraMaster service technician check the vacuum motor carbon brushes once a year or after 300 operating hours. Check the pump motor carbon brushes every 500 hours or once a year.

## IMPORTANT!

Motor damage resulting from failure to service the carbon brushes is not covered under warranty. See the Limited Warranty Statement.

- 7 Store the machine indoors in a clean, dry place with the recovery tank lid open. Keep from freezing.
- 8 Lubricate the wheels, castors and quick disconnects with an all-purpose silicone spray.
- 9 Once a month, run a flushing compound (a mild acid descaler) through the machine to break up any mineral or chemical build-up that may have formed. Rinse the descaler out of the system with a few gallons of clear water.

## POWER CORD MAINTENANCE

Once a week (or more often if necessary), check the power cords for cracked or damaged insulation, exposed wires in the cord or plug, and damaged or missing ground pin. Repair or replace damaged cord or plug **immediately**.



**TROUBLESHOOTING:**

<b><u>IF THIS OCCURS</u></b>	<b><u>CHECK THIS</u></b>
NO SPRAY	Solution tank is empty, or filter is plugged. Clogged spray tip(s). Pump not running or not primed. Valve on wand not operating. Solution hose not completely connected to hose or to machine.
PUMP DOES NOT RUN	This pump motor runs on AC voltage, so it should start running as soon as you turn on the switch. If the pump motor does not start running, check the wiring to the switch and to the motor. Check the switch to see if it is "open". Check voltage to the switch.
LOW SUCTION	Debris is plugging cleaning tool or vacuum hose. Drain hose cap is not completely closed. Recovery tank lid is not seated or gasket is damaged.
NO SUCTION	Ball in the float is blocking air flow. Turn off the vacuum so the ball will drop down, or the recovery tank is full and needs to be emptied. No power to motor. Test the switch. Test the vacuum motor.
LOW HEAT	Spraying too long. Try spraying for 12-15 seconds, or about three strokes. Heat exchanger needs to be flushed. Wrong tool being used. Too much water passing through. Longer hose or larger diameter hose, than standard.
NO HEAT	Heat is not turned on. The green circuit indicator light must be on. No power in the wall outlet - check to see if the breaker has tripped. Call your distributor for additional help.

**TECHNICAL SPECIFICATIONS (as installed and tested on the unit)**

<b>Model</b>	<b>Hydraport 100SC</b>	<b>Hydraport 100H</b>	<b>Hydraport 200H</b>	<b>Hydraport 400H</b>
Model No.	56384889	56384890	56384891	56384892
Voltage/frequency	120 V / 60 Hz	120 V / 60 Hz	120 V / 60 Hz	120 V / 60 Hz
Rated Current	15 Amp	15 Amp	15 Amp	15 Amp
Protection Class (electrical)	Clase 1	Clase 1	Clase 1	Clase 1
Solution Tank Capacity	12.5 gal (47 L)	12.5 gal (47 L)	12.5 gal (47 L)	12.5 gal (47 L)
Recovery Tank Capacity	11.0 gal (42 L)	11.0 gal (42 L)	11.0 gal (42 L)	11.0 gal (42 L)
Total Weight	87 lbs. (39.4 kg)	87 lbs. (39.4 kg)	93 lbs. (42 kg)	110 lbs. (50 kg)

**Material Composition and Recyclability**

<b>Type</b>	<b>% of machine weight</b>	<b>% of machine weight</b>	<b>% of machine weight</b>	<b>% recyclable</b>
	<b>100</b>	<b>100H</b>	<b>400H</b>	
Aluminum	1%	9%	8%	100%
Electrical / motors / engines - misc	9%	8%	22%	29%
Ferrous metals	11%	11%	9%	100%
Harnesses / cables	6%	5%	4%	80%
Liquids	0%	0%	0%	100%
Plastic - non-recyclable	3%	3%	2%	0%
Plastic - recyclable	6%	5%	4%	100%
Polyethylene	60%	55%	47%	92%
Rubber	4%	4%	3%	20%

**ÍNDICE**

	<b>Página</b>
<b>Introducción</b> .....	B-3
Componentes y servicio .....	B-3
Modificaciones.....	B-3
Placa de identificación.....	B-3
Desembalaje de la máquina .....	B-3
Precauciones y advertencias.....	B-4
Instrucciones de conexión a tierra.....	B-5
<b>Conozca su máquina</b> .....	B-6 – B-7
Conozca su placa de interruptores.....	B-8
<b>Preparación de la máquina para el uso</b> .....	B-9
<b>Manejo de la máquina</b> .....	B-10 – B-11
<b>Después de la utilización</b>	
Después de la utilización de la máquina .....	B-12
<b>Mantenimiento</b>	
Programa de mantenimiento .....	B-12
Mantenimiento del cable de alimentación .....	B-12
Resolución de problemas .....	B-13
Especificaciones técnicas.....	B-13
Composición del material y reciclaje .....	B-13
<b>SECCIÓN II – Lista de piezas</b>	
Vista general.....	D-2
Sistema de calcomanías .....	D-3
Sistema de base 100.....	D-4 – D-5
Sistema de base 200.....	D-6 – D-7
Sistema de base 400.....	D-8 – D-9
Sistema de recuperación.....	D-10 – D-11
Sistema de solución .....	D-12 – D-13
Diagrama de cableado con un solo cable .....	D-14
Diagrama de cableado con doble cable .....	D-15
Opciones y accesorios .....	D-16
Diagramas del flujo de agua.....	D-17 – D-19

## INTRODUCCIÓN

Este manual le ayudará a obtener el máximo rendimiento de su aspirador de moqueta HydraMaster. Léalo con atención antes de utilizar la máquina.

Este producto está destinado exclusivamente al uso comercial.

## COMPONENTES Y SERVICIO

Las reparaciones, cuando sean necesarias, deben ser realizadas por su Centro Autorizado de Servicio de HydraMaster, que utiliza personal de servicio formado en fábrica y lleva un inventario de las piezas de repuesto y accesorios originales de HydraMaster.

Llame al DISTRIBUIDOR HYDRAMASTER que se indica a continuación para lo referente a piezas de repuesto o servicio. Por favor, especifique el modelo y el número de serie cuando hable de su máquina.

## MODIFICACIONES

El cliente o usuario no deberá realizar modificaciones o agregados a la máquina limpiadora que afecten la capacidad y la operación segura sin la autorización previa por escrito de Nilfisk, Inc. Las modificaciones sin autorización anularán la garantía de la máquina, y el cliente será responsable de cualquier accidente que resulte.

## PLACA DE IDENTIFICACIÓN

El Número de Modelo y Número de Serie de la máquina se indican en la placa de identificación instalada en la parte trasera de la máquina. Esta información es necesaria a la hora de solicitar repuestos para la máquina. Utilice el espacio situado más adelante para anotar el número de modelo y el número de serie de la máquina para futuras consultas. **Asegúrese de registrar su garantía en línea en [www.hydramaster.com/Support/WarrantyRegistration.aspx](http://www.hydramaster.com/Support/WarrantyRegistration.aspx)**

MODELO \_\_\_\_\_

NÚMERO DE SERIE \_\_\_\_\_

## DESEMBALAJE DE LA MÁQUINA

Cuando reciba la máquina, examine con atención el cartón de embalaje y la máquina, con el fin de comprobar si existe algún daño. Si observa algún daño, guarde la caja de embalaje para que se pueda inspeccionar. Póngase en contacto inmediatamente con el Departamento de Servicio al Cliente de HydraMaster para presentar una reclamación por daños en transporte al número 800.426.1301.

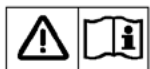
## ¡ADVERTENCIA!

Los Productos a la venta con este Manual contienen, o pueden contener, productos químicos reconocidos por algunos gobiernos (como el Estado de California, según lo indica en su Proposición 65, Ley de Advertencia Regulatoria) como causantes de cáncer, defectos de nacimiento u otros daños reproductivos. En algunas jurisdicciones (incluido el Estado de California), los compradores de estos Productos que los coloquen en servicio en un emplazamiento laboral o en un espacio de acceso público tienen la obligación regulatoria de realizar determinados avisos, advertencias o divulgaciones respecto de los productos químicos contenidos o posiblemente contenidos en los Productos utilizados en tal lugar. Es la responsabilidad del comprador conocer y cumplir con todas las leyes y reglamentaciones relacionadas con el uso de estos Productos en tales entornos. El Fabricante niega toda responsabilidad de informar a los compradores sobre requisitos específicos que pueden regir el uso de los Productos en tales entornos.

## INSTRUCCIONES IMPORTANTES DE SEGURIDAD

Esta máquina es apta únicamente para su uso comercial, por ejemplo, en hoteles, colegios, hospitales, fábricas, tiendas y oficinas, y no para la limpieza diaria del hogar.

Cuando utilice un aparato eléctrico, se deben respetar las precauciones básicas, incluidas las siguientes:



**NOTA:** lea todas y cada una de las instrucciones antes de utilizar la máquina.

### ¡ADVERTENCIA!

#### Para reducir el riesgo de incendios, descargas eléctricas o lesiones:

- No pierda de vista la máquina mientras esté enchufada. Desenchufe la unidad de la toma de corriente cuando: no la use, antes de limpiarla, antes de someterla a mantenimiento o reparaciones, y cuando reemplace las piezas o modifique la máquina para otra función.
- Para evitar descargas eléctricas, no la deje expuesta a la lluvia ni a la nieve. Utilícela y guárdela únicamente en interiores, y guárdela en un lugar calefaccionado. No deje que la máquina o varilla se congele.
- No permita que se utilice como juguete. Es necesario prestar mucha atención si se la usa cerca de niños.
- Los limpiadores de alta presión no deben ser utilizados por niños ni por personal no capacitado.
- Utilice sólo de la manera descrita en este manual. Utilice únicamente los accesorios recomendados por el fabricante.
- Nunca agregue agua a una temperatura superior a 130° F/54° C al depósito de solución.
- Utilice siempre un desespumante cuando se produzca espuma para evitar daños en el motor de aspiración.
- No deje que la bomba funcione en seco.
- No utilice si observa daños en el cable o el enchufe. Si la máquina no funciona correctamente, se ha caído, ha sufrido daños, se ha dejado a la intemperie o ha caído al agua, acuda a un centro de servicio.
- Apague todos los controles antes de desenchufar.
- No tire del cable ni lo utilice a modo de asa, evite que el cable quede atrapado al cerrar una puerta y no tire de él contra bordes afilados ni esquinas. No haga pasar la máquina por encima del cable. Mantenga el cable alejado de superficies calientes. Para desenchufar, agarre el enchufe y no el cable.
- No manipule el enchufe, el cable ni la máquina con las manos húmedas.
- Los alargadores deben ser de 12/3 y su longitud no debe superar los 15,24 m. Sustituya el cable o desenchufe inmediatamente si la clavija de tierra está dañada.
- Enchufe sólo a una toma de corriente debidamente conectada a tierra.
- No coloque ningún objeto en las aberturas. No utilice la máquina si las aberturas están obstruidas; manténgalas libres de polvo, hilos, pelo o cualquier otra sustancia que pueda reducir el caudal de aire.
- Mantenga el cabello, las ropas sueltas, los dedos y todas las partes del cuerpo lejos de las aberturas y de las partes en movimiento.
- No recoja ningún material en combustión o que eche humo, como cigarrillos o cerillas, o cualquier tipo de polvo que representara una amenaza para la salud. No utilice para recoger líquidos inflamables o combustibles, como gasolina, ni en lugares en los que pueda haber dichos líquidos.
- Riesgo de explosión. No pulverice líquidos inflamables.
- Tenga un cuidado especial cuando limpie en escaleras.
- Use guantes o trapos al retirar las desconexiones rápidas para evitar quemaduras.
- El líquido eyectado por la boquilla de pulverización podría ser peligroso debido a su temperatura, presión o contenido químico.
- Las boquillas de alta presión pueden ser peligrosas si se utilizan incorrectamente. La boquilla no se debe posicionar apuntando a personas, equipos eléctricos activos o la misma máquina.
- No utilice la máquina cerca de personas sin ropa de protección.
- No posicione la boquilla apuntando a usted ni a otras personas para limpiar ropa o zapatos.
- Los tubos, accesorios y acoplamientos de alta presión son importantes para la seguridad de la máquina. Utilice únicamente tubos, accesorios y acoplamientos recomendados por el fabricante.
- Para garantizar la seguridad de la máquina, utilice únicamente piezas de repuesto originales del fabricante o aprobadas por el fabricante.
- El agua que pasó por dispositivos de prevención de contracorriente se considera no potable.
- No utilice la máquina si un cable de alimentación o partes importantes de la máquina están dañados, por ejemplo dispositivos de seguridad, tubos de alta presión, pistola de accionamiento.

## INSTRUCCIONES DE CONEXIÓN A TIERRA 120VCA

Este artefacto debe conectarse a tierra. En caso de que se produzca algún fallo eléctrico, la conexión a tierra ofrece una vía de resistencia menor para la corriente eléctrica, reduciendo el riesgo de descarga eléctrica. Este aparato está equipado con un cable con conductor de conexión a tierra del equipo y enchufe de conexión a tierra. El enchufe debe conectarse a una toma de corriente debidamente instalada y conectada a tierra de acuerdo con todas las normas y ordenanzas locales.

### ⚠ ¡PELIGRO!

La conexión incorrecta del conductor de conexión a tierra del equipo puede suponer un riesgo de descarga eléctrica. Consulte a un electricista cualificado o al personal de servicio en caso de duda acerca de la correcta conexión a tierra de la toma de corriente. No modifique el enchufe suministrado junto con el aparato. En caso de que este enchufe no sirva para la toma de corriente, pida a un electricista cualificado que instale una toma de corriente adecuada.

Este aparato se usa con un circuito de 120 voltios nominales, y tiene un enchufe con toma a tierra tal como se muestra en la Figura 1, a continuación. Se puede usar un adaptador provisorio tal como se ve en las Figuras 2 y 3 en caso de disponerse de un receptáculo sin toma a tierra como en la Figura 2. Dicho adaptador provisorio se usará solamente hasta que un electricista cualificado instale un receptáculo con la toma a tierra correspondiente (Figura 1). La lengüeta de conexión de color verde que sale del adaptador deberá ser conectada a una toma a tierra permanente como, por ejemplo, la caja del receptáculo con toma a tierra. Siempre que se use el adaptador, hay que sostenerlo en su lugar con un tornillo de metal. El uso de adaptadores de conexión a tierra no está aprobado en Canadá.

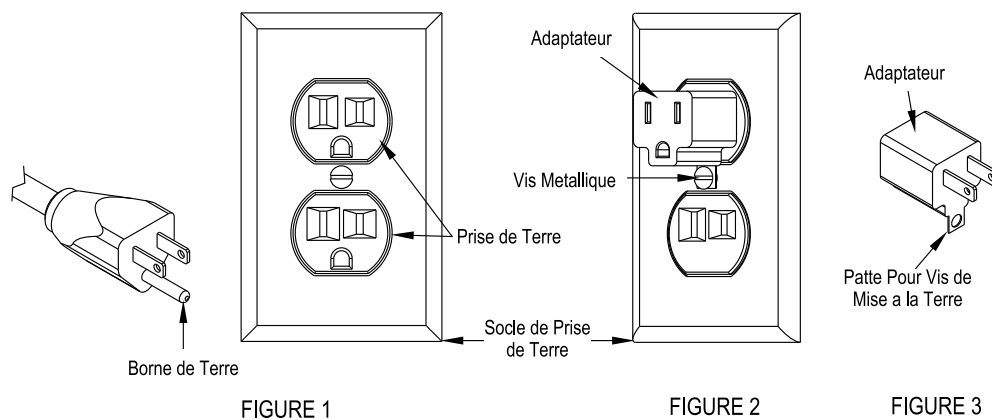
Sustituya el enchufe si la patilla de tierra está dañada o rota.

El hilo Verde (o Verde/Amarillo) del cordón es el hilo de tierra. Cuando sustituya el enchufe, este hilo sólo debe ir conectado a la patilla de tierra.

Los cables alargadores conectados a esta máquina deben ser del calibre 12, trifilares, con tres patillas y tomas de pared adecuadas. NO utilice cables alargadores de más de 15 m.

### ⚠ ¡ADVERTENCIA!

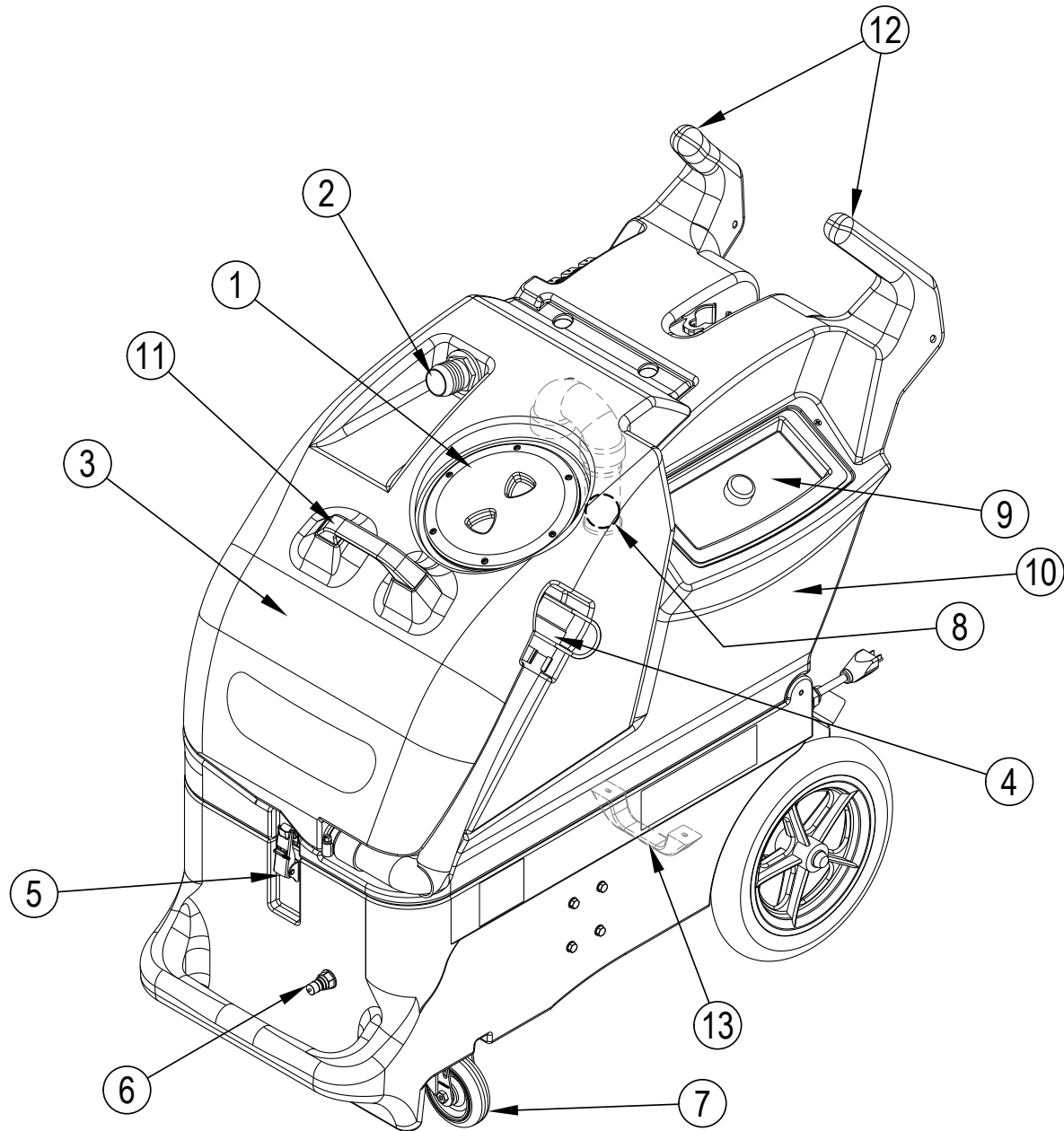
- Si se utiliza un alargador, el enchufe y la toma de corriente deben ser herméticos.
- Los alargadores inadecuados pueden ser peligrosos.



**ATENCIÓN: PARA AMÉRICA DEL NORTE SOLAMENTE**

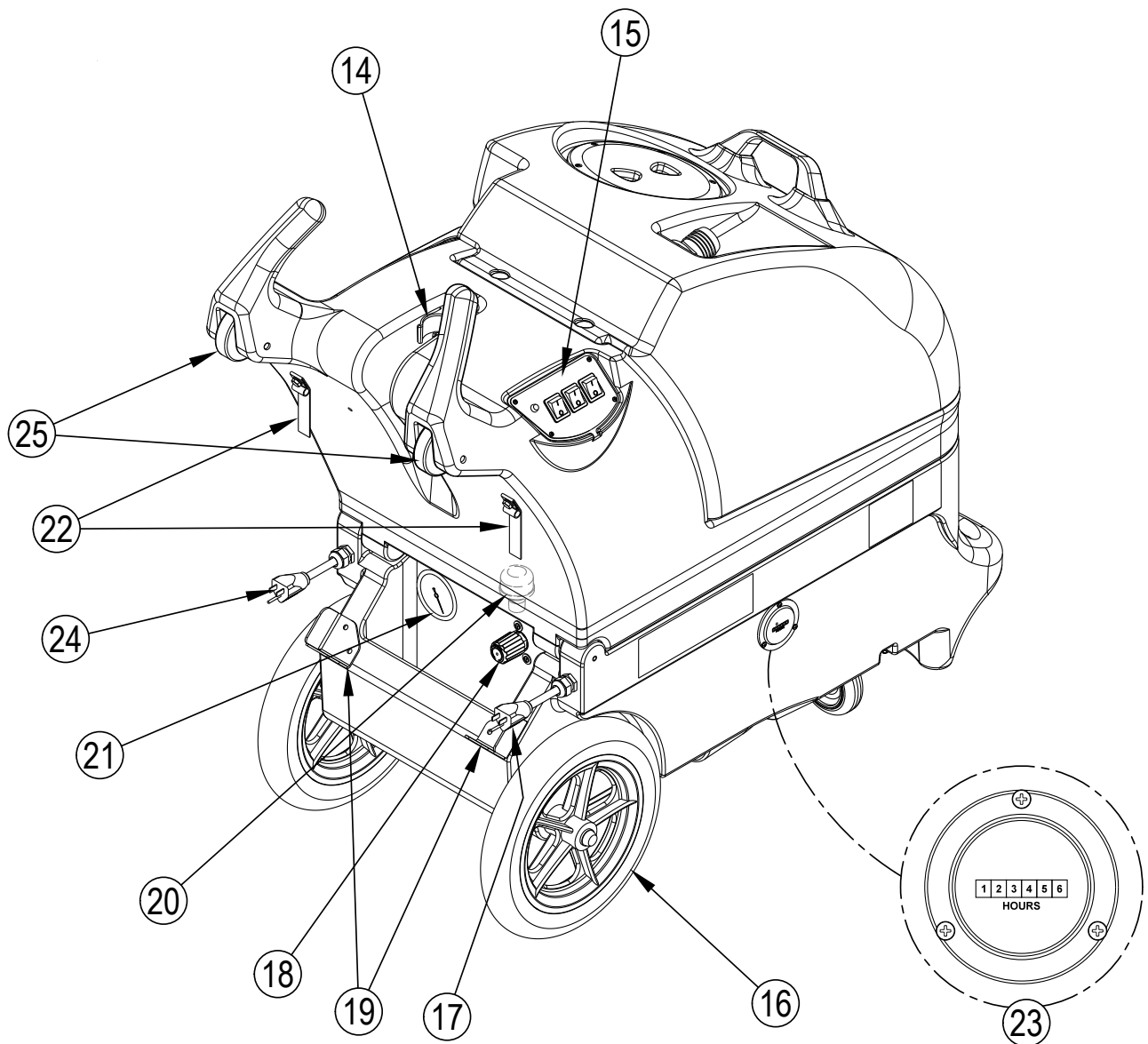
**CONOZCA SU MÁQUINA**

- 1 Tapa del depósito de recuperación
- 2 Lengüeta del tubo de aspiración
- 3 Depósito de recuperación
- 4 Tubo de vaciado del depósito de recuperación
- 5 Pestillo
- 6 Desconexión rápida del tubo de la solución
- 7 Ruedecilla
- 8 Flotador de cierre del depósito de recuperación
- 9 Abertura de llenado del depósito de solución
- 10 Depósito de solución
- 11 Mango de sujeción
- 12 Manijas
- 13 Manilla de carga



**CONOZCA SU MÁQUINA (CONTINUACIÓN)**

- 14 Presilla para guardar la varilla
- 15 Placa de interruptores
- 16 Rueda
- 17 Cable de alimentación en espiral (amarillo) (100H, 200H, 400H únicamente)
- 18 Mando de ajuste de presión (200H y 400H únicamente)
- 19 Soporte de retén de la varilla
- 20 Filtro de solución (dentro del depósito de solución)
- 21 Manómetro (200H y 400H únicamente)
- 22 Correas de retén del cable (dos)
- 23 Cronómetro (opcional)
- 24 Cable de alimentación en espiral (rojo)
- 25 Ruedas de carga

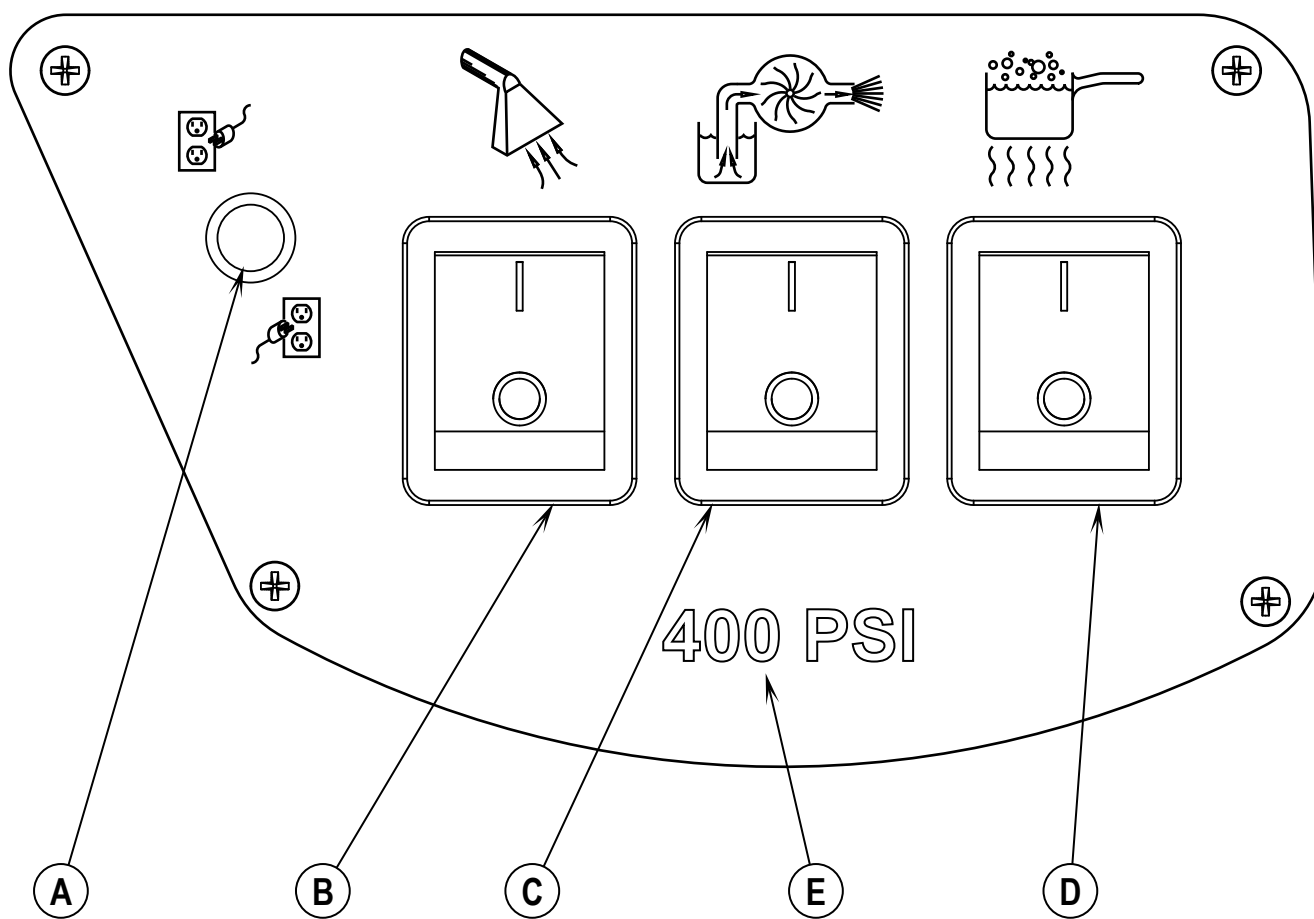


### CONOZCA SU PLACA DE INTERRUPTORES

- A Indicador de circuito (verde) – Cuando esta luz está encendida, indica que los dos cables están enchufados en circuitos separados (no se utiliza en el modelo 100SC). **NOTA: si esta luz indicadora no está encendida, ambos cables pueden estar enchufados en el mismo circuito, y el disyuntor de la pared se puede desconectar.**
- B Interruptor de aspiración – Este interruptor se utiliza para encender o apagar el motor de aspiración.
- C Interruptor de la bomba – Este interruptor se utiliza para encender o apagar la bomba.
- D Interruptor del calefactor – Este interruptor se utiliza para encender o apagar el calefactor.
- E Presión – Esta etiqueta identifica la presión máxima de su máquina.

### ⚠ ¡PRECAUCIÓN!

El disyuntor de la pared se puede desconectar si ambos cables están en el mismo circuito.





## PREPARACIÓN DE LA MÁQUINA PARA SU UTILIZACIÓN

- 1 Inspeccione si la máquina, los tubos y las herramientas de limpieza están limpios y completos.
- 2 Cierre la tapa del depósito de recuperación (1) con tornillos. Asegúrese de que el tapón del tubo de vaciado del depósito de recuperación (4) esté bien cerrado.
- 3 Pulverice previamente las manchas y las zonas por las que más se circula con el detergente que prefiera. Mezcle el producto de pulverización de acuerdo con las recomendaciones del fabricante.
- 4 Abra la abertura de llenado del depósito de solución (9) y llene el depósito de solución con agua limpia (capacidad de 12,5 gal./ 47 L). Si lo desea, añada un detergente (recomendamos un detergente aprobado por el CRI). Si desea añadir un detergente al depósito de la solución, asegúrese de mezclarlo bien, y siga siempre las instrucciones de uso y disolución que aparecen en la etiqueta del detergente. Utilice únicamente detergentes con pH de entre 5 y 10. Si bien la máquina está diseñada para suministrar agua caliente al instante (únicamente modelos con calefacción), el añadir agua tibia al depósito de la solución puede aumentar la eficiencia del calefactor. Nunca use agua a una temperatura superior a 130° F/54° C en el depósito de solución.

### ¡PRECAUCIÓN!

Utilice detergentes líquidos de bajo poder espumante diseñados para la succión de moquetas.

## MANEJO DE LA MÁQUINA

- 1 Siga las instrucciones de la sección **Preparación de la máquina** para el uso de este manual.
- 2 Apague todos los interruptores. Enchufe los cables de alimentación a tomas de corriente puestas a tierra correctamente. No conecte ambos cables a la misma toma de corriente. La luz indicadora de circuito verde **(A)** de la placa de interruptores se debería encender. Si la luz indicadora no se enciende, pruebe con distintas tomas de corriente.
- 3 Acople el tubo de cebado a la máquina y coloque el extremo abierto en el depósito de solución.
- 4 Encienda la bomba de la solución **(C)** y déjela funcionar hasta que la bomba esté completamente cebada (aproximadamente entre 30 segundos y 1 minuto). Cuando la bomba se haya cebado, apague la bomba y retire el tubo de cebado. **NOTA:** Si se dificulta el cebado, coloque el extremo abierto del tubo de cebado dentro de la lengüeta del tubo de entrada de aspiración y encienda la aspiración **(B)**. Utilice una mano para bloquear la parte abierta de la lengüeta del tubo. Así la bomba y la aspiración funcionarán juntas para poner el agua en movimiento.
- 5 Conecte una línea de solución a la desconexión rápida del tubo de la solución **(6)**. Acople el otro extremo de la línea de solución a la herramienta de limpieza.
- 6 Conecte un tubo de aspiración a la lengüeta del tubo de aspiración **(2)**. Acople el otro extremo del tubo de aspiración a la herramienta de limpieza.
- 7 Para usar agua caliente para limpiar, encienda el interruptor del calefactor **(D)**. Espere dos minutos para que el intercambiador de calor alcance la temperatura adecuada.
- 8 Ponga el interruptor de la bomba **(C)** en la posición de encendido (I).
- 9 Ponga el interruptor de aspiración **(B)** en la posición de encendido (I).
- 10 Pulverice con la herramienta algunas veces para llenar las conducciones con solución. Comience la limpieza.
- 11 **Nota para los modelos 200H y 400H únicamente:** Para ajustar la presión del pulverizador de solución, gire el mando de ajuste de presión **(18)** en el sentido de las agujas del reloj para aumentar la presión y en el sentido contrario a las agujas del reloj para disminuir la presión. La presión de pulverización de la bomba se podrá observar en el manómetro **(21)** durante la pulverización. Asegúrese de que la herramienta de limpieza esté pulverizando cuando ajuste la presión. De lo contrario, la lectura de presión será inexacta.
- 12 Observe la introducción del fluido en la tapa del depósito de recuperación **(1)**. Si hay demasiada espuma en el depósito de recuperación, añada un producto químico antiespumante en el depósito de recuperación.

### ¡PRECAUCIÓN!

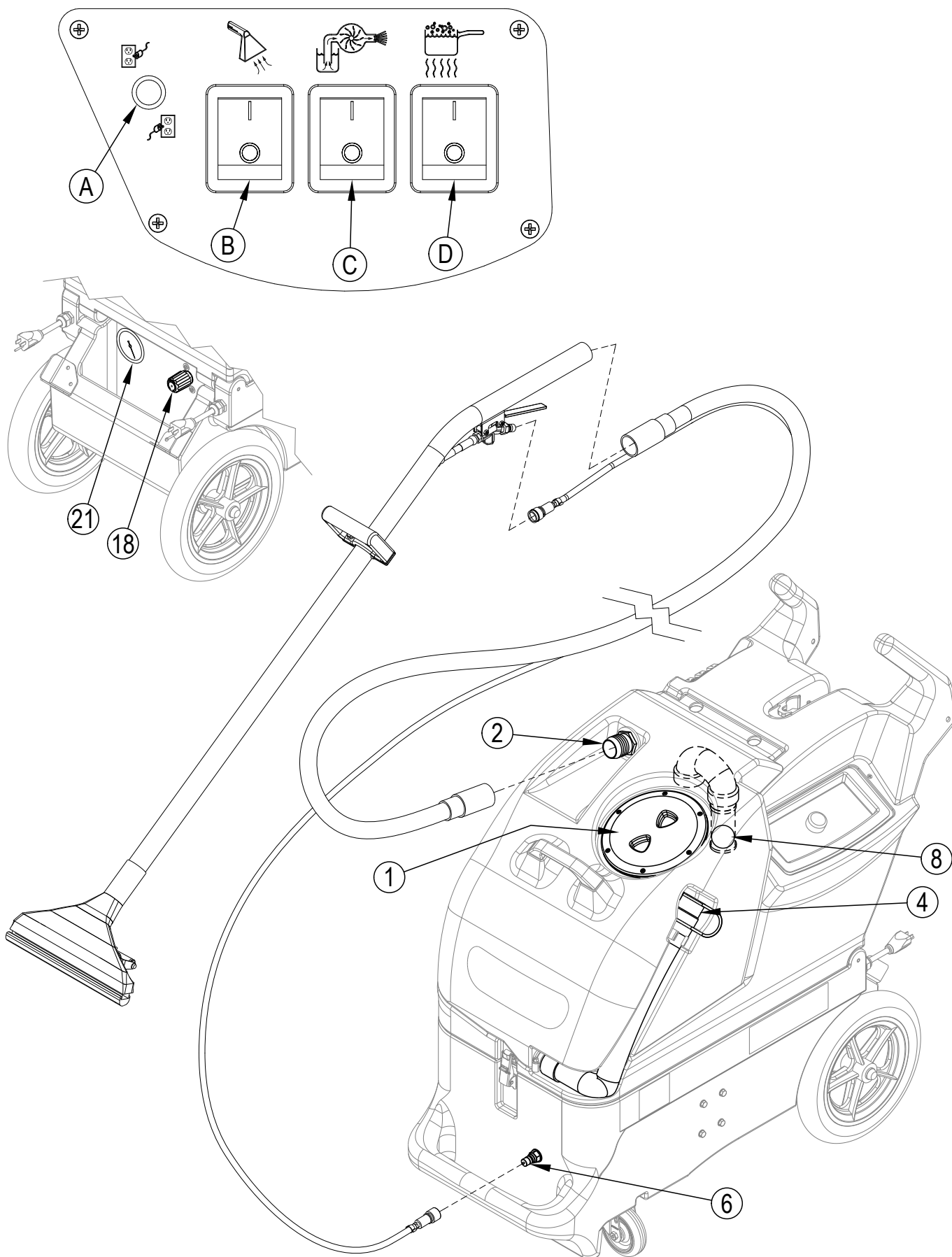
- Vacíe el depósito de recuperación antes de que el fluido o la espuma se introduzcan en el motor de aspiración.
- Si sale espuma o líquido de la máquina, apáguela inmediatamente.

### ¡PRECAUCIÓN!

**Siempre asegúrese de que el flotador esté limpio y se desplace libremente antes de encender la máquina. Si el flotador está atascado, el motor de aspiración recogerá agua y se dañará.**

- 13 El depósito de recuperación tiene un flotador de cierre **(8)** para bloquear el sistema de aspiración cuando el depósito de recuperación está lleno. Se puede reconocer el momento en que se cierra el flotador por el cambio súbito del ruido del motor de aspiración. Hay que vaciar el depósito de recuperación cuando el flotador lo cierra. La máquina puede seguir aplicando la solución, pero **no** recogerá el agua si el flotador está cerrado.
- 14 Monitoree el nivel de agua en el depósito de la solución. No deje que la bomba funcione en seco. Cuando el depósito de la solución tenga un nivel bajo, apague la bomba y el motor de aspiración, y rellene dicho depósito con agua y la proporción correcta de detergente. Vacíe el depósito de recuperación y siga limpiando.
- 15 Cuando el operador haya completado la tarea, aspire toda la solución sin usar desde el depósito de solución hacia el depósito de recuperación, y apague la bomba, el motor de aspiración y el intercambiador de calor. Desenchufe la máquina.
- 16 Lleve la máquina a un lugar establecido para la eliminación de aguas residuales y vacíe el depósito de recuperación. Para vaciarla, tire de la tubería de drenaje del depósito de recuperación **(4)** para sacarla de su ubicación de almacenamiento lateral y, a continuación, retire el tapón (sostenga el extremo de la tubería por encima del nivel de agua para evitar el flujo súbito e incontrolado de agua residual).
- 17 Siga las instrucciones de la sección **Después de la utilización de la máquina** de este manual.

# MANEJO DE LA MÁQUINA



## DESPUÉS DE LA UTILIZACIÓN DE LA MÁQUINA

- 1 Para vaciar el depósito de solución, abra la abertura de llenado del depósito de solución (9) y aspire toda la solución sin usar hacia el depósito de recuperación con el tubo de aspiración. Enjuague el depósito con agua limpia.
- 2 Apague todos los interruptores de corriente (B, C y D) (O). Desenchufe los cables de alimentación (17, 24). Enrolle los cables y fíjelos a la parte posterior de la máquina con las dos correas de retén del cable (22).
- 3 Para vaciar el depósito de recuperación, tire de la tubería de drenaje del depósito de recuperación (4) para sacarla de su ubicación de almacenamiento lateral y, a continuación, retire el tapón (sostenga el extremo de la tubería por encima del nivel de agua para evitar el flujo súbito e incontrolado de agua residual). Enjuague el depósito con agua limpia. Inspeccione el tubo de drenaje y sustitúyalo si está torcido o dañado.
- 4 Desconecte los tubos de solución y aspiración de la máquina, en la desconexión rápida del tubo de la solución (6) y la lengüeta del tubo de aspiración (2). Lave el tubo de aspiración con agua tibia para eliminar residuos del tubo de aspiración y de la herramienta de limpieza. Exáminelos para comprobar si existen daños.
- 5 Limpie la máquina con un paño húmedo. No utilice disolventes ni productos químicos abrasivos.
- 6 Realice cualquier operación de mantenimiento que sea necesaria antes de guardar la máquina.

## PROGRAMA DE MANTENIMIENTO

OPERACIÓN DE MANTENIMIENTO	Diario	Semanal	Mensual	Anual
Limpiar e inspeccionar depósitos y tubos	X			
Limpiar e inspeccionar el flotador de cierre del depósito de recuperación	X			
Limpiar la varilla/herramienta de extracción	X			
Limpiar e inspeccionar el filtro de la solución		X		
Use un compuesto de limpieza (antincrustaciones)			X	
*Verificar los cepillos de carbono				X

\* Haga que un técnico de mantenimiento de HydraMaster revise los cepillos de carbono del motor de aspiración una vez al año o después de 300 horas de funcionamiento. Compruebe los cepillos de carbono de los motores de la bomba cada 500 horas o una vez al año.

## ¡IMPORTANTE!

Los daños al motor causados por no haber revisado y mantenido los cepillos de carbono no están cubiertos por la garantía. Consulte la Declaración de Garantía Limitada.

- 7 Guarde la máquina en el interior, en un lugar limpio y seco, con la tapa del depósito de recuperación abierta. Protéjala frente a la congelación.
- 8 Lubrique las ruedas, ruedas pivotantes y desconexiones rápidas con un spray de silicona multiusos.
- 9 Una vez al mes, haga pasar un compuesto de limpieza (producto antincrustaciones ácido suave) por la máquina para deshacer cualquier acumulación de minerales o productos químicos que pueda haberse formado. Enjuague el producto antincrustaciones del sistema con varios litros de agua limpia.

## MANTENIMIENTO DEL CABLE DE ALIMENTACIÓN

Una vez por semana (o más si fuera necesario), compruebe los cables de alimentación para ver si existen grietas o si el aislamiento está dañado, si hay hilos expuestos en el cable o en el enchufe y si la patilla de tierra está dañada o no está presente. Repare o sustituya el cable o enchufe dañado **inmediatamente**.

**LOCALIZACIÓN DE AVERÍAS:****SI SE PRODUCE ESTE PROBLEMA      COMPRUEBE LO SIGUIENTE**

NO HAY PULVERIZACIÓN	El depósito de la solución está vacío o el filtro está atascado. Puntas de pulverización atascadas. La bomba no funciona o no ha sido cebada. La válvula en la varilla no funciona. El tubo de la solución no está completamente conectado al tubo o a la máquina.
LA BOMBA NO FUNCIONA	El motor de la bomba funciona con tensión CA, por lo que debería empezar a funcionar al encender el interruptor. Si el motor de la bomba no arranca, compruebe el cableado al interruptor y al motor. Compruebe el interruptor para ver si está "abierto". Compruebe el voltaje al interruptor.
POCA SUCCIÓN	Hay residuos que atascan la herramienta de limpieza o el tubo de aspiración. La tapa del tubo de drenaje no está completamente cerrada. La tapa del depósito de recuperación no está asentada, o la empaquetadura está dañada.
NINGUNA SUCCIÓN	La bola en el flotador está bloqueando el flujo de aire. Apague la aspiración de modo que la bola baje, o el depósito de recuperación está lleno y se debe vaciar. No llega alimentación al motor. Compruebe el interruptor. Compruebe el motor de aspiración.
POCO CALOR	Pulverización demasiado prolongada. Intente pulverizar durante 12-15 segundos, o unos tres golpes. Es necesario limpiar el intercambiador de calor. Se está utilizando una herramienta equivocada. Pasa demasiada agua. Tubo más largo o de mayor diámetro que el estándar.
NO HAY CALOR	No se ha encendido el sistema calefactor. La luz indicadora de circuito verde debe estar encendida. No hay alimentación en la toma de la pared: compruebe si el disyuntor ha saltado. Llame a su distribuidor para obtener ayuda adicional.

**ESPECIFICACIONES TÉCNICAS (SEGÚN LA INSTALACIÓN Y LAS PRUEBAS DE LA UNIDAD)**

Modelo	Hydraport 100SC	Hydraport 100H	Hydraport 200H	Hydraport 400H
Nº de modelo	56384889	56384890	56384891	56384892
Voltaje/frecuencia	120 V / 60 Hz	120 V / 60 Hz	120 V / 60 Hz	120 V / 60 Hz
Corriente nominal	15 Amp	15 Amp	15 Amp	15 Amp
Clase de protección (eléctrica)	Clase 1	Clase 1	Clase 1	Clase 1
Capacidad del depósito de solución	12.5 gal (47 L)	12.5 gal (47 L)	12.5 gal (47 L)	12.5 gal (47 L)
Capacidad del depósito de recuperación	11.0 gal (42 L)	11.0 gal (42 L)	11.0 gal (42 L)	11.0 gal (42 L)
Peso total	87 lbs. (39.4 kg)	87 lbs. (39.4 kg)	93 lbs. (42 kg)	110 lbs. (50 kg)

**Composición del material y reciclaje**

Tipo	% del peso de la máquina 100	% del peso de la máquina 200	% del peso de la máquina 400	% reciclable
Aluminio	8%	8%	6%	100%
Eléctrico / motores / misc.	18%	22%	32%	33%
Metales ferrosos	7%	9%	9%	100%
Arneses / cables	5%	4%	4%	75%
Líquidos	0%	0%	0%	0%
Plástico – no reciclable	2%	2%	2%	0%
Plástico – reciclable	5%	4%	4%	100%
Polietileno	52%	48%	41%	95%
Goma	3%	3%	3%	34%

## TABLE DES MATIÈRES

	Page
<b>Introduction</b> .....	C-3
Pièces et service après-vente .....	C-3
Modifications.....	C-3
Plaque d'identification.....	C-3
Déballage de la machine .....	C-3
Avertissements .....	C-4
Instructions de mise à la terre .....	C-5
 <b>Apprenez à connaître votre machine</b> .....	 C-6 – C-7
Apprenez à connaître votre plaque d'interrupteur .....	C-8
 <b>Préparation de la machine</b> .....	 C-9
 <b>Fonctionnement de la machine</b> .....	 C-10 – C-11
 <b>Après l'utilisation</b>	
Après l'utilisation de la machine .....	C-12
 <b>Entretien</b>	
Programme d'entretien .....	C-12
Maintenance du cordon d'alimentation.....	C-12
 Dépannage .....	 C-13
Spécifications techniques .....	C-13
Composition des matériaux et recyclabilité .....	C-13
 <b>SECTION II – Liste des pièces</b>	
Vue générale .....	D-2
Autocollants .....	D-3
Système de base 100 .....	D-4 – D-5
Système de base 200 .....	D-6 – D-7
Système de base 400 .....	D-8 – D-9
Système de récupération.....	D-10 – D-11
Système de solution .....	D-12 – D-13
Schéma de câblage avec cordon unique .....	D-14
Schéma de câblage avec deux cordons.....	D-15
Options et accessoires .....	D-16
Schémas de l'écoulement de l'eau.....	D-17 – D-19

## INTRODUCTION

Ce mode d'emploi vous permettra d'exploiter au maximum les fonctionnalités de votre extracteur HydraMaster. Lisez-le attentivement avant d'utiliser la machine.

Ce produit est conçu pour un usage commercial uniquement.

## PIÈCES ET SERVICE APRÈS-VENTE

Si nécessaire, les réparations doivent être effectuées par votre centre de service HydraMaster agréé. Ce centre emploie du personnel formé en usine et maintient un inventaire de pièces de rechange et d'accessoires d'origine de la marque HydraMaster.

Pour tout entretien ou réparation, contactez le REVENDEUR HYDRAMASTER mentionné ci-dessous. Veuillez préciser le modèle et le numéro de série de votre machine dans toute communication.

## MODIFICATIONS

Les modifications et ajouts d'éléments à la machine de lavage, qui affectent ses capacités et son fonctionnement sécurisé, ne doivent pas être réalisés sans le consentement préalable et écrit de HydraMaster. Toute altération non approuvée annulera la garantie de la machine. En outre, le client sera entièrement responsable des accidents associés.

## PLAQUE D'IDENTIFICATION

Le modèle et le numéro de série de votre machine figurent sur la plaque d'identification située à l'arrière, à la base de la machine. Ces informations sont nécessaires lors de la commande de pièces détachées. Utilisez l'espace ci-dessous pour consigner ces renseignements en vue d'une utilisation ultérieure. **N'oubliez pas d'enregistrer votre garantie en ligne sur [www.hydramaster.com/Support/WarrantyRegistration.aspx](http://www.hydramaster.com/Support/WarrantyRegistration.aspx)**

MODÈLE \_\_\_\_\_

NUMÉRO DE SÉRIE \_\_\_\_\_

## DÉBALLAGE DE LA MACHINE

Lors de la livraison de la machine, veuillez inspecter soigneusement le carton de conditionnement et la machine elle-même afin de déceler tout dommage éventuel. En cas de dommages manifestes, conservez le carton de conditionnement afin d'en permettre l'inspection. Contactez le service client d'HydraMaster immédiatement pour faire une déclaration de dommages de transport, en appelant le 800.426.1301.

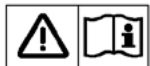
## AVERTISSEMENT !

Les Produits vendus avec le présent manuel contiennent ou peuvent contenir des produits chimiques reconnus par certains gouvernements (comme l'État de Californie, par le biais de la proposition de loi d'avertissement réglementaire 65) comme provoquant des cancers, des anomalies congénitales et autres dangers pour la reproduction. Dans certains endroits (comme l'État de Californie), les acheteurs de ces Produits, qui les utilisent sur un lieu de travail ou dans un espace public, ont l'obligation d'apposer certains avis, avertissements ou informations concernant les produits chimiques qui sont ou peuvent être contenus dans les Produits dans ces lieux ou aux alentours de ces lieux de travail. Il incombe à l'acheteur de connaître les dispositions de, et de respecter, toutes les lois et réglementations ayant trait à l'utilisation de ces Produits au sein de tels environnements. Le Fabricant rejette toute responsabilité d'informer les acheteurs concernant des exigences spécifiques qui peuvent s'appliquer à l'utilisation des Produits dans de tels environnements.

## CONSIGNES DE SÉCURITÉ IMPORTANTES

Cette machine est conçue uniquement pour une utilisation commerciale, comme dans des hôtels, des écoles, des hôpitaux, des usines, des magasins et des bureaux, tout ce qui ne concerne pas les travaux ménagers.

Lorsque vous utilisez un appareil électrique, certaines règles de base doivent toujours être observées, notamment celles énoncées ci-après :



**NOTE** : lisez toutes les instructions avant d'utiliser la machine.

### **AVERTISSEMENT !**

#### **Afin de réduire les risques d'incendie, de décharge électrique ou de blessure :**

- Ne laissez pas la machine sans surveillance lorsqu'elle est branchée. Débranchez l'unité de la prise électrique quand : elle n'est pas utilisée, avant de la nettoyer, avant un entretien ou une maintenance, et pour remplacer des pièces ou convertir la machine pour une autre fonction.
- Afin d'éviter tout choc électrique, n'exposez pas la machine à la pluie ou à la neige. Rangez et utilisez cette machine uniquement à l'intérieur, dans un endroit chauffé. Ne laissez pas la machine ou la lance geler.
- Cet appareil ne doit pas être utilisé comme un jouet. Faites très attention lorsque l'appareil est utilisé à proximité d'enfants.
- Les nettoyeurs à haute pression ne doivent pas être utilisés par des enfants ou des personnes non qualifiées.
- Utilisez cet appareil uniquement comme décrit dans le présent manuel. Utilisez uniquement les accessoires recommandés par le fabricant.
- N'ajoutez jamais une eau à plus de 54°C dans le réservoir de solution.
- Utilisez toujours un agent anti-mousse en cas de moussage pour éviter d'endommager le moteur.
- Ne laissez pas la pompe tourner à vide.
- N'utilisez pas l'appareil si le cordon ou la prise sont endommagés. Si la machine ne fonctionne pas correctement, si elle est tombée, endommagée, restée à l'extérieur, voire même lâchée dans l'eau, renvoyez-la dans un centre de service.
- Arrêtez toutes les commandes avant de débrancher l'appareil.
- Ne tirez pas l'appareil par le cordon électrique. N'utilisez pas non plus le cordon comme une poignée et ne l'enroulez pas autour d'objets pointus ou tranchants. Évitez également de refermer une porte sur le cordon. Évitez de faire rouler la machine sur le cordon. Le cordon doit rester loin de toute surface chauffée. Pour débrancher la machine, saisissez la prise et non le cordon.
- Ne manipulez pas la prise, le cordon ou la machine avec les mains humides.
- La longueur des rallonges doit être de 1 à 15 m maximum. Remplacez ou débranchez immédiatement le cordon si le conducteur de terre est endommagé.
- Branchez uniquement l'appareil à une prise correctement mise à la terre.
- N'introduisez aucun objet dans les orifices de l'appareil. N'utilisez pas l'appareil si l'un de ses orifices est bloqué. Conservez à l'abri des poussières, cheveux, peluches, etc., qui risquent de réduire le débit d'air.
- Évitez que des cheveux, doigts ou vêtements amples ne soient entraînés dans les parties mobiles de la machine ou pris dans un de ses orifices.
- N'aspirez aucun objet brûlant ou fumant, tel que des cigarettes, des allumettes, des cendres chaudes, ni aucune poussière nuisible à la santé. N'utilisez pas la machine pour ramasser des liquides inflammables ou combustibles, tels que de l'essence, ou à proximité de telles substances.
- Risque d'explosion – Ne pulvérisez pas des liquides inflammables.
- Faire très attention en nettoyant des escaliers.
- Pour éviter des brûlures, portez des gants ou utilisez des chiffons pour desserrer les raccords rapides.
- Tout liquide éjecté du gicleur peut être dangereux en raison de sa température, de sa pression ou de sa nature chimique.
- Les jets à haute pression peuvent être dangereux s'ils sont mal utilisés. Le jet ne doit pas être dirigé vers une personne, un équipement électrique actif ou la machine elle-même.
- N'utilisez pas la machine à proximité de personnes sauf si ces dernières portent des vêtements de protection.
- Ne dirigez pas le jet vers d'autres personnes ou vous-même afin de nettoyer des vêtements ou des chaussures.
- Les tuyaux, raccords et accouplements à haute pression sont importants pour la sécurité de la machine. Utilisez uniquement des tuyaux, raccords et accouplements recommandés par le fabricant.
- Pour assurer la sécurité de la machine, utilisez uniquement des pièces de rechange d'origine ou approuvées par le fabricant.
- L'eau qui a traversé des disconnecteurs hydrauliques est considérée comme non potable.
- N'utilisez pas la machine si un cordon électrique ou des pièces importantes sont endommagés, ex. dispositifs de sécurité, tuyaux à haute pression, pistolet à gâchette, etc.



## INSTRUCTIONS DE MISE À LA TERRE POUR 120 V C.A.

Cet appareil doit être mis à la terre. En cas de mauvais fonctionnement, la mise à la terre établit un trajet de moindre résistance pour le courant électrique pour réduire le risque de décharge électrique. Cet appareil est équipé d'un cordon doté d'un conducteur de protection et d'une prise de mise à la terre. La prise doit être branchée dans une prise murale appropriée, correctement installée et mise à la terre, en accord avec tous les codes et consignes locaux.

### **⚠ DANGER !**

Un conducteur de protection incorrectement branché peut entraîner un risque de décharge électrique. Vérifiez avec un électricien ou un technicien qualifié en cas de doute sur la mise à la terre correcte de la prise. Ne modifiez pas la prise fournie avec l'appareil. Si elle ne peut être branchée, faites installer une prise murale appropriée par un électricien qualifié.

Cet appareil est destiné à être utilisé sur un circuit de 120 volts et possède une prise de mise à la terre comme celle illustrée à la Figure 1. Un adaptateur temporaire illustré sur les Figures 2 et 3 peut être utilisé pour brancher cette dernière à une prise fixe bipolaire, illustrée à la Figure 2, si une prise correctement mise à la terre n'est pas disponible. L'adaptateur temporaire doit être utilisé jusqu'à ce qu'une prise correctement mise à la terre (Figure 1) soit installée par un électricien qualifié. La languette rigide de couleur verte, ou autre dispositif du même genre, de l'adaptateur doit être connectée à une mise à la terre permanente telle qu'une prise correctement reliée à la terre. Lorsque l'adaptateur est utilisé, il doit être maintenu en position par une vis métallique. Les adaptateurs de mise à la terre ne sont pas conçus pour une utilisation au Canada.

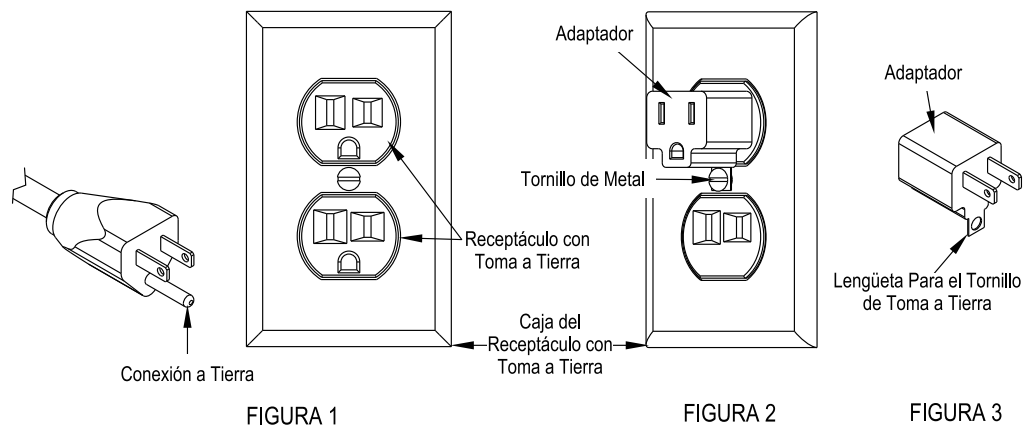
Remplacez la prise si la broche de mise à la terre est endommagée ou cassée.

Le fil vert (ou vert/jaune) est le fil de terre. Lorsque vous remplacez la prise, ce fil doit être connecté à la broche de mise à la terre uniquement.

Les cordons prolongateurs connectés à cette machine doivent être des rallonges à trois conducteurs de calibre 12, avec fiches et des prises à trois broches. N'utilisez PAS des cordons prolongateurs de plus de 15 m.

### **⚠ AVERTISSEMENT !**

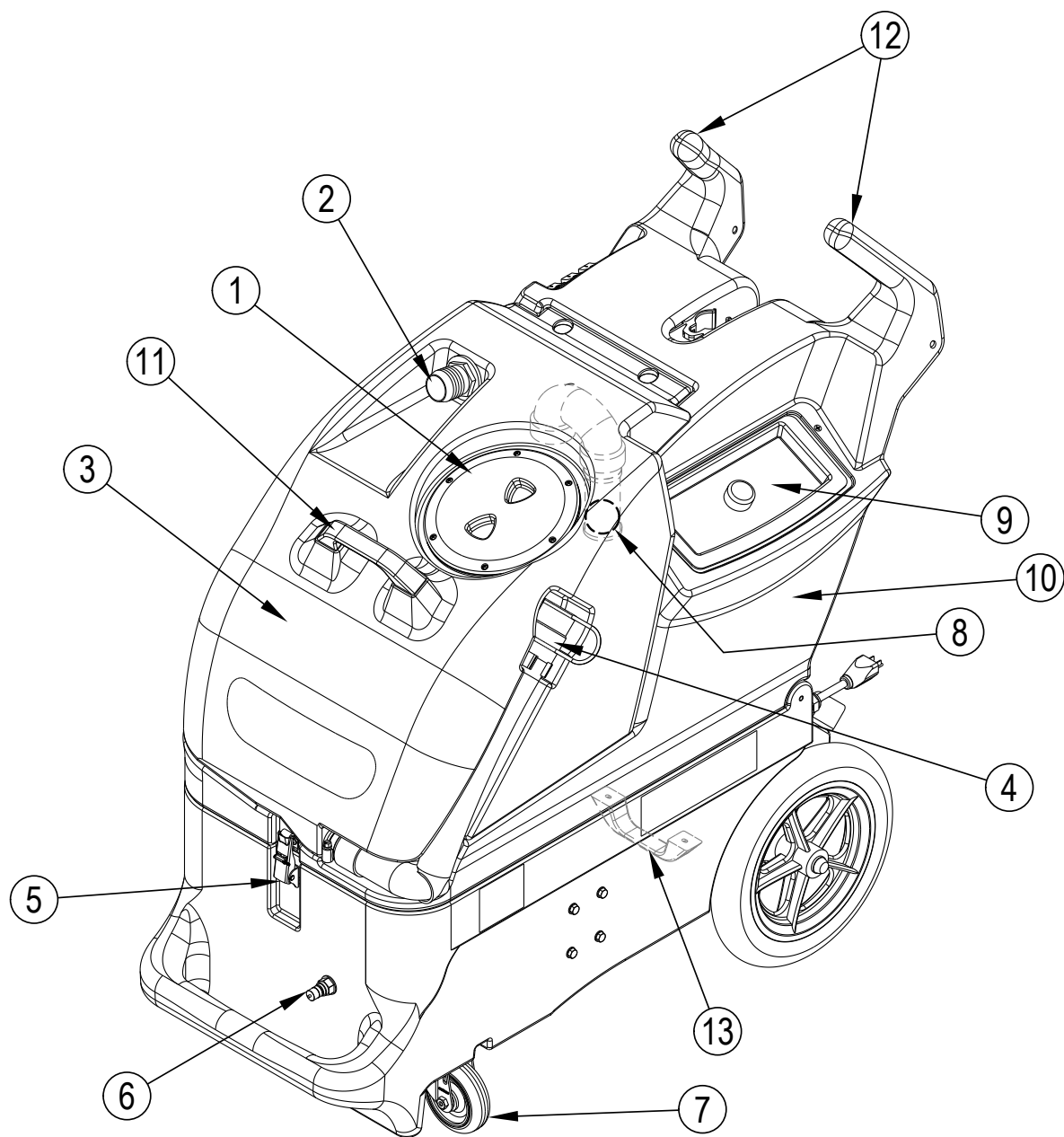
- Si une rallonge est utilisée, la prise de la rallonge et la prise murale doivent être étanches.
- Les rallonges électriques inappropriées peuvent présenter des risques.



**REMARQUE : UNIQUEMENT POUR L'AMÉRIQUE DU NORD**

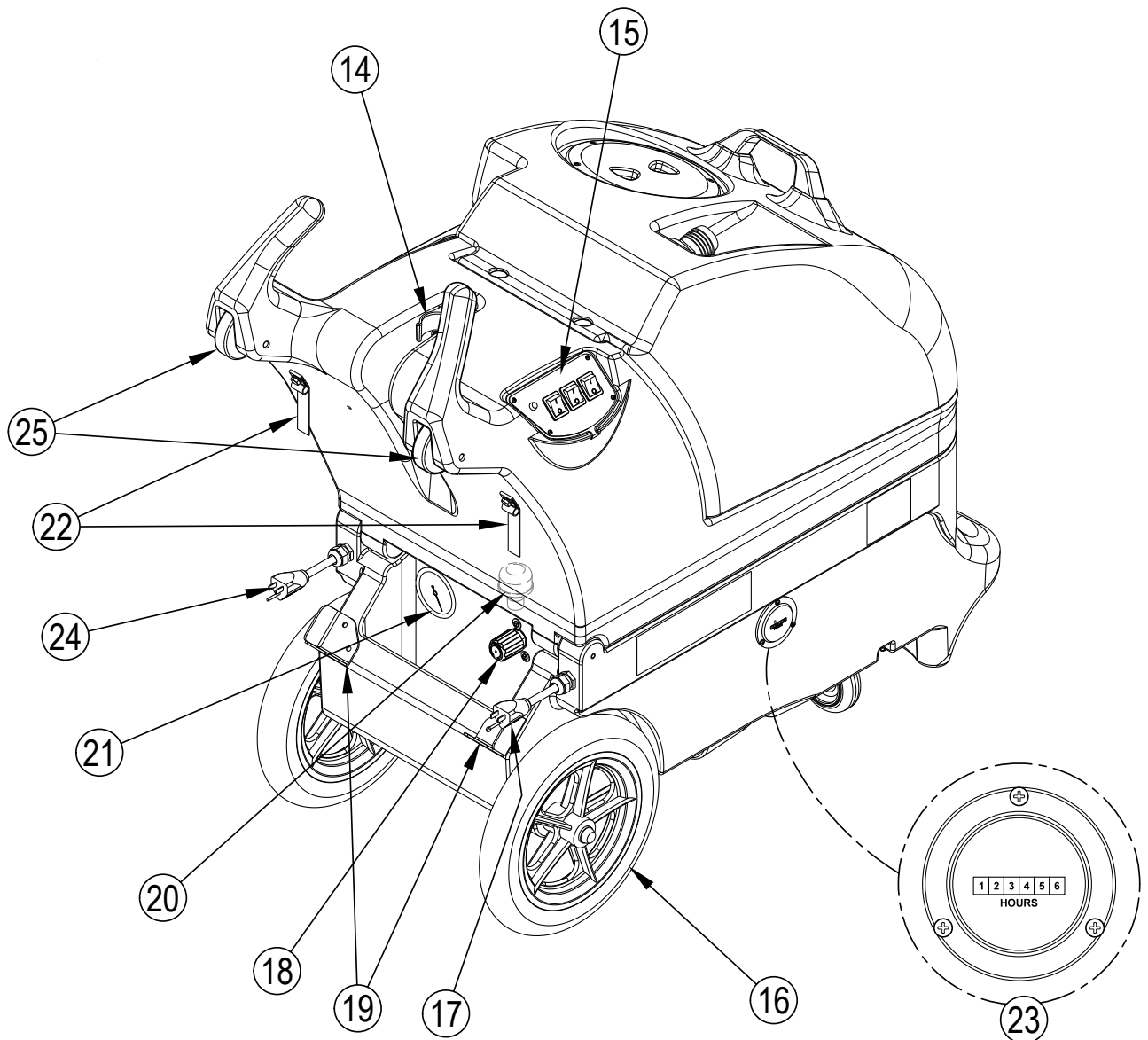
**APPRENEZ À CONNAÎTRE VOTRE MACHINE**

- 1 Couvercle du réservoir de récupération
- 2 Raccord fileté du tuyau d'aspiration
- 3 Réservoir de récupération
- 4 Tuyau de vidange du réservoir de récupération
- 5 Loquet
- 6 Raccord rapide du tuyau de solution
- 7 Roulette
- 8 Système de fermeture à flotteur du réservoir de récupération
- 9 Goulot de remplissage du réservoir de solution
- 10 Réservoir de solution
- 11 Poignée de transport
- 12 Poignées
- 13 Poignée de chargement



**APPRENEZ À CONNAÎTRE VOTRE MACHINE (SUITE)**

- 14 Clip de rangement de la lance
- 15 Plaque d'interrupteur
- 16 Roue
- 17 Cordon électrique (jaune) (100H, 200H et 400H uniquement)
- 18 Bouton de réglage de la pression (200H et 400H uniquement)
- 19 Support de retenue de la lance
- 20 Filtre de solution (à l'intérieur du réservoir de solution)
- 21 Manomètre (200H et 400H uniquement)
- 22 Attaches de retenue des cordons (deux)
- 23 Horomètre (optionnel)
- 24 Cordon électrique (rouge)
- 25 Roues de chargement

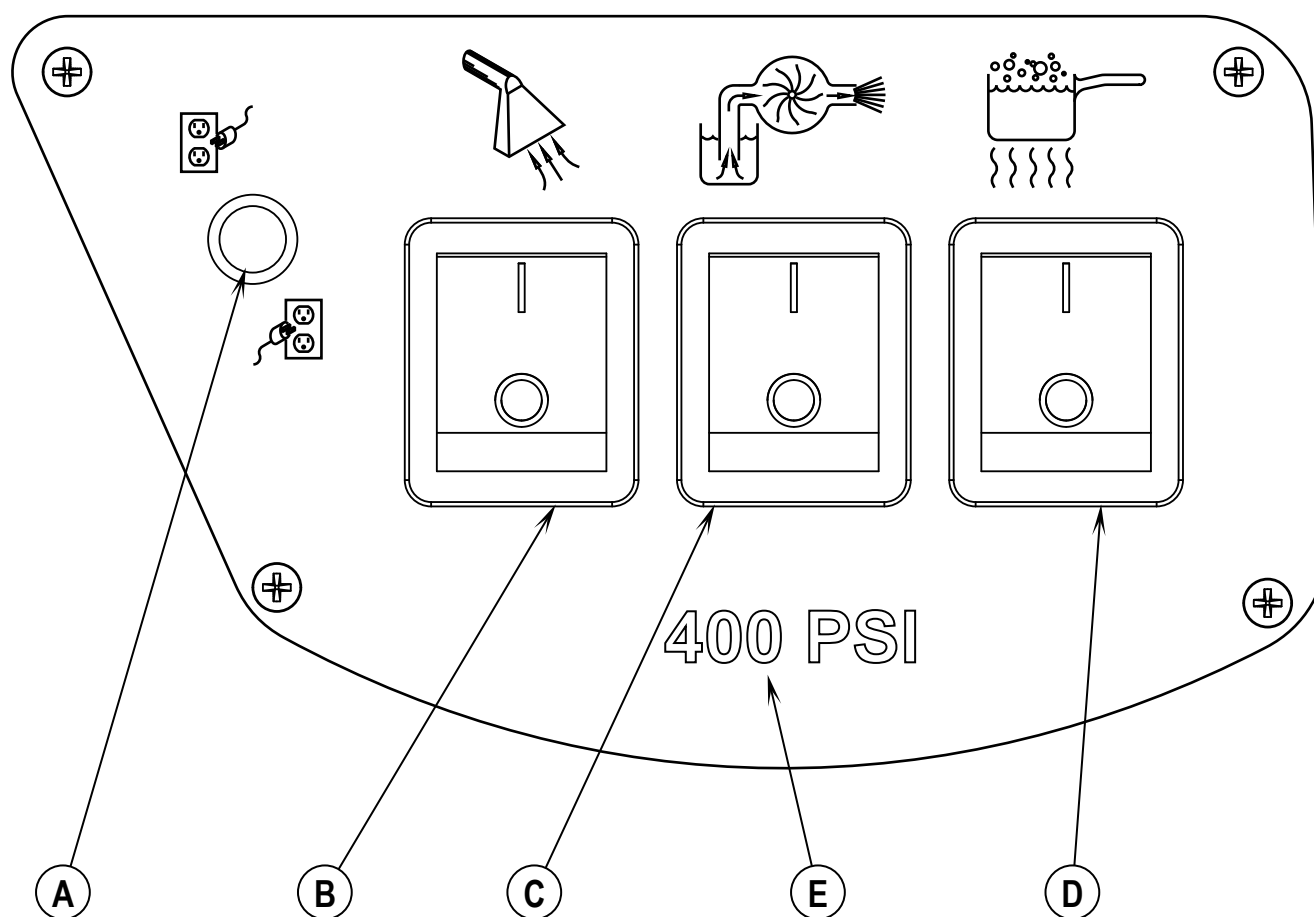


**APPRENEZ A CONNAÎTRE VOTRE PLAQUE D'INTERRUPTEUR**

- A Indicateur de circuit (vert)** – Quand ce voyant est allumé, il indique que les deux cordons sont branchés à des circuits séparés (pas utilisé sur le modèle 100SC). NOTE : si ce voyant n'est pas allumé, les deux cordons électriques sont peut-être branchés sur le même circuit, ce qui peut déclencher le disjoncteur situé dans le mur.
- B Interrupteur d'aspiration** – Démarre et éteint le moteur d'aspiration.
- C Interrupteur de la pompe** – Démarre et éteint la pompe.
- D Interrupteur du chauffe-eau** – Allume et éteint le chauffe-eau.
- E Pression** – Cette étiquette identifie la pression maximale de votre machine.

**⚠ ATTENTION !**

Le disjoncteur situé dans le mur peut se déclencher si les deux cordons sont branchés sur le même circuit.



## PRÉPARATION DE LA MACHINE À L'UTILISATION

- 1 Inspectez la propreté et l'état complet de la machine, des tuyaux et des accessoires de nettoyage.
- 2 Fermez le couvercle du réservoir de récupération (1) en le vissant. Vérifiez que le bouchon du tuyau de vidange du réservoir de récupération (4) est correctement fermé.
- 3 Avant d'utiliser l'extracteur, pulvérisez le détergent de votre choix sur les zones de fort trafic et autres. Préparez le mélange de pré-vaporisation selon les indications du fabricant de détergents.
- 4 Remplissez le réservoir de solution d'eau propre (capacité de 47 l) par son orifice de remplissage (9). Si vous le souhaitez, ajoutez un détergent ou un mélange nettoyant de votre choix (nous recommandons un détergent approuvé CRI). Si vous ajoutez un détergent dans le réservoir de solution, assurez-vous de bien mélanger le produit et l'eau, et respectez toujours les instructions d'utilisation et de dilution du fabricant de détergents. Utilisez uniquement un détergent dont le pH est situé entre 5 et 10. Bien que cette machine soit conçue pour fournir instantanément de l'eau chaude (modèles à chauffe-eau uniquement), l'ajout d'eau chaude dans le réservoir de solution peut améliorer l'efficacité du chauffe-eau. N'utilisez jamais une eau à plus de 54 °C dans le réservoir de solution.

### **ATTENTION !**

Utilisez des détergents liquides peu moussants, conçus pour le nettoyage des tapis.

## UTILISATION DE LA MACHINE

- 1 Suivez les instructions de la section *Préparation de la machine à l'utilisation* du présent manuel.
- 2 Arrêtez tous les interrupteurs. Branchez les cordons électriques dans des prises de terre correctes. Ne branchez pas les deux cordons à la même prise ; le voyant Indicateur de circuit (A) de la plaque d'interrupteur doit s'allumer. Si ce voyant ne s'allume pas, essayez d'autres prises jusqu'à ce qu'il s'allume.
- 3 Fixez le tuyau d'amorçage à la machine et placez l'extrémité ouverte dans le réservoir de solution.
- 4 Mettez la pompe de solution (C) en marche et laissez-la fonctionner jusqu'à ce qu'elle soit totalement amorcée (30 à 60 secondes environ). Dès que la pompe est amorcée, arrêtez-la et retirez le tuyau d'amorçage. **NOTE** : si l'amorçage est difficile, placez l'extrémité ouverte du tuyau d'amorçage dans le raccord fileté de l'entrée d'aspiration, et activez l'aspiration (B). Utilisez votre main pour bloquer la zone ouverte du raccord fileté. Ainsi, la pompe et l'aspiration peuvent fonctionner ensemble pour déplacer l'eau.
- 5 Branchez une conduite de solution au raccord rapide du tuyau de solution (6). Fixez l'autre extrémité de la conduite de solution à l'accessoire de nettoyage.
- 6 Branchez un tuyau d'aspiration au raccord fileté (2). Fixez l'autre extrémité du tuyau d'aspiration à l'accessoire de nettoyage.
- 7 Pour laver avec de l'eau chaude, appuyez sur l'interrupteur du chauffe-eau (D). Attendez deux minutes que l'échangeur de chaleur atteigne la température nécessaire.
- 8 Placez l'interrupteur de la pompe (C) en position de marche (I).
- 9 Placez l'interrupteur d'aspiration (B) en position de marche (I).
- 10 Vaporisez à l'aide de l'accessoire pendant quelques minutes pour remplir les conduites de solution. Commencez à nettoyer.
- 11 **Note pour les modèles 200H et 400H uniquement** : pour ajuster la pression de pulvérisation de la solution, tournez le bouton de réglage de la pression (18) en sens horaire pour augmenter la pression et en sens antihoraire pour diminuer la pression. La pression de pulvérisation de la pompe peut être vérifiée pendant la pulvérisation grâce au manomètre (21). Assurez-vous que l'accessoire de nettoyage vaporise pendant que vous ajustez la pression. Dans le cas contraire, la lecture de la pression sera inexacte.
- 12 Surveillez le fluide entrant par le couvercle du réservoir de récupération (1). En présence de mousse excessive dans le réservoir de récupération, ajoutez un agent anti-mousse dans ce réservoir.

### ATTENTION !

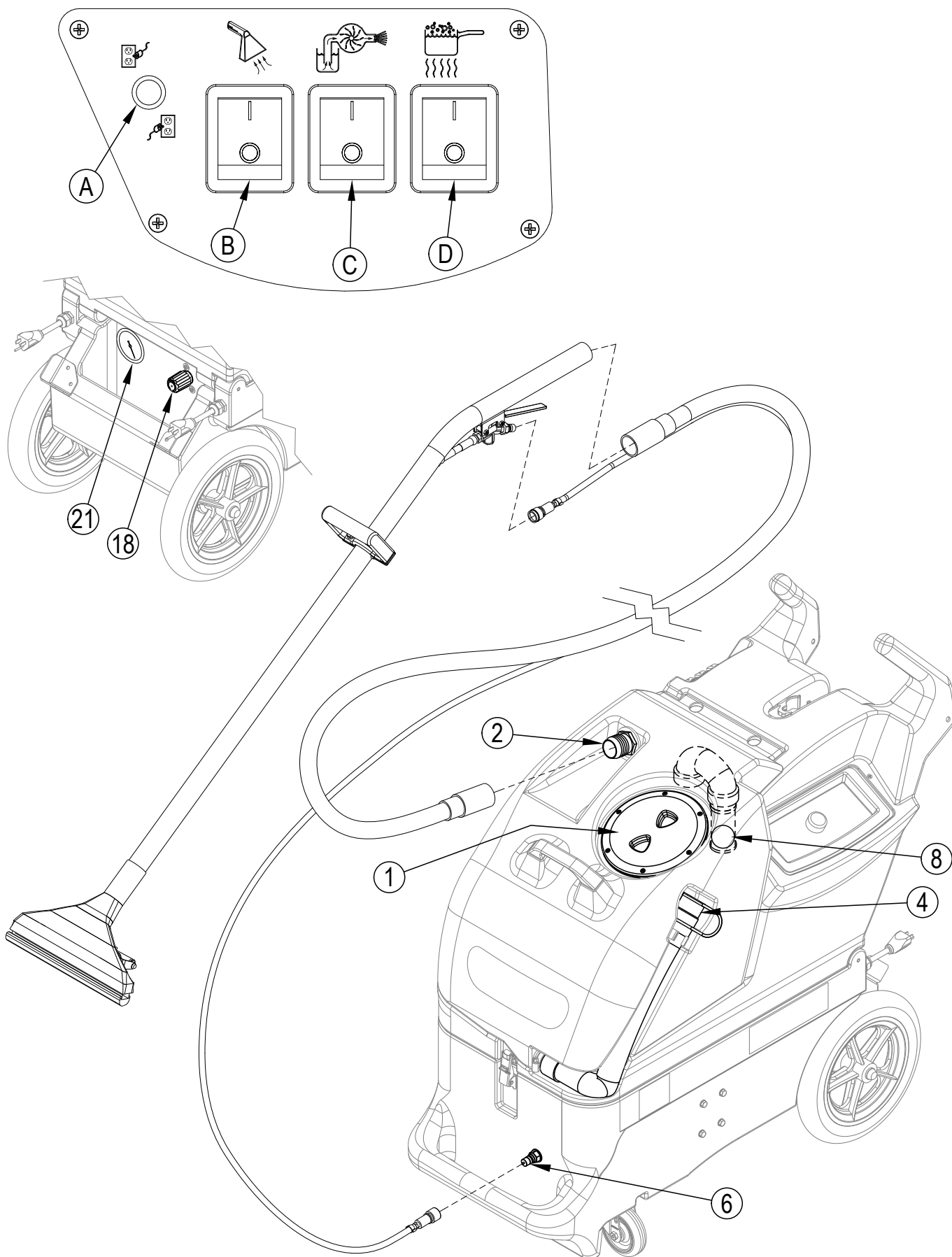
- Videz le réservoir de récupération avant que le fluide ou la mousse n'atteigne le moteur d'aspiration.
- Si la mousse ou le fluide s'échappe de la machine, arrêtez immédiatement la machine.

### ATTENTION !

Assurez-vous toujours que le flotteur est propre et se déplace librement avant de mettre la machine en marche. Un flotteur bloqué entraîne une aspiration d'eau dans le moteur d'aspiration, endommageant ledit moteur.

- 13 Le réservoir de récupération est équipé d'un système de fermeture à flotteur (8) pour bloquer le système d'aspiration lorsque le réservoir est plein. Une modification soudaine du bruit du moteur d'aspiration vous permet de savoir quand le flotteur bloque le passage. Lorsque le flotteur ferme le réservoir de récupération, ce dernier doit être vidé. La machine peut continuer à distribuer la solution, mais ne ramassera **pas** d'eau avec le flotteur fermé.
- 14 Vérifiez le niveau d'eau dans le réservoir de solution. Ne laissez pas la pompe tourner à vide. Quand le niveau du réservoir de solution est bas, arrêtez la pompe et le moteur d'aspiration, remplissez le réservoir de solution avec de l'eau et le volume correct de détergent de nettoyage. Videz le réservoir de récupération et continuez le nettoyage.
- 15 Quand vous avez terminé le travail, aspirez dans le réservoir de récupération la totalité de la solution restant dans le réservoir de solution et arrêtez la pompe, le moteur d'aspiration et l'échangeur de chaleur. Débranchez la machine.
- 16 Amenez la machine vers un « SITE DE DÉCHARGE » des eaux usées et videz le réservoir de récupération. Pour le vider, tirez le tuyau de vidange du réservoir de récupération (4) de son dispositif de rangement latéral, puis retirez le bouchon (maintenez l'extrémité du tuyau au-dessus du niveau d'eau du réservoir afin d'éviter tout déversement accidentel d'eaux usées).
- 17 Respectez les instructions de la section *Après l'utilisation de la machine* du présent manuel.

# UTILISATION DE LA MACHINE



## APRÈS L'UTILISATION DE LA MACHINE

- 1 Pour vider le réservoir de solution, ouvrez le goulot de remplissage (9) et aspirez la totalité de la solution restante dans le réservoir de récupération à l'aide du tuyau d'aspiration. Rincez le réservoir à l'eau claire.
- 2 Placez tous les interrupteurs (B, C et D) en position d'arrêt (O). Débranchez les cordons électriques (17, 24). Enroulez les cordons et fixez-les à l'arrière de la machine en utilisant les deux attaches de retenue des cordons (22).
- 3 Pour vider le réservoir de récupération, tirez son tuyau de vidange (4) du dispositif de rangement latéral, puis retirez le bouchon (maintenez l'extrémité du tuyau au-dessus du niveau d'eau du réservoir afin d'éviter tout déversement accidentel d'eaux usées). Rincez le réservoir à l'eau claire. Inspectez le tuyau de vidange ; remplacez-le s'il est endommagé ou tordu.
- 4 Débranchez les tuyaux de solution et d'aspiration de la machine au niveau du raccord rapide du tuyau de solution (6) et du raccord fileté du tuyau d'aspiration (2). Rincez le tuyau d'aspiration à l'eau chaude pour éliminer les débris présents dans le tuyau et l'accessoire de nettoyage. Vérifiez la présence de dommages.
- 5 Essuyez la machine avec un chiffon humide. N'utilisez pas de produits chimiques abrasifs ou de solvants.
- 6 Avant de ranger la machine, effectuez toutes les tâches de maintenance nécessaires.

## PROGRAMME DE MAINTENANCE

ÉLÉMENT	Tous les jours	Chaque semaine	Tous les mois	Tous les ans
Vérification / nettoyage des réservoirs et tuyaux	X			
Vérification / nettoyage du système de fermeture à flotteur du réservoir de récupération	X			
Nettoyage de l'accessoire / lance d'extraction	X			
Inspection et nettoyage du filtre de solution		X		
Utilisez un composé de rinçage (détartrez la machine)			X	
*Vérification des balais de carbone				X

\* Demandez à un technicien d'entretien d'HydraMaster de vérifier les balais de carbone du moteur d'aspiration une fois par an ou toutes les 300 heures de fonctionnement. Les balais de carbone des moteurs de la pompe doivent être vérifiés une fois par an ou toutes les 500 heures de fonctionnement.

## IMPORTANT !

Les dommages occasionnés au moteur suite à un manque d'entretien des balais de carbone ne sont pas couverts par la garantie. Consultez la Déclaration de responsabilité limitée.

- 7 Rangez la machine à l'intérieur, dans un endroit sec et propre, le couvercle du réservoir de récupération étant ouvert. Maintenez-la à l'abri du gel.
- 8 Graissez les roues, les roulettes et les raccords rapides avec un spray universel au silicone.
- 9 Une fois par mois, faites circuler un composé de rinçage (un détartrant doux) dans la machine pour éliminer toute accumulation de minéraux ou de produits chimiques. Rincez le détartrant présent dans le système avec quelques litres d'eau pure.

## MAINTENANCE DU CORDON ÉLECTRIQUE

Une fois par semaine (ou plus souvent si nécessaire), vérifiez les cordons électriques : la gaine ne présente aucune craquelure ou autre dommage, aucun fil n'est dénudé dans le cordon ou la prise, et la broche de terre n'est pas endommagée ou absente. Réparez ou remplacez **immédiatement** le cordon ou la prise s'ils sont endommagés.



**DÉPANNAGE :****SI CE PROBLÈME  
SURVIENT****VÉRIFIEZ CE POINT**

AUCUNE PULVÉRISATION	Le réservoir de solution est vide ou le filtre est colmaté. Colmatage de la (les) buse(s) de pulvérisation. Pompe ne fonctionne pas ou non amorcée. Vanne sur la lance ne fonctionne pas. Le tuyau de solution n'est pas correctement branché au tuyau ou à la machine.
POMPE NE FONCTIONNE PAS	Le moteur de cette pompe fonctionne sur une tension c.a. Il doit donc démarrer dès que vous appuyez sur l'interrupteur. Si le moteur de la pompe ne démarre pas, vérifiez le câblage vers l'interrupteur et vers le moteur. Vérifiez l'interrupteur pour vous assurer qu'il est « ouvert ». Vérifiez la tension vers cet interrupteur.
ASPIRATION FAIBLE	Débris colmatant l'accessoire de nettoyage ou le tuyau d'aspiration. Le bouchon du tuyau de vidange n'est pas totalement fermé. Couvercle du réservoir de récupération pas correctement placé, ou joint endommagé.
AUCUNE ASPIRATION	Bille dans le flotteur bloquant le débit d'air. Arrêtez l'aspiration afin que la bille redescende, ou le réservoir de récupération est plein et doit être vidé. Aucun courant vers le moteur. Testez l'interrupteur. Testez le moteur d'aspiration.
CHAUFFAGE FAIBLE	Pulvérisation trop longue. Tentez de vaporiser pendant 12-15 secondes ou environ trois appuis. L'échangeur de chaleur doit être nettoyé. Mauvais accessoire utilisé. Circulation d'une quantité d'eau excessive. Tuyau plus long ou plus large que la normale.
AUCUN CHAUFFAGE	Chauffe-eau ne fonctionne pas. Le voyant d'indicateur de circuit vert doit être allumé. Aucune électricité au niveau de la prise murale. Vérifiez si le disjoncteur s'est déclenché. Contactez votre revendeur pour obtenir de l'aide.

**SPÉCIFICATIONS TECHNIQUES (UNITÉ TELLE QU'INSTALLÉE ET TESTÉE)**

Modèle	Hydraport 100SC	Hydraport 100H	Hydraport 200H	Hydraport 400H
N° de modèle	56384889	56384890	56384891	56384892
Tension/fréquence	120 V / 60 Hz	120 V / 60 Hz	120 V / 60 Hz	120 V / 60 Hz
Courant nominal	15 A	15 A	15 A	15 A
Classe de protection (électrique)	Classe 1	Classe 1	Classe 1	Classe 1
Capacité du réservoir de solution	12.5 gal (47 L)	12.5 gal (47 L)	12.5 gal (47 L)	12.5 gal (47 L)
Capacité du réservoir de récupération	11.0 gal (42 L)	11.0 gal (42 L)	11.0 gal (42 L)	11.0 gal (42 L)
Poids total	87 lbs. (39.4 kg)	87 lbs. (39.4 kg)	93 lbs. (42 kg)	110 lbs. (50 kg)

**Composition des matériaux et recyclabilité**

Type	% du poids de la machine	% du poids de la machine	% du poids de la machine	% recyclable
	100	200	400	
Aluminium	8%	8%	6%	100%
Système électrique / moteurs électriques / moteurs – divers	18%	22%	32%	33%
Métaux ferreux	7%	9%	9%	100%
Faisceaux / câbles	5%	4%	4%	75%
Liquides	0%	0%	0%	0%
Plastique – non recyclable	2%	2%	2%	0%
Plastique – recyclable	5%	4%	4%	100%
Polyéthylène	52%	48%	41%	95%
Caoutchouc	3%	3%	3%	34%



## TABLE OF CONTENTS

DESCRIPTION	PAGE
General View .....	D-2
Decal System.....	D-3
Base System 100.....	D-4 – D-5
Base System 200.....	D-6 – D-7
Base System 400.....	D-8 – D-9
Recovery System.....	D-10 – D-11
Solution System.....	D-12 – D-13
Ladder Diagram Single Cord .....	D-14
Ladder Diagram Dual Cord .....	D-15
Options & Accessories.....	D-16
Water Flow Diagrams.....	D-17 – D-19

## WHEN ORDERING PARTS

\* Use the part numbers from the "Ref. No." columns in this parts list. If the "Ref. No." column is blank; look under the "Kit" column to identify which kit contains the part in question, then use the kit callout, for example "K1", to find the "Ref. No." for that kit.

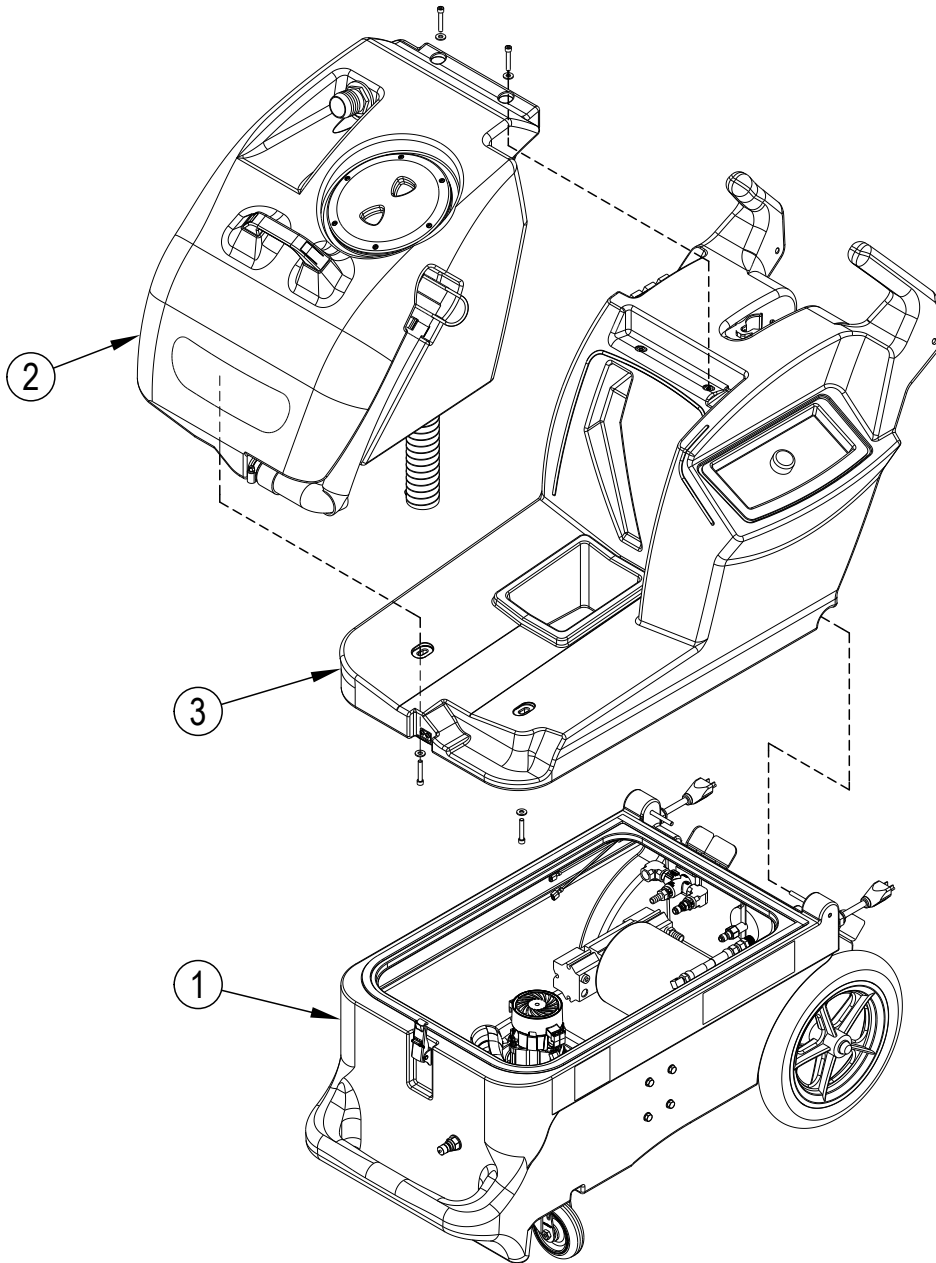
Kit	Item	Ref. No.	Qty	Description
K1	1		16	Washer Flat 3/16 Zinc Plat
K1	2		2	Screw-BHS-Brass-10-32x3/8-MS
K1	3		3	Washer EPDM 7/32 X 1/8
	4	805	1	Chain-Cover
	5	905	2	Caster Swivel 4 Gray Non MA
K1	6		2	Nut, Hex Nyl Loc 10-24
K1	7		3	Scr- Hex SS 1/4-20 X .75
K1	8		16	Scr, Hex Hd Loc 1/4-20 x .50
K1	9		3	Wsh, Flt SS .260 X 1.000 X .074
	10	56113012	1	Solution Tank
	11	56113034	2	Hinge Plate
K1		56113103	1	Kit-Hardware Solution Tank

\* Specify the model and serial number of the machine.

\* Use the space below to record the model and serial number for future reference.

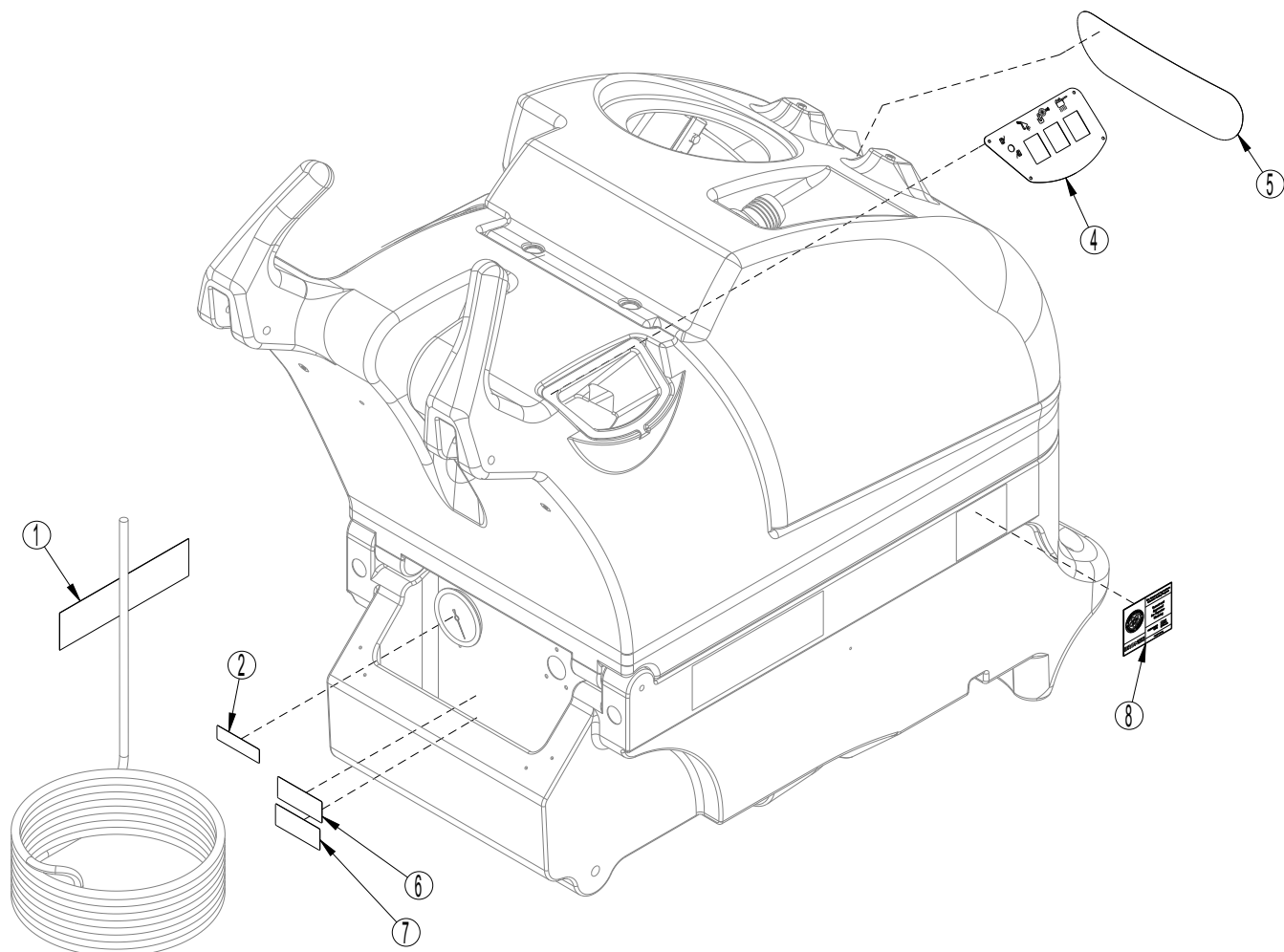
Model \_\_\_\_\_ Serial No. \_\_\_\_\_

## GENERAL VIEW



<u>Item</u>	<u>Ref. No.</u>	<u>Qty</u>	<u>Description</u>
1		1	Base System
2		1	Recovery System
3		1	Solution System

## DECAL SYSTEM

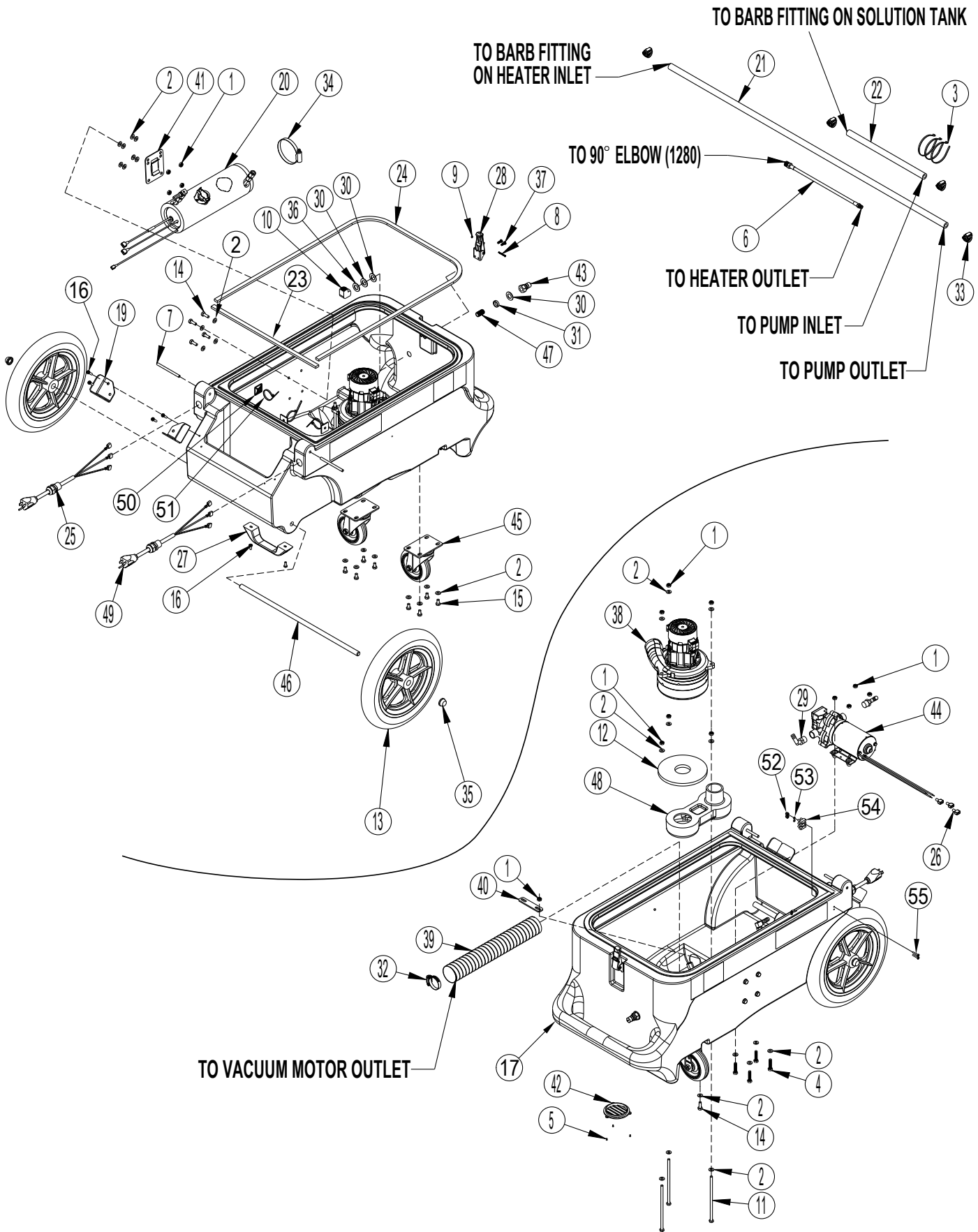


Item	Ref. No.	Qty	Description
1	4339	2	Label Caution / Extension Cord <b>qty of 1 used on 100SC (model 56384889)</b>
2	4344	1	Label Gauge Priming Warning 2 <b>NOTE 1</b>
4	56105380	1	Switchplate Overlay-100 SC <b>only used on 100SC (model 56384889)</b>
	56105381	1	Switchplate Overlay-100 <b>only used on 100H (model 56384890)</b>
	56105360	1	Switchplate Overlay-200 <b>only used on 200H (model 56384891)</b>
	56105383	1	Switchplate Overlay-400 <b>only used on 400H (model 56384892)</b>
5	56384922	1	Decal-Hydraport
6	56380692	1	Label Danger Electric Shock
7	1503A	1	Label Danger Electric Shock <b>NOTE 2</b>
8	2001A-CRI	2	Decal-CRI Bronze <b>NOTE 2</b>

**NOTE 1** = Only used on 200H and 400H (models 56384891 & 56384892)

**NOTE 2** = Only used on 100H, 200H and 400H (models 56384890, 56384891 & 56384892)

BASE SYSTEM 100



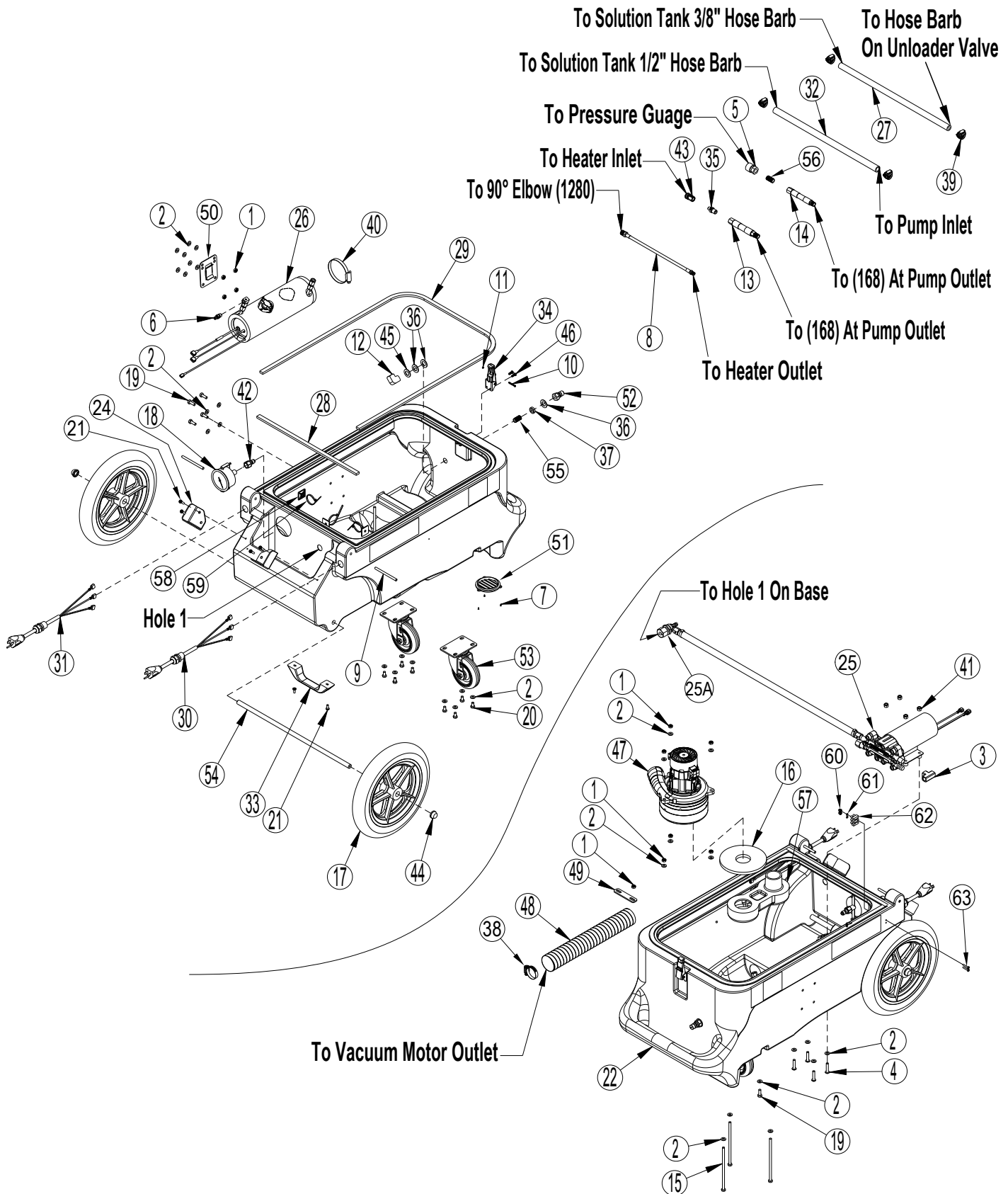
## BASE SYSTEM 100

Kit	Item	Ref. No.	Qty	Description	Kit	Item	Ref. No.	Qty	Description
K1	1		15	Nut-Nylock-Zp-1-4-20		28	56471194	1	Latch Assembly
K1	2		34	Washer Flat 3/16 Zinc Plat	K2	29		2	Hose Barb Nylon 90 3/8 X 3/8
	3	79	3	Tie, 8" Black	K1	30		3	Washer 1 Od X 9/16 Id X
K1	4		4	Bolt-Hex-Ss-Zinc Plate-1/4-20x1-1/4		31	116A	1	Bushing 3/4 X 9/16
K1	5		3	Screw-Fhp-Ss-2x1/4-Sms		32	156USP	1	Hose Clamp-Size 28-1-9/16- 2 1/2
	6	313	1	Hose S/S Braided Teflon 1/4		33	166USP	4	Hose Clamp-SS-3/8-7/8
	7	801	2	Hinge Pin Rod S/S 1/4 X		34	198USP	1	Hose Clamp 48 3-1/2dia 9
K1	8		1	Screw 2-56 X1 Panhead Philip		35	27AUSP	2	Axel Cap Black Pal Nut
K1	9		1	Nut, Finish 2-56 Thread Zp	K1	36		1	Washer Brass Half Hard 1 X
	10	1280	1	Elbow 90 Deg 1/4 Fpt X 1/4 F	K1	37		2	Bolt-Php-SS-8-32x1/2
K1	11		3	Bolt 1/4 X 20 6l Full Threa		38	56105255	1	Vacuum Motor, 3-Stage, 5.7
	12	2013	1	Gasket 1 Side Adhesive 5-1/2 O			56113056	1	Vac Motor Brush Kit-120V (for 56105255)
	13	2092	2	Wheel 12"X1" Black On Gray 1/2" Axle		39	430A	1	Vac Hose 2" ID X 13.5 Black Rubber
K1	14		5	Scr- Hex SS 1/4-20 X .75		40	4404C	1	Tank Mate Bar
K1	15		8	Scr. Hex Hd Loc		41	455USP	1	Mount Heat Exchanger
	16	56009005	6	Scr. Pan Phil Ss Type AB 10-16 X .75		42	459USP	1	Louver 2-1/2 Gray Plastic
	17	56105341	1	Base-100 PSI SC <b>NOTE 1</b>		43	45USP	1	Quick Disconnect Plug Male
		56105243	1	Base-100 PSI <b>NOTE 2</b>	K2	44		1	Pump 100 PSI
	[ ]	56105258	1	Harness-Main		45	905USP	2	Caster Swivel 4 Gray Non Ma
	19	56105370	2	Wand Bracket		46	910-1863	1	Axel Rod Zinc Plated 1/2 Ro
	20	56105371	1	Heater 1100w 120V <b>NOTE 1</b>		47	92AUSP	1	Nipple Stainless Steel 1/4 Pip
		56105372	1	Heater 1750w 120V <b>NOTE 2</b>		48	MA-6	1	Manifold For Cobra Black
	21	56105398	1	Hose 3/8 Id Red		49	56105263	1	Power Cord Pigtail-Red <b>NOTE 2</b>
	22	56105399	1	Hose 3/8 Id Red		50	1312	3	Mounting Pad
	23	56105407	1	Gasket-Poron 1/4x1/2x16.5		51	35	3	Tie 4 Black Weather Resis
	24	56105408	1	Gasket-Poron 1/4x1/2x63.5		52	16	4	Nut Nylon Lock 6/32 Z.P. qty of 2 on 56384889
	25	56105262	1	Power Cord Pigtail-Yellow		53	56002431	4	Wsh Fit SAE 4 qty of 2 on 56384889
K2	26		3	Term .250 Ins Tab		54	56183523	2	Terminal Block qty of 1 on 56384889
	27	56463650	1	Handle Grab		55	56002857	4	Scr Pan Phil 6-32 X .88
						[ ]	SUBSYP1	1	Syphon-Hose-HHP-12
						[ ]	2154	2	Power Cord 12/3 SJTW 25 Y <b>NOTE 3</b>
<b>Service Kits</b>									
K1	56105216		1	Kit-Hardware Base					
K2	56105217		1	Kit-Pump Complete 100PSI					
[ ]	FP256		1	Repair Kit Heat Bi-Metallic <b>NOTE 2</b>					
[ ]	FP256B		1	Repair Kit Heat Bi-Metallic <b>NOTE 1</b>					

[ ] = Not Shown

**NOTE 1** Only used on 100SC (model 56384889)**NOTE 2** Only used on 100H (model 56384890)**NOTE 3** Quantity of 1 on 100SC (model 56384889)

BASE SYSTEM 200





## BASE SYSTEM 200

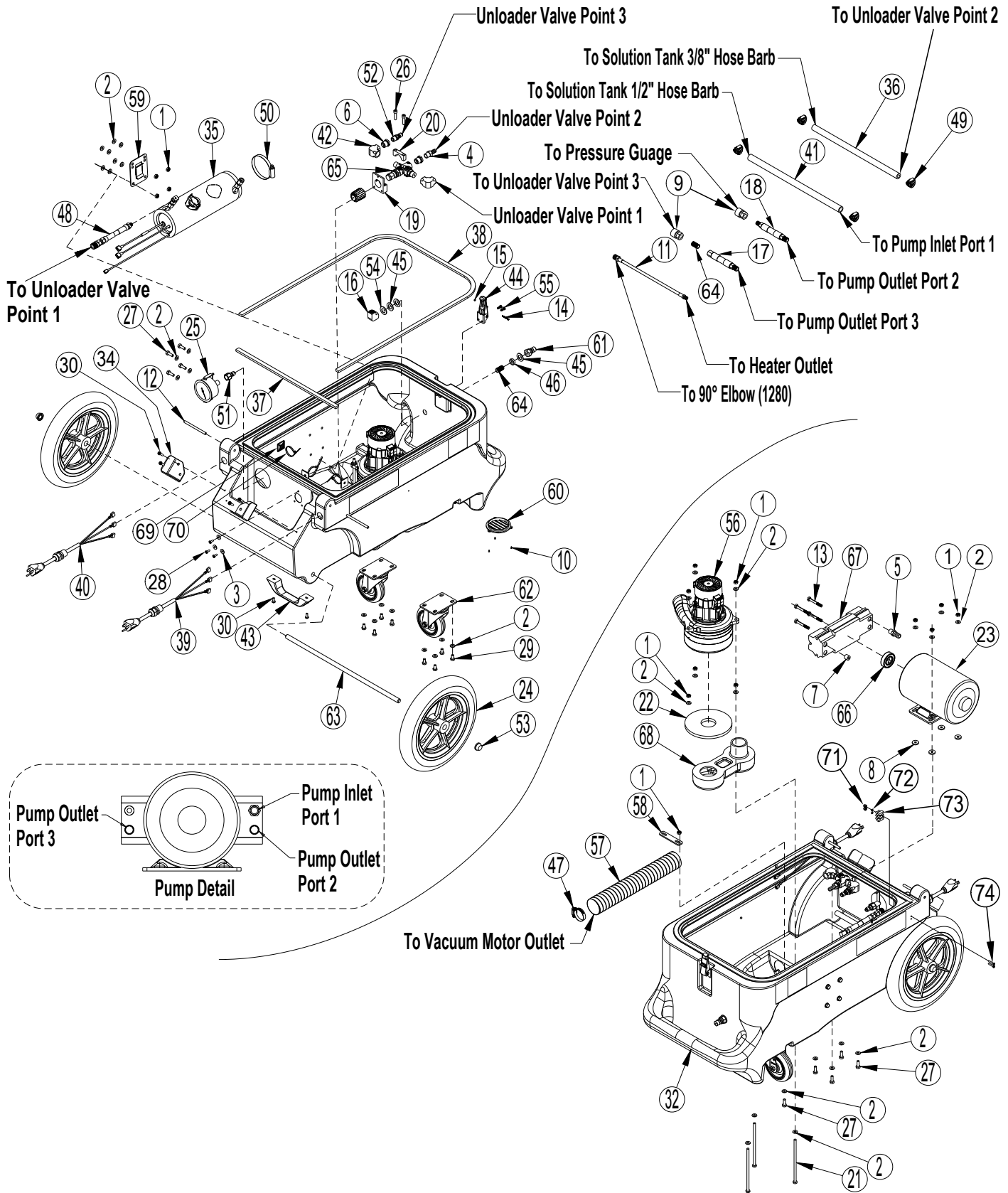
Kit	Item	Ref. No.	Qty	Description	Kit	Item	Ref. No.	Qty	Description
K1	1		11	Nut-Nylock-Zp-1-4-20		30	56105262	1	Power Cord Pigtail-Yellow
K1	2		34	Washer Flat 3/16 Zinc Plat		31	56105263	1	Power Cord Pigtail-Red
	3	168	1	Tee Brass 1/4 Pipe		32	56396513	1	Hose, Spiral .500
K1	4		4	Screw 12-24 X 1-1/4 Phill		33	56463650	1	Handle Grab
	5	220	1	QD-Brass-1/4 FPT-Socket Straight		34	56471194	1	Latch Assembly
	6	223	1	Quick Disconnect Plug Brass		35	105USP	1	Reducing Nipple 1/4 X 1/8 Pipe
K1	7		3	Screw-Fhp-SS-2x1/4-Sms	K1	36		3	Washer 1 OD X 9/16 Id X
	8	313	1	Hose S/S Braided Teflon 1/4		37	116A	1	Bushing 3/4 X 9/16
	9	801	2	Hinge Pin Rod S/S 1/4 X		38	156USP	1	Hose Clamp-Size 28-1-9/16-2 1/2
K1	10		1	Screw 2-56 X1 Panhead Philip		39	166USP	4	Hose Clamp-SS-3/8-7/8
K1	11		1	Nut. Finish 2-56 Thread Zp		40	198USP	1	Hose Clamp 48 3-1/2dia 9
	12	1280	1	Elbow 90 Deg 1/4 Fpt X 1/4 F		41	204A	4	Nut S/S Nylock 12-24
	13	1284	1	Hose-19 In-Puls-Damp		42	219USP	1	Quick Connect Brass 1/4 FPT
	14	1424	1	Hose-19 Inch-1-4-Male-1-4 Fem		43	222USP	1	Quick Disconnect Socket Bras
K1	15		3	Bolt 1/4 X 20 6l Full Threa		44	27AUSP	2	Axel Cap Black Pal Nut
	16	2013	1	Gasket 1 Side Adhesive 5-1/2 O	K1	45		1	Washer Brass Half Hard 1 X
	17	2092	2	Wheel 12"X1" Black On Gray 1/2" Axle	K1	46		2	Bolt-Php-SS-8-32x1/2
	18	2164	1	Gauge Pressure 600 PSI 2-1/		47	56105255	1	Vacuum Motor, 3-Stage, 5.7
K1	19		5	Scr- Hex SS 1/4-20 X .75			56113056	1	Vac Motor Brush Kit-120V (for use in 56105255)
K1	20		8	Scr. Hex Hd Loc		48	430A	1	Vac Hose 2" Id X 13.5 Black Rubber
	21	56009005	6	Scr. Pan Phil Ss Type AB 10-16 X .75		49	4404C	1	Tank Mate Bar
	22	56105338	1	Base-200 PSI		50	455USP	1	Mount Heat Exchanger
	[ ]	56105258	1	Harness-Main		51	459USP	1	Louver 2-1/2 Gray Plastic
	24	56105370	2	Wand Bracket		52	45USP	1	Quick Disconnect Plug Male
	25	56105373	1	Pump-200 PSI 120v		53	905USP	2	Caster Swivel 4 Gray Non Ma
	25A	960E	1	Valve Pressure Regulator		54	910-1863	1	Axel Rod Zinc Plated 1/2 Ro
				(part of 56105373)		55	92AUSP	1	Nipple Stainless Steel 1/4 Pip
	26	56105375	1	Heater 1750W 120V		56	92USP	1	Nipple-1-4 Pipe-Brass
	27	56105400	1	Hose 3/8 Id Red		57	MA-6	1	Manifold For Cobra Black
	28	56105407	1	Gasket-Poron 1/4 x 1/2 x 16.5		58	1312	3	Mounting Pad
	29	56105408	1	Gasket-Poron 1/4 x 1/2 x 63.5		59	35	3	Tie 4 Black Weather Resis
						60	16	4	Nut Nylon Lock 6/32 Z.P.
						61	56002431	4	Wsh Fit SAE 4
						62	56183523	2	Terminal Block
						63	56002857	4	Scr Pan Phil 6-32 X .88
						[ ]	SUBSYP1	1	Syphon-Hose-HHP-12
						[ ]	2154	2	Power Cord 12/3 SJTW 25 Y

## Service Kits

K1	56105216	1	Kit-Hardware Base
K2	56105238	1	Kit-Pump Head Complete 200 PSI
K3	56105239	1	Kit-Pump Motor 200 PSI
[ ]	FP256	1	Repair Kit Heat Bi-Metallic

[ ] = Not Shown

BASE SYSTEM 400



## BASE SYSTEM 400

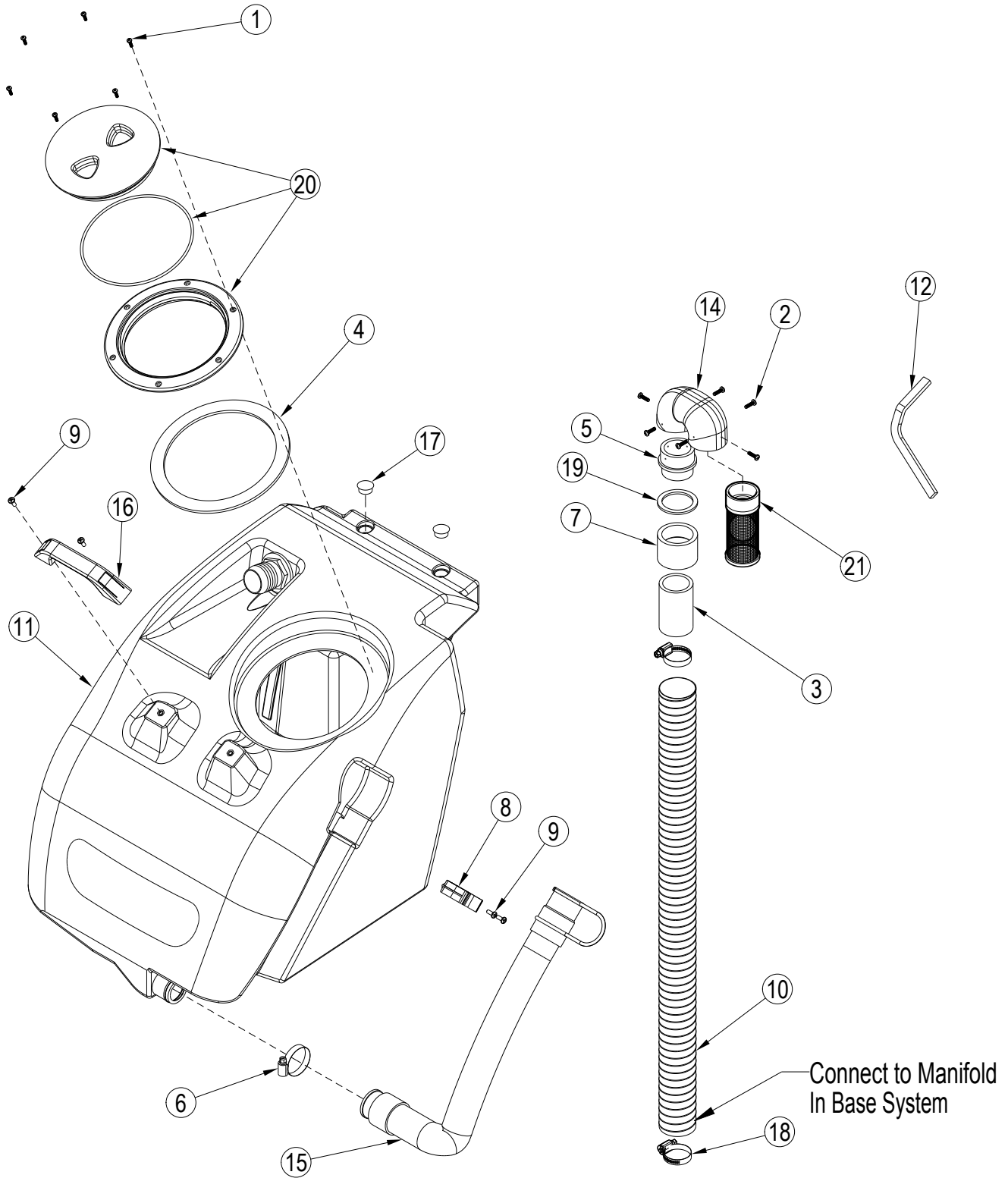
Kit	Item	Ref. No.	Qty	Description	Kit	Item	Ref. No.	Qty	Description
K1	1		15	Nut-Nylock-Zp-1-4-20		39	56105262	1	Power Cord Pigtail-Yellow
K1	2		38	Washer Flat 3/16 Zinc Plat		40	56105263	1	Power Cord Pigtail-Red
K1	3		3	Washer-Flat-SS-10		41	56263561	1	Hose_Spiral .500
K5	4		1	Hose Barb w/Male 1/4 Pipe X 3/8 Hose Brass	K5	42		2	Elbow 90 Degree 3/8 Brass
K2, K3	5		1	Hose Barb 1/4 Pipe X 1/2 Hose Brass		43	56463650	1	Handle Grab
K5	6		2	Bushing 3/8 X 1/4 Pipe Brass		44	56471194	1	Latch Assembly
K2, K3	7		1	Plug Brass Pipe 1/4 Pipe Hex Drive	K1	45		3	Washer 1 OD X 9/16 ID X
K1	8		4	Washer-Flat-1/4x3/4x1/8-60 Dur0		46	116A	1	Bushing 3/4 X 9/16
	9	220	2	Qd-Brass-1/4 Fpt-Socket Straight		47	156USP	1	Hose Clamp-Size 28-1-9/16- 2 1/2
K1	10		3	Screw-Fhp-SS-2x1/4-Sms		48	1581A	1	26 In-Tube-Blue-Fmjic X Mp
	11	313	1	Hose S/S Braided Teflon 1/4		49	166USP	4	Hose Clamp-SS-3/8-7/8
	12	801	2	Hinge Pin Rod S/S 1/4 X		50	198USP	1	Hose Clamp 48 3-1/2dia 9
K1, K2	13		4	Screw-SHCS-SS-1/4-20x2x1		51	219USP	1	Quiick Connect Brass 1/4 FPT
K1	14		1	Screw 2-56 X1 Panhead Philip	K5	52		1	Qd-Plug-Brass-1/4 Mpt-St
K1	15		1	Nut, Finish 2-56 Thread Zp		53	27AUSP	2	Axel Cap Black Pal Nut
	16	1280	1	Elbow 90 Deg 1/4 FPT X 1/4 F	K1	54		1	Washer Brass Half Hard 1 X
	17	1284	1	Hose-19 In-Puls-Damp	K1	55		2	Bolt-PHP-SS-8-32x1/2
	18	1506	1	Hose Assembly 21 X 1/4 MPT		56	56105255	1	Vacuum Motor, 3-Stage, 5.7
	19	1554	1	Mount-Plate-Valve			56113056	1	Vac Motor Brush Kit-120V (for 56105255)
	20	1555	1	Clamp-Valve-Mount		57	430A	1	Vac Hose 2" Id X 13.5 Black Rubber
K1	21		3	Bolt 1/4 X 20 6l Full Thread		58	4404C	1	Tank Mate Bar
	22	2013	1	Gasket 1 Side Adhesive 5-1/2 O		59	455USP	1	Mount Heat Exchanger
K2, K4	23		1	Motor A/C 1/3 Hp		60	459USP	1	Louver 2-1/2 Gray Plastic
	24	2092	2	Wheel 12"X1" Black On Gray 1/2" Axle		61	45USP	1	Quick Disconnect Plug Male
	25	2165	1	Gage-Pressure		62	905USP	2	Caster Swivel 4 Gray Non Ma
K1	26		2	Scr. Soc Hd 1/4-20 X 1.00		63	910-1863	1	Axel Rod Zinc Plated 1/2 Ro
K1	27		9	Scr- Hex Ss 1/4-20 X .75		64	92AUSP	2	Nipple Stainless Steel 1/4 Pip
K1	28		3	Scr. Pan Phil SS 8-32 X .50	K5	65		1	Unloader Valve For 500 PSI Pum
K1	29		8	Scr. Hex Hd Loc	K2, K3, K4	66		1	Bearing & Cam Assembly .110
	30	56009005	6	Scr. Pan Phil SS Type AB 10-16 X .75	K2, K3	67		1	Pump Piston Style 300-500 Ps
K2, K4	[ ]		1	Harness-Wire 400PSI Pump Mtr		68	MA-6	1	Manifold For Cobra Black
	32	56105245	1	Base-400 PSI		69	1312	3	Mounting Pad
	[ ]	56105258	1	Harness-Main		70	35	3	Tie 4 Black Weather Resis
	34	56105370	2	Wand Bracket		71	16	4	Nut Nylon Lock 6/32 Z.P.
	35	56105375	1	Heater 1750W 120v		72	56002431	4	Wsh Fit SAE 4
	36	56105401	1	Hose 3/8 Id Red		73	56183523	2	Terminal Block
	37	56105407	1	Gasket-Poron 1/4x1/2x16.5		74	56002857	4	Scr Pan Phil 6-32 X .88
	38	56105408	1	Gasket-Poron 1/4x1/2x63.5	K2, K4	75	56050955	1	Grommet
						[ ]	SUBSYP1	1	Syphon-Hose-HHP-12
						[ ]	2154	2	Power Cord 12/3 SJTW 25 Y

## Service Kits

K1	56105216	1	Kit-Hardware Base
K2	56105218	1	Kit-Pump Complete 400PSI
K3	56105219	1	Kit-Pump Head 400PSI
K4	56105220	1	Kit-Pump Motor 400PSI
K5	56105221	1	Kit-Unloader Valve 400PSI
[ ]	FP256	1	Repair Kit Heat Bi-Metallic

[ ] = Not Shown

RECOVERY SYSTEM



## RECOVERY SYSTEM

<b>Kit</b>	<b>Item</b>	<b>Ref. No.</b>	<b>Qty</b>	<b>Description</b>
K1	1		6	Screw-Php-Ss-6x1/2-Sms
K2	2		6	Screw H-Low 8 x 3/8 PA
	3	935	3 IN	PVC Pipe 1-1/2 Sch 40
K1	4		1	Gasket-Lid-Xlpe-6.5idx3/16 Thick
K2	5		1	Adapter Abs 1-1/2 Trap SI
	6	1518	1	Hose Clamp 3/4 X 1 3/4 Ss
	7	1528	1	Adapter Female 1 1/2
	8	392171	1	Clamp, Plastic
	9	56001993	4	Scr-Pan Phil 10-24 X .50
	10	56105241	1	Vac Hose-2.0 Id X 30.00 In
	11	56105448	1	Tank-Recovery-Finished-Blue <b>Note 1</b>
		56384921	1	Recovery Tank-Blue-200/400 <b>Note 2</b>
	12	56105363	1	Gasket
	13			Intentionally Omitted
K2	14		1	Manifold-Ball Float
	15	56113125	1	Drain Hose
		56113126	1	Replacement Drain Hose Cap (for use on 56113125)
	16	56463650	1	Handle Grab
	17	56900041	2	Plug, Cap
	18	156USP	2	Hose Clamp-Size 28-1-9/16- 2 1/2
K2	19		1	Washer-Flat-Buna'n-1-3/4idx0.125
K1	20		1	Lid-Clear With Ring
		56383436	1	O-Ring for 56383435 Lid
K2	21		1	Filter S/S Ball Float

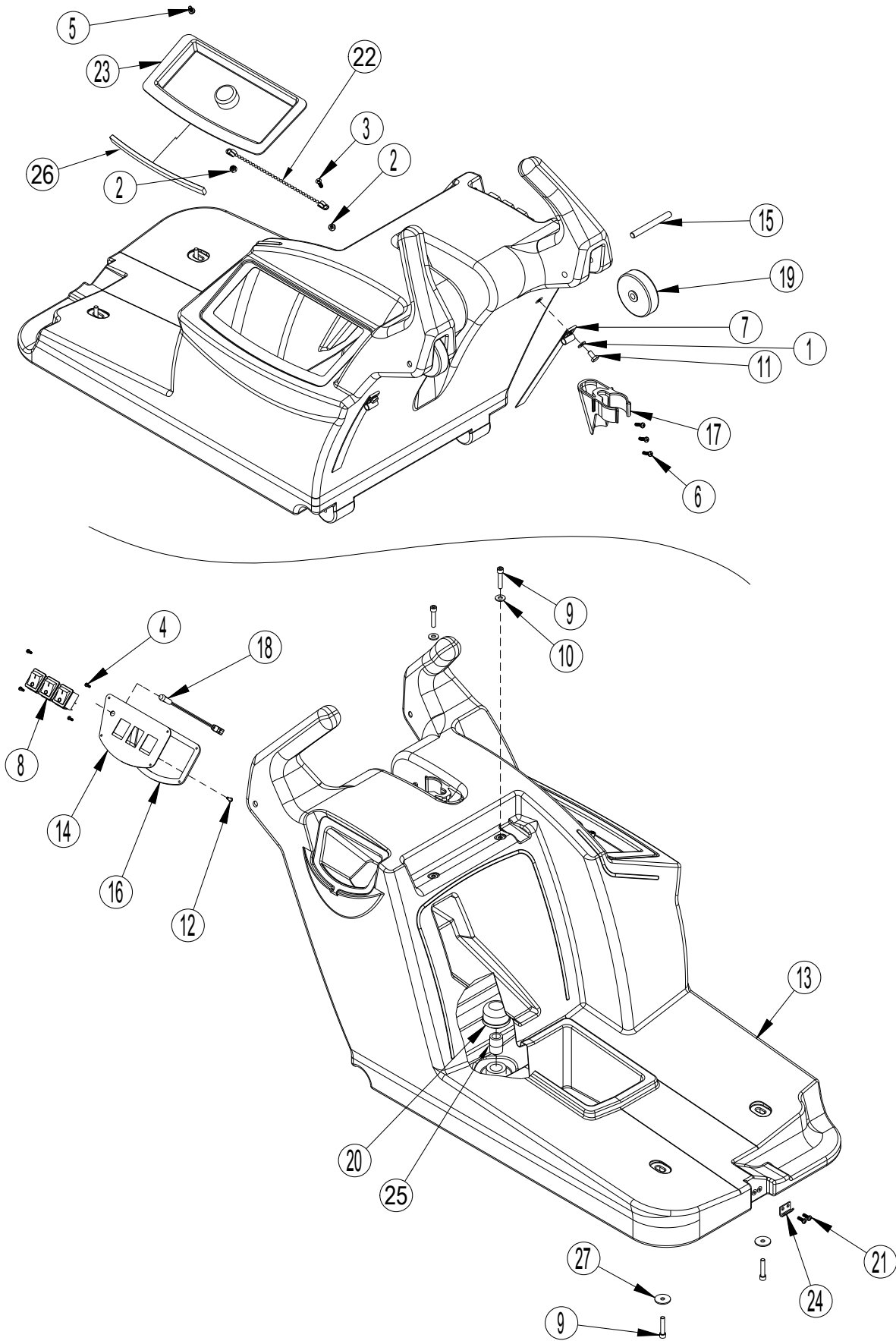
**Service Kits**

K1	56105214	1	Lid Kit-Recovery Tank
K2	56105237	1	Kit-Ball Float Assy

**NOTE 1** Only used on 100SC and 100H (models 56384889 & 56384890)

**NOTE 2** Only used on 200H and 400H (models 56384891 & 56384892)

SOLUTION SYSTEM



## SOLUTION SYSTEM

Item	Ref. No.	Qty	Description
K1	1	2	Washer Flat 3/16 Zinc Plat
K1	2	2	Nut-Nylon Lock-SS-10-32
K1	3	1	Fhp-10-32 5-8
K1	4	4	Screw-Php-SS-4x3/8-Sms
K1	5	1	Screw-Bhs-Brass-10-32x3/8-MS
K1	6	3	Screw-Ph-Combo-Tapping-8x5/8 Ab
	7	1603	2 Strap/Buckle Cord Wrap W/Spur
	8	1644	3 Switch Rocker Dpst On/Off 20
K1	9	4	Screw 1/4-20 X 1-1/4" Allen Head SS
K1	10	2	Wsh-Fit SAE SS 1/4
K1	11	2	Scr. Hex Hd Loc
K1	12	1	Scr-Pan Phil 6-32 X .31
	13	56105444	1 Tank-Solution-Finished-Blue <b>NOTE 1</b>
	13	56384919	1 Solution Tank-Blue-200/400 <b>NOTE 2</b>
	14	56105361	1 Switchplate <b>NOTE 3</b>
		56105385	1 Switchplate <b>NOTE 4</b>
	15	56105362	2 Wheel Axle
	16	56105397	1 Gasket Switchplate
	17	56113020	1 Wand Clip
	18	56113091	1 Light Green 250v Assy <b>NOTE 3</b>
	19	56324499	2 Wheel 3.00
	20	207A	1 Filter 40 Mesh S/S 1/2NPT Fem
K1	21	2	Bolt-Php-SS-8-32x1/2
	22	805USP	1 Chain-Cover
	23	901A	1 Lid-Tank-Sol
	24	909A	1 Latch-Strike-SS-No 8 Hole
	25	92BUSP	1 Nipple PVC 1/2 N.P.T.
	26	56105363	1 Gasket
K1	27	2	Wsh,Fit SS .260 x 1.000 x .074
	[ ]	56105204	1 Jumper Wire WHT for 100SC <b>NOTE 4</b>
	[ ]	56105205	1 Jumper Wire BLK for 100SC <b>NOTE 4</b>

**Service Kits**

K1 56105225 1 Kit-Hardware Solution Tank USP

[ ] = Not Shown

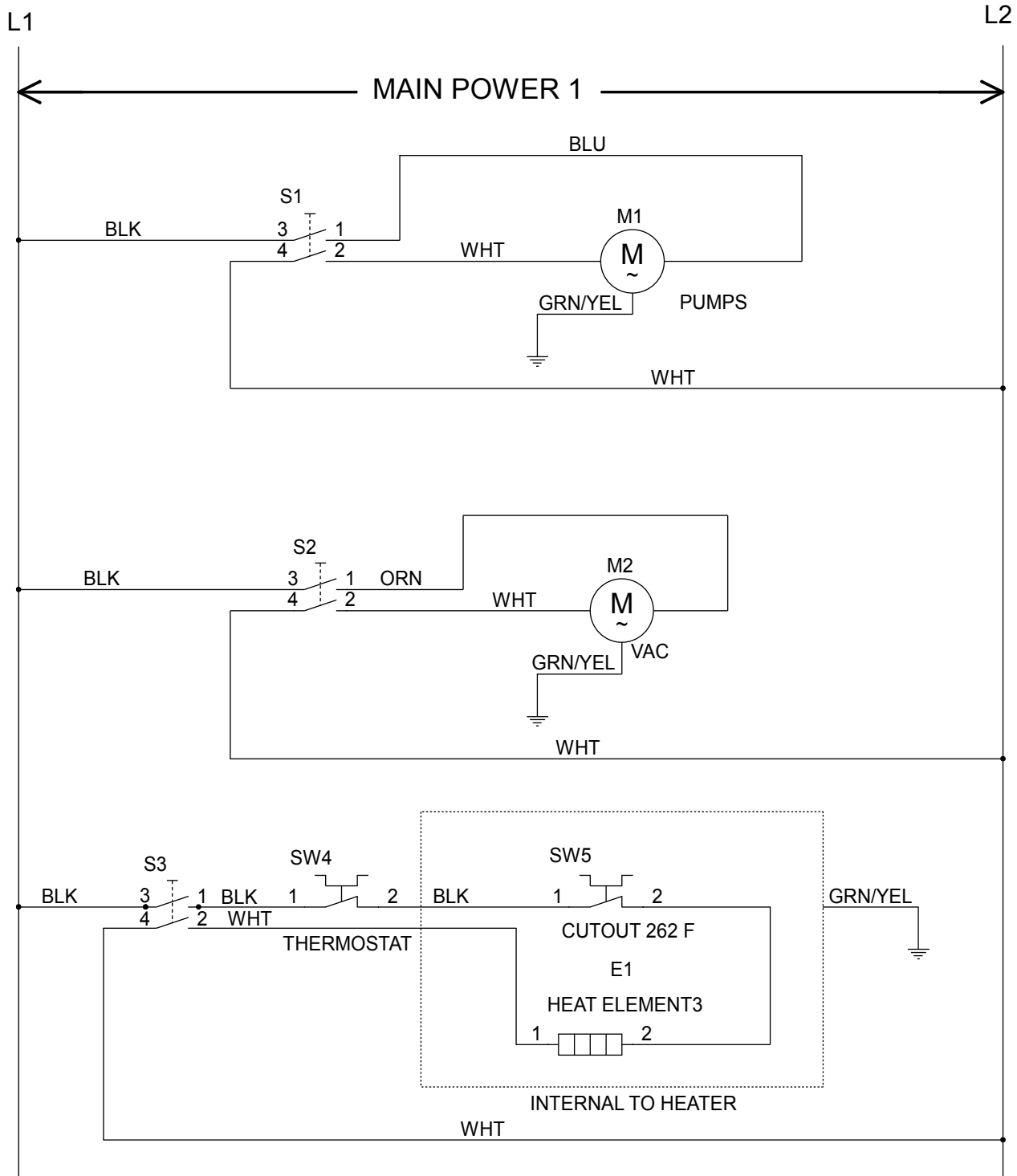
**NOTE 1:** Only used on 100SC and 100H (models 56384889 & 56384890)

**NOTE 2:** Only used on 200H and 400H (models 56384891 & 56384892)

**NOTE 3:** Only used on 100H, 200H and 400H (models 56384890, 56384891 & 56384892)

**NOTE 4:** Only used on 100SC (model 56384889)

LADDER DIAGRAM – SINGLE CORD



Kit Item	Ref. No.	Qty	Description
E1	56105371	1	Heater 1100w 120V
M1	56105217	1	Kit-Pump Complete 100PSI
M2	56105255	1	Vacuum Motor, 3-Stage, 5.7
	56113056	1	Vac Motor Brush Kit-120V (for 56105255)
S1	1644	1	Switch Rocker Dpst On/Off 20A 125-250vac ul
S2	1644	1	Switch Rocker Dpst On/Off 20A 125-250vac ul
S3	1644	1	Switch Rocker Dpst On/Off 20A 125-250vac ul

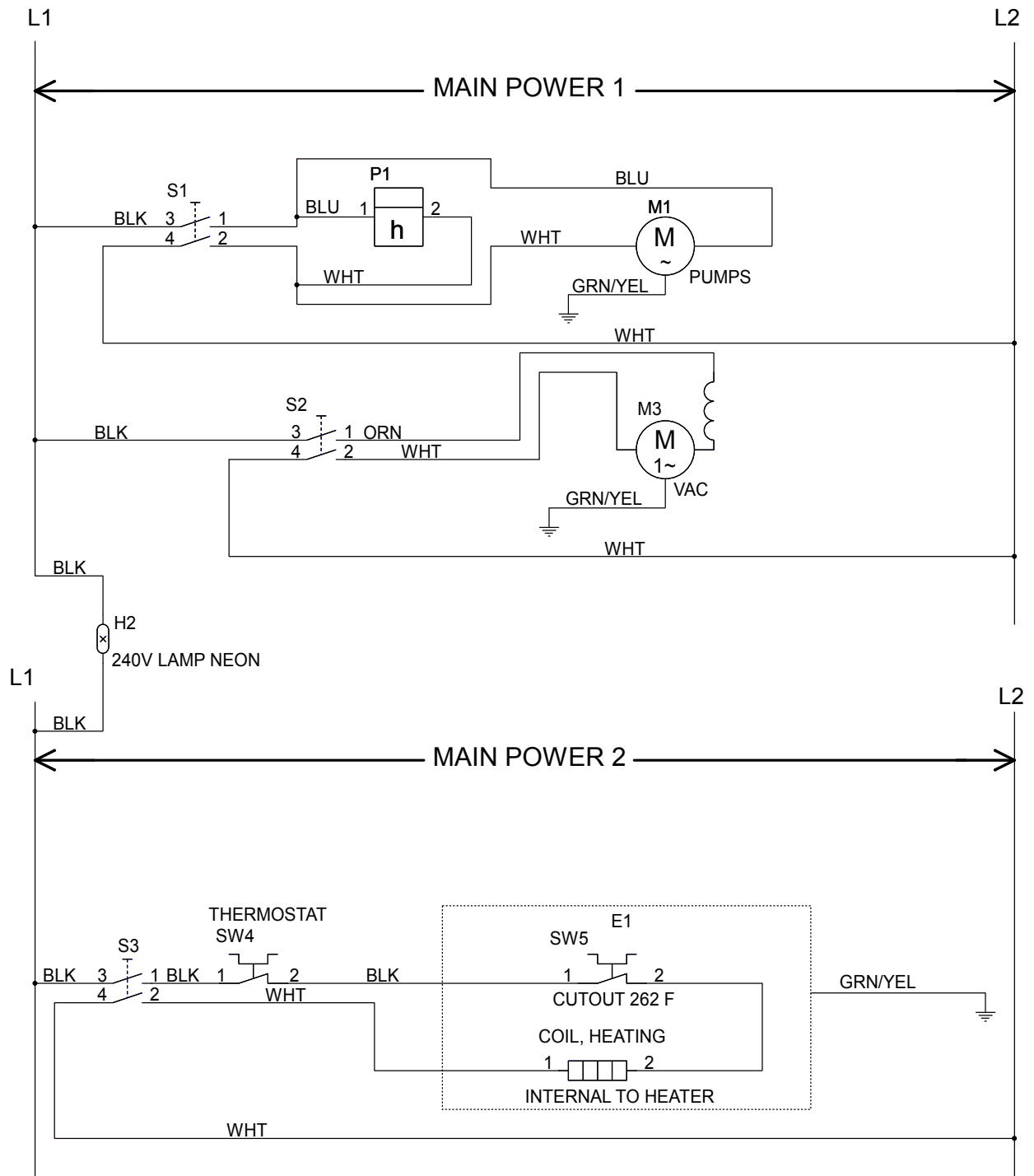
Kit Item	Ref. No.	Qty	Description
K1	SW4	1	Thermostat (part of E1)
K1	SW5	1	Thermal Cut-Out 262 Deg (part of E1)

**Service Kits**

K1	FP256B	1	Repair Kit Heat Bi-Metallic
----	--------	---	-----------------------------



LADDER DIAGRAM – DUAL CORD



Kit Item	Ref. No.	Qty	Description
E1	56105372	1	Heater 1750w 120V (for 100H)
	56105375	1	Heater 1750W 120V (for 200H and 400H)
H2	56113091	1	Light Green 250v Assy
M1	56105217	1	Kit-Pump Complete 100PSI (for 100H)
	56105239	1	Kit-Pump Motor 200 PSI (for 200H)
	56105220	1	Kit-Pump Motor 400PSI (for 400H)
M3	56105255	1	Vacuum Motor. 3-Stage. 5.7

Kit Item	Ref. No.	Qty	Description
P1	423-120-240	1	Hour Meter (optional)
S1	1644	1	Switch Rocker Dpst On/Off 20A 125-250vac ul
S2	1644	1	Switch Rocker Dpst On/Off 20A 125-250vac ul
S3	1644	1	Switch Rocker Dpst On/Off 20A 125-250vac ul
K1	SW4	1	Thermostat (part of E1)
K1	SW5	1	Thermal Cut-Out 262 Deg (part of E1)

Service Kits

K1	FP256	1	Repair Kit Heat Bi-Metallic
----	-------	---	-----------------------------

**OPTIONS & ACCESSORIES**

<b>Ref. No.</b>	<b>Qty</b>	<b>Description</b>
56113108	1	Kit-Hour Meter 120/240 <b>(all models)</b>
FP153	1	Vac Hose/Pressure LN 15 Extr <b>(all models)</b>
FP195	1	Vac Hose/Pressure Line 25' 1/8 <b>(all models)</b>
FP196	1	Vac Hose/Pressure Line 25' Extension <b>(all models)</b>
* 000-163-034	1	Evolution Wand 1 1/2" x 13" Head <b>(all models)</b>
* 000-163-220	1	DriMaster 3 Upholstery Cleaning Tool

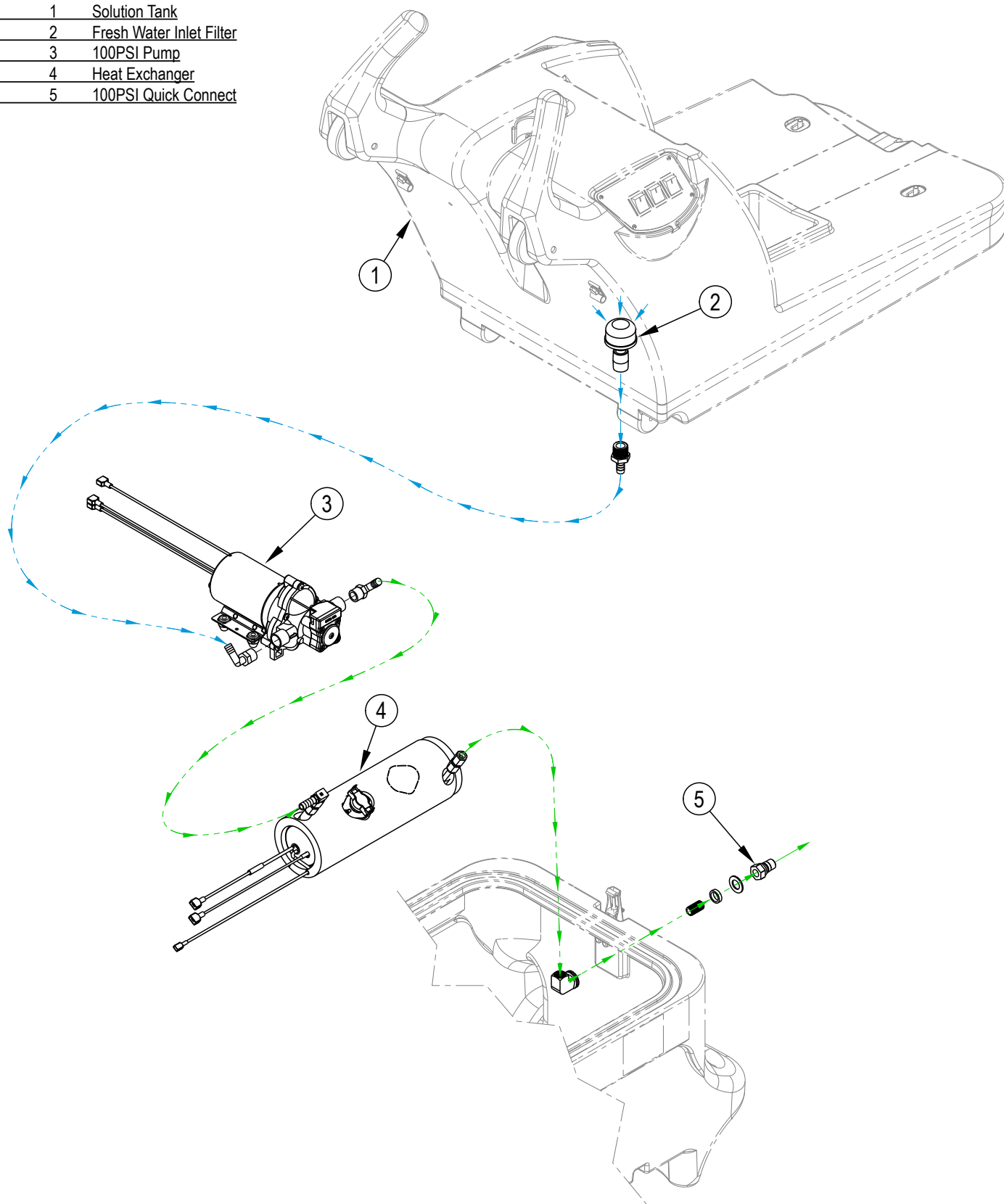
\* = Optional, Not Included

## WATER FLOW DIAGRAM-100

BLUE = FRESH WATER

GREEN = 100PSI WATER FLOW

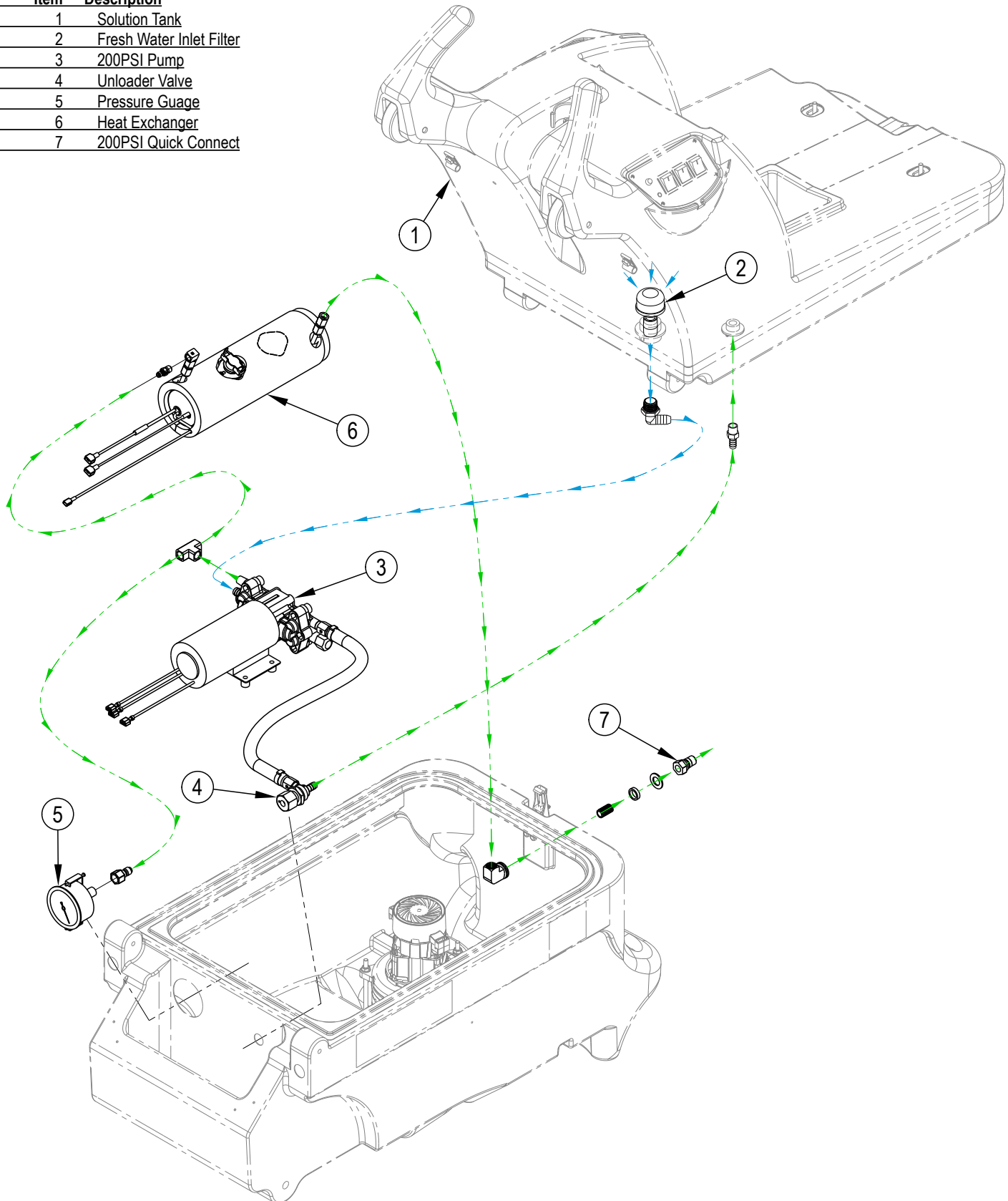
Item	Description
1	Solution Tank
2	Fresh Water Inlet Filter
3	100PSI Pump
4	Heat Exchanger
5	100PSI Quick Connect



## WATER FLOW DIAGRAM-200

BLUE = FRESH WATER  
GREEN = 200PSI WATER FLOW

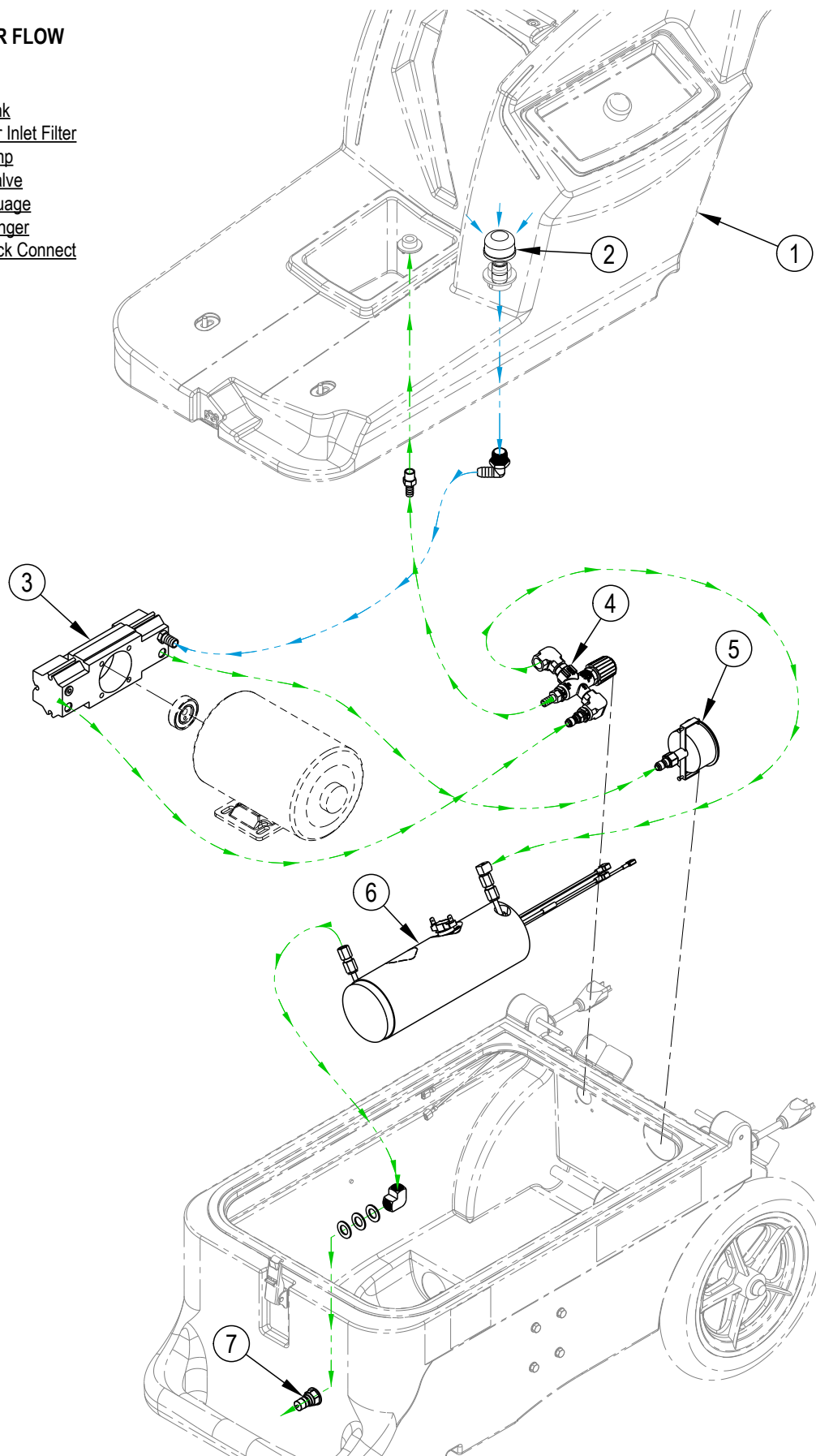
Item	Description
1	Solution Tank
2	Fresh Water Inlet Filter
3	200PSI Pump
4	Unloader Valve
5	Pressure Guage
6	Heat Exchanger
7	200PSI Quick Connect



## WATER FLOW DIAGRAM-400

BLUE = FRESH WATER  
GREEN = 400PSI WATER FLOW

Item	Description
1	Solution Tank
2	Fresh Water Inlet Filter
3	400PSI Pump
4	Unloader Valve
5	Pressure Guage
6	Heat Exchanger
7	400PSI Quick Connect









800.426.1301 / 425.775.7272  
11015 - 47th Avenue West / Mukilteo, WA 98275  
[www.hydramaster.com](http://www.hydramaster.com)