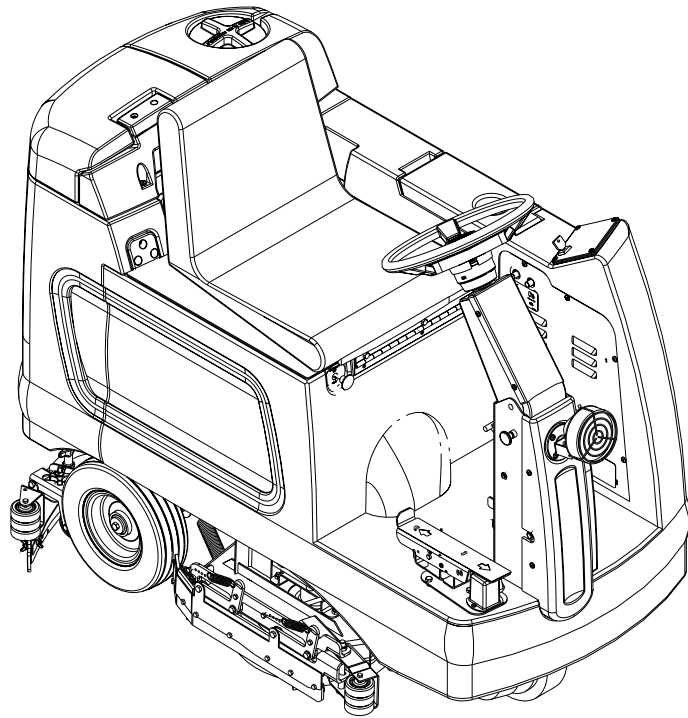


# Hydro-Retriever™ 2800

---

## BR 700, 700C, 700C-XL



### **PARTS LIST**

**Advance MODELS 56412002 (disc)**  
**56412003 (28" cylindrical), 56412350 (32" cylindrical)**  
**Nilfisk MODELS 56412000 (disc)**  
**56412001 (28" cylindrical), 56412351 (32" cylindrical)**



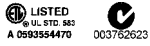
**Nilfisk**  
**Advance**

*setting standards*

6/99 revised 2/04 FORM NO. 56042373  
BOOK E SECTION 6.9.1

Model: HR 2800C  
Part No.: 56412003  
24 V ---  
IPX3  
G V W:  
Type E Floor cleaning machine.  
Pat. Pending

Serial No.:  
Code:  
100 A

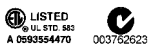


Nilfisk-Advance, Inc.  
Plymouth, MN, USA  
www.nilfisk-advance.com

**HR 2800C  
56412003**

Model: 2800 W/32C  
Part No.: 56412350  
24 V ---  
IPX3  
G V W:  
Type E Floor cleaning machine.  
Pat. Pending

Serial No.:  
Code:  
100 A

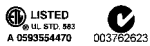


Nilfisk-Advance, Inc.  
Plymouth, MN, USA  
www.nilfisk-advance.com

**2800 W/32C  
56412350**

Model: HR 2800  
Part No.: 56412002  
24 V ---  
IPX3  
G V W: 1286lb / 583kg  
Type E Floor cleaning machine.  
Pat. Pending

Serial No.: 1316022  
Code: H99  
100 A



Nilfisk-Advance, Inc.  
Plymouth, MN, USA  
www.nilfisk-advance.com

**HR 2800  
56412002**

Model: BR700C  
Part No.: 56412001  
24 V ---  
IPX3  
G V W:

Serial No.:  
Code:



Nilfisk-Advance, Inc.  
Plymouth, MN, USA  
www.nilfisk-advance.com

**BR 700C  
56412001**

Model: BR700  
Part No.: 56412000  
24 V ---  
IPX3  
G V W:

Serial No.:  
Code:



Nilfisk-Advance, Inc.  
Plymouth, MN, USA  
www.nilfisk-advance.com

**BR 700  
56412000**

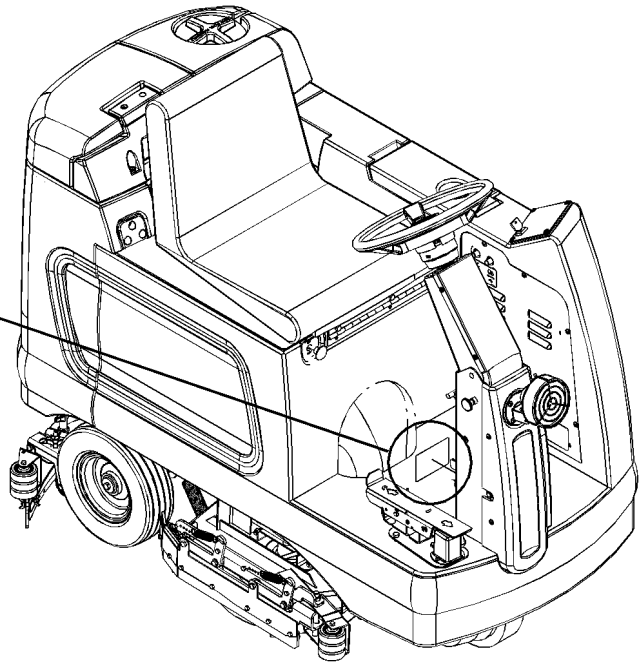
Model: BR700C W/32"  
Part No.: 56412351  
24V ---  
IPX3  
G V W:

Serial No.:  
Code:



Nilfisk-Advance, Inc.  
Plymouth, MN, USA  
www.nilfisk-advance.com

**BR 700C-XL  
56412351**



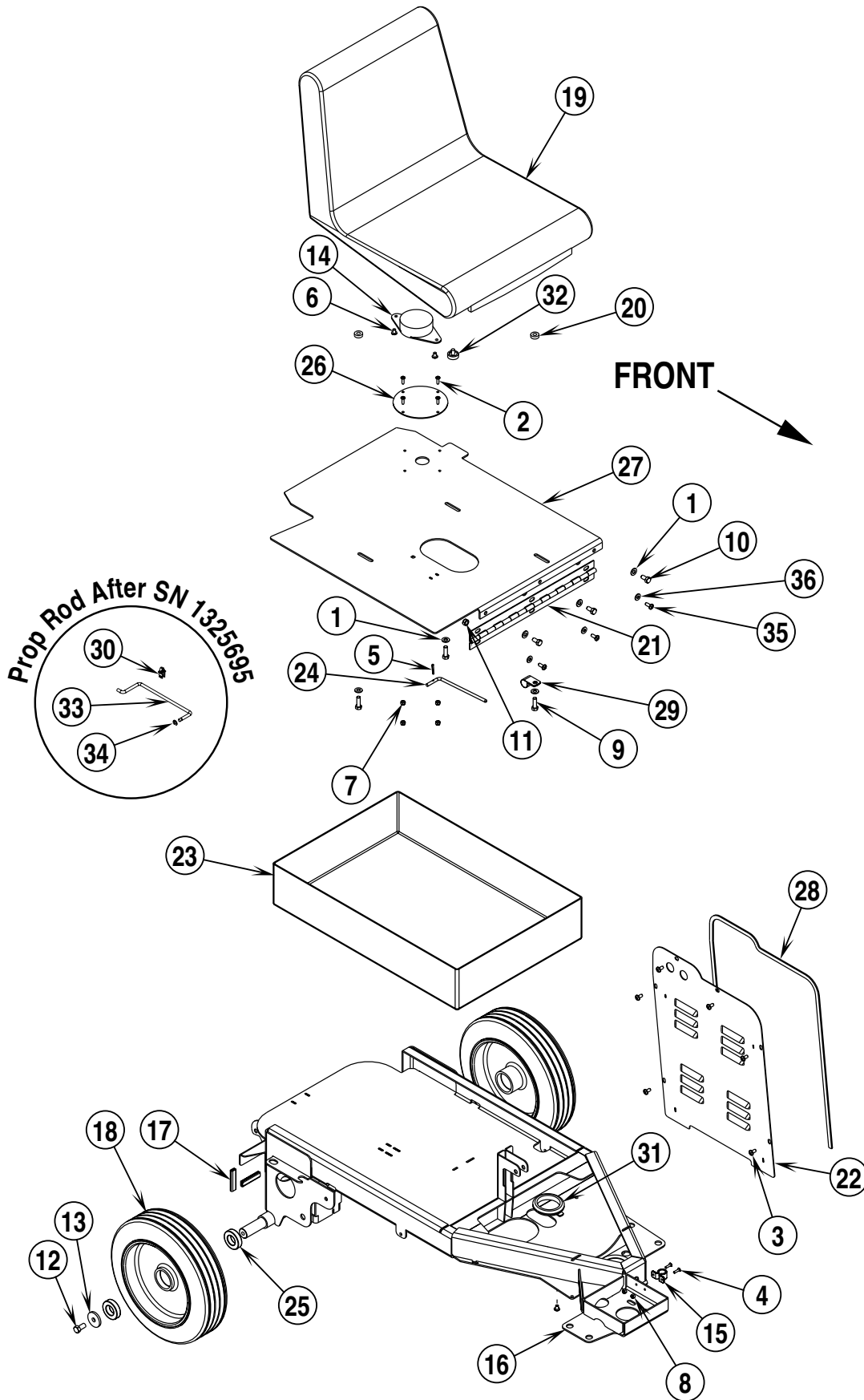
99-6	<b>TABLE OF CONTENTS</b>	<b>BOOK E</b>		
02-4	<b>Hydro-Retriever™ 2800, 2800C / BR 700, 700C, 700C-XL</b>	<b>E</b>	<b>6.9.1</b>	<b>1</b>

<b>DESCRIPTION</b>	<b>PLAN</b>
CHASSIS SYSTEM .....	E-6.9.1-3
DRIVE PEDAL ASSEMBLY .....	E-6.9.1-5
STEERING ASSEMBLY .....	E-6.9.1-7
FRONT WHEEL ASSEMBLY .....	E-6.9.1-9
DECAL SYSTEM .....	E-6.9.1-11
SCRUB SYSTEM (DISC) .....	E-6.9.1-13
SCRUB SYSTEM SKIRT ASSEMBLIES (DISC) .....	E-6.9.1-15
SCRUB SYSTEM (CYLINDRICAL) .....	E-6.9.1-17
SCRUB SYSTEM SKIRT ASSEMBLIES (CYLINDRICAL) .....	E-6.9.1-19
SOLUTION SYSTEM .....	E-6.9.1-21
RECOVERY SYSTEM .....	E-6.9.1-23
SQUEEGEE SYSTEM .....	E-6.9.1-25
SQUEEGEE ASSEMBLY .....	E-6.9.1-27
ELECTRICAL SYSTEM .....	E-6.9.1-29
OPTIONAL KITS .....	E-6.9.1-31
WIRING DIAGRAM .....	E-6.9.1-33
BRUSH / DISC SELECTOR GUIDE (DISC) .....	E-6.9.1-34
BRUSH SELECTOR GUIDE (CYLINDRICAL) .....	E-6.9.1-35

### WHEN ORDERING PARTS

- \* Use the 8 digit numbers from the "Ref. No." columns in this parts list.
- \* Specify the model and serial number of the machine.
- \* Use the space below to record the model and serial number for future reference.

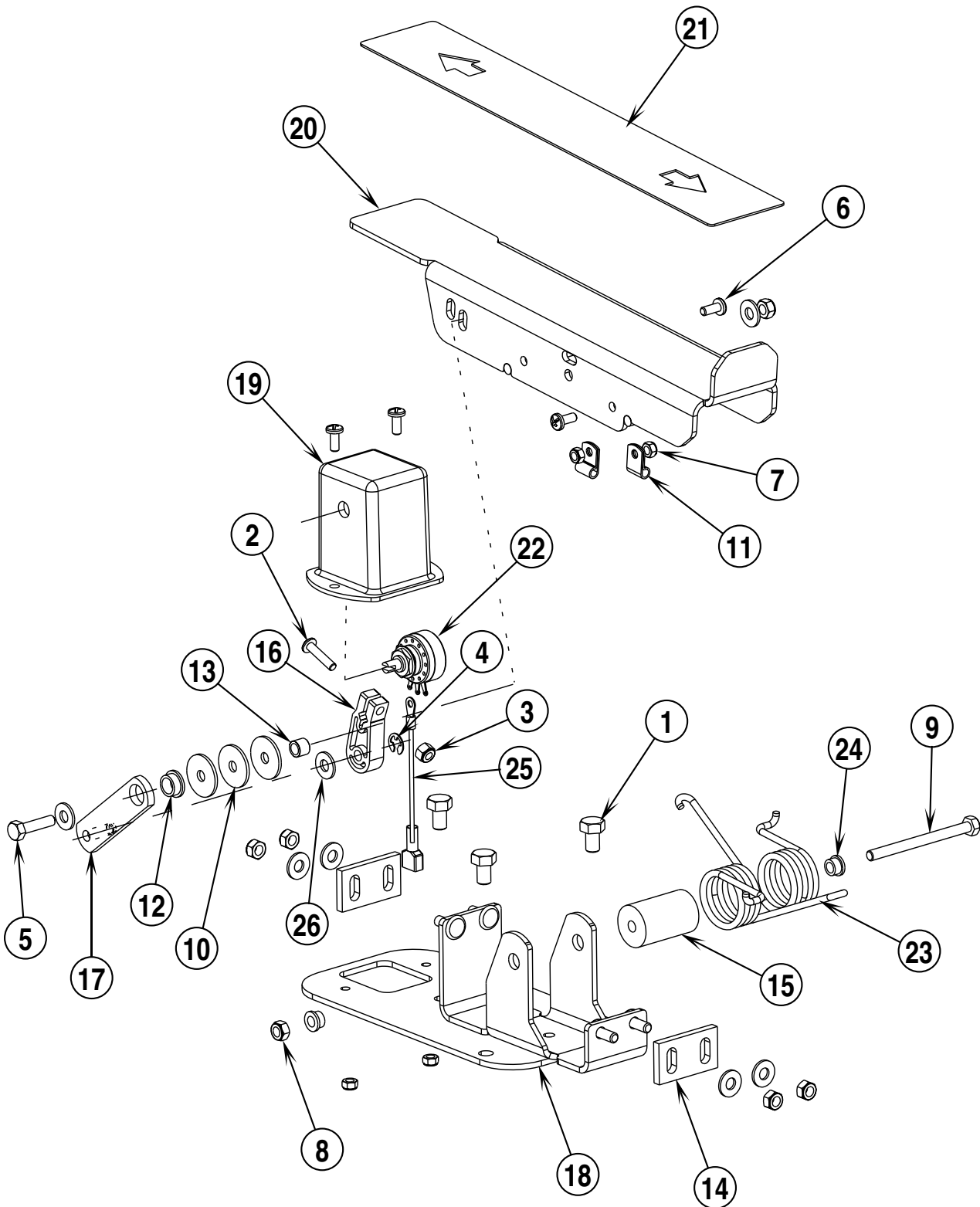
Model \_\_\_\_\_ Serial No. \_\_\_\_\_



99-6	<b>CHASSIS SYSTEM</b>	<b>BOOK E</b>		
01-10	<b>Hydro-Retriever™ 2800, 2800C / BR 700, 700C, 700C-XL</b>	<b>E</b>	<b>6.9.1</b>	<b>3</b>

Item	Ref. No.	Qty	Description
1	56001939	6	Wsh, Flt SAE 5/16
2	56002124	4	Scr, Pan Phil 10-24 x .62
3	56002145	6	Scr, Pan Phil 1/4-20 x .50
4	56002146	2	Scr, Pan Phil 8-32 x .62
5	56002291	1	Pin, Spr. .12 x 1.00 <b>(before SN 1325696)</b>
6	56002462	2	Scr, Pan Phil 1/4-20 x .38
7	56002768	4	Nut, Hex Nyl Loc 10-24
8	56002877	2	Nut, Hex Nyl Loc SS 8-32
9	56003073	3	Scr, Hex Hd Loc 5/16-18 x 1.00
10	56003178	3	Scr, Hex M8-1.25 x 16mm
11	56003389	3	Nut, Hex Nyl Loc M8-1.25
12	56003442	2	Scr, Hex Nyl Loc M10-1.5 x 20mm
13	56367117	2	Wsh, Flt .406 x 1.50 x .187
14	56409613	1	Switch, Seat
15	56412059	1	Guide
16	56412060	1	Chassis Weldment
17	56412122	4	Trim, Edge
18	56412317	2	Wheel, 12 x 3.5
**	56412341	2	Wheel Assy, Scrubber
19	56412148	1	Seat
20	56412150	3	Spacer
21	56412196	1	Hinge
22	56412301	1	Electrical Panel Welded
23	56412212	1	Tray, Battery
24	56412231	1	Prop Rod <b>(before SN 1325696)</b>
25	56412243	4	Bearing, Ball
26	56412247	1	Plate
27	56412261	1	Seat Weldment
28	56412285	1	Gasket, Electrical Cover
29	56469380	1	Clamp, P
30	56418492	1	Clip, Prop Rod <b>(after SN 1325695)</b>
31	56262531	1	Grommet
32	56412306	1	Seat Spacer
33	56412307	1	Prop Rod <b>(after SN 1325695)</b>
34	56003268	1	Ring, Ret Ext Type E .25 DIA <b>(after SN 1325695)</b>
35	56002066	3	Scr, Pan Phil 1/4-20 x .62
36	56002098	3	Wsh, Flt SAE 1/4
**	56420143	1	Armrest Kit
**	56419369	1	Seat Belt Kit

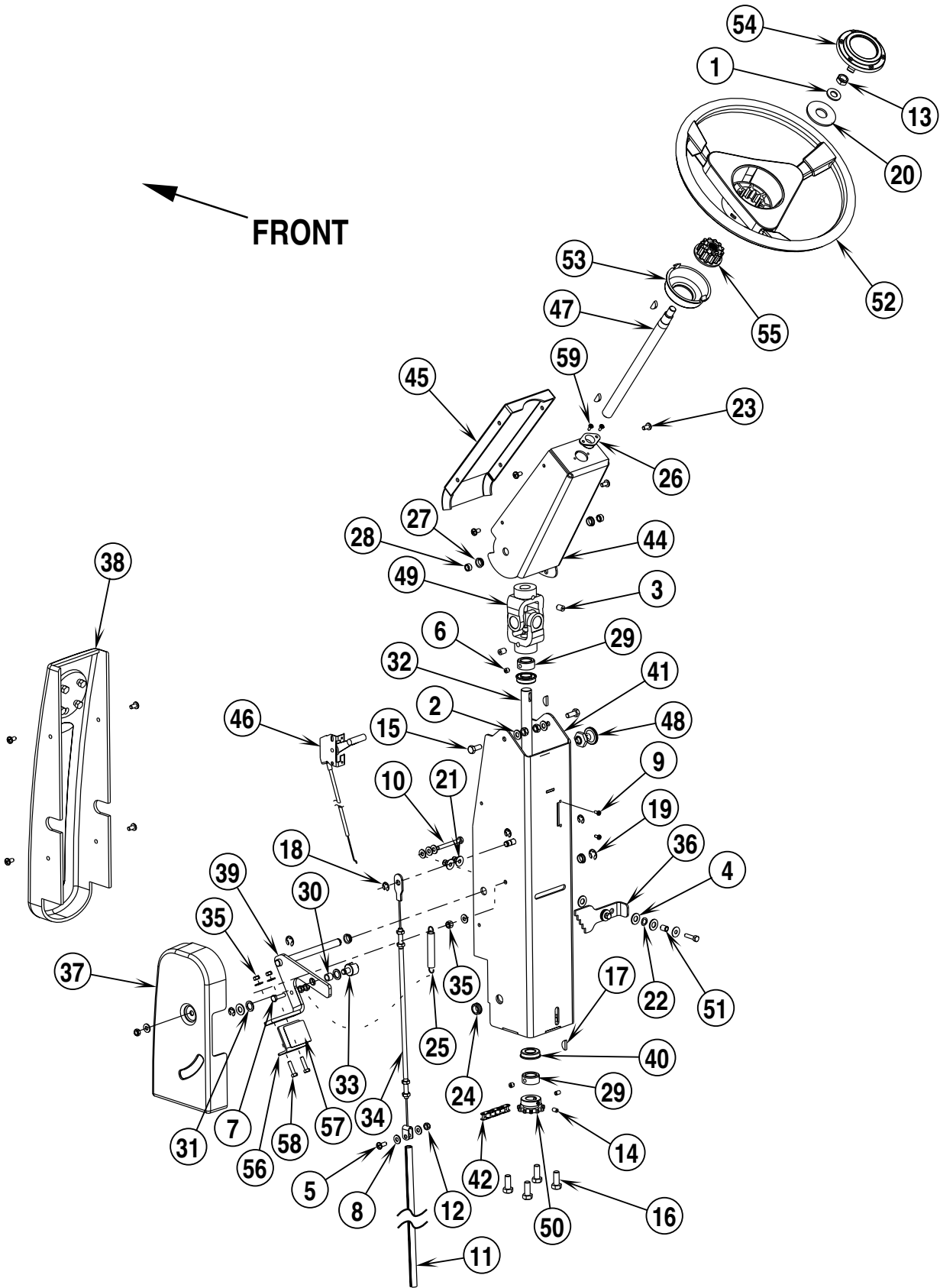
\*\* = Optional



99-6	<b>DRIVE PEDAL ASSEMBLY</b>	<b>BOOK E</b>		
00-11	<b>Hydro-Retriever™ 2800, 2800C / BR 700, 700C, 700C-XL</b>	<b>E</b>	<b>6.9.1</b>	<b>5</b>

Item	Ref. No.	Qty	Description
1	56001862	3	Scr, Hex Hd 5/16-18 x .50
2	56002733	1	Scr, Pan Phil 10-24 x .88
3	56002768	1	Nut, Hex Nyl Loc 10-24
4	56003268	1	Ring, Ret Ext Type E Reinf. .25 Dia.
5	56003358	3	Scr, Hex M6-1.0 x 25mm
6	56003377	4	Scr, Pan Phil M5 x 12mm
7	56003402	4	Nut, Hex Nyl Loc M5-.80
8	56003403	8	Nut, Hex Nyl Loc M6-1.00
9	56003428	1	Scr, Hex M6-1.0 x 75mm
10	56009060	3	Wsh, Flt SS .260 x 1.00 x .074
11	56220507	2	Clamp, P
12	56324505	1	Bearing, Flange
13	56368989	1	Bushing
14	56409377	2	Plate, Side
15	56409378	1	Spacer, Nylon
16	56409471	1	Lever, Throttle
17	56409610	1	Link Weldment
18	56412092	1	Pedal Mount Weldment
19	56412094	1	Housing, Potentiometer
20	56412234	1	Throttle Pedal Weldment
21	56449958	1	Mat, Pedal
22	56454740	1	Potentiometer, 5K
23	56468243	2	Spring, Idler
24	56756318	2	Bearing, Flange
25	56412331	1	Wire Assy.
26	56002098	1	Wsh, Flt SAE 1/4

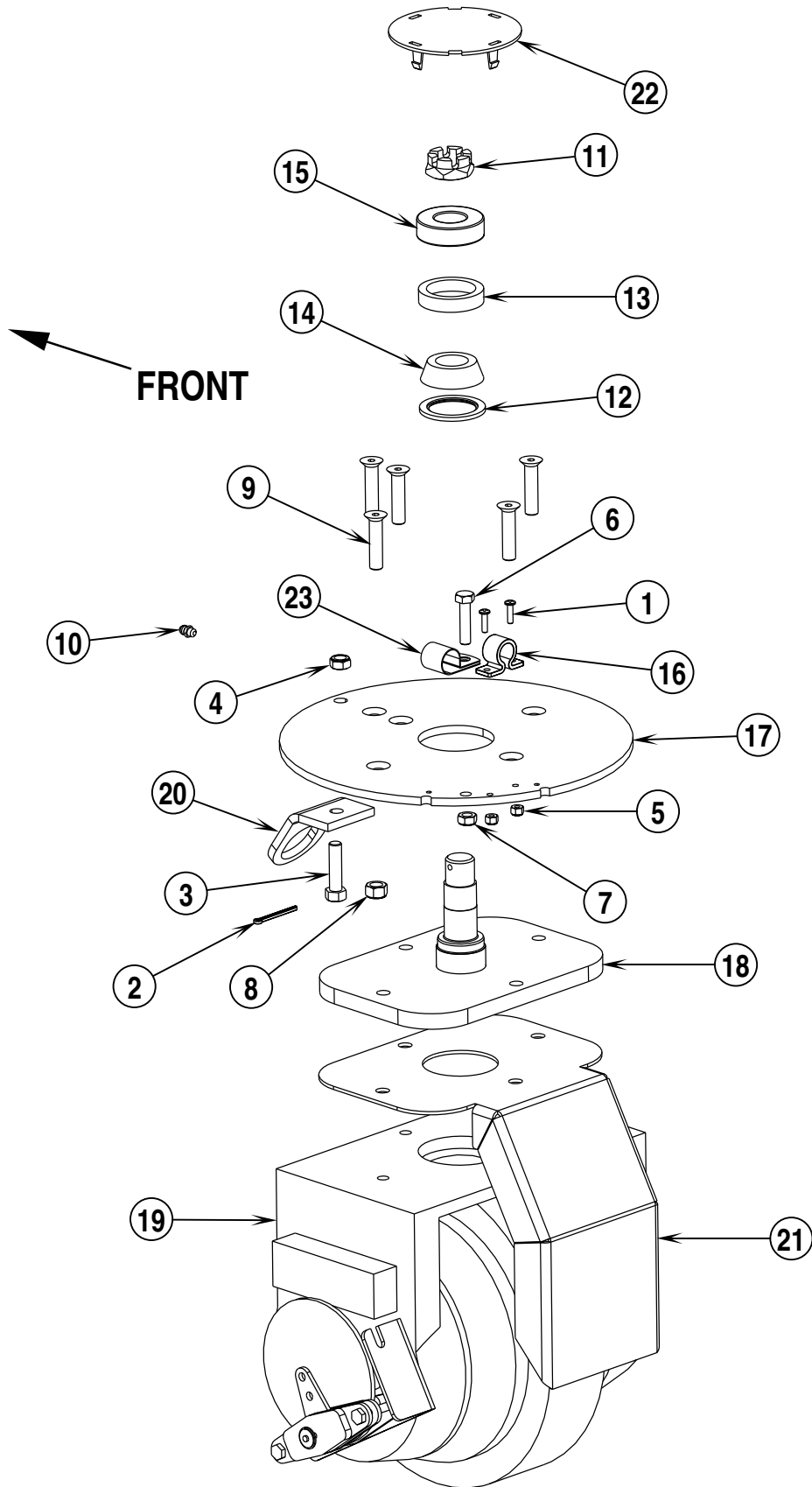
FRONT





99-6	<b>STEERING ASSEMBLY</b>	<b>BOOK E</b>		
01-10	<b>Hydro-Retriever™ 2800, 2800C / BR 700, 700C, 700C-XL</b>	<b>E</b>	<b>6.9.1</b>	<b>7</b>

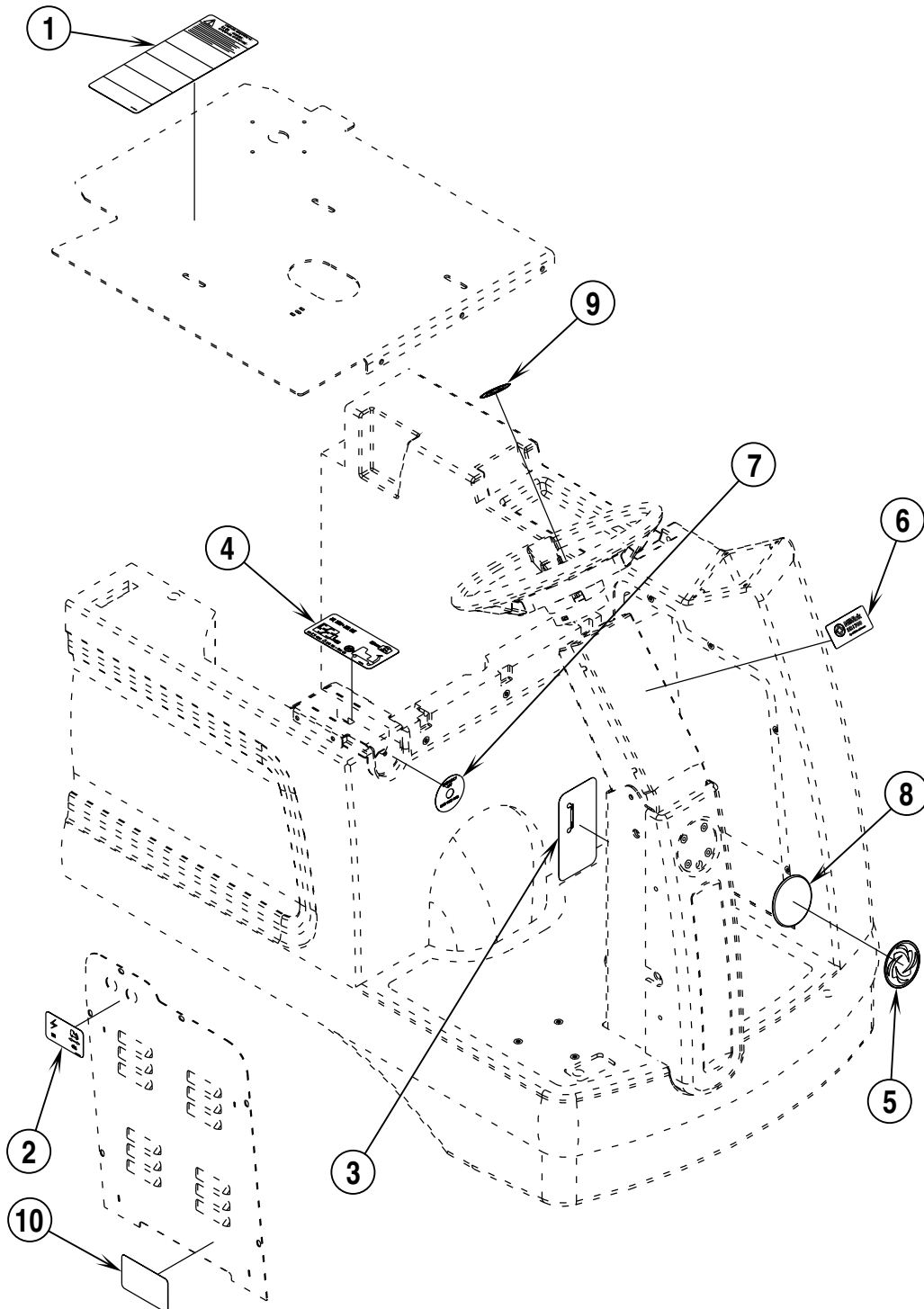
Item	Ref. No.	Qty	Description
1	56001879	1	Wsh, Flt SAE 1/2
2	56001939	2	Wsh, Flt SAE 5/16
3	56001959	2	Scr, Soc Set Loc 3/8-16 x .50
4	56002063	7	Wsh, Flt SAE 3/8
5	56002066	1	Scr, Pan Phil 1/4-20 x .62
6	56002086	2	Scr, Soc Set Loc 5/16-18 x .25
7	56002093	1	Scr, Hex Hd 1/4-20 x 1.00
8	56002098	11	Wsh, Flt SAE 1/4
9	56002523	2	Scr, Pan Phil Thd Form 8-32 x .38
10	56003553	1	Scr, Hex Thd To Hd M6-1.0 x 50mm
11	56412308	1	Conduit 27"
12	56002840	4	Nut, Hex Nyl Loc-Thin 1/4-20
13	56002843	1	Nut, Hex Nyl Loc-Thin 1/2-13
14	56002930	2	Scr, Soc Set Loc 1/4-20 x .38
15	56003179	2	Scr, Hex Thd To Hd M8-1.25 x 20mm
16	56003186	4	Scr, Hex Thd To Hd M10-1.5 x 25mm
17	56003228	4	Key, Wdf .75 x .19
18	56003262	3	Ring, Ret Ext Type E .38 Dia.
19	56003264	2	Ring, Ret Ext Type E .50 Dia.
20	56003342	1	Wsh, Flt .88 x 2.25 x .13
21	56009025	4	Wsh, Flt .266 x .75 x .036
22	56009045	2	Wsh, Bowed .375 x .578 x .060
23	56009062	8	Scr, Pan Phil Thd Form 1/4-20 x .50
24	56158690	1	Grommet
25	56245008	1	Spring, Extension
26	56100393	1	Bushing <b>TSB 727</b>
27	56302164	4	Bearing, Flange
28	56320595	2	Bushing .32 x .50 x .28
29	56367095	2	Collar, Shaft
30	56370754	1	Bearing, Sleeve
31	56370762	2	Bearing, Thrust
32	56407067	1	Shaft, Lower Steering
33	56412141	1	Pivot, Cable
34	56412142	1	Cable Assembly
35	56003403	3	Nut, Hex Nyl Loc M6-1.00
36	56412144	1	Latch, Park Brake <b>TSB 794</b>
37	56412145	1	Cover, Brake
38	56412146	1	Cover, Lower Column
39	56412147	1	Brake Pedal Weldment
40	56412161	2	Bearing
41	56412162	1	Lower Column Weldment
42	56412198	1	Chain, Roller
43			<b>Intentionally Omitted</b>
44	56412245	1	Column, Steering
45	56412246	1	Cover, Upper Column
46	56412281	1	Solution Control Cable
47	56420059	1	Shaft, Upper Steering
48	56420062	1	Latch Assembly
49	56454081	1	Universal Joint
50	56471148	1	Sprocket
51	56475411	2	Bushing
52	56497306	1	Steering Wheel
53	56497308	1	Cup
54	56497543	1	Cap
55	56497560	1	Wheel Adapter
56	56412149	1	Brake Pad
57	56412175	1	Mat, Brake
58	56003358	2	Scr, Hex M6-1.0 x 25mm
59	56009051	2	Scr, Pan Phil Thd Form 8-32 x .38 <b>TSB 727</b>



99-6	<b>FRONT WHEEL ASSEMBLY</b>	<b>BOOK E</b>		
02-11	<b>Hydro-Retriever™ 2800, 2800C / BR 700, 700C, 700C-XL</b>	<b>E</b>	<b>6.9.1</b>	<b>9</b>

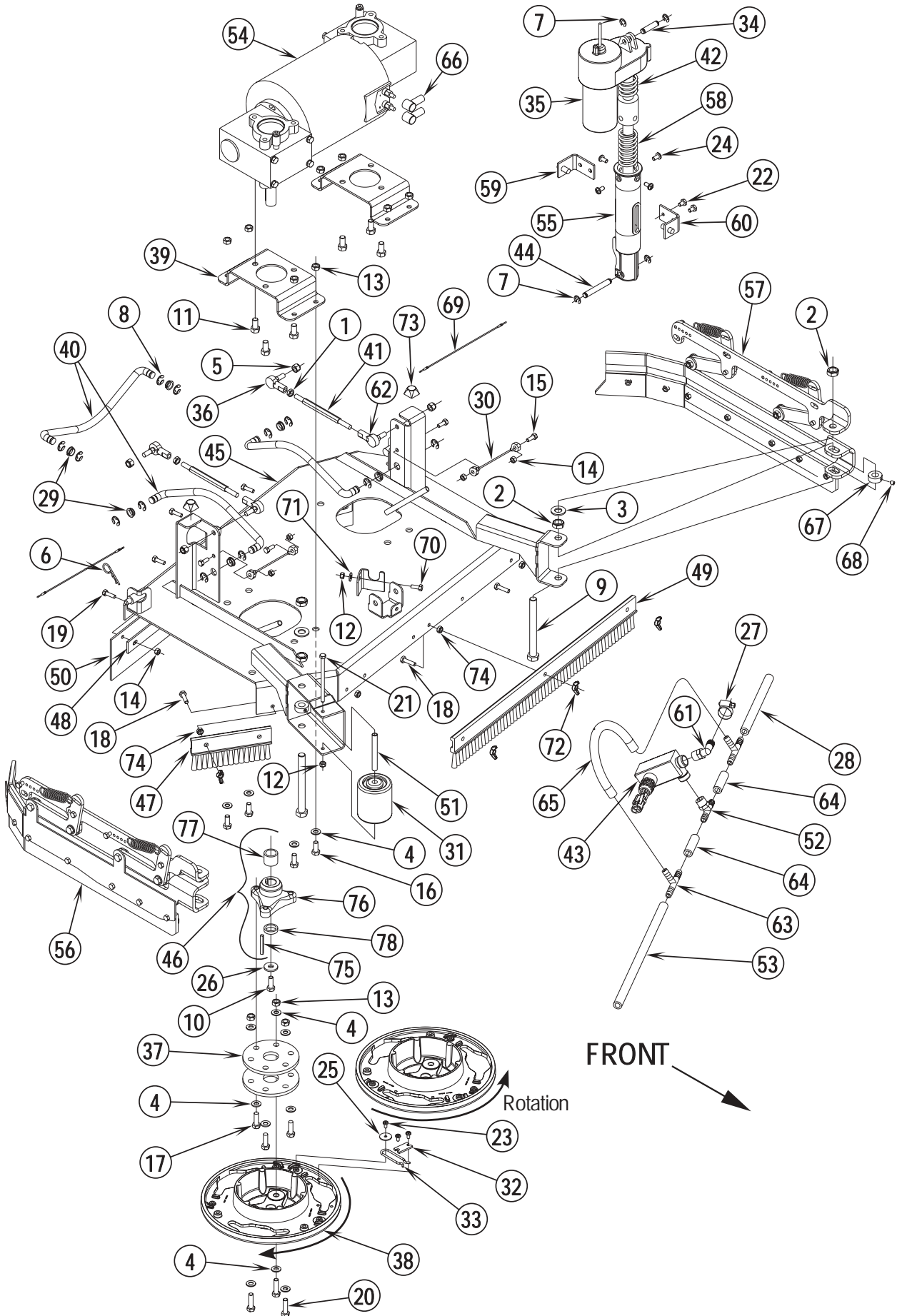
Item	Ref. No.	Qty	Description
1	56002146	2	Scr, Pan Phil 8-32 x .62
2	56002181	1	Pin, Cotter, 1/8 x 1-1/2
3	56002747	1	Scr, Hex Thd To Hd 3/8-16 x 1.50
4	56002841	1	Nut, Hex Nyl Loc-Thin 3/8-16
5	56002877	2	Nut, Hex Nyl Loc SS 8-32
6	56003179	1	Scr, Hex Thd to Hd M8-1.25 x 20mm
7	56003389	3	Nut, Hex Nyl Loc M8-1.25
8	56003406	1	Nut, Hex Nyl Loc M10-1.50
9	56003500	5	Scr, Soc Hd M10-1.50 x 40mm
10	56101737	1	Fitting, Lube 1/4-28
11	56110817	1	Nut, Castle 7/8-14
12	56171078	1	Shaft Seal
13	56378259	1	Bearing, Cup
14	56378267	1	Bearing, Cone
15	56378380	1	Bearing, Ball
16	56412059	1	Guide
17	56412123	1	Plate, Steering
18	56412165	1	Spindle Weldment
19	56412168	1	Drive Motor / Wheel <b>TSB 824</b>
**	56412319	1	Brake Caliper Kit
**	56412320	1	Brush Cover Kit
**	56412321	1	Sealing Ring
**	56412322	1	Bearing, Pinion End (20x42x12 mm)
**	56412323	1	Bearing, Output Shaft End (17x40x12 mm)
**	56412324	1	Armature
**	56412325	1	Carbon Brush Kit <b>TSB 824</b>
**	56412338	1	Drive Wheel W/Mounting Screws <b>TSB 781</b>
**	56412339	1	Drive Wheel W/Mounting Screws <b>TSB 781</b>
**	56412327	1	Brake Rotor Kit
20	56412209	1	Bracket, Tie Down
21	56412236	1	Splash Guard
22	56412263	1	Cap, Spindle
23	56469380	1	Clamp, P

\*\*= Replacement Parts for PN 56412168



99-6	<b>DECAL SYSTEM</b>	<b>BOOK E</b>		
02-10	<b>Hydro-Retriever™ 2800, 2800C / BR 700, 700C, 700C-XL</b>	<b>E</b>	<b>6.9.1</b>	<b>11</b>

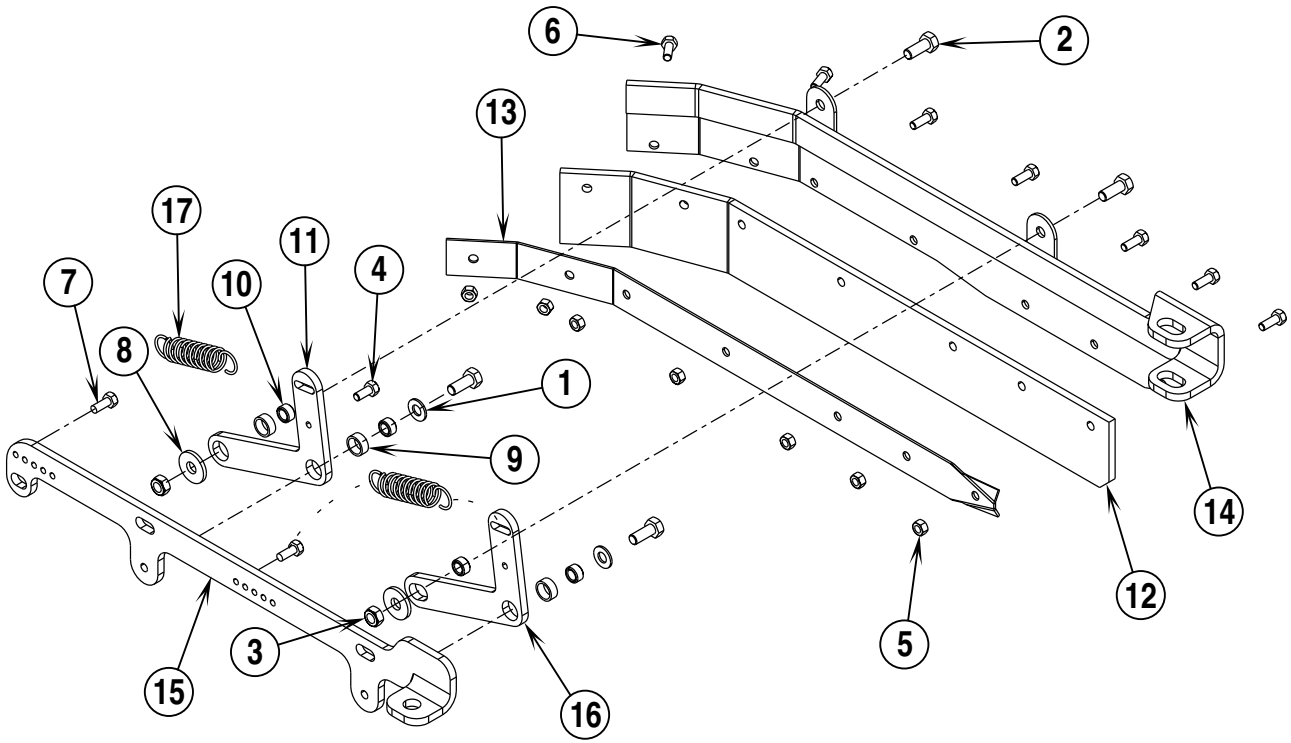
Item	Ref. No.	Qty	Description
1	56014601	1	Decal, Caution
2	56016341	1	Decal, Circuit Breaker
3	56016344	1	Decal, Flow / Parking Brake
4	56016345	1	Decal, Battery Wiring
5	56016348	1	Decal, Logo
6	56016362	1	Decal, BR 700
	56016360	1	Decal, HR 2800
7	56025109	1	Decal, Emergency
8	56412095	1	Plaque, Decal Logo
9	56016421	1	Decal, Logo 2 inch
10	56016346	1	Decal, Wear Items (2800)



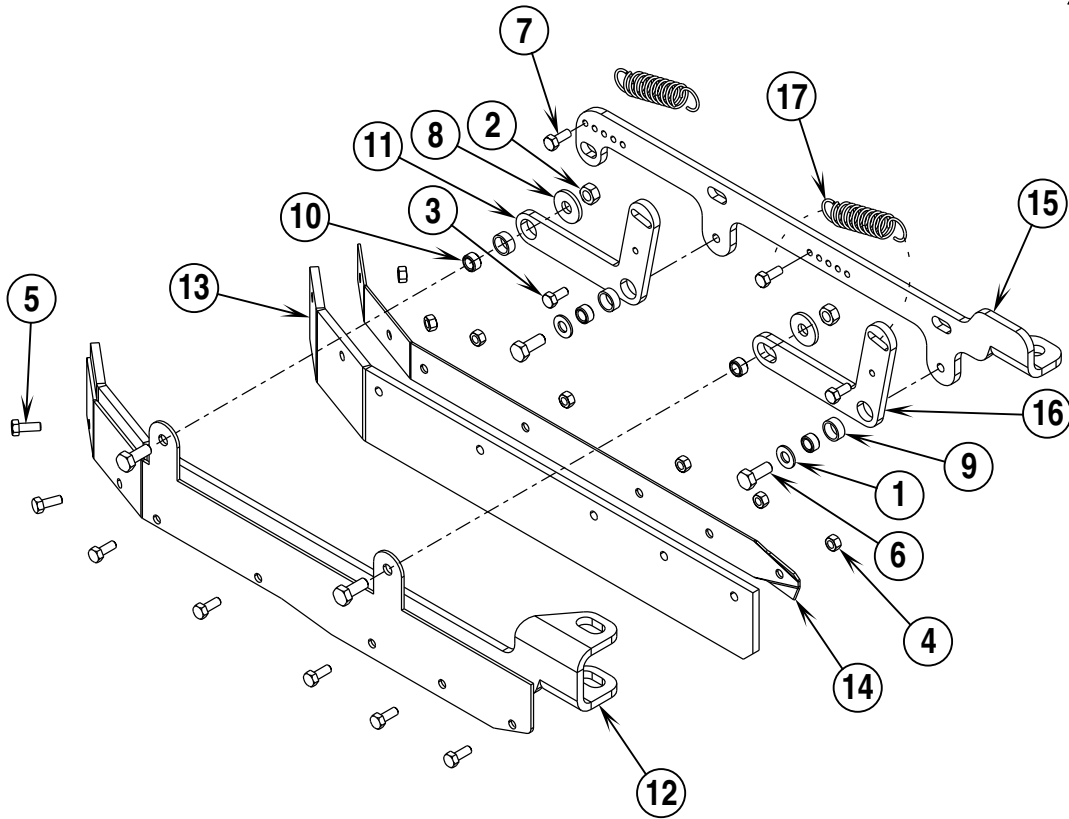
99-6	<b>SCRUB SYSTEM (disc)</b>	<b>BOOK E</b>		
03-11	<b>Hydro-Retriever™ 2800, 2800C / BR 700, 700C, 700C-XL</b>	<b>E</b>	<b>6.9.1</b>	<b>13</b>

Item	Ref. No.	Qty	Description	Item	Ref. No.	Qty	Description
1	56001884	2	Nut, Hex Jam 5/16-24 <b>TSB767</b>	49	56412460	1	Skirt, Bristle Long (after SN1502058) <b>TSB767</b>
2	56002843	4	Nut, Hex Nyl Loc-Thin 1/2-13		56412171	1	Blade (before SN1502059) <b>TSB767</b>
3	56002918	2	Wsh, Flt SAE SS 1/2	**	56412292	1	Blade, Oil Resistant Front
4	56002938	26	Wsh, Flt SAE SS 5/16		56412169	1	Strap (before SN1502059) <b>TSB767</b>
5	56002950	4	Nut, Hex Nyl Loc 5/16-24	50	56412172	1	Blade
6	56002959	2	Pin, Cotter Hair	**	56412293	1	Blade, Oil Resistant Rear
7	56003262	4	Ring, Ret Ext Type E .38 Dia.	51	56412176	1	Bushing
8	56003264	12	Ring, Ret Ext Type E .50 Dia.	52	56412204	1	Tee, Barb 3/8 x 3/8 NPT
9	56003282	2	Scr, Hex Hd 1/2-13 x 5.00	53	56412207	1	Hose, Spiral .375
10	56003335	2	Scr, Hex Loc SS 5/16-18 x .88	54	56412213	1	Motor Gearbox Assy <b>TSBUS2002-831</b>
11	56002885	6	Scr, Hex SS 3/8-16 x .75	*	56412214	1	Motor
12	56003403	2	Nut, Hex Nyl Loc M6-1.00	*	56407196	2	Gearbox
13	56003405	14	Nut, Hex Nyl Loc SS M8-1.25	*	56412266	4	Brush Board Assembly
14	56003426	10	Nut, Hex Nyl Loc SS M6-1.00	*	56412267	4	Brush Spring
15	56003431	4	Scr, Hex Hd SS M6-1.0 x 16mm	*	56412268	4	Brush Assembly
16	56003435	8	Scr, Hex Hd SS M8-1.25 x 20mm	*	56412286	1	Brush / Spring Kit
17	56003639	6	Scr, Hex Hd SS M8-1.25 x 30mm	55	56412262	1	Housing, Spring ( <b>TSBUS2002-811</b> )
18	56002883	5	Scr, Hex Hd SS 1/4-20 x 1.00	56	56412282	1	Right Skirt Assy (see associated pages) <b>TSB 768</b>
19	56003454	6	Scr, Hex Thd To Hd SS M6-1.0 x 20mm				
20	56003477	6	Scr, Hex Loc SS M8-1 x 25mm	57	56412283	1	Left Skirt Assy (see associated pages) <b>TSB 768</b>
21	56003492	1	Scr, Hex M6-1.0 x 95mm				
22	56009019	2	Scr, Hex Thd Form 1/4-20 x .38	58	56420018	1	Compression Spring
23	56009030	6	Scr, Pan Phil Thd Form 10-24 x .38	59	56420019	1	Nut Retainer
24	56009062	4	Scr, Pan Phil Thd Form 1/4-20 x .50	60	56420020	1	Nut Retainer
25	56009096	2	Wsh, Flt .193 x .875 x .060	61	56900069	1	Barb, Adapter 1/2 x 3/8 NPT
26	56009107	2	Wsh, Flt SS .378 x 1.00 x .120	62	56395755	2	Rod End <b>TSB767</b>
27	56219932	1	Clamp, Hose SAE #6	63	56249280	2	Tee, Barb
28	56412219	1	Solution Drain Hose	64	56412187	2	Solution Drain Hose
29	56302164	6	Bearing, Flange	65	56412189	1	Hose, Solution Air Bleed
30	56412344	2	Wire Rope Assy	66	56492305	2	Boot, Rubber
31	56412459	1	Wheel	67	56152811	2	Collar
32	56366455	2	Plate, Stop	68	56001841	2	Scr, Soc Set Loc 1/4-20 x .25
33	56366463	2	Spring Retainer	69	56330391	2	Wire Rope, 12 inch
34	56388672	1	Pin	70	56003174	1	Scr, Hex Thd to Hd M6-1.0 x 16mm
35	56393303	1	Actuator Motor	71	56009064	1	Wsh, Int SHPRF 1/4
36	56477756	2	End, Rod <b>TSB767</b>	72	56009048	5	Nut, Wing Loc 1/4-20 (after SN1502058) <b>TSB767</b>
37	56407053	4	Thermoid Disk				
38	56314030	2	Brush Holder	73	56382566	2	Bumper
39	56407198	2	Mount Bracket	74	56002850	5	Nut Hex Nyl Loc-Thin SS 1/4-20
40	56412052	3	Arm, Mount	75	56003670	2	Key, Sq .19 x 1.62
41	56412056	2	Rod, Adjuster	76	56314108	2	Hub, Drive
42	56412071	1	Compression Spring	77	56314150	2	Spacer
43	56412076	1	Solenoid Valve Assembly	78	56314151	2	Spacer
44	56412088	1	Pin				
45	56412096	1	Deck Weldment	**	56412291	1	Neoprene Disk Deck Blade Kit (before SN1502059) <b>TSB767</b>
46	56314163	2	Kit, Hub Replacement (Items 75-78)				
47	56412461	1	Skirt, Bristle Short (after SN1502058) <b>TSB767</b>	**	56412295	1	Standard Disk Deck Blade Kit (before SN1502059) <b>TSB767</b>
48	56412170	1	Strap	**	56412343	1	Standard Disk Deck Blade Kit (after SN1502058) <b>TSB767</b>
				**	56505770	2	Short Trim Pad Holder
				**	56505771	2	Magna Grit 46 Brush
				**	56505772	2	Dyna Grit 80 Brush
				**	56505773	2	AgLite Grit 500 Brush
				**	56505774	2	Prolene Brush
				**	56505775	2	ProLite Brush
				**	56505776	2	Union Mix Brush
				**	56505777	2	Mid Grit 240 Brush
				**	56505778	2	MidLite Grit 180 Brush

\* = Not Shown  
\*\* = Optional



FRONT





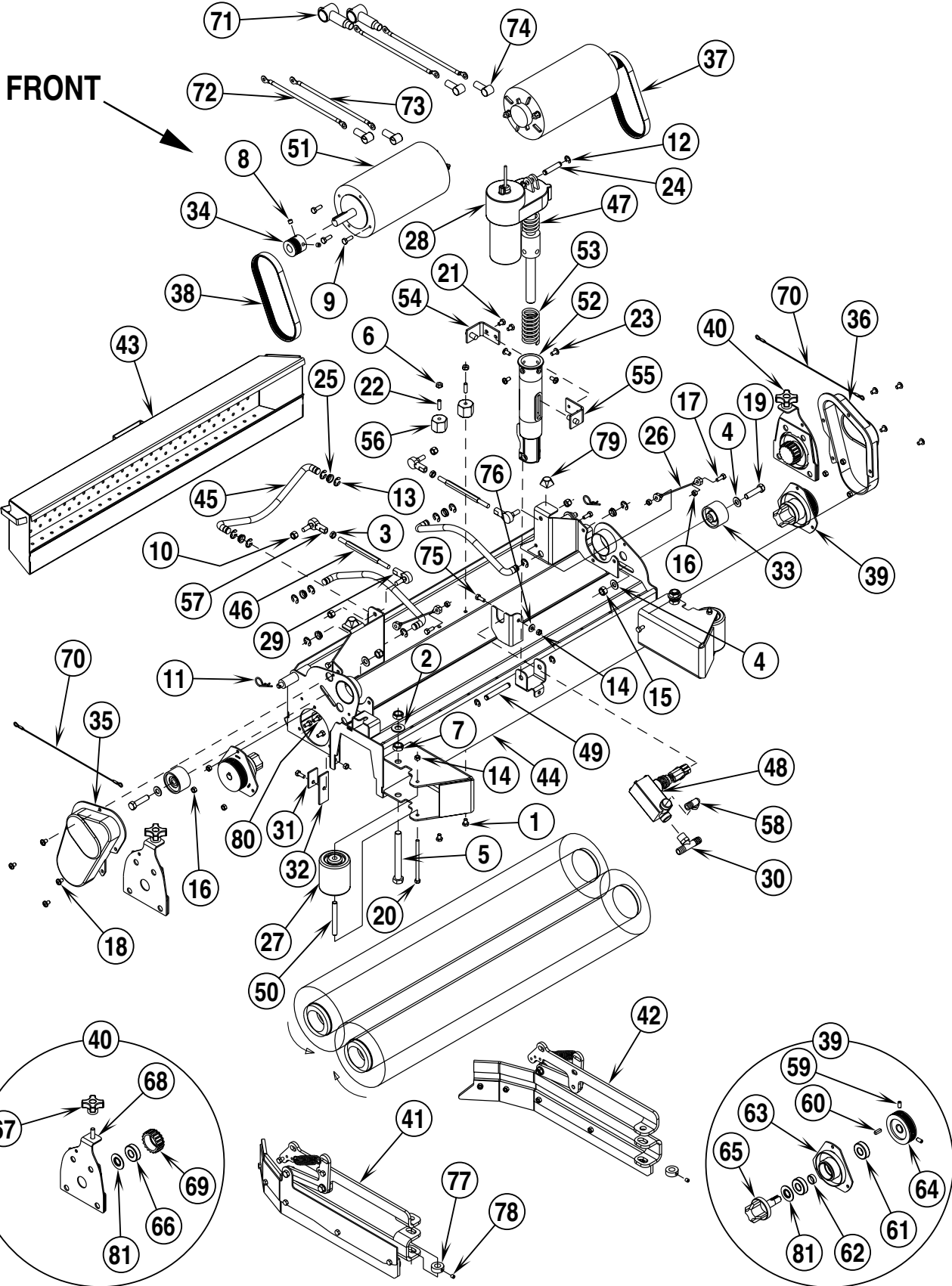
99-6	<b>SCRUB SYSTEM SKIRT ASSEMBLIES (disc)</b>	<b>BOOK E</b>		
02-6	<b>Hydro-Retriever™ 2800, 2800C / BR 700, 700C, 700C-XL</b>	<b>E</b>	<b>6.9.1</b>	<b>15</b>

Item	Ref. No.	Qty	Description
<b>Left Skirt Assembly</b>			
1	56001939	2	Wsh, Flt SAE 5/16
2	56003179	4	Scr, Hex Thd To Hd M8-1.25 x 20mm
3	56003389	2	Nut, Hex Nyl Loc M8-1.25
4	56003413	1	Scr, Hex M6-1.0 x 14mm
5	56003426	7	Nut, Hex Nyl Loc SS M6-1.0
6	56003431	7	Scr, Hex Hd SS M6-1.0 x 16mm
7	56003441	2	Scr, Hex Nyl Loc M6-1 x 15mm
8	56009107	2	Wsh, Flt SS .378 x 1.00 x .120
9	56185263	3	Bearing, Sleeve
10	56320595	4	Bushing .32 x .50 x .28
11	56407413	1	Arm, Mount <b>TSB802</b>
12	56412107	1	Skirt <b>TSB 768</b>
**	56412294	1	Blade, Oil Resistant (Disk)
13	56412108	1	Retainer, Skirt <b>TSB 768</b>
14	56412110	1	Skirt Bracket Weldment <b>TSB 768</b>
15	56412113	1	Bracket, Mount
16	56412114	1	Arm, Mount
17	56470672	2	Spring, Extension

<b>Right Skirt Assembly</b>			
1	56002938	2	Wsh, Flt SAE SS 5/16
2	56003405	2	Nut, Hex Nyl Loc SS M8-1.25
3	56003413	2	Scr, Hex M6-1.0 x 14mm
4	56003426	7	Nut, Hex Nyl Loc SS M6-1.0
5	56003431	7	Scr, Hex Hd SS M6-1.0 x 16mm
6	56003435	4	Scr, Hex Hd SS M8-1.25 x 20mm
7	56003441	2	Scr, Hex Nyl Loc M6-1 x 15mm
8	56009107	2	Wsh, Flt SS .378 x 1.00 x .120
9	56185263	3	Bearing, Sleeve
10	56320595	4	Bushing .32 x .50 x .28
11	56407413	1	Arm, Mount <b>TSB802</b>
12	56412104	1	Skirt Bracket Weldment <b>TSB 768</b>
13	56412107	1	Skirt <b>TSB 768</b>
**	56412294	1	Blade, Oil Resistant (Disk)
14	56412108	1	Retainer, Skirt <b>TSB 768</b>
15	56412109	1	Bracket, Mount
16	56412114	1	Arm, Mount
17	56470672	2	Spring, Extension

**	56412291	1	Neoprene Disk Deck Blade Kit ( <b>before SN1502059</b> ) <b>TSB767</b>
**	56412295	1	Standard Disk Deck Blade Kit ( <b>before SN1502059</b> ) <b>TSB767</b>
**	56412343	1	Standard Disk Deck Blade Kit ( <b>after SN1502058</b> ) <b>TSB767</b>

\*\* = Optional

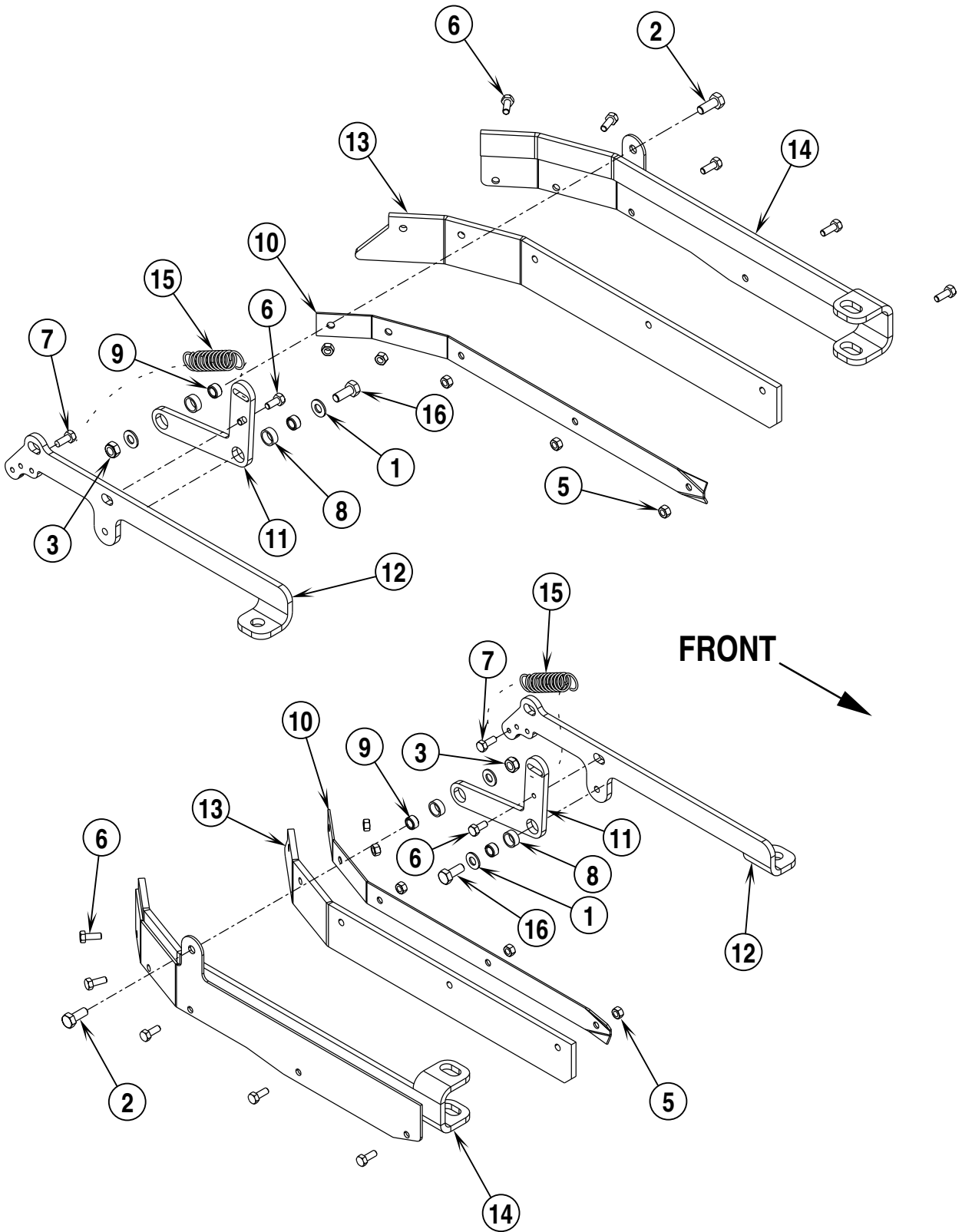


99-6	<b>SCRUB SYSTEM (cylindrical)</b>	<b>BOOK E</b>		
02-9	<b>Hydro-Retriever™ 2800, 2800C / BR 700, 700C, 700C-XL</b>	<b>E</b>	<b>6.9.1</b>	<b>17</b>

Item	Ref. No.	Qty	Description	Item	Ref. No.	Qty	Description
1	56001861	2	Scr, Hex Hd 1/4-20 x .38	46	56412056	2	Rod, Adjuster
2	56001879	2	Wsh, Flt SAE 1/2	47	56412071	1	Compression Spring
3	56001884	2	Nut, Hex Jam 5/16-24 <b>TSB767</b>	48	56412076	1	Solenoid Valve
4	56002063	4	Wsh, Flt SAE 3/8	49	56412088	1	Pin
5	56002484	2	Scr, Hex Hd 1/2-13 x 4.50	50	56412176	2	Bushing ( <b>qty of 1 on 28"</b> )
6	56002561	2	Nut, Hex W/Shprf 1/4-20	51	56412178	2	Motor, 24VDC, .75HP
7	56002843	4	Nut, Hex Nyl Loc-Thin 1/2-13	*	56412254	A/R	Armature (1 per motor)
8	56002086	4	Scr, Soc Set Loc 5/16-18 x .25	*	56412255	A/R	Bearing (2 per motor)
9	56002948	6	Scr, Hex Hd Loc 1/4-20 x .75	*	56412257	A/R	Brush Cap Assy (1 per motor)
10	56002950	4	Nut, Hex Nyl Loc 5/16-24	*	56412258	A/R	Brush Assy (4 per motor)
11	56002959	2	Pin, Cotter Hair	*	56412259	A/R	Brush Spring (4 per motor)
12	56003262	4	Ring, Ret Ext Type E .38 Dia.	*	56412287	A/R	Brush / Spring Kit (1 per motor)
13	56003264	12	Ring, Ret Ext Type E .50 Dia.	52	56412262	1	Housing, Spring ( <b>TSBUS2002-811</b> )
14	56003403	3	Nut, Hex Nyl Loc M6-1.00 ( <b>qty 2 on 28"</b> )	53	56420018	1	Compression Spring
15	56003406	2	Nut, Hex Nyl Loc M10-1.50	54	56420019	1	Nut Retainer
16	56003426	12	Nut, Hex Nyl Loc SS M6-1.00	55	56420020	1	Nut Retainer
17	56003431	6	Scr, Hex Hd SS M6-1.0 x 16mm	56	56469858	2	Standoff, Insulated
18	56003603	8	Scr, Pan Phil Thd Form 1/4-20 x .38	57	56477756	2	Rod End <b>TSB767</b>
19	56003491	2	Scr, Hex M10-1.50 x 40mm	58	56900069	1	Barb, 90 Elbow 1/2 x 3/8NPT
20	56003492	2	Scr, Hex M6-1.0 x 95mm ( <b>qty 1 on 28"</b> )	59	56002119	4	Scr, Soc Set Loc 1/4-20 x .50 ( <b>TSBUS2002-821</b> )
21	56009019	2	Scr, Hex Thd Form 1/4-20 x .38	60	56003237	2	Key, Sq. .19 x .62 ( <b>TSBUS2002-821</b> )
22	56009020	2	Stud	61	56106070	4	Bearing, Ball ( <b>TSBUS2002-821</b> )
23	56009062	4	Scr, Pan Phil Thd Form 1/4-20 x .50	62	56407389	2	Spacer ( <b>TSBUS2002-821</b> )
24	56104760	1	Pin	63	56407556	2	Bearing Plate Weldment ( <b>TSBUS2002-821</b> )
25	56302164	6	Bearing, Flange	64	56407442	2	Sheave, Poly-V ( <b>TSBUS2002-821</b> )
26	56412344	2	Wire Rope Assy.	65	56407557	2	Spindle ( <b>TSBUS2002-821</b> )
27	56412459	2	Wheel ( <b>qty of 1 on 28"</b> )	66	56106070	2	Bearing, Ball ( <b>TSBUS2002-821</b> )
28	56393303	1	Actuator, Motor	67	56407303	2	Knob ( <b>TSBUS2002-821</b> )
*	56470433	1	Carbon Brush Kit	68	56407552	2	Idle Bearing Plate Weldment ( <b>TSBUS2002-821</b> )
*	56388520	1	Plastic Drive Nut	69	56407551	2	Hub ( <b>TSBUS2002-821</b> )
*	56393790	1	Replacement Limit Switch (2 required)	70	56330391	2	Wire Rope, 12 inch
29	56395755	2	End, Rod <b>TSB767</b>	71	56493357	2	Insulator, Terminal
30	56407012	1	Tee, Barb 3/8 NPT x 1/2 x 1/2	72	56412297	2	Cable Assy 8 AWG
31	56410214	2	Strap	73	56412296	2	Cable Assy 8 AWG
32	56407391	2	Blade	74	56492305	4	Boot, Rubber
33	56407432	2	Idler, Belt	75	56003174	1	Scr, Hex Thd to Hd M6-1.0 x 16mm
34	56407433	2	Sheave, Poly-V	76	56009064	1	Wsh, Int SHPRF 1/4
35	56407434	1	Guard, Right Belt	77	56152811	2	Collar
36	56407435	1	Guard, Left Belt	78	56001841	2	Scr, Soc Set Loc 1/4-20 x .25
37	56407465	1	Belt, Poly-V 180J6	79	56382566	2	Bumper, .812 Square
38	56407466	1	Belt, Poly-V 190J6	80	56003211	6	Scr, Hex Hd SS M6-1.0 x 12mm
39	56407559	2	Drive End Assembly ( <b>#59-65 &amp; 81</b> ) ( <b>TSBUS2002-821</b> )	81	56407558	4	Washer, Bearing ( <b>TSBUS2002-821</b> )
40	56407554	2	Idler End Assembly ( <b>#66-69 &amp; 81</b> ) ( <b>TSBUS2002-821</b> )	**	56412046	2	Cyl. Brush Polypropylene 28"
41	56407470	1	Right Skirt Assy ( <b>see associated pages</b> )	**	56412191	2	Cyl. Brush Soft Nylon 28"
42	56407471	1	Left Skirt Assy ( <b>see associated pages</b> )	**	56412192	2	Cyl. Brush Hard Nylon 28"
43	56412041	1	Hopper Weld't ( <b>28"</b> )	**	56412193	2	Cyl. Brush 180 Grit 28"
	56407430	1	Hopper Weld't. ( <b>32"</b> )	**	56412194	2	Cyl. Brush 80 Grit 28"
44	56412044	1	Housing Weld't. ( <b>28"</b> )	**	56412195	2	Cyl. Brush 46 Grit 28"
	56412352	1	Housing Weld't. ( <b>32"</b> )	**	56407475	2	Cyl. Brush Polypropylene 32"
45	56412052	3	Arm, Mount	**	56407473	2	Cyl. Brush Soft Nylon 32"
				**	56407474	2	Cyl. Brush Hard Nylon 32"
				**	56407476	2	Cyl. Brush 180 Grit 32"
				**	56407477	2	Cyl. Brush 80 Grit 32"
				**	56407478	2	Cyl. Brush 46 Grit 32"

\* = Not Shown

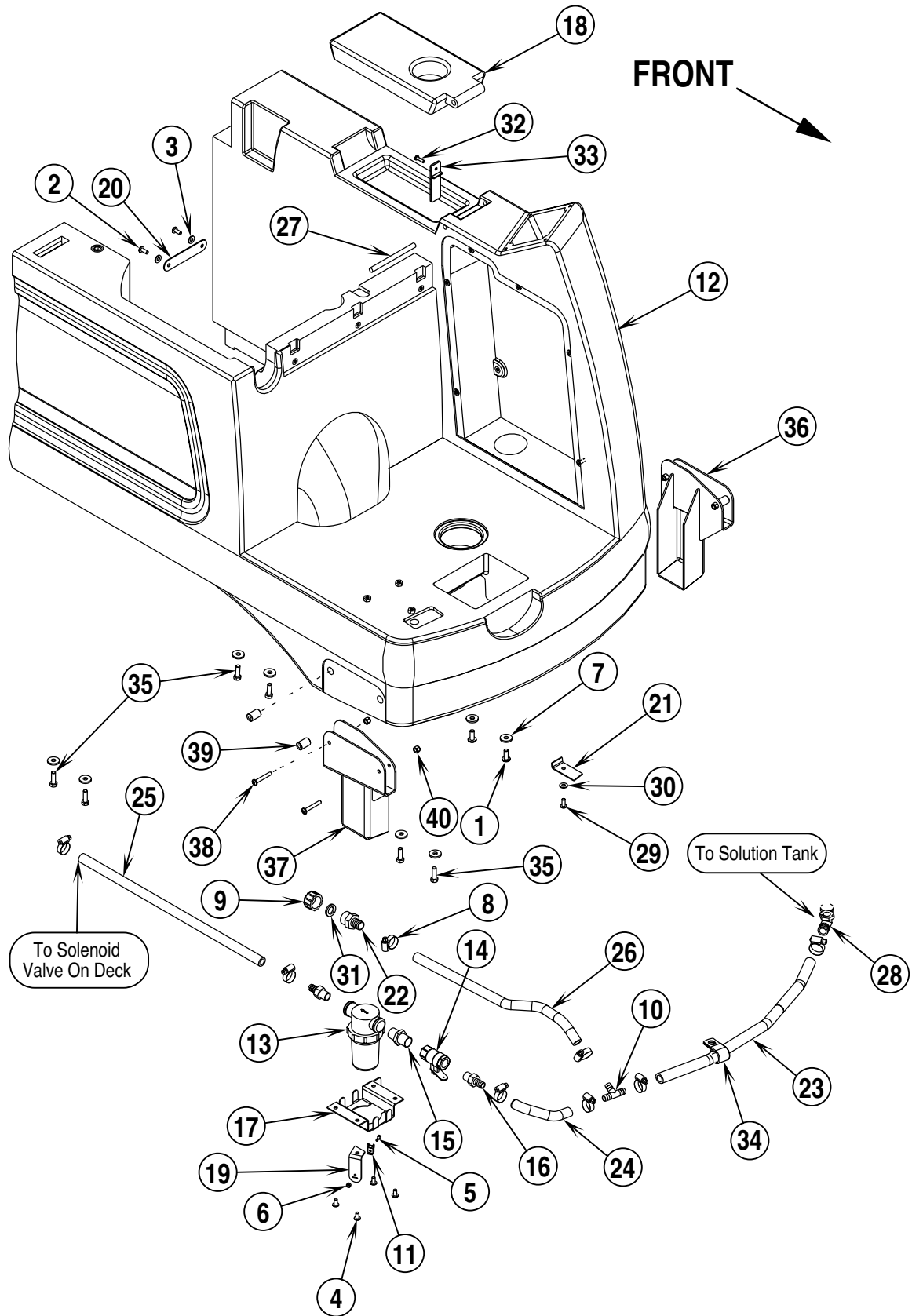
\*\* = Optional



99-6	<b>SCRUB SYSTEM SKIRT ASSEMBLIES (cylindrical)</b>	<b>BOOK E</b>		
02-2		<b>Hydro-Retriever™ 2800, 2800C / BR 700, 700C, 700C-XL</b>	<b>E</b>	<b>6.9.1</b>

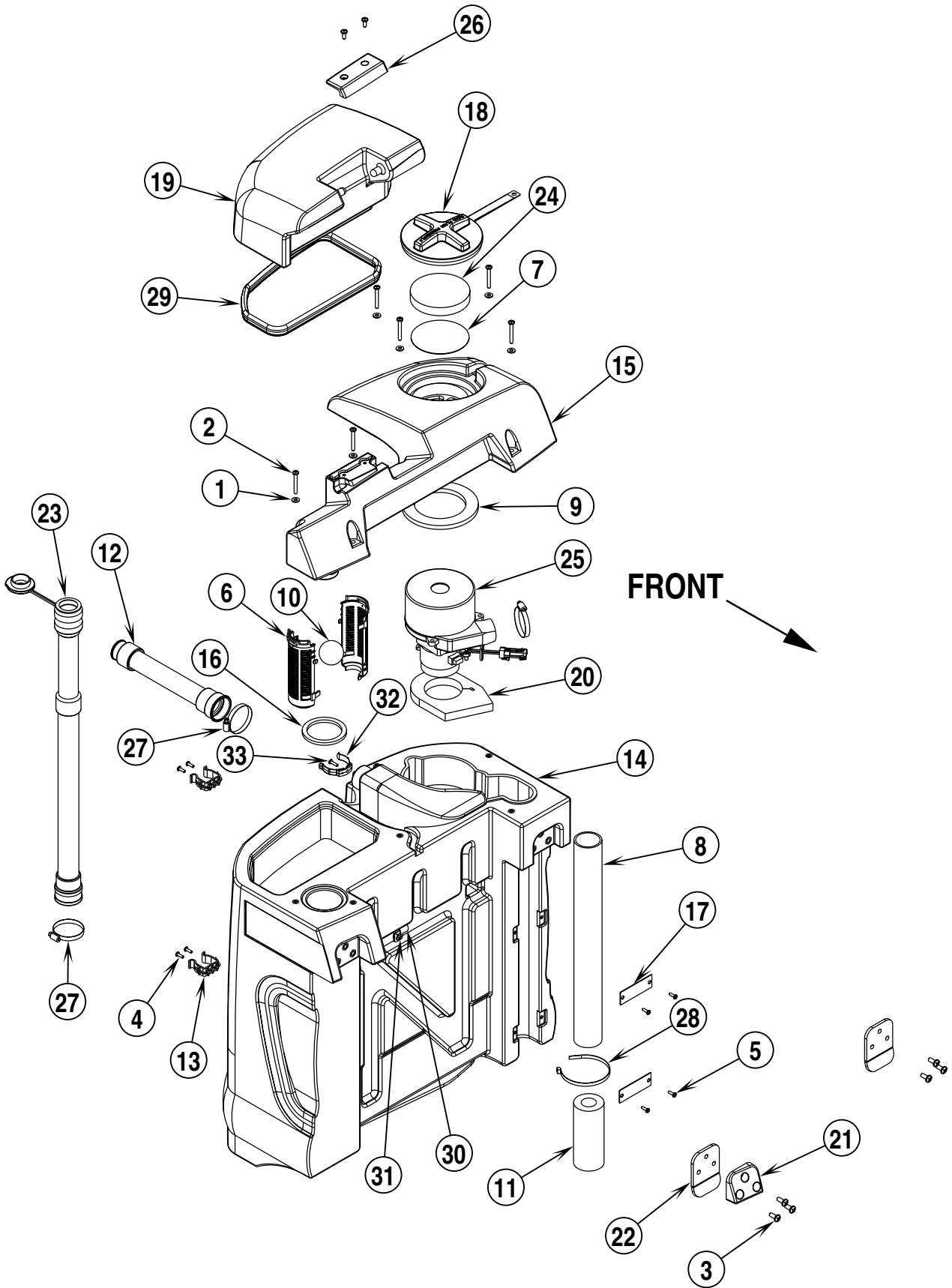
Item	Ref. No.	Qty	Description
	56407471	1	<b>Left Skirt Assembly</b>
1	56001939	2	Wsh, Flt SAE 5/16
2	56003179	1	Scr, Hex Thd To Hd M8-1.25 x 20mm
3	56003389	1	Nut, Hex Nyl Loc M8-1.25
5	56003426	5	Nut, Hex Nyl Loc SS M6-1.0
6	56003431	6	Scr, Hex Hd SS M6-1.0 x 16mm
7	56003441	1	Scr, Hex Nyl Loc M6-1 x 15mm
8	56185263	2	Bearing, Sleeve
9	56320595	2	Bushing .32 x .50 x .28
10	56407411	1	Retainer, Skirt
11	56407413	1	Arm, Mount <b>TSB802</b>
12	56407414	1	Bracket, Mount
13	56407447	1	Skirt
**	56407392	1	Skirt, Oil Resistant
14	56407449	1	Skirt Bracket Weldment
15	56470672	1	Spring, Extension
16	56003178	1	Scr, Hex M8-1.25 x 16mm
	56407470	1	<b>Right Skirt Assembly</b>
1	56001939	2	Wsh, Flt SAE 5/16
2	56003179	1	Scr, Hex Thd To Hd M8-1.25 x 20mm
3	56003389	1	Nut, Hex Nyl Loc M8-1.25
5	56003426	5	Nut, Hex Nyl Loc SS M6-1.0
6	56003431	6	Scr, Hex Hd SS M6-1.0 x 16mm
7	56003441	1	Scr, Hex Nyl Loc M6-1 x 15mm
8	56185263	2	Bearing, Sleeve
9	56320595	2	Bushing .32 x .50 x .28
10	56407411	1	Retainer, Skirt
11	56407413	1	Arm, Mount <b>TSB802</b>
12	56407415	1	Bracket, Mount
13	56407447	1	Skirt
**	56407392	1	Skirt, Oil Resistant
14	56407448	1	Skirt Bracket Weldment
15	56470672	1	Spring, Extension
16	56003178	1	Scr, Hex M8-1.25 x 16mm

\*\* = Optional



99-6	<b>SOLUTION SYSTEM</b>	<b>BOOK E</b>		
02-8	<b>Hydro-Retriever™ 2800, 2800C / BR 700, 700C, 700C-XL</b>	<b>E</b>	<b>6.9.1</b>	<b>21</b>

Item	Ref. No.	Qty	Description
1	56003003	2	Scr, Pan Phil 5/16-18 X .62
2	56002066	2	Scr, Pan Phil 1/4-20 x .62
3	56002098	2	Wsh, Flt SAE 1/4
4	56002145	4	Scr, Pan Phil 1/4-20 x .50
5	56002589	1	Scr, Hex Hd 6-32 x .50
6	56002830	1	Nut, Hex Nyl Loc 6-32
7	56009122	8	Wsh, Flt .344 x .938 x .125
8	56219932	8	Clamp, Hose SAE #6
9	56255076	1	Cap, Pipe GHT Nylon
10	56262549	1	Tee, Barb
11	56344265	1	Clamp, Cable
12	56412140	1	Tank, Solution
13	56412173	1	Solution Filter
14	56412174	1	Solution Shut-off Valve
15	56412182	1	Nipple, Hex 3/4-14
16	56412184	2	Barb, Adapter 1/2 x 1/2 NPT
17	56412186	1	Bracket, Solution Control
18	56412201	1	Cover, Solution Tank
19	56412242	1	Cable Support
20	56412269	1	Cable Retainer
21	56412270	1	Bracket, Cable Support
22	56412273	1	Barb, Adapter 1/2 x 3/4 GHT
23	56412275	1	Hose, Solution
24	56412276	1	Hose, Solution
25	56412277	1	Solution Hose
26	56409462	1	Hose, Drain
27	56412279	1	Hinge Pin
28	56324035	1	Barb, 90 Degree Elbow
29	56002124	1	Scr, Pan Phil 10-24 x .62
30	56001954	1	Wsh, Flt SAE #10
31	56368776	1	Washer, Rubber
32	56009005	1	Scr, Pan Phil SS Type B 10-16 x .75
33	56412309	1	Water Level Gauge
34	56412332	1	Clamp, Hose Support
35	56002035	6	Scr, Hex Hd 5/16-18 X .62
36	56412005	1	Left Guard Weld't. <b>TSB 778</b>
37	56412004	1	Right Guard Weld't. <b>TSB 778</b>
38	38002997	4	Scr, Pan Phil 1/4-20 x 1.75 <b>TSB 778</b>
39	56412013	4	Spacer <b>TSB 778</b>
40	56002708	4	Nut, Hex Nyl Loc 1/4-20 <b>TSB 778</b>

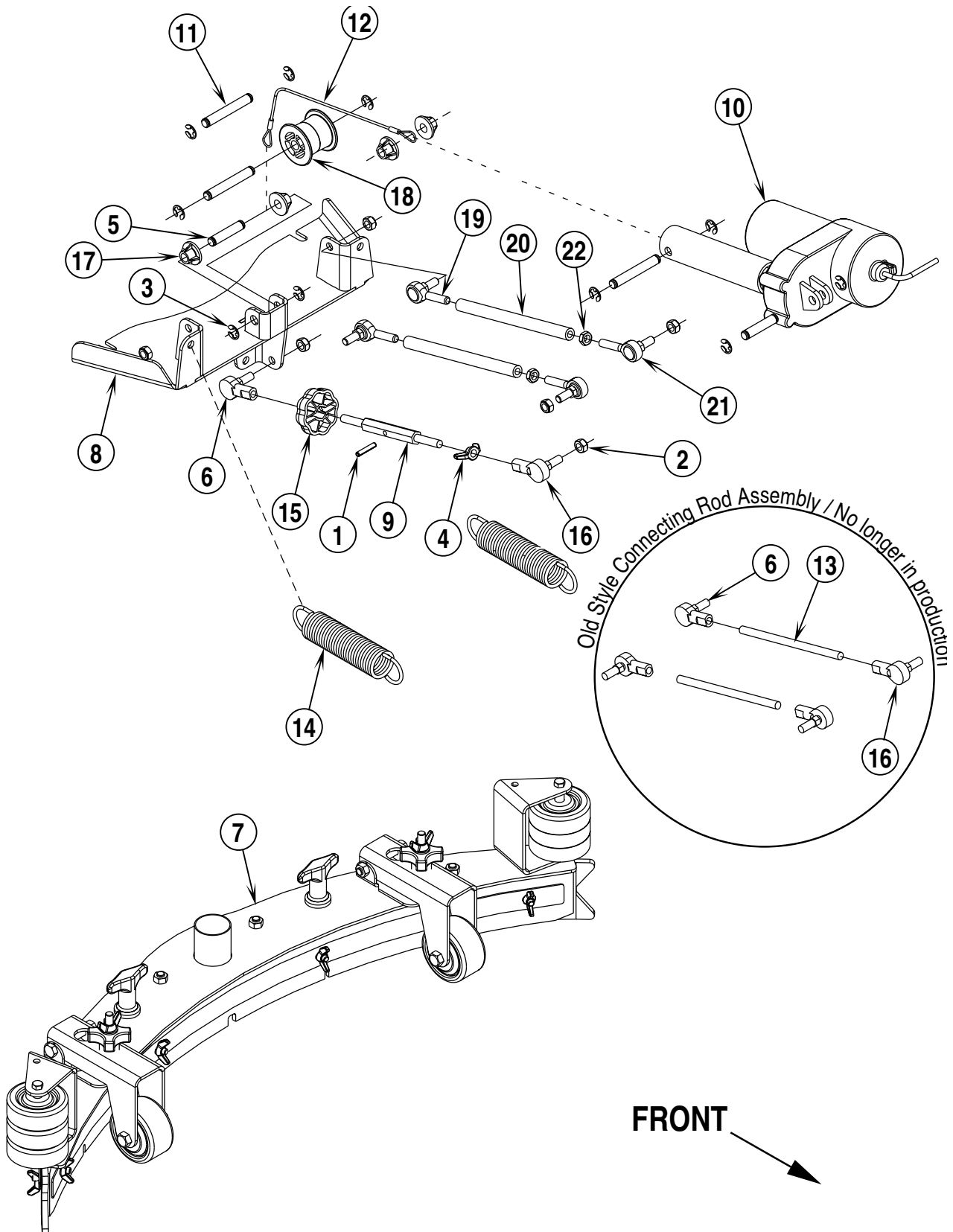




99-6	<b>RECOVERY SYSTEM</b>	<b>BOOK E</b>		
02-8	<b>Hydro-Retriever™ 2800, 2800C / BR 700, 700C, 700C-XL</b>	<b>E</b>	<b>6.9.1</b>	<b>23</b>

Item	Ref. No.	Qty	Description
1	56002098	6	Wsh, Flt SAE 1/4
2	56002108	6	Scr, Pan Phil 1/4-20 x 2.00
3	56002793	6	Scr, Pan Phil 5/16-18 x .75
4	56002896	8	Scr, Pan Phil SS 10-24 x .62
5	56009210	2	Scr, Pan Phil Type B 1/4-14 x .62
6	56324497	2	Cage, Float
7	56325531	1	Screen
8	56459937	1	Hose, Vac
9	56385437	1	Gasket
10	56391690	1	Ball, Float
11	56391807	1	Foam, Acoustical
12	56412373	1	Vac Hose Assembly (after SN 1608879 for 2800 & after SN1610480 for BR 700) <b>TSBUS2002-823</b>
	56392170	1	Hose Assembly (before SN 1608880 for 2800 & before SN 1610481 for BR 700) <b>TSBUS2002-823</b>
13	56407361	2	Clamp, Plastic
14	56412152	1	Tank, Recovery (HR 2800) <b>TSBUS2002-823</b>
	56412139	1	Tank, Recovery (BR 700) <b>TSBUS2002-823</b>
15	56412153	1	Vacuum Duct
16	56412154	1	Gasket, Vacuum Duct
17	56412155	2	Bracket, Exhaust Hose
18	56412158	1	Cap Assembly
*	56412156	1	Cap
*	56412157	1	Gasket, Cap
19	56412159	1	Cover, Recovery Tank
20	56412160	1	Separator, Foam
21	56412163	1	Cover, Bracket
22	56412164	2	Bracket, Tank
23	56412206	1	Drain Hose
24	56412217	1	Filter, Round
25	56412300	1	Motor, Vac 24VDC
*	56397098	1	Carbon Brush Set (for 56412300)
26	56412230	1	Hinge, Plastic
27	56440213	3	Clamp, Hose SAE #32
28	56477613	1	Tie, Cable
29	56412068	1	Gasket, Cut
30	56469380	1	Clamp, P
31	56002145	1	Scr, Pan Phil 1/4-20 x .50
32	56412093	1	Hose Clasp
33	56002192	1	Scr, Pan Phil 10-24 x .75

\* = Not Shown

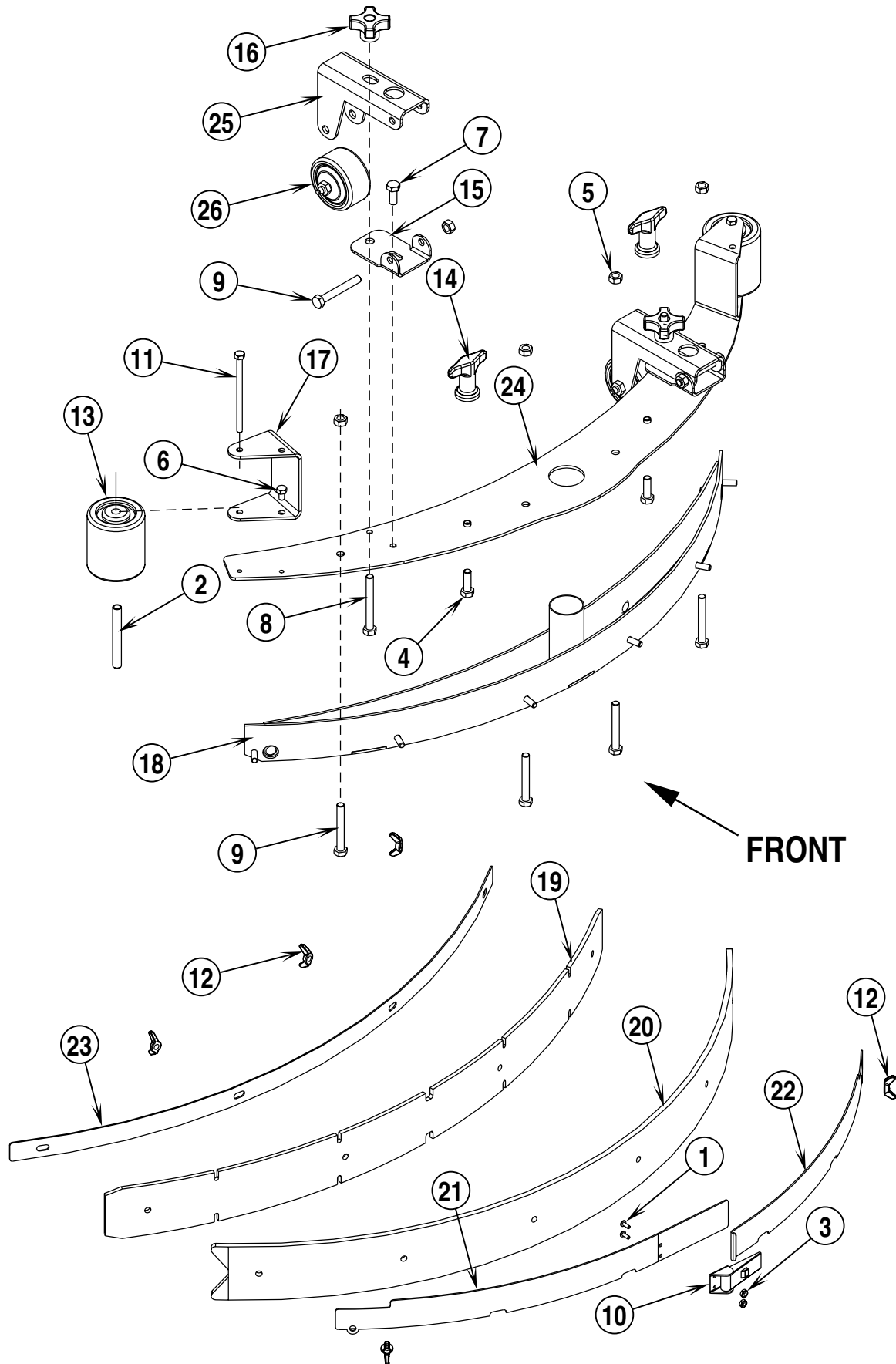


99-6	<b>SQUEEGEE SYSTEM</b>	<b>BOOK E</b>		
02-2	<b>Hydro-Retriever™ 2800, 2800C / BR 700, 700C, 700C-XL</b>	<b>E</b>	<b>6.9.1</b>	<b>25</b>

Item	Ref. No.	Qty	Description
1	56002082	1	Pin, Spr. .19 x 1.00
2	56002866	6	Nut, Hex Nyl Loc-Thin 5/16-24
3	56003262	10	Ring, Ret Ext Type E .38 Dia.
4	56003497	1	Nut, Wing SS 5/16-24
5	56104760	2	Pin
6	56395755	3	End, Rod ( <b>qty of 1 in current production units</b> ) NOTE*
7	56412025	1	Squeegee Assembly ( <b>28"</b> )
	56412356	1	Squeegee Assembly ( <b>32"</b> )
8	56412036	1	Squeegee Mount Weldment
9	56412067	1	Connecting Rod
10	56412072	1	Actuator, Motor
*	56393790	1	Replacement Limit Switch (2 required)
11	56412088	3	Pin
12	56412340	1	Cable Assembly <b>TSB 752</b>
13	56412121	2	Connecting Rod <b>NOTE*</b>
14	56412216	2	Spring, Extension
15	56412284	1	Knob, Squeegee Adjust
16	56477756	3	Rod End ( <b>qty of 1 in current production units</b> ) NOTE*
17	56412248	4	Spacer, Squeegee Cable
18	56412208	1	Roller
19	56412313	2	Rod End 5/16 L. H.
20	56412314	2	Connecting Rod
21	56412312	2	Rod End 5/16
22	56001884	2	Nut, Hex Jam 5/16-24

\* = Not Shown

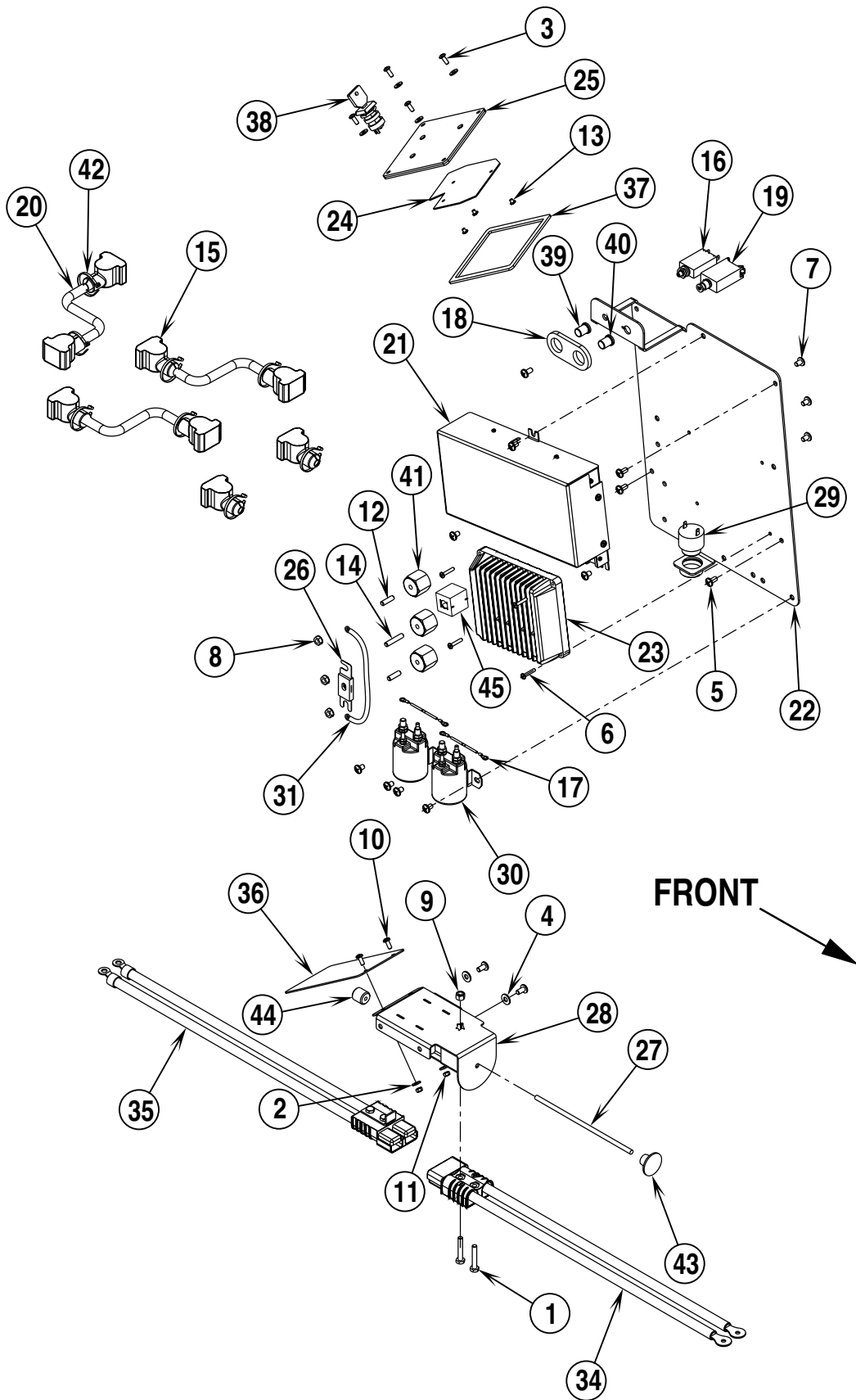
**NOTE\*** = Item 13 (Connecting Rod) is no longer available. Order a quantity of (1) of each of items 19-22 to replace a damaged item 13.



99-6	<b>SQUEEGEE ASSEMBLY</b>	<b>BOOK E</b>		
02-2	<b>Hydro-Retriever™ 2800, 2800C / BR 700, 700C, 700C-XL</b>	<b>E</b>	<b>6.9.1</b>	<b>27</b>

Item	Ref. No.	Qty	Description
	56412025	1	Squeegee Assembly (28")
	56412356	1	Squeegee Assembly (32")
1	56002909	2	Scr, Pan Phil SS 6-32 x .38
2	56412176	2	Bushing
3	56002964	2	Nut, Hex Nyl Loc-Thin SS 6-32
4	56003319	2	Scr, Hex Thd To Hd SS 5/16-18 x 1.00
5	56003405	6	Nut, Hex Nyl Loc SS M8-1.25
6	56003498	2	Scr, Hex Hd SS M6-1.0 x 10mm
7	56003435	2	Scr, Hex Hd SS M8-1.25 x 20mm
8	56003649	2	Scr, Hex Thd To Hd SS 5/16-18 x 2.75
9	56003464	6	Scr, Hex Hd SS M8-1.25 x 60mm
10	56471194	1	Latch
11	56003492	2	Scr, Hex M6-1.0 x 95mm
12	56009111	6	Nut, Wing SS 1/4-20
13	56412459	2	Wheel
14	56370711	2	Nut, Thumb
15	56407302	2	Bracket
16	56407510	2	Knob
17	56407365	2	Bracket
18	56412026	1	Tool Weldment (28")
	56412363	1	Tool Weldment (32")
19	56412029	1	Blade, Front (28")
	56412361	1	Blade, Front (32")
**	56412289	1	Blade, Oil Resistant Front (28")
**	56412367	1	Blade, Oil Resistant Front (32")
20	56412030	1	Blade, Rear (28")
	56412358	1	Blade, Rear (32")
**	56412290	1	Blade, Oil Resistant Rear (28")
**	56412368	1	Blade, Oil Resistant Rear (32")
21	56412031	1	Strap, Left Rear (28")
	56412360	1	Strap, Left Rear (32")
22	56412032	1	Strap, Right Rear (28")
	56412359	1	Strap, Right Rear (32")
23	56412033	1	Strap, Front (28")
	56412362	1	Strap, Front (32")
24	56412035	1	Plate (28")
	56412357	1	Plate (32")
25	56412099	2	Bracket
26	56412124	2	Wheel
<b>28" Accessories</b>			
**	56412265	1	Standard Squeegee Blade Kit
**	56412288	1	Neoprene Squeegee Blade Kit
**	56412337	1	Blade, Front-Tile Linard
<b>32" Accessories</b>			
**	56412370	1	Standard Squeegee Blade Kit
**	56412371	1	Neoprene Squeegee Blade Kit
**	56412369	1	Blade, Front-Tile Linard

\*\* = Optional

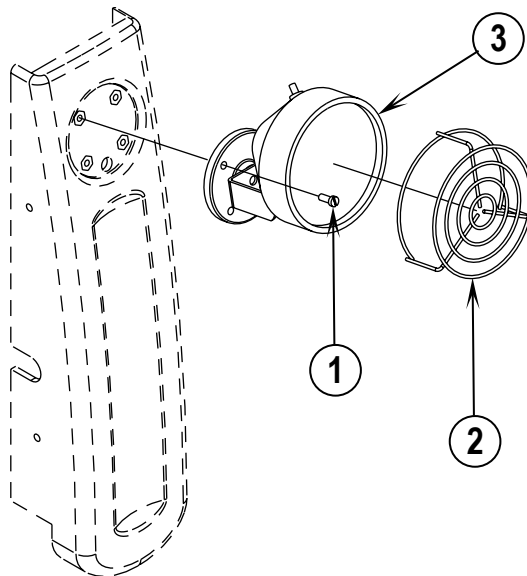
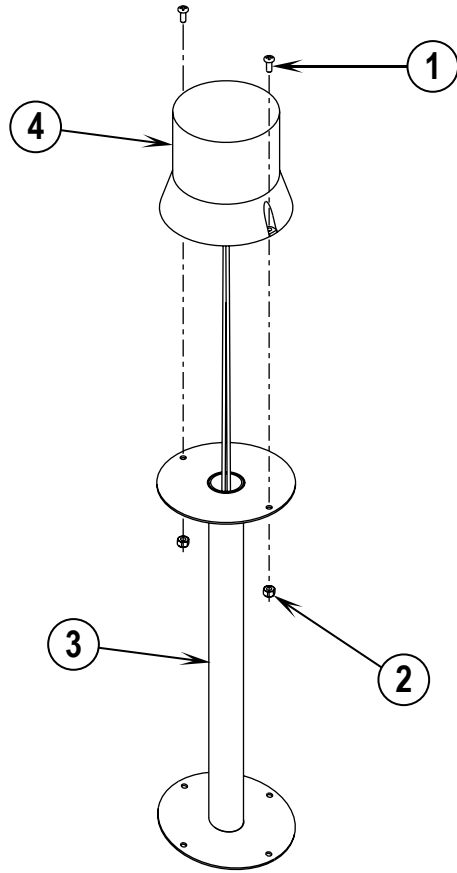
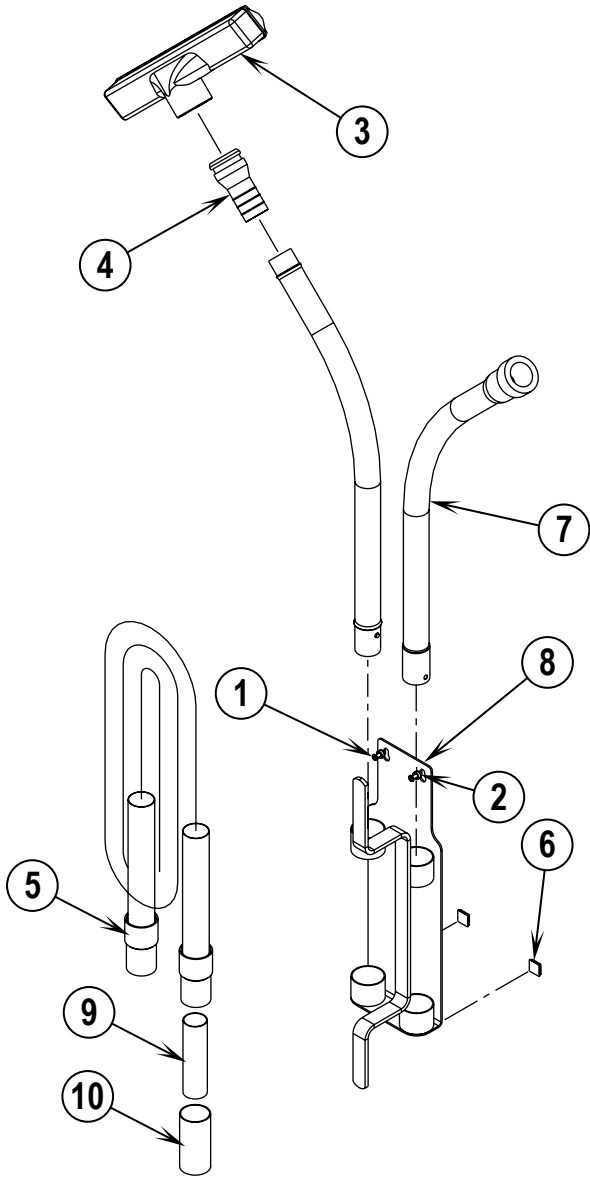


99-6	<b>ELECTRICAL SYSTEM</b>	<b>BOOK E</b>		
02-2	<b>Hydro-Retriever™ 2800, 2800C / BR 700, 700C, 700C-XL</b>	<b>E</b>	<b>6.9.1</b>	<b>29</b>

Item	Ref. No.	Qty	Description
1	56001833	2	Scr, Hex Hd 1/4-20 x 1.50
2	56001954	6	Wsh, Flt SAE #10
3	56001993	4	Scr, Pan Phil 10-24 x .50
4	56002098	2	Wsh, Flt SAE 1/4
5	56002145	6	Scr, Pan Phil 1/4-20 x .50
6	56002318	4	Scr, Pan Phil 8-32 x .88
7	56002462	11	Scr, Pan Phil 1/4-20 x .38
8	56002561	3	Nut, Hex W/Shprf 1/4-20
9	56002708	2	Nut, Hex Nyl Loc 1/4-20
10	56003377	2	Scr, Pan Phil M5 x 12mm
11	56003402	2	Nut, Hex Nyl Loc M5-.80
12	56009020	2	Stud
13	56009055	3	Scr, Pan Phil 8-32 x .19
14	56009203	1	Stud, 1/4-20
15	56372673	8	Boot, Battery Post
16	56387316	1	Circuit Breaker, 10 Amp
17	56389265	2	Rectifier Assy
18	56407193	1	Gasket
19	56407343	1	Circuit Breaker, 45 Amp
20	56409485	3	Cable, Battery
*	56398090	8	Terminal Clamp, Battery
21	56412050	1	Control Box Assembly
22	56412051	1	Panel, Electrical
23	56412053	1	Controller, 24V
24	56412081	1	Display PCB Assembly
25	56412085	1	Display Panel Assembly
26	56412089	1	Fuse, 150 Amp
27	56412127	1	Rod, Disconnect
28	56412130	1	Disconnect Support Weldment
29	56412177	1	Horn / Backup Alarm
30	56412179	2	Contact, 24VDC
31	56412180	1	Cable Assembly
32	56412181	1	Cable Assembly (not shown)
33	56412200	1	Harness, Main (not shown)
34	56412228	1	Cable Assembly 1 AWG
35	56412229	1	Cable Assembly 1 AWG
36	56412264	1	Splash Guard
37	56412274	1	Gasket
38	56420113	1	Switch, Key
*	56420158	A/R	Replacement Key
39	56459367	1	Boot, Reset Button
40	56459368	1	Boot, Reset Button
41	56469858	3	Standoff, Insulated
42	56478246	8	Tie, Cable
43	56478605	1	Knob
44	56478660	1	Block
45	56412299	1	Cable Suppression Core
**	N/A	1	Charger, 24VDC, Auto, 40 Amp, 230VAC
**	N/A	1	Charger, 24VDC, Auto, 40 Amp, 120VAC
**	56409441	1	Programmer, 1307 User
**	56409823	1	Programmer Cable

\* = Not Shown

\*\* = Optional

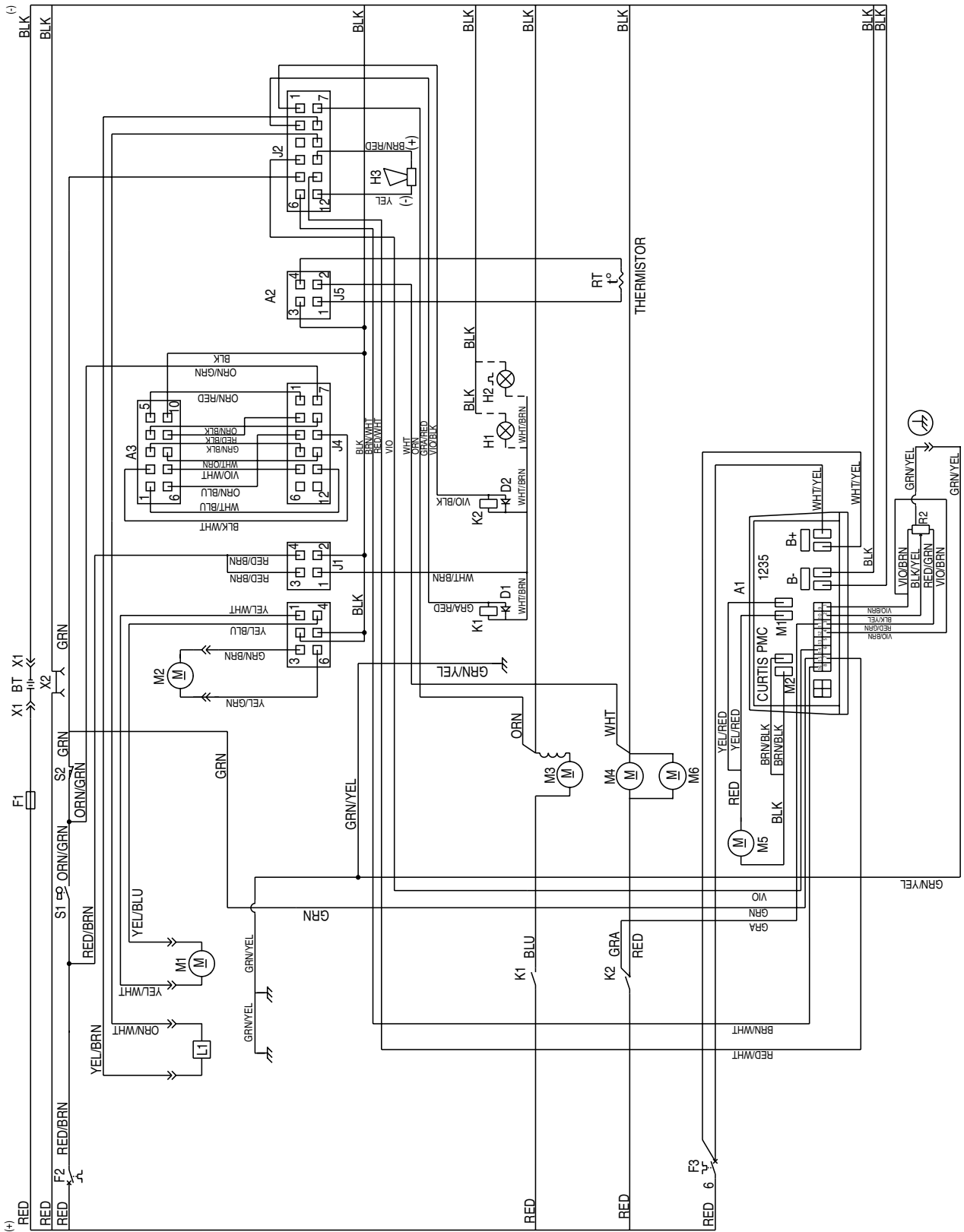




99-6	<b>OPTIONAL KITS</b>	<b>BOOK E</b>		
04-2	<b>Hydro-Retriever™ 2800, 2800C / BR 700, 700C, 700C-XL</b>	<b>E</b>	<b>6.9.1</b>	<b>31</b>

Item	Ref. No.	Qty	Description
	56412223	1	Vacuum Wand Caddy Kit
*	56040686	1	Instruction Sheet
1	56002124	2	Scr, Pan Phil 10-24 x .62
2	56412310	2	Spacer, Stepped
3	56205114	1	Squeegee Tool, 14"
4	56301339	1	Coupler
5	56329062	1	Vac Hose, 1.50
6	56402940	2	Bumper
7	56409563	1	Wand, 2 Piece
8	56412227	1	Caddy Weldment
9	56204536	1	Extension Coupler
10	56314399	1	Coupler
	56412224	1	Beacon Kit
*	56040687	1	Instruction Sheet
1	56001993	2	Scr, Pan Phil 10-24 x .50
2	56002768	2	Nut, Hex Nyl Loc 10-24
3	56412253	1	Weldment, Beacon
4	56416433	1	Strobe
*	56416435	1	Lens, Amber <b>(for 56416433)</b>
*	56416436	1	Flash Tube <b>(for 56416433)</b>
	56412222	1	Headlight Kit
*	56040688	1	Instruction Sheet
1	56002507	4	Scr, Pan Phil 1/4-20 x .75
2	56409557	1	Guard, Headlight
3	56412185	1	Headlight, 24V
*	56172230	2	Term, .25 Ins tab

\* = Not Shown



99-6	<b>WIRING DIAGRAM</b>	<b>BOOK E</b>		
02-2	<b>Hydro-Retriever™ 2800, 2800C / BR 700, 700C, 700C-XL</b>	<b>E</b>	<b>6.9.1</b>	<b>33</b>

Item	Ref. No.	Qty	Description
A1	56412053	1	Controller, 24V
A2	56412050	1	Control Box Assembly
A3	56412081	1	Display PCB Assembly
BT	N/A		Battery
D1	56389265	1	Diode
D2	56389265	1	Diode
F1	56412089	1	Fuse, 150 Amp
F2	56387316	1	Circuit Breaker, 10 Amp
F3	56407343	1	Circuit Breaker, 45 Amp
H1	56412185	1	Headlight (optional)
H2	56416433	1	Strobe Light (optional)
*	56416435	1	Lens, Amber ( <b>for 56416433</b> )
*	56416436	1	Flash Tube ( <b>for 56416433</b> )
H3	56412177	1	Horn / Backup Alarm
K1	56412179	1	Contact, Vac Motor
K2	56412179	1	Contact, Brush Motor
L1	56412076	1	Solenoid Valve
M1	56393303	1	Lift Actuator, Brush
M2	56412072	1	Lift Actuator, Squeegee
M3	56412218	1	Motor, Vac 24VDC
*	56397098	1	Carbon Brush Set (for 56412218)
M4	56412214	1	Motor, Brush ( <b>HR 2800 / BR 700</b> )
	56412178	1	Motor, Brush ( <b>HR 2800C / BR 700C</b> )
M5	56412168	1	Motor, Drive Wheel
M6	56412178	1	Motor, Brush ( <b>HR 2800C / BR 700C</b> )
R1		1	Thermistor
R2	56454740	1	Potentiometer, 5K
S1	56420113	1	Switch, Key
S2	56409613	1	Switch, Seat
X1		1	Battery Disconnect
X2		1	Charger Connector

\* = Not Shown

\*\* = Optional

We manufacture brushes and pad holders that will give you the best possible performance between machine and floor. Following are descriptions of the materials and their applications.

- Union Mix:** Medium grade natural fibers for polishing finished floors with standard-speed equipment. Recommended for use in place of white pads.
- ProLite:** Bristles are made from light-duty polypropylene for general scrubbing when you do not want to scratch or remove finish from the floor. Recommended for use in place of red pads.
- Prolene:** Polypropylene material for medium-duty scrubbing on concrete, terrazzo and vinyl floor tile. Recommended for use in place of green or blue pads.
- Magna Grit 46:** For extreme heavy-duty scrubbing or stripping of floors. This brush has extra large diameter silicon carbide grit impregnated synthetic bristles. Recommended for use in place of black pads.
- Dyna Grit 80:** For aggressive, heavy-duty scrubbing or stripping of floors. Recommended for use in place of brown pads.
- MidLite Grit 180:** For general purpose scrubbing of sealed or unsealed concrete, stone, terrazzo, quarry tile and other resilient hard floor surfaces. Recommended for use in place of green or blue pads.
- MidGrit 240:** For general purpose scrubbing when you need a lighter action for sealed or unsealed concrete, stone, terrazzo, quarry tile and other resilient hard floor surfaces. Recommended for use in place of green or blue pads.
- AgLite Grit 500:** For light scrubbing when used wet; buffing or polishing when used dry on urethane coated, sealed concrete or other resilient hard surface floors. Recommended for use in place of red or white pads.
- Short Trim Pad Holder:** Made with a structural foam block and center ring for correct pad centering. It has a "shower feed" design for getting solution to the floor.

- Ref. No.:** 56505770 - Short Trim Pad Holder  
 56505771 - Magna Grit 46  
 56505772 - Dyna Grit 80  
 56505773 - AgLite Grit 500  
 56505774 - Prolene  
 56505775 - ProLite  
 56505776 - Union Mix  
 56505777 - MidGrit 240  
 56505778 - MidLite Grit 180



99-6	<b>BRUSH SELECTOR GUIDE (CYLINDRICAL)</b>	<b>BOOK E</b>		
02-2	<b>Hydro-Retriever™ 2800, 2800C / BR 700, 700C, 700C-XL</b>	<b>E</b>	<b>6.9.1</b>	<b>35</b>

We manufacture brushes and pad holders that will give you the best possible performance between machine and floor. Following are descriptions of the materials and their applications.

- 46 Grit Brush: Most aggressive grit brush. Used primarily to clean heavy buildup on concrete floors in factories, or for heavy stripping of finish.
- 80 Grit Brush: Medium aggressive grit brush. Good all-around brush for medium to heavy buildup removal. Can also be used for general stripping operations.
- 180 Grit Brush: Least aggressive grit brush. Used for daily cleaning of hard-finished floors.
- Polypropylene Brush: Standard equipment brush. Low cost, yet effective in cleaning many common floor surfaces.
- Stiff Nylon Brush: Cleaning action similar to polypropylene. More durable and wear-resistant than polypropylene.
- Soft Nylon Brush: Least aggressive brush available. Used on soft-finish floors where a more aggressive brush would leave scratch marks, or in applications requiring very light cleaning.

- Ref. No.: 28" BRUSHES**  
56412046 - Polypropylene  
56412191 - Soft Nylon  
56412192 - Hard Nylon  
56412193 - 180 Grit  
56412194 - 80 Grit  
56412195 - 46 Grit



- Ref. No.: 32" BRUSHES**  
56407473 - Soft Nylon  
56407474 - Hard Nylon  
56407475 - Polypropylene  
56407476 - 180 Grit  
56407477 - 80 Grit  
56407478 - 46 Grit





**DANMARK**

Nilfisk-Advance Nordic A/S  
Sognevej 25 - Box 344  
DK-2605 Broendby  
☎ 43 23 83 50 – Fax 43 42 15 95

**NORGE**

Nilfisk-Advance AS  
Enebakavn, 119, 0680 Oslo, Postboks 196, Manglerud,  
0612 Oslo  
☎ 22 08 63 50 – Fax 22 08 63 63  
Distriktsrepresentanter over hele landet

**SVERIGE**

Nilfisk-Advance AB  
Sjöbjörnsvägen 5, 117 67 Stockholm  
☎ 085 55 944 00 – Fax 085 55 944 30

**FINLAND/ SUOMI**

BERNER Ltd. Facotek Department  
Etäleranta 4B, 00130 Helsinki  
☎ +358 9 1345 1382

**AUSTRALIA**

Nilfisk-Advance Pty. Ltd.  
48 Egerton Street  
Silverwater NSW 2128  
☎ (02) 8748 5905 – Fax (02) 9648 2711  
Customer Responce Centre:  
☎ 1 800 011 013

**BELGIQUE / BELGIË/ LUXEMBOURG**

Nilfisk-Advance s.a./n.v.  
Doornveld/ Sphere Business Park  
Industrie Asse 3, nr 11 – bus 41  
1731 Zellik-Asse  
☎ (02) 467.60.50 Fax (02) 463.44.16

**CANADA**

Nilfisk-Advance Ltd.  
396 Watline Avenue  
Mississauga, Ontario L4Z 1X  
☎ (905) 712-3260 – Fax (905) 712-3255

**DEUTSCHLAND**

Nilfisk-Advance AG  
Siemensstraße 25-27  
25462 Rellingen  
☎ (041 01) 3990 – Fax ( 04101) 399191  
Zentraler Kundenservice  
☎ für die Industrie: 0180 535 67 97  
☎ Institutionen und Gebäudereiniger: 0180 500 11 70

**FRANCE**

Nilfisk-Advance S.A.  
BP 246  
91944 Courtaboeuf Cedex  
☎ (01) 69.59.87.00 Télécopie (01) 69.59.87.01

**HONG KONG**

Nilfisk-Advance Ltd.  
2001, 20/F HK Worsted Mills  
Industrial Building  
31-39 Wo Tong Tsui Street  
Kwai Chung, N.T.  
☎ 2427 59 51 – Fax 2487 5828

**IRELAND**

Nilfisk-Advance Ltd.  
28 Sandyford Office Park  
Dublin 18  
☎ +353 1 2943838 – Fax +353 1 2943845

**JAPAN**

Nilfisk-Advance Inc.  
3-4-9 Chigasaki Minami  
Tsuzuki-Ku Yokohama 224 0037  
☎ 045-942-7741 – Fax 045-942-6545

**MALAYSIA**

Nilfisk-Advance Sdn Bhd  
Lot 2, 1<sup>st</sup>. Floor  
Lorong 19/1A  
46300 Petaling Jaya  
Selangor Darul Ehsan  
☎ 03-7568188/03-7568189/03-7568388 – Fax 03-7566828

**NEDERLAND**

Nilfisk-Advance B.V.  
Flevolaan 7, Postbus 341  
1380 AH Weesp  
☎ 0294-462121 – Fax 0294-430053

**NEW ZEALAND**

Nilfisk-Advance Limited  
477 Great South Road, Penrose  
Auckland  
☎ (09) 525 0092 – Fax (09) 525 6440

**SCHWEIZ / SUISSE**

Nilfisk-Advance AG  
Ringstrasse 19, 9533 Kirchberg/Wil  
☎ 719 23 52 83 – Fax 719 23 84 44

**SINGAPORE**

Nilisk-Advance Pte. Ltd.  
22, Woodlands Industrial Park E1  
Singapore 757740  
☎ (65) 759 9100 – Fax (65) 759 9133

**TAIWAN**

Nilfisk-Advance Ltd.  
1 F, No.23, Lane 132, Sec. 2  
Ta An Road, Taipei  
☎ 700 22 68 – Fax 784 08 43

**UNITED KINGDOM**

Nilfisk-Advance Limited  
Newmarket Road  
Bury St. Edmunds  
Suffolk IP 33 3SR  
☎ (01284) 763163 – Fax (01284) 750562

**USA**

Nilfisk-Advance Inc.  
14600 21<sup>st</sup> Avenue North  
Plymouth, MN 55447-3408  
☎ +1 800 989 2235 – Fax 1 800 989 6566

Nilfisk-Advance of America, Inc.  
300 Technology Drive  
Malvern, PA 19355  
☎ (610) 647 647-6427

**ÖSTERREICH**

Nilfisk-Advance GmbH  
Vorarberg Allee 46  
1230 Wien  
☎ 1 616 58 30 – Fax 1 616 58 30 40

**ESPAÑA**

Nilfisk-Advance, S.A.  
Torre D'Ar  
Passeig del Rengle, 5 Pl.9-10  
E-08302 – Mataró (Barcelona)  
☎ Tel. 93 741 24 00 – Fax: 93 757 80 20  
Central atención al cliente: 902 200 201  
[nilfisk@nilfisk-advance.es](mailto:nilfisk@nilfisk-advance.es) – [www.nilfisk-advance.com](http://www.nilfisk-advance.com)  
Distribuidores y Servicio Técnico en toda España y Andorra

**ITALIA**

Nilfisk-Advance Italia Spa  
Località Novella Terza  
26862 Guardamiglio (LO)  
Italy  
☎ +39 0377 414067-54 – Fax +39 0377 414097  
[www.nilfisk-advance.com](http://www.nilfisk-advance.com)

**PORTUGAL**

Nilfisk-Advance Lda.  
Rua Cândido de Figueiredo, 91-i, 1500-133 LISBOA  
☎ 01/7784142 – Fax 01/7785613  
Porto 02/526766 – Fax 02/520739  
Açores 096/628092/3 – Fax 096/628129  
Madeira 091/228965 – Fax 091/228796

**GREECE**

Embiom S.A.  
Λεωφ. Βουλιαγμένης 60  
Αργυρούπολη  
164 52 Αθήνα  
☎ 9950613 - Fax 9951680

