

Serial Number : i18C-000107; 000124~000223; Except 000191.



www.icecompanies.com

OPERATOR & Parts Manual

Automatic Scrubber



I18B
I18C

The
Peoples
COMPANY

8019009
REV.03(06-2014)

INTERNATIONAL CLEANING EQUIPMENT



READ OPERATOR MANUAL MANUALLY CAREFULLY

IMPORTANT: To ensure full warranty protection, Please fill out & return your warranty card.

Please fill out at time of installation for future reference.

Model No. _____

Serial No. _____

Machine Options _____

Sales Rep. _____

Sales Rep. phone no. _____

Customer ID Number _____

Installation Date _____

HOW TO ORDER PARTS

Only use ICE Company supplied or equivalent parts. Parts and supplies may be ordered online, by phone, by fax or by mail.

1. Identify the machine model.
2. Identify the machine serial number from the data label.
3. Ensure the proper serial number is used from the parts list.
4. Identify the part number and quantity.

Do not order by page or reference numbers.

5. Provide your name, company name, customer ID number, billing and shipping address, phone number and purchase order number.



PROTECT THE ENVIRONMENT

Please dispose of packaging materials, old machine components such as batteries, hazardous fluids, including antifreeze and oil, in an environmentally safe way according to local waste disposal regulations.

Always remember to recycle.



International Cleaning Equipment
XiangShi Road, LiaoBu, DongGuan, GuangDong, China
Tel: 0769-8186 9000
Fax: 0769-8186 3000

Specifications and parts are subject to change without notice.

TABLE OF CONTENTS / 目录

| | |
|--|----|
| SAFETY PRECAUTIONS | 4 |
| MACHINE COMPONENTS | 6 |
| MACHINE SETUP & INSTALLATION | 7 |
| MACHINE OPERATION | 8 |
| WHILE OPERATING MACHINE | 8 |
| TANK DRAINING. | 8 |
| PREVENTATIVE MAINTENANCE. | 10 |
| BASIC TROUBLESHOOTING | 12 |
| TECHNICAL SPECIFICATION | 13 |
| PARTS LIST | 14 |
| WEAR & TEAR PARTS LIST | 31 |
| WIRING DIAGRAM | 32 |

SAFETY PRECAUTIONS

FOR I18B

This machine is intended for commercial use. It is designed exclusively to scrub hard floors in an indoor environment and is not constructed for any other use. Only use recommended accessories.

All operators should read, understand and exercise the following safety precautions:

1. Do not operate machine:

- Unless trained and authorized.
- Unless you have read and understood the operator's manual.
- In flammable or explosive areas.
- If not in proper operating condition.
- In outdoor areas and standing water.

2. Before operating machine:

- Make sure all safety devices are in place and operating properly.

3. When using machine:

- Go slow on inclines and slippery surfaces.
- Follow all safety guidelines.
- Report and fix any damage to machine prior to operating it.
- Never allow children to play on or around the machine.
- Do not operate on inclines that exceed 2%(3°).

4. Before leaving or servicing machine:

- Stop on level surface.
- Turn off machine.

5. When servicing machine:

- Read operator's manual thoroughly prior to operating or servicing this machine.
- Use manufacturer supplied or approved

- replacement parts.
- Secure machine with wheel blocks prior to jacking the machine up.
- Use approved jack or hoist to safely elevate the machine.
- Disconnect batteries prior to working on machine.
- Wear gloves when handling batteries or battery cables.
- Avoid any contact with battery acid.
- Avoid moving parts. Do not wear loose fitting clothing while servicing machine.



Batteries may emit hydrogen gas. Explosion or fire can result from hydrogen gas. Keep sparks and open flames away! Keep battery compartment open when charging(except maintenance-free batteries).



Flammable materials can cause an explosion or fire. Do not use flammable materials in tanks.



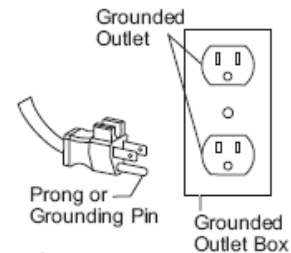
Flammable materials or reactive materials can cause explosion or fire. Do not pick them up.

SAFETY PRECAUTIONS**FOR I18C**

**Carefully read and understand this manual before operating this machine.
This machine must be grounded!**

This scrubbing machine shall be grounded while in use to protect the operator from electric shock. Grounding provides a path of least resistance for electric current. This machine is equipped with a cord having an equipment-grounding conductor and grounding plug. The plug must be plugged into an appropriate outlet that is properly installed and grounded in accordance with all local codes and ordinances. Do not remove the ground pin under any circumstances.

This machine is for use on a nominal 110-volt circuit and has a grounding plug that resembles the plug illustrated in Figure. Make sure that the machine is connected to an outlet having the same configuration as the plug. No adapter should be used with this machine.



This machine is intended for commercial use. It is constructed for use in an indoor environment and is not intended for any other use. Use only recommended accessories.

1. Do not operate machine:
 - Unless trained and authorized.
 - In flammable or explosive areas.
 - With a damaged cord or plug
 - If not in proper operating condition.
 - Unless you have read and understood the operator's manual.
 - With the use of extension cords.
 - In outdoor areas and standing water.
2. Before operating machine:
 - Make sure all safety devices are in place and operating properly.
3. When using machine:
 - Do not run machine over cord.
 - Do not pull cord around sharp edges or corners.
 - Do not handle plug with wet hands.
 - Report machine damage or fault operation immediately.
 - Do not pull machine by cord or plug.
 - Do not unplug by pulling on the cord.
 - Do not stretch cord.
 - Keep cord away from heated surfaces.
4. Before leaving or servicing machine:
 - Turn off machine.
 - Unplug cord from outlet.
5. When servicing machine:
 - Unplug cord from outlet.
 - Use manufacturer supplied or approved replacement parts.



To avoid electrical shock, please replace the power cord immediately if any damage is being detected. The replacement must be performed only by an authorized person or by our customer service center.

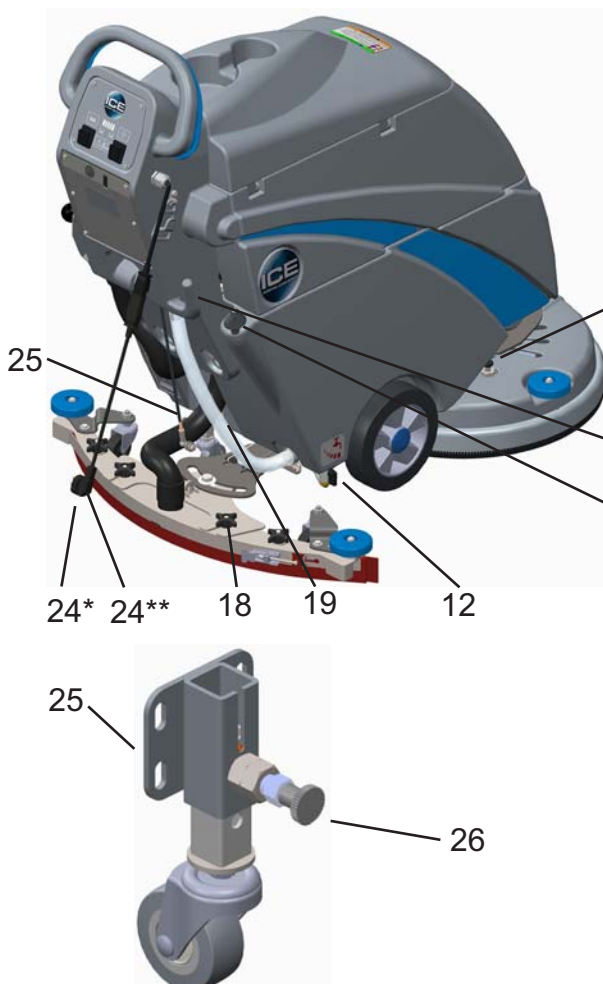
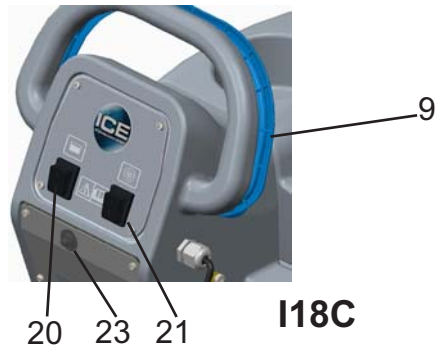
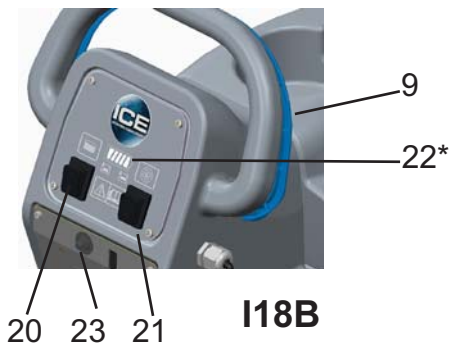


Flammable materials can cause explosion or fire. Do not use flammable materials in tanks or pick them up.

MACHINE COMPONENTS

Machine Structure

- | | | | | | | | | |
|----------------|------------------|----------------|----------------------|-----------------------------|--------------------------------|-----------------------------|-------------------------|-----------------------|
| 1. Brush cover | 4. Recovery tank | 7. Squeegee | 10. Adjusting handle | 13. Squeegee lifting handle | 16. Brush plunger | 19. Clear tube | 22*. Battery monitor | 24**. Power cord |
| 2. Brush | 5. Solution tank | 8. Control box | 11. Water filter | 14. Power cord hook | 17. Plug of water filling port | 20. Switch for brush motor | 23. Circuit breaker | 25. Adjustable wheel |
| 3. Cover tank | 6. 8" wheels | 9. Trigger | 12. Ball valve | 15. Brush/pad driving hub | 18. Knob | 21. Switch for vacuum motor | 24*. Charger power cord | 26. Adjusting plunger |



* : only for I18B ** : only for I18B

MACHINE SET UP & INSTALLATION

UNPACK MACHINE:

Be sure and check packing carton for any damage. Immediately report any damage to carrier. Be careful not to let machine vibrate while carrying, Check contents of package to ensure that the following items are included: Machine, squeegee assembly, brush/pad driver, charger cord.

MACHINE SET UP & PRE-OPERATION CHECKS:

- 1) Sweep the outside of the machine.
- 2) Check battery meter to make sure batteries are fully charged (see battery charging, only for I18B).
- 3) Check that squeegee and brush / pad is properly installed.
- 4) The forward speed of machine can be controlled by turning the handle(10). Turn the handle clockwise to speed up machine. or turn the handle anticlockwise to slow down machine.
- 5) Make sure the working surface can support the machine weight, the gradient of the floor can't exceed the limit that machine allowed(2%).

INSTALLING PAD DRIVER OR BRUSH:

- 1) Turn off machine.
- 2) Tilt the machine backwards, line up the driving hub with the hole of brush or pad driver, make sure the three blocks are fitted into the three slots of the drive hub.
*If a pad driver is being used, the appropriate pad should be attached to the pad driver first.
- 3) Push the plunger which on the brush cover to prevent the driving hub from rotating, then spin the brush/pad clockwise with your another hand till the clip clamp the block on the brush/pad.

NOTE: There are 2 positions for the adjustable wheel (pull out the plunger (26) for adjusting).
Position 1: machine can be tilted backwards and the brush / pad driver can be installed.
Position 2: for normal operation and transportation.

INSTALLING THE SQUEEGEE:

- 1) Loosen the two knobs(18) on the squeegee and slide the squeegee into the slots at the rear of the squeegee bracket. (the wheels on the squeegee point to the machine.)
- 2) Tighten the knobs securely.

FILLING THE SOLUTION TANK:

- 1) The fill port is located at the rear of machine, pull the plug out of the hole.
- 2) Fill solution tank with water. (use a hose which link to a water faucet, water temperature should not exceed 50° C) The clear tube(19) in the back right of the machine has gallon markers to help determine the water level in the solution tank(5).
*Depending on the dirty level of the ground, add the proper amount of detergent into the solution tank.



Do not put any flammable materials into solution tank. This can cause an explosion or a fire. Only use recommended cleaning chemicals. Contact your janitorial supply distributor for recommendations on proper chemicals.

MACHINE OPERATION



Do not operate machine unless you have read and understand this manual.

- 1) Lower squeegee assembly to the floor by spin the squeegee lifting handle(13).
- 2) Turn brush motor switch(20) to “on” position.
- 3) Turn vacuum motor switch(21) to “on” position.
- 4) Rotate the ball valve(12) handle to vertical position. Solution will not begin to flow until the operating triggers (9) are pulled.
- 5) To begin scrubbing, pull on the blue operating trigger(9), when this triggers is pulled, the pad driver will begin to spin and the solution will begin to flow.
- 6) Begin scrubbing by moving the machine forward



Do not keep the machine in the same position with the pad / brush spinning, or you might damage the floor.

- 7) Adjust solution flow by adjusting the position of ball valve knob.

WHILE OPERATING MACHINE

- 1) Occasionally open the cover tank(3) to see if there is any foam build-up. If excessive foam is found, add defoamer to the recovery tank.



Foam must not enter the float shut-off screen, or damage can occur to the vacuum motor. Foam will not activate the machine's float shut-off device.

- 2) Occasionally view the clear tube at the back left of the machine to check the amount of cleaning solution that is left in the machine.

If the squeegee assembly leaves streaks on the floor, raise the squeegee off the floor and wipe the blades down with a damp cloth.



Do not use your fingers to wipe or remove debris from the blades, as injury may occur.

When the solution tank runs empty, turn off the brush switch and ball valve of solution tank. Keep the squeegee down and continue to vacuum until all the dirty water is picked up.

TANK DRAINING

- 1) Turn the switches on the control panel to “off ” position.
- 2) Raise the squeegee, transport machine to approved area for draining tank(s).



Any time scrubbing is completed, or when refilling solution tank, the recovery tank should be drained and cleaned.



If the recovery tank is not drained when the solution tank has been refilled, foam or water may enter the float shut-off mechanism and cause damage to the vacuum motor.

DRAINING THE RECOVERY (DIRTY) TANK

- 1) Remove the drain hose from the holder, and place the drain hose over the floor drain. Twist off the drain hose plug to begin the draining process.
- 2) Clean the recovery tank after every use. Use a fresh water hose to rinse out the recovery tank. Be careful not to spray water into the float shut-off mechanism.



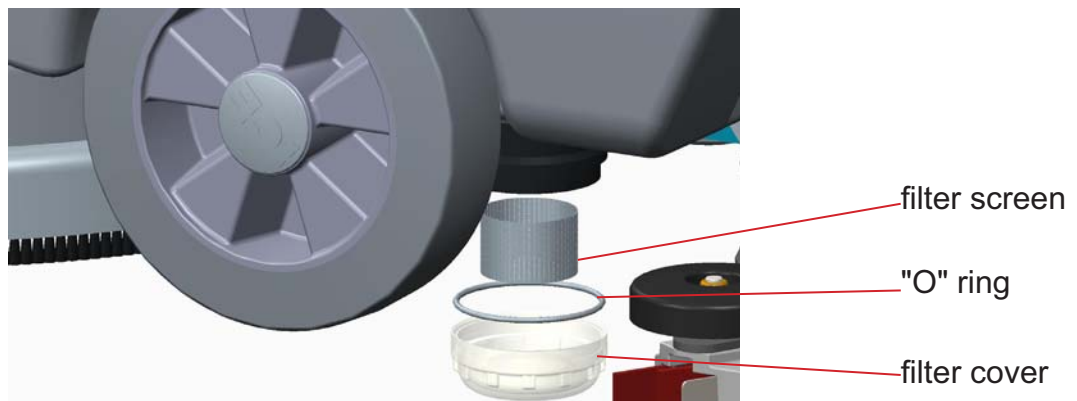
If you are storing the machine for any period of time, keep the cover tank open so the tank can dry completely and smell fresh.

DRAINING THE SOLUTION (CLEAN) TANK



Any time scrubbing operation is completed, the solution tank should be drained and cleaned.

- 1) Pull down on the clear tube (back left of the machine) to remove it from the hose barb. This will allow the solution to flow freely into a bucket or floor drain.
- 2) Rinse the solution tank with clean water after every use. This will help prevent chemical buildup and clogging of the solution lines.
- 3) Once tank is rinsed, flushed and drained, reconnect the clear tube to the hose barb. Be sure the tube is pushed all the way up on the hose barb.
- 4) Screw off the cover of the water filter(11) to completely exhaust the tank and check the filter screen, clean it up if necessary.
- 5) Screw up the cover of the water filter(11), but sure to install the screen and the "O" ring in the correct position.



BATTERY CHARGING (ONLY FOR I18B)

Each machine was equipped with on-board charger and batteries, please use original parts only.

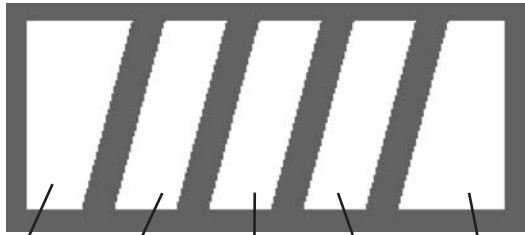


WARNING: Fire or explosion hazard. Batteries may emit hydrogen gas. Keep sparks and open flame away. Keep battery compartment open when charging.

NOTE: Use only approved chargers with the following specifications:

- Automatic shut off circuit.
- Deep cycle charging.
- Output current of 8-15 Amps.
- Output voltage of 24 volts.

Battery Indicator Description:



Red Yellow 2 Yellow 1 Green 2 Green 1

Green lights on: full power.
 Yellow lights on, green lights off : medium power.
 Red light on, other lights off: 20% power, the machine should be stopped and the batteries should be recharged.
 Red light flash: the batteries have already been discharged deeply.

NOTE: Frequently deep discharging will reduce the life of the batteries, charge the batteries when the red light is on.

- 1) Place the machine in a well ventilated area.
- 2) Turn the machine off.
- 3) If charging wet (lead acid) batteries, check the fluid level before charging.
- 4) Connect the charger's AC power supply cord to a properly grounded receptacle.
- 5) The charger will automatically begin to charge and will automatically shut off once the batteries are fully charged.
- 6) Upon completion of charging, disconnect the AC power supply cord.

NOTE: The charging status can be seen through the lights behind the transparent panel:
 Yellow light on: Normal charging
 Green light flash: 80% charged
 Green light on: Fully charged, batteries ready for use.
 Yellow lights flash: No batteries or incorrect wiring.

PREVENTATIVE MAINTENANCE



WARNING: Before performing any maintenance on the machine, be sure that the power is turned off, or the batteries are disconnected!



WARNING: Repairs are to be completed by authorized service centers only. Any repairs completed by unauthorized persons will void the warranty.

DAILY MAINTENANCE

- 1) Remove pad driver / brush and clean with approved cleaner.
- 2) Drain recovery and solution tanks completely and rinse out with clean water. Visually check the recovery tank for debris and clean out as necessary.
- 3) Raise squeegee assembly off floor and wipe it down with a damp towel. Be sure to store the squeegee in the up position.
- 4) Remove the float shut-off assembly and rinse it out with clean water.
- 5) Clean machine with an approved cleaner and a damp towel. Don't spray water to clean the outside of machine to avoid damage to motor and wiring.
- 6) Unplug vacuum motor from power source and hose cuff & remove the drain hose from the holder prior to removing the recovery tank when performing maintenance.
- 7) Check the condition of the squeegee blade wiping edge, rotate blade or replace it if worn.

MONTHLY MAINTENANCE

- 1) Clean the battery tops to prevent corrosion (only for I18B).
- 2) Check for loose battery cable connections (only for I18B).
- 3) Inspect and clean the recovery tank cover seal. Replace it if damaged.
- 4) Lubricate all grease points and pivot points with silicon spray and approved grease.
- 5) Check the machine for loose nuts and bolts.
- 6) Check the machine for leaks.

MOTOR MAINTENANCE

- 1) Contact your local ICE Distributor for any motor maintenance.
- 2) Check the motor brushes every 250 hours, Replace the brushes when they are worn to a length of 10mm or less.

BATTERY MAINTENANCE (ONLY FOR I18B)



WARNING: Batteries may emit hydrogen gas and an explosion or fire can result. Keep sparks and fire away from batteries at all times.



WARNING: Whenever servicing batteries, be sure to wear protective gloves. Avoid contact with battery acid at all times.

Note: For the best machine performance, keep batteries charged at all times. Do not let them sit in a discharged condition.

- 1) Always follow the battery charging direction as outlined in the BATTERY CHARGING section of this manual.
- 2) Keep battery tops and terminals free from corrosion. A strong solution of baking soda and water is the best way to keep the batteries corrosion free. **DO NOT ALLOW THE BAKING SODA / WATER SOLUTION TO ENTER THE BATTERY CELLS.**
- 3) Use a wire brush with the baking soda solution to properly clean the battery posts and connections.
- 4) Check battery connections for wear and loose terminals. Replace them if necessary.

MACHINE STORAGE

- 1) Always store the machine indoors and in its upright position.
- 2) Always store the machine in a dry area.
- 3) Always take off the pad driver / brush before storage.
- 4) Always store the machine with the squeegee assembly raised off the floor.
- 5) If storing in an area which may reach freezing temperatures, be sure to drain all fluids from the machine prior to storage(include the filter). Any damage caused by freezing temperatures will not be covered by the warranty.
- 6) Drain the recovery tank and keep the cover tank open so that it can "breathe" during storage.
- 7) Drain the solution tank of all fluid.

BASIC TROUBLESHOOTING

| PROBLEM | CAUSE | SOLUTION |
|----------------------------|--|---|
| No Power | The wiring not connected correctly or bad wiring | Check the wiring or contact ICE Distributor |
| | Bad brush motor | Contact ICE Distributor |
| | Carbon brushes worn out | Contact ICE Distributor |
| Vacuum motor does not run | The wiring not connected correctly or bad wiring | Check the wiring or contact ICE Distributor |
| | Bad vacuum motor | Contact ICE Distributor |
| | Carbon brushes worn out | Contact ICE Distributor |
| Little or no solution flow | Bad ball valve | Contact ICE Distributor |
| | Bad solution valve | Contact ICE Distributor |
| | Ball valve position in need of adjustment | When ball valve is in horizontal position, the amount of solution flow is maximum. |
| Poor water pick up | Squeegee clogged | Clean debris off squeegee with a damp towel |
| | Squeegee blades worn | Install new squeegee blades |
| | Squeegee not mounted correctly | Confirm that the squeegee assembly is securely fastened to the machine and not loose fitting. |
| | Vacuum hoses have a hole or are loose | Check hose connections and make sure they are firm. Replace hose if damaged. |
| | Vacuum hose may be clogged | Check hose for debris and remove any clog. |
| | Drain hose stopper is loose | Tighten drain plug. |
| | Vacuum motor is loose | Tighten vac motor mounting screws. Do not over tighten or damage will occur. |
| | cover tank is loose | Confirm the cover tank is securely in its place. |
| | Recovery tank is full | Drain recovery tank |
| | Float shut off is clogged | Remove float shut off from inside recovery tank and remove any debris |
| short runtime* | Low battery charge | Fully recharge batteries |
| | Defective batteries | Replace batteries |
| | Batteries need maintenance | See BATTERY MAINTENANCE |
| | Faulty battery charger | Repair or replace battery charger |

* ONLY FOR I18B

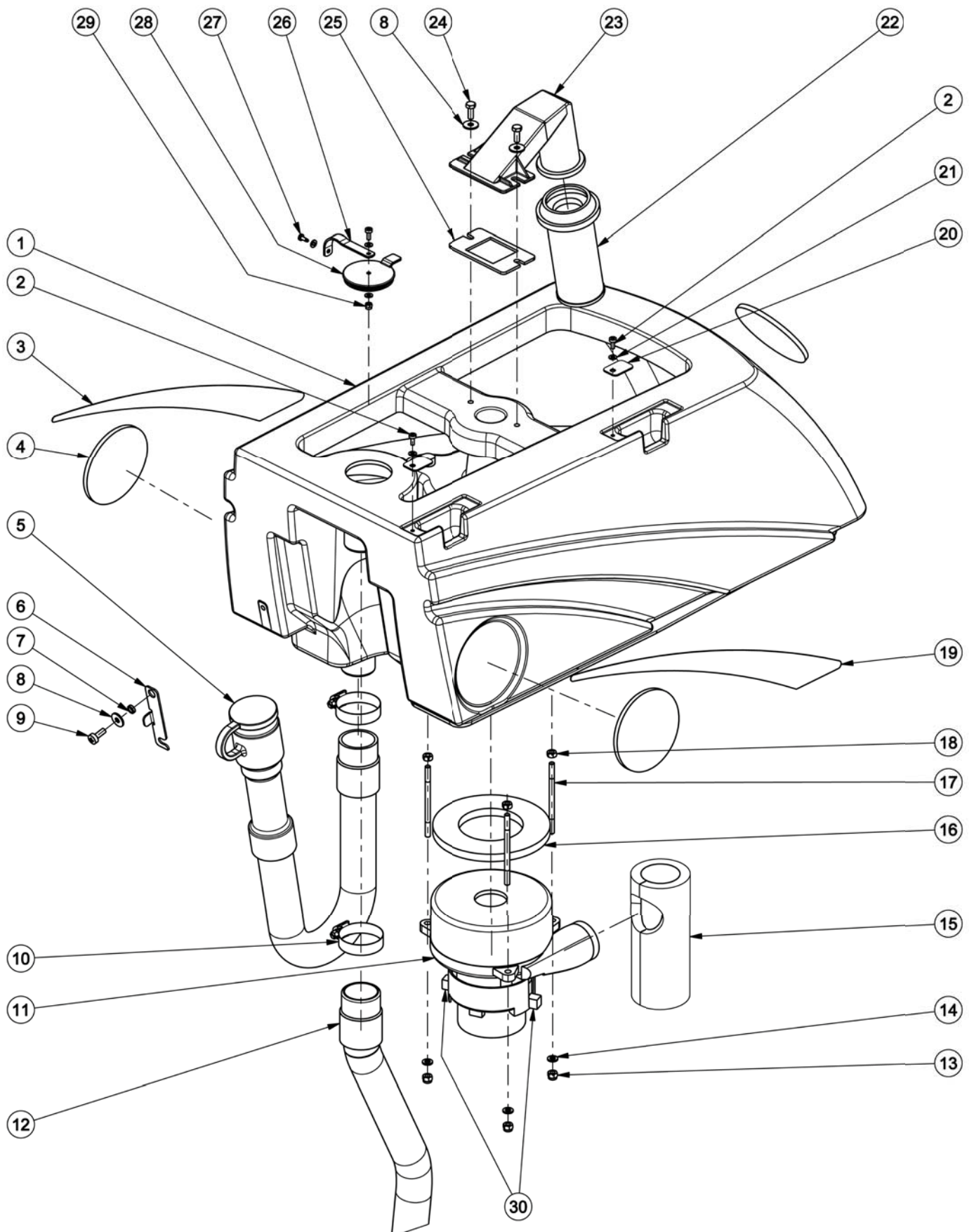
TECHNICAL SPECIFICATION

| ITEM | UNITS | DATA |
|------------------------------------|-------------------|-----------------|
| Working Width | mm | 450 |
| Squeegee Width | mm | 780 |
| Efficiency | m ² /h | 1100 |
| Brush Dia. | mm | 450 |
| Brush Speed | rpm | 180 |
| Max Pad Pressure | Kg | 30 |
| Brush Motor | V / W | I18B: 24 / 550 |
| | | I18C: 110 / 550 |
| Vacuum Motor | V / W | I18B: 24 / 500 |
| | | I18C: 110 / 500 |
| Batteries * | V / AH@20hr | 2-12 / 85 |
| Solution Tank Capacity | L | 35 |
| Recovery Tank Capacity | L | 40 |
| Machine Weight (without batteries) | Kg | 62.5 |
| Batteries Weight * | Kg | 2 × 25 |
| Machine Length | mm | 1165 |
| Machine Height | mm | 1025 |
| Machine Width | mm | 520 |
| Cable Length ** | m | 25 |
| Charger cord * | m | 2 |
| Max Gradient | % | 2 |
| Type of Drive | - | Brush assisted |
| Noise Level | dB | 70 |
| Working Vacuum | mbar | 155 |

* ONLY FOR I18B

** ONLY FOR I18C

RECOVERY TANK ASSEMBLY

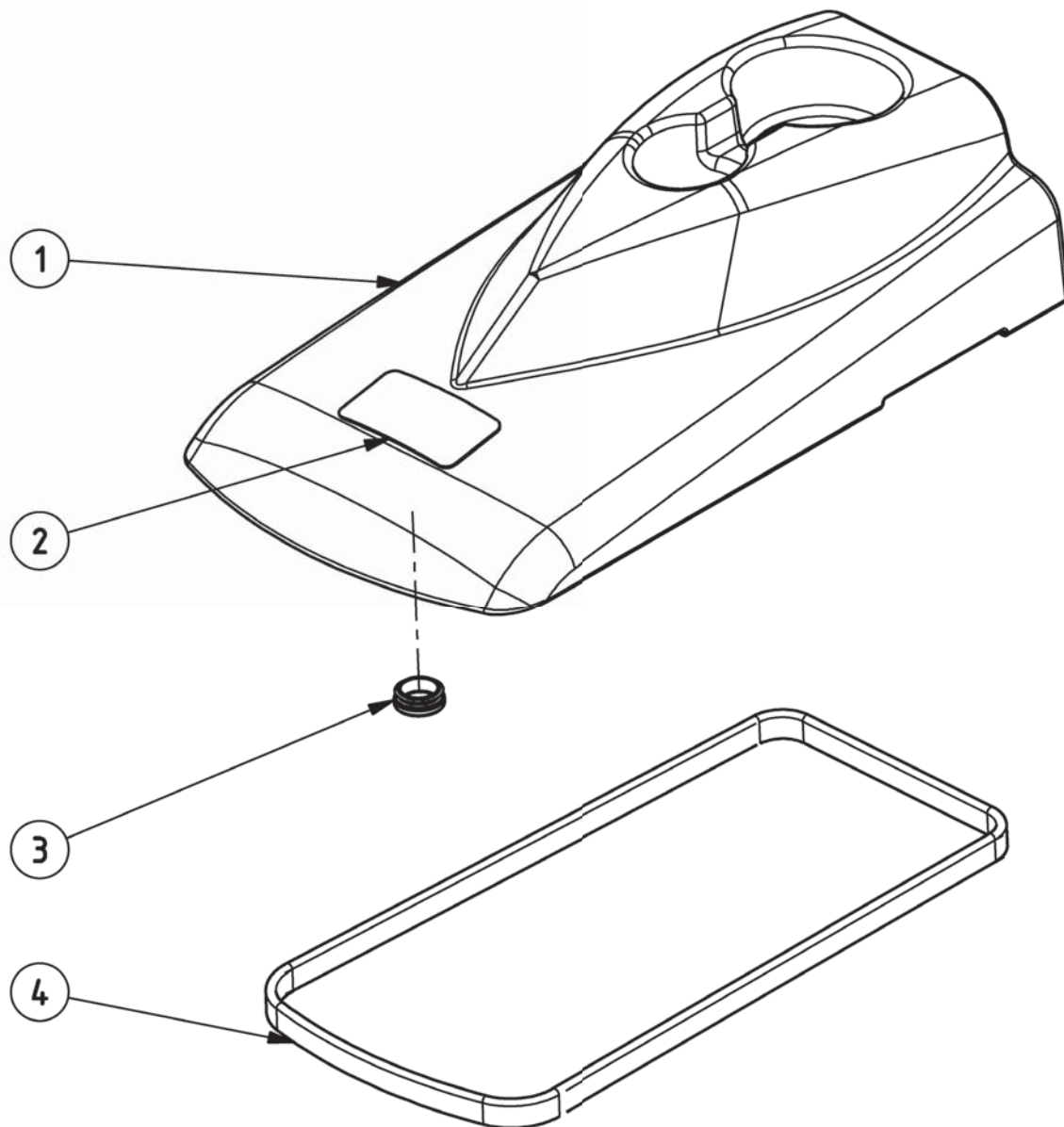


RECOVERY TANK ASSEMBLY

| DIA NO | PART NUMBER | DESCRIPTION | NO REQ'D |
|-----------|----------------|-----------------------------|-------------|
| 1 | 8011001 | RECOVERY TANK | 1 |
| 2 | 1221410 | PH SCREW M4×10,SS | 3 |
| 3 | 8011011 | DECAL,LEFT | 1 |
| 4 | 4010316 | ICE LOGO | 3 |
| 5 | 8011030 | DRAIN HOSE | 1 |
| 6 | 8012007 | CONNECTING PLATE | 1 |
| 7 | 8012008 | BUSHING | 1 |
| 8 | 1421618 | PLAIN WASHER 6×18×1.6 | 3 |
| 9 | 1221616 | PH SCREW M6×16, SS | 1 |
| 10 | 1962050 | HOSE CLAMP 27-51mm | 2 |
| 11 | 8112002* | VACUUM MOTOR 24V, 500W | 1 |
| | 8011023 | VACUUM MOTOR 110V, 500W | 1 |
| 12 | 8011003 | VACUUM HOSE | 1 |
| 13 | 1113608 | SELFLOCKING NUT M6 | 3 |
| 14 | 1411612 | PLAIN WASHER 6×12×1.6 | 3 |
| 15 | 8011007 | MUFFLER | 1 |
| 16 | 8112005 | GASKET | 1 |
| 17 | 8112006 | BOLT | 3 |
| 18 | 1111605 | HEX NUT M6 | 3 |
| 19 | 8011012 | DECAL,RIGHT | 1 |
| 20 | 8011009 | PLATE | 2 |
| 21 | 1421409 | PLAIN WASHER 4×9×0.8,SS | 5 |
| 22 | 8111015 | FLOAT CAGE | 1 |
| 23 | 8111014 | FLITER COUPLING | 1 |
| 24 | 1021616 | HEX HEAD BOLT M6×16 | 2 |
| 25 | 8111001 | GASKET | 1 |
| 26 | 8113007 | RUBBER STRIP | 1 |
| 27 | 1321110 | AUTO TAPPING SCREW ST3.5×10 | 1 |
| 28 | 8131003 | CAP | 1 |
| 29 | 1123406 | SELFLOCKING NUT M4, SS | 1 |
| 30 | 8112008* | CARBON BRUSH | 2 |
| | 8011022 | CARBON BRUSH | 2 |

* ONLY FOR I18B

COVER TANK ASSEMBLY

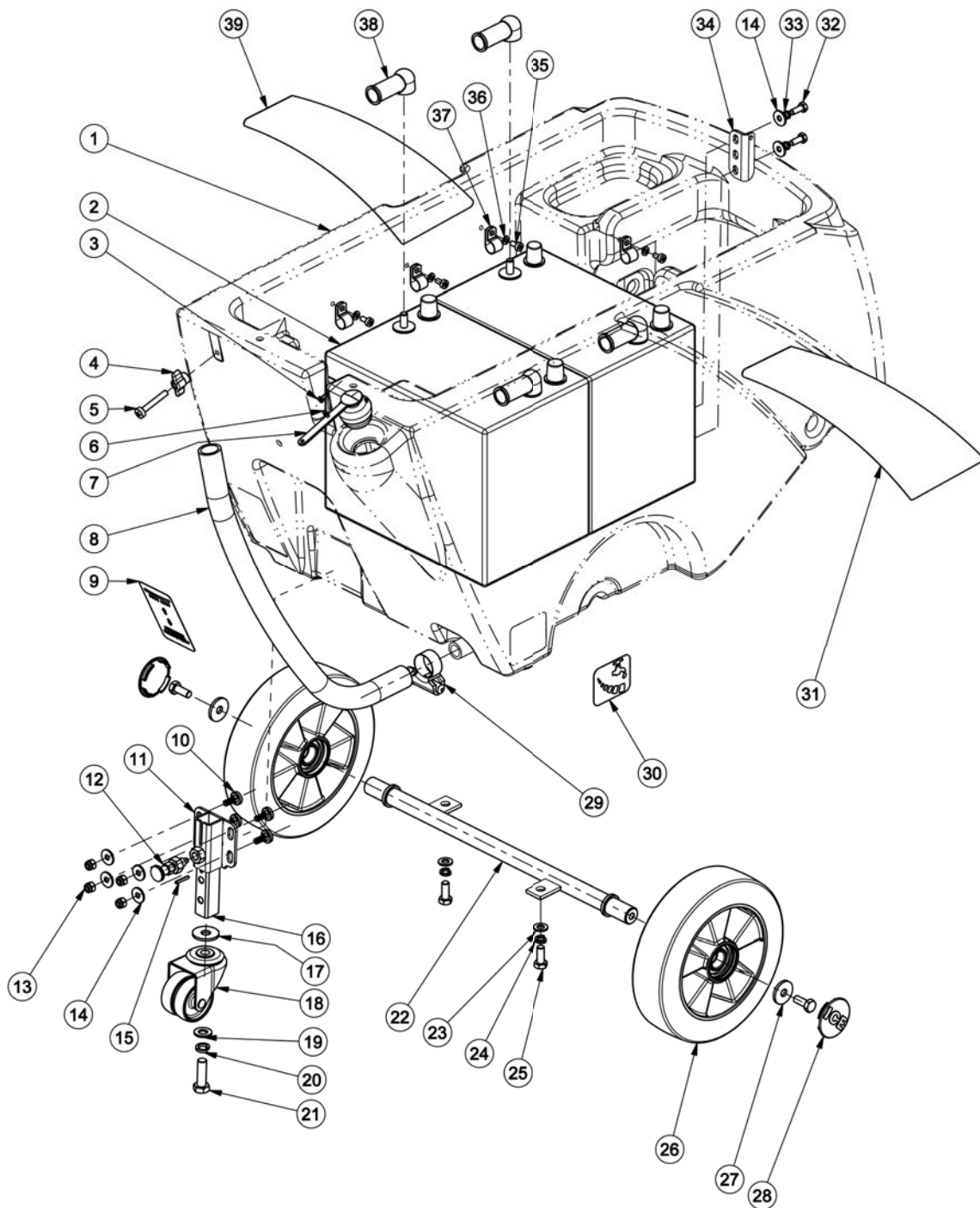


COVER TANK ASSEMBLY

| DIA NO | PART NUMBER | DESCRIPTION | NO REQ'D |
|--------|-------------|---------------|----------|
| 1 | 8012001 | COVER TANK | 1 |
| 2 | 8111022* | WARNING LABLE | 1 |
| | 8012003 | WARNING LABLE | 1 |
| 3 | 8011005 | CAP | 1 |
| 4 | 8012002 | GASKET | 1 |

* ONLY FOR I18B

SOLUTION TANK ASSEMBLY

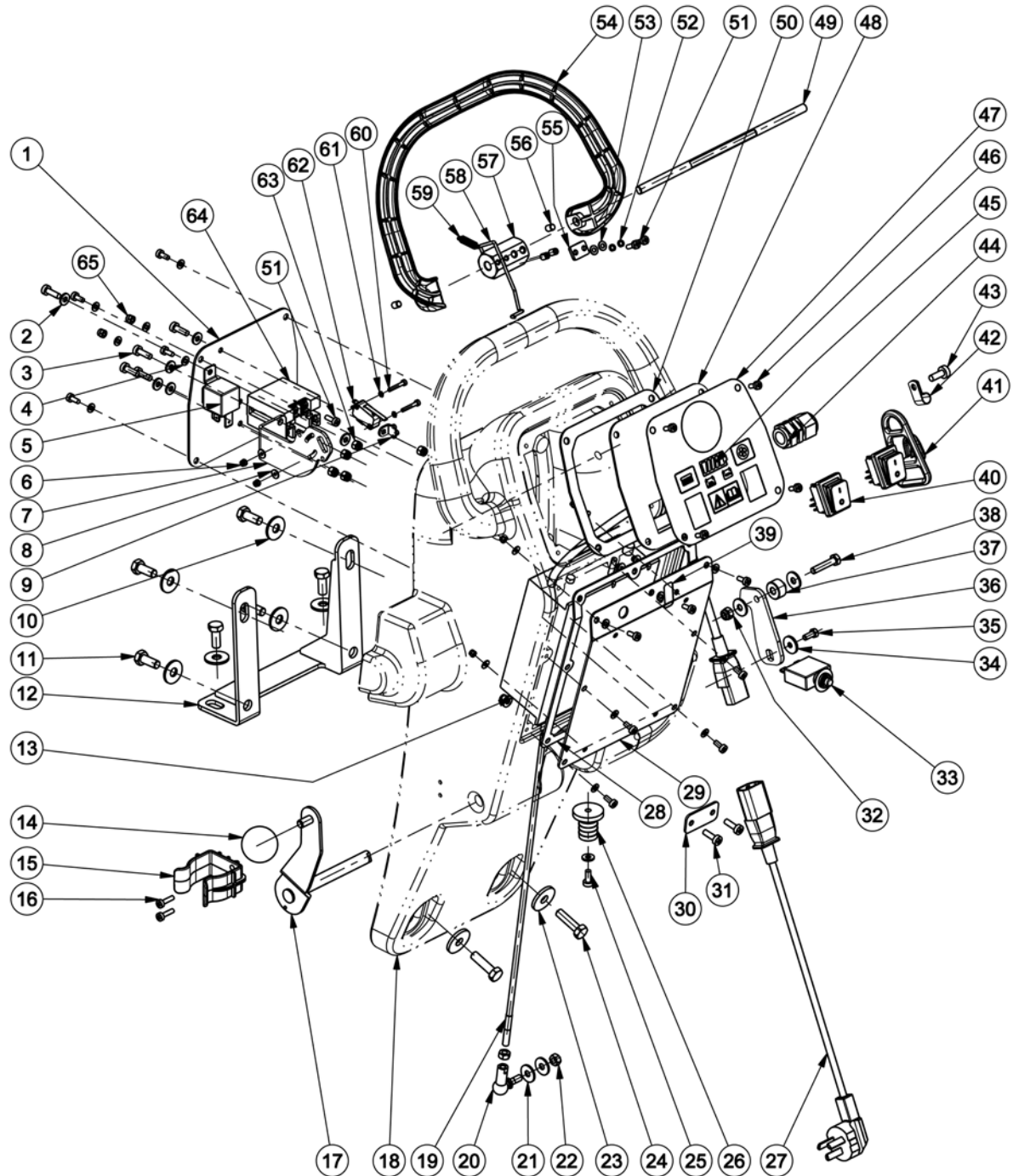


SOLUTION TANK ASSEMBLY

| DIA NO | PART NUMBER | DESCRIPTION | NO REQ'D |
|-----------|----------------|-----------------------------|-------------|
| 1 | 8013001 | SOLUTION TANK | 1 |
| 2 | 8013010* | 12V BATTERY | 2 |
| 3 | 1321110 | AUTO TAPPING SCREW ST3.5×10 | 1 |
| 4 | 8210531 | KNOB, M6 | 1 |
| 5 | 1221640 | PH SCREW M6×40, SS | 1 |
| 6 | 1421409 | PLAIN WASHER 4×9×0.8 | 1 |
| 7 | 8133002 | PLUG | 1 |
| 8 | 8013003 | TRANSPARENT HOSE | 1 |
| 9 | 8013017 | DECAL | 1 |
| 10 | 8013019 | BOLT WITH SHOULDER | 4 |
| 11 | 8013011 | SLIDER HOUSING | 1 |
| 12 | 8013021 | PLUNGER | 1 |
| 13 | 1123608 | SELF-LOCKING NUT M6 SS | 4 |
| 14 | 1421618 | PLAIN WASHER 6×18×1.6 | 6 |
| 15 | 1647320 | PING 3×20 | 1 |
| 16 | 8013013 | SLIDER | 1 |
| 17 | 1411030 | PLAIN WASHER 10×30×2.5 | 1 |
| 18 | 8013016 | 2" CASTOR | 1 |
| 19 | 1421020 | PLAIN WASHER 10×20×2 | 1 |
| 20 | 1422026 | SPRING WASHER 10 SS | 1 |
| 21 | 1031032 | HEX HEAD SCREW M10×32 | 1 |
| 22 | 8016010 | WHEEL SHAFT | 1 |
| 23 | 1411816 | PLAIN WASHER 8×16×1.6 | 2 |
| 24 | 1432821 | SPRING WASHER 8 | 2 |
| 25 | 1021820 | HEX HEAD SCREW M8×20,SS | 4 |
| 26 | 8115200 | 8" WHEEL | 2 |
| 27 | 1421828 | PLAIN WASHER 8×28×3 | 2 |
| 28 | 8115203 | WHEEL CAP | 2 |
| 29 | 1962025 | HOSE CLAMP | 1 |
| 30 | 8013004 | DECAL,BALL VALVE | 1 |
| 31 | 8013009 | DECAL,RIGHT | 1 |
| 32 | 1021616 | HEX HEAD SCREW M6×16,SS | 2 |
| 33 | 1422616 | SPRING WASHER 6 SS | 2 |
| 34 | 8013002 | BUCKET | 1 |
| 35 | 1221510 | PH SCREW M5×10,SS | 4 |
| 36 | 1421510 | PLAIN WASHER 5×10×1,SS | 4 |
| 37 | 8113009 | WIRE CLAMP | 4 |
| 38 | 8114751* | WIRING BOOT | 4 |
| 39 | 8013008 | DECAL,LEFT | 1 |

* ONLY FOR I18B

CONTROL BOX ASSEMBLY (FOR I18B)

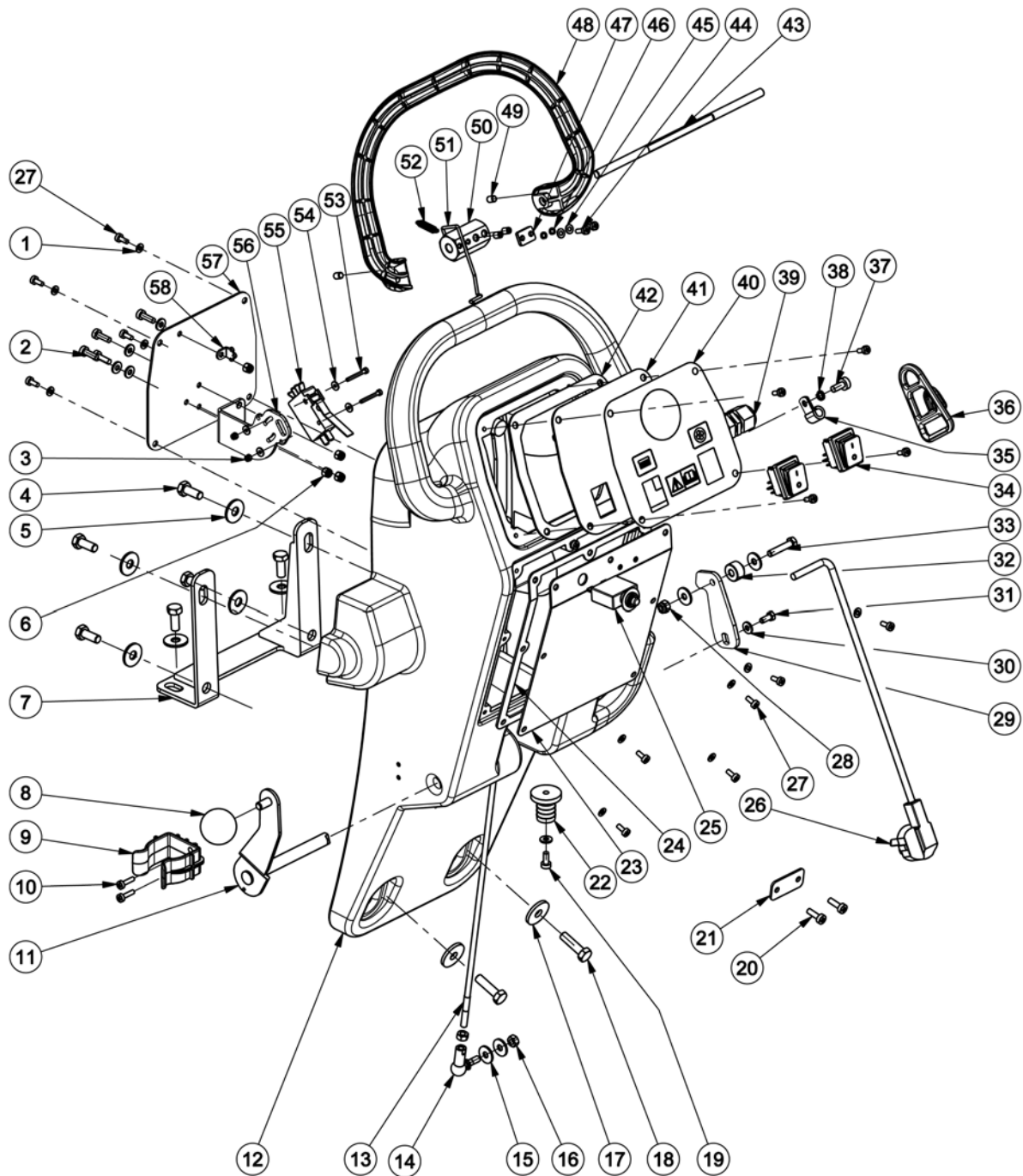


CONTROL BOX ASSEMBLY

| DIA NO | PART NUMBER | DESCRIPTION | NO REQ'D |
|--------|-------------|-----------------------|----------|
| 1 | 8014062 | REAR PANEL | 1 |
| 2 | 1421512 | PLAIN WASHRE 5×12×1.5 | 9 |
| 3 | 1211516 | PH SCREW M5×16 | 5 |
| 4 | 1421409 | PLAIN WASHER 4×9×0.8 | 13 |
| 5 | 8114707 | RELAY | 1 |
| 6 | 1113305 | SELFLOCKING NUT M3 | 8 |
| 7 | 8014061 | SWITCH BRACKET | 1 |
| 8 | 1411309 | PLAIN WASHER 3×9×0.8 | 8 |

| DIA NO | PART NUMBER | DESCRIPTION | NO REQ'D |
|--------|-------------|----------------------------|----------|
| 9 | 8014034 | BRCKET | 1 |
| 10 | 1411824 | PLAIN WASHER 8×24×2 | 6 |
| 11 | 1021820 | HEX HEAD BOLT M8×20 | 6 |
| 12 | 8114030 | FIXING BRACKET,CONTROL BOX | 1 |
| 13 | 8014066 | BATTERY CHARGER 24V | 1 |
| 14 | 8113104 | HANDLE | 1 |
| 15 | 6210111 | HOSE CLAMP | 1 |
| 16 | 1221416 | PH SCREW M4×16 SS | 2 |
| 17 | 8014010 | SQUEEGEE LIFTING HANDLE | 1 |
| 18 | 8014008 | CONTROL BOX | 1 |
| 19 | 8014013 | SQUEEGEE LIFTING ROPE | 1 |
| 20 | 8114511 | JOINT BEARING SQ6 | 1 |
| 21 | 1421618 | PLAIN WASHER 6×18×1.6,SS | 4 |
| 22 | 1121605 | HEX NUT M6 | 2 |
| 23 | 1421828 | PLAIN WASHER 8×28×3 | 2 |
| 24 | 1021830 | HEX HEAD BOLT M8×30 | 2 |
| 25 | 1221512 | PH SCREW M5×12,SS | 1 |
| 26 | 8114005 | PIPE COUPLING | 1 |
| 27 | 8014030 | CHARGER CORD (FOR US) | 1 |
| | 8014040 | CHARGER CORD (FOR EU) | 1 |
| | 8014050 | CHARGER CORD (FOR JP) | 1 |
| | 8014070 | CHARGER CORD (FOR UK) | 1 |
| 28 | 8014038 | GASKET | 1 |
| 29 | 8014036 | PANEL | 1 |
| 30 | 8014044 | PLATE | 1 |
| 31 | 1221516 | PH SCREW M5×16 SS | 2 |
| 32 | 1123608 | SELFLOCKING NUT M6,SS | 1 |
| 33 | 8114703 | OVERLOAD PROTECTOR 35A | 1 |
| 34 | 1421518 | PLAIN WASHER 5×18×2 | 1 |
| 35 | 1021512 | HEX HEAD BOLT M5×12,SS | 1 |
| 36 | 8014012 | BAFFLE | 1 |
| 37 | 8014101 | LIFTING ROPE SPACER | 1 |
| 38 | 1021630 | HEX HEAD BOLT M5×12,SS | 1 |
| 39 | 8014045 | TRANSPARENT PLATE | 1 |
| 40 | 8014006 | WATERPROOF SWITCH 250V 16A | 2 |
| 41 | 8014043 | WIRE BUFFER | 1 |
| 42 | 8014041 | WIRE CLAMP | 1 |
| 43 | 1221616 | PH SCREW M6×16,SS | 1 |
| 44 | 2320403 | STRAIN RELIEF | 1 |
| 45 | 8014063 | BATTERY CAPACITY INDICATOR | 1 |
| 46 | 1221410 | PH SCREW M4×10,SS | 15 |
| 47 | 8014067 | PANEL DECAL | 1 |
| 48 | 8014069 | FRONT PANEL | 1 |
| 49 | 8114101 | SHAFT | 1 |
| 50 | 8014004 | GASKET | 1 |
| 51 | 1221412 | PH SCREW M4×12, SS | 4 |
| 52 | 1432411 | SPRING WASHER 4 | 2 |
| 53 | 1411409 | PLAIN WASHER 4×9×0.8 | 2 |
| 54 | 8014022 | CONTROL TRIGGER | 1 |
| 55 | 8014033 | PLATE | 1 |
| 56 | 1534608 | SET SCREW M6×8 | 4 |
| 57 | 8014031 | HEX BUSHING | 1 |
| 58 | 8014032 | SPRING ROD | 1 |
| 59 | 8014035 | SPRING | 1 |
| 60 | 1211320 | PH SCREW M3×20 | 2 |
| 61 | 1434300 | WASHER WITH TOOTH 3 | 2 |
| 62 | 8114712 | MICROSWITCH | 1 |
| 63 | 1113507 | SELFLOCKING NUT M5 | 7 |
| 64 | 8014076 | RELAY 24VDC 30A | 1 |
| 65 | 1123406 | SELFLOCKING NUT M4, SS | 2 |

CONTROL BOX ASSEMBLY (FOR I18C)

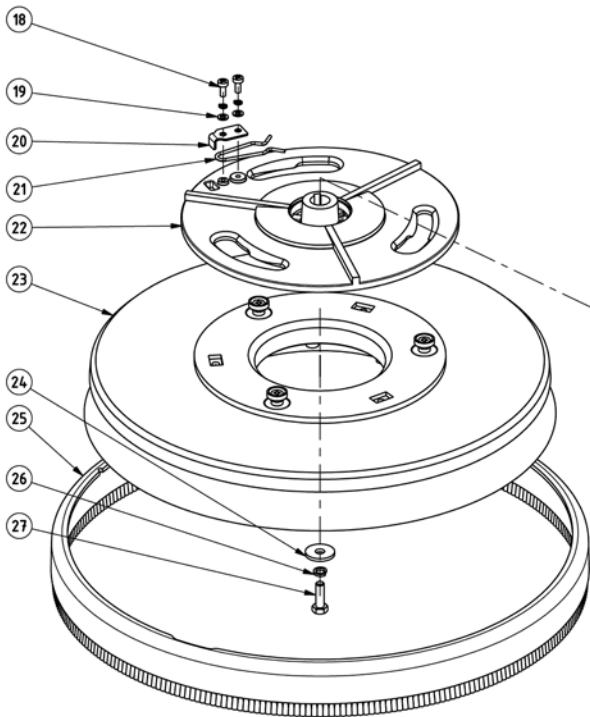


CONTROL BOX ASSEMBLY

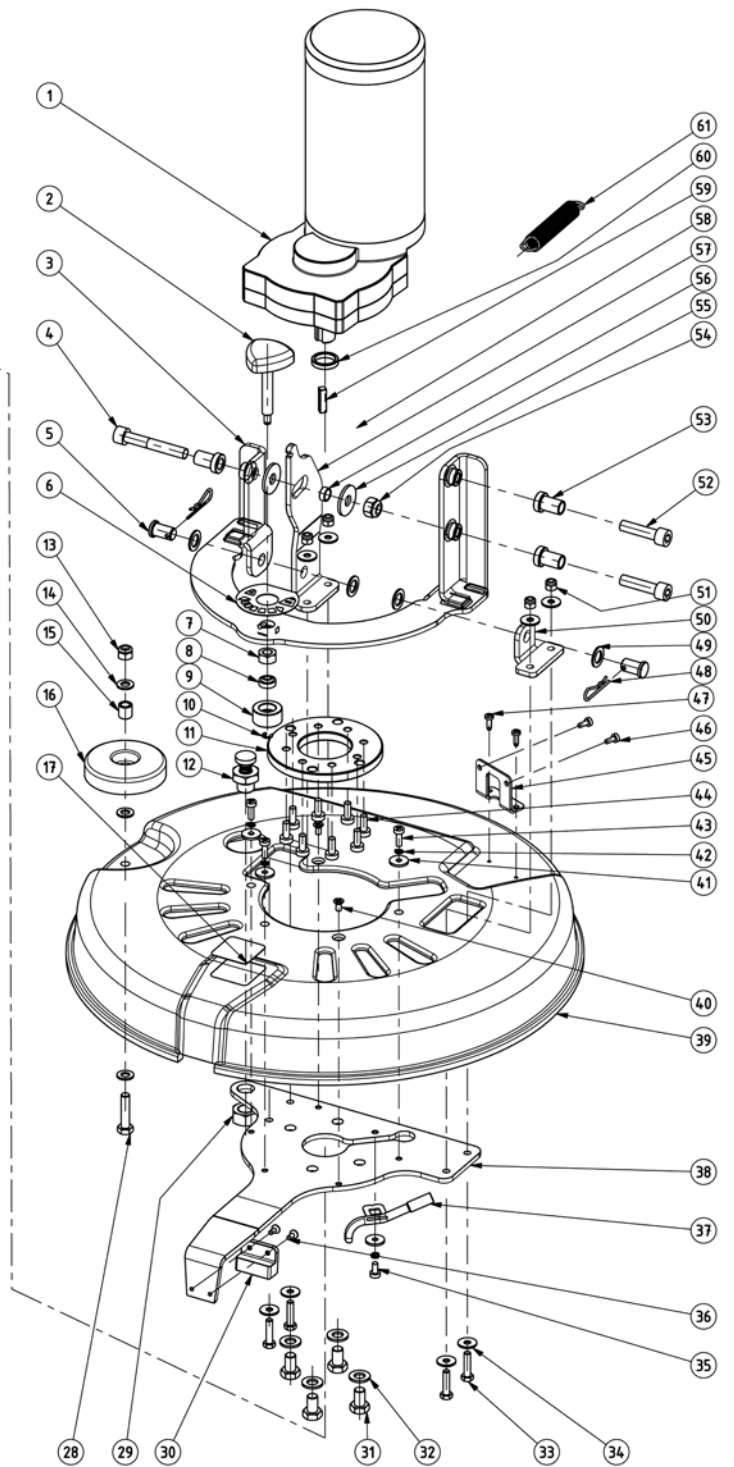
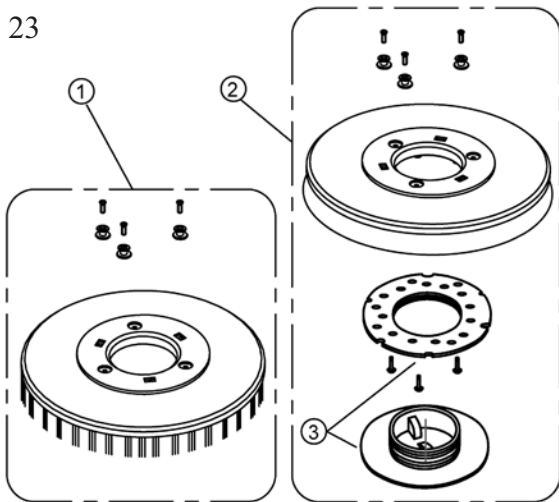
| DIA NO | PART NUMBER | DESCRIPTION | NO REQ'D |
|--------|-------------|----------------------------|----------|
| 1 | 1421409 | PLAIN WASHER 4×9×0.8 | 11 |
| 2 | 1211516 | PH SCREW M5×16 | 4 |
| 3 | 1113305 | SELFLOCKING NUT M3 | 2 |
| 4 | 1021820 | HEX HEAD BOLT M8×20 | 6 |
| 5 | 1411824 | PLAIN WASHER 8×24×2 | 6 |
| 6 | 1113507 | SELFLOCKING NUT M5 | 4 |
| 7 | 8114030 | FIXING BRACKET,CONTROL BOX | 1 |
| 8 | 8113104 | HANDLE | 1 |

| DIA NO | PART NUMBER | DESCRIPTION | NO REQ'D |
|-------------------|------------------------|----------------------------|---------------------|
| 9 | 6210111 | HOSE CLAMP | 1 |
| 10 | 1221416 | PH SCREW M4×16 SS | 2 |
| 11 | 8014010 | SQUEEGEE LIFTING HANDLE | 1 |
| 12 | 8014008 | CONTROL BOX | 1 |
| 13 | 8014013 | SQUEEGEE LIFTING ROPE | 1 |
| 14 | 8114511 | JOINT BEARING SQ6 | 1 |
| 15 | 1421618 | PLAIN WASHER 6×18×1.6,SS | 4 |
| 16 | 1121605 | HEX NUT M6 | 2 |
| 17 | 1421828 | PLAIN WASHER 8×28×3 | 2 |
| 18 | 1021830 | HEX HEAD BOLT M8×30 | 2 |
| 19 | 1221512 | PH SCREW M5×12 | 1 |
| 20 | 1221516 | PH SCREW M5×16 SS | 2 |
| 21 | 8014044 | PLATE | 1 |
| 22 | 8114005 | PIPE COUPLING | 1 |
| 23 | 8014037 | PANEL, BOTTOM | 1 |
| 24 | 8014038 | GASKET | 1 |
| 25 | 8014068 | OVERLOAD PROTECTOR 10A | 1 |
| 26 | 8014053 | POWER CORD | 1 |
| 27 | 1221410 | PH SCREW M4×10,SS | 17 |
| 28 | 1123608 | SELFLOCKING NUT M6,SS | 1 |
| 29 | 8014012 | BAFFLE | 1 |
| 30 | 1421512 | PLAIN WASHRE 5×12×1.5 | 6 |
| 31 | 1021512 | HEX HEAD BOLT M5×12,SS | 1 |
| 32 | 8014101 | LIFTING ROPE SPACER | 1 |
| 33 | 1021630 | HEX HEAD BOLT M6×30,SS | 1 |
| 34 | 8014006 | WATERPROOF SWITCH 250V 16A | 2 |
| 35 | 8014041 | WIRE CLAMP | 1 |
| 36 | 8014043 | WIRE BUFFER | 1 |
| 37 | 1221614 | PH SCREW M6×14 | 1 |
| 38 | 1422616 | SPRING WASHER 6 | 1 |
| 39 | 2320403 | STRAIN RELIEF | 1 |
| 40 | 8014007 | PANEL DECAL | 1 |
| 41 | 8014005 | FRONT PANEL | 1 |
| 42 | 8014004 | GASKET | 1 |
| 43 | 8114101 | SHAFT | 1 |
| 44 | 1221412 | PH SCREW M4×12,SS | 2 |
| 45 | 1411409 | PLAIN WASHRE 4×9×0.8 | 2 |
| 46 | 1432411 | SPRING WASHER 4 | 2 |
| 47 | 8014033 | PLATE | 1 |
| 48 | 8014022 | CONTROL TRIGGER | 1 |
| 49 | 1534608 | SET SCREW M6×8 | 4 |
| 50 | 8014031 | HEX BUSHING | 1 |
| 51 | 8014032 | SPRING ROD | 1 |
| 52 | 8014035 | SPRING | 1 |
| 53 | 1211325 | PH SCREW M3×25 | 2 |
| 54 | 1411309 | PLAIN WASHER 3×9×0.8 | 4 |
| 55 | 4010308 | SWITCH | 1 |
| 56 | 8014061 | SWITCH BRACKET | 1 |
| 57 | 8014002 | REAR PANEL | 1 |
| 58 | 8014034 | BRACKET | 1 |

BRUSH ASSEMBLY



23



BRUSH ASSEMBLY

| DIA NO | PART NUMBER | DESCRIPTION | NO REQ'D |
|-----------|----------------|--------------------------|-------------|
| 1 | 8015088* | MOTOR 24V 550W | 1 |
| | 8015092 | MOTOR 110V 550W | 1 |
| 2 | 8015020 | ADJUSTING HANDLE | 1 |
| 3 | 8015010 | BRUSH HANGER | 1 |
| 4 | 1511065 | HEX SOCKET SCREW M10×65 | 1 |
| 5 | 1644220 | PIN 12×20 | 2 |
| 6 | 8015101 | DECAL | 1 |
| 7 | 1111008 | HEX NUT M10 | 1 |
| 8 | 8015104 | BEARING GEC6C | 1 |
| 9 | 8015105 | BEARING HOUSING | 1 |
| 10 | 1439005 | DETENT RING 5 | 1 |
| 11 | 8015087 | ASSAMBLY BOARD | 1 |
| 12 | 8015050 | BRUSH PLUNGER | 1 |
| 13 | 1123810 | SELFLOCKING NUT M8,SS | 1 |
| 14 | 1421816 | PLAIN WASHER 8×16×1.6,SS | 3 |
| 15 | 8115404 | SPACER | 1 |
| 16 | 8116009 | BUMPING WHEEL | 1 |
| 17 | 8111023 | WARNING DECAL | 1 |
| 18 | 1221512 | PH SCREW M5×12 | 2 |
| 19 | 1421510 | PLAIN WASHER 5×10×1,SS | 2 |
| 20 | 8116002 | WASHER | 1 |
| 21 | 8116003 | SPRING CLAMP | 1 |
| 22 | 8116008 | BRUSH HUB | 1 |
| 23Δ | 9050018 | BRUSH 18" | 1 |
| 24 | 1421828 | PLAIN WASHER 8×28×3 | 1 |
| 25 | 8015090 | SPLASH GUARD | 1 |
| 26 | 1422821 | SPRING WASHER 8 | 1 |
| 27 | 1023810 | HEX HEAD BOLT 5/16×1",SS | 1 |
| 28 | 1021835 | HEX HEAD BOLT M8×35,SS | 1 |
| 29 | 1111215 | HEX NUT M16 | 1 |
| 30 | 8015108 | SUPPORTER | 1 |
| 31 | 1011016 | HEX BOLT M6×16 | 1 |
| 32 | 1411020 | PLAIN WASHER 10×20×2 | 4 |
| 33 | 1011625 | HEX HEAD BOLT M6×25 | 4 |
| 34 | 1421618 | PLAIN WASHER 6×18×1.6,SS | 8 |
| 35 | 1221510 | SH SCREW M5×10 | 1 |
| 36 | 1212410 | SH SCREW M4×10 | 2 |
| 37 | 8015060 | WATER INLET | 1 |
| 38 | 8015041 | MOTOR BRACKET | 1 |
| 39 | 8015005 | BRUSH COVER | 1 |
| 40 | 1222510 | SH SCREW M5×10 | 2 |
| 41 | 1421518 | PLAIN WASHER 5×18×2,SS | 4 |
| 42 | 1422513 | SPRING WASHER 5 | 5 |
| 43 | 1221515 | PH SCREW M5×15 | 3 |
| 44 | 1221616 | PH SCREW M6×16 | 8 |

BRUSH ASSEMBLY

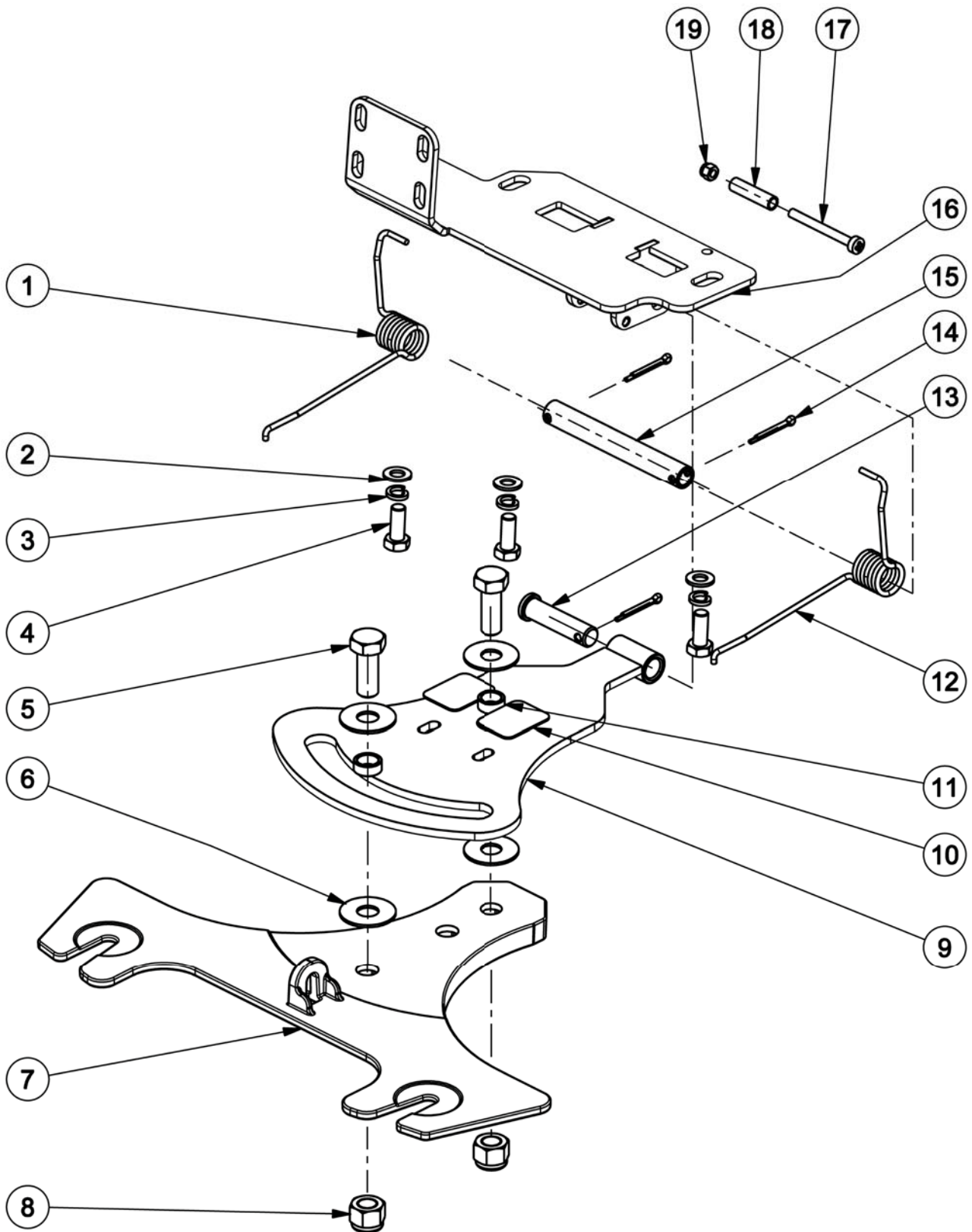
| DIA NO | PART NUMBER | DESCRIPTION | NO REQ'D |
|-------------------|------------------------|-----------------------------|---------------------|
| 45 | 8015103 | VALVE BRACKET | 1 |
| 46 | 1221410 | PH SCREW M4×10,SS | 2 |
| 47 | 1321213 | AUTO TAPPING SCREW ST4.2×13 | 2 |
| 48 | 1646240 | COTTER PIN 2×40 | 2 |
| 49 | 8015116 | NYLON WASHER 12.5×20×1.5 | 4 |
| 50 | 8015001 | BRACKET | 1 |
| 51 | 1123608 | SELFLOCKING NUT M6,SS | 4 |
| 52 | 1511040 | HEX SOCKET SCREW M10×40 | 2 |
| 53 | 8015007 | BUSHING | 3 |
| 54 | 1113012 | SELFLOCKING NUT M10 | 1 |
| 55 | 8015115 | NYLON WASHER 10.5×30×2.5 | 2 |
| 56 | 8015121 | SPACER 13×10.5×5.5 | 1 |
| 57 | 8015002 | BRACKET | 1 |
| 58 | 8116004 | DETENT RING | 1 |
| 59 | 1656432 | KEY 6.35×32 | 1 |
| 60 | 8015003 | SPACER 25.5×19.5×5 | 1 |
| 61 | 8115004 | SPRING | 1 |

23Δ

| DIA NO | PART NUMBER | DESCRIPTION | NO REQ'D |
|-------------------|------------------------|--------------------|---------------------|
| 1 | 9050018 | BRUSH 18" | 1 |
| 2 | 9040017 | PAD DRIVER 17" | 1 |
| 3 | 9000001 | BIG MOUTH | 1 |

* ONLY FOR I18B

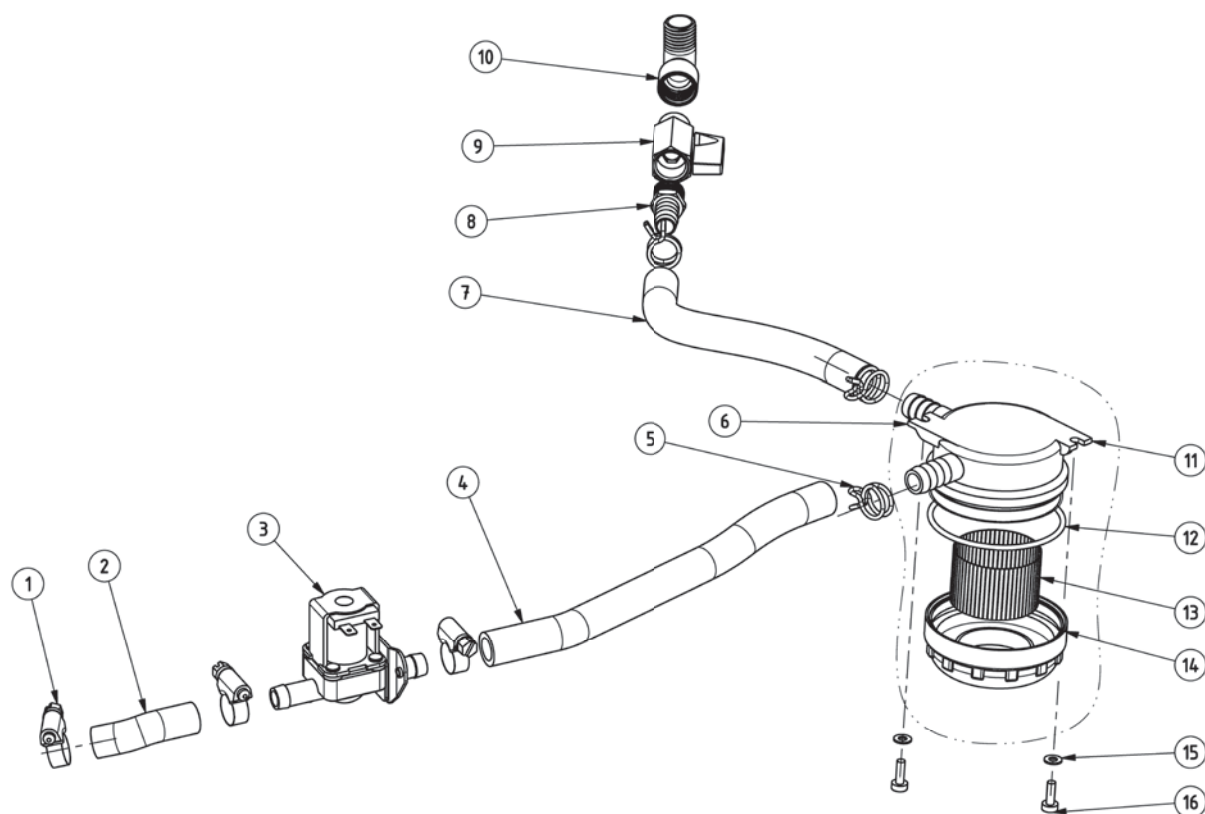
SQUEEGEE HOLDER ASSEMBLY



SQUEEGEE HOLDER ASSEMBLY

| DIA NO | PART NUMBER | DESCRIPTION | NO REQ'D |
|-------------------|------------------------|--------------------------|---------------------|
| 1 | 8017003 | SPRING | 1 |
| 2 | 1411816 | PLAIN WASHER 8×16×1.6 | 3 |
| 3 | 1432821 | SPRING WASHER 8 | 3 |
| 4 | 1021820 | HEX HEAD BOLT M8×20,SS | 3 |
| 5 | 1021230 | HEX HEAD BOLT M12×30,SS | 2 |
| 6 | 8015117 | NYLON WASHER 12.5×32×1.5 | 4 |
| 7 | 8115001 | SQUEEGEE SUPPORT | 1 |
| 8 | 1123115 | SELFLOCKING NUTS M12 | 2 |
| 9 | 8017010 | SQUEEGEE BRACKET | 1 |
| 10 | 8117006 | CUSHION | 2 |
| 11 | 8115005 | SPACER 16×12×6.5 | 2 |
| 12 | 8017002 | SPRING | 1 |
| 13 | 1644248 | PIN 12×48 | 1 |
| 14 | 1645324 | COTTER PIN | 3 |
| 15 | 8017024 | SUPPORTING PIPE | 1 |
| 16 | 8017020 | SQUEEGEE HOLDER | 1 |
| 17 | 1221550 | PH SCREW M5×50 | 1 |
| 18 | 8017005 | BUSHING | 1 |
| 19 | 1123507 | SELF-LOCKING NUT M5 | 1 |

SOLUTION SYSTEM ASSEMBLY

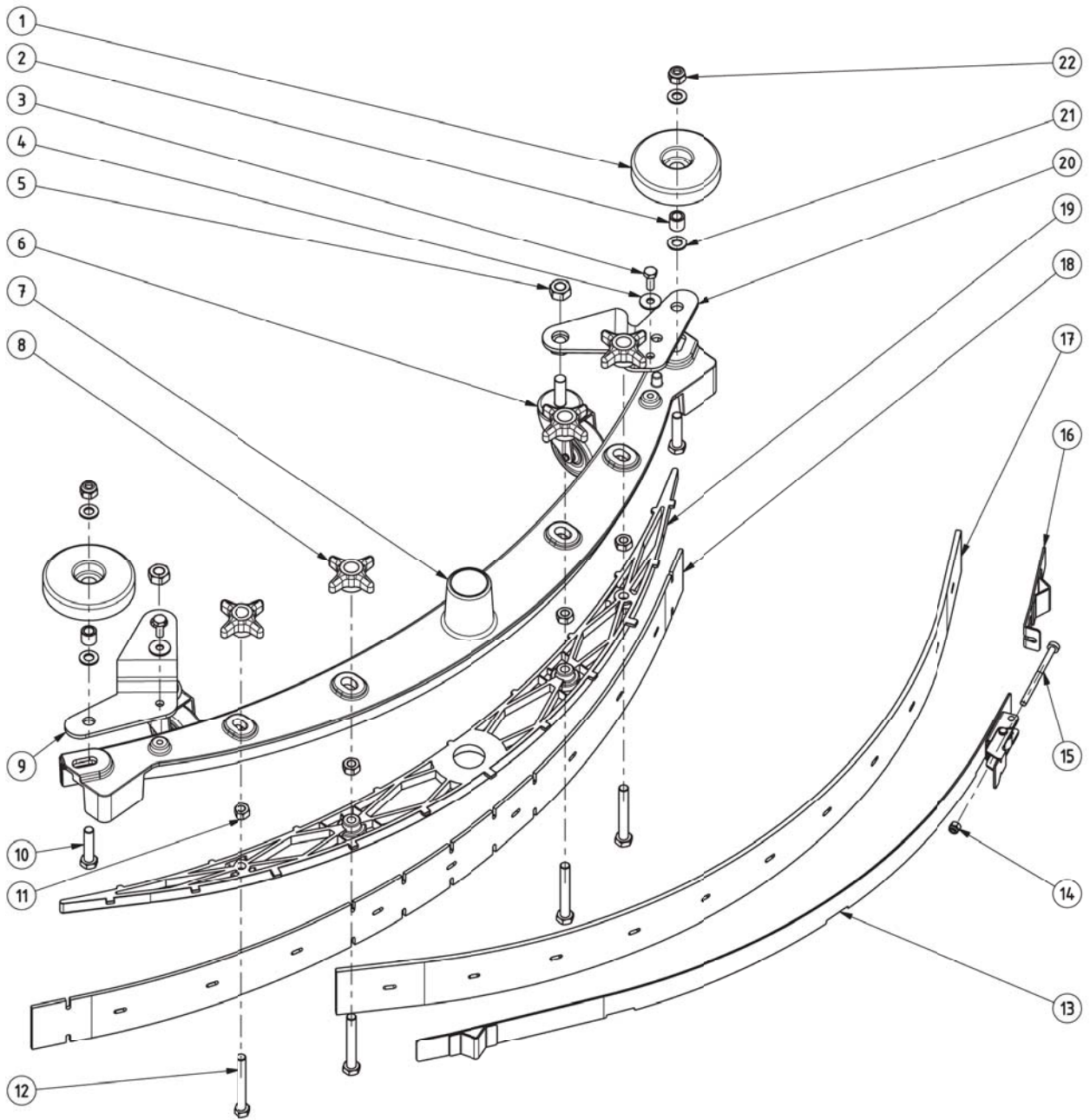


SOLUTION SYSTEM ASSEMBLY

| DIA NO | PART NUMBER | DESCRIPTION | NO REQ'D |
|--------|-------------|--|----------|
| 1 | 1962016 | HOSE CLAMP 喉箍 10-16mm | 2 |
| 2 | 8018004 | HOSE 清水管 | 1 |
| 3 | 8018007* | SOLENOID VALVE, 24V 放水电磁阀, 24V | 1 |
| | 8018009 | SOLENOID VALVE, 110V 放水电磁阀, 110V | 1 |
| 4 | 8018003 | HOSE 请水管 | 1 |
| 5 | 8119006 | HOSE CLAMP 水管夹(小) | 4 |
| 6 | 8119100 | WATER FILTER 清水过滤器 | 1 |
| 7 | 8018002 | HOSE 清水管 | 1 |
| 8 | 8013007 | JOINT 直接头 | 1 |
| 9 | 8018006 | BALL VALVE 微型球阀 | 1 |
| 10 | 8013006 | 90° JOINT 90度接头 | 1 |
| 11 | 8119101 | FILTER BODY 过滤器体 | 1 |
| 12 | 1622765 | O RING O形圈 | 1 |
| 13 | 8119103 | FILTER SCREEN 过滤网 | 1 |
| 14 | 8119102 | FILTER COVER 过滤器盖 | 1 |
| 15 | 1421409 | PLAIN WASHER 4×9×0.8,SS 不锈钢平垫圈 4×9×0.8 | 2 |
| 16 | 1221412 | PH SCREW M4×12, SS 不锈钢十字盘头螺钉 M4×12 | 2 |

* FOR I18B

SQUEEGEE ASSEMBLY



SQUEEGEE ASSEMBLY

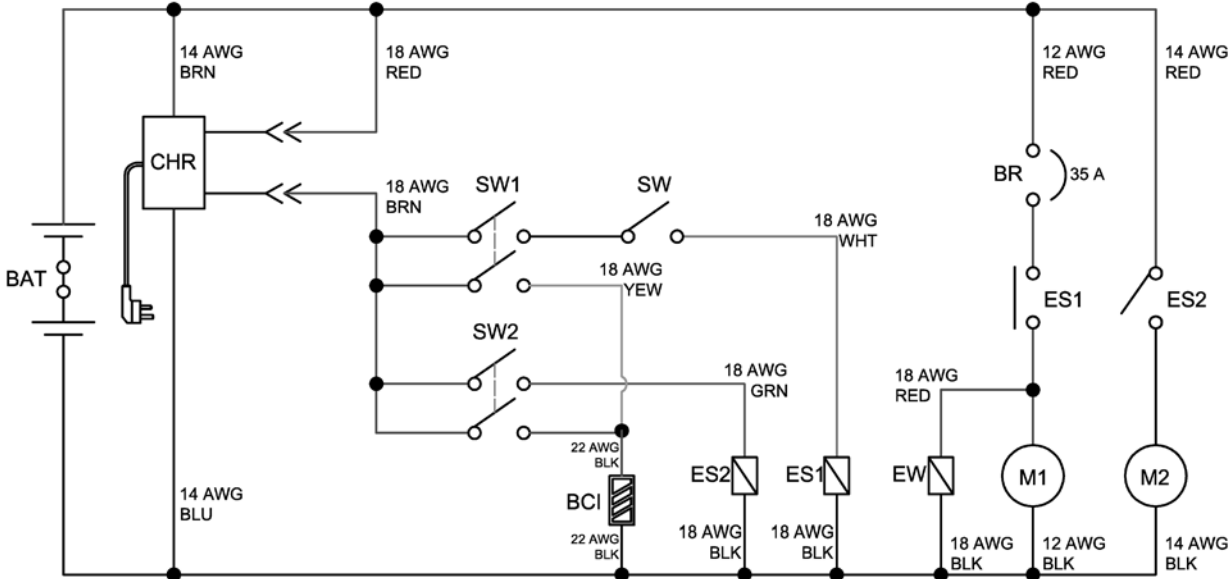
| DIA NO | PART NUMBER | DESCRIPTION | NO REQ'D |
|-----------|----------------|-------------------------------|-------------|
| 1 | 8116009 | BUMPING WHEEL | 2 |
| 2 | 8115404 | SPACER | 2 |
| 3 | 1021616 | HEX HEAD BOLT M6×16,SS | 2 |
| 4 | 1421618 | PLAIN WASHER 6×18×1.6,SS | 2 |
| 5 | 1111008 | HEX NUT M10 | 2 |
| 6 | 8118400 | 2" CASTER | 2 |
| 7 | 8118004 | SQUEEGEE BRACKET | 1 |
| 8 | 8118003 | HANDLE | 4 |
| 9 | 8118300 | BRACKET,RIGHT | 1 |
| 10 | 1021835 | HEX HEAD BOLT M8×35,SS | 2 |
| 11 | 1121807 | HEX NUT M8,SS | 4 |
| 12 | 1021860 | HEX HEAD BOLT M8×60 | 4 |
| 13 | 8118600 | CLAMP ASSEMBLY | 1 |
| 14 | 1123507 | SELFLOCKING NUT M5 | 1 |
| 15 | 1221570 | PH SCREW M5×70 | 1 |
| 16 | 8118610 | CLAMP ASSEMBLY | 1 |
| 17 | 8118022 | REAR SQUEEGEE | 1 |
| | 8118002 | REAR SQUEEGEE, PU (OPTIONAL) | 1 |
| | 8118012 | REAR SQUEEGEE, CR (OPTIONAL) | 1 |
| 18 | 8118021 | FRONT SQUEEGEE, LINATEX | 1 |
| | 8118001 | FRONT SQUEEGEE, PU (OPTIONAL) | 1 |
| | 8118011 | FRONT SQUEEGEE, CR (OPTIONAL) | 1 |
| 19 | 8118005 | SQUEEGEE HOLDER | 1 |
| 20 | 8118200 | BRACKET,LEFT | 1 |
| 21 | 1421816 | PLAIN WASHER 8×16×1.6,SS | 4 |
| 22 | 1123810 | SELFLOCKING NUT M8 | 2 |

WEAR & TEAR PARTS LIST

| PART NO. | DESCRIPTION | QTY. |
|-----------------|--------------------|-------------|
| 8115200 | 8 INCH WHEEL | 2 |
| 8116009 | BUMPING WHEEL | 3 |
| 8118022 | REAR SQUEEGEE | 1 |
| 8118021 | FRONT SQUEEGEE | 1 |
| 9040017 | PAD HOLDER 17" | 1 |
| 9050018 | BRUSH 18" | 1 |

WIRING DIAGRAM

I18B



- BAT: 2-12V battery
- CHR: On board charger
- SW: Control handle switch
- SW1: Brush motor switch
- SW2: Vacuum motor switch
- ES1: Brush motor solenoid switch
- ES2: Vacuum motor relay
- BCI: Battery capacity indicator
- BR: Circuit breaker
- EW: Solution solenoid valve
- M1: Brush motor
- M2: Vacuum motor

- BLK: Black
- BLU: Blue
- BRN: Brown
- GRN: Green
- RED: Red
- WHT: White
- YEW: Yellow

WIRING DIAGRAM

I18C

Wiring Diagram

