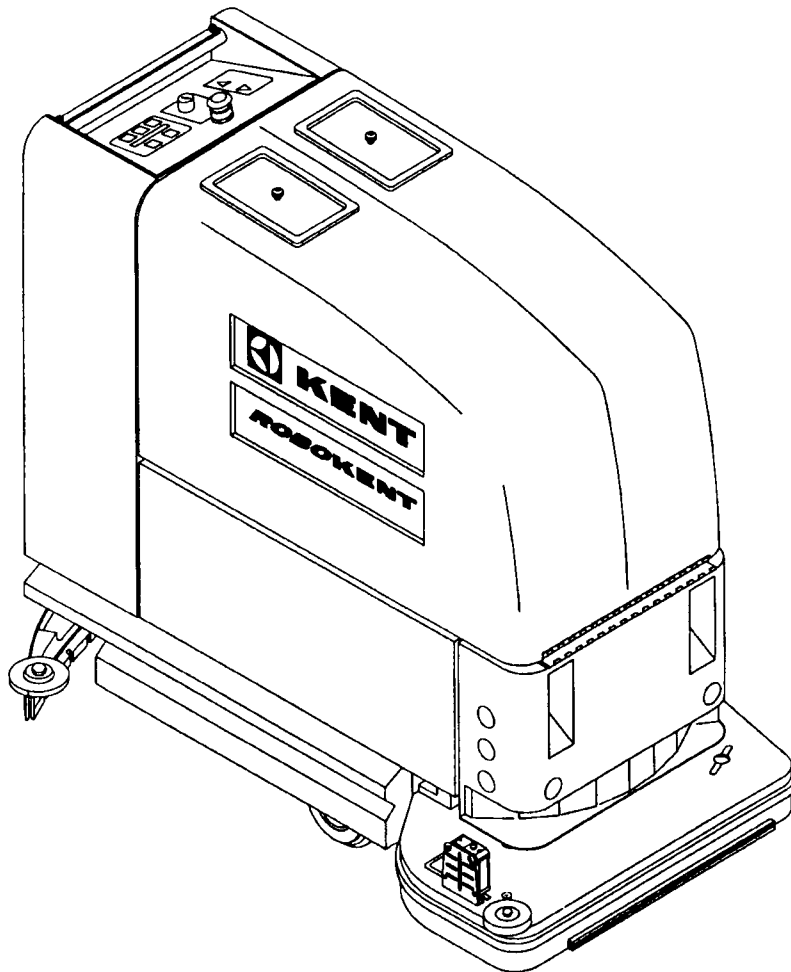




KENT

PARTS



KA-26BR 6th Generation

Spare Parts List

TABLE OF CONTENTS

SPECIFICATIONS	2
RECOMMENDED SPARE PARTS	3
RECOMMENDED TOOLS FOR MAINTENANCE	4
FINAL ASSEMBLY	5
FINAL ASSEMBLY PARTS LIST	6
LOWER CHASSIS ASSEMBLY	7
LOWER CHASSIS ASSEMBLY PARTS LIST	8
BRUSH HEAD ASSEMBLY	9
BRUSH HEAD ASSEMBLY PARTS LIST	10
SQUEEGEE ASSEMBLY	11
SQUEEGEE ASSEMBLY PARTS LIST	12
SOLUTION TANK ASSEMBLY	13
RECOVERY TANK ASSEMBLY	14
LEFT HORIZONTAL PANEL ASSEMBLY	15
RIGHT HORIZONTAL PANEL ASSEMBLY	16
HANDLE BAR ASSEMBLY	17
PNEUMATIC MANIFOLD ASSEMBLY	18
AIR COMPRESSOR ASSEMBLY	19
BRUSH HEAD CYLINDER ASSEMBLY	20
AIR TANK ASSEMBLY	21
WATER VALVE ASSEMBLY	22
DRIVE ASSEMBLY	23
DRIVE MOTOR ASSEMBLY	24
VACUUM MOTOR ASSEMBLY	25
RECYCLE DOOR ASSEMBLY	26
BRUSH HEAD CYLINDER ASSEMBLY	27
TROUBLE SHOOTING GUIDE	28,29
WARRANTY	30

SPECIFICATIONS

CONTROLS	Manual and electronic controls with pneumatic and gravity operation.
MAIN COMPUTER	Monitors all data, and computes the AutoLearning sequence.
DRIVE SuBSYSTEM	MonitorS and controls the machines movement and positioning.
AUXILIARY SuBSYSTEM	Monitors operating information, i.e. control Panel, Pneumatic Valves.
DRIVE MOTORS	Two 24VDC servo type with high traction water displacement tread.
VACUUM MOTOR	24VDC, 3/4HP, 3 stage bypass type.
BRUSH DRIVE MOTOR	24VDC, 3/4HP, 1150RPM permanent magnet type, belt driven to self leveling scrub system
OBSTACLE AVOIDANCE	10 point sonar sensing system is the frontal "eyes" of the machine.
WALL REGISTRATION	6 point sonar sensing system informs the machine of its orientation to the hall
OVERHEAD	2 point sonar sensing system "looks" above the machine for overhangs and ledges.
BRUSH HEAD	Cast aluminum with bumper wheel, wall hug sensor, stair detection capability and touch sense bumpers.
SCRUBBING WIDTH	26" (66 cm)
SCRUBBING PRESSURE	55 lbs. (25 kg.)
SQUEEGEE	32" (81.2 cm)ARC shaped, swing type with self-centering device and gum rubber reversible blades.
SOLUTION FEED	Manually adjustable flow rate to center of each brush.
FRAME	All welded stainless steel, 11 Ga.(0.3 cm) plate with 1/4" (0.6 cm) flat bar.
SOLUTION / RECOVERY TANKS	25 gal. (94.6 L)) high density molded seamless linear polyethylene.
CASTERS	Two 3 1/2" (8.9 cm) Polyurethane swivel type.
BATTERIES	Four heavy-duty deep cycle, 6V, 200 AH, series connected.
CHARGER UNIT	Electronic, 20 AMP, 24V, 115 VAC.
DIMENSIONS:	
LENGTH (OVERALL)	55" (139.7 cm).
HEIGHT (OVERALL)	42-1/2" (107.9 cm).
WIDTH (BODY)	19" (48.3 cm).
WIDTH (BRUSH HEAD)	28" (71.7 cm).
WIDTH (SQUEEGEE)	32" (81.2 cm)
WEIGHTS:	
MACHINE WITH BATTERIES	688 lbs. (312.1 kg).
SHIPPING WEIGHTS:	
TOTAL	670 lbs. (303.9 kg).
BATTERY PACK	260 lbs. (117.9 kg).
BATTERY CART	65 lbs. (29.5 kg).

RECOMMENDED SPARE PARTS

Recommended spare parts should be ordered and stocked to avoid possible down time for normal wear items, or in case of failure.

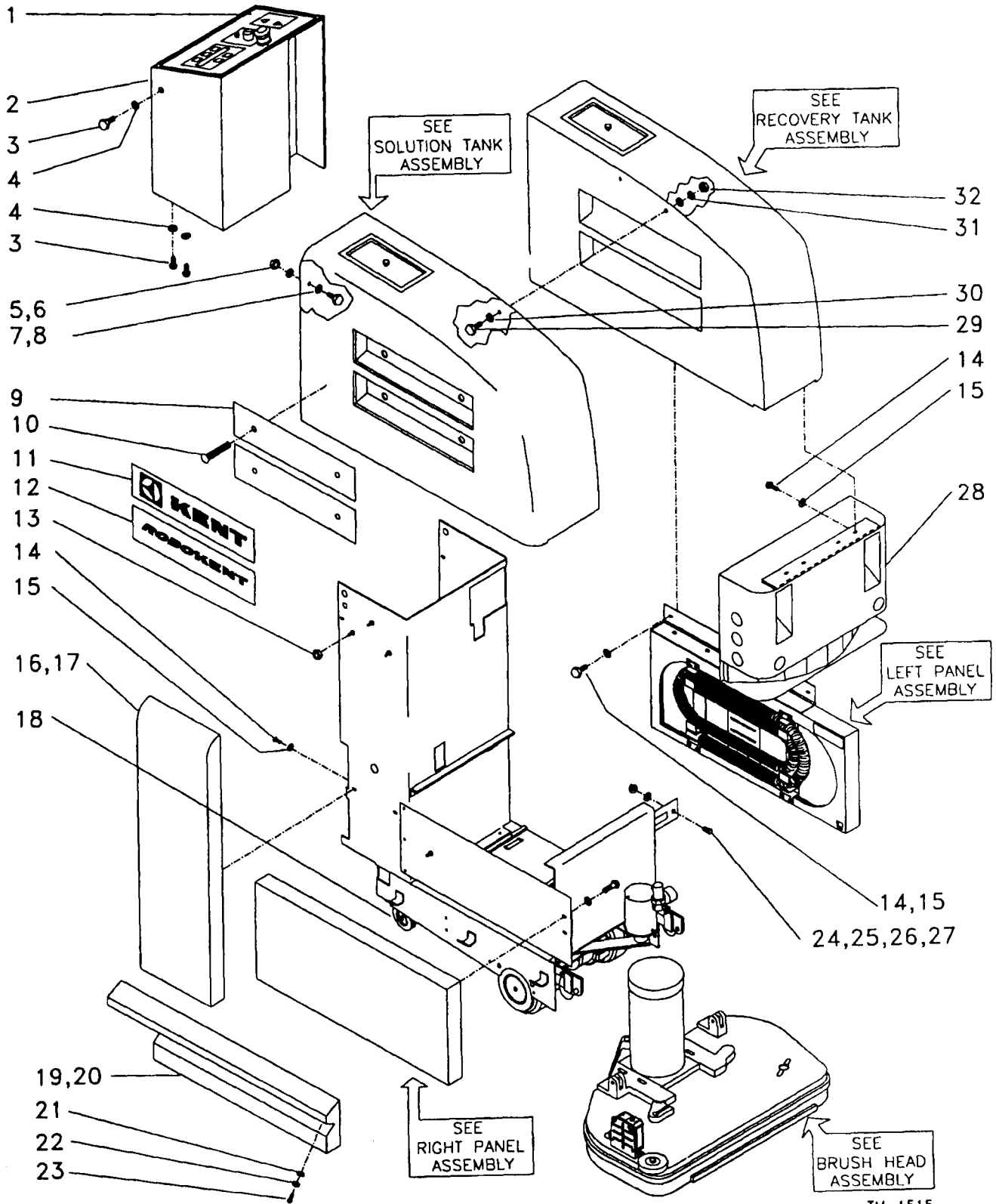
PART NO.	DESCRIPTION	QUANT.
1	056185 FILTER,SOCK—150MICRON,5"OPEN	2
2	056235 FILTER,RECYCLE—1/2NPT	1
3	046817 LINT FILTER	2
4	038303 FIELD INSTAL. KIT-MICRO FILTER	1
5	049867 FILTER,COTTON—5 MICRON	1
6	049870 FILTER,COTTON—10 MICRON	1
7	055592 FILTER,COTTON—30 MICRON	1
8	055593 FILTER,COTTON—50 MICRON	1
9	R26134 SWITCH,TAPE—17"L W/60"LEADS	1
10	R26087 SWITCH,TAPE—27"L W/24"LEADS	1
11	R26006 SWITCH,TAPE—32"SW/70"LEAD	1
12	053409 ASM,PULLEY&BRG—BRUSH HEAD	1
13	039065 SET,SQUEEGEE BLADE—,NARROW	1
14	R50107 RUBBER,SQUEEGEE—.19X2.12X4.0L	2
15	R50047 GUARD,SPLASH—.125X2.75X13.50L	2
16	054498 BELT,V—10V'S,17.00" PL	1
17	046788 BELT,DOUBLE-V—62.1 PITCH,AA60	1
18	R50234 CHANNEL,RUBBER—57.50"L	1
19	R50235 CHANNEL,RUBBER—18"	1
20	026651 CIRCUIT BREAKER—30 AMP,THRM	1
21	057243 KEY,AUTOMATICS—FOR P/N 026584	1
22	R38021 O-RING—3.810ID,.139W	2
23	R50483 CHANNEL,RUBBER—RECYCLE BMPR	1

RECOMMENDED TOOLS FOR MAINTENANCE

Kent recommends the following tools be available to personnel who will be doing maintenance on ROBOKENT.

1. WRENCH SIZES (OPEN END AND BOX END)
1/4, 5/16, 11/32, 3/8, 7/16, 1/2, 9/16, 5/8, 11/16
2. ALLEN WRENCH SET WITH SIZES:
.050, 1/16, 5/64, 3/32, 7/64, 1/8, 9/64, 5/32, 3/16, 7/32, 1/4
3. 3/8 DRIVE RATCHET WITH SOCKETS:
1/4, 5/16, 3/8, 7/16, 1/2, 9/16, 5/8
4. NUT DRIVERS WITH THE FOLLOWING SIZES:
3/16, 1/4, 5/16, 11/32, 3/8, 7/16, 1/2
5. 8" ADJUSTABLE WRENCH
6. PHILIPS SCREW DRIVER SIZES
#0, #1, #2
7. FLAT BLADE SCREW DRIVER SIZES:
1/8, 3/16, 1/4
8. PLIERS
9. SMALL NEEDLE NOSE PLIERS
10. WIRE STRIPPER FOR 10 - 20 GAUGE WIRE
11. SMALL WIRE CUTTERS
12. SIDE CUTTERS
13. UTILITY KNIFE
14. FLASHLIGHT
15. SOLDERING IRON AND SOLDER
16. DE-SOLDERING TOOL
17. BUTT SPLICE CRIMPING TOOL "AMP SERVICE TOOL II"
18. AMP #455822-2 PIN REMOVAL TOOL
19. ELECTRICAL TAPE
20. MULTI METER

FINAL ASSEMBLY

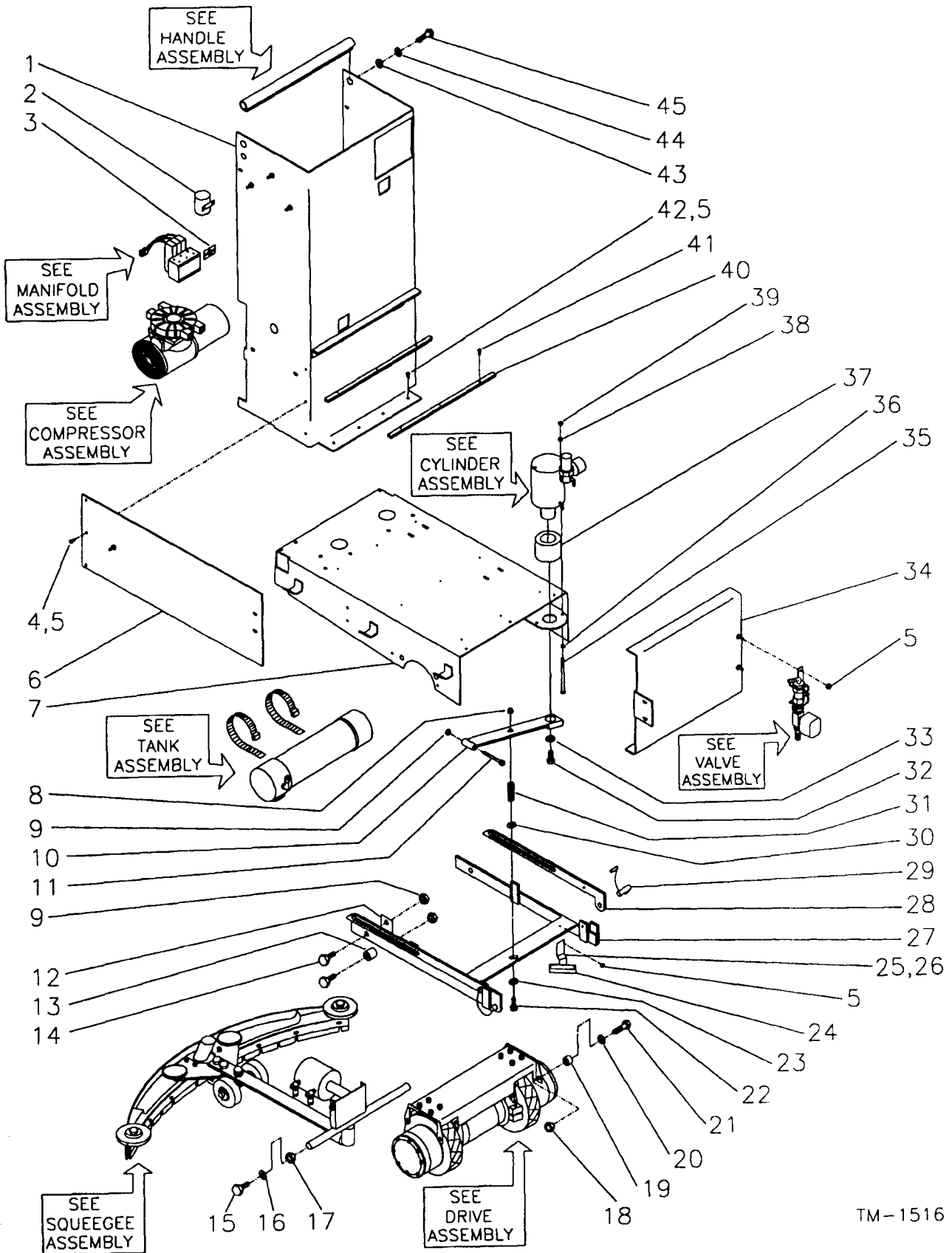


TM-1515

FINAL ASSEMBLY PARTS LIST

DET.	PART NO.	DESCRIPTION	QUANT.
1	R38008	SPEED POT	
1	R26163	TOUCH PAD SWITCH PANEL	1
2	R25060	ASM,CONTROL BOX,REAR—GRAY	1
3	001289	SCR MACH RD HD 10-24X.500L	6
4	004253	WSHR LK .204ID.410OD.025T EXT	22
5	222258	NUT,HEX—.250-20,SS	2
6	002278	WSHR LK .262ID.489OD.062TSPLT	2
7	005552	SCR CAP HEX HD .250-20X1.00L	2
8	224073	WSHR SEAL .250ID SS	2
9	R50226-24	PANEL,COVER—SIDE,GRAY	4
10	R01064	SCR, MACH FLT HD 1/4-20 X 2.75	8
11	R50506	LABEL,IDENT—KENT,GRAY	2
12	R50507	LABEL,IDENT—ROBOKENT	2
13	R01033	NUT HEX FLANGE—.250-20,LOCK	7
14	001366	SCR MACH PAN HD 10-32X.500L	16
15	004253	WSHR LK .204ID.410OD.025T EXT	22
16	R50503	PANEL,SIDE—MACH,LEFT,VERT	1
17	R50504	PANEL,SIDE—MACH,RIGHT,VERT	1
18	049376	CASTER—3.50DIA.,500-20 STEM	2
19	R50499	SKIRT,LEFT—MACH.BLUE;SCRUBBER	1
20	R50500	SKIRT,RIGHT—MACH.BLUE;SCRUBBR	1
21	004200	WSHR FLT,.156ID.310OD.065T BRS	6
22	004503	WSHR LK .109ID.250OD.015T EXT	6
23	223186	SCR MACH PAN HD 6-32X.375L	6
24	001288	SCR MACH FLAT HD 10-24X.500L	1
25	004443	WSHR LK .200ID.375OD.022T INT	1
26	048022	KNOB	1
27	R50219-24	BAR,STL—.19X1.25X14.0L,GRAY	1
28	R25061	ASM,SONAR BOX—FRONT-GRAY	1
29	005223	SCR CAP HEX HD .312-18X1.50L	2
30	004218	WSHR FLT .344ID.750OD.060T STL	4
31	004212	WSHR LK .326ID.586OD.078TSPLT	2
32	003349	NUT,HEX—.312-18,ZN PLT	5

LOWER CHASSIS ASSEMBLY

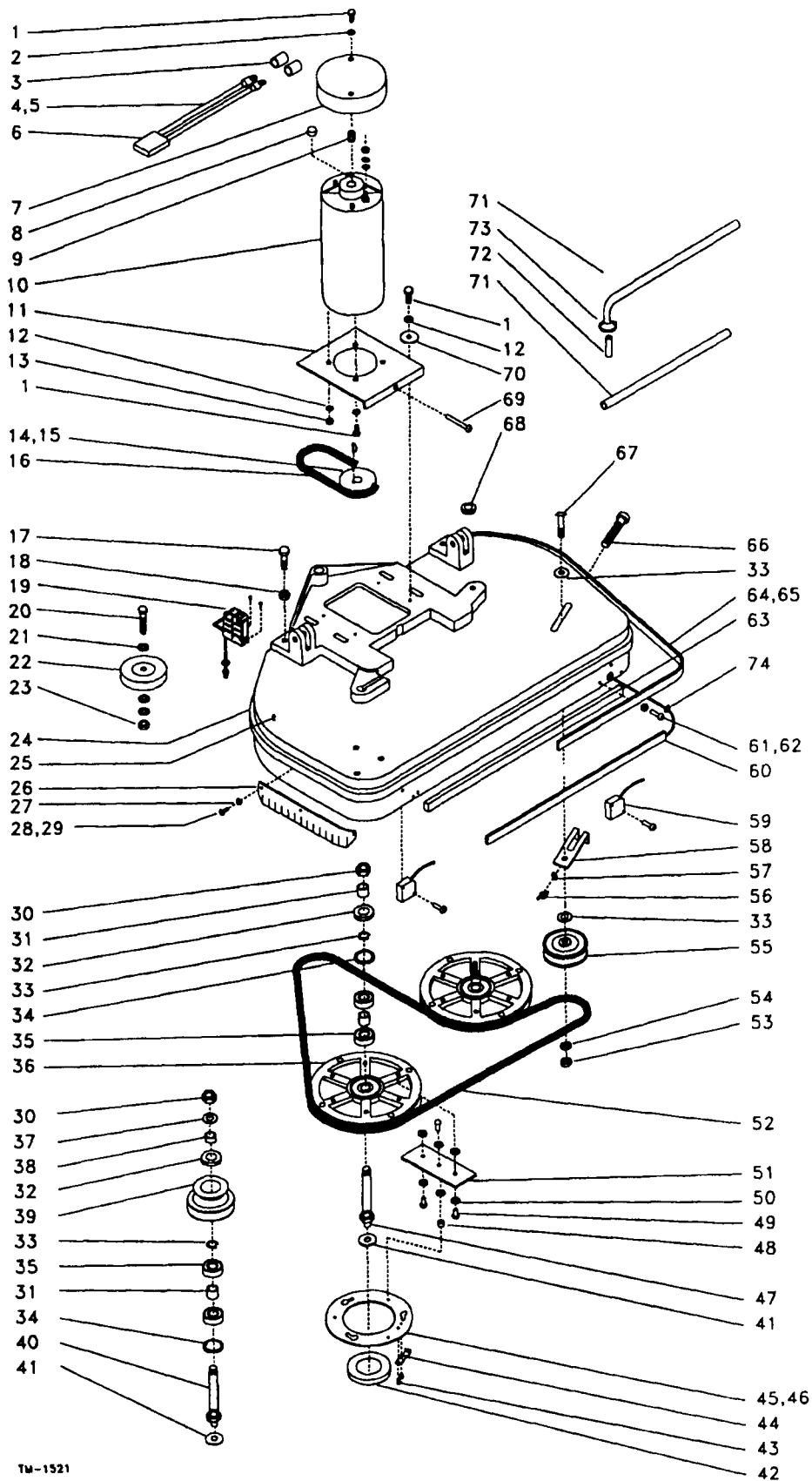


TM-1516

LOWER CHASSIS ASSEMBLY PARTS LIST

DET.	PART NO.	DESCRIPTION	QUANT.
1	R30061-24	WDMT,PANEL—REAR,GRAY	1
2	026450	SOLENOID	3
3	026651	CIRCUIT BREAKER—30 AMP,THRM	1
4	005267	SCR MACH FLAT HD .250-20X.625L	3
5	005479	NUT,HEX LOCK—.250-20,NYLOC,ZN	24
6	R30034-24	WDMT,BRKT—BATTERY STOP	1
7	R30004-24	WDMT,CHASSIS—LOWER	1
8	003368	NUT,HEX LOCK—.375-16,ZN PLT	4
9	003378	NUT,HEX LOCK—.312-18,ZN PLT	7
10	R30003	WDMT,ARM—ACTUATOR	1
11	R01029	SCR SHLDR HEX HD .38DIAX2.0L	1
12	R50035	BAR,STL—.25X1.00X2.50L	2
13	049377	SPACER,STL—.315ID,.50OD,.28L	4
14	002442	SCR CAP HEX HD .312-18X1.00L	4
15	003228	SCR CAP HEX HD .375-16X.875L	2
16	004214	WSHR LK .390ID.683OD.094TSPLT	6
17	003293	NUT,HEX—.375-16,ZN PLT	2
18	003368	NUT,HEX LOCK—.375-16,ZN PLT	4
19	R50081	SPACER,SS—.39 X.750, .50L	4
20	004318	WSHR FLT .375ID1.06OD.120T STL	4
21	001419	SCR CAP HEX HD .375-16X1.25L	1
22	005391	SCR CAP HEX HD .375-16X1.37L	2
23	005219	WSHR FLT .406ID1.00OD.071T STL	2
24	R50107	RUBBER,SQUEEGEE—.19X2.12X4.0L	1
25	R30040	ASM,PRE-SQUEEGEE,LEFT	1
26	R30041	ASM,PRE-SQUEEGEE,RIGHT	1
27	R30007	WDMT—BRUSH LIFT	1
28	R30005	WDMT,STL—RETRACTION BAR	2
29	033103	ASM,PIN—SLIDE LOCK	2
30	005219	WSHR FLT .406ID1.00OD.071T STL	2
31	R01011	SPRING,COMP .540D .750L .067WD	1
32	R01043	SCR CAP HEX HD .50-20X1.00L	1
33	050979	WSHR FLT .625ID1.25OD.120T STL	1
34	R30015-24	WDMT,PANEL—FRONT	1
35	001478	SCR CAP HEX HD .250-20X7.00L	2
36	224013	WSHR FLT .281ID.562OD.032T STL	4
37	R50078	ALUM,TUBE—2.50ODX.38WLX1.50L	1
38	002278	WSHR LK .262ID.489OD.062TSPLT	4
39	003283	NUT,HEX—.250-20,ZN PLT	4
40	R50117	BAR,NYLON—.25X.50 W/HOLES	3
41	001330	SCR MACH FLAT HD 10-24X.62 L	8
42	R01055	SCR MACH TRS HD .25-20X.75L P	7
43	004318	WSHR FLT .375ID1.06OD.120T STL	2
44	004444	WSHR LK .332ID.610OD.034T EXT	2
45	003243	SCR CAP HEX HD .312-18X.625L	2

BRUSH HEAD ASSEMBLY



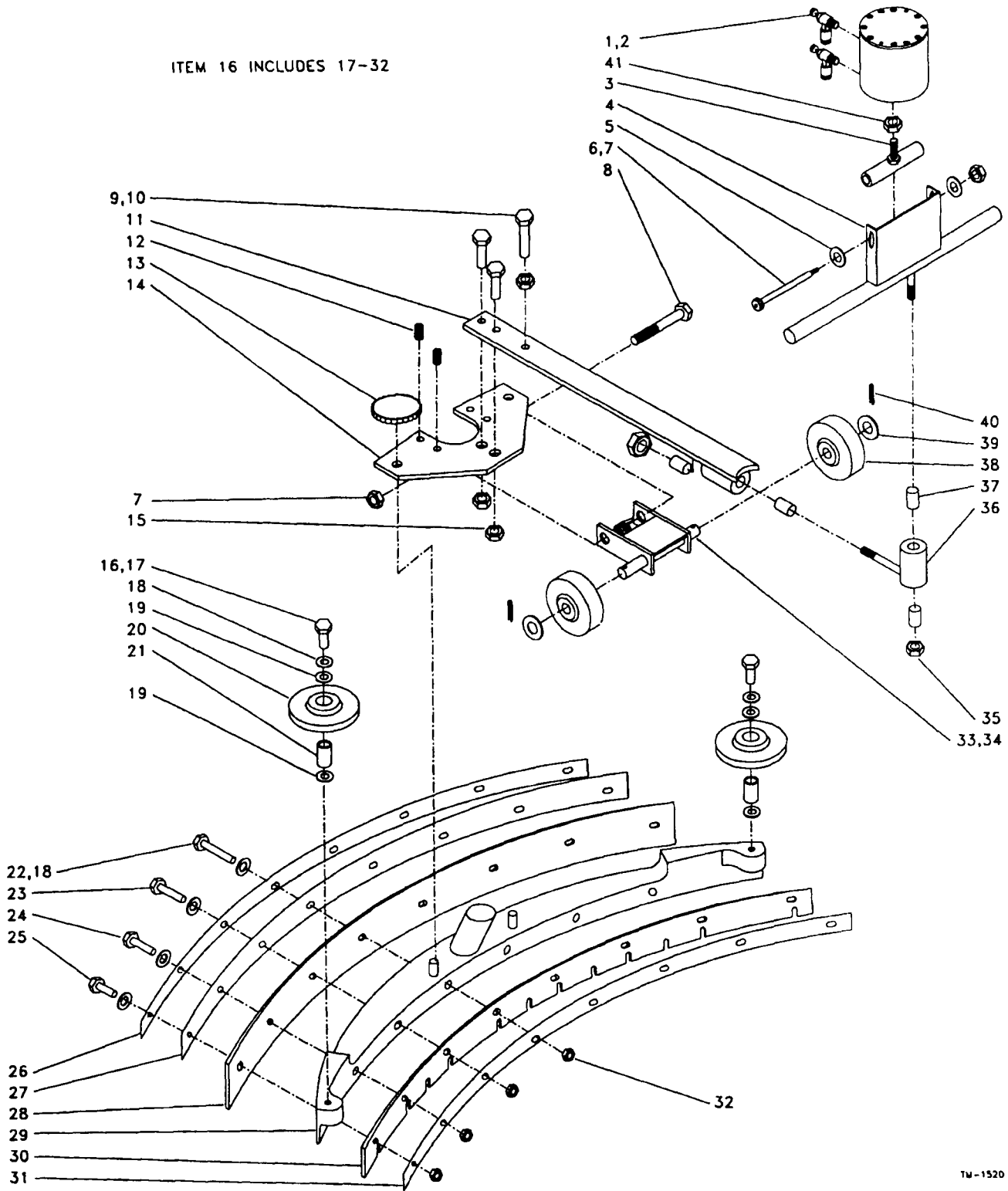
TM-1521

BRUSH HEAD ASSEMBLY PARTS LIST

DET.	PART NO.	DESCRIPTION	QUANT.	DET.	PART NO.	DESCRIPTION	QUANT.
1	003243	SCR CAP HEX HD .312-18X.625L	2	38	048608	SPACER,STL—.594X.750, .375L,Z	1
2	053293	WASHER,SEALING—.312 DIA,KA201	2	39	054494	PULLEY,DOUBLE—4L-MULTI-V	1
3	048607	TUBE,VINYL—.500X.750, 1.50L	2	40	048565	SHAFT-BRUSH DRIVE	2
4	026719	ASM,WIRE— 6GA,RED,18.0L,RING	1	41	050364	WSHR FLT .430ID1.200D.143T RUB	3
5	026720	ASM,WIRE— 6GA,BLK,18.0L,RING	1	42	046764	BRUSH SUPPORT	2
6	026573	CHARGER PLUG—ANDERSON CONNECT		43	004328	RIVET,TUBE—.141 DIA, .281L	4
7	053294	COVER,MOTOR—MACHINED,KA-201	1	44	046898	SPRING-RETAINING	2
8	050113	PLUG-MOTOR	1	45	032231	ASM,DRIVE—BRUSH,RIGHT	1
9	053290	STAND OFF-THRD,.312-18X.075L	2	46	032232	ASM,DRIVE—BRUSH,LEFT RING	1
10	024357	MTR,DC—24V,.750HP,1200RPM	1	47	R50119	SHAFT,STL—MODIFIED	1
11	049398	MOTOR PLATE	1	48	046425	SPACER,PHEN—.250X.437, .250L	6
12	004444	WSHR LK .332ID.610OD.034T EXT	8	49	004326	RIVET,TUBE—.250 DIA, .719L	18
13	003349	NUT,HEX—.312-18,ZN PLT	2	50	005373	WSHR FLT .281ID.625OD.062T STL	18
14	002291	SCR SET CUP PT .312-18X.312L	1	51	049631	STRAP-BRUSH RING	6
15	052903	PULLEY,GRVD—10 GRV,1.630 PD	1	52	046788	BELT,DOUBLE-V—62.1 PITCH,AA60	1
16	054498	BELT,V—10V'S,17.00" PL	1	53	003368	NUT,HEX LOCK—.375-16,ZN PLT	1
17	001419	SCR CAP HEX HD .375-16X1.25L	2	54	004225	WSHR FLT .406ID1.000D.036T STL	1
18	003438	NUT,HEX JAM—.375-16,SST	2	55	053409	ASM,PULLEY&BRG—BRUSH HEAD	1
19	R30130	ASM, JOG DETECTOR—SCRUBBER	1	56	222256	NUT,WING—.250-20,SS	1
20	002324	SCR CAP HEX HD .375-16X1.75L	1	57	004254	WSHR LK .267ID.510OD.028T EXT	1
21	004223	WSHR FLT .406ID.625OD.036T STL	3	58	054268	BRACKET,ANGLE—.59X4.0X1.12,SS	1
22	049261	WHEEL—3.00DIA,.380BORE,.875HB	1	59	R26003	SENSOR—PHOTOELECTRIC, 20A	2
23	005279	NUT,HEX LOCK—.375-16,NYLOC	1	60	R26134	SWITCH,TAPE—17"L W/60"LEADS	1
24	R50234	CHANNEL,RUBBER—57.50"L	1	61	001507	SCR MACH FLAT HD 6-32X.875L	17
25	R50132	HEAD,BRUSH—MACHINED,KA-262BR	3	62	003361	NUT,HEX LOCK— 6-32,NYLOC	17
26	R50047	GUARD,SPLASH—.125X2.75X13.50L	2	63	R50235	CHANNEL,RUBBER—18"	1
27	005407	WSHR FLT .203ID.562OD.045T STL	6	64	R26006	SWITCH,TAPE—32"SW/70"LEAD	1
28	001242	SCR MACH RD HD 6-32X.625L	6	65	R26087	SWITCH,TAPE—27"L W/24"LEADS	1
29	003361	NUT,HEX LOCK— 6-32,NYLOC	6	66	002283	SCR CAP SOC HD .250-20X2.50L	1
30	003367	NUT,HEX LOCK—.500-20,ZN PLT	3	67	002336	BOLT,SQ NECK—.375-16X1.75L	1
31	048566	SPACER,STL—.598X.750, .610L,Z	5	68	055372	GASKET,FOAM—INLET,3.00X3.00	1
32	027218	SHAFT SEAL	3	69	003215	SCR MACH RD HD .312-18X2.00L	1
33	048587	RING,RTNG—INT,1.37 CYL,N5000	3	70	004427	WSHR FLT .344ID1.250D.120T STL	4
34	224021	WSHR FLT 1.06ID1.37OD.015T STL	5	71	R50277	TUBE,CLEAR—.19ID X .31OD X 2"	2
35	027188	BRG,BALL—.591ID,1.378OD,.433W	6	72	046952	WATER TUBE-ROLL PIN	1
36	048575	PULLEY,GRVD—4L,8.00PD,W/HOLES	2	73	E46713-1	TIE-CABLE—3.62" LONG	2
37	004238	WSHR FLT .531ID1.00OD.071T STL	2	74	049570	GROM—.187ID,.375MHD,.187PA	2

SQUEEGEE ASSEMBLY

ITEM 16 INCLUDES 17-32

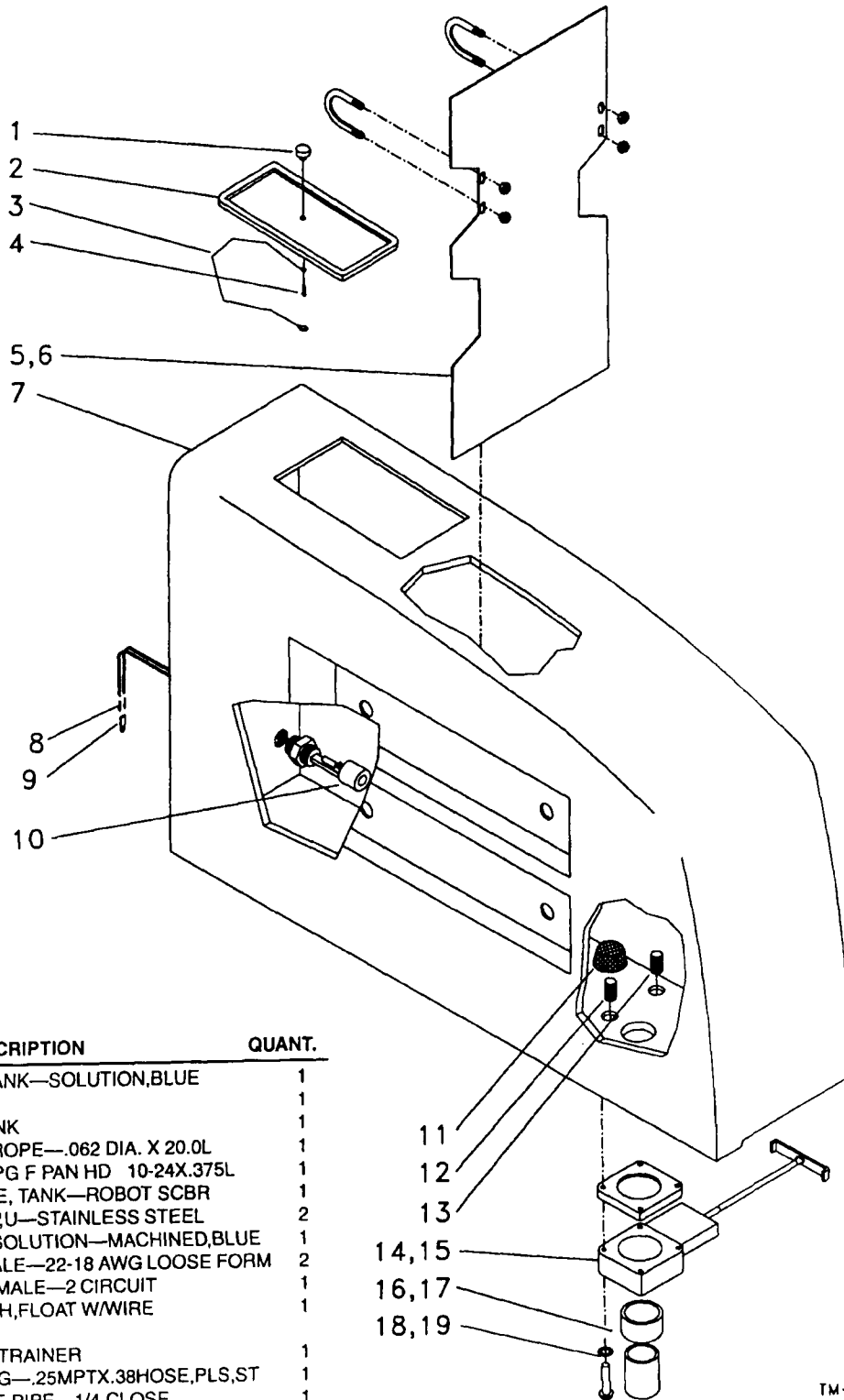


TW-1520

SQUEEGEE ASSEMBLY PARTS LIST

DET.	PART NO.	DESCRIPTION	QUANT.
1	R50023	VALVE,RELIEF—	2
2	R50016	CYLINDER,AIR—2"BR 2"STR FAB	1
3	R30023	WDMT,STL—SQUEEGEE CYLINDR ARM	1
4	R30022	WDMT,SQUEEGEE PIVOT	1
5	005320	WSHR FLT .406ID.750OD.060T STL	2
6	R01019	SCR SHLDR HEX HD .38X4.0L,STD	1
7	003378	NUT,HEX LOCK—.312-18,ZN PLT	2
8	003255	SCR CAP HEX HD .312-18X3.50L	1
9	003262	SCR CAP HEX HD .375-16X1.00L	3
10	003294	NUT,HEX JAM—.375-16,ZN PLT	1
11	R30019	WDMT,STL—SQUEEGEE SPRING BAR	1
12	002438	SCR SET CUP PT .375-16X.500L	4
13	047484	KNOB	2
14	034171	WDMT,PLATE—SQUEEGEE	1
15	003368	NUT,HEX LOCK—.375-16,ZN PLT	2
16	034501	ASM,SQUEEGEE—26 AUTO,NARROW	1
17	003246	SCR CAP HEX HD .312-18X1.00L	2
18	004212	WSHR LK .326ID.586OD.078TSPLT	2
19	004218	WSHR FLT .344ID.750OD.060T STL	12
20	053720	WHEEL—4.00DIA,.438BORE,.688HB	2
21	053669	TUBE,STL—1.062ODX.795IDX9.00L	2
22	001500	SCR CAP HEX HD .250-20X3.50L	2
23	002456	SCR CAP HEX HD .250-20X3.00L	2
24	002455	SCR CAP HEX HD .250-20X2.50L	2
25	002454	SCR CAP HEX HD .250-20X1.50L	2
26	054560	BAR,STL—.125X1.00,34.14 LONG	1
27	054559	RUBBER,BACKUP—.125X2.00,34.4L	1
28	054558	RUBBER,SQUEEGEE—.187X2.75,35L	1
29	054554	CASTING,SQUEEGEE—26 AUTO,HV	1
30	054557	RUBBER,SQUEEGEE—.125X1.75,33L	1
31	054556	BAR,STL—.125X1.00,31.31 LONG	1
32	005591	NUT,SELF RETAINING—.250-20	8
33	E36649	SPRING,TRSN .791D 1.09L .106WD	1
34	034172	WDMT,BRACKET—SQUEEGEE WHEEL	1
35	003370	NUT,HEX LOCK—.500-13,ZN PLT	2
36	034173	WDMT,PIVOT—SQUEEGEE	1
37	027171	BRG,SLV—.500ID,.625OD,.750W	4
38	049261	WHEEL—3.00DIA,.380BORE,.875HB	2
39	004223	WSHR FLT .406ID.625OD.036T STL	2
40	005383	PIN,COTTER—.094X1.000 LONG	2
41	003437	NUT,HEX JAM .500-20,SS	1

SOLUTION TANK ASSEMBLY

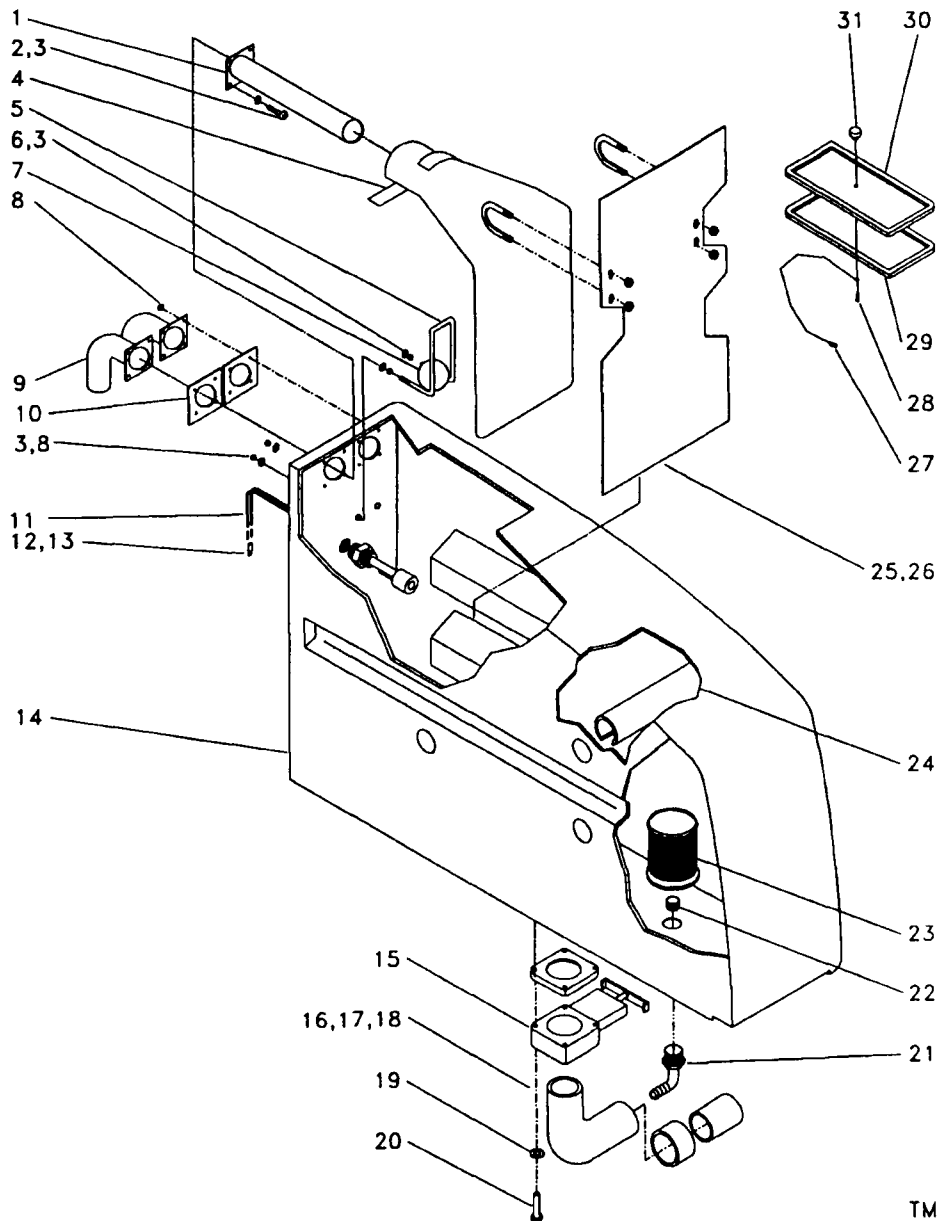


DET.	PART NO.	DESCRIPTION	QUANT.
	R30159	ASM,TANK—SOLUTION,BLUE	1
1	048022	KNOB	1
2	049390	LID-TANK	1
3	053547	WIRE ROPE—.062 DIA. X 20.0L	1
4	005316	SCR TPG F PAN HD 10-24X.375L	1
5	R50467	BAFFLE, TANK—ROBOT SCBR	1
6	R50469	CLAMP,U—STAINLESS STEEL	2
7	R50497	TANK,SOLUTION—MACHINED,BLUE	1
8	R26076	PIN,MALE—22-18 AWG LOOSE FORM	2
9	R26067	PLUG,MALE—2 CIRCUIT	1
10	057002	SWITCH,FLOAT W/WIRE	1
11	048848	LINE STRAINER	1
12	R01053	FITTING—.25MPTX.38HOSE,PLS,ST	1
13	040129	NIPPLE,PIPE—1/4,CLOSE	1
14	R50463	VALVE,SLIDE—RECOVERY TANK	1
15	R50462	ROD,ALUM.—VALVE HANDLE EXT.	1
16	R50177	SPACER,PLSTC—1.67X1.75X.63L	1
17	055659	FITTING,REDUCER—PVC,18"EXTR	1
18	005323	WSHR FLT .203ID.500OD.036T STL	4
19	001418	SCR MACH RD HD 10-32X1.50L	4

TM-1524

TM-1524

RECOVERY TANK ASSEMBLY

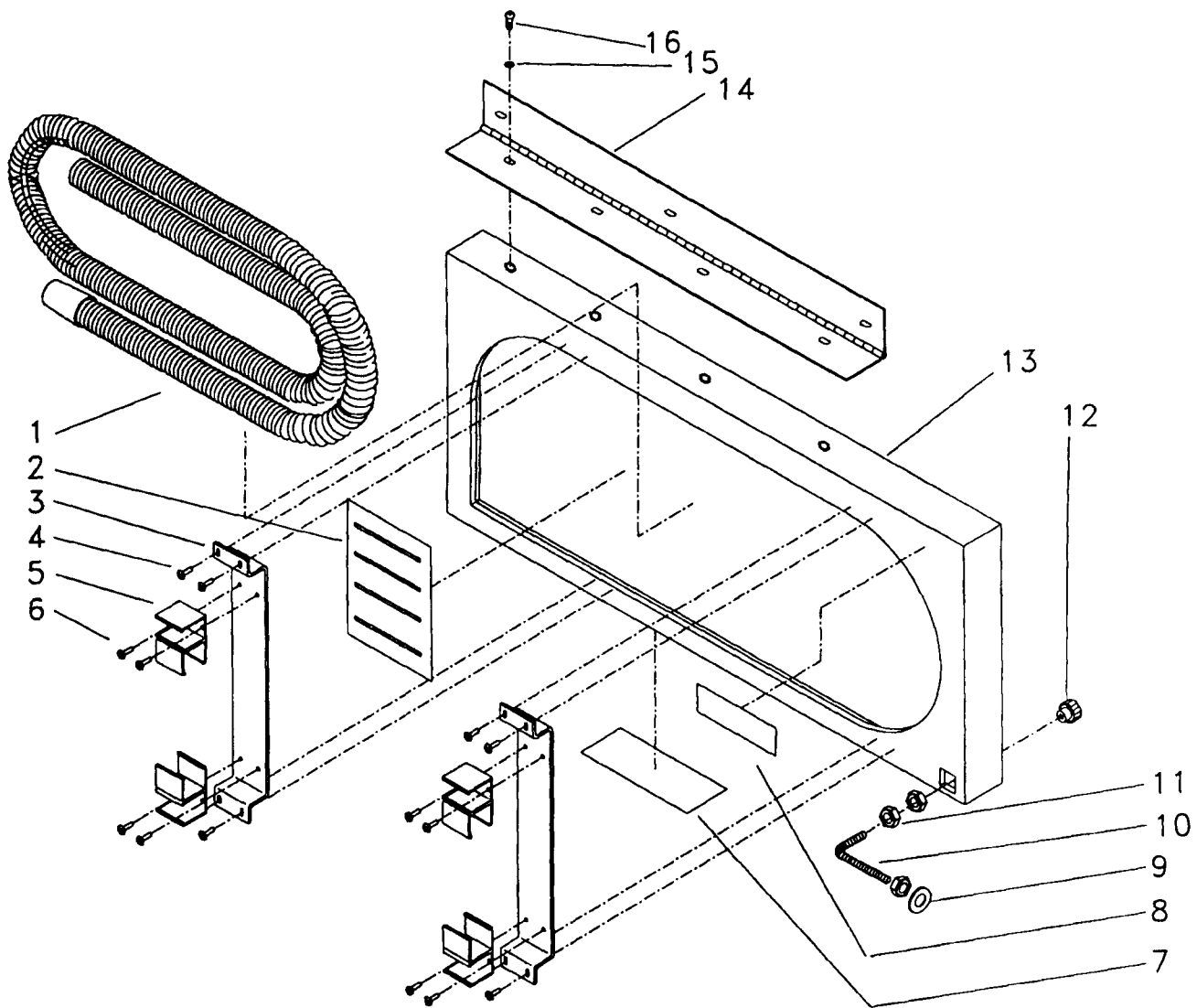


TM-1525

DET.	PART NO.	DESCRIPTION	QUANT.	DET.	PART NO.	DESCRIPTION	QUANT.
	R30158	ASM,TANK—RECOVERY,BLUE	1	16	053904	ELBOW,PIPE—1-1/2", 90DEG,WHT	1
1	R30000	WDMT,INLET—REC TANK	1	17	R50177	SPACER,PLSTC—1.67X1.75X.63L	1
2	005457	SCR MACH PAN HD 10-24X1.00L	8	18	055659	FITTING,REDUCER—PVC,18"EXTR	1
3	224074	WSHR SEAL .203ID SS	12	19	005323	WSHR FLT .203ID.500OD.036T STL	4
4	056185	FILTER,SOCK—150MICRON,5"OPEN	1	20	001418	SCR MACH RD HD 10-32X1.50L	4
5	R50009	CAGE,TRAP—	1	21	056231	ELBOW,PLSTC—1/2 MPTX1/2HS	1
6	003406	NUT,HEX— 10-24,SS	2	22	R01054	FITTING,NIPPLE—.50 MPT,CL,BRS	1
7	049388	BALL,FLOAT	1	23	056235	FILTER,RECYCLE—1/2NPT	1
8	005480	NUT,HEX LOCK— 10-24,NYLOC	10	24	R50470	SLEEVE, SUPPORT—RECOVERY TANK	2
9	032542	ASM,ELBOW—INLET-TOP	2	25	R50467	BAFFLE, TANK—ROBOT SCBR	1
10	048257	GASKET-INLET ELBOW	2	26	R50469	CLAMP,U—STAINLESS STEEL	2
11	057002	SWITCH,FLOAT WWIRE	1	27	053547	WIRE ROPE—.062 DIA. X 20.0L	1
12	R26067	PLUG,MALE—2 CIRCUIT	1	28	005316	SCR TPG F PAN HD 10-24X.375L	1
13	R26076	PIN,MALE—22-18 AWG LOOSE FORM	1	29	049443	GASKET-LID	1
14	R50496	TANK,RECOVERY—MACHINED,BLUE	1	30	049390	LID-TANK	1
15	R50463	VALVE,SLIDE—RECOVERY TANK	1	31	048022	KNOB	1

TM-1525

LEFT HORIZONTAL PANEL ASSEMBLY

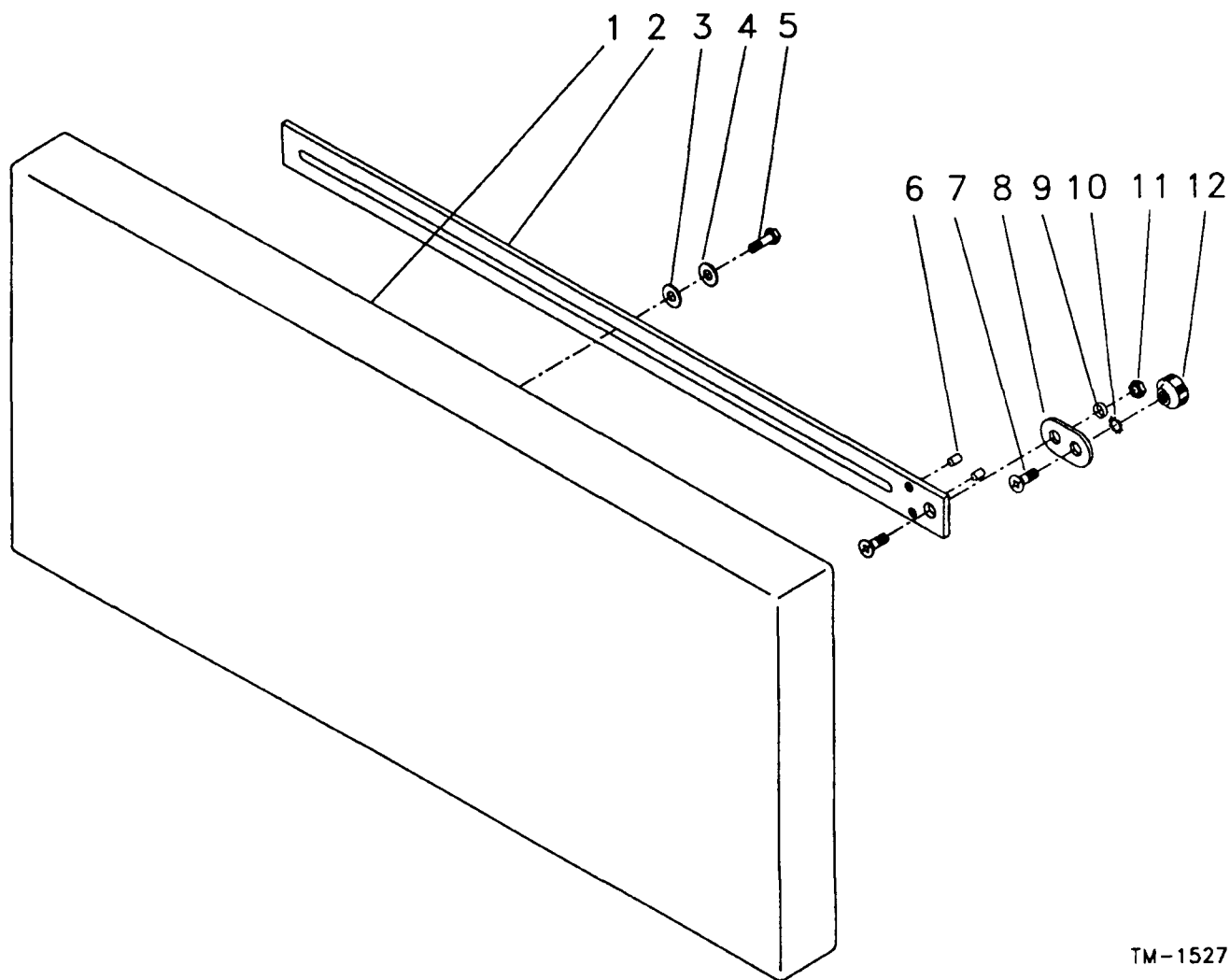


TM-1528

DET.	PART NO.	DESCRIPTION	QUANT.
	R30157	ASM,PANEL—HORIZONTAL,LFT,GRAY	1
1	R30121	ASM DUMP HOSE—1.25 DIA X 10'L	1
2	R50249	LABEL—DAILY CHECKLIST	1
3	R50439-24	BRKT,ALUM—DUMP HOSE MOUNT	2
4	223016	SCR TPG TYPE AB RD HD 8X.750L	8
5	039229	RETAINER,CREVICE TOOL—UPPER	4
6	002402	SCR MACH PAN HD 8-32X.375L	8
7	R50203	LABEL—SIDE DOOR,NO LEAN DOOR	1
8	R50202	LABEL—DUMP VALVES,CLEAN-DIRTY	1
9	004444	WSHR LK .332ID.610OD.034T EXT	1
10	R50251	ROD,THRD—.31-18,90DEG.2.0X3.0	1
11	003349	NUT,HEX—.312-18,ZN PLT	3
12	R50252	KNOB,PLSTC—.31-18 BRS INSERT	1
13	R50508	PANEL,SIDE—MACH.LEFT,HOR	1
14	R50220-24	HINGE,21"L—GRAY	1
15	004253	WSHR LK .204ID.410OD.025T EXT	4
16	001366	SCR MACH PAN HD 10-32X.500L	4

TM-1528

RIGHT HORIZONTAL PANEL ASSEMBLY

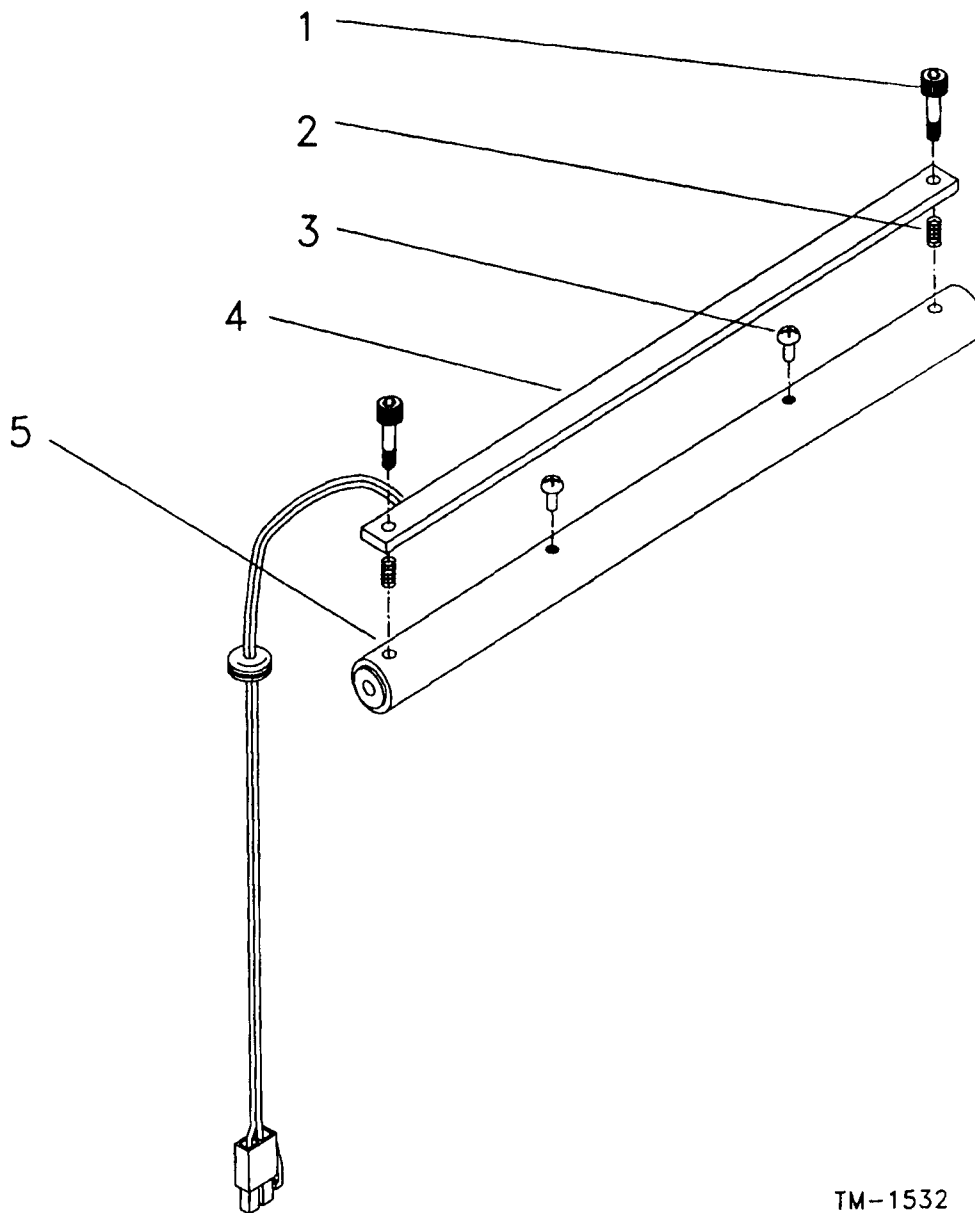


TM-1527

DET.	PART NO.	DESCRIPTION	QUANT.
	R30156	ASM,PANEL—HORIZONTAL,RHT,GRAY	1
1	R50505	PANEL,SIDE—MACH.RIGHT,HOR	1
2	R50216-24	BAR,STL—.187X1.25X24.0L,GRAY	1
3	005526	WSHR FLT .281ID1.25OD.063T STL	2
4	E49043	WSHR SPR TNSN .345ID.562OD.010	2
5	002254	SCR CAP HEX HD .250-20X.875L	2
6	222621	PIN,ROLL—.250 DIA, .375L	2
7	001288	SCR MACH FLAT HD 10-24X.500L	2
8	R50217-24	PLATE,STL—CAM,GRAY	1
9	R50173	SPACER,STL—.212X.314, .135L	1
10	004443	WSHR LK .200ID.375OD.022T INT	1
11	005480	NUT,HEX LOCK— 10-24,NYLOC	1
12	048022	KNOB	1

TM-1527

HANDLE BAR ASSEMBLY

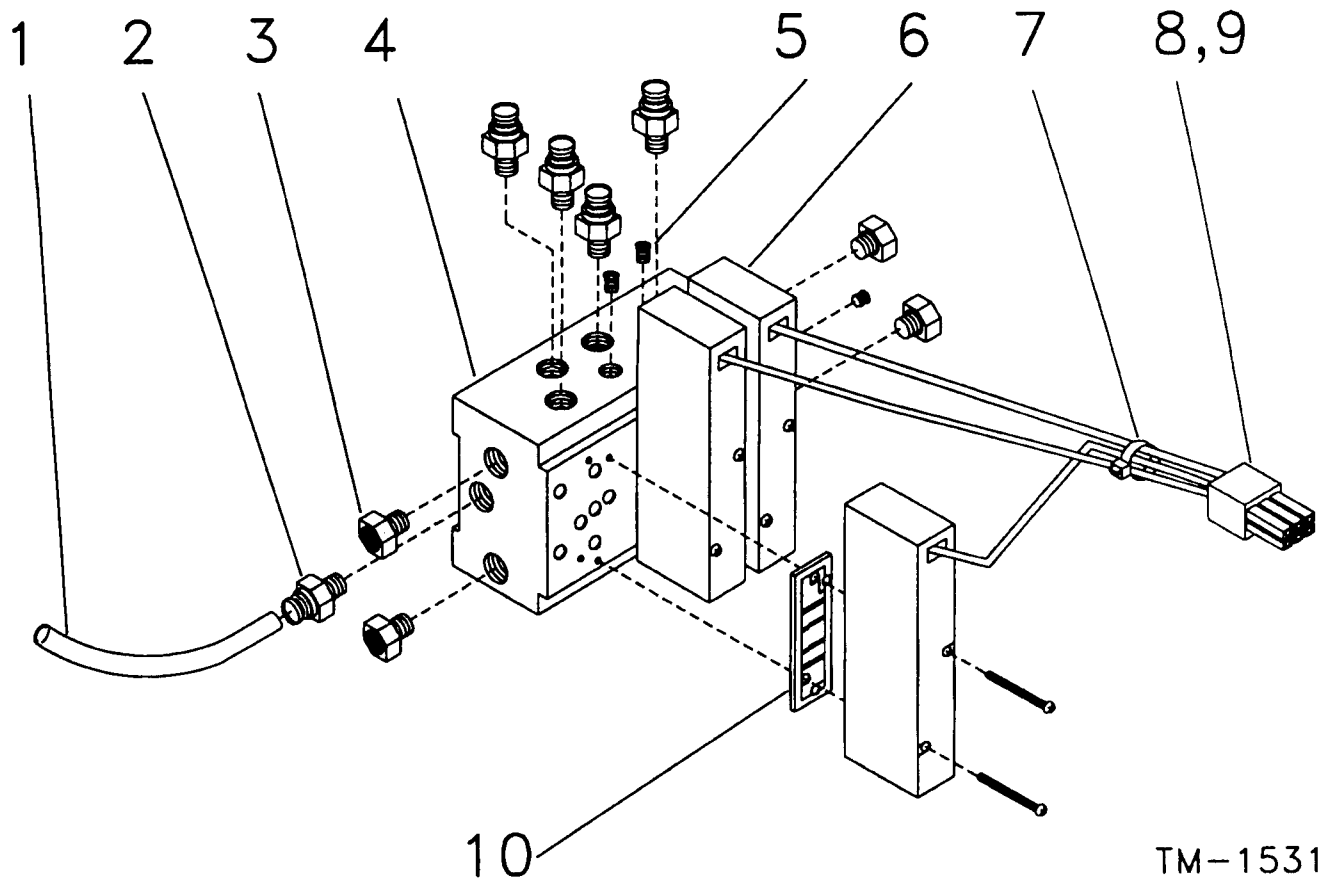


TM-1532

DET.	PART NO.	DESCRIPTION	QUANT.
	R30145	ASM,HANDLE/CONTROL BAR, GRAY	1
1	002433	SCR SHLDR SOC HD .250X.500L	2
2	4650752000	SPRING,COMP .360D .531L .037WD	2
3	001456	SCR MACH PAN HD 6-32X.250L	2
4	R25072	ASM,SWITCH—TRIGGER,GRAY	1
5	R50214-24	BAR,ALUM—1.25ODX15.22L,GRAY	1

TM-1532

PNEUMATIC MANIFOLD ASSEMBLY

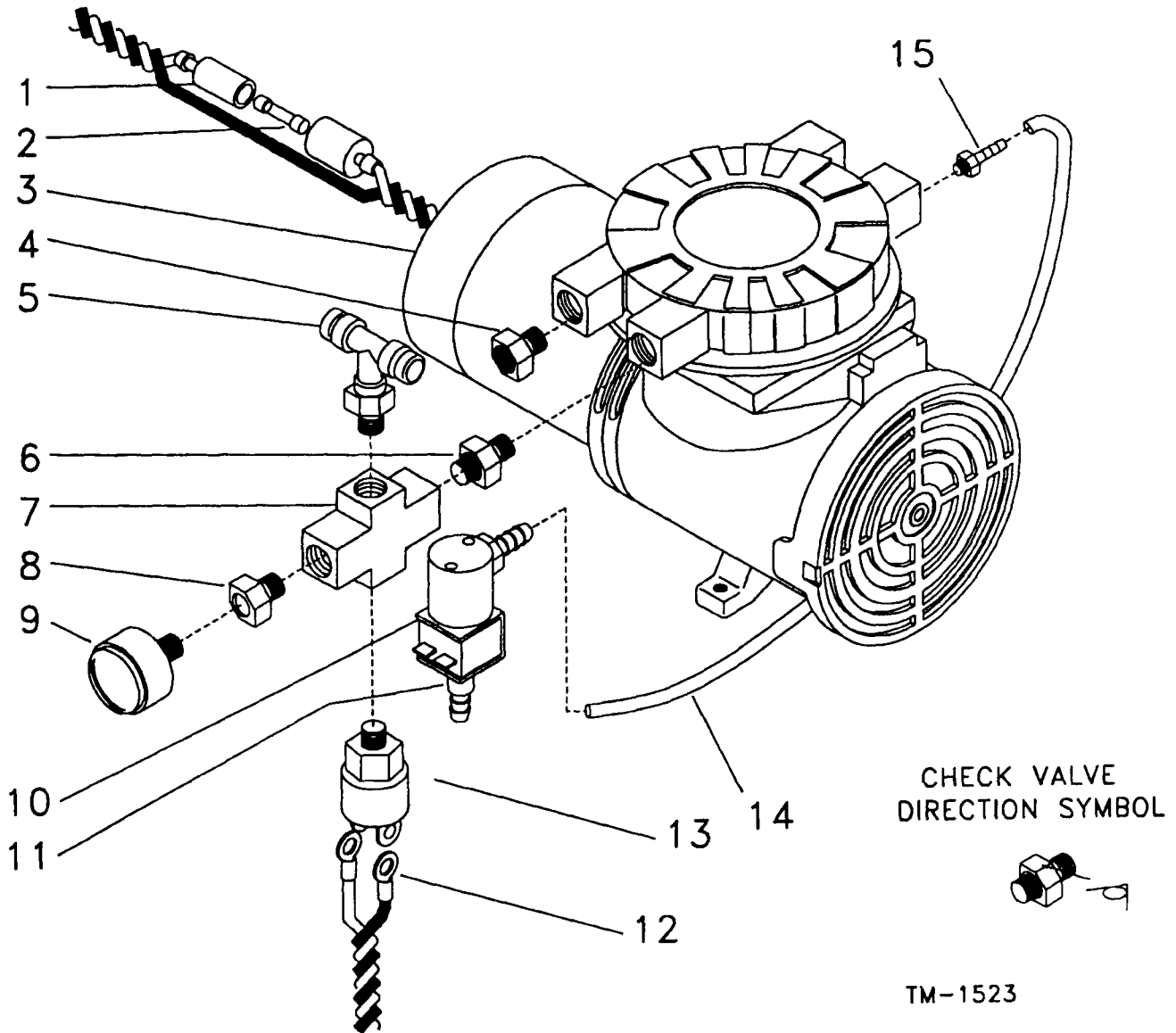


TM-1531

DET.	PART NO.	DESCRIPTION	QUANT.
	R30018	ASM,PNEUMATIC MANIFOLD—	1
1	R50061	HOSE,PNEUMATIC—6"	1
2	R01004	FITTING—QUICK DISCONNECT	5
3	R01005	MUFFLER,AIR—	4
4	R50017	MANIFOLD,AIR—BLOCK	1
5	R01009	PLUG—SLOT SCREW,.125	3
6	R50018	VALVE,AIR—24VDC	3
7	047085	STRAP,TIE,ELEC—5.50L,NYLON	1
8	R26076	PIN,MALE—22-18 AWG LOOSE FORM	6
9	R26088	PLUG,MALE—6 CIRCUIT	1

TM-1531

AIR COMPRESSOR ASSEMBLY

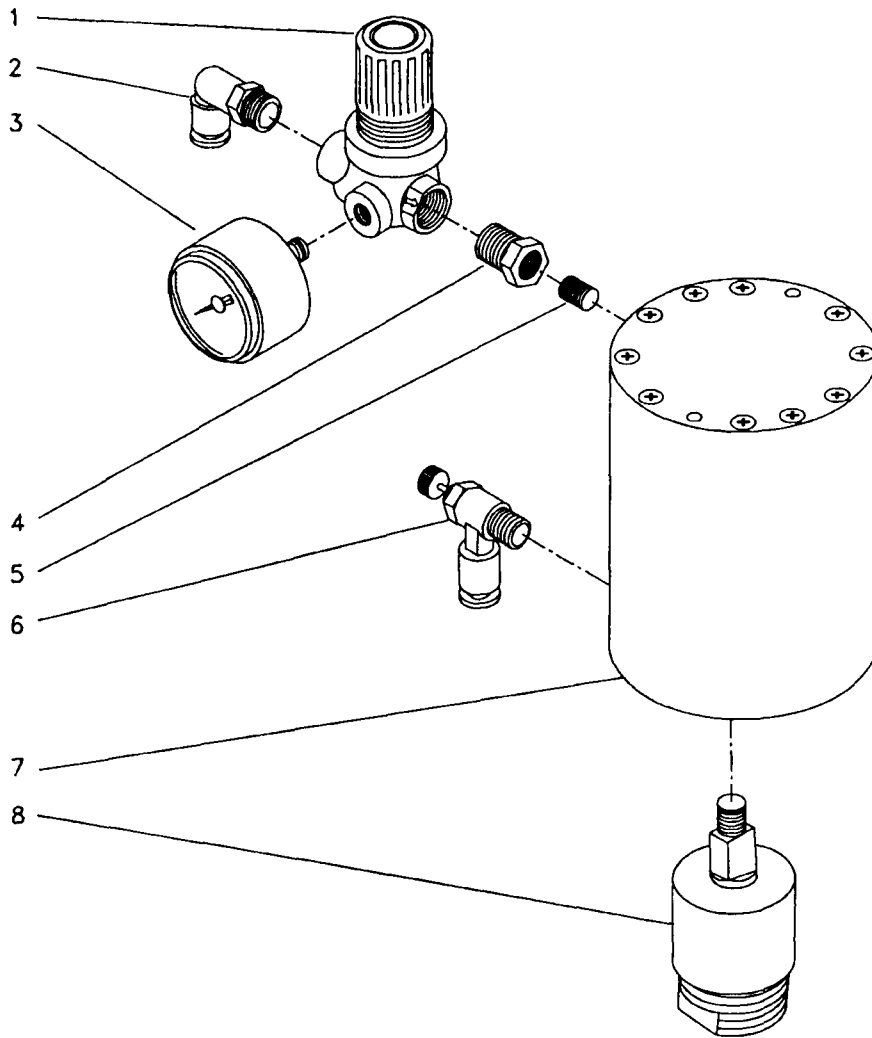


TM-1523

DET.	PART NO.	DESCRIPTION	QUANT.
	R30017	ASM,COMPRESSOR—AIR	1
1	R26096	HOLDER,FUSE—IN-LINE,18-12 AWG	1
2	R26129	FUSE—8A, SLOW BLOW	1
3	R01001	COMPRESSOR,AIR—24VDC	1
4	R01006	BREATHER—VENT,.250 NPT	1
5	R01007	FITTING,BRANCH TEE—BRS	1
6	R01013	VALVE,CHECK—.250 NPT	1
7	R01014	FITTING,4 WAY—BRS	1
8	R01015	FITTING,RDCR—.25NPT,.13NPT	1
9	R01016	GAUGE,AIR—.125 NPT	1
10	R26074	VALVE,AIR—SOLENOID,24VDC	1
11	R01035	ADPTR,BRS—.13MPTX.13 HOSE	1
12	R25046	ASM, WIRE—COMPRESSOR	1
13	R26170	SWITCH—PRESSURE 60PSI-100PSI	1
14	R50059	HOSE,PNEUMATIC—20"	1

TM-1523

BRUSH HEAD CYLINDER ASSEMBLY

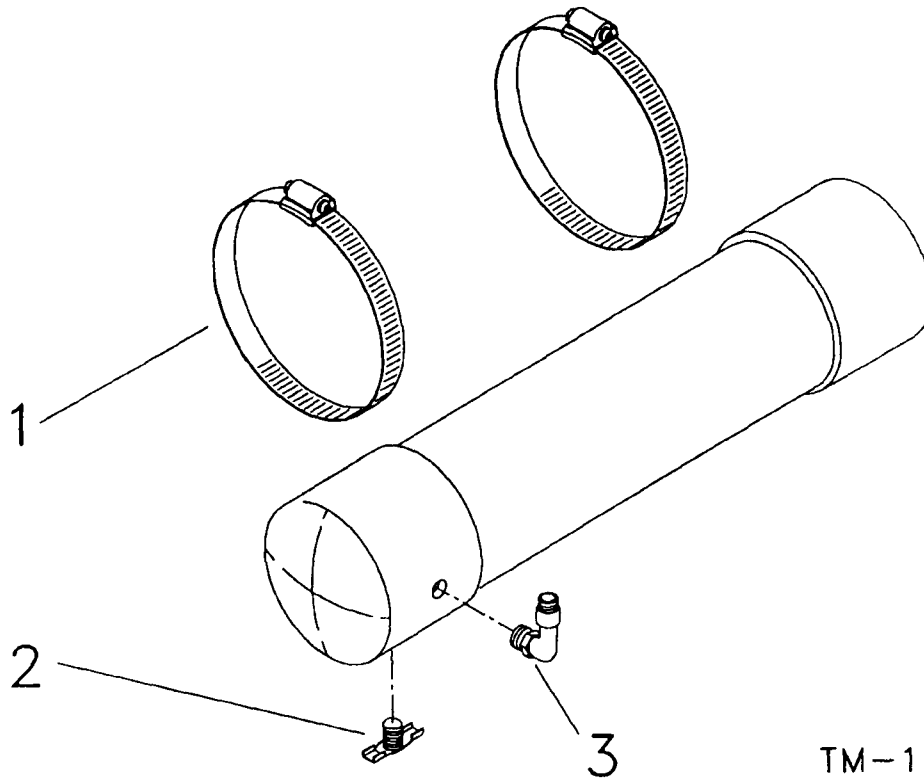


TM-1517

DET.	PART NO.	DESCRIPTION	QUANT.
	R30024	ASM,CYLINDER—BRH HD	1
1	R50077	REGULATOR,AIR—0-30 PSI	1
2	R01025	FITTING,QD—.25OD,.25MPT,90DEG	1
3	R01021	GAGE,AIR—.13MPT,0-60 PSI	1
4	R01015	FITTING,RDCR—.25NPT,.13NPT	1
5	R01022	FITTING,NIPPLE—.13MPTX.75L	1
6	R50023	VALVE,RELIEF—	1
7	R50024	CYLINDER,AIR—2"BORE,3"STROKE	1
8	R01010	PIVOT,CYL—.50-20THRD,2DEG	1

TM-1517

AIR TANK ASSEMBLY

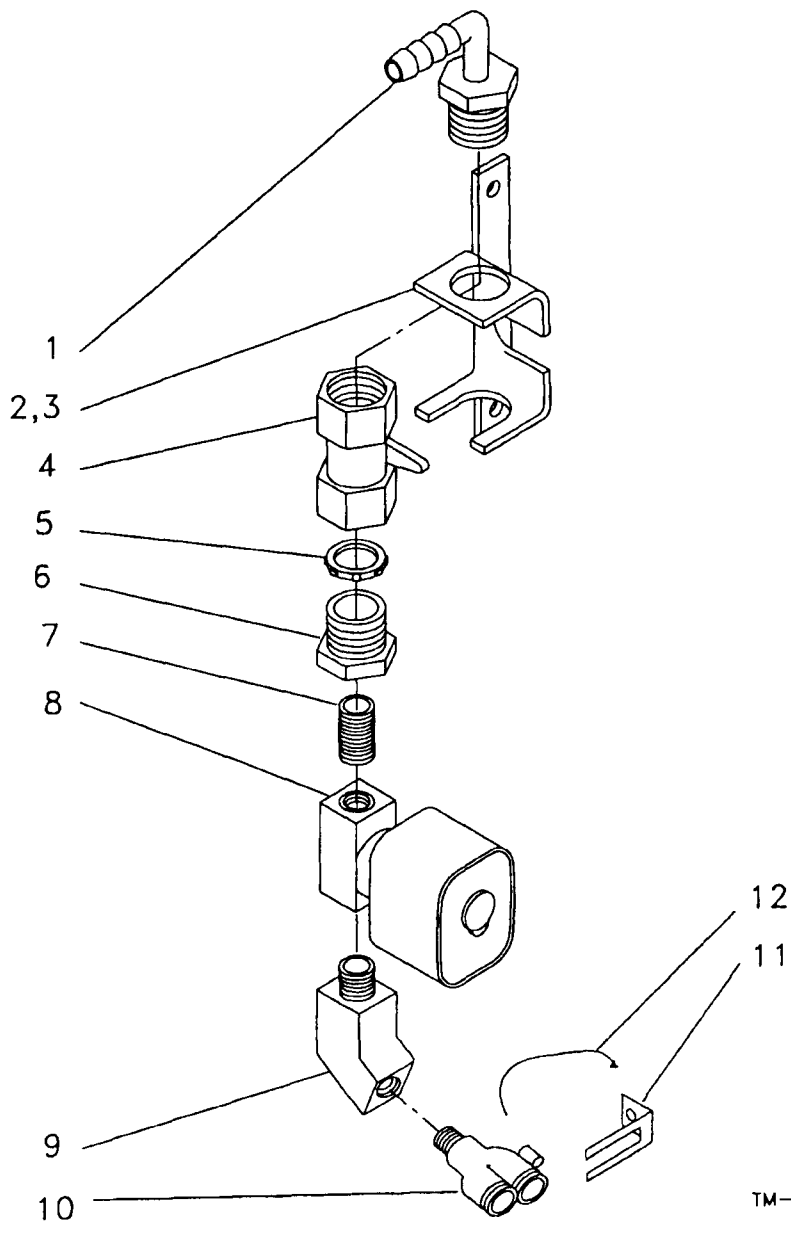


TM-1529

DET.	PART NO.	DESCRIPTION	QUANT.
	R30009	ASM, TANK—PVC, 4" DIA, 14.88L	1
1	053268	CLAMP, HOSE—4.50 MAX DIA, WORM	2
2	R01026	FITTING, DRAIN—.250MPT, BRS	1
3	R01025	FITTING, QD—.25OD, .25MPT, 90DEG	1

TM-1529

WATER VALVE ASSEMBLY

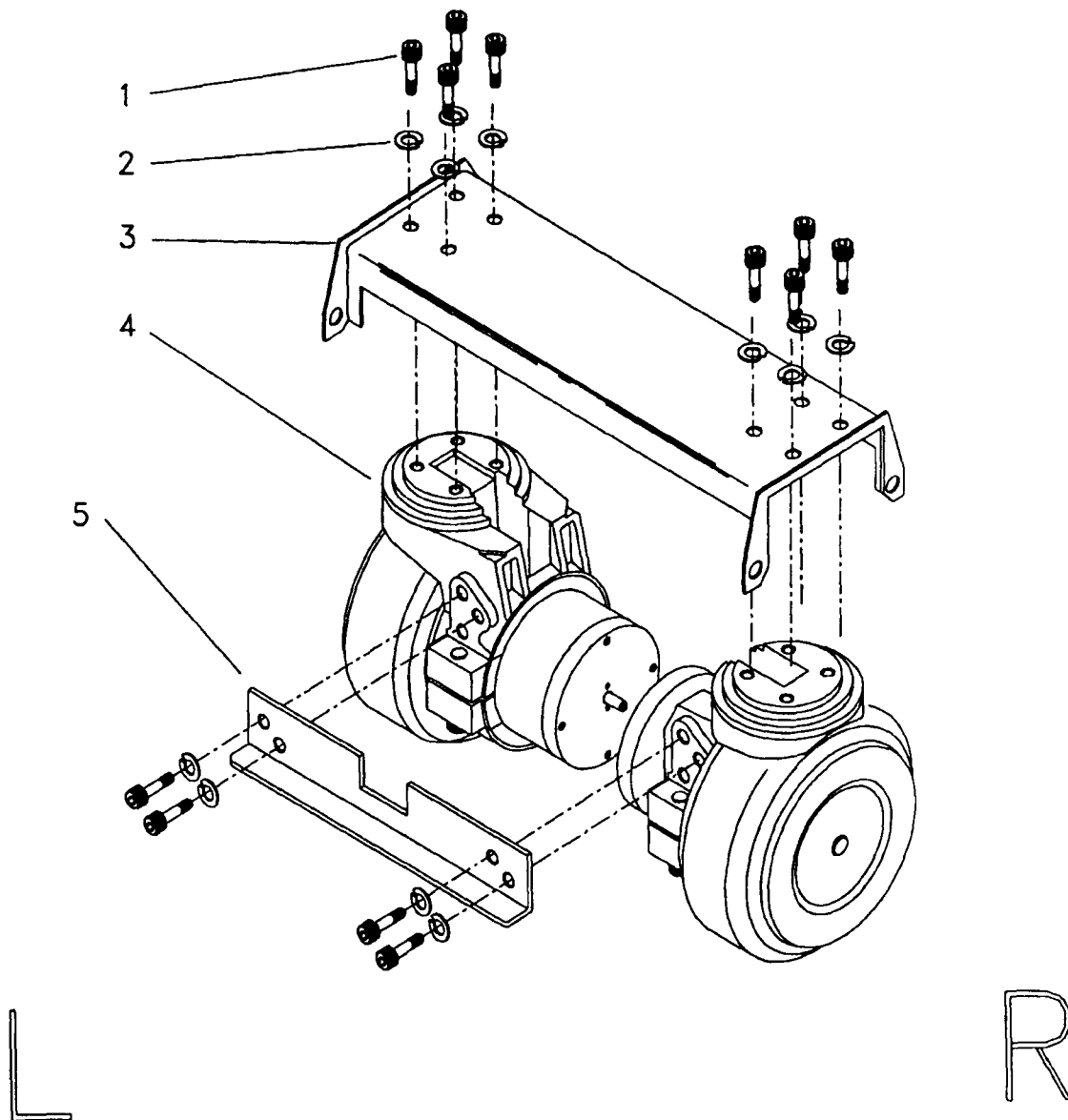


TM-1522

DET.	PART NO.	DESCRIPTION	QUANT.
	R30035	ASM, VALVE—WATER	1
1	006136	ELBOW, PIPE—1/2 MPTX3/8HS, PVC	1
2	R50105	BRKT, ALUM—WATER SOLENOID	1
3	R50180	LABEL—WATER FLOW, ROBOSCRUBBER	1
4	049391	WATER VALVE	1
5	006108	NUT, SPECIAL—.500 PIPE, HEX LOC	1
6	006104	BSHG, PIPE—1/2 MPTX1/4 IPT, BRS	1
7	040129	NIPPLE, PIPE—1/4, CLOSE	1
8	R30038	ASM, SOLENOID—WATER VALVE	1
9	E49835	ELBOW, STREET—45DEG., 250NPT, BR	1
10	R01058	FITTING—.25-20 W/.31 HOSE QD	1
11	R50278-24	CLIP, HOSE—QUICK CONNECT	1
12	R01060	STRAP, TIE, ELEC—5"L	1

TM-1522

DRIVE ASSEMBLY

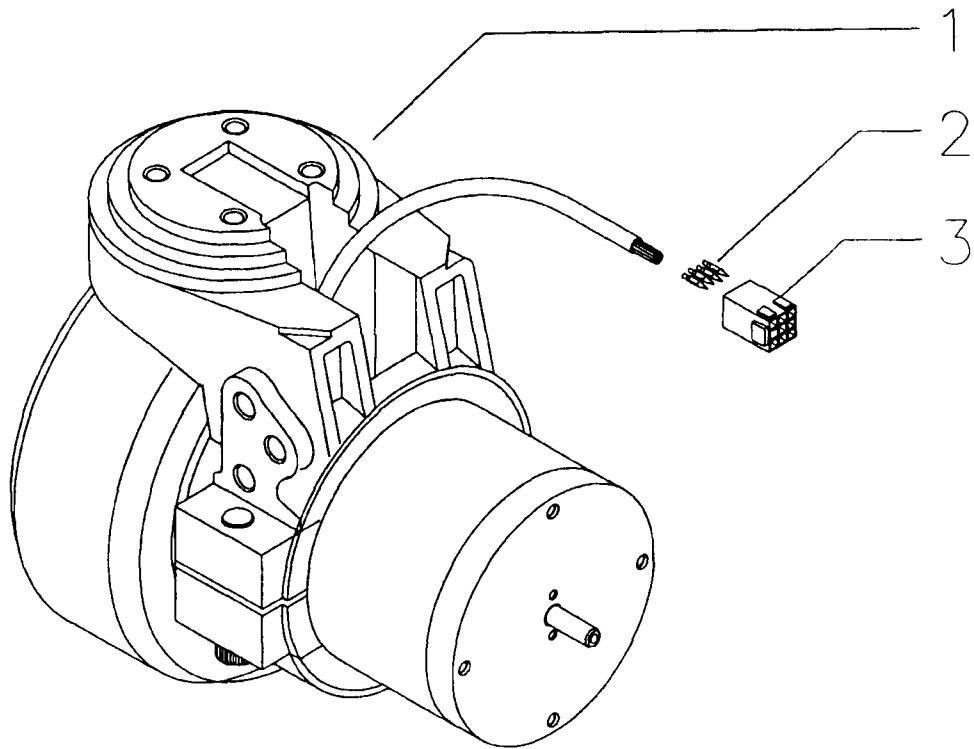


TM-1518

DET.	PART NO.	DESCRIPTION	QUANT.
	R30164	ASM,DRIVE UNIT—SWPR/SCBR	1
1	003242	SCR CAP HEX HD .312-18X.500L	8
2	004212	WSHR LK .326ID.586OD.078TSPLT	8
3	R30026	WDMT,BRKT—DRIVE CARRIAGE	1
4	R30163	ASM,MOTOR—SWPR/SCBR	2
5	R50444	BRKT,STL—DRV WHEEL ALIGNMENT	1

TM-1518

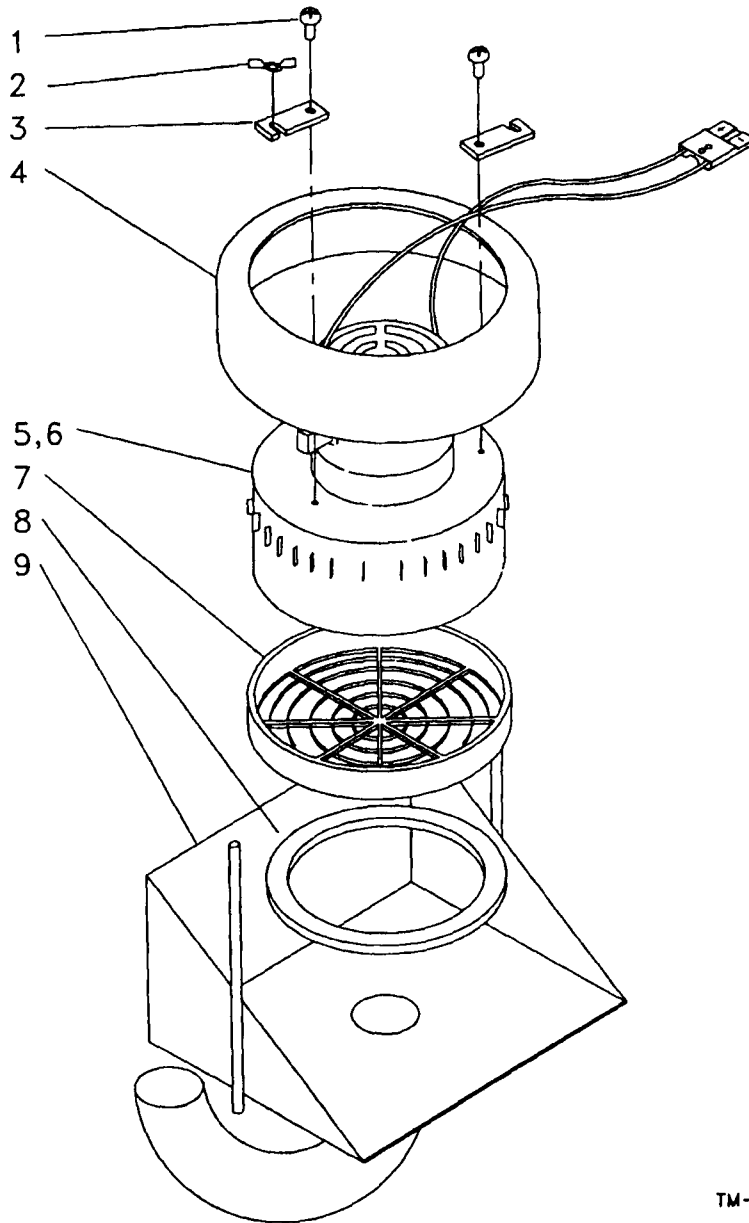
DRIVE MOTOR ASSEMBLY



TM-1519

DET.	PART NO.	DESCRIPTION	QUANT.
	R30163	ASM,MOTOR—SWPR/SCBR	1
1	R23006	MTR,DRIVE—ROCKLAND	1
2	R26077	PIN,FEMALE—22-18AWG LOOSE FRM	9
3	R26182	PLUG, FEMALE—9 CIRCUIT (AMP)	1

VACUUM MOTOR ASSEMBLY

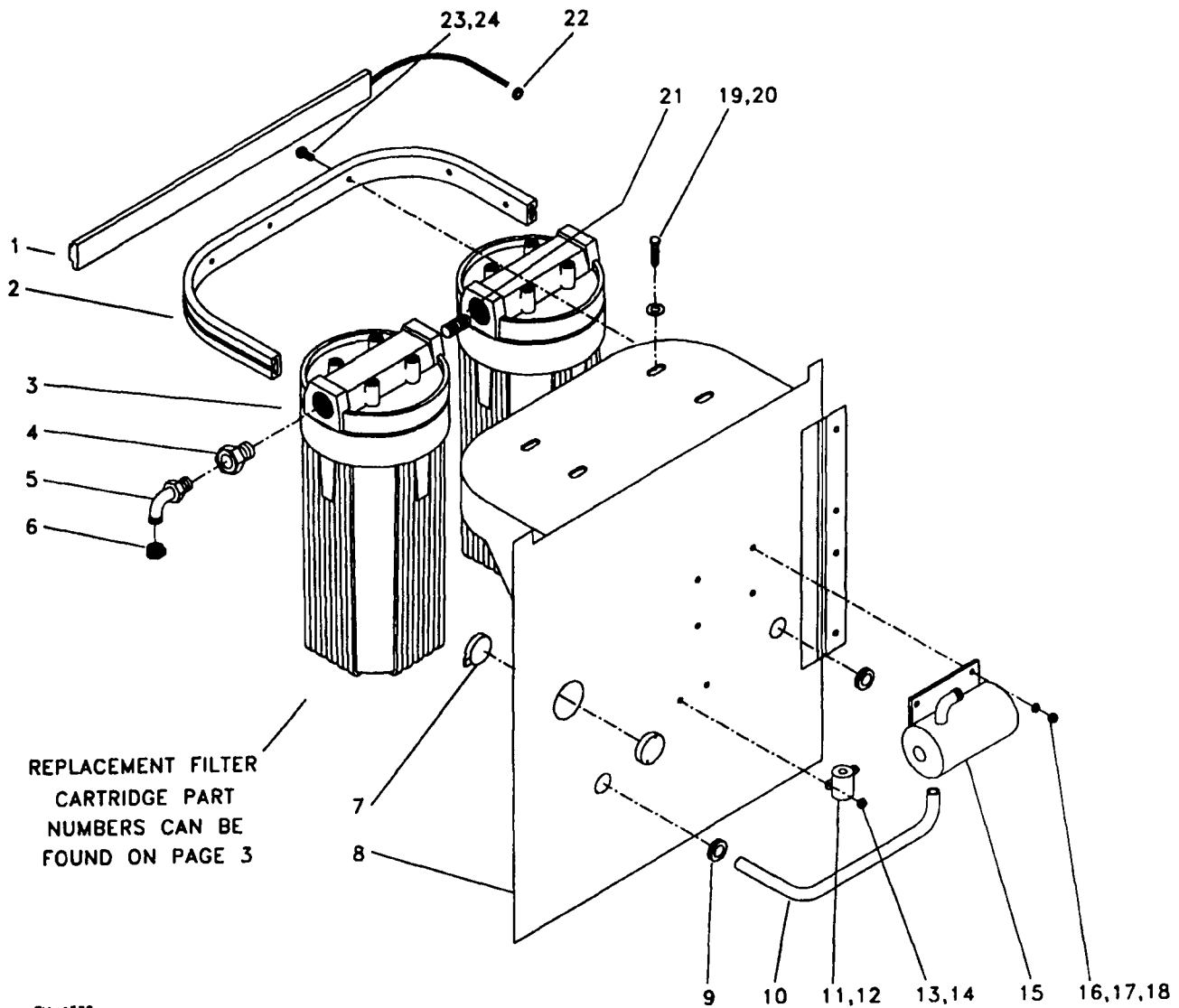


TM-1526

DET.	PART NO.	DESCRIPTION	QUANT.
	R30131	ASM,VAC MTR 3 STG ROBOT SCBR	1
1	002380	SCR TPG F PAN HD 10-10X.625L	2
2	003281	NUT,WING— 10-24,ZN PLT	2
3	053408	BAR,STL—7GA X.500X1.55L	2
4	051266	CAP,MOTOR-MOD.,UZB-880	1
5	024416	MTR,VAC—24V,BYP,3 STAGE	1
6	026573	CHARGER PLUG—ANDERSON PLUG	1
7	046817	LINT FILTER	1
8	049355	GASKET-VAC MOTOR	1
9	R30016-24	WDMT,BRKT—VAC MOTOR	1

TM-1526

RECYCLE DOOR ASSEMBLY

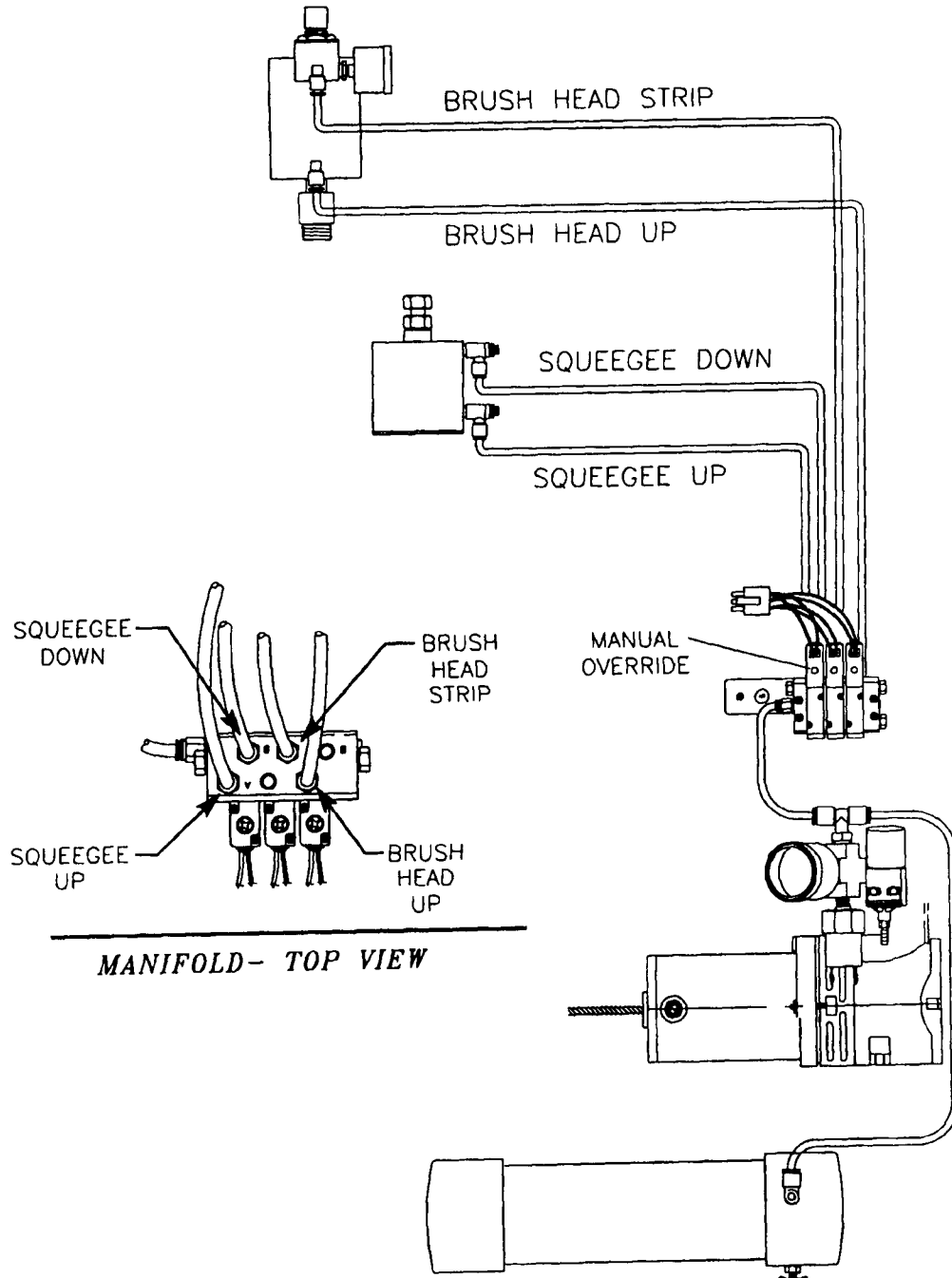


TM-1530

DET. PART NO.	DESCRIPTION	QUANT.	DET. PART NO.	DESCRIPTION	QUANT.		
	R30155	ASM,DOOR—REAR ACCESS,GRAY	1	13	002243	SCR CAP HEX HD .250-20X.625L	2
1	R26151	SWITCH,TAPE—22"L W/18"LEADS	1	14	005479	NUT,HEX LOCK— .250-20,NYLOC,ZN	2
2	R50483	CHANNEL,RUBBER—RECYCLE BMPR	1	15	R30071	ASM,PUMP—LIQUID,100PSI	1
3	055517	CHAMBER,FILTER—10"L,3/4IPT,PL	2	16	001368	SCR MACH PAN HD 10-32X1.00L	4
4	055511	BSHG,PIPE—3/4 MPT X 3/8IPT SS	2	17	005323	WSHR FLT .203ID.500OD.036T STL	4
5	055513	ELBOW,HSPP—3/8MPT X 3/8HS,BRS	2	18	003415	NUT,HEX LOCK— 8-32,NYLOC,ZN	4
6	051581	CLAMP,HOSE—.625 MAX DIA,WORM	2	19	002256	SCR CAP HEX HD .250-20X1.00L	4
7	R50232	LATCH,PLSTC—2",.08-.28PNL,BLK	1	20	004206	WSHR FLT .281ID.562OD.063T STL	4
8	R30060-24	WDMT,PANEL—REAR ACCESS,GRAY	1	21	055512	NIPPLE,CLOSE—3/4MPT,BR	1
9	049927	GROM—1.00ID,1.25MHD,.062PA	2	22	R01040	GROM—.13IDX.31MHDX.13PNL	1
10	R50244	HOSE,PRESSURE—.38X.63X19"L	1	23	E56435	SCR MACH FLAT HD 6-32X.500L	4
11	026450	SOLENOID	1	24	003361	NUT,HEX LOCK— 6-32,NYLOC	4
12	R26128	DIODE—FLYBACK	1				

TM-1530

BRUSH HEAD CYLINDER ASSEMBLY



TROUBLE SHOOTING GUIDE

PROBLEM	CAUSE	CORRECTION
Machine will not power up.	<ul style="list-style-type: none"> • Key switch not ON • Emergency stop button activated • Battery pack not connected • Batteries discharged • Battery level is OK, but no message on screen 	<ul style="list-style-type: none"> • Turn key switch ON (p. 14) • Pull up on emergency stop button • Connect battery pack (p. 6) • Check voltmeter and charge batteries (p. 36) • Call your Service Rep.
Message screen displays "Manual" but machine will not move.	<ul style="list-style-type: none"> • Variable speed control set too low • Loose connection on motion control bar • Above items are OK 	<ul style="list-style-type: none"> • Adjust speed control dial (p. 14) • Check and reconnect wire • Call your Service Rep.
Robot not in manual mode. Screen displays any one or combination of the following: Recycle Bumper, Right Front Bumper, Right Rear Bumper, Left Front Bumper, Left Rear Bumper, Center Bumper, Left Staircase, Right Staircase	<ul style="list-style-type: none"> • Machine has damaged bumper • If problem continues after replacement • Sensor not receiving accurate signal • If problem still exists 	<ul style="list-style-type: none"> • Inspect and/or replace bumper • Call your Service Rep. • Wipe staircase detectors clean with a damp cloth and restart machine. • Call your Service Rep.
Drive not responding Sonar not responding	<ul style="list-style-type: none"> • Subsystem operating problems 	<ul style="list-style-type: none"> • Call your Service Rep.
Brush drive motor will not start	<ul style="list-style-type: none"> • Brush head motor plug is disconnected • Battery condition is low • Circuit breaker tripped • If problem still exists 	<ul style="list-style-type: none"> • Reconnect power plug (p. 11) • Check voltmeter and charge batteries (p. 36) • Reset by pushing circuit breaker button (p. 29) • Call your Service Rep.
Brush head motor circuit breaker keeps tripping	<ul style="list-style-type: none"> • Brush belt drive is too tight 	<ul style="list-style-type: none"> • Adjust belt tension (p. 32)
Cleaning parts will not lift off floor when machine is powered up	<ul style="list-style-type: none"> • Compressor does not run and gauge reads 0 PSI • Compressor runs but gauge reads 0 PSI 	<ul style="list-style-type: none"> • Replace in-line fuse on compressor • Check drain valve on air tank (located below compressor inside chassis)
Machine pulls to one side	<ul style="list-style-type: none"> • A caster wheel is dragging • One of the drive motors is not turning • If problem still exists 	<ul style="list-style-type: none"> • Replace defective caster • Check electrical connections to motor • Call your Service Rep.
Cleaning parts will not drop to floor in manual or automatic cleaning mode	<ul style="list-style-type: none"> • Machine must be moving for brush head to go down • Cleaning parts not ON • Loose electrical connection to air valves • If problem still exists 	<ul style="list-style-type: none"> • Check control panel for proper settings • Turn on cleaning parts (pp. 16, 18) • Repair connection • Call your Service Rep.

TROUBLE SHOOTING GUIDE

PROBLEM	CAUSE	CORRECTION
Machine streaking or leaving water on a cleaned floor	<ul style="list-style-type: none"> • Worn squeegee blade • Clogged vacuum hose • Dirty lint filter • Improper squeegee adjustment • Foreign materials lodged under rear squeegee • Insufficient water flow to brushes • Worn brushes or pads • Air leaks around the vac motor 	<ul style="list-style-type: none"> • Replace or reverse squeegee • Remove accumulations • Clean lint filter • Readjust squeegee (p. 34) • Raise squeegee and clean blade • Check for proper water level. Clean screen in clean solution tank and eliminate any restrictions in lines, or adjust the water flow valve (p. 33) • Replace brushes or pads • Check vac motor gasket for damage
Water will not flow to floor	<ul style="list-style-type: none"> • Water valve needs adjustment • Clean water screen is clogged • Water line is clogged or kinked • Water valve is clogged • If problem still exists 	<ul style="list-style-type: none"> • Adjust water flow valve (p. 33) • Remove from tank and clean • Remove and clean or replace • Remove and clean or replace • Call your Service Rep.
Machine has poor traction while operating	<ul style="list-style-type: none"> • Presqueegee needs adjustment • Presqueegee needs replacement • Too much drag from rear squeegee • Too much cleaning solution is used causing floor to be slippery 	<ul style="list-style-type: none"> • See presqueegee adjustments (p. 35) • Replace blades as needed (p. 7) • See squeegee adjustments (p. 34) • Use according to manufacturer's directions
Short operating time	<ul style="list-style-type: none"> • Battery charge condition very low • Corroded wires or connectors • Battery water level is low • Poor battery condition 	<ul style="list-style-type: none"> • Recharge batteries fully before beginning operation • Clean thoroughly • See battery maintenance (p. 36) • Replace faulty batteries
Charger will not come on	<ul style="list-style-type: none"> • AC or DC cord connections not secure • Fuse is defective 	<ul style="list-style-type: none"> • Check all connections • Replace fuse with standard 10 amp fuse

THE KENT LIMITED WARRANTY

Your Kent equipment which has been manufactured, tested, and inspected in accordance with carefully specified engineering requirements, is warranted to be free from defects in material and workmanship. This warranty is, however, subject to the following qualifications, conditions, and limitations which are set forth to provide you and all users of the equipment with information concerning the duration, extent, availability, and applicability of the Kent limited warranty, the procedure to be taken to obtain its performance, and other information concerning the Kent warranty policy.

The Kent Limited Warranty is extended to the original end user as follows

Automatic scrubber vacs (excluding the KA33BR) and all battery operated burnishers carry a three year parts replacement and one year labor warranty. Batteries are warranted on a prorated basis for one year. Battery chargers are warranted by the manufacturer for one year. Propane engines are warranted by the manufacturer for a period of two years (one year on the valve train) for Briggs & Stratton engines, and 3 years on Onan engines.

Replacement parts are covered for the remainder of the machines warranty or 90 days, whichever is longer.

All sweepers, all pressure washers, all propane burnishers, and the KA33BR have a one year parts and labor warranty.

Poly components carry a ten year replacement warranty with one year service labor. This warranty will not cover damage attributable to the following:

: Improper, unreasonable or negligent use or abuse of the equipment.

: Use of the equipment with hot water (over 120 deg. F , 49 deg. C).

: "Warpage", "Creepage", or "Distortion" of the part so long as the same does not interfere with normal operation.

: Abrasions or punctures of the equipment.

The start date of the warranty coverage shall be the date the machine was shipped from the factory, or with proof of purchase, the purchase date of the original end user. The start date of the warranty shall not exceed one year from the date that the unit leaves the factory.

Parts of Kent Equipment not covered by the Kent Limited Warranty

Certain parts of Kent Equipment require replacement in the ordinary course of use due to normal wear by reason of their characteristics. These are normal wear items such as cords, squeegee blades, belts, gaskets, bumpers, carbon brushes, filters, hoses, bags, pad holders, brushes etc.

Exceptions and Exclusions from Warranty

Defects, malfunctions, failure, or damage of the equipment caused by improper care, unreasonable or negligent use or abuse of the equipment are excluded from this warranty. If repair is done to the equipment by anyone other than those designated as authorized to perform such work without having obtained factory authorization in writing, the Kent Company at its sole option, may determine that this warranty will not apply and that reimbursement for such repair will not be made because of the failure to comply with such factory instructions.

Procedure to be taken to obtain performance of warranty repair

To secure repair of the equipment or any warranted parts under this warranty, the following procedure must be taken. The inoperative equipment or warranted parts together with satisfactory evidence of the purchase date, must be delivered, with shipping and delivery charges prepaid, to one of the following:

: The dealer from whom purchased.

: Any Kent distributor's service department in the United States.

: Any Kent authorized service station in the United States.

If you are unable to locate any of the foregoing, you may write or otherwise communicate with The Kent Company for instructions before repair service is performed by anyone else. In such event, The Kent Company will provide either the location of a Kent authorized service department or other factory instructions. In the event that no local service department is available, Kent at its discretion will repair or replace the part or equipment at the factory, the products will be returned to the owner freight prepaid. No warranty will be honored without proof of purchase, the model number, and serial number if applicable.

Replacement

In the event of a defect, malfunction, or failure of your Kent equipment or any warranted part to conform with this warranty, The Kent Company may, at its sole option and own expense, replace the equipment or any warranted part with another new identical or reasonably equivalent model or part in lieu of repairing the defect.

No refund of purchase price

The Kent Company will not, as a matter of its warranty policy, refund the customer's purchase price.

Warranty registration

Your Kent Company distributor from whom you purchased your equipment is responsible for the registration of your warranty with the factory. We ask that you cooperate with your distributor in supplying the necessary information on the warranty card so that we may better serve you. Any information or questions that you may have concerning your Kent equipment or this warranty may likewise be secured from the factory. This warranty gives you specific legal rights, and you may also have other rights which vary from state to state.



KENT

The Kent Company
2310 Industrial Parkway
P.O. Box 1665
Elkhart, IN 46515, U.S.A.
Telephone: (800) 334-1083
(219) 293-8661
Fax: (219) 295-8610

083319P 1-98 USK