

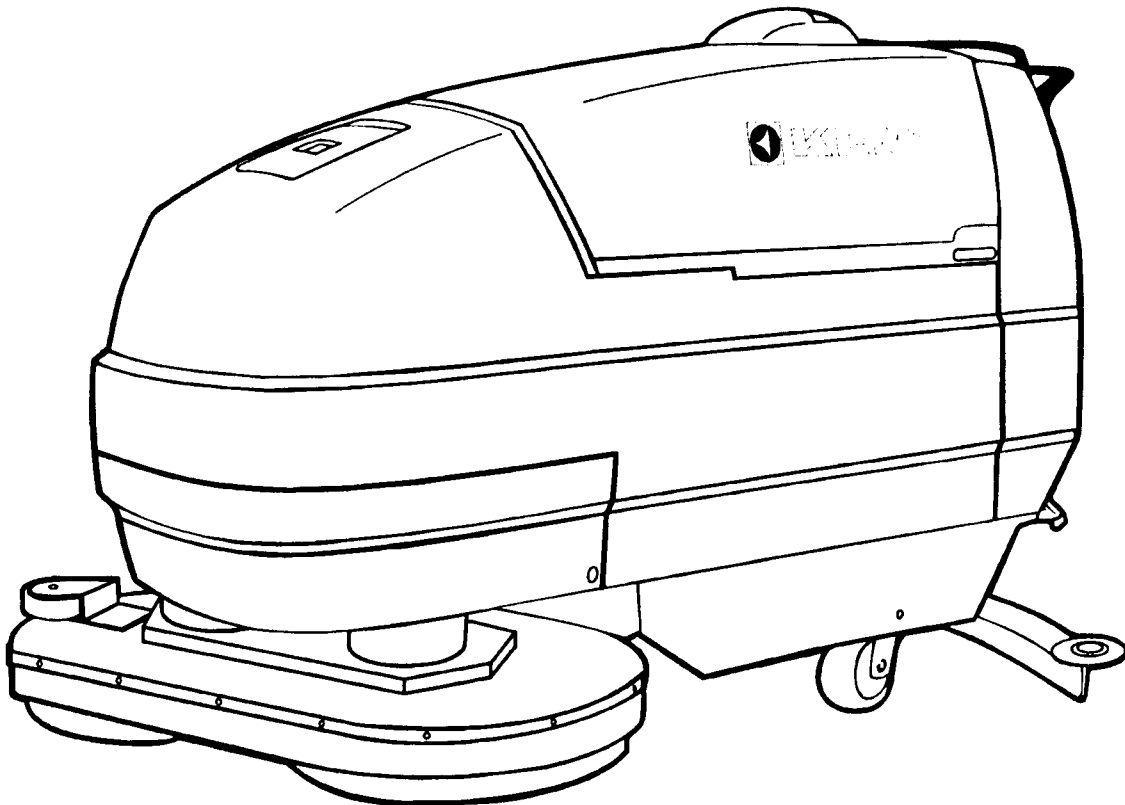
KENT

PARTS MANUAL

SERVICE • PARTS

AUTOMATIC SCRUBBERVAC

KA-27 DuraScrub



EDITION 1
MARCH 1996
083359

THE KENT COMPANY • 2310 INDUSTRIAL PARKWAY • P.O. BOX 1865 • ELKHART, IN 46515, U.S.A.
TEL: (219)293-8661 • (800)334-1083 • FAX: (219)295-8610 • TELEX: 25-8331 KENT CO EKR

TABLE OF CONTENTS

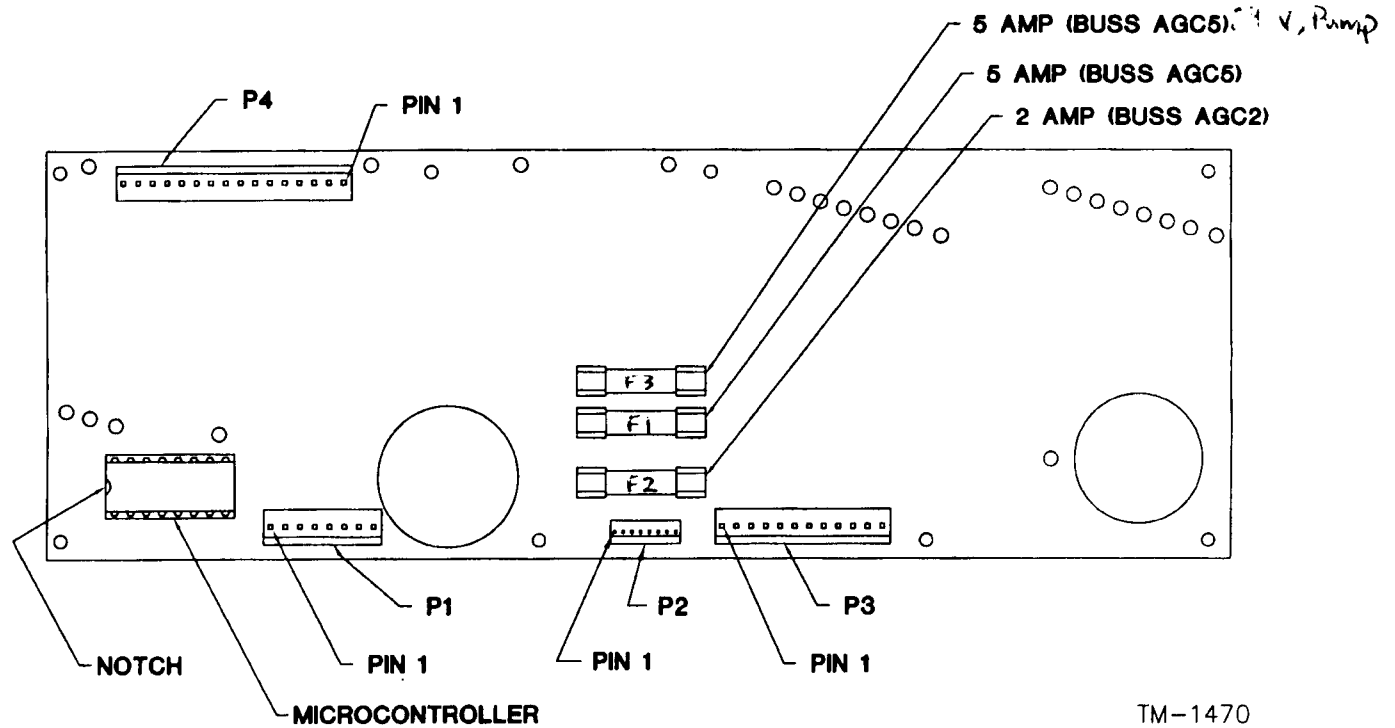
KA-27 SOLUTION TANK	2,3
KA-27 RECOVERY TANK	4,5
KA-27 BACK PANEL	6,7
WIRE DIAGRAM	8,9
KA-27 SQUEEGEE	10,11
KA-27 BRUSH HEAD	12,13
KA-27 REAR COVER	14,15
KA-27 BRUSH COVER	16
KA-27 FRAME ASSEMBLY	17
KA-27 CHASSIS ASSEMBLY	18

RECOMMENDED SPARE PARTS

Recommended spare parts should be ordered and stocked to avoid possible down time in case of failure, breakage, or normal wear.

<u>PART NO.</u>	<u>DESCRIPTION</u>	<u>QUANT.</u>
035302	ASM,HOSE--SQUEEGEE, BLK,22"L	1
035129	ASM,HOSE--TANK, BLK,36"L	1
035179	ASM,HOSE--DUMP,1,50 DIA,BLK,40"L	1
039276	BRUSH,MTR--FOR 027153 MOTOR	4
039428	BRUSH,MTR--FOR 024373 VAC MTR	2
047484	KNOB	1
056425	RUBBER,SQUEEGEE--27" AUTO,FRONT	1
056427	RUBBER,SQUEEGEE--27" AUTO,REAR	1
056426	RUBBER,SQUEEGEE--27" AUTO,BACKUP	1
056466	GASKET,SQUEEGEE--.187 x 2, 9.75L	1
056793	FILTER,SCREEN--1.85ID,SS	1

DURASCRUB SYSTEM CIRCUIT BOARD CONNECTIONS



TM-1470

CONNECTOR P1

PIN 1	TANK PROBE 1 (-), NO.57
PIN 2	TANK PROBE 2 (+), NO.58
PIN 3	BRUSH UP SWITCH (-), NO.17
PIN 4	BRUSH UP SWITCH (+), NO.18
PIN 5	BRUSH DOWN SWITCH (-), NO.23
PIN 6	BRUSH DOWN SWITCH (+), NO.22
PIN 7	ON/OFF HANDLE SWITCH (-), NO.55
PIN 8	ON/OFF HANDLE SWITCH (+), NO.56

PIN 4	(-) JUNCTION BAR, NO.60
PIN 5	(-) JUNCTION BAR, NO.61
PIN 6	(-) JUNCTION BAR, NO.62
PIN 7	WATER PUMP (+), NO.51
PIN 8	WATER PUMP (-), NO.52
PIN 9	LOAD INDICATOR (+), NO.64
PIN 10	LOAD INDICATOR (-), NO.59
PIN 11	BATTERY LOW INDICATOR (+), NO.4
PIN 12	BATTERY LOW INDICATOR (-), NO.8

CONNECTOR P2 (KEYPAD)

Function Pin combinations:

GROUND	PIN 1
WATER FLOW SELECT	PIN 2 & 6
WATER FLOW ON/OFF	PIN 3 & 6
BRUSH PRESSURE (+)	PIN 4 & 6
BRUSH PRESSURE (-)	PIN 5 & 6
BRUSH INSTALL	PIN 2 & 7
BRUSH REMOVE	PIN 3 & 7
VACUUM ON/OFF	PIN 4 & 7
BRUSH ON/OFF	PIN 5 & 7

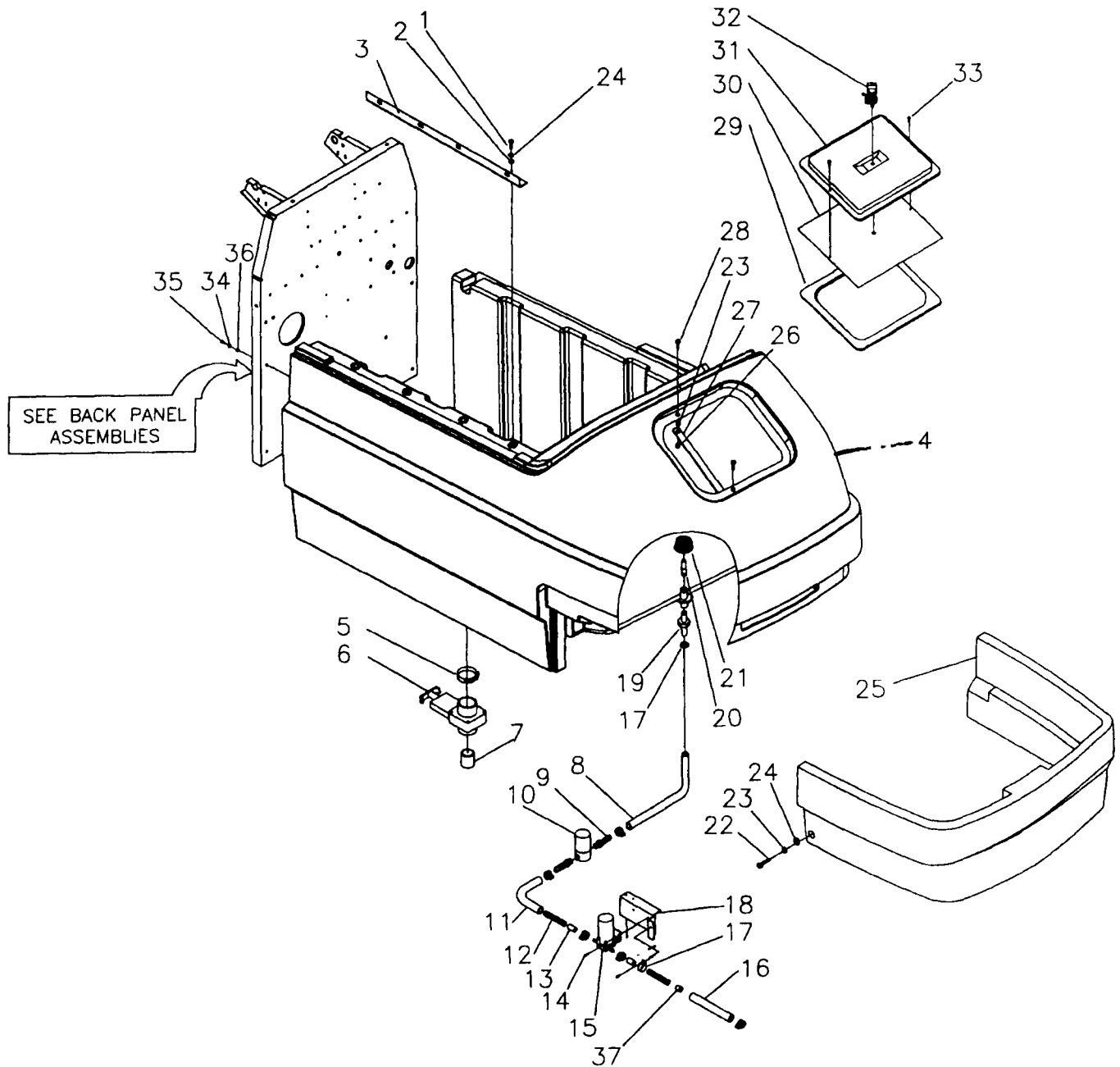
CONNECTOR P4

PIN 1	BRUSH DOWN SOLENOID (+), NO.33
PIN 2	BRUSH DOWN SOLENOID (-), NO.32
PIN 3	BRUSH UP SOLENOID (+), NO.25
PIN 4	BRUSH UP SOLENOID (-), NO.20
PIN 5	NOT USED
PIN 6	NOT USED
PIN 7	REMOVE SOLENOID (+), NO.47
PIN 8	REMOVE SOLENOID (-), NO.48
PIN 9	INSTALL SOLENOID (+), NO.43
PIN 10	INSTALL SOLENOID (-), NO.44
PIN 11	WATER VALVE (+), NO.49
PIN 12	WATER VALVE (-), NO.50
PIN 13	BRUSH ON/OFF SOLENOID (+), NO.45
PIN 14	BRUSH ON/OFF SOLENOID (-), NO.46
PIN 15	VAC SOLENOID (+), NO.53
PIN 16	VAC SOLENOID (-), NO.54

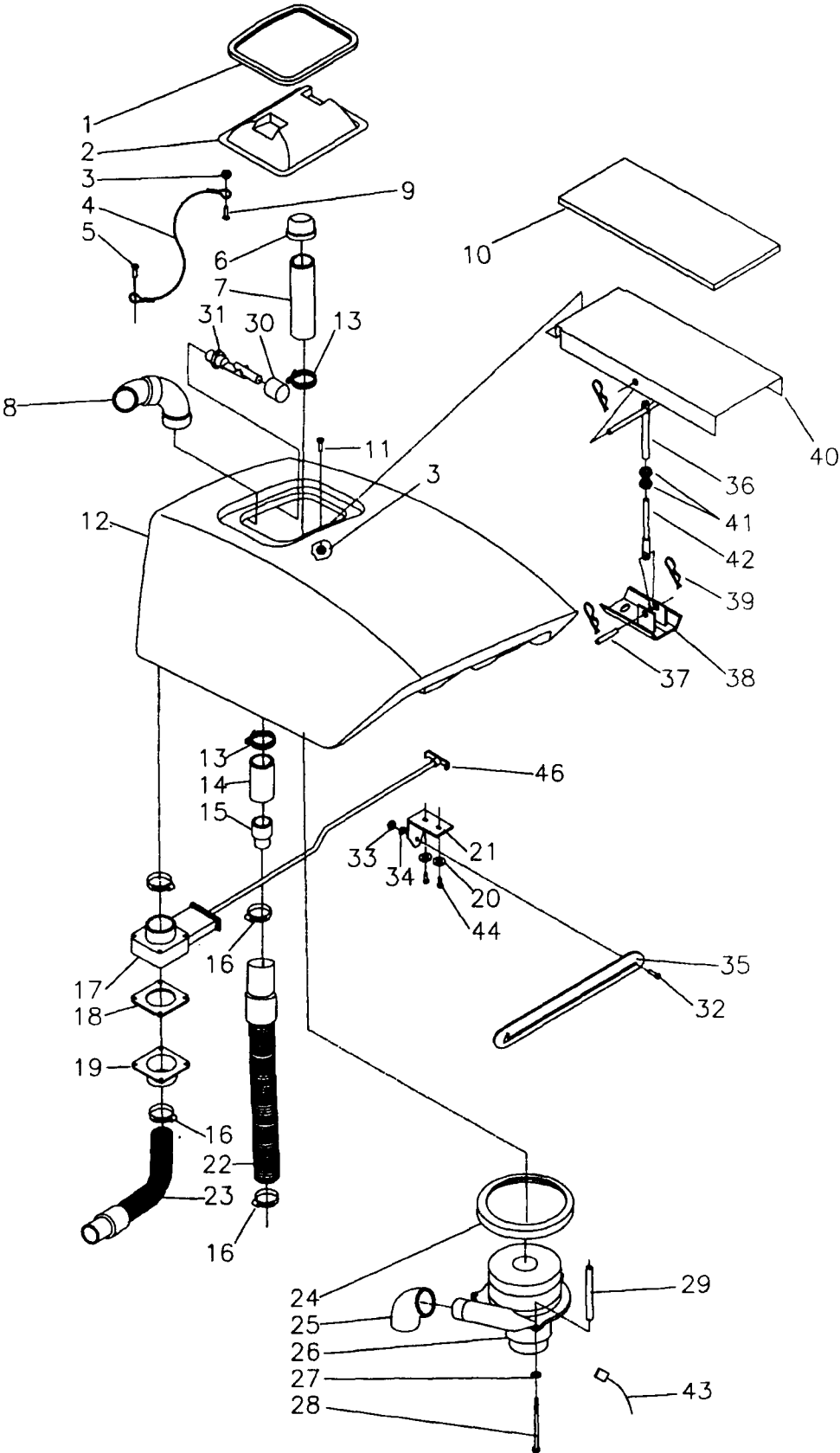
CONNECTOR P3

PIN 1	MAIN SOLENOID, NO.63
PIN 2	NOT USED
PIN 3	NOT USED

KA-27 SOLUTION TANK ASSEMBLY



KA-27 RECOVERY TANK ASSEMBLY



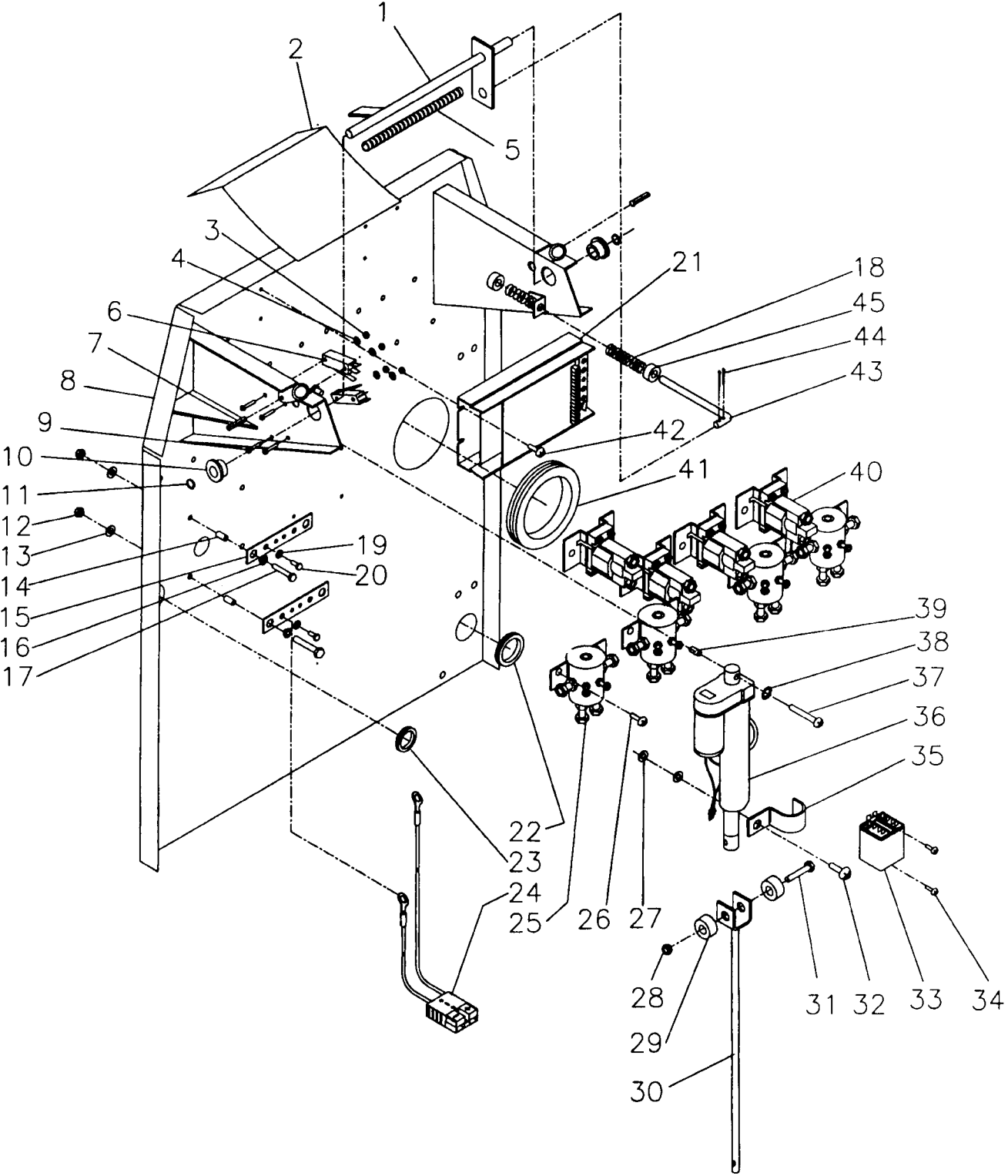
KA-27 RECOVERY TANK PARTS LIST

DET.	PART NO.	DESCRIPTION	QUANT.	DET.	PART NO.	DESCRIPTION	QUANT.
1	057962	GASKET,FOAM—EXTR.RECOVERY	1	23	035179	ASM,HOSE—DUMP,BLK,1.50 DIA	1
2	057579	LID,DOMED—DURASCRUB,CLEAR	1	24	E23788B	RING-MOTOR MOUNTING	1
3	005480	NUT,HEX LOCK— 10-24,NYLOC	1	25	056676	ELBOW,PIPE—RS 98402,CUT OFF	1
4	056617	WIRE ROPE—.062DIA X 6.00L	1	26	026056	ASM,VAC MTR—24V.3-STG,W/TERMS	1
5	002382	SCR TPG F PAN HD 10-B X.500L	1	27	004254	WSHR LK .267ID.510OD.028T EXT	3
6	056793	FILTER,SCREEN—1.85ID,SS	1	28	223213	SCR CAP HEX HD .250-20X4.00L	3
7	055494	PIPE,PVC—1.50 SCH40 X 6.00L	1	29	056764	SPACER,PHEN—.265X.500.3.156L	3
8	056758	ASM,ELBOW—RECOVERY TANK	1	30	057318	ADPTR,FLOAT—DURA SCRUB	1
9	002449	SCR MACH PAN HD 10-24X.875L,SS	1	31	057002	SWITCH,FLOAT W/WIRE	1
10	057029	GASKET,SUPPORT—27" AUTO	1	32	002433	SCR SHLDR SOC HD .250X.500L	1
11	002491	SCR MACH FLAT HD 10-24X1LSS	1	33	005433	NUT,HEX—.250-20,SS	1
12	057437	TANK,REC—MACH'D,27SS	1	34	005433	WSHR FLT .281ID.750OD.120T STL	1
13	049999	CLAMP,HOSE—2.25 MAX DIA,WORM	3	35	057508-02	BAR,STL—11GA.W/SLOT,PLATED	1
14	057106	TUBE,PVC—RS098403,4.500L	1	36	035326	WDMT,SUPPORT—AUTOS	1
15	053894	FITTING—REDUCER,1.58-1.50,PLS	1	37	057026	PIN,STL—3/8"OD,SS	1
16	046688	CLAMP,HOSE—1.75 MAX DIA,WORM	2	38	057025	PLATE,STL—16GA,SS	1
17	057421	VALVE,SLIDE—1-1/2PIPE,27" AUTO	1	39	004352	PIN,LOCK—.125 DIA WIRE	4
18	054762	GASKET,FOAM—.187X2.87X2.87	2	40	057033	PLATE,STL—REC TANK,SS	1
19	035160	WDMT,DRAIN—RECOVERY TANK	1	41	003438	NUT,HEX JAM—.375-16,SST	2
20	004253	WSHR LK .204ID.410OD.025T EXT	2	42	035327	WDMT,SUPPORT—REC TANK	1
21	057504-02	BRACKET,STL—11GA,PLATED	1	43	038786	BRUSH,MTR—24 AND 36V DC VAC	2
22	035129	ASM,HOSE—TANK,1.50 DIA,BLK	1	44	001273	SCR MACH RD HD 10-32X.500L	2
17	057421	valve w/ plastic handle		46	057187	Handle only, 1.1um.	

AVAILABLE ASSEMBLIES

035484 ASM, RECOVERY TANK--INCLUDES ITEMS 1-15, 17-21, 24-31, 36-43

KA-27 BACK PANEL ASSEMBLY

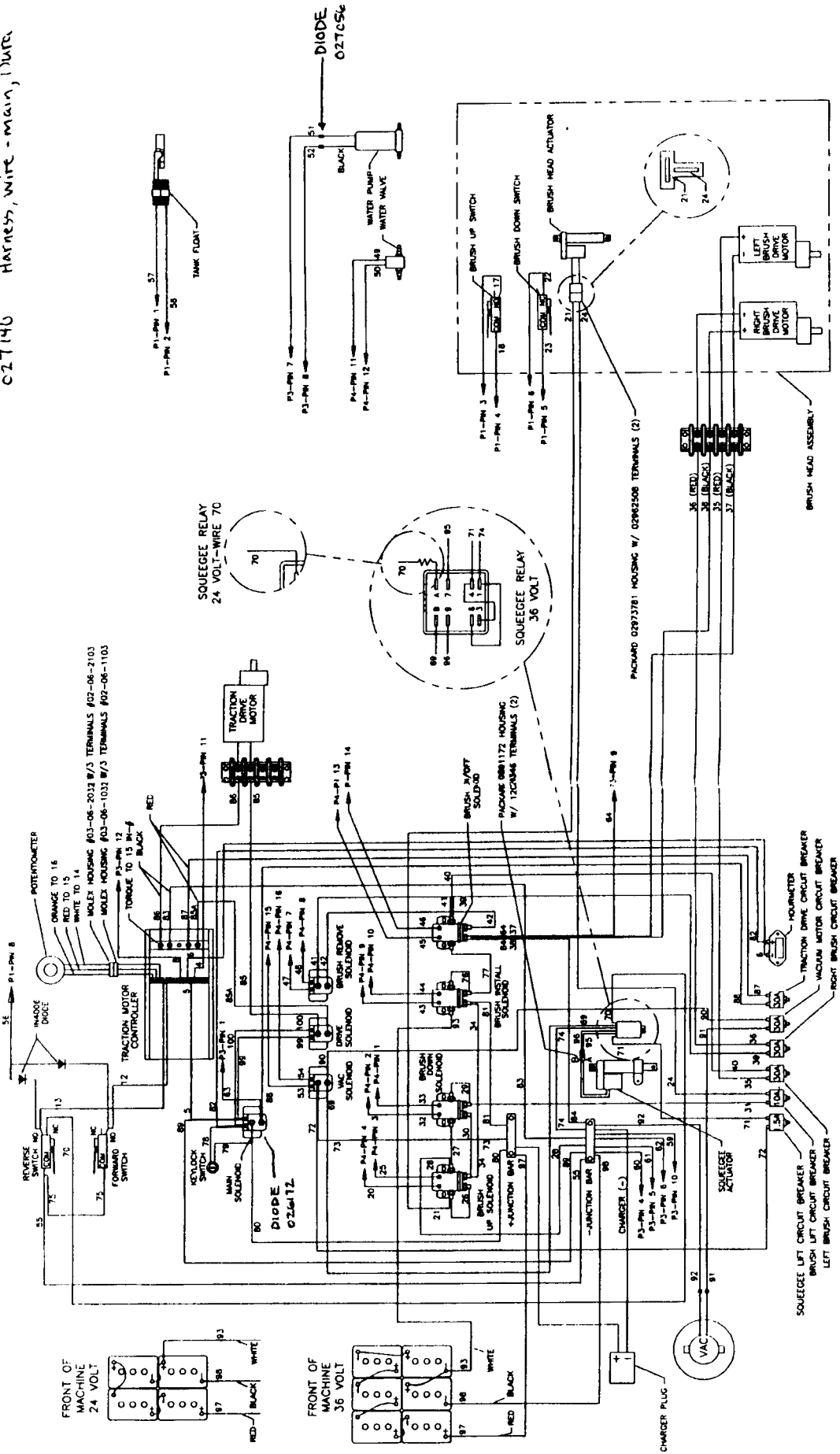


KA-27 BACK PANEL PARTS LIST

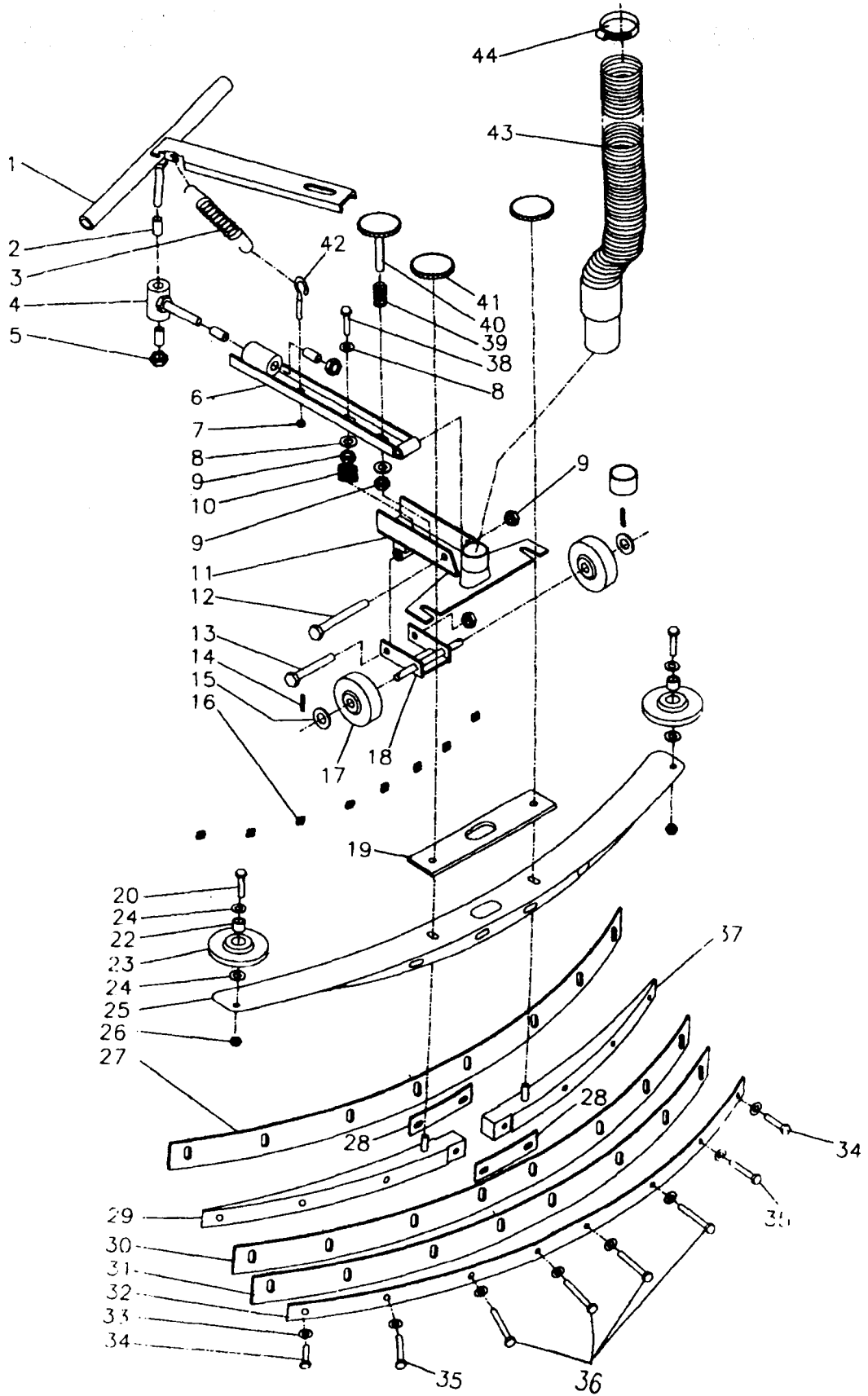
DET. PART NO.	DESCRIPTION	QUANT.	DET. PART NO.	DESCRIPTION	QUANT.		
1	035384	WDMT SHAFT—ACTUATOR	1	24	027152	ASM.CHARGER PLUG—2 CNDCT	1
2	027076	INSULATION BARRIER—SPLASH CVR	1	25	026645	SOLENOID—24V	4
3	003274	NUT,HEX—6-32,ZN PLT	4	26	001514	SCR TPG F PAN HD 210 20X 375L	16
4	004250	WSHR LK .148ID.250OD.031TSPLT	4	27	004336	WSHR FLT .281ID 875C D 125T STL	2
5	057176	TUBE,PLSTC—SLIT,.81ODX11.0"L	1	28	003363	NUT,HEX LOCK—250-10,ZN PLT	1
6	026603	SWITCH,LVR—DPST.20A.125-250V	2	29	050575	SPACER,PHEN—281X 875. 375L	2
7	005624	PIN,ROLL—312DIA.1.000"L	2	30	035183	WDMT.ACTUATOR—SQUEEGEE	1
8	035481	WDMT.BACK PANEL—KA-27SS	1	31	002282	SCR CAP HEX HD 250-20X2.50L	1
9	001248	SCR MACH RD HD 6-32X1.00L	4	32	002371	SCR TPG F PAN HD 110 24X.625L	1
10	027131	BRG.FLANGE—500ID.750OD.500W	2	33	027136	RELAY,DPDT—24VDC 10 AMPS	1
11	004351	RING,RTNG—EXT,.500 SHAFT,"E"	2	34	005313	SCR TPG F PAN HD 110 32X.312L	2
12	003283	NUT,HEX—250-20,ZN PLT	4	35	056623	STRAP,CONDUIT—1IN RIGID	1
13	002278	WSHR LK .262ID.489OD.062TSPLT	4	36	027155	ACTUATOR,DC—24V.75LBS.3IN	1
14	048268	SPACER,PLSTC—500X 625. 500L	4	37	002267	SCR CAP HEX HD 250 20X1.50L	1
15	048269	BAR,STL—187X.750X 4.00 LONG	2	38	004254	WSHR LK .267ID 510CD 028T EXT	1
16	004369	WSHR SHL DR.250ID 562OD.120T.NY	4	39	049343	SPACER,STL—375X.500. 437L.Z	1
17	002269	SCR CAP HEX HD .250-20X1.25L	4	40	027165	SOLENOID 24V SPST NORM OPEN	4
18	056597	SPRING,COMP 480D 2.75L .045WD	2	41	054	GROM—3.00ID.3.50MFD.12PA	1
19	004212	WSHR LK .326ID.586OD 078TSPLT	4	42	005313	SCR TPG F PAN HD 110 24X 375L	4
20	003242	SCR CAP HEX HD 312-18X.500L	4	43	053296	ROD,STL—312 DIA .600 LONG	1
21	027166	CONTROL—DC,PROGRAMMABLE.27	1	44	004297	PIN,COTTER—094X 1.50 LONG	2
22	056672	GROM—2"IDX2.44MHDX.12PA	1	45	048987	COLLAR-CENTERING SPRING	2
23	055434	GROM—1 0ID.1.25MHD.125PA	1				

WIRE DIAGRAM

027140 Harness, wire - main, Data



KA-27 SQUEEGEE ASSEMBLY



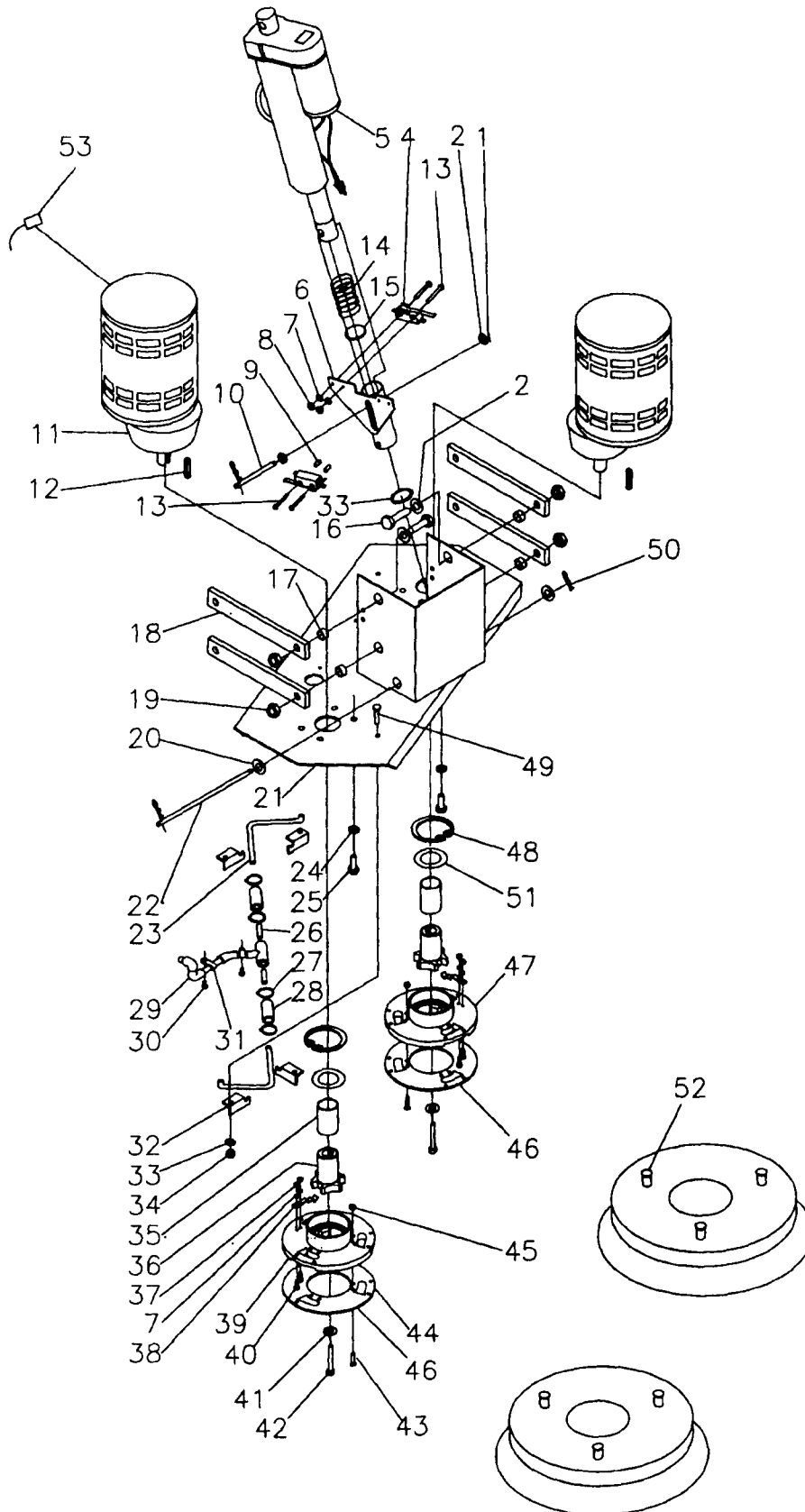
KA-27 SQUEEGEE PARTS LIST

DET. PART NO.	DESCRIPTION	QUANT.	DET. PART NO.	DESCRIPTION	QUANT.		
1	035310	WDMT,SQUEEGEE LIFT—27 AUTO	1	23	053720	WHEEL—4.00DIA.,438BORE.,688HB	2
2	027171	BRG.SLV—.500ID,.625OD,.750W	4	24	004218	WSHR FLT .344ID.750OD.060T STL	4
3	051136	SPRING,EXT .750D 2.92L .104WD	1	25	035118	WDMT,SQUEEGEE—27" AUTO	1
4	035150	WDMT,SQUEEGEE PIVOT—33&39AUTO	1	26	003378	NUT,HEX LOCK—.312-18,ZN PLT	2
5	003370	NUT,HEX LOCK—.500-13,ZN PLT	2	27	056425	RUBBER,SQUEEGEE—FRT,27" AUTO	1
6	035137	WDMT,SQUEEGEE BAR—33&39 AUTOS	1	28	056461	CLAMP,SQUEEGEE—11GA,5.00L	2
7	005479	NUT,HEX LOCK—.250-20,NYLOC,ZN	1	29	056285	SPACER,SQUEEGEE—LEFT,27" AUTO	1
8	005219	WSHR FLT .406ID1.00OD.071T STL	4	30	056427	RUBBER,SQUEEGEE—REAR,27 AUTO	1
9	003368	NUT,HEX LOCK—.375-16,ZN PLT	4	31	056426	RUBBER,SQUEEGEE—BACKUP	1
10	056808	SPRING,COMP—.970D,.750L,.072W	1	32	056671	STRAP,SQUEEGEE—27" AUTO	1
11	035138	WDMT,SQUEEGEE BRACKET—33&39	1	33	004531	WSHR FLT .281ID.625OD.080T,SS	8
12	002445	SCR CAP HEX HD .375-16-2.50L	1	34	002454	SCR CAP HEX HD .250-20X1.50L	2
13	003268	SCR CAP HEX HD .375-16X3.00L	1	35	002476	SCR CAP HEX HD .250-20X2.00L	2
14	005383	PIN,COTTER—.094X1.000 LONG	2	36	002455	SCR CAP HEX HD .250-20X2.50L	4
15	004223	WSHR FLT .406ID.625OD.036T STL	2	37	056435	SPACER,SQUEEGEE—RIGHT,27" AUT	1
16	005591	NUT,SELF RETAINING—.250-20	8	38	002332	SCR CAP HEX HD .375-16X1.75L	1
17	057143	WHEEL,PLASTIC—3"OD,3/8"BORE	2	39	056585	SPRING,COMP .845D 1.75L .085WD	1
18	035139	WDMT,BRACKET—SQUEEGEE WHEEL	1	40	035163	ASM,KNOB—ADJUSTMENT,.375-16	1
19	056466	GASKET,SQUEEGEE—.187X2,9.75L	1	41	047484	KNOB	2
20	003249	SCR CAP HEX HD .312-18X1.25L	2	42	005594	BOLT,EYE—.250-20,X1.0 SHANK	1
21	004212	WSHR LK .326ID.586OD.078TSPLT	2	43	035302	ASM,HOSE—SQUEEGEE,1.5DIA,BLK	1 - 18" Long
22	053699	SPACER,STL—.312X.437,.43L	2	44	046688	CLAMP,HOSE—1.75 MAX DIA,WORM	1

AVAILABLE ASSEMBLIES

035215 ASM, SQUEEGEE--INCLUDES ITEMS 16, 19-37
 035309 ASM, SQUEEGEE LINKAGE--INCLUDES ITEMS 1-18, 38-42
 035590 SET, SQUEEGEE BLADE--INCLUDES ITEMS 27, 30, 31

KA-27 BRUSH HEAD ASSEMBLY



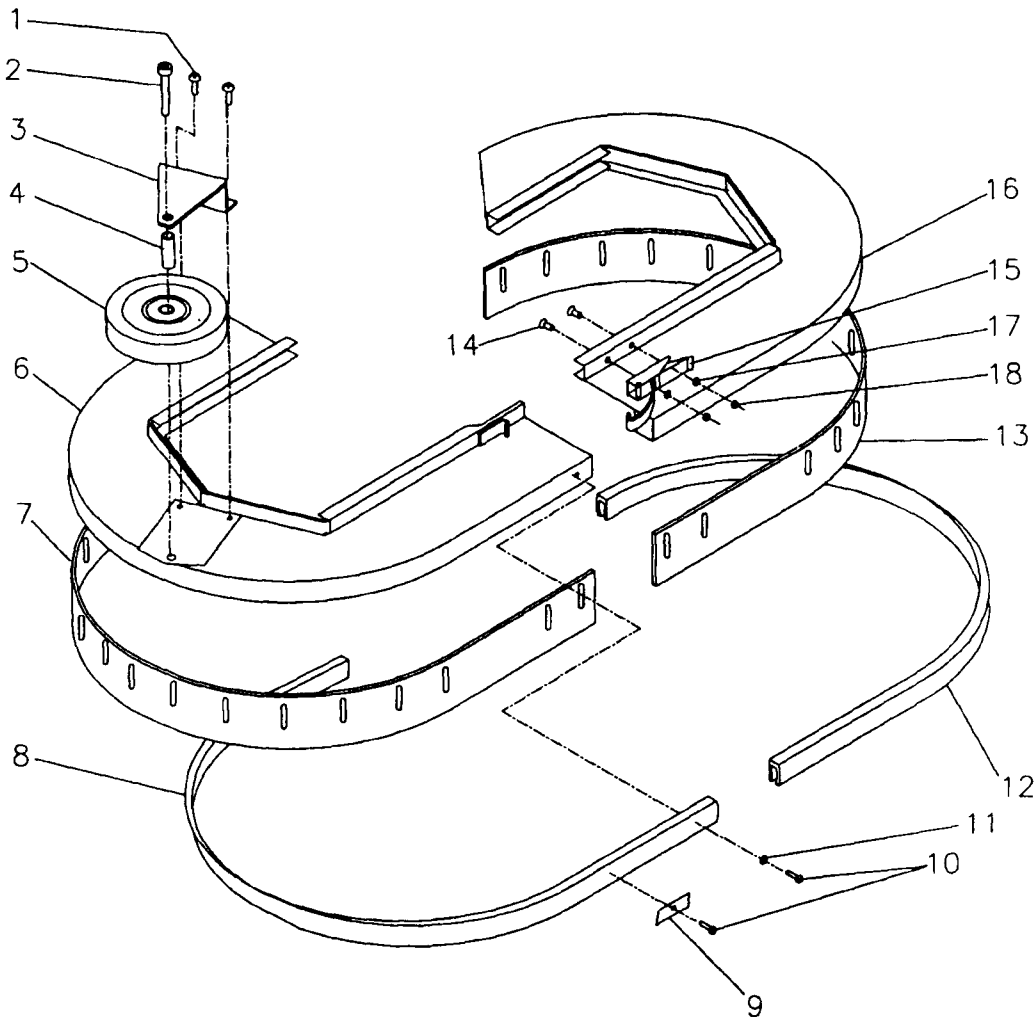
KA-27 BRUSH HEAD PARTS LIST

DET.	PART NO.	DESCRIPTION	QUANT.	DET.	PART NO.	DESCRIPTION	QUANT.
1	005200	PIN,COTTER—.125X1.000 LONG	2	28	048607	TUBE,VINYL—.500X.750, 1.50L	2
2	004238	WSHR FLT .531ID1.00OD.071T STL	4	29	035332	ASM,TUBE—PVC,SOLUTION,27"	1
3	005227	WSHR FLT .531ID.875OD.036T STL	2	30	005316	SCR TPG F PAN HD 10-24X.375L	2
4	026603	SWITCH,LVR—DPST,20A,125-250V	2				
5	027154	ACTUATOR,DC—24V,500LBS,6IN	1	31	051474	CLAMP,LOOP—.609 CLOSED I.D.	2
6	035421	WDMT,ACTUATOR TUBE—BRUSH LIFT	1	32	053277	BRACKET,SOLN TUBE—.75X.75X1.8	4
7	004250	WSHR LK .148ID.250OD.031TSPLT	4	33	046762	RING,RTNG—INT.1.18 CYL,N5000	1
8	003274	NUT,HEX— 6-32,ZN PLT	4	34	003363	NUT,HEX LOCK—.250-20,ZN PLT	4
9	046425	SPACER,PHEN—.250X.437, .250L	2	35	056464	TUBE,SS—1.50OD,16GA,1.937L	2
10	056155	PIN—ACTUATOR	1	36	056445	SHAFT,DRIVE—BRUSH,AUTOS	2
11	039623	Shaft & Gear	2	37	003466	NUT,HEX— 6-32,SS	4
11	024439	ASM,MTR&GEAR UNIT—24V,W/RINGS	2	38	057046	CLIP,RETAINING—BRUSH LUG,27	2
12	057663	KEY,SQUARE—.250SQ,1.50L	2	39	056446	HUB,DRIVE—BRUSH,AUTOS,LEFT	1
13	005261	SCR MACH RD HD 6-32X1.25L	4	40	001515	SCR MACH PAN HD 6-32X 500L	4
14	054427	SPRING,COMP—1.09D 2.50L.135WD	1				
15	056639	PLATE,STL—13GA,1.125DIA	1	41	005358	WSHR LK—.326ID.586OD.078T SPL	2
16	003270	SCR CAP HEX HD .500-13X1.25L	4	42	002499	SCR CAP SOC HD .312-18X2.00L	2
17	056473	SPACER,STL—.531X.750C .218L,Z	4	43	002473	SCR MACH FLAT HD 10-24X.875L	12
18	056254	BAR,STL—.375X1.25, 9.25L	4	44	057159	PLATE,SS—BRUSH MTG RING,RIGHT	3
19	003370	NUT,HEX LOCK—.500-13,ZN PLT	4	45	222224	NUT,HEX LOCK— 10-24,ZN PLT	12
20	005219	WSHR FLT .406ID1.00OD.071T STL	2	46	057160	PLATE,SS—BRUSH MTG RING,LEFT	1
				47	056447	HUB,DRIVE—BRUSH,AUTOS,RIGHT	1
21	035313	WDMT,BRUSH HEAD—27 AUTO	1	48	004529	RING,RTNG—INT.2 375 BORE	2
22	056987	SHAFT,STL—.375DIA, 5.75L	1	49	002459	SCR CAP HEX HD .250-20X.500LSS	4
23	055297	TUBE,FORMED—AUTO,SOLN,RIGHT	2	50	004352	PIN,LOCK—.125 DIA WIRE	2
24	004214	WSHR LK .390ID.683OD.094TSPLT	8				
25	003262	SCR CAP HEX HD .375-16X1.00L	8	51	004548	WSHR FLT 1.770ID2.342OD.078T	2
26	056986	TUBE,VINYL—.313X.500, 1.00L	2	52	005630	LUG,BRUSH—.250-20 THREAD	6
27	051117	CLAMP,HOSE—.875 MAX DIA,WORM	4	53	039276	BRUSH,MTR—FOR 024372&027153	4

AVAILABLE ASSEMBLIES

- 035491 ASM, BRUSH HEAD--INCLUDES ITEMS 1-51, 53
- 035315 ASM, SOLUTION LINE--INCLUDES ITEMS 23, 26-29
- 035366 ASM, DRIVE HUB, RIGHT--INCLUDES ITEMS 7, 35-45, 48, 51
- 035367 ASM, DRIVE HUB, LEFT--INCLUDES ITEMS 7, 35-38, 40-43, 45-48, 51

KA-27 BRUSH COVER ASSEMBLY



TM-1462

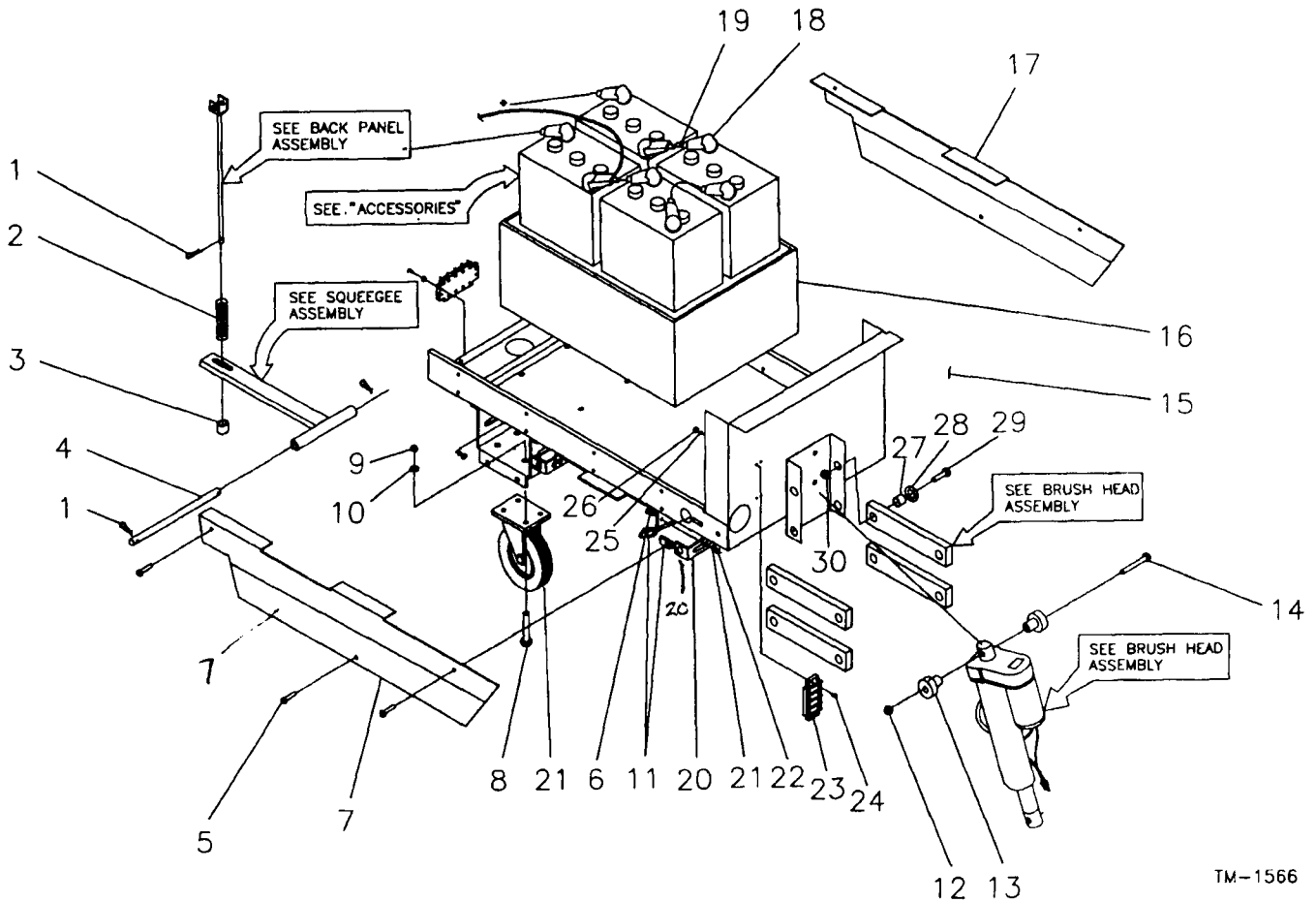
DET. PART NO.	DESCRIPTION	QUANT.	DET. PART NO.	DESCRIPTION	QUANT.		
1	002357	SCR MACH PAN HD .250-20X.625L	2	10	004542	SCR TPG F PAN HD 10-24X.875L	22
2	005536	SCR CAP SOC HD .375-16X2.00L	1	11	005323	WSHR FLT .203ID.500OD.036T STL	4
3	056701	BRACKET,BUMPER WHEEL-27 AUTO	1	12	056939	CHANNEL,VINYL-BRUSH CVR,27,LT	1
4	056684	SPACER,STL-.500X17GA,1.50L,Z	1	13	056937	GUARD,SPLASH-27 AUTO,LEFT	1
5	056673	WHEEL,BLACK-5" OD	1	14	001288	SCR MACH FLAT HD 10-24X.500L	2
6	035281	WDMT,BRUSH COVER-27 AUTO,RT	1	15	054306	CLAMP,TOGGLE-BLACK,1.62 LATCH	1
7	056936	GUARD,SPLASH-27 AUTO,RIGHT	1	16	035282	WDMT,BRUSH COVER-27 AUTO,LEFT	1
8	056938	CHANNEL,VINYL-BRUSH CVR,27,RT	1	17	003279	NUT,HEX- 10-24,ZN PLT	2
9	052006	STR,STL-.062X.437X1.50 LONG	18	18	005297	WSHR LK .200ID.334OD.047TSPLT	2

AVAILABLE ASSEMBLIES

- 035283 ASM, BRUSH COVER, RIGHT--INCLUDES ITEMS 1-11
- 035284 ASM, BRUSH COVER, LEFT--INCLUDES ITEMS 9-18

TM-1466

KA-27 FRAME ASSEMBLY AND PARTS LIST

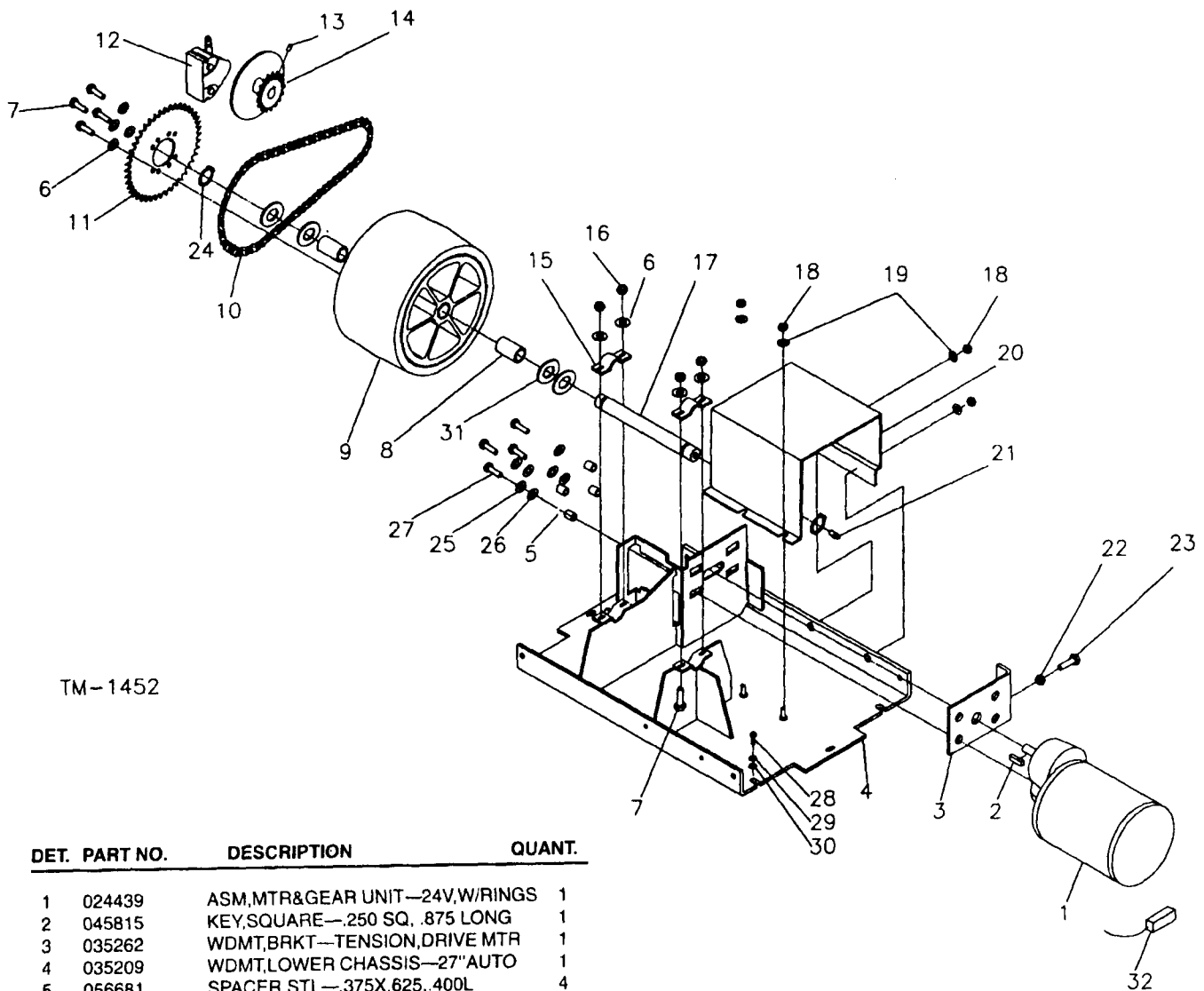


TM-1566

DET. PART NO.	DESCRIPTION	QUANT.	DET. PART NO.	DESCRIPTION	QUANT.		
1	004352	PIN, LOCK—.125 DIA WIRE	3	16	056727	BOX, BATT—MACH. 27 AUTO	1
2	056618	SPRING, COMP—.845D, 3.50L, 100WD	1	17	056717	SKIRT, LOWER—27 AUTO, LEFT	1
3	056683	SPACER, STL—.391X.625, .500L, Z	1	18	054186	BOOT, INSULATOR—BATT TERMINALS	8
4	056977	SHAFT, STL—.375 DIA, 11.00L	1	19	025085	ASM, WIRE— 6GA, BLK, 10.2L, RINGS	3
5	002480	SCR MACH PAN HD .250-20X.625L	6	20	056715	BRACKET, STL—SKIRTS, 27 AUTO	4
6	004254	WSHR LK .267ID.510OD.028T EXT	6	20	CC2253	SCREWS	
7	056716	SKIRT, LOWER—27 AUTO, RIGHT	1	21	055658	CASTER, SWIVEL—5.0 DIA, 700 LB	2
8	003262	SCR CAP HEX HD .375-16X1.00L	8	22	003283	NUT, HEX—.250-20, ZN PLT	4
9	003293	NUT, HEX—.375-16, ZN PLT	8	23	026111	TERMINAL BLOCK—4 GERM, 50 AMP	2
10	004214	WSHR LK .390ID.683OD.094TSPLT	8	24	003279	NUT, HEX— 10-24, ZN PLT	8
7	057422	Label: ID KA27		25	004253	WSHR LK .204ID.410OD.025T EXT	8
11	003429	NUT, SPEED, U—.250-20, .58X1.125	4	26	005457	SCR MACH PAN HD 10-24X1.00L	8
12	005279	NUT, HEX LOCK—.375-16, NYLOC	1	27	056473	SPACER, STL—.531X.750C .218L, Z	4
13	054502	BSHG, SLV—.377ID.498OB1.00FLNG	2	28	004238	WSHR FLT .531ID1.00OD.071T STL	4
14	003267	SCR CAP HEX HD .375-16X2.75L	1	29	003270	SCR CAP HEX HD .500-13X1.25L	4
15	035277	WDMT—UPPER CHASSIS, 27"	1	30	003370	NUT, HEX LOCK— 500-13, ZN PLT	4
				31	039563	KIT, WHEEL & AXLE—FOR 055658	2
				19	025252	Red Batt *	
				19	025945	Black Batt *	

TM-1566

KA-27 CHASSIS ASSEMBLY AND PARTS LIST



TM-1452

DET. PART NO.	DESCRIPTION	QUANT.
1	024439 ASM,MTR&GEAR UNIT—24V,W/RINGS	1
2	045815 KEY,SQUARE—.250 SQ, .875 LONG	1
3	035262 WDMT,BRKT—TENSION,DRIVE MTR	1
4	035209 WDMT,LOWER CHASSIS—27" AUTO	1
5	056681 SPACER,STL—.375X.625,.400L	4
6	004212 WSHR LK .326ID.586OD.078TSPLT	8
7	003244 SCR CAP HEX HD .312-18X.750L	8
8	027130 BEARING,SLEEVE—1"ID,1.25"OD	2
9	035097 ASM,WHEEL—10"OD,AUTO'S	1
10	056448 CHAIN,ROLLER—#40,70LK&CONN	1
10	044781 Master link	
11	051376 SPROCKET,CHAIN—#40,.500P,44T	1
12	056245 BRAKE,MECHANICAL—CALIPER	1
13	002234 SCR SET CUP PT .250-20X.500L	1
14	035141 WDMT,SPROCKET—DURASCRUB	1
15	056327 CLAMP,AXLE—BLACK	2
16	003349 NUT,HEX—.312-18,ZN PLT	4
17	056258 AXLE—1.00 DIA X 9-5/16"L	1
18	003283 NUT,HEX—.250-20,ZN PLT	4
19	002278 WSHR LK .262ID.489OD.062TSPLT	4
20	056405 COVER,MOTOR—AUTOMATICS	1

9 056242-1 Polywheel
AVAILABLE ASSEMBLIES

DET. PART NO.	DESCRIPTION	QUANT.
21	054330 ZERK,GREASE—.250-28 THREAD	1
22	003294 NUT,HEX JAM—.375-16,ZN PLT	1
23	002332 SCR CAP HEX HD .375-16X1.75L	1
24	048537 RING,RTNG—EXT.984 SHAFT,5160	2
25	004214 WSHR LK .390ID.683OD.094TSPLT	4
26	004384 WSHR FLT .406ID.875OD.064T STL	4
27	003264 SCR CAP HEX HD .375-16X1.25L	4
28	003259 SCR CAP HEX HD .375-16X.625L	4
29	004215 WSHR LK .398ID.694OD.040T EXT	4
30	005320 WSHR FLT .406ID.750OD.060T STL	4
31	004330 WSHR FLT 1.05ID1.50OD.036T STL	4
32	039276 BRUSH,MTR—FOR 024372&027153	4

035208 ASM, LOWER CHASSIS--INCLUDES ITEMS 1-31

TM-1565