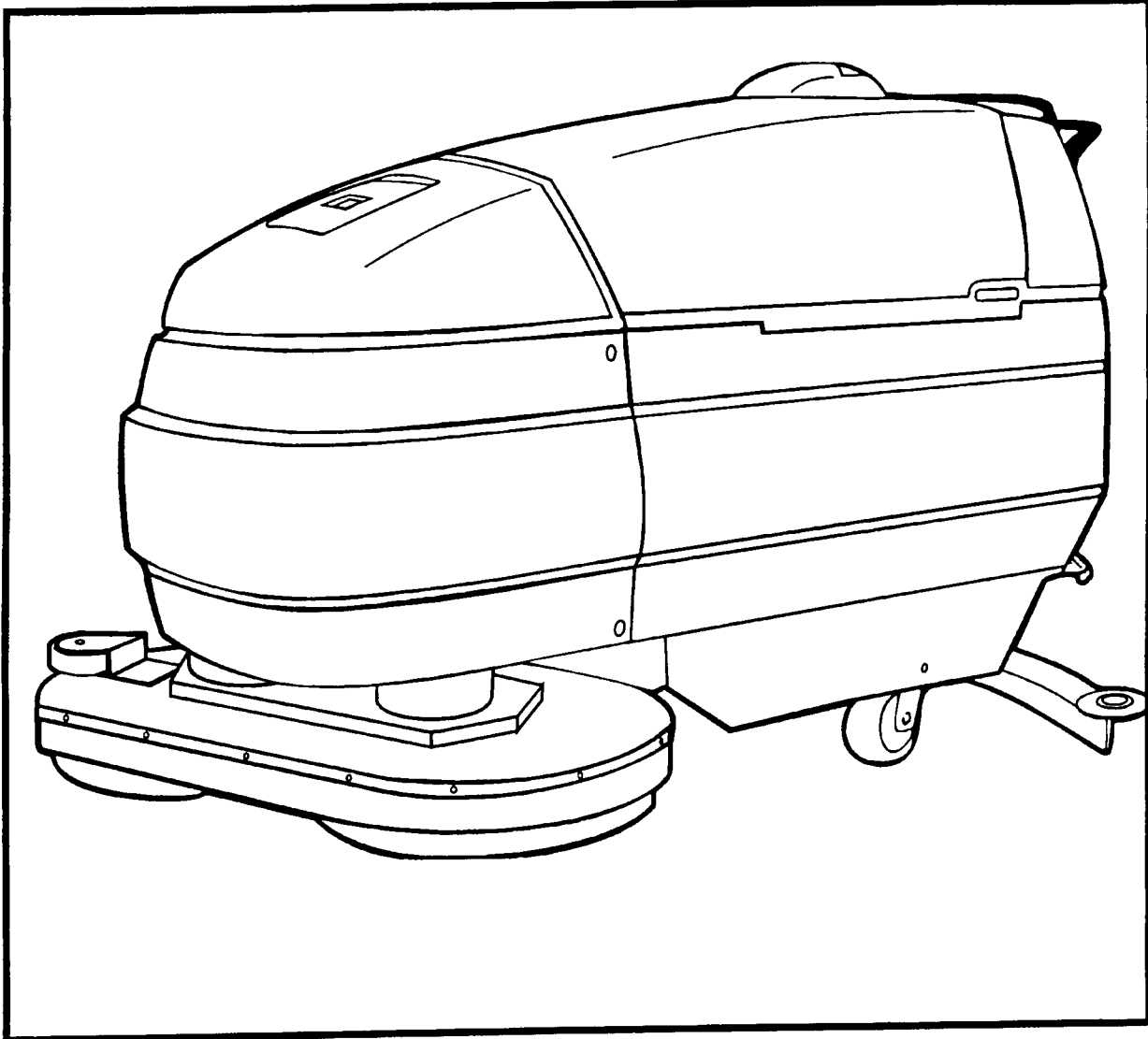




KENT

PARTS



KA-33

Spare Parts List

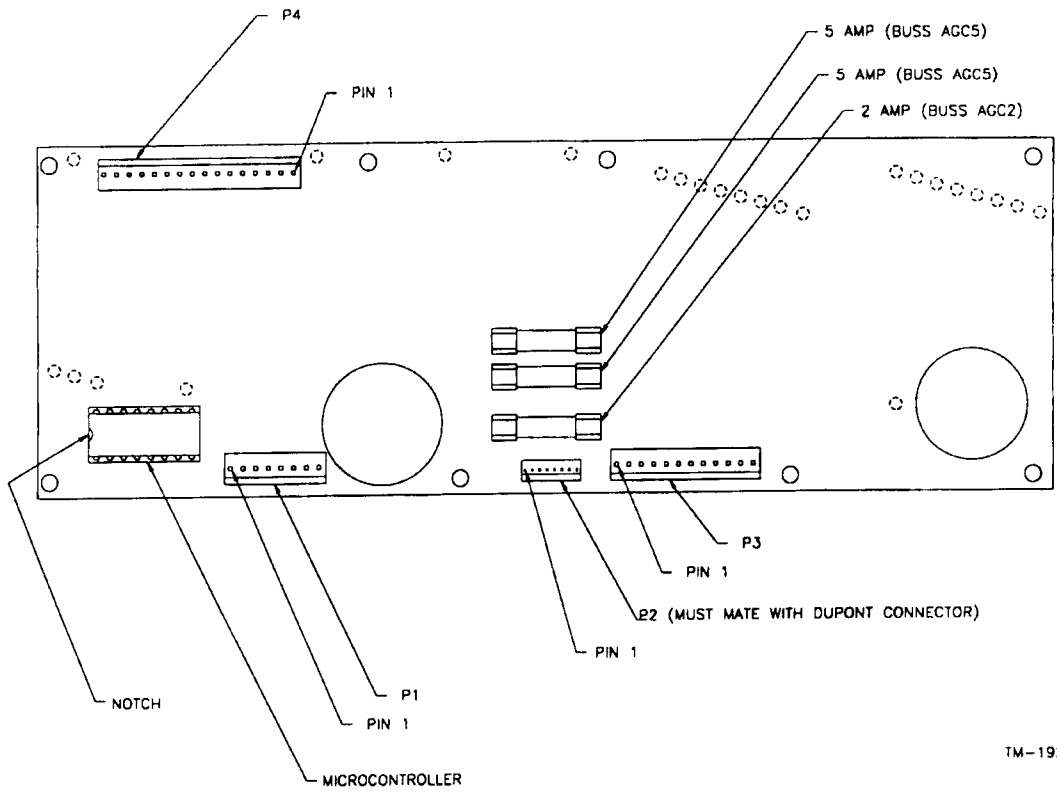
TABLE OF CONTENTS

| | |
|---|-------|
| DURASCRUB SYSTEM CIRCUIT BOARD CONNECTIONS..... | 2 |
| SOLUTION TANK ASSEMBLY..... | 3-4 |
| RECOVERY TANK ASSEMBLY..... | 5-6 |
| BACK PANEL ASSEMBLY..... | 7-8 |
| SQUEEGEE ASSEMBLY..... | 9-10 |
| BRUSH HEAD ASSEMBLY..... | 11-12 |
| REAR COVER ASSEMBLY..... | 13-14 |
| BRUSH COVER ASSEMBLY..... | 15 |
| FRAME ASSEMBLY..... | 16 |
| CHASSIS ASSEMBLY..... | 17 |
| WIRING DIAGRAM..... | 18 |

RECOMMENDED SPARE PARTS

Recommended spare parts should be ordered and stocked to avoid possible downtime in case of failure, breakage, or normal wear.

| <u>PART NO.</u> | <u>DESCRIPTION</u> | <u>QTY.</u> |
|-----------------|---------------------------------------|-------------|
| 035302 | ASM, HOSE--SQUEEGEE, BLK, 22"L | 1 |
| 035129 | ASM, HOSE--TANK, BLK, 36"L | 1 |
| 035179 | ASM, HOSE--DUMP, 1.50 DIA., BLK, 40"L | 1 |
| 039276 | BRUSH, MTR--FOR 024372 MTR | 4 |
| 039428 | BRUSH, MTR--FOR 024373 VAC MTR | 2 |
| 047484 | KNOB | 1 |
| 056428 | RUBBER, SQUEEGEE--33" AUTO, FRONT | 1 |
| 056429 | RUBBER, SQUEEGEE--33" AUTO, REAR | 1 |
| 056430 | RUBBER, SQUEEGEE--33" AUTO, BACKUP | 1 |
| 056466 | GASKET, SQUEEGEE--.187 X 2, 9.75L | 1 |
| 056793 | FILTER, SCREEN--1.85ID, SS | 1 |



SYSTEM CIRCUIT BOARD CONNECTIONS

CONNECTOR P1

| | |
|-------|----------------------------------|
| PIN 1 | TANK PROBE 1 (-), NO. 57 |
| PIN 2 | TANK PROBE 2 (+), NO. 58 |
| PIN 3 | BRUSH UP SWITCH (-), NO. 17 |
| PIN 4 | BRUSH UP SWITCH (+), NO. 18 |
| PIN 5 | BRUSH DOWN SWITCH (-), NO. 23 |
| PIN 6 | BRUSH DOWN SWITCH (+), NO. 22 |
| PIN 7 | ON/OFF HANDLE SWITCH (-), NO. 55 |
| PIN 8 | ON/OFF HANDLE SWITCH (+), NO. 56 |

| | |
|--------|----------------------------------|
| PIN 4 | JUNCTION BAR (-), NO. 60 |
| PIN 5 | JUNCTION BAR (-), NO. 61 |
| PIN 6 | JUNCTION BAR (-), NO. 62 |
| PIN 7 | WATER PUMP (+), NO. 51 |
| PIN 8 | WATER PUMP (-), NO. 52 |
| PIN 9 | LOAD INDICATOR (+), NO. 64 |
| PIN 10 | LOAD INDICATOR |
| PIN 11 | BATTERY LOW INDICATOR (+), NO. 4 |
| PIN 12 | BATTERY LOW INDICATOR (-), NO. 8 |

CONNECTOR P2 (KEYPAD)

Function Pin Combinations:

| | |
|-----------|--------------------|
| PIN 1 | GROUND |
| PIN 2 & 6 | WATER FLOW SELECT |
| PIN 3 & 6 | WATER FLOW ON/OFF |
| PIN 4 & 6 | BRUSH PRESSURE (+) |
| PIN 5 & 6 | BRUSH PRESSURE (-) |
| PIN 2 & 7 | BRUSH INSTALL |
| PIN 3 & 7 | BRUSH REMOVE |
| PIN 4 & 7 | VACUUM ON/OFF |
| PIN 5 & 7 | BRUSH ON/OFF |

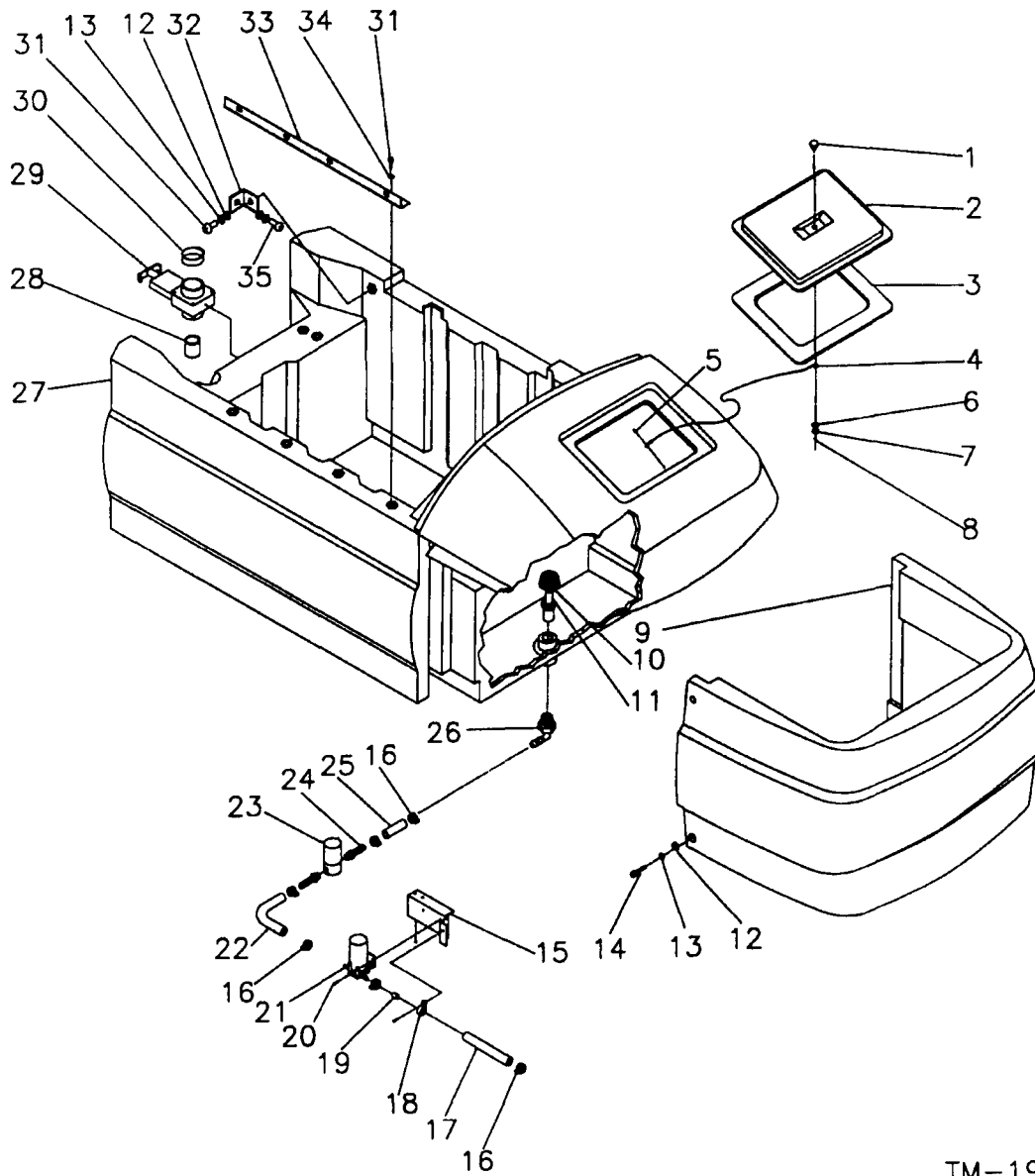
CONNECTOR P4

| | |
|--------|-----------------------------------|
| PIN 1 | BRUSH DOWN SOLENOID (+), NO. 33 |
| PIN 2 | BRUSH DOWN SOLENOID (9-), NO. 32 |
| PIN 3 | BRUSH UP SOLENOID (+), NO. 25 |
| PIN 4 | BRUSH UP SOLENOID (-), NO. 20 |
| PIN 5 | NOT USED |
| PIN 6 | NOT USED |
| PIN 7 | REMOVE SOLENOID (+), NO. 47 |
| PIN 8 | REMOVE SOLENOID (-), NO. 48 |
| PIN 9 | INSTALL SOLENOID (+), NO. 43 |
| PIN 10 | INSTALL SOLENOID (-), NO. 44 |
| PIN 11 | WATER VALVE (+), NO. 49 |
| PIN 12 | WATER VALVE (-), NO. 50 |
| PIN 13 | BRUSH ON/OFF SOLENOID (+), NO. 45 |
| PIN 14 | BRUSH ON/OFF SOLENOID (-), NO. 46 |
| PIN 15 | VAC SOLENOID (+), NO. 53 |
| PIN 16 | VAC SOLENOID (-), NO. 54 |

CONNECTOR P3

| | |
|-------|-----------------------|
| PIN 1 | MAIN SOLENOID, NO. 63 |
| PIN 2 | NOT USED |
| PIN 3 | NOT USED |

KA-33 SOLUTION TANK ASSEMBLY



TM-1939

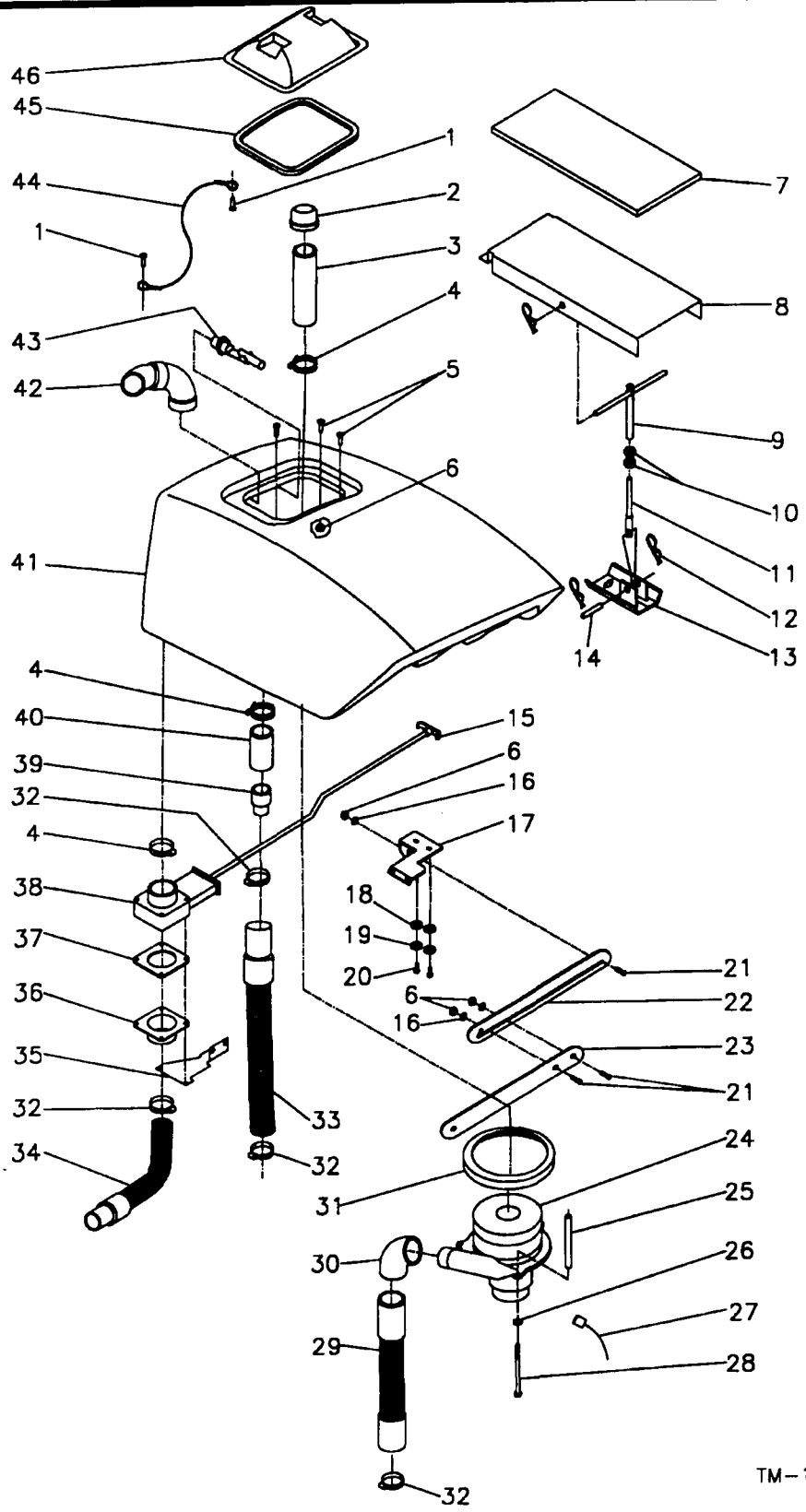
KA-33 SOLUTION TANK ASSEMBLY

| DET | PART NO. | DESCRIPTION | QTY | DET | PART NO. | DESCRIPTION | QTY |
|-----|----------|--------------------------------|-----|-----|----------|--------------------------------|-----|
| 1 | 048022 | KNOB,THUMB SCR-10-24,INT. | 1 | 19 | 057688 | SPACER,SS--.106X.400,.500L | 1 |
| 2 | 056250 | LID,TANK-DURASCRUB | 1 | 20 | 005316 | SCR TPG F PAN HD 10-24X.375L | 5 |
| 3 | 056379 | GASKET,FOAM-EXTR.RECOVERY | 1 | 21 | 035257 | ASM,PUMP-12V,1GPM | 1 |
| 4 | 053793 | WIRE ROPE-.062 DIA X 10.50L | 1 | 22 | 054293 | TUBE,VINYL--.375X.625,6.5L | 1 |
| 5 | 002382 | SCR TPG F PAN HD 10-10X.500L | 1 | 23 | 027145 | VALVE,SOLENOID-24V | 1 |
| 6 | 005407 | WSHR FLT .203ID.562OD.045T STL | 1 | 24 | 054691 | ADPTR,PP-HS-3/8MPTX3/8HS,BRS | 2 |
| 7 | 004253 | WSHR LK .204ID.410OD.025T EXT | 1 | 25 | 057580-8 | TUBE,VINYL--.375X.625,5.0L,R | 1 |
| 8 | 005456 | SCR MACH PAN HD 10-24X.500L | 1 | 26 | 055523 | ELBOW,PP-HS-1/2 MPTX3/8HS,NY | 1 |
| 9 | 056648 | COVER,FRONT-FLAME TREATED | 1 | 27 | 057802-1 | TANK,SOLUTION-MACHINED,33/39 | 1 |
| 10 | 057209 | LINE STRAINER-80 MICRON,S.S. | 1 | 28 | 056593 | TUBE,PLSTC-1.58-1.50 REDUCER | 1 |
| 11 | 051207 | ADPTR,PP-HS-1/2MPTX3/8HS,PLS | 1 | 29 | 055070 | VALVE,SLIDE-SHUTOFF,1.5PIPE,T | 1 |
| 12 | 004208 | WSHR FLT .281ID.500OD.036T STL | 4 | 30 | 049999 | CLAMP,HOSE-2.25 MAX DIA,WORM | 1 |
| 13 | 004254 | WSHR LK .267ID.510OD.028T EXT | 4 | 31 | 223218 | SCR CAP HEX HD .250-20X.625L | 6 |
| 14 | 002471 | SCR CAP SOC HD-.25-20X1.25 L | 4 | 32 | 056857 | BRACKET,ANGLE-11GA,1.50WIDE | 2 |
| 15 | 056659 | BRACKET,WATER PUMP- | 1 | 33 | 056514 | HINGE,BUTT-RS 056291,BLACK | 1 |
| 16 | 051581 | CLAMP,HOSE-.625 MAX DIA,WORM | 6 | 34 | 004207 | WSHR FLT .281ID.562OD.063T BRS | 4 |
| 17 | 054577 | TUBE,VINYL--.375X.625,14.62L,R | 1 | 35 | 001514 | SCR TPG F PAN HD .250-20X.375L | 2 |
| 18 | 051474 | CLAMP,LOOP-.625 CLOSED ID,NYL | 1 | | | | |

AVAILABLE ASSEMBLIES

035615 ASM, SOLUTION TANK--INCLUDES ITEMS 1-7, 11-18, 31-32, 36, 38-42

KA-33 RECOVERY TANK ASSEMBLY



TM-1941

KA-33 RECOVERY TANK ASSEMBLY

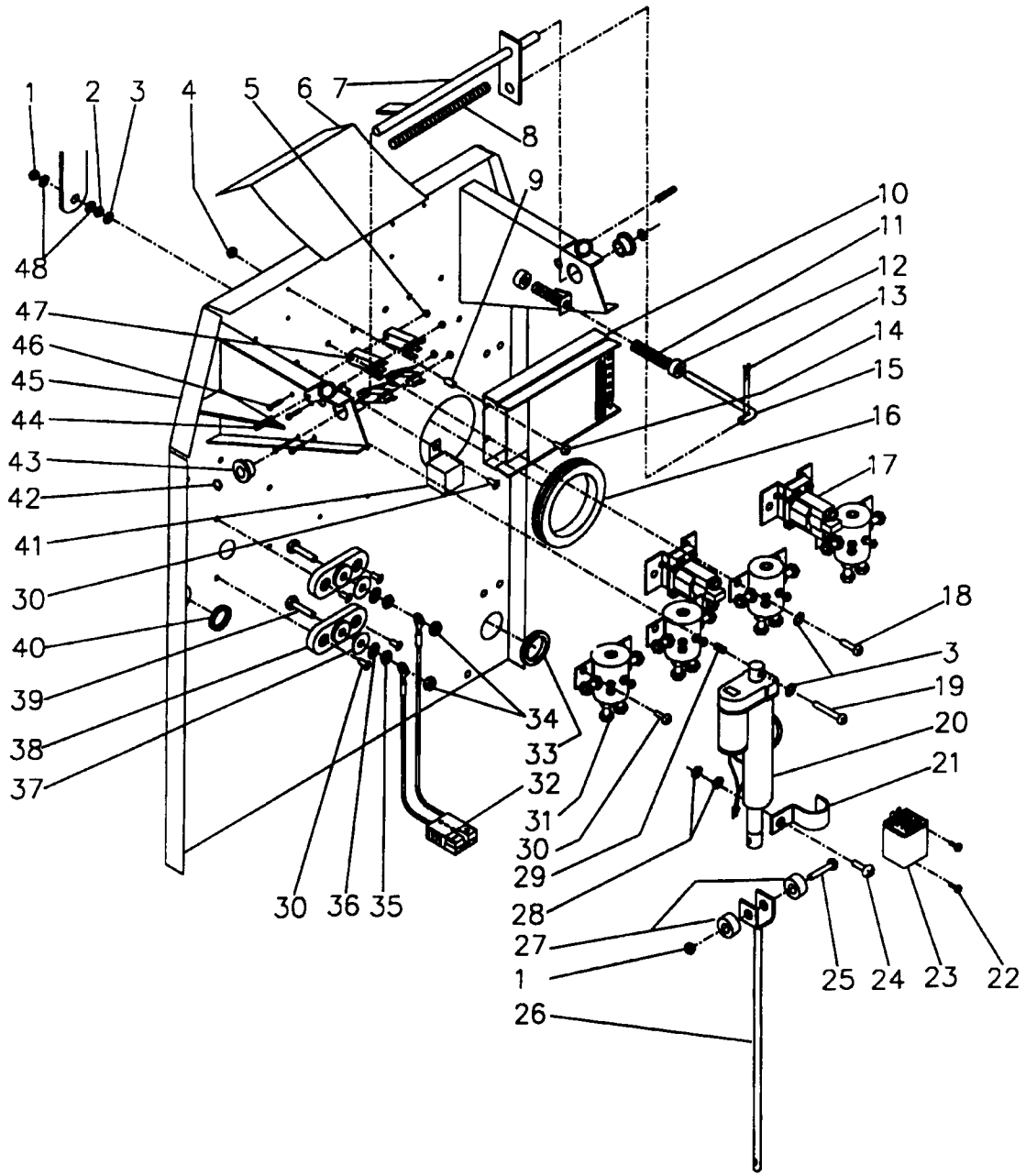
| DET | PART NO. | DESCRIPTION | QTY |
|-----|-----------|--------------------------------|-----|
| 1 | 002382 | SCR TPG F PAN HD 10-10X.500L | 2 |
| 2 | 056793 | FILTER,SCREEN-1.85ID,SS | 1 |
| 3 | 055494 | PIPE,PVC--1.50 SCH40 X 6.00L | 1 |
| 4 | 049999 | CLAMP,HOSE--2.25 MAX DIA,WORM | 3 |
| 5 | 002491 | SCR MACH FLT HD 10-24X1LSS | 3 |
| 6 | 005480 | NUT,HEX LOCK-- 10-24,NYLOC | 4 |
| 7 | 057076 | GASKET,SUPPORT--33&39AUTO | 1 |
| 8 | 057075 | PLATE,STL--VAC TANK SUPPORT | 1 |
| 9 | 035326 | WDMT,SUPPORT--AUTOS | 1 |
| 10 | 003438 | NUT,HEX JAM--.375-16,SST | 2 |
| 11 | 035327 | WDMT,SUPPORT--REC TANK | 1 |
| 12 | 004352 | PIN,LOCK--.125 DIA WIRE | 4 |
| 13 | 035365 | WDMT,VAC TANK--SUPPORT,33&39 | 1 |
| 14 | 057026 | PIN,STL--3/8"OD,SS | 1 |
| 15 | 057187 | HANDLE,SLIDE VALVE--SERVICE | 1 |
| 16 | 005433 | WSHR FLT .281ID.750OD.120T STL | 6 |
| 18 | 005323 | WSHR FLT .203ID.500OD.036T STL | 2 |
| 19 | 004253 | WSHR LK .204ID.410OD.025T EXT | 2 |
| 20 | 001366 | SCR MACH PAN HD 10-32X.500L | 2 |
| 21 | 002429 | SCR SHLDR SOC HD 10-24X.375 S | 3 |
| 22 | 057508-02 | BAR,STL--11GA,W/SLOT,PLATED | 1 |
| 23 | 057505-02 | BAR,STL--11GA,PLATED | 1 |
| 24 | 035240 | ASM,VAC MTR--36V,3-STAGE | 1 |

| DET | PART NO. | DESCRIPTION | QTY |
|-----|-----------|--------------------------------|-----|
| 25 | 056764 | SPACER,PHEN--.265X.500X3.156L | 3 |
| 26 | 004254 | WSHR LK .267ID.510OD.028T EXT | 3 |
| 27 | 039428 | BRUSH,MTR--FOR 024373 VAC MTR | 2 |
| 28 | 223213 | SCR CAP HEX HD .250-20X4.00L | 3 |
| 29 | 035564 | ASM,HOSE--BLK,CUFFS & ELBOW | 1 |
| 30 | 056676 | ELBOW,PIPE--RS 98402,CUT OFF | 1 |
| 31 | E23788B | RING-MOTOR MOUNTING | 1 |
| 32 | 046688 | CLAMP,HOSE--1.75 MAX DIA,WORM | 4 |
| 33 | 035129 | ASM,HOSE--TANK,1.50 DIA,BLK | 1 |
| 34 | 035179 | ASM,HOSE--DUMP,BLK,1.50 DIA | 1 |
| 35 | 057671-05 | BKT,STL--16GA.TAML VALVE | 1 |
| 36 | 035160 | WDMT,DRAIN--RECOVERY TANK | 1 |
| 37 | 054762 | GASKET,FOAM--.187X2.87X2.87 | 1 |
| 38 | 057337 | VALVE,SLIDE--33SS | 1 |
| 39 | 053894 | FITTING--REDUCER,1.66-1.50,PLS | 1 |
| 40 | 056675 | TUBE,PVC--AUTO | 1 |
| 41 | 057297-1 | TANK,REC--MACH'D,KA-33SS | 1 |
| 42 | 056758 | ASM,ELBOW--RECOVERY TANK | 1 |
| 43 | 057002 | SWITCH,FLOAT W/WIRE | 1 |
| 44 | 056617 | WIRE ROPE--.062DIA X 6.00L | 1 |
| 45 | 057890 | GASKET--.375X.375X36.00L | 1 |
| 46 | 057579 | LID,DOMED--DURASCRUB,CLEAR | 1 |

AVAILABLE ASSEMBLIES

035431 ASM, RECOVERY TANK--INCLUDES ITEMS 1-15, 17-21, 24-35, 37-47

KA-33 BACK PANEL ASSEMBLY



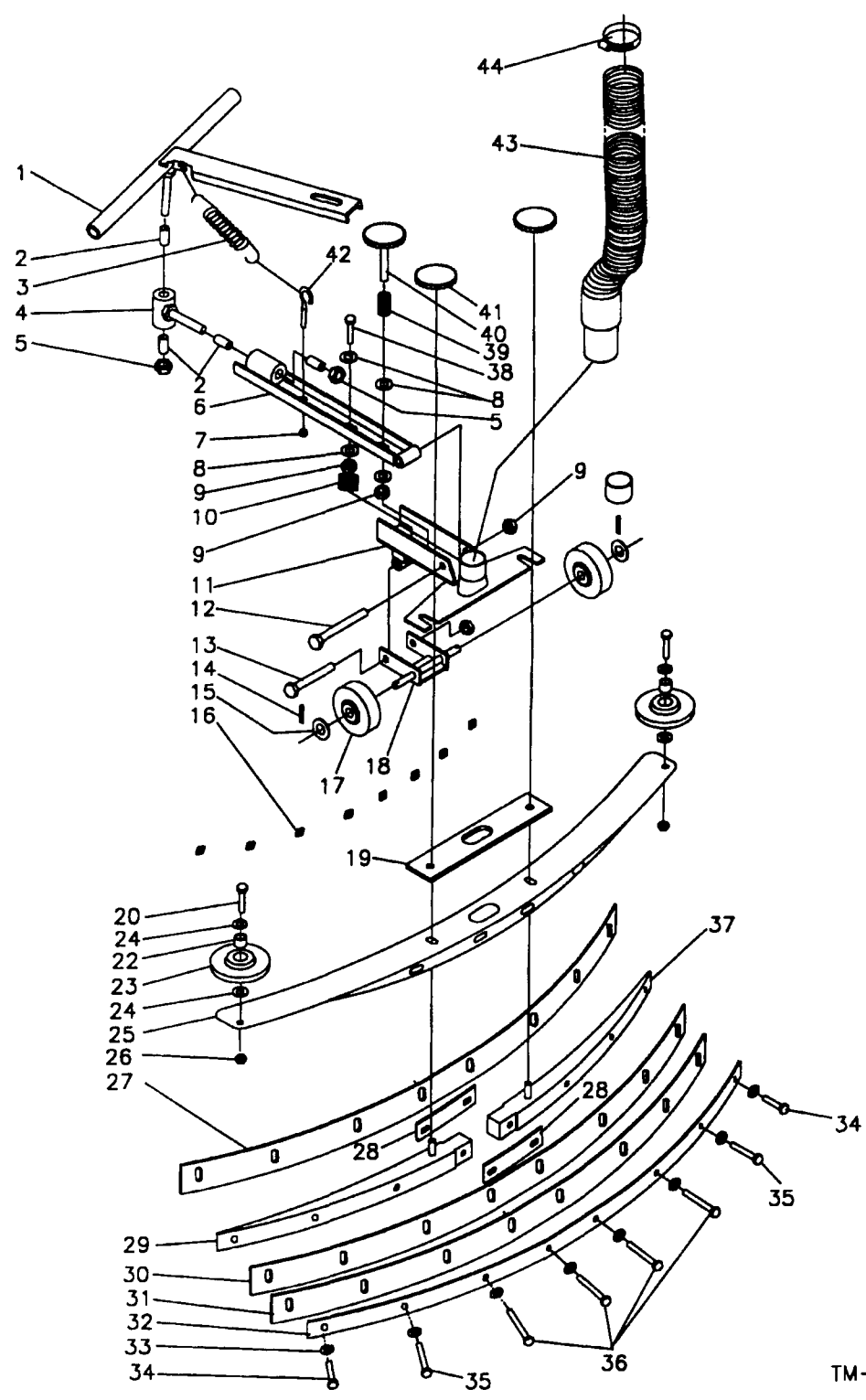
TM-1955

KA-33 BACK PANEL ASSEMBLY

| DET | PART NO. | DESCRIPTION | QTY |
|-----|----------|--------------------------------|-----|
| 1 | 003363 | NUT,HEX LOCK--250-20,ZN PLT | 2 |
| 2 | 222258 | NUT,HEX--250-20,SS | 1 |
| 3 | 004254 | WSHR LK .267ID.510OD.028T EXT | 3 |
| 4 | 003415 | NUT,HEX LOCK-- 8-32,NYLOC,ZN | 2 |
| 5 | 003361 | NUT,HEX LOCK-- 6-32,NYLOC | 4 |
| 6 | 026164 | INSULATOR,ELEC--MYLAR,11.5X7 | 1 |
| 7 | 035384 | WDMT,SHAFT--ACTUATOR | 1 |
| 8 | 057176 | TUBE,PLSTC--SLIT,.81ODX11.0"L | 1 |
| 9 | 057428 | SPACER,ALUM--.187X.375, .375L | 2 |
| 10 | 027237 | CONTROL--DC,AUTOS,CRTS,36V | 1 |
| 11 | 056597 | SPRING,COMP .480D 2.75L .045WD | 2 |
| 12 | 048987 | COLLAR-CENTERING SPRING | 2 |
| 13 | 004297 | PIN,COTTER--.094X .750 LONG | 2 |
| 14 | 005410 | SCR MACH RD HD 8-32X1.00L | 2 |
| 15 | 053296 | ROD,STL--.312 DIA., 6.00 LONG | 1 |
| 16 | 054845 | GROM--3.00ID,3.50MHD,.12PA | 1 |
| 17 | 026504 | SOLENOID--SWITCH,SPNO,36VDC | 2 |
| 18 | 002263 | SCR MACH RD HD .250-20X1.25L | 1 |
| 19 | 002267 | SCR CAP HEX HD .250-20X1.50L | 1 |
| 20 | 027137 | ACTUATOR--36V,75LBS,3IN STROKE | 1 |
| 21 | 056623 | STRAP,CONDUIT--1IN RIGID | 1 |
| 22 | 005313 | SCR TPG F PAN HD 8-32X.312L | 2 |
| 23 | 027136 | RELAY,DPDT--24VDC,10 AMPS | 1 |
| 24 | 002371 | SCR TPG F PAN HD 10-24X.625L | 1 |
| 25 | 002282 | SCR CAP HEX HD .250-20X2.50L | 1 |

| DET | PART NO. | DESCRIPTION | QTY |
|-----|----------|--------------------------------|-----|
| 26 | 035183 | WDMT,ACTUATOR--SQUEEGEE | 1 |
| 27 | 050575 | SPACER,PHEN--.281X.875, .375L | 2 |
| 28 | 004336 | WSHR FLT .281ID.875OD.125T STL | 2 |
| 29 | 049343 | SPACER,STL--.375X.500, .437L,Z | 1 |
| 30 | 001514 | SCR TPG F PAN HD .250-20X.375L | 16 |
| 31 | 026713 | SOLENOID,DPDT--SWITCH,36V | 4 |
| 32 | 027152 | ASM,CHARGER PLUG--2 CNDCT | 1 |
| 33 | 056672 | GROM--2"IDX2.44MHDX.12PA | 1 |
| 34 | 003472 | NUT,HEX LOCK--.312-18,NYLOC | 2 |
| 35 | 003356 | NUT,HEX JAM--.312-18,ZN PLT | 2 |
| 36 | 004444 | WSHR LK .332ID.610OD.034T EXT | 2 |
| 37 | 004221 | WSHR FLT .344ID1.00OD.036T STL | 2 |
| 38 | 057872 | INSULATOR--MAIN TERMINAL | 2 |
| 39 | 003249 | SCR CAP HEX HD .312-18X1.25L | 2 |
| 40 | 055434 | GROM--1.0ID,1.25MHD,.125PA | 1 |
| 41 | 026180 | RELAY,POWER--24VDC,40/30A,SPDT | 1 |
| 42 | 004351 | RING,RTNG--EXT,.500 SHAFT, "E" | 2 |
| 43 | 027131 | BRG,FLANGE--.500ID.750OD.500W | 2 |
| 44 | 005624 | PIN,ROLL--.312 DIA,1.000L | 2 |
| 45 | 035463 | WDMT,BACK PANEL--KA-33SS | 1 |
| 46 | 001489 | SCR MACH RD HD 6-32X1.75L | 4 |
| 47 | 026603 | SWITCH,LVR--SPDT,20A,125-250V | 4 |
| 48 | 005433 | WSHR FLT .281ID.750OD.120T STL | 2 |

KA-33 SQUEEGEE ASSEMBLY



TM-1927

KA-33 SQUEEGEE ASSEMBLY

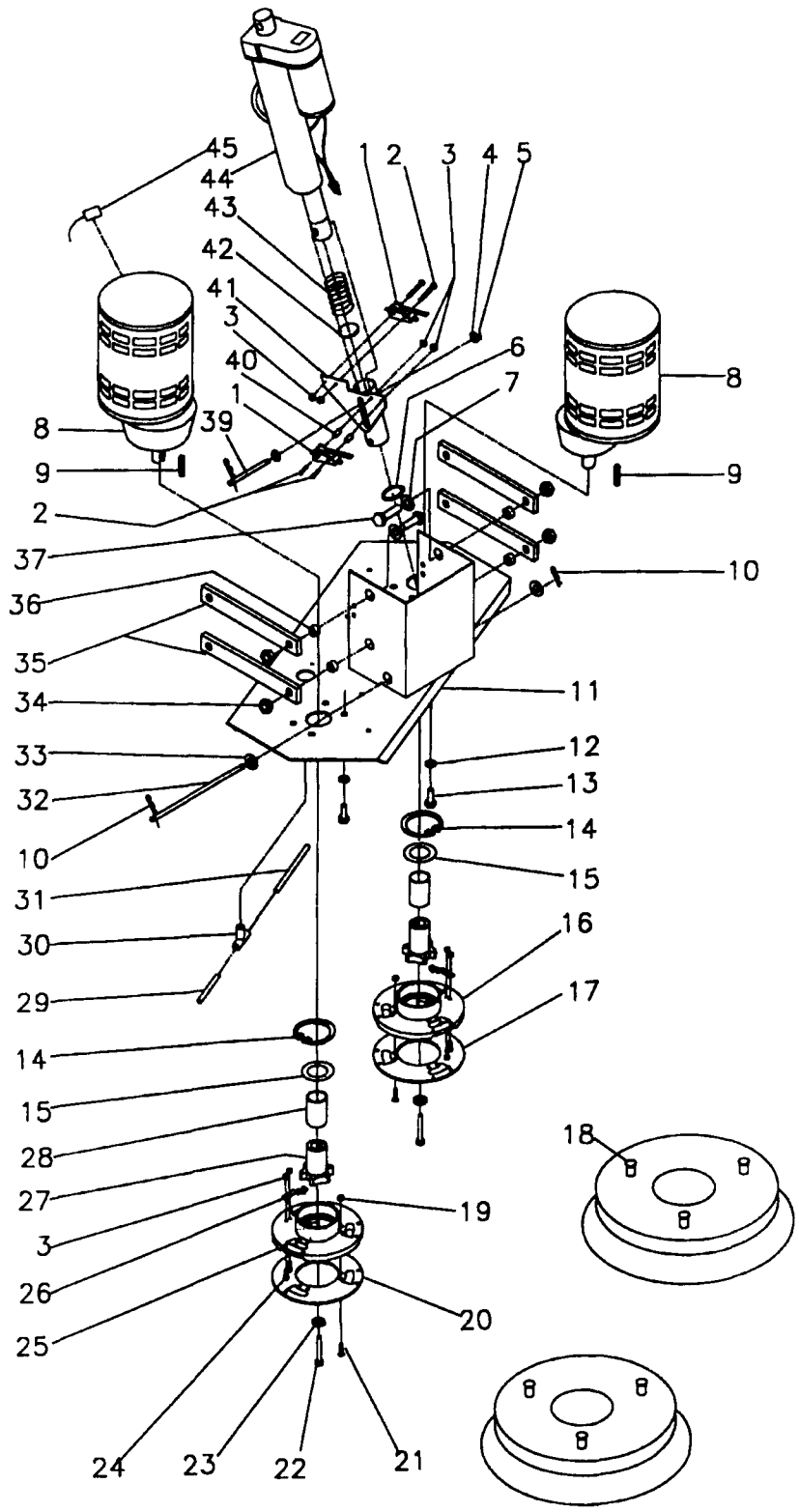
| DET | PART NO. | DESCRIPTION | QTY |
|-----|----------|--------------------------------|-----|
| 1 | 035139 | WDMT,SQUEEGEE LIFT--33&39 AUTO | 1 |
| 2 | 027171 | BRG,SLV--.500ID,.625OD,.750W | 4 |
| 3 | 051136 | SPRING,EXT .750D 2.92L .104WD | 1 |
| 4 | 035150 | WDMT,SQUEEGEE PIVOT--33&39AUTO | 1 |
| 5 | 003370 | NUT,HEX LOCK--.500-13,ZN PLT | 2 |
| 6 | 035137 | WDMT,SQUEEGEE BAR--33&39 AUTOS | 1 |
| 7 | 005479 | NUT,HEX LOCK--.250-20,NYLOC,ZN | 1 |
| 8 | 005219 | WSHR FLT .406ID1.000D.071T STL | 4 |
| 9 | 005279 | NUT,HEX LOCK--.375-16,NYLOC | 4 |
| 10 | 056808 | SPRING,COMP .970D .750L .072WD | 1 |
| 11 | 035138 | WDMT,SQUEEGEE BRACKET--33&39 | 1 |
| 12 | 002445 | SCR CAP HEX HD .375-16-2.50L | 1 |
| 13 | 003268 | SCR CAP HEX HD .375-16X3.00L | 1 |
| 14 | 005383 | PIN,COTTER--.094X1.000 LONG | 2 |
| 15 | 004223 | WSHR FLT .406ID.625OD.036T STL | 2 |
| 16 | 005591 | NUT,SELF RETAINING--.250-20 | 8 |
| 17 | 057193 | WHEEL,PLASTIC--3"OD,3/8"BORE | 2 |
| 18 | 034172 | WDMT,BRACKET--SQUEEGEE WHEEL | 1 |
| 19 | 056466 | GASKET,SQUEEGEE--.187X2.9.75L | 1 |
| 20 | 003249 | SCR CAP HEX HD .312-18X1.25L | 2 |
| 22 | 053699 | SPACER,STL--.312X.437,.43L | 2 |
| 23 | 053720 | WHEEL--4.00DIA,.438BORE,.688HB | 2 |

| DET | PART NO. | DESCRIPTION | QTY |
|-----|----------|--------------------------------|-----|
| 24 | 004218 | WSHR FLT .344ID.750OD.060T STL | 4 |
| 25 | 035100 | WDMT,SQUEEGEE--33 AUTO | 1 |
| 26 | 003378 | NUT,HEX LOCK--.312-18,ZN PLT | 2 |
| 27 | 056428 | RUBBER,SQUEEGEE--33 AUTO,FRONT | 1 |
| 28 | 056461 | CLAMP,SQUEEGEE--11GA,5.00L | 2 |
| 29 | 056454 | SPACER,SQUEEGEE--33 AUTO,LEFT | 1 |
| 30 | 056429 | RUBBER,SQUEEGEE--33 AUTO,REAR | 1 |
| 31 | 056430 | RUBBER,SQUEEGEE--33AUTO,BACKUP | 1 |
| 32 | 056455 | STRAP,SQUEEGEE--33 AUTO | 1 |
| 33 | 004531 | WSHR FLT .281ID.625OD.080T,SS | 10 |
| 34 | 002454 | SCR CAP HEX HD .250-20X1.50L | 2 |
| 35 | 002476 | SCR CAP HEX HD .250-20X2.00L | 4 |
| 36 | 002455 | SCR CAP HEX HD .250-20X2.50L | 4 |
| 37 | 056434 | SPACER,SQUEEGEE-33 AUTO,RIGHT | 1 |
| 38 | 002332 | SCR CAP HEX HD .375-16X1.75L | 1 |
| 39 | 056585 | SPRING,COMP .845D 1.75L .085WD | 1 |
| 40 | 035163 | ASM,KNOB--ADJUSTMENT,.375-16 | 1 |
| 41 | 047484 | KNOB,PLSTC--2.38OD,.38-16THD | 2 |
| 42 | 005594 | BOLT,EYE--.250-20,X1.0 SHANK | 1 |
| 43 | 035302 | ASM,HOSE--SQUEEGEE,1.5DIA,BLK | 1 |
| 44 | 046688 | CLAMP,HOSE--1.75 MAX DIA,WORM | 1 |

AVAILABLE ASSEMBLIES

035133 ASM, SQUEEGEE--INCLUDES ITEMS 16, 19-37
 035140 ASM, SQUEEGEE LINKAGE--INCLUDES ITEMS 1-18, 38-41

KA-33 BRUSH HEAD ASSEMBLY



TM-1956

KA-33 BRUSH HEAD ASSEMBLY

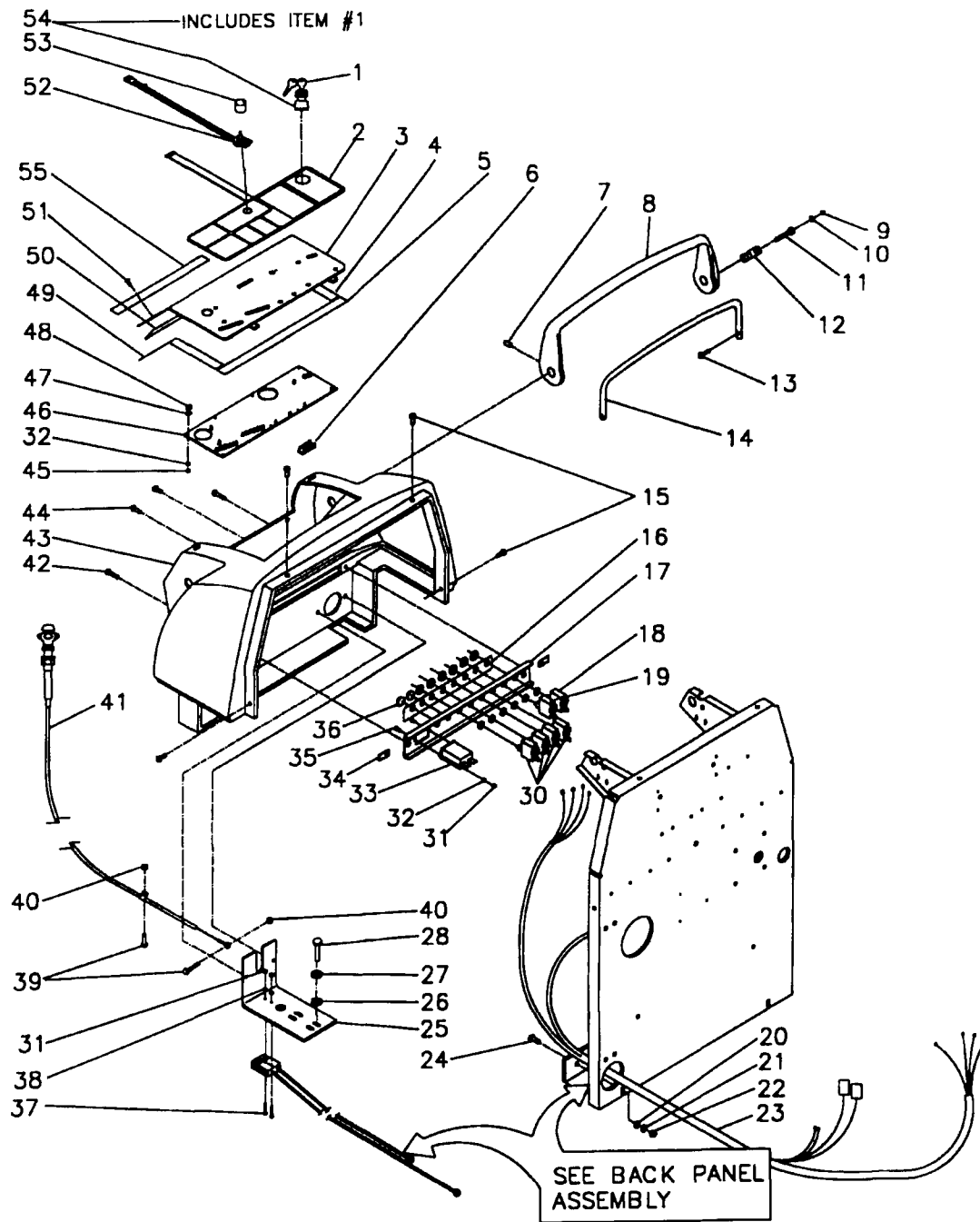
| DET | PART NO. | DESCRIPTION | QTY |
|-----|----------|--------------------------------|-----|
| 1 | 026603 | SWITCH,LVR--SPDT,20A,125-250V | 2 |
| 2 | 005261 | SCR MACH RD HD 6-32X1.25L | 4 |
| 3 | 003361 | NUT,HEX LOCK-- 6-32,NYLOC | 4 |
| 4 | 005227 | WSHR FLT .531ID.875OD.036T STL | 2 |
| 5 | 005200 | PIN,COTTER--.125X1.000 LONG | 2 |
| 6 | 046762 | RING,RTNG--INT,1.18 CYL,N5000 | 1 |
| 7 | 004238 | WSHR FLT .531ID1.00OD.071T STL | 4 |
| 8 | 024440 | ASM,MTR&GEAR UNIT--36V,W/RINGS | 2 |
| 9 | 057663 | KEY,SQUARE--.250 SQ,1.437 LONG | 2 |
| 10 | 004352 | PIN,LOCK--.125 DIA WIRE | 2 |
| 11 | 035078 | WDMT,BRUSH HEAD--33 DURASCRUB | 1 |
| 12 | 004214 | WSHR LK .390ID.683OD.094TSPLT | 8 |
| 13 | 003262 | SCR CAP HEX HD .375-16X1.00L | 8 |
| 14 | 004529 | RING,RTNG--INT,2.375 BORE | 2 |
| 15 | 004548 | WSHR FLT 1.770ID2.342OD.078T | 2 |
| 16 | 056447 | HUB,DRIVE--BRUSH,AUTOS,RIGHT | 1 |
| 17 | 057160 | PLATE,SS--BRUSH MTG RING,LEFT | 1 |
| 18 | 005630 | LUG,BRUSH--.250-20 THREAD | 6 |
| 19 | 222224 | NUT,HEX LOCK-- 10-24,ZN PLT | 12 |
| 20 | 057159 | PLATE,SS--BRUSH MTG RING,RIGHT | 1 |
| 21 | 002473 | SCR MACH FLT HD 10-24X.875L | 12 |
| 22 | 002499 | SCR CAP SOC HD .312-18X1.50L | 2 |

| DET | PART NO. | DESCRIPTION | QTY |
|-----|----------|--------------------------------|-----|
| 23 | 005358 | WSHR LK--.326ID.586OD.078T SPL | 2 |
| 24 | 001515 | SCR MACH PAN HD 6-32X.500L | 4 |
| 25 | 056446 | HUB,DRIVE--BRUSH,AUTOS,LEFT | 1 |
| 26 | 056468 | CLIP,RETAINING--BRUSH LUG | 2 |
| 27 | 056445 | SHAFT,DRIVE--BRUSH,AUTOS | 2 |
| 28 | 056464 | TUBE,SS--1.50OD,16GA,1.937L | 2 |
| 29 | 057580-9 | TUBE,VINYL--.375X.625,4.3L,R | 1 |
| 30 | 046944 | TEE,HOSE--3/8X3/8X3/8,PLSTC | 1 |
| 31 | 056788 | TUBE,VINYL--.375X.625,12.00L,R | 1 |
| 32 | 056474 | SHAFT,STL--.375DIA, 8.00L | 1 |
| 33 | 005219 | WSHR FLT .406ID1.00OD.071T STL | 2 |
| 34 | 003370 | NUT,HEX LOCK--.500-13,ZN PLT | 4 |
| 35 | 056254 | BAR,STL--.375X1.25, 9.00L | 4 |
| 36 | 056473 | SPACER,STL--.531X.750, .218L,Z | 4 |
| 37 | 003270 | SCR CAP HEX HD .500-13X1.25L | 4 |
| 39 | 056155 | PIN--ACTUATOR | 1 |
| 40 | 046425 | SPACER,PHEN--.250X.437, .250L | 2 |
| 41 | 035120 | WDMT,BRUSH LIFT TUBE--DURASCR | 1 |
| 42 | 056639 | PLATE,STL--13GA,1.125DIA | 1 |
| 43 | 054427 | SPRING,COMP 1.09D 2.50L .035WD | 1 |
| 44 | 024368 | ACTUATOR,DC--36V,500LBS,6IN | 1 |
| 45 | 039276 | BRUSH,MTR--FOR 024372&027153 | 8 |

AVAILABLE ASSEMBLIES

- 035079 ASM, BRUSH HEAD--INCLUDES ITEMS 1-51, 53
- 035131 ASM, DRIVE HUB, RIGHT--INCLUDES ITEMS 7, 35-45, 48, 51
- 035132 ASM, DRIVE HUB, LEFT--INCLUDES ITEMS 7, 35-38, 40-43, 45-48, 51

KA-33 REAR COVER ASSEMBLY



TM-1957

KA-33 REAR COVER ASSEMBLY

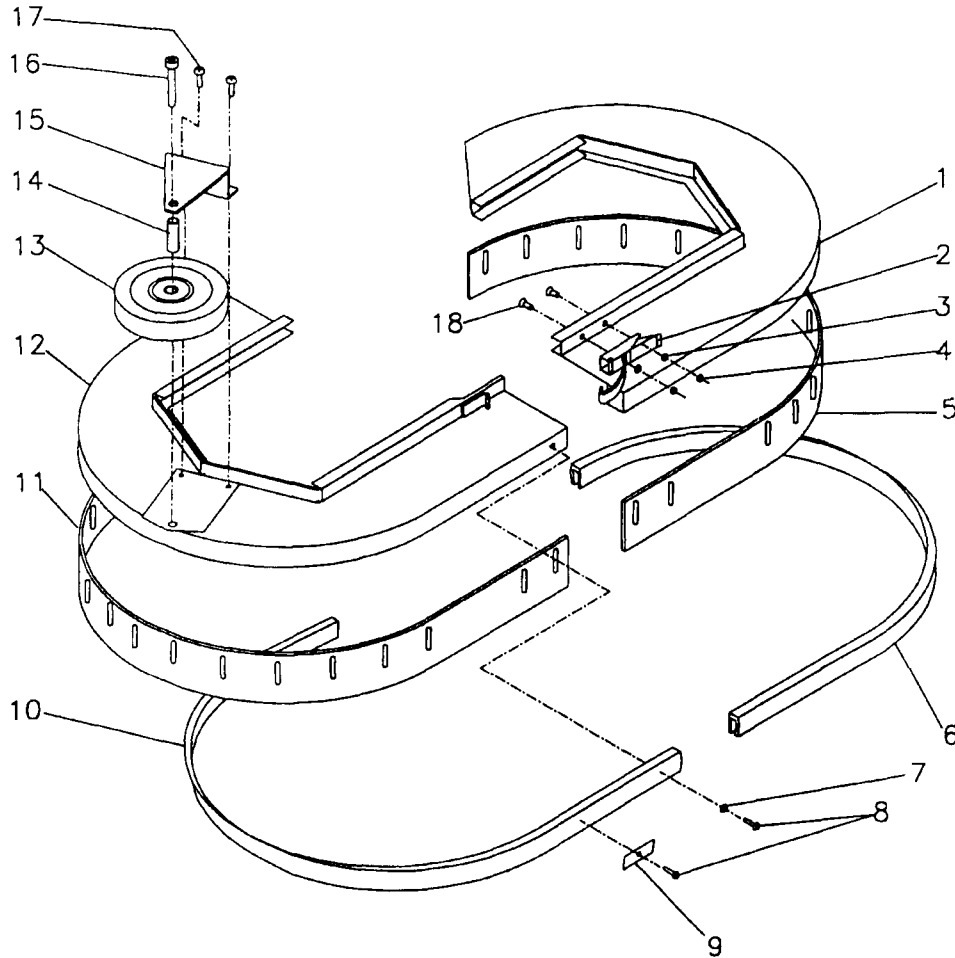
| DET | PART NO. | DESCRIPTION | QTY |
|-----|----------|--------------------------------|-----|
| 1 | 057243 | KEY,AUTOMATICS--FOR P/N 026584 | 1 |
| 2 | 057603 | SWITCH PANEL--MEMBRANE,INT'L | 1 |
| 3 | 035128 | WDMT,INSTR PANEL--33&39 | 1 |
| 4 | 057308 | GASKET--.125x.500,8.656L,LEFT | 1 |
| 5 | 057306 | GASKET--.125x.500,13.75L,TOP | 1 |
| 6 | 027156 | MICROCONTROLLER--STD,DURASCRUB | 1 |
| 7 | 005387 | SCR SET CUP PT .312-18X.500L | 2 |
| 8 | 056594 | HANDLE,ACTUATOR--AUTOS,PAINTED | 1 |
| 9 | 056761 | RING,RTNG--INT.,500BORE,N5000 | 2 |
| 10 | 004208 | WSHR FLT .281ID.500OD.036T STL | 2 |
| 11 | 002337 | SCR CAP SOC HD .250-20X1.50L | 2 |
| 12 | 056359 | SHAFT,STL--.750DIA,1.75L | 2 |
| 13 | 005478 | SCR MACH RD HD .250-20X.500L | 2 |
| 14 | 056595 | HANDLE,STL--.625DIA,PAINTED | 1 |
| 15 | 001331 | SCR TPG C PAN HD 10-24X.750L | 4 |
| 16 | 056649 | LABEL,IDENT--CIRCUIT BREAKERS | 1 |
| 17 | 056499 | PANEL,CIRCUIT BREAKER--AUTOS | 1 |
| 18 | 027146 | CIRCUIT BREAKER--1.5AMP | 1 |
| 19 | 026751 | CIRCUIT BREAKER--10AMP | 1 |
| 20 | 004218 | WSHR FLT .344ID.750OD.060T STL | 2 |
| 21 | 004212 | WSHR LK .326ID.586OD.078TSPLT | 2 |
| 22 | 003349 | NUT,HEX--.312-18,ZN PLT | 2 |
| 23 | 027140 | HARNES,WIRE--MAIN,DURASCRUB | 1 |
| 24 | 003244 | SCR CAP HEX HD .312-18X.750L | 2 |
| 25 | 056840 | BRACKET,STL--11GA,BRAKE | 1 |
| 26 | 004254 | WSHR LK .267ID.510OD.028T EXT | 4 |
| 27 | 002278 | WSHR LK .262ID.489OD.062TSPLT | 2 |

| DET | PART NO. | DESCRIPTION | QTY |
|-----|----------|---------------------------------|-----|
| 28 | 223218 | SCR CAP HEX HD .250-20X.625L | 2 |
| 30 | 026198 | CIRCUIT BREAKER--30AMP,SCR TRM | 4 |
| 31 | 003274 | NUT,HEX-- 6-32,ZN PLT | 4 |
| 32 | 004249 | WSHR LK .150ID.320OD.022T EXT | 10 |
| 33 | 027147 | HOURLMETER--10-80VDC,RECTANG | 1 |
| 34 | 003429 | NUT,SPEED,U--.250-20,.58X1.125 | 2 |
| 35 | 223188 | SCR MACH PAN HD 6-32X.500L | 2 |
| 36 | 057103 | PLUG,DOME--.500DIA,BLK PLSTC | 2 |
| 37 | 001248 | SCR MACH RD HD 6-32X1.00L | 2 |
| 38 | 004250 | WSHR LK .148ID.250OD.031TSPLT | 2 |
| 39 | 005456 | SCR MACH PAN HD 10-24X.500L | 2 |
| 40 | 005480 | NUT,HEX LOCK-- 10-24,NYLOC | 2 |
| 41 | 056323 | ASM,CABLE--BRAKE,VERNIER CNTRL | 1 |
| 42 | 002248 | SCR MACH RD HD .250-20X.750L | 2 |
| 43 | 056368 | COVER,REAR--MACHINED,AUTOS | 1 |
| 44 | 002343 | SCR TPG F PAN HD .250-20X.500L | 2 |
| 45 | 003361 | NUT,HEX LOCK-- 6-32,NYLOC | 8 |
| 46 | 026235 | CIRCUIT BOARD--DURASCRUB,36V | 1 |
| 47 | 004200 | WSHR FLT,.156ID.310OD.065T BRS | 8 |
| 48 | 046425 | SPACER,PHEN--.250X.437, .250L | 8 |
| 49 | 057309 | GASKET--.125x.500,8.656R | 1 |
| 50 | 057310 | GASKET--.125x.500,12.75L | 1 |
| 51 | 002382 | SCR TPG F PAN HD 10-10X.500L | 6 |
| 52 | 027157 | ASM,POTENTIOMETER--W/PLUG | 1 |
| 53 | 056596 | KNOB,PLASTIC--BLACK,.92DIA,X.95 | 1 |
| 54 | 026584 | STARTER-SWITCH-LOCKING | 1 |
| 55 | 057175 | LABEL--SAFETY INSTRUCTIONS,ENG | 1 |

AVAILABLE ASSEMBLIES

035127 ASM. INSTRUMENT PANEL--INCLUDES ITEMS 1, 2, 4, 5, 7-11, 40, 43-46

KA-33 BRUSH COVER ASSEMBLY



TM-1933

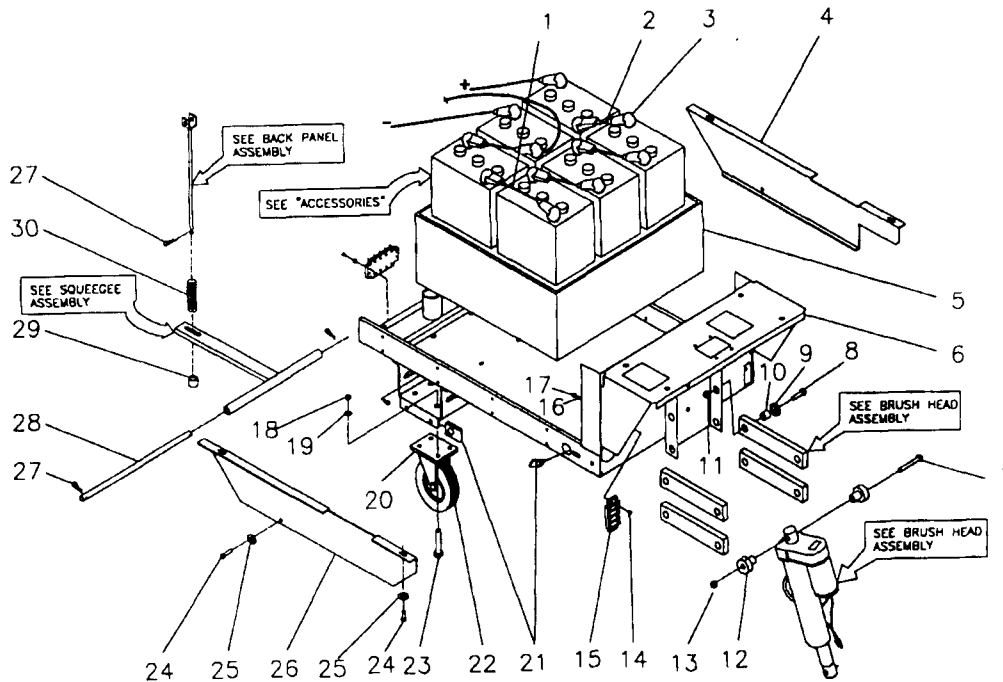
| DET | PART NO. | DESCRIPTION | QTY |
|-----|----------|--------------------------------|-----|
| 1 | 035115 | WDMT,BRUSH COVER-33 AUTO,LEFT | 1 |
| 2 | 054306 | CLAMP,TOGGLE-BLACK,1.62 LATCH | 1 |
| 3 | 005297 | WSHR LK .200ID.334OD.047TSPLT | 2 |
| 4 | 003279 | NUT,HEX-- 10-24,ZN PLT | 2 |
| 5 | 056491 | GUARD,SPLASH--.25X2.75.36.50L | 1 |
| 6 | 056493 | CHANNEL,RUBBER-BRUSH CVR,33,L | 1 |
| 7 | 005323 | WSHR FLT .203ID.500OD.036T STL | 4 |
| 8 | 005482 | SCR TPG F PAN HD 10-24X.875L | 28 |
| 9 | 052006 | STR,STL--.062X.437X1.50 LONG | 24 |
| 10 | 056492 | CHANNEL,RUBBER-BRUSH CVR,33,R | 1 |

| DET | PART NO. | DESCRIPTION | QTY |
|-----|----------|-------------------------------|-----|
| 11 | 056490 | GUARD,SPLASH--.25X2.75.41.50L | 1 |
| 12 | 035114 | WDMT,BRUSH COVER-33 AUTO,RT | 1 |
| 13 | 056673 | WHEEL,BLACK-5" OD | 1 |
| 14 | 056684 | SPACER,STL--.500X17GA.1.50L,Z | 1 |
| 15 | 056120 | BRACKET-BRUSH HEAD GUIDE | 1 |
| 16 | 005536 | SCR CAP SOC HD .375-16X2.00L | 1 |
| 17 | 002357 | SCR MACH PAN HD .250-20X.625L | 2 |
| 18 | 001288 | SCR MACH FLT HD 10-24X.500L | 2 |

AVAILABLE ASSEMBLIES

035124 ASM, BRUSH COVER, LEFT--INCLUDES ITEMS 9-18
 035125 ASM, BRUSH COVER, RIGHT--INCLUDES ITEMS 1-11

KA-33 FRAME ASSEMBLY

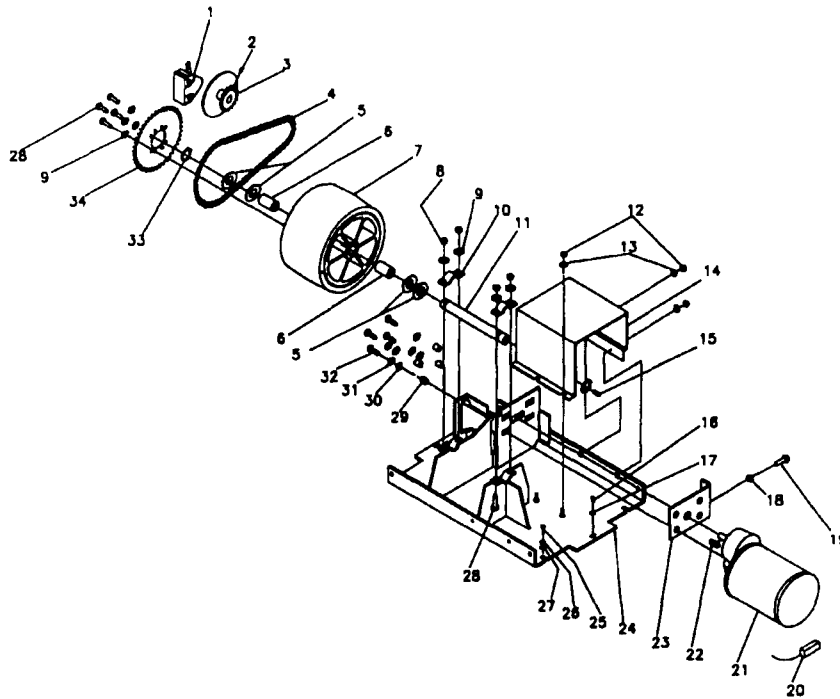


TM-1949

| DET | PART NO. | DESCRIPTION | QTY |
|-----|----------|--------------------------------|-----|
| 1 | 025274 | ASM,WIRE-- 6GA,BLK,14.0L,RINGS | 1 |
| 2 | 025085 | ASM,WIRE-- 6GA,BLK,10.2L,RINGS | 4 |
| 3 | 054186 | BOOT,INSULATOR--BATT TERMINALS | 12 |
| 4 | 056357 | SKIRT,LOWER--LEFT,DURASCRUB | 1 |
| 5 | 053534 | BOX,BATT--32" AUTO'S,MACHINED | 1 |
| 6 | 035089 | WDMT--UPPER CHASSIS | 1 |
| 7 | 003267 | SCR CAP HEX HD .375-16X2.75L | 1 |
| 8 | 003270 | SCR CAP HEX HD .500-13X1.25L | 4 |
| 9 | 004238 | WSHR FLT .531ID1.00OD.071T STL | 4 |
| 10 | 056473 | SPACER,STL--.531X.750, .218L,Z | 4 |
| 11 | 003370 | NUT,HEX LOCK--.500-13,ZN PLT | 4 |
| 12 | 054502 | BSHG,SLV--.377ID.498OB1.00FLNG | 2 |
| 13 | 005279 | NUT,HEX LOCK--.375-16,NYLOC | 1 |
| 14 | 005457 | SCR MACH PAN HD 10-24X1.00L | 8 |
| 15 | 026111 | TERMINAL BLOCK--4 TERM,50 AMP | 2 |

| DET | PART NO. | DESCRIPTION | QTY |
|-----|----------|--------------------------------|-----|
| 16 | 004253 | WSHR LK .204ID.410OD.025T EXT | 8 |
| 17 | 003279 | NUT,HEX-- 10-24,ZN PLT | 8 |
| 18 | 003293 | NUT,HEX--.375-16,ZN PLT | 8 |
| 19 | 004214 | WSHR LK .390ID.683OD.094TSPLT | 8 |
| 20 | 039563 | KIT,WHEEL&AXLE--FOR 055658 | 2 |
| 21 | 003429 | NUT,SPEED,U--.250-20,.58X1.125 | 4 |
| 22 | 055658 | CASTER,SWIVEL--5.0 DIA,700 LB | 2 |
| 23 | 003262 | SCR CAP HEX HD .375-16X1.00L | 8 |
| 24 | 002480 | SCR MACH PAN HD .250-20X.625L | 6 |
| 25 | 004254 | WSHR LK .267ID.510OD.028T EXT | 6 |
| 26 | 056358 | SKIRT,LOWER--RIGHT,DURASCRUB | 1 |
| 27 | 004352 | PIN,LOCK--.125 DIA WIRE | 3 |
| 28 | 056371 | SHAFT,STL--.375 DIA,14.62L | 1 |
| 29 | 056683 | SPACER,STL--.391X.625, .500L,Z | 1 |
| 30 | 056618 | SPRING,COMP .845D 3.50L .100WD | 1 |

KA-33 CHASSIS ASSEMBLY



TM-1958

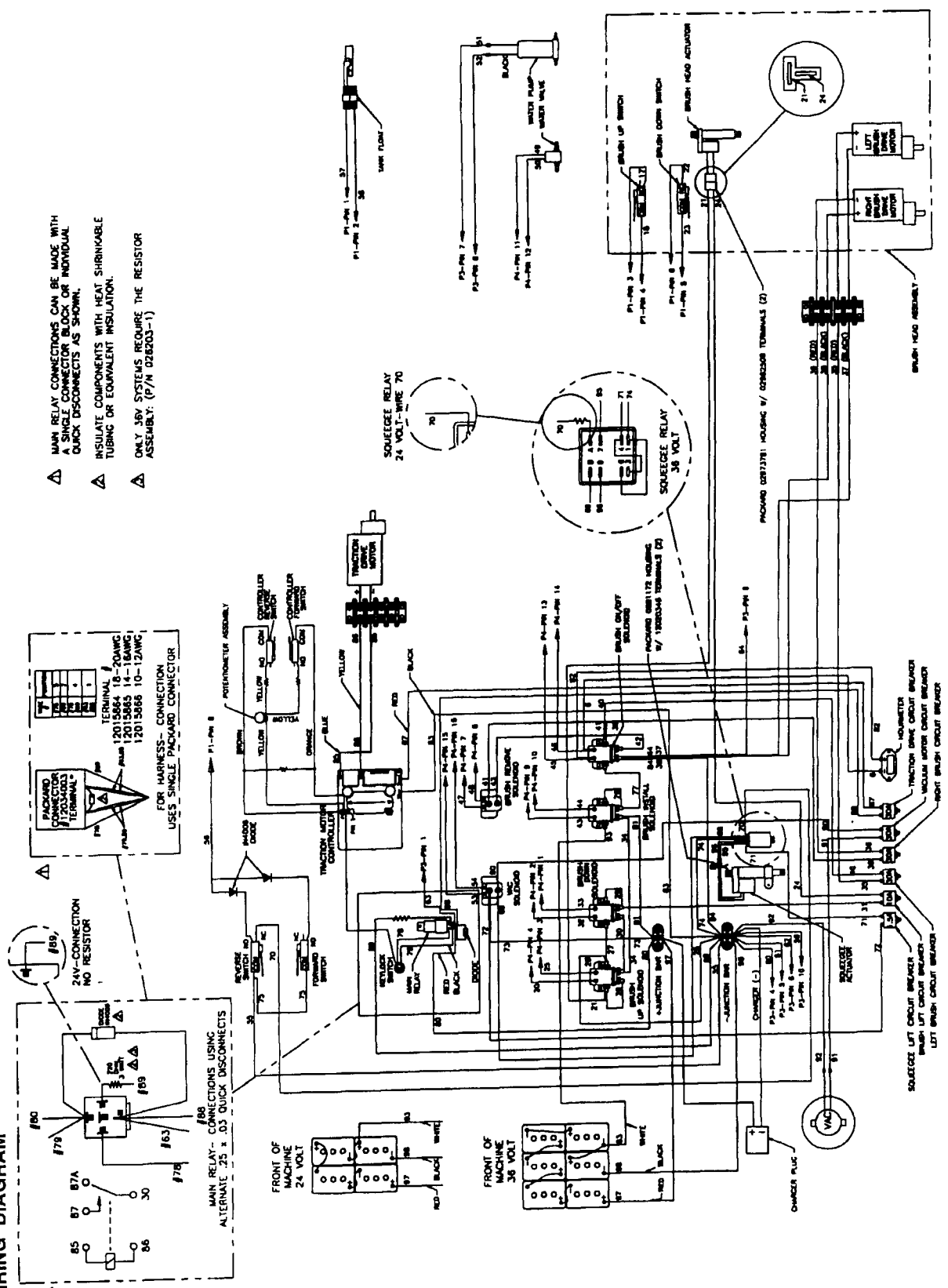
| DET | PART NO. | DESCRIPTION | QTY |
|-----|----------|--------------------------------|-----|
| 1 | 056245 | BRAKE,MECHANICAL--CALIPER | 1 |
| 2 | 002234 | SCR SET CUP PT .250-20X.500L | 1 |
| 3 | 035141 | WDMT,SPROCKET--DURASCRUB | 1 |
| 4 | 056448 | CHAIN,ROLLER--#40,70LK&CONN | 1 |
| 5 | 004330 | WSHR FLT 1.05ID1.50OD.036T STL | 4 |
| 6 | 027130 | BEARING,SLEEVE--1"ID,1.25"OD | 2 |
| 7 | 035097 | ASM,WHEEL--10"OD,AUTO'S | 1 |
| 8 | 003349 | NUT,HEX--.312-18,ZN PLT | 4 |
| 9 | 004212 | WSHR LK .326ID.586OD.078TSPLT | 8 |
| 10 | 056327 | CLAMP,AXLE--BLACK | 2 |
| 11 | 056258 | AXLE--1.00 DIA X 9-5/16"L | 1 |
| 12 | 003283 | NUT,HEX--.250-20,ZN PLT | 4 |
| 13 | 002278 | WSHR LK .262ID.489OD.062TSPLT | 4 |
| 14 | 056405 | COVER,MOTOR--AUTOMATICS | 1 |
| 15 | 054330 | ZERK,GREASE--.250-28 THREAD | 1 |
| 16 | 002480 | SCR MACH PAN HD .250-20X.625L | 2 |
| 17 | 004254 | WSHR LK .267ID.510OD.028T EXT | 2 |

| DET | PART NO. | DESCRIPTION | QTY |
|-----|----------|--------------------------------|-----|
| 18 | 003294 | NUT,HEX JAM--.375-16,ZN PLT | 1 |
| 19 | 002332 | SCR CAP HEX HD .375-16X1.75L | 1 |
| 20 | 039276 | BRUSH,MTR--FOR 024372&027153 | 4 |
| 21 | 024440 | ASM,MTR&GEAR UNIT--36V,W/RINGS | 1 |
| 22 | 045815 | KEY,SQUARE--.250 SQ.,.875 LONG | 1 |
| 23 | 035262 | WDMT,BRKT--TENSION,DRIVE MTR | 1 |
| 24 | 035088 | WELDMENT--LOWER CHASSIS | 1 |
| 25 | 003259 | SCR CAP HEX HD .375-16X.625L | 4 |
| 26 | 004215 | WSHR LK .398ID.694OD.040T EXT | 4 |
| 27 | 005320 | WSHR FLT .406ID.750OD.060T STL | 4 |
| 28 | 003244 | SCR CAP HEX HD .312-18X.750L | 8 |
| 29 | 056681 | SPACER,STL--.375X.625, 400L | 4 |
| 30 | 004384 | WSHR FLT .406ID.875OD.064T STL | 4 |
| 31 | 004214 | WSHR LK .390ID.683OD.094TSPLT | 4 |
| 32 | 003264 | SCR CAP HEX HD .375-16X1.25L | 4 |
| 33 | 048537 | RING,RTNG--EXT.,984 SHAFT,5160 | 2 |
| 34 | 051376 | SPROCKET,CHAIN--#40,.500P,.44T | 1 |

AVAILABLE ASSEMBLIES

035096 ASM, LOWER CHASSIS--INCLUDES ITEMS 1-32

WIRING DIAGRAM

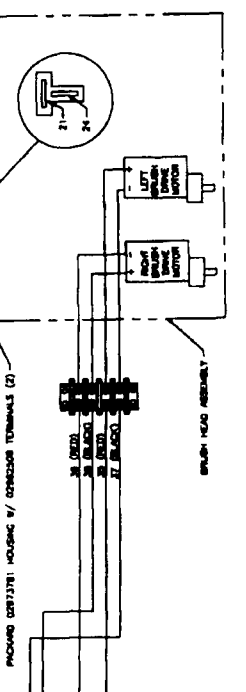
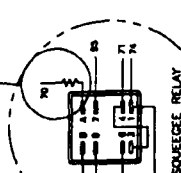
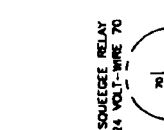
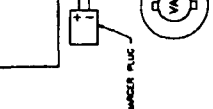
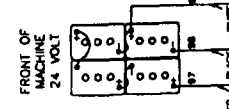
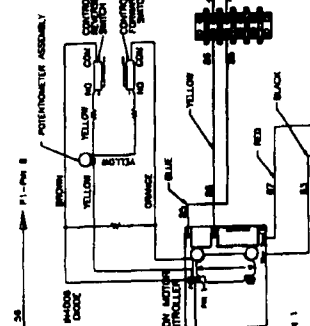
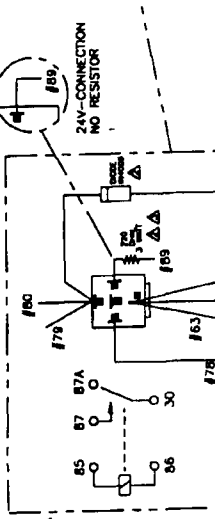


- ⚠ MAIN RELAY CONNECTIONS CAN BE MADE WITH A SINGLE CONNECTOR BLOCK OR INDIVIDUAL QUICK DISCONNECTS AS SHOWN.
- ⚠ INSULATE COMPONENTS WITH HEAT SHRINKABLE TUBING OR EQUIVALENT INSULATION.
- ⚠ ONLY 36V SYSTEMS REQUIRE THE RESISTOR ASSEMBLY: (P/N 028203-1)

PACKARD CONNECTOR / 72000003 TERMINAL

| | | | | |
|----|----|----|----|----|
| 1 | 2 | 3 | 4 | 5 |
| 6 | 7 | 8 | 9 | 10 |
| 11 | 12 | 13 | 14 | 15 |
| 16 | 17 | 18 | 19 | 20 |

FOR HARNESS- CONNECTION USES SINGLE PACKARD CONNECTOR





KENT

The Kent Company
2310 Industrial Parkway
P.O. Box 1665
Elkhart, IN 46515, U.S.A.
Telephone: (800) 334-1083
(219) 293-8661
Fax (219) 295-8610