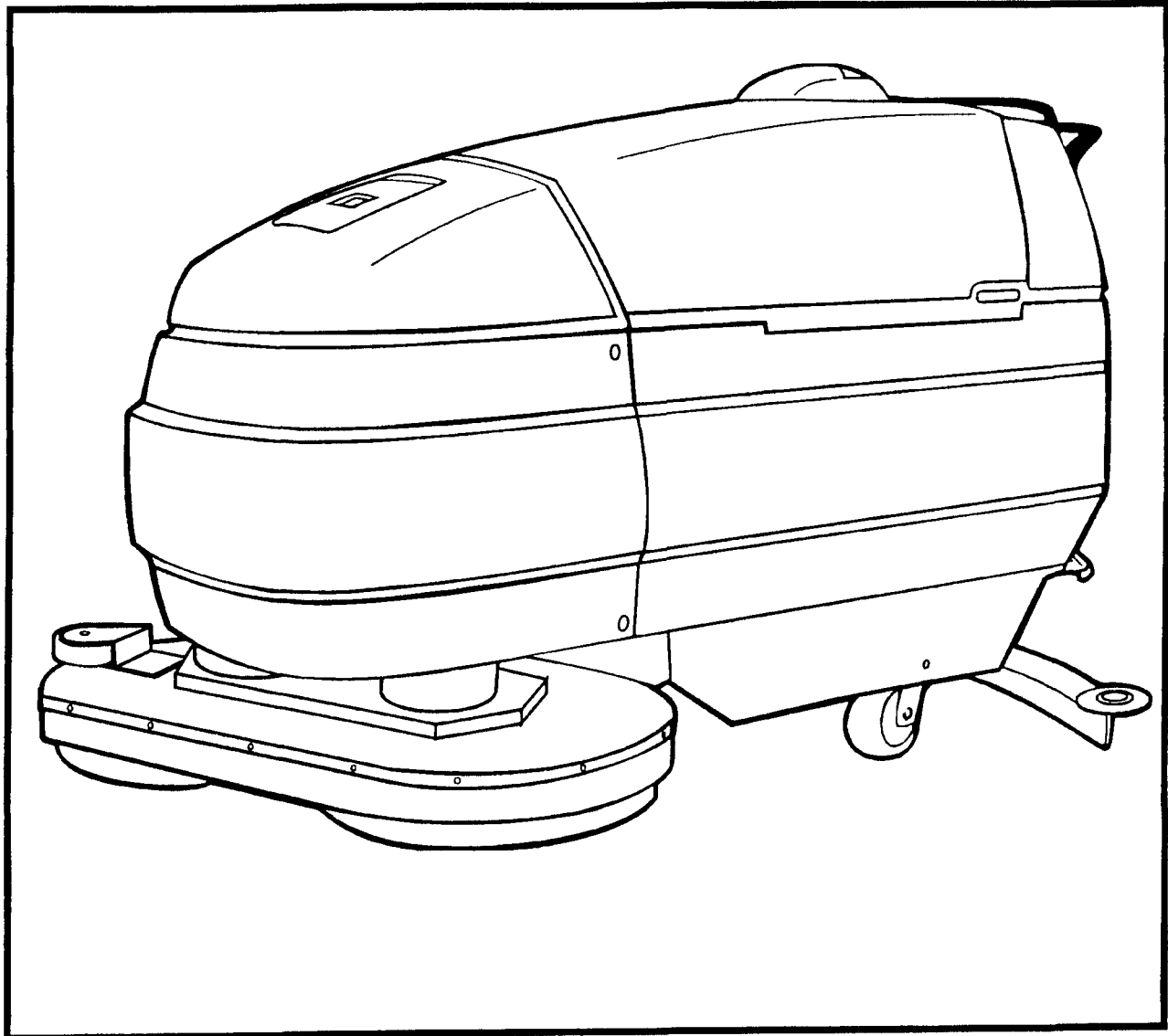




KENT

PARTS



KA-39SSA

Spare Parts List

TABLE OF CONTENTS

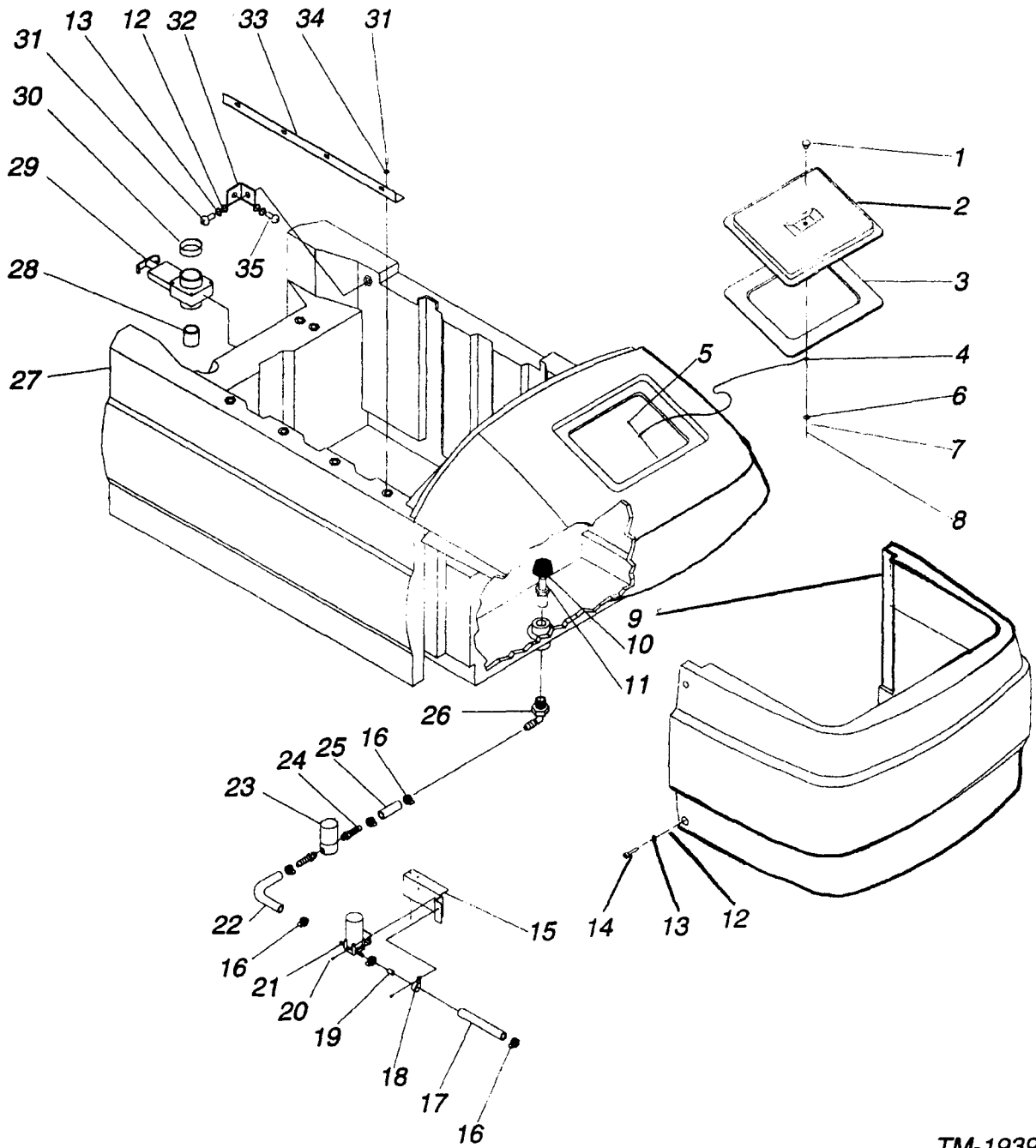
SOLUTION TANK ASSEMBLY.....	2-3
RECOVERY TANK ASSEMBLY.....	4-5
BACK PANEL ASSEMBLY.....	6-7
SQUEEGEE ASSEMBLY.....	8-9
BRUSH HEAD ASSEMBLY.....	10-11
REAR COVER ASSEMBLY.....	12-13
BRUSH COVER ASSEMBLY.....	14
FRAME ASSEMBLY.....	15
CHASSIS ASSEMBLY.....	16
WIRING DIAGRAM.....	17

RECOMMENDED SPARE PARTS

Recommended spare parts should be ordered and stocked to avoid possible downtime in case of failure, breakage, or normal wear.

<u>PART NO.</u>	<u>DESCRIPTION</u>	<u>QTY.</u>
035302	ASM, HOSE--SQUEEGEE, BLK, 22"L	1
035129	ASM, HOSE--TANK, BLK, 36"L	1
035179	ASM, HOSE--DUMP, 1.50 DIA., BLK, 40"L	1
039135	BRUSH, MTR--FOR 024360 MTR	2
039428	BRUSH, MTR--FOR 024373 VAC MTR	2
047484	KNOB	1
056428	RUBBER, SQUEEGEE--33" AUTO, FRONT	1
056429	RUBBER, SQUEEGEE--33" AUTO, REAR	1
056430	RUBBER, SQUEEGEE--33" AUTO, BACKUP	1
056466	GASKET, SQUEEGEE--.187 X 2, 9.75L	1
056793	FILTER, SCREEN--1.85ID, SS	1

KA-39SS SOLUTION TANK ASSEMBLY



TM-1939

KA-39SS SOLUTION TANK ASSEMBLY

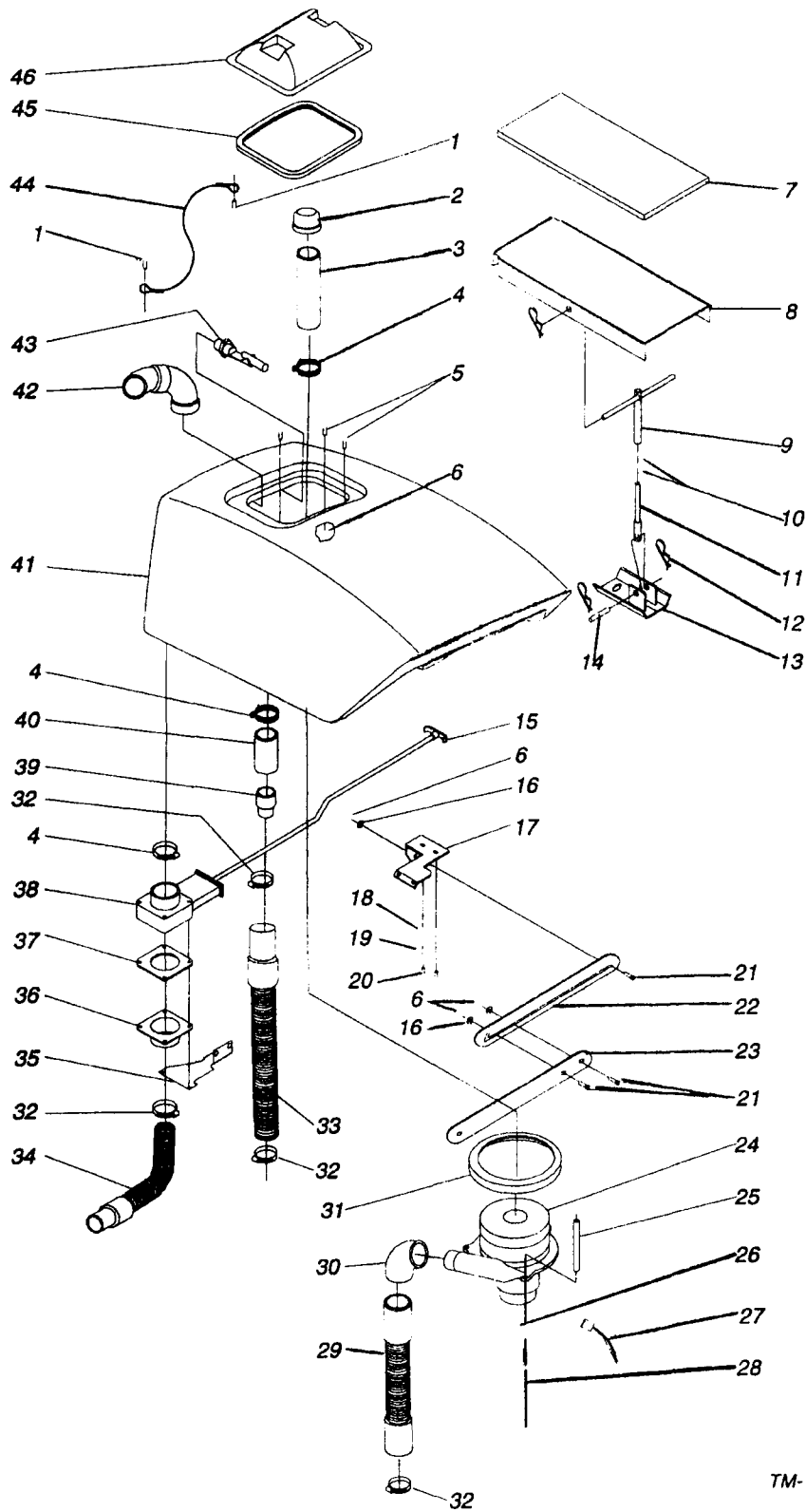
DET	PART NO.	DESCRIPTION	QTY
1	048022	KNOB,THUMB SCR--10-24,INT	1
2	056250	LID,TANK--DURASCRUB	1
3	056379	GASKET,FOAM--EXTR RECOVERY	1
4	053793	WIRE ROPE-- 062 DIA X 10 50L	1
5	002382	SCR TPG F PAN HD 10-10X 500L	1
6	005407	WSHR FLT 203ID 562OD 045T STL	1
7	004253	WSHR LK 204ID 410OD 025T EXT	1
8	005456	SCR MACH PAN HD 10-24X 500L	1
9	056648	COVER,FRONT--FLAME TREATED	1
10	057209	LINE STRAINER--80 MICRON,S S	1
11	051207	ADPTR,PP-HS--1/2MPTX3/8HS,PLS	1
12	004208	WSHR FLT 281ID 500OD 036T STL	4
13	004254	WSHR LK 267ID.510OD 028T EXT	4
14	002471	SCR CAP SOC HD-- 25-20X1 25 L	4
15	056659	BRACKET,WATER PUMP--	1
16	051581	CLAMP,HOSE-- 625 MAX DIA,WORM	6
17	054577	TUBE,VINYL-- 375X 625,14 62L,R	1
18	051474	CLAMP,LOOP-- 625 CLOSED ID,NYL	1

DET	PART NO.	DESCRIPTION	QTY
19	057688	SPACER,SS-- 106X 400, 500L	1
20	005316	SCR TPG F PAN HD 10-24X 375L	5
21	035257	ASM,PUMP--12V 1GPM	1
22	054293	TUBE,VINYL-- 375X 625 6 5L	1
23	027145	VALVE,SOLENOID--24V	1
24	054691	ADPTR,PP-HS--3/8MPTX3/8HS,BRS	2
25	057580-8	TUBE,VINYL-- 375X 625.5 0L,R	1
26	055523	ELBOW,PP-HS--1/2 MPTX3/8HS,NY	1
27	057802-1	TANK,SOLUTION--MACHINED,33/39	1
28	056593	TUBE,PLSTC--1 58-1 50 REDUCER	1
29	055070	VALVE,SLIDE--SHUTOFF,1 5PIPE,T	1
30	049999	CLAMP,HOSE--2 25 MAX DIA,WORM	1
31	223218	SCR CAP HEX HD 250-20X 625L	6
32	056857	BRACKET,ANGLE--11GA,1 50WIDE	2
33	056514	HINGE,BUTT--RS 056291,BLACK	1
34	004207	WSHR FLT 281ID 562OD 063T BRS	4
35	001514	SCR TPG F PAN HD 250-20X 375L	2

AVAILABLE ASSEMBLIES

035615 ASM. SOLUTION TANK--INCLUDES ITEMS 1-7, 11-18, 31-32, 36, 38-42

KA-39SS RECOVERY TANK ASSEMBLY



TM-1941

KA-39SS RECOVERY TANK ASSEMBLY

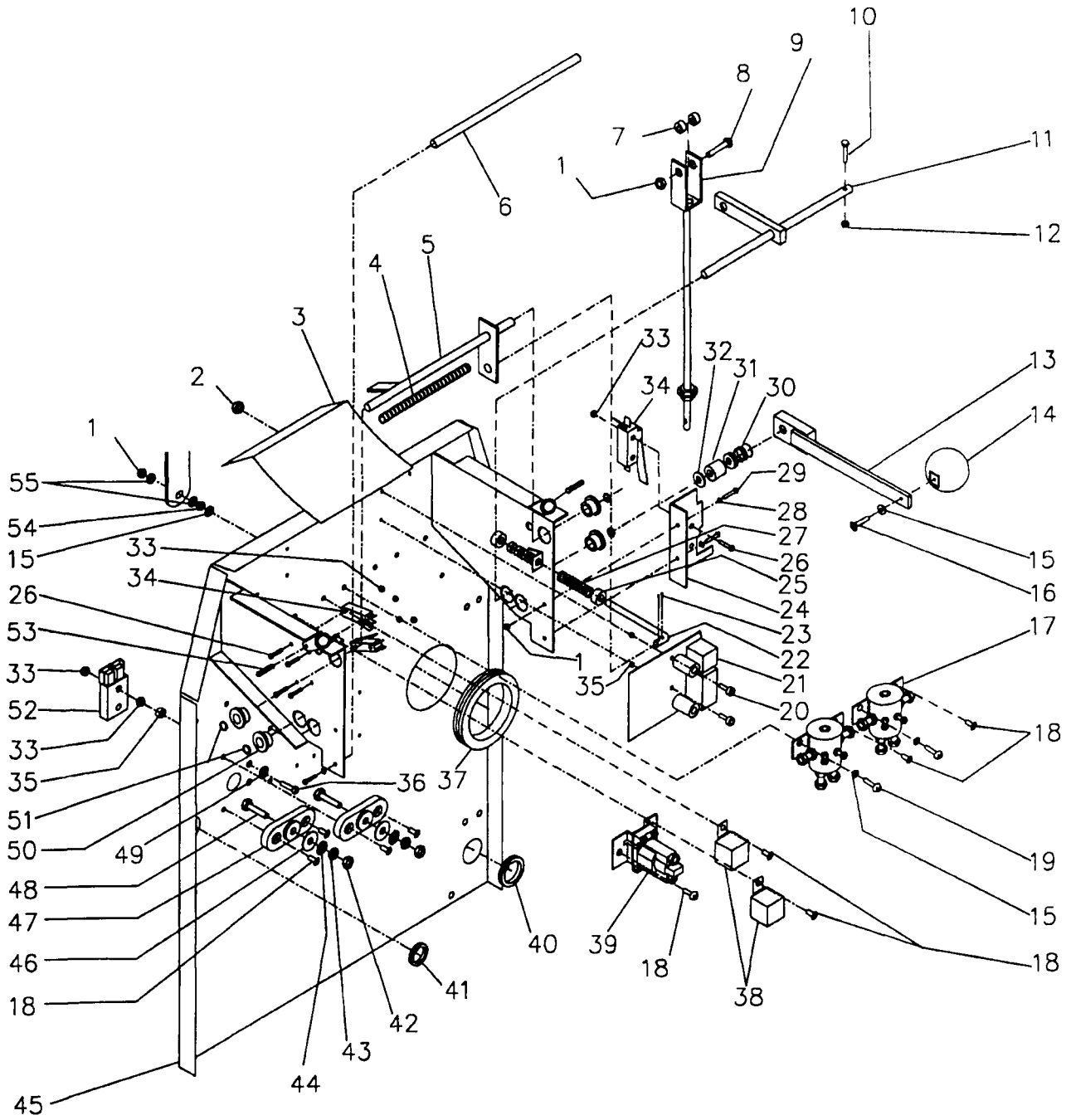
DET	PART NO.	DESCRIPTION	QTY
1	002382	SCR TPG F PAN HD 10-10X 500L	2
2	056793	FILTER,SCREEN-1 85ID,SS	1
3	055494	PIPE,PVC-1 50 SCH40 X 6 00L	1
4	049999	CLAMP,HOSE-2 25 MAX DIA,WORM	3
5	002491	SCR MACH FLT HD 10-24X1LSS	3
6	005480	NUT,HEX LOCK- 10-24,NYLOC	4
7	057076	GASKET,SUPPORT-33&39AUTO	1
8	057075	PLATE,STL-VAC TANK SUPPORT	1
9	035326	WDMT,SUPPORT-AUTOS	1
10	003438	NUT,HEX JAM- 375-16,SST	2
11	035327	WDMT,SUPPORT-REC TANK	1
12	004352	PIN,LOCK- 125 DIA WIRE	4
13	035365	WDMT,VAC TANK-SUPPORT,33&39	1
14	057026	PIN,STL-3/8"OD,SS	1
15	057187	HANDLE,SLIDE VALVE--SERVICE	1
16	005433	WSHR FLT 281ID 750OD 120T STL	6
18	005323	WSHR FLT 203ID 500OD 036T STL	2
19	004253	WSHR LK 204ID.410OD 025T EXT	2
20	001366	SCR MACH PAN HD 10-32X 500L	2
21	002429	SCR SHLDR SOC HD 10-24X.375 S	3
22	057508-02	BAR,STL-11GA,W/SLOT,PLATED	1
23	057505-02	BAR,STL-11GA,PLATED	1
24	035240	ASM,VAC MTR-36V,3-STAGE	1

DET	PART NO.	DESCRIPTION	QTY
25	056764	SPACER,PHEN-- 265X 500X3 156L	3
26	004254	WSHR LK 267ID 510OD 028T EXT	3
27	039428	BRUSH,MTR--FOR 024373 VAC MTR	2
28	223213	SCR CAP HEX HD 250-20X4 00L	3
29	035564	ASM,HOSE--BLK,CUFFS & ELBOW	1
30	056676	ELBOW,PIPE--RS 98402 CUT OFF	1
31	E23788B	RING-MOTOR MOUNTING	1
32	046688	CLAMP,HOSE--1 75 MAX DIA,WORM	4
33	035129	ASM,HOSE--TANK,1 50 DIA,BLK	1
34	035179	ASM,HOSE--DUMP,BLK,1,50 DIA	1
35	057671-05	BKT,STL-16GA TAML VALVE	1
36	035160	WDMT,DRAIN-RECOVERY TANK	1
37	054762	GASKET,FOAM- 187X2 87X2 87	1
38	057337	VALVE,SLIDE-33SS	1
39	053894	FITTING-REDUCER,1 66-1 50,PLS	1
40	056675	TUBE,PVC--AUTO	1
41	057297-1	TANK,REC--MACH'D,KA-33SS	1
42	056758	ASM,ELBOW--RECOVERY TANK	1
43	057002	SWITCH,FLOAT W/WIRE	1
44	056617	WIRE ROPE- 062DIA X6 00L	1
45	057890	GASKET- 375X 375X36 00L	1
46	057579	LID,DOMED--DURASCUB,CLEAR	1

AVAILABLE ASSEMBLIES

035431 ASM, RECOVERY TANK--INCLUDES ITEMS 1-15, 17-21, 24-35, 37-47

KA-39SS BACK PANEL ASSEMBLY



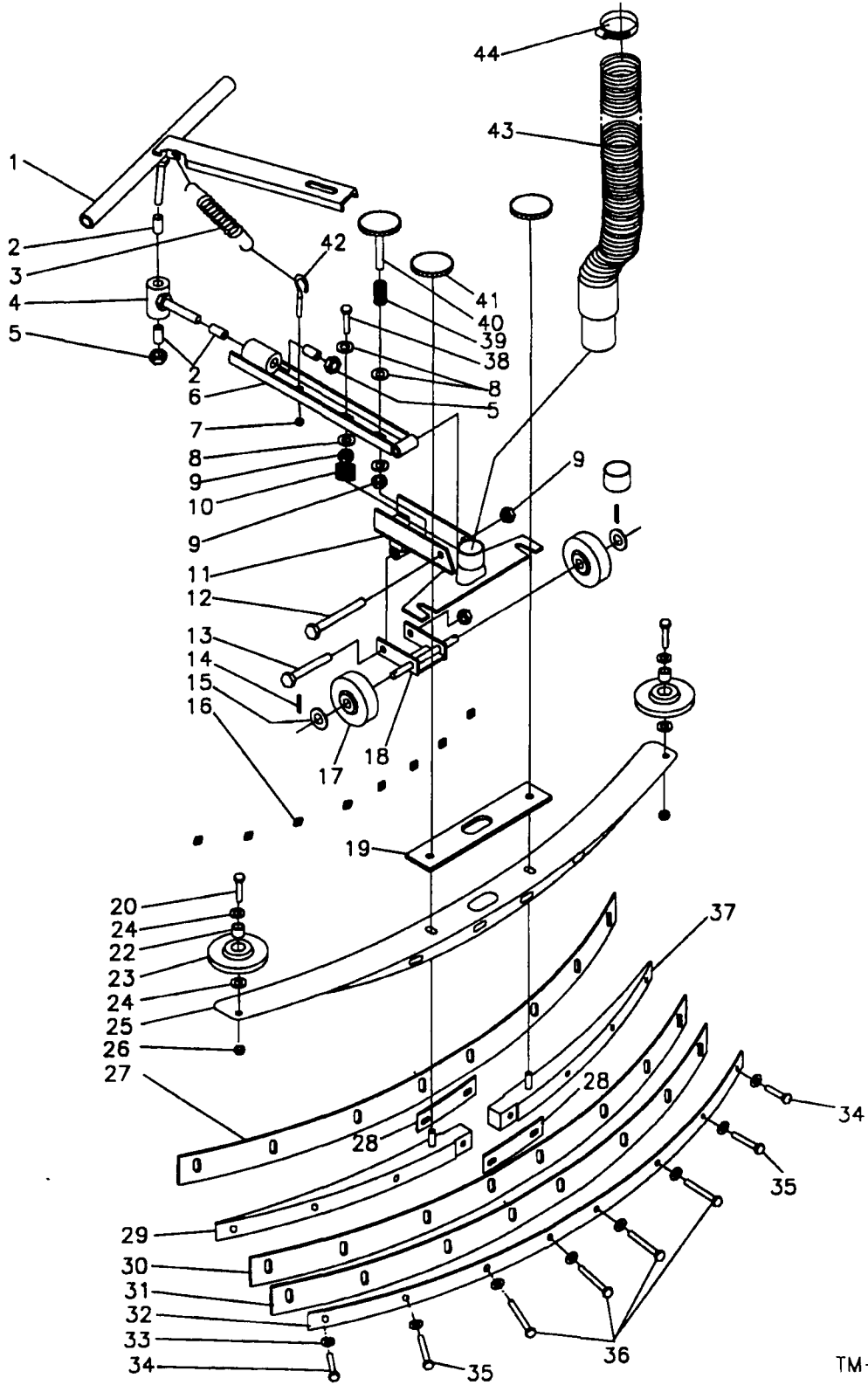
TM-1925

KA-39SS BACK PANEL ASSEMBLY

DET	PART NO.	DESCRIPTION	QTY
1	003363	NUT,HEX LOCK-- 250-20,ZN PLT	4
2	003415	NUT,HEX LOCK-- 8-32,NYLOC,ZN	2
3	026164	INSULATOR,ELEC--MYLAR,11 5X7	1
4	057176	TUBE,PLSTC--SLIT, 810DX11 0"L	1
5	035384	WDMT,SHAFT--ACTUATOR	1
6	057366	ROD,STL--SUPPORT,HNDL,KA-33SS	1
7	050872	SPACER,PHEN-- 250X 500, 375L	2
8	002273	SCR CAP HEX HD 250-20X1 75L	1
9	035459	ASM,SQUEEGEE LIFT--33SS	1
10	002495	SCR CAP SOC HD 10-24X1 25L	1
11	035486-02	WDMT,SQUEEGEE--27SS,PLATED	1
12	005480	NUT,HEX LOCK-- 10-24,NYLOC	1
13	035515-05	WDMT,HANDLE--SQUEEGEE,PAINTED	1
14	057391	HANDLE,BALL--ALUM,2.125 DIA	1
15	004254	WSHR LK 267ID 510OD 028T EXT	2
16	002480	SCR MACH PAN HD 250-20X 625L	1
17	026713	SOLENOID,DPDT--SWITCH,36V	2
18	001514	SCR TPG F PAN HD 250-20X 375L	12
19	002263	SCR MACH RD HD 250-20X1 25L	1
20	005410	SCR MACH RD HD 8-32X1 00L	2
21	027237	CONTROL--DC,AUTOS,CRTS,36V	1
22	053296	ROD,STL-- 312 DIA , 6 00 LONG	1
23	004297	PIN,COTTER-- 094X 750 LONG	2
24	057324-05	BRKT--ARM STOP,KA-33,PAINTED	1
25	048987	COLLAR-CENTERING SPRING	2
26	001248	SCR MACH RD HD 6-32X1 00L	6
27	056597	SPRING,COMP 480D 2 75L 045WD	2
28	002278	WSHR LK .262ID 489OD 062TSPLT	2

DET	PART NO.	DESCRIPTION	QTY
29	002247	SCR MACH RD HD 250-20X 625L	3
30	057388	SPRING,COMP 975D 88 L 112WD	1
31	057517	SPACER,NYLON-- 50ID, 710D, 39T	1
32	004238	WSHR FLT 531ID1 00OD 071T STL	3
33	003361	NUT,HEX LOCK-- 6-32,NYLOC	8
34	026603	SWITCH,LVR--SPDT,20A,125-250V	3
35	057428	SPACER,ALUM-- 187X 375, 375L	4
36	001497	SCR MACH RD HD 6-32X1 50L	2
37	054845	GROM--3 00ID,3 50MHD, 12PA	1
38	026180	RELAY,POWER--24VDC,40/30A,SPDT	2
39	026504	SOLENOID--SWITCH,SPNO,36VDC	1
40	056672	GROM--2"IDX2 44MHDX 12PA	1
41	055434	GROM--1 0ID,1 25MHD, 125PA	1
42	003472	NUT,HEX LOCK-- 312-18,NYLOC	2
43	003356	NUT,HEX JAM-- 312-18,ZN PLT	2
44	004444	WSHR LK 332ID 610OD 034T EXT	2
45	035463	WDMT,BACK PANEL--KA-33SS	1
46	004221	WSHR FLT 344ID1 00OD 036T STL	2
47	057872	INSULATOR--MAIN TERMINAL	2
48	003249	SCR CAP HEX HD 312-18X1 25L	2
49	004249	WSHR LK 150ID 320OD 022T EXT	2
50	027131	BRG,FLANGE-- 500ID 750OD 500W	4
51	004351	RING,RTNG--EXT, 500 SHAFT, "E"	4
52	027152	ASM,CHARGER PLUG--2 CNDCT	1
53	005624	PIN,ROLL-- 312 DIA,1 000L	2
54	222258	NUT,HEX-- 250-20,SS	1
55	005433	WSHR FLT 281ID 750OD 120T STL	2

KA-39SS SQUEEGEE ASSEMBLY



TM-1927

KA-39SS SQUEEGEE ASSEMBLY

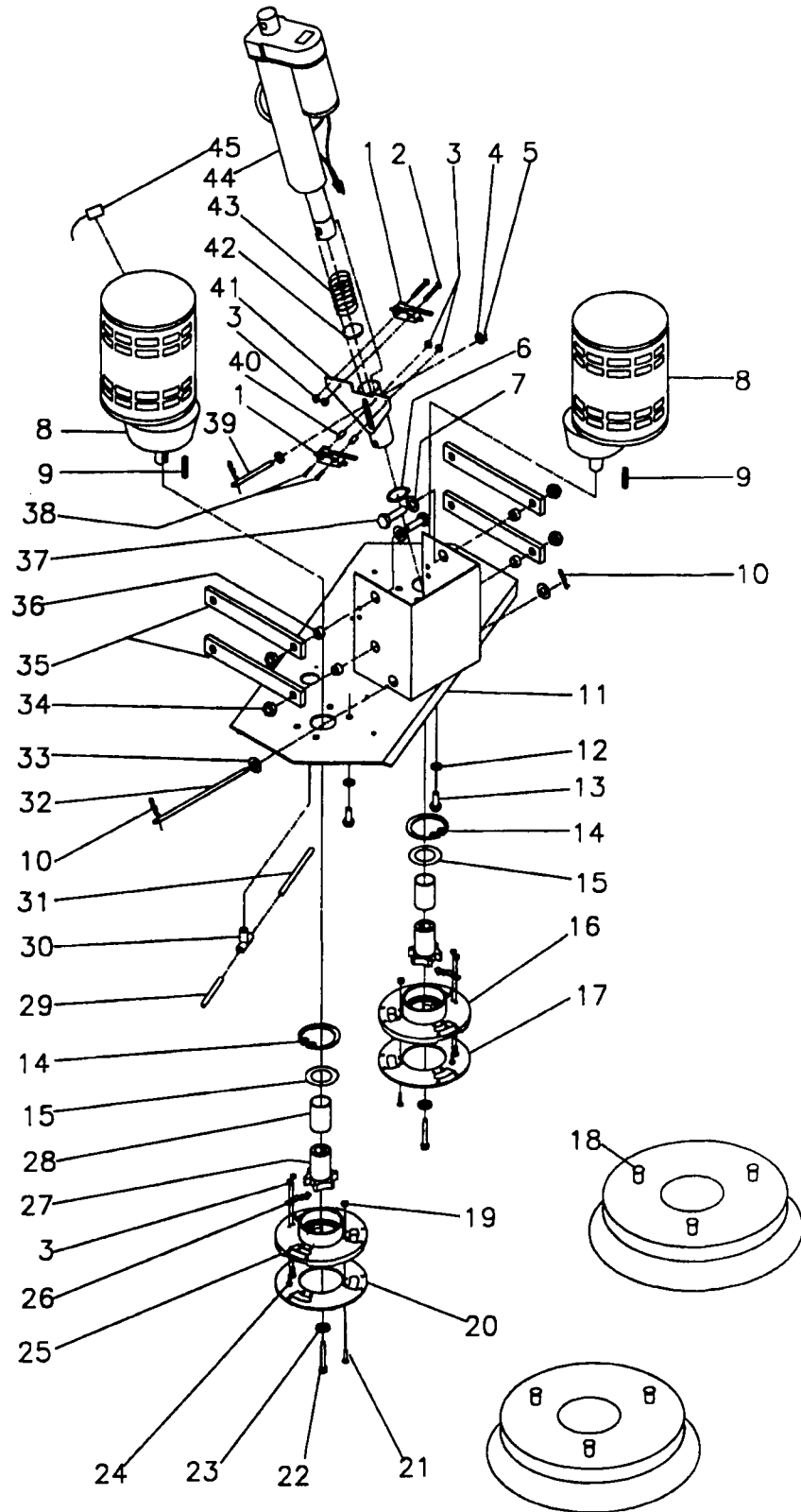
DET	PART NO.	DESCRIPTION	QTY
1	035310	WDMT,SQUEEGEE LIFT--27 AUTO	1
2	027171	BRG,SLV-- 500ID, 625OD, 750W	4
3	051136	SPRING,EXT 750D 2 92L 104WD	1
4	035150	WDMT,SQUEEGEE PIVOT--33&39AUTO	1
5	003370	NUT,HEX LOCK-- 500-13,ZN PLT	2
6	035137	WDMT,SQUEEGEE BAR--33&39 AUTOS	1
7	005479	NUT,HEX LOCK-- 250-20,NYLOC,ZN	1
8	005219	WSHR FLT 406ID1 00OD.071T STL	4
9	005279	NUT,HEX LOCK-- 375-16,NYLOC	4
10	056808	SPRING,COMP 970D 750L .072WD	1
11	035138	WDMT,SQUEEGEE BRACKET--33&39	1
12	002445	SCR CAP HEX HD 375-16-2 50L	1
13	003268	SCR CAP HEX HD 375-16X3 00L	1
14	005383	PIN,COTTER-- 094X1 000 LONG	2
15	004223	WSHR FLT 406ID 625OD 036T STL	2
16	005591	NUT,SELF RETAINING-- 250-20	8
17	057193	WHEEL,PLASTIC--3"OD,3/8"BORE	2
18	034172	WDMT,BRACKET--SQUEEGEE WHEEL	1
19	056466	GASKET,SQUEEGEE-- 187X2,9 75L	1
20	003249	SCR CAP HEX HD 312-18X1 25L	2
22	053699	SPACER,STL-- 312X 437, 43L	2
23	053720	WHEEL--4 00DIA, 438BORE, 688HB	2

DET	PART NO.	DESCRIPTION	QTY
24	004218	WSHR FLT 344ID 750OD 060T STL	4
25	035101	WELDMENT,SQUEEGEE--39"AUTO	1
26	003378	NUT,HEX LOCK-- 312-18,ZN PLT	2
27	056632	RUBBER,SQUEEGEE--FRT 39"AUTO	1
28	056461	CLAMP,SQUEEGEE--11GA.5 00L	2
29	056432	SPACER,SQUEEGEE--LEFT 39"AUTO	1
30	056633	RUBBER,SQUEEGEE--REAR,39 AUTO	1
31	056634	RUBBER,SQUEEGEE--BACKUP,39AUTO	1
32	056635	STRAP,SQUEEGEE--39"AUTO	1
33	004531	WSHR FLT .281ID 625OD 080T,SS	10
34	002454	SCR CAP HEX HD 250-20X1 50L	2
35	002476	SCR CAP HEX HD 250-20X2 00L	4
36	002455	SCR CAP HEX HD 250-20X2 50L	4
37	056431	SPACER,SQUEEGEE--RIGHT,39"AUT	1
38	002332	SCR CAP HEX HD 375-16X1 75L	1
39	056585	SPRING,COMP 845D 1 75L 085WD	1
40	035163	ASM,KNOB--ADJUSTMENT, 375-16	1
41	047484	KNOB,PLSTC--2 38OD 38-16THD	2
42	005594	BOLT,EYE-- 250-20 X1 0 SHANK	1
43	035302	ASM,HOSE--SQUEEGEE,1 5DIA,BLK	1
44	046688	CLAMP,HOSE--1 75 MAX DIA,WORM	1

AVAILABLE ASSEMBLIES

- 035099 ASM, SQUEEGEE--INCLUDES ITEMS 16, 19-37
 035140 ASM, SQUEEGEE LINKAGE--INCLUDES ITEMS 1-18, 38-41
 039567 SET, SQUEEGEE BLADE--INCLUDES ITEMS 27, 30, 31

KA-39SS BRUSH HEAD ASSEMBLY



TM-1929

KA-39SS BRUSH HEAD ASSEMBLY

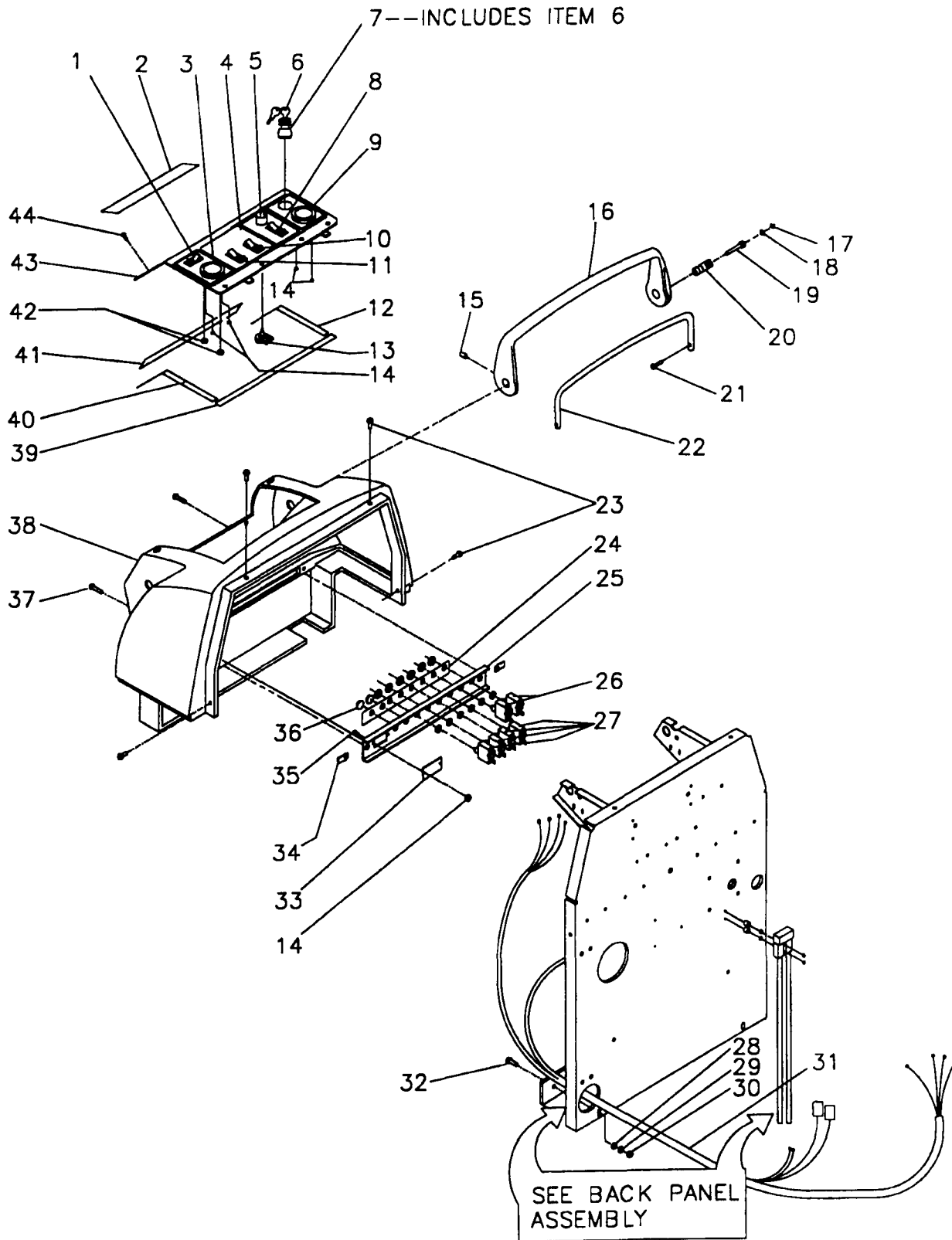
DET	PART NO.	DESCRIPTION	QTY
1	026603	SWITCH,LVR--SPDT,20A,125-250V	3
2	001489	SCR MACH RD HD 6-32X1 75L	2
3	003361	NUT,HEX LOCK-- 6-32,NYLOC	4
4	005227	WSHR FLT 531ID 875OD.036T STL	2
5	005200	PIN,COTTER-- 125X1 000 LONG	2
6	046762	RING,RTNG--INT,1 18 CYL,N5000	1
7	004238	WSHR FLT 531ID1 00OD 071T STL	4
8	024441	ASM,MTR&GEAR UNIT--1HP,W/RINGS	2
9	057663	KEY,SQUARE-- 250 SQ,1 437 LONG	2
10	004352	PIN,LOCK-- 125 DIA WIRE	2
11	035130	WDMT,BRUSH HEAD--39 DURASCRUB	1
12	004214	WSHR LK 390ID.683OD 094TSPLT	8
13	003262	SCR CAP HEX HD 375-16X1 00L	8
14	004529	RING,RTNG--INT,2.375 BORE	2
15	004548	WSHR FLT 1 770ID2.342OD.078T	2
16	056446	HUB,DRIVE--BRUSH,AUTOS,LEFT	1
17	057160	PLATE,SS--BRUSH MTG RING,LEFT	1
18	005630	LUG,BRUSH-- 250-20 THREAD	6
19	222224	NUT,HEX LOCK-- 10-24,ZN PLT	12
20	057159	PLATE,SS--BRUSH MTG RING,RIGHT	1
21	002473	SCR MACH FLT HD 10-24X 875L	12
22	002499	SCR CAP SOC HD 312-18X1 50L	2
23	005358	WSHR LK-- 326ID 586OD 078T SPL	2

DET	PART NO.	DESCRIPTION	QTY
24	001515	SCR MACH PAN HD 6-32X 500L	4
25	056447	HUB,DRIVE--BRUSH,AUTOS,RIGHT	1
26	056468	CLIP,RETAINING--BRUSH LUG	2
27	056445	SHAFT,DRIVE--BRUSH,AUTOS	2
28	056464	TUBE,SS--1 50OD,16GA,1 937L	2
29	057580-10	TUBE,VINYL-- 375X 625,5 3R,BLK	1
30	046944	TEE,HOSE--3/8X3/8X3/8 PLSTC	1
31	G755327	TUBE,VINYL-- 375X 625 14 00L,R	1
32	056474	SHAFT,STL-- 375DIA, 8 00L	1
33	005219	WSHR FLT 406ID1 00OD 071T STL	2
34	003370	NUT,HEX LOCK-- 500-13,ZN PLT	4
35	056254	BAR,STL-- 375X1 25, 9 00L	4
36	056473	SPACER,STL-- 531X 750, 218L,Z	4
37	003270	SCR CAP HEX HD 500-13X1 25L	4
38	005261	SCR MACH RD HD 6-32X1 25L	2
39	056155	PIN--ACTUATOR	1
40	046425	SPACER,PHEN-- 250X 437, 250L	2
41	035547-02	WDMT,ACTUATOR TUBE--BRUSH,PLTD	1
42	056639	PLATE,STL--13GA,1 125DIA	1
43	054427	SPRING,COMP 1 09D 2 50L 035WD	1
44	024368	ACTUATOR,DC--36V,500LBS,6IN	1
45	039276	BRUSH,MTR--FOR 024372&027153	8

AVAILABLE ASSEMBLIES

- 035493 ASM, BRUSH HEAD--INCLUDES ITEMS 1-51, 53
- 035212 ASM, SOLUTION LINE--INCLUDES ITEMS 23, 26-31
- 035131 ASM, DRIVE HUB, RIGHT--INCLUDES ITEMS 7, 35-45, 48, 51
- 035132 ASM, DRIVE HUB, LEFT--INCLUDES ITEMS 7, 35-38, 40-43, 45-48, 51

KA-39SS REAR COVER ASSEMBLY



TM-1946

KA-39SS REAR COVER ASSEMBLY

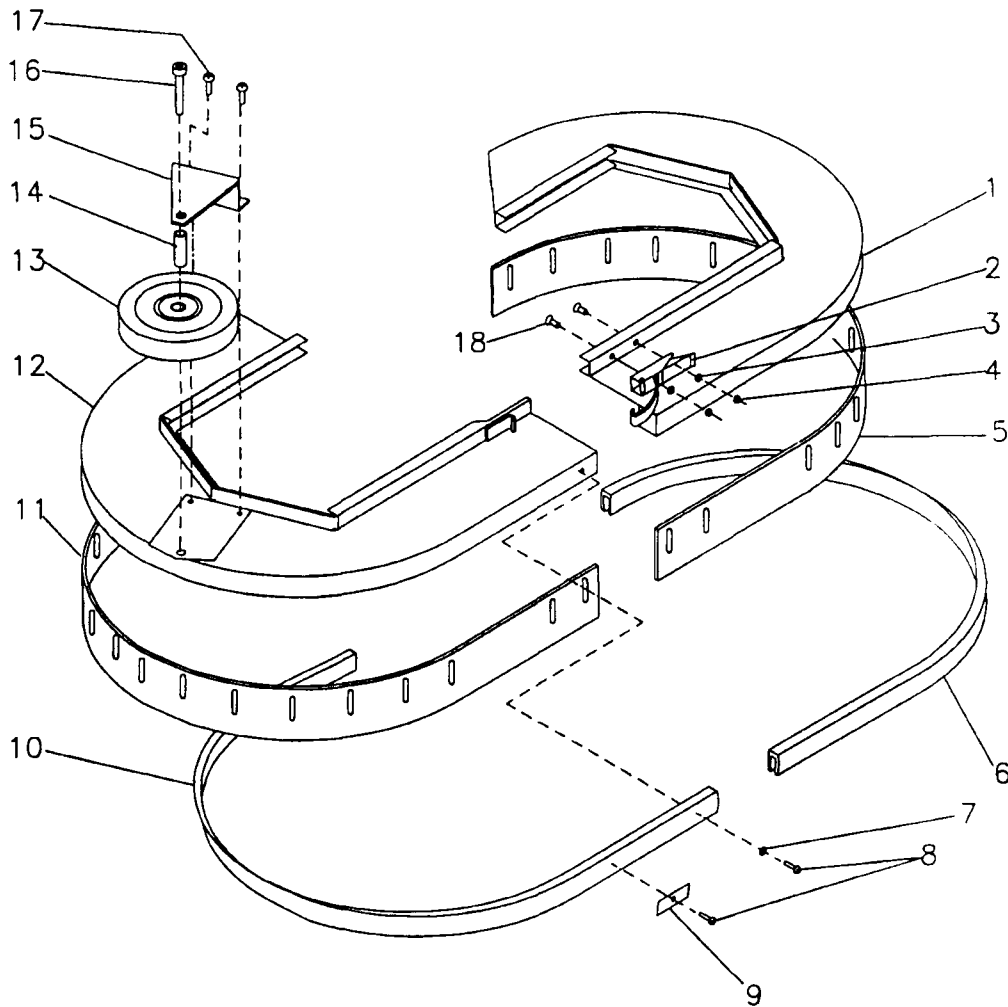
DET	PART NO.	DESCRIPTION	QTY
1	026046	SWITCH,RKR-DPDT	1
2	057836	LABEL-WARNING,AUTOMATICS	1
3	026131	AMMETER,DC-0-75A,ROUND,2.0DIA	1
4	057368	LABEL-INSTR PANEL,AUTO,SS	1
5	056596	KNOB,PLASTIC-BLACK, 92DIA X 95	1
6	057243	KEY,AUTOMATICS-FOR P/N 026584	1
7	026584	STARTER-SWITCH-LOCKING	1
8	026130	SWITCH,RKR-DPDT,ON/OFF/ON	1
9	027161	VOLTMETER-27-45 VDC, ROUND	1
10	026129	SWITCH,RKR-DPST,OFF/ON(ON)	1
11	027241	SWITCH,RKR-SPDT,ON/OFF MOMT	1
12	057308	GASKET- 125x.500,8 656L,LEFT	1
13	026243	POTENTIOMETER ASSEMBLY	1
14	003361	NUT,HEX LOCK- 6-32,NYLOC	6
15	005387	SCR SET CUP PT .312-18X 500L	2
16	056594	HANDLE,ACTUATOR-AUTOS,PAINTED	1
17	056761	RING,RTNG-INT, 500BORE,N5000	2
18	004208	WSHR FLT 281ID 500OD 036T STL	2
19	002337	SCR CAP SOC HD 250-20X1 50L	2
20	056359	SHAFT,STL- 750DIA,1 75L	2
21	005478	SCR MACH RD HD 250-20X 500L	2
22	056595	HANDLE,STL- 625DIA,PAINTED	1

DET	PART NO.	DESCRIPTION	QTY
23	001331	SCR TPG C PAN HD 10-24X 750L	4
24	057430	LABEL-CIRCUIT BREAKER,SS AUTO	1
25	056499	PANEL,CIRCUIT BREAKER-AUTOS	1
26	026751	CIRCUIT BREAKER-10AMP	2
27	026198	CIRCUIT BREAKER-30AMP,SCR TRM	4
28	004218	WSHR FLT 344ID 750OD 060T STL	2
29	004212	WSHR LK 326ID 586OD 078TSPLT	2
30	003349	NUT,HEX-- 312-18,ZN PLT	2
31	027172	HARNESS,WIRE--SS/BRUSH PAUSE	1
32	003244	SCR CAP HEX HD 312-18X 750L	2
33	057322-05	PLATE,STL-BREAKER PANEL,PAINT	1
34	003429	NUT,SPEED,U-- 250-20, 58X1 125	2
35	223188	SCR MACH PAN HD 6-32X 500L	2
36	057103	PLUG,DOME- 500DIA,BLK PLSTC	2
37	002248	SCR MACH RD HD 250-20X 750L	2
38	057362	COVER,REAR-MACH,AUTO,33&39SS	1
39	057306	GASKET- 125x 500,13 75L, TOP	1
40	057309	GASKET- 125x 500,8 656R	1
41	057310	GASKET- 125x 500,12 75L	1
42	005479	NUT,HEX LOCK-- 250-20,NYLOC,ZN	1
43	057343	PANEL,INSTR--SELECT SCRUB	1
44	002382	SCR TPG F PAN HD 10-10X 500L	6

AVAILABLE ASSEMBLIES

35465 ASM, INSTRUMENT PANEL-INCLUDES ITEMS 1, 4-5, 7-11, 15-16, 26, 28, 43-44

KA-39SS BRUSH COVER ASSEMBLY



TM-1933

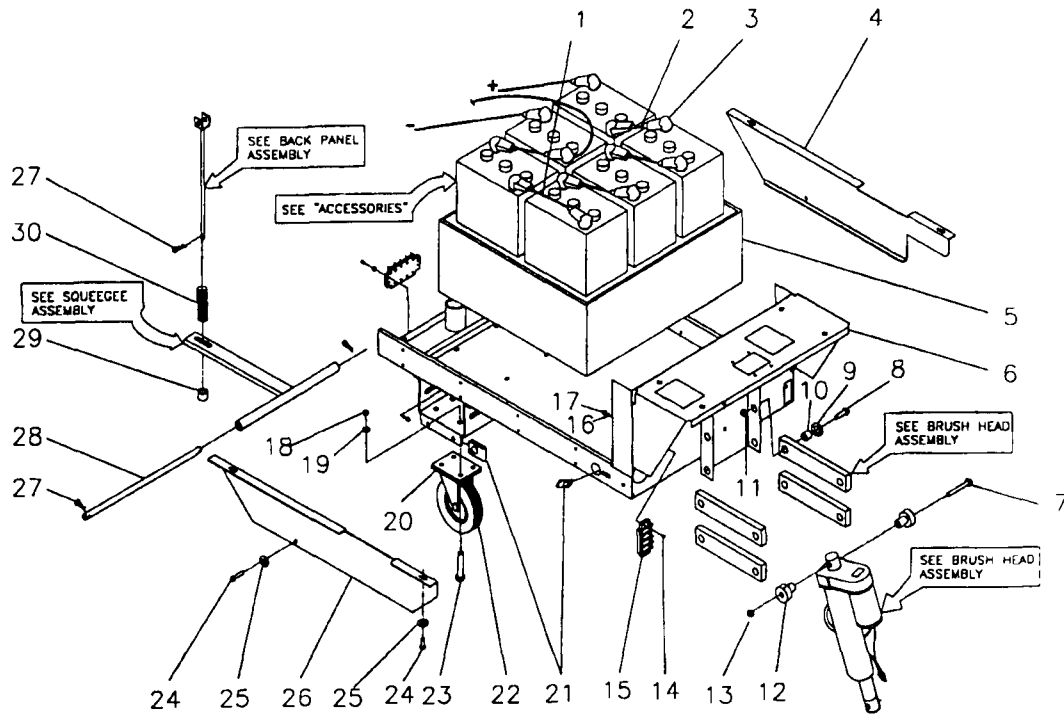
DET	PART NO.	DESCRIPTION	QTY
1	035113	WDMT,BRUSH COVER--39 AUTO,LEFT	1
2	054306	CLAMP,TOGGLE-BLACK,1 62 LATCH	1
3	005297	WSHR LK 200ID 334OD 047TSPLT	2
4	003279	NUT,HEX-- 10-24,ZN PLT	2
5	056668	GUARD,SPLASH-- 25X3 00,39,LEFT	1
6	056729	CHANNEL,RUBBER-BRUSH CVR,39,L	1
7	005323	WSHR FLT 203ID 500OD 036T STL	4
8	005482	SCR TPG F PAN HD 10-24X 875L	28
9	052006	STR,STL-- 062X.437X1 50 LONG	24
10	056731	CHANNEL,RUBBER-BRUSH CVR,39,R	1

DET	PART NO.	DESCRIPTION	QTY
11	056730	GUARD,SPLASH-- 25X3 00,39,RH	1
12	035112	WDMT,BRUSH COVER--39 AUTO,RT	1
13	056673	WHEEL,BLACK--5" OD	1
14	056684	SPACER,STL-- 500X17GA.1 50L,Z	1
15	056120	BRACKET-BRUSH HEAD GUIDE	1
16	005536	SCR CAP SOC HD 375-16X2 00L	1
17	002357	SCR MACH PAN HD 250-20X 625L	2
18	001288	SCR MACH FLT HD 10-24X 500L	2

AVAILABLE ASSEMBLIES

035213 ASM, BRUSH COVER, LEFT--INCLUDES ITEMS 9-18
 035214 ASM, BRUSH COVER, RIGHT--INCLUDES ITEMS 1-11

KA-39SS FRAME ASSEMBLY

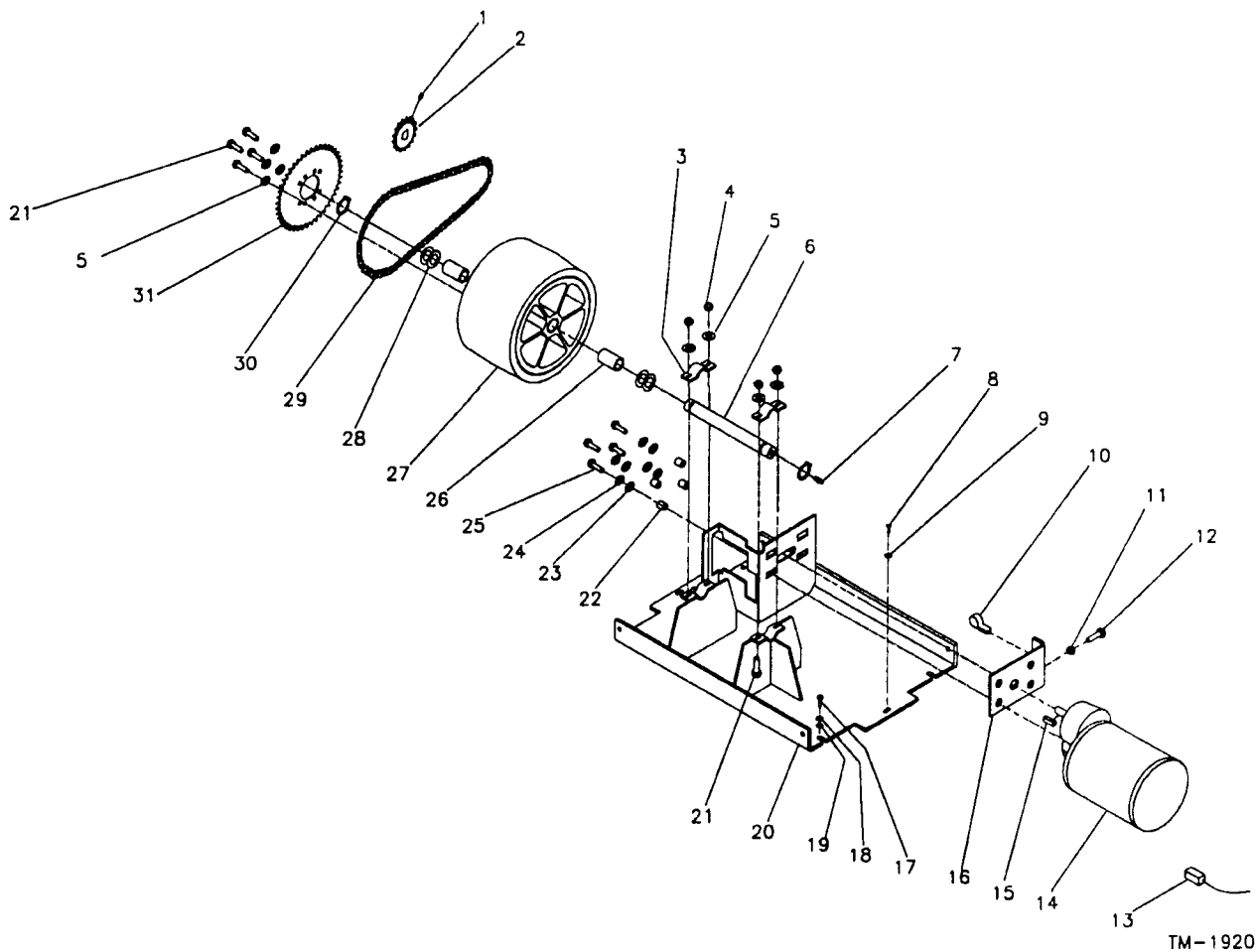


TM-1949

DET	PART NO.	DESCRIPTION	QTY
1	025274	ASM,WIRE-- 6GA,BLK,14 0L,RINGS	1
2	025085	ASM,WIRE-- 6GA,BLK,10 2L,RINGS	4
3	054186	BOOT,INSULATOR--BATT TERMINALS	12
4	056357	SKIRT,LOWER--LEFT,DURASCRUB	1
5	053534	BOX,BATT--32" AUTO'S,MACHINED	1
6	035089	WDMT--UPPER CHASSIS	1
7	003267	SCR CAP HEX HD 375-16X2 75L	1
8	003270	SCR CAP HEX HD 500-13X1 25L	4
9	004238	WSHR FLT 531ID1 00OD 071T STL	4
10	056473	SPACER,STL--.531X 750, 218L,Z	4
11	003370	NUT,HEX LOCK-- 500-13,ZN PLT	4
12	054502	BSHG,SLV-- 377ID 498OB1 00FLNG	2
13	005279	NUT,HEX LOCK-- 375-16,NYLOC	1
14	005457	SCR MACH PAN HD 10-24X1 00L	8
15	026111.	TERMINAL BLOCK--4 TERM,50 AMP	2

DET	PART NO.	DESCRIPTION	QTY
16	004253	WSHR LK 204ID 410OD 025T EXT	8
17	003279	NUT,HEX-- 10-24,ZN PLT	8
18	003293	NUT,HEX-- 375-16,ZN PLT	8
19	004214	WSHR LK 390ID 683OD 094TSPLT	8
20	039563	KIT,WHEEL&AXLE--FOR 055658	2
21	003429	NUT,SPEED,U-- 250-20, 58X1 125	4
22	055658	CASTER,SWIVEL--5 0 DIA,700 LB	2
23	003262	SCR CAP HEX HD 375-16X1 00L	8
24	002480	SCR MACH PAN HD 250-20X 625L	6
25	004254	WSHR LK 267ID 510OD 028T EXT	6
26	056358	SKIRT,LOWER--RIGHT,DURASCRUB	1
27	004352	PIN,LOCK-- 125 DIA WIRE	3
28	056371	SHAFT,STL-- 375 DIA,14 62L	1
29	056683	SPACER,STL-- 391X 625, 500L Z	1
30	056618	SPRING,COMP 845D 3 50L 100WD	1

KA-39SS CHASSIS ASSEMBLY



DET	PART NO.	DESCRIPTION	QTY
1	002234	SCR SET CUP PT 250-20X 500L	1
2	G741122	SPRKT,CHAIN-#40, 50P,11T, 75B	1
3	056327	CLAMP,AXLE-BLACK	2
4	003349	NUT,HEX- 312-18,ZN PLT	4
5	004212	WSHR LK 326ID 586OD 078TSPLT	8
6	056258	AXLE-1 00 DIA X 9-5/16"L	1
7	054330	ZERK,GREASE- 250-28 THREAD	1
8	002480	SCR MACH PAN HD 250-20X 625L	2
9	004254	WSHR LK 267ID 510OD 028T EXT	2
10	003429	NUT,SPEED,U- 250-20, 58X1 125	1
11	222226	NUT,HEX JAM- 250-20,ZN PLT	1
12	002454	SCR CAP HEX HD 250-20X1 50L	1
13	039276	BRUSH,MTR-FOR 024372&027153	4
14	G741124	TRAVERSE MOTOR-	1
15	045815	KEY,SQUARE- 250 SQ, 875 LONG	1
16	057833-05	BRACKET,TENSION-TRAC DRV,BLK	1

DET	PART NO.	DESCRIPTION	QTY
17	003259	SCR CAP HEX HD 375-16X 625L	4
18	004215	WSHR LK 398ID 694OD 040T EXT	4
19	005320	WSHR FLT 406ID 750OD 060T STL	4
20	035608-05	WDMT,BASE-36V MTR&WHEEL,AUTO	1
21	003244	SCR CAP HEX HD 312-18X 750L	8
22	050974	SPACER,STL- 281X 500, 41 LG	4
23	004462	WSHR FLT 250ID1 00OD 062T STL	4
24	002278	WSHR LK 262ID 489OD 062TSPLT	4
25	002254	SCR CAP HEX HD 250-20X 875L	4
26	027130	BEARING,SLEEVE--1"ID,1 25"OD	2
27	035097	ASM,WHEEL-10"OD,AUTO'S	1
28	004330	WSHR FLT 1 05ID1 50OD 036T STL	4
29	057899	CHAIN,ROLLER-#40,67LK & CONN	1
30	048537	RING,RTNG-EXT, 984 SHAFT,5160	2
31	051376	SPROCKET,CHAIN-#40 500P,44T	1

AVAILABLE ASSEMBLIES

035609-1 ASM, LOWER CHASSIS--INCLUDES ITEMS 1-31



KENT

The Kent Company
2310 Industrial Parkway
P.O. Box 1665
Elkhart, IN 46515, U.S.A.
Telephone: (800) 334-1083
(219) 293-8661
Fax (219) 295-8610